
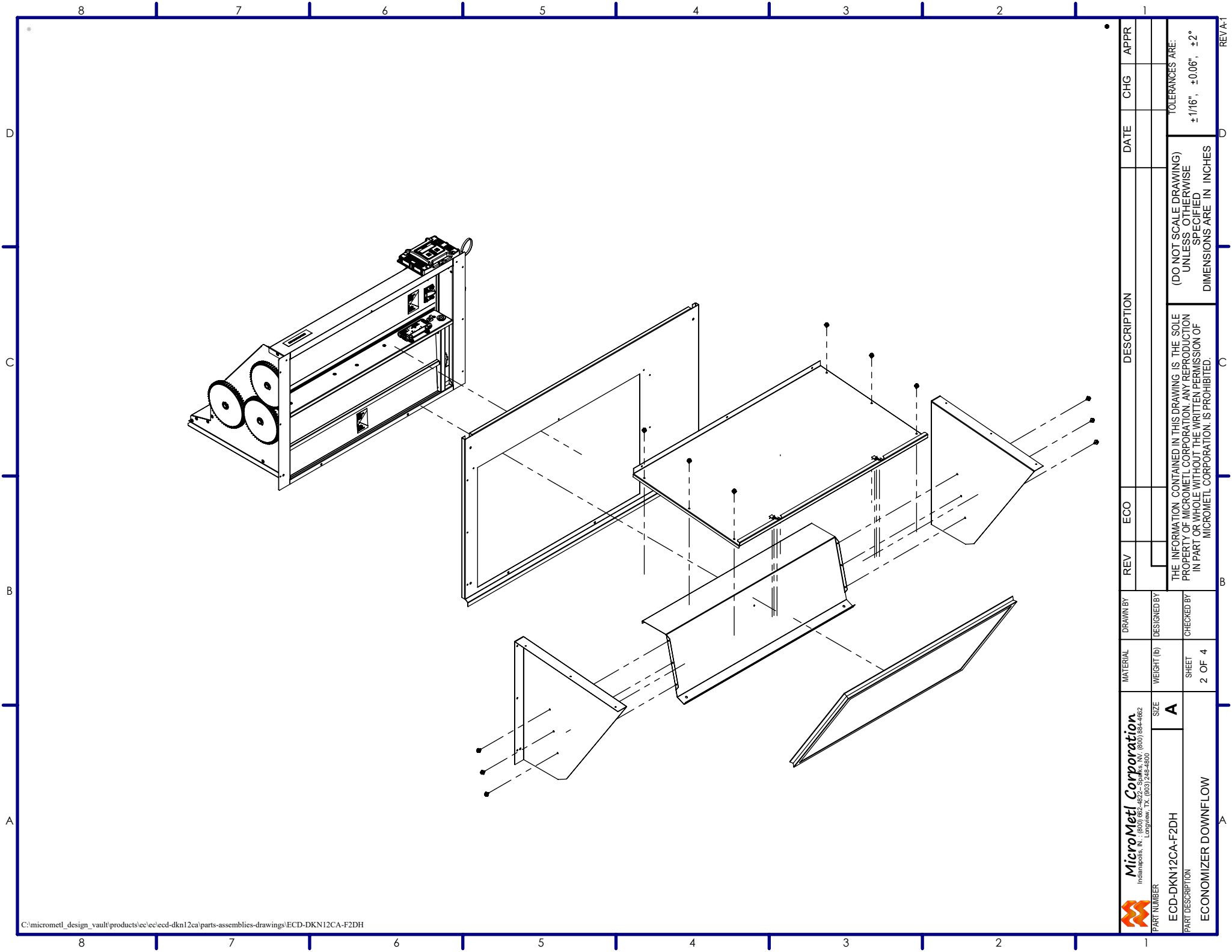



SHIPPING WEIGHT: 65 LBS.

 <b>MicroMetl Corporation</b> Indianapolis, IN (800) 882-4822 - Sparks, NV (800) 884-4862 Longview, TX (807) 240-4800		<b>PART NUMBER</b> ECD-DKN12CA-F2DH	<b>SIZE</b> A	<b>MATERIAL</b> REF-BOM WEIGHT (lb) 65	<b>DRAWN BY</b> JC	<b>DESIGNED BY</b> JC	<b>REV</b> C	<b>ECO</b>	<b>DESCRIPTION</b> MADE REV C UPDATES TO ASM PRINTS	<b>DATE</b> 05/13/19	<b>CHG</b>	<b>APPR</b> SM
THE INFORMATION CONTAINED IN THIS DRAWING IS THE SOLE PROPERTY OF MICROMETL CORPORATION. ANY REPRODUCTION IN PART OR WHOLE WITHOUT THE WRITTEN PERMISSION OF MICROMETL CORPORATION, IS PROHIBITED.												
(DO NOT SCALE DRAWING) UNLESS OTHERWISE SPECIFIED DIMENSIONS ARE IN INCHES												
TOLERANCES ARE: $\pm 1/16"$ , $\pm 0.06"$ , $\pm 2^\circ$												

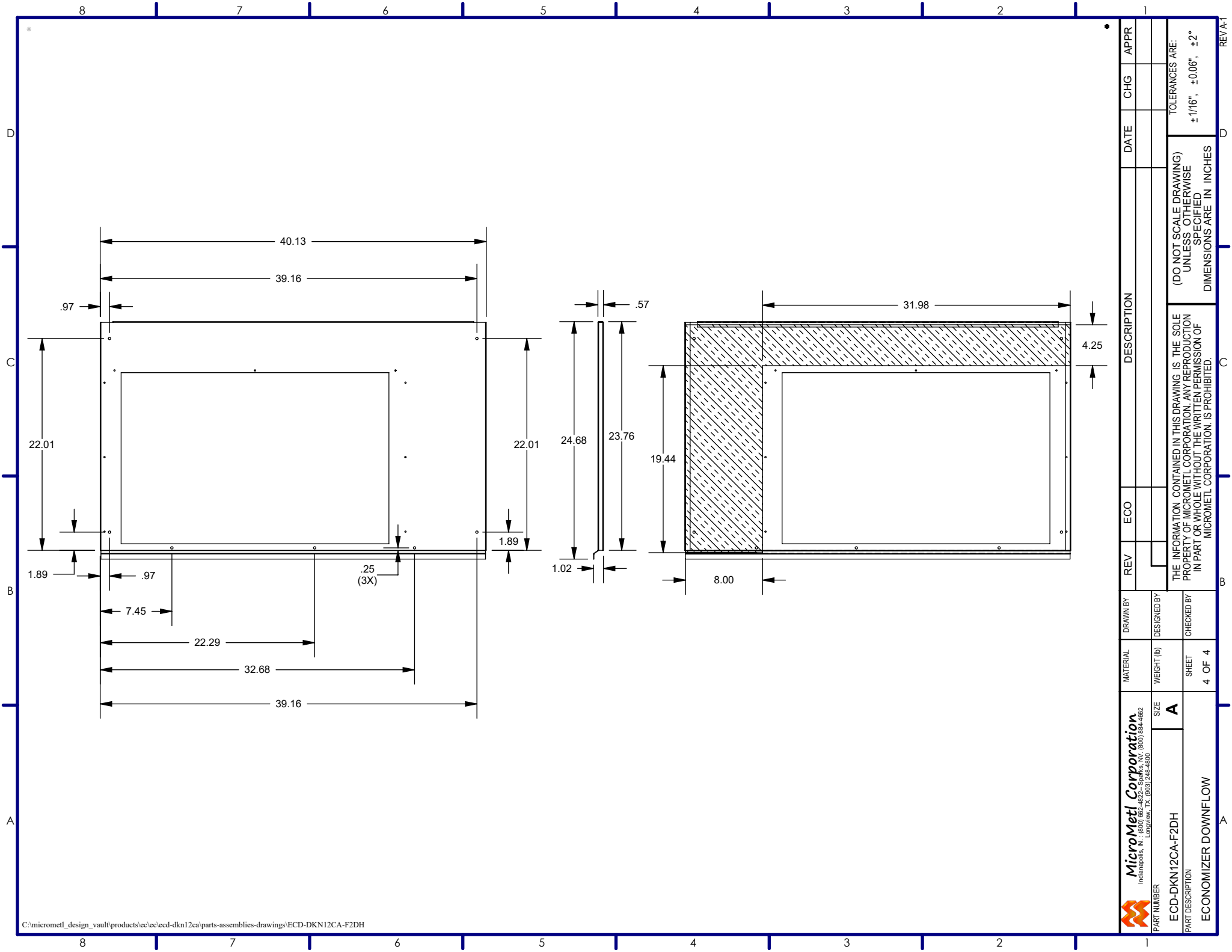
REV A-1




C:\micromet\_design\_vault\products\ec\ec\ecd-dkn12ca\parts-assemblies-drawings\ECD-DKN12CA-F2DH

 <b>MicroMet Corporation</b> Indianapolis, IN (800) 662-4822 - Sparks, NV (800) 884-4882 Longview, TX (937) 263-2800		DRAWN BY ECO REV	DESCRIPTION (DO NOT SCALE DRAWING) UNLESS OTHERWISE SPECIFIED DIMENSIONS ARE IN INCHES	DATE CHG APPR
PART NUMBER <b>ECD-DKN12CA-F2DH</b>	MATERIAL WEIGHT (lb) SIZE <b>A</b>	DESIGNED BY CHECKED BY	THE INFORMATION CONTAINED IN THIS DRAWING IS THE SOLE PROPERTY OF MICROMET CORPORATION. ANY REPRODUCTION IN PART OR WHOLE WITHOUT THE WRITTEN PERMISSION OF MICROMET CORPORATION, IS PROHIBITED.	TOLERANCES ARE: $\pm 1/16"$ , $\pm 0.06"$ , $\pm 2"$
SHEET <b>2 OF 4</b>		PART DESCRIPTION <b>ECONOMIZER DOWNFLOW</b>		REV A-1





 <b>MicroMetl Corporation</b> Indianapolis, IN (800) 662-4822 - Sparks, NV (800) 884-4882 Leprmw, TX (803) 293-8800		PART NUMBER <b>ECD-DKN12CA-F2DH</b>	PART DESCRIPTION <b>ECONOMIZER DOWNFLOW</b>	SIZE <b>A</b>	MATERIAL 	WEIGHT (lb) 	SHEET <b>4 OF 4</b>	DRAWN BY 	DESIGNED BY 	CHECKED BY 	REV 	ECO 	DESCRIPTION 	DATE 	CHG 	APPR 
THE INFORMATION CONTAINED IN THIS DRAWING IS THE SOLE PROPERTY OF MICROMETL CORPORATION. ANY REPRODUCTION IN PART OR WHOLE WITHOUT THE WRITTEN PERMISSION OF MICROMETL CORPORATION, IS PROHIBITED.												TOLERANCES ARE: $\pm 1/16"$ , $\pm 0.06"$ , $\pm 2"$		(DO NOT SCALE DRAWING) UNLESS OTHERWISE SPECIFIED DIMENSIONS ARE IN INCHES		

REV A-1