



Date:

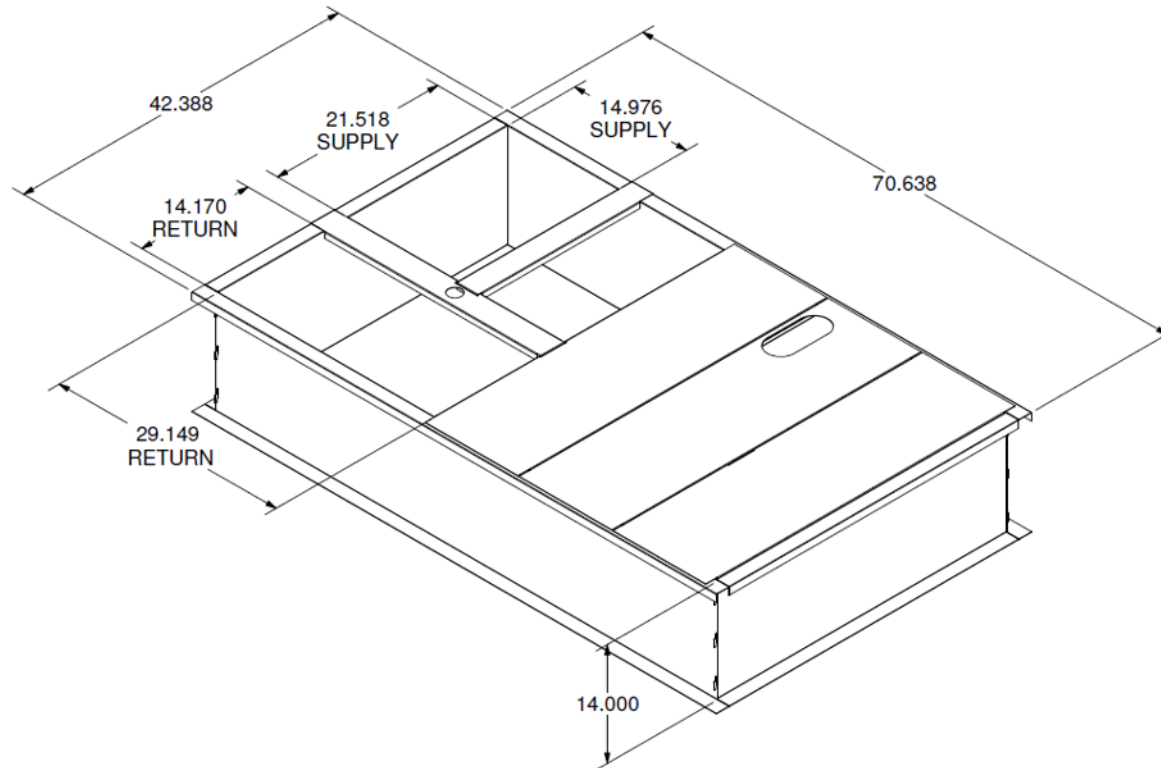
Specification Sheet for Daikin Small Cabinet 3 to 6 Ton
14" Roof Curb

Part Number:
Daikin PN: 0221L00014
MicroMetl PN: CRBK-DKN12SA-1411

Submitted To:

Job:

Notes:



Notes:

1. Roof curb ships knocked down for field assembly. Package includes plastic corrugated end caps.
2. Curb includes wood nailer, attached to curb sides and ends, and gasket package shipped inside of curb package.
3. Deck pans include 1" – 1.5 lb. density insulation.
4. Curb sides and ends are constructed of 18 gauge galvanized steel.

Product Operating Weight:

80 Lbs

The Information contained in this drawing is the sole property of MicroMetl Corporation. Any reproduction in part or whole without the written permission of MicroMetl Corporation is prohibited.