

2023 Standard Efficiency Gas/Electric Direct-Drive Packaged Rooftop Unit 3-6 Ton DFG Light Commercial

3-5 TON - 13.4 SEER2/11.0 EER2

3-5 TON - 14.0 SEER/11.5 EER

6 TON - 15.5 IEER/11.2 EER



*Complete warranty details available from your local distributor or manufacturer's representative or at www.daikincomfort.com or www.daikinac.com



Our Perfect Package:

Harnessing energy-efficient performance, proven technology, and enhanced comfort for life.

Since becoming the first company in Japan to manufacture packaged air conditioning systems, in 1951, Daikin has supported comfortable indoor living based on the strengths and technologies that have led to the growth of the company becoming one of the world's largest manufacturers of HVAC products, systems and refrigerants.

Today, as a comprehensive global manufacturer of HVAC products and systems, the Daikin brand is committed to being recognized as a truly global and excellent company capable of continually creating new value for its customers. The company plans to pursue sustainable growth and foster business operations that consistently harmonize with the goals of improving indoor comfort.

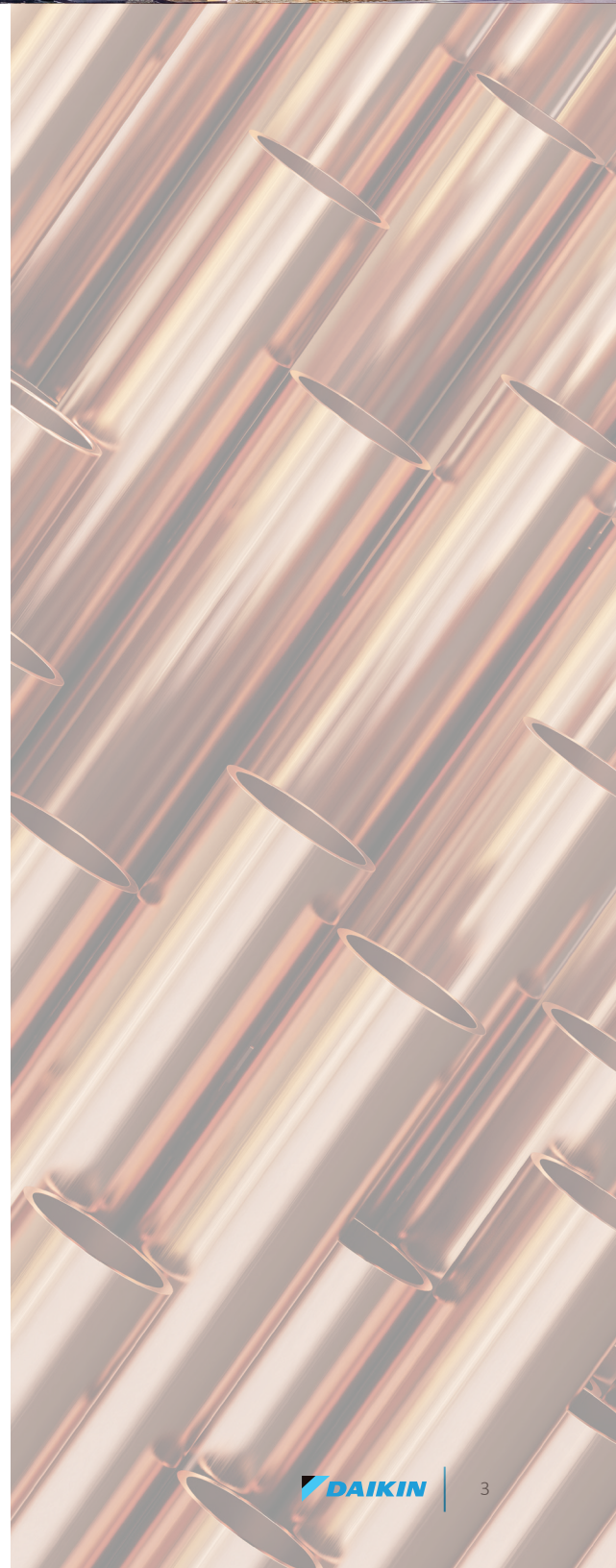
The group philosophy of the company includes:

- » Creating new value continuously for customers
- » Developing world leading energy-saving technology
- » Being a flexible and dynamic organization
- » Allowing employees to be the driving force for the success of the company
- » Fostering an atmosphere of best practices, boldness, and innovation
- » Thinking and acting globally



Contents

2	Introduction	2
4	Nomenclature	4
5	Features and Benefits	5
	Applications	8
	Serviceability	8
9	Product Specifications	9
	Coil Dimensions	23
	AHRI Ratings	23
	Sound Data	23
24	Expanding Cooling Data	24
32	Heating Data	32
34	Air Flow	34
119	Static Pressure	119
120	Electrical Data	120
124	Wiring Diagrams	124
133	Dimensional Data	133
134	Electrical Connections	134
	Unit Clearances	134
135	Installation	135
	Weights	136



Nomenclature

	D	F	G	036	3	S	045	C	A	A	X	X	X	X	X	X	X	X	A	*
	1	2	3	4,5,6	7	8	9,10,11	12	13	14	15	16	17	18	19	20	21	22	23	24
Brand	D Daikin																			
Configuration	B Base Efficiency F 2023 Standard Efficiency R High Efficiency																			
Application	C Cooling G Gas/Electric H Heat Pump																			
Nominal Cooling Capacity	036 3 Tons 090 7½ Tons 180 15 Tons 048 4 Tons 102 8½ Tons 210 17½ Tons 060 5 Tons 120 10 Tons 240 20 Tons 072 6 Tons 150 12½ tons 300 25 Tons																			
Voltage	1 208-230/1/60 4 460/3/60 3 208-230/3/60 7 575/3/60																			
Supply Fan/Drive Type/Motor	D Direct Drive - Standard Static C Belt-Drive - High Static B Belt-Drive - Standard Static S 2-speed Belt Drive - High Static V 2-speed Belt Drive - Standard Static L Direct Drive -Medium Static W Direct Drive - High Static																			
Nominal Heating Capacity	Gas/Electric A/C Factory-installed Electric Heat 045 45,000 BTU/h XXX No Heat XXX No Heat 060 60,000 BTU/h 005 5kW 022 20 kW 070 70,000 BTU/h 006 5kW 023 20 kW 080 80,000 BTU/h 010 10 kW 030 30 kW 090 90,000 BTU/h 011 10 kW 031 30 kW 100 100,000 BTU/h 015 15 kW 032 30 kW 115 115,000 BTU/h 016 15 kW 045 45kW 125 125,000 BTU/h 017 15 kW 046 45kW 130 130,000 BTU/h 018 18 kW 060 60kW 140 140,000 BTU/h 020 20 kW 075 75kW 150 150,000 BTU/h 021 20 kW 180 180,000 BTU/h 210 210,000 BTU/h 225 225,000 BTU/h 240 240,000 BTU/h 350 350,000 BTU/h 400 400,000 BTU/h																			
Refrigeration Systems	A Single stage cooling modes C Two stage cooling modes F Two stage cooling modes with Hot Gas Reheat and Low-ambient control																			
Heat Exchanger	X No options A Standard Aluminized Exchanger S Stainless Steel Exchanger U Ultra Low NoX Stainless Steel Exchanger																			
Controls	A Electro-mechanical controls B DDC w/ BACnet interface																			
Revision Levels	Major & Minor																			
PE Connection	X No Options B Single-point power connection for Power Exhaust																			
IAQ	X No Options																			
Service Options	X No Option A Powered convenience outlet B Non-powered convenience outlet C Hinge Panels D Hinged Panels and Powered convenience outlet E Hinged Panels and non-powered convenience outlet																			
Electrical	X No Options A Non-Fused Disconnect B Phase Monitor C Thru-the-base connections E Non-Fused Disconnect and Phase Monitor F Non-Fused Disconnect and Thru-the-base connectons H Phase Monitor and Thru-the-base connections L Non-Fused Disconnect, Thru-the-base connections and Phase Monitor																			
Economizer	X No Options A Ultra Low-Leak Downflow Economizer w/ Enthalpy Sensor B Low-Leak Downflow Economizer w/ Enthalpy Sensor G Ultra Low-Leak Downflow Economizer w/ Dry Bulb Sensor H Low-Leak Downflow Economizer w/ Dry Bulb Sensor L Ultra Low-Leak Downflow Economizer for DDC controls w/ Dry Bulb Sensor N Low-Leak Downflow Economizer for DDC controls w/ Enthalpy Sensor P Low-Leak Downflow Economizer for DDC controls w/ Dry Bulb Sensor																			
Coils, Hail guard	X No Options C Hail Guard																			
Sensors	X No Options A RA Smoke Detector B SA Smoke Detector C RA & SA Smoke Detector																			

G/E Stacking Models

New Daikin 3-6 Ton Direct Drive

MODEL NUMBER	CODESTRING	MODEL NUMBER	CODESTRING	MODEL NUMBER	CODESTRING	MODEL NUMBER	CODESTRING
DFG0601DL00001S	DFG0601D090AAAXXXXXXXXX	DFG0361DH00001S	DFG0361D090AAAXXXXXXXXX	DFG0367DH00001S	DFG0367D090AAAXXXXXXXXX	DFG0723DL00001S	DFG0723D090AAAXXXXXXXXX
DFG0601DH00001S	DFG0601D140AAAXXXXXXXXX	DFG0361D100001F	DFG0361D100AAAXXXXXXXXX	DFG0481DL00001S	DFG0481D070AAAXXXXXXXXX	DFG0723DM00001S	DFG0723D115AAAXXXXXXXXX
DFG0601D800001F	DFG0601D080AAAXXXXXXXXX	DFG0361D600001F	DFG0361D060AAAXXXXXXXXX	DFG0481D100001F	DFG0481D100AAAXXXXXXXXX	DFG0723DH00001S	DFG0723D140AAAXXXXXXXXX
DFG0603DL00001S	DFG0603D090AAAXXXXXXXXX	DFG0361D800001F	DFG0361D080AAAXXXXXXXXX	DFG0481D800001F	DFG0481D080AAAXXXXXXXXX	DFG0724DL00001S	DFG0724D090AAAXXXXXXXXX
DFG0603DM00001S	DFG0603D115AAAXXXXXXXXX	DFG0363DL00001S	DFG0363D045AAAXXXXXXXXX	DFG0483DL00001S	DFG0483D070AAAXXXXXXXXX	DFG0724DM00001S	DFG0724D115AAAXXXXXXXXX
DFG0603DH00001S	DFG0603D140AAAXXXXXXXXX	DFG0363DM00001S	DFG0363D070AAAXXXXXXXXX	DFG0483DL00001S	DFG0483D090AAAXXXXXXXXX	DFG0724DH00001S	DFG0724D140AAAXXXXXXXXX
DFG0603D100001F	DFG0603D100AAAXXXXXXXXX	DFG0363DH00001S	DFG0363D090AAAXXXXXXXXX	DFG0483DM00001S	DFG0483D100AAAXXXXXXXXX	DFG0727DL00001S	DFG0727D090AAAXXXXXXXXX
DFG0603D800001F	DFG0603D080AAAXXXXXXXXX	DFG0363D100001F	DFG0363D100AAAXXXXXXXXX	DFG0483DH00001S	DFG0483D115AAAXXXXXXXXX	DFG0727DM00001S	DFG0727D115AAAXXXXXXXXX
DFG0604DL00001S	DFG0604D090AAAXXXXXXXXX	DFG0363D800001F	DFG0363D060AAAXXXXXXXXX	DFG0483D100001F	DFG0483D100AAAXXXXXXXXX	DFG0727DH00001S	DFG0727D140AAAXXXXXXXXX
DFG0604DM00001S	DFG0604D115AAAXXXXXXXXX	DFG0364DL00001S	DFG0364D080AAAXXXXXXXXX	DFG0483D800001F	DFG0483D080AAAXXXXXXXXX	DFG0727WM00001F	DFG0727W090CAAXXXXXXXXX
DFG0604DH00001S	DFG0604D140AAAXXXXXXXXX	DFG0364D00001S	DFG0364D045AAAXXXXXXXXX	DFG0484DL00001S	DFG0484D070AAAXXXXXXXXX	DFG0723WM00001F	DFG0723W115CAAXXXXXXXXX
DFG0604D100001F	DFG0604D100AAAXXXXXXXXX	DFG0364DM00001S	DFG0364D070AAAXXXXXXXXX	DFG0484DM00001S	DFG0484D090AAAXXXXXXXXX	DFG0723WH00001F	DFG0723W140CAAXXXXXXXXX
DFG0604D800001F	DFG0604D080AAAXXXXXXXXX	DFG0364DH00001S	DFG0364D090AAAXXXXXXXXX	DFG0484DH00001S	DFG0484D115AAAXXXXXXXXX	DFG0724WL00001F	DFG0724W090CAAXXXXXXXXX
DFG0607DH00001S	DFG0607D140AAAXXXXXXXXX	DFG0364D100001F	DFG0364D100AAAXXXXXXXXX	DFG0484D100001F	DFG0484D100AAAXXXXXXXXX	DFG0724WM00001F	DFG0724W115CAAXXXXXXXXX
DFG0361DL00001S	DFG0361D045AAAXXXXXXXXX	DFG0364D600001F	DFG0364D060AAAXXXXXXXXX	DFG0484D800001F	DFG0484D080AAAXXXXXXXXX	DFG0724WH00001F	DFG0724W140CAAXXXXXXXXX
		DFG0364D800001F	DFG0364D080AAAXXXXXXXXX	DFG0487DH00001S	DFG0487D115AAAXXXXXXXXX	DFG0727WL00001F	DFG0727W090CAAXXXXXXXXX
						DFG0727WM00001F	DFG0727W115CAAXXXXXXXXX
						DFG0727WH00001F	DFG0727W140CAAXXXXXXXXX

Features and Benefits

Daikin Packaged Rooftop Units (RTUs) are built to perform, with features and options that help provide low installation and operation costs, superior indoor air quality, efficient operation, and longevity.

Installation

Daikin Packaged units are designed with fast and easy installation in mind and are ideal for both new construction and retrofit projects. Our packaged rooftop units are built to be a direct replacement for most rooftop units in the field without the need of a curb adapter.

Cabinet Construction

Daikin packaged rooftop units are made with high quality galvanized steel with a powder-paint finish to provide higher corrosion resistance.

- » Easy accessibility using our tool-less filter access (available on small chassis).
- » Unit is fully insulated to prevent sweating and thermal losses, using our foil face fiberglass insulation which also omits exposed filter fibers into the airstream.
- » 1" Raised flanges around the supply and return.
- » The full perimeter base rail is built using heavy gauge galvanized steel for a stronger structural installation. The base rails are a minimum of 3 ½" tall and include holes to allow for overhead rigging and lifting with forklifts.

- » Electrical lines and gas lines can be brought through the base of the unit or through the horizontal knockout for easy installation and accessibility on the field.

Compressor

High performance, low noise scroll compressors to match the required total load.

- » Resiliently factory-mounted on rubber grommets for vibration isolation
- » Refrigeration circuit includes both high and low pressure safety switches.
- » Unit is factory charged with environmentally friendly R-410A refrigerant.
- » Single stage 3-5, 6 ton 2-stage compressor.
- » Compressor location outside the condenser section to avoid air bypass.
- » Internal overload protection included with compressor.

Supply Fan

The direct-drive with airfoil single width, single inlet (SWSI) Class II construction supply fan with aluminum fan +blades provides efficient and quiet operation at wide ranging static pressure and air flow requirements.

- » Ball bearing Direct-Drive EEM motor removes the need for belts, sheaves, bearings and lubrication.
- » Each fan assembly is dynamically trim balanced at the factory before shipment for quick start-up and efficient operation.
- » Electromechanical integrated controls modulate the supply fan motor
- » Motor equipped with thermal overload to provide protection and lasting operation.

Coils

The indoor coil section is installed in a draw through configuration to provide better dehumidification. These coils are constructed with seamless copper tubes, mechanically bonded into aluminum plate-type fins with full drawn collars to completely cover the tubes for high operating efficiencies.

- » Coils are factory pressure tested to ensure pressure and leak integrity.
- » Copper tube / aluminum fin coils on evaporator
- » All units use large face area outdoor coils
- » Microchannel heat exchanger technology on all condenser coils for improved performance and reduced refrigerant load.



Controls and Wiring

Packaged rooftop units come equipped with a well-organized, large, easy to use, weatherproof internal control box with easy access, for a better user experience Terminal strips are provided as standard for easy installation and low voltage power wiring.

- » Terminal strips are provided as standard for easy installation and low voltage power wiring.
- » Units are factory-wired with color-coded wires and complete 24-volt Electromechanical controls package.

Filtration

Unit provides a draw-through filter section as standard for better air quality and long lasting component maintenance.

- » Filters installed on the units are standard off the shelf sizes for easy replacement.

Heating Section

Wide range of natural gas selections effectively handle most comfort heating demands from morning warm-up control to full heat, all available with Daikin's Wrinkle Bend heat exchanger technology.

Gas Furnace

ETL certified heating modules provide a custom match to specific design requirement.

- » Wrinkle Bend Technology available on all Daikin gas heat exchangers. The Wrinkle Bend Technology reduces the manufacturing stress that leads to defects and pinholes in the tubes at the same time as it increases the gas turbulence to amplify the heat transfer.
- » All single phase 5 ton Gas units have 81% AFUE.
- » All 3-Phase models have a minimum 81% T.E. (Thermal Efficiency)
- » User has the flexibility to order heat exchanger tubes with 20 Gauge, G160, aluminized steel or stainless steel to meet your application needs.

- » The furnace has a tubular design with in-shot gas burner manifold and is installed downstream of the supply fan.
- » The module contains an induced draft fan that will maintain a negative pressure in the heat exchanger tubes for the removal of the flue gases to protect indoor air quality.
- » Each burner module provides flame roll-out safety protection switches and a high temperature limit switch for reliable operation.
- » Induced draft fan includes an airflow safety switch to prevent heating operation in the event of no airflow for occupant safety.
- » All burner assemblies are factory tested and adjusted prior to shipment.
- » Heating control is fully integrated into the unit's control system for quick start-up and reliable control.
- » Optional field installed LP kits are available for staged heating modules as well as high altitude kits.

Electrical

Units are completely wired and tested at the factory to provide faster commissioning and start-up.

- » Wiring complies with NEC requirements and all applicable UL standards.
- » For ease of use, wiring and electrical components are color coded and labeled according to the electrical diagram.
- » A 115 V GFI convenience outlet requiring independent power supply is available as an option.
- » An optional unit powered 20 amp 115 V convenience outlet, complete with factory mounted transformer, disconnect switch, and primary and secondary overload protection, eliminates the need to pull a separate 115 V power source.
- » Supply air fan, compressor, and condenser fan motor branch circuits have individual short circuit protection.
- » For better serviceability an optional non-fused disconnect switch can be installed and operated by an externally mounted handle to disconnect the electrical power at the unit.



Applications

Daikin Rooftop units are intended for comfort cooling applications in normal heating, ventilating, and air conditioning. Consult your local Daikin sales representative for applications involving operations at high ambient temperatures, high altitudes, non-cataloged voltages, or for job-specific unit selections that fall outside of the range of the catalog tables.

For proper operation, units should be rigged in accordance with instructions stated on the installation manual. Fire dampers, if required, must be installed in the ductwork according to local and/or state codes. No space is allowed for these dampers in the unit.

Follow factory check, test and start procedures explicitly to achieve satisfactory start-up and operation.

Most rooftop applications take advantage of the significant energy savings provided with economizer operation. When an economizer system is used, mechanical refrigeration is typically not required below an ambient temperature of 50°F.

Serviceability

Daikin packaged rooftop units are built with serviceability in mind, designed to make future maintenance and service on the unit easy and accessible.

- » Our packaged rooftop units offer a slide out blower to facilitate the access and removal of the fan.
- » Filter panels on the small chassis line offer tool-less access for easy maintenance.
- » Independent compressor outside of the air bypass to eliminate component blockage and provide easy access.
- » Color coded and wire to identify point-to-point component connections.
- » All 3 - 6 ton units are designed for convertible airflow orientation to serve downflow or horizontal applications. Every unit ships prepared to convert to horizontal orientation in the field if required.
- » Screw on style high and low pressure switches allow for ease of replacement without the need for refrigerant recovery.



Model	DFG0361DL00001S	DFG0361DH00001S	DFG0363DL00001S	DFG0363DM00001S	DFG0363DH00001S
COOLING CAPACITY					
Total BTU/H	35,000	35,000	35,000	35,000	35,000
SEER / EER	N/A	N/A	14.0 / 11.5	14.0 / 11.5	14.0 / 11.5
SEER2 / EER2	13.4 / 11.0	13.4 / 11.0	13.4 / 11.0	13.4 / 11.0	13.4 / 11.0
AHRI Reference #	208120660	208120660	208120657	208120657	208120657
HEATING CAPACITY					
Heat Range	Low	High	Low	Medium	High
No. of Burners	2	4	2	3	4
High Stage Input / Output (KBTU/H)	45.0/36.5	90.0/72.9	45.0/36.0	70.0/56.0	90.0/72.0
Low Stage Input / Output (KBTU/H)	--	--	33.8/27.0	52.5/42.0	67.5/54.0
Thermal Efficiency (T.E.)	--	--	80	80	80
Annual Fuel Utilization Efficiency (AFUE)	81	81	--	--	--
High Stage Temperature Rise Range (°F)	15-45	25-55	15-45	25-55	25-55
Low Stage Temperature Rise Range (°F)	--	--	10-40	20-50	20-50
EVAPORATOR MOTOR / RTPF (ROUND TUBE PLATE FIN)					
Motor Type	Direct Drive	Direct Drive	Direct Drive	Direct Drive	Direct Drive
External Static Pressure (ESP)	Standard	Standard	Standard	Standard	Standard
Wheel Dia. X Width	12 x 11	12 x 11	12 x 11	12 x 11	12 x 11
Indoor Nominal CFM	1160	1160	1160	1160	1160
RPM	1200/VAR	1200/VAR	1200/VAR	1200/VAR	1200/VAR
Indoor Horsepower	3/4	3/4	3/4	3/4	3/4
Filter Size (in)	20 X 25 X 2 (2)	20 X 25 X 2 (2)	20 X 25 X 2 (2)	20 X 25 X 2 (2)	20 X 25 X 2 (2)
Drain Size (NPT)	3/4	3/4	3/4	3/4	3/4
R-410A Refrigerant Charge (oz.)	52	52	52	52	52
Evaporator Coil Face Area (ft ²)	6.41	6.41	6.41	6.41	6.41
Rows Deep/ Fins per Inch	2 / 16	2 / 16	2 / 16	2 / 16	2 / 16
CONDENSER FAN / MCHX (MICROCHANNEL HEAT EXCHANGER)					
Quantity of Condenser Fan Motors	1	1	1	1	1
RPM (High/Low stage)	810	810	810	810	810
Outdoor Horsepower	1/6	1/6	1/6	1/6	1/6
Fan Diameter / # Fan Blades	22 / 3	22 / 3	22 / 3	22 / 3	22 / 3
Face Area (ft ²)	12.3	12.3	12.3	12.3	12.3
Rows Deep / Fins per Inch	1 / 23	1 / 23	1 / 23	1 / 23	1 / 23
COMPRESSOR (ALL SINGLE-STAGE)					
Quantity / Type / Stages	1 / Scroll / 1	1 / Scroll / 1	1 / Scroll / 1	1 / Scroll / 1	1 / Scroll / 1
Compressor RLA / LRA	16.7 / 79	16.7 / 79	10.4 / 73	10.4 / 73	10.4 / 73
ELECTRICAL DATA					
Voltage-Phase-Frequency	208/230-1-60	208/230-1-60	208/230-3-60	208/230-3-60	208/230-3-60
Indoor Blower FLA	5.7	5.7	5.7	5.7	5.7
Max External Static (In. W.C.)	0.8	0.8	0.8	0.8	0.8
Outdoor Fan FLA	0.95	0.95	0.95	0.95	0.95
Min. Circuit Ampacity ¹	27.5/27.5	27.5/27.5	19.7/19.7	19.7/19.7	19.7/19.7
Max. Overcurrent Protection (A) ²	40/40	40/40	30/30	30/30	30/30
Power Supply Conduit Hole Dia. (in)	1.125	1.125	1.125	1.125	1.125
Low-Voltage Conduit Hole Dia. (in)	0.5	0.5	0.5	0.5	0.5
OPERATING WEIGHT (LBS.)					
Operating Weight (lbs)	500	512	498	504	510
SHIPPING WEIGHT (LBS.)					
Ship Weight (lbs)	570	582	568	574	580

¹ Wire size should be determined in accordance with National Electrical Codes. Extensive wire runs will require larger wire sizes.

² May use fuses or HACR-type circuit breakers of the same size as noted.

Note: Always check the S&R plate for electrical data on the unit being installed.

Model	DFG0364DL00001S	DFG0364DM00001S	DFG0364DH00001S	DFG0367DH00001S	DFG0361D600001F
COOLING CAPACITY					
Total BTU/H	35,000	35,000	35,000	35,000	35,000
SEER / EER	14.0 / 11.5	14.0 / 11.5	14.0 / 11.5	14.0 / 11.5	N/A
SEER2 / EER2	13.4 / 11.0	13.4 / 11.0	13.4 / 11.0	13.4 / 11.0	13.4 / 11.0
AHRI Reference #	208120658	208120658	208120658	208120659	208120660
HEATING CAPACITY					
Heat Range	Low	Medium	High	High	Low
No. of Burners	2	3	4	4	3
High Stage Input / Output (KBTU/H)	45.0/36.0	70.0/56.0	90.0/72.0	90.0/72.0	60.0/48.6
Low Stage Input / Output (KBTU/H)	33.8/27.0	52.5/42.0	67.5/54.0	67.5/54.0	--
Thermal Efficiency (T.E.)	80	80	80	80	--
Annual Fuel Utilization Efficiency (AFUE)	--	--	--	--	81
High Stage Temperature Rise Range (°F)	15-45	25-55	25-55	25-55	30-60
Low Stage Temperature Rise Range (°F)	10-40	20-50	20-50	20-50	--
EVAPORATOR MOTOR / RTPF (ROUND TUBE PLATE FIN)					
Motor Type	Direct Drive	Direct Drive	Direct Drive	Direct Drive	Direct Drive
External Static Pressure (ESP)	Standard	Standard	Standard	Standard	Standard
Wheel Dia. X Width	12 x 11	12 x 11	12 x 11	12 x 11	12 x 11
Indoor Nominal CFM	1160	1160	1160	1160	1160
RPM	300-1500	300-1500	300-1500	300-1500	1200/VAR
Indoor Horsepower	1.2	1.2	1.2	1.2	3/4
Filter Size (in)	20 X 25 X 2 (2)	20 X 25 X 2 (2)	20 X 25 X 2 (2)	20 X 25 X 2 (2)	20 X 25 X 2 (2)
Drain Size (NPT)	3/4	3/4	3/4	3/4	3/4
R-410A Refrigerant Charge (oz.)	52	52	52	52	52
Evaporator Coil Face Area (ft ²)	6.41	6.41	6.41	6.41	6.41
Rows Deep/ Fins per Inch	2 / 16	2 / 16	2 / 16	2 / 16	2 / 16
CONDENSER FAN / MCHX (MICROCHANNEL HEAT EXCHANGER)					
Quantity of Condenser Fan Motors	1	1	1	1	1
RPM (High/Low stage)	810	810	810	810	810
Outdoor Horsepower	1/6	1/6	1/6	1/6	1/6
Fan Diameter / # Fan Blades	22 / 3	22 / 3	22 / 3	22 / 3	22 / 3
Face Area (ft ²)	12.3	12.3	12.3	12.3	12.3
Rows Deep / Fins per Inch	1 / 23	1 / 23	1 / 23	1 / 23	1 / 23
COMPRESSOR (ALL SINGLE-STAGE)					
Quantity / Type / Stages	1 / Scroll / 1	1 / Scroll / 1	1 / Scroll / 1	1 / Scroll / 1	1 / Scroll / 1
Compressor RLA / LRA	5.8 / 38	5.8 / 38	5.8 / 38	3.8 / 36.5	16.7 / 79
ELECTRICAL DATA					
Voltage-Phase-Frequency	460-3-60	460-3-60	575-3-60	575-3-60	208/230-1-60
Indoor Blower FLA	2.5	2.5	2.5	2	5.7
Max External Static (In. W.C.)	0.8	0.8	0.8	0.8	0.8
Outdoor Fan FLA	0.48	0.48	0.48	0.39	0.95
Min. Circuit Ampacity ¹	10.2	10.2	10.2	7.12	27.5/27.5
Max. Overcurrent Protection (A) ²	15	15	15	15	40/40
Power Supply Conduit Hole Dia. (in)	1.125	1.125	1.125	1.125	1.125
Low-Voltage Conduit Hole Dia. (in)	0.5	0.5	0.5	0.5	0.5
OPERATING WEIGHT (LBS.)					
Operating Weight (lbs)	506	511	516	516	506
SHIPPING WEIGHT (LBS.)					
Ship Weight (lbs)	576	581	586	586	576

¹ Wire size should be determined in accordance with National Electrical Codes. Extensive wire runs will require larger wire sizes.

² May use fuses or HACR-type circuit breakers of the same size as noted.

Note: Always check the S&R plate for electrical data on the unit being installed.

Model	DFG0361D800001F	DFG0361D100001F	DFG0363D600001F	DFG0363D800001F	DFG0363D100001F
COOLING CAPACITY					
Total BTU/H	35,000	35,000	35,000	35,000	35,000
SEER / EER	N/A	N/A	14.0 / 11.5	14.0 / 11.5	14.0 / 11.5
SEER2 / EER2	13.4 / 11.0	13.4 / 11.0	13.4 / 11.0	13.4 / 11.0	13.4 / 11.0
AHRI Reference #	208120660	208120660	208120657	208120657	208120657
HEATING CAPACITY					
Heat Range	Medium	High	Low	Medium	High
No. of Burners	4	5	3	4	5
High Stage Input / Output (KBTU/H)	80.0/64.8	100.0/81.0	60.0/48.0	80.0/64.0	100.0/80.0
Low Stage Input / Output (KBTU/H)	--	--	--	--	--
Thermal Efficiency (T.E.)	--	--	80	80	80
Annual Fuel Utilization Efficiency (AFUE)	81	81	--	--	--
High Stage Temperature Rise Range (°F)	30-60	40-70	30-60	30-60	40-70
Low Stage Temperature Rise Range (°F)	--	--	--	--	--
EVAPORATOR MOTOR / RTPF (ROUND TUBE PLATE FIN)					
Motor Type	Direct Drive	Direct Drive	Direct Drive	Direct Drive	Direct Drive
External Static Pressure (ESP)	Standard	Standard	Standard	Standard	Standard
Wheel Dia. X Width	12 x 11	12 x 11	12 x 11	12 x 11	12 x 11
Indoor Nominal CFM	1160	1160	1160	1160	1160
RPM	1200/VAR	1200/VAR	1200/VAR	1200/VAR	1200/VAR
Indoor Horsepower	3/4	3/4	3/4	3/4	3/4
Filter Size (in)	20 X 25 X 2 (2)	20 X 25 X 2 (2)	20 X 25 X 2 (2)	20 X 25 X 2 (2)	20 X 25 X 2 (2)
Drain Size (NPT)	3/4	3/4	3/4	3/4	3/4
R-410A Refrigerant Charge (oz.)	52	52	52	52	52
Evaporator Coil Face Area (ft ²)	6.41	6.41	6.41	6.41	6.41
Rows Deep / Fins per Inch	2 / 16	2 / 16	2 / 16	2 / 16	2 / 16
CONDENSER FAN / MCHX (MICROCHANNEL HEAT EXCHANGER)					
Quantity of Condenser Fan Motors	1	1	1	1	1
RPM (High/Low stage)	810	810	810	810	810
Outdoor Horsepower	1/6	1/6	1/6	1/6	1/6
Fan Diameter / # Fan Blades	22 / 3	22 / 3	22 / 3	22 / 3	22 / 3
Face Area (ft ²)	12.3	12.3	12.3	12.3	12.3
Rows Deep / Fins per Inch	1 / 23	1 / 23	1 / 23	1 / 23	1 / 23
COMPRESSOR (ALL SINGLE-STAGE)					
Quantity / Type / Stages	1 / Scroll / 1	1 / Scroll / 1	1 / Scroll / 1	1 / Scroll / 1	1 / Scroll / 1
Compressor RLA / LRA	16.7 / 79	16.7 / 79	10.4 / 73	10.4 / 73	10.4 / 73
ELECTRICAL DATA					
Voltage-Phase-Frequency	208/230-1-60	208/230-1-60	208/230-3-60	208/230-3-60	208/230-3-60
Indoor Blower FLA	5.7	5.7	5.7	5.7	5.7
Max External Static (In. W.C.)	0.8	0.8	0.8	0.8	0.8
Outdoor Fan FLA	0.95	0.95	0.95	0.95	0.95
Min. Circuit Ampacity ¹	27.5/27.5	27.5/27.5	19.7/19.7	19.7/19.7	19.7/19.7
Max. Overcurrent Protection (A) ²	40/40	40/40	30/30	30/30	30/30
Power Supply Conduit Hole Dia. (in)	1.125	1.125	1.125	1.125	1.125
Low-Voltage Conduit Hole Dia. (in)	0.5	0.5	0.5	0.5	0.5
OPERATING WEIGHT (LBS.)					
Operating Weight (lbs)	512	519	504	510	517
SHIPPING WEIGHT (LBS.)					
Ship Weight (lbs)	582	589	574	580	587

¹ Wire size should be determined in accordance with National Electrical Codes. Extensive wire runs will require larger wire sizes.

² May use fuses or HACR-type circuit breakers of the same size as noted.

Note: Always check the S&R plate for electrical data on the unit being installed.

Model	DFG0364D600001F	DFG0364D800001F	DFG0364D100001F
COOLING CAPACITY			
Total BTU/H	35,000	35,000	35,000
SEER / EER	14.0 / 11.5	14.0 / 11.5	14.0 / 11.5
SEER2 / EER2	13.4 / 11.0	13.4 / 11.0	13.4 / 11.0
AHRI Reference #	208120658	208120658	208120658
HEATING CAPACITY			
Heat Range	Low	Medium	High
No. of Burners	3	4	5
High Stage Input / Output (KBTU/H)	60.0/48.0	80.0/64.0	100.0/80.0
Low Stage Input / Output (KBTU/H)	--	--	--
Thermal Efficiency (T.E.)	80	80	80
Annual Fuel Utilization Efficiency (AFUE)	--	--	--
High Stage Temperature Rise Range (°F)	25-55	30-60	40-70
Low Stage Temperature Rise Range (°F)	--	--	--
EVAPORATOR MOTOR / RTPF (ROUND TUBE PLATE FIN)			
Motor Type	Direct Drive	Direct Drive	Direct Drive
External Static Pressure (ESP)	Standard	Standard	Standard
Wheel Dia. X Width	12 x 11	12 x 11	12 x 11
Indoor Nominal CFM	1160	1160	1160
RPM	300-1500	300-1500	300-1500
Indoor Horsepower	1.2	1.2	1.2
Filter Size (in)	20 X 25 X 2 (2)	20 X 25 X 2 (2)	20 X 25 X 2 (2)
Drain Size (NPT)	3/4	3/4	3/4
R-410A Refrigerant Charge (oz.)	52	52	52
Evaporator Coil Face Area (ft ²)	6.41	6.41	6.41
Rows Deep/ Fins per Inch	2 / 16	2 / 16	2 / 16
CONDENSER FAN / MCHX (MICROCHANNEL HEAT EXCHANGER)			
Quantity of Condenser Fan Motors	1	1	1
RPM (High/Low stage)	810	810	810
Outdoor Horsepower	1/6	1/6	1/6
Fan Diameter/ # Fan Blades	22 / 3	22 / 3	22 / 3
Face Area (ft ²)	12.3	12.3	12.3
Rows Deep / Fins per Inch	1 / 23	1 / 23	1 / 23
COMPRESSOR (ALL SINGLE-STAGE)			
Quantity / Type / Stages	1 / Scroll / 1	1 / Scroll / 1	1 / Scroll / 1
Compressor RLA / LRA	5.8 / 38	5.8 / 38	5.8 / 38
ELECTRICAL DATA			
Voltage-Phase-Frequency	460-3-60	460-3-60	460-3-60
Indoor Blower FLA	2.5	2.5	2.5
Max External Static (In. W.C.)	0.8	0.8	0.8
Outdoor Fan FLA	0.48	0.48	0.48
Min. Circuit Ampacity ¹	10.2	10.2	10.2
Max. Overcurrent Protection (A) ²	15	15	15
Power Supply Conduit Hole Dia. (in)	1.125	1.125	1.125
Low-Voltage Conduit Hole Dia. (in)	0.5	0.5	0.5
OPERATING WEIGHT (LBS.)			
Operating Weight (lbs)	511	516	520
SHIPPING WEIGHT (LBS.)			
Ship Weight (lbs)	581	586	590

¹ Wire size should be determined in accordance with National Electrical Codes. Extensive wire runs will require larger wire sizes.

² May use fuses or HACR-type circuit breakers of the same size as noted.

Note: Always check the S&R plate for electrical data on the unit being installed.

Model	DFG0481DL00001S	DFG0481DH00001S	DFG0483DL00001S	DFG0483DM00001S	DFG0483DH00001S
COOLING CAPACITY					
Total BTU/H	47,000	47,000	47,000	47,000	47,000
SEER / EER	N/A	N/A	14.0 / 11.5	14.0 / 11.5	14.0 / 11.5
SEER2 / EER2	13.4 / 11.0	13.4 / 11.0	13.4 / 11.0	13.4 / 11.0	13.4 / 11.0
AHRI Reference #	208120668	208120668	208120665	208120665	208120665
HEATING CAPACITY					
Heat Range	Low	High	Low	Medium	High
No. of Burners	4	5	3	4	5
High Stage Input / Output (KBTU/H)	90.0/72.9	115.0/93.2	70.0/56.0	90.0/72.0	115.0/92.0
Low Stage Input / Output (KBTU/H)	--	--	52.5/42.0	67.5/54.0	86.3/69.0
Thermal Efficiency (T.E.)	--	--	80	80	80
Annual Fuel Utilization Efficiency (AFUE)	81	81	--	--	--
High Stage Temperature Rise Range (°F)	25-55	30-60	25-55	25-55	30-60
Low Stage Temperature Rise Range (°F)	--	--	20-50	20-50	25-55
EVAPORATOR MOTOR / RTPF (ROUND TUBE PLATE FIN)					
Motor Type	Direct Drive	Direct Drive	Direct Drive	Direct Drive	Direct Drive
External Static Pressure (ESP)	Standard	Standard	Standard	Standard	Standard
Wheel Dia. X Width	12 x 11	12 x 11	12 x 11	12 x 11	12 x 11
Indoor Nominal CFM	1570	1570	1570	1570	1570
RPM	1200/VAR	1200/VAR	1200/VAR	1200/VAR	1200/VAR
Indoor Horsepower	1.0	1.0	1.0	1.0	1.0
Filter Size (in)	20 X 25 X 2 (2)	20 X 25 X 2 (2)	20 X 25 X 2 (2)	20 X 25 X 2 (2)	20 X 25 X 2 (2)
Drain Size (NPT)	3/4	3/4	3/4	3/4	3/4
R-410A Refrigerant Charge (oz.)	79	79	79	79	79
Evaporator Coil Face Area (ft ²)	6.41	6.41	6.41	6.41	6.41
Rows Deep / Fins per Inch	3 / 16	3 / 16	3 / 16	3 / 16	3 / 16
CONDENSER FAN / MCHX (MICROCHANNEL HEAT EXCHANGER)					
Quantity of Condenser Fan Motors	1	1	1	1	1
RPM (High/Low stage)	1122	1122	1122	1122	1122
Outdoor Horsepower	1/3	1/3	1/3	1/3	1/3
Fan Diameter / # Fan Blades	22 / 3	22 / 3	22 / 3	22 / 3	22 / 3
Face Area (ft ²)	12.3	12.3	12.3	12.3	12.3
Rows Deep / Fins per Inch	1 / 23	1 / 23	1 / 23	1 / 23	1 / 23
COMPRESSOR (ALL SINGLE-STAGE)					
Quantity / Type / Stages	1 / Scroll / 1	1 / Scroll / 1	1 / Scroll / 1	1 / Scroll / 1	1 / Scroll / 1
Compressor RLA / LRA	19.9 / 109	19.9 / 109	13.1 / 83.1	13.1 / 83.1	13.1 / 83.1
ELECTRICAL DATA					
Voltage-Phase-Frequency	208/230-1-60	208/230-1-60	208/230-3-60	208/230-3-60	208/230-3-60
Indoor Blower FLA	6.9	6.9	6.9	6.9	6.9
Max External Static (In. W.C.)	0.8	0.8	0.8	0.8	0.8
Outdoor Fan FLA	2	2	2	2	2
Min. Circuit Ampacity ¹	33.7 / 33.7	33.7 / 33.7	25.3 / 25.3	25.3 / 25.3	25.3 / 25.3
Max. Overcurrent Protection (A) ²	50 / 50	50 / 50	35/35	35/35	35/35
Power Supply Conduit Hole Dia. (in)	1.125	1.125	1.125	1.125	1.125
Low-Voltage Conduit Hole Dia. (in)	0.5	0.5	0.5	0.5	0.5
OPERATING WEIGHT (LBS.)					
Operating Weight (lbs)	537	553	532	540	548
SHIPPING WEIGHT (LBS.)					
Ship Weight (lbs)	607	623	602	610	618

¹ Wire size should be determined in accordance with National Electrical Codes. Extensive wire runs will require larger wire sizes.

² May use fuses or HACR-type circuit breakers of the same size as noted.

Note: Always check the S&R plate for electrical data on the unit being installed.

Model	DFG0484DL00001S	DFG0484DM00001S	DFG0484DH00001S	DFG0487DH00001S	DFG0481D800001F
COOLING CAPACITY					
Total BTU/H	47,000	47,000	47,000	47,000	47,000
SEER / EER	14.0 / 11.5	14.0 / 11.5	14.0 / 11.5	14.0 / 11.5	N/A
SEER2 / EER2	13.4 / 11.0	13.4 / 11.0	13.4 / 11.0	13.4 / 11.0	13.4 / 11.0
AHRI Reference #	208120666	208120666	208120666	208120667	208120668
HEATING CAPACITY					
Heat Range	Low	Medium	High	High	Medium
No. of Burners	3	4	5	5	4
High Stage Input / Output (KBTU/H)	70.0/56.0	90.0/72.0	115.0/92.0	115.0/92.0	80.0/64.8
Low Stage Input / Output (KBTU/H)	52.5/42.0	67.5/54.0	86.3/69.0	86.3/69.0	--
Thermal Efficiency (T.E.)	80	80	80	80	--
Annual Fuel Utilization Efficiency (AFUE)	--	--	--	--	81
High Stage Temperature Rise Range (°F)	25-55	25-55	30-60	30-60	25-55
Low Stage Temperature Rise Range (°F)	20-50	20-50	25-55	25-55	--
EVAPORATOR MOTOR / RTPF (ROUND TUBE PLATE FIN)					
Motor Type	Direct Drive	Direct Drive	Direct Drive	Direct Drive	Direct Drive
External Static Pressure (ESP)	Standard	Standard	Standard	Standard	Standard
Wheel Dia. X Width	12 x 11	12 x 11	12 x 11	12 x 11	12 x 11
Indoor Nominal CFM	1570	1570	1570	1570	1570
RPM	300-1500	300-1500	300-1500	300-1500	1200/VAR
Indoor Horsepower	1.2	1.2	1.2	1.2	1.0
Filter Size (in)	20 X 25 X 2 (2)	20 X 25 X 2 (2)	20 X 25 X 2 (2)	20 X 25 X 2 (2)	20 X 25 X 2 (2)
Drain Size (NPT)	3/4	3/4	3/4	3/4	3/4
R-410A Refrigerant Charge (oz.)	79	79	79	79	79
Evaporator Coil Face Area (ft²)	6.41	6.41	6.41	6.41	6.41
Rows Deep/ Fins per Inch	3 / 16	3 / 16	3 / 16	3 / 16	3 / 16
CONDENSER FAN / MCHX (MICROCHANNEL HEAT EXCHANGER)					
Quantity of Condenser Fan Motors	1	1	1	1	1
RPM (High/Low stage)	1050	1050	1050	1050	1122
Outdoor Horsepower	1/3	1/3	1/3	1/3	1/3
Fan Diameter / # Fan Blades	22 / 3	22 / 3	22 / 3	22 / 3	22 / 3
Face Area (ft²)	12.3	12.3	12.3	12.3	12.3
Rows Deep / Fins per Inch	1 / 23	1 / 23	1 / 23	1 / 23	1 / 23
COMPRESSOR (ALL SINGLE-STAGE)					
Quantity / Type / Stages	1 / Scroll / 1	1 / Scroll / 1	1 / Scroll / 1	1 / Scroll / 1	1 / Scroll / 1
Compressor RLA / LRA	6.1 / 41	6.1 / 41	6.1 / 41	4.4 / 33	19.9 / 109
ELECTRICAL DATA					
Voltage-Phase-Frequency	460-3-60	460-3-60	460-3-60	575-3-60	208/230-1-60
Indoor Blower FLA	2.5	2.5	2.5	2	6.9
Max External Static (In. W.C.)	0.8	0.8	0.8	0.8	0.8
Outdoor Fan FLA	0.85	0.85	0.85	0.67	2
Min. Circuit Ampacity ¹	11	11	11	8.12	33.7/33.7
Max. Overcurrent Protection (A) ²	15	15	15	15	50/50
Power Supply Conduit Hole Dia. (in)	1.125	1.125	1.125	1.125	1.125
Low-Voltage Conduit Hole Dia. (in)	0.5	0.5	0.5	0.5	0.5
OPERATING WEIGHT (LBS.)					
Operating Weight (lbs)	536	544	552	552	537
SHIPPING WEIGHT (LBS.)					
Ship Weight (lbs)	606	614	622	622	607

¹ Wire size should be determined in accordance with National Electrical Codes. Extensive wire runs will require larger wire sizes.

² May use fuses or HACR-type circuit breakers of the same size as noted.

Note: Always check the S&R plate for electrical data on the unit being installed.

Model	DFG0481D100001F	DFG0483D800001F	DFG0483D100001F	DFG0484D800001F	DFG0484D100001F
COOLING CAPACITY					
Total BTU/H	47,000	47,000	47,000	47,000	47,000
SEER / EER	N/A	14.0 / 11.5	14.0 / 11.5	14.0 / 11.5	14.0 / 11.5
SEER2 / EER2	13.4 / 11.0	13.4 / 11.0	13.4 / 11.0	13.4 / 11.0	13.4 / 11.0
AHRI Reference #	208120668	208120665	208120665	208120666	208120666
HEATING CAPACITY					
Heat Range	High	Medium	High	Medium	High
No. of Burners	5	4	5	4	5
High Stage Input / Output (KBTU/H)	100.0/81.0	80.0/64.0	100.0/80.0	80.0/64.0	100.0/80.0
Low Stage Input / Output (KBTU/H)	--	--	--	--	--
Thermal Efficiency (T.E.)	--	80	80	80	80
Annual Fuel Utilization Efficiency (AFUE)	81	--	--	--	--
High Stage Temperature Rise Range (°F)	35-65	25-55	35-65	25-55	35-65
Low Stage Temperature Rise Range (°F)	--	--	--	--	--
EVAPORATOR MOTOR / RTPF (ROUND TUBE PLATE FIN)					
Motor Type	Direct Drive	Direct Drive	Direct Drive	Direct Drive	Direct Drive
External Static Pressure (ESP)	Standard	Standard	Standard	Standard	Standard
Wheel Dia. X Width	12 x 11	12 x 11	12 x 11	12 x 11	12 x 11
Indoor Nominal CFM	1570	1570	1570	1570	1570
RPM	1200/VAR	1200/VAR	1200/VAR	300-1500	300-1500
Indoor Horsepower	1.0	1.0	1.0	1.2	1.2
Filter Size (in)	20 X 25 X 2 (2)	20 X 25 X 2 (2)	20 X 25 X 2 (2)	20 X 25 X 2 (2)	20 X 25 X 2 (2)
Drain Size (NPT)	3/4	3/4	3/4	3/4	3/4
R-410A Refrigerant Charge (oz.)	79	79	79	79	79
Evaporator Coil Face Area (ft ²)	6.41	6.41	6.41	6.41	6.41
Rows Deep / Fins per Inch	3 / 16	3 / 16	3 / 16	3 / 16	3 / 16
CONDENSER FAN / MCHX (MICROCHANNEL HEAT EXCHANGER)					
Quantity of Condenser Fan Motors	1	1	1	1	1
RPM (High/Low stage)	1122	1122	1122	1050	1050
Outdoor Horsepower	1/3	1/3	1/3	1/3	1/3
Fan Diameter / # Fan Blades	22 / 3	22 / 3	22 / 3	22 / 3	22 / 3
Face Area (ft ²)	12.3	12.3	12.3	12.3	12.3
Rows Deep / Fins per Inch	1 / 23	1 / 23	1 / 23	1 / 23	1 / 23
COMPRESSOR (ALL SINGLE-STAGE)					
Quantity / Type / Stages	1 / Scroll / 1	1 / Scroll / 1	1 / Scroll / 1	1 / Scroll / 1	1 / Scroll / 1
Compressor RLA / LRA	19.9 / 109	13.1 / 83.1	13.1 / 83.1	6.1 / 41	6.1 / 41
ELECTRICAL DATA					
Voltage-Phase-Frequency	208/230-1-60	208/230-3-60	208/230-3-60	460-3-60	460-3-60
Indoor Blower FLA	6.9	6.9	6.9	6.1	6.1
Max External Static (In. W.C.)	0.8	0.8	0.8	0.8	0.8
Outdoor Fan FLA	2	2	2	0.85	0.85
Min. Circuit Ampacity ¹	33.7/33.7	25.3/25.3	25.3/25.3	11	11
Max. Overcurrent Protection (A) ²	50/50	35/35	35/35	15	15
Power Supply Conduit Hole Dia. (in)	1.125	1.125	1.125	1.125	1.125
Low-Voltage Conduit Hole Dia. (in)	0.5	0.5	0.5	0.5	0.5
OPERATING WEIGHT (LBS.)					
Operating Weight (lbs)	553	540	548	544	552
SHIPPING WEIGHT (LBS.)					
Ship Weight (lbs)	623	610	618	614	622

¹ Wire size should be determined in accordance with National Electrical Codes. Extensive wire runs will require larger wire sizes.

² May use fuses or HACR-type circuit breakers of the same size as noted.

Note: Always check the S&R plate for electrical data on the unit being installed.

Model	DFG0601DL00001S	DFG0601DH00001S	DFG0603DL00001S	DFG0603DM00001S	DFG0603DH00001S
COOLING CAPACITY					
Total BTU/H	59,000	59,000	59,000	59,000	59,000
SEER / IEER	N/A	N/A	14.0 / 11.5	14.0 / 11.5	14.0 / 11.5
SEER2 / EER2	13.4 / 11.0	13.4 / 11.0	13.4 / 11.0	13.4 / 11.0	13.4 / 11.0
AHRI Reference #	207516913	207516913	207516915	207516915	207516915
HEATING CAPACITY					
Heat Range	Low	High	Low	Medium	High
No. of Burners	4	6	4	5	6
High Stage Input / Output (KBTU/H)	90.0/73.0	140.0/113.0	90.0/72.0	115.0/92.0	140.0/112.0
Low Stage Input / Output (KBTU/H)	--	--	67.5/54.0	86.3/69.0	105.0/84.0
Thermal Efficiency (T.E.)	--	--	80	80	80
Annual Fuel Utilization Efficiency (AFUE)	81	81	--	--	--
High Stage Temperature Rise Range (°F)	30-60	35-65	30-60	30-60	35-65
Low Stage Temperature Rise Range (°F)	--	--	25-55	25-55	30-60
EVAPORATOR MOTOR / RTPF (ROUND TUBE PLATE FIN)					
Motor Type	Direct Drive	Direct Drive	Direct Drive	Direct Drive	Direct Drive
External Static Pressure (ESP)	Standard	Standard	Standard	Standard	Standard
Wheel Dia. X Width	12 x 11	12 x 11	12 x 11	12 x 11	12 x 11
Indoor Nominal CFM	1820	1820	1820	1820	1820
RPM	1200/VAR	1200/VAR	1200/VAR	1200/VAR	1200/VAR
Indoor Horsepower	1.0	1.0	1.0	1.0	1.0
Filter Size (in)	20 X 25 X 2 (2)	20 X 25 X 2 (2)	20 X 25 X 2 (2)	20 X 25 X 2 (2)	20 X 25 X 2 (2)
Drain Size (NPT)	3/4	3/4	3/4	3/4	3/4
R-410A Refrigerant Charge (oz.)	82	82	82	82	82
Evaporator Coil Face Area (ft ²)	6.41	6.41	6.41	6.41	6.41
Rows Deep/ Fins per Inch	3 / 16	3 / 16	3 / 16	3 / 16	3 / 16
CONDENSER FAN / MCHX (MICROCHANNEL HEAT EXCHANGER)					
Quantity of Condenser Fan Motors	1	1	1	1	1
RPM (High/Low stage)	1122	1122	1122	1122	1122
Outdoor Horsepower	1/3	1/3	1/3	1/3	1/3
Fan Diameter/ # Fan Blades	22 / 3	22 / 3	22 / 3	22 / 3	22 / 3
Face Area (ft ²)	17.6	17.6	17.6	17.6	17.6
Rows Deep / Fins per Inch	1 / 23	1 / 23	1 / 23	1 / 23	1 / 23
COMPRESSOR (ALL SINGLE-STAGE)					
Quantity / Type / Stages	1 / Scroll / 1	1 / Scroll / 1	1 / Scroll / 1	1 / Scroll / 1	1 / Scroll / 1
Compressor RLA / LRA	26.4 / 134.0	26.4 / 134.0	16.0 / 110.0	16.0 / 110.0	16.0 / 110.0
ELECTRICAL DATA					
Voltage-Phase-Frequency	208/230-1-60	208/230-1-60	208/230-3-60	208/230-3-60	208/230-3-60
Indoor Blower FLA	6.9	6.9	6.9	6.9	6.9
Max External Static (In. W.C.)	0.8	0.8	0.8	0.8	0.8
Outdoor Fan FLA	2.0	2.0	2.0	2.0	2.0
Min. Circuit Ampacity ¹	41.9 / 41.9	41.9 / 41.9	28.9 / 28.9	28.9 / 28.9	28.9 / 28.9
Max. Overcurrent Protection (A) ²	60 / 60	60 / 60	40 / 40	40 / 40	40 / 40
Power Supply Conduit Hole Dia. (in)	1.125	1.125	1.125	1.125	1.125
Low-Voltage Conduit Hole Dia. (in)	0.5	0.5	0.5	0.5	0.5
OPERATING WEIGHT (LBS.)					
Operating Weight (lbs)	541	558	537	550	554
SHIPPING WEIGHT (LBS.)					
Ship Weight (lbs)	611	628	607	620	624

¹ Wire size should be determined in accordance with National Electrical Codes. Extensive wire runs will require larger wire sizes.

² May use fuses or HACR-type circuit breakers of the same size as noted.

Note: Always check the S&R plate for electrical data on the unit being installed.

Model	DFG0604DL00001S	DFG0604DM00001S	DFG0604DH00001S	DFG0607DH00001S	DFG0601D1000001F
COOLING CAPACITY					
Total BTU/H	59,000	59,000	59,000	59,000	59,000
SEER / EER	14.0 / 11.5	14.0 / 11.5	14.0 / 11.5	14.0 / 11.5	N/A
SEER2 / EER2	13.4 / 11.0	13.4 / 11.0	13.4 / 11.0	13.4 / 11.0	13.4 / 11.0
AHRI Reference #	207516916	207516916	207516916	207516917	207516913
HEATING CAPACITY					
Heat Range	Low	Medium	High	High	High
No. of Burners	4	5	6	6	5
High Stage Input / Output (KBTU/H)	90.0/72.0	115.0/92.0	140.0/112.0	140.0/112.0	100.0/81.0
Low Stage Input / Output (KBTU/H)	67.5/54.0	86.3/69.0	105.0/84.0	105.0/84.0	--
Thermal Efficiency (T.E.)	80	80	80	80	--
Annual Fuel Utilization Efficiency (AFUE)	--	--	--	--	81
High Stage Temperature Rise Range (°F)	30-60	30-60	35-65	35-65	30-60
Low Stage Temperature Rise Range (°F)	25-55	25-55	30-60	30-60	--
EVAPORATOR MOTOR / RTPF (ROUND TUBE PLATE FIN)					
Motor Type	Direct Drive	Direct Drive	Direct Drive	Direct Drive	Direct Drive
External Static Pressure (ESP)	Standard	Standard	Standard	Standard	Standard
Wheel Dia. X Width	12 x 11	12 x 11	12 x 11	12 x 11	12 x 11
Indoor Nominal CFM	1820	1820	1820	1820	1820
RPM	300-1500	300-1500	300-1500	300-1500	1200/VAR
Indoor Horsepower	1.2	1.2	1.2	1.2	1.0
Filter Size (in)	20 X 25 X 2 (2)	20 X 25 X 2 (2)	20 X 25 X 2 (2)	20 X 25 X 2 (2)	20 X 25 X 2 (2)
Drain Size (NPT)	3/4	3/4	3/4	3/4	3/4
R-410A Refrigerant Charge (oz.)	82	82	82	82	82
Evaporator Coil Face Area (ft ²)	6.41	6.41	6.41	6.41	6.41
Rows Deep/ Fins per Inch	3 / 16	3 / 16	3 / 16	3 / 16	3 / 16
CONDENSER FAN / MCHX (MICROCHANNEL HEAT EXCHANGER)					
Quantity of Condenser Fan Motors	1	1	1	1	1
RPM (High/Low stage)	1050	1050	1050	1050	1122
Outdoor Horsepower	1/3	1/3	1/3	1/3	1/3
Fan Diameter/ # Fan Blades	22 / 3	22 / 3	22 / 3	22 / 3	22 / 3
Face Area (ft ²)	17.6	17.6	17.6	17.6	17.6
Rows Deep / Fins per Inch	1 / 23	1 / 23	1 / 23	1 / 23	1 / 23
COMPRESSOR (ALL SINGLE-STAGE)					
Quantity / Type / Stages	1 / Scroll / 1	1 / Scroll / 1	1 / Scroll / 1	1 / Scroll / 1	1 / Scroll / 1
Compressor RLA / LRA	7.8 / 52.0	7.8 / 52.0	7.8 / 52.0	5.7 / 38.9	26.4 / 134.0
ELECTRICAL DATA					
Voltage-Phase-Frequency	460-3-60	460-3-60	460-3-60	575-3-60	208/230-1-60
Indoor Blower FLA	2.5	2.5	2.5	2	6.9
Max External Static (In. W.C.)	0.8	0.8	0.8	0.8	0.8
Outdoor Fan FLA	0.85	0.85	0.85	0.67	2
Min. Circuit Ampacity ¹	13	13	13	9.8	41.9/41.9
Max. Overcurrent Protection (A) ²	20	20	20	15	60/60
Power Supply Conduit Hole Dia. (in)	1.125	1.125	1.125	1.125	1.125
Low-Voltage Conduit Hole Dia. (in)	0.5	0.5	0.5	0.5	0.5
OPERATING WEIGHT (LBS.)					
Operating Weight (lbs)	541	554	558	558	554
SHIPPING WEIGHT (LBS.)					
Ship Weight (lbs)	611	624	628	628	624

¹ Wire size should be determined in accordance with National Electrical Codes. Extensive wire runs will require larger wire sizes.

² May use fuses or HACR-type circuit breakers of the same size as noted.

Note: Always check the S&R plate for electrical data on the unit being installed.

Model	DFG0601D8000001F	DFG0603D1000001F	DFG0603D8000001F	DFG0604D1000001F	DFG0604D8000001F
COOLING CAPACITY					
Total BTU/H	59,000	59,000	59,000	59,000	59,000
SEER / EER	N/A	14.0 / 11.5	14.0 / 11.5	14.0 / 11.5	14.0 / 11.5
SEER2 / EER2	13.4 / 11.0	13.4 / 11.0	13.4 / 11.0	13.4 / 11.0	13.4 / 11.0
AHRI Reference #	207516913	207516915	207516915	207516916	207516916
HEATING CAPACITY					
Heat Range	Medium	High	Medium	High	Medium
No. of Burners	4	5	4	5	4
High Stage Input / Output (KBTU/H)	80.0/64.8	100.0/80.0	80.0/64.0	100.0/80.0	80.0/64.0
Low Stage Input / Output (KBTU/H)	--	--	--	--	--
Thermal Efficiency (T.E.)	--	80	80	80	80
Annual Fuel Utilization Efficiency (AFUE)	81	--	--	--	--
High Stage Temperature Rise Range (°F)	20-50	30-60	20-50	30-60	20-50
Low Stage Temperature Rise Range (°F)	--	--	--	--	--
EVAPORATOR MOTOR / RTPF (ROUND TUBE PLATE FIN)					
Motor Type	Direct Drive	Direct Drive	Direct Drive	Direct Drive	Direct Drive
External Static Pressure (ESP)	Standard	Standard	Standard	Standard	Standard
Wheel Dia. X Width	12 x 11	12 x 11	12 x 11	12 x 11	12 x 11
Indoor Nominal CFM	1820	1820	1820	1820	1820
RPM	1200/VAR	1200/VAR	1200/VAR	300-1500	300-1500
Indoor Horsepower	1.0	1.0	1.0	1.2	1.2
Filter Size (in)	20 X 25 X 2 (2)	20 X 25 X 2 (2)	20 X 25 X 2 (2)	20 X 25 X 2 (2)	20 X 25 X 2 (2)
Drain Size (NPT)	3/4	3/4	3/4	3/4	3/4
R-410A Refrigerant Charge (oz.)	82	82	82	82	82
Evaporator Coil Face Area (ft ²)	6.41	6.41	6.41	6.41	6.41
Rows Deep/ Fins per Inch	3 / 16	3 / 16	3 / 16	3 / 16	3 / 16
CONDENSER FAN / MCHX (MICROCHANNEL HEAT EXCHANGER)					
Quantity of Condenser Fan Motors	1	1	1	1	1
RPM (High/Low stage)	1122	1122	1122	1050	1050
Outdoor Horsepower	1/3	1/3	1/3	1/3	1/3
Fan Diameter/ # Fan Blades	22 / 3	22 / 3	22 / 3	22 / 3	22 / 3
Face Area (ft ²)	17.6	17.6	17.6	17.6	17.6
Rows Deep / Fins per Inch	1 / 23	1 / 23	1 / 23	1 / 23	1 / 23
COMPRESSOR (ALL SINGLE-STAGE)					
Quantity / Type / Stages	1 / Scroll / 1	1 / Scroll / 1	1 / Scroll / 1	1 / Scroll / 1	1 / Scroll / 1
Compressor RLA / LRA	26.4 / 134.0	16.0 / 110.0	16.0 / 110.0	7.8 / 52.0	7.8 / 52.0
ELECTRICAL DATA					
Voltage-Phase-Frequency	208/230-1-60	208/230-3-60	208/230-3-60	460-3-60	460-3-60
Indoor Blower FLA	6.9	6.9	6.9	2.5	2.5
Max External Static (In. W.C.)	0.8	0.8	0.8	0.8	0.8
Outdoor Fan FLA	2	2	2	0.85	0.85
Min. Circuit Ampacity ¹	41.9/41.9	28.9/28.9	28.9/28.9	13	13
Max. Overcurrent Protection (A) ²	60/60	40/40	40/40	20	20
Power Supply Conduit Hole Dia. (in)	1.125	1.125	1.125	1.125	1.125
Low-Voltage Conduit Hole Dia. (in)	0.5	0.5	0.5	0.5	0.5
OPERATING WEIGHT (LBS.)					
Operating Weight (lbs)	541	550	537	554	541
SHIPPING WEIGHT (LBS.)					
Ship Weight (lbs)	611	620	607	624	611

¹ Wire size should be determined in accordance with National Electrical Codes. Extensive wire runs will require larger wire sizes.

² May use fuses or HACR-type circuit breakers of the same size as noted.

Note: Always check the S&R plate for electrical data on the unit being installed.

Model	DFG0723DL00001S	DFG0723DM00001S	DFG0723DH00001S	DFG0724DL00001S	DFG0724DM00001S
COOLING CAPACITY					
Total BTU/H	69,000	69,000	69,000	69,000	69,000
IEER / EER	15.5 / 11.2	15.5 / 11.2	15.5 / 11.2	15.5 / 11.2	15.5 / 11.2
AHRI Reference #	208122212	208122212	208122212	208122213	208122213
HEATING CAPACITY					
Heat Range	Low	Medium	High	Low	Medium
No. of Burners	4	5	6	4	5
High Stage Input / Output (KBTU/H)	90.0/72.0	115.0/92.0	140.0/112.0	90.0/72.0	115.0/92.0
Low Stage Input / Output (KBTU/H)	67.5/54.0	86.3/69.0	105.0/84.0	67.5/54.0	86.3/69.0
Thermal Efficiency (T.E.)	80	80	80	80	80
Annual Fuel Utilization Efficiency (AFUE)	--	--	--	--	--
High Stage Temperature Rise Range (°F)	25-55	25-55	35-65	25-55	25-55
Low Stage Temperature Rise Range (°F)	20-50	20-50	30-60	20-50	20-50
EVAPORATOR MOTOR / RTPF (ROUND TUBE PLATE FIN)					
Motor Type	Direct Drive	Direct Drive	Direct Drive	Direct Drive	Direct Drive
External Static Pressure (ESP)	Standard	Standard	Standard	Standard	Standard
Wheel Dia. X Width	12 x 11	12 x 11	12 x 11	12 x 11	12 x 11
Indoor Nominal CFM	2100	2100	2100	2100	2100
RPM	300-1500	300-1500	300-1500	300-1500	300-1500
Indoor Horsepower	1.2	1.2	1.2	1.2	1.2
Filter Size (in)	14 X 20 X 2, 20 X 20 X 2	14 X 20 X 2, 20 X 20 X 2	14 X 20 X 2, 20 X 20 X 2	14 X 20 X 2, 20 X 20 X 2	14 X 20 X 2, 20 X 20 X 2
Drain Size (NPT)	3/4	3/4	3/4	3/4	3/4
R-410A Refrigerant Charge (oz.)	110	110	110	110	110
Evaporator Coil Face Area (ft ²)	9.16	9.16	9.16	9.16	9.16
Rows Deep/ Fins per Inch	3 / 16	3 / 16	3 / 16	3 / 16	3 / 16
CONDENSER FAN / MCHX (MICROCHANNEL HEAT EXCHANGER)					
Quantity of Condenser Fan Motors	1	1	1	1	1
RPM (High/Low stage)	1122	1122	1122	1050	1050
Outdoor Horsepower	1/3	1/3	1/3	1/3	1/3
Fan Diameter/ # Fan Blades	22 / 4	22 / 4	22 / 4	22 / 4	22 / 4
Face Area (ft ²)	17.2	17.2	17.2	17.2	17.2
Rows Deep / Fins per Inch	1 / 23	1 / 23	1 / 23	1 / 23	1 / 23
COMPRESSOR (ALL SINGLE-STAGE)					
Quantity / Type / Stages	1 / Scroll / 2	1 / Scroll / 2	1 / Scroll / 2	1 / Scroll / 2	1 / Scroll / 2
Compressor RLA / LRA	17.6 / 136	17.6 / 136	17.6 / 136	8.5 / 66.1	8.5 / 66.1
ELECTRICAL DATA					
Voltage-Phase-Frequency	208/230-3-60	208/230-3-60	208/230-3-60	460-3-60	460-3-60
Indoor Blower FLA	5	5	5	2.5	2.5
Max External Static (In. W.C.)	0.8	0.8	0.8	0.8	0.8
Outdoor Fan FLA	2	2	2	0.85	0.85
Min. Circuit Ampacity ¹	29.0/29.0	29.0/29.0	29.0/29.0	13.9	13.9
Max. Overcurrent Protection (A) ²	45/45	45/45	45/45	20	20
Power Supply Conduit Hole Dia. (in)	1.125	1.125	1.125	1.125	1.125
Low-Voltage Conduit Hole Dia. (in)	0.5	0.5	0.5	0.5	0.5
OPERATING WEIGHT (LBS.)					
Operating Weight (lbs)	610	618	626	610	618
SHIPPING WEIGHT (LBS.)					
Ship Weight (lbs)	680	688	696	680	688

¹ Wire size should be determined in accordance with National Electrical Codes. Extensive wire runs will require larger wire sizes.

² May use fuses or HACR-type circuit breakers of the same size as noted.

Note: Always check the S&R plate for electrical data on the unit being installed.

Model	DFG0724DH00001S	DFG0727DL00001S	DFG0727DM00001S	DFG0727DH00001S	DFG0723WL00001F
COOLING CAPACITY					
Total BTU/H	69,000	69,000	69,000	69,000	69,000
IEER / EER	15.5 / 11.2	15.5 / 11.2	15.5 / 11.2	15.5 / 11.2	15.5 / 11.2
AHRI Reference #	208122213	208122214	208122214	208122214	208122212
HEATING CAPACITY					
Heat Range	High	Low	Medium	High	Low
No. of Burners	6	4	5	6	4
High Stage Input / Output (KBTU/H)	140.0/112.0	90.0/72.0	115.0/92.0	140.0/112.0	90.0/72.0
Low Stage Input / Output (KBTU/H)	105.0/84.0	67.5/54.0	86.3/69.0	105.0/84.0	67.5/54.0
Thermal Efficiency (T.E.)	80	80	80	80	80
Annual Fuel Utilization Efficiency (AFUE)	--	--	--	--	--
High Stage Temperature Rise Range (°F)	35-65	25-55	25-55	35-65	25-55
Low Stage Temperature Rise Range (°F)	30-60	20-50	20-50	30-60	20-50
EVAPORATOR MOTOR / RTPF (ROUND TUBE PLATE FIN)					
Motor Type	Direct Drive	Direct Drive	Direct Drive	Direct Drive	Direct Drive
External Static Pressure (ESP)	Standard	Standard	Standard	Standard	High
Wheel Dia. X Width	12 x 11	12 x 11	12 x 11	12 x 11	12 x 11
Indoor Nominal CFM	2100	2100	2100	2100	2100
RPM	300-1500	300-1500	300-1500	300-1500	300-1500
Indoor Horsepower	1.2	1.2	1.2	1.2	2.3
Filter Size (in)	14 X 20 X 2, 20 X 20 X 2	14 X 20 X 2, 20 X 20 X 2	14 X 20 X 2, 20 X 20 X 2	14 X 20 X 2, 20 X 20 X 2	14 X 20 X 2, 20 X 20 X 2
Drain Size (NPT)	3/4	3/4	3/4	3/4	3/4
R-410A Refrigerant Charge (oz.)	110	110	110	110	110
Evaporator Coil Face Area (ft ²)	9.16	9.16	9.16	9.16	9.16
Rows Deep / Fins per Inch	3 / 16	3 / 16	3 / 16	3 / 16	3 / 16
CONDENSER FAN / MCHX (MICROCHANNEL HEAT EXCHANGER)					
Quantity of Condenser Fan Motors	1	1	1	1	1
RPM (High/Low stage)	1050	1050	1050	1050	1122
Outdoor Horsepower	1/3	1/3	1/3	1/3	1/3
Fan Diameter / # Fan Blades	22 / 4	22 / 4	22 / 4	22 / 4	22 / 4
Face Area (ft ²)	17.2	17.2	17.2	17.2	17.2
Rows Deep / Fins per Inch	1 / 23	1 / 23	1 / 23	1 / 23	1 / 23
COMPRESSOR (ALL SINGLE-STAGE)					
Quantity / Type / Stages	1 / Scroll / 2	1 / Scroll / 2	1 / Scroll / 2	1 / Scroll / 2	1 / Scroll / 2
Compressor RLA / LRA	8.5 / 66.1	6.3 / 55.3	6.3 / 55.3	6.3 / 55.3	17.6 / 136
ELECTRICAL DATA					
Voltage-Phase-Frequency	460-3-60	575-3-60	575-3-60	575-3-60	208/230-3-60
Indoor Blower FLA	2.5	2	2	2	7.7
Max External Static (In. W.C.)	0.8	0.8	0.8	0.8	1.8
Outdoor Fan FLA	0.85	0.67	0.67	0.67	2
Min. Circuit Ampacity ¹	13.9	10.6	10.6	10.6	31.7/31.7
Max. Overcurrent Protection (A) ²	20	15	15	15	45/45
Power Supply Conduit Hole Dia. (in)	1.125	1.125	1.125	1.125	1.125
Low-Voltage Conduit Hole Dia. (in)	0.5	0.5	0.5	0.5	0.5
OPERATING WEIGHT (LBS.)					
Operating Weight (lbs)	626	610	618	626	614
SHIPPING WEIGHT (LBS.)					
Ship Weight (lbs)	696	680	688	696	684

¹ Wire size should be determined in accordance with National Electrical Codes. Extensive wire runs will require larger wire sizes.

² May use fuses or HACR-type circuit breakers of the same size as noted.

Note: Always check the S&R plate for electrical data on the unit being installed.

Model	DFG0723WM00001F	DFG0723WH00001F	DFG0724WL00001F	DFG0724WM00001F	DFG0724WH00001F
COOLING CAPACITY					
Total BTU/H	69,000	69,000	69,000	69,000	69,000
IEER / EER	15.5 / 11.2	15.5 / 11.2	15.5 / 11.2	15.5 / 11.2	15.5 / 11.2
AHRI Reference #	208122212	208122212	208122213	208122213	208122213
HEATING CAPACITY					
Heat Range	Medium	High	Low	Medium	High
No. of Burners	5	6	4	5	6
High Stage Input / Output (KBTU/H)	115.0/92.0	140.0/112.0	90.0/72.0	115.0/92.0	140.0/112.0
Low Stage Input / Output (KBTU/H)	86.3/69.0	105.0/84.0	67.5/54.0	86.3/69.0	105.0/84.0
Thermal Efficiency (T.E.)	80	80	80	80	80
Annual Fuel Utilization Efficiency (AFUE)	--	--	--	--	--
High Stage Temperature Rise Range (°F)	25-55	35-65	25-55	25-55	35-65
Low Stage Temperature Rise Range (°F)	20-50	30-60	20-50	20-50	30-60
EVAPORATOR MOTOR / RTPF (ROUND TUBE PLATE FIN)					
Motor Type	Direct Drive	Direct Drive	Direct Drive	Direct Drive	Direct Drive
External Static Pressure (ESP)	High	High	High	High	High
Wheel Dia. X Width	12 x 11	12 x 11	12 x 11	12 x 11	12 x 11
Indoor Nominal CFM	2100	2100	2100	2100	2100
RPM	300-1500	300-1500	300-1500	300-1500	300-1500
Indoor Horsepower	2.3	2.3	2.3	2.3	2.3
Filter Size (in)	14 X 20 X 2, 20 X 20 X 2	14 X 20 X 2, 20 X 20 X 2	14 X 20 X 2, 20 X 20 X 2	14 X 20 X 2, 20 X 20 X 2	14 X 20 X 2, 20 X 20 X 2
Drain Size (NPT)	3/4	3/4	3/4	3/4	3/4
R-410A Refrigerant Charge (oz.)	110	110	110	110	110
Evaporator Coil Face Area (ft ²)	9.16	9.16	9.16	9.16	9.16
Rows Deep/ Fins per Inch	3 / 16	3 / 16	3 / 16	3 / 16	3 / 16
CONDENSER FAN / MCHX (MICROCHANNEL HEAT EXCHANGER)					
Quantity of Condenser Fan Motors	1	1	1	1	1
RPM (High/Low stage)	1122	1122	1050	1050	1050
Outdoor Horsepower	1/3	1/3	1/3	1/3	1/3
Fan Diameter/ # Fan Blades	22 / 4	22 / 4	22 / 4	22 / 4	22 / 4
Face Area (ft ²)	17.2	17.2	17.2	17.2	17.2
Rows Deep / Fins per Inch	1 / 23	1 / 23	1 / 23	1 / 23	1 / 23
COMPRESSOR (ALL SINGLE-STAGE)					
Quantity / Type / Stages	1 / Scroll / 2	1 / Scroll / 2	1 / Scroll / 2	1 / Scroll / 2	1 / Scroll / 2
Compressor RLA / LRA	17.6 / 136	17.6 / 136	8.5 / 66.1	8.5 / 66.1	8.5 / 66.1
ELECTRICAL DATA					
Voltage-Phase-Frequency	208/230-3-60	208/230-3-60	460-3-60	460-3-60	460-3-60
Indoor Blower FLA	7.7	7.7	4.5	4.5	4.5
Max External Static (In. W.C.)	1.8	1.8	1.8	1.8	1.8
Outdoor Fan FLA	2	2	0.85	0.85	0.85
Min. Circuit Ampacity ¹	31.7/31.7	31.7/31.7	15.9	15.9	15.9
Max. Overcurrent Protection (A) ²	45/45	45/45	20	20	20
Power Supply Conduit Hole Dia. (in)	1.125	1.125	1.125	1.125	1.125
Low-Voltage Conduit Hole Dia. (in)	0.5	0.5	0.5	0.5	0.5
OPERATING WEIGHT (LBS.)					
Operating Weight (lbs)	622	630	614	622	630
SHIPPING WEIGHT (LBS.)					
Ship Weight (lbs)	692	700	684	692	700

¹ Wire size should be determined in accordance with National Electrical Codes. Extensive wire runs will require larger wire sizes.

² May use fuses or HACR-type circuit breakers of the same size as noted.

Note: Always check the S&R plate for electrical data on the unit being installed.

Model	DFG0727WL00001F	DFG0727WM00001F	DFG0727WH00001F
COOLING CAPACITY			
Total BTU/H	69,000	69,000	69,000
IEER / EER	15.5 / 11.2	15.5 / 11.2	15.5 / 11.2
AHRI Reference #	208122214	208122214	208122214
HEATING CAPACITY			
Heat Range	Low	Medium	High
No. of Burners	4	5	6
High Stage Input / Output (KBTU/H)	90.0/72.0	115.0/92.0	140.0/112.0
Low Stage Input / Output (KBTU/H)	67.5/54.0	86.3/69.0	105.0/84.0
Thermal Efficiency (T.E.)	80	80	80
Annual Fuel Utilization Efficiency (AFUE)	--	--	--
High Stage Temperature Rise Range (°F)	25-55	25-55	35-65
Low Stage Temperature Rise Range (°F)	20-50	20-50	30-60
EVAPORATOR MOTOR / RTPF (ROUND TUBE PLATE FIN)			
Motor Type	Direct Drive	Direct Drive	Direct Drive
External Static Pressure (ESP)	High	High	High
Wheel Dia. X Width	12 x 11	12 x 11	12 x 11
Indoor Nominal CFM	2100	2100	2100
RPM	300-1500	300-1500	300-1500
Indoor Horsepower	2.3	2.3	2.3
Filter Size (in)	14 X 20 X 2, 20 X 20 X 2	14 X 20 X 2, 20 X 20 X 2	14 X 20 X 2, 20 X 20 X 2
Drain Size (NPT)	3/4	3/4	3/4
R-410A Refrigerant Charge (oz.)	110	110	110
Evaporator Coil Face Area (ft ²)	9.16	9.16	9.16
Rows Deep/ Fins per Inch	3 / 16	3 / 16	3 / 16
CONDENSER FAN / MCHX (MICROCHANNEL HEAT EXCHANGER)			
Quantity of Condenser Fan Motors	1	1	1
RPM (High/Low stage)	1050	1050	1050
Outdoor Horsepower	1/3	1/3	1/3
Fan Diameter/ # Fan Blades	22 / 4	22 / 4	22 / 4
Face Area (ft ²)	17.2	17.2	17.2
Rows Deep / Fins per Inch	1 / 23	1 / 23	1 / 23
COMPRESSOR (ALL SINGLE-STAGE)			
Quantity / Type / Stages	1 / Scroll / 2	1 / Scroll / 2	1 / Scroll / 2
Compressor RLA / LRA	6.3 / 55.3	6.3 / 55.3	6.3 / 55.3
ELECTRICAL DATA			
Voltage-Phase-Frequency	575-3-60	575-3-60	575-3-60
Indoor Blower FLA	3.8	3.8	3.8
Max External Static (In. W.C.)	1.8	1.8	1.8
Outdoor Fan FLA	0.67	0.67	0.67
Min. Circuit Ampacity ¹	12.4	12.4	12.4
Max. Overcurrent Protection (A) ²	15	15	15
Power Supply Conduit Hole Dia. (in)	1.125	1.125	1.125
Low-Voltage Conduit Hole Dia. (in)	0.5	0.5	0.5
OPERATING WEIGHT (LBS.)			
Operating Weight (lbs)	614	622	630
SHIPPING WEIGHT (LBS.)			
Ship Weight (lbs)	684	692	700

¹ Wire size should be determined in accordance with National Electrical Codes. Extensive wire runs will require larger wire sizes.

² May use fuses or HACR-type circuit breakers of the same size as noted.

Note: Always check the S&R plate for electrical data on the unit being installed.

Coil Dimensions

Model	Tons	Fin height in.	Fin length in.
DFG	3	24.248	38.068
DFG	4	24.248	38.068
DFG	5	24.248	38.068
DFG	6	34.640	38.068

AHRI Ratings

MODEL	CAPACITY	EER2	SEER2	EER	SEER	IEER
DFG036	35,000	11.0	13.4	11.5	14.0	-
DFG048	47,000	11.0	13.4	11.5	14.0	-
DFG060	59,000	11.0	13.4	11.5	14.0	-
DFG072	69,000	-	-	11.2	-	15.5

Sound Data

Model	OUTDOOR SOUND (DB) AT 60 HZ							
	A-Weighted	125	250	500	1000	2000	4000	8000
036	73	77.7	71.0	69.5	68.0	64.7	60.5	60.4
048	78.4	69.8	70.1	73.1	73.7	67.4	61.2	53.0
060	78.3	65.9	68.3	70.3	74.3	72.1	65.8	60.3
072	82	77.6	79.4	78.1	76.8	73.4	70.5	68.5

Notes:

¹ Outdoor sound data is measured in accordance with AHRI standard 270.

² Measurements are expressed in terms of sound power. Do not compare these values to sound pressure values because sound pressure depends on specific environment factors which normally do not match individual applications. Sound power values are independent of the environment and therefore more accurate.

³ A-weighted sound ratings filter out high and very low frequencies, to better approximate the response of "average" human ear. A-weighted measurements for Daikin units are taken in accordance with AHRI standard 270.

IDB	Airflow	Outdoor Ambient Temperature																							
		65				75				85				95				105				115			
		59	63	67	71	59	63	67	71	59	63	67	71	59	63	67	71	59	63	67	71	59	63	67	71
80	Capacity	36,002	36,512	37,591	39,239	35,679	36,189	37,268	38,916	34,736	35,246	36,325	37,973	33,113	33,623	34,702	36,350	31,130	31,640	32,719	34,367	29,320	29,830	30,909	32,557
	S/T	0.78	0.71	0.57	0.43	1.00	0.71	0.58	0.44	1.00	0.74	0.60	0.46	1.00	0.76	0.62	0.48	1.00	0.78	0.64	0.50	1.00	1.00	1.00	0.69
	Evap dT	27.36	25.63	22.40	19.05	27.31	25.58	22.35	19.00	27.55	25.82	22.59	19.24	27.29	25.56	22.33	18.98	27.06	25.33	22.10	18.75	28.14	26.41	23.18	19.84
	Pr Suc	118	119	122	127	125	127	130	135	131	133	136	141	137	138	141	146	142	144	147	152	149	150	153	158
	Pr Dis	254	255	257	261	294	295	297	302	337	338	339	344	382	383	385	389	431	432	434	438	483	484	486	491
TotalPower	2,091	2,089	2,084	2,104	2,350	2,348	2,343	2,363	2,639	2,637	2,633	2,653	2,952	2,950	2,946	2,966	3,302	3,300	3,296	3,315	3,713	3,711	3,706	3,726	
80	Capacity	36,800	37,310	38,389	40,037	36,476	36,987	38,066	39,714	35,533	36,043	37,122	38,770	33,911	34,421	35,500	37,148	31,928	32,438	33,517	35,165	30,117	30,627	31,706	33,354
	S/T	0.91	0.83	0.70	0.56	1.00	0.84	0.71	0.57	1.00	0.86	0.73	0.59	1.00	0.88	0.75	0.61	1.00	1.00	0.77	0.63	1.00	1.00	0.82	0.68
	Evap dT	25.30	23.57	20.34	16.99	25.25	23.52	20.29	16.94	25.49	23.76	20.53	17.18	25.23	23.50	20.27	16.92	25.00	23.27	20.04	16.69	26.08	24.35	21.12	17.78
	Pr Suc	121	122	125	131	128	130	133	138	135	136	139	144	140	141	144	149	145	147	150	155	152	153	156	161
	Pr Dis	258	259	261	265	298	299	301	306	341	342	343	348	386	387	389	393	435	436	438	442	487	488	490	495
TotalPower	2,117	2,115	2,111	2,131	2,376	2,374	2,370	2,390	2,666	2,664	2,659	2,679	2,979	2,977	2,972	2,992	3,329	3,327	3,322	3,342	3,739	3,737	3,733	3,752	
80	Capacity	37,569	38,079	39,158	40,806	37,246	37,756	38,835	40,483	36,303	36,813	37,892	39,540	34,680	35,190	36,269	37,917	32,697	33,207	34,286	35,934	30,886	31,397	32,476	34,124
	S/T	1.00	0.87	0.74	0.60	1.00	0.88	0.75	0.60	1.00	0.90	0.77	0.63	1.00	0.92	0.79	0.65	1.00	1.00	0.81	0.67	1.00	1.00	0.86	0.72
	Evap dT	24.17	22.44	19.21	15.86	24.12	22.39	19.16	15.81	24.36	22.63	19.40	16.05	24.10	22.37	19.14	15.79	23.87	22.14	18.91	15.56	24.95	23.22	19.99	16.65
	Pr Suc	124	125	128	133	131	132	135	140	137	139	142	147	142	144	147	152	148	149	152	157	154	156	159	164
	Pr Dis	261	262	264	268	301	302	304	308	343	344	346	351	389	390	392	396	438	439	441	445	490	491	493	497
TotalPower	2,132	2,130	2,125	2,145	2,391	2,389	2,384	2,404	2,680	2,678	2,674	2,694	2,993	2,991	2,987	3,007	3,343	3,341	3,337	3,356	3,754	3,751	3,747	3,767	
85	Capacity	36,611	37,121	38,200	39,848	36,287	36,797	37,876	39,524	35,344	35,854	36,933	38,581	33,722	34,232	35,311	36,959	31,739	32,249	33,328	34,976	29,928	30,438	31,517	33,165
	S/T	1.00	0.81	0.67	0.53	1.00	0.81	0.68	0.54	1.00	0.84	0.70	0.56	1.00	1.00	0.72	0.58	1.00	1.00	0.74	0.60	1.00	1.00	0.79	0.65
	Evap dT	30.75	29.02	25.79	22.45	30.71	28.98	25.74	22.40	30.95	29.22	25.99	22.64	30.69	28.96	25.73	22.38	30.46	28.73	25.50	22.15	31.54	29.81	26.58	23.23
	Pr Suc	120	121	124	129	127	128	131	136	133	135	138	143	139	140	143	148	144	145	148	153	150	152	155	160
	Pr Dis	255	256	258	263	296	297	298	303	338	339	341	345	383	384	386	390	432	433	435	439	484	486	487	492
TotalPower	2,096	2,094	2,089	2,109	2,355	2,353	2,348	2,368	2,644	2,642	2,638	2,658	2,957	2,955	2,951	2,971	3,307	3,305	3,301	3,320	3,717	3,715	3,711	3,731	
85	Capacity	37,408	37,918	38,997	40,645	37,085	37,595	38,674	40,322	36,142	36,652	37,731	39,379	34,519	35,029	36,108	37,756	32,536	33,046	34,125	35,773	30,726	31,236	32,315	33,963
	S/T	1.00	0.93	0.80	0.66	1.00	0.94	0.81	0.67	1.00	1.00	0.83	0.69	1.00	1.00	0.85	0.71	1.00	1.00	0.87	0.73	1.00	1.00	0.923	0.782
	Evap dT	28.69	26.96	23.73	20.39	28.65	26.92	23.69	20.34	28.89	27.16	23.93	20.58	28.63	26.90	23.67	20.32	28.40	26.67	23.44	20.09	29.48	27.75	24.52	21.17
	Pr Suc	123	124	127	132	130	131	134	140	136	138	141	146	142	143	146	151	147	148	151	156	153	155	158	163
	Pr Dis	259	260	262	267	300	301	302	307	342	343	345	349	387	388	390	395	436	437	439	444	488	490	491	496
TotalPower	2,122	2,120	2,116	2,136	2,381	2,379	2,375	2,395	2,671	2,669	2,664	2,684	2,984	2,982	2,977	2,997	3,334	3,332	3,327	3,347	3,744	3,742	3,738	3,757	
85	Capacity	38,177	38,688	39,767	41,415	37,854	38,364	39,443	41,091	36,911	37,421	38,500	40,148	35,288	35,799	36,877	38,526	33,305	33,816	34,894	36,542	31,495	32,005	33,084	34,732
	S/T	1.00	0.97	0.84	0.70	1.00	0.98	0.85	0.70	1.00	1.00	0.87	0.73	1.00	1.00	0.89	0.75	1.00	1.00	0.91	0.77	1.00	1.00	0.82	0.68
	Evap dT	27.56	25.83	22.60	19.26	27.52	25.79	22.55	19.21	27.76	26.03	22.80	19.45	27.50	25.77	22.54	19.19	27.27	25.54	22.31	18.96	28.35	26.62	23.39	20.04
	Pr Suc	125	127	130	135	133	134	137	142	139	140	143	148	144	146	149	154	150	151	154	159	156	158	161	166
	Pr Dis	262	263	265	269	302	303	305	310	345	346	347	352	390	391	393	397	439	440	442	446	491	492	494	499
TotalPower	2,137	2,135	2,130	2,150	2,396	2,394	2,389	2,409	2,685	2,683	2,679	2,699	2,998	2,996	2,992	3,012	3,348	3,346	3,342	3,361	3,758	3,756	3,752	3,772	

Shaded area reflects AHR1 (TVA) conditions
 W = Total system power
 Amps: Unit amps (comp.+ evaporator + condenser fan motors)
 Amperage reflects AHR1 (TVA) conditions
 High and low pressures are measured at the liquid and suction access fittings.
 Design Subcooling, 16 - 19 °F @ the liquid access fitting connection ARI 95 test conditions. Design Superheat 8 - 12 °F @ the compressor suction access fitting connection.

IDB	Airflow	ID WB	Outdoor Ambient Temperature																	
			65			75			85			95			105			115		
			59	63	71	59	63	71	59	63	71	59	63	71	59	63	71	59	63	71
70	1200	Capacity	47,343	48,018	49,446	46,914	47,590	49,018	45,666	46,341	47,770	43,518	44,193	45,621	40,892	41,568	42,996	38,495	39,171	40,599
		S/T	0.53	0.46	0.32	0.54	0.46	0.33	0.57	0.49	0.35	0.59	0.51	0.37	1.00	0.53	0.39	1.00	0.58	0.45
		Evap dT	19.71	17.99	14.78	19.66	17.94	14.74	19.90	18.18	14.98	19.64	17.93	14.72	19.41	17.70	14.49	20.49	18.77	15.56
		Pr Suc	121	122	126	128	130	133	135	136	139	140	142	145	146	147	150	153	154	157
		Pr Dis	252	253	255	292	293	295	334	335	337	379	380	382	428	429	431	480	481	483
		TotalPower	2,821	2,818	2,813	3,135	3,132	3,127	3,486	3,483	3,478	3,865	3,863	3,857	4,289	4,287	4,281	4,787	4,784	4,779
70	1570	Capacity	48,445	49,121	50,549	48,017	48,693	50,121	46,769	47,444	48,872	44,620	45,296	46,724	41,995	42,670	44,099	39,598	40,273	41,702
		S/T	0.68	0.60	0.46	0.68	0.61	0.47	0.71	0.63	0.49	1.00	0.65	0.51	1.00	0.67	0.54	1.00	0.73	0.59
		Evap dT	17.53	15.81	12.61	17.48	15.77	12.56	17.73	16.01	12.80	17.47	15.75	12.54	17.24	15.52	12.31	18.31	16.59	13.39
		Pr Suc	124	126	129	132	133	136	138	140	143	144	145	148	149	151	154	156	157	161
		Pr Dis	256	257	259	296	297	299	338	339	341	383	385	386	432	433	435	484	485	487
		TotalPower	2,855	2,852	2,847	3,169	3,167	3,161	3,520	3,517	3,512	3,899	3,897	3,892	4,323	4,321	4,316	4,821	4,819	4,813
75	1800	Capacity	49,344	50,019	51,448	48,916	49,591	51,020	47,667	48,343	49,771	45,519	46,194	47,623	42,894	43,569	44,997	40,497	41,172	42,601
		S/T	0.72	0.64	0.50	0.72	0.64	0.51	0.75	0.67	0.53	1.00	0.69	0.55	1.00	0.71	0.57	1.00	0.76	0.63
		Evap dT	16.52	14.80	11.60	16.47	14.75	11.55	16.71	15.00	11.79	16.45	14.74	11.53	16.22	14.51	11.30	17.30	15.58	12.38
		Pr Suc	127	128	131	134	136	139	141	142	145	146	148	151	151	153	156	158	160	163
		Pr Dis	259	260	261	299	300	302	341	342	344	386	387	389	435	436	438	487	488	490
		TotalPower	2,871	2,868	2,863	3,185	3,182	3,177	3,536	3,533	3,528	3,915	3,913	3,907	4,339	4,337	4,331	4,837	4,834	4,829
75	1200	Capacity	47,370	48,046	49,474	46,942	47,618	49,046	45,694	46,369	47,798	43,545	44,221	45,649	40,920	41,595	43,024	38,523	39,199	40,627
		S/T	0.67	0.59	0.45	0.67	0.59	0.46	1.00	0.62	0.48	1.00	0.64	0.50	1.00	0.66	0.52	1.00	0.71	0.58
		Evap dT	23.48	21.77	18.56	23.44	21.72	18.51	23.68	21.96	18.75	23.42	21.70	18.49	23.19	21.47	18.27	24.26	22.55	19.34
		Pr Suc	121	122	126	128	130	133	135	136	140	140	142	145	146	147	150	153	154	157
		Pr Dis	252	253	255	292	293	295	334	335	337	379	381	382	428	429	431	480	481	483
		TotalPower	2,819	2,816	2,811	3,133	3,130	3,125	3,484	3,481	3,476	3,863	3,861	3,855	4,287	4,285	4,279	4,785	4,782	4,777
75	1570	Capacity	48,473	49,148	50,577	48,045	48,720	50,149	46,796	47,472	48,900	44,648	45,324	46,752	42,023	42,698	44,127	39,626	40,301	41,730
		S/T	0.81	0.73	0.59	0.81	0.74	0.60	1.00	0.76	0.62	1.00	0.78	0.64	1.00	0.81	0.67	1.00	1.00	0.72
		Evap dT	21.31	19.59	16.38	21.26	19.54	16.34	21.50	19.78	16.58	21.24	19.52	16.32	21.01	19.30	16.09	22.09	20.37	17.16
		Pr Suc	124	126	129	132	133	136	138	140	143	144	145	148	149	151	154	156	157	161
		Pr Dis	256	257	259	296	298	299	338	340	341	384	385	387	432	434	435	484	486	487
		TotalPower	2,853	2,850	2,845	3,167	3,165	3,159	3,518	3,515	3,510	3,897	3,895	3,889	4,321	4,319	4,314	4,819	4,816	4,811
75	1800	Capacity	49,372	50,047	51,476	48,944	49,619	51,048	47,695	48,371	49,799	45,547	46,222	47,651	42,922	43,597	45,025	40,525	41,200	42,629
		S/T	0.85	0.77	0.63	0.85	0.78	0.64	1.00	0.80	0.66	1.00	0.82	0.68	1.00	0.84	0.71	1.00	1.00	0.76
		Evap dT	20.29	18.58	15.37	20.25	18.53	15.32	20.49	18.77	15.57	20.23	18.51	15.31	20.00	18.28	15.08	21.08	19.36	16.15
		Pr Suc	127	128	131	134	136	139	141	142	145	146	148	151	152	153	156	158	160	163
		Pr Dis	259	260	262	299	300	302	341	342	344	386	387	389	435	436	438	487	488	490
		TotalPower	2,869	2,866	2,861	3,183	3,180	3,175	3,534	3,531	3,526	3,913	3,911	3,905	4,337	4,335	4,329	4,835	4,832	4,827

W = Total system power
 Amps: Unit amps (comp.+ evaporator + condenser fan motors)
 Amperage at the compressor suction access fitting connection.

Shaded area reflects ACCA (TVA) conditions

IDB: Entering Indoor Dry Bulb Temperature
 High and low pressures are measured at the liquid and suction access fittings.
 Design Subcooling, 16 - 19 °F @ the liquid access fitting connection ARI 95 test conditions. Design Superheat 8 - 12°F @ the compressor suction access fitting connection.

IDB	Airflow	ID WB	Outdoor Ambient Temperature																							
			65				75				85				95				105				115			
			59	63	67	71	59	63	67	71	59	63	67	71	59	63	67	71	59	63	67	71	59	63	67	71
		Capacity	47,618	48,293	49,722	51,904	47,190	47,865	49,294	51,476	45,941	46,617	48,045	50,227	43,793	44,469	45,897	48,079	41,168	41,843	43,272	45,453	38,771	39,446	40,875	43,057
		S/T	0.79	0.72	0.58	0.43	1.00	0.72	0.58	0.44	1.00	0.75	0.61	0.46	1.00	0.77	0.63	0.48	1.00	1.00	0.65	0.51	1.00	1.00	0.70	0.56
	1200	Evap dT	27.28	25.57	22.36	19.04	27.24	25.52	22.31	18.99	27.48	25.76	22.55	19.23	27.22	25.50	22.30	18.97	26.99	25.27	22.07	18.74	28.07	26.35	23.14	19.82
		Pr Suc	121	123	126	131	129	130	134	139	135	137	140	145	141	142	146	151	146	148	151	156	153	155	158	163
		Pr Dis	253	254	255	260	293	294	296	300	335	336	338	342	380	381	383	387	429	430	432	436	481	482	484	488
		TotalPower	2,820	2,818	2,812	2,836	3,134	3,132	3,127	3,151	3,485	3,483	3,477	3,501	3,865	3,862	3,857	3,881	4,289	4,286	4,281	4,305	4,786	4,784	4,779	4,803
		Capacity	48,721	49,396	50,825	53,007	48,293	48,968	50,397	52,579	47,044	47,720	49,148	51,330	44,896	45,571	47,000	49,182	42,270	42,946	44,374	46,556	39,874	40,549	41,977	44,159
		S/T	1.00	0.86	0.72	0.58	1.00	0.86	0.73	0.58	1.00	0.89	0.75	0.61	1.00	1.00	0.77	0.63	1.00	1.00	0.79	0.65	1.00	1.00	0.85	0.70
	80	Evap dT	25.11	23.39	20.18	16.86	25.06	23.34	20.14	16.82	25.30	23.59	20.38	17.06	25.04	23.33	20.12	16.80	24.81	23.10	19.89	16.57	25.89	24.17	20.97	17.64
		Pr Suc	125	126	129	135	132	134	137	142	139	140	143	149	144	146	149	154	150	151	154	160	156	158	161	166
		Pr Dis	257	258	260	264	297	298	300	304	339	340	342	346	384	385	387	391	433	434	436	440	485	486	488	492
		TotalPower	2,854	2,852	2,847	2,871	3,169	3,166	3,161	3,185	3,519	3,517	3,512	3,536	3,899	3,897	3,891	3,915	4,323	4,321	4,315	4,339	4,821	4,818	4,813	4,837
		Capacity	49,620	50,295	51,723	53,905	49,192	49,867	51,295	53,477	47,943	48,618	50,047	52,229	45,795	46,470	47,899	50,080	43,169	43,845	45,273	47,455	40,772	41,448	42,876	45,058
		S/T	1.00	0.90	0.76	0.61	1.00	0.90	0.77	0.62	1.00	0.93	0.79	0.65	1.00	1.00	0.81	0.66	1.00	1.00	0.83	0.69	1.00	1.00	0.89	0.74
	1800	Evap dT	24.10	22.38	19.17	15.85	24.05	22.33	19.13	15.80	24.29	22.57	19.37	16.04	24.03	22.31	19.11	15.79	23.80	22.08	18.88	15.56	24.88	23.16	19.95	16.63
		Pr Suc	127	129	132	137	135	136	139	144	141	143	146	151	147	148	151	156	152	154	157	162	159	160	163	169
		Pr Dis	259	260	262	267	299	300	302	307	341	342	344	349	387	388	389	394	435	436	438	443	487	488	490	495
		TotalPower	2,870	2,868	2,862	2,886	3,184	3,182	3,177	3,201	3,535	3,533	3,527	3,551	3,915	3,912	3,907	3,931	4,339	4,336	4,331	4,355	4,836	4,834	4,829	4,853
		Capacity	48,424	49,099	50,528	52,710	47,996	48,671	50,100	52,281	46,747	47,423	48,851	51,033	44,599	45,274	46,703	48,885	41,973	42,649	44,077	46,259	39,577	40,252	41,680	43,862
		S/T	1.00	0.82	0.68	0.54	1.00	0.83	0.69	0.54	1.00	1.00	0.71	0.57	1.00	1.00	0.73	0.59	1.00	1.00	0.76	0.61	1.00	1.00	0.80	0.66
	1200	Evap dT	30.66	28.94	25.73	22.41	30.61	28.89	25.68	22.36	30.85	29.13	25.93	22.60	30.59	28.87	25.67	22.35	30.36	28.64	25.44	22.12	31.44	29.72	26.51	23.19
		Pr Suc	123	125	128	133	131	132	135	141	137	139	142	147	143	144	147	153	148	150	153	158	155	156	160	165
		Pr Dis	254	255	257	261	294	295	297	301	336	337	339	343	381	382	384	388	430	431	433	437	482	483	485	489
		TotalPower	2,826	2,824	2,818	2,842	3,140	3,138	3,133	3,157	3,491	3,489	3,483	3,507	3,871	3,868	3,863	3,887	4,295	4,292	4,287	4,311	4,792	4,790	4,785	4,809
		Capacity	49,527	50,202	51,630	53,812	49,099	49,774	51,202	53,384	47,850	48,525	49,954	52,136	45,702	46,377	47,805	49,987	43,076	43,752	45,180	47,362	40,679	41,355	42,783	44,965
		S/T	1.00	0.96	0.82	0.68	1.00	1.00	0.83	0.68	1.00	1.00	0.86	0.71	1.00	1.00	0.88	0.73	1.00	1.00	0.90	0.75	1.00	1.00	1.00	0.80
	85	Evap dT	28.48	26.76	23.56	20.23	28.43	26.72	23.51	20.19	28.67	26.96	23.75	20.43	28.42	26.70	23.49	20.17	28.19	26.47	23.26	19.94	29.26	27.54	24.34	21.02
		Pr Suc	127	128	131	136	134	136	139	144	141	142	145	150	146	148	151	156	152	153	156	161	158	160	163	168
		Pr Dis	258	259	261	265	298	299	301	305	340	341	343	347	385	386	388	393	434	435	437	441	486	487	489	493
		TotalPower	2,860	2,858	2,853	2,877	3,175	3,172	3,167	3,191	3,525	3,523	3,518	3,542	3,905	3,903	3,897	3,921	4,329	4,327	4,321	4,345	4,827	4,824	4,819	4,843
		Capacity	50,425	51,101	52,529	54,711	49,997	50,673	52,101	54,283	48,749	49,424	50,852	53,034	46,600	47,276	48,704	50,886	43,975	44,650	46,079	48,261	41,578	42,254	43,682	45,864
		S/T	1.00	1.00	0.86	0.72	1.00	1.00	0.87	0.72	1.00	1.00	0.89	0.75	1.00	1.00	0.91	0.77	1.00	1.00	0.90	0.79	1.00	1.00	1.00	0.84
	1800	Evap dT	27.47	25.75	22.54	19.22	27.42	25.70	22.50	19.18	27.66	25.94	22.74	19.42	27.40	25.69	22.48	19.16	27.17	25.46	22.25	18.93	28.25	26.53	23.32	20.00
		Pr Suc	129	130	134	139	136	138	141	146	143	144	148	153	148	150	153	158	154	155	159	164	161	162	165	170
		Pr Dis	260	262	263	268	301	302	303	308	343	344	345	350	388	389	391	395	437	438	439	444	489	490	491	496
		TotalPower	2,876	2,874	2,868	2,892	3,190	3,188	3,183	3,207	3,541	3,539	3,533	3,557	3,921	3,918	3,913	3,937	4,345	4,342	4,337	4,361	4,842	4,840	4,835	4,859

W = Total system power
 Amperage: Unit amps (comp.+ evaporator + condenser fan motors)
 Shaded area reflects AHR1 (TVA) conditions
 High and low pressures are measured at the liquid and suction access fittings.
 Design Subcooling, 16 - 19 °F @ the liquid access fitting connection ARI 95 test conditions. Design Superheat 8 - 12°F @ the compressor suction access fitting connection.

		Outdoor Ambient Temperature												Entering Indoor Wet Bulb Temperature											
		65				75				85				95				105				115			
IDB	Airflow	59	63	67	71	59	63	67	71	59	63	67	71	59	63	67	71	59	63	67	71	59	63	67	71
70	Capacity	59,742	60,590	62,383	-	59,205	60,053	61,846	-	57,637	58,485	60,278	-	54,941	55,789	57,582	-	51,645	52,493	54,286	-	48,636	49,484	51,277	-
	S/T	0.56	0.48	0.35	-	0.56	0.49	0.36	-	0.59	0.51	0.38	-	0.61	0.53	0.40	-	0.63	0.55	0.42	-	1.00	0.60	0.47	-
	Evap dT	20.23	18.41	15.00	-	20.18	18.36	14.95	-	20.44	18.61	15.21	-	20.16	18.34	14.94	-	19.92	18.09	14.69	-	21.06	19.24	15.83	-
	Pr Suc	118	119	122	-	125	126	129	-	131	133	136	-	136	138	141	-	142	143	146	-	148	150	153	-
	Pr Dis	263	264	266	-	305	306	308	-	349	350	352	-	396	397	399	-	447	448	450	-	501	502	504	-
	TotalPower	3,650	3,647	3,639	-	4,085	4,081	4,074	-	4,570	4,566	4,559	-	5,094	5,091	5,084	-	5,681	5,677	5,670	-	6,369	6,365	6,358	-
1500	Capacity	60,814	61,662	63,455	-	60,277	61,125	62,918	-	58,710	59,557	61,350	-	56,013	56,861	58,654	-	52,717	53,565	55,358	-	49,708	50,556	52,349	-
	S/T	0.65	0.57	0.44	-	0.65	0.58	0.45	-	0.68	0.60	0.47	-	0.70	0.62	0.49	-	1.00	0.64	0.51	-	1.00	0.69	0.56	-
	Evap dT	18.61	16.78	13.38	-	18.56	16.74	13.33	-	18.81	16.99	13.59	-	18.54	16.72	13.31	-	18.30	16.47	13.07	-	19.44	17.61	14.21	-
	Pr Suc	120	121	124	-	127	129	132	-	133	135	138	-	139	140	143	-	144	146	149	-	151	152	155	-
	Pr Dis	267	268	270	-	308	309	311	-	352	353	355	-	399	400	402	-	450	451	453	-	504	505	507	-
	TotalPower	3,683	3,680	3,672	-	4,118	4,114	4,107	-	4,603	4,599	4,592	-	5,128	5,124	5,117	-	5,714	5,711	5,703	-	6,402	6,398	6,391	-
2250	Capacity	62,764	63,611	65,405	-	62,226	63,074	64,867	-	60,659	61,507	63,300	-	57,962	58,810	60,603	-	54,666	55,514	57,307	-	51,658	52,505	54,299	-
	S/T	0.69	0.62	0.49	-	0.70	0.62	0.49	-	0.72	0.65	0.52	-	0.74	0.67	0.53	-	1.00	0.69	0.56	-	1.00	0.74	0.61	-
	Evap dT	16.95	15.12	11.72	-	16.90	15.07	11.67	-	17.15	15.33	11.93	-	16.88	15.05	11.65	-	16.63	14.81	11.41	-	17.77	15.95	12.55	-
	Pr Suc	124	125	128	-	131	133	136	-	137	139	142	-	143	144	147	-	148	149	152	-	154	156	159	-
	Pr Dis	271	272	274	-	312	314	315	-	356	357	359	-	403	404	406	-	454	455	457	-	508	509	511	-
	TotalPower	3,717	3,714	3,706	-	4,152	4,148	4,141	-	4,637	4,633	4,626	-	5,161	5,158	5,151	-	5,748	5,744	5,737	-	6,436	6,432	6,425	-
75	Capacity	59,777	60,625	62,418	65,157	59,240	60,088	61,881	64,620	57,672	58,520	60,313	63,052	54,976	55,823	57,617	60,356	51,680	52,528	54,321	57,060	48,671	49,519	51,312	54,051
	S/T	0.68	0.61	0.48	0.34	0.69	0.61	0.48	0.34	0.71	0.64	0.51	0.37	1.00	0.66	0.53	0.39	1.00	0.68	0.55	0.41	1.00	0.73	0.60	0.46
	Evap dT	24.24	22.41	19.01	15.49	24.19	22.36	18.96	15.44	24.44	22.62	19.22	15.69	24.17	22.35	18.94	15.42	23.93	22.10	18.70	15.17	25.07	23.24	19.84	16.31
	Pr Suc	118	119	122	127	125	126	129	134	131	133	136	141	136	138	141	146	142	143	146	151	148	150	153	158
	Pr Dis	264	265	267	271	305	306	308	313	349	350	352	357	396	397	399	404	447	448	450	454	501	502	504	508
	TotalPower	3,647	3,644	3,636	3,670	4,082	4,078	4,071	4,104	4,567	4,563	4,556	4,589	5,092	5,088	5,081	5,114	5,678	5,675	5,667	5,700	6,366	6,362	6,355	6,388
1500	Capacity	60,849	61,697	63,490	66,229	60,312	61,160	62,953	65,692	58,744	59,592	61,385	64,124	56,048	56,896	58,689	61,428	52,752	53,600	55,393	58,132	49,743	50,591	52,384	55,123
	S/T	0.77	0.70	0.57	0.43	0.78	0.70	0.57	0.43	1.00	0.73	0.60	0.46	1.00	0.75	0.62	0.48	1.00	0.77	0.64	0.50	1.00	0.82	0.69	0.55
	Evap dT	22.62	20.79	17.39	13.86	22.57	20.74	17.34	13.81	22.82	21.00	17.60	14.07	22.55	20.72	17.32	13.79	22.30	20.48	17.08	13.55	23.44	21.62	18.22	14.69
	Pr Suc	120	121	124	130	127	129	132	137	134	135	138	143	139	140	143	148	144	146	149	154	151	152	155	160
	Pr Dis	267	268	270	274	308	310	311	316	352	353	355	360	399	400	402	407	450	451	453	458	504	505	507	512
	TotalPower	3,681	3,677	3,670	3,703	4,115	4,112	4,104	4,137	4,600	4,597	4,589	4,622	5,125	5,121	5,114	5,147	5,711	5,708	5,700	5,734	6,399	6,396	6,388	6,421
1820	Capacity	62,799	63,646	65,440	68,179	62,261	63,109	64,902	67,641	60,694	61,542	63,335	66,074	57,997	58,845	60,638	63,377	54,701	55,549	57,342	60,081	51,693	52,540	54,334	57,073
	S/T	0.82	0.74	0.61	0.47	0.82	0.75	0.62	0.48	1.00	0.77	0.64	0.50	1.00	0.79	0.66	0.52	1.00	0.81	0.68	0.54	1.00	1.00	0.73	0.59
	Evap dT	20.95	19.13	15.73	12.20	20.90	19.08	15.68	12.15	21.16	19.34	15.93	12.41	20.88	19.06	15.66	12.13	20.64	18.82	15.41	11.89	21.78	19.96	16.56	13.03
	Pr Suc	124	125	128	133	131	133	136	141	137	139	142	147	143	144	147	152	148	149	152	157	154	156	159	164
	Pr Dis	271	272	274	279	313	314	316	320	356	357	359	364	403	405	406	411	454	455	457	462	508	509	511	516
	TotalPower	3,714	3,711	3,703	3,737	4,149	4,145	4,138	4,171	4,634	4,630	4,623	4,656	5,159	5,155	5,148	5,181	5,745	5,742	5,734	5,767	6,433	6,429	6,422	6,455

IDB: Entering Indoor Dry Bulb Temperature
 High and low pressures are measured at the liquid and suction access fittings.
 Design Subcooling, 16 - 19 °F @ the liquid access fitting connection ARI 95 test conditions. Design Superheat 8 - 12°F @ the compressor suction access fitting connection.
 Shaded area reflects ACCA (TVA) conditions
 W = Total system power
 Amps: Unit amps (comp.+ evaporator + condenser fan motors)

IDB	Airflow	Outdoor Ambient Temperature																								
		65				75				85				95				105				115				
		59	63	67	71	59	63	67	71	59	63	67	71	59	63	67	71	59	63	67	71	59	63	67	71	
80	1500	Capacity	60,088	60,936	62,729	65,468	59,551	60,399	62,192	64,931	57,983	58,831	60,624	63,363	55,287	56,134	57,928	60,667	51,991	52,839	54,632	57,371	48,982	49,830	51,623	54,362
		S/T	0.80	0.73	0.60	0.46	1.00	0.74	0.60	0.47	1.00	0.76	0.63	0.49	1.00	0.78	0.65	0.51	1.00	0.80	0.67	0.53	1.00	1.00	0.72	0.58
		Evap dT	28.27	26.45	23.05	19.52	28.22	26.40	23.00	19.47	28.48	26.66	23.25	19.73	28.20	26.38	22.98	19.45	27.96	26.14	22.73	19.21	29.10	27.28	23.88	20.35
		Pr Suc	118	120	123	128	125	127	130	135	132	133	136	141	137	138	141	146	142	144	147	152	149	150	153	158
		Pr Dis	264	265	267	272	306	307	309	313	349	351	352	357	397	398	400	404	447	448	450	455	501	503	504	509
		TotalPower	3,650	3,646	3,639	3,672	4,084	4,081	4,073	4,106	4,569	4,566	4,558	4,591	5,094	5,090	5,083	5,116	5,680	5,677	5,669	5,703	6,368	6,365	6,357	6,391
80	1820	Capacity	61,160	62,008	63,801	66,540	60,623	61,471	63,264	66,003	59,055	59,903	61,696	64,435	56,359	57,207	59,000	61,739	53,063	53,911	55,704	58,443	50,054	50,902	52,695	55,434
		S/T	0.89	0.82	0.69	0.55	1.00	0.83	0.69	0.56	1.00	0.85	0.72	0.58	1.00	0.87	0.74	0.60	1.00	1.00	0.76	0.62	1.00	1.00	0.81	0.67
		Evap dT	26.65	24.83	21.42	17.90	26.60	24.78	21.37	17.85	26.86	25.03	21.63	18.10	26.58	24.76	21.36	17.83	26.34	24.52	21.11	17.59	27.48	25.66	22.25	18.73
		Pr Suc	121	122	125	130	128	129	132	137	134	135	139	144	139	141	144	149	145	146	149	154	151	153	156	161
		Pr Dis	267	268	270	275	309	310	312	317	353	354	356	360	400	401	403	407	450	452	453	458	505	506	508	512
		TotalPower	3,683	3,679	3,672	3,705	4,117	4,114	4,106	4,140	4,602	4,599	4,591	4,625	5,127	5,124	5,116	5,149	5,713	5,710	5,703	5,736	6,401	6,398	6,391	6,424
80	2250	Capacity	63,110	63,957	65,751	68,490	62,572	63,420	65,213	67,952	61,005	61,853	63,646	66,385	58,308	59,156	60,949	63,688	55,012	55,860	57,653	60,392	52,004	52,851	54,645	57,384
		S/T	1.00	0.86	0.73	0.59	1.00	0.87	0.74	0.60	1.00	0.89	0.76	0.62	1.00	0.91	0.78	0.64	1.00	1.00	0.80	0.66	1.00	1.00	0.85	0.71
		Evap dT	24.99	23.16	19.76	16.24	24.94	23.12	19.71	16.19	25.19	23.37	19.97	16.44	24.92	23.10	19.69	16.17	24.68	22.85	19.45	15.92	25.82	23.99	20.59	17.07
		Pr Suc	124	126	129	134	132	133	136	141	138	139	142	147	143	145	148	153	148	150	153	158	155	156	159	165
		Pr Dis	271	273	274	279	313	314	316	321	357	358	360	364	404	405	407	411	455	456	458	462	509	510	512	516
		TotalPower	3,717	3,713	3,706	3,739	4,151	4,148	4,140	4,173	4,636	4,633	4,625	4,658	5,161	5,157	5,150	5,183	5,747	5,744	5,736	5,770	6,435	6,432	6,424	6,458
85	1500	Capacity	61,100	61,947	63,740	66,479	60,562	61,410	63,203	65,942	58,995	59,843	61,636	64,375	56,298	57,146	58,939	61,678	53,002	53,850	55,643	58,382	49,994	50,841	52,634	55,373
		S/T	1.00	0.83	0.70	0.56	1.00	0.83	0.70	0.56	1.00	0.86	0.73	0.59	1.00	1.00	0.75	0.61	1.00	1.00	0.77	0.63	1.00	1.00	0.82	0.68
		Evap dT	31.85	30.03	26.62	23.10	31.80	29.98	26.57	23.05	32.06	30.23	26.83	23.31	31.78	29.96	26.56	23.03	31.54	29.72	26.31	22.79	32.68	30.86	27.45	23.93
		Pr Suc	120	121	124	129	127	129	132	137	133	135	138	143	139	140	143	148	144	145	148	153	150	152	155	160
		Pr Dis	265	266	268	273	307	308	310	315	351	352	354	358	398	399	401	405	448	450	451	456	503	504	506	510
		TotalPower	3,658	3,654	3,647	3,680	4,092	4,089	4,082	4,115	4,577	4,574	4,566	4,600	5,102	5,099	5,091	5,125	5,689	5,685	5,678	5,711	6,376	6,373	6,366	6,399
85	1820	Capacity	62,172	63,019	64,813	67,552	61,634	62,482	64,275	67,014	60,067	60,915	62,708	65,447	57,370	58,218	60,011	62,750	54,074	54,922	56,715	59,454	51,066	51,913	53,707	56,446
		S/T	1.00	0.92	0.79	0.65	1.00	0.93	0.79	0.65	1.00	1.00	0.82	0.68	1.00	1.00	0.84	0.70	1.00	1.00	0.86	0.72	1.00	1.00	0.908	0.769
		Evap dT	30.23	28.41	25.00	21.48	30.18	28.36	24.95	21.43	30.43	28.61	25.21	21.68	30.16	28.34	24.93	21.41	29.92	28.09	24.69	21.16	31.06	29.23	25.83	22.31
		Pr Suc	122	124	127	132	130	131	134	139	136	137	140	145	141	143	146	151	146	148	151	156	153	154	157	162
		Pr Dis	269	270	272	276	310	311	313	318	354	355	357	362	401	402	404	409	452	453	455	459	506	507	509	513
		TotalPower	3,691	3,688	3,680	3,713	4,126	4,122	4,115	4,148	4,611	4,607	4,600	4,633	5,135	5,132	5,125	5,158	5,722	5,718	5,711	5,744	6,410	6,406	6,399	6,432
85	2250	Capacity	64,121	64,969	66,762	69,501	63,584	64,431	66,225	68,964	62,016	62,864	64,657	67,396	59,320	60,167	61,960	64,699	56,024	56,872	58,665	61,404	53,015	53,863	55,656	58,395
		S/T	1.00	0.96	0.83	0.69	1.00	0.97	0.84	0.70	1.00	1.00	0.86	0.72	1.00	1.00	0.88	0.74	1.00	1.00	0.90	0.76	1.00	1.00	1.00	0.81
		Evap dT	28.57	26.74	23.34	19.81	28.52	26.69	23.29	19.76	28.77	26.95	23.55	20.02	28.50	26.67	23.27	19.75	28.25	26.43	23.03	19.50	29.40	27.57	24.17	20.64
		Pr Suc	126	128	131	136	133	135	138	143	140	141	144	149	145	146	149	155	150	152	155	160	157	158	161	166
		Pr Dis	273	274	276	280	314	316	317	322	358	359	361	366	405	406	408	413	456	457	459	463	510	511	513	518
		TotalPower	3,725	3,722	3,714	3,747	4,159	4,156	4,149	4,182	4,644	4,641	4,634	4,667	5,169	5,166	5,158	5,192	5,756	5,752	5,745	5,778	6,444	6,440	6,433	6,466

IDB: Entering Indoor Dry Bulb Temperature
 High and low pressures are measured at the liquid and suction access fittings.
 Design Subcooling, 16 - 19 °F @ the liquid access fitting connection ARI 95 test conditions. Design Superheat 8 - 12 °F @ the compressor suction access fitting connection.

Shaded area reflects AHRl (TVA) conditions
 W = Total system power
 Amps: Unit amps (comp.+ evaporator + condenser fan motors)

		Outdoor Ambient Temperature												Entering Indoor Wet Bulb Temperature															
		65				75				85				95				105				115							
IDB	Airflow	59	63	67	71	59	63	67	71	59	63	67	71	59	63	67	71	59	63	67	71	59	63	67	71	59	63	67	71
70	Capacity	70,588	71,587	73,699	-	69,955	70,954	73,066	-	68,109	69,108	71,220	-	64,932	65,931	68,043	-	61,050	62,049	64,161	-	57,506	58,505	60,617	-	57,506	58,505	60,617	-
	S/T	0.57	0.50	0.37	-	0.58	0.50	0.37	-	0.60	0.53	0.40	-	0.62	0.55	0.42	-	0.64	0.57	0.44	-	1.00	0.62	0.49	-	1.00	0.62	0.49	-
	Evap dT	19.89	18.06	14.66	-	19.84	18.01	14.61	-	20.09	18.27	14.87	-	19.82	17.99	14.59	-	19.57	17.75	14.35	-	20.72	18.89	15.49	-	20.72	18.89	15.49	-
	Pr Suc	118	119	122	-	125	127	130	-	131	133	136	-	137	138	141	-	142	143	146	-	148	150	153	-	148	150	153	-
	Pr Dis	271	273	275	-	314	316	317	-	359	361	362	-	408	409	411	-	460	461	463	-	516	517	519	-	516	517	519	-
	TotalPower	4,153	4,149	4,140	-	4,670	4,666	4,657	-	5,248	5,244	5,235	-	5,873	5,869	5,860	-	6,572	6,567	6,559	-	7,391	7,387	7,378	-	7,391	7,387	7,378	-
	Capacity	71,637	72,636	74,748	-	71,004	72,003	74,115	-	69,158	70,156	72,269	-	65,981	66,980	69,092	-	62,099	63,098	65,210	-	58,555	59,553	61,666	-	58,555	59,553	61,666	-
	S/T	0.64	0.56	0.43	-	0.64	0.57	0.44	-	0.67	0.59	0.46	-	0.69	0.61	0.48	-	1.00	0.63	0.50	-	1.00	0.68	0.55	-	1.00	0.68	0.55	-
	Evap dT	18.61	16.78	13.38	-	18.56	16.74	13.33	-	18.81	16.99	13.59	-	18.54	16.72	13.31	-	18.30	16.47	13.07	-	19.44	17.61	14.21	-	19.44	17.61	14.21	-
	Pr Suc	120	121	124	-	127	129	132	-	133	135	138	-	139	140	143	-	144	145	148	-	150	152	155	-	150	152	155	-
	Pr Dis	274	275	277	-	317	318	320	-	362	363	365	-	410	412	413	-	463	464	466	-	518	519	521	-	518	519	521	-
	TotalPower	4,184	4,180	4,171	-	4,701	4,697	4,688	-	5,279	5,275	5,266	-	5,904	5,900	5,891	-	6,603	6,599	6,590	-	7,422	7,418	7,409	-	7,422	7,418	7,409	-
	Capacity	74,522	75,520	77,633	-	73,889	74,887	77,000	-	72,042	73,041	75,153	-	68,866	69,864	71,977	-	64,983	65,982	68,094	-	61,439	62,438	64,550	-	61,439	62,438	64,550	-
	S/T	0.68	0.61	0.48	-	0.69	0.61	0.48	-	0.71	0.64	0.51	-	1.00	0.66	0.53	-	1.00	0.68	0.55	-	1.00	0.73	0.60	-	1.00	0.73	0.60	-
	Evap dT	16.64	14.81	11.41	-	16.59	14.76	11.36	-	16.84	15.02	11.62	-	16.57	14.74	11.34	-	16.32	14.50	11.10	-	17.47	15.64	12.24	-	17.47	15.64	12.24	-
	Pr Suc	125	126	129	-	132	133	136	-	138	140	143	-	143	145	148	-	149	150	153	-	155	157	160	-	155	157	160	-
	Pr Dis	279	281	282	-	322	323	325	-	367	368	370	-	416	417	419	-	468	469	471	-	523	525	527	-	523	525	527	-
	TotalPower	4,232	4,228	4,219	-	4,749	4,745	4,736	-	5,327	5,323	5,314	-	5,952	5,948	5,939	-	6,650	6,646	6,637	-	7,470	7,466	7,457	-	7,470	7,466	7,457	-
75	Capacity	70,630	71,628	73,741	76,967	69,997	70,995	73,108	76,334	68,150	69,149	71,261	74,488	64,974	65,972	68,085	71,311	61,091	62,090	64,202	67,429	57,547	58,546	60,658	63,885	57,547	58,546	60,658	63,885
	S/T	0.69	0.62	0.49	0.35	0.70	0.63	0.50	0.36	0.72	0.65	0.52	0.38	1.00	0.67	0.54	0.40	1.00	0.69	0.56	0.42	1.00	0.74	0.61	0.47	1.00	0.74	0.61	0.47
	Evap dT	23.89	22.07	18.67	15.14	23.84	22.02	18.62	15.09	24.10	22.28	18.87	15.35	23.83	22.00	18.60	15.07	23.58	21.76	18.36	14.83	24.72	22.90	19.50	15.97	24.72	22.90	19.50	15.97
	Pr Suc	118	119	122	127	125	127	130	135	131	133	136	141	137	138	141	146	142	143	146	151	148	150	153	158	148	150	153	158
	Pr Dis	272	273	275	280	315	316	318	322	360	361	363	367	408	409	411	416	460	461	463	468	516	517	519	524	516	517	519	524
	TotalPower	4,149	4,145	4,136	4,176	4,667	4,663	4,654	4,693	5,245	5,240	5,232	5,271	5,870	5,866	5,857	5,896	6,568	6,564	6,555	6,595	7,388	7,384	7,375	7,414	7,388	7,384	7,375	7,414
	Capacity	71,678	72,677	74,789	78,016	71,045	72,044	74,156	77,383	69,199	70,198	72,310	75,536	66,022	67,021	69,133	72,360	62,140	63,139	65,251	68,477	58,596	59,594	61,707	64,933	58,596	59,594	61,707	64,933
	S/T	0.76	0.69	0.56	0.42	0.77	0.69	0.56	0.43	1.00	0.72	0.59	0.45	1.00	0.74	0.61	0.47	1.00	0.76	0.63	0.49	1.00	0.81	0.68	0.54	1.00	0.81	0.68	0.54
	Evap dT	22.62	20.79	17.39	13.86	22.57	20.74	17.34	13.81	22.82	21.00	17.60	14.07	22.55	20.72	17.32	13.79	22.30	20.48	17.08	13.55	23.44	21.62	18.22	14.69	23.44	21.62	18.22	14.69
	Pr Suc	120	121	124	129	127	129	132	137	133	135	138	143	139	140	143	148	144	145	148	153	150	152	155	160	150	152	155	160
	Pr Dis	274	276	277	282	317	318	320	325	362	363	365	370	411	412	414	418	463	464	466	471	518	520	522	526	518	520	522	526
	TotalPower	4,180	4,176	4,168	4,207	4,698	4,694	4,685	4,725	5,276	5,272	5,263	5,302	5,901	5,897	5,888	5,928	6,599	6,595	6,586	6,626	7,419	7,415	7,406	7,445	7,419	7,415	7,406	7,445
	Capacity	74,563	75,562	77,674	80,900	73,930	74,929	77,041	80,267	72,084	73,082	75,195	78,421	68,907	69,906	72,018	75,244	65,025	66,023	68,136	71,362	61,480	62,479	64,591	67,818	61,480	62,479	64,591	67,818
	S/T	0.80	0.73	0.60	0.46	0.81	0.74	0.61	0.47	1.00	0.76	0.63	0.49	1.00	0.78	0.65	0.51	1.00	0.80	0.67	0.53	1.00	1.00	0.72	0.58	1.00	1.00	0.72	0.58
	Evap dT	20.64	18.82	15.42	11.89	20.59	18.77	15.37	11.84	20.85	19.03	15.62	12.10	20.58	18.75	15.35	11.82	20.33	18.51	15.11	11.58	21.47	19.65	16.25	12.72	21.47	19.65	16.25	12.72
	Pr Suc	125	126	129	134	132	133	136	141	138	140	143	148	143	145	148	153	149	150	153	158	155	157	160	165	155	157	160	165
	Pr Dis	280	281	283	287	323	324	326	330	367	369	371	375	416	417	419	424	468	469	471	476	524	525	527	532	524	525	527	532
	TotalPower	4,228	4,224	4,215	4,255	4,746	4,742	4,733	4,772	5,323	5,319	5,310	5,350	5,949	5,944	5,936	5,975	6,647	6,643	6,634	6,674	7,467	7,462	7,454	7,493	7,467	7,462	7,454	7,493

IDB: Entering Indoor Dry Bulb Temperature
 High and low pressures are measured at the liquid and suction access fittings.
 Design Subcooling, 16 - 19 °F @ the liquid access fitting connection ARI 95 test conditions. Design Superheat 8 - 12°F @ the compressor suction access fitting connection.
 Shaded area reflects ACCA (TVA) conditions
 W = Total system power
 Amps: Unit amps (comp.+ evaporator + condenser fan motors)

IDB	Airflow	ID WB	Outdoor Ambient Temperature																								
			65			75			85			95			105			115									
			59	63	67	71	59	63	67	71	59	63	67	71	59	63	67	71	59	63	67	71					
80	1800	Capacity	70,996	71,995	74,107	77,333	70,363	71,362	73,474	76,700	68,517	69,515	71,628	74,854	65,340	66,339	68,451	71,677	61,458	62,456	64,569	67,795	57,913	58,912	61,024	64,251	
		S/T	0.81	0.74	0.61	0.47	1.00	0.75	0.62	0.48	1.00	0.77	0.64	0.50	1.00	0.79	0.66	0.52	1.00	0.81	0.68	0.54	0.54	1.00	1.00	0.73	0.59
		Evap dT	27.93	26.11	22.70	19.18	27.88	26.06	22.65	19.13	28.13	26.31	22.91	19.38	27.86	26.04	22.63	19.11	27.62	25.79	22.39	18.86	28.76	26.93	23.53	20.01	
		Pr Suc	118	120	123	128	126	127	130	135	132	133	136	141	137	139	142	147	142	144	147	152	149	150	153	158	
		Pr Dis	272	273	275	280	315	316	318	323	360	361	363	368	408	410	412	416	461	462	464	468	516	517	519	524	
		TotalPower	4,152	4,148	4,139	4,179	4,670	4,665	4,657	4,696	5,247	5,243	5,234	5,274	5,872	5,868	5,859	5,899	6,571	6,567	6,558	6,598	7,390	7,386	7,377	7,417	
80	2100	Capacity	72,045	73,043	75,156	78,382	71,412	72,410	74,523	77,749	69,565	70,564	72,676	75,903	66,389	67,387	69,500	72,726	62,506	63,505	65,617	68,844	58,962	59,961	62,073	65,300	
		S/T	0.88	0.81	0.68	0.54	1.00	0.81	0.68	0.55	1.00	0.84	0.71	0.57	1.00	0.86	0.73	0.59	1.00	1.00	0.75	0.61	1.00	1.00	0.80	0.66	
		Evap dT	26.65	24.83	21.42	17.90	26.60	24.78	21.37	17.85	26.86	25.03	21.63	18.10	26.58	24.76	21.36	17.83	26.34	24.52	21.11	17.59	27.48	25.66	22.25	18.73	
		Pr Suc	120	122	125	130	128	129	132	137	134	135	138	143	139	141	144	149	144	146	149	154	151	152	155	160	
		Pr Dis	275	276	278	283	318	319	321	326	363	364	366	371	411	412	414	419	463	464	466	471	519	520	522	527	
		TotalPower	4,183	4,179	4,170	4,210	4,701	4,697	4,688	4,727	5,278	5,274	5,265	5,305	5,904	5,899	5,891	5,930	6,602	6,598	6,589	6,629	7,422	7,417	7,409	7,448	
80	2700	Capacity	74,929	75,928	78,040	81,267	74,296	75,295	77,407	80,634	72,450	73,449	75,561	78,787	69,273	70,272	72,384	75,611	65,391	66,390	68,502	71,728	61,847	62,845	64,958	68,184	
		S/T	1.00	0.85	0.72	0.58	1.00	0.86	0.73	0.59	1.00	0.88	0.75	0.61	1.00	1.00	0.77	0.63	1.00	1.00	0.79	0.65	1.00	1.00	0.84	0.70	
		Evap dT	24.68	22.86	19.45	15.93	24.63	22.81	19.40	15.88	24.88	23.06	19.66	16.13	24.61	22.79	19.38	15.86	24.37	22.54	19.14	15.61	25.51	23.68	20.28	16.76	
		Pr Suc	125	127	130	135	132	134	137	142	139	140	143	148	144	145	148	154	144	149	151	154	159	156	157	160	165
		Pr Dis	280	281	283	288	323	324	326	331	368	369	371	376	416	418	419	424	469	470	472	476	524	525	527	532	
		TotalPower	4,231	4,227	4,218	4,258	4,748	4,744	4,736	4,775	5,326	5,322	5,313	5,353	5,951	5,947	5,938	5,978	6,650	6,646	6,637	6,676	7,469	7,465	7,456	7,496	
85	1800	Capacity	72,187	73,186	75,298	78,525	71,554	72,553	74,665	77,892	69,708	70,707	72,819	76,045	66,531	67,530	69,642	72,869	62,649	63,648	65,760	68,986	59,105	60,104	62,216	65,442	
		S/T	1.00	0.84	0.71	0.57	1.00	0.84	0.71	0.58	1.00	0.87	0.74	0.60	1.00	1.00	0.76	0.62	1.00	1.00	0.78	0.64	1.00	1.00	0.83	0.69	
		Evap dT	31.51	29.68	26.28	22.76	31.46	29.63	26.23	22.71	31.71	29.89	26.49	22.96	31.44	29.62	26.21	22.69	31.19	29.37	25.97	22.44	32.34	30.51	27.11	23.58	
		Pr Suc	120	122	125	130	127	129	132	137	134	135	138	143	139	140	143	149	144	146	149	154	151	152	155	160	
		Pr Dis	274	275	277	281	316	318	319	324	361	363	364	369	410	411	413	418	462	463	465	470	518	519	521	525	
		TotalPower	4,162	4,158	4,149	4,189	4,679	4,675	4,667	4,706	5,257	5,253	5,244	5,284	5,882	5,878	5,869	5,909	6,581	6,577	6,568	6,607	7,400	7,396	7,387	7,427	
85	2100	Capacity	73,236	74,235	76,347	79,573	72,603	73,602	75,714	78,941	70,757	71,755	73,868	77,094	67,580	68,579	70,691	73,917	63,698	64,696	66,809	70,035	60,154	61,152	63,264	66,491	
		S/T	1.00	0.90	0.78	0.64	1.00	0.91	0.78	0.64	1.00	1.00	0.81	0.67	1.00	1.00	0.82	0.69	1.00	1.00	0.84	0.71	1.000	1.000	0.894	0.757	
		Evap dT	30.23	28.41	25.00	21.48	30.18	28.36	24.95	21.43	30.43	28.61	25.21	21.68	30.16	28.34	24.93	21.41	29.92	28.09	24.69	21.16	31.06	29.23	25.83	22.31	
		Pr Suc	122	124	127	132	129	131	134	139	136	137	140	145	141	142	145	150	146	148	151	156	153	154	157	162	
		Pr Dis	276	277	279	284	319	320	322	327	364	365	367	372	412	414	415	420	465	466	468	472	520	521	523	528	
		TotalPower	4,193	4,189	4,180	4,220	4,711	4,707	4,698	4,737	5,288	5,284	5,275	5,315	5,913	5,909	5,901	5,940	6,612	6,608	6,599	6,639	7,431	7,427	7,418	7,458	
85	2700	Capacity	76,121	77,119	79,232	82,458	75,488	76,486	78,599	81,825	73,641	74,640	76,752	79,979	70,465	71,463	73,576	76,802	66,582	67,581	69,693	72,920	63,038	64,037	66,149	69,375	
		S/T	1.00	0.95	0.82	0.68	1.00	1.00	0.82	0.69	1.00	1.00	0.85	0.71	1.00	1.00	0.87	0.73	1.00	1.00	0.89	0.75	1.00	1.00	0.80	0.80	
		Evap dT	28.26	26.43	23.03	19.51	28.21	26.38	22.98	19.46	28.46	26.64	23.24	19.71	28.19	26.37	22.96	19.44	27.95	26.12	22.72	19.19	29.09	27.26	23.86	20.33	
		Pr Suc	127	128	131	136	134	136	139	144	140	142	145	150	146	147	150	155	151	152	155	161	158	159	162	167	
		Pr Dis	281	283	284	289	324	325	327	332	369	370	372	377	418	419	421	425	470	471	473	478	525	527	529	533	
		TotalPower	4,241	4,237	4,228	4,268	4,758	4,754	4,745	4,785	5,336	5,332	5,323	5,363	5,961	5,957	5,948	5,988	6,660	6,656	6,647	6,686	7,479	7,475	7,466	7,506	

IDB: Entering Indoor Dry Bulb Temperature
 High and low pressures are measured at the liquid and suction access fittings.
 Design Subcooling, 16 - 19 °F @ the liquid access fitting connection ARI 95 test conditions. Design Superheat 8 - 12°F @ the compressor suction access fitting connection.

Shaded area reflects AHRl (TVA) conditions

W = Total system power

Amps: Unit amps (comp.+ evaporator + condenser fan motors)

Heating Rating Table - Natural Gas and Propane

DFG	GAS HEAT	STAGE 1 INPUT/OUTPUT (MBH)	STAGE 2 INPUT/OUTPUT (MBH)	TEMP RISE HIGH (°F)	TEMP RISE LOW (°F)	THERMAL EFFICIENCY (%)
DFG036	Low	45 / 36	33.75 / 27	15-45	10-40	80%
	Medium	70 / 56	52.5 / 42	25-55	20-50	80%
	High	90 / 72.9	67.5 / 54	25-55	20-50	80%
DFG048	Low	70/56	52.5 / 42	25-55	20-50	80%
	Medium	90 / 72.9	67.5 / 54	25-55	20-50	80%
	High	115 / 92	86.25 / 69	30-60	25-55	80%
DFG060	Low	90 / 72	67.5 / 54	30-60	25-55	80%
	Medium	115 / 92	86.25 / 69	30-60	25-55	80%
	High	140 / 112	105 / 84	35-65	30-60	80%
DFG072	Low	90 / 72.9	67.5 / 54	25-55	20-50	80%
	Medium	115 / 92	86.25 / 69	25-55	20-50	80%
	High	140 / 112	105 / 84	35-65	30-60	80%

Heat Exchanger and Burner Orifice Specifications

DFG	HIGH FIRE RATE BTU/HR	NUMBER OF BURNERS	NG ORIFICE	LP ORIFICE
DFG036	45,000	2	43	55
	70,000	3	43	55
	90,000	4	43	55
DFG048	70,000	3	43	55
	90,000	4	43	55
	115,000	5	43	55
DFG060	90,000	4	43	55
	115,000	5	43	55
	140,000	6	43	55
DFG072	90,000	4	43	55
	115,000	5	43	55
	140,000	6	43	55

Heating

Min-Max Airflow Range

DFG	HIGH FIRE RATE BTU/Hr	HEATING MINIMUM SCFM	COOLING MINIMUM SCFM	MAXIMUM SCFM
DFG036	45000	750	900	1500
	60000	750		
	70000	1050		
	80000	950		
	90000	1200		
	100000	1050		
DFG048	70000	950	1200	2000
	80000	1050		
	90000	1200		
	100000	1150		
	115000	1400		
DFG060	80000	1200	1500	2500
	90000	1100		
	100000	1250		
	115000	1150		
	140000	1600		
DFG072	90000	1200	1800	3000
	115000	1550		
	140000	1600		

ULN Heating Rating Table

DFG	GAS HEAT	STAGE 1 INPUT/OUTPUT (MBH)	STAGE 2 INPUT/OUTPUT (MBH)	TEMP RISE HIGH (°F)	TEMP RISE LOW (°F)	THERMAL EFFICIENCY (%)
DFG036	Low	60/48	--	30-60	--	80%
	Medium	80/64	--	30-60	--	80%
	High	100/80	--	40-70	--	80%
DFG048	Low	80/64	--	35-65	--	80%
	High	100/80	--	25-55	--	80%
DFG060	Low	80/64	--	30-60	--	80%
	High	100/80	--	20-50	--	80%

ULN Heat Exchanger and Burner Orifice Specifications

Ton	HIGH FIRE RATE	NUMBER OF BURNERS	NG ORIFICE
DFG036	60,000	1	24
	80,000	1	17
	100,000	1	11
DFG048	80,000	1	17
	100,000	1	11
DFG060	80,000	1	17
	100,000	1	11

3 Ton GE - 045 - Horizontal

SPEED TAP	EXTERNAL STATIC PRESSURE (ESP) IN W. C.	STANDARD CFM	RPM	WATTS	BHP
T1	0.1	1090	515	112	0.10
	0.2	975	550	114	0.11
	0.3	900	595	122	0.12
	0.4	820	640	131	0.13
	0.5	755	685	138	0.14
	0.6	660	735	151	0.15
	0.7	-	-	-	-
	0.8	-	-	-	-
T2	0.1	1390	610	199	0.20
	0.2	1320	640	206	0.21
	0.3	1260	675	215	0.22
	0.4	1200	715	225	0.24
	0.5	1145	755	237	0.25
	0.6	1075	790	246	0.26
	0.7	1010	825	256	0.27
	0.8	950	855	266	0.28
T3	0.1	1320	585	176	0.18
	0.2	1240	620	182	0.19
	0.3	1180	655	191	0.20
	0.4	1110	700	201	0.21
	0.5	1055	740	212	0.22
	0.6	985	775	220	0.23
	0.7	910	815	231	0.24
	0.8	845	845	241	0.25
T4	0.1	1515	645	245	0.25
	0.2	1465	680	254	0.27
	0.3	1405	715	265	0.28
	0.4	1355	750	276	0.29
	0.5	1305	780	289	0.31
	0.6	1240	815	296	0.32
	0.7	1180	850	308	0.33
	0.8	1125	875	319	0.34
T5	0.1	1600	670	280	0.29
	0.2	1555	705	292	0.31
	0.3	1505	740	302	0.32
	0.4	1450	765	314	0.33
	0.5	1405	800	328	0.35
	0.6	1350	835	335	0.36
	0.7	1295	870	348	0.38
	0.8	1240	890	359	0.39

3 Ton GE - 045 - Downshot

SPEED TAP	EXTERNAL STATIC PRESSURE (ESP) IN W. C.	STANDARD CFM	RPM	WATTS	BHP
T1	0.1	1060	535	115	0.11
	0.2	945	570	117	0.11
	0.3	875	615	125	0.12
	0.4	795	665	134	0.13
	0.5	735	710	142	0.14
	0.6	640	760	155	0.15
	0.7	-	-	-	-
	0.8	-	-	-	-
T2	0.1	1350	630	204	0.21
	0.2	1280	665	211	0.22
	0.3	1225	700	221	0.23
	0.4	1165	740	231	0.25
	0.5	1110	780	243	0.26
	0.6	1045	820	252	0.27
	0.7	980	855	263	0.28
	0.8	920	885	273	0.29
T3	0.1	1280	605	180	0.18
	0.2	1205	640	187	0.19
	0.3	1145	680	196	0.20
	0.4	1080	725	206	0.22
	0.5	1025	765	217	0.23
	0.6	955	805	226	0.24
	0.7	885	845	237	0.25
	0.8	820	875	247	0.26
T4	0.1	1470	670	251	0.26
	0.2	1420	705	261	0.28
	0.3	1365	740	272	0.29
	0.4	1315	775	283	0.30
	0.5	1265	810	296	0.32
	0.6	1205	845	304	0.33
	0.7	1145	880	316	0.35
	0.8	1090	905	327	0.36
T5	0.1	1555	695	287	0.30
	0.2	1510	730	299	0.32
	0.3	1460	765	310	0.33
	0.4	1410	795	322	0.35
	0.5	1365	830	336	0.36
	0.6	1310	865	344	0.38
	0.7	1255	900	357	0.39
	0.8	1205	920	368	0.40

3 Ton GE - 090 - Horizontal

SPEED TAP	EXTERNAL STATIC PRESSURE (ESP) IN W. C.	STANDARD CFM	RPM	WATTS	BHP
T1	0.1	1045	500	100	0.09
	0.2	910	530	100	0.09
	0.3	840	580	108	0.10
	0.4	750	630	116	0.11
	0.5	685	675	124	0.12
	0.6	-	-	-	-
	0.7	-	-	-	-
	0.8	-	-	-	-
T2	0.1	1390	610	199	0.20
	0.2	1320	640	206	0.21
	0.3	1260	675	215	0.22
	0.4	1200	715	225	0.24
	0.5	1145	755	237	0.25
	0.6	1075	790	246	0.26
	0.7	1010	825	256	0.27
	0.8	950	855	266	0.28
T3	0.1	1255	565	157	0.15
	0.2	1165	600	162	0.16
	0.3	1100	640	171	0.17
	0.4	1035	680	179	0.18
	0.5	975	725	189	0.20
	0.6	895	760	199	0.21
	0.7	825	800	209	0.22
	0.8	750	835	218	0.23
T4	0.1	1515	645	245	0.25
	0.2	1465	680	254	0.27
	0.3	1405	715	265	0.28
	0.4	1355	750	276	0.29
	0.5	1305	780	289	0.31
	0.6	1240	815	296	0.32
	0.7	1180	850	308	0.33
	0.8	1125	875	319	0.34
T5	0.1	1600	670	280	0.29
	0.2	1555	705	292	0.31
	0.3	1505	740	302	0.32
	0.4	1450	765	314	0.33
	0.5	1405	800	328	0.35
	0.6	1350	835	335	0.36
	0.7	1295	870	348	0.38
	0.8	1240	890	359	0.39

3 Ton GE - 090 - Downshot

SPEED TAP	EXTERNAL STATIC PRESSURE (ESP) IN W. C.	STANDARD CFM	RPM	WATTS	BHP
T1	0.1	1015	520	103	0.09
	0.2	885	550	103	0.10
	0.3	815	600	111	0.11
	0.4	730	655	119	0.12
	0.5	665	700	127	0.12
	0.6	-	-	-	-
	0.7	-	-	-	-
	0.8	-	-	-	-
T2	0.1	1350	630	204	0.21
	0.2	1280	665	211	0.22
	0.3	1225	700	221	0.23
	0.4	1165	740	231	0.25
	0.5	1110	780	243	0.26
	0.6	1045	820	252	0.27
	0.7	980	855	263	0.28
	0.8	920	885	273	0.29
T3	0.1	1220	585	161	0.16
	0.2	1130	620	166	0.17
	0.3	1070	665	175	0.18
	0.4	1005	705	184	0.19
	0.5	945	750	194	0.20
	0.6	870	790	204	0.21
	0.7	800	830	214	0.23
	0.8	730	865	224	0.23
T4	0.1	1470	670	251	0.26
	0.2	1420	705	261	0.28
	0.3	1365	740	272	0.29
	0.4	1315	775	283	0.30
	0.5	1265	810	296	0.32
	0.6	1205	845	304	0.33
	0.7	1145	880	316	0.35
	0.8	1090	905	327	0.36
T5	0.1	1555	695	287	0.30
	0.2	1510	730	299	0.32
	0.3	1460	765	310	0.33
	0.4	1410	795	322	0.35
	0.5	1365	830	336	0.36
	0.6	1310	865	344	0.38
	0.7	1255	900	357	0.39
	0.8	1205	920	368	0.40

3 Ton GE - 045 - Horizontal

SPEED TAP	EXTERNAL STATIC PRESSURE (ESP) IN W. C.	STANDARD CFM	RPM	WATTS	BHP
T1	0.1	1090	515	112	0.10
	0.2	975	550	114	0.11
	0.3	900	595	122	0.12
	0.4	820	640	131	0.13
	0.5	755	685	138	0.14
	0.6	660	735	151	0.15
	0.7	-	-	-	-
	0.8	-	-	-	-
T2	0.1	1390	610	199	0.20
	0.2	1320	640	206	0.21
	0.3	1260	675	215	0.22
	0.4	1200	715	225	0.24
	0.5	1145	755	237	0.25
	0.6	1075	790	246	0.26
	0.7	1010	825	256	0.27
	0.8	950	855	266	0.28
T3	0.1	1320	585	176	0.18
	0.2	1240	620	182	0.19
	0.3	1180	655	191	0.20
	0.4	1110	700	201	0.21
	0.5	1055	740	212	0.22
	0.6	985	775	220	0.23
	0.7	910	815	231	0.24
	0.8	845	845	241	0.25
T4	0.1	1515	645	245	0.25
	0.2	1465	680	254	0.27
	0.3	1405	715	265	0.28
	0.4	1355	750	276	0.29
	0.5	1305	780	289	0.31
	0.6	1240	815	296	0.32
	0.7	1180	850	308	0.33
	0.8	1125	875	319	0.34
T5	0.1	1600	670	280	0.29
	0.2	1555	705	292	0.31
	0.3	1505	740	302	0.32
	0.4	1450	765	314	0.33
	0.5	1405	800	328	0.35
	0.6	1350	835	335	0.36
	0.7	1295	870	348	0.38
	0.8	1240	890	359	0.39

3 Ton GE - 045 - Downshot

SPEED TAP	EXTERNAL STATIC PRESSURE (ESP) IN W. C.	STANDARD CFM	RPM	WATTS	BHP
T1	0.1	1060	535	115	0.11
	0.2	945	570	117	0.11
	0.3	875	615	125	0.12
	0.4	795	665	134	0.13
	0.5	735	710	142	0.14
	0.6	640	760	155	0.15
	0.7	-	-	-	-
	0.8	-	-	-	-
T2	0.1	1350	630	204	0.21
	0.2	1280	665	211	0.22
	0.3	1225	700	221	0.23
	0.4	1165	740	231	0.25
	0.5	1110	780	243	0.26
	0.6	1045	820	252	0.27
	0.7	980	855	263	0.28
	0.8	920	885	273	0.29
T3	0.1	1280	605	180	0.18
	0.2	1205	640	187	0.19
	0.3	1145	680	196	0.20
	0.4	1080	725	206	0.22
	0.5	1025	765	217	0.23
	0.6	955	805	226	0.24
	0.7	885	845	237	0.25
	0.8	820	875	247	0.26
T4	0.1	1470	670	251	0.26
	0.2	1420	705	261	0.28
	0.3	1365	740	272	0.29
	0.4	1315	775	283	0.30
	0.5	1265	810	296	0.32
	0.6	1205	845	304	0.33
	0.7	1145	880	316	0.35
	0.8	1090	905	327	0.36
T5	0.1	1555	695	287	0.30
	0.2	1510	730	299	0.32
	0.3	1460	765	310	0.33
	0.4	1410	795	322	0.35
	0.5	1365	830	336	0.36
	0.6	1310	865	344	0.38
	0.7	1255	900	357	0.39
	0.8	1205	920	368	0.40

3 Ton GE - 070 - Horizontal

SPEED TAP	EXTERNAL STATIC PRESSURE (ESP) IN W. C.	STANDARD CFM	RPM	WATTS	BHP
T1	0.1	1210	550	142	0.14
	0.2	1105	585	146	0.15
	0.3	1045	625	155	0.16
	0.4	975	670	164	0.17
	0.5	910	710	174	0.18
	0.6	825	755	184	0.19
	0.7	750	790	193	0.20
	0.8	680	830	203	0.21
T2	0.1	1390	610	199	0.20
	0.2	1320	640	206	0.21
	0.3	1260	675	215	0.22
	0.4	1200	715	225	0.24
	0.5	1145	755	237	0.25
	0.6	1075	790	246	0.26
	0.7	1010	825	256	0.27
	0.8	950	855	266	0.28
T3	0.1	1365	600	191	0.19
	0.2	1295	630	198	0.20
	0.3	1230	670	208	0.22
	0.4	1170	710	217	0.23
	0.5	1120	750	228	0.24
	0.6	1045	785	237	0.25
	0.7	980	820	248	0.26
	0.8	915	855	257	0.27
T4	0.1	1515	645	245	0.25
	0.2	1465	680	254	0.27
	0.3	1405	715	265	0.28
	0.4	1355	750	276	0.29
	0.5	1305	780	289	0.31
	0.6	1240	815	296	0.32
	0.7	1180	850	308	0.33
	0.8	1125	875	319	0.34
T5	0.1	1600	670	280	0.29
	0.2	1555	705	292	0.31
	0.3	1505	740	302	0.32
	0.4	1450	765	314	0.33
	0.5	1405	800	328	0.35
	0.6	1350	835	335	0.36
	0.7	1295	870	348	0.38
	0.8	1240	890	359	0.39

3 Ton GE - 070 - Downshot

SPEED TAP	EXTERNAL STATIC PRESSURE (ESP) IN W. C.	STANDARD CFM	RPM	WATTS	BHP
T1	0.1	1175	570	146	0.14
	0.2	1075	605	150	0.15
	0.3	1015	650	159	0.16
	0.4	945	695	168	0.17
	0.5	885	735	178	0.18
	0.6	800	780	189	0.19
	0.7	730	820	198	0.20
	0.8	660	860	208	0.21
T2	0.1	1350	630	204	0.21
	0.2	1280	665	211	0.22
	0.3	1225	700	221	0.23
	0.4	1165	740	231	0.25
	0.5	1110	780	243	0.26
	0.6	1045	820	252	0.27
	0.7	980	855	263	0.28
	0.8	920	885	273	0.29
T3	0.1	1325	620	196	0.20
	0.2	1255	655	203	0.21
	0.3	1195	695	213	0.22
	0.4	1135	735	223	0.24
	0.5	1085	775	234	0.25
	0.6	1015	815	243	0.26
	0.7	950	850	254	0.27
	0.8	890	885	264	0.28
T4	0.1	1470	670	251	0.26
	0.2	1420	705	261	0.28
	0.3	1365	740	272	0.29
	0.4	1315	775	283	0.30
	0.5	1265	810	296	0.32
	0.6	1205	845	304	0.33
	0.7	1145	880	316	0.35
	0.8	1090	905	327	0.36
T5	0.1	1555	695	287	0.30
	0.2	1510	730	299	0.32
	0.3	1460	765	310	0.33
	0.4	1410	795	322	0.35
	0.5	1365	830	336	0.36
	0.6	1310	865	344	0.38
	0.7	1255	900	357	0.39
	0.8	1205	920	368	0.40

3 Ton GE - 090 - Horizontal

SPEED TAP	EXTERNAL STATIC PRESSURE (ESP) IN W. C.	STANDARD CFM	RPM	WATTS	BHP
T1	0.1	1045	500	100	0.09
	0.2	910	530	100	0.09
	0.3	840	580	108	0.10
	0.4	750	630	116	0.11
	0.5	685	675	124	0.12
	0.6	-	-	-	-
	0.7	-	-	-	-
	0.8	-	-	-	-
T2	0.1	1390	610	199	0.20
	0.2	1320	640	206	0.21
	0.3	1260	675	215	0.22
	0.4	1200	715	225	0.24
	0.5	1145	755	237	0.25
	0.6	1075	790	246	0.26
	0.7	1010	825	256	0.27
	0.8	950	855	266	0.28
T3	0.1	1255	565	157	0.15
	0.2	1165	600	162	0.16
	0.3	1100	640	171	0.17
	0.4	1035	680	179	0.18
	0.5	975	725	189	0.20
	0.6	895	760	199	0.21
	0.7	825	800	209	0.22
	0.8	750	835	218	0.23
T4	0.1	1515	645	245	0.25
	0.2	1465	680	254	0.27
	0.3	1405	715	265	0.28
	0.4	1355	750	276	0.29
	0.5	1305	780	289	0.31
	0.6	1240	815	296	0.32
	0.7	1180	850	308	0.33
	0.8	1125	875	319	0.34
T5	0.1	1600	670	280	0.29
	0.2	1555	705	292	0.31
	0.3	1505	740	302	0.32
	0.4	1450	765	314	0.33
	0.5	1405	800	328	0.35
	0.6	1350	835	335	0.36
	0.7	1295	870	348	0.38
	0.8	1240	890	359	0.39

3 Ton GE - 090 - Downshot

SPEED TAP	EXTERNAL STATIC PRESSURE (ESP) IN W. C.	STANDARD CFM	RPM	WATTS	BHP
T1	0.1	1015	520	103	0.09
	0.2	885	550	103	0.10
	0.3	815	600	111	0.11
	0.4	730	655	119	0.12
	0.5	665	700	127	0.12
	0.6	-	-	-	-
	0.7	-	-	-	-
	0.8	-	-	-	-
T2	0.1	1350	630	204	0.21
	0.2	1280	665	211	0.22
	0.3	1225	700	221	0.23
	0.4	1165	740	231	0.25
	0.5	1110	780	243	0.26
	0.6	1045	820	252	0.27
	0.7	980	855	263	0.28
	0.8	920	885	273	0.29
T3	0.1	1220	585	161	0.16
	0.2	1130	620	166	0.17
	0.3	1070	665	175	0.18
	0.4	1005	705	184	0.19
	0.5	945	750	194	0.20
	0.6	870	790	204	0.21
	0.7	800	830	214	0.23
	0.8	730	865	224	0.23
T4	0.1	1470	670	251	0.26
	0.2	1420	705	261	0.28
	0.3	1365	740	272	0.29
	0.4	1315	775	283	0.30
	0.5	1265	810	296	0.32
	0.6	1205	845	304	0.33
	0.7	1145	880	316	0.35
	0.8	1090	905	327	0.36
T5	0.1	1555	695	287	0.30
	0.2	1510	730	299	0.32
	0.3	1460	765	310	0.33
	0.4	1410	795	322	0.35
	0.5	1365	830	336	0.36
	0.6	1310	865	344	0.38
	0.7	1255	900	357	0.39
	0.8	1205	920	368	0.40

3 Ton GE - 045 - Horizontal

SPEED TAP	EXTERNAL STATIC PRESSURE (ESP) IN W. C.	STANDARD CFM	RPM	WATTS	BHP
T1	0.1	1115	515	109	0.11
	0.2	1035	560	118	0.12
	0.3	970	600	126	0.13
	0.4	895	635	135	0.14
	0.5	815	680	143	0.15
	0.6	745	720	152	0.16
	0.7	665	760	161	0.17
	0.8	570	815	174	0.18
T2	0.1	1385	600	190	0.20
	0.2	1310	635	202	0.21
	0.3	1255	670	211	0.22
	0.4	1195	705	221	0.23
	0.5	1130	745	232	0.25
	0.6	1065	775	242	0.26
	0.7	1005	815	252	0.27
	0.8	920	860	264	0.29
T3	0.1	1425	615	205	0.22
	0.2	1360	645	216	0.23
	0.3	1300	680	227	0.24
	0.4	1240	720	237	0.25
	0.5	1180	755	247	0.27
	0.6	1115	785	258	0.28
	0.7	1055	825	269	0.29
	0.8	980	865	279	0.30
T4	0.1	1525	640	243	0.26
	0.2	1465	675	255	0.27
	0.3	1410	710	266	0.28
	0.4	1355	745	276	0.30
	0.5	1295	775	288	0.31
	0.6	1240	810	299	0.32
	0.7	1185	845	310	0.34
	0.8	1115	885	321	0.35
T5	0.1	1625	675	283	0.30
	0.2	1570	705	296	0.32
	0.3	1515	740	307	0.33
	0.4	1465	770	318	0.34
	0.5	1410	805	331	0.36
	0.6	1360	835	341	0.37
	0.7	1300	865	354	0.39
	0.8	1245	895	365	0.40

3 Ton GE - 045 - Downshot

SPEED TAP	EXTERNAL STATIC PRESSURE (ESP) IN W. C.	STANDARD CFM	RPM	WATTS	BHP
T1	0.1	1090	535	112	0.12
	0.2	1010	580	122	0.13
	0.3	945	620	130	0.14
	0.4	875	660	139	0.14
	0.5	795	705	147	0.15
	0.6	725	745	157	0.16
	0.7	650	790	166	0.17
	0.8	555	845	179	0.19
T2	0.1	1350	620	196	0.21
	0.2	1280	660	208	0.22
	0.3	1225	695	218	0.23
	0.4	1165	730	228	0.24
	0.5	1100	770	239	0.26
	0.6	1040	805	249	0.27
	0.7	980	845	260	0.28
	0.8	900	890	272	0.30
T3	0.1	1390	635	211	0.22
	0.2	1325	670	223	0.24
	0.3	1270	705	234	0.25
	0.4	1210	745	244	0.26
	0.5	1150	780	255	0.27
	0.6	1090	815	266	0.29
	0.7	1030	855	277	0.30
	0.8	955	895	288	0.32
T4	0.1	1490	665	250	0.27
	0.2	1430	700	263	0.28
	0.3	1375	735	274	0.29
	0.4	1320	770	285	0.31
	0.5	1265	805	297	0.32
	0.6	1210	840	308	0.34
	0.7	1155	875	320	0.35
	0.8	1090	915	331	0.37
T5	0.1	1585	700	292	0.31
	0.2	1530	730	305	0.33
	0.3	1480	765	317	0.34
	0.4	1430	800	328	0.36
	0.5	1375	835	341	0.37
	0.6	1325	865	352	0.39
	0.7	1270	895	365	0.40
	0.8	1215	930	376	0.42

3 Ton GE - 070 - Horizontal

SPEED TAP	EXTERNAL STATIC PRESSURE (ESP) IN W. C.	STANDARD CFM	RPM	WATTS	BHP
T1	0.1	1115	515	109	0.11
	0.2	1035	560	118	0.12
	0.3	970	600	126	0.13
	0.4	895	635	135	0.14
	0.5	815	680	143	0.15
	0.6	745	720	152	0.16
	0.7	665	760	161	0.17
	0.8	570	815	174	0.18
T2	0.1	1385	600	190	0.20
	0.2	1310	635	202	0.21
	0.3	1255	670	211	0.22
	0.4	1195	705	221	0.23
	0.5	1130	745	232	0.25
	0.6	1065	775	242	0.26
	0.7	1005	815	252	0.27
	0.8	920	860	264	0.29
T3	0.1	1315	580	169	0.18
	0.2	1245	620	179	0.19
	0.3	1185	650	189	0.20
	0.4	1120	690	199	0.21
	0.5	1055	730	209	0.22
	0.6	990	765	218	0.23
	0.7	920	800	228	0.24
	0.8	840	850	241	0.26
T4	0.1	1525	640	243	0.26
	0.2	1465	675	255	0.27
	0.3	1410	710	266	0.28
	0.4	1355	745	276	0.30
	0.5	1295	775	288	0.31
	0.6	1240	810	299	0.32
	0.7	1185	845	310	0.34
	0.8	1115	885	321	0.35
T5	0.1	1625	675	283	0.30
	0.2	1570	705	296	0.32
	0.3	1515	740	307	0.33
	0.4	1465	770	318	0.34
	0.5	1410	805	331	0.36
	0.6	1360	835	341	0.37
	0.7	1300	865	354	0.39
	0.8	1245	895	365	0.40

3 Ton GE - 070 - Downshot

SPEED TAP	EXTERNAL STATIC PRESSURE (ESP) IN W. C.	STANDARD CFM	RPM	WATTS	BHP
T1	0.1	1090	535	112	0.12
	0.2	1010	580	122	0.13
	0.3	945	620	130	0.14
	0.4	875	660	139	0.14
	0.5	795	705	147	0.15
	0.6	725	745	157	0.16
	0.7	650	790	166	0.17
	0.8	555	845	179	0.19
T2	0.1	1350	620	196	0.21
	0.2	1280	660	208	0.22
	0.3	1225	695	218	0.23
	0.4	1165	730	228	0.24
	0.5	1100	770	239	0.26
	0.6	1040	805	249	0.27
	0.7	980	845	260	0.28
	0.8	900	890	272	0.30
T3	0.1	1285	600	174	0.18
	0.2	1215	640	185	0.19
	0.3	1155	675	195	0.21
	0.4	1095	715	205	0.22
	0.5	1030	755	215	0.23
	0.6	965	795	225	0.24
	0.7	900	830	235	0.25
	0.8	820	880	248	0.27
T4	0.1	1490	665	250	0.27
	0.2	1430	700	263	0.28
	0.3	1375	735	274	0.29
	0.4	1320	770	285	0.31
	0.5	1265	805	297	0.32
	0.6	1210	840	308	0.34
	0.7	1155	875	320	0.35
	0.8	1090	915	331	0.37
T5	0.1	1585	700	292	0.31
	0.2	1530	730	305	0.33
	0.3	1480	765	317	0.34
	0.4	1430	800	328	0.36
	0.5	1375	835	341	0.37
	0.6	1325	865	352	0.39
	0.7	1270	895	365	0.40
	0.8	1215	930	376	0.42

3 Ton GE - 090 - Horizontal

SPEED TAP	EXTERNAL STATIC PRESSURE (ESP) IN W. C.	STANDARD CFM	RPM	WATTS	BHP
T1	0.1	1340	585	177	0.18
	0.2	1270	620	187	0.19
	0.3	1210	660	196	0.21
	0.4	1150	695	207	0.22
	0.5	1075	735	216	0.23
	0.6	1015	765	226	0.24
	0.7	950	805	237	0.25
	0.8	865	850	248	0.27
T2	0.1	1385	600	190	0.20
	0.2	1310	635	202	0.21
	0.3	1255	670	211	0.22
	0.4	1195	705	221	0.23
	0.5	1130	745	232	0.25
	0.6	1065	775	242	0.26
	0.7	1005	815	252	0.27
	0.8	920	860	264	0.29
T3	0.1	1655	680	295	0.31
	0.2	1600	715	307	0.33
	0.3	1550	750	320	0.35
	0.4	1495	775	332	0.36
	0.5	1445	810	344	0.37
	0.6	1395	840	355	0.39
	0.7	1340	875	367	0.40
	0.8	1280	900	377	0.42
T4	0.1	1525	640	243	0.26
	0.2	1465	675	255	0.27
	0.3	1410	710	266	0.28
	0.4	1355	745	276	0.30
	0.5	1295	775	288	0.31
	0.6	1240	810	299	0.32
	0.7	1185	845	310	0.34
	0.8	1115	885	321	0.35
T5	0.1	1625	675	283	0.30
	0.2	1570	705	296	0.32
	0.3	1515	740	307	0.33
	0.4	1465	770	318	0.34
	0.5	1410	805	331	0.36
	0.6	1360	835	341	0.37
	0.7	1300	865	354	0.39
	0.8	1245	895	365	0.40

3 Ton GE - 090 - Downshot

SPEED TAP	EXTERNAL STATIC PRESSURE (ESP) IN W. C.	STANDARD CFM	RPM	WATTS	BHP
T1	0.1	1305	605	182	0.19
	0.2	1240	645	193	0.20
	0.3	1180	685	202	0.22
	0.4	1120	720	213	0.23
	0.5	1050	760	223	0.24
	0.6	990	795	233	0.25
	0.7	925	835	244	0.26
	0.8	845	880	256	0.28
T2	0.1	1350	620	196	0.00
	0.2	1280	660	208	0.00
	0.3	1225	695	218	0.00
	0.4	1165	730	228	0.00
	0.5	1100	770	239	0.00
	0.6	1040	805	249	0.00
	0.7	980	845	260	0.00
	0.8	900	890	272	0.00
T3	0.1	1615	705	304	0.33
	0.2	1560	740	317	0.34
	0.3	1510	775	330	0.36
	0.4	1460	805	342	0.37
	0.5	1410	840	355	0.39
	0.6	1360	870	366	0.40
	0.7	1305	905	378	0.42
	0.8	1250	935	389	0.43
T4	0.1	1490	665	250	0.27
	0.2	1430	700	263	0.28
	0.3	1375	735	274	0.29
	0.4	1320	770	285	0.31
	0.5	1265	805	297	0.32
	0.6	1210	840	308	0.34
	0.7	1155	875	320	0.35
	0.8	1090	915	331	0.37
T5	0.1	1585	700	292	0.31
	0.2	1530	730	305	0.33
	0.3	1480	765	317	0.34
	0.4	1430	800	328	0.36
	0.5	1375	835	341	0.37
	0.6	1325	865	352	0.39
	0.7	1270	895	365	0.40
	0.8	1215	930	376	0.42

4 Ton GE - 090 - Horizontal

SPEED TAP	EXTERNAL STATIC PRESSURE (ESP) IN W. C.	STANDARD CFM	RPM	WATTS	BHP
T1	0.1	1300	600	184	0.19
	0.2	1245	635	192	0.20
	0.3	1185	670	202	0.21
	0.4	1150	715	212	0.22
	0.5	1070	750	222	0.24
	0.6	990	785	232	0.25
	0.7	905	820	240	0.26
	0.8	830	855	250	0.27
T2	0.1	1795	760	391	0.43
	0.2	1745	790	402	0.44
	0.3	1700	810	415	0.45
	0.4	1650	840	430	0.47
	0.5	1605	870	442	0.49
	0.6	1555	900	456	0.51
	0.7	1505	925	466	0.52
	0.8	1460	955	483	0.54
T3	0.1	1620	705	306	0.33
	0.2	1570	730	315	0.34
	0.3	1515	760	328	0.35
	0.4	1475	795	341	0.37
	0.5	1415	820	352	0.38
	0.6	1355	855	364	0.40
	0.7	1295	885	374	0.41
	0.8	1240	915	389	0.43
T4	0.1	1910	800	455	0.50
	0.2	1860	820	467	0.52
	0.3	1815	850	481	0.53
	0.4	1770	875	498	0.55
	0.5	1730	900	509	0.57
	0.6	1680	925	523	0.58
	0.7	1640	955	536	0.60
	0.8	1595	985	552	0.62
T5	0.1	1980	820	498	0.55
	0.2	1935	845	511	0.57
	0.3	1885	870	525	0.58
	0.4	1840	895	542	0.60
	0.5	1805	920	555	0.62
	0.6	1760	945	569	0.63
	0.7	1720	970	581	0.65
	0.8	1675	1000	598	0.67

4 Ton GE - 090 - Downshot

SPEED TAP	EXTERNAL STATIC PRESSURE (ESP) IN W. C.	STANDARD CFM	RPM	WATTS	BHP
T1	0.1	1245	630	194	0.20
	0.2	1190	670	202	0.21
	0.3	1135	705	213	0.22
	0.4	1100	750	223	0.24
	0.5	1025	790	234	0.25
	0.6	945	825	244	0.26
	0.7	865	865	253	0.27
	0.8	795	900	263	0.28
T2	0.1	1720	800	412	0.45
	0.2	1670	830	423	0.47
	0.3	1625	855	437	0.48
	0.4	1580	885	453	0.50
	0.5	1535	915	465	0.51
	0.6	1490	945	480	0.53
	0.7	1440	975	491	0.55
	0.8	1395	1005	508	0.56
T3	0.1	1550	740	322	0.35
	0.2	1500	770	332	0.36
	0.3	1450	800	345	0.37
	0.4	1410	835	359	0.39
	0.5	1355	865	370	0.40
	0.6	1295	900	383	0.42
	0.7	1240	930	394	0.43
	0.8	1185	965	409	0.45
T4	0.1	1830	840	479	0.53
	0.2	1780	865	492	0.54
	0.3	1735	895	506	0.56
	0.4	1695	920	524	0.58
	0.5	1655	945	536	0.59
	0.6	1610	975	551	0.61
	0.7	1570	1005	564	0.63
	0.8	1525	1035	581	0.65
T5	0.1	1895	865	524	0.58
	0.2	1850	890	538	0.60
	0.3	1805	915	553	0.61
	0.4	1760	940	570	0.63
	0.5	1725	970	584	0.65
	0.6	1685	995	599	0.67
	0.7	1645	1020	612	0.68
	0.8	1605	1050	629	0.70

4 Ton GE - 115 - Horizontal

SPEED TAP	EXTERNAL STATIC PRESSURE (ESP) IN W. C.	STANDARD CFM	RPM	WATTS	BHP
T1	0.1	1600	695	297	0.32
	0.2	1545	725	307	0.33
	0.3	1495	755	319	0.35
	0.4	1455	790	333	0.36
	0.5	1395	815	343	0.37
	0.6	1330	850	355	0.39
	0.7	1275	885	365	0.40
	0.8	1215	910	379	0.42
T2	0.1	1795	760	391	0.43
	0.2	1745	790	402	0.44
	0.3	1700	810	415	0.45
	0.4	1650	840	430	0.47
	0.5	1605	870	442	0.49
	0.6	1555	900	456	0.51
	0.7	1505	925	466	0.52
	0.8	1460	955	483	0.54
T3	0.1	1970	815	493	0.54
	0.2	1925	840	506	0.56
	0.3	1875	870	520	0.58
	0.4	1835	895	537	0.60
	0.5	1790	915	549	0.61
	0.6	1750	945	564	0.63
	0.7	1710	970	577	0.65
	0.8	1665	1000	593	0.67
T4	0.1	1910	800	455	0.50
	0.2	1860	820	467	0.52
	0.3	1815	850	481	0.53
	0.4	1770	875	498	0.55
	0.5	1730	900	509	0.57
	0.6	1680	925	523	0.58
	0.7	1640	955	536	0.60
	0.8	1595	985	552	0.62
T5	0.1	1980	820	498	0.55
	0.2	1935	845	511	0.57
	0.3	1885	870	525	0.58
	0.4	1840	895	542	0.60
	0.5	1805	920	555	0.62
	0.6	1760	945	569	0.63
	0.7	1720	970	581	0.65
	0.8	1675	1000	598	0.67

4 Ton GE - 115 - Downshot

SPEED TAP	EXTERNAL STATIC PRESSURE (ESP) IN W. C.	STANDARD CFM	RPM	WATTS	BHP
T1	0.1	1530	730	313	0.33
	0.2	1480	765	323	0.35
	0.3	1430	795	336	0.36
	0.4	1390	830	350	0.38
	0.5	1335	860	361	0.39
	0.6	1275	895	374	0.41
	0.7	1220	930	384	0.42
	0.8	1165	960	399	0.44
T2	0.1	1720	800	412	0.45
	0.2	1670	830	423	0.47
	0.3	1625	855	437	0.48
	0.4	1580	885	453	0.50
	0.5	1535	915	465	0.51
	0.6	1490	945	480	0.53
	0.7	1440	975	491	0.55
	0.8	1395	1005	508	0.56
T3	0.1	1885	860	519	0.57
	0.2	1840	885	533	0.59
	0.3	1795	915	547	0.61
	0.4	1755	940	565	0.63
	0.5	1715	965	578	0.64
	0.6	1675	995	594	0.66
	0.7	1635	1020	607	0.68
	0.8	1595	1050	624	0.70
T4	0.1	1830	840	479	0.53
	0.2	1780	865	492	0.54
	0.3	1735	895	506	0.56
	0.4	1695	920	524	0.58
	0.5	1655	945	536	0.59
	0.6	1610	975	551	0.61
	0.7	1570	1005	564	0.63
	0.8	1525	1035	581	0.65
T5	0.1	1895	865	524	0.58
	0.2	1850	890	538	0.60
	0.3	1805	915	553	0.61
	0.4	1760	940	570	0.63
	0.5	1725	970	584	0.65
	0.6	1685	995	599	0.67
	0.7	1645	1020	612	0.68
	0.8	1605	1050	629	0.70

4 Ton GE - 070 - Horizontal

SPEED TAP	EXTERNAL STATIC PRESSURE (ESP) IN W. C.	STANDARD CFM	RPM	WATTS	BHP
T1	0.1	960	500	87	0.09
	0.2	900	535	93	0.09
	0.3	835	580	102	0.10
	0.4	805	625	106	0.11
	0.5	700	675	117	0.12
	0.6	-	-	-	-
	0.7	-	-	-	-
	0.8	-	-	-	-
T2	0.1	1795	760	391	0.43
	0.2	1745	790	402	0.44
	0.3	1700	810	415	0.45
	0.4	1650	840	430	0.47
	0.5	1605	870	442	0.49
	0.6	1555	900	456	0.51
	0.7	1505	925	466	0.52
	0.8	1460	955	483	0.54
T3	0.1	1120	540	127	0.13
	0.2	1055	585	135	0.14
	0.3	995	620	144	0.15
	0.4	960	665	151	0.16
	0.5	865	710	162	0.17
	0.6	770	745	169	0.17
	0.7	675	785	177	0.18
	0.8	-	-	-	-
T4	0.1	1910	800	455	0.50
	0.2	1860	820	467	0.52
	0.3	1815	850	481	0.53
	0.4	1770	875	498	0.55
	0.5	1730	900	509	0.57
	0.6	1680	925	523	0.58
	0.7	1640	955	536	0.60
	0.8	1595	985	552	0.62
T5	0.1	1980	820	498	0.55
	0.2	1935	845	511	0.57
	0.3	1885	870	525	0.58
	0.4	1840	895	542	0.60
	0.5	1805	920	555	0.62
	0.6	1760	945	569	0.63
	0.7	1720	970	581	0.65
	0.8	1675	1000	598	0.67

4 Ton GE - 070 - Downshot

SPEED TAP	EXTERNAL STATIC PRESSURE (ESP) IN W. C.	STANDARD CFM	RPM	WATTS	BHP
T1	0.1	920	525	92	0.09
	0.2	860	565	98	0.10
	0.3	800	610	107	0.10
	0.4	770	660	112	0.11
	0.5	670	710	123	0.12
	0.6	-	-	-	-
	0.7	-	-	-	-
	0.8	-	-	-	-
T2	0.1	1720	800	412	0.45
	0.2	1670	830	423	0.47
	0.3	1625	855	437	0.48
	0.4	1580	885	453	0.50
	0.5	1535	915	465	0.51
	0.6	1490	945	480	0.53
	0.7	1440	975	491	0.55
	0.8	1395	1005	508	0.56
T3	0.1	1070	570	134	0.13
	0.2	1010	615	142	0.14
	0.3	950	655	152	0.15
	0.4	920	700	159	0.16
	0.5	830	745	170	0.17
	0.6	735	785	178	0.18
	0.7	645	825	186	0.19
	0.8	-	-	-	-
T4	0.1	1830	840	479	0.53
	0.2	1780	865	492	0.54
	0.3	1735	895	506	0.56
	0.4	1695	920	524	0.58
	0.5	1655	945	536	0.59
	0.6	1610	975	551	0.61
	0.7	1570	1005	564	0.63
	0.8	1525	1035	581	0.65
T5	0.1	1895	865	524	0.58
	0.2	1850	890	538	0.60
	0.3	1805	915	553	0.61
	0.4	1760	940	570	0.63
	0.5	1725	970	584	0.65
	0.6	1685	995	599	0.67
	0.7	1645	1020	612	0.68
	0.8	1605	1050	629	0.70

4 Ton GE - 090 - Horizontal

SPEED TAP	EXTERNAL STATIC PRESSURE (ESP) IN W. C.	STANDARD CFM	RPM	WATTS	BHP
T1	0.1	1300	600	184	0.19
	0.2	1245	635	192	0.20
	0.3	1185	670	202	0.21
	0.4	1150	715	212	0.22
	0.5	1070	750	222	0.24
	0.6	990	785	232	0.25
	0.7	905	820	240	0.26
	0.8	830	855	250	0.27
T2	0.1	1795	760	391	0.43
	0.2	1745	790	402	0.44
	0.3	1700	810	415	0.45
	0.4	1650	840	430	0.47
	0.5	1605	870	442	0.49
	0.6	1555	900	456	0.51
	0.7	1505	925	466	0.52
	0.8	1460	955	483	0.54
T3	0.1	1620	705	306	0.33
	0.2	1570	730	315	0.34
	0.3	1515	760	328	0.35
	0.4	1475	795	341	0.37
	0.5	1415	820	352	0.38
	0.6	1355	855	364	0.40
	0.7	1295	885	374	0.41
	0.8	1240	915	389	0.43
T4	0.1	1910	800	455	0.50
	0.2	1860	820	467	0.52
	0.3	1815	850	481	0.53
	0.4	1770	875	498	0.55
	0.5	1730	900	509	0.57
	0.6	1680	925	523	0.58
	0.7	1640	955	536	0.60
	0.8	1595	985	552	0.62
T5	0.1	1980	820	498	0.55
	0.2	1935	845	511	0.57
	0.3	1885	870	525	0.58
	0.4	1840	895	542	0.60
	0.5	1805	920	555	0.62
	0.6	1760	945	569	0.63
	0.7	1720	970	581	0.65
	0.8	1675	1000	598	0.67

4 Ton GE - 090 - Downshot

SPEED TAP	EXTERNAL STATIC PRESSURE (ESP) IN W. C.	STANDARD CFM	RPM	WATTS	BHP
T1	0.1	1245	630	194	0.20
	0.2	1190	670	202	0.21
	0.3	1135	705	213	0.22
	0.4	1100	750	223	0.24
	0.5	1025	790	234	0.25
	0.6	945	825	244	0.26
	0.7	865	865	253	0.27
	0.8	795	900	263	0.28
T2	0.1	1720	800	412	0.45
	0.2	1670	830	423	0.47
	0.3	1625	855	437	0.48
	0.4	1580	885	453	0.50
	0.5	1535	915	465	0.51
	0.6	1490	945	480	0.53
	0.7	1440	975	491	0.55
	0.8	1395	1005	508	0.56
T3	0.1	1550	740	322	0.35
	0.2	1500	770	332	0.36
	0.3	1450	800	345	0.37
	0.4	1410	835	359	0.39
	0.5	1355	865	370	0.40
	0.6	1295	900	383	0.42
	0.7	1240	930	394	0.43
	0.8	1185	965	409	0.45
T4	0.1	1830	840	479	0.53
	0.2	1780	865	492	0.54
	0.3	1735	895	506	0.56
	0.4	1695	920	524	0.58
	0.5	1655	945	536	0.59
	0.6	1610	975	551	0.61
	0.7	1570	1005	564	0.63
	0.8	1525	1035	581	0.65
T5	0.1	1895	865	524	0.58
	0.2	1850	890	538	0.60
	0.3	1805	915	553	0.61
	0.4	1760	940	570	0.63
	0.5	1725	970	584	0.65
	0.6	1685	995	599	0.67
	0.7	1645	1020	612	0.68
	0.8	1605	1050	629	0.70

4 Ton GE - 115 - Horizontal

SPEED TAP	EXTERNAL STATIC PRESSURE (ESP) IN W. C.	STANDARD CFM	RPM	WATTS	BHP
T1	0.1	1600	695	297	0.32
	0.2	1545	725	307	0.33
	0.3	1495	755	319	0.35
	0.4	1455	790	333	0.36
	0.5	1395	815	343	0.37
	0.6	1330	850	355	0.39
	0.7	1275	885	365	0.40
	0.8	1215	910	379	0.42
T2	0.1	1795	760	391	0.43
	0.2	1745	790	402	0.44
	0.3	1700	810	415	0.45
	0.4	1650	840	430	0.47
	0.5	1605	870	442	0.49
	0.6	1555	900	456	0.51
	0.7	1505	925	466	0.52
	0.8	1460	955	483	0.54
T3	0.1	1970	815	493	0.54
	0.2	1925	840	506	0.56
	0.3	1875	870	520	0.58
	0.4	1835	895	537	0.60
	0.5	1790	915	549	0.61
	0.6	1750	945	564	0.63
	0.7	1710	970	577	0.65
	0.8	1665	1000	593	0.67
T4	0.1	1910	800	455	0.50
	0.2	1860	820	467	0.52
	0.3	1815	850	481	0.53
	0.4	1770	875	498	0.55
	0.5	1730	900	509	0.57
	0.6	1680	925	523	0.58
	0.7	1640	955	536	0.60
	0.8	1595	985	552	0.62
T5	0.1	1980	820	498	0.55
	0.2	1935	845	511	0.57
	0.3	1885	870	525	0.58
	0.4	1840	895	542	0.60
	0.5	1805	920	555	0.62
	0.6	1760	945	569	0.63
	0.7	1720	970	581	0.65
	0.8	1675	1000	598	0.67

4 Ton GE - 115 - Downshot

SPEED TAP	EXTERNAL STATIC PRESSURE (ESP) IN W. C.	STANDARD CFM	RPM	WATTS	BHP
T1	0.1	1530	730	313	0.33
	0.2	1480	765	323	0.35
	0.3	1430	795	336	0.36
	0.4	1390	830	350	0.38
	0.5	1335	860	361	0.39
	0.6	1275	895	374	0.41
	0.7	1220	930	384	0.42
	0.8	1165	960	399	0.44
T2	0.1	1720	800	412	0.45
	0.2	1670	830	423	0.47
	0.3	1625	855	437	0.48
	0.4	1580	885	453	0.50
	0.5	1535	915	465	0.51
	0.6	1490	945	480	0.53
	0.7	1440	975	491	0.55
	0.8	1395	1005	508	0.56
T3	0.1	1885	860	519	0.57
	0.2	1840	885	533	0.59
	0.3	1795	915	547	0.61
	0.4	1755	940	565	0.63
	0.5	1715	965	578	0.64
	0.6	1675	995	594	0.66
	0.7	1635	1020	607	0.68
	0.8	1595	1050	624	0.70
T4	0.1	1830	840	479	0.53
	0.2	1780	865	492	0.54
	0.3	1735	895	506	0.56
	0.4	1695	920	524	0.58
	0.5	1655	945	536	0.59
	0.6	1610	975	551	0.61
	0.7	1570	1005	564	0.63
	0.8	1525	1035	581	0.65
T5	0.1	1895	865	524	0.58
	0.2	1850	890	538	0.60
	0.3	1805	915	553	0.61
	0.4	1760	940	570	0.63
	0.5	1725	970	584	0.65
	0.6	1685	995	599	0.67
	0.7	1645	1020	612	0.68
	0.8	1605	1050	629	0.70

4 Ton GE - 070 - Horizontal

SPEED TAP	EXTERNAL STATIC PRESSURE (ESP) IN W. C.	STANDARD CFM	RPM	WATTS	BHP
T1	0.1	1040	540	114	0.12
	0.2	990	565	122	0.12
	0.3	910	610	129	0.13
	0.4	860	655	133	0.14
	0.5	800	690	149	0.15
	0.6	740	730	156	0.16
	0.7	660	785	168	0.17
	0.8	590	810	175	0.18
T2	0.1	1785	765	391	0.43
	0.2	1755	790	402	0.44
	0.3	1685	815	416	0.46
	0.4	1650	845	427	0.47
	0.5	1615	865	436	0.49
	0.6	1565	895	452	0.50
	0.7	1520	925	464	0.52
	0.8	1470	950	474	0.53
T3	0.1	1245	605	174	0.18
	0.2	1205	625	183	0.19
	0.3	1125	665	192	0.20
	0.4	1075	710	197	0.22
	0.5	1025	735	212	0.22
	0.6	970	775	220	0.24
	0.7	900	820	233	0.25
	0.8	835	845	240	0.26
T4	0.1	1870	795	438	0.48
	0.2	1845	815	448	0.50
	0.3	1775	840	464	0.51
	0.4	1740	870	475	0.53
	0.5	1710	890	485	0.54
	0.6	1660	915	501	0.56
	0.7	1615	945	512	0.58
	0.8	1570	970	523	0.59
T5	0.1	1935	810	477	0.52
	0.2	1910	835	487	0.54
	0.3	1850	860	503	0.56
	0.4	1810	890	515	0.58
	0.5	1780	905	524	0.59
	0.6	1730	935	542	0.61
	0.7	1690	960	553	0.62
	0.8	1650	985	564	0.64

4 Ton GE - 070 - Downshot

SPEED TAP	EXTERNAL STATIC PRESSURE (ESP) IN W. C.	STANDARD CFM	RPM	WATTS	BHP
T1	0.1	1010	570	120	0.12
	0.2	960	595	128	0.13
	0.3	885	640	136	0.14
	0.4	835	690	140	0.15
	0.5	775	725	157	0.16
	0.6	720	770	164	0.17
	0.7	640	825	177	0.18
	0.8	575	850	184	0.19
T2	0.1	1735	805	412	0.45
	0.2	1705	830	423	0.47
	0.3	1635	860	438	0.48
	0.4	1600	890	449	0.50
	0.5	1570	910	459	0.51
	0.6	1520	940	476	0.53
	0.7	1475	975	488	0.55
	0.8	1425	1000	499	0.56
T3	0.1	1210	635	183	0.19
	0.2	1170	660	193	0.20
	0.3	1090	700	202	0.21
	0.4	1045	745	207	0.23
	0.5	995	775	223	0.24
	0.6	940	815	232	0.25
	0.7	875	865	245	0.26
	0.8	810	890	253	0.27
T4	0.1	1815	835	461	0.51
	0.2	1790	860	472	0.52
	0.3	1725	885	488	0.54
	0.4	1690	915	500	0.56
	0.5	1660	935	510	0.57
	0.6	1610	965	527	0.59
	0.7	1570	995	539	0.61
	0.8	1525	1020	551	0.62
T5	0.1	1880	855	502	0.55
	0.2	1855	880	513	0.57
	0.3	1795	905	529	0.59
	0.4	1755	935	542	0.61
	0.5	1730	955	552	0.62
	0.6	1680	985	570	0.64
	0.7	1640	1010	582	0.65
	0.8	1600	1035	594	0.67

4 Ton GE - 090 - Horizontal

SPEED TAP	EXTERNAL STATIC PRESSURE (ESP) IN W. C.	STANDARD CFM	RPM	WATTS	BHP
T1	0.1	1265	610	181	0.19
	0.2	1225	630	190	0.20
	0.3	1150	670	200	0.21
	0.4	1100	715	204	0.22
	0.5	1050	740	219	0.23
	0.6	995	780	228	0.25
	0.7	925	825	240	0.26
	0.8	860	850	248	0.27
T2	0.1	1785	765	391	0.43
	0.2	1755	790	402	0.44
	0.3	1685	815	416	0.46
	0.4	1650	845	427	0.47
	0.5	1615	865	436	0.49
	0.6	1565	895	452	0.50
	0.7	1520	925	464	0.52
	0.8	1470	950	474	0.53
T3	0.1	1590	710	300	0.33
	0.2	1555	730	311	0.34
	0.3	1485	760	322	0.35
	0.4	1440	795	331	0.37
	0.5	1405	815	342	0.38
	0.6	1350	850	355	0.39
	0.7	1295	885	367	0.41
	0.8	1240	905	377	0.42
T4	0.1	1870	795	438	0.48
	0.2	1845	815	448	0.50
	0.3	1775	840	464	0.51
	0.4	1740	870	475	0.53
	0.5	1710	890	485	0.54
	0.6	1660	915	501	0.56
	0.7	1615	945	512	0.58
	0.8	1570	970	523	0.59
T5	0.1	1935	810	477	0.52
	0.2	1910	835	487	0.54
	0.3	1850	860	503	0.56
	0.4	1810	890	515	0.58
	0.5	1780	905	524	0.59
	0.6	1730	935	542	0.61
	0.7	1690	960	553	0.62
	0.8	1650	985	564	0.64

4 Ton GE - 090 - Downshot

SPEED TAP	EXTERNAL STATIC PRESSURE (ESP) IN W. C.	STANDARD CFM	RPM	WATTS	BHP
T1	0.1	1230	640	191	0.20
	0.2	1190	665	200	0.21
	0.3	1115	705	210	0.22
	0.4	1070	750	215	0.24
	0.5	1020	780	231	0.25
	0.6	965	820	240	0.26
	0.7	900	870	253	0.27
	0.8	835	895	261	0.28
T2	0.1	1735	805	412	0.45
	0.2	1705	830	423	0.47
	0.3	1635	860	438	0.48
	0.4	1600	890	449	0.50
	0.5	1570	910	459	0.51
	0.6	1520	940	476	0.53
	0.7	1475	975	488	0.55
	0.8	1425	1000	499	0.56
T3	0.1	1545	745	316	0.34
	0.2	1510	770	327	0.36
	0.3	1440	800	339	0.37
	0.4	1400	835	348	0.39
	0.5	1365	860	360	0.40
	0.6	1310	895	374	0.41
	0.7	1255	930	386	0.43
	0.8	1205	955	397	0.44
T4	0.1	1815	835	461	0.51
	0.2	1790	860	472	0.52
	0.3	1725	885	488	0.54
	0.4	1690	915	500	0.56
	0.5	1660	935	510	0.57
	0.6	1610	965	527	0.59
	0.7	1570	995	539	0.61
	0.8	1525	1020	551	0.62
T5	0.1	1880	855	502	0.55
	0.2	1855	880	513	0.57
	0.3	1795	905	529	0.59
	0.4	1755	935	542	0.61
	0.5	1730	955	552	0.62
	0.6	1680	985	570	0.64
	0.7	1640	1010	582	0.65
	0.8	1600	1035	594	0.67

4 Ton GE - 115 - Horizontal

SPEED TAP	EXTERNAL STATIC PRESSURE (ESP) IN W. C.	STANDARD CFM	RPM	WATTS	BHP
T1	0.1	1540	695	280	0.30
	0.2	1505	715	290	0.31
	0.3	1430	745	301	0.33
	0.4	1390	780	310	0.34
	0.5	1350	805	321	0.35
	0.6	1300	835	333	0.37
	0.7	1235	875	345	0.38
	0.8	1185	900	354	0.39
T2	0.1	1785	765	391	0.43
	0.2	1755	790	402	0.44
	0.3	1685	815	416	0.46
	0.4	1650	845	427	0.47
	0.5	1615	865	436	0.49
	0.6	1565	895	452	0.50
	0.7	1520	925	464	0.52
	0.8	1470	950	474	0.53
T3	0.1	1920	810	466	0.52
	0.2	1895	830	478	0.53
	0.3	1830	855	493	0.55
	0.4	1790	885	504	0.56
	0.5	1765	905	514	0.58
	0.6	1715	930	531	0.59
	0.7	1675	955	542	0.61
	0.8	1625	980	554	0.63
T4	0.1	1870	795	438	0.48
	0.2	1845	815	448	0.50
	0.3	1775	840	464	0.51
	0.4	1740	870	475	0.53
	0.5	1710	890	485	0.54
	0.6	1660	915	501	0.56
	0.7	1615	945	512	0.58
	0.8	1570	970	523	0.59
T5	0.1	1935	810	477	0.52
	0.2	1910	835	487	0.54
	0.3	1850	860	503	0.56
	0.4	1810	890	515	0.58
	0.5	1780	905	524	0.59
	0.6	1730	935	542	0.61
	0.7	1690	960	553	0.62
	0.8	1650	985	564	0.64

4 Ton GE - 115 - Downshot

SPEED TAP	EXTERNAL STATIC PRESSURE (ESP) IN W. C.	STANDARD CFM	RPM	WATTS	BHP
T1	0.1	1495	730	295	0.32
	0.2	1460	750	305	0.33
	0.3	1390	785	317	0.34
	0.4	1350	820	326	0.36
	0.5	1310	845	338	0.37
	0.6	1260	880	351	0.39
	0.7	1200	920	363	0.40
	0.8	1150	945	373	0.41
T2	0.1	1735	805	412	0.45
	0.2	1705	830	423	0.47
	0.3	1635	860	438	0.48
	0.4	1600	890	449	0.50
	0.5	1570	910	459	0.51
	0.6	1520	940	476	0.53
	0.7	1475	975	488	0.55
	0.8	1425	1000	499	0.56
T3	0.1	1865	850	491	0.54
	0.2	1840	875	503	0.56
	0.3	1775	900	519	0.57
	0.4	1740	930	531	0.59
	0.5	1715	950	541	0.61
	0.6	1665	980	559	0.63
	0.7	1625	1005	571	0.64
	0.8	1580	1030	583	0.66
T4	0.1	1815	835	461	0.51
	0.2	1790	860	472	0.52
	0.3	1725	885	488	0.54
	0.4	1690	915	500	0.56
	0.5	1660	935	510	0.57
	0.6	1610	965	527	0.59
	0.7	1570	995	539	0.61
	0.8	1525	1020	551	0.62
T5	0.1	1880	855	502	0.55
	0.2	1855	880	513	0.57
	0.3	1795	905	529	0.59
	0.4	1755	935	542	0.61
	0.5	1730	955	552	0.62
	0.6	1680	985	570	0.64
	0.7	1640	1010	582	0.65
	0.8	1600	1035	594	0.67

5 Ton GE - 090 - Horizontal

SPEED TAP	EXTERNAL STATIC PRESSURE (ESP) IN W. C.	STANDARD CFM	RPM	WATTS	BHP
T1	0.1	1125	545	130	0.13
	0.2	1060	585	137	0.14
	0.3	1005	620	146	0.15
	0.4	965	670	154	0.16
	0.5	880	710	164	0.17
	0.6	-	-	-	-
	0.7	-	-	-	-
	0.8	-	-	-	-
	0.9	-	-	-	-
	1.0	-	-	-	-
T2	0.1	1895	795	446	0.49
	0.2	1845	815	458	0.50
	0.3	1795	845	471	0.52
	0.4	1755	870	487	0.54
	0.5	1710	895	500	0.55
	0.6	1665	920	514	0.57
	0.7	1620	950	525	0.59
	0.8	1580	980	542	0.61
	0.9	1525	1005	559	0.62
	1.0	1480	1035	573	0.64
T3	0.1	1560	685	281	0.30
	0.2	1510	715	291	0.31
	0.3	1460	745	302	0.33
	0.4	1415	780	316	0.34
	0.5	1355	810	326	0.35
	0.6	1290	840	338	0.37
	0.7	1230	875	348	0.38
	0.8	1170	905	361	0.40
	0.9	1110	935	373	0.41
	1.0	1060	970	386	0.42
T4	0.1	2000	825	513	0.57
	0.2	1955	850	526	0.58
	0.3	1905	880	541	0.60
	0.4	1865	905	557	0.62
	0.5	1825	925	570	0.63
	0.6	1785	950	584	0.65
	0.7	1745	980	598	0.67
	0.8	1700	1000	614	0.69
	0.9	1655	1030	631	0.71
	1.0	1605	1060	646	0.73
T5	0.1	2350	955	817	0.91
	0.2	2305	975	835	0.93
	0.3	2260	1000	851	0.95
	0.4	2225	1020	867	0.97
	0.5	2185	1040	887	0.99
	0.6	2145	1065	902	1.01
	0.7	2105	1085	903	1.03
	0.8	2060	1095	903	1.04
	0.9	2010	1110	903	1.06
	1.0	1965	1130	903	1.08

5 Ton GE - 090 - Downshot

SPEED TAP	EXTERNAL STATIC PRESSURE (ESP) IN W. C.	STANDARD CFM	RPM	WATTS	BHP
T1	0.1	1075	575	137	0.14
	0.2	1015	615	144	0.15
	0.3	960	655	154	0.16
	0.4	925	705	162	0.17
	0.5	840	745	173	0.18
	0.6	-	-	-	-
	0.7	-	-	-	-
	0.8	-	-	-	-
	0.9	-	-	-	-
	1.0	-	-	-	-
T2	0.1	1815	835	469	0.52
	0.2	1765	860	482	0.53
	0.3	1720	890	496	0.55
	0.4	1680	915	513	0.57
	0.5	1635	940	526	0.58
	0.6	1595	970	541	0.60
	0.7	1550	1000	553	0.62
	0.8	1510	1030	570	0.64
	0.9	1460	1060	588	0.66
	1.0	1415	1090	603	0.67
T3	0.1	1495	720	296	0.32
	0.2	1445	750	306	0.33
	0.3	1395	785	318	0.34
	0.4	1355	820	333	0.36
	0.5	1295	850	343	0.37
	0.6	1235	885	356	0.39
	0.7	1175	920	366	0.40
	0.8	1120	955	380	0.42
	0.9	1060	985	393	0.43
	1.0	1015	1020	406	0.45
T4	0.1	1915	870	540	0.60
	0.2	1870	895	554	0.61
	0.3	1825	925	569	0.63
	0.4	1785	950	586	0.65
	0.5	1745	975	600	0.67
	0.6	1710	1000	615	0.69
	0.7	1670	1030	629	0.71
	0.8	1625	1055	646	0.72
	0.9	1585	1085	664	0.74
	1.0	1535	1115	680	0.76
T5	0.1	2250	1005	860	0.96
	0.2	2205	1025	879	0.98
	0.3	2165	1050	896	1.00
	0.4	2130	1075	913	1.02
	0.5	2090	1095	934	1.04
	0.6	2055	1120	949	1.07
	0.7	2015	1140	950	1.09
	0.8	1970	1155	950	1.10
	0.9	1925	1170	950	1.11
	1.0	1880	1190	950	1.13

5 Ton GE - 140 - Horizontal

SPEED TAP	EXTERNAL STATIC PRESSURE (ESP) IN W. C.	STANDARD CFM	RPM	WATTS	BHP
T1	0.1	1125	545	130	0.13
	0.2	1060	585	137	0.14
	0.3	1005	620	146	0.15
	0.4	965	670	154	0.16
	0.5	880	710	164	0.17
	0.6	-	-	-	-
	0.7	-	-	-	-
	0.8	-	-	-	-
	0.9	-	-	-	-
	1.0	-	-	-	-
T2	0.1	1895	795	446	0.49
	0.2	1845	815	458	0.50
	0.3	1795	845	471	0.52
	0.4	1755	870	487	0.54
	0.5	1710	895	500	0.55
	0.6	1665	920	514	0.57
	0.7	1620	950	525	0.59
	0.8	1580	980	542	0.61
	0.9	1525	1005	559	0.62
	1.0	1480	1035	573	0.64
T3	0.1	2085	855	573	0.63
	0.2	2045	885	587	0.66
	0.3	1995	905	602	0.67
	0.4	1955	925	619	0.69
	0.5	1910	950	634	0.71
	0.6	1875	975	648	0.72
	0.7	1840	1000	662	0.74
	0.8	1795	1025	677	0.76
	0.9	1750	1050	694	0.78
	1.0	1705	1075	711	0.80
T4	0.1	2000	825	513	0.57
	0.2	1955	850	526	0.58
	0.3	1905	880	541	0.60
	0.4	1865	905	557	0.62
	0.5	1825	925	570	0.63
	0.6	1785	950	584	0.65
	0.7	1745	980	598	0.67
	0.8	1700	1000	614	0.69
	0.9	1655	1030	631	0.71
	1.0	1605	1060	646	0.73
T5	0.1	2350	955	817	0.91
	0.2	2305	975	835	0.93
	0.3	2260	1000	851	0.95
	0.4	2225	1020	867	0.97
	0.5	2185	1040	887	0.99
	0.6	2145	1065	902	1.01
	0.7	2105	1085	903	1.03
	0.8	2060	1095	903	1.04
	0.9	2010	1110	903	1.06
	1.0	1965	1130	903	1.08

5 Ton GE - 140 - Downshot

SPEED TAP	EXTERNAL STATIC PRESSURE (ESP) IN W. C.	STANDARD CFM	RPM	WATTS	BHP
T1	0.1	1075	575	137	0.14
	0.2	1015	615	144	0.15
	0.3	960	655	154	0.16
	0.4	925	705	162	0.17
	0.5	840	745	173	0.18
	0.6	-	-	-	-
	0.7	-	-	-	-
	0.8	-	-	-	-
	0.9	-	-	-	-
	1.0	-	-	-	-
T2	0.1	1815	835	469	0.52
	0.2	1765	860	482	0.53
	0.3	1720	890	496	0.55
	0.4	1680	915	513	0.57
	0.5	1635	940	526	0.58
	0.6	1595	970	541	0.60
	0.7	1550	1000	553	0.62
	0.8	1510	1030	570	0.64
	0.9	1460	1060	588	0.66
	1.0	1415	1090	603	0.67
T3	0.1	1995	900	603	0.67
	0.2	1955	930	618	0.69
	0.3	1910	955	634	0.71
	0.4	1870	975	652	0.72
	0.5	1830	1000	667	0.74
	0.6	1795	1025	682	0.76
	0.7	1760	1050	697	0.78
	0.8	1720	1080	713	0.80
	0.9	1675	1105	731	0.82
	1.0	1630	1130	748	0.84
T4	0.1	1915	870	540	0.60
	0.2	1870	895	554	0.61
	0.3	1825	925	569	0.63
	0.4	1785	950	586	0.65
	0.5	1745	975	600	0.67
	0.6	1710	1000	615	0.69
	0.7	1670	1030	629	0.71
	0.8	1625	1055	646	0.72
	0.9	1585	1085	664	0.74
	1.0	1535	1115	680	0.76
T5	0.1	2250	1005	860	0.96
	0.2	2205	1025	879	0.98
	0.3	2165	1050	896	1.00
	0.4	2130	1075	913	1.02
	0.5	2090	1095	934	1.04
	0.6	2055	1120	949	1.07
	0.7	2015	1140	950	1.09
	0.8	1970	1155	950	1.10
	0.9	1925	1170	950	1.11
	1.0	1880	1190	950	1.13

5 Ton GE - 090 - Horizontal

SPEED TAP	EXTERNAL STATIC PRESSURE (ESP) IN W. C.	STANDARD CFM	RPM	WATTS	BHP
T1	0.1	1035	520	105	0.10
	0.2	965	560	112	0.11
	0.3	910	600	121	0.12
	0.4	880	645	126	0.13
	0.5	780	690	137	0.14
	0.6	-	-	-	-
	0.7	-	-	-	-
	0.8	-	-	-	-
	0.9	-	-	-	-
	1.0	-	-	-	-
T2	0.1	1895	795	446	0.49
	0.2	1845	815	458	0.50
	0.3	1795	845	471	0.52
	0.4	1755	870	487	0.54
	0.5	1710	895	500	0.55
	0.6	1665	920	514	0.57
	0.7	1620	950	525	0.59
	0.8	1580	980	542	0.61
	0.9	1525	1005	559	0.62
	1.0	1480	1035	573	0.64
T3	0.1	1560	685	281	0.30
	0.2	1510	715	291	0.31
	0.3	1460	745	302	0.33
	0.4	1415	780	316	0.34
	0.5	1355	810	326	0.35
	0.6	1290	840	338	0.37
	0.7	1230	875	348	0.38
	0.8	1170	905	361	0.40
	0.9	1110	935	373	0.41
	1.0	1060	970	386	0.42
T4	0.1	2000	825	513	0.57
	0.2	1955	850	526	0.58
	0.3	1905	880	541	0.60
	0.4	1865	905	557	0.62
	0.5	1825	925	570	0.63
	0.6	1785	950	584	0.65
	0.7	1745	980	598	0.67
	0.8	1700	1000	614	0.69
	0.9	1655	1030	631	0.71
	1.0	1605	1060	646	0.73
T5	0.1	2350	955	817	0.91
	0.2	2305	975	835	0.93
	0.3	2260	1000	851	0.95
	0.4	2225	1020	867	0.97
	0.5	2185	1040	887	0.99
	0.6	2145	1065	902	1.01
	0.7	2105	1085	903	1.03
	0.8	2060	1095	903	1.04
	0.9	2010	1110	903	1.06
	1.0	1965	1130	903	1.08

5 Ton GE - 090 - Downshot

SPEED TAP	EXTERNAL STATIC PRESSURE (ESP) IN W. C.	STANDARD CFM	RPM	WATTS	BHP
T1	0.1	990	545	111	0.11
	0.2	925	590	118	0.12
	0.3	870	630	127	0.13
	0.4	840	680	133	0.14
	0.5	745	725	144	0.14
	0.6	-	-	-	-
	0.7	-	-	-	-
	0.8	-	-	-	-
	0.9	-	-	-	-
	1.0	-	-	-	-
T2	0.1	1815	835	469	0.52
	0.2	1765	860	482	0.53
	0.3	1720	890	496	0.55
	0.4	1680	915	513	0.57
	0.5	1635	940	526	0.58
	0.6	1595	970	541	0.60
	0.7	1550	1000	553	0.62
	0.8	1510	1030	570	0.64
	0.9	1460	1060	588	0.66
	1.0	1415	1090	603	0.67
T3	0.1	1495	720	296	0.32
	0.2	1445	750	306	0.33
	0.3	1395	785	318	0.34
	0.4	1355	820	333	0.36
	0.5	1295	850	343	0.37
	0.6	1235	885	356	0.39
	0.7	1175	920	366	0.40
	0.8	1120	955	380	0.42
	0.9	1060	985	393	0.43
	1.0	1015	1020	406	0.45
T4	0.1	1915	870	540	0.60
	0.2	1870	895	554	0.61
	0.3	1825	925	569	0.63
	0.4	1785	950	586	0.65
	0.5	1745	975	600	0.67
	0.6	1710	1000	615	0.69
	0.7	1670	1030	629	0.71
	0.8	1625	1055	646	0.72
	0.9	1585	1085	664	0.74
	1.0	1535	1115	680	0.76
T5	0.1	2250	1005	860	0.96
	0.2	2205	1025	879	0.98
	0.3	2165	1050	896	1.00
	0.4	2130	1075	913	1.02
	0.5	2090	1095	934	1.04
	0.6	2055	1120	949	1.07
	0.7	2015	1140	950	1.09
	0.8	1970	1155	950	1.10
	0.9	1925	1170	950	1.11
	1.0	1880	1190	950	1.13

5 Ton GE - 115 - Horizontal

SPEED TAP	EXTERNAL STATIC PRESSURE (ESP) IN W. C.	STANDARD CFM	RPM	WATTS	BHP
T1	0.1	1100	540	124	0.12
	0.2	1040	580	131	0.13
	0.3	980	620	140	0.14
	0.4	945	660	147	0.15
	0.5	850	705	157	0.16
	0.6	750	740	165	0.17
	0.7	655	780	173	0.18
	0.8	570	815	180	0.19
	0.9	-	-	-	-
	1.0	-	-	-	-
T2	0.1	1895	795	446	0.49
	0.2	1845	815	458	0.50
	0.3	1795	845	471	0.52
	0.4	1755	870	487	0.54
	0.5	1710	895	500	0.55
	0.6	1665	920	514	0.57
	0.7	1620	950	525	0.59
	0.8	1580	980	542	0.61
	0.9	1525	1005	559	0.62
	1.0	1480	1035	573	0.64
T3	0.1	1440	700	271	0.29
	0.2	1385	735	281	0.30
	0.3	1335	765	293	0.31
	0.4	1295	805	306	0.33
	0.5	1235	835	317	0.34
	0.6	1170	870	329	0.36
	0.7	1105	905	339	0.37
	0.8	1050	940	352	0.38
	0.9	990	975	364	0.40
	1.0	940	1005	376	0.41
T4	0.1	2000	825	513	0.57
	0.2	1955	850	526	0.58
	0.3	1905	880	541	0.60
	0.4	1865	905	557	0.62
	0.5	1825	925	570	0.63
	0.6	1785	950	584	0.65
	0.7	1745	980	598	0.67
	0.8	1700	1000	614	0.69
	0.9	1655	1030	631	0.71
	1.0	1605	1060	646	0.73
T5	0.1	2350	955	817	0.91
	0.2	2305	975	835	0.93
	0.3	2260	1000	851	0.95
	0.4	2225	1020	867	0.97
	0.5	2185	1040	887	0.99
	0.6	2145	1065	902	1.01
	0.7	2105	1085	903	1.03
	0.8	2060	1095	903	1.04
	0.9	2010	1110	903	1.06
	1.0	1965	1130	903	1.08

5 Ton GE - 115 - Downshot

SPEED TAP	EXTERNAL STATIC PRESSURE (ESP) IN W. C.	STANDARD CFM	RPM	WATTS	BHP
T1	0.1	1055	570	130	0.13
	0.2	995	610	138	0.14
	0.3	940	650	147	0.15
	0.4	905	695	155	0.16
	0.5	815	740	165	0.17
	0.6	720	780	174	0.18
	0.7	625	820	182	0.19
	0.8	545	860	189	0.20
	0.9	-	-	-	-
	1.0	-	-	-	-
T2	0.1	1815	835	469	0.52
	0.2	1765	860	482	0.53
	0.3	1720	890	496	0.55
	0.4	1680	915	513	0.57
	0.5	1635	940	526	0.58
	0.6	1595	970	541	0.60
	0.7	1550	1000	553	0.62
	0.8	1510	1030	570	0.64
	0.9	1460	1060	588	0.66
	1.0	1415	1090	603	0.67
T3	0.1	1440	700	271	0.29
	0.2	1385	735	281	0.30
	0.3	1335	765	293	0.31
	0.4	1295	805	306	0.33
	0.5	1235	835	317	0.34
	0.6	1170	870	329	0.36
	0.7	1105	905	339	0.37
	0.8	1050	940	352	0.38
	0.9	990	975	364	0.40
	1.0	940	1005	376	0.41
T4	0.1	1915	870	540	0.60
	0.2	1870	895	554	0.61
	0.3	1825	925	569	0.63
	0.4	1785	950	586	0.65
	0.5	1745	975	600	0.67
	0.6	1710	1000	615	0.69
	0.7	1670	1030	629	0.71
	0.8	1625	1055	646	0.72
	0.9	1585	1085	664	0.74
	1.0	1535	1115	680	0.76
T5	0.1	2250	1005	860	0.96
	0.2	2205	1025	879	0.98
	0.3	2165	1050	896	1.00
	0.4	2130	1075	913	1.02
	0.5	2090	1095	934	1.04
	0.6	2055	1120	949	1.07
	0.7	2015	1140	950	1.09
	0.8	1970	1155	950	1.10
	0.9	1925	1170	950	1.11
	1.0	1880	1190	950	1.13

5 Ton GE - 140 - Horizontal

SPEED TAP	EXTERNAL STATIC PRESSURE (ESP) IN W. C.	STANDARD CFM	RPM	WATTS	BHP
T1	0.1	1910	800	455	0.50
	0.2	1860	820	467	0.52
	0.3	1815	850	481	0.53
	0.4	1770	875	498	0.55
	0.5	1730	900	509	0.57
	0.6	1680	925	523	0.58
	0.7	1640	955	536	0.60
	0.8	1595	985	552	0.62
	0.9	1545	1010	568	0.63
	1.0	1495	1040	583	0.65
T2	0.1	1895	795	446	0.49
	0.2	1845	815	458	0.50
	0.3	1795	845	471	0.52
	0.4	1755	870	487	0.54
	0.5	1710	895	500	0.55
	0.6	1665	920	514	0.57
	0.7	1620	950	525	0.59
	0.8	1580	980	542	0.61
	0.9	1525	1005	559	0.62
	1.0	1480	1035	573	0.64
T3	0.1	2085	855	573	0.63
	0.2	2045	885	587	0.66
	0.3	1995	905	602	0.67
	0.4	1955	925	619	0.69
	0.5	1910	950	634	0.71
	0.6	1875	975	648	0.72
	0.7	1840	1000	662	0.74
	0.8	1795	1025	677	0.76
	0.9	1750	1050	694	0.78
	1.0	1705	1075	711	0.80
T4	0.1	2000	825	513	0.57
	0.2	1955	850	526	0.58
	0.3	1905	880	541	0.60
	0.4	1865	905	557	0.62
	0.5	1825	925	570	0.63
	0.6	1785	950	584	0.65
	0.7	1745	980	598	0.67
	0.8	1700	1000	614	0.69
	0.9	1655	1030	631	0.71
	1.0	1605	1060	646	0.73
T5	0.1	2350	955	817	0.91
	0.2	2305	975	835	0.93
	0.3	2260	1000	851	0.95
	0.4	2225	1020	867	0.97
	0.5	2185	1040	887	0.99
	0.6	2145	1065	902	1.01
	0.7	2105	1085	903	1.03
	0.8	2060	1095	903	1.04
	0.9	2010	1110	903	1.06
	1.0	1965	1130	903	1.08

5 Ton GE - 140 - Downshot

SPEED TAP	EXTERNAL STATIC PRESSURE (ESP) IN W. C.	STANDARD CFM	RPM	WATTS	BHP
T1	0.1	1830	840	479	0.53
	0.2	1780	865	492	0.54
	0.3	1735	895	506	0.56
	0.4	1695	920	524	0.58
	0.5	1655	945	536	0.59
	0.6	1610	975	551	0.61
	0.7	1570	1005	564	0.63
	0.8	1525	1035	581	0.65
	0.9	1480	1065	598	0.67
	1.0	1430	1095	614	0.69
T2	0.1	1815	835	469	0.52
	0.2	1765	860	482	0.53
	0.3	1720	890	496	0.55
	0.4	1680	915	513	0.57
	0.5	1635	940	526	0.58
	0.6	1595	970	541	0.60
	0.7	1550	1000	553	0.62
	0.8	1510	1030	570	0.64
	0.9	1460	1060	588	0.66
	1.0	1415	1090	603	0.67
T3	0.1	1995	900	603	0.67
	0.2	1955	930	618	0.69
	0.3	1910	955	634	0.71
	0.4	1870	975	652	0.72
	0.5	1830	1000	667	0.74
	0.6	1795	1025	682	0.76
	0.7	1760	1050	697	0.78
	0.8	1720	1080	713	0.80
	0.9	1675	1105	731	0.82
	1.0	1630	1130	748	0.84
T4	0.1	1915	870	540	0.60
	0.2	1870	895	554	0.61
	0.3	1825	925	569	0.63
	0.4	1785	950	586	0.65
	0.5	1745	975	600	0.67
	0.6	1710	1000	615	0.69
	0.7	1670	1030	629	0.71
	0.8	1625	1055	646	0.72
	0.9	1585	1085	664	0.74
	1.0	1535	1115	680	0.76
T5	0.1	2250	1005	860	0.96
	0.2	2205	1025	879	0.98
	0.3	2165	1050	896	1.00
	0.4	2130	1075	913	1.02
	0.5	2090	1095	934	1.04
	0.6	2055	1120	949	1.07
	0.7	2015	1140	950	1.09
	0.8	1970	1155	950	1.10
	0.9	1925	1170	950	1.11
	1.0	1880	1190	950	1.13

5 Ton GE - 90 - Horizontal

SPEED TAP	EXTERNAL STATIC PRESSURE (ESP) IN W. C.	STANDARD CFM	RPM	WATTS	BHP
T1	0.1	980	525	97	0.10
	0.2	920	545	105	0.11
	0.3	845	595	112	0.11
	0.4	795	635	114	0.12
	0.5	725	675	132	0.13
	0.6	670	715	137	0.14
	0.7	585	775	151	0.15
	0.8	515	800	156	0.15
	0.9	-	-	-	-
	1.0	-	-	-	-
T2	0.1	1905	805	457	0.51
	0.2	1880	825	468	0.52
	0.3	1815	850	483	0.53
	0.4	1775	880	495	0.55
	0.5	1745	900	504	0.57
	0.6	1695	925	521	0.58
	0.7	1655	955	532	0.60
	0.8	1605	975	543	0.61
	0.9	1560	1000	561	0.63
	1.0	1510	1035	575	0.65
T3	0.1	1065	545	121	0.13
	0.2	1015	570	129	0.13
	0.3	935	620	137	0.14
	0.4	885	660	140	0.15
	0.5	830	695	157	0.16
	0.6	775	735	163	0.17
	0.7	690	790	176	0.18
	0.8	625	810	182	0.19
	0.9	-	-	-	-
	1.0	-	-	-	-
T4	0.1	2035	845	537	0.60
	0.2	2005	865	547	0.61
	0.3	1945	890	564	0.63
	0.4	1910	915	577	0.64
	0.5	1885	930	586	0.66
	0.6	1835	960	605	0.68
	0.7	1795	985	616	0.69
	0.8	1755	1000	627	0.70
	0.9	1710	1030	646	0.73
	1.0	1670	1060	661	0.75
T5	0.1	2310	930	757	0.83
	0.2	2275	950	767	0.85
	0.3	2235	975	788	0.87
	0.4	2200	1000	804	0.89
	0.5	2180	1010	812	0.90
	0.6	2130	1040	834	0.93
	0.7	2100	1060	848	0.95
	0.8	2065	1075	857	0.96
	0.9	2030	1100	877	0.98
	1.0	1995	1120	893	1.00

5 Ton GE - 90 - Downshot

SPEED TAP	EXTERNAL STATIC PRESSURE (ESP) IN W. C.	STANDARD CFM	RPM	WATTS	BHP
T1	0.1	950	550	103	0.11
	0.2	895	575	110	0.11
	0.3	820	625	118	0.12
	0.4	770	670	120	0.13
	0.5	705	710	139	0.14
	0.6	650	755	145	0.15
	0.7	570	815	159	0.16
	0.8	500	840	164	0.16
	0.9	-	-	-	-
	1.0	-	-	-	-
T2	0.1	1850	845	481	0.53
	0.2	1825	870	492	0.55
	0.3	1760	895	508	0.56
	0.4	1725	925	521	0.58
	0.5	1695	945	531	0.59
	0.6	1645	975	549	0.61
	0.7	1605	1005	560	0.63
	0.8	1560	1025	572	0.64
	0.9	1515	1055	590	0.66
	1.0	1465	1090	606	0.68
T3	0.1	1035	575	128	0.13
	0.2	985	600	136	0.14
	0.3	910	650	144	0.15
	0.4	860	695	147	0.16
	0.5	805	730	165	0.17
	0.6	750	775	172	0.18
	0.7	670	830	185	0.19
	0.8	605	855	192	0.20
	0.9	-	-	-	-
	1.0	-	-	-	-
T4	0.1	1975	890	565	0.63
	0.2	1945	910	576	0.64
	0.3	1890	935	594	0.66
	0.4	1855	965	608	0.68
	0.5	1830	980	617	0.69
	0.6	1780	1010	636	0.71
	0.7	1745	1035	649	0.73
	0.8	1705	1055	660	0.74
	0.9	1660	1085	680	0.76
	1.0	1620	1115	696	0.79
T5	0.1	2245	980	797	0.88
	0.2	2210	1000	807	0.89
	0.3	2170	1025	830	0.92
	0.4	2135	1050	847	0.94
	0.5	2115	1065	855	0.95
	0.6	2070	1095	878	0.98
	0.7	2040	1115	892	1.00
	0.8	2005	1130	902	1.01
	0.9	1970	1160	923	1.04
	1.0	1935	1180	940	1.06

5 Ton GE - 115 - Horizontal

SPEED TAP	EXTERNAL STATIC PRESSURE (ESP) IN W. C.	STANDARD CFM	RPM	WATTS	BHP
T1	0.1	1085	555	127	0.13
	0.2	1040	580	135	0.14
	0.3	960	620	143	0.15
	0.4	910	665	146	0.16
	0.5	850	700	163	0.17
	0.6	795	740	170	0.18
	0.7	715	795	182	0.19
	0.8	650	815	189	0.19
	0.9	-	-	-	-
	1.0	-	-	-	-
T2	0.1	1905	805	457	0.51
	0.2	1880	825	468	0.52
	0.3	1815	850	483	0.53
	0.4	1775	880	495	0.55
	0.5	1745	900	504	0.57
	0.6	1695	925	521	0.58
	0.7	1655	955	532	0.60
	0.8	1605	975	543	0.61
	0.9	1560	1000	561	0.63
	1.0	1510	1035	575	0.65
T3	0.1	1470	670	252	0.27
	0.2	1430	695	262	0.28
	0.3	1355	725	273	0.29
	0.4	1315	765	280	0.31
	0.5	1270	790	292	0.32
	0.6	1215	820	304	0.33
	0.7	1160	860	316	0.35
	0.8	1100	885	325	0.36
	0.9	1035	915	337	0.37
	1.0	940	955	348	0.39
T4	0.1	2035	845	537	0.60
	0.2	2005	865	547	0.61
	0.3	1945	890	564	0.63
	0.4	1910	915	577	0.64
	0.5	1885	930	586	0.66
	0.6	1835	960	605	0.68
	0.7	1795	985	616	0.69
	0.8	1755	1000	627	0.70
	0.9	1710	1030	646	0.73
	1.0	1670	1060	661	0.75
T5	0.1	2310	930	757	0.83
	0.2	2275	950	767	0.85
	0.3	2235	975	788	0.87
	0.4	2200	1000	804	0.89
	0.5	2180	1010	812	0.90
	0.6	2130	1040	834	0.93
	0.7	2100	1060	848	0.95
	0.8	2065	1075	857	0.96
	0.9	2030	1100	877	0.98
	1.0	1995	1120	893	1.00

5 Ton GE - 115 - Downshot

SPEED TAP	EXTERNAL STATIC PRESSURE (ESP) IN W. C.	STANDARD CFM	RPM	WATTS	BHP
T1	0.1	1055	585	134	0.14
	0.2	1010	610	142	0.15
	0.3	930	655	150	0.16
	0.4	885	700	154	0.17
	0.5	825	735	171	0.17
	0.6	770	780	179	0.19
	0.7	695	835	192	0.20
	0.8	630	860	199	0.20
	0.9	-	-	-	-
	1.0	-	-	-	-
T2	0.1	1850	845	481	0.53
	0.2	1825	870	492	0.55
	0.3	1760	895	508	0.56
	0.4	1725	925	521	0.58
	0.5	1695	945	531	0.59
	0.6	1645	975	549	0.61
	0.7	1605	1005	560	0.63
	0.8	1560	1025	572	0.64
	0.9	1515	1055	590	0.66
	1.0	1465	1090	606	0.68
T3	0.1	1425	705	265	0.29
	0.2	1390	730	276	0.30
	0.3	1315	765	287	0.31
	0.4	1275	805	295	0.33
	0.5	1235	830	308	0.34
	0.6	1180	865	320	0.35
	0.7	1125	905	332	0.37
	0.8	1070	930	342	0.38
	0.9	1005	965	355	0.39
	1.0	915	1005	366	0.41
T4	0.1	1975	890	565	0.63
	0.2	1945	910	576	0.64
	0.3	1890	935	594	0.66
	0.4	1855	965	608	0.68
	0.5	1830	980	617	0.69
	0.6	1780	1010	636	0.71
	0.7	1745	1035	649	0.73
	0.8	1705	1055	660	0.74
	0.9	1660	1085	680	0.76
	1.0	1620	1115	696	0.79
T5	0.1	2245	980	797	0.88
	0.2	2210	1000	807	0.89
	0.3	2170	1025	830	0.92
	0.4	2135	1050	847	0.94
	0.5	2115	1065	855	0.95
	0.6	2070	1095	878	0.98
	0.7	2040	1115	892	1.00
	0.8	2005	1130	902	1.01
	0.9	1970	1160	923	1.04
	1.0	1935	1180	940	1.06

5 Ton GE - 140 - Horizontal

SPEED TAP	EXTERNAL STATIC PRESSURE (ESP) IN W. C.	STANDARD CFM	RPM	WATTS	BHP
T1	0.1	1890	800	447	0.50
	0.2	1860	820	458	0.51
	0.3	1790	845	473	0.52
	0.4	1755	875	485	0.54
	0.5	1730	895	494	0.55
	0.6	1680	920	511	0.57
	0.7	1640	950	522	0.59
	0.8	1590	970	533	0.60
	0.9	1540	1000	550	0.62
	1.0	1490	1030	565	0.64
T2	0.1	1905	805	457	0.51
	0.2	1880	825	468	0.52
	0.3	1815	850	483	0.53
	0.4	1775	880	495	0.55
	0.5	1745	900	504	0.57
	0.6	1695	925	521	0.58
	0.7	1655	955	532	0.60
	0.8	1605	975	543	0.61
	0.9	1560	1000	561	0.63
	1.0	1510	1035	575	0.65
T3	0.1	2050	850	547	0.61
	0.2	2020	870	558	0.62
	0.3	1960	895	575	0.64
	0.4	1925	920	588	0.66
	0.5	1900	935	597	0.67
	0.6	1855	965	615	0.69
	0.7	1820	990	627	0.71
	0.8	1770	1005	638	0.72
	0.9	1730	1035	657	0.74
	1.0	1685	1065	672	0.76
T4	0.1	2035	845	537	0.60
	0.2	2005	865	547	0.61
	0.3	1945	890	564	0.63
	0.4	1910	915	577	0.64
	0.5	1885	930	586	0.66
	0.6	1835	960	605	0.68
	0.7	1795	985	616	0.69
	0.8	1755	1000	627	0.70
	0.9	1710	1030	646	0.73
	1.0	1670	1060	661	0.75
T5	0.1	2310	930	757	0.83
	0.2	2275	950	767	0.85
	0.3	2235	975	788	0.87
	0.4	2200	1000	804	0.89
	0.5	2180	1010	812	0.90
	0.6	2130	1040	834	0.93
	0.7	2100	1060	848	0.95
	0.8	2065	1075	857	0.96
	0.9	2030	1100	877	0.98
	1.0	1995	1120	893	1.00

5 Ton GE - 140 - Downshot

SPEED TAP	EXTERNAL STATIC PRESSURE (ESP) IN W. C.	STANDARD CFM	RPM	WATTS	BHP
T1	0.1	1835	840	471	0.52
	0.2	1805	865	482	0.54
	0.3	1740	890	498	0.55
	0.4	1705	920	510	0.57
	0.5	1680	940	520	0.58
	0.6	1630	970	538	0.60
	0.7	1590	1000	550	0.62
	0.8	1545	1020	561	0.63
	0.9	1495	1055	579	0.65
	1.0	1445	1085	595	0.67
T2	0.1	1850	845	481	0.53
	0.2	1825	870	492	0.55
	0.3	1760	895	508	0.56
	0.4	1725	925	521	0.58
	0.5	1695	945	531	0.59
	0.6	1645	975	549	0.61
	0.7	1605	1005	560	0.63
	0.8	1560	1025	572	0.64
	0.9	1515	1055	590	0.66
	1.0	1465	1090	606	0.68
T3	0.1	1990	895	576	0.64
	0.2	1960	915	587	0.65
	0.3	1905	940	605	0.67
	0.4	1870	970	619	0.69
	0.5	1845	985	628	0.70
	0.6	1800	1015	648	0.72
	0.7	1765	1040	660	0.74
	0.8	1720	1060	672	0.76
	0.9	1680	1090	691	0.78
	1.0	1635	1120	707	0.80
T4	0.1	1975	890	565	0.63
	0.2	1945	910	576	0.64
	0.3	1890	935	594	0.66
	0.4	1855	965	608	0.68
	0.5	1830	980	617	0.69
	0.6	1780	1010	636	0.71
	0.7	1745	1035	649	0.73
	0.8	1705	1055	660	0.74
	0.9	1660	1085	680	0.76
	1.0	1620	1115	696	0.79
T5	0.1	2245	980	797	0.88
	0.2	2210	1000	807	0.89
	0.3	2170	1025	830	0.92
	0.4	2135	1050	847	0.94
	0.5	2115	1065	855	0.95
	0.6	2070	1095	878	0.98
	0.7	2040	1115	892	1.00
	0.8	2005	1130	902	1.01
	0.9	1970	1160	923	1.04
	1.0	1935	1180	940	1.06

6 Ton GE - 090 - Horizontal

SPEED TAP	EXTERNAL STATIC PRESSURE (ESP) IN W. C.	STANDARD CFM	RPM	WATTS	BHP
T1	0.1	1400	595	195	0.19
	0.2	1355	635	205	0.21
	0.3	1290	675	216	0.22
	0.4	1225	720	228	0.24
	0.5	1150	760	241	0.25
	0.6	1085	805	253	0.26
	0.7	1025	840	264	0.28
	0.8	945	885	275	0.29
T2	0.1	1420	600	199	0.20
	0.2	1365	640	209	0.21
	0.3	1305	680	221	0.23
	0.4	1235	725	233	0.24
	0.5	1165	765	246	0.25
	0.6	1105	805	258	0.27
	0.7	1040	845	269	0.28
	0.8	960	885	280	0.29
T3	0.1	1745	700	318	0.33
	0.2	1685	730	329	0.35
	0.3	1635	760	341	0.36
	0.4	1580	795	355	0.38
	0.5	1525	830	368	0.40
	0.6	1470	870	382	0.41
	0.7	1410	895	395	0.43
	0.8	1355	935	409	0.45
T4	0.1	2250	855	594	0.64
	0.2	2195	880	609	0.66
	0.3	2155	895	623	0.67
	0.4	2115	920	637	0.69
	0.5	2075	945	653	0.71
	0.6	2030	975	668	0.73
	0.7	1985	1000	684	0.75
	0.8	1945	1025	700	0.77
T5	0.1	2510	940	834	0.89
	0.2	2480	960	849	0.91
	0.3	2430	985	866	0.94
	0.4	2385	1005	882	0.96
	0.5	2345	1030	898	0.98
	0.6	2310	1045	912	0.99
	0.7	2270	1065	928	1.01
	0.8	2220	1085	945	1.03

6 Ton GE- 090 - Downshot

SPEED TAP	EXTERNAL STATIC PRESSURE (ESP) IN W. C.	STANDARD CFM	RPM	WATTS	BHP
T1	0.1	1335	615	199	0.20
	0.2	1290	655	209	0.21
	0.3	1230	695	220	0.23
	0.4	1165	740	233	0.24
	0.5	1095	785	246	0.26
	0.6	1035	830	258	0.27
	0.7	975	865	269	0.28
	0.8	900	910	281	0.30
T2	0.1	1350	620	203	0.21
	0.2	1300	660	213	0.22
	0.3	1245	700	225	0.23
	0.4	1175	745	238	0.25
	0.5	1110	790	251	0.26
	0.6	1050	830	263	0.28
	0.7	990	870	274	0.29
	0.8	915	910	286	0.30
T3	0.1	1660	720	324	0.34
	0.2	1605	750	336	0.36
	0.3	1555	785	348	0.37
	0.4	1505	820	362	0.39
	0.5	1450	855	376	0.41
	0.6	1400	895	390	0.43
	0.7	1345	925	403	0.44
	0.8	1290	965	417	0.46
T4	0.1	2145	880	606	0.66
	0.2	2090	905	621	0.68
	0.3	2050	925	636	0.70
	0.4	2015	950	650	0.71
	0.5	1975	975	666	0.73
	0.6	1935	1005	682	0.76
	0.7	1890	1030	698	0.77
	0.8	1850	1055	714	0.79
T5	0.1	2390	970	851	0.92
	0.2	2360	990	866	0.94
	0.3	2315	1015	884	0.97
	0.4	2270	1035	900	0.99
	0.5	2235	1060	916	1.01
	0.6	2200	1075	931	1.02
	0.7	2160	1100	947	1.05
	0.8	2115	1120	964	1.07

6 Ton GE - 115 - Horizontal

SPEED TAP	EXTERNAL STATIC PRESSURE (ESP) IN W. C.	STANDARD CFM	RPM	WATTS	BHP
T1	0.1	1795	715	339	0.36
	0.2	1735	740	351	0.37
	0.3	1685	770	363	0.38
	0.4	1635	805	376	0.40
	0.5	1580	840	390	0.42
	0.6	1530	880	405	0.44
	0.7	1475	905	417	0.45
	0.8	1410	940	432	0.47
T2	0.1	1420	600	199	0.20
	0.2	1365	640	209	0.21
	0.3	1305	680	221	0.23
	0.4	1235	725	233	0.24
	0.5	1165	765	246	0.25
	0.6	1105	805	258	0.27
	0.7	1040	845	269	0.28
	0.8	960	885	280	0.29
T3	0.1	2120	815	507	0.55
	0.2	2060	840	520	0.56
	0.3	2015	865	534	0.58
	0.4	1975	890	548	0.60
	0.5	1930	910	564	0.61
	0.6	1885	945	578	0.63
	0.7	1840	970	593	0.65
	0.8	1790	1000	610	0.67
T4	0.1	2250	855	594	0.64
	0.2	2195	880	609	0.66
	0.3	2155	895	623	0.67
	0.4	2115	920	637	0.69
	0.5	2075	945	653	0.71
	0.6	2030	975	668	0.73
	0.7	1985	1000	684	0.75
	0.8	1945	1025	700	0.77
T5	0.1	2510	940	834	0.89
	0.2	2480	960	849	0.91
	0.3	2430	985	866	0.94
	0.4	2385	1005	882	0.96
	0.5	2345	1030	898	0.98
	0.6	2310	1045	912	0.99
	0.7	2270	1065	928	1.01
	0.8	2220	1085	945	1.03

6 Ton GE - 115 - Downshot

SPEED TAP	EXTERNAL STATIC PRESSURE (ESP) IN W. C.	STANDARD CFM	RPM	WATTS	BHP
T1	0.1	1710	735	346	0.37
	0.2	1650	765	358	0.38
	0.3	1605	795	370	0.40
	0.4	1555	830	384	0.41
	0.5	1505	865	398	0.43
	0.6	1455	905	413	0.45
	0.7	1405	935	426	0.47
	0.8	1345	970	441	0.48
T2	0.1	1350	620	203	0.21
	0.2	1300	660	213	0.22
	0.3	1245	700	225	0.23
	0.4	1175	745	238	0.25
	0.5	1110	790	251	0.26
	0.6	1050	830	263	0.28
	0.7	990	870	274	0.29
	0.8	915	910	286	0.30
T3	0.1	2020	840	517	0.56
	0.2	1960	865	531	0.58
	0.3	1920	890	545	0.60
	0.4	1880	915	559	0.61
	0.5	1840	940	575	0.63
	0.6	1795	975	590	0.65
	0.7	1750	1000	605	0.67
	0.8	1705	1030	622	0.69
T4	0.1	2145	880	606	0.66
	0.2	2090	905	621	0.68
	0.3	2050	925	636	0.70
	0.4	2015	950	650	0.71
	0.5	1975	975	666	0.73
	0.6	1935	1005	682	0.76
	0.7	1890	1030	698	0.77
	0.8	1850	1055	714	0.79
T5	0.1	2390	970	851	0.92
	0.2	2360	990	866	0.94
	0.3	2315	1015	884	0.97
	0.4	2270	1035	900	0.99
	0.5	2235	1060	916	1.01
	0.6	2200	1075	931	1.02
	0.7	2160	1100	947	1.05
	0.8	2115	1120	964	1.07

6 Ton GE - 140 - Horizontal

SPEED TAP	EXTERNAL STATIC PRESSURE (ESP) IN W. C.	STANDARD CFM	RPM	WATTS	BHP
T1	0.1	1745	725	310	0.33
	0.2	1705	745	320	0.34
	0.3	1635	775	332	0.36
	0.4	1590	810	341	0.37
	0.5	1555	835	353	0.39
	0.6	1495	870	367	0.40
	0.7	1440	900	378	0.42
	0.8	1385	925	389	0.43
T2	0.1	1420	600	199	0.20
	0.2	1365	640	209	0.21
	0.3	1305	680	221	0.23
	0.4	1235	725	233	0.24
	0.5	1165	765	246	0.25
	0.6	1105	805	258	0.27
	0.7	1040	845	269	0.28
	0.8	960	885	280	0.29
T3	0.1	2290	880	586	0.65
	0.2	2260	895	597	0.66
	0.3	2200	920	614	0.67
	0.4	2165	945	629	0.69
	0.5	2140	965	637	0.71
	0.6	2090	995	658	0.73
	0.7	2055	1015	669	0.74
	0.8	2010	1040	680	0.76
T4	0.1	2250	855	594	0.64
	0.2	2195	880	609	0.66
	0.3	2155	895	623	0.67
	0.4	2115	920	637	0.69
	0.5	2075	945	653	0.71
	0.6	2030	975	668	0.73
	0.7	1985	1000	684	0.75
	0.8	1945	1025	700	0.77
T5	0.1	2510	940	834	0.89
	0.2	2480	960	849	0.91
	0.3	2430	985	866	0.94
	0.4	2385	1005	882	0.96
	0.5	2345	1030	898	0.98
	0.6	2310	1045	912	0.99
	0.7	2270	1065	928	1.01
	0.8	2220	1085	945	1.03

6 Ton GE - 140 - Downshot

SPEED TAP	EXTERNAL STATIC PRESSURE (ESP) IN W. C.	STANDARD CFM	RPM	WATTS	BHP
T1	0.1	1660	745	316	0.34
	0.2	1625	770	327	0.36
	0.3	1555	800	339	0.37
	0.4	1515	835	348	0.39
	0.5	1480	860	360	0.40
	0.6	1425	895	374	0.41
	0.7	1370	930	386	0.43
	0.8	1320	955	397	0.44
T2	0.1	1350	620	203	0.21
	0.2	1300	660	213	0.22
	0.3	1245	700	225	0.23
	0.4	1175	745	238	0.25
	0.5	1110	790	251	0.26
	0.6	1050	830	263	0.28
	0.7	990	870	274	0.29
	0.8	915	910	286	0.30
T3	0.1	2180	905	598	0.66
	0.2	2150	925	609	0.68
	0.3	2095	950	627	0.70
	0.4	2060	975	642	0.71
	0.5	2040	995	650	0.73
	0.6	1990	1025	671	0.75
	0.7	1955	1045	683	0.77
	0.8	1915	1070	694	0.78
T4	0.1	2145	880	606	0.66
	0.2	2090	905	621	0.68
	0.3	2050	925	636	0.70
	0.4	2015	950	650	0.71
	0.5	1975	975	666	0.73
	0.6	1935	1005	682	0.76
	0.7	1890	1030	698	0.77
	0.8	1850	1055	714	0.79
T5	0.1	2390	970	851	0.92
	0.2	2360	990	866	0.94
	0.3	2315	1015	884	0.97
	0.4	2270	1035	900	0.99
	0.5	2235	1060	916	1.01
	0.6	2200	1075	931	1.02
	0.7	2160	1100	947	1.05
	0.8	2115	1120	964	1.07

3 Ton GE - 045 - Downshot

SPEED TAP	EXTERNAL STATIC PRESSURE (ESP) IN W. C.	STANDARD CFM	RPM	WATTS	BHP	SPEED TAP	EXTERNAL STATIC PRESSURE (ESP) IN W. C.	STANDARD CFM	RPM	WATTS	BHP
T1	0.8	790	875	240	0.26	T1'	0.8	1115	915	340	0.37
	0.9	730	910	249	0.27		0.9	1060	950	351	0.39
	1.0	675	945	259	0.28		1.0	1005	985	363	0.40
	1.1	615	980	268	0.29		1.1	950	1015	375	0.42
	1.2	555	1020	279	0.30		1.2	895	1050	387	0.43
	1.3	515	1050	283	0.31		1.3	850	1085	397	0.44
	1.4	475	1070	289	0.32		1.4	805	1105	406	0.45
	1.5	485	1085	285	0.32		1.5	785	1130	411	0.46
	1.6	440	1085	278	0.32		1.6	735	1140	413	0.47
	1.7	345	1160	304	0.34		1.7	665	1195	432	0.49
1.8	325	1170	306	0.35	1.8	630	1210	439	0.50		
T2	0.8	1355	955	432	0.48	T2'	0.8	1590	995	542	0.61
	0.9	1305	985	444	0.50		0.9	1545	1020	556	0.62
	1.0	1255	1015	458	0.51		1.0	1495	1050	570	0.64
	1.1	1200	1050	471	0.53		1.1	1450	1080	585	0.66
	1.2	1150	1080	484	0.54		1.2	1400	1110	599	0.68
	1.3	1100	1110	497	0.56		1.3	1350	1140	615	0.69
	1.4	1055	1135	509	0.57		1.4	1305	1165	628	0.71
	1.5	1020	1165	520	0.59		1.5	1255	1195	644	0.73
	1.6	970	1180	527	0.60		1.6	1205	1220	656	0.74
	1.7	915	1220	543	0.62		1.7	1160	1245	669	0.76
1.8	870	1245	552	0.63	1.8	1110	1275	682	0.78		
T3	0.8	890	885	268	0.29	T3'	0.8	1115	915	340	0.37
	0.9	830	920	278	0.30		0.9	1060	950	351	0.39
	1.0	775	955	288	0.31		1.0	1005	985	363	0.40
	1.1	715	990	299	0.33		1.1	950	1015	375	0.42
	1.2	660	1030	309	0.34		1.2	895	1050	387	0.43
	1.3	615	1060	315	0.35		1.3	850	1085	397	0.44
	1.4	575	1080	323	0.35		1.4	805	1105	406	0.45
	1.5	575	1100	321	0.36		1.5	785	1130	411	0.46
	1.6	530	1100	317	0.36		1.6	735	1140	413	0.47
	1.7	440	1170	341	0.38		1.7	665	1195	432	0.49
1.8	415	1180	344	0.39	1.8	630	1210	439	0.50		
T4	0.8	1485	975	491	0.55	T4'	0.8	1705	1015	607	0.68
	0.9	1440	1005	504	0.56		0.9	1665	1045	621	0.70
	1.0	1390	1035	518	0.58		1.0	1615	1075	635	0.72
	1.1	1340	1065	532	0.60		1.1	1570	1100	651	0.73
	1.2	1290	1095	546	0.62		1.2	1525	1125	665	0.75
	1.3	1240	1125	560	0.63		1.3	1475	1155	681	0.77
	1.4	1195	1155	573	0.65		1.4	1430	1185	696	0.79
	1.5	1150	1185	587	0.67		1.5	1375	1215	713	0.81
	1.6	1100	1205	597	0.68		1.6	1325	1240	727	0.83
	1.7	1050	1235	611	0.69		1.7	1290	1260	740	0.84
1.8	1005	1260	623	0.71	1.8	1235	1290	754	0.86		
T5	0.8	985	900	297	0.33	T5'	0.8	1240	935	385	0.43
	0.9	930	930	307	0.34		0.9	1190	965	397	0.44
	1.0	875	970	318	0.35		1.0	1135	1000	409	0.46
	1.1	815	1000	329	0.36		1.1	1080	1030	422	0.47
	1.2	760	1040	341	0.38		1.2	1025	1065	435	0.49
	1.3	715	1070	348	0.39		1.3	980	1095	446	0.50
	1.4	675	1090	356	0.39		1.4	935	1120	457	0.51
	1.5	665	1110	358	0.40		1.5	905	1145	465	0.52
	1.6	615	1120	356	0.41		1.6	855	1165	470	0.53
	1.7	535	1180	378	0.43		1.7	795	1205	487	0.55
1.8	505	1195	383	0.43	1.8	750	1225	495	0.56		

3 Ton GE - 045 - Horizontal

SPEED TAP	EXTERNAL STATIC PRESSURE (ESP) IN W. C.	STANDARD CFM	RPM	WATTS	BHP	SPEED TAP	EXTERNAL STATIC PRESSURE (ESP) IN W. C.	STANDARD CFM	RPM	WATTS	BHP
T1	0.8	810	845	233	0.25	T1'	0.8	1145	885	330	0.36
	0.9	750	880	242	0.26		0.9	1085	915	340	0.37
	1.0	690	910	251	0.27		1.0	1030	950	352	0.39
	1.1	630	945	260	0.28		1.1	975	980	364	0.40
	1.2	570	985	271	0.29		1.2	915	1015	375	0.42
	1.3	530	1015	275	0.30		1.3	870	1045	385	0.43
	1.4	485	1035	280	0.31		1.4	825	1065	394	0.44
	1.5	495	1045	276	0.31		1.5	805	1090	399	0.45
	1.6	450	1045	270	0.31		1.6	755	1100	401	0.45
	1.7	355	1120	295	0.33		1.7	680	1155	419	0.47
1.8	335	1130	297	0.33	1.8	645	1170	426	0.48		
T2	0.8	1390	920	419	0.46	T2'	0.8	1630	960	526	0.58
	0.9	1340	950	431	0.48		0.9	1585	985	539	0.60
	1.0	1285	980	444	0.49		1.0	1530	1015	553	0.62
	1.1	1230	1015	457	0.51		1.1	1485	1040	567	0.63
	1.2	1180	1040	469	0.52		1.2	1435	1070	581	0.65
	1.3	1130	1070	482	0.54		1.3	1385	1100	597	0.67
	1.4	1080	1095	494	0.55		1.4	1340	1125	609	0.69
	1.5	1045	1125	504	0.57		1.5	1285	1155	625	0.70
	1.6	995	1140	511	0.58		1.6	1235	1175	636	0.72
	1.7	940	1175	527	0.59		1.7	1190	1200	649	0.73
1.8	890	1200	535	0.61	1.8	1140	1230	662	0.75		
T3	0.8	910	855	260	0.28	T3'	0.8	1145	885	330	0.36
	0.9	850	890	270	0.29		0.9	1085	915	340	0.37
	1.0	795	920	279	0.30		1.0	1030	950	352	0.39
	1.1	735	955	290	0.31		1.1	975	980	364	0.40
	1.2	675	995	300	0.33		1.2	915	1015	375	0.42
	1.3	630	1025	306	0.34		1.3	870	1045	385	0.43
	1.4	590	1040	313	0.34		1.4	825	1065	394	0.44
	1.5	590	1060	311	0.35		1.5	805	1090	399	0.45
	1.6	545	1060	307	0.35		1.6	755	1100	401	0.45
	1.7	450	1130	331	0.37		1.7	680	1155	419	0.47
1.8	425	1140	334	0.37	1.8	645	1170	426	0.48		
T4	0.8	1520	940	476	0.53	T4'	0.8	1750	980	589	0.65
	0.9	1475	970	489	0.54		0.9	1705	1010	602	0.67
	1.0	1425	1000	502	0.56		1.0	1655	1035	616	0.69
	1.1	1375	1030	516	0.58		1.1	1610	1060	631	0.71
	1.2	1320	1055	530	0.59		1.2	1565	1085	645	0.72
	1.3	1270	1085	543	0.61		1.3	1510	1115	661	0.74
	1.4	1225	1115	556	0.63		1.4	1465	1145	675	0.76
	1.5	1180	1145	569	0.64		1.5	1410	1170	692	0.78
	1.6	1130	1165	579	0.65		1.6	1360	1195	705	0.80
	1.7	1075	1190	593	0.67		1.7	1320	1215	718	0.81
1.8	1030	1215	604	0.68	1.8	1265	1245	731	0.83		
T5	0.8	1010	870	288	0.31	T5'	0.8	1270	900	373	0.41
	0.9	955	895	298	0.32		0.9	1220	930	385	0.42
	1.0	895	935	308	0.34		1.0	1165	965	397	0.44
	1.1	835	965	319	0.35		1.1	1105	995	409	0.45
	1.2	780	1005	331	0.36		1.2	1050	1030	422	0.47
	1.3	735	1035	338	0.37		1.3	1005	1055	433	0.48
	1.4	690	1050	345	0.38		1.4	960	1080	443	0.49
	1.5	680	1070	347	0.39		1.5	930	1105	451	0.50
	1.6	630	1080	345	0.39		1.6	875	1125	456	0.51
	1.7	550	1140	367	0.41		1.7	815	1165	472	0.53
1.8	520	1155	372	0.42	1.8	770	1180	480	0.54		

3 Ton GE - 070 - Downshot

SPEED TAP	EXTERNAL STATIC PRESSURE (ESP) IN W. C.	STANDARD CFM	RPM	WATTS	BHP	SPEED TAP	EXTERNAL STATIC PRESSURE (ESP) IN W. C.	STANDARD CFM	RPM	WATTS	BHP
T1	0.8	820	880	248	0.27	T1'	0.8	1150	920	353	0.39
	0.9	760	910	257	0.28		0.9	1100	955	364	0.40
	1.0	705	950	267	0.29		1.0	1045	990	377	0.42
	1.1	640	980	277	0.30		1.1	990	1020	389	0.43
	1.2	585	1025	287	0.31		1.2	935	1055	401	0.45
	1.3	545	1055	292	0.32		1.3	890	1085	411	0.46
	1.4	505	1075	299	0.33		1.4	845	1110	421	0.47
	1.5	510	1090	295	0.33		1.5	820	1135	427	0.48
	1.6	465	1090	289	0.33		1.6	770	1150	430	0.49
	1.7	375	1160	315	0.35		1.7	705	1195	448	0.51
T2	1.8	350	1175	317	0.36	1.8	670	1215	455	0.51	
	0.8	1355	955	432	0.48	0.8	1590	995	542	0.61	
	0.9	1305	985	444	0.50	0.9	1545	1020	556	0.62	
	1.0	1255	1015	458	0.51	1.0	1495	1050	570	0.64	
	1.1	1200	1050	471	0.53	1.1	1450	1080	585	0.66	
	1.2	1150	1080	484	0.54	1.2	1400	1110	599	0.68	
	1.3	1100	1110	497	0.56	1.3	1350	1140	615	0.69	
	1.4	1055	1135	509	0.57	1.4	1305	1165	628	0.71	
	1.5	1020	1165	520	0.59	1.5	1255	1195	644	0.73	
	1.6	970	1180	527	0.60	1.6	1205	1220	656	0.74	
T3	1.7	915	1220	543	0.62	1.7	1160	1245	669	0.76	
	1.8	870	1245	552	0.63	1.8	1110	1275	682	0.78	
	0.8	1190	925	367	0.41	0.8	1420	965	461	0.51	
	0.9	1140	960	378	0.42	0.9	1375	995	474	0.53	
	1.0	1085	995	391	0.44	1.0	1325	1025	488	0.55	
	1.1	1025	1025	403	0.45	1.1	1270	1055	502	0.56	
	1.2	975	1060	415	0.46	1.2	1220	1085	515	0.58	
	1.3	925	1090	426	0.48	1.3	1170	1120	529	0.60	
	1.4	885	1115	436	0.49	1.4	1130	1145	541	0.61	
	1.5	855	1140	443	0.50	1.5	1085	1175	554	0.63	
T4	1.6	805	1155	447	0.51	1.6	1035	1195	562	0.64	
	1.7	745	1200	465	0.53	1.7	985	1225	577	0.65	
	1.8	705	1220	472	0.53	1.8	935	1250	587	0.67	
	0.8	1485	975	491	0.55	0.8	1705	1015	607	0.68	
	0.9	1440	1005	504	0.56	0.9	1665	1045	621	0.70	
	1.0	1390	1035	518	0.58	1.0	1615	1075	635	0.72	
	1.1	1340	1065	532	0.60	1.1	1570	1100	651	0.73	
	1.2	1290	1095	546	0.62	1.2	1525	1125	665	0.75	
	1.3	1240	1125	560	0.63	1.3	1475	1155	681	0.77	
	1.4	1195	1155	573	0.65	1.4	1430	1185	696	0.79	
T5	1.5	1150	1185	587	0.67	1.5	1375	1215	713	0.81	
	1.6	1100	1205	597	0.68	1.6	1325	1240	727	0.83	
	1.7	1050	1235	611	0.69	1.7	1290	1260	740	0.84	
	1.8	1005	1260	623	0.71	1.8	1235	1290	754	0.86	
	0.8	1310	945	413	0.46	0.8	1550	985	521	0.58	
	0.9	1260	975	425	0.47	0.9	1505	1015	535	0.60	
	1.0	1205	1010	438	0.49	1.0	1455	1045	549	0.62	
	1.1	1150	1040	452	0.50	1.1	1405	1075	564	0.63	
	1.2	1100	1075	464	0.52	1.2	1355	1105	577	0.65	
	1.3	1050	1105	477	0.54	1.3	1305	1135	593	0.67	
T5'	1.4	1010	1130	488	0.55	1.4	1265	1160	606	0.68	
	1.5	975	1155	498	0.56	1.5	1215	1190	621	0.70	
	1.6	925	1175	504	0.57	1.6	1165	1215	632	0.72	
	1.7	865	1215	520	0.59	1.7	1120	1240	646	0.73	
	1.8	820	1235	529	0.60	1.8	1070	1270	658	0.75	

3 Ton GE - 070 - Horizontal

SPEED TAP	EXTERNAL STATIC PRESSURE (ESP) IN W. C.	STANDARD CFM	RPM	WATTS	BHP	SPEED TAP	EXTERNAL STATIC PRESSURE (ESP) IN W. C.	STANDARD CFM	RPM	WATTS	BHP
T1	0.8	840	850	241	0.26	T1'	0.8	1180	890	342	0.38
	0.9	780	880	249	0.27		0.9	1130	920	353	0.39
	1.0	725	915	259	0.28		1.0	1070	955	366	0.40
	1.1	655	945	269	0.29		1.1	1015	985	377	0.42
	1.2	600	990	278	0.30		1.2	960	1020	389	0.43
	1.3	560	1020	283	0.31		1.3	910	1045	399	0.44
	1.4	520	1035	290	0.32		1.4	865	1070	408	0.45
	1.5	525	1050	286	0.32		1.5	840	1095	414	0.46
	1.6	475	1050	280	0.32		1.6	790	1110	417	0.47
	1.7	385	1120	306	0.34		1.7	725	1155	435	0.49
1.8	360	1135	307	0.35	1.8	685	1170	441	0.50		
T2	0.8	1390	920	419	0.46	T2'	0.8	1630	960	526	0.58
	0.9	1340	950	431	0.48		0.9	1585	985	539	0.60
	1.0	1285	980	444	0.49		1.0	1530	1015	553	0.62
	1.1	1230	1015	457	0.51		1.1	1485	1040	567	0.63
	1.2	1180	1040	469	0.52		1.2	1435	1070	581	0.65
	1.3	1130	1070	482	0.54		1.3	1385	1100	597	0.67
	1.4	1080	1095	494	0.55		1.4	1340	1125	609	0.69
	1.5	1045	1125	504	0.57		1.5	1285	1155	625	0.70
	1.6	995	1140	511	0.58		1.6	1235	1175	636	0.72
	1.7	940	1175	527	0.59		1.7	1190	1200	649	0.73
1.8	890	1200	535	0.61	1.8	1140	1230	662	0.75		
T3	0.8	1220	895	356	0.39	T3'	0.8	1455	930	447	0.50
	0.9	1170	925	367	0.41		0.9	1410	960	460	0.51
	1.0	1110	960	379	0.42		1.0	1360	990	473	0.53
	1.1	1050	990	391	0.43		1.1	1300	1020	487	0.54
	1.2	1000	1025	403	0.45		1.2	1250	1045	500	0.56
	1.3	950	1050	413	0.46		1.3	1200	1080	513	0.58
	1.4	905	1075	423	0.47		1.4	1160	1105	525	0.59
	1.5	875	1100	430	0.48		1.5	1110	1135	537	0.61
	1.6	825	1115	434	0.49		1.6	1060	1155	545	0.62
	1.7	765	1160	451	0.51		1.7	1010	1180	560	0.63
1.8	725	1175	458	0.51	1.8	960	1205	569	0.64		
T4	0.8	1520	940	476	0.53	T4'	0.8	1750	980	589	0.65
	0.9	1475	970	489	0.54		0.9	1705	1010	602	0.67
	1.0	1425	1000	502	0.56		1.0	1655	1035	616	0.69
	1.1	1375	1030	516	0.58		1.1	1610	1060	631	0.71
	1.2	1320	1055	530	0.59		1.2	1565	1085	645	0.72
	1.3	1270	1085	543	0.61		1.3	1510	1115	661	0.74
	1.4	1225	1115	556	0.63		1.4	1465	1145	675	0.76
	1.5	1180	1145	569	0.64		1.5	1410	1170	692	0.78
	1.6	1130	1165	579	0.65		1.6	1360	1195	705	0.80
	1.7	1075	1190	593	0.67		1.7	1320	1215	718	0.81
1.8	1030	1215	604	0.68	1.8	1265	1245	731	0.83		
T5	0.8	1345	910	401	0.44	T5'	0.8	1590	950	505	0.56
	0.9	1290	940	412	0.46		0.9	1545	980	519	0.58
	1.0	1235	975	425	0.47		1.0	1490	1010	533	0.60
	1.1	1180	1005	438	0.49		1.1	1440	1035	547	0.61
	1.2	1130	1035	450	0.50		1.2	1390	1065	560	0.63
	1.3	1075	1065	463	0.52		1.3	1340	1095	575	0.65
	1.4	1035	1090	473	0.53		1.4	1295	1120	588	0.66
	1.5	1000	1115	483	0.54		1.5	1245	1150	602	0.68
	1.6	950	1135	489	0.55		1.6	1195	1170	613	0.69
	1.7	885	1170	504	0.57		1.7	1150	1195	627	0.71
1.8	840	1190	513	0.58	1.8	1095	1225	638	0.72		

3 Ton GE - 090 - Downshot

SPEED TAP	EXTERNAL STATIC PRESSURE (ESP) IN W. C.	STANDARD CFM	RPM	WATTS	BHP	SPEED TAP	EXTERNAL STATIC PRESSURE (ESP) IN W. C.	STANDARD CFM	RPM	WATTS	BHP
T1	0.8	985	900	297	0.33	T1'	0.8	1310	945	413	0.46
	0.9	930	930	307	0.34		0.9	1260	975	425	0.47
	1.0	875	970	318	0.35		1.0	1205	1010	438	0.49
	1.1	815	1000	329	0.36		1.1	1150	1040	452	0.50
	1.2	760	1040	341	0.38		1.2	1100	1075	464	0.52
	1.3	715	1070	348	0.39		1.3	1050	1105	477	0.54
	1.4	675	1090	356	0.39		1.4	1010	1130	488	0.55
	1.5	665	1110	358	0.40		1.5	975	1155	498	0.56
	1.6	615	1120	356	0.41		1.6	925	1175	504	0.57
	1.7	535	1180	378	0.43		1.7	865	1215	520	0.59
1.8	505	1195	383	0.43	1.8	820	1235	529	0.60		
T2	0.8	1355	955	432	0.48	T2'	0.8	1590	995	542	0.61
	0.9	1305	985	444	0.50		0.9	1545	1020	556	0.62
	1.0	1255	1015	458	0.51		1.0	1495	1050	570	0.64
	1.1	1200	1050	471	0.53		1.1	1450	1080	585	0.66
	1.2	1150	1080	484	0.54		1.2	1400	1110	599	0.68
	1.3	1100	1110	497	0.56		1.3	1350	1140	615	0.69
	1.4	1055	1135	509	0.57		1.4	1305	1165	628	0.71
	1.5	1020	1165	520	0.59		1.5	1255	1195	644	0.73
	1.6	970	1180	527	0.60		1.6	1205	1220	656	0.74
	1.7	915	1220	543	0.62		1.7	1160	1245	669	0.76
1.8	870	1245	552	0.63	1.8	1110	1275	682	0.78		
T3	0.8	1540	985	516	0.58	T3'	0.8	1740	1025	629	0.70
	0.9	1495	1015	530	0.59		0.9	1700	1050	643	0.72
	1.0	1445	1045	544	0.61		1.0	1655	1080	657	0.74
	1.1	1395	1075	559	0.63		1.1	1610	1105	673	0.76
	1.2	1345	1100	572	0.64		1.2	1560	1130	687	0.77
	1.3	1295	1135	587	0.66		1.3	1515	1160	704	0.80
	1.4	1250	1160	601	0.68		1.4	1470	1190	719	0.82
	1.5	1205	1190	616	0.70		1.5	1415	1220	737	0.84
	1.6	1155	1215	626	0.71		1.6	1365	1245	751	0.85
	1.7	1110	1240	640	0.73		1.7	1330	1265	764	0.87
1.8	1060	1265	652	0.74	1.8	1275	1295	779	0.89		
T4	0.8	1485	975	491	0.55	T4'	0.8	1705	1015	607	0.68
	0.9	1440	1005	504	0.56		0.9	1665	1045	621	0.70
	1.0	1390	1035	518	0.58		1.0	1615	1075	635	0.72
	1.1	1340	1065	532	0.60		1.1	1570	1100	651	0.73
	1.2	1290	1095	546	0.62		1.2	1525	1125	665	0.75
	1.3	1240	1125	560	0.63		1.3	1475	1155	681	0.77
	1.4	1195	1155	573	0.65		1.4	1430	1185	696	0.79
	1.5	1150	1185	587	0.67		1.5	1375	1215	713	0.81
	1.6	1100	1205	597	0.68		1.6	1325	1240	727	0.83
	1.7	1050	1235	611	0.69		1.7	1290	1260	740	0.84
1.8	1005	1260	623	0.71	1.8	1235	1290	754	0.86		
T5	0.8	1665	1010	585	0.65	T5'	0.8	1875	1055	720	0.80
	0.9	1625	1035	599	0.67		0.9	1835	1080	735	0.82
	1.0	1575	1065	613	0.69		1.0	1795	1105	749	0.84
	1.1	1530	1095	628	0.71		1.1	1755	1130	765	0.86
	1.2	1485	1120	643	0.73		1.2	1710	1155	780	0.88
	1.3	1435	1150	659	0.74		1.3	1660	1185	797	0.90
	1.4	1390	1175	673	0.76		1.4	1620	1210	813	0.92
	1.5	1340	1210	690	0.78		1.5	1565	1240	831	0.94
	1.6	1285	1235	703	0.80		1.6	1520	1265	848	0.96
	1.7	1245	1255	716	0.81		1.7	1485	1285	861	0.98
1.8	1195	1285	730	0.83	1.8	1430	1315	878	1.00		

3 Ton GE - 090 - Horizontal

SPEED TAP	EXTERNAL STATIC PRESSURE (ESP) IN W. C.	STANDARD CFM	RPM	WATTS	BHP	SPEED TAP	EXTERNAL STATIC PRESSURE (ESP) IN W. C.	STANDARD CFM	RPM	WATTS	BHP
T1	0.8	1010	870	288	0.31	T1'	0.8	1345	910	401	0.44
	0.9	955	895	298	0.32		0.9	1290	940	412	0.46
	1.0	895	935	308	0.34		1.0	1235	975	425	0.47
	1.1	835	965	319	0.35		1.1	1180	1005	438	0.49
	1.2	780	1005	331	0.36		1.2	1130	1035	450	0.50
	1.3	735	1035	338	0.37		1.3	1075	1065	463	0.52
	1.4	690	1050	345	0.38		1.4	1035	1090	473	0.53
	1.5	680	1070	347	0.39		1.5	1000	1115	483	0.54
	1.6	630	1080	345	0.39		1.6	950	1135	489	0.55
	1.7	550	1140	367	0.41		1.7	885	1170	504	0.57
1.8	520	1155	372	0.42	1.8	840	1190	513	0.58		
T2	0.8	1390	920	419	0.46	T2'	0.8	1630	960	526	0.58
	0.9	1340	950	431	0.48		0.9	1585	985	539	0.60
	1.0	1285	980	444	0.49		1.0	1530	1015	553	0.62
	1.1	1230	1015	457	0.51		1.1	1485	1040	567	0.63
	1.2	1180	1040	469	0.52		1.2	1435	1070	581	0.65
	1.3	1130	1070	482	0.54		1.3	1385	1100	597	0.67
	1.4	1080	1095	494	0.55		1.4	1340	1125	609	0.69
	1.5	1045	1125	504	0.57		1.5	1285	1155	625	0.70
	1.6	995	1140	511	0.58		1.6	1235	1175	636	0.72
	1.7	940	1175	527	0.59		1.7	1190	1200	649	0.73
1.8	890	1200	535	0.61	1.8	1140	1230	662	0.75		
T3	0.8	1580	950	501	0.56	T3'	0.8	1785	990	610	0.68
	0.9	1530	980	514	0.57		0.9	1740	1015	624	0.70
	1.0	1480	1010	528	0.59		1.0	1695	1040	637	0.71
	1.1	1430	1035	542	0.61		1.1	1650	1065	653	0.73
	1.2	1380	1060	555	0.62		1.2	1600	1090	666	0.75
	1.3	1325	1095	569	0.64		1.3	1555	1120	683	0.77
	1.4	1280	1120	583	0.66		1.4	1505	1150	697	0.79
	1.5	1235	1150	598	0.67		1.5	1450	1175	715	0.81
	1.6	1185	1170	607	0.69		1.6	1400	1200	728	0.82
	1.7	1140	1195	621	0.70		1.7	1365	1220	741	0.84
1.8	1085	1220	632	0.71	1.8	1305	1250	756	0.86		
T4	0.8	1520	940	476	0.53	T4'	0.8	1750	980	589	0.65
	0.9	1475	970	489	0.54		0.9	1705	1010	602	0.67
	1.0	1425	1000	502	0.56		1.0	1655	1035	616	0.69
	1.1	1375	1030	516	0.58		1.1	1610	1060	631	0.71
	1.2	1320	1055	530	0.59		1.2	1565	1085	645	0.72
	1.3	1270	1085	543	0.61		1.3	1510	1115	661	0.74
	1.4	1225	1115	556	0.63		1.4	1465	1145	675	0.76
	1.5	1180	1145	569	0.64		1.5	1410	1170	692	0.78
	1.6	1130	1165	579	0.65		1.6	1360	1195	705	0.80
	1.7	1075	1190	593	0.67		1.7	1320	1215	718	0.81
1.8	1030	1215	604	0.68	1.8	1265	1245	731	0.83		
T5	0.8	1705	975	567	0.63	T5'	0.8	1920	1020	698	0.78
	0.9	1665	1000	581	0.65		0.9	1880	1040	713	0.79
	1.0	1615	1030	595	0.67		1.0	1840	1065	727	0.81
	1.1	1570	1055	609	0.68		1.1	1800	1090	742	0.83
	1.2	1520	1080	624	0.70		1.2	1755	1115	757	0.85
	1.3	1470	1110	639	0.72		1.3	1700	1145	773	0.87
	1.4	1425	1135	653	0.73		1.4	1660	1170	789	0.89
	1.5	1375	1170	669	0.76		1.5	1605	1195	806	0.91
	1.6	1315	1190	682	0.77		1.6	1560	1220	823	0.93
	1.7	1275	1210	695	0.78		1.7	1520	1240	835	0.94
1.8	1225	1240	708	0.80	1.8	1465	1270	852	0.97		

4 Ton GE - 070 - Downshot

SPEED TAP	EXTERNAL STATIC PRESSURE (ESP) IN W. C.	STANDARD CFM	RPM	WATTS	BHP	SPEED TAP	EXTERNAL STATIC PRESSURE (ESP) IN W. C.	STANDARD CFM	RPM	WATTS	BHP
T1	0.8	810	890	253	0.27	T1'	0.8	1125	945	364	0.40
	0.9	740	925	262	0.28		0.9	1065	975	378	0.42
	1.0	625	965	271	0.29		1.0	980	1015	390	0.43
	1.1	740	985	278	0.30		1.1	1015	1035	398	0.44
	1.2	700	1030	287	0.31		1.2	970	1075	412	0.46
	1.3	715	1060	293	0.32		1.3	955	1105	421	0.47
	1.4	650	1080	302	0.33		1.4	910	1125	429	0.48
	1.5	-	-	-	-		1.5	820	1160	442	0.50
	1.6	-	-	-	-		1.6	775	1185	451	0.51
	1.7	-	-	-	-		1.7	720	1190	454	0.51
1.8	-	-	-	-	1.8	695	1215	466	0.52		
T2	0.8	1770	1070	706	0.79	T2'	0.8	1950	1115	851	0.96
	0.9	1730	1100	726	0.82		0.9	1915	1145	872	0.98
	1.0	1690	1130	742	0.84		1.0	1880	1165	889	1.00
	1.1	1640	1150	753	0.85		1.1	1835	1185	900	1.02
	1.2	1590	1180	774	0.88		1.2	1790	1215	921	1.04
	1.3	1540	1205	791	0.89		1.3	1745	1240	940	1.06
	1.4	1500	1230	798	0.91		1.4	1695	1265	949	1.08
	1.5	1465	1255	819	0.93		1.5	1660	1290	974	1.11
	1.6	1425	1275	833	0.95		1.6	1620	1310	990	1.12
	1.7	1395	1300	839	0.97		1.7	1590	1330	997	1.14
1.8	1350	1335	861	0.99	1.8	1545	1365	1021	1.17		
T3	0.8	1125	945	364	0.40	T3'	0.8	1375	990	474	0.53
	0.9	1065	975	378	0.42		0.9	1325	1020	490	0.55
	1.0	980	1015	390	0.43		1.0	1260	1055	504	0.57
	1.1	1015	1035	398	0.44		1.1	1245	1080	513	0.58
	1.2	970	1075	412	0.46		1.2	1195	1115	531	0.60
	1.3	955	1105	421	0.47		1.3	1165	1140	543	0.61
	1.4	910	1125	429	0.48		1.4	1125	1160	550	0.62
	1.5	820	1160	442	0.50		1.5	1060	1190	566	0.64
	1.6	775	1185	451	0.51		1.6	1025	1215	575	0.65
	1.7	720	1190	454	0.51		1.7	975	1230	580	0.66
1.8	695	1215	466	0.52	1.8	940	1265	596	0.68		
T4	0.8	1895	1100	802	0.90	T4'	0.8	2005	1130	902	1.01
	0.9	1855	1130	822	0.93		0.9	1970	1160	923	1.04
	1.0	1820	1155	839	0.95		1.0	1935	1180	940	1.06
	1.1	1775	1175	850	0.96		1.1	1900	1195	951	1.07
	1.2	1725	1205	871	0.99		1.2	1855	1225	972	1.10
	1.3	1675	1230	889	1.01		1.3	1810	1250	991	1.12
	1.4	1635	1250	898	1.02		1.4	1760	1275	1002	1.14
	1.5	1595	1275	921	1.04		1.5	1720	1300	1028	1.16
	1.6	1560	1300	937	1.06		1.6	1680	1325	1045	1.19
	1.7	1525	1320	944	1.08		1.7	1650	1340	1052	1.20
1.8	1480	1355	967	1.11	1.8	1605	1375	1076	1.23		
T5	0.8	1280	970	430	0.48	T5'	0.8	1495	1010	535	0.60
	0.9	1225	1005	445	0.50		0.9	1445	1045	553	0.62
	1.0	1155	1040	458	0.51		1.0	1390	1080	567	0.64
	1.1	1155	1060	467	0.52		1.1	1360	1100	577	0.65
	1.2	1110	1100	484	0.54		1.2	1310	1135	596	0.68
	1.3	1085	1130	495	0.56		1.3	1270	1160	610	0.69
	1.4	1040	1145	501	0.57		1.4	1235	1180	616	0.70
	1.5	970	1180	516	0.58		1.5	1180	1210	633	0.72
	1.6	930	1205	526	0.60		1.6	1145	1230	644	0.73
	1.7	880	1215	529	0.60		1.7	1100	1250	649	0.74
1.8	845	1245	544	0.62	1.8	1060	1285	668	0.76		

4 Ton GE - 070 - Horizontal

SPEED TAP	EXTERNAL STATIC PRESSURE (ESP) IN W. C.	STANDARD CFM	RPM	WATTS	BHP	SPEED TAP	EXTERNAL STATIC PRESSURE (ESP) IN W. C.	STANDARD CFM	RPM	WATTS	BHP
T1	0.8	835	845	240	0.26	T1'	0.8	1160	900	346	0.39
	0.9	760	880	249	0.27		0.9	1095	925	359	0.40
	1.0	645	915	257	0.28		1.0	1010	965	371	0.41
	1.1	760	935	264	0.28		1.1	1045	985	378	0.42
	1.2	720	980	273	0.30		1.2	1000	1020	391	0.44
	1.3	735	1005	278	0.31		1.3	985	1050	400	0.45
	1.4	670	1025	287	0.31		1.4	935	1070	408	0.46
	1.5	-	-	-	-		1.5	845	1100	420	0.47
	1.6	-	-	-	-		1.6	800	1125	428	0.48
	1.7	-	-	-	-		1.7	740	1130	431	0.48
1.8	-	-	-	-	1.8	715	1155	443	0.49		
T2	0.8	1825	1015	671	0.75	T2'	0.8	2010	1060	808	0.91
	0.9	1780	1045	690	0.78		0.9	1970	1090	828	0.93
	1.0	1740	1075	705	0.80		1.0	1935	1105	845	0.95
	1.1	1690	1095	715	0.81		1.1	1890	1125	855	0.96
	1.2	1640	1120	735	0.83		1.2	1845	1155	875	0.99
	1.3	1585	1145	751	0.85		1.3	1795	1180	893	1.01
	1.4	1545	1170	758	0.87		1.4	1745	1200	902	1.03
	1.5	1510	1190	778	0.88		1.5	1710	1225	925	1.05
	1.6	1470	1210	791	0.90		1.6	1670	1245	941	1.07
	1.7	1435	1235	797	0.92		1.7	1640	1265	947	1.08
1.8	1390	1270	818	0.94	1.8	1590	1295	970	1.11		
T3	0.8	1160	900	346	0.39	T3'	0.8	1415	940	450	0.51
	0.9	1095	925	359	0.40		0.9	1365	970	466	0.52
	1.0	1010	965	371	0.41		1.0	1300	1000	479	0.54
	1.1	1045	985	378	0.42		1.1	1280	1025	487	0.55
	1.2	1000	1020	391	0.44		1.2	1230	1060	504	0.57
	1.3	985	1050	400	0.45		1.3	1200	1085	516	0.58
	1.4	935	1070	408	0.46		1.4	1160	1100	523	0.59
	1.5	845	1100	420	0.47		1.5	1090	1130	538	0.61
	1.6	800	1125	428	0.48		1.6	1055	1155	546	0.62
	1.7	740	1130	431	0.48		1.7	1005	1170	551	0.63
1.8	715	1155	443	0.49	1.8	970	1200	566	0.65		
T4	0.8	1950	1045	762	0.86	T4'	0.8	2065	1075	857	0.96
	0.9	1910	1075	781	0.88		0.9	2030	1100	877	0.98
	1.0	1875	1095	797	0.90		1.0	1995	1120	893	1.00
	1.1	1830	1115	808	0.91		1.1	1955	1135	903	1.02
	1.2	1775	1145	827	0.94		1.2	1910	1165	923	1.04
	1.3	1725	1170	845	0.96		1.3	1865	1190	941	1.06
	1.4	1685	1190	853	0.97		1.4	1815	1210	952	1.08
	1.5	1645	1210	875	0.99		1.5	1770	1235	977	1.11
	1.6	1605	1235	890	1.01		1.6	1730	1260	993	1.13
	1.7	1570	1255	897	1.03		1.7	1700	1275	999	1.14
1.8	1525	1285	919	1.05	1.8	1655	1305	1022	1.17		
T5	0.8	1320	920	409	0.46	T5'	0.8	1540	960	508	0.57
	0.9	1260	955	423	0.47		0.9	1490	995	525	0.59
	1.0	1190	990	435	0.49		1.0	1430	1025	539	0.61
	1.1	1190	1005	444	0.50		1.1	1400	1045	548	0.62
	1.2	1145	1045	460	0.52		1.2	1350	1080	566	0.64
	1.3	1120	1075	470	0.53		1.3	1310	1100	580	0.65
	1.4	1070	1090	476	0.54		1.4	1270	1120	585	0.67
	1.5	1000	1120	490	0.55		1.5	1215	1150	601	0.68
	1.6	960	1145	500	0.57		1.6	1180	1170	612	0.70
	1.7	905	1155	503	0.57		1.7	1135	1190	617	0.71
1.8	870	1185	517	0.59	1.8	1090	1220	635	0.73		

4 Ton GE - 090 - Downshot

SPEED TAP	EXTERNAL STATIC PRESSURE (ESP) IN W. C.	STANDARD CFM	RPM	WATTS	BHP	SPEED TAP	EXTERNAL STATIC PRESSURE (ESP) IN W. C.	STANDARD CFM	RPM	WATTS	BHP
T1	0.8	1055	930	338	0.37	T1'	0.8	1365	985	469	0.53
	0.9	995	965	350	0.39		0.9	1315	1020	485	0.54
	1.0	900	1005	362	0.40		1.0	1245	1055	499	0.56
	1.1	955	1025	369	0.41		1.1	1235	1075	508	0.57
	1.2	910	1065	383	0.43		1.2	1190	1110	526	0.59
	1.3	900	1095	391	0.44		1.3	1155	1140	538	0.61
	1.4	850	1115	399	0.45		1.4	1115	1160	544	0.62
	1.5	755	1150	412	0.46		1.5	1050	1190	560	0.63
	1.6	710	1175	420	0.47		1.6	1015	1215	570	0.65
	1.7	645	1180	422	0.47		1.7	965	1230	574	0.66
T2	1.8	625	1200	433	0.48	1.8	930	1260	591	0.67	
	0.8	1770	1070	706	0.79	T2'	0.8	1950	1115	851	0.96
	0.9	1730	1100	726	0.82		0.9	1915	1145	872	0.98
	1.0	1690	1130	742	0.84		1.0	1880	1165	889	1.00
	1.1	1640	1150	753	0.85		1.1	1835	1185	900	1.02
	1.2	1590	1180	774	0.88		1.2	1790	1215	921	1.04
	1.3	1540	1205	791	0.89		1.3	1745	1240	940	1.06
	1.4	1500	1230	798	0.91		1.4	1695	1265	949	1.08
	1.5	1465	1255	819	0.93		1.5	1660	1290	974	1.11
	1.6	1425	1275	833	0.95		1.6	1620	1310	990	1.12
1.7	1395	1300	839	0.97	1.7		1590	1330	997	1.14	
T3	1.8	1350	1335	861	0.99	1.8	1545	1365	1021	1.17	
	0.8	1505	1015	540	0.61	T3'	0.8	1705	1055	660	0.74
	0.9	1455	1045	558	0.63		0.9	1660	1085	680	0.76
	1.0	1400	1080	573	0.65		1.0	1620	1115	696	0.79
	1.1	1370	1100	582	0.66		1.1	1570	1135	706	0.80
	1.2	1320	1135	602	0.68		1.2	1520	1170	727	0.82
	1.3	1280	1160	615	0.70		1.3	1475	1195	743	0.84
	1.4	1240	1180	622	0.71		1.4	1435	1215	750	0.86
	1.5	1190	1210	639	0.73		1.5	1395	1240	770	0.87
	1.6	1155	1230	650	0.74		1.6	1360	1265	782	0.89
1.7	1110	1250	655	0.75	1.7		1325	1285	789	0.91	
T4	1.8	1070	1290	674	0.77	1.8	1275	1325	810	0.93	
	0.8	1895	1100	802	0.90	T4'	0.8	2005	1130	902	1.01
	0.9	1855	1130	822	0.93		0.9	1970	1160	923	1.04
	1.0	1820	1155	839	0.95		1.0	1935	1180	940	1.06
	1.1	1775	1175	850	0.96		1.1	1900	1195	951	1.07
	1.2	1725	1205	871	0.99		1.2	1855	1225	972	1.10
	1.3	1675	1230	889	1.01		1.3	1810	1250	991	1.12
	1.4	1635	1250	898	1.02		1.4	1760	1275	1002	1.14
	1.5	1595	1275	921	1.04		1.5	1720	1300	1028	1.16
	1.6	1560	1300	937	1.06		1.6	1680	1325	1045	1.19
1.7	1525	1320	944	1.08	1.7		1650	1340	1052	1.20	
T5	1.8	1480	1355	967	1.11	1.8	1605	1375	1076	1.23	
	0.8	1635	1040	615	0.69	T5'	0.8	1820	1085	741	0.84
	0.9	1590	1070	634	0.71		0.9	1780	1110	762	0.86
	1.0	1545	1105	650	0.74		1.0	1740	1140	778	0.88
	1.1	1500	1125	660	0.75		1.1	1690	1160	789	0.89
	1.2	1450	1155	681	0.77		1.2	1640	1190	810	0.92
	1.3	1405	1185	696	0.79		1.3	1590	1215	827	0.94
	1.4	1365	1205	702	0.80		1.4	1550	1235	835	0.95
	1.5	1320	1230	721	0.82		1.5	1515	1260	857	0.97
	1.6	1285	1250	733	0.83		1.6	1480	1285	871	0.99
1.7	1250	1275	739	0.85	1.7		1445	1305	878	1.01	
1.8	1205	1310	760	0.87	1.8	1400	1345	900	1.04		

4 Ton GE - 090 - Horizontal

SPEED TAP	EXTERNAL STATIC PRESSURE (ESP) IN W. C.	STANDARD CFM	RPM	WATTS	BHP	SPEED TAP	EXTERNAL STATIC PRESSURE (ESP) IN W. C.	STANDARD CFM	RPM	WATTS	BHP
T1	0.8	1085	885	321	0.35	T1'	0.8	1405	935	446	0.50
	0.9	1025	915	333	0.37		0.9	1355	970	461	0.52
	1.0	925	955	344	0.38		1.0	1280	1000	474	0.53
	1.1	985	975	351	0.39		1.1	1270	1020	483	0.54
	1.2	935	1010	364	0.40		1.2	1225	1055	500	0.56
	1.3	925	1040	371	0.42		1.3	1190	1085	511	0.58
	1.4	875	1060	379	0.42		1.4	1150	1100	517	0.59
	1.5	780	1095	391	0.44		1.5	1080	1130	532	0.60
	1.6	730	1115	399	0.45		1.6	1045	1155	542	0.62
	1.7	665	1120	401	0.45		1.7	995	1170	545	0.62
1.8	645	1140	411	0.46	1.8	960	1195	561	0.64		
T2	0.8	1825	1015	671	0.75	T2'	0.8	2010	1060	808	0.91
	0.9	1780	1045	690	0.78		0.9	1970	1090	828	0.93
	1.0	1740	1075	705	0.80		1.0	1935	1105	845	0.95
	1.1	1690	1095	715	0.81		1.1	1890	1125	855	0.96
	1.2	1640	1120	735	0.83		1.2	1845	1155	875	0.99
	1.3	1585	1145	751	0.85		1.3	1795	1180	893	1.01
	1.4	1545	1170	758	0.87		1.4	1745	1200	902	1.03
	1.5	1510	1190	778	0.88		1.5	1710	1225	925	1.05
	1.6	1470	1210	791	0.90		1.6	1670	1245	941	1.07
	1.7	1435	1235	797	0.92		1.7	1640	1265	947	1.08
1.8	1390	1270	818	0.94	1.8	1590	1295	970	1.11		
T3	0.8	1550	965	513	0.58	T3'	0.8	1755	1000	627	0.70
	0.9	1500	995	530	0.60		0.9	1710	1030	646	0.73
	1.0	1440	1025	544	0.61		1.0	1670	1060	661	0.75
	1.1	1410	1045	553	0.63		1.1	1615	1080	671	0.76
	1.2	1360	1080	572	0.65		1.2	1565	1110	691	0.78
	1.3	1320	1100	584	0.66		1.3	1520	1135	706	0.80
	1.4	1275	1120	591	0.67		1.4	1480	1155	713	0.81
	1.5	1225	1150	607	0.69		1.5	1435	1180	732	0.83
	1.6	1190	1170	618	0.70		1.6	1400	1200	743	0.85
	1.7	1145	1190	622	0.71		1.7	1365	1220	750	0.86
1.8	1100	1225	640	0.73	1.8	1315	1260	770	0.89		
T4	0.8	1950	1045	762	0.86	T4'	0.8	2065	1075	857	0.96
	0.9	1910	1075	781	0.88		0.9	2030	1100	877	0.98
	1.0	1875	1095	797	0.90		1.0	1995	1120	893	1.00
	1.1	1830	1115	808	0.91		1.1	1955	1135	903	1.02
	1.2	1775	1145	827	0.94		1.2	1910	1165	923	1.04
	1.3	1725	1170	845	0.96		1.3	1865	1190	941	1.06
	1.4	1685	1190	853	0.97		1.4	1815	1210	952	1.08
	1.5	1645	1210	875	0.99		1.5	1770	1235	977	1.11
	1.6	1605	1235	890	1.01		1.6	1730	1260	993	1.13
	1.7	1570	1255	897	1.03		1.7	1700	1275	999	1.14
1.8	1525	1285	919	1.05	1.8	1655	1305	1022	1.17		
T5	0.8	1685	990	584	0.66	T5'	0.8	1875	1030	704	0.79
	0.9	1640	1015	602	0.68		0.9	1835	1055	724	0.81
	1.0	1590	1050	618	0.70		1.0	1790	1085	739	0.84
	1.1	1545	1070	627	0.71		1.1	1740	1100	750	0.85
	1.2	1495	1095	647	0.73		1.2	1690	1130	770	0.87
	1.3	1445	1125	661	0.75		1.3	1640	1155	786	0.89
	1.4	1405	1145	667	0.76		1.4	1595	1175	793	0.91
	1.5	1360	1170	685	0.78		1.5	1560	1195	814	0.92
	1.6	1325	1190	696	0.79		1.6	1525	1220	827	0.94
	1.7	1290	1210	702	0.81		1.7	1490	1240	834	0.96
1.8	1240	1245	722	0.83	1.8	1440	1280	855	0.99		

4 Ton GE - 115 - Downshot

SPEED TAP	EXTERNAL STATIC PRESSURE (ESP) IN W. C.	STANDARD CFM	RPM	WATTS	BHP	SPEED TAP	EXTERNAL STATIC PRESSURE (ESP) IN W. C.	STANDARD CFM	RPM	WATTS	BHP
T1	0.8	680	870	214	0.22	T1'	0.8	1445	1000	509	0.57
	0.9	605	905	221	0.23		0.9	1395	1035	526	0.59
	1.0	-	-	-	-		1.0	1335	1070	541	0.61
	1.1	-	-	-	-		1.1	1310	1090	550	0.62
	1.2	-	-	-	-		1.2	1265	1125	569	0.64
	1.3	-	-	-	-		1.3	1230	1155	582	0.66
	1.4	-	-	-	-		1.4	1190	1175	588	0.67
	1.5	-	-	-	-		1.5	1130	1200	605	0.69
	1.6	-	-	-	-		1.6	1095	1225	615	0.70
	1.7	-	-	-	-		1.7	1050	1245	620	0.71
1.8	-	-	-	-	1.8	1010	1275	638	0.73		
T2	0.8	1770	1070	706	0.79	T2'	0.8	1950	1115	851	0.96
	0.9	1730	1100	726	0.82		0.9	1915	1145	872	0.98
	1.0	1690	1130	742	0.84		1.0	1880	1165	889	1.00
	1.1	1640	1150	753	0.85		1.1	1835	1185	900	1.02
	1.2	1590	1180	774	0.88		1.2	1790	1215	921	1.04
	1.3	1540	1205	791	0.89		1.3	1745	1240	940	1.06
	1.4	1500	1230	798	0.91		1.4	1695	1265	949	1.08
	1.5	1465	1255	819	0.93		1.5	1660	1290	974	1.11
	1.6	1425	1275	833	0.95		1.6	1620	1310	990	1.12
	1.7	1395	1300	839	0.97		1.7	1590	1330	997	1.14
1.8	1350	1335	861	0.99	1.8	1545	1365	1021	1.17		
T3	0.8	875	900	273	0.30	T3'	0.8	1545	1020	561	0.63
	0.9	805	935	284	0.31		0.9	1495	1055	579	0.65
	1.0	695	975	293	0.32		1.0	1445	1085	595	0.67
	1.1	795	995	300	0.33		1.1	1405	1105	604	0.68
	1.2	755	1040	311	0.34		1.2	1355	1140	624	0.71
	1.3	760	1070	317	0.35		1.3	1315	1170	638	0.72
	1.4	700	1090	326	0.36		1.4	1280	1190	645	0.74
	1.5	-	-	-	-		1.5	1230	1215	662	0.75
	1.6	-	-	-	-		1.6	1190	1240	673	0.77
	1.7	-	-	-	-		1.7	1150	1260	679	0.78
1.8	-	-	-	-	1.8	1110	1295	698	0.80		
T4	0.8	1895	1100	802	0.90	T4'	0.8	2005	1130	902	1.01
	0.9	1855	1130	822	0.93		0.9	1970	1160	923	1.04
	1.0	1820	1155	839	0.95		1.0	1935	1180	940	1.06
	1.1	1775	1175	850	0.96		1.1	1900	1195	951	1.07
	1.2	1725	1205	871	0.99		1.2	1855	1225	972	1.10
	1.3	1675	1230	889	1.01		1.3	1810	1250	991	1.12
	1.4	1635	1250	898	1.02		1.4	1760	1275	1002	1.14
	1.5	1595	1275	921	1.04		1.5	1720	1300	1028	1.16
	1.6	1560	1300	937	1.06		1.6	1680	1325	1045	1.19
	1.7	1525	1320	944	1.08		1.7	1650	1340	1052	1.20
1.8	1480	1355	967	1.11	1.8	1605	1375	1076	1.23		
T5	0.8	1235	965	411	0.46	T5'	0.8	1805	1080	730	0.82
	0.9	1180	995	425	0.47		0.9	1760	1110	750	0.85
	1.0	1105	1035	439	0.49		1.0	1725	1135	766	0.86
	1.1	1115	1055	447	0.50		1.1	1675	1155	777	0.88
	1.2	1070	1090	463	0.52		1.2	1625	1185	798	0.90
	1.3	1050	1120	473	0.53		1.3	1575	1215	815	0.93
	1.4	1005	1140	480	0.54		1.4	1535	1235	823	0.94
	1.5	925	1175	495	0.56		1.5	1500	1260	844	0.96
	1.6	885	1200	504	0.57		1.6	1460	1280	858	0.97
	1.7	835	1210	507	0.58		1.7	1430	1305	865	0.99
1.8	805	1235	522	0.59	1.8	1380	1340	887	1.02		

4 Ton GE - 115 - Downshot

SPEED TAP	EXTERNAL STATIC PRESSURE (ESP) IN W. C.	STANDARD CFM	RPM	WATTS	BHP	SPEED TAP	EXTERNAL STATIC PRESSURE (ESP) IN W. C.	STANDARD CFM	RPM	WATTS	BHP
T1	0.8	700	825	203	0.21	T1'	0.8	1490	950	484	0.54
	0.9	625	860	210	0.22		0.9	1435	985	500	0.56
	1.0	-	-	-	-		1.0	1375	1015	514	0.58
	1.1	-	-	-	-		1.1	1350	1035	523	0.59
	1.2	-	-	-	-		1.2	1305	1070	541	0.61
	1.3	-	-	-	-		1.3	1265	1095	553	0.63
	1.4	-	-	-	-		1.4	1225	1115	559	0.64
	1.5	-	-	-	-		1.5	1165	1140	575	0.65
	1.6	-	-	-	-		1.6	1130	1165	584	0.67
	1.7	-	-	-	-		1.7	1080	1185	589	0.68
T2	0.8	1825	1015	671	0.75	T2'	0.8	2010	1060	808	0.91
	0.9	1780	1045	690	0.78		0.9	1970	1090	828	0.93
	1.0	1740	1075	705	0.80		1.0	1935	1105	845	0.95
	1.1	1690	1095	715	0.81		1.1	1890	1125	855	0.96
	1.2	1640	1120	735	0.83		1.2	1845	1155	875	0.99
	1.3	1585	1145	751	0.85		1.3	1795	1180	893	1.01
	1.4	1545	1170	758	0.87		1.4	1745	1200	902	1.03
	1.5	1510	1190	778	0.88		1.5	1710	1225	925	1.05
	1.6	1470	1210	791	0.90		1.6	1670	1245	941	1.07
	1.7	1435	1235	797	0.92		1.7	1640	1265	947	1.08
T3	0.8	900	855	259	0.28	T3'	0.8	1590	970	533	0.60
	0.9	830	890	270	0.29		0.9	1540	1000	550	0.62
	1.0	715	925	278	0.30		1.0	1490	1030	565	0.64
	1.1	820	945	285	0.31		1.1	1445	1050	574	0.65
	1.2	780	990	295	0.33		1.2	1395	1085	593	0.67
	1.3	785	1015	301	0.33		1.3	1355	1110	606	0.69
	1.4	720	1035	310	0.34		1.4	1320	1130	613	0.70
	1.5	-	-	-	-		1.5	1265	1155	629	0.71
	1.6	-	-	-	-		1.6	1225	1180	639	0.73
	1.7	-	-	-	-		1.7	1185	1195	645	0.74
T4	0.8	1950	1045	762	0.86	T4'	0.8	2065	1075	857	0.96
	0.9	1910	1075	781	0.88		0.9	2030	1100	877	0.98
	1.0	1875	1095	797	0.90		1.0	1995	1120	893	1.00
	1.1	1830	1115	808	0.91		1.1	1955	1135	903	1.02
	1.2	1775	1145	827	0.94		1.2	1910	1165	923	1.04
	1.3	1725	1170	845	0.96		1.3	1865	1190	941	1.06
	1.4	1685	1190	853	0.97		1.4	1815	1210	952	1.08
	1.5	1645	1210	875	0.99		1.5	1770	1235	977	1.11
	1.6	1605	1235	890	1.01		1.6	1730	1260	993	1.13
	1.7	1570	1255	897	1.03		1.7	1700	1275	999	1.14
T5	0.8	1270	915	390	0.44	T5'	0.8	1860	1025	694	0.78
	0.9	1215	945	404	0.45		0.9	1815	1055	713	0.80
	1.0	1140	985	417	0.47		1.0	1775	1080	728	0.82
	1.1	1150	1000	425	0.48		1.1	1725	1095	738	0.83
	1.2	1100	1035	440	0.49		1.2	1675	1125	758	0.86
	1.3	1080	1065	449	0.51		1.3	1620	1155	774	0.88
	1.4	1035	1085	456	0.52		1.4	1580	1175	782	0.89
	1.5	955	1115	470	0.53		1.5	1545	1195	802	0.91
	1.6	910	1140	479	0.54		1.6	1505	1215	815	0.93
	1.7	860	1150	482	0.55		1.7	1475	1240	822	0.94
1.8	830	1175	496	0.56	1.8	1420	1275	843	0.97		

5 Ton GE - 90 - Downshot

SPEED TAP	EXTERNAL STATIC PRESSURE (ESP) IN W. C.	STANDARD CFM	RPM	WATTS	BHP	SPEED TAP	EXTERNAL STATIC PRESSURE (ESP) IN W. C.	STANDARD CFM	RPM	WATTS	BHP
T1	0.8	1095	940	359	0.28	T1'	0.8	1250	980	435	0.38
	0.9	1045	980	376	0.29		0.9	1200	1015	451	0.40
	1.0	985	1015	389	0.30		1.0	1145	1055	466	0.41
	1.1	925	1055	401	0.31		1.1	1095	1085	479	0.43
	1.2	880	1085	412	0.32		1.2	1050	1115	492	0.44
	1.3	825	1115	421	0.33		1.3	995	1145	503	0.45
	1.4	750	1165	496	0.35		1.4	925	1190	565	0.47
	1.5	670	1195	512	0.36		1.5	860	1220	581	0.48
	1.6	585	1235	464	0.37		1.6	775	1260	548	0.49
	1.7	535	1260	472	0.38		1.7	735	1280	558	0.50
	1.8	490	1290	481	0.39		1.8	690	1305	568	0.51
1.9	405	1315	483	0.39	1.9	605	1335	573	0.52		
2.0	360	1340	494	0.40	2.0	565	1365	584	0.54		
T2	0.8	1905	1160	918	0.97	T2'	0.8	2095	1210	1120	1.18
	0.9	1870	1185	936	0.99		0.9	2065	1235	1139	1.20
	1.0	1835	1210	956	1.01		1.0	2030	1260	1160	1.23
	1.1	1800	1235	975	1.03		1.1	2000	1285	1181	1.25
	1.2	1760	1265	995	1.05		1.2	1960	1310	1202	1.28
	1.3	1720	1290	1015	1.07		1.3	1925	1330	1223	1.30
	1.4	1675	1315	1038	1.09		1.4	1885	1355	1241	1.32
	1.5	1630	1335	1055	1.11		1.5	1845	1380	1260	1.34
	1.6	1585	1365	1068	1.14		1.6	1810	1400	1282	1.36
	1.7	1545	1390	1087	1.16		1.7	1765	1420	1302	1.38
	1.8	1505	1410	1105	1.17		1.8	1735	1445	1322	1.41
1.9	1445	1435	1118	1.19	1.9	1680	1470	1339	1.43		
2.0	1405	1460	1137	1.22	2.0	1635	1495	1359	1.46		
T3	0.8	1325	1000	476	0.44	T3'	0.8	1565	1065	632	0.64
	0.9	1275	1035	492	0.46		0.9	1525	1095	648	0.65
	1.0	1230	1070	507	0.47		1.0	1480	1125	665	0.67
	1.1	1175	1100	521	0.48		1.1	1435	1160	682	0.69
	1.2	1130	1130	536	0.50		1.2	1395	1185	699	0.71
	1.3	1085	1165	548	0.51		1.3	1350	1215	715	0.73
	1.4	1015	1205	604	0.53		1.4	1290	1245	755	0.74
	1.5	945	1230	620	0.54		1.5	1240	1275	771	0.76
	1.6	875	1270	594	0.56		1.6	1175	1305	763	0.78
	1.7	830	1290	604	0.57		1.7	1130	1325	778	0.79
	1.8	780	1320	616	0.58		1.8	1085	1355	792	0.81
1.9	705	1345	621	0.59	1.9	1020	1385	800	0.83		
2.0	660	1375	634	0.60	2.0	975	1405	815	0.84		
T4	0.8	2035	1195	1049	1.11	T4'	0.8	2445	1315	1593	1.65
	0.9	2000	1215	1068	1.13		0.9	2415	1335	1615	1.68
	1.0	1965	1240	1089	1.15		1.0	2390	1360	1637	1.71
	1.1	1930	1270	1109	1.18		1.1	2360	1380	1661	1.73
	1.2	1900	1295	1131	1.20		1.2	2330	1400	1683	1.76
	1.3	1860	1315	1152	1.22		1.3	2295	1420	1705	1.78
	1.4	1815	1340	1171	1.24		1.4	2255	1435	1723	1.80
	1.5	1775	1365	1188	1.27		1.5	2230	1460	1746	1.83
	1.6	1740	1390	1208	1.29		1.6	2195	1480	1774	1.86
	1.7	1700	1410	1228	1.31		1.7	2165	1500	1798	1.88
	1.8	1660	1435	1247	1.33		1.8	2125	1500	1822	1.88
1.9	1600	1460	1263	1.35	1.9	2085	1500	1844	1.88		
2.0	1565	1485	1282	1.38	2.0	2055	1500	1869	1.88		
T5	0.8	1445	1030	549	0.53	T5'	0.8	2445	1315	1593	1.65
	0.9	1405	1065	566	0.55		0.9	2415	1335	1615	1.68
	1.0	1355	1100	583	0.57		1.0	2390	1360	1637	1.71
	1.1	1310	1125	598	0.58		1.1	2360	1380	1661	1.73
	1.2	1260	1160	614	0.60		1.2	2330	1400	1683	1.76
	1.3	1220	1190	628	0.62		1.3	2295	1420	1705	1.78
	1.4	1155	1225	676	0.64		1.4	2255	1435	1723	1.80
	1.5	1090	1255	692	0.65		1.5	2230	1460	1746	1.83
	1.6	1030	1285	675	0.67		1.6	2195	1480	1774	1.86
	1.7	980	1310	687	0.68		1.7	2165	1500	1798	1.88
	1.8	935	1335	701	0.69		1.8	2125	1500	1822	1.88
1.9	865	1365	707	0.71	1.9	2085	1500	1844	1.88		
2.0	820	1390	720	0.72	2.0	2055	1500	1869	1.88		

5 Ton GE - 90 - Horizontal

SPEED TAP	EXTERNAL STATIC PRESSURE (ESP) IN W. C.	STANDARD CFM	RPM	WATTS	BHP	SPEED TAP	EXTERNAL STATIC PRESSURE (ESP) IN W. C.	STANDARD CFM	RPM	WATTS	BHP
T1	0.8	1130	895	341	0.27	T1'	0.8	1285	930	413	0.37
	0.9	1075	930	357	0.28		0.9	1235	965	428	0.38
	1.0	1015	965	370	0.29		1.0	1180	1000	443	0.39
	1.1	955	1000	381	0.30		1.1	1130	1030	455	0.40
	1.2	905	1030	391	0.31		1.2	1080	1060	467	0.42
	1.3	850	1060	400	0.32		1.3	1025	1090	478	0.43
	1.4	775	1105	471	0.33		1.4	955	1130	537	0.44
	1.5	690	1135	486	0.34		1.5	885	1160	552	0.46
	1.6	600	1175	441	0.35		1.6	800	1195	521	0.47
	1.7	550	1195	448	0.36		1.7	755	1215	530	0.48
	1.8	505	1225	457	0.37		1.8	710	1240	540	0.49
1.9	415	1250	459	0.37	1.9	625	1270	544	0.50		
2.0	370	1275	469	0.38	2.0	580	1295	555	0.51		
T2	0.8	1960	1100	872	0.92	T2'	0.8	2160	1150	1064	1.12
	0.9	1925	1125	889	0.94		0.9	2125	1175	1082	1.14
	1.0	1890	1150	908	0.96		1.0	2090	1195	1102	1.16
	1.1	1855	1175	926	0.98		1.1	2060	1220	1122	1.19
	1.2	1815	1200	945	1.00		1.2	2020	1245	1142	1.21
	1.3	1770	1225	964	1.02		1.3	1985	1265	1162	1.23
	1.4	1725	1250	986	1.04		1.4	1940	1285	1179	1.25
	1.5	1680	1270	1002	1.06		1.5	1900	1310	1197	1.28
	1.6	1635	1295	1015	1.08		1.6	1865	1330	1218	1.30
	1.7	1590	1320	1033	1.10		1.7	1820	1350	1237	1.31
	1.8	1550	1340	1050	1.12		1.8	1785	1375	1256	1.34
1.9	1490	1365	1062	1.14	1.9	1730	1395	1272	1.36		
2.0	1445	1385	1080	1.15	2.0	1685	1420	1291	1.38		
T3	0.8	1365	950	452	0.42	T3'	0.8	1610	1010	600	0.60
	0.9	1315	985	467	0.43		0.9	1570	1040	616	0.62
	1.0	1265	1015	482	0.45		1.0	1525	1070	632	0.64
	1.1	1210	1045	495	0.46		1.1	1480	1100	648	0.66
	1.2	1165	1075	509	0.47		1.2	1435	1125	664	0.67
	1.3	1115	1105	521	0.49		1.3	1390	1155	679	0.69
	1.4	1045	1145	574	0.50		1.4	1330	1185	717	0.71
	1.5	975	1170	589	0.51		1.5	1275	1210	732	0.72
	1.6	900	1205	564	0.53		1.6	1210	1240	725	0.74
	1.7	855	1225	574	0.54		1.7	1165	1260	739	0.75
	1.8	805	1255	585	0.55		1.8	1120	1285	752	0.77
1.9	725	1280	590	0.56	1.9	1050	1315	760	0.78		
2.0	680	1305	602	0.57	2.0	1005	1335	774	0.80		
T4	0.8	2095	1135	997	1.05	T4'	0.8	2520	1250	1513	1.57
	0.9	2060	1155	1015	1.07		0.9	2490	1270	1534	1.60
	1.0	2025	1180	1035	1.09		1.0	2460	1290	1555	1.62
	1.1	1990	1205	1054	1.12		1.1	2430	1310	1578	1.65
	1.2	1955	1230	1074	1.14		1.2	2400	1330	1599	1.67
	1.3	1915	1250	1094	1.16		1.3	2365	1350	1620	1.70
	1.4	1870	1275	1112	1.18		1.4	2325	1365	1637	1.72
	1.5	1830	1295	1129	1.20		1.5	2295	1385	1659	1.74
	1.6	1790	1320	1148	1.22		1.6	2260	1405	1685	1.77
	1.7	1750	1340	1167	1.24		1.7	2230	1425	1708	1.79
	1.8	1710	1365	1185	1.27		1.8	2190	1445	1731	1.82
1.9	1650	1385	1200	1.28	1.9	2150	1465	1752	1.84		
2.0	1610	1410	1218	1.31	2.0	2115	1485	1776	1.87		
T5	0.8	1490	980	522	0.51	T5'	0.8	2520	1250	1513	1.57
	0.9	1445	1010	538	0.52		0.9	2490	1270	1534	1.60
	1.0	1395	1045	554	0.54		1.0	2460	1290	1555	1.62
	1.1	1350	1070	568	0.55		1.1	2430	1310	1578	1.65
	1.2	1300	1100	583	0.57		1.2	2400	1330	1599	1.67
	1.3	1255	1130	597	0.59		1.3	2365	1350	1620	1.70
	1.4	1190	1165	642	0.60		1.4	2325	1365	1637	1.72
	1.5	1125	1190	657	0.62		1.5	2295	1385	1659	1.74
	1.6	1060	1220	641	0.63		1.6	2260	1405	1685	1.77
	1.7	1010	1245	653	0.65		1.7	2230	1425	1708	1.79
	1.8	965	1270	666	0.66		1.8	2190	1445	1731	1.82
1.9	890	1295	672	0.67	1.9	2150	1465	1752	1.84		
2.0	845	1320	684	0.68	2.0	2115	1485	1776	1.87		

5 Ton GE - 115 - Downshot

SPEED TAP	EXTERNAL STATIC PRESSURE (ESP) IN W. C.	STANDARD CFM	RPM	WATTS	BHP	SPEED TAP	EXTERNAL STATIC PRESSURE (ESP) IN W. C.	STANDARD CFM	RPM	WATTS	BHP
T1	0.8	1290	990	458	0.42	T1'	0.8	1400	1020	519	0.50
	0.9	1245	1025	475	0.43		0.9	1350	1055	536	0.51
	1.0	1195	1065	489	0.45		1.0	1305	1090	553	0.53
	1.1	1140	1095	503	0.46		1.1	1255	1115	566	0.54
	1.2	1095	1125	517	0.47		1.2	1215	1145	581	0.56
	1.3	1045	1160	529	0.49		1.3	1160	1180	595	0.57
	1.4	980	1200	588	0.50		1.4	1100	1215	646	0.59
	1.5	910	1225	603	0.51		1.5	1035	1240	662	0.60
	1.6	835	1265	574	0.53		1.6	965	1280	642	0.62
	1.7	785	1290	585	0.54		1.7	920	1305	654	0.64
	1.8	745	1315	596	0.55		1.8	880	1330	666	0.65
1.9	665	1340	600	0.56	1.9	800	1360	672	0.66		
2.0	615	1370	613	0.58	2.0	755	1385	685	0.67		
T2	0.8	1905	1160	918	0.97	T2'	0.8	2095	1210	1120	1.18
	0.9	1870	1185	936	0.99		0.9	2065	1235	1139	1.20
	1.0	1835	1210	956	1.01		1.0	2030	1260	1160	1.23
	1.1	1800	1235	975	1.03		1.1	2000	1285	1181	1.25
	1.2	1760	1265	995	1.05		1.2	1960	1310	1202	1.28
	1.3	1720	1290	1015	1.07		1.3	1925	1330	1223	1.30
	1.4	1675	1315	1038	1.09		1.4	1885	1355	1241	1.32
	1.5	1630	1335	1055	1.11		1.5	1845	1380	1260	1.34
	1.6	1585	1365	1068	1.14		1.6	1810	1400	1282	1.36
	1.7	1545	1390	1087	1.16		1.7	1765	1420	1302	1.38
	1.8	1505	1410	1105	1.17		1.8	1735	1445	1322	1.41
1.9	1445	1435	1118	1.19	1.9	1680	1470	1339	1.43		
2.0	1405	1460	1137	1.22	2.0	1635	1495	1359	1.46		
T3	0.8	1510	1045	593	0.59	T3'	0.8	1730	1105	757	0.78
	0.9	1465	1080	609	0.61		0.9	1690	1135	775	0.80
	1.0	1420	1115	626	0.62		1.0	1650	1170	793	0.83
	1.1	1380	1140	642	0.64		1.1	1610	1195	811	0.84
	1.2	1335	1175	659	0.66		1.2	1570	1220	829	0.86
	1.3	1285	1200	674	0.67		1.3	1525	1245	847	0.88
	1.4	1230	1235	717	0.69		1.4	1475	1280	878	0.90
	1.5	1170	1265	733	0.71		1.5	1425	1305	895	0.92
	1.6	1105	1295	721	0.73		1.6	1375	1330	898	0.94
	1.7	1065	1320	735	0.74		1.7	1330	1360	915	0.96
	1.8	1020	1345	748	0.75		1.8	1290	1380	931	0.98
1.9	945	1375	756	0.77	1.9	1225	1405	941	0.99		
2.0	905	1400	771	0.78	2.0	1180	1430	957	1.01		
T4	0.8	2035	1195	1049	1.11	T4'	0.8	2445	1315	1593	1.65
	0.9	2000	1215	1068	1.13		0.9	2415	1335	1615	1.68
	1.0	1965	1240	1089	1.15		1.0	2390	1360	1637	1.71
	1.1	1930	1270	1109	1.18		1.1	2360	1380	1661	1.73
	1.2	1900	1295	1131	1.20		1.2	2330	1400	1683	1.76
	1.3	1860	1315	1152	1.22		1.3	2295	1420	1705	1.78
	1.4	1815	1340	1171	1.24		1.4	2255	1435	1723	1.80
	1.5	1775	1365	1188	1.27		1.5	2230	1460	1746	1.83
	1.6	1740	1390	1208	1.29		1.6	2195	1480	1774	1.86
	1.7	1700	1410	1228	1.31		1.7	2165	1500	1798	1.88
	1.8	1660	1435	1247	1.33		1.8	2125	1500	1822	1.88
1.9	1600	1460	1263	1.35	1.9	2085	1500	1844	1.88		
2.0	1565	1485	1282	1.38	2.0	2055	1500	1869	1.88		
T5	0.8	1610	1075	665	0.68	T5'	0.8	2445	1315	1593	1.65
	0.9	1575	1105	683	0.69		0.9	2415	1335	1615	1.68
	1.0	1530	1135	701	0.71		1.0	2390	1360	1637	1.71
	1.1	1490	1170	718	0.74		1.1	2360	1380	1661	1.73
	1.2	1445	1195	735	0.75		1.2	2330	1400	1683	1.76
	1.3	1400	1225	752	0.77		1.3	2295	1420	1705	1.78
	1.4	1345	1260	788	0.79		1.4	2255	1435	1723	1.80
	1.5	1290	1285	804	0.81		1.5	2230	1460	1746	1.83
	1.6	1235	1310	800	0.82		1.6	2195	1480	1774	1.86
	1.7	1190	1335	816	0.84		1.7	2165	1500	1798	1.88
	1.8	1150	1365	831	0.86		1.8	2125	1500	1822	1.88
1.9	1080	1390	839	0.87	1.9	2085	1500	1844	1.88		
2.0	1035	1415	854	0.89	2.0	2055	1500	1869	1.88		

5 Ton GE - 115 - Horizontal

SPEED TAP	EXTERNAL STATIC PRESSURE (ESP) IN W. C.	STANDARD CFM	RPM	WATTS	BHP	SPEED TAP	EXTERNAL STATIC PRESSURE (ESP) IN W. C.	STANDARD CFM	RPM	WATTS	BHP
T1	0.8	1330	940	435	0.39	T1'	0.8	1440	970	493	0.47
	0.9	1280	975	451	0.41		0.9	1390	1000	509	0.49
	1.0	1230	1010	465	0.42		1.0	1345	1035	525	0.50
	1.1	1175	1040	478	0.44		1.1	1295	1060	538	0.52
	1.2	1130	1070	491	0.45		1.2	1250	1090	552	0.53
	1.3	1075	1100	503	0.46		1.3	1195	1120	565	0.55
	1.4	1010	1140	559	0.48		1.4	1135	1155	614	0.56
	1.5	935	1165	573	0.49		1.5	1065	1180	629	0.57
	1.6	860	1200	545	0.50		1.6	995	1215	610	0.59
	1.7	810	1225	556	0.51		1.7	950	1240	621	0.60
	1.8	765	1250	566	0.53		1.8	905	1265	633	0.62
1.9	685	1275	570	0.54	1.9	825	1290	638	0.63		
2.0	635	1300	582	0.55	2.0	780	1315	651	0.64		
T2	0.8	1960	1100	872	0.92	T2'	0.8	2160	1150	1064	1.12
	0.9	1925	1125	889	0.94		0.9	2125	1175	1082	1.14
	1.0	1890	1150	908	0.96		1.0	2090	1195	1102	1.16
	1.1	1855	1175	926	0.98		1.1	2060	1220	1122	1.19
	1.2	1815	1200	945	1.00		1.2	2020	1245	1142	1.21
	1.3	1770	1225	964	1.02		1.3	1985	1265	1162	1.23
	1.4	1725	1250	986	1.04		1.4	1940	1285	1179	1.25
	1.5	1680	1270	1002	1.06		1.5	1900	1310	1197	1.28
	1.6	1635	1295	1015	1.08		1.6	1865	1330	1218	1.30
	1.7	1590	1320	1033	1.10		1.7	1820	1350	1237	1.31
	1.8	1550	1340	1050	1.12		1.8	1785	1375	1256	1.34
1.9	1490	1365	1062	1.14	1.9	1730	1395	1272	1.36		
2.0	1445	1385	1080	1.15	2.0	1685	1420	1291	1.38		
T3	0.8	1555	995	563	0.56	T3'	0.8	1780	1050	719	0.74
	0.9	1510	1025	579	0.57		0.9	1740	1080	736	0.76
	1.0	1465	1060	595	0.59		1.0	1700	1110	753	0.78
	1.1	1420	1085	610	0.61		1.1	1660	1135	770	0.80
	1.2	1375	1115	626	0.62		1.2	1615	1160	788	0.82
	1.3	1325	1140	640	0.64		1.3	1570	1185	805	0.84
	1.4	1265	1175	681	0.66		1.4	1520	1215	834	0.86
	1.5	1205	1200	696	0.67		1.5	1470	1240	850	0.88
	1.6	1140	1230	685	0.69		1.6	1415	1265	853	0.89
	1.7	1095	1255	698	0.70		1.7	1370	1290	869	0.91
	1.8	1050	1280	711	0.72		1.8	1330	1310	884	0.93
1.9	975	1305	718	0.73	1.9	1260	1335	894	0.94		
2.0	930	1330	732	0.75	2.0	1215	1360	909	0.96		
T4	0.8	2095	1135	997	1.05	T4'	0.8	2520	1250	1513	1.57
	0.9	2060	1155	1015	1.07		0.9	2490	1270	1534	1.60
	1.0	2025	1180	1035	1.09		1.0	2460	1290	1555	1.62
	1.1	1990	1205	1054	1.12		1.1	2430	1310	1578	1.65
	1.2	1955	1230	1074	1.14		1.2	2400	1330	1599	1.67
	1.3	1915	1250	1094	1.16		1.3	2365	1350	1620	1.70
	1.4	1870	1275	1112	1.18		1.4	2325	1365	1637	1.72
	1.5	1830	1295	1129	1.20		1.5	2295	1385	1659	1.74
	1.6	1790	1320	1148	1.22		1.6	2260	1405	1685	1.77
	1.7	1750	1340	1167	1.24		1.7	2230	1425	1708	1.79
	1.8	1710	1365	1185	1.27		1.8	2190	1445	1731	1.82
1.9	1650	1385	1200	1.28	1.9	2150	1465	1752	1.84		
2.0	1610	1410	1218	1.31	2.0	2115	1485	1776	1.87		
T5	0.8	1660	1020	632	0.64	T5'	0.8	2520	1250	1513	1.57
	0.9	1620	1050	649	0.66		0.9	2490	1270	1534	1.60
	1.0	1575	1080	666	0.68		1.0	2460	1290	1555	1.62
	1.1	1535	1110	682	0.70		1.1	2430	1310	1578	1.65
	1.2	1490	1135	698	0.71		1.2	2400	1330	1599	1.67
	1.3	1440	1165	714	0.73		1.3	2365	1350	1620	1.70
	1.4	1385	1195	749	0.75		1.4	2325	1365	1637	1.72
	1.5	1330	1220	764	0.77		1.5	2295	1385	1659	1.74
	1.6	1270	1245	760	0.78		1.6	2260	1405	1685	1.77
	1.7	1225	1270	775	0.80		1.7	2230	1425	1708	1.79
	1.8	1185	1295	789	0.81		1.8	2190	1445	1731	1.82
1.9	1110	1320	797	0.83	1.9	2150	1465	1752	1.84		
2.0	1065	1345	811	0.85	2.0	2115	1485	1776	1.87		

5 Ton GE - 140 - Downshot

SPEED TAP	EXTERNAL STATIC PRESSURE (ESP) IN W. C.	STANDARD CFM	RPM	WATTS	BHP	SPEED TAP	EXTERNAL STATIC PRESSURE (ESP) IN W. C.	STANDARD CFM	RPM	WATTS	BHP
T1	0.8	1510	1045	593	0.59	T1'	0.8	1730	1105	757	0.78
	0.9	1465	1080	609	0.61		0.9	1690	1135	775	0.80
	1.0	1420	1115	626	0.62		1.0	1650	1170	793	0.83
	1.1	1380	1140	642	0.64		1.1	1610	1195	811	0.84
	1.2	1335	1175	659	0.66		1.2	1570	1220	829	0.86
	1.3	1285	1200	674	0.67		1.3	1525	1245	847	0.88
	1.4	1230	1235	717	0.69		1.4	1475	1280	878	0.90
	1.5	1170	1265	733	0.71		1.5	1425	1305	895	0.92
	1.6	1105	1295	721	0.73		1.6	1375	1330	898	0.94
	1.7	1065	1320	735	0.74		1.7	1330	1360	915	0.96
	1.8	1020	1345	748	0.75		1.8	1290	1380	931	0.98
	1.9	945	1375	756	0.77		1.9	1225	1405	941	0.99
2.0	905	1400	771	0.78	2.0	1180	1430	957	1.01		
T2	0.8	1905	1160	918	0.97	T2'	0.8	2095	1210	1120	1.18
	0.9	1870	1185	936	0.99		0.9	2065	1235	1139	1.20
	1.0	1835	1210	956	1.01		1.0	2030	1260	1160	1.23
	1.1	1800	1235	975	1.03		1.1	2000	1285	1181	1.25
	1.2	1760	1265	995	1.05		1.2	1960	1310	1202	1.28
	1.3	1720	1290	1015	1.07		1.3	1925	1330	1223	1.30
	1.4	1675	1315	1038	1.09		1.4	1885	1355	1241	1.32
	1.5	1630	1335	1055	1.11		1.5	1845	1380	1260	1.34
	1.6	1585	1365	1068	1.14		1.6	1810	1400	1282	1.36
	1.7	1545	1390	1087	1.16		1.7	1765	1420	1302	1.38
	1.8	1505	1410	1105	1.17		1.8	1735	1445	1322	1.41
	1.9	1445	1435	1118	1.19		1.9	1680	1470	1339	1.43
2.0	1405	1460	1137	1.22	2.0	1635	1495	1359	1.46		
T3	0.8	1945	1170	961	1.01	T3'	0.8	2145	1225	1180	1.24
	0.9	1915	1195	979	1.03		0.9	2115	1245	1200	1.26
	1.0	1880	1220	999	1.05		1.0	2085	1275	1220	1.29
	1.1	1845	1245	1019	1.08		1.1	2055	1300	1242	1.32
	1.2	1805	1275	1039	1.10		1.2	2020	1320	1264	1.34
	1.3	1765	1300	1059	1.12		1.3	1980	1340	1285	1.36
	1.4	1725	1320	1081	1.14		1.4	1935	1365	1302	1.38
	1.5	1680	1345	1098	1.16		1.5	1905	1390	1321	1.41
	1.6	1635	1375	1115	1.19		1.6	1870	1410	1345	1.43
	1.7	1595	1395	1134	1.21		1.7	1830	1430	1366	1.45
	1.8	1560	1420	1152	1.23		1.8	1790	1460	1386	1.48
	1.9	1500	1440	1165	1.24		1.9	1740	1480	1404	1.50
2.0	1455	1470	1184	1.27	2.0	1700	1500	1425	1.52		
T4	0.8	2035	1195	1049	1.11	T4'	0.8	2445	1315	1593	1.65
	0.9	2000	1215	1068	1.13		0.9	2415	1335	1615	1.68
	1.0	1965	1240	1089	1.15		1.0	2390	1360	1637	1.71
	1.1	1930	1270	1109	1.18		1.1	2360	1380	1661	1.73
	1.2	1900	1295	1131	1.20		1.2	2330	1400	1683	1.76
	1.3	1860	1315	1152	1.22		1.3	2295	1420	1705	1.78
	1.4	1815	1340	1171	1.24		1.4	2255	1435	1723	1.80
	1.5	1775	1365	1188	1.27		1.5	2230	1460	1746	1.83
	1.6	1740	1390	1208	1.29		1.6	2195	1480	1774	1.86
	1.7	1700	1410	1228	1.31		1.7	2165	1500	1798	1.88
	1.8	1660	1435	1247	1.33		1.8	2125	1500	1822	1.88
	1.9	1600	1460	1263	1.35		1.9	2085	1500	1844	1.88
2.0	1565	1485	1282	1.38	2.0	2055	1500	1869	1.88		
T5	0.8	2065	1200	1084	1.14	T5'	0.8	2445	1315	1593	1.65
	0.9	2035	1225	1103	1.16		0.9	2415	1335	1615	1.68
	1.0	2000	1255	1124	1.19		1.0	2390	1360	1637	1.71
	1.1	1965	1280	1145	1.22		1.1	2360	1380	1661	1.73
	1.2	1930	1300	1166	1.24		1.2	2330	1400	1683	1.76
	1.3	1895	1325	1187	1.26		1.3	2295	1420	1705	1.78
	1.4	1850	1345	1205	1.28		1.4	2255	1435	1723	1.80
	1.5	1810	1375	1224	1.31		1.5	2230	1460	1746	1.83
	1.6	1770	1395	1245	1.33		1.6	2195	1480	1774	1.86
	1.7	1735	1415	1265	1.34		1.7	2165	1500	1798	1.88
	1.8	1695	1440	1285	1.37		1.8	2125	1500	1822	1.88
	1.9	1640	1465	1300	1.39		1.9	2085	1500	1844	1.88
2.0	1600	1490	1321	1.42	2.0	2055	1500	1869	1.88		

5 Ton GE - 140 - Horizontal

SPEED TAP	EXTERNAL STATIC PRESSURE (ESP) IN W. C.	STANDARD CFM	RPM	WATTS	BHP	SPEED TAP	EXTERNAL STATIC PRESSURE (ESP) IN W. C.	STANDARD CFM	RPM	WATTS	BHP
T1	0.8	1555	995	563	0.56	T1'	0.8	1780	1050	719	0.74
	0.9	1510	1025	579	0.57		0.9	1740	1080	736	0.76
	1.0	1465	1060	595	0.59		1.0	1700	1110	753	0.78
	1.1	1420	1085	610	0.61		1.1	1660	1135	770	0.80
	1.2	1375	1115	626	0.62		1.2	1615	1160	788	0.82
	1.3	1325	1140	640	0.64		1.3	1570	1185	805	0.84
	1.4	1265	1175	681	0.66		1.4	1520	1215	834	0.86
	1.5	1205	1200	696	0.67		1.5	1470	1240	850	0.88
	1.6	1140	1230	685	0.69		1.6	1415	1265	853	0.89
	1.7	1095	1255	698	0.70		1.7	1370	1290	869	0.91
	1.8	1050	1280	711	0.72		1.8	1330	1310	884	0.93
1.9	975	1305	718	0.73	1.9	1260	1335	894	0.94		
2.0	930	1330	732	0.75	2.0	1215	1360	909	0.96		
T2	0.8	1960	1100	872	0.92	T2'	0.8	2160	1150	1064	1.12
	0.9	1925	1125	889	0.94		0.9	2125	1175	1082	1.14
	1.0	1890	1150	908	0.96		1.0	2090	1195	1102	1.16
	1.1	1855	1175	926	0.98		1.1	2060	1220	1122	1.19
	1.2	1815	1200	945	1.00		1.2	2020	1245	1142	1.21
	1.3	1770	1225	964	1.02		1.3	1985	1265	1162	1.23
	1.4	1725	1250	986	1.04		1.4	1940	1285	1179	1.25
	1.5	1680	1270	1002	1.06		1.5	1900	1310	1197	1.28
	1.6	1635	1295	1015	1.08		1.6	1865	1330	1218	1.30
	1.7	1590	1320	1033	1.10		1.7	1820	1350	1237	1.31
	1.8	1550	1340	1050	1.12		1.8	1785	1375	1256	1.34
1.9	1490	1365	1062	1.14	1.9	1730	1395	1272	1.36		
2.0	1445	1385	1080	1.15	2.0	1685	1420	1291	1.38		
T3	0.8	2005	1110	913	0.96	T3'	0.8	2210	1165	1121	1.18
	0.9	1970	1135	930	0.98		0.9	2180	1185	1140	1.20
	1.0	1935	1160	949	1.00		1.0	2145	1210	1159	1.23
	1.1	1900	1185	968	1.02		1.1	2115	1235	1180	1.25
	1.2	1860	1210	987	1.05		1.2	2080	1255	1201	1.27
	1.3	1820	1235	1006	1.07		1.3	2040	1275	1221	1.29
	1.4	1775	1255	1027	1.08		1.4	1995	1295	1237	1.31
	1.5	1730	1280	1043	1.11		1.5	1960	1320	1255	1.34
	1.6	1685	1305	1059	1.13		1.6	1925	1340	1278	1.36
	1.7	1645	1325	1077	1.14		1.7	1885	1360	1298	1.38
	1.8	1605	1350	1094	1.17		1.8	1845	1385	1317	1.40
1.9	1545	1370	1107	1.18	1.9	1790	1405	1334	1.42		
2.0	1500	1395	1125	1.21	2.0	1750	1425	1354	1.44		
T4	0.8	2095	1135	997	1.05	T4'	0.8	2520	1250	1513	1.57
	0.9	2060	1155	1015	1.07		0.9	2490	1270	1534	1.60
	1.0	2025	1180	1035	1.09		1.0	2460	1290	1555	1.62
	1.1	1990	1205	1054	1.12		1.1	2430	1310	1578	1.65
	1.2	1955	1230	1074	1.14		1.2	2400	1330	1599	1.67
	1.3	1915	1250	1094	1.16		1.3	2365	1350	1620	1.70
	1.4	1870	1275	1112	1.18		1.4	2325	1365	1637	1.72
	1.5	1830	1295	1129	1.20		1.5	2295	1385	1659	1.74
	1.6	1790	1320	1148	1.22		1.6	2260	1405	1685	1.77
	1.7	1750	1340	1167	1.24		1.7	2230	1425	1708	1.79
	1.8	1710	1365	1185	1.27		1.8	2190	1445	1731	1.82
1.9	1650	1385	1200	1.28	1.9	2150	1465	1752	1.84		
2.0	1610	1410	1218	1.31	2.0	2115	1485	1776	1.87		
T5	0.8	2125	1140	1030	1.08	T5'	0.8	2520	1250	1513	1.57
	0.9	2095	1165	1048	1.11		0.9	2490	1270	1534	1.60
	1.0	2060	1190	1068	1.13		1.0	2460	1290	1555	1.62
	1.1	2025	1215	1088	1.15		1.1	2430	1310	1578	1.65
	1.2	1990	1235	1108	1.17		1.2	2400	1330	1599	1.67
	1.3	1950	1260	1128	1.20		1.3	2365	1350	1620	1.70
	1.4	1905	1280	1145	1.22		1.4	2325	1365	1637	1.72
	1.5	1865	1305	1163	1.24		1.5	2295	1385	1659	1.74
	1.6	1825	1325	1183	1.26		1.6	2260	1405	1685	1.77
	1.7	1785	1345	1202	1.28		1.7	2230	1425	1708	1.79
	1.8	1745	1370	1221	1.30		1.8	2190	1445	1731	1.82
1.9	1690	1390	1235	1.32	1.9	2150	1465	1752	1.84		
2.0	1650	1415	1255	1.34	2.0	2115	1485	1776	1.87		

6 Ton GE - 90 - Downshot

SPEED TAP	EXTERNAL STATIC PRESSURE (ESP) IN W. C.	STANDARD CFM	RPM	WATTS	BHP	SPEED TAP	EXTERNAL STATIC PRESSURE (ESP) IN W. C.	STANDARD CFM	RPM	WATTS	BHP
T1	0.6	1375	890	419	0.37	T1'	0.6	1630	960	561	0.55
	0.7	1330	915	427	0.38		0.7	1590	985	575	0.56
	0.8	1290	945	439	0.40		0.8	1550	1015	589	0.58
	0.9	1230	975	451	0.41		0.9	1500	1045	602	0.60
	1.0	1185	1010	465	0.42		1.0	1460	1070	617	0.61
	1.1	1135	1040	479	0.44		1.1	1420	1100	631	0.63
	1.2	1080	1075	496	0.45		1.2	1370	1125	647	0.65
	1.3	1025	1110	511	0.47		1.3	1320	1155	662	0.66
	1.4	975	1140	522	0.48		1.4	1270	1185	676	0.68
	1.5	965	1170	588	0.49		1.5	1250	1210	720	0.69
	1.6	910	1200	596	0.50		1.6	1200	1240	733	0.71
	1.7	850	1225	610	0.51		1.7	1145	1260	747	0.72
1.8	765	1255	568	0.53	1.8	1075	1285	733	0.74		
T2	0.6	1940	1050	780	0.81	T2'	0.6	2100	1095	921	0.96
	0.7	1895	1075	800	0.83		0.7	2060	1120	943	0.99
	0.8	1855	1100	816	0.85		0.8	2020	1145	960	1.01
	0.9	1820	1125	832	0.87		0.9	1985	1165	977	1.02
	1.0	1785	1145	847	0.88		1.0	1950	1185	994	1.04
	1.1	1750	1170	862	0.90		1.1	1920	1210	1010	1.06
	1.2	1705	1195	878	0.92		1.2	1880	1230	1026	1.08
	1.3	1665	1220	894	0.94		1.3	1840	1255	1043	1.10
	1.4	1620	1240	911	0.95		1.4	1800	1275	1061	1.12
	1.5	1585	1265	935	0.97		1.5	1760	1295	1078	1.14
	1.6	1540	1290	953	0.99		1.6	1720	1320	1097	1.16
	1.7	1495	1310	968	1.01		1.7	1675	1340	1114	1.18
1.8	1440	1330	980	1.02	1.8	1630	1360	1136	1.20		
T3	0.6	1675	975	589	0.59	T3'	0.6	1875	1030	729	0.75
	0.7	1635	1000	604	0.60		0.7	1830	1055	747	0.77
	0.8	1595	1025	619	0.62		0.8	1790	1080	763	0.78
	0.9	1545	1055	632	0.63		0.9	1750	1105	778	0.80
	1.0	1505	1080	646	0.65		1.0	1715	1130	793	0.82
	1.1	1465	1110	661	0.67		1.1	1680	1155	808	0.84
	1.2	1420	1135	677	0.68		1.2	1635	1180	824	0.86
	1.3	1370	1165	692	0.70		1.3	1590	1205	839	0.88
	1.4	1325	1190	706	0.72		1.4	1545	1230	856	0.89
	1.5	1295	1220	747	0.73		1.5	1515	1255	883	0.91
	1.6	1250	1245	761	0.75		1.6	1470	1275	900	0.93
	1.7	1195	1265	775	0.76		1.7	1420	1300	915	0.94
1.8	1130	1290	765	0.78	1.8	1365	1320	923	0.96		
T4	0.6	2690	1260	1639	1.68	T4'	0.6	2775	1290	1785	1.82
	0.7	2650	1285	1665	1.72		0.7	2740	1310	1811	1.85
	0.8	2615	1305	1689	1.74		0.8	2700	1330	1836	1.88
	0.9	2580	1325	1712	1.77		0.9	2665	1350	1861	1.91
	1.0	2545	1345	1738	1.80		1.0	2630	1370	1888	1.94
	1.1	2510	1365	1760	1.82		1.1	2595	1390	1912	1.97
	1.2	2475	1385	1783	1.85		1.2	2560	1410	1936	1.99
	1.3	2450	1400	1804	1.87		1.3	2535	1425	1959	2.01
	1.4	2415	1415	1826	1.89		1.4	2500	1440	1981	2.04
	1.5	2380	1435	1841	1.92		1.5	2470	1460	2001	2.06
	1.6	2345	1455	1863	1.94		1.6	2435	1480	2022	2.09
	1.7	2315	1475	1882	1.97		1.7	2405	1500	2042	2.12
1.8	2280	1495	1912	2.00	1.8	2370	1500	2064	2.12		
T5	0.6	1795	1005	670	0.68	T5'	0.6	2010	1070	839	0.87
	0.7	1750	1035	687	0.70		0.7	1965	1095	859	0.89
	0.8	1710	1060	702	0.72		0.8	1930	1120	877	0.91
	0.9	1670	1085	717	0.73		0.9	1890	1140	893	0.93
	1.0	1630	1110	732	0.75		1.0	1855	1165	909	0.95
	1.1	1595	1135	746	0.77		1.1	1825	1185	924	0.97
	1.2	1550	1160	762	0.78		1.2	1780	1210	940	0.99
	1.3	1505	1190	777	0.80		1.3	1740	1235	956	1.01
	1.4	1455	1215	793	0.82		1.4	1695	1255	974	1.03
	1.5	1425	1240	825	0.84		1.5	1660	1280	994	1.05
	1.6	1380	1265	841	0.85		1.6	1620	1300	1013	1.06
	1.7	1330	1285	856	0.87		1.7	1575	1320	1029	1.08
1.8	1270	1310	857	0.88	1.8	1525	1345	1046	1.10		

6 Ton GE - 90 - Horizontal

SPEED TAP	EXTERNAL STATIC PRESSURE (ESP) IN W. C.	STANDARD CFM	RPM	WATTS	BHP	SPEED TAP	EXTERNAL STATIC PRESSURE (ESP) IN W. C.	STANDARD CFM	RPM	WATTS	BHP
T1	0.6	1415	855	404	0.36	T1'	0.6	1680	920	541	0.53
	0.7	1370	880	412	0.37		0.7	1640	945	555	0.54
	0.8	1330	905	424	0.38		0.8	1595	975	568	0.56
	0.9	1265	935	435	0.39		0.9	1545	1005	581	0.58
	1.0	1220	970	449	0.41		1.0	1505	1025	595	0.59
	1.1	1170	1000	462	0.42		1.1	1465	1055	609	0.60
	1.2	1110	1030	479	0.43		1.2	1410	1080	624	0.62
	1.3	1055	1065	493	0.45		1.3	1360	1110	639	0.64
	1.4	1005	1095	504	0.46		1.4	1310	1140	652	0.65
	1.5	995	1125	567	0.47		1.5	1290	1160	695	0.67
1.6	935	1150	575	0.48	1.6	1235	1190	707	0.68		
1.7	875	1175	589	0.49	1.7	1180	1210	721	0.69		
1.8	790	1205	548	0.51	1.8	1105	1235	707	0.71		
T2	0.6	2000	1010	753	0.78	T2'	0.6	2165	1050	889	0.92
	0.7	1950	1030	772	0.79		0.7	2120	1075	910	0.95
	0.8	1910	1055	787	0.81		0.8	2080	1100	926	0.97
	0.9	1875	1080	803	0.83		0.9	2045	1120	943	0.99
	1.0	1840	1100	817	0.85		1.0	2010	1140	959	1.00
	1.1	1805	1125	832	0.87		1.1	1980	1160	975	1.02
	1.2	1755	1145	847	0.88		1.2	1935	1180	990	1.04
	1.3	1715	1170	863	0.90		1.3	1895	1205	1006	1.06
	1.4	1670	1190	879	0.92		1.4	1855	1225	1024	1.08
	1.5	1635	1215	902	0.94		1.5	1815	1245	1040	1.10
1.6	1585	1240	920	0.95	1.6	1770	1265	1059	1.11		
1.7	1540	1260	934	0.97	1.7	1725	1285	1075	1.13		
1.8	1485	1275	946	0.98	1.8	1680	1305	1096	1.15		
T3	0.6	1725	935	568	0.56	T3'	0.6	1930	990	703	0.72
	0.7	1685	960	583	0.58		0.7	1885	1015	721	0.74
	0.8	1645	985	597	0.59		0.8	1845	1035	736	0.75
	0.9	1590	1015	610	0.61		0.9	1805	1060	751	0.77
	1.0	1550	1035	623	0.62		1.0	1765	1085	765	0.79
	1.1	1510	1065	638	0.64		1.1	1730	1110	780	0.81
	1.2	1465	1090	653	0.65		1.2	1685	1135	795	0.82
	1.3	1410	1120	668	0.67		1.3	1640	1155	810	0.84
	1.4	1365	1140	681	0.68		1.4	1590	1180	826	0.86
	1.5	1335	1170	721	0.70		1.5	1560	1205	852	0.88
1.6	1290	1195	734	0.72	1.6	1515	1225	869	0.89		
1.7	1230	1215	748	0.73	1.7	1465	1250	883	0.91		
1.8	1165	1240	738	0.75	1.8	1405	1265	891	0.92		
T4	0.6	2770	1210	1582	1.62	T4'	0.6	2860	1240	1723	1.75
	0.7	2730	1235	1607	1.65		0.7	2820	1260	1748	1.78
	0.8	2695	1255	1630	1.68		0.8	2780	1275	1772	1.80
	0.9	2655	1270	1652	1.70		0.9	2745	1295	1796	1.83
	1.0	2620	1290	1677	1.72		1.0	2710	1315	1822	1.86
	1.1	2585	1310	1698	1.75		1.1	2675	1335	1845	1.89
	1.2	2550	1330	1721	1.78		1.2	2635	1355	1868	1.92
	1.3	2525	1345	1741	1.80		1.3	2610	1370	1890	1.94
	1.4	2485	1360	1762	1.82		1.4	2575	1380	1912	1.95
	1.5	2450	1380	1777	1.84		1.5	2545	1400	1931	1.98
1.6	2415	1395	1798	1.86	1.6	2510	1420	1951	2.01		
1.7	2385	1415	1816	1.89	1.7	2475	1440	1971	2.04		
1.8	2350	1435	1845	1.92	1.8	2440	1440	1992	2.04		
T5	0.6	1850	965	647	0.65	T5'	0.6	2070	1025	810	0.84
	0.7	1805	995	663	0.67		0.7	2025	1050	829	0.86
	0.8	1760	1020	677	0.69		0.8	1990	1075	846	0.88
	0.9	1720	1040	692	0.70		0.9	1945	1095	862	0.89
	1.0	1680	1065	706	0.72		1.0	1910	1120	877	0.91
	1.1	1645	1090	720	0.74		1.1	1880	1140	892	0.93
	1.2	1595	1115	735	0.75		1.2	1835	1160	907	0.95
	1.3	1550	1140	750	0.77		1.3	1790	1185	923	0.97
	1.4	1500	1165	765	0.79		1.4	1745	1205	940	0.98
	1.5	1470	1190	796	0.80		1.5	1710	1230	959	1.00
1.6	1420	1215	812	0.82	1.6	1670	1250	978	1.02		
1.7	1370	1235	826	0.83	1.7	1620	1265	993	1.03		
1.8	1310	1260	827	0.85	1.8	1570	1290	1009	1.05		

6 Ton GE - 115 - Downshot

SPEED TAP	EXTERNAL STATIC PRESSURE (ESP) IN W. C.	STANDARD CFM	RPM	WATTS	BHP	SPEED TAP	EXTERNAL STATIC PRESSURE (ESP) IN W. C.	STANDARD CFM	RPM	WATTS	BHP
T1	0.6	1610	955	549	0.54	T1'	0.6	1845	1020	706	0.72
	0.7	1570	980	563	0.55		0.7	1800	1045	724	0.74
	0.8	1530	1010	577	0.57		0.8	1760	1075	739	0.76
	0.9	1480	1040	590	0.58		0.9	1720	1100	754	0.78
	1.0	1440	1065	604	0.60		1.0	1685	1120	769	0.79
	1.1	1395	1095	618	0.61		1.1	1645	1145	784	0.81
	1.2	1345	1125	634	0.63		1.2	1600	1175	800	0.83
	1.3	1295	1150	649	0.65		1.3	1560	1200	815	0.85
	1.4	1250	1180	663	0.66		1.4	1510	1225	831	0.87
	1.5	1225	1210	709	0.68		1.5	1480	1250	861	0.88
1.6	1175	1235	722	0.69	1.6	1435	1270	877	0.90		
1.7	1125	1260	736	0.71	1.7	1385	1295	892	0.92		
1.8	1055	1285	720	0.72	1.8	1330	1315	897	0.93		
T2	0.6	1940	1050	780	0.81	T2'	0.6	2100	1095	921	0.96
	0.7	1895	1075	800	0.83		0.7	2060	1120	943	0.99
	0.8	1855	1100	816	0.85		0.8	2020	1145	960	1.01
	0.9	1820	1125	832	0.87		0.9	1985	1165	977	1.02
	1.0	1785	1145	847	0.88		1.0	1950	1185	994	1.04
	1.1	1750	1170	862	0.90		1.1	1920	1210	1010	1.06
	1.2	1705	1195	878	0.92		1.2	1880	1230	1026	1.08
	1.3	1665	1220	894	0.94		1.3	1840	1255	1043	1.10
	1.4	1620	1240	911	0.95		1.4	1800	1275	1061	1.12
	1.5	1585	1265	935	0.97		1.5	1760	1295	1078	1.14
1.6	1540	1290	953	0.99	1.6	1720	1320	1097	1.16		
1.7	1495	1310	968	1.01	1.7	1675	1340	1114	1.18		
1.8	1440	1330	980	1.02	1.8	1630	1360	1136	1.20		
T3	0.6	2105	1095	926	0.97	T3'	0.6	2285	1145	1109	1.16
	0.7	2065	1120	948	0.99		0.7	2245	1170	1133	1.19
	0.8	2025	1145	966	1.01		0.8	2205	1195	1152	1.21
	0.9	1990	1165	983	1.03		0.9	2175	1215	1171	1.23
	1.0	1960	1190	1000	1.05		1.0	2145	1235	1190	1.25
	1.1	1925	1210	1016	1.07		1.1	2110	1255	1207	1.27
	1.2	1885	1235	1032	1.09		1.2	2075	1275	1224	1.29
	1.3	1850	1255	1049	1.11		1.3	2040	1295	1242	1.31
	1.4	1805	1275	1067	1.13		1.4	2000	1315	1261	1.33
	1.5	1765	1300	1083	1.15		1.5	1960	1335	1273	1.35
1.6	1725	1320	1103	1.17	1.6	1920	1355	1294	1.37		
1.7	1680	1340	1119	1.18	1.7	1880	1375	1311	1.39		
1.8	1635	1360	1142	1.20	1.8	1840	1395	1341	1.41		
T4	0.6	2690	1260	1639	1.68	T4'	0.6	2775	1290	1785	1.82
	0.7	2650	1285	1665	1.72		0.7	2740	1310	1811	1.85
	0.8	2615	1305	1689	1.74		0.8	2700	1330	1836	1.88
	0.9	2580	1325	1712	1.77		0.9	2665	1350	1861	1.91
	1.0	2545	1345	1738	1.80		1.0	2630	1370	1888	1.94
	1.1	2510	1365	1760	1.82		1.1	2595	1390	1912	1.97
	1.2	2475	1385	1783	1.85		1.2	2560	1410	1936	1.99
	1.3	2450	1400	1804	1.87		1.3	2535	1425	1959	2.01
	1.4	2415	1415	1826	1.89		1.4	2500	1440	1981	2.04
	1.5	2380	1435	1841	1.92		1.5	2470	1460	2001	2.06
1.6	2345	1455	1863	1.94	1.6	2435	1480	2022	2.09		
1.7	2315	1475	1882	1.97	1.7	2405	1500	2042	2.12		
1.8	2280	1495	1912	2.00	1.8	2370	1500	2064	2.12		
T5	0.6	2210	1125	1029	1.08	T5'	0.6	2390	1175	1228	1.28
	0.7	2170	1150	1052	1.10		0.7	2350	1200	1253	1.31
	0.8	2130	1175	1071	1.13		0.8	2310	1225	1273	1.34
	0.9	2100	1195	1089	1.15		0.9	2280	1245	1293	1.36
	1.0	2065	1215	1107	1.16		1.0	2250	1265	1314	1.38
	1.1	2035	1235	1123	1.18		1.1	2220	1280	1331	1.40
	1.2	1995	1260	1140	1.21		1.2	2180	1300	1350	1.42
	1.3	1960	1280	1158	1.23		1.3	2150	1320	1368	1.44
	1.4	1920	1300	1177	1.25		1.4	2110	1340	1389	1.46
	1.5	1880	1320	1190	1.26		1.5	2070	1360	1399	1.48
1.6	1840	1340	1210	1.28	1.6	2035	1380	1420	1.51		
1.7	1800	1360	1227	1.30	1.7	1995	1400	1438	1.53		
1.8	1755	1380	1255	1.32	1.8	1960	1420	1471	1.55		

6 Ton GE - 115 - Horizontal

SPEED TAP	EXTERNAL STATIC PRESSURE (ESP) IN W. C.	STANDARD CFM	RPM	WATTS	BHP	SPEED TAP	EXTERNAL STATIC PRESSURE (ESP) IN W. C.	STANDARD CFM	RPM	WATTS	BHP
T1	0.6	1660	915	530	0.51	T1'	0.6	1900	980	681	0.69
	0.7	1615	940	543	0.53		0.7	1855	1005	699	0.71
	0.8	1575	970	557	0.54		0.8	1815	1030	713	0.73
	0.9	1525	1000	569	0.56		0.9	1770	1055	728	0.75
	1.0	1485	1020	583	0.57		1.0	1735	1075	742	0.76
	1.1	1435	1050	596	0.59		1.1	1695	1100	757	0.78
	1.2	1385	1080	612	0.61		1.2	1650	1130	772	0.80
	1.3	1335	1105	626	0.62		1.3	1605	1150	786	0.81
	1.4	1290	1135	640	0.64		1.4	1555	1175	802	0.83
	1.5	1260	1160	684	0.65		1.5	1525	1200	831	0.85
	1.6	1210	1185	697	0.67		1.6	1480	1220	846	0.86
1.7	1160	1210	710	0.68	1.7	1425	1245	861	0.88		
1.8	1085	1235	695	0.69	1.8	1370	1260	866	0.89		
T2	0.6	2000	1010	753	0.78	T2'	0.6	2165	1050	889	0.92
	0.7	1950	1030	772	0.79		0.7	2120	1075	910	0.95
	0.8	1910	1055	787	0.81		0.8	2080	1100	926	0.97
	0.9	1875	1080	803	0.83		0.9	2045	1120	943	0.99
	1.0	1840	1100	817	0.85		1.0	2010	1140	959	1.00
	1.1	1805	1125	832	0.87		1.1	1980	1160	975	1.02
	1.2	1755	1145	847	0.88		1.2	1935	1180	990	1.04
	1.3	1715	1170	863	0.90		1.3	1895	1205	1006	1.06
	1.4	1670	1190	879	0.92		1.4	1855	1225	1024	1.08
	1.5	1635	1215	902	0.94		1.5	1815	1245	1040	1.10
	1.6	1585	1240	920	0.95		1.6	1770	1265	1059	1.11
1.7	1540	1260	934	0.97	1.7	1725	1285	1075	1.13		
1.8	1485	1275	946	0.98	1.8	1680	1305	1096	1.15		
T3	0.6	2170	1050	894	0.93	T3'	0.6	2355	1100	1070	1.11
	0.7	2125	1075	915	0.95		0.7	2310	1125	1093	1.14
	0.8	2085	1100	932	0.97		0.8	2270	1145	1112	1.16
	0.9	2050	1120	949	0.99		0.9	2240	1165	1130	1.18
	1.0	2020	1140	965	1.01		1.0	2210	1185	1148	1.20
	1.1	1985	1160	980	1.02		1.1	2175	1205	1165	1.22
	1.2	1940	1185	996	1.05		1.2	2135	1225	1181	1.24
	1.3	1905	1205	1012	1.06		1.3	2100	1245	1199	1.26
	1.4	1860	1225	1030	1.08		1.4	2060	1260	1217	1.28
	1.5	1820	1250	1045	1.10		1.5	2020	1280	1228	1.30
	1.6	1775	1265	1064	1.12		1.6	1980	1300	1249	1.32
1.7	1730	1285	1080	1.14	1.7	1935	1320	1265	1.34		
1.8	1685	1305	1102	1.15	1.8	1895	1340	1294	1.36		
T4	0.6	2770	1210	1582	1.62	T4'	0.6	2860	1240	1723	1.75
	0.7	2730	1235	1607	1.65		0.7	2820	1260	1748	1.78
	0.8	2695	1255	1630	1.68		0.8	2780	1275	1772	1.80
	0.9	2655	1270	1652	1.70		0.9	2745	1295	1796	1.83
	1.0	2620	1290	1677	1.72		1.0	2710	1315	1822	1.86
	1.1	2585	1310	1698	1.75		1.1	2675	1335	1845	1.89
	1.2	2550	1330	1721	1.78		1.2	2635	1355	1868	1.92
	1.3	2525	1345	1741	1.80		1.3	2610	1370	1890	1.94
	1.4	2485	1360	1762	1.82		1.4	2575	1380	1912	1.95
	1.5	2450	1380	1777	1.84		1.5	2545	1400	1931	1.98
	1.6	2415	1395	1798	1.86		1.6	2510	1420	1951	2.01
1.7	2385	1415	1816	1.89	1.7	2475	1440	1971	2.04		
1.8	2350	1435	1845	1.92	1.8	2440	1440	1992	2.04		
T5	0.6	2275	1080	993	1.03	T5'	0.6	2460	1130	1185	1.23
	0.7	2235	1105	1015	1.06		0.7	2420	1150	1209	1.26
	0.8	2195	1130	1034	1.08		0.8	2380	1175	1228	1.28
	0.9	2165	1145	1051	1.10		0.9	2350	1195	1248	1.30
	1.0	2125	1165	1068	1.12		1.0	2320	1215	1268	1.33
	1.1	2095	1185	1084	1.14		1.1	2285	1230	1284	1.34
	1.2	2055	1210	1100	1.16		1.2	2245	1250	1303	1.36
	1.3	2020	1230	1117	1.18		1.3	2215	1265	1320	1.38
	1.4	1980	1250	1136	1.20		1.4	2175	1285	1340	1.40
	1.5	1935	1265	1148	1.21		1.5	2130	1305	1350	1.42
	1.6	1895	1285	1168	1.23		1.6	2095	1325	1370	1.45
1.7	1855	1305	1184	1.25	1.7	2055	1345	1388	1.47		
1.8	1810	1325	1211	1.27	1.8	2020	1365	1420	1.49		

6 Ton GE - 140 - Downshot

SPEED TAP	EXTERNAL STATIC PRESSURE (ESP) IN W. C.	STANDARD CFM	RPM	WATTS	BHP	SPEED TAP	EXTERNAL STATIC PRESSURE (ESP) IN W. C.	STANDARD CFM	RPM	WATTS	BHP
T1	0.6	1515	930	492	0.47	T1'	0.6	1755	995	644	0.65
	0.7	1470	955	504	0.48		0.7	1715	1025	660	0.67
	0.8	1430	985	517	0.50		0.8	1675	1050	675	0.68
	0.9	1380	1015	529	0.51		0.9	1630	1075	689	0.70
	1.0	1335	1040	543	0.52		1.0	1595	1100	704	0.72
	1.1	1290	1070	557	0.54		1.1	1555	1125	718	0.73
	1.2	1240	1105	574	0.56		1.2	1505	1155	734	0.75
	1.3	1185	1135	589	0.57		1.3	1460	1180	749	0.77
	1.4	1140	1165	602	0.59		1.4	1415	1205	765	0.79
	1.5	1120	1195	655	0.60		1.5	1385	1235	800	0.81
	1.6	1065	1220	666	0.61		1.6	1340	1260	815	0.82
	1.7	1010	1245	680	0.63		1.7	1290	1280	830	0.83
1.8	935	1270	654	0.64	1.8	1225	1305	827	0.85		
T2	0.6	1940	1050	780	0.81	T2'	0.6	2100	1095	921	0.96
	0.7	1895	1075	800	0.83		0.7	2060	1120	943	0.99
	0.8	1855	1100	816	0.85		0.8	2020	1145	960	1.01
	0.9	1820	1125	832	0.87		0.9	1985	1165	977	1.02
	1.0	1785	1145	847	0.88		1.0	1950	1185	994	1.04
	1.1	1750	1170	862	0.90		1.1	1920	1210	1010	1.06
	1.2	1705	1195	878	0.92		1.2	1880	1230	1026	1.08
	1.3	1665	1220	894	0.94		1.3	1840	1255	1043	1.10
	1.4	1620	1240	911	0.95		1.4	1800	1275	1061	1.12
	1.5	1585	1265	935	0.97		1.5	1760	1295	1078	1.14
	1.6	1540	1290	953	0.99		1.6	1720	1320	1097	1.16
	1.7	1495	1310	968	1.01		1.7	1675	1340	1114	1.18
1.8	1440	1330	980	1.02	1.8	1630	1360	1136	1.20		
T3	0.6	2050	1080	874	0.91	T3'	0.6	2235	1130	1051	1.10
	0.7	2010	1105	895	0.93		0.7	2190	1155	1075	1.12
	0.8	1970	1130	913	0.95		0.8	2155	1180	1094	1.15
	0.9	1935	1150	929	0.97		0.9	2120	1200	1112	1.17
	1.0	1900	1175	946	0.99		1.0	2090	1220	1130	1.19
	1.1	1865	1195	961	1.01		1.1	2055	1240	1147	1.21
	1.2	1825	1220	977	1.03		1.2	2015	1265	1164	1.23
	1.3	1785	1240	994	1.05		1.3	1985	1285	1181	1.25
	1.4	1740	1265	1011	1.07		1.4	1940	1305	1200	1.27
	1.5	1705	1285	1030	1.08		1.5	1900	1325	1213	1.29
	1.6	1665	1310	1049	1.11		1.6	1865	1345	1234	1.31
	1.7	1620	1330	1065	1.12		1.7	1820	1365	1251	1.33
1.8	1570	1350	1085	1.14	1.8	1780	1385	1279	1.35		
T4	0.6	2690	1260	1639	1.68	T4'	0.6	2775	1290	1785	1.82
	0.7	2650	1285	1665	1.72		0.7	2740	1310	1811	1.85
	0.8	2615	1305	1689	1.74		0.8	2700	1330	1836	1.88
	0.9	2580	1325	1712	1.77		0.9	2665	1350	1861	1.91
	1.0	2545	1345	1738	1.80		1.0	2630	1370	1888	1.94
	1.1	2510	1365	1760	1.82		1.1	2595	1390	1912	1.97
	1.2	2475	1385	1783	1.85		1.2	2560	1410	1936	1.99
	1.3	2450	1400	1804	1.87		1.3	2535	1425	1959	2.01
	1.4	2415	1415	1826	1.89		1.4	2500	1440	1981	2.04
	1.5	2380	1435	1841	1.92		1.5	2470	1460	2001	2.06
	1.6	2345	1455	1863	1.94		1.6	2435	1480	2022	2.09
	1.7	2315	1475	1882	1.97		1.7	2405	1500	2042	2.12
1.8	2280	1495	1912	2.00	1.8	2370	1500	2064	2.12		
T5	0.6	2170	1115	985	1.03	T5'	0.6	2340	1160	1167	1.22
	0.7	2125	1140	1008	1.06		0.7	2300	1185	1192	1.25
	0.8	2085	1160	1026	1.08		0.8	2260	1210	1212	1.27
	0.9	2055	1185	1044	1.10		0.9	2230	1230	1231	1.29
	1.0	2020	1205	1061	1.12		1.0	2195	1250	1251	1.32
	1.1	1990	1225	1077	1.14		1.1	2165	1270	1268	1.34
	1.2	1950	1245	1094	1.15		1.2	2125	1290	1286	1.36
	1.3	1915	1270	1111	1.18		1.3	2095	1310	1304	1.38
	1.4	1870	1290	1130	1.20		1.4	2055	1330	1324	1.40
	1.5	1830	1310	1144	1.21		1.5	2015	1345	1335	1.42
	1.6	1790	1330	1164	1.23		1.6	1975	1365	1356	1.44
	1.7	1750	1350	1181	1.25		1.7	1940	1385	1374	1.46
1.8	1705	1375	1206	1.27	1.8	1900	1410	1405	1.48		

6 Ton GE - 140 - Horizontal

SPEED TAP	EXTERNAL STATIC PRESSURE (ESP) IN W. C.	STANDARD CFM	RPM	WATTS	BHP	SPEED TAP	EXTERNAL STATIC PRESSURE (ESP) IN W. C.	STANDARD CFM	RPM	WATTS	BHP
T1	0.6	1560	895	475	0.45	T1'	0.6	1810	955	621	0.62
	0.7	1515	915	486	0.46		0.7	1765	985	637	0.64
	0.8	1475	945	499	0.48		0.8	1725	1010	651	0.66
	0.9	1420	975	510	0.49		0.9	1680	1030	665	0.67
	1.0	1375	1000	524	0.50		1.0	1645	1055	679	0.69
	1.1	1330	1025	538	0.52		1.1	1600	1080	693	0.70
	1.2	1275	1060	554	0.53		1.2	1550	1110	708	0.72
	1.3	1220	1090	568	0.55		1.3	1505	1135	723	0.74
	1.4	1175	1120	581	0.56		1.4	1455	1155	738	0.75
	1.5	1155	1145	632	0.58		1.5	1425	1185	772	0.77
	1.6	1095	1170	643	0.59		1.6	1380	1210	786	0.79
	1.7	1040	1195	656	0.60		1.7	1330	1230	801	0.80
1.8	965	1220	631	0.61	1.8	1260	1255	798	0.82		
T2	0.6	2000	1010	753	0.78	T2'	0.6	2165	1050	889	0.92
	0.7	1950	1030	772	0.79		0.7	2120	1075	910	0.95
	0.8	1910	1055	787	0.81		0.8	2080	1100	926	0.97
	0.9	1875	1080	803	0.83		0.9	2045	1120	943	0.99
	1.0	1840	1100	817	0.85		1.0	2010	1140	959	1.00
	1.1	1805	1125	832	0.87		1.1	1980	1160	975	1.02
	1.2	1755	1145	847	0.88		1.2	1935	1180	990	1.04
	1.3	1715	1170	863	0.90		1.3	1895	1205	1006	1.06
	1.4	1670	1190	879	0.92		1.4	1855	1225	1024	1.08
	1.5	1635	1215	902	0.94		1.5	1815	1245	1040	1.10
	1.6	1585	1240	920	0.95		1.6	1770	1265	1059	1.11
	1.7	1540	1260	934	0.97		1.7	1725	1285	1075	1.13
1.8	1485	1275	946	0.98	1.8	1680	1305	1096	1.15		
T3	0.6	2110	1035	843	0.87	T3'	0.6	2300	1085	1014	1.06
	0.7	2070	1060	864	0.89		0.7	2255	1110	1037	1.08
	0.8	2030	1085	881	0.92		0.8	2220	1135	1056	1.11
	0.9	1995	1105	896	0.93		0.9	2185	1150	1073	1.12
	1.0	1955	1130	913	0.95		1.0	2155	1170	1090	1.14
	1.1	1920	1145	927	0.97		1.1	2115	1190	1107	1.16
	1.2	1880	1170	943	0.99		1.2	2075	1215	1123	1.18
	1.3	1840	1190	959	1.00		1.3	2045	1235	1140	1.20
	1.4	1790	1215	976	1.03		1.4	2000	1255	1158	1.22
	1.5	1755	1235	994	1.04		1.5	1955	1270	1171	1.24
	1.6	1715	1260	1012	1.06		1.6	1920	1290	1191	1.26
	1.7	1670	1275	1028	1.08		1.7	1875	1310	1207	1.28
1.8	1615	1295	1047	1.09	1.8	1835	1330	1234	1.30		
T4	0.6	2770	1210	1582	1.62	T4'	0.6	2860	1240	1723	1.75
	0.7	2730	1235	1607	1.65		0.7	2820	1260	1748	1.78
	0.8	2695	1255	1630	1.68		0.8	2780	1275	1772	1.80
	0.9	2655	1270	1652	1.70		0.9	2745	1295	1796	1.83
	1.0	2620	1290	1677	1.72		1.0	2710	1315	1822	1.86
	1.1	2585	1310	1698	1.75		1.1	2675	1335	1845	1.89
	1.2	2550	1330	1721	1.78		1.2	2635	1355	1868	1.92
	1.3	2525	1345	1741	1.80		1.3	2610	1370	1890	1.94
	1.4	2485	1360	1762	1.82		1.4	2575	1380	1912	1.95
	1.5	2450	1380	1777	1.84		1.5	2545	1400	1931	1.98
	1.6	2415	1395	1798	1.86		1.6	2510	1420	1951	2.01
	1.7	2385	1415	1816	1.89		1.7	2475	1440	1971	2.04
1.8	2350	1435	1845	1.92	1.8	2440	1440	1992	2.04		
T5	0.6	2235	1070	951	0.99	T5'	0.6	2410	1115	1126	1.17
	0.7	2190	1095	973	1.01		0.7	2370	1140	1150	1.20
	0.8	2150	1115	990	1.03		0.8	2330	1160	1170	1.22
	0.9	2115	1140	1007	1.06		0.9	2295	1180	1188	1.24
	1.0	2080	1155	1024	1.07		1.0	2260	1200	1207	1.26
	1.1	2050	1175	1039	1.09		1.1	2230	1220	1224	1.28
	1.2	2010	1195	1056	1.11		1.2	2190	1240	1241	1.31
	1.3	1970	1220	1072	1.13		1.3	2160	1260	1258	1.33
	1.4	1925	1240	1090	1.15		1.4	2115	1275	1278	1.34
	1.5	1885	1260	1104	1.17		1.5	2075	1290	1288	1.36
	1.6	1845	1275	1123	1.18		1.6	2035	1310	1309	1.38
	1.7	1805	1295	1140	1.20		1.7	2000	1330	1326	1.40
1.8	1755	1320	1164	1.22	1.8	1955	1355	1356	1.43		

3 Ton - 60K ULN - Downshot

SPEED TAP	EXTERNAL STATIC PRESSURE (ESP) in w. c.	STANDARD CFM	RPM	WATTS	BHP
T1	0.1	1030	525	107	0.10
	0.2	905	560	108	0.10
	0.3	835	605	116	0.11
	0.4	755	660	124	0.12
	0.5	690	705	132	0.13
	0.6	-	-	-	-
	0.7	-	-	-	-
	0.8	-	-	-	-
T2	0.1	1350	630	204	0.21
	0.2	1280	665	211	0.22
	0.3	1225	700	221	0.23
	0.4	1165	740	231	0.25
	0.5	1110	780	243	0.26
	0.6	1045	820	252	0.27
	0.7	980	855	263	0.28
	0.8	920	885	273	0.29
T3	0.1	1095	545	124	0.12
	0.2	980	580	126	0.12
	0.3	915	625	135	0.13
	0.4	840	675	143	0.14
	0.5	780	720	152	0.15
	0.6	690	765	164	0.16
	0.7	615	805	173	0.17
	0.8	-	-	-	-
T4	0.1	1470	670	251	0.26
	0.2	1420	705	261	0.28
	0.3	1365	740	272	0.29
	0.4	1315	775	283	0.30
	0.5	1265	810	296	0.32
	0.6	1205	845	304	0.33
	0.7	1145	880	316	0.35
	0.8	1090	905	327	0.36
T5	0.1	1555	695	287	0.30
	0.2	1510	730	299	0.32
	0.3	1460	765	310	0.33
	0.4	1410	795	322	0.35
	0.5	1365	830	336	0.36
	0.6	1310	865	344	0.38
	0.7	1255	900	357	0.39
	0.8	1205	920	368	0.40

3 ton - 60K ULN - Horizontal

SPEED TAP	EXTERNAL STATIC PRESSURE (ESP) in w. c.	STANDARD CFM	RPM	WATTS	BHP
T1	0.1	1060	505	104	0.09
	0.2	930	540	105	0.10
	0.3	860	585	113	0.11
	0.4	780	635	121	0.12
	0.5	710	680	129	0.13
	0.6	-	-	-	-
	0.7	-	-	-	-
	0.8	-	-	-	-
T2	0.1	1390	610	199	0.20
	0.2	1320	640	206	0.21
	0.3	1260	675	215	0.22
	0.4	1200	715	225	0.24
	0.5	1145	755	237	0.25
	0.6	1075	790	246	0.26
	0.7	1010	825	256	0.27
	0.8	950	855	266	0.28
T3	0.1	1130	525	121	0.11
	0.2	1010	560	123	0.12
	0.3	940	605	132	0.13
	0.4	865	650	139	0.14
	0.5	805	695	148	0.15
	0.6	710	740	160	0.16
	0.7	635	775	169	0.17
	0.8	-	-	-	-
T4	0.1	1515	645	245	0.25
	0.2	1465	680	254	0.27
	0.3	1405	715	265	0.28
	0.4	1355	750	276	0.29
	0.5	1305	780	289	0.31
	0.6	1240	815	296	0.32
	0.7	1180	850	308	0.33
	0.8	1125	875	319	0.34
T5	0.1	1600	670	280	0.29
	0.2	1555	705	292	0.31
	0.3	1505	740	302	0.32
	0.4	1450	765	314	0.33
	0.5	1405	800	328	0.35
	0.6	1350	835	335	0.36
	0.7	1295	870	348	0.38
	0.8	1240	890	359	0.39

3 Ton - 80K ULN - Downshot

SPEED TAP	EXTERNAL STATIC PRESSURE (ESP) in w. c.	STANDARD CFM	RPM	WATTS	BHP
T1	0.1	1030	525	107	0.02
	0.2	905	560	108	0.02
	0.3	835	605	116	0.02
	0.4	755	660	124	0.02
	0.5	690	705	132	0.03
	0.6	-	-	-	-
	0.7	-	-	-	-
	0.8	-	-	-	-
T2	0.1	1350	630	204	0.21
	0.2	1280	665	211	0.22
	0.3	1225	700	221	0.23
	0.4	1165	740	231	0.25
	0.5	1110	780	243	0.26
	0.6	1045	820	252	0.27
	0.7	980	855	263	0.28
	0.8	920	885	273	0.29
T3	0.1	1370	635	212	0.22
	0.2	1305	670	220	0.23
	0.3	1250	710	230	0.24
	0.4	1190	745	240	0.26
	0.5	1140	785	252	0.27
	0.6	1075	820	261	0.28
	0.7	1010	860	272	0.29
	0.8	950	890	283	0.31
T4	0.1	1470	670	251	0.26
	0.2	1420	705	261	0.28
	0.3	1365	740	272	0.29
	0.4	1315	775	283	0.30
	0.5	1265	810	296	0.32
	0.6	1205	845	304	0.33
	0.7	1145	880	316	0.35
	0.8	1090	905	327	0.36
T5	0.1	2020	855	572	0.61
	0.2	1970	880	590	0.63
	0.3	1930	905	609	0.65
	0.4	1885	935	625	0.67
	0.5	1845	960	641	0.69
	0.6	1805	990	662	0.71
	0.7	1770	1015	678	0.72
	0.8	1730	1010	690	0.72

3 Ton - 80K ULN - Horizontal

SPEED TAP	EXTERNAL STATIC PRESSURE (ESP) in w. c.	STANDARD CFM	RPM	WATTS	BHP
T1	0.1	1060	505	104	0.02
	0.2	930	540	105	0.02
	0.3	860	585	113	0.02
	0.4	780	635	121	0.02
	0.5	710	680	129	0.02
	0.6	-	-	-	-
	0.7	-	-	-	-
	0.8	-	-	-	-
T2	0.1	1390	610	199	0.20
	0.2	1320	640	206	0.21
	0.3	1260	675	215	0.22
	0.4	1200	715	225	0.24
	0.5	1145	755	237	0.25
	0.6	1075	790	246	0.26
	0.7	1010	825	256	0.27
	0.8	950	855	266	0.28
T3	0.1	1410	615	207	0.21
	0.2	1345	645	215	0.22
	0.3	1290	685	224	0.23
	0.4	1225	720	234	0.25
	0.5	1175	760	246	0.26
	0.6	1105	790	254	0.27
	0.7	1040	830	265	0.28
	0.8	980	860	276	0.29
T4	0.1	1515	645	245	0.25
	0.2	1465	680	254	0.27
	0.3	1405	715	265	0.28
	0.4	1355	750	276	0.29
	0.5	1305	780	289	0.31
	0.6	1240	815	296	0.32
	0.7	1180	850	308	0.33
	0.8	1125	875	319	0.34
T5	0.1	2080	825	558	0.59
	0.2	2030	850	575	0.61
	0.3	1990	875	594	0.62
	0.4	1940	900	609	0.64
	0.5	1900	925	625	0.66
	0.6	1860	955	645	0.68
	0.7	1825	980	661	0.70
	0.8	1780	975	673	0.70

3 Ton - 100K ULN - Downshot

SPEED TAP	EXTERNAL STATIC PRESSURE (ESP) in w. c.	STANDARD CFM	RPM	WATTS	BHP
T1	0.1	1030	525	107	0.10
	0.2	905	560	108	0.10
	0.3	835	605	116	0.11
	0.4	755	660	124	0.12
	0.5	690	705	132	0.13
	0.6	-	-	-	-
	0.7	-	-	-	-
	0.8	-	-	-	-
T2	0.1	1350	630	204	0.21
	0.2	1280	665	211	0.22
	0.3	1225	700	221	0.23
	0.4	1165	740	231	0.25
	0.5	1110	780	243	0.26
	0.6	1045	820	252	0.27
	0.7	980	855	263	0.28
	0.8	920	885	273	0.29
T3	0.1	1400	645	223	0.23
	0.2	1340	680	231	0.24
	0.3	1285	720	242	0.26
	0.4	1225	755	252	0.27
	0.5	1175	790	264	0.28
	0.6	1110	830	273	0.30
	0.7	1050	865	284	0.31
	0.8	990	895	295	0.32
T4	0.1	1470	670	251	0.26
	0.2	1420	705	261	0.28
	0.3	1365	740	272	0.29
	0.4	1315	775	283	0.30
	0.5	1265	810	296	0.32
	0.6	1205	845	304	0.33
	0.7	1145	880	316	0.35
	0.8	1090	905	327	0.36
T5	0.1	1555	695	287	0.30
	0.2	1510	730	299	0.32
	0.3	1460	765	310	0.33
	0.4	1410	795	322	0.35
	0.5	1365	830	336	0.36
	0.6	1310	865	344	0.38
	0.7	1255	900	357	0.39
	0.8	1205	920	368	0.40

3 Ton - 100K ULN - Horizontal

SPEED TAP	EXTERNAL STATIC PRESSURE (ESP) in w. c.	STANDARD CFM	RPM	WATTS	BHP
T1	0.1	1060	505	104	0.09
	0.2	930	540	105	0.10
	0.3	860	585	113	0.11
	0.4	780	635	121	0.12
	0.5	710	680	129	0.13
	0.6	-	-	-	-
	0.7	-	-	-	-
	0.8	-	-	-	-
T2	0.1	1390	610	199	0.20
	0.2	1320	640	206	0.21
	0.3	1260	675	215	0.22
	0.4	1200	715	225	0.24
	0.5	1145	755	237	0.25
	0.6	1075	790	246	0.26
	0.7	1010	825	256	0.27
	0.8	950	855	266	0.28
T3	0.1	1440	620	217	0.22
	0.2	1380	655	225	0.23
	0.3	1325	695	236	0.25
	0.4	1260	730	246	0.26
	0.5	1210	760	257	0.27
	0.6	1145	800	266	0.29
	0.7	1080	835	277	0.30
	0.8	1020	865	288	0.31
T4	0.1	1515	645	245	0.25
	0.2	1465	680	254	0.27
	0.3	1405	715	265	0.28
	0.4	1355	750	276	0.29
	0.5	1305	780	289	0.31
	0.6	1240	815	296	0.32
	0.7	1180	850	308	0.33
	0.8	1125	875	319	0.34
T5	0.1	1600	670	280	0.29
	0.2	1555	705	292	0.31
	0.3	1505	740	302	0.32
	0.4	1450	765	314	0.33
	0.5	1405	800	328	0.35
	0.6	1350	835	335	0.36
	0.7	1295	870	348	0.38
	0.8	1240	890	359	0.39

3 Ton - 60K ULN - Downshot

SPEED TAP	EXTERNAL STATIC PRESSURE (ESP) in w. c.	STANDARD CFM	RPM	WATTS	BHP
T1	0.1	1030	525	107	0.10
	0.2	905	560	108	0.10
	0.3	835	605	116	0.11
	0.4	755	660	124	0.12
	0.5	690	705	132	0.13
	0.6	-	-	-	-
	0.7	-	-	-	-
	0.8	-	-	-	-
T2	0.1	1350	630	204	0.21
	0.2	1280	665	211	0.22
	0.3	1225	700	221	0.23
	0.4	1165	740	231	0.25
	0.5	1110	780	243	0.26
	0.6	1045	820	252	0.27
	0.7	980	855	263	0.28
	0.8	920	885	273	0.29
T3	0.1	1095	545	124	0.12
	0.2	980	580	126	0.12
	0.3	915	625	135	0.13
	0.4	840	675	143	0.14
	0.5	780	720	152	0.15
	0.6	690	765	164	0.16
	0.7	615	805	173	0.17
	0.8	-	-	-	-
T4	0.1	1470	670	251	0.26
	0.2	1420	705	261	0.28
	0.3	1365	740	272	0.29
	0.4	1315	775	283	0.30
	0.5	1265	810	296	0.32
	0.6	1205	845	304	0.33
	0.7	1145	880	316	0.35
	0.8	1090	905	327	0.36
T5	0.1	1555	695	287	0.30
	0.2	1510	730	299	0.32
	0.3	1460	765	310	0.33
	0.4	1410	795	322	0.35
	0.5	1365	830	336	0.36
	0.6	1310	865	344	0.38
	0.7	1255	900	357	0.39
	0.8	1205	920	368	0.40

3 Ton - 60K ULN - Horizontal

SPEED TAP	EXTERNAL STATIC PRESSURE (ESP) in w. c.	STANDARD CFM	RPM	WATTS	BHP
T1	0.1	1060	505	104	0.09
	0.2	930	540	105	0.10
	0.3	860	585	113	0.11
	0.4	780	635	121	0.12
	0.5	710	680	129	0.13
	0.6	-	-	-	-
	0.7	-	-	-	-
	0.8	-	-	-	-
T2	0.1	1390	610	199	0.20
	0.2	1320	640	206	0.21
	0.3	1260	675	215	0.22
	0.4	1200	715	225	0.24
	0.5	1145	755	237	0.25
	0.6	1075	790	246	0.26
	0.7	1010	825	256	0.27
	0.8	950	855	266	0.28
T3	0.1	1130	525	121	0.11
	0.2	1010	560	123	0.12
	0.3	940	605	132	0.13
	0.4	865	650	139	0.14
	0.5	805	695	148	0.15
	0.6	710	740	160	0.16
	0.7	635	775	169	0.17
	0.8	-	-	-	-
T4	0.1	1515	645	245	0.25
	0.2	1465	680	254	0.27
	0.3	1405	715	265	0.28
	0.4	1355	750	276	0.29
	0.5	1305	780	289	0.31
	0.6	1240	815	296	0.32
	0.7	1180	850	308	0.33
	0.8	1125	875	319	0.34
T5	0.1	1600	670	280	0.29
	0.2	1555	705	292	0.31
	0.3	1505	740	302	0.32
	0.4	1450	765	314	0.33
	0.5	1405	800	328	0.35
	0.6	1350	835	335	0.36
	0.7	1295	870	348	0.38
	0.8	1240	890	359	0.39

3 Ton - 80K ULN - Downshot

SPEED TAP	EXTERNAL STATIC PRESSURE (ESP) in w. c.	STANDARD CFM	RPM	WATTS	BHP
T1	0.1	1030	525	107	0.10
	0.2	905	560	108	0.10
	0.3	835	605	116	0.11
	0.4	755	660	124	0.12
	0.5	690	705	132	0.13
	0.6	-	-	-	-
	0.7	-	-	-	-
	0.8	-	-	-	-
T2	0.1	1350	630	204	0.21
	0.2	1280	665	211	0.22
	0.3	1225	700	221	0.23
	0.4	1165	740	231	0.25
	0.5	1110	780	243	0.26
	0.6	1045	820	252	0.27
	0.7	980	855	263	0.28
	0.8	920	885	273	0.29
T3	0.1	1370	635	212	0.22
	0.2	1305	670	220	0.23
	0.3	1250	710	230	0.24
	0.4	1190	745	240	0.26
	0.5	1140	785	252	0.27
	0.6	1075	820	261	0.28
	0.7	1010	860	272	0.29
	0.8	950	890	283	0.31
T4	0.1	1470	670	251	0.26
	0.2	1420	705	261	0.28
	0.3	1365	740	272	0.29
	0.4	1315	775	283	0.30
	0.5	1265	810	296	0.32
	0.6	1205	845	304	0.33
	0.7	1145	880	316	0.35
	0.8	1090	905	327	0.36
T5	0.1	1555	695	287	0.30
	0.2	1510	730	299	0.32
	0.3	1460	765	310	0.33
	0.4	1410	795	322	0.35
	0.5	1365	830	336	0.36
	0.6	1310	865	344	0.38
	0.7	1255	900	357	0.39
	0.8	1205	920	368	0.40

3 Ton - 80K ULN - Horizontal

SPEED TAP	EXTERNAL STATIC PRESSURE (ESP) in w. c.	STANDARD CFM	RPM	WATTS	BHP
T1	0.1	1060	505	104	0.09
	0.2	930	540	105	0.10
	0.3	860	585	113	0.11
	0.4	780	635	121	0.12
	0.5	710	680	129	0.13
	0.6	-	-	-	-
	0.7	-	-	-	-
	0.8	-	-	-	-
T2	0.1	1390	610	199	0.20
	0.2	1320	640	206	0.21
	0.3	1260	675	215	0.22
	0.4	1200	715	225	0.24
	0.5	1145	755	237	0.25
	0.6	1075	790	246	0.26
	0.7	1010	825	256	0.27
	0.8	950	855	266	0.28
T3	0.1	1410	615	207	0.21
	0.2	1345	645	215	0.22
	0.3	1290	685	224	0.23
	0.4	1225	720	234	0.25
	0.5	1175	760	246	0.26
	0.6	1105	790	254	0.27
	0.7	1040	830	265	0.28
	0.8	980	860	276	0.29
T4	0.1	1515	645	245	0.25
	0.2	1465	680	254	0.27
	0.3	1405	715	265	0.28
	0.4	1355	750	276	0.29
	0.5	1305	780	289	0.31
	0.6	1240	815	296	0.32
	0.7	1180	850	308	0.33
	0.8	1125	875	319	0.34
T5	0.1	1600	670	280	0.29
	0.2	1555	705	292	0.31
	0.3	1505	740	302	0.32
	0.4	1450	765	314	0.33
	0.5	1405	800	328	0.35
	0.6	1350	835	335	0.36
	0.7	1295	870	348	0.38
	0.8	1240	890	359	0.39

3 Ton - 100K ULN - Downshot

SPEED TAP	EXTERNAL STATIC PRESSURE (ESP) in w. c.	STANDARD CFM	RPM	WATTS	BHP
T1	0.1	1030	525	107	0.10
	0.2	905	560	108	0.10
	0.3	835	605	116	0.11
	0.4	755	660	124	0.12
	0.5	690	705	132	0.13
	0.6	-	-	-	-
	0.7	-	-	-	-
	0.8	-	-	-	-
T2	0.1	1350	630	204	0.21
	0.2	1280	665	211	0.22
	0.3	1225	700	221	0.23
	0.4	1165	740	231	0.25
	0.5	1110	780	243	0.26
	0.6	1045	820	252	0.27
	0.7	980	855	263	0.28
	0.8	920	885	273	0.29
T3	0.1	1400	645	223	0.23
	0.2	1340	680	231	0.24
	0.3	1285	720	242	0.26
	0.4	1225	755	252	0.27
	0.5	1175	790	264	0.28
	0.6	1110	830	273	0.30
	0.7	1050	865	284	0.31
	0.8	990	895	295	0.32
T4	0.1	1470	670	251	0.26
	0.2	1420	705	261	0.28
	0.3	1365	740	272	0.29
	0.4	1315	775	283	0.30
	0.5	1265	810	296	0.32
	0.6	1205	845	304	0.33
	0.7	1145	880	316	0.35
	0.8	1090	905	327	0.36
T5	0.1	1555	695	287	0.30
	0.2	1510	730	299	0.32
	0.3	1460	765	310	0.33
	0.4	1410	795	322	0.35
	0.5	1365	830	336	0.36
	0.6	1310	865	344	0.38
	0.7	1255	900	357	0.39
	0.8	1205	920	368	0.40

3 Ton - 100K ULN - Horizontal

SPEED TAP	EXTERNAL STATIC PRESSURE (ESP) in w. c.	STANDARD CFM	RPM	WATTS	BHP
T1	0.1	1060	505	104	0.09
	0.2	930	540	105	0.10
	0.3	860	585	113	0.11
	0.4	780	635	121	0.12
	0.5	710	680	129	0.13
	0.6	-	-	-	-
	0.7	-	-	-	-
	0.8	-	-	-	-
T2	0.1	1390	610	199	0.20
	0.2	1320	640	206	0.21
	0.3	1260	675	215	0.22
	0.4	1200	715	225	0.24
	0.5	1145	755	237	0.25
	0.6	1075	790	246	0.26
	0.7	1010	825	256	0.27
	0.8	950	855	266	0.28
T3	0.1	1440	620	217	0.22
	0.2	1380	655	225	0.23
	0.3	1325	695	236	0.25
	0.4	1260	730	246	0.26
	0.5	1210	760	257	0.27
	0.6	1145	800	266	0.29
	0.7	1080	835	277	0.30
	0.8	1020	865	288	0.31
T4	0.1	1515	645	245	0.25
	0.2	1465	680	254	0.27
	0.3	1405	715	265	0.28
	0.4	1355	750	276	0.29
	0.5	1305	780	289	0.31
	0.6	1240	815	296	0.32
	0.7	1180	850	308	0.33
	0.8	1125	875	319	0.34
T5	0.1	1600	670	280	0.29
	0.2	1555	705	292	0.31
	0.3	1505	740	302	0.32
	0.4	1450	765	314	0.33
	0.5	1405	800	328	0.35
	0.6	1350	835	335	0.36
	0.7	1295	870	348	0.38
	0.8	1240	890	359	0.39

3 Ton - 60K ULN - Downshot

SPEED TAP	EXTERNAL STATIC PRESSURE (ESP) in w. c.	STANDARD CFM	RPM	WATTS	BHP
T1	0.1	1145	555	129	0.13
	0.2	1070	595	139	0.14
	0.3	1005	635	147	0.15
	0.4	940	675	157	0.16
	0.5	865	720	166	0.17
	0.6	790	760	175	0.18
	0.7	720	800	184	0.19
	0.8	630	855	198	0.21
T2	0.1	1350	620	196	0.21
	0.2	1280	660	208	0.22
	0.3	1225	695	218	0.23
	0.4	1165	730	228	0.24
	0.5	1100	770	239	0.26
	0.6	1040	805	249	0.27
	0.7	980	845	260	0.28
	0.8	900	890	272	0.30
T3	0.1	1415	640	221	0.23
	0.2	1355	680	233	0.25
	0.3	1295	715	244	0.26
	0.4	1240	750	255	0.27
	0.5	1180	790	266	0.29
	0.6	1120	825	277	0.30
	0.7	1060	860	288	0.31
	0.8	990	900	299	0.33
T4	0.1	1490	665	250	0.27
	0.2	1430	700	263	0.28
	0.3	1375	735	274	0.29
	0.4	1320	770	285	0.31
	0.5	1265	805	297	0.32
	0.6	1210	840	308	0.34
	0.7	1155	875	320	0.35
	0.8	1090	915	331	0.37
T5	0.1	1585	700	292	0.31
	0.2	1530	730	305	0.33
	0.3	1480	765	317	0.34
	0.4	1430	800	328	0.36
	0.5	1375	835	341	0.37
	0.6	1325	865	352	0.39
	0.7	1270	895	365	0.40
	0.8	1215	930	376	0.42

3 Ton - 60K ULN - Horizontal

SPEED TAP	EXTERNAL STATIC PRESSURE (ESP) IN W. C.	STANDARD CFM	RPM	WATTS	BHP
T1	0.1	1175	535	125	0.13
	0.2	1095	575	135	0.14
	0.3	1030	615	143	0.15
	0.4	965	650	152	0.16
	0.5	885	695	161	0.17
	0.6	810	735	170	0.18
	0.7	740	770	178	0.19
	0.8	645	825	192	0.20
T2	0.1	1385	600	190	0.20
	0.2	1310	635	202	0.21
	0.3	1255	670	211	0.22
	0.4	1195	705	221	0.23
	0.5	1130	745	232	0.25
	0.6	1065	775	242	0.26
	0.7	1005	815	252	0.27
	0.8	920	860	264	0.29
T3	0.1	1450	620	214	0.23
	0.2	1390	655	226	0.24
	0.3	1325	690	237	0.25
	0.4	1270	725	247	0.26
	0.5	1210	760	258	0.28
	0.6	1150	795	269	0.29
	0.7	1085	830	279	0.30
	0.8	1015	870	290	0.32
T4	0.1	1525	640	243	0.26
	0.2	1465	675	255	0.27
	0.3	1410	710	266	0.28
	0.4	1355	745	276	0.30
	0.5	1295	775	288	0.31
	0.6	1240	810	299	0.32
	0.7	1185	845	310	0.34
	0.8	1115	885	321	0.35
T5	0.1	1625	675	283	0.30
	0.2	1570	705	296	0.32
	0.3	1515	740	307	0.33
	0.4	1465	770	318	0.34
	0.5	1410	805	331	0.36
	0.6	1360	835	341	0.37
	0.7	1300	865	354	0.39
	0.8	1245	895	365	0.40

3 Ton - 80K ULN - Downshot

SPEED TAP	EXTERNAL STATIC PRESSURE (ESP) in w. c.	STANDARD CFM	RPM	WATTS	BHP
T1	0.1	1145	555	129	0.13
	0.2	1070	595	139	0.14
	0.3	1005	635	147	0.15
	0.4	940	675	157	0.16
	0.5	865	720	166	0.17
	0.6	790	760	175	0.18
	0.7	720	800	184	0.19
	0.8	630	855	198	0.21
T2	0.1	1350	620	196	0.21
	0.2	1280	660	208	0.22
	0.3	1225	695	218	0.23
	0.4	1165	730	228	0.24
	0.5	1100	770	239	0.26
	0.6	1040	805	249	0.27
	0.7	980	845	260	0.28
	0.8	900	890	272	0.30
T3	0.1	1415	640	221	0.23
	0.2	1355	680	233	0.25
	0.3	1295	715	244	0.26
	0.4	1240	750	255	0.27
	0.5	1180	790	266	0.29
	0.6	1120	825	277	0.30
	0.7	1060	860	288	0.31
	0.8	990	900	299	0.33
T4	0.1	1490	665	250	0.27
	0.2	1430	700	263	0.28
	0.3	1375	735	274	0.29
	0.4	1320	770	285	0.31
	0.5	1265	805	297	0.32
	0.6	1210	840	308	0.34
	0.7	1155	875	320	0.35
	0.8	1090	915	331	0.37
T5	0.1	1585	700	292	0.31
	0.2	1530	730	305	0.33
	0.3	1480	765	317	0.34
	0.4	1430	800	328	0.36
	0.5	1375	835	341	0.37
	0.6	1325	865	352	0.39
	0.7	1270	895	365	0.40
	0.8	1215	930	376	0.42

3 Ton - 80K ULN - Horizontal

SPEED TAP	EXTERNAL STATIC PRESSURE (ESP) in w. c.	STANDARD CFM	RPM	WATTS	BHP
T1	0.1	1175	535	125	0.13
	0.2	1095	575	135	0.14
	0.3	1030	615	143	0.15
	0.4	965	650	152	0.16
	0.5	885	695	161	0.17
	0.6	810	735	170	0.18
	0.7	740	770	178	0.19
	0.8	645	825	192	0.20
T2	0.1	1385	600	190	0.20
	0.2	1310	635	202	0.21
	0.3	1255	670	211	0.22
	0.4	1195	705	221	0.23
	0.5	1130	745	232	0.25
	0.6	1065	775	242	0.26
	0.7	1005	815	252	0.27
	0.8	920	860	264	0.29
T3	0.1	1450	620	214	0.23
	0.2	1390	655	226	0.24
	0.3	1325	690	237	0.25
	0.4	1270	725	247	0.26
	0.5	1210	760	258	0.28
	0.6	1150	795	269	0.29
	0.7	1085	830	279	0.30
	0.8	1015	870	290	0.32
T4	0.1	1525	640	243	0.26
	0.2	1465	675	255	0.27
	0.3	1410	710	266	0.28
	0.4	1355	745	276	0.30
	0.5	1295	775	288	0.31
	0.6	1240	810	299	0.32
	0.7	1185	845	310	0.34
	0.8	1115	885	321	0.35
T5	0.1	1625	675	283	0.30
	0.2	1570	705	296	0.32
	0.3	1515	740	307	0.33
	0.4	1465	770	318	0.34
	0.5	1410	805	331	0.36
	0.6	1360	835	341	0.37
	0.7	1300	865	354	0.39
	0.8	1245	895	365	0.40

3 Ton - 100K ULN - Downshot

SPEED TAP	EXTERNAL STATIC PRESSURE (ESP) in w. c.	STANDARD CFM	RPM	WATTS	BHP
T1	0.1	1225	580	155	0.16
	0.2	1155	620	166	0.17
	0.3	1095	660	175	0.18
	0.4	1030	700	184	0.20
	0.5	960	740	194	0.21
	0.6	895	780	204	0.22
	0.7	825	820	214	0.23
	0.8	740	870	227	0.24
T2	0.1	1350	620	196	0.21
	0.2	1280	660	208	0.22
	0.3	1225	695	218	0.23
	0.4	1165	730	228	0.24
	0.5	1100	770	239	0.26
	0.6	1040	805	249	0.27
	0.7	980	845	260	0.28
	0.8	900	890	272	0.30
T3	0.1	1440	650	231	0.24
	0.2	1380	685	243	0.26
	0.3	1320	720	254	0.27
	0.4	1265	760	265	0.29
	0.5	1205	795	276	0.30
	0.6	1150	830	287	0.31
	0.7	1090	865	298	0.33
	0.8	1025	905	309	0.34
T4	0.1	1490	665	250	0.27
	0.2	1430	700	263	0.28
	0.3	1375	735	274	0.29
	0.4	1320	770	285	0.31
	0.5	1265	805	297	0.32
	0.6	1210	840	308	0.34
	0.7	1155	875	320	0.35
	0.8	1090	915	331	0.37
T5	0.1	1585	700	292	0.31
	0.2	1530	730	305	0.33
	0.3	1480	765	317	0.34
	0.4	1430	800	328	0.36
	0.5	1375	835	341	0.37
	0.6	1325	865	352	0.39
	0.7	1270	895	365	0.40
	0.8	1215	930	376	0.42

3 Ton - 100K ULN - Horizontal

SPEED TAP	EXTERNAL STATIC PRESSURE (ESP) in w. c.	STANDARD CFM	RPM	WATTS	BHP
T1	0.1	1255	560	150	0.16
	0.2	1185	600	161	0.17
	0.3	1120	635	170	0.18
	0.4	1055	675	178	0.19
	0.5	985	715	188	0.20
	0.6	915	755	198	0.21
	0.7	845	790	208	0.22
	0.8	760	840	220	0.23
T2	0.1	1385	600	190	0.20
	0.2	1310	635	202	0.21
	0.3	1255	670	211	0.22
	0.4	1195	705	221	0.23
	0.5	1130	745	232	0.25
	0.6	1065	775	242	0.26
	0.7	1005	815	252	0.27
	0.8	920	860	264	0.29
T3	0.1	1475	625	224	0.24
	0.2	1415	660	236	0.25
	0.3	1355	695	246	0.26
	0.4	1295	735	257	0.28
	0.5	1235	765	268	0.29
	0.6	1180	800	278	0.30
	0.7	1115	835	289	0.31
	0.8	1050	875	300	0.33
T4	0.1	1525	640	243	0.26
	0.2	1465	675	255	0.27
	0.3	1410	710	266	0.28
	0.4	1355	745	276	0.30
	0.5	1295	775	288	0.31
	0.6	1240	810	299	0.32
	0.7	1185	845	310	0.34
	0.8	1115	885	321	0.35
T5	0.1	1625	675	283	0.30
	0.2	1570	705	296	0.32
	0.3	1515	740	307	0.33
	0.4	1465	770	318	0.34
	0.5	1410	805	331	0.36
	0.6	1360	835	341	0.37
	0.7	1300	865	354	0.39
	0.8	1245	895	365	0.40

3 Ton - 60K ULN - Downshot

SPEED TAP	EXTERNAL STATIC PRESSURE (ESP) in w. c.	STANDARD CFM	RPM	WATTS	BHP	SPEED TAP	EXTERNAL STATIC PRESSURE (ESP) in w. c.	STANDARD CFM	RPM	WATTS	BHP
T1	0.8	855	880	257	0.28	T1'	0.8	1190	925	367	0.41
	0.9	795	915	267	0.29		0.9	1140	960	378	0.42
	1	740	950	277	0.30		1	1085	995	391	0.44
	1.1	675	985	287	0.31		1.1	1025	w1025	403	0.45
	1.2	620	1025	298	0.32		1.2	975	1060	415	0.46
	1.3	-	-	-	-		1.3	925	1090	426	0.48
	1.4	-	-	-	-		1.4	885	1115	436	0.49
	1.5	-	-	-	-		1.5	855	1140	443	0.50
	1.6	-	-	-	-		1.6	805	1155	447	0.51
	1.7	-	-	-	-		1.7	745	1200	465	0.53
1.8	-	-	-	-	1.8	705	1220	472	0.53		
T2	0.8	1355	955	432	0.48	T2'	0.8	1590	995	542	0.61
	0.9	1305	985	444	0.50		0.9	1545	1020	556	0.62
	1	1255	1015	458	0.51		1	1495	1050	570	0.64
	1.1	1200	1050	471	0.53		1.1	1450	1080	585	0.66
	1.2	1150	1080	484	0.54		1.2	1400	1110	599	0.68
	1.3	1100	1110	497	0.56		1.3	1350	1140	615	0.69
	1.4	1055	1135	509	0.57		1.4	1305	1165	628	0.71
	1.5	1020	1165	520	0.59		1.5	1255	1195	644	0.73
	1.6	970	1180	527	0.60		1.6	1205	1220	656	0.74
	1.7	915	1220	543	0.62		1.7	1160	1245	669	0.76
1.8	870	1245	552	0.63	1.8	1110	1275	682	0.78		
T3	0.8	1340	950	426	0.47	T3'	0.8	1570	990	532	0.59
	0.9	1295	980	438	0.49		0.9	1525	1020	545	0.61
	1	1240	1015	452	0.51		1	1475	1050	560	0.63
	1.1	1185	1045	466	0.52		1.1	1425	1080	574	0.65
	1.2	1135	1075	478	0.54		1.2	1380	1105	588	0.66
	1.3	1085	1110	491	0.55		1.3	1330	1135	604	0.68
	1.4	1045	1135	503	0.57		1.4	1285	1165	617	0.70
	1.5	1005	1160	514	0.58		1.5	1235	1195	633	0.72
	1.6	955	1180	520	0.59		1.6	1185	1220	644	0.73
	1.7	900	1220	536	0.61		1.7	1140	1245	657	0.75
1.8	855	1240	546	0.62	1.8	1090	1270	670	0.76		
T4	0.8	1485	975	491	0.55	T4'	0.8	1705	1015	607	0.68
	0.9	1440	1005	504	0.56		0.9	1665	1045	621	0.70
	1	1390	1035	518	0.58		1	1615	1075	635	0.72
	1.1	1340	1065	532	0.60		1.1	1570	1100	651	0.73
	1.2	1290	1095	546	0.62		1.2	1525	1125	665	0.75
	1.3	1240	1125	560	0.63		1.3	1475	1155	681	0.77
	1.4	1195	1155	573	0.65		1.4	1430	1185	696	0.79
	1.5	1150	1185	587	0.67		1.5	1375	1215	713	0.81
	1.6	1100	1205	597	0.68		1.6	1325	1240	727	0.83
	1.7	1050	1235	611	0.69		1.7	1290	1260	740	0.84
1.8	1005	1260	623	0.71	1.8	1235	1290	754	0.86		
T5	0.8	1465	970	481	0.54	T5'	0.8	1695	1015	601	0.67
	0.9	1420	1000	494	0.55		0.9	1655	1040	615	0.69
	1	1370	1030	508	0.57		1	1605	1070	630	0.71
	1.1	1315	1065	522	0.59		1.1	1560	1100	645	0.73
	1.2	1265	1090	535	0.60		1.2	1515	1125	659	0.74
	1.3	1220	1125	550	0.62		1.3	1465	1155	676	0.76
	1.4	1175	1150	562	0.63		1.4	1420	1180	690	0.78
	1.5	1130	1180	576	0.65		1.5	1370	1210	707	0.80
	1.6	1080	1200	585	0.66		1.6	1315	1240	721	0.82
	1.7	1030	1235	600	0.68		1.7	1280	1260	734	0.83
1.8	980	1260	611	0.70	1.8	1225	1290	748	0.85		

3 Ton - 60K ULN - Horizontal

SPEED TAP	EXTERNAL STATIC PRESSURE (ESP) in w. c.	STANDARD CFM	RPM	WATTS	BHP	SPEED TAP	EXTERNAL STATIC PRESSURE (ESP) in w. c.	STANDARD CFM	RPM	WATTS	BHP
T1	0.8	875	850	249	0.27	T1'	0.8	1220	895	356	0.39
	0.9	815	885	259	0.28		0.9	1170	925	367	0.41
	1	760	915	269	0.29		1	1110	960	379	0.42
	1.1	690	950	278	0.30		1.1	1050	990	391	0.43
	1.2	635	990	289	0.31		1.2	1000	1025	403	0.45
	1.3	-	-	-	-		1.3	950	1050	413	0.46
	1.4	-	-	-	-		1.4	905	1075	423	0.47
	1.5	-	-	-	-		1.5	875	1100	430	0.48
	1.6	-	-	-	-		1.6	825	1115	434	0.49
	1.7	-	-	-	-		1.7	765	1160	451	0.51
1.8	-	-	-	-	1.8	725	1175	458	0.51		
T2	0.8	1390	920	419	0.46	T2'	0.8	1630	960	526	0.58
	0.9	1340	950	431	0.48		0.9	1585	985	539	0.60
	1	1285	980	444	0.49		1	1530	1015	553	0.62
	1.1	1230	1015	457	0.51		1.1	1485	1040	567	0.63
	1.2	1180	1040	469	0.52		1.2	1435	1070	581	0.65
	1.3	1130	1070	482	0.54		1.3	1385	1100	597	0.67
	1.4	1080	1095	494	0.55		1.4	1340	1125	609	0.69
	1.5	1045	1125	504	0.57		1.5	1285	1155	625	0.70
	1.6	995	1140	511	0.58		1.6	1235	1175	636	0.72
	1.7	940	1175	527	0.59		1.7	1190	1200	649	0.73
1.8	890	1200	535	0.61	1.8	1140	1230	662	0.75		
T3	0.8	1375	915	413	0.46	T3'	0.8	1610	955	516	0.57
	0.9	1325	945	425	0.47		0.9	1565	985	529	0.59
	1	1270	980	438	0.49		1	1510	1015	543	0.61
	1.1	1215	1010	452	0.50		1.1	1460	1040	557	0.62
	1.2	1165	1035	464	0.52		1.2	1415	1065	570	0.64
	1.3	1110	1070	476	0.53		1.3	1365	1095	586	0.66
	1.4	1070	1095	488	0.55		1.4	1315	1125	598	0.67
	1.5	1030	1120	499	0.56		1.5	1265	1155	614	0.69
	1.6	980	1140	504	0.57		1.6	1215	1175	625	0.70
	1.7	920	1175	520	0.59		1.7	1170	1200	637	0.72
1.8	875	1195	530	0.60	1.8	1115	1225	650	0.73		
T4	0.8	1520	940	476	0.53	T4'	0.8	1750	980	589	0.65
	0.9	1475	970	489	0.54		0.9	1705	1010	602	0.67
	1	1425	1000	502	0.56		1	1655	1035	616	0.69
	1.1	1375	1030	516	0.58		1.1	1610	1060	631	0.71
	1.2	1320	1055	530	0.59		1.2	1565	1085	645	0.72
	1.3	1270	1085	543	0.61		1.3	1510	1115	661	0.74
	1.4	1225	1115	556	0.63		1.4	1465	1145	675	0.76
	1.5	1180	1145	569	0.64		1.5	1410	1170	692	0.78
	1.6	1130	1165	579	0.65		1.6	1360	1195	705	0.80
	1.7	1075	1190	593	0.67		1.7	1320	1215	718	0.81
1.8	1030	1215	604	0.68	1.8	1265	1245	731	0.83		
T5	0.8	1500	935	467	0.52	T5'	0.8	1735	980	583	0.65
	0.9	1455	965	479	0.53		0.9	1695	1005	597	0.66
	1	1405	995	493	0.55		1	1645	1035	611	0.68
	1.1	1350	1030	506	0.57		1.1	1600	1060	626	0.70
	1.2	1295	1050	519	0.58		1.2	1555	1085	639	0.72
	1.3	1250	1085	534	0.60		1.3	1500	1115	656	0.74
	1.4	1205	1110	545	0.61		1.4	1455	1140	669	0.75
	1.5	1160	1140	559	0.63		1.5	1405	1170	686	0.77
	1.6	1105	1160	567	0.64		1.6	1350	1195	699	0.79
	1.7	1055	1190	582	0.66		1.7	1310	1215	712	0.80
1.8	1005	1215	593	0.67	1.8	1255	1245	726	0.82		

3 Ton - 80K ULN - Downshot

SPEED TAP	EXTERNAL STATIC PRESSURE (ESP) in w. c.	STANDARD CFM	RPM	WATTS	BHP	SPEED TAP	EXTERNAL STATIC PRESSURE (ESP) in w. c.	STANDARD CFM	RPM	WATTS	BHP
T1	0.8	1310	945	414	0.46	T1'	0.8	1550	985	521	0.58
	0.9	1260	975	426	0.47		0.9	1505	1015	535	0.60
	1	1210	1010	439	0.49		1	1455	1045	549	0.62
	1.1	1155	1040	453	0.51		1.1	1405	1075	564	0.63
	1.2	1100	1075	465	0.52		1.2	1355	1105	577	0.65
	1.3	1055	1105	478	0.54		1.3	1305	1135	593	0.67
	1.4	1010	1130	489	0.55		1.4	1265	1160	606	0.68
	1.5	975	1160	499	0.56		1.5	1215	1190	621	0.70
	1.6	925	1175	505	0.57		1.6	1165	1215	632	0.72
	1.7	870	1215	521	0.59		1.7	1120	1240	646	0.73
T2	0.8	1355	955	432	0.48	T2'	0.8	1590	995	542	0.61
	0.9	1305	985	444	0.50		0.9	1545	1020	556	0.62
	1	1255	1015	458	0.51		1	1495	1050	570	0.64
	1.1	1200	1050	471	0.53		1.1	1450	1080	585	0.66
	1.2	1150	1080	484	0.54		1.2	1400	1110	599	0.68
	1.3	1100	1110	497	0.56		1.3	1350	1140	615	0.69
	1.4	1055	1135	509	0.57		1.4	1305	1165	628	0.71
	1.5	1020	1165	520	0.59		1.5	1255	1195	644	0.73
	1.6	970	1180	527	0.60		1.6	1205	1220	656	0.74
	1.7	915	1220	543	0.62		1.7	1160	1245	669	0.76
T3	0.8	1755	1030	640	0.72	T3'	0.8	1950	1075	780	0.87
	0.9	1715	1055	654	0.73		0.9	1910	1100	795	0.89
	1	1670	1085	669	0.75		1	1875	1125	809	0.91
	1.1	1630	1110	684	0.77		1.1	1835	1145	824	0.93
	1.2	1580	1135	699	0.79		1.2	1795	1170	840	0.95
	1.3	1535	1165	716	0.81		1.3	1745	1195	857	0.97
	1.4	1490	1190	731	0.83		1.4	1705	1220	874	0.99
	1.5	1435	1220	748	0.85		1.5	1655	1250	892	1.01
	1.6	1385	1245	763	0.87		1.6	1610	1275	909	1.03
	1.7	1350	1270	776	0.88		1.7	1575	1295	923	1.05
T4	0.8	1485	975	491	0.55	T4'	0.8	1705	1015	607	0.68
	0.9	1440	1005	504	0.56		0.9	1665	1045	621	0.70
	1	1390	1035	518	0.58		1	1615	1075	635	0.72
	1.1	1340	1065	532	0.60		1.1	1570	1100	651	0.73
	1.2	1290	1095	546	0.62		1.2	1525	1125	665	0.75
	1.3	1240	1125	560	0.63		1.3	1475	1155	681	0.77
	1.4	1195	1155	573	0.65		1.4	1430	1185	696	0.79
	1.5	1150	1185	587	0.67		1.5	1375	1215	713	0.81
	1.6	1100	1205	597	0.68		1.6	1325	1240	727	0.83
	1.7	1050	1235	611	0.69		1.7	1290	1260	740	0.84
T5	0.8	1880	1060	726	0.81	T5'	0.8	2060	1110	885	0.99
	0.9	1845	1085	741	0.83		0.9	2025	1135	901	1.01
	1	1800	1110	755	0.85		1	1995	1155	915	1.03
	1.1	1765	1135	771	0.87		1.1	1960	1175	930	1.05
	1.2	1720	1155	786	0.89		1.2	1920	1195	945	1.06
	1.3	1670	1185	803	0.91		1.3	1880	1220	962	1.09
	1.4	1630	1210	819	0.93		1.4	1840	1240	979	1.10
	1.5	1575	1240	837	0.95		1.5	1800	1265	996	1.13
	1.6	1525	1265	854	0.97		1.6	1750	1290	1014	1.15
	1.7	1490	1285	867	0.98		1.7	1715	1315	1030	1.17
1.8	1440	1315	884	1.01	1.8	1670	1340	1050	1.19		

3 Ton - 80K ULN - Horizontal

SPEED TAP	EXTERNAL STATIC PRESSURE (ESP) in w. c.	STANDARD CFM	RPM	WATTS	BHP	SPEED TAP	EXTERNAL STATIC PRESSURE (ESP) in w. c.	STANDARD CFM	RPM	WATTS	BHP
T1	0.8	1345	910	402	0.44	T1'	0.8	1590	950	505	0.56
	0.9	1290	940	413	0.46		0.9	1545	980	519	0.58
	1	1240	975	426	0.47		1	1490	1010	533	0.60
	1.1	1185	1005	439	0.49		1.1	1440	1035	547	0.61
	1.2	1130	1035	451	0.50		1.2	1390	1065	560	0.63
	1.3	1080	1065	464	0.52		1.3	1340	1095	575	0.65
	1.4	1035	1090	474	0.53		1.4	1295	1120	588	0.66
	1.5	1000	1120	484	0.54		1.5	1245	1150	602	0.68
	1.6	950	1135	490	0.55		1.6	1195	1170	613	0.69
	1.7	890	1170	505	0.57		1.7	1150	1195	627	0.71
1.8	845	1190	515	0.58	1.8	1095	1225	638	0.72		
T2	0.8	1390	920	419	0.46	T2'	0.8	1630	960	526	0.58
	0.9	1340	950	431	0.48		0.9	1585	985	539	0.60
	1	1285	980	444	0.49		1	1530	1015	553	0.62
	1.1	1230	1015	457	0.51		1.1	1485	1040	567	0.63
	1.2	1180	1040	469	0.52		1.2	1435	1070	581	0.65
	1.3	1130	1070	482	0.54		1.3	1385	1100	597	0.67
	1.4	1080	1095	494	0.55		1.4	1340	1125	609	0.69
	1.5	1045	1125	504	0.57		1.5	1285	1155	625	0.70
	1.6	995	1140	511	0.58		1.6	1235	1175	636	0.72
	1.7	940	1175	527	0.59		1.7	1190	1200	649	0.73
1.8	890	1200	535	0.61	1.8	1140	1230	662	0.75		
T3	0.8	1800	995	621	0.69	T3'	0.8	2000	1035	757	0.84
	0.9	1760	1020	634	0.71		0.9	1960	1060	771	0.86
	1	1710	1045	649	0.73		1	1920	1085	785	0.88
	1.1	1670	1070	663	0.74		1.1	1880	1105	799	0.89
	1.2	1620	1095	678	0.76		1.2	1840	1130	815	0.91
	1.3	1575	1125	695	0.78		1.3	1790	1155	831	0.93
	1.4	1525	1150	709	0.80		1.4	1750	1175	848	0.95
	1.5	1470	1175	726	0.82		1.5	1695	1205	865	0.98
	1.6	1420	1200	740	0.83		1.6	1650	1230	882	1.00
	1.7	1385	1225	753	0.85		1.7	1615	1250	895	1.01
1.8	1325	1250	767	0.87	1.8	1560	1280	913	1.04		
T4	0.8	1520	940	476	0.53	T4'	0.8	1750	980	589	0.65
	0.9	1475	970	489	0.54		0.9	1705	1010	602	0.67
	1	1425	1000	502	0.56		1	1655	1035	616	0.69
	1.1	1375	1030	516	0.58		1.1	1610	1060	631	0.71
	1.2	1320	1055	530	0.59		1.2	1565	1085	645	0.72
	1.3	1270	1085	543	0.61		1.3	1510	1115	661	0.74
	1.4	1225	1115	556	0.63		1.4	1465	1145	675	0.76
	1.5	1180	1145	569	0.64		1.5	1410	1170	692	0.78
	1.6	1130	1165	579	0.65		1.6	1360	1195	705	0.80
	1.7	1075	1190	593	0.67		1.7	1320	1215	718	0.81
1.8	1030	1215	604	0.68	1.8	1265	1245	731	0.83		
T5	0.8	1925	1025	704	0.79	T5'	0.8	2110	1070	858	0.95
	0.9	1890	1045	719	0.80		0.9	2075	1095	874	0.97
	1	1845	1070	732	0.82		1	2045	1115	888	0.99
	1.1	1810	1095	748	0.84		1.1	2010	1135	902	1.01
	1.2	1765	1115	762	0.85		1.2	1970	1155	917	1.03
	1.3	1710	1145	779	0.88		1.3	1925	1175	933	1.05
	1.4	1670	1170	794	0.90		1.4	1885	1195	950	1.06
	1.5	1615	1195	812	0.92		1.5	1845	1220	966	1.09
	1.6	1565	1220	828	0.93		1.6	1795	1245	984	1.11
	1.7	1525	1240	841	0.95		1.7	1760	1270	999	1.13
1.8	1475	1270	857	0.97	1.8	1710	1295	1019	1.15		

3 Ton - 100K ULN - Downshot

SPEED TAP	EXTERNAL STATIC PRESSURE (ESP) in w. c.	STANDARD CFM	RPM	WATTS	BHP	SPEED TAP	EXTERNAL STATIC PRESSURE (ESP) in w. c.	STANDARD CFM	RPM	WATTS	BHP
T1	0.8	740	870	227	0.24	T1'	0.8	1090	915	331	0.37
	0.9	680	905	236	0.25		0.9	1035	945	342	0.38
	1	625	940	245	0.26		1	980	980	354	0.39
	1.1	-	-	-	-		1.1	920	1015	366	0.41
	1.2	-	-	-	-		1.2	870	1050	378	0.42
	1.3	-	-	-	-		1.3	825	1080	387	0.43
	1.4	-	-	-	-		1.4	780	1105	396	0.44
	1.5	-	-	-	-		1.5	760	1125	400	0.45
	1.6	-	-	-	-		1.6	710	1135	401	0.45
	1.7	-	-	-	-		1.7	640	1190	421	0.48
1.8	-	-	-	-	1.8	605	1210	427	0.48		
T2	0.8	1355	955	432	0.48	T2'	0.8	1590	995	542	0.61
	0.9	1305	985	444	0.50		0.9	1545	1020	556	0.62
	1	1255	1015	458	0.51		1	1495	1050	570	0.64
	1.1	1200	1050	471	0.53		1.1	1450	1080	585	0.66
	1.2	1150	1080	484	0.54		1.2	1400	1110	599	0.68
	1.3	1100	1110	497	0.56		1.3	1350	1140	615	0.69
	1.4	1055	1135	509	0.57		1.4	1305	1165	628	0.71
	1.5	1020	1165	520	0.59		1.5	1255	1195	644	0.73
	1.6	970	1180	527	0.60		1.6	1205	1220	656	0.74
	1.7	915	1220	543	0.62		1.7	1160	1245	669	0.76
1.8	870	1245	552	0.63	1.8	1110	1275	682	0.78		
T3	0.8	1025	905	309	0.34	T3'	0.8	1260	940	394	0.44
	0.9	970	935	320	0.35		0.9	1210	970	406	0.45
	1	915	970	332	0.36		1	1160	1005	419	0.47
	1.1	855	1005	343	0.38		1.1	1105	1035	432	0.48
	1.2	800	1045	354	0.39		1.2	1050	1070	445	0.50
	1.3	755	1075	363	0.40		1.3	1005	1100	456	0.51
	1.4	715	1095	371	0.41		1.4	960	1125	467	0.52
	1.5	700	1115	374	0.42		1.5	925	1150	476	0.54
	1.6	650	1125	373	0.42		1.6	875	1165	481	0.54
	1.7	-	-	-	-		1.7	815	1210	498	0.56
1.8	-	-	-	-	1.8	775	1230	506	0.57		
T4	0.8	1485	975	491	0.55	T4'	0.8	1705	1015	607	0.68
	0.9	1440	1005	504	0.56		0.9	1665	1045	621	0.70
	1	1390	1035	518	0.58		1	1615	1075	635	0.72
	1.1	1340	1065	532	0.60		1.1	1570	1100	651	0.73
	1.2	1290	1095	546	0.62		1.2	1525	1125	665	0.75
	1.3	1240	1125	560	0.63		1.3	1475	1155	681	0.77
	1.4	1195	1155	573	0.65		1.4	1430	1185	696	0.79
	1.5	1150	1185	587	0.67		1.5	1375	1215	713	0.81
	1.6	1100	1205	597	0.68		1.6	1325	1240	727	0.83
	1.7	1050	1235	611	0.69		1.7	1290	1260	740	0.84
1.8	1005	1260	623	0.71	1.8	1235	1290	754	0.86		
T5	0.8	1140	920	349	0.39	T5'	0.8	1375	955	442	0.49
	0.9	1085	950	360	0.40		0.9	1330	985	454	0.51
	1	1035	985	372	0.41		1	1280	1020	468	0.52
	1.1	975	1020	384	0.43		1.1	1225	1050	481	0.54
	1.2	920	1055	396	0.44		1.2	1175	1080	494	0.56
	1.3	875	1085	406	0.45		1.3	1125	1115	508	0.57
	1.4	835	1110	416	0.46		1.4	1080	1140	520	0.59
	1.5	810	1135	422	0.48		1.5	1040	1165	531	0.60
	1.6	760	1145	424	0.48		1.6	990	1185	539	0.61
	1.7	695	1195	443	0.50		1.7	935	1220	554	0.63
1.8	655	1215	450	0.51	1.8	890	1245	564	0.64		

3 Ton - 100K ULN - Horizontal

SPEED TAP	EXTERNAL STATIC PRESSURE (ESP) in w. c.	STANDARD CFM	RPM	WATTS	BHP	SPEED TAP	EXTERNAL STATIC PRESSURE (ESP) in w. c.	STANDARD CFM	RPM	WATTS	BHP
T1	0.8	760	840	220	0.23	T1'	0.8	1115	885	321	0.35
	0.9	695	875	229	0.24		0.9	1060	910	332	0.36
	1	640	905	238	0.25		1	1005	945	343	0.38
	1.1	-	-	-	-		1.1	945	980	355	0.39
	1.2	-	-	-	-		1.2	890	1015	367	0.41
	1.3	-	-	-	-		1.3	845	1040	375	0.42
	1.4	-	-	-	-		1.4	800	1065	384	0.43
	1.5	-	-	-	-		1.5	780	1085	388	0.43
	1.6	-	-	-	-		1.6	730	1095	389	0.44
	1.7	-	-	-	-		1.7	655	1150	408	0.46
1.8	-	-	-	-	1.8	620	1170	414	0.47		
T2	0.8	1390	920	419	0.46	T2'	0.8	1630	960	526	0.58
	0.9	1340	950	431	0.48		0.9	1585	985	539	0.60
	1	1285	980	444	0.49		1	1530	1015	553	0.62
	1.1	1230	1015	457	0.51		1.1	1485	1040	567	0.63
	1.2	1180	1040	469	0.52		1.2	1435	1070	581	0.65
	1.3	1130	1070	482	0.54		1.3	1385	1100	597	0.67
	1.4	1080	1095	494	0.55		1.4	1340	1125	609	0.69
	1.5	1045	1125	504	0.57		1.5	1285	1155	625	0.70
	1.6	995	1140	511	0.58		1.6	1235	1175	636	0.72
	1.7	940	1175	527	0.59		1.7	1190	1200	649	0.73
1.8	890	1200	535	0.61	1.8	1140	1230	662	0.75		
T3	0.8	1050	875	300	0.33	T3'	0.8	1290	905	382	0.42
	0.9	995	900	310	0.34		0.9	1240	935	394	0.44
	1	940	935	322	0.35		1	1190	970	406	0.45
	1.1	875	970	333	0.36		1.1	1135	1000	419	0.47
	1.2	820	1010	343	0.38		1.2	1075	1035	432	0.48
	1.3	775	1035	352	0.39		1.3	1030	1060	442	0.49
	1.4	735	1055	360	0.40		1.4	985	1085	453	0.51
	1.5	715	1075	363	0.40		1.5	950	1110	462	0.52
	1.6	665	1085	362	0.41		1.6	895	1125	467	0.52
	1.7	-	-	-	-		1.7	835	1170	483	0.55
1.8	-	-	-	-	1.8	795	1185	491	0.55		
T4	0.8	1520	940	476	0.53	T4'	0.8	1750	980	589	0.65
	0.9	1475	970	489	0.54		0.9	1705	1010	602	0.67
	1	1425	1000	502	0.56		1	1655	1035	616	0.69
	1.1	1375	1030	516	0.58		1.1	1610	1060	631	0.71
	1.2	1320	1055	530	0.59		1.2	1565	1085	645	0.72
	1.3	1270	1085	543	0.61		1.3	1510	1115	661	0.74
	1.4	1225	1115	556	0.63		1.4	1465	1145	675	0.76
	1.5	1180	1145	569	0.64		1.5	1410	1170	692	0.78
	1.6	1130	1165	579	0.65		1.6	1360	1195	705	0.80
	1.7	1075	1190	593	0.67		1.7	1320	1215	718	0.81
1.8	1030	1215	604	0.68	1.8	1265	1245	731	0.83		
T5	0.8	1170	890	339	0.37	T5'	0.8	1410	920	429	0.47
	0.9	1110	915	349	0.38		0.9	1365	950	440	0.49
	1	1060	950	361	0.40		1	1310	985	454	0.51
	1.1	1000	985	372	0.41		1.1	1255	1015	467	0.52
	1.2	945	1020	384	0.43		1.2	1205	1040	479	0.53
	1.3	895	1045	394	0.44		1.3	1155	1075	493	0.55
	1.4	855	1070	404	0.45		1.4	1105	1100	504	0.57
	1.5	830	1095	409	0.46		1.5	1065	1125	515	0.58
	1.6	780	1105	411	0.46		1.6	1015	1145	523	0.59
	1.7	710	1155	430	0.48		1.7	960	1175	537	0.60
1.8	670	1170	437	0.49	1.8	910	1200	547	0.62		

4 Ton - 80K ULN - Downshot

SPEED TAP	EXTERNAL STATIC PRESSURE (ESP) in w. c.	STANDARD CFM	RPM	WATTS	BHP
T1	0.1	1075	575	137	0.05
	0.2	1015	615	144	0.06
	0.3	960	655	154	0.06
	0.4	925	705	162	0.07
	0.5	840	745	173	0.07
	0.6	-	-	-	-
	0.7	-	-	-	-
	0.8	-	-	-	-
T2	0.1	1720	800	412	0.45
	0.2	1670	830	423	0.47
	0.3	1625	855	437	0.48
	0.4	1580	885	453	0.50
	0.5	1535	915	465	0.51
	0.6	1490	945	480	0.53
	0.7	1440	975	491	0.55
	0.8	1395	1005	508	0.56
T3	0.1	1460	705	280	0.30
	0.2	1405	740	289	0.31
	0.3	1355	770	301	0.32
	0.4	1315	810	315	0.34
	0.5	1255	840	325	0.35
	0.6	1190	875	338	0.37
	0.7	1130	910	348	0.38
	0.8	1070	945	362	0.40
T4	0.1	1830	840	479	0.53
	0.2	1780	865	492	0.54
	0.3	1735	895	506	0.56
	0.4	1695	920	524	0.58
	0.5	1655	945	536	0.59
	0.6	1610	975	551	0.61
	0.7	1570	1005	564	0.63
	0.8	1525	1035	581	0.65
T5	0.1	1955	885	571	0.63
	0.2	1910	915	586	0.65
	0.3	1870	940	601	0.67
	0.4	1825	965	619	0.69
	0.5	1790	990	633	0.71
	0.6	1755	1015	649	0.72
	0.7	1715	1040	662	0.74
	0.8	1675	1065	679	0.76

4 Ton - 80K ULN - Horizontal

SPEED TAP	EXTERNAL STATIC PRESSURE (ESP) in w. c.	STANDARD CFM	RPM	WATTS	BHP
T1	0.1	1125	545	130	0.05
	0.2	1060	585	137	0.06
	0.3	1005	620	146	0.06
	0.4	965	670	154	0.06
	0.5	880	710	164	0.07
	0.6	-	-	-	-
	0.7	-	-	-	-
	0.8	-	-	-	-
T2	0.1	1795	760	391	0.43
	0.2	1745	790	402	0.44
	0.3	1700	810	415	0.45
	0.4	1650	840	430	0.47
	0.5	1605	870	442	0.49
	0.6	1555	900	456	0.51
	0.7	1505	925	466	0.52
	0.8	1460	955	483	0.54
T3	0.1	1525	670	266	0.28
	0.2	1470	705	275	0.30
	0.3	1415	730	286	0.31
	0.4	1375	770	299	0.32
	0.5	1310	800	309	0.34
	0.6	1245	830	321	0.35
	0.7	1180	865	331	0.36
	0.8	1120	900	344	0.38
T4	0.1	1910	800	455	0.50
	0.2	1860	820	467	0.52
	0.3	1815	850	481	0.53
	0.4	1770	875	498	0.55
	0.5	1730	900	509	0.57
	0.6	1680	925	523	0.58
	0.7	1640	955	536	0.60
	0.8	1595	985	552	0.62
T5	0.1	2045	840	542	0.60
	0.2	1995	870	557	0.62
	0.3	1955	895	571	0.64
	0.4	1905	915	588	0.65
	0.5	1870	940	601	0.67
	0.6	1835	965	617	0.69
	0.7	1790	990	629	0.71
	0.8	1750	1010	645	0.72

4 Ton - 100K ULN - Downshot

SPEED TAP	EXTERNAL STATIC PRESSURE (ESP) in w. c.	STANDARD CFM	RPM	WATTS	BHP
T1	0.1	1075	575	137	0.14
	0.2	1015	615	144	0.15
	0.3	960	655	154	0.16
	0.4	925	705	162	0.17
	0.5	840	745	173	0.18
	0.6	-	-	-	-
	0.7	-	-	-	-
	0.8	-	-	-	-
T2	0.1	1720	800	412	0.45
	0.2	1670	830	423	0.47
	0.3	1625	855	437	0.48
	0.4	1580	885	453	0.50
	0.5	1535	915	465	0.51
	0.6	1490	945	480	0.53
	0.7	1440	975	491	0.55
	0.8	1395	1005	508	0.56
T3	0.1	1475	715	288	0.31
	0.2	1425	745	298	0.32
	0.3	1375	780	310	0.33
	0.4	1335	815	324	0.35
	0.5	1275	845	334	0.36
	0.6	1215	880	347	0.38
	0.7	1150	915	357	0.39
	0.8	1095	950	371	0.41
T4	0.1	1830	840	479	0.53
	0.2	1780	865	492	0.54
	0.3	1735	895	506	0.56
	0.4	1695	920	524	0.58
	0.5	1655	945	536	0.59
	0.6	1610	975	551	0.61
	0.7	1570	1005	564	0.63
	0.8	1525	1035	581	0.65
T5	0.1	1895	865	524	0.58
	0.2	1850	890	538	0.60
	0.3	1805	915	553	0.61
	0.4	1760	940	570	0.63
	0.5	1725	970	584	0.65
	0.6	1685	995	599	0.67
	0.7	1645	1020	612	0.68
	0.8	1605	1050	629	0.70

4 Ton - 100K ULN - Horizontal

SPEED TAP	EXTERNAL STATIC PRESSURE (ESP) in w. c.	STANDARD CFM	RPM	WATTS	BHP
T1	0.1	1125	545	130	0.13
	0.2	1060	585	137	0.14
	0.3	1005	620	146	0.15
	0.4	965	670	154	0.16
	0.5	880	710	164	0.17
	0.6	-	-	-	-
	0.7	-	-	-	-
	0.8	-	-	-	-
T2	0.1	1795	760	391	0.43
	0.2	1745	790	402	0.44
	0.3	1700	810	415	0.45
	0.4	1650	840	430	0.47
	0.5	1605	870	442	0.49
	0.6	1555	900	456	0.51
	0.7	1505	925	466	0.52
	0.8	1460	955	483	0.54
T3	0.1	1540	680	274	0.29
	0.2	1490	710	283	0.30
	0.3	1435	740	295	0.32
	0.4	1395	775	308	0.33
	0.5	1330	805	317	0.34
	0.6	1270	835	330	0.36
	0.7	1200	870	339	0.37
	0.8	1145	905	352	0.39
T4	0.1	1910	800	455	0.50
	0.2	1860	820	467	0.52
	0.3	1815	850	481	0.53
	0.4	1770	875	498	0.55
	0.5	1730	900	509	0.57
	0.6	1680	925	523	0.58
	0.7	1640	955	536	0.60
	0.8	1595	985	552	0.62
T5	0.1	1980	820	498	0.55
	0.2	1935	845	511	0.57
	0.3	1885	870	525	0.58
	0.4	1840	895	542	0.60
	0.5	1805	920	555	0.62
	0.6	1760	945	569	0.63
	0.7	1720	970	581	0.65
	0.8	1675	1000	598	0.67

4 Ton - 80K ULN - Downshot

SPEED TAP	EXTERNAL STATIC PRESSURE (ESP) in w. c.	STANDARD CFM	RPM	WATTS	BHP
T1	0.1	1205	620	179	0.18
	0.2	1145	655	187	0.19
	0.3	1090	695	198	0.21
	0.4	1055	735	208	0.22
	0.5	980	780	218	0.23
	0.6	895	815	228	0.24
	0.7	815	855	237	0.25
	0.8	-	-	-	-
T2	0.1	1720	800	412	0.45
	0.2	1670	830	423	0.47
	0.3	1625	855	437	0.48
	0.4	1580	885	453	0.50
	0.5	1535	915	465	0.51
	0.6	1490	945	480	0.53
	0.7	1440	975	491	0.55
	0.8	1395	1005	508	0.56
T3	0.1	1460	705	280	0.30
	0.2	1405	740	289	0.31
	0.3	1355	770	301	0.32
	0.4	1315	810	315	0.34
	0.5	1255	840	325	0.35
	0.6	1190	875	338	0.37
	0.7	1130	910	348	0.38
	0.8	1070	945	362	0.40
T4	0.1	1830	840	479	0.53
	0.2	1780	865	492	0.54
	0.3	1735	895	506	0.56
	0.4	1695	920	524	0.58
	0.5	1655	945	536	0.59
	0.6	1610	975	551	0.61
	0.7	1570	1005	564	0.63
	0.8	1525	1035	581	0.65
T5	0.1	1895	865	524	0.58
	0.2	1850	890	538	0.60
	0.3	1805	915	553	0.61
	0.4	1760	940	570	0.63
	0.5	1725	970	584	0.65
	0.6	1685	995	599	0.67
	0.7	1645	1020	612	0.68
	0.8	1605	1050	629	0.70

4 Ton - 80K ULN - Horizontal

SPEED TAP	EXTERNAL STATIC PRESSURE (ESP) in w. c.	STANDARD CFM	RPM	WATTS	BHP
T1	0.1	1260	590	170	0.17
	0.2	1195	620	178	0.18
	0.3	1140	660	188	0.19
	0.4	1100	700	198	0.21
	0.5	1025	740	207	0.22
	0.6	935	775	217	0.23
	0.7	850	810	225	0.24
	0.8	-	-	-	-
T2	0.1	1795	760	391	0.43
	0.2	1745	790	402	0.44
	0.3	1700	810	415	0.45
	0.4	1650	840	430	0.47
	0.5	1605	870	442	0.49
	0.6	1555	900	456	0.51
	0.7	1505	925	466	0.52
	0.8	1460	955	483	0.54
T3	0.1	1525	670	266	0.28
	0.2	1470	705	275	0.30
	0.3	1415	730	286	0.31
	0.4	1375	770	299	0.32
	0.5	1310	800	309	0.34
	0.6	1245	830	321	0.35
	0.7	1180	865	331	0.36
	0.8	1120	900	344	0.38
T4	0.1	1910	800	455	0.50
	0.2	1860	820	467	0.52
	0.3	1815	850	481	0.53
	0.4	1770	875	498	0.55
	0.5	1730	900	509	0.57
	0.6	1680	925	523	0.58
	0.7	1640	955	536	0.60
	0.8	1595	985	552	0.62
T5	0.1	1980	820	498	0.55
	0.2	1935	845	511	0.57
	0.3	1885	870	525	0.58
	0.4	1840	895	542	0.60
	0.5	1805	920	555	0.62
	0.6	1760	945	569	0.63
	0.7	1720	970	581	0.65
	0.8	1675	1000	598	0.67

4 Ton - 100K ULN - Downshot

SPEED TAP	EXTERNAL STATIC PRESSURE (ESP) in w. c.	STANDARD CFM	RPM	WATTS	BHP
T1	0.1	1205	620	179	0.18
	0.2	1145	655	187	0.19
	0.3	1090	695	198	0.21
	0.4	1055	735	208	0.22
	0.5	980	780	218	0.23
	0.6	895	815	228	0.24
	0.7	815	855	237	0.25
	0.8	-	-	-	-
T2	0.1	1720	800	412	0.45
	0.2	1670	830	423	0.47
	0.3	1625	855	437	0.48
	0.4	1580	885	453	0.50
	0.5	1535	915	465	0.51
	0.6	1490	945	480	0.53
	0.7	1440	975	491	0.55
	0.8	1395	1005	508	0.56
T3	0.1	1475	715	288	0.31
	0.2	1425	745	298	0.32
	0.3	1375	780	310	0.33
	0.4	1335	815	324	0.35
	0.5	1275	845	334	0.36
	0.6	1215	880	347	0.38
	0.7	1150	915	357	0.39
	0.8	1095	950	371	0.41
T4	0.1	1830	840	479	0.53
	0.2	1780	865	492	0.54
	0.3	1735	895	506	0.56
	0.4	1695	920	524	0.58
	0.5	1655	945	536	0.59
	0.6	1610	975	551	0.61
	0.7	1570	1005	564	0.63
	0.8	1525	1035	581	0.65
T5	0.1	1895	865	524	0.58
	0.2	1850	890	538	0.60
	0.3	1805	915	553	0.61
	0.4	1760	940	570	0.63
	0.5	1725	970	584	0.65
	0.6	1685	995	599	0.67
	0.7	1645	1020	612	0.68
	0.8	1605	1050	629	0.70

4 Ton - 100K ULN - Horizontal

SPEED TAP	EXTERNAL STATIC PRESSURE (ESP) in w. c.	STANDARD CFM	RPM	WATTS	BHP
T1	0.1	1260	590	170	0.17
	0.2	1195	620	178	0.18
	0.3	1140	660	188	0.19
	0.4	1100	700	198	0.21
	0.5	1025	740	207	0.22
	0.6	935	775	217	0.23
	0.7	850	810	225	0.24
	0.8	-	-	-	-
T2	0.1	1795	760	391	0.43
	0.2	1745	790	402	0.44
	0.3	1700	810	415	0.45
	0.4	1650	840	430	0.47
	0.5	1605	870	442	0.49
	0.6	1555	900	456	0.51
	0.7	1505	925	466	0.52
	0.8	1460	955	483	0.54
T3	0.1	1540	680	274	0.29
	0.2	1490	710	283	0.30
	0.3	1435	740	295	0.32
	0.4	1395	775	308	0.33
	0.5	1330	805	317	0.34
	0.6	1270	835	330	0.36
	0.7	1200	870	339	0.37
	0.8	1145	905	352	0.39
T4	0.1	1910	800	455	0.50
	0.2	1860	820	467	0.52
	0.3	1815	850	481	0.53
	0.4	1770	875	498	0.55
	0.5	1730	900	509	0.57
	0.6	1680	925	523	0.58
	0.7	1640	955	536	0.60
	0.8	1595	985	552	0.62
T5	0.1	1980	820	498	0.55
	0.2	1935	845	511	0.57
	0.3	1885	870	525	0.58
	0.4	1840	895	542	0.60
	0.5	1805	920	555	0.62
	0.6	1760	945	569	0.63
	0.7	1720	970	581	0.65
	0.8	1675	1000	598	0.67

4 Ton - 80K ULN - Downshot

SPEED TAP	EXTERNAL STATIC PRESSURE (ESP) in w. c.	STANDARD CFM	RPM	WATTS	BHP
T1	0.1	1230	640	191	0.20
	0.2	1190	665	200	0.21
	0.3	1115	705	210	0.22
	0.4	1070	750	215	0.24
	0.5	1020	780	231	0.25
	0.6	965	820	240	0.26
	0.7	900	870	253	0.27
	0.8	835	895	261	0.28
T2	0.1	1735	805	412	0.45
	0.2	1705	830	423	0.47
	0.3	1635	860	438	0.48
	0.4	1600	890	449	0.50
	0.5	1570	910	459	0.51
	0.6	1520	940	476	0.53
	0.7	1475	975	488	0.55
	0.8	1425	1000	499	0.56
T3	0.1	1340	675	231	0.25
	0.2	1305	700	241	0.26
	0.3	1230	740	252	0.27
	0.4	1185	780	259	0.28
	0.5	1140	805	273	0.29
	0.6	1090	845	284	0.31
	0.7	1025	890	296	0.32
	0.8	970	915	305	0.33
T4	0.1	1815	835	461	0.51
	0.2	1790	860	472	0.52
	0.3	1725	885	488	0.54
	0.4	1690	915	500	0.56
	0.5	1660	935	510	0.57
	0.6	1610	965	527	0.59
	0.7	1570	995	539	0.61
	0.8	1525	1020	551	0.62
T5	0.1	1880	855	502	0.55
	0.2	1855	880	513	0.57
	0.3	1795	905	529	0.59
	0.4	1755	935	542	0.61
	0.5	1730	955	552	0.62
	0.6	1680	985	570	0.64
	0.7	1640	1010	582	0.65
	0.8	1600	1035	594	0.67

4 Ton - 80K ULN - Horizontal

SPEED TAP	EXTERNAL STATIC PRESSURE (ESP) in w. c.	STANDARD CFM	RPM	WATTS	BHP
T1	0.1	1265	610	181	0.19
	0.2	1225	630	190	0.20
	0.3	1150	670	200	0.21
	0.4	1100	715	204	0.22
	0.5	1050	740	219	0.23
	0.6	995	780	228	0.25
	0.7	925	825	240	0.26
	0.8	860	850	248	0.27
T2	0.1	1785	765	391	0.43
	0.2	1755	790	402	0.44
	0.3	1685	815	416	0.46
	0.4	1650	845	427	0.47
	0.5	1615	865	436	0.49
	0.6	1565	895	452	0.50
	0.7	1520	925	464	0.52
	0.8	1470	950	474	0.53
T3	0.1	1380	640	219	0.23
	0.2	1345	665	229	0.24
	0.3	1265	705	239	0.26
	0.4	1220	740	246	0.27
	0.5	1175	765	259	0.28
	0.6	1125	805	270	0.29
	0.7	1055	845	281	0.31
	0.8	1000	870	290	0.32
T4	0.1	1870	795	438	0.48
	0.2	1845	815	448	0.50
	0.3	1775	840	464	0.51
	0.4	1740	870	475	0.53
	0.5	1710	890	485	0.54
	0.6	1660	915	501	0.56
	0.7	1615	945	512	0.58
	0.8	1570	970	523	0.59
T5	0.1	1935	810	477	0.52
	0.2	1910	835	487	0.54
	0.3	1850	860	503	0.56
	0.4	1810	890	515	0.58
	0.5	1780	905	524	0.59
	0.6	1730	935	542	0.61
	0.7	1690	960	553	0.62
	0.8	1650	985	564	0.64

4 Ton - 100K ULN - Downshot

SPEED TAP	EXTERNAL STATIC PRESSURE (ESP) in w. c.	STANDARD CFM	RPM	WATTS	BHP
T1	0.1	1070	585	137	0.14
	0.2	1020	615	146	0.15
	0.3	940	660	154	0.16
	0.4	895	705	158	0.17
	0.5	840	740	175	0.18
	0.6	785	785	182	0.19
	0.7	710	835	196	0.20
	0.8	640	860	202	0.21
T2	0.1	1735	805	412	0.45
	0.2	1705	830	423	0.47
	0.3	1635	860	438	0.48
	0.4	1600	890	449	0.50
	0.5	1570	910	459	0.51
	0.6	1520	940	476	0.53
	0.7	1475	975	488	0.55
	0.8	1425	1000	499	0.56
T3	0.1	1180	625	172	0.18
	0.2	1135	650	182	0.19
	0.3	1055	690	191	0.20
	0.4	1010	735	196	0.21
	0.5	960	765	211	0.22
	0.6	905	805	220	0.23
	0.7	835	855	233	0.25
	0.8	770	885	241	0.26
T4	0.1	1815	835	461	0.51
	0.2	1790	860	472	0.52
	0.3	1725	885	488	0.54
	0.4	1690	915	500	0.56
	0.5	1660	935	510	0.57
	0.6	1610	965	527	0.59
	0.7	1570	995	539	0.61
	0.8	1525	1020	551	0.62
T5	0.1	1880	855	502	0.55
	0.2	1855	880	513	0.57
	0.3	1795	905	529	0.59
	0.4	1755	935	542	0.61
	0.5	1730	955	552	0.62
	0.6	1680	985	570	0.64
	0.7	1640	1010	582	0.65
	0.8	1600	1035	594	0.67

4 Ton - 100K ULN - Horizontal

SPEED TAP	EXTERNAL STATIC PRESSURE (ESP) in w. c.	STANDARD CFM	RPM	WATTS	BHP
T1	0.1	1100	555	130	0.13
	0.2	1050	585	139	0.14
	0.3	970	625	146	0.15
	0.4	920	670	150	0.16
	0.5	865	705	166	0.17
	0.6	810	745	173	0.18
	0.7	730	795	186	0.19
	0.8	660	815	192	0.20
T2	0.1	1785	765	391	0.43
	0.2	1755	790	402	0.44
	0.3	1685	815	416	0.46
	0.4	1650	845	427	0.47
	0.5	1615	865	436	0.49
	0.6	1565	895	452	0.50
	0.7	1520	925	464	0.52
	0.8	1470	950	474	0.53
T3	0.1	1215	595	163	0.17
	0.2	1170	620	173	0.18
	0.3	1085	655	181	0.19
	0.4	1040	700	186	0.20
	0.5	990	725	200	0.21
	0.6	930	765	209	0.22
	0.7	860	810	221	0.24
	0.8	795	840	229	0.24
T4	0.1	1870	795	438	0.48
	0.2	1845	815	448	0.50
	0.3	1775	840	464	0.51
	0.4	1740	870	475	0.53
	0.5	1710	890	485	0.54
	0.6	1660	915	501	0.56
	0.7	1615	945	512	0.58
	0.8	1570	970	523	0.59
T5	0.1	1935	810	477	0.52
	0.2	1910	835	487	0.54
	0.3	1850	860	503	0.56
	0.4	1810	890	515	0.58
	0.5	1780	905	524	0.59
	0.6	1730	935	542	0.61
	0.7	1690	960	553	0.62
	0.8	1650	985	564	0.64

4 Ton - 80K ULN - Downshot

SPEED TAP	EXTERNAL STATIC PRESSURE (ESP) in w. c.	STANDARD CFM	RPM	WATTS	BHP	SPEED TAP	EXTERNAL STATIC PRESSURE (ESP) in w. c.	STANDARD CFM	RPM	WATTS	BHP
T1	0.8	1150	945	373	0.41	T1'	0.8	1325	980	449	0.50
	0.9	1090	980	387	0.43		0.9	1270	1010	465	0.52
	1	1005	1020	399	0.45		1	1200	1050	479	0.54
	1.1	1035	1040	407	0.46		1.1	1195	1070	487	0.55
	1.2	990	1080	422	0.47		1.2	1150	1105	505	0.57
	1.3	975	1110	432	0.49		1.3	1120	1135	516	0.58
	1.4	925	1130	439	0.49		1.4	1080	1155	523	0.59
	1.5	840	1160	453	0.51		1.5	1010	1185	538	0.61
	1.6	800	1185	461	0.52		1.6	970	1210	548	0.62
	1.7	740	1195	464	0.52		1.7	920	1225	552	0.63
1.8	715	1220	477	0.53	1.8	890	1255	567	0.65		
T2	0.8	1770	1070	706	0.79	T2'	0.8	1950	1115	851	0.96
	0.9	1730	1100	726	0.82		0.9	1915	1145	872	0.98
	1	1690	1130	742	0.84		1	1880	1165	889	1.00
	1.1	1640	1150	753	0.85		1.1	1835	1185	900	1.02
	1.2	1590	1180	774	0.88		1.2	1790	1215	921	1.04
	1.3	1540	1205	791	0.89		1.3	1745	1240	940	1.06
	1.4	1500	1230	798	0.91		1.4	1695	1265	949	1.08
	1.5	1465	1255	819	0.93		1.5	1660	1290	974	1.11
	1.6	1425	1275	833	0.95		1.6	1620	1310	990	1.12
	1.7	1395	1300	839	0.97		1.7	1590	1330	997	1.14
1.8	1350	1335	861	0.99	1.8	1545	1365	1021	1.17		
T3	0.8	1660	1045	632	0.71	T3'	0.8	1850	1090	765	0.86
	0.9	1615	1075	651	0.73		0.9	1810	1120	786	0.88
	1	1570	1110	667	0.76		1	1775	1145	802	0.90
	1.1	1525	1130	677	0.77		1.1	1725	1165	813	0.92
	1.2	1475	1160	698	0.79		1.2	1675	1195	834	0.94
	1.3	1430	1190	713	0.81		1.3	1625	1220	852	0.96
	1.4	1390	1210	720	0.82		1.4	1585	1245	860	0.98
	1.5	1350	1235	739	0.84		1.5	1550	1270	882	1.00
	1.6	1315	1255	752	0.85		1.6	1510	1290	897	1.02
	1.7	1275	1280	758	0.87		1.7	1480	1315	904	1.04
1.8	1230	1315	778	0.90	1.8	1435	1350	927	1.07		
T4	0.8	1895	1100	802	0.90	T4'	0.8	2005	1130	902	1.01
	0.9	1855	1130	822	0.93		0.9	1970	1160	923	1.04
	1	1820	1155	839	0.95		1	1935	1180	940	1.06
	1.1	1775	1175	850	0.96		1.1	1900	1195	951	1.07
	1.2	1725	1205	871	0.99		1.2	1855	1225	972	1.10
	1.3	1675	1230	889	1.01		1.3	1810	1250	991	1.12
	1.4	1635	1250	898	1.02		1.4	1760	1275	1002	1.14
	1.5	1595	1275	921	1.04		1.5	1720	1300	1028	1.16
	1.6	1560	1300	937	1.06		1.6	1680	1325	1045	1.19
	1.7	1525	1320	944	1.08		1.7	1650	1340	1052	1.20
1.8	1480	1355	967	1.11	1.8	1605	1375	1076	1.23		
T5	0.8	1785	1075	718	0.81	T5'	0.8	1965	1120	864	0.97
	0.9	1745	1105	738	0.83		0.9	1925	1145	885	0.99
	1	1705	1135	754	0.85		1	1895	1170	901	1.01
	1.1	1655	1150	765	0.86		1.1	1855	1190	913	1.03
	1.2	1605	1185	786	0.89		1.2	1805	1220	934	1.06
	1.3	1560	1210	803	0.91		1.3	1760	1245	953	1.08
	1.4	1520	1230	810	0.93		1.4	1715	1265	962	1.10
	1.5	1480	1255	832	0.94		1.5	1675	1290	987	1.12
	1.6	1445	1280	845	0.96		1.6	1635	1315	1004	1.14
	1.7	1410	1300	852	0.98		1.7	1605	1335	1011	1.16
1.8	1365	1340	874	1.01	1.8	1560	1365	1035	1.18		

4 Ton - 80K ULN - Horizontal

SPEED TAP	EXTERNAL STATIC PRESSURE (ESP) in w. c.	STANDARD CFM	RPM	WATTS	BHP	SPEED TAP	EXTERNAL STATIC PRESSURE (ESP) in w. c.	STANDARD CFM	RPM	WATTS	BHP
T1	0.8	1185	900	354	0.39	T1'	0.8	1365	930	427	0.48
	0.9	1125	930	368	0.41		0.9	1310	960	442	0.49
	1	1035	970	379	0.42		1	1235	1000	455	0.51
	1.1	1065	990	387	0.43		1.1	1230	1015	463	0.52
	1.2	1020	1025	401	0.45		1.2	1185	1050	480	0.54
	1.3	1005	1055	410	0.46		1.3	1155	1080	490	0.56
	1.4	955	1075	417	0.47		1.4	1110	1095	497	0.56
	1.5	865	1100	430	0.48		1.5	1040	1125	511	0.58
	1.6	825	1125	438	0.49		1.6	1000	1150	521	0.59
	1.7	760	1135	441	0.50		1.7	950	1165	524	0.60
1.8	735	1160	453	0.51	1.8	915	1190	539	0.61		
T2	0.8	1825	1015	671	0.75	T2'	0.8	2010	1060	808	0.91
	0.9	1780	1045	690	0.78		0.9	1970	1090	828	0.93
	1	1740	1075	705	0.80		1	1935	1105	845	0.95
	1.1	1690	1095	715	0.81		1.1	1890	1125	855	0.96
	1.2	1640	1120	735	0.83		1.2	1845	1155	875	0.99
	1.3	1585	1145	751	0.85		1.3	1795	1180	893	1.01
	1.4	1545	1170	758	0.87		1.4	1745	1200	902	1.03
	1.5	1510	1190	778	0.88		1.5	1710	1225	925	1.05
	1.6	1470	1210	791	0.90		1.6	1670	1245	941	1.07
	1.7	1435	1235	797	0.92		1.7	1640	1265	947	1.08
1.8	1390	1270	818	0.94	1.8	1590	1295	970	1.11		
T3	0.8	1710	995	600	0.68	T3'	0.8	1905	1035	727	0.82
	0.9	1665	1020	618	0.69		0.9	1865	1065	747	0.84
	1	1615	1055	634	0.72		1	1830	1090	762	0.86
	1.1	1570	1075	643	0.73		1.1	1775	1105	772	0.87
	1.2	1520	1100	663	0.75		1.2	1725	1135	792	0.90
	1.3	1475	1130	677	0.77		1.3	1675	1160	809	0.92
	1.4	1430	1150	684	0.78		1.4	1635	1185	817	0.94
	1.5	1390	1175	702	0.80		1.5	1595	1205	838	0.95
	1.6	1355	1190	714	0.81		1.6	1555	1225	852	0.97
	1.7	1315	1215	720	0.83		1.7	1525	1250	859	0.99
1.8	1265	1250	739	0.85	1.8	1480	1285	881	1.02		
T4	0.8	1950	1045	762	0.86	T4'	0.8	2065	1075	857	0.96
	0.9	1910	1075	781	0.88		0.9	2030	1100	877	0.98
	1	1875	1095	797	0.90		1	1995	1120	893	1.00
	1.1	1830	1115	808	0.91		1.1	1955	1135	903	1.02
	1.2	1775	1145	827	0.94		1.2	1910	1165	923	1.04
	1.3	1725	1170	845	0.96		1.3	1865	1190	941	1.06
	1.4	1685	1190	853	0.97		1.4	1815	1210	952	1.08
	1.5	1645	1210	875	0.99		1.5	1770	1235	977	1.11
	1.6	1605	1235	890	1.01		1.6	1730	1260	993	1.13
	1.7	1570	1255	897	1.03		1.7	1700	1275	999	1.14
1.8	1525	1285	919	1.05	1.8	1655	1305	1022	1.17		
T5	0.8	1840	1020	682	0.77	T5'	0.8	2025	1065	821	0.92
	0.9	1795	1050	701	0.79		0.9	1985	1090	841	0.94
	1	1755	1080	716	0.81		1	1950	1110	856	0.96
	1.1	1705	1095	727	0.82		1.1	1910	1130	867	0.98
	1.2	1655	1125	747	0.85		1.2	1860	1160	887	1.00
	1.3	1605	1150	763	0.86		1.3	1815	1185	905	1.03
	1.4	1565	1170	770	0.88		1.4	1765	1200	914	1.04
	1.5	1525	1190	790	0.89		1.5	1725	1225	938	1.06
	1.6	1490	1215	803	0.91		1.6	1685	1250	954	1.08
	1.7	1450	1235	809	0.93		1.7	1655	1270	960	1.10
1.8	1405	1275	830	0.96	1.8	1605	1295	983	1.12		

4 Ton - 100K ULN - Downshot

SPEED TAP	EXTERNAL STATIC PRESSURE (ESP) in w. c.	STANDARD CFM	RPM	WATTS	BHP	SPEED TAP	EXTERNAL STATIC PRESSURE (ESP) in w. c.	STANDARD CFM	RPM	WATTS	BHP
T1	0.8	1290	970	434	0.48	T1'	0.8	1720	1060	672	0.76
	0.9	1235	1005	449	0.50		0.9	1680	1090	691	0.78
	1	1165	1040	462	0.52		1	1635	1120	707	0.80
	1.1	1165	1065	471	0.53		1.1	1585	1140	717	0.81
	1.2	1120	1100	488	0.55		1.2	1535	1170	739	0.84
	1.3	1090	1130	499	0.56		1.3	1490	1200	754	0.86
	1.4	1050	1150	506	0.57		1.4	1450	1220	762	0.87
	1.5	975	1180	521	0.59		1.5	1410	1245	782	0.89
	1.6	940	1205	530	0.60		1.6	1375	1265	795	0.90
	1.7	885	1215	534	0.61		1.7	1340	1290	801	0.92
1.8	855	1245	549	0.62	1.8	1295	1325	823	0.95		
T2	0.8	1770	1070	706	0.79	T2'	0.8	1950	1115	851	0.96
	0.9	1730	1100	726	0.82		0.9	1915	1145	872	0.98
	1	1690	1130	742	0.84		1	1880	1165	889	1.00
	1.1	1640	1150	753	0.85		1.1	1835	1185	900	1.02
	1.2	1590	1180	774	0.88		1.2	1790	1215	921	1.04
	1.3	1540	1205	791	0.89		1.3	1745	1240	940	1.06
	1.4	1500	1230	798	0.91		1.4	1695	1265	949	1.08
	1.5	1465	1255	819	0.93		1.5	1660	1290	974	1.11
	1.6	1425	1275	833	0.95		1.6	1620	1310	990	1.12
	1.7	1395	1300	839	0.97		1.7	1590	1330	997	1.14
1.8	1350	1335	861	0.99	1.8	1545	1365	1021	1.17		
T3	0.8	1290	970	434	0.48	T3'	0.8	1965	1120	864	0.97
	0.9	1235	1005	449	0.50		0.9	1925	1145	885	0.99
	1	1165	1040	462	0.52		1	1895	1170	901	1.01
	1.1	1165	1065	471	0.53		1.1	1855	1190	913	1.03
	1.2	1120	1100	488	0.55		1.2	1805	1220	934	1.06
	1.3	1090	1130	499	0.56		1.3	1760	1245	953	1.08
	1.4	1050	1150	506	0.57		1.4	1715	1265	962	1.10
	1.5	975	1180	521	0.59		1.5	1675	1290	987	1.12
	1.6	940	1205	530	0.60		1.6	1635	1315	1004	1.14
	1.7	885	1215	534	0.61		1.7	1605	1335	1011	1.16
1.8	855	1245	549	0.62	1.8	1560	1365	1035	1.18		
T4	0.8	1895	1100	802	0.90	T4'	0.8	2005	1130	902	1.01
	0.9	1855	1130	822	0.93		0.9	1970	1160	923	1.04
	1	1820	1155	839	0.95		1	1935	1180	940	1.06
	1.1	1775	1175	850	0.96		1.1	1900	1195	951	1.07
	1.2	1725	1205	871	0.99		1.2	1855	1225	972	1.10
	1.3	1675	1230	889	1.01		1.3	1810	1250	991	1.12
	1.4	1635	1250	898	1.02		1.4	1760	1275	1002	1.14
	1.5	1595	1275	921	1.04		1.5	1720	1300	1028	1.16
	1.6	1560	1300	937	1.06		1.6	1680	1325	1045	1.19
	1.7	1525	1320	944	1.08		1.7	1650	1340	1052	1.20
1.8	1480	1355	967	1.11	1.8	1605	1375	1076	1.23		
T5	0.8	1445	1000	509	0.57	T5'	0.8	2020	1135	915	1.03
	0.9	1395	1035	526	0.59		0.9	1980	1160	936	1.05
	1	1335	1070	541	0.61		1	1950	1180	953	1.07
	1.1	1310	1090	550	0.62		1.1	1915	1200	964	1.09
	1.2	1265	1125	569	0.64		1.2	1870	1230	985	1.11
	1.3	1230	1155	582	0.66		1.3	1825	1255	1004	1.14
	1.4	1190	1175	588	0.67		1.4	1775	1280	1015	1.16
	1.5	1130	1200	605	0.69		1.5	1735	1305	1041	1.18
	1.6	1095	1225	615	0.70		1.6	1695	1325	1059	1.20
	1.7	1050	1245	620	0.71		1.7	1660	1345	1066	1.22
1.8	1010	1275	638	0.73	1.8	1620	1375	1090	1.24		

4 Ton - 100K ULN - Horizontal

SPEED TAP	EXTERNAL STATIC PRESSURE (ESP) in w. c.	STANDARD CFM	RPM	WATTS	BHP	SPEED TAP	EXTERNAL STATIC PRESSURE (ESP) in w. c.	STANDARD CFM	RPM	WATTS	BHP
T1	0.8	1330	920	412	0.46	T1'	0.8	1770	1005	638	0.72
	0.9	1270	955	427	0.48		0.9	1730	1035	656	0.74
	1	1200	990	439	0.49		1	1685	1065	672	0.76
	1.1	1200	1010	447	0.50		1.1	1635	1085	681	0.77
	1.2	1155	1045	464	0.52		1.2	1580	1110	702	0.79
	1.3	1125	1075	474	0.54		1.3	1535	1140	716	0.81
	1.4	1080	1095	481	0.55		1.4	1495	1160	724	0.83
	1.5	1005	1120	495	0.56		1.5	1450	1185	743	0.85
	1.6	970	1145	504	0.57		1.6	1415	1200	755	0.86
	1.7	910	1155	507	0.58		1.7	1380	1225	761	0.87
1.8	880	1185	522	0.59	1.8	1335	1260	782	0.90		
T2	0.8	1825	1015	671	0.75	T2'	0.8	2010	1060	808	0.91
	0.9	1780	1045	690	0.78		0.9	1970	1090	828	0.93
	1	1740	1075	705	0.80		1	1935	1105	845	0.95
	1.1	1690	1095	715	0.81		1.1	1890	1125	855	0.96
	1.2	1640	1120	735	0.83		1.2	1845	1155	875	0.99
	1.3	1585	1145	751	0.85		1.3	1795	1180	893	1.01
	1.4	1545	1170	758	0.87		1.4	1745	1200	902	1.03
	1.5	1510	1190	778	0.88		1.5	1710	1225	925	1.05
	1.6	1470	1210	791	0.90		1.6	1670	1245	941	1.07
	1.7	1435	1235	797	0.92		1.7	1640	1265	947	1.08
1.8	1390	1270	818	0.94	1.8	1590	1295	970	1.11		
T3	0.8	1330	920	412	0.46	T3'	0.8	2025	1065	821	0.92
	0.9	1270	955	427	0.48		0.9	1985	1090	841	0.94
	1	1200	990	439	0.49		1	1950	1110	856	0.96
	1.1	1200	1010	447	0.50		1.1	1910	1130	867	0.98
	1.2	1155	1045	464	0.52		1.2	1860	1160	887	1.00
	1.3	1125	1075	474	0.54		1.3	1815	1185	905	1.03
	1.4	1080	1095	481	0.55		1.4	1765	1200	914	1.04
	1.5	1005	1120	495	0.56		1.5	1725	1225	938	1.06
	1.6	970	1145	504	0.57		1.6	1685	1250	954	1.08
	1.7	910	1155	507	0.58		1.7	1655	1270	960	1.10
1.8	880	1185	522	0.59	1.8	1605	1295	983	1.12		
T4	0.8	1950	1045	762	0.86	T4'	0.8	2065	1075	857	0.96
	0.9	1910	1075	781	0.88		0.9	2030	1100	877	0.98
	1	1875	1095	797	0.90		1	1995	1120	893	1.00
	1.1	1830	1115	808	0.91		1.1	1955	1135	903	1.02
	1.2	1775	1145	827	0.94		1.2	1910	1165	923	1.04
	1.3	1725	1170	845	0.96		1.3	1865	1190	941	1.06
	1.4	1685	1190	853	0.97		1.4	1815	1210	952	1.08
	1.5	1645	1210	875	0.99		1.5	1770	1235	977	1.11
	1.6	1605	1235	890	1.01		1.6	1730	1260	993	1.13
	1.7	1570	1255	897	1.03		1.7	1700	1275	999	1.14
1.8	1525	1285	919	1.05	1.8	1655	1305	1022	1.17		
T5	0.8	1490	950	484	0.54	T5'	0.8	2080	1080	869	0.98
	0.9	1435	985	500	0.56		0.9	2040	1100	889	0.99
	1	1375	1015	514	0.58		1	2010	1120	905	1.01
	1.1	1350	1035	523	0.59		1.1	1970	1140	916	1.03
	1.2	1305	1070	541	0.61		1.2	1925	1170	936	1.06
	1.3	1265	1095	553	0.63		1.3	1880	1190	954	1.08
	1.4	1225	1115	559	0.64		1.4	1830	1215	964	1.10
	1.5	1165	1140	575	0.65		1.5	1785	1240	989	1.12
	1.6	1130	1165	584	0.67		1.6	1745	1260	1006	1.14
	1.7	1080	1185	589	0.68		1.7	1710	1280	1013	1.16
1.8	1040	1210	606	0.69	1.8	1670	1305	1036	1.18		

5 Ton - 80K ULN - Downshot

SPEED TAP	EXTERNAL STATIC PRESSURE (ESP) in w. c.	STANDARD CFM	RPM	WATTS	BHP
T1	0.1	1075	575	137	0.14
	0.2	1015	615	144	0.15
	0.3	960	655	154	0.16
	0.4	925	705	162	0.17
	0.5	840	745	173	0.18
	0.6	-	-	-	-
	0.7	-	-	-	-
	0.8	-	-	-	-
T2	0.1	1915	870	540	0.60
	0.2	1870	895	554	0.61
	0.3	1825	925	569	0.63
	0.4	1785	950	586	0.65
	0.5	1745	975	600	0.67
	0.6	1710	1000	615	0.69
	0.7	1670	1030	629	0.71
	0.8	1625	1055	646	0.72
T3	0.1	1635	770	366	0.40
	0.2	1585	800	377	0.41
	0.3	1540	830	390	0.43
	0.4	1495	860	406	0.44
	0.5	1450	890	417	0.46
	0.6	1395	920	431	0.47
	0.7	1345	955	442	0.49
	0.8	1295	985	458	0.51
T4	0.1	2200	980	799	0.89
	0.2	2155	1005	817	0.91
	0.3	2115	1030	833	0.93
	0.4	2075	1050	850	0.95
	0.5	2040	1075	870	0.97
	0.6	2005	1100	885	0.99
	0.7	1965	1120	903	1.01
	0.8	1925	1140	915	1.03
T5	0.1	2250	1005	860	0.96
	0.2	2205	1025	879	0.98
	0.3	2165	1050	896	1.00
	0.4	2130	1075	913	1.02
	0.5	2090	1095	934	1.04
	0.6	2055	1120	949	1.07
	0.7	2015	1140	950	1.09
	0.8	1970	1155	950	1.10

5 Ton - 80K ULN - Horizontal

SPEED TAP	EXTERNAL STATIC PRESSURE (ESP) in w. c.	STANDARD CFM	RPM	WATTS	BHP
T1	0.1	1125	545	130	0.13
	0.2	1060	585	137	0.14
	0.3	1005	620	146	0.15
	0.4	965	670	154	0.16
	0.5	880	710	164	0.17
	0.6	-	-	-	-
	0.7	-	-	-	-
	0.8	-	-	-	-
T2	0.1	2000	825	513	0.57
	0.2	1955	850	526	0.58
	0.3	1905	880	541	0.60
	0.4	1865	905	557	0.62
	0.5	1825	925	570	0.63
	0.6	1785	950	584	0.65
	0.7	1745	980	598	0.67
	0.8	1700	1000	614	0.69
T3	0.1	1710	730	348	0.38
	0.2	1655	760	358	0.39
	0.3	1610	790	371	0.41
	0.4	1560	815	386	0.42
	0.5	1515	845	396	0.43
	0.6	1460	875	409	0.45
	0.7	1405	905	420	0.47
	0.8	1355	935	435	0.48
T4	0.1	2300	930	759	0.84
	0.2	2250	955	776	0.86
	0.3	2210	980	791	0.89
	0.4	2170	1000	808	0.90
	0.5	2130	1020	827	0.92
	0.6	2095	1045	841	0.95
	0.7	2055	1065	858	0.96
	0.8	2010	1085	869	0.98
T5	0.1	2350	955	817	0.91
	0.2	2305	975	835	0.93
	0.3	2260	1000	851	0.95
	0.4	2225	1020	867	0.97
	0.5	2185	1040	887	0.99
	0.6	2145	1065	902	1.01
	0.7	2105	1085	903	1.03
	0.8	2060	1095	903	1.04

5 Ton - 100K ULN - Downshot

SPEED TAP	EXTERNAL STATIC PRESSURE (ESP) in w. c.	STANDARD CFM	RPM	WATTS	BHP
T1	0.1	1075	575	137	0.14
	0.2	1015	615	144	0.15
	0.3	960	655	154	0.16
	0.4	925	705	162	0.17
	0.5	840	745	173	0.18
	0.6	-	-	-	-
	0.7	-	-	-	-
	0.8	-	-	-	-
T2	0.1	1915	870	540	0.60
	0.2	1870	895	554	0.61
	0.3	1825	925	569	0.63
	0.4	1785	950	586	0.65
	0.5	1745	975	600	0.67
	0.6	1710	1000	615	0.69
	0.7	1670	1030	629	0.71
	0.8	1625	1055	646	0.72
T3	0.1	1860	850	502	0.55
	0.2	1815	880	515	0.57
	0.3	1770	905	530	0.59
	0.4	1730	930	547	0.60
	0.5	1690	960	560	0.62
	0.6	1650	985	576	0.64
	0.7	1610	1015	588	0.66
	0.8	1565	1040	605	0.68
T4	0.1	2200	980	799	0.89
	0.2	2155	1005	817	0.91
	0.3	2115	1030	833	0.93
	0.4	2075	1050	850	0.95
	0.5	2040	1075	870	0.97
	0.6	2005	1100	885	0.99
	0.7	1965	1120	903	1.01
	0.8	1925	1140	915	1.03
T5	0.1	2250	1005	860	0.96
	0.2	2205	1025	879	0.98
	0.3	2165	1050	896	1.00
	0.4	2130	1075	913	1.02
	0.5	2090	1095	934	1.04
	0.6	2055	1120	949	1.07
	0.7	2015	1140	950	1.09
	0.8	1970	1155	950	1.10

5 Ton - 100K ULN - Horizontal

SPEED TAP	EXTERNAL STATIC PRESSURE (ESP) in w. c.	STANDARD CFM	RPM	WATTS	BHP
T1	0.1	1125	545	130	0.13
	0.2	1060	585	137	0.14
	0.3	1005	620	146	0.15
	0.4	965	670	154	0.16
	0.5	880	710	164	0.17
	0.6	-	-	-	-
	0.7	-	-	-	-
	0.8	-	-	-	-
T2	0.1	2000	825	513	0.57
	0.2	1955	850	526	0.58
	0.3	1905	880	541	0.60
	0.4	1865	905	557	0.62
	0.5	1825	925	570	0.63
	0.6	1785	950	584	0.65
	0.7	1745	980	598	0.67
	0.8	1700	1000	614	0.69
T3	0.1	1945	810	477	0.53
	0.2	1895	835	489	0.54
	0.3	1850	860	504	0.56
	0.4	1810	885	520	0.58
	0.5	1765	910	532	0.59
	0.6	1725	935	547	0.61
	0.7	1680	965	559	0.63
	0.8	1635	990	575	0.64
T4	0.1	2300	930	759	0.84
	0.2	2250	955	776	0.86
	0.3	2210	980	791	0.89
	0.4	2170	1000	808	0.90
	0.5	2130	1020	827	0.92
	0.6	2095	1045	841	0.95
	0.7	2055	1065	858	0.96
	0.8	2010	1085	869	0.98
T5	0.1	2350	955	817	0.91
	0.2	2305	975	835	0.93
	0.3	2260	1000	851	0.95
	0.4	2225	1020	867	0.97
	0.5	2185	1040	887	0.99
	0.6	2145	1065	902	1.01
	0.7	2105	1085	903	1.03
	0.8	2060	1095	903	1.04

5 Ton - 80K ULN - Downshot

SPEED TAP	EXTERNAL STATIC PRESSURE (ESP) in w. c.	STANDARD CFM	RPM	WATTS	BHP
T1	0.1	1550	740	322	0.35
	0.2	1500	770	332	0.36
	0.3	1450	800	345	0.37
	0.4	1410	835	359	0.39
	0.5	1355	865	370	0.40
	0.6	1295	900	383	0.42
	0.7	1240	930	394	0.43
	0.8	1185	965	409	0.45
T2	0.1	1915	870	540	0.60
	0.2	1870	895	554	0.61
	0.3	1825	925	569	0.63
	0.4	1785	950	586	0.65
	0.5	1745	975	600	0.67
	0.6	1710	1000	615	0.69
	0.7	1670	1030	629	0.71
	0.8	1625	1055	646	0.72
T3	0.1	1635	770	366	0.40
	0.2	1585	800	377	0.41
	0.3	1540	830	390	0.43
	0.4	1495	860	406	0.44
	0.5	1450	890	417	0.46
	0.6	1395	920	431	0.47
	0.7	1345	955	442	0.49
	0.8	1295	985	458	0.51
T4	0.1	2200	980	799	0.89
	0.2	2155	1005	817	0.91
	0.3	2115	1030	833	0.93
	0.4	2075	1050	850	0.95
	0.5	2040	1075	870	0.97
	0.6	2005	1100	885	0.99
	0.7	1965	1120	903	1.01
	0.8	1925	1140	915	1.03
T5	0.1	2250	1005	860	0.96
	0.2	2205	1025	879	0.98
	0.3	2165	1050	896	1.00
	0.4	2130	1075	913	1.02
	0.5	2090	1095	934	1.04
	0.6	2055	1120	949	1.07
	0.7	2015	1140	950	1.09
	0.8	1970	1155	950	1.10

5 Ton - 80K ULN - Horizontal

SPEED TAP	EXTERNAL STATIC PRESSURE (ESP) in w. c.	STANDARD CFM	RPM	WATTS	BHP
T1	0.1	1620	705	306	0.33
	0.2	1570	730	315	0.34
	0.3	1515	760	328	0.35
	0.4	1475	795	341	0.37
	0.5	1415	820	352	0.38
	0.6	1355	855	364	0.40
	0.7	1295	885	374	0.41
	0.8	1240	915	389	0.43
T2	0.1	2000	825	513	0.57
	0.2	1955	850	526	0.58
	0.3	1905	880	541	0.60
	0.4	1865	905	557	0.62
	0.5	1825	925	570	0.63
	0.6	1785	950	584	0.65
	0.7	1745	980	598	0.67
	0.8	1700	1000	614	0.69
T3	0.1	1710	730	348	0.38
	0.2	1655	760	358	0.39
	0.3	1610	790	371	0.41
	0.4	1560	815	386	0.42
	0.5	1515	845	396	0.43
	0.6	1460	875	409	0.45
	0.7	1405	905	420	0.47
	0.8	1355	935	435	0.48
T4	0.1	2300	930	759	0.84
	0.2	2250	955	776	0.86
	0.3	2210	980	791	0.89
	0.4	2170	1000	808	0.90
	0.5	2130	1020	827	0.92
	0.6	2095	1045	841	0.95
	0.7	2055	1065	858	0.96
	0.8	2010	1085	869	0.98
T5	0.1	2350	955	817	0.91
	0.2	2305	975	835	0.93
	0.3	2260	1000	851	0.95
	0.4	2225	1020	867	0.97
	0.5	2185	1040	887	0.99
	0.6	2145	1065	902	1.01
	0.7	2105	1085	903	1.03
	0.8	2060	1095	903	1.04

5 Ton - 100K ULN - Downshot

SPEED TAP	EXTERNAL STATIC PRESSURE (ESP) in w. c.	STANDARD CFM	RPM	WATTS	BHP
T1	0.1	1550	740	322	0.35
	0.2	1500	770	332	0.36
	0.3	1450	800	345	0.37
	0.4	1410	835	359	0.39
	0.5	1355	865	370	0.40
	0.6	1295	900	383	0.42
	0.7	1240	930	394	0.43
	0.8	1185	965	409	0.45
T2	0.1	1915	870	540	0.60
	0.2	1870	895	554	0.61
	0.3	1825	925	569	0.63
	0.4	1785	950	586	0.65
	0.5	1745	975	600	0.67
	0.6	1710	1000	615	0.69
	0.7	1670	1030	629	0.71
	0.8	1625	1055	646	0.72
T3	0.1	1860	850	502	0.55
	0.2	1815	880	515	0.57
	0.3	1770	905	530	0.59
	0.4	1730	930	547	0.60
	0.5	1690	960	560	0.62
	0.6	1650	985	576	0.64
	0.7	1610	1015	588	0.66
	0.8	1565	1040	605	0.68
T4	0.1	2200	980	799	0.89
	0.2	2155	1005	817	0.91
	0.3	2115	1030	833	0.93
	0.4	2075	1050	850	0.95
	0.5	2040	1075	870	0.97
	0.6	2005	1100	885	0.99
	0.7	1965	1120	903	1.01
	0.8	1925	1140	915	1.03
T5	0.1	2250	1005	860	0.96
	0.2	2205	1025	879	0.98
	0.3	2165	1050	896	1.00
	0.4	2130	1075	913	1.02
	0.5	2090	1095	934	1.04
	0.6	2055	1120	949	1.07
	0.7	2015	1140	950	1.09
	0.8	1970	1155	950	1.10

5 Ton - 100K ULN - Horizontal

SPEED TAP	EXTERNAL STATIC PRESSURE (ESP) in w. c.	STANDARD CFM	RPM	WATTS	BHP
T1	0.1	1620	705	306	0.33
	0.2	1570	730	315	0.34
	0.3	1515	760	328	0.35
	0.4	1475	795	341	0.37
	0.5	1415	820	352	0.38
	0.6	1355	855	364	0.40
	0.7	1295	885	374	0.41
	0.8	1240	915	389	0.43
T2	0.1	2000	825	513	0.57
	0.2	1955	850	526	0.58
	0.3	1905	880	541	0.60
	0.4	1865	905	557	0.62
	0.5	1825	925	570	0.63
	0.6	1785	950	584	0.65
	0.7	1745	980	598	0.67
	0.8	1700	1000	614	0.69
T3	0.1	1945	810	477	0.53
	0.2	1895	835	489	0.54
	0.3	1850	860	504	0.56
	0.4	1810	885	520	0.58
	0.5	1765	910	532	0.59
	0.6	1725	935	547	0.61
	0.7	1680	965	559	0.63
	0.8	1635	990	575	0.64
T4	0.1	2300	930	759	0.84
	0.2	2250	955	776	0.86
	0.3	2210	980	791	0.89
	0.4	2170	1000	808	0.90
	0.5	2130	1020	827	0.92
	0.6	2095	1045	841	0.95
	0.7	2055	1065	858	0.96
	0.8	2010	1085	869	0.98
T5	0.1	2350	955	817	0.91
	0.2	2305	975	835	0.93
	0.3	2260	1000	851	0.95
	0.4	2225	1020	867	0.97
	0.5	2185	1040	887	0.99
	0.6	2145	1065	902	1.01
	0.7	2105	1085	903	1.03
	0.8	2060	1095	903	1.04

5 Ton - 80K ULN - Downshot

SPEED TAP	EXTERNAL STATIC PRESSURE (ESP) in w. c.	STANDARD CFM	RPM	WATTS	BHP
T1	0.1	1255	650	198	0.21
	0.2	1210	675	208	0.22
	0.3	1135	715	218	0.23
	0.4	1090	755	223	0.24
	0.5	1045	785	238	0.25
	0.6	990	825	248	0.27
	0.7	925	870	261	0.28
	0.8	860	900	269	0.29
T2	0.1	1975	890	565	0.63
	0.2	1945	910	576	0.64
	0.3	1890	935	594	0.66
	0.4	1855	965	608	0.68
	0.5	1830	980	617	0.69
	0.6	1780	1010	636	0.71
	0.7	1745	1035	649	0.73
	0.8	1705	1055	660	0.74
T3	0.1	1615	770	351	0.38
	0.2	1585	790	362	0.39
	0.3	1515	825	375	0.41
	0.4	1475	855	385	0.43
	0.5	1440	880	396	0.44
	0.6	1390	910	411	0.45
	0.7	1340	950	423	0.47
	0.8	1290	970	434	0.48
T4	0.1	2180	960	736	0.81
	0.2	2150	980	746	0.83
	0.3	2105	1005	768	0.85
	0.4	2070	1030	784	0.87
	0.5	2050	1045	793	0.89
	0.6	2005	1075	815	0.91
	0.7	1975	1095	828	0.93
	0.8	1935	1115	839	0.94
T5	0.1	2245	980	797	0.88
	0.2	2210	1000	807	0.89
	0.3	2170	1025	830	0.92
	0.4	2135	1050	847	0.94
	0.5	2115	1065	855	0.95
	0.6	2070	1095	878	0.98
	0.7	2040	1115	892	1.00
	0.8	2005	1130	902	1.01

5 Ton - 80K ULN - Horizontal

SPEED TAP	EXTERNAL STATIC PRESSURE (ESP) in w. c.	STANDARD CFM	RPM	WATTS	BHP
T1	0.1	1295	620	188	0.20
	0.2	1245	640	198	0.21
	0.3	1170	680	207	0.22
	0.4	1125	715	212	0.23
	0.5	1075	745	226	0.24
	0.6	1020	785	236	0.25
	0.7	955	825	248	0.27
	0.8	885	855	256	0.28
T2	0.1	2035	845	537	0.60
	0.2	2005	865	547	0.61
	0.3	1945	890	564	0.63
	0.4	1910	915	578	0.64
	0.5	1885	930	586	0.66
	0.6	1835	960	604	0.68
	0.7	1795	985	617	0.69
	0.8	1755	1000	627	0.70
T3	0.1	1665	730	333	0.36
	0.2	1635	750	344	0.37
	0.3	1560	785	356	0.39
	0.4	1520	810	366	0.40
	0.5	1485	835	376	0.42
	0.6	1430	865	390	0.43
	0.7	1380	905	402	0.45
	0.8	1330	920	412	0.46
T4	0.1	2245	910	699	0.77
	0.2	2215	930	709	0.79
	0.3	2170	955	730	0.81
	0.4	2130	980	745	0.83
	0.5	2110	995	753	0.84
	0.6	2065	1020	774	0.86
	0.7	2035	1040	787	0.88
	0.8	1995	1060	797	0.90
T5	0.1	2310	930	757	0.83
	0.2	2275	950	767	0.85
	0.3	2235	975	789	0.87
	0.4	2200	1000	805	0.89
	0.5	2180	1010	812	0.90
	0.6	2130	1040	834	0.93
	0.7	2100	1060	847	0.95
	0.8	2065	1075	857	0.96

5 Ton - 100K ULN - Downshot

SPEED TAP	EXTERNAL STATIC PRESSURE (ESP) in w. c.	STANDARD CFM	RPM	WATTS	BHP
T1	0.1	1125	605	154	0.16
	0.2	1080	630	163	0.17
	0.3	1000	675	172	0.18
	0.4	955	720	176	0.19
	0.5	900	750	193	0.20
	0.6	845	795	201	0.21
	0.7	770	845	214	0.23
	0.8	705	875	221	0.23
T2	0.1	1975	890	565	0.63
	0.2	1945	910	576	0.64
	0.3	1890	935	594	0.66
	0.4	1855	965	608	0.68
	0.5	1830	980	617	0.69
	0.6	1780	1010	636	0.71
	0.7	1745	1035	649	0.73
	0.8	1705	1055	660	0.74
T3	0.1	1180	625	172	0.18
	0.2	1135	650	182	0.19
	0.3	1055	690	191	0.20
	0.4	1010	735	196	0.21
	0.5	960	765	211	0.22
	0.6	905	805	220	0.23
	0.7	835	855	233	0.25
	0.8	770	885	241	0.26
T4	0.1	2180	960	736	0.81
	0.2	2150	980	746	0.83
	0.3	2105	1005	768	0.85
	0.4	2070	1030	784	0.87
	0.5	2050	1045	793	0.89
	0.6	2005	1075	815	0.91
	0.7	1975	1095	828	0.93
	0.8	1935	1115	839	0.94
T5	0.1	2245	980	797	0.88
	0.2	2210	1000	807	0.89
	0.3	2170	1025	830	0.92
	0.4	2135	1050	847	0.94
	0.5	2115	1065	855	0.95
	0.6	2070	1095	878	0.98
	0.7	2040	1115	892	1.00
	0.8	2005	1130	902	1.01

5 Ton - 100K ULN - Horizontal

SPEED TAP	EXTERNAL STATIC PRESSURE (ESP) in w. c.	STANDARD CFM	RPM	WATTS	BHP
T1	0.1	1160	575	146	0.15
	0.2	1110	600	155	0.16
	0.3	1030	640	163	0.17
	0.4	985	685	167	0.18
	0.5	925	715	183	0.19
	0.6	870	755	191	0.20
	0.7	795	805	203	0.21
	0.8	725	830	210	0.22
T2	0.1	2035	845	537	0.60
	0.2	2005	865	547	0.61
	0.3	1945	890	564	0.63
	0.4	1910	915	578	0.64
	0.5	1885	930	586	0.66
	0.6	1835	960	604	0.68
	0.7	1795	985	617	0.69
	0.8	1755	1000	627	0.70
T3	0.1	1215	595	163	0.17
	0.2	1170	620	173	0.18
	0.3	1085	655	181	0.19
	0.4	1040	700	186	0.20
	0.5	990	725	200	0.21
	0.6	930	765	209	0.22
	0.7	860	810	221	0.24
	0.8	795	840	229	0.24
T4	0.1	2245	910	699	0.77
	0.2	2215	930	709	0.79
	0.3	2170	955	730	0.81
	0.4	2130	980	745	0.83
	0.5	2110	995	753	0.84
	0.6	2065	1020	774	0.86
	0.7	2035	1040	787	0.88
	0.8	1995	1060	797	0.90
T5	0.1	2310	930	757	0.83
	0.2	2275	950	767	0.85
	0.3	2235	975	789	0.87
	0.4	2200	1000	805	0.89
	0.5	2180	1010	812	0.90
	0.6	2130	1040	834	0.93
	0.7	2100	1060	847	0.95
	0.8	2065	1075	857	0.96

5 Ton - 80K ULN - Downshot

SPEED TAP	EXTERNAL STATIC PRESSURE (ESP) in w. c.	STANDARD CFM	RPM	WATTS	BHP	SPEED TAP	EXTERNAL STATIC PRESSURE (ESP) in w. c.	STANDARD CFM	RPM	WATTS	BHP
T1	0.8	1630	1080	680	0.69	T1'	0.8	1840	1135	854	0.89
	0.9	1590	1110	697	0.71		0.9	1800	1160	870	0.91
	1	1550	1140	715	0.73		1	1765	1190	890	0.93
	1.1	1510	1170	732	0.75		1.1	1725	1220	909	0.96
	1.2	1465	1195	750	0.77		1.2	1690	1245	928	0.98
	1.3	1420	1225	767	0.79		1.3	1650	1270	947	1.00
	1.4	1370	1255	802	0.81		1.4	1600	1295	973	1.02
	1.5	1315	1280	818	0.82		1.5	1550	1325	990	1.04
	1.6	1255	1315	816	0.84		1.6	1510	1350	1001	1.06
	1.7	1215	1340	831	0.86		1.7	1465	1370	1019	1.08
1.8	1175	1360	845	0.87	1.8	1425	1395	1035	1.10		
T2	0.8	2135	1220	1166	1.23	T2'	0.8	2265	1260	1328	1.40
	0.9	2105	1245	1184	1.25		0.9	2235	1280	1349	1.42
	1	2070	1265	1205	1.27		1	2200	1300	1370	1.44
	1.1	2040	1290	1226	1.30		1.1	2175	1325	1393	1.47
	1.2	2005	1320	1248	1.33		1.2	2140	1350	1415	1.50
	1.3	1970	1340	1269	1.35		1.3	2105	1370	1436	1.52
	1.4	1925	1360	1286	1.37		1.4	2065	1390	1453	1.54
	1.5	1885	1385	1305	1.39		1.5	2030	1410	1473	1.56
	1.6	1855	1405	1328	1.41		1.6	2000	1435	1499	1.59
	1.7	1815	1430	1350	1.44		1.7	1965	1455	1521	1.61
1.8	1775	1450	1370	1.46	1.8	1925	1475	1544	1.63		
T3	0.8	1630	1080	680	0.69	T3'	0.8	1840	1135	854	0.89
	0.9	1590	1110	697	0.71		0.9	1800	1160	870	0.91
	1	1550	1140	715	0.73		1	1765	1190	890	0.93
	1.1	1510	1170	732	0.75		1.1	1725	1220	909	0.96
	1.2	1465	1195	750	0.77		1.2	1690	1245	928	0.98
	1.3	1420	1225	767	0.79		1.3	1650	1270	947	1.00
	1.4	1370	1255	802	0.81		1.4	1600	1295	973	1.02
	1.5	1315	1280	818	0.82		1.5	1550	1325	990	1.04
	1.6	1255	1315	816	0.84		1.6	1510	1350	1001	1.06
	1.7	1215	1340	831	0.86		1.7	1465	1370	1019	1.08
1.8	1175	1360	845	0.87	1.8	1425	1395	1035	1.10		
T4	0.8	2205	1240	1252	1.31	T4'	0.8	2335	1280	1422	1.49
	0.9	2175	1260	1272	1.34		0.9	2305	1295	1443	1.51
	1	2145	1285	1293	1.36		1	2275	1325	1464	1.54
	1.1	2115	1305	1315	1.38		1.1	2245	1345	1487	1.56
	1.2	2080	1335	1337	1.42		1.2	2210	1365	1510	1.59
	1.3	2040	1355	1358	1.44		1.3	2180	1385	1532	1.61
	1.4	2005	1375	1374	1.46		1.4	2140	1405	1548	1.63
	1.5	1970	1395	1394	1.48		1.5	2105	1430	1569	1.66
	1.6	1935	1420	1420	1.51		1.6	2070	1450	1596	1.69
	1.7	1895	1445	1441	1.53		1.7	2035	1470	1619	1.71
1.8	1860	1465	1463	1.55	1.8	2005	1490	1642	1.73		
T5	0.8	1770	1120	794	0.83	T5'	0.8	1970	1170	980	1.03
	0.9	1730	1145	811	0.85		0.9	1935	1195	999	1.05
	1	1695	1175	830	0.87		1	1900	1225	1019	1.08
	1.1	1660	1200	848	0.89		1.1	1865	1250	1038	1.10
	1.2	1615	1230	867	0.91		1.2	1830	1275	1059	1.12
	1.3	1575	1255	885	0.93		1.3	1790	1300	1079	1.14
	1.4	1525	1280	914	0.95		1.4	1745	1325	1100	1.17
	1.5	1475	1305	930	0.96		1.5	1700	1350	1117	1.19
	1.6	1425	1335	937	0.99		1.6	1665	1370	1135	1.21
	1.7	1385	1360	954	1.00		1.7	1620	1395	1154	1.23
1.8	1345	1385	970	1.02	1.8	1580	1420	1173	1.25		

5 Ton - 80K ULN - Horizontal

SPEED TAP	EXTERNAL STATIC PRESSURE (ESP) in w. c.	STANDARD CFM	RPM	WATTS	BHP	SPEED TAP	EXTERNAL STATIC PRESSURE (ESP) in w. c.	STANDARD CFM	RPM	WATTS	BHP
T1	0.8	1680	1030	648	0.66	T1'	0.8	1895	1080	813	0.85
	0.9	1640	1055	664	0.68		0.9	1855	1105	829	0.87
	1	1600	1085	681	0.70		1	1820	1135	848	0.89
	1.1	1555	1115	697	0.72		1.1	1780	1160	866	0.91
	1.2	1510	1140	714	0.73		1.2	1740	1185	884	0.93
	1.3	1465	1165	730	0.75		1.3	1700	1210	902	0.95
	1.4	1410	1195	764	0.77		1.4	1650	1235	927	0.97
	1.5	1355	1220	779	0.78		1.5	1600	1260	943	0.99
	1.6	1295	1250	777	0.80		1.6	1555	1285	953	1.01
	1.7	1250	1275	791	0.82		1.7	1510	1305	970	1.02
1.8	1210	1295	805	0.83	1.8	1470	1330	986	1.04		
T2	0.8	2200	1160	1110	1.17	T2'	0.8	2335	1200	1265	1.33
	0.9	2170	1185	1128	1.19		0.9	2305	1220	1285	1.35
	1	2135	1205	1148	1.21		1	2270	1240	1305	1.37
	1.1	2105	1230	1168	1.24		1.1	2240	1260	1327	1.40
	1.2	2065	1255	1189	1.26		1.2	2205	1285	1348	1.42
	1.3	2030	1275	1209	1.28		1.3	2170	1305	1368	1.45
	1.4	1985	1295	1225	1.30		1.4	2130	1325	1384	1.47
	1.5	1945	1320	1243	1.33		1.5	2095	1345	1403	1.49
	1.6	1910	1340	1265	1.35		1.6	2060	1365	1428	1.51
	1.7	1870	1360	1286	1.37		1.7	2025	1385	1449	1.53
1.8	1830	1380	1305	1.39	1.8	1985	1405	1470	1.56		
T3	0.8	1680	1030	648	0.66	T3'	0.8	1895	1080	813	0.85
	0.9	1640	1055	664	0.68		0.9	1855	1105	829	0.87
	1	1600	1085	681	0.70		1	1820	1135	848	0.89
	1.1	1555	1115	697	0.72		1.1	1780	1160	866	0.91
	1.2	1510	1140	714	0.73		1.2	1740	1185	884	0.93
	1.3	1465	1165	730	0.75		1.3	1700	1210	902	0.95
	1.4	1410	1195	764	0.77		1.4	1650	1235	927	0.97
	1.5	1355	1220	779	0.78		1.5	1600	1260	943	0.99
	1.6	1295	1250	777	0.80		1.6	1555	1285	953	1.01
	1.7	1250	1275	791	0.82		1.7	1510	1305	970	1.02
1.8	1210	1295	805	0.83	1.8	1470	1330	986	1.04		
T4	0.8	2275	1180	1192	1.25	T4'	0.8	2405	1220	1354	1.42
	0.9	2240	1200	1211	1.27		0.9	2375	1235	1374	1.44
	1	2210	1225	1231	1.30		1	2345	1260	1394	1.46
	1.1	2180	1245	1252	1.32		1.1	2315	1280	1416	1.49
	1.2	2145	1270	1273	1.35		1.2	2280	1300	1438	1.51
	1.3	2105	1290	1293	1.37		1.3	2245	1320	1459	1.53
	1.4	2065	1310	1309	1.39		1.4	2205	1340	1474	1.56
	1.5	2030	1330	1328	1.41		1.5	2170	1360	1494	1.58
	1.6	1995	1350	1352	1.43		1.6	2135	1380	1520	1.60
	1.7	1955	1375	1372	1.46		1.7	2100	1400	1542	1.63
1.8	1915	1395	1393	1.48	1.8	2065	1420	1564	1.65		
T5	0.8	1825	1065	756	0.79	T5'	0.8	2030	1115	933	0.98
	0.9	1785	1090	772	0.80		0.9	1995	1140	951	1.00
	1	1745	1120	790	0.83		1	1960	1165	970	1.02
	1.1	1710	1145	808	0.85		1.1	1925	1190	989	1.05
	1.2	1665	1170	826	0.86		1.2	1885	1215	1009	1.07
	1.3	1625	1195	843	0.88		1.3	1845	1240	1028	1.09
	1.4	1570	1220	870	0.90		1.4	1800	1260	1048	1.11
	1.5	1520	1245	886	0.92		1.5	1755	1285	1064	1.13
	1.6	1470	1270	892	0.94		1.6	1715	1305	1081	1.15
	1.7	1430	1295	909	0.96		1.7	1670	1330	1099	1.17
1.8	1385	1320	924	0.97	1.8	1630	1350	1117	1.19		

5 Ton - 100K ULN - Downshot

SPEED TAP	EXTERNAL STATIC PRESSURE (ESP) in w. c.	STANDARD CFM	RPM	WATTS	BHP	SPEED TAP	EXTERNAL STATIC PRESSURE (ESP) in w. c.	STANDARD CFM	RPM	WATTS	BHP
T1	0.8	995	915	315	0.22	T1'	0.8	1350	1005	488	0.46
	0.9	935	955	332	0.23		0.9	1300	1040	505	0.47
	1	880	990	344	0.23		1	1250	1070	521	0.49
	1.1	815	1030	355	0.24		1.1	1205	1105	534	0.50
	1.2	765	1060	364	0.25		1.2	1155	1135	549	0.52
	1.3	710	1090	372	0.26		1.3	1105	1165	562	0.53
	1.4	630	1145	456	0.27		1.4	1045	1200	616	0.55
	1.5	-	-	-	-		1.5	975	1235	632	0.56
	1.6	-	-	-	-		1.6	900	1265	608	0.58
	1.7	-	-	-	-		1.7	860	1290	620	0.59
1.8	-	-	-	-	1.8	815	1320	631	0.60		
T2	0.8	2135	1220	1166	1.23	T2'	0.8	2265	1260	1328	1.40
	0.9	2105	1245	1184	1.25		0.9	2235	1280	1349	1.42
	1	2070	1265	1205	1.27		1	2200	1300	1370	1.44
	1.1	2040	1290	1226	1.30		1.1	2175	1325	1393	1.47
	1.2	2005	1320	1248	1.33		1.2	2140	1350	1415	1.50
	1.3	1970	1340	1269	1.35		1.3	2105	1370	1436	1.52
	1.4	1925	1360	1286	1.37		1.4	2065	1390	1453	1.54
	1.5	1885	1385	1305	1.39		1.5	2030	1410	1473	1.56
	1.6	1855	1405	1328	1.41		1.6	2000	1435	1499	1.59
	1.7	1815	1430	1350	1.44		1.7	1965	1455	1521	1.61
1.8	1775	1450	1370	1.46	1.8	1925	1475	1544	1.63		
T3	0.8	1095	940	358	0.28	T3'	0.8	1375	1010	503	0.48
	0.9	1045	975	375	0.29		0.9	1325	1045	520	0.49
	1	985	1015	389	0.30		1	1275	1075	536	0.51
	1.1	925	1050	400	0.31		1.1	1225	1110	550	0.52
	1.2	880	1080	411	0.32		1.2	1185	1140	565	0.54
	1.3	825	1115	420	0.33		1.3	1135	1170	578	0.55
	1.4	750	1160	495	0.35		1.4	1070	1210	631	0.57
	1.5	670	1190	510	0.36		1.5	1005	1240	646	0.58
	1.6	580	1235	463	0.37		1.6	935	1270	624	0.60
	1.7	-	-	-	-		1.7	890	1295	635	0.61
1.8	-	-	-	-	1.8	845	1325	648	0.62		
T4	0.8	2205	1240	1252	1.31	T4'	0.8	2335	1280	1422	1.49
	0.9	2175	1260	1272	1.34		0.9	2305	1295	1443	1.51
	1	2145	1285	1293	1.36		1	2275	1325	1464	1.54
	1.1	2115	1305	1315	1.38		1.1	2245	1345	1487	1.56
	1.2	2080	1335	1337	1.42		1.2	2210	1365	1510	1.59
	1.3	2040	1355	1358	1.44		1.3	2180	1385	1532	1.61
	1.4	2005	1375	1374	1.46		1.4	2140	1405	1548	1.63
	1.5	1970	1395	1394	1.48		1.5	2105	1430	1569	1.66
	1.6	1935	1420	1420	1.51		1.6	2070	1450	1596	1.69
	1.7	1895	1445	1441	1.53		1.7	2035	1470	1619	1.71
1.8	1860	1465	1463	1.55	1.8	2005	1490	1642	1.73		
T5	0.8	1275	980	446	0.40	T5'	0.8	1495	1040	580	0.57
	0.9	1220	1020	463	0.42		0.9	1450	1075	596	0.59
	1	1175	1055	479	0.43		1	1405	1110	614	0.61
	1.1	1120	1085	491	0.44		1.1	1360	1140	629	0.63
	1.2	1075	1120	505	0.46		1.2	1315	1165	646	0.64
	1.3	1025	1150	517	0.47		1.3	1270	1195	660	0.66
	1.4	955	1190	576	0.49		1.4	1215	1230	705	0.68
	1.5	890	1220	592	0.50		1.5	1150	1260	720	0.69
	1.6	810	1255	562	0.51		1.6	1085	1290	708	0.71
	1.7	760	1280	572	0.52		1.7	1045	1315	721	0.72
1.8	720	1305	583	0.53	1.8	1000	1340	735	0.74		

5 Ton - 100K ULN - Horizontal

SPEED TAP	EXTERNAL STATIC PRESSURE (ESP) in w. c.	STANDARD CFM	RPM	WATTS	BHP	SPEED TAP	EXTERNAL STATIC PRESSURE (ESP) in w. c.	STANDARD CFM	RPM	WATTS	BHP
T1	0.8	1025	870	300	0.21	T1'	0.8	1390	955	465	0.44
	0.9	965	910	316	0.22		0.9	1340	990	481	0.45
	1	905	945	328	0.22		1	1290	1020	496	0.46
	1.1	840	980	338	0.23		1.1	1240	1050	509	0.48
	1.2	790	1010	347	0.24		1.2	1190	1080	523	0.49
	1.3	730	1040	354	0.25		1.3	1140	1110	535	0.51
	1.4	650	1090	434	0.26		1.4	1075	1145	587	0.52
	1.5	-	-	-	-		1.5	1005	1175	602	0.54
	1.6	-	-	-	-		1.6	930	1205	579	0.55
1.7	-	-	-	-	1.7	885	1230	590	0.56		
1.8	-	-	-	-	1.8	840	1255	601	0.57		
T2	0.8	2200	1160	1110	1.17	T2'	0.8	2335	1200	1265	1.33
	0.9	2170	1185	1128	1.19		0.9	2305	1220	1285	1.35
	1	2135	1205	1148	1.21		1	2270	1240	1305	1.37
	1.1	2105	1230	1168	1.24		1.1	2240	1260	1327	1.40
	1.2	2065	1255	1189	1.26		1.2	2205	1285	1348	1.42
	1.3	2030	1275	1209	1.28		1.3	2170	1305	1368	1.45
	1.4	1985	1295	1225	1.30		1.4	2130	1325	1384	1.47
	1.5	1945	1320	1243	1.33		1.5	2095	1345	1403	1.49
	1.6	1910	1340	1265	1.35		1.6	2060	1365	1428	1.51
1.7	1870	1360	1286	1.37	1.7	2025	1385	1449	1.53		
1.8	1830	1380	1305	1.39	1.8	1985	1405	1470	1.56		
T3	0.8	1130	895	341	0.27	T3'	0.8	1415	960	479	0.45
	0.9	1075	930	357	0.28		0.9	1365	995	495	0.47
	1	1015	965	370	0.29		1	1315	1025	510	0.48
	1.1	955	1000	381	0.30		1.1	1265	1055	524	0.50
	1.2	905	1030	391	0.31		1.2	1220	1085	538	0.51
	1.3	850	1060	400	0.32		1.3	1170	1115	550	0.53
	1.4	775	1105	471	0.33		1.4	1105	1150	601	0.54
	1.5	690	1135	486	0.34		1.5	1035	1180	615	0.56
	1.6	600	1175	441	0.35		1.6	965	1210	594	0.57
1.7	-	-	-	-	1.7	915	1235	605	0.58		
1.8	-	-	-	-	1.8	870	1260	617	0.59		
T4	0.8	2275	1180	1192	1.25	T4'	0.8	2405	1220	1354	1.42
	0.9	2240	1200	1211	1.27		0.9	2375	1235	1374	1.44
	1	2210	1225	1231	1.30		1	2345	1260	1394	1.46
	1.1	2180	1245	1252	1.32		1.1	2315	1280	1416	1.49
	1.2	2145	1270	1273	1.35		1.2	2280	1300	1438	1.51
	1.3	2105	1290	1293	1.37		1.3	2245	1320	1459	1.53
	1.4	2065	1310	1309	1.39		1.4	2205	1340	1474	1.56
	1.5	2030	1330	1328	1.41		1.5	2170	1360	1494	1.58
	1.6	1995	1350	1352	1.43		1.6	2135	1380	1520	1.60
1.7	1955	1375	1372	1.46	1.7	2100	1400	1542	1.63		
1.8	1915	1395	1393	1.48	1.8	2065	1420	1564	1.65		
T5	0.8	1315	935	425	0.38	T5'	0.8	1540	990	552	0.54
	0.9	1260	970	441	0.40		0.9	1495	1025	568	0.56
	1	1210	1005	456	0.41		1	1450	1055	585	0.58
	1.1	1155	1035	468	0.42		1.1	1400	1085	599	0.60
	1.2	1110	1065	481	0.43		1.2	1355	1110	615	0.61
	1.3	1055	1095	492	0.45		1.3	1310	1140	629	0.63
	1.4	985	1135	549	0.46		1.4	1250	1170	671	0.64
	1.5	915	1160	564	0.47		1.5	1185	1200	686	0.66
	1.6	835	1195	535	0.49		1.6	1120	1230	674	0.68
1.7	785	1220	545	0.50	1.7	1075	1250	687	0.69		
1.8	740	1245	555	0.51	1.8	1030	1275	700	0.70		

DOWNFLOW ECONOMIZER PRESSURE DROP		
Cabinet	CFM	SP in.wg.
3 Ton	900	.03"
	1200	.05"
	1500	.08"
4 Ton	1200	.06"
	1600	.10"
	2000	.14"
5 Ton	1500	.08"
	2000	.14"
	2500	.22"
6 Ton	1800	.13"
	2400	.22"
	3000	.33"

HORIZONTAL ECONOMIZER PRESSURE DROP		
Cabinet	CFM	SP in.wg.
3 Ton	900	.06"
	1200	.11"
	1500	.16"
4 Ton	1200	.11"
	1600	.19"
	2000	.29"
5 Ton	1500	.18"
	2000	.30"
	2500	.45"
6 Ton	1800	.24"
	2400	.41"
	3000	.61"

CONCENTRIC DIFFUSER 24 X 48 WITH 16" DIA COLLAR PRESSURE DROP		
Cabinet	CFM	DIFFUSER DP
3-6 Ton	1000	0.18
	1200	0.25
	1400	0.33
	1600	0.42
	1800	0.53
	2000	0.64

CONCENTRIC DIFFUSER 24 X 48 WITH 18" DIA COLLAR PRESSURE DROP		
Cabinet	CFM	DIFFUSER DP
3-6 Ton	1000	0.14
	1200	0.20
	1400	0.26
	1600	0.33
	1800	0.41
	2000	0.50
	2400	0.68

CABINET	COLLAR DIA	AIR	STATIC PRESSURE (IN W.C) AT THESE CFM			
			1200	1600	2000	2400
3-6 Ton	16"	Supply	0.09	0.17	-	-
		Return	-	-	-	-
	18"	Supply	-	-	0.15	0.22
		Return	-	-	0.04	0.06

INDOOR COIL PRESSURE DROP		
Cabinet	CFM	DP (in W.C)
3 Ton	1160	0.06"
4 Ton	1570	0.13"
5 Ton	1820	0.16"
6 Ton	2100	0.12"

Electrical Data

Model Number	Electrical Rating	Compressor			Outdoor Fan Motor			Indoor Fan Motor			Optional Powered Convenience Outlet	Optional Power Exhaust	Power Supply	
		QTY	RLA	LRA	QTY	HP	FLA	Type	HP	FLA	FLA	FLA	MCA	MOP
DFG0361D	208/230/1/60	1	16.7	79	1	0.17	0.95	Direct Drive Standard Static	0.75	5.7	-	-	27.5/27.5	40/40
											9.6/8.7	-	37.1/36.2	50/50
											-	1.7/1.5	29.2/29.0	40/40
											9.6/8.7	1.7/1.5	38.8/37.7	50/50
DFG0361DULN	208/230/1/60	1	16.7	79	1	0.17	0.95	Direct Drive Standard Static	0.75	5.7	-	-	27.5/27.5	40/40
											9.6/8.7	-	37.1/36.2	50/50
											-	1.7/1.5	29.2/29.0	40/40
											9.6/8.7	1.7/1.5	38.8/37.7	50/50
DFG0363D	208/230/3/60	1	10.4	73	1	0.17	0.95	Direct Drive Standard Static	0.75	5.7	-	-	19.7/19.7	30/30
											9.6/8.7	-	29.3/28.4	35/35
											-	1.7/1.5	21.4/21.2	30/30
											9.6/8.7	1.7/1.5	31.0/29.9	35/35
DFG0363DULN	208/230/3/60	1	10.4	73	1	0.17	0.95	Direct Drive Standard Static	0.75	5.7	-	-	19.7/19.7	30/30
											9.6/8.7	-	29.3/28.4	35/35
											-	1.7/1.5	21.4/21.2	30/30
											9.6/8.7	1.7/1.5	31.0/29.9	35/35
DFG0363W	208/230/3/60	1	10.4	73	1	0.17	0.95	Direct Drive High Static	1.2	5	-	-	19.0/19.0	25/25
											9.6/8.7	-	28.6/27.7	35/35
											-	1.7/1.5	20.7/20.5	25/25
											9.6/8.7	1.7/1.5	30.3/29.2	35/35
DFG0363WULN	208/230/3/60	1	10.4	73	1	0.17	0.95	Direct Drive High Static	1.2	5	-	-	19.0/19.0	25/25
											9.6/8.7	-	28.6/27.7	35/35
											-	1.7/1.5	20.7/20.5	25/25
											9.6/8.7	1.7/1.5	30.3/29.2	35/35
DFG0364D	460/3/60	1	5.8	38	1	0.17	0.48	Direct Drive Standard Static	1.2	2.5	-	-	10.2	15
											4.3	-	14.5	20
											-	0.5	10.7	15
											4.3	0.5	15	20
DFG0364DULN	460/3/60	1	5.8	38	1	0.17	0.48	Direct Drive Standard Static	1.2	2.5	-	-	10.2	15
											4.3	-	14.5	20
											-	0.5	10.7	15
											4.3	0.5	15	20
DFG0364W	460/3/60	1	5.8	38	1	0.17	0.48	Direct Drive High Static	1.2	2.5	-	-	10.2	15
											4.3	-	14.5	20
											-	0.5	10.7	15
											4.3	0.5	15	20
DFG0364WULN	460/3/60	1	5.8	38	1	0.17	0.48	Direct Drive High Static	1.2	2.5	-	-	10.2	15
											4.3	-	14.5	20
											-	0.5	10.7	15
											4.3	0.5	15	20
DFG0367D	575/3/60	1	3.8	36.5	1	0.17	0.39	Direct Drive Standard Static	1.2	2	-	-	7.12	15
											3.5	-	10.6	15
											-	0.6	7.72	15
											3.5	0.6	11.2	15

Electrical Data

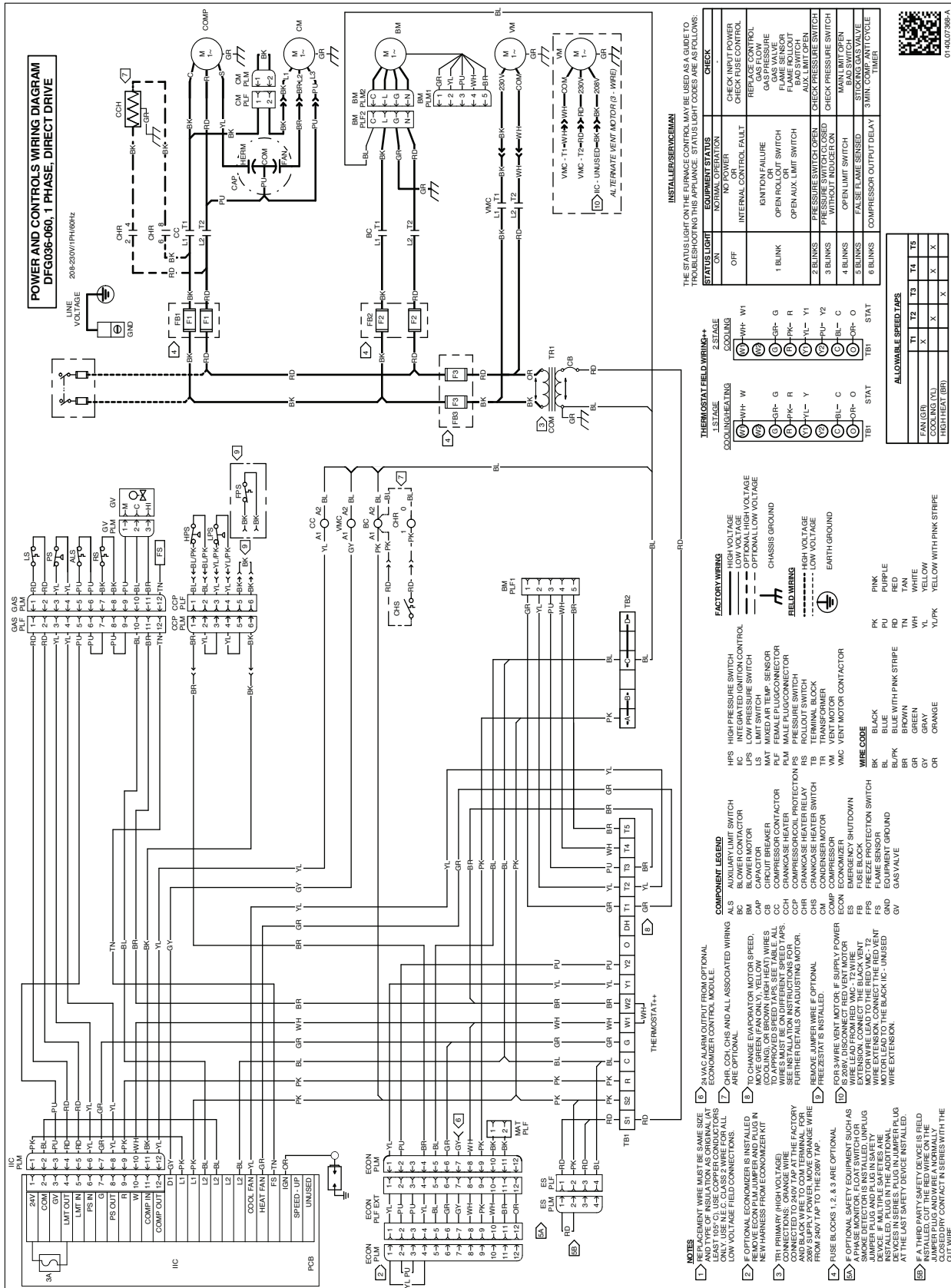
Model Number	Electrical Rating	Compressor			Outdoor Fan Motor			Indoor Fan Motor			Optional Powered Convenience Outlet	Optional Power Exhaust	Power Supply	
		QTY	RLA	LRA	QTY	HP	FLA	Type	HP	FLA	FLA	FLA	MCA	MOP
DFG0367W	575/3/60	1	3.8	36.5	1	0.17	0.39	Direct Drive High Static	1.2	2	-	-	7.12	15
											3.5	-	10.6	15
											-	0.6	7.72	15
											3.5	0.6	11.2	15
DFG0481D	208/230/1/60	1	19.9	109	1	0.33	2	Direct Drive Standard Static	1	6.9	-	-	33.7/33.7	50/50
											9.6/8.7	-	43.3/42.4	60/60
											-	1.7/1.5	35.4/35.2	50/50
											9.6/8.7	1.7/1.5	45.0/43.9	60/60
DFG0481DULN	208/230/1/60	1	19.9	109	1	0.33	2	Direct Drive Standard Static	1	6.9	-	-	33.7/33.7	50/50
											9.6/8.7	-	43.3/42.4	60/60
											-	1.7/1.5	35.4/35.2	50/50
											9.6/8.7	1.7/1.5	45.0/43.9	60/60
DFG0483D	208/230/3/60	1	13.1	83.1	1	0.33	2	Direct Drive Standard Static	1	6.9	-	-	25.3/25.3	35/35
											9.6/8.7	-	34.9/34.0	45/45
											-	1.7/1.5	27.0/26.8	35/35
											9.6/8.7	1.7/1.5	36.6/35.5	45/45
DFG0483DULN	208/230/3/60	1	13.1	83.1	1	0.33	2	Direct Drive Standard Static	1	6.9	-	-	25.3/25.3	35/35
											9.6/8.7	-	34.9/34.0	45/45
											-	1.7/1.5	27.0/26.8	35/35
											9.6/8.7	1.7/1.5	36.6/35.5	45/45
DFG0483W	208/230/3/60	1	13.1	83.1	1	0.33	2	Direct Drive High Static	1.2	5	-	-	23.4/23.4	35/35
											9.6/8.7	-	33.0/32.1	45/45
											-	1.7/1.5	25.1/24.9	35/35
											9.6/8.7	1.7/1.5	34.7/33.6	45/45
DFG0483WULN	208/230/3/60	1	13.1	83.1	1	0.33	2	Direct Drive High Static	1	6.9	-	-	25.3/25.3	35/35
											9.6/8.7	-	34.9/34.0	45/45
											-	1.7/1.5	27.0/26.8	35/35
											9.6/8.7	1.7/1.5	36.6/35.5	45/45
DFG0484D	460/3/60	1	6.1	41	1	0.33	0.85	Direct Drive Standard Static	1.2	2.5	-	-	11	15
											4.3	-	15.3	20
											-	0.5	11.5	15
											4.3	0.5	15.8	20
DFG0484DULN	460/3/60	1	6.1	41	1	0.33	0.85	Direct Drive Standard Static	1.2	2.5	-	-	11	15
											4.3	-	15.3	20
											-	0.5	11.5	15
											4.3	0.5	15.8	20
DFG0484W	460/3/60	1	6.1	41	1	0.33	0.85	Direct Drive High Static	1.2	2.5	-	-	11	15
											4.3	-	15.3	20
											-	0.5	11.5	15
											4.3	0.5	15.8	20
DFG0484WULN	460/3/60	1	6.1	41	1	0.33	0.85	Direct Drive High Static	1.2	2.5	-	-	11	15
											4.3	-	15.3	20
											-	0.5	11.5	15
											4.3	0.5	15.8	20

Electrical Data

Model Number	Electrical Rating	Compressor			Outdoor Fan Motor			Indoor Fan Motor			Optional Powered Convenience Outlet	Optional Power Exhaust	Power Supply	
		QTY	RLA	LRA	QTY	HP	FLA	Type	HP	FLA	FLA	FLA	MCA	MOP
DFG0487D	575/3/60	1	4.4	33	1	0.33	0.67	Direct Drive Standard Static	1.2	2	-	-	8.12	15
											3.5	-	11.6	15
											-	0.6	8.72	15
											3.5	0.6	12.2	15
DFG0487W	575/3/60	1	4.4	33	1	0.33	0.67	Direct Drive High Static	1.2	2	-	-	8.12	15
											3.5	-	11.6	15
											-	0.6	8.72	15
											3.5	0.6	12.2	15
DFG0601D	208/230/1/60	1	26.4	134	1	0.33	2	Direct Drive Standard Static	1	6.9	-	-	41.9/41.9	60/60
											9.6/8.7	-	51.5/50.6	70/70
											-	1.7/1.5	43.6/43.4	60/60
											9.6/8.7	1.7/1.5	53.2/52.1	70/70
DFG0601DULN	208/230/1/60	1	26.4	134	1	0.33	2	Direct Drive Standard Static	1	6.9	-	-	41.9/41.9	60/60
											9.6/8.7	-	51.5/50.6	70/70
											-	1.7/1.5	43.6/43.4	60/60
											9.6/8.7	1.7/1.5	53.2/52.1	70/70
DFG0603D	208/230/3/60	1	16	110	1	0.33	2	Direct Drive Standard Static	1	6.9	-	-	28.9/28.9	40/40
											9.6/8.7	-	38.5/37.6	50/50
											-	1.7/1.5	30.6/30.4	40/40
											9.6/8.7	1.7/1.5	40.2/39.1	50/50
DFG0603DULN	208/230/3/60	1	16	110	1	0.33	2	Direct Drive Standard Static	1	6.9	-	-	28.9/28.9	40/40
											9.6/8.7	-	38.5/37.6	50/50
											-	1.7/1.5	30.6/30.4	40/40
											9.6/8.7	1.7/1.5	40.2/39.1	50/50
DFG0603W	208/230/3/60	1	16	110	1	0.33	2	Direct Drive High Static	2.3	7.7	-	-	29.7/29.7	45/45
											9.6/8.7	-	39.3/38.4	50/50
											-	1.7/1.5	31.4/31.2	45/45
											9.6/8.7	1.7/1.5	41.0/39.9	50/50
DFG0603WULN	208/230/3/60	1	16	110	1	0.33	2	Direct Drive High Static	2.3	7.7	-	-	29.7/29.7	45/45
											9.6/8.7	-	39.3/38.4	50/50
											-	1.7/1.5	31.4/31.2	45/45
											9.6/8.7	1.7/1.5	41.0/39.9	50/50
DFG0604D	460/3/60	1	7.8	52	1	0.33	0.85	Direct Drive Standard Static	1.2	2.5	-	-	13	20
											4.3	-	17.3	25
											-	0.5	13.5	20
											4.3	0.5	17.8	25
DFG0604DULN	460/3/60	1	7.8	52	1	0.33	0.85	Direct Drive Standard Static	1.2	2.5	-	-	13	20
											4.3	-	17.3	25
											-	0.5	13.5	20
											4.3	0.5	17.8	25
DFG0604W	460/3/60	1	7.8	52	1	0.33	0.85	Direct Drive High Static	2.3	4.5	-	-	15	20
											4.3	-	19.3	25
											-	0.5	15.5	20
											4.3	0.5	19.8	25

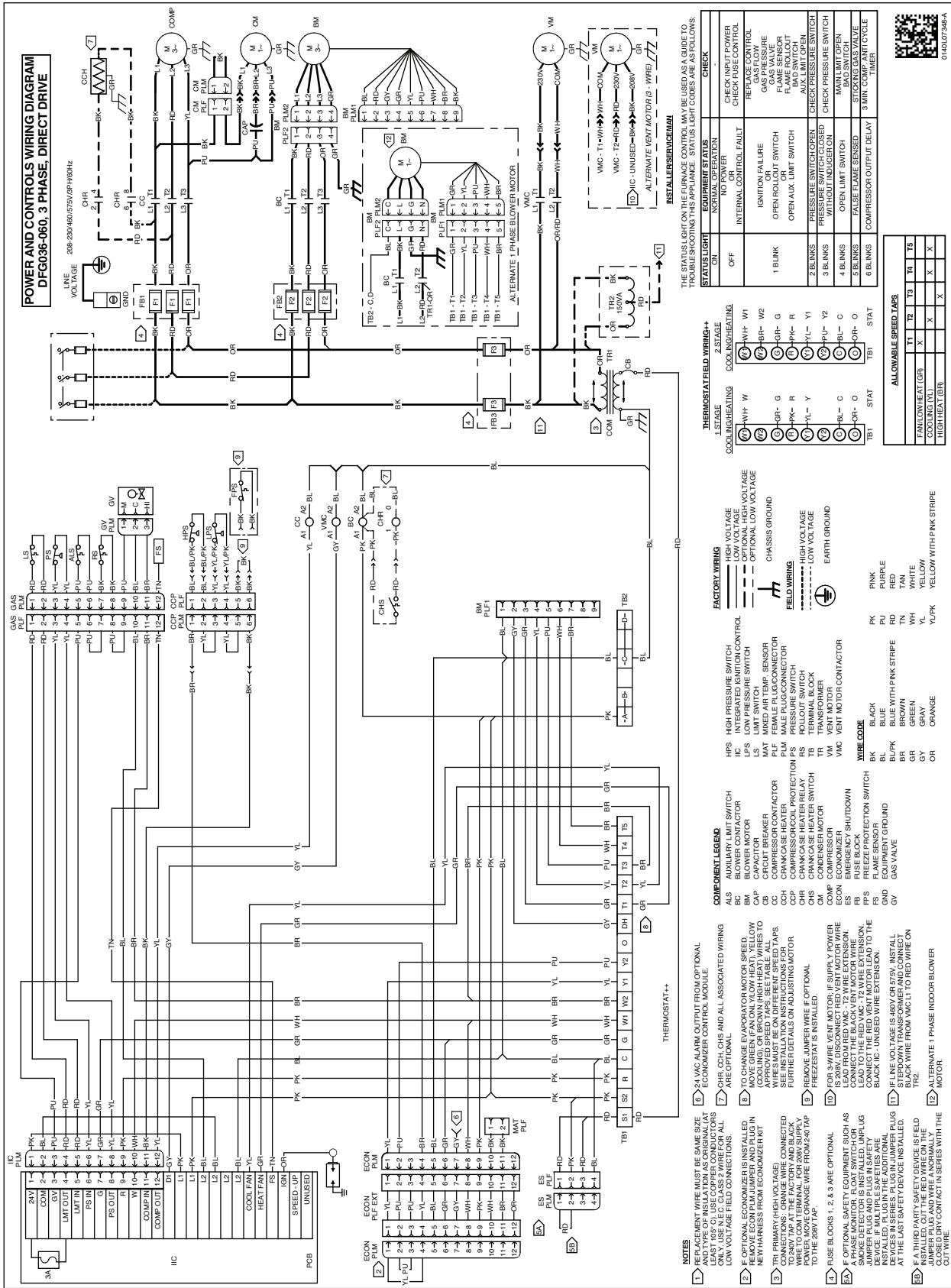
Electrical Data

Model Number	Electrical Rating	Compressor			Outdoor Fan Motor			Indoor Fan Motor			Optional Powered Convenience Outlet	Optional Power Exhaust	Power Supply	
		QTY	RLA	LRA	QTY	HP	FLA	Type	HP	FLA	FLA	FLA	MCA	MOP
DFG0604WULN	460/3/60	1	7.8	52	1	0.33	0.85	Direct Drive High Static	2.3	4.5	-	-	15	20
											4.3	-	19.3	25
											-	0.5	15.5	20
											4.3	0.5	19.8	25
DFG0607D	575/3/60	1	5.7	38.9	1	0.33	0.67	Direct Drive Standard Static	1.2	2	-	-	9.8	15
											3.5	-	13.3	15
											-	0.6	10.4	15
											3.5	0.6	13.9	15
DFG0607W	575/3/60	1	5.7	38.9	1	0.33	0.67	Direct Drive High Static	2.3	3.8	-	-	11.6	15
											3.5	-	15.1	20
											-	0.6	12.2	15
											3.5	0.6	15.7	20
DFG0723D	208/230/3/60	1	17.6	136	1	0.33	2	Direct Drive Standard Static	1.2	5	-	-	29.0/29.0	45/45
											9.6/8.7	-	38.6/37.7	50/50
											-	1.7/1.5	30.7/30.5	45/45
											9.6/8.7	1.7/1.5	40.3/39.2	50/50
DFG0723W	208/230/3/60	1	17.6	136	1	0.33	2	Direct Drive High Static	2.3	7.7	-	-	31.7/31.7	45/45
											9.6/8.7	-	41.3/40.4	50/50
											-	1.7/1.5	33.4/33.2	45/45
											9.6/8.7	1.7/1.5	43.0/41.9	50/50
DFG0724D	460/3/60	1	8.5	66.1	1	0.33	0.85	Direct Drive Standard Static	1.2	2.5	-	-	13.9	20
											4.3	-	18.2	25
											-	0.5	14.4	20
											4.3	0.5	18.7	25
DFG0724W	460/3/60	1	8.5	66.1	1	0.33	0.85	Direct Drive High Static	2.3	4.5	-	-	15.9	20
											4.3	-	20.2	25
											-	0.5	16.4	20
											4.3	0.5	20.7	25
DFG0727D	575/3/60	1	6.3	55.3	1	0.33	0.67	Direct Drive Standard Static	1.2	2	-	-	10.6	15
											3.5	-	14.1	20
											-	0.6	11.2	15
											3.5	0.6	14.7	20
DFG0727W	575/3/60	1	6.3	55.3	1	0.33	0.67	Direct Drive High Static	2.3	3.8	-	-	12.4	15
											3.5	-	15.9	20
											-	0.6	13	15
											3.5	0.6	16.5	20



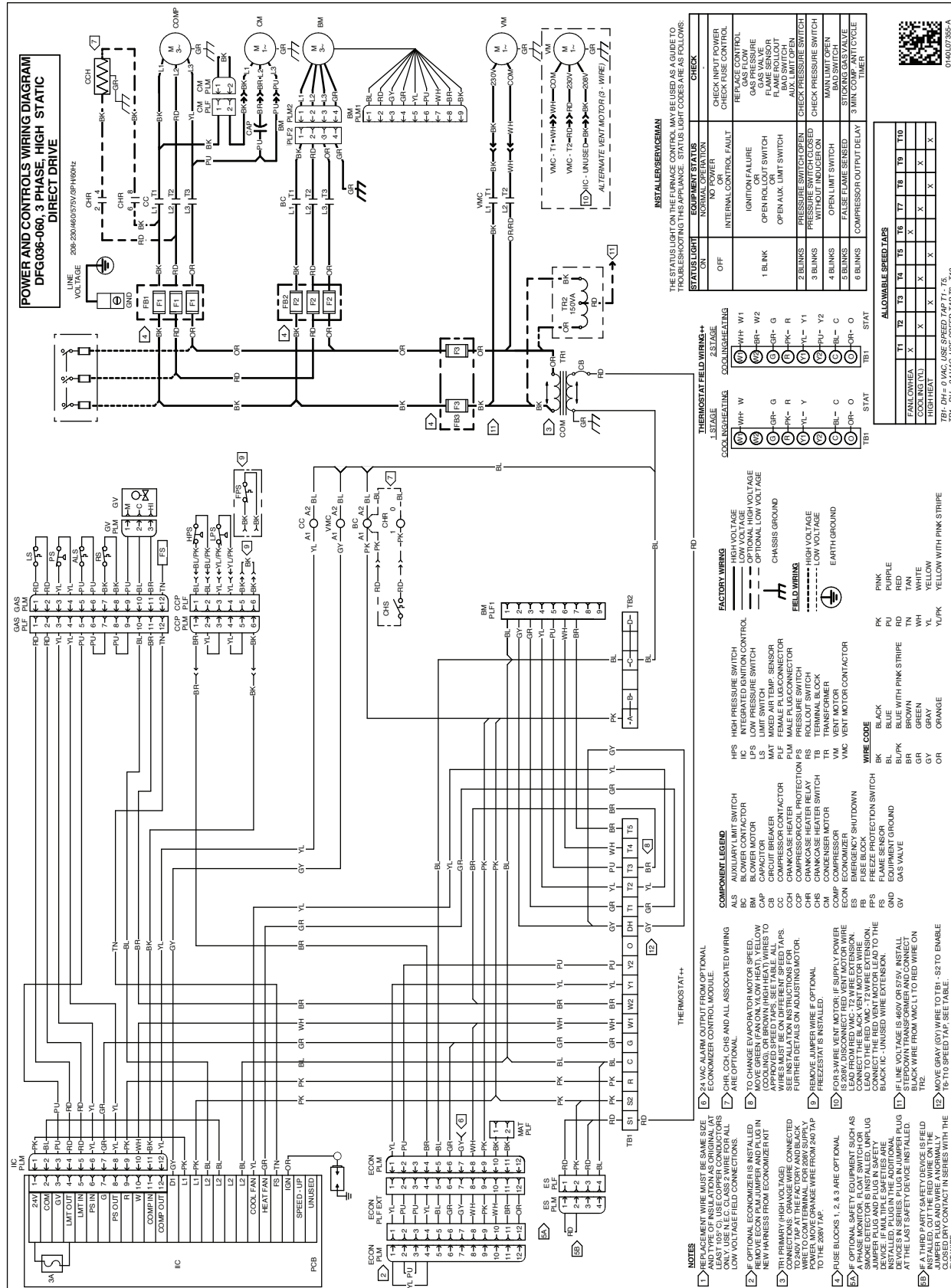
WARNING

High Voltage: Disconnect all power before servicing or installing this unit. Multiple power sources may be present. Failure to do so may cause property damage, personal injury, or death.



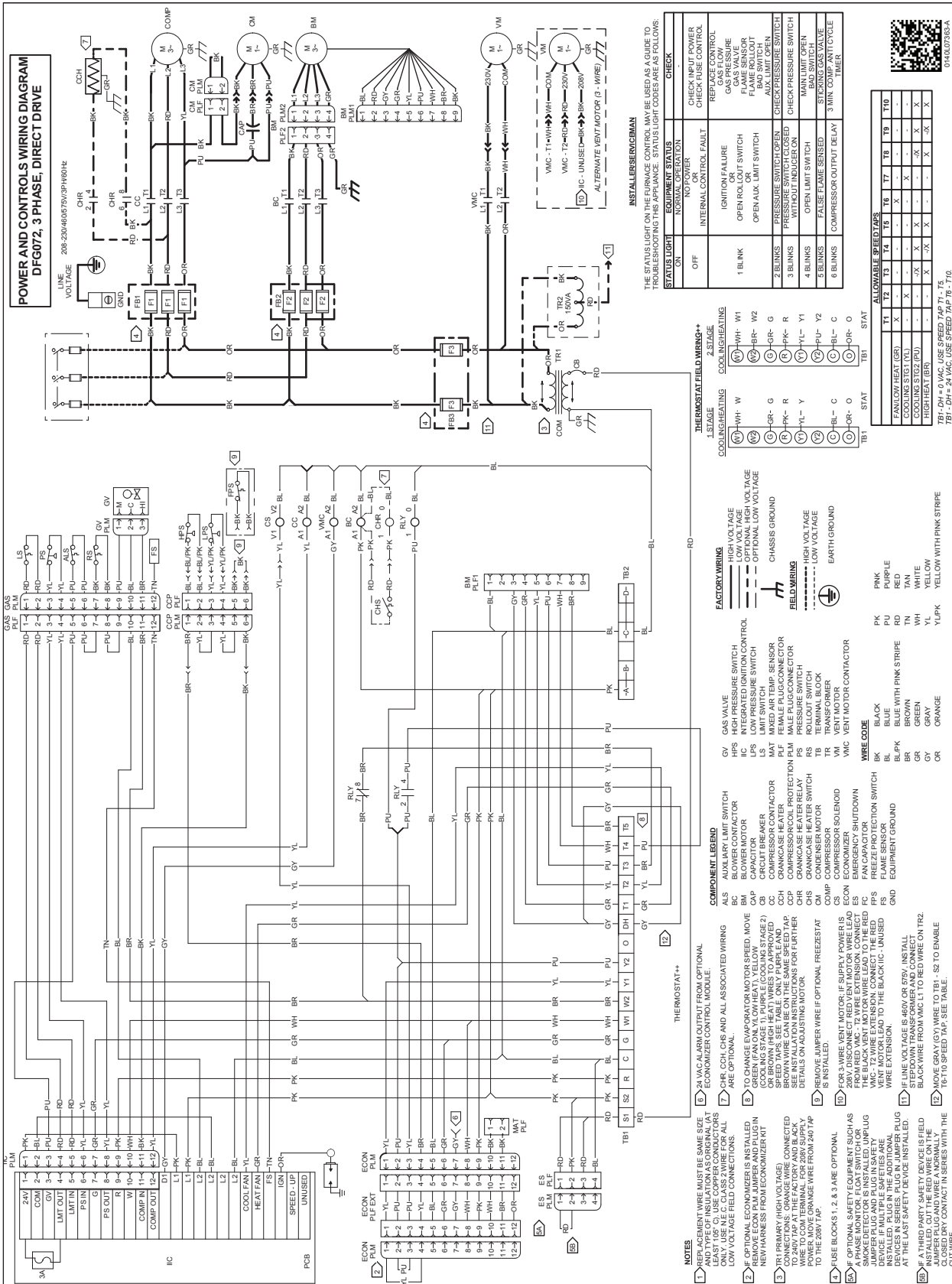
WARNING

High Voltage: Disconnect all power before servicing or installing this unit. Multiple power sources may be present. Failure to do so may cause property damage, personal injury, or death.



WARNING

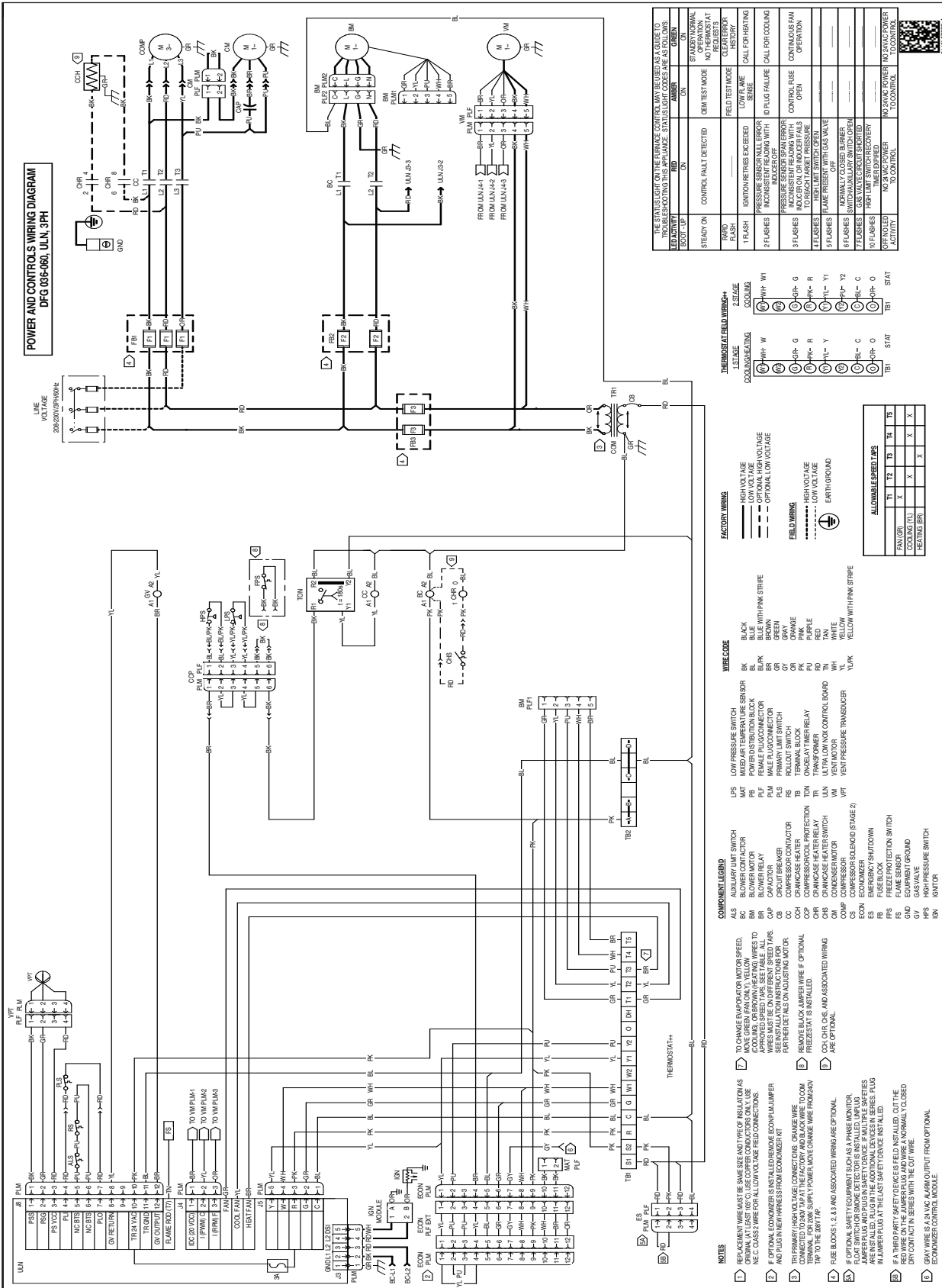
High Voltage: Disconnect all power before servicing or installing this unit. Multiple power sources may be present. Failure to do so may cause property damage, personal injury, or death.



WARNING

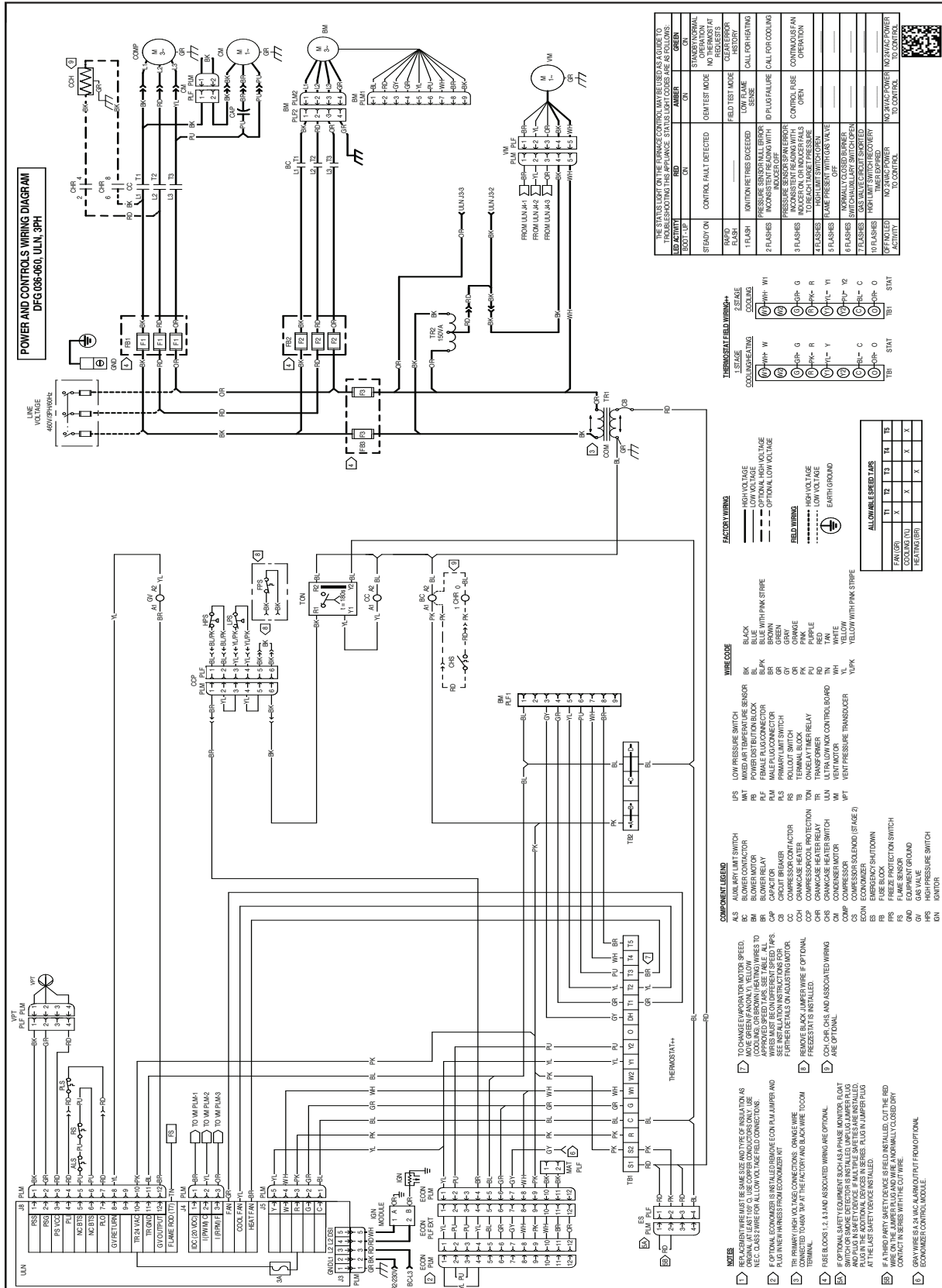
High Voltage: Disconnect all power before servicing or installing this unit. Multiple power sources may be present. Failure to do so may cause property damage, personal injury, or death.

Wiring is subject to change. Always refer to the wiring diagram on the unit for the most up-to-date wiring.



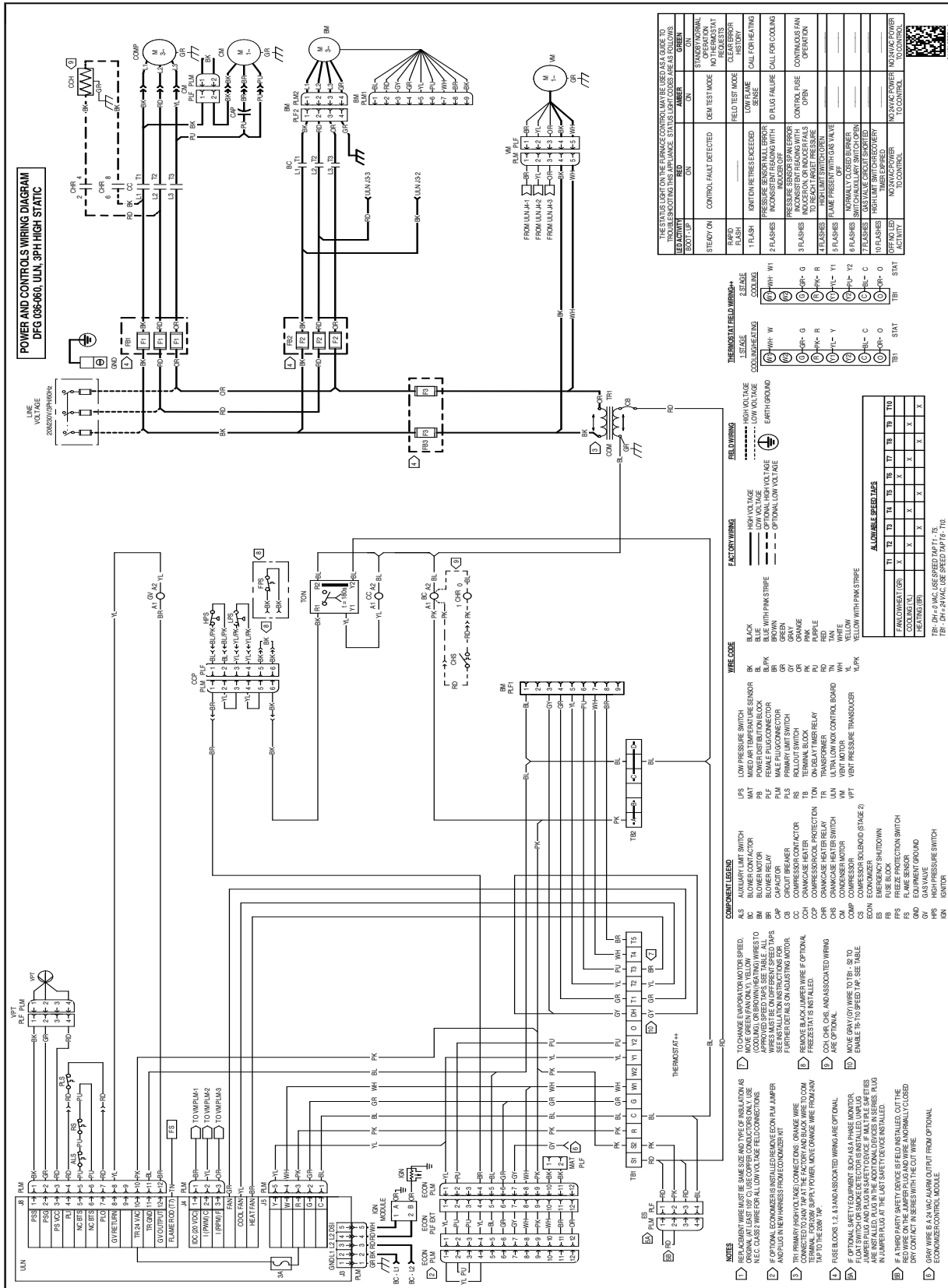
WARNING
 High Voltage: Disconnect all power before servicing or installing this unit. Multiple power sources may be present. Failure to do so may cause property damage, personal injury, or death.

Wiring is subject to change. Always refer to the wiring diagram on the unit for the most up-to-date wiring.



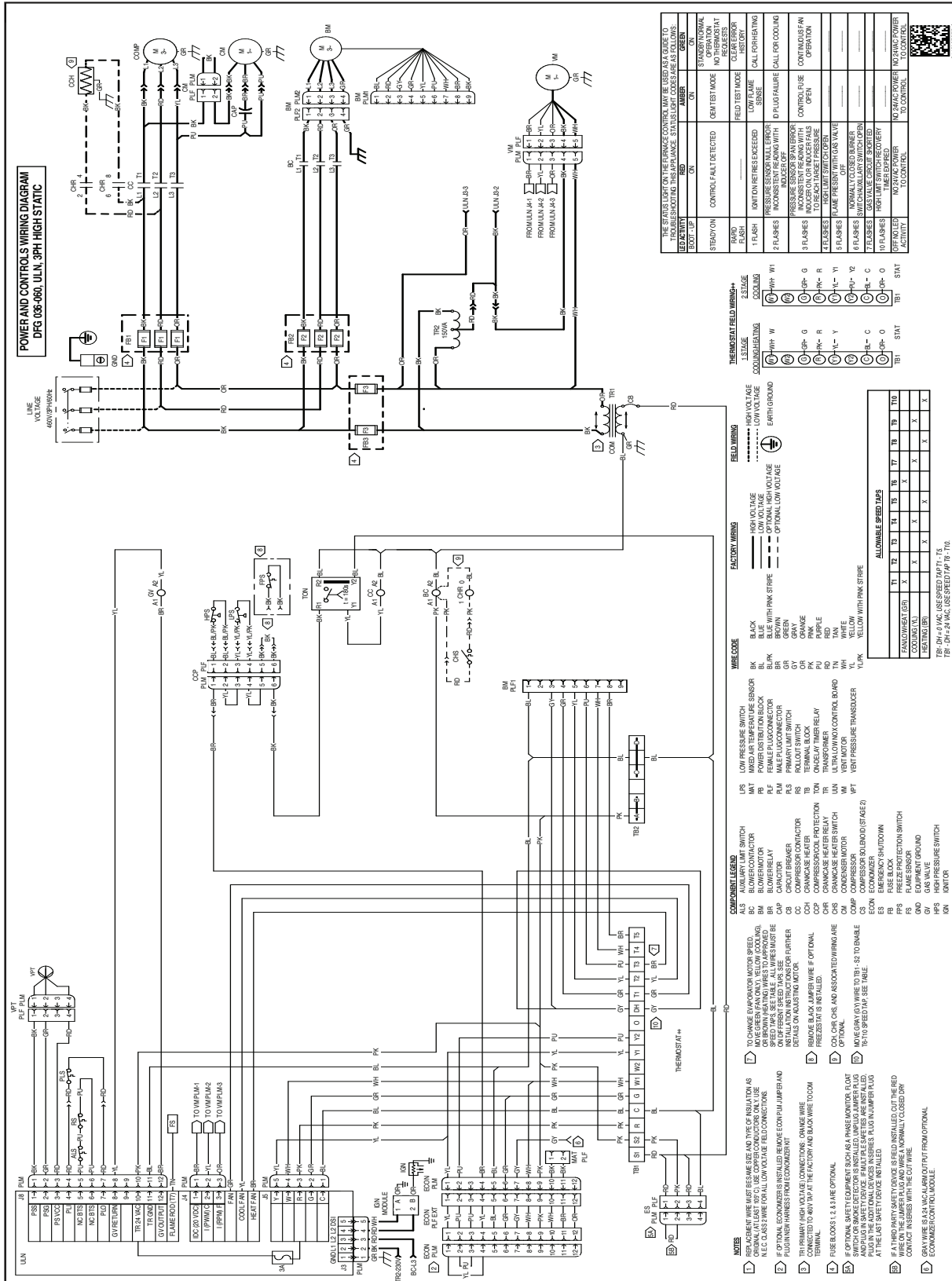
WARNING
High Voltage: Disconnect all power before servicing or installing this unit. Multiple power sources may be present. Failure to do so may cause property damage, personal injury, or death.

Wiring is subject to change. Always refer to the wiring diagram on the unit for the most up-to-date wiring.



WARNING

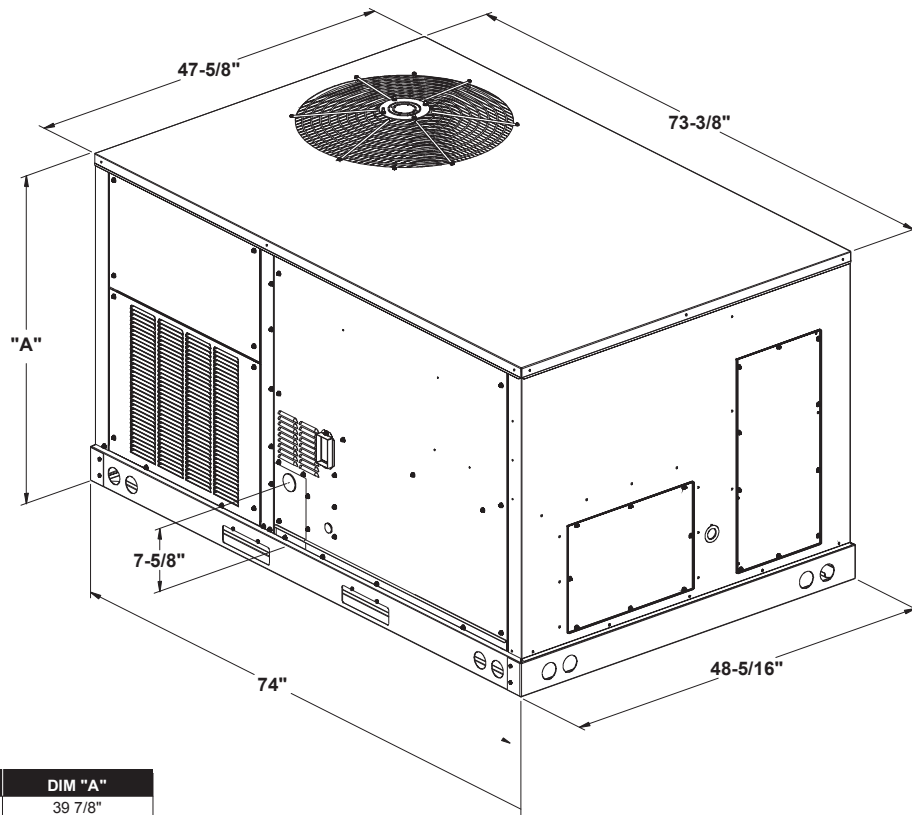
High Voltage: Disconnect all power before servicing or installing this unit. Multiple power sources may be present. Failure to do so may cause property damage, personal injury, or death.



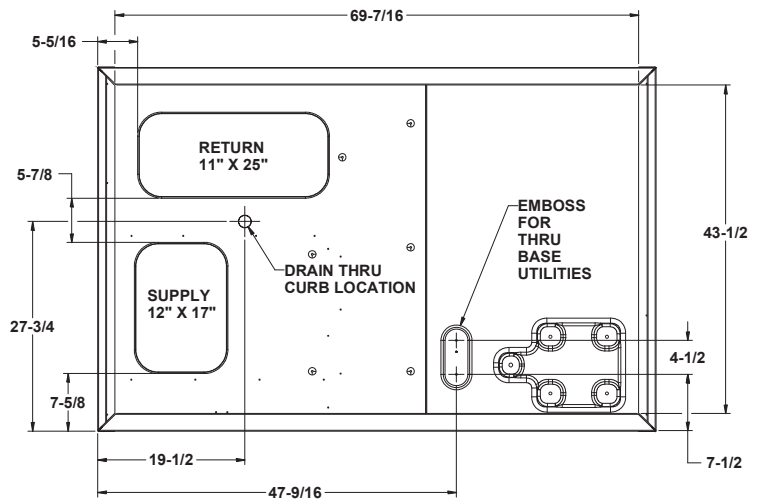
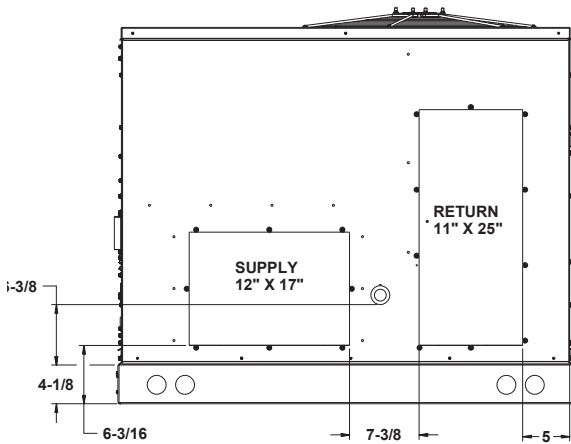
WARNING

High Voltage: Disconnect all power before servicing or installing this unit. Multiple power sources may be present. Failure to do so may cause property damage, personal injury, or death.

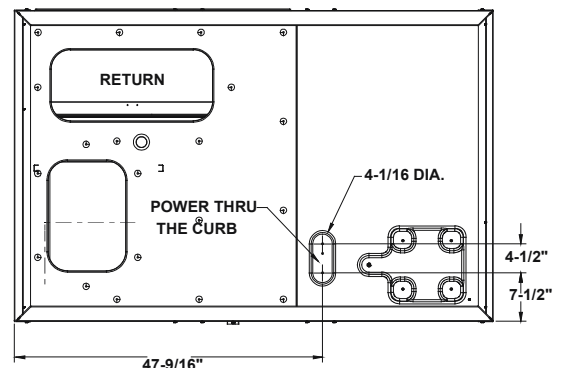
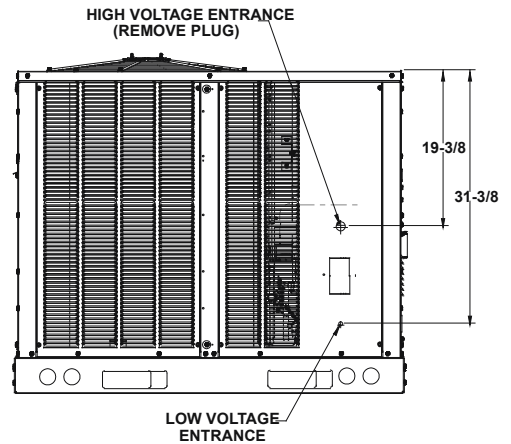
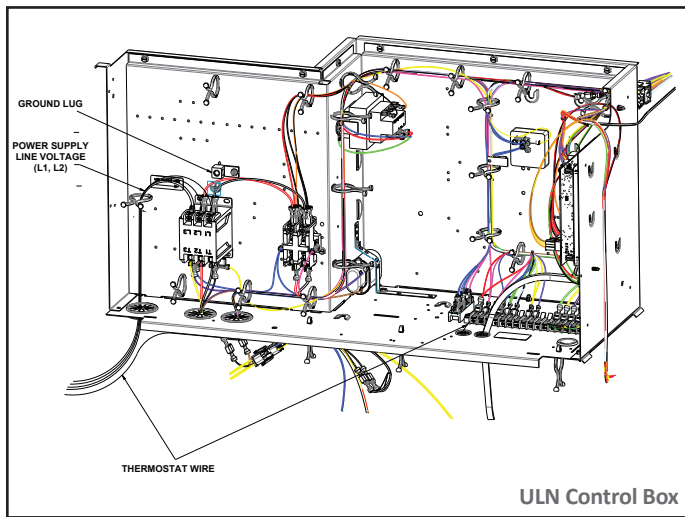
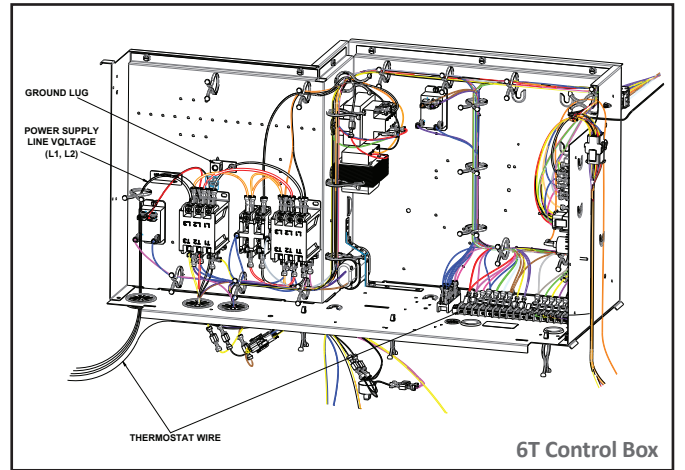
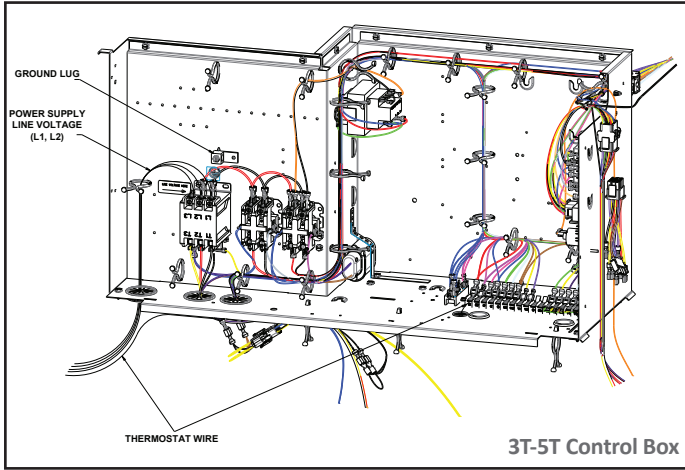
Wiring is subject to change. Always refer to the wiring diagram on the unit for the most up-to-date wiring.



MODEL SIZE	DIM "A"
3 ton Gas	39 7/8"
4 ton Gas	39 7/8"
5 ton Gas	39 7/8"
6 ton Gas	43 1/2"



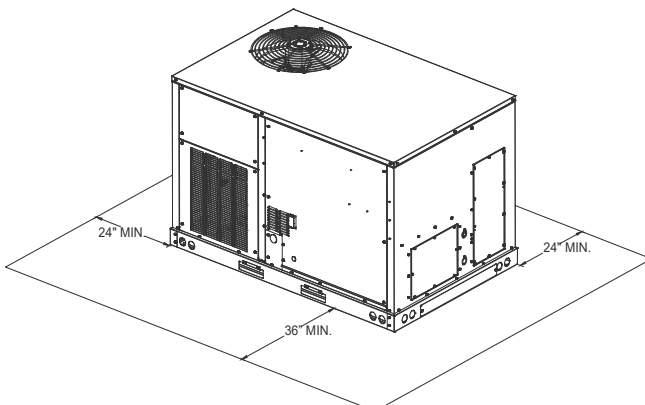
Electrical Connections



Unit Clearances

Service Clearance

Allow for recommended service clearances as shown in figure to the right. In situations that have multiple units, a 36" minimum clearance is required between the condenser coils. A clearance of 48" is recommended on all sides of the unit to allow service access and to ensure proper ventilation and condenser airflow. The top of the unit should be unobstructed. Provide a roof walkway along the sides of the unit for service and access to controls and components. Contact your Daikin sales representative for service requirements less than those recommended.



Unit Location

The structural engineer must verify that the roof has adequate support and ability to minimize deflection. Take extreme caution when using on a wooden roof structure. Unit condenser coils should be in a location that avoids any heated exhaust air.

Allow sufficient space around the unit for maintenance/service clearance. Consult your Daikin sales representative if available clearances do not meet minimum recommendations.

Where code considerations, such as the NEC, require extended clearances, these take precedence.

Provisions for forks have been included in the unit base frame. No other fork locations are approved.

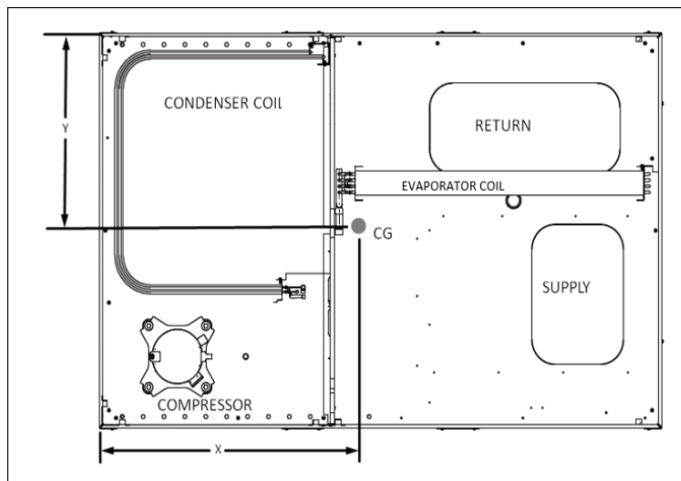
- » Unit must be lifted by the four lifting holes located at the base frame corners.
- » Lifting cables should be attached to the unit with shackles.
- » The distance between the crane hook and the top of the unit must not be less than 60".
- » Two spreader bars must span over the unit to prevent damage to the cabinet by the lift cables. Spreader bars must be of sufficient length so that cables do not come in contact with the unit during transport. Remove wood struts mounted beneath unit base

frame before setting unit on roof curb. These struts are intended to protect unit base frame from forklift damage. To remove the struts, extract the sheet metal retainers and pull the struts through the base of the unit. Refer to rigging label on the unit.

Important: If using bottom discharge with roof curb, ductwork should be attached to the curb prior to installing the unit. Refer to the Roof Curb Installation Instructions for proper curb installation. Curbing must be installed in compliance with the National Roofing Contractors Association Manual. Lower unit carefully onto roof mounting curb. While rigging the unit, the center of gravity will cause the condenser end to be lower than the supply air end. Bring condenser end of unit into alignment with the curb. With condenser end of the unit resting on curb member and using curb as a fulcrum, lower opposite end of the unit until entire unit is seated on the curb. When a rectangular cantilever curb is used, take care to center the unit. Check for proper alignment and orientation of supply and return openings with duct.

Roof Curb Installation

The roof curb is field-assembled and must be installed level (within 1/16" per foot side to side). A sub-base must be constructed by the contractor in applications involving pitched roofs. Gaskets are furnished and must be installed between the unit and curb. For proper installation, follow NRCA guidelines. In applications requiring post and rail installation, an I-beam securely mounted on multiple posts should support the unit on each side. In addition, the insulation on the underside of the unit should be protected from the elements. Applications in geographic areas subjected to seismic or hurricane conditions must meet code requirements for fastening the unit to the curb and the curb to the building structure. For further and more detailed information please refer to our Daikin Light Commercial Packaged unit IOD.



CORNER & CENTER-OF-GRAVITY LOCATIONS

Weights

Model	Shipping Weight (lbs)	Operating Weight (lbs)	Corner Weights (lbs)				Length X (in)	Width Y(in)
			A	B	C	D		
DFG0361DL	570	500	117	142	80	161	35 ¹¹ / ₁₆	29 ¹ / ₁₆
DFG0361DH	582	512	117	142	80	173	36 ⁹ / ₁₆	29 ¹¹ / ₁₆
DFG0361D6	576	506	117	142	80	167	36 ³ / ₁₆	29 ¹ / ₂
DFG0361D8	582	512	117	142	80	173	36 ⁹ / ₁₆	29 ¹¹ / ₁₆
DFG0361D1	589	519	117	142	80	180	37 ¹ / ₁₆	29 ¹⁵ / ₁₆
DFG0363DL	568	498	117	140	80	161	35 ¹³ / ₁₆	29 ³ / ₁₆
DFG0363DM	574	504	117	140	80	167	36 ³ / ₁₆	29 ⁷ / ₁₆
DFG0363DH	580	510	117	140	80	173	36 ¹¹ / ₁₆	29 ⁹ / ₁₆
DFG0363D6	574	504	117	140	80	167	36 ³ / ₁₆	29 ⁷ / ₁₆
DFG0363D8	580	510	117	140	80	173	36 ¹¹ / ₁₆	29 ⁹ / ₁₆
DFG0363D1	587	517	117	140	80	180	37 ³ / ₁₆	29 ⁹ / ₁₆
DFG0364DL	576	506	117	142	81	166	36 ³ / ₁₆	29 ⁹ / ₁₆
DFG0364DM	581	511	117	142	81	171	36 ³ / ₁₆	29 ⁹ / ₁₆
DFG0364DH	586	516	117	142	81	176	36 ³ / ₁₆	29 ⁹ / ₁₆
DFG0364D6	581	511	117	142	81	171	36 ³ / ₁₆	29 ⁹ / ₁₆
DFG0364D8	586	516	117	142	81	176	36 ³ / ₁₆	29 ⁹ / ₁₆
DFG0364D1	590	520	117	142	81	180	37 ³ / ₁₆	29 ¹⁵ / ₁₆
DFG0367DH	586	516	117	142	81	176	36 ³ / ₁₆	29 ⁹ / ₁₆
DFG0481DL	607	537	134	152	87	164	34 ⁹ / ₁₆	28 ⁷ / ₁₆
DFG0481DH	623	553	134	152	88	179	35 ³ / ₁₆	28 ¹⁵ / ₁₆
DFG0481D8	607	537	134	152	87	164	34 ⁹ / ₁₆	28 ⁷ / ₁₆
DFG0481D1	623	553	134	152	88	179	35 ³ / ₁₆	28 ¹⁵ / ₁₆
DFG0483DL	602	532	134	147	87	164	34 ¹⁵ / ₁₆	28 ³ / ₁₆
DFG0483DM	610	540	134	147	87	172	35 ¹ / ₂	28 ⁹ / ₁₆
DFG0483DH	618	548	134	147	88	179	36 ¹ / ₁₆	28 ³ / ₁₆
DFG0483D8	610	540	134	147	87	172	35 ¹ / ₂	28 ⁹ / ₁₆
DFG0483D1	618	548	134	147	88	179	36 ¹ / ₁₆	28 ³ / ₁₆
DFG0484DL	606	536	134	147	87	168	35 ³ / ₁₆	28 ³ / ₁₆
DFG0484DM	614	544	134	147	87	176	35 ³ / ₁₆	28 ¹¹ / ₁₆
DFG0484DH	622	552	134	147	88	183	36 ³ / ₁₆	28 ³ / ₁₆
DFG0484D8	614	544	134	147	87	176	35 ³ / ₁₆	28 ¹¹ / ₁₆
DFG0484D1	622	552	134	147	88	183	36 ³ / ₁₆	28 ³ / ₁₆
DFG0487DH	622	552	134	147	88	183	36 ³ / ₁₆	28 ³ / ₁₆
DFG0601DL	611	541	136	151	87	167	34 ³ / ₁₆	28 ³ / ₁₆
DFG0601DH	628	558	128	157	95	178	36 ³ / ₁₆	29
DFG0601D8	611	541	136	151	87	167	34 ³ / ₁₆	28 ³ / ₁₆
DFG0601D1	624	554	128	157	95	174	35 ¹⁵ / ₁₆	28 ³ / ₁₆
DFG0603DL	607	537	136	147	87	167	35	28 ³ / ₁₆
DFG0603DM	620	550	128	153	95	174	36 ³ / ₁₆	28 ³ / ₁₆
DFG0603DH	624	554	128	153	95	178	36 ⁷ / ₁₆	28 ³ / ₁₆
DFG0603D8	607	537	136	147	87	167	35	28 ³ / ₁₆
DFG0603D1	620	550	128	153	95	174	36 ³ / ₁₆	28 ³ / ₁₆
DFG0604DL	611	541	136	147	87	171	35 ⁵ / ₁₆	28 ³ / ₁₆
DFG0604DM	624	554	128	153	95	178	36 ⁷ / ₁₆	28 ³ / ₁₆
DFG0604DH	628	558	128	153	95	182	36 ³ / ₁₆	29
DFG0604D8	611	541	136	147	87	171	35 ³ / ₁₆	28 ³ / ₁₆
DFG0604D1	624	554	128	153	95	178	36 ⁷ / ₁₆	28 ³ / ₁₆
DFG0607DH	628	558	128	153	95	182	36 ³ / ₁₆	29
DFG0723DL	680	610	143	178	90	199	35 ¹ / ₁₆	29 ⁹ / ₁₆
DFG0723DM	688	618	143	178	90	207	35 ⁹ / ₁₆	30 ¹ / ₁₆
DFG0723DH	696	626	143	178	91	214	36 ¹ / ₁₆	30 ³ / ₁₆
DFG0724DL	680	610	143	178	90	199	35 ¹ / ₁₆	29 ⁹ / ₁₆
DFG0724DM	688	618	143	178	90	207	35 ⁹ / ₁₆	30 ¹ / ₁₆
DFG0724DH	696	626	143	178	91	214	36 ¹ / ₁₆	30 ³ / ₁₆
DFG0727DL	680	610	143	178	90	199	35 ¹ / ₁₆	29 ⁹ / ₁₆
DFG0727DM	688	618	143	178	90	207	35 ⁹ / ₁₆	30 ¹ / ₁₆
DFG0727DH	696	626	143	178	91	214	36 ¹ / ₁₆	30 ³ / ₁₆

For details on accessories refer to document **PM-LC-ACCESSORIES**

