



Air Conditioning & Heating

GLZT7C

HIGH-EFFICIENCY, COMMUNICATING, R-32 SPLIT SYSTEM HEAT PUMP

UP TO 17.2 SEER2 AND 8.2 HSPF2



Contents

Nomenclature.....	2
Product Specifications.....	3
Expanded Cooling Data.....	4
Expanded Heating Data.....	20
Wiring Diagram.....	22
Dimensions	23
Accessories	23



Standard Features

- Two-Stage Copeland® UltraTech scroll compressor
- High-density foam compressor sound blanket
- Integrated communicating ComfortBridge™ technology
- Commissioning and diagnostics via indoor board Bluetooth with the CoolCloud™ phone and tablet application
- Goodman® GTST Connected Thermostat Compatibility
- ComfortAlert™ built in diagnostics
- Copper tube/enhanced aluminum fin coil - 5mm on 2.0-3.0T
- Copper tube/enhanced aluminum fin coil -7mm on 4.0-5.0 T
- Efficient, two-speed ECM condenser fan motor
- Simple low-voltage wiring to outdoor unit in communicating mode
- Diagnostic indicator lights and storage of six fault codes
- Color-coded terminal strip for non-communicating set-up
- High- and low-pressure switches
- Time-delay technology with short-cycle protection to ensure quiet, reliable defrost
- Factory-installed bi-flow liquid-line filter drier
- Factory-installed suction-line accumulator
- Factory-installed compressor crankcase heater
- Factory-installed high-capacity muffler
- Factory-installed coil and ambient temperature sensors
- AHRI Certified; ETL Listed

Cabinet Features

- Grille-style sound control top design
- Custom Nickel Gray powder-paint finish
- 500-hour salt-spray tested
- Wire fan discharge grille
- Steel louver coil guard
- Single panel access to controls
- with space provided for field-installed accessories
- Sweat connection service valves
- with easy access to gauge ports
- When properly anchored, meets the 2024 Florida
- Building Code unit integrity requirements for
- hurricane-type winds (Anchor bracket kits available.)







Products that are recognized as the Most Efficient of ENERGY STAR® in 2024 prevent greenhouse gas emissions by meeting rigorous energy efficiency performance levels set by the U.S. Environmental Protection Agency.

* Proper sizing and installation of equipment is critical to achieve optimal performance. Split system air conditioners and heat pumps must be matched with appropriate coil components to meet ENERGY STAR criteria. Ask your contractor for details or visit www.energystar.gov.



* Complete warranty details available from your local dealer or at www.goodmanmfg.com. To receive the Lifetime Compressor Limited Warranty (good for as long as you own your home), 10-Year Compressor Replacement Limited Warranty and 10-Year Parts Limited Warranty, online registration must be completed within 60 days of installation. Online registration and some of the additional requirements are not required in Florida, California, or Québec. The duration of warranty coverage in Texas and Florida differs in some cases. Other limitations and exclusions apply; refer to complete warranty details for a full list of limitations and exclusions.

	GLZT7CA 2410A*	GLZT7CA 610A*	GLZT7CA 4810A*	GLZT7CA 6010A*
NOMINAL CAPACITIES				
Cooling (BTU/h)	24,000	36,000	48,000	60,000
Heating (BTU/h)	24,000	36,000	48,000	60,000
Decibels	72	71	75	75
COMPRESSOR				
RLA	9.9	14.6	23.3	27.1
LRA	67.5	91.0	128.4	178.0
Stage	Two	Two	Two	Two
Type	Scroll	Scroll	Scroll	Scroll
CONDENSER FAN MOTOR				
Motor Type	ECM	ECM	ECM	ECM
Horsepower	1/3	1/3	1/3	1/3
FLA	2.80	2.80	2.80	2.80
REFRIGERATION SYSTEM				
Refrigerant Line Size ¹				
Liquid Line Size ("O.D.)	3/8"	3/8"	3/8"	3/8"
Suction Line Size ("O.D.)	3/4"	7/8"	1 1/8"	1 1/8"
Refrigerant Connection Size				
Liquid Valve Size ("O.D.)	3/8"	3/8"	3/8"	3/8"
Suction Valve Size ("O.D.)	3/4"	7/8"	1 1/8"	1 1/8"
Valve Connection Type	Sweat	Sweat	Sweat	Sweat
Refrigerant Charge (oz.)	103	129	229	198
ELECTRICAL DATA				
Voltage-Phase-Hz	208/230-1-60	208/230-1-60	208/230-1-60	208/230-1-60
Minimum Circuit Ampacity ²	15.0	20.8	31.6	36.4
Max. Overcurrent Protection ³	20	35	50	60
Min / Max Volts	197/253	197/253	197/253	197/253
Electrical Conduit Size	1/2" or 3/4"	1/2" or 3/4"	1/2" or 3/4"	1/2" or 3/4"
UNIT WEIGHTS				
Equipment Weight	219	262	308	306
Shipping Weight	235	277	323	321
ENERGY STAR® CERTIFIED [^]				
				

¹ Tested and rated in accordance with AHRI Standard 210/240

² Wire size should be determined in accordance with National Electrical Codes; extensive wire runs will require larger wire sizes

³ Must use time-delay fuses or HACR-type circuit breakers of the same size as noted.

NOTES

- Always check the rating plate for electrical data on the unit being installed.
- Installer will need to supply 3/8" to 1 1/8" adapters for suction line connections.
- Unit is charged with refrigerant for 15' of 3/8" liquid line. System charge must be adjusted per Installation Instructions Final Charge Procedure.
- Installation of these units requires the specified TXV Kit to be installed on the indoor coil. THE SPECIFIED TXV IS DETERMINED BY THE OUTDOOR UNIT, NOT THE INDOOR COIL.

[^] ENERGY STAR NOTES

- Products that are recognized as the Most Efficient of **ENERGY STAR®** in 2024 prevent greenhouse gas emissions by meeting rigorous energy efficiency performance levels set by the U.S. Environmental Protection Agency.
- Proper sizing and installation of equipment is critical to achieving optimal performance. Split system air conditioners and heat pumps must be matched with appropriate coil components to meet **ENERGY STAR®** criteria. Ask your contractor for details or visit www.energystar.gov.
- The www.energystar.gov website provides up-to-date system combinations certified to meet **ENERGY STAR®** requirements

EXPANDING COOLING DATA — GLZT7CA2410A*+DMVT30BP1300A* (CONT.)

IDB	AIRFLOW	OUTDOOR AMBIENT TEMPERATURE																							
		65°F				75°F				85°F				95°F				105°F				115°F			
		59	63	67	71	59	63	67	71	59	63	67	71	59	63	67	71	59	63	67	71	59	63	67	71
80	Capacity	24626	24970	25700	26814	24407	24752	25481	26595	23769	24114	24844	25958	22672	23017	23747	24861	21332	21677	22406	23520	20108	20453	21182	22296
	S/T	1.00	0.79	0.66	0.52	1.00	0.80	0.66	0.52	1.00	0.82	0.69	0.55	1.00	1.00	0.71	0.57	1.00	1.00	0.73	0.59	1.00	1.00	0.78	0.64
	Evap dT	28	26	23	19	28	26	22	19	28	26	23	19	28	26	22	19	27	26	22	19	29	27	23	20
	Pr Suc	127	129	132	137	135	136	139	145	141	143	146	152	147	149	152	157	153	154	157	163	160	161	164	170
	Pr Dis	237	238	240	244	274	275	277	281	313	314	316	320	355	356	358	362	400	402	403	407	449	450	451	456
	Amps	4.6	4.6	4.6	4.6	5.2	5.2	5.2	5.2	5.9	5.9	5.9	5.9	6.6	6.6	6.6	6.7	7.5	7.5	7.5	7.5	8.5	8.5	8.5	8.5
	kW	1.24	1.23	1.23	1.24	1.38	1.38	1.38	1.39	1.54	1.54	1.54	1.55	1.71	1.71	1.71	1.72	1.90	1.90	1.90	1.91	2.13	2.13	2.13	2.14
80	Capacity	24879	25224	25953	27067	24660	25005	25734	26849	24023	24367	25097	26211	22926	23270	24000	25114	21585	21930	22659	23773	20361	20706	21435	22549
	S/T	1.00	0.83	0.70	0.56	1.00	0.84	0.71	0.57	1.00	0.86	0.73	0.59	1.00	1.00	0.75	0.61	1.00	1.00	0.77	0.63	1.00	1.00	0.82	0.68
	Evap dT	27	25	22	18	27	25	22	18	27	25	22	18	27	25	22	18	27	25	21	18	28	26	23	19
	Pr Suc	128	130	133	139	136	138	141	146	143	144	148	153	149	150	153	159	154	156	159	164	161	163	166	171
	Pr Dis	239	240	241	245	276	277	278	283	315	316	317	322	357	358	359	364	402	403	405	409	450	451	453	457
	Amps	4.6	4.6	4.6	4.6	5.2	5.2	5.2	5.2	5.9	5.9	5.9	5.9	6.7	6.7	6.7	6.7	7.5	7.5	7.5	7.5	8.5	8.5	8.5	8.5
	kW	1.24	1.24	1.24	1.25	1.38	1.38	1.38	1.39	1.54	1.54	1.54	1.55	1.72	1.72	1.72	1.72	1.91	1.91	1.91	1.92	2.14	2.14	2.14	2.14
900	Capacity	25390	25735	26464	27578	25171	25516	26245	27360	24534	24878	25608	26722	23437	23782	24511	25625	22096	22441	23170	24284	20872	21217	21946	23061
	S/T	1.00	0.87	0.74	0.60	1.00	0.88	0.75	0.60	1.00	1.00	0.77	0.63	1.00	1.00	0.79	0.65	1.00	1.00	0.81	0.67	1.00	1.00	1.00	0.72
	Evap dT	26	24	20	17	26	24	20	17	26	24	21	17	26	24	20	17	25	24	20	17	27	25	21	18
	Pr Suc	131	133	136	141	139	140	144	149	146	147	150	156	151	153	156	161	157	158	162	167	164	165	169	174
	Pr Dis	241	242	244	248	278	279	281	285	317	318	320	324	359	360	362	366	405	406	407	411	453	454	456	460
	Amps	4.6	4.6	4.6	4.7	5.3	5.2	5.2	5.3	5.9	5.9	5.9	6.0	6.7	6.7	6.7	6.7	7.5	7.5	7.5	7.5	8.5	8.5	8.5	8.6
	kW	1.25	1.25	1.25	1.26	1.39	1.39	1.39	1.40	1.55	1.55	1.55	1.56	1.73	1.73	1.73	1.73	1.92	1.92	1.92	1.93	2.15	2.15	2.14	2.15

700	Capacity	25037	25382	26111	27225	24818	25163	25893	27007	24181	24526	25255	26369	23084	23429	24158	25272	21743	22088	22817	23932	20519	20864	21594	22708
	S/T	1.00	0.89	0.76	0.62	1.00	1.00	0.76	0.62	1.00	1.00	0.79	0.65	1.00	1.00	0.81	0.67	1.00	1.00	1.00	0.69	1.00	1.00	1.00	0.74
	Evap dT	31	30	26	23	31	30	26	23	32	30	26	23	31	29	26	22	31	29	26	22	32	30	27	23
	Pr Suc	129	130	134	139	137	138	141	147	143	145	148	153	149	151	154	159	155	156	159	165	162	163	166	172
	Pr Dis	238	239	241	245	275	276	278	282	314	315	317	321	356	357	359	363	402	403	404	408	450	451	453	457
	Amps	4.6	4.6	4.6	4.6	5.2	5.2	5.2	5.2	5.9	5.9	5.9	5.9	6.7	6.6	6.6	6.7	7.5	7.5	7.5	7.5	8.5	8.5	8.5	8.5
	kW	1.24	1.24	1.24	1.25	1.38	1.38	1.38	1.39	1.54	1.54	1.54	1.55	1.71	1.71	1.71	1.72	1.91	1.91	1.91	1.92	2.13	2.13	2.13	2.14
775	Capacity	25290	25635	26364	27479	25072	25416	26146	27260	24434	24779	25508	26622	23337	23682	24411	25525	21996	22341	23071	24185	20772	21117	21847	22961
	S/T	1.00	0.93	0.80	0.66	1.00	1.00	0.81	0.67	1.00	1.00	0.83	0.69	1.00	1.00	0.85	0.71	1.00	1.00	1.00	0.73	1.00	1.00	1.00	0.78
	Evap dT	31	29	25	22	31	29	25	22	31	29	25	22	31	29	25	22	30	28	25	21	31	30	26	23
	Pr Suc	130	132	135	140	138	140	143	148	145	146	149	155	150	152	155	161	156	158	161	166	163	165	168	173
	Pr Dis	240	241	242	246	277	278	280	284	316	317	319	323	358	359	361	365	403	404	406	410	451	452	454	458
	Amps	4.6	4.6	4.6	4.6	5.2	5.2	5.2	5.3	5.9	5.9	5.9	6.0	6.7	6.7	6.7	6.7	7.5	7.5	7.5	7.5	8.5	8.5	8.5	8.5
	kW	1.24	1.24	1.24	1.25	1.39	1.39	1.38	1.39	1.55	1.55	1.54	1.55	1.72	1.72	1.72	1.73	1.91	1.91	1.91	1.92	2.14	2.14	2.14	2.15
900	Capacity	25801	26146	26875	27990	25583	25928	26657	27771	24945	25290	26019	27133	23848	24193	24922	26037	22507	22852	23582	24696	21283	21628	22358	23472
	S/T	1.00	0.97	0.84	0.70	1.00	1.00	0.85	0.70	1.00	1.00	0.87	0.73	1.00	1.00	0.89	0.75	1.00	1.00	1.00	0.77	1.00	1.00	1.00	0.82
	Evap dT	29	28	24	21	29	27	24	20	30	28	24	21	29	27	24	20	29	27	24	20	30	28	25	21
	Pr Suc	133	135	138	143	141	142	145	151	147	149	152	158	153	155	158	163	159	160	163	169	166	167	170	176
	Pr Dis	242	243	245	249	279	280	282	286	318	319	321	325	360	361	363	367	406	407	408	412	454	455	457	461
	Amps	4.6	4.6	4.6	4.7	5.3	5.3	5.2	5.3	6.0	6.0	6.0	6.0	6.7	6.7	6.7	6.7	7.5	7.5	7.5	7.5	8.5	8.5	8.5	8.6
	kW	1.25	1.25	1.25	1.26	1.40	1.39	1.39	1.40	1.56	1.55	1.55	1.56	1.73	1.73	1.73	1.74	1.92	1.92	1.92	1.93	2.15	2.15	2.15	2.16

IDB: Entering Indoor Dry Bulb Temperature
 High and low pressures are measured at the liquid and suction service valves.
 Shaded area reflects AHRI (TVA) conditions
 kW = Total system power
 Amps = outdoor unit amps (compressor + fan)

EXPANDING COOLING DATA — GLZT7CA2410A*+DMVT30BP1300A* (70%) (CONT.)

IDB	AIRFLOW	OUTDOOR AMBIENT TEMPERATURE																							
		65°F				75°F				85°F				95°F				105°F				115°F			
		59	63	67	71	59	63	67	71	59	63	67	71	59	63	67	71	59	63	67	71	59	63	67	71
80	Capacity	17706	17954	18478	19279	17549	17797	18321	19122	17090	17338	17863	18664	16301	16549	17074	17875	15338	15585	16110	16911	14458	14705	15230	16031
	S/T	1.00	0.81	0.67	0.53	1.00	0.82	0.68	0.54	1.00	1.00	0.71	0.56	1.00	1.00	0.73	0.58	1.00	1.00	0.75	0.60	1.00	1.00	0.75	0.60
	Evap dT	27	25	22	18	27	25	22	18	27	25	22	18	27	25	22	18	27	25	21	18	27	25	21	18
	Pr Suc	131	132	135	141	138	140	143	149	145	147	150	156	151	153	156	162	157	159	162	167	164	166	169	174
	Pr Dis	227	228	229	233	262	263	265	269	299	300	302	306	340	341	342	346	383	384	385	389	429	430	432	436
	Amps	2.9	2.9	2.9	2.9	3.3	3.3	3.3	3.3	3.7	3.7	3.7	3.7	4.2	4.2	4.2	4.2	4.7	4.7	4.7	4.7	5.3	5.3	5.3	5.3
	kW	0.78	0.78	0.78	0.78	0.87	0.87	0.87	0.87	0.97	0.97	0.97	0.97	1.08	1.08	1.07	1.08	1.20	1.20	1.20	1.20	1.34	1.34	1.34	1.35
	Capacity	17888	18136	18660	19461	17731	17979	18503	19304	17272	17520	18045	18846	16483	16731	17256	18057	15520	15768	16292	17093	14640	14888	15412	16213
	S/T	1.00	0.86	0.72	0.57	1.00	0.86	0.73	0.58	1.00	1.00	0.75	0.61	1.00	1.00	0.77	0.63	1.00	1.00	0.79	0.65	1.00	1.00	0.79	0.65
	Evap dT	26	24	21	17	26	24	21	17	26	24	21	18	26	24	21	17	26	24	21	17	26	24	21	18
Pr Suc	132	134	137	142	140	142	145	150	147	148	152	157	153	154	158	163	158	160	163	169	166	167	170	176	
Pr Dis	228	229	231	235	264	265	266	270	301	302	303	307	341	342	344	348	384	385	387	391	431	432	433	437	
Amps	2.9	2.9	2.9	2.9	3.3	3.3	3.3	3.3	3.7	3.7	3.7	3.7	4.2	4.2	4.2	4.2	4.7	4.7	4.7	4.7	5.3	5.3	5.3	5.4	
kW	0.78	0.78	0.78	0.79	0.87	0.87	0.87	0.88	0.97	0.97	0.97	0.98	1.08	1.08	1.08	1.08	1.20	1.20	1.20	1.21	1.34	1.34	1.34	1.35	
Capacity	18255	18503	19028	19829	18098	18346	18871	19672	17640	17888	18412	19213	16851	17099	17623	18424	15887	16135	16659	17461	15007	15255	15779	16581	
S/T	1.00	0.90	0.76	0.61	1.00	0.90	0.77	0.62	1.00	1.00	0.79	0.65	1.00	1.00	0.81	0.67	1.00	1.00	0.83	0.69	1.00	1.00	0.83	0.69	
Evap dT	25	23	20	16	25	23	20	16	25	23	20	17	25	23	20	16	25	23	21	16	26	24	21	17	
Pr Suc	135	136	140	145	143	144	148	153	150	151	155	160	155	157	160	166	161	163	166	172	168	170	173	179	
Pr Dis	230	231	233	237	266	267	269	273	303	304	306	310	343	344	346	350	387	388	389	393	433	434	435	439	
Amps	2.9	2.9	2.9	2.9	3.3	3.3	3.3	3.3	3.7	3.7	3.7	3.8	4.2	4.2	4.2	4.2	4.7	4.7	4.7	4.7	5.4	5.4	5.4	5.4	
kW	0.79	0.79	0.78	0.79	0.88	0.88	0.87	0.88	0.98	0.98	0.97	0.98	1.09	1.08	1.08	1.09	1.21	1.21	1.20	1.21	1.35	1.35	1.35	1.35	

85	Capacity	18002	18250	18774	19575	17844	18092	18617	19418	17386	17634	18158	18959	16597	16845	17370	18171	15633	15881	16406	17207	14753	15001	15526	16327
	S/T	1.00	0.91	0.78	0.63	1.00	1.00	0.78	0.64	1.00	1.00	0.81	0.66	1.00	1.00	0.83	0.68	1.00	1.00	0.85	0.71	1.00	1.00	0.85	0.71
	Evap dT	30	29	25	22	30	28	25	22	31	29	25	22	30	28	25	22	30	28	25	21	31	29	26	23
	Pr Suc	133	134	137	143	140	142	145	151	147	149	152	158	153	155	158	164	159	160	164	169	166	168	171	176
	Pr Dis	228	229	230	234	263	264	266	270	300	301	303	307	341	342	343	347	384	385	386	390	430	431	433	437
	Amps	2.9	2.9	2.9	2.9	3.3	3.3	3.3	3.3	3.7	3.7	3.7	3.7	4.2	4.2	4.2	4.2	4.7	4.7	4.7	4.7	5.3	5.3	5.3	5.4
	kW	0.78	0.78	0.78	0.78	0.87	0.87	0.87	0.87	0.97	0.97	0.97	0.97	1.08	1.08	1.08	1.08	1.20	1.20	1.20	1.20	1.34	1.34	1.34	1.35
	Capacity	18184	18432	18956	19757	18026	18274	18799	19600	17568	17816	18340	19142	16779	17027	17552	18353	15815	16063	16588	17389	14935	15183	15708	16509
	S/T	1.00	1.00	0.82	0.68	1.00	1.00	0.83	0.68	1.00	1.00	0.85	0.71	1.00	1.00	0.87	0.73	1.00	1.00	0.90	0.75	1.00	1.00	0.90	0.75
	Evap dT	29	28	24	21	29	28	24	21	30	28	25	21	29	28	24	21	29	27	24	21	30	29	25	22
Pr Suc	134	136	139	144	142	143	147	152	149	150	154	159	155	156	160	165	160	162	165	171	168	169	172	178	
Pr Dis	229	230	232	236	265	266	267	271	302	303	305	308	342	343	345	349	385	386	388	392	432	433	434	438	
Amps	2.9	2.9	2.9	2.9	3.3	3.3	3.3	3.3	3.7	3.7	3.7	3.7	4.2	4.2	4.2	4.2	4.7	4.7	4.7	4.7	5.3	5.3	5.3	5.4	
kW	0.78	0.78	0.78	0.79	0.87	0.87	0.87	0.88	0.97	0.97	0.97	0.98	1.08	1.08	1.08	1.09	1.20	1.20	1.20	1.21	1.35	1.35	1.35	1.35	
Capacity	18551	18799	19323	20125	18394	18642	19166	19967	17935	18183	18708	19509	17147	17395	17919	18720	16183	16431	16955	17756	15303	15551	16076	16876	
S/T	1.00	1.00	0.86	0.72	1.00	1.00	0.87	0.72	1.00	1.00	0.89	0.75	1.00	1.00	0.90	0.77	1.00	1.00	0.90	0.79	1.00	1.00	0.90	0.79	
Evap dT	28	27	23	20	28	27	23	20	29	27	23	20	28	27	23	20	28	26	23	20	29	27	24	21	
Pr Suc	137	138	142	147	145	146	150	155	152	153	156	162	157	159	162	168	163	165	168	174	170	172	175	181	
Pr Dis	232	232	234	238	267	268	270	274	304	305	307	311	345	345	347	351	388	389	390	394	434	435	437	440	
Amps	2.9	2.9	2.9	2.9	3.3	3.3	3.3	3.3	3.7	3.7	3.7	3.8	4.2	4.2	4.2	4.2	4.7	4.7	4.7	4.7	5.4	5.4	5.4	5.4	
kW	0.79	0.79	0.79	0.79	0.88	0.88	0.88	0.88	0.98	0.98	0.98	0.98	1.09	1.09	1.08	1.09	1.21	1.21	1.21	1.21	1.35	1.35	1.35	1.36	

IDB: Entering Indoor Dry Bulb Temperature
 High and low pressures are measured at the liquid and suction service valves.
 Shaded area reflects AHRI (TVA) conditions
 kW = Total system power
 Amps = outdoor unit amps (compressor + fan)

EXPANDING COOLING DATA — GLZT7CA3610A*+DMVT42CP1300A*

IDB		OUTDOOR AMBIENT TEMPERATURE																																																																																																																																																																																		
		65°F						75°F						85°F						95°F						105°F						115°F																																																																																																																																																				
		59	63	67	71	75	79	59	63	67	71	75	79	59	63	67	71	75	79	59	63	67	71	75	79	59	63	67	71	75	79	59	63	67	71	75	79																																																																																																																																															
1050		Capacity	35430	35930	36988	-	35113	35613	36671	-	34189	34689	35746	-	32598	33098	34156	-	30654	31154	32212	-	28880	29380	30437	-	S/T	0.63	0.55	0.41	-	0.63	0.56	0.42	-	0.66	0.58	0.44	-	1.00	0.60	0.46	-	1.00	0.62	0.48	-	1.00	0.68	0.54	-	Evap dT	19	17	14	-	19	17	14	-	19	18	14	-	19	17	14	-	19	17	14	-	19	17	14	-	20	18	15	-	Pr Suc	124	125	128	-	131	133	136	-	138	139	142	-	143	145	148	-	149	150	153	-	156	157	160	-	Pr Dis	236	237	239	-	273	274	276	-	312	313	315	-	354	355	357	-	399	401	402	-	448	449	450	-	Amps	6.5	6.5	6.5	-	7.4	7.4	7.4	-	8.5	8.5	8.5	-	9.6	9.6	9.6	-	10.9	10.9	10.9	-	12.4	12.4	12.3	-	kW	1.84	1.84	1.84	-	2.06	2.05	2.05	-	2.30	2.29	2.29	-	2.56	2.55	2.55	-	2.85	2.85	2.84	-	3.19	3.19	3.18	-
70		Capacity	35870	36370	37428	-	35553	36053	37111	-	34629	35129	36186	-	33038	33538	34596	-	31094	31594	32652	-	29319	29819	30877	-	S/T	0.68	0.61	0.47	-	0.69	0.61	0.47	-	0.72	0.64	0.50	-	1.00	0.66	0.52	-	1.00	0.68	0.54	-	1.00	0.73	0.59	-	Evap dT	18	16	13	-	18	16	13	-	18	17	13	-	18	16	13	-	18	16	13	-	19	17	14	-	Pr Suc	125	127	130	-	133	134	138	-	139	141	144	-	145	147	150	-	150	152	155	-	157	159	162	-	Pr Dis	238	239	241	-	275	276	278	-	314	315	317	-	356	357	359	-	401	402	404	-	450	451	452	-	Amps	6.5	6.5	6.5	-	7.5	7.5	7.5	-	8.5	8.5	8.5	-	9.7	9.7	9.6	-	10.9	10.9	10.9	-	12.4	12.4	12.4	-	kW	1.85	1.85	1.85	-	2.07	2.06	2.06	-	2.31	2.31	2.30	-	2.57	2.57	2.56	-	2.86	2.86	2.85	-	3.20	3.20	3.19	-				
1350		Capacity	36475	36975	38033	-	36158	36658	37716	-	35234	35734	36792	-	33643	34143	35201	-	31699	32199	33257	-	29925	30425	31482	-	S/T	0.72	0.64	0.50	-	0.73	0.65	0.51	-	0.75	0.67	0.54	-	1.00	0.69	0.56	-	1.00	0.72	0.58	-	1.00	0.77	0.63	-	Evap dT	17	15	12	-	17	15	12	-	17	16	12	-	17	15	12	-	17	15	12	-	18	16	13	-	Pr Suc	127	129	132	-	135	137	140	-	142	143	146	-	147	149	152	-	153	154	157	-	159	161	164	-	Pr Dis	240	241	243	-	277	278	280	-	316	317	319	-	358	359	361	-	403	404	406	-	452	453	454	-	Amps	6.6	6.6	6.6	-	7.5	7.5	7.5	-	8.6	8.6	8.6	-	9.7	9.7	9.7	-	11.0	11.0	10.9	-	12.5	12.4	12.4	-	kW	1.86	1.86	1.86	-	2.08	2.07	2.07	-	2.32	2.32	2.31	-	2.58	2.58	2.57	-	2.87	2.87	2.86	-	3.21	3.21	3.20	-				

1050		Capacity	35451	35951	37009	38624	35134	35634	36692	38307	34209	34709	35767	37383	32619	33119	34176	35792	30675	31175	32233	33848	28900	29400	30458	32073	S/T	0.76	0.68	0.54	0.40	0.77	0.69	0.55	0.40	0.77	0.69	0.55	0.40	0.77	0.69	0.55	0.40	0.77	0.69	0.55	0.40	0.77	0.69	0.55	0.40	0.77	0.69	0.55	0.40	Evap dT	23	21	18	15	23	21	18	14	23	22	18	15	23	22	18	15	23	22	18	15	23	21	18	14	24	22	19	15	Pr Suc	124	125	128	134	131	133	136	141	138	139	142	148	143	145	148	153	149	150	153	159	156	157	160	166	Pr Dis	236	237	239	243	273	274	276	280	312	313	315	319	354	355	357	361	400	401	402	407	448	449	451	455	Amps	6.5	6.5	6.5	6.5	7.4	7.4	7.4	7.5	8.5	8.5	8.5	8.5	9.6	9.6	9.6	9.7	10.9	10.9	10.9	10.9	12.4	12.3	12.3	12.4	kW	1.84	1.84	1.84	1.85	2.05	2.05	2.05	2.07	2.30	2.29	2.29	2.31	2.56	2.55	2.55	2.57	2.85	2.84	2.84	2.86	3.19	3.19	3.18	3.20
75		Capacity	35891	36391	37448	39064	35574	36074	37132	38747	34649	35149	36207	37823	33059	33559	34616	36232	31115	31615	32672	34288	29340	29840	30898	32513	S/T	0.82	0.74	0.60	0.45	0.82	0.74	0.61	0.46	0.82	0.74	0.61	0.46	0.82	0.79	0.65	0.50	1.00	0.81	0.67	0.53	1.00	1.00	0.73	0.58	Evap dT	22	20	17	14	22	20	17	13	22	20	17	14	22	20	17	13	22	20	17	13	23	21	18	14	Pr Suc	125	127	130	135	133	134	138	143	139	141	144	149	145	150	155	160	155	150	152	155	160	157	159	162	167	Pr Dis	238	239	241	245	275	276	278	282	314	315	317	321	356	357	359	363	402	403	404	408	450	451	453	457	Amps	6.5	6.5	6.5	6.6	7.5	7.5	7.5	7.5	8.5	8.5	8.5	8.6	9.7	9.6	9.6	9.7	10.9	10.9	10.9	11.0	12.4	12.4	12.4	12.4	kW	1.85	1.85	1.84	1.86	2.07	2.06	2.06	2.08	2.31	2.30	2.30	2.32	2.57	2.56	2.56	2.58	2.86	2.85	2.85	2.87	3.20	3.20	3.19	3.21							
1350		Capacity	36496	36996	38054	39669	36179	36679	37737	39352	35254	35755	36812	38428	33664	34164	35222	36837	31720	32220	33278	34893	29945	30445	31503	33119	S/T	0.85	0.78	0.64	0.49	1.00	0.78	0.64	0.50	1.00	0.81	0.67	0.52	1.00	0.83	0.69	0.54	1.00	0.85	0.71	0.56	1.00	1.00	0.76	0.62	Evap dT	21	19	16	13	21	19	16	13	21	20	16	13	21	19	16	12	21	19	16	12	22	20	17	13	Pr Suc	128	129	132	137	135	137	140	145	142	143	146	152	147	149	152	157	157	153	154	157	163	159	161	164	169	Pr Dis	240	241	243	247	277	278	280	284	316	317	319	323	358	359	361	365	404	405	406	410	452	453	455	459	Amps	6.6	6.6	6.6	6.6	7.5	7.5	7.5	7.6	8.6	8.6	8.6	8.6	9.7	9.7	9.7	9.7	11.0	11.0	10.9	11.0	12.4	12.4	12.4	12.5	kW	1.86	1.86	1.85	1.87	2.08	2.07	2.07	2.09	2.32	2.31	2.31	2.33	2.58	2.57	2.57	2.59	2.87	2.86	2.86	2.88	3.21	3.21	3.20	3.22							

IDB: Entering Indoor Dry Bulb Temperature
 High and low pressures are measured at the liquid and suction service valves.
 Shaded area reflects ACCA (TVA) conditions
 kW = Total system power
 Amps = outdoor unit amps (compressor + fan)

EXPANDING COOLING DATA — GLZT7CA3610A*+DMVT42CP1300A* (CONT.)

IDB	AIRFLOW	OUTDOOR AMBIENT TEMPERATURE																							
		65°F				75°F				95°F				105°F				115°F							
		59	63	67	71	59	63	67	71	59	63	67	71	59	63	67	71	59	63	67	71				
1050	Capacity	35634	36134	37192	38807	35317	35817	36875	38491	34393	34893	35951	37566	32802	33302	34360	35975	30858	31358	32416	34031	29084	29584	30641	32257
	S/T	1.00	0.81	0.67	0.52	1.00	0.82	0.68	0.53	1.00	0.84	0.70	0.56	1.00	1.00	0.72	0.58	1.00	1.00	0.75	0.60	1.00	1.00	0.80	0.65
	Evap dT	27	25	22	18	27	25	22	18	27	25	22	19	27	25	22	18	27	25	22	18	28	26	23	19
	Pr Suc	124	126	129	134	132	133	136	142	138	140	143	148	144	145	149	154	149	151	154	159	156	158	161	166
	Pr Dis	237	238	239	243	274	275	277	281	313	314	316	320	355	356	358	362	400	401	403	407	448	449	451	455
Amps	6.5	6.5	6.5	6.6	7.4	7.4	7.4	7.5	8.5	8.5	8.5	8.5	9.6	9.6	9.6	9.7	10.9	10.9	10.9	10.9	12.4	12.4	12.4	12.4	
kW	1.84	1.84	1.84	1.85	2.06	2.05	2.05	2.07	2.30	2.29	2.29	2.31	2.56	2.55	2.55	2.57	2.85	2.85	2.85	2.86	3.19	3.19	3.19	3.20	
80	Capacity	36074	36574	37632	39247	35757	36257	37315	38930	34833	35333	36390	38006	33242	33742	34800	36415	31298	31798	32856	34471	29523	30024	31081	32697
	S/T	1.00	0.87	0.73	0.58	1.00	0.87	0.73	0.59	1.00	0.90	0.76	0.61	1.00	1.00	0.78	0.63	1.00	1.00	0.80	0.66	1.00	1.00	0.86	0.71
	Evap dT	26	24	21	18	27	25	22	18	27	25	22	18	27	25	22	18	27	25	21	18	28	26	23	19
	Pr Suc	126	127	131	136	133	135	138	143	140	142	145	150	146	147	150	155	151	153	156	161	158	159	163	168
	Pr Dis	239	240	241	245	276	277	278	283	315	316	317	322	357	358	359	364	402	403	405	409	450	451	453	457
Amps	6.5	6.5	6.5	6.6	7.5	7.5	7.5	7.5	8.5	8.5	8.5	8.6	9.7	9.7	9.6	9.7	10.9	10.9	10.9	11.0	12.4	12.4	12.4	12.5	
kW	1.85	1.85	1.85	1.86	2.07	2.06	2.06	2.08	2.31	2.30	2.30	2.32	2.57	2.57	2.56	2.58	2.86	2.86	2.86	2.87	3.20	3.20	3.20	3.21	
1350	Capacity	36679	37179	38237	39853	36362	36862	37920	39536	35438	35938	36996	38611	33847	34347	35405	37021	31903	32403	33461	35077	30129	30629	31686	33302
	S/T	1.00	0.90	0.76	0.62	1.00	0.91	0.77	0.62	1.00	0.94	0.80	0.65	1.00	1.00	0.82	0.67	1.00	1.00	0.84	0.69	1.00	1.00	0.89	0.75
	Evap dT	25	23	20	17	25	23	20	16	25	23	20	17	25	23	20	16	25	23	20	16	26	24	21	18
	Pr Suc	128	130	133	138	136	137	140	146	142	144	147	152	148	149	152	158	153	155	158	163	160	162	165	170
	Pr Dis	241	242	243	247	278	279	281	285	317	318	320	324	359	360	362	366	404	405	407	411	452	453	455	459
Amps	6.6	6.6	6.6	6.6	7.5	7.5	7.5	7.6	8.6	8.6	8.5	8.6	9.7	9.7	9.7	9.8	11.0	11.0	10.9	11.0	12.5	12.4	12.4	12.5	
kW	1.86	1.86	1.86	1.87	2.08	2.07	2.07	2.09	2.32	2.31	2.31	2.33	2.58	2.58	2.57	2.59	2.87	2.87	2.86	2.88	3.21	3.21	3.21	3.22	

1050	Capacity	36231	36731	37789	39404	35914	36414	37472	39087	34989	35489	36547	38163	33399	33899	34956	36572	31455	31955	33012	34628	29680	30180	31238	32853
	S/T	1.00	0.91	0.78	0.63	1.00	0.92	0.78	0.63	1.00	1.00	0.81	0.66	1.00	1.00	0.83	0.68	1.00	1.00	0.85	0.70	1.00	1.00	1.00	0.76
	Evap dT	31	29	25	22	30	29	25	22	31	29	26	22	30	29	25	22	30	28	25	22	31	30	26	23
	Pr Suc	126	128	131	136	134	135	138	143	140	142	145	150	146	147	150	156	151	153	156	161	158	160	163	168
	Pr Dis	238	239	240	245	275	276	278	282	314	315	317	321	356	357	359	363	401	402	404	408	450	451	452	456
Amps	6.5	6.5	6.5	6.6	7.5	7.4	7.4	7.5	8.5	8.5	8.5	8.5	9.6	9.6	9.6	9.7	10.9	10.9	10.9	10.9	12.4	12.4	12.4	12.4	
kW	1.84	1.84	1.84	1.86	2.06	2.06	2.05	2.07	2.30	2.30	2.29	2.31	2.56	2.56	2.56	2.57	2.85	2.85	2.85	2.86	3.19	3.19	3.19	3.20	
1190	Capacity	36671	37171	38228	39844	36354	36854	37911	39527	35429	35929	36987	38603	33839	34339	35396	37012	31895	32395	33452	35068	30120	30620	31678	33293
	S/T	1.00	0.97	0.83	0.69	1.00	1.00	0.84	0.69	1.00	1.00	0.86	0.72	1.00	1.00	0.88	0.74	1.00	1.00	0.91	0.76	1.00	1.00	1.00	0.81
	Evap dT	30	28	24	21	29	28	24	21	30	28	25	21	29	28	24	21	29	27	24	21	30	29	25	22
	Pr Suc	128	129	132	138	135	137	140	145	142	143	147	152	147	149	152	157	153	154	158	163	160	161	164	170
	Pr Dis	240	241	242	246	277	278	280	284	316	317	319	323	358	359	361	365	403	404	406	410	451	452	454	458
Amps	6.6	6.6	6.5	6.6	7.5	7.5	7.5	7.5	8.5	8.5	8.5	8.6	9.7	9.7	9.7	9.7	10.9	10.9	10.9	11.0	12.4	12.4	12.4	12.5	
kW	1.86	1.85	1.85	1.87	2.07	2.07	2.07	2.08	2.31	2.31	2.31	2.32	2.57	2.57	2.57	2.58	2.86	2.86	2.86	2.87	3.20	3.20	3.20	3.21	
1350	Capacity	37276	37776	38834	40449	36959	37459	38517	40132	36034	36535	37592	39208	34444	34944	36002	37617	32500	33000	34058	35673	30725	31225	32283	33898
	S/T	1.00	1.00	0.87	0.72	1.00	1.00	0.88	0.73	1.00	1.00	0.90	0.75	1.00	1.00	0.92	0.77	1.00	1.00	1.00	0.80	1.00	1.00	1.00	0.85
	Evap dT	29	27	23	20	28	27	23	20	29	27	24	20	28	27	23	20	28	26	23	20	29	28	24	21
	Pr Suc	130	131	135	140	137	139	142	147	144	146	149	154	150	151	154	160	155	157	160	165	162	163	167	172
	Pr Dis	242	243	244	249	279	280	282	286	318	319	321	325	360	361	363	367	405	406	408	412	454	455	456	460
Amps	6.6	6.6	6.6	6.7	7.5	7.5	7.5	7.6	8.6	8.6	8.6	8.6	9.7	9.7	9.7	9.8	11.0	11.0	11.0	11.0	12.5	12.5	12.4	12.5	
kW	1.87	1.86	1.86	1.88	2.08	2.08	2.08	2.09	2.32	2.32	2.32	2.33	2.58	2.58	2.58	2.59	2.87	2.87	2.87	2.88	3.21	3.21	3.21	3.22	

IDB: Entering Indoor Dry Bulb Temperature
 High and low pressures are measured at the liquid and suction service valves.
 Shaded area reflects AHRl (TVA) conditions
 kW = Total system power
 Amps = outdoor unit amps (compressor + fan)

EXPANDING COOLING DATA — GLZT7CA3610A*+DMVT42CP1300A* (70%)

IDB	AIRFLOW	OUTDOOR AMBIENT TEMPERATURE																							
		65°F				75°F				85°F				95°F				105°F				115°F			
		59	63	67	71	59	63	67	71	59	63	67	71	59	63	67	71	59	63	67	71	59	63	67	71
70	Capacity	25474	25834	26594	-	25246	25606	26366	-	24582	24941	25702	-	23438	23798	24558	-	22040	22400	23160	-	20764	21124	21884	-
	S/T	0.64	0.56	0.42	-	0.65	0.57	0.43	-	0.68	0.60	0.45	-	1.00	0.62	0.47	-	1.00	0.64	0.50	-	1.00	0.69	0.55	-
	Evap dT	18	17	14	-	18	17	14	-	19	17	14	-	18	17	14	-	18	16	13	-	19	18	14	-
	Pr Suc	127	129	132	-	135	136	140	-	142	143	146	-	147	149	152	-	153	154	158	-	160	161	165	-
	Pr Dis	127	227	228	-	261	262	264	-	298	299	301	-	339	340	341	-	382	383	384	-	428	429	431	-
	Amps	4.1	4.1	4.1	-	4.7	4.7	4.7	-	5.3	5.3	5.3	-	6.0	6.0	6.0	-	6.8	6.8	6.8	-	7.8	7.8	7.8	-
	kW	1.16	1.16	1.15	-	1.29	1.29	1.29	-	1.44	1.44	1.44	-	1.61	1.61	1.60	-	1.79	1.79	1.79	-	2.01	2.00	2.00	-
	Capacity	25791	26150	26911	-	25563	25922	26683	-	24898	25258	26018	-	23754	24114	24874	-	22357	22716	23477	-	21081	21440	22201	-
	S/T	0.70	0.62	0.48	-	0.71	0.63	0.49	-	1.00	0.66	0.51	-	1.00	0.68	0.53	-	1.00	0.70	0.56	-	1.00	0.75	0.61	-
	Evap dT	18	16	13	-	17	16	13	-	18	16	13	-	17	16	13	-	17	16	12	-	18	17	13	-
Pr Suc	129	130	134	-	137	138	141	-	143	145	148	-	149	151	154	-	155	156	159	-	162	163	166	-	
Pr Dis	227	228	230	-	263	264	266	-	300	301	303	-	340	341	343	-	384	385	386	-	430	431	432	-	
Amps	4.1	4.1	4.1	-	4.7	4.7	4.7	-	5.4	5.4	5.4	-	6.1	6.1	6.1	-	6.9	6.9	6.9	-	7.8	7.8	7.8	-	
kW	1.16	1.16	1.16	-	1.30	1.30	1.30	-	1.45	1.45	1.45	-	1.61	1.61	1.61	-	1.80	1.80	1.79	-	2.01	2.01	2.01	-	
Capacity	26226	26585	27346	-	25998	26357	27118	-	25333	25693	26453	-	24189	24549	25309	-	22792	23151	23912	-	21516	21875	22636	-	
S/T	0.74	0.66	0.52	-	0.75	0.67	0.52	-	1.00	0.69	0.55	-	1.00	0.71	0.57	-	1.00	0.74	0.59	-	1.00	1.00	0.65	-	
Evap dT	17	15	12	-	17	15	12	-	17	15	12	-	17	15	12	-	16	15	11	-	17	16	12	-	
Pr Suc	131	133	136	-	139	140	144	-	146	147	150	-	151	153	156	-	157	158	162	-	164	165	169	-	
Pr Dis	229	230	232	-	265	266	268	-	302	303	305	-	342	343	345	-	386	387	388	-	432	433	434	-	
Amps	4.1	4.1	4.1	-	4.7	4.7	4.7	-	5.4	5.4	5.4	-	6.1	6.1	6.1	-	6.9	6.9	6.9	-	7.8	7.8	7.8	-	
kW	1.17	1.17	1.17	-	1.31	1.31	1.30	-	1.46	1.46	1.45	-	1.62	1.62	1.62	-	1.80	1.80	1.80	-	2.02	2.02	2.02	-	

75	Capacity	25489	25849	26609	27771	25261	25621	26381	27543	24597	24956	25717	26878	23453	23812	24573	25734	22055	22415	23175	24337	20779	21139	21899	23061
	S/T	0.78	0.70	0.56	0.41	1.00	0.71	0.56	0.41	1.00	0.73	0.59	0.44	1.00	0.75	0.61	0.46	1.00	0.78	0.63	0.48	1.00	1.00	0.69	0.54
	Evap dT	22	21	17	14	22	21	17	14	22	21	18	14	22	20	17	14	22	20	17	14	23	21	18	15
	Pr Suc	127	129	132	137	135	136	140	145	142	143	146	152	147	149	152	158	153	154	158	163	160	162	165	170
	Pr Dis	226	227	228	232	261	262	264	268	299	300	301	305	339	340	341	345	382	383	385	389	428	429	431	435
	Amps	4.1	4.1	4.1	4.1	4.7	4.7	4.7	4.7	5.3	5.3	5.3	5.4	6.0	6.0	6.0	6.1	6.8	6.8	6.8	6.9	7.8	7.8	7.8	7.8
	kW	1.16	1.16	1.15	1.16	1.29	1.29	1.29	1.30	1.44	1.44	1.44	1.45	1.61	1.61	1.60	1.61	1.79	1.79	1.79	1.80	2.00	2.00	2.00	2.01
	Capacity	25805	26165	26925	28087	25578	25937	26698	27859	24913	25272	26033	27194	23769	24129	24889	26051	22371	22731	23491	24653	21096	21455	22215	23377
	S/T	0.84	0.76	0.62	0.46	1.00	0.77	0.62	0.47	1.00	0.79	0.65	0.50	1.00	0.81	0.67	0.52	1.00	1.00	0.69	0.54	1.00	1.00	0.75	0.60
	Evap dT	21	20	16	13	21	20	16	13	21	20	17	13	21	20	16	13	21	19	16	13	22	20	17	14
Pr Suc	129	130	134	139	137	138	141	147	143	145	148	154	149	151	154	159	155	156	159	165	162	163	167	172	
Pr Dis	228	229	230	234	263	264	266	270	300	301	303	307	341	342	343	347	384	385	386	390	430	431	433	437	
Amps	4.1	4.1	4.1	4.1	4.7	4.7	4.7	4.7	5.4	5.4	5.3	5.4	6.1	6.1	6.1	6.1	6.9	6.9	6.9	6.9	7.8	7.8	7.8	7.8	
kW	1.16	1.16	1.16	1.17	1.30	1.30	1.30	1.31	1.45	1.45	1.45	1.46	1.61	1.61	1.61	1.62	1.80	1.80	1.80	1.80	2.01	2.01	2.01	2.02	
Capacity	26241	26600	27361	28522	26013	26372	27133	28294	25348	25708	26468	27630	24204	24564	25324	26486	22807	23166	23927	25088	21531	21890	22651	23812	
S/T	0.88	0.80	0.65	0.50	1.00	0.80	0.66	0.51	1.00	0.83	0.69	0.54	1.00	0.85	0.71	0.56	1.00	1.00	0.73	0.58	1.00	1.00	0.78	0.63	
Evap dT	20	19	15	12	20	19	15	12	21	19	16	12	20	19	15	12	20	18	15	12	21	19	16	13	
Pr Suc	131	133	136	141	139	140	144	149	146	147	150	156	151	153	156	162	157	158	162	167	164	166	169	174	
Pr Dis	230	231	232	236	265	266	268	272	302	303	305	309	343	344	345	349	386	387	388	392	432	433	435	439	
Amps	4.1	4.1	4.1	4.2	4.7	4.7	4.7	4.8	5.4	5.4	5.4	5.4	6.1	6.1	6.1	6.1	6.9	6.9	6.9	6.9	7.8	7.8	7.8	7.9	
kW	1.17	1.17	1.17	1.18	1.31	1.30	1.30	1.31	1.46	1.46	1.45	1.46	1.62	1.62	1.62	1.63	1.80	1.80	1.80	1.81	2.02	2.02	2.02	2.02	

IDB: Entering Indoor Dry Bulb Temperature
 High and low pressures are measured at the liquid and suction service valves.
 Shaded area reflects ACCA (TVA) conditions
 kW = Total system power
 Amps = outdoor unit amps (compressor + fan)

EXPANDING COOLING DATA — GLZT7CA3610A*+DMVT42CP1300A* (70%) (CONT.)

IDB	AIRFLOW	OUTDOOR AMBIENT TEMPERATURE																							
		65°F				75°F				85°F				95°F				105°F				115°F			
		59	63	67	71	59	63	67	71	59	63	67	71	59	63	67	71	59	63	67	71	59	63	67	71
80	Capacity	25621	25981	26741	27903	25393	25753	26513	27675	24728	25088	25848	27010	23585	23944	24705	25866	22187	22547	23307	24469	20911	21271	22031	23193
	S/T	1.00	0.83	0.69	0.54	1.00	0.84	0.70	0.54	1.00	0.87	0.72	0.57	1.00	1.00	0.74	0.59	1.00	1.00	0.77	0.62	1.00	1.00	0.82	0.67
	Evap dT	26	24	21	18	26	24	21	18	26	25	21	18	26	24	21	18	26	24	21	18	27	25	22	19
	Pr Suc	128	129	132	138	135	137	140	146	142	144	147	152	148	149	153	158	153	155	158	164	161	162	165	171
	Pr Dis	226	227	229	233	262	263	264	268	299	300	302	306	339	340	342	346	383	384	385	389	429	430	431	435
	Amps	4.1	4.1	4.1	4.1	4.7	4.7	4.7	4.7	5.3	5.3	5.3	5.4	6.0	6.0	6.0	6.1	6.8	6.8	6.8	6.9	7.8	7.8	7.8	7.8
	kW	1.16	1.16	1.15	1.16	1.29	1.29	1.29	1.30	1.44	1.44	1.44	1.45	1.61	1.61	1.61	1.61	1.79	1.79	1.79	1.80	2.01	2.00	2.00	2.01
833	Capacity	25937	26297	27057	28219	25709	26069	26829	27991	25045	25404	26165	27326	23901	24261	25021	26183	22503	22863	23623	24785	21227	21587	22347	23509
	S/T	1.00	0.89	0.75	0.60	1.00	0.90	0.75	0.60	1.00	1.00	0.78	0.63	1.00	1.00	0.80	0.65	1.00	1.00	0.82	0.67	1.00	1.00	1.00	0.73
	Evap dT	25	23	20	17	25	23	20	17	25	24	20	17	25	23	20	17	25	23	20	17	26	24	21	18
	Pr Suc	129	131	134	140	137	139	142	147	144	145	149	154	150	151	154	160	155	157	160	165	162	164	167	172
	Pr Dis	228	229	231	235	264	265	266	270	301	302	303	307	341	342	344	348	384	385	387	391	431	432	433	437
	Amps	4.1	4.1	4.1	4.1	4.7	4.7	4.7	4.7	5.4	5.4	5.4	5.4	6.1	6.1	6.1	6.1	6.9	6.9	6.9	6.9	7.8	7.8	7.8	7.8
	kW	1.16	1.16	1.16	1.17	1.30	1.30	1.30	1.31	1.45	1.45	1.45	1.46	1.61	1.61	1.61	1.62	1.80	1.80	1.79	1.80	2.01	2.01	2.01	2.02
945	Capacity	26372	26732	27492	28654	26145	26504	27265	28426	25480	25839	26600	27761	24336	24696	25456	26618	22938	23298	24058	25220	21663	22022	22782	23944
	S/T	1.00	0.93	0.79	0.63	1.00	0.93	0.79	0.64	1.00	1.00	0.82	0.67	1.00	1.00	0.84	0.69	1.00	1.00	0.86	0.71	1.00	1.00	1.00	0.77
	Evap dT	24	22	19	16	24	22	19	16	24	23	19	16	24	22	19	16	24	22	19	16	25	23	20	17
	Pr Suc	132	133	136	142	139	141	144	150	146	148	151	156	152	153	157	162	157	159	162	168	165	166	169	175
	Pr Dis	230	231	233	237	266	267	268	272	303	304	305	309	343	344	346	350	386	387	389	393	433	434	435	439
	Amps	4.1	4.1	4.1	4.2	4.7	4.7	4.7	4.8	5.4	5.4	5.4	5.4	6.1	6.1	6.1	6.1	6.9	6.9	6.9	6.9	7.8	7.8	7.8	7.9
	kW	1.17	1.17	1.17	1.18	1.31	1.30	1.30	1.31	1.46	1.46	1.45	1.46	1.62	1.62	1.62	1.63	1.80	1.80	1.80	1.81	2.02	2.02	2.02	2.03

85	Capacity	26050	26409	27170	28332	25822	26182	26942	28104	25157	25517	26277	27439	24014	24373	25134	26295	22616	22976	23736	24898	21340	21700	22460	23622
	S/T	1.00	0.94	0.80	0.65	1.00	1.00	0.80	0.65	1.00	1.00	0.83	0.68	1.00	1.00	0.85	0.70	1.00	1.00	1.00	0.72	1.00	1.00	1.00	0.78
	Evap dT	29	28	25	21	29	28	24	21	30	28	25	21	29	28	24	21	29	27	24	21	30	29	25	22
	Pr Suc	130	131	134	140	137	139	142	148	144	146	149	154	150	151	155	160	155	157	160	166	162	164	167	173
	Pr Dis	227	228	230	234	263	264	265	269	300	301	303	307	340	341	343	347	384	385	386	390	430	431	432	436
	Amps	4.1	4.1	4.1	4.1	4.7	4.7	4.7	4.7	5.3	5.3	5.3	5.4	6.1	6.1	6.0	6.1	6.9	6.8	6.8	6.9	7.8	7.8	7.8	7.8
	kW	1.16	1.16	1.16	1.17	1.30	1.29	1.29	1.30	1.45	1.45	1.44	1.45	1.61	1.61	1.61	1.62	1.79	1.79	1.79	1.80	2.01	2.01	2.00	2.01
833	Capacity	26366	26726	27486	28648	26138	26498	27258	28420	25474	25833	26594	27755	24330	24690	25450	26612	22932	23292	24052	25214	21656	22016	22776	23938
	S/T	1.00	1.00	0.85	0.70	1.00	1.00	0.86	0.71	1.00	1.00	0.89	0.74	1.00	1.00	0.91	0.76	1.00	1.00	1.00	0.78	1.00	1.00	1.00	0.83
	Evap dT	28	27	24	20	28	27	24	20	29	27	24	20	28	27	23	20	28	26	23	20	29	28	24	21
	Pr Suc	131	133	136	142	139	141	144	149	146	147	151	156	152	153	156	162	157	159	162	167	164	166	169	174
	Pr Dis	229	230	232	236	265	266	267	271	302	303	305	308	342	343	345	349	385	386	388	392	432	433	434	438
	Amps	4.1	4.1	4.1	4.2	4.7	4.7	4.7	4.7	5.4	5.4	5.4	5.4	6.1	6.1	6.1	6.1	6.9	6.9	6.9	6.9	7.8	7.8	7.8	7.8
	kW	1.17	1.17	1.16	1.17	1.30	1.30	1.30	1.31	1.45	1.45	1.45	1.46	1.62	1.62	1.62	1.62	1.80	1.80	1.80	1.81	2.01	2.01	2.01	2.02
945	Capacity	26801	27161	27921	29083	26573	26933	27693	28855	25909	26268	27029	28190	24765	25125	25885	27047	23367	23727	24487	25649	22091	22451	23211	24373
	S/T	1.00	1.00	0.89	0.74	1.00	1.00	0.90	0.75	1.00	1.00	0.93	0.77	1.00	1.00	1.00	0.79	1.00	1.00	1.00	0.82	1.00	1.00	1.00	0.87
	Evap dT	28	26	23	19	27	26	23	19	28	26	23	19	27	26	23	19	27	26	22	19	28	27	23	20
	Pr Suc	134	135	138	144	141	143	146	151	148	150	153	158	154	155	159	164	159	161	164	170	166	168	171	177
	Pr Dis	231	232	234	238	267	268	269	273	304	305	307	310	344	345	347	351	387	388	390	394	434	435	436	440
	Amps	4.2	4.2	4.1	4.2	4.7	4.7	4.7	4.8	5.4	5.4	5.4	5.4	6.1	6.1	6.1	6.1	6.9	6.9	6.9	6.9	7.8	7.8	7.8	7.9
	kW	1.17	1.17	1.17	1.18	1.31	1.31	1.31	1.32	1.46	1.46	1.46	1.47	1.62	1.62	1.62	1.63	1.81	1.81	1.80	1.81	2.02	2.02	2.02	2.03

IDB: Entering Indoor Dry Bulb Temperature
 High and low pressures are measured at the liquid and suction service valves.
 Shaded area reflects AHRl (TVA) conditions
 kW = Total system power
 Amps = outdoor unit amps (compressor + fan)

EXPANDING COOLING DATA — GLZT7CA4810A*+DMVT60DP1300A*

IDB	AIRFLOW	OUTDOOR AMBIENT TEMPERATURE																																														
		65°F						75°F						85°F						95°F						105°F						115°F																
		59	63	67	71	75	79	59	63	67	71	75	79	59	63	67	71	75	79	59	63	67	71	75	79	59	63	67	71	75	79	59	63	67	71	75	79											
70	Capacity	47415	48083	49496	-	46991	47659	49073	-	45756	46424	47837	-	43631	44299	45712	-	41033	41701	43114	-	38662	39330	40743	-	47930	48598	50011	-	47506	48175	49588	-	44146	44814	46227	-	41548	42216	43630	-							
	S/T	0.62	0.54	0.41	-	0.63	0.55	0.41	-	0.65	0.57	0.44	-	0.67	0.59	0.46	-	1.00	0.62	0.48	-	1.00	0.67	0.53	-	0.67	0.59	0.46	-	1.00	0.64	0.51	-	1.00	0.64	0.51	-	1.00	0.66	0.53	-							
	Evap dT	20	18	14	-	20	18	14	-	20	18	15	-	20	18	14	-	19	17	13	-	19	17	13	-	19	17	14	-	19	17	14	-	19	17	14	-	19	17	13	-							
	Pr Suc	123	125	128	-	130	132	135	-	137	139	142	-	143	144	147	-	144	146	149	-	149	151	154	-	148	149	150	-	148	149	151	-	148	149	151	-	148	149	153	-							
	Pr Dis	247	248	250	-	286	287	289	-	326	328	329	-	370	371	373	-	418	419	420	-	418	419	420	-	370	371	373	-	418	419	420	-	418	419	420	-	418	419	420	-							
Amps	8.9	8.9	8.9	-	10.2	10.2	10.1	-	11.6	11.6	11.5	-	13.1	13.1	13.1	-	14.8	14.8	14.8	-	14.8	14.8	14.8	-	13.1	13.1	13.1	-	14.8	14.8	14.8	-	14.8	14.8	14.8	-	14.8	14.8	14.8	-								
kW	2.49	2.49	2.48	-	2.78	2.78	2.77	-	3.10	3.10	3.10	-	3.45	3.45	3.45	-	3.84	3.84	3.84	-	3.84	3.84	3.84	-	3.45	3.45	3.45	-	3.84	3.84	3.84	-	3.84	3.84	3.84	-	3.84	3.84	3.84	-								
Capacity	48874	49542	50955	-	48451	49119	50532	-	47215	47883	49297	-	45090	45758	47171	-	42492	43160	44574	-	40121	40789	42202	-	48874	49542	50955	-	48451	49119	50532	-	47215	47883	49297	-	45090	45758	47171	-	42492	43160	44574	-				
S/T	0.71	0.63	0.49	-	0.71	0.64	0.50	-	0.74	0.66	0.52	-	1.00	0.68	0.54	-	1.00	0.70	0.57	-	1.00	0.75	0.62	-	0.71	0.63	0.49	-	0.71	0.64	0.50	-	0.74	0.66	0.52	-	1.00	0.68	0.54	-	1.00	0.70	0.57	-				
Evap dT	18	16	12	-	18	16	12	-	18	16	13	-	18	16	12	-	17	16	12	-	17	16	12	-	18	16	12	-	18	16	12	-	17	16	12	-	17	16	12	-	17	16	12	-				
Pr Suc	127	129	132	-	134	136	139	-	141	143	146	-	147	148	151	-	152	153	157	-	159	160	163	-	127	129	132	-	134	136	139	-	141	143	146	-	147	148	151	-	152	153	157	-	159	160	163	-
Pr Dis	251	252	254	-	290	291	293	-	331	332	334	-	375	376	377	-	422	423	425	-	472	473	475	-	251	252	254	-	290	291	293	-	331	332	334	-	375	376	377	-	422	423	425	-	472	473	475	-
Amps	9.0	9.0	9.0	-	10.3	10.3	10.3	-	11.7	11.7	11.7	-	13.2	13.2	13.2	-	14.9	14.9	14.9	-	16.9	16.9	16.9	-	9.0	9.0	9.0	-	10.3	10.3	10.3	-	11.7	11.7	11.7	-	13.2	13.2	13.2	-	14.9	14.9	14.9	-	16.9	16.9	16.9	-
kW	2.52	2.52	2.51	-	2.81	2.81	2.80	-	3.13	3.13	3.12	-	3.48	3.48	3.47	-	3.87	3.87	3.86	-	4.33	4.33	4.32	-	2.52	2.52	2.51	-	2.81	2.81	2.80	-	3.13	3.13	3.12	-	3.48	3.48	3.47	-	3.87	3.87	3.86	-	4.33	4.33	4.32	-

75	Capacity	47442	48111	49524	51682	47019	47687	49100	51259	45783	46452	47865	50024	43658	44326	45740	47898	41061	41729	43142	45301	38689	39357	40771	42929	47957	48626	50039	52198	47534	48202	49615	51774	46299	46967	48380	50539	44173	44841	46255	48413	41576	42244	43657	45816	39204	39873	41286	43445
	S/T	0.75	0.67	0.54	0.39	0.76	0.68	0.54	0.40	1.00	0.70	0.57	0.43	1.00	0.72	0.59	0.44	1.00	0.75	0.61	0.47	1.00	1.00	0.66	0.52	0.80	0.72	0.58	0.44	0.80	0.73	0.59	0.45	1.00	0.77	0.63	0.49	1.00	0.79	0.66	0.51	1.00	1.00	0.71	0.57				
	Evap dT	24	22	19	15	24	22	19	15	24	22	19	15	24	22	18	14	23	21	17	14	24	22	19	16	23	21	18	14	23	21	18	14	23	21	17	14	24	22	19	15	25	23	19	16				
	Pr Suc	123	125	128	133	130	132	135	140	140	137	139	142	147	143	144	147	152	148	149	153	158	155	156	165	125	126	129	134	132	133	137	142	139	140	143	148	144	146	149	154	159	154	159	156	158	161	166	
	Pr Dis	247	248	250	254	286	287	289	293	293	327	328	330	334	371	372	373	378	418	419	421	425	468	469	471	475	247	248	250	252	288	289	290	295	328	329	331	336	372	373	375	379	420	421	422	427	470	471	473
Amps	8.9	8.9	8.9	9.0	10.2	10.2	10.1	10.2	10.2	11.6	11.6	11.5	11.6	13.1	13.1	13.1	13.2	14.8	14.8	14.8	14.9	16.8	16.8	16.8	9.0	9.0	8.9	9.0	10.2	10.2	10.2	10.3	11.6	11.6	11.7	11.7	13.1	13.1	13.1	13.2	14.8	14.8	14.8	14.9	16.8	16.8	16.8	16.9	
kW	2.49	2.49	2.48	2.50	2.78	2.78	2.77	2.79	2.79	3.10	3.10	3.09	3.12	3.45	3.45	3.44	3.47	3.84	3.84	3.84	3.86	4.33	4.33	4.32	2.49	2.49	2.48	2.50	2.78	2.78	2.77	2.79	3.10	3.10	3.09	3.12	3.45	3.45	3.44	3.47	3.84	3.84	3.84	3.86	4.33	4.33	4.31	4.33	
Capacity	48902	49570	50983	53142	48478	49146	50560	52718	47243	47911	49324	51483	45117	45786	47199	49358	42520	43188	44601	46760	40149	40817	42230	44389	48902	49570	50983	53142	48478	49146	50560	52718	47243	47911	49324	51483	45117	45786	47199	49358	42520	43188	44601	46760	40149	40817	42230	44389	
S/T	0.83	0.76	0.62	0.48	1.00	0.76	0.63	0.49	1.00	0.79	0.65	0.51	1.00	0.81	0.67	0.53	1.00	0.83	0.70	0.55	1.00	1.00	0.75	0.60	0.83	0.76	0.62	0.48	1.00	0.76	0.63	0.49	1.00	0.79	0.65	0.51	1.00	0.81	0.67	0.53	1.00	0.83	0.70	0.55	1.00	1.00	0.75	0.60	
Evap dT	22	20	17	13	22	20	16	13	22	20	17	13	22	20	16	13	22	20	16	13	22	21	17	14	22	20	17	13	22	20	16	13	22	20	17	13	22	20	16	13	22	21	17	14	24	22	19	15	
Pr Suc	127	129	132	137	134	136	139	144	141	143	146	151	147	148	151	156	152	153	157	162	159	160	163	169	127	129	132	137	134	136	139	144	141	143	146	151	147	148	151	156	152	153	157	162	159	160	163	169	
Pr Dis	251	252	254	258	290	291	293	297	331	332	334	338	375	376	378	382	422	423	425	429	473	474	475	480	251	252	254	258	290	291	293	297	331	332	334	338	375	376	378	382	422	423	425	429	473	474	475	480	
Amps	9.0	9.0	9.0	9.1	10.3	10.3	10.3	10.4	11.7	11.7	11.7	11.8	13.2	13.2	13.2	13.3	14.9	14.9	14.9	15.0	16.9	16.9	16.9	17.0	9.0	9.0	9.0	9.1	10.3	10.3	10.3	10.4	11.7	11.7	11.7	11.8	13.2	13.2	13.2	13.3	14.9	14.9	14.9	15.0	16.9	16.9	16.9	17.0	
kW	2.52	2.51	2.51	2.53	2.81	2.80	2.80	2.82	3.13	3.13	3.12	3.14	3.48	3.48	3.47	3.49	3.87	3.87	3.86	3.88	4.33	4.33	4.32	4.34	2.52	2.51	2.51	2.53	2.81	2.80	2.80	2.82	3.13	3.13	3.12	3.14	3.48	3.48	3.47	3.49	3.87	3.87	3.86	3.88	4.33	4.33	4.32	4.34	

IDB: Entering Indoor Dry Bulb Temperature
 High and low pressures are measured at the liquid and suction service valves.
 Shaded area reflects ACCA (TVA) conditions
 kW = Total system power
 Amps = outdoor unit amps (compressor + fan)

EXPANDING COOLING DATA — GLZT7CA4810A*+DMVT60DP1300A* (CONT.)

IDB	AIRFLOW	OUTDOOR AMBIENT TEMPERATURE																							
		65°F				75°F				95°F				105°F				115°F							
		59	63	67	71	59	63	67	71	59	63	67	71	59	63	67	71	59	63	67	71				
80	Capacity	47687	48356	49769	51928	47264	47932	49345	51504	46029	46697	48110	50269	43903	44571	45985	48143	41306	41974	43387	45546	38934	39603	41016	43174
	S/T	1.00	0.80	0.66	0.52	1.00	0.80	0.67	0.53	1.00	0.83	0.69	0.55	1.00	0.85	0.71	0.57	1.00	1.00	0.74	0.59	1.00	1.00	0.79	0.64
	Evap dT	28	26	23	19	28	26	23	19	28	26	23	19	28	26	23	19	28	26	22	19	29	27	24	20
	Pr Suc	124	125	128	133	131	133	136	141	138	139	142	147	143	145	148	153	149	150	153	158	155	157	160	165
	Pr Dis	248	249	250	255	286	287	289	294	327	328	330	334	371	372	374	378	418	419	421	425	469	470	472	476
	Amps	8.9	8.9	8.9	9.0	10.2	10.2	10.1	10.2	11.6	11.6	11.6	11.7	13.1	13.1	13.1	13.2	14.8	14.8	14.8	14.9	16.8	16.8	16.8	16.9
	kW	2.49	2.49	2.48	2.51	2.78	2.78	2.77	2.79	3.10	3.10	3.10	3.12	3.45	3.45	3.45	3.47	3.84	3.84	3.84	3.86	4.30	4.30	4.30	4.32
80	Capacity	48203	48871	50284	52443	47779	48447	49860	52019	46544	47212	48625	50784	44418	45086	46500	48658	41821	42489	43902	46061	39449	40118	41531	43690
	S/T	1.00	0.85	0.71	0.57	1.00	0.85	0.72	0.57	1.00	0.88	0.74	0.60	1.00	1.00	0.76	0.62	1.00	1.00	0.78	0.64	1.00	1.00	0.83	0.69
	Evap dT	27	25	22	18	27	25	22	18	27	25	22	18	27	25	22	18	27	25	21	18	28	26	23	19
	Pr Suc	125	127	130	135	133	134	137	142	139	141	144	149	145	146	149	154	150	152	155	160	157	158	161	167
	Pr Dis	249	250	252	256	288	289	291	295	329	330	332	336	373	374	376	380	420	421	423	427	471	472	473	478
	Amps	9.0	9.0	8.9	9.0	10.2	10.2	10.2	10.3	11.6	11.6	11.6	11.7	13.2	13.1	13.1	13.2	14.9	14.8	14.8	14.9	16.8	16.8	16.8	16.9
	kW	2.50	2.50	2.50	2.52	2.79	2.79	2.78	2.81	3.12	3.11	3.11	3.13	3.47	3.46	3.46	3.48	3.86	3.85	3.85	3.87	4.31	4.31	4.31	4.33
80	Capacity	49147	49815	51228	53387	48723	49391	50805	52963	47488	48156	49569	51728	45362	46031	47444	49603	42765	43433	44846	47005	40394	41062	42475	44634
	S/T	1.00	0.88	0.75	0.60	1.00	0.89	0.75	0.61	1.00	0.92	0.78	0.64	1.00	1.00	0.80	0.66	1.00	1.00	0.82	0.68	1.00	1.00	0.87	0.73
	Evap dT	26	24	21	17	26	24	21	17	26	24	21	17	26	24	21	17	26	24	20	17	27	25	21	18
	Pr Suc	128	129	132	137	135	137	140	145	142	143	146	151	147	149	152	157	153	154	157	162	159	161	164	169
	Pr Dis	252	253	255	259	291	292	293	298	331	332	334	338	375	376	378	382	423	424	425	430	473	474	476	480
	Amps	9.0	9.0	9.0	9.1	10.3	10.3	10.3	10.4	11.7	11.7	11.7	11.8	13.2	13.2	13.2	13.3	14.9	14.9	14.9	15.0	16.9	16.9	16.9	17.0
	kW	2.52	2.52	2.51	2.53	2.81	2.81	2.80	2.82	3.13	3.13	3.12	3.15	3.48	3.48	3.47	3.50	3.87	3.87	3.86	3.89	4.33	4.33	4.33	4.34

1400	Capacity	48485	49153	50566	52725	48061	48729	50142	52301	46826	47494	48907	51066	44700	45368	46782	48940	42103	42771	44184	46343	39731	40400	41813	43972
	S/T	1.00	0.90	0.76	0.62	1.00	0.91	0.77	0.63	1.00	1.00	0.80	0.65	1.00	1.00	0.81	0.67	1.00	1.00	0.84	0.69	1.00	1.00	0.80	0.75
	Evap dT	32	30	26	23	32	30	26	23	32	30	27	23	32	30	26	23	31	29	26	22	32	31	27	24
	Pr Suc	125	127	130	135	133	134	138	143	139	141	144	149	145	146	150	155	150	152	155	160	157	159	162	167
	Pr Dis	249	250	251	256	288	289	290	295	328	329	331	335	372	373	375	379	420	421	422	427	470	471	473	477
	Amps	8.9	8.9	8.9	9.0	10.2	10.2	10.2	10.3	11.6	11.6	11.6	11.7	13.1	13.1	13.1	13.2	14.8	14.8	14.8	14.9	16.8	16.8	16.8	16.9
	kW	2.50	2.49	2.49	2.51	2.79	2.78	2.78	2.80	3.11	3.11	3.10	3.12	3.46	3.46	3.45	3.47	3.85	3.85	3.84	3.86	4.31	4.31	4.30	4.32
1559	Capacity	49000	49668	51081	53240	48576	49244	50658	52816	47341	48009	49422	51581	45215	45884	47297	49456	42618	43286	44699	46858	40247	40915	42328	44487
	S/T	1.00	0.95	0.81	0.67	1.00	1.00	0.82	0.67	1.00	1.00	0.84	0.70	1.00	1.00	0.86	0.72	1.00	1.00	0.88	0.74	1.00	1.00	0.80	0.79
	Evap dT	31	29	25	22	31	29	25	22	31	29	26	22	31	29	25	22	30	29	25	22	32	30	26	23
	Pr Suc	127	128	132	137	134	136	139	144	141	142	146	151	146	148	151	156	152	153	156	162	159	160	163	168
	Pr Dis	250	251	253	257	289	290	292	296	330	331	333	337	374	375	377	381	421	422	424	428	472	473	474	479
	Amps	9.0	9.0	9.0	9.1	10.3	10.2	10.2	10.3	11.7	11.6	11.6	11.7	13.2	13.2	13.1	13.2	14.9	14.9	14.8	14.9	16.9	16.9	16.8	16.9
	kW	2.51	2.51	2.50	2.52	2.80	2.80	2.79	2.81	3.12	3.12	3.11	3.14	3.47	3.47	3.46	3.49	3.86	3.86	3.85	3.88	4.32	4.32	4.31	4.34
1800	Capacity	49944	50612	52025	54184	49520	50189	51602	53760	48285	48953	50366	52525	46160	46828	48241	50400	43562	44230	45643	47802	41191	41859	43272	45431
	S/T	1.00	0.99	0.85	0.71	1.00	1.00	0.86	0.71	1.00	1.00	0.88	0.74	1.00	1.00	0.90	0.76	1.00	1.00	0.90	0.78	1.00	1.00	0.80	0.83
	Evap dT	30	28	24	21	30	28	24	21	30	28	24	21	29	28	24	21	29	27	24	20	30	29	25	22
	Pr Suc	129	131	134	139	137	138	141	147	143	145	148	153	149	150	154	159	154	156	159	164	161	163	166	171
	Pr Dis	253	254	256	260	292	293	295	299	333	334	335	340	376	377	379	384	424	425	427	431	474	475	477	481
	Amps	9.1	9.0	9.0	9.1	10.3	10.3	10.3	10.4	11.7	11.7	11.7	11.8	13.2	13.2	13.2	13.3	14.9	14.9	14.9	15.0	16.9	16.9	16.9	17.0
	kW	2.52	2.52	2.52	2.54	2.81	2.81	2.81	2.83	3.14	3.13	3.13	3.15	3.49	3.48	3.48	3.50	3.88	3.87	3.87	3.89	4.34	4.33	4.33	4.35

IDB: Entering Indoor Dry Bulb Temperature
 High and low pressures are measured at the liquid and suction service valves.
 Shaded area reflects AHRl (TVA) conditions
 kW = Total system power
 Amps = outdoor unit amps (compressor + fan)

EXPANDING COOLING DATA — GLZT7CA4810A*+DMVT60DP1300A* (70%)

IDB	AIRFLOW	OUTDOOR AMBIENT TEMPERATURE																							
		65°F				75°F				85°F				95°F				105°F				115°F			
		59	63	67	71	59	63	67	71	59	63	67	71	59	63	67	71	59	63	67	71	59	63	67	71
70	Capacity	34091	34572	35588	-	33787	34267	35283	-	32899	33379	34395	-	31370	31851	32867	-	29503	29983	30999	-	27798	28278	29294	-
	S/T	0.64	0.56	0.42	-	0.64	0.56	0.43	-	0.67	0.59	0.45	-	1.00	0.61	0.47	-	1.00	0.63	0.49	-	1.00	0.69	0.55	-
	Evap dT	19	17	14	-	19	17	14	-	19	18	14	-	19	17	14	-	19	17	14	-	20	18	15	-
	Pr Suc	126	128	131	-	134	136	139	-	141	142	146	-	147	148	151	-	152	154	157	-	159	161	164	-
	Pr Dis	126	237	239	-	273	274	276	-	312	313	315	-	354	355	357	-	399	400	402	-	448	449	450	-
	Amps kW	5.6	5.6	5.6	-	6.4	6.4	6.4	-	7.3	7.3	7.3	-	8.2	8.2	8.2	-	9.3	9.3	9.3	-	10.6	10.6	10.6	-
		1.57	1.57	1.56	-	1.75	1.75	1.74	-	1.95	1.95	1.95	-	2.17	2.17	2.17	-	2.42	2.42	2.41	-	2.71	2.71	2.70	-
70	Capacity	34462	34942	35958	-	34157	34638	35654	-	33269	33749	34765	-	31741	32221	33237	-	29873	30354	31370	-	28168	28649	29665	-
	S/T	0.68	0.61	0.47	-	0.69	0.61	0.47	-	0.72	0.64	0.50	-	1.00	0.66	0.52	-	1.00	0.68	0.54	-	1.00	0.73	0.59	-
	Evap dT	18	16	13	-	18	16	13	-	18	17	13	-	18	16	13	-	18	16	13	-	19	17	14	-
	Pr Suc	128	130	133	-	136	137	140	-	142	144	147	-	148	150	153	-	154	155	158	-	161	162	165	-
	Pr Dis	238	239	240	-	275	276	277	-	314	315	316	-	356	357	358	-	401	402	404	-	449	450	452	-
	Amps kW	5.6	5.6	5.6	-	6.4	6.4	6.4	-	7.3	7.3	7.3	-	8.3	8.3	8.3	-	9.3	9.3	9.3	-	10.6	10.6	10.6	-
		1.57	1.57	1.57	-	1.76	1.75	1.75	-	1.96	1.96	1.96	-	2.18	2.18	2.18	-	2.43	2.42	2.42	-	2.71	2.71	2.71	-
1260	Capacity	35140	35621	36637	-	34836	35316	36332	-	33948	34428	35444	-	32420	32900	33916	-	30552	31032	32049	-	28847	29327	30344	-
	S/T	0.72	0.65	0.51	-	0.73	0.65	0.51	-	1.00	0.68	0.54	-	1.00	0.70	0.56	-	1.00	0.72	0.58	-	1.00	1.00	0.63	-
	Evap dT	17	15	12	-	17	15	12	-	17	16	12	-	17	15	12	-	17	15	12	-	18	16	13	-
	Pr Suc	131	132	135	-	138	140	143	-	145	146	150	-	151	152	155	-	156	158	161	-	163	165	168	-
	Pr Dis	240	241	243	-	277	278	280	-	316	317	319	-	358	359	361	-	403	404	406	-	452	453	454	-
	Amps kW	5.7	5.7	5.7	-	6.5	6.5	6.5	-	7.4	7.4	7.3	-	8.3	8.3	8.3	-	9.4	9.4	9.4	-	10.6	10.6	10.6	-
		1.58	1.58	1.58	-	1.77	1.76	1.76	-	1.97	1.97	1.96	-	2.19	2.19	2.18	-	2.44	2.43	2.43	-	2.72	2.72	2.72	-

980	Capacity	34111	34591	35608	37160	33807	34287	35303	36855	32918	33399	34415	35967	31390	31871	32887	34439	29523	30003	31019	32571	27818	28298	29314	30866
	S/T	0.77	0.69	0.55	0.40	1.00	0.70	0.56	0.41	1.00	0.72	0.58	0.44	1.00	0.74	0.60	0.46	1.00	0.77	0.63	0.48	1.00	1.00	0.68	0.53
	Evap dT	23	21	18	14	23	21	18	14	23	21	18	14	23	21	18	14	23	21	18	14	24	22	19	15
	Pr Suc	126	128	131	137	134	136	139	144	141	142	146	151	147	148	151	157	152	154	157	162	159	161	164	169
	Pr Dis	236	237	239	243	273	274	276	280	312	313	315	319	354	355	357	361	400	401	402	406	448	449	450	455
	Amps kW	5.6	5.6	5.6	5.6	6.4	6.4	6.4	6.4	7.3	7.3	7.3	7.3	8.2	8.2	8.2	8.3	9.3	9.3	9.3	9.3	10.6	10.6	10.6	10.6
		1.57	1.56	1.56	1.57	1.75	1.75	1.74	1.76	1.95	1.95	1.95	1.96	2.17	2.17	2.17	2.18	2.42	2.42	2.41	2.43	2.71	2.70	2.70	2.71
1091	Capacity	34481	34962	35978	37530	34177	34657	35673	37226	33289	33769	34785	36337	31761	32241	33257	34809	29893	30373	31389	32942	28188	28668	29685	31237
	S/T	0.82	0.74	0.60	0.45	1.00	0.75	0.61	0.46	1.00	0.77	0.63	0.48	1.00	0.79	0.65	0.50	1.00	1.00	0.67	0.53	1.00	1.00	0.73	0.58
	Evap dT	22	20	17	14	22	20	17	14	22	21	17	14	22	20	17	14	22	20	17	13	23	21	18	14
	Pr Suc	128	130	133	138	136	137	140	146	142	144	147	153	148	150	153	158	154	155	158	164	161	162	165	171
	Pr Dis	238	239	241	245	275	276	278	282	314	315	317	321	356	357	359	363	401	402	404	408	449	450	452	456
	Amps kW	5.6	5.6	5.6	5.7	6.4	6.4	6.4	6.5	7.3	7.3	7.3	7.4	8.3	8.3	8.2	8.3	9.3	9.3	9.3	9.4	10.6	10.6	10.6	10.6
		1.57	1.57	1.57	1.58	1.76	1.75	1.75	1.76	1.96	1.96	1.95	1.97	2.18	2.18	2.17	2.19	2.42	2.42	2.42	2.43	2.71	2.71	2.71	2.72
1260	Capacity	35160	35641	36657	38209	34856	35336	36352	37904	33968	34448	35464	37016	32439	32920	33936	35488	30572	31052	32068	33620	28867	29347	30363	31915
	S/T	0.86	0.78	0.64	0.49	1.00	0.79	0.65	0.50	1.00	0.81	0.67	0.52	1.00	0.83	0.69	0.54	1.00	1.00	0.71	0.57	1.00	1.00	0.77	0.62
	Evap dT	21	19	16	12	21	19	16	12	21	19	16	13	21	19	16	12	21	19	16	12	22	20	17	13
	Pr Suc	131	132	135	141	138	140	143	148	145	147	150	155	151	152	155	161	156	158	161	166	163	165	168	173
	Pr Dis	240	241	243	247	277	278	280	284	316	317	319	323	358	359	361	365	404	405	406	410	452	453	454	459
	Amps kW	5.7	5.7	5.7	5.7	6.5	6.5	6.5	6.5	7.4	7.3	7.3	7.4	8.3	8.3	8.3	8.4	9.4	9.4	9.4	9.4	10.6	10.6	10.6	10.7
		1.58	1.58	1.58	1.59	1.76	1.76	1.76	1.77	1.97	1.97	1.96	1.98	2.19	2.19	2.18	2.20	2.43	2.43	2.43	2.44	2.72	2.72	2.72	2.73

IDB: Entering Indoor Dry Bulb Temperature
 High and low pressures are measured at the liquid and suction service valves.
 Shaded area reflects ACCA (TVA) conditions
 kW = Total system power
 Amps = outdoor unit amps (compressor + fan)

EXPANDING COOLING DATA — GLZT7CA4810A*+DMVT60DP1300A* (70%) (CONT.)

IDB	AIRFLOW	OUTDOOR AMBIENT TEMPERATURE																							
		65°F				75°F				85°F				95°F				105°F				115°F			
		59	63	67	71	59	63	67	71	59	63	67	71	59	63	67	71	59	63	67	71	59	63	67	71
80	Capacity	34287	34768	35784	37336	33983	34463	35479	37031	33095	33575	34591	36143	31566	32047	33063	34615	29699	30179	31195	32747	27994	28474	29490	31042
	S/T	1.00	0.82	0.68	0.53	1.00	0.83	0.69	0.54	1.00	0.85	0.71	0.57	1.00	1.00	0.73	0.59	1.00	1.00	0.76	0.61	1.00	1.00	0.81	0.66
	Evap dT	27	25	22	18	27	25	22	18	27	25	22	19	27	25	22	18	27	25	22	18	28	26	23	19
	Pr Suc	127	129	132	137	135	136	139	145	141	143	146	152	147	149	152	157	153	154	157	163	160	161	164	170
	Pr Dis	237	238	239	243	274	275	277	281	313	314	315	320	355	356	357	362	400	401	403	407	448	449	451	455
Amps	5.6	5.6	5.6	5.6	6.4	6.4	6.4	6.4	7.3	7.3	7.3	7.3	8.2	8.2	8.2	8.3	9.3	9.3	9.3	9.3	10.6	10.6	10.6	10.6	
kW	1.57	1.56	1.56	1.58	1.75	1.75	1.74	1.76	1.95	1.95	1.95	1.96	2.17	2.17	2.17	2.18	2.42	2.42	2.42	2.43	2.71	2.70	2.70	2.72	
80	Capacity	34658	35138	36154	37706	34353	34834	35850	37402	33465	33945	34961	36514	31937	32417	33433	34985	30069	30550	31566	33118	28364	28845	29861	31413
	S/T	1.00	0.87	0.73	0.58	1.00	0.87	0.74	0.59	1.00	0.90	0.76	0.61	1.00	1.00	0.78	0.63	1.00	1.00	0.80	0.66	1.00	1.00	0.86	0.71
	Evap dT	26	24	21	18	26	24	21	17	26	25	21	18	26	24	21	17	26	24	21	17	27	25	22	18
	Pr Suc	129	130	133	139	136	138	141	146	143	145	148	153	149	150	153	159	154	156	159	164	161	163	166	171
	Pr Dis	238	239	241	245	275	276	278	282	314	315	317	321	356	357	359	363	402	403	404	408	450	451	452	457
Amps	5.6	5.6	5.6	5.7	6.4	6.4	6.4	6.5	7.3	7.3	7.3	7.4	8.3	8.3	8.3	8.3	9.3	9.3	9.3	9.4	10.6	10.6	10.6	10.6	
kW	1.57	1.57	1.57	1.58	1.76	1.75	1.75	1.77	1.96	1.96	1.95	1.97	2.18	2.18	2.17	2.19	2.43	2.42	2.42	2.43	2.71	2.71	2.71	2.72	
1260	Capacity	35336	35817	36833	38385	35032	35512	36529	38081	34144	34624	35640	37192	32616	33096	34112	35664	30748	31228	32245	33797	29043	29523	30540	32092
	S/T	1.00	0.91	0.77	0.62	1.00	0.91	0.77	0.63	1.00	1.00	0.80	0.65	1.00	1.00	0.82	0.67	1.00	1.00	0.84	0.70	1.00	1.00	1.00	0.75
	Evap dT	25	23	20	16	25	23	20	16	25	23	20	17	25	23	20	16	25	23	20	16	26	24	21	17
	Pr Suc	131	133	136	141	139	140	144	149	146	147	150	156	151	153	156	161	157	158	162	167	164	165	169	174
	Pr Dis	241	242	243	247	278	279	281	285	317	318	319	324	359	360	361	366	404	405	407	411	452	453	455	459
Amps	5.7	5.7	5.7	5.7	6.5	6.5	6.5	6.5	7.4	7.4	7.3	7.4	8.3	8.3	8.3	8.4	9.4	9.4	9.4	9.4	10.6	10.6	10.6	10.7	
kW	1.58	1.58	1.58	1.59	1.77	1.76	1.76	1.78	1.97	1.97	1.96	1.98	2.19	2.19	2.18	2.20	2.44	2.43	2.43	2.44	2.72	2.72	2.72	2.73	

80	Capacity	34860	35341	36357	37909	34556	35036	36052	37605	33668	34148	35164	36716	32140	32620	33636	35188	30272	30752	31768	33321	28567	29047	30063	31616
	S/T	1.00	0.92	0.78	0.64	1.00	1.00	0.79	0.64	1.00	1.00	0.82	0.67	1.00	1.00	0.84	0.69	1.00	1.00	0.80	0.71	1.00	1.00	1.00	0.77
	Evap dT	31	29	25	22	30	29	25	22	31	29	26	22	30	29	25	22	30	28	25	22	31	30	26	23
	Pr Suc	129	130	134	139	137	138	141	147	143	145	148	153	149	151	154	159	155	156	159	165	162	163	166	172
	Pr Dis	238	239	240	245	275	276	278	282	314	315	317	321	356	357	359	363	401	402	404	408	449	450	452	456
Amps	5.6	5.6	5.6	5.7	6.4	6.4	6.4	6.5	7.3	7.3	7.3	7.3	8.3	8.2	8.2	8.3	9.3	9.3	9.3	9.4	10.6	10.6	10.6	10.6	
kW	1.57	1.57	1.57	1.58	1.75	1.75	1.75	1.76	1.96	1.95	1.95	1.96	2.18	2.17	2.17	2.18	2.42	2.42	2.42	2.43	2.71	2.71	2.71	2.72	
85	Capacity	35231	35711	36727	38279	34926	35407	36423	37975	34038	34518	35535	37087	32510	32990	34006	35559	30642	31123	32139	33691	28937	29418	30434	31986
	S/T	1.00	0.97	0.83	0.69	1.00	1.00	0.84	0.69	1.00	1.00	0.86	0.72	1.00	1.00	0.88	0.74	1.00	1.00	0.90	0.76	1.00	1.00	1.00	0.81
	Evap dT	30	28	25	21	30	28	24	21	30	28	25	21	30	28	24	21	29	28	24	21	30	29	25	22
	Pr Suc	130	132	135	141	138	140	143	148	145	146	150	155	151	152	155	161	156	158	161	166	163	165	168	173
	Pr Dis	239	240	242	246	277	278	279	283	316	317	318	322	357	358	360	364	403	404	405	409	451	452	454	458
Amps	5.7	5.6	5.6	5.7	6.4	6.4	6.4	6.5	7.3	7.3	7.3	7.4	8.3	8.3	8.3	8.3	9.4	9.4	9.3	9.4	10.6	10.6	10.6	10.7	
kW	1.58	1.58	1.57	1.59	1.76	1.76	1.76	1.77	1.96	1.96	1.96	1.97	2.18	2.18	2.18	2.19	2.43	2.43	2.42	2.44	2.72	2.72	2.71	2.73	
1260	Capacity	35910	36390	37406	38958	35605	36086	37102	38654	34717	35197	36213	37766	33189	33669	34685	36237	31321	31802	32818	34370	29616	30097	31113	32665
	S/T	1.00	1.00	0.87	0.73	1.00	1.00	0.88	0.73	1.00	1.00	0.90	0.76	1.00	1.00	0.92	0.78	1.00	1.00	0.90	0.80	1.00	1.00	1.00	0.85
	Evap dT	29	27	23	20	28	27	23	20	29	27	24	20	28	27	23	20	28	26	23	20	29	28	24	21
	Pr Suc	133	135	138	143	141	142	145	151	147	149	152	158	153	155	158	163	159	160	163	169	166	167	170	176
	Pr Dis	242	243	244	249	279	280	282	286	318	319	321	325	360	361	363	367	405	406	408	412	453	454	456	460
Amps	5.7	5.7	5.7	5.7	6.5	6.5	6.5	6.5	7.4	7.4	7.4	7.4	8.3	8.3	8.3	8.4	9.4	9.4	9.4	9.4	10.7	10.6	10.6	10.7	
kW	1.59	1.59	1.58	1.60	1.77	1.77	1.77	1.78	1.97	1.97	1.97	1.98	2.19	2.19	2.19	2.20	2.44	2.44	2.43	2.45	2.73	2.73	2.72	2.74	

IDB: Entering Indoor Dry Bulb Temperature
 High and low pressures are measured at the liquid and suction service valves.
 Shaded area reflects AHRl (TVA) conditions
 kW = Total system power
 Amps = outdoor unit amps (compressor + fan)

EXPANDING COOLING DATA — GLZT7CA6010A*+DMVT60DP1300A*

IDB	AIRFLOW	OUTDOOR AMBIENT TEMPERATURE																							
		65°F				75°F				85°F				95°F				105°F				115°F			
		59	63	67	71	59	63	67	71	59	63	67	71	59	63	67	71	59	63	67	71	59	63	67	71
70	Capacity	57184	57988	59690	-	56674	57479	59180	-	55186	55991	57693	-	52626	53431	55133	-	49498	50303	52005	-	46642	47447	49149	-
	S/T	0.62	0.54	0.41	-	0.63	0.55	0.42	-	0.65	0.58	0.44	-	0.67	0.59	0.46	-	1.00	0.62	0.48	-	1.00	0.67	0.53	-
	Evap dT	19	17	14	-	19	17	14	-	19	18	14	-	19	17	14	-	19	17	14	-	20	18	15	-
	Pr Suc	120	121	124	-	127	129	132	-	133	135	138	-	139	140	143	-	144	146	149	-	151	152	155	-
	Pr Dis	256	257	259	-	296	297	299	-	338	339	341	-	384	385	386	-	432	434	435	-	485	486	488	-
Amps	11.4	11.4	11.4	-	13.1	13.1	13.0	-	15.0	14.9	14.9	-	17.0	16.9	16.9	-	19.2	19.2	19.2	-	21.8	21.8	21.8	-	
kW	3.31	3.30	3.30	-	3.69	3.69	3.68	-	4.12	4.11	4.11	-	4.58	4.58	4.57	-	5.10	5.09	5.09	-	5.70	5.70	5.69	-	
70	Capacity	57722	58527	60229	-	57212	58017	59719	-	55724	56529	58231	-	53165	53969	55671	-	50036	50841	52543	-	47181	47985	49687	-
	S/T	0.66	0.58	0.45	-	0.66	0.59	0.45	-	0.69	0.61	0.48	-	0.71	0.63	0.50	-	1.00	0.65	0.52	-	1.00	0.71	0.57	-
	Evap dT	18	17	13	-	18	17	13	-	19	17	13	-	18	17	13	-	18	16	13	-	19	17	14	-
	Pr Suc	121	123	126	-	128	130	133	-	135	136	139	-	140	142	145	-	145	147	150	-	152	153	156	-
	Pr Dis	257	258	260	-	297	299	300	-	340	341	343	-	385	386	388	-	434	435	437	-	486	487	489	-
Amps	11.5	11.5	11.4	-	13.1	13.1	13.1	-	15.0	15.0	15.0	-	17.0	17.0	17.0	-	19.3	19.3	19.2	-	21.9	21.9	21.9	-	
kW	3.32	3.32	3.31	-	3.70	3.70	3.69	-	4.13	4.13	4.12	-	4.59	4.59	4.58	-	5.11	5.11	5.10	-	5.72	5.71	5.71	-	
2250	Capacity	59013	59818	61520	-	58503	59308	61010	-	57016	57820	59522	-	54456	55261	56963	-	51328	52133	53835	-	48472	49277	50979	-
	S/T	0.70	0.62	0.49	-	0.70	0.63	0.50	-	0.73	0.65	0.52	-	0.75	0.67	0.54	-	1.00	0.69	0.56	-	1.00	0.75	0.61	-
	Evap dT	17	15	12	-	17	15	12	-	17	16	12	-	17	15	12	-	17	15	12	-	18	16	13	-
	Pr Suc	124	125	128	-	131	133	136	-	137	139	142	-	143	144	147	-	148	150	153	-	155	156	159	-
	Pr Dis	260	261	263	-	300	301	303	-	343	344	345	-	388	389	391	-	437	438	440	-	489	490	492	-
Amps	11.6	11.6	11.5	-	13.2	13.2	13.2	-	15.1	15.1	15.1	-	17.1	17.1	17.1	-	19.4	19.4	19.3	-	22.0	22.0	22.0	-	
kW	3.34	3.34	3.33	-	3.73	3.72	3.72	-	4.15	4.15	4.14	-	4.62	4.61	4.61	-	5.13	5.13	5.12	-	5.74	5.74	5.73	-	

75	Capacity	57217	58022	59724	62323	56707	57512	59214	61813	55219	56024	57726	60326	52660	53464	55166	57766	49531	50336	52038	54638	46676	47480	49182	51782
	S/T	0.75	0.67	0.54	0.40	0.75	0.68	0.54	0.40	0.75	0.70	0.57	0.43	1.00	0.72	0.59	0.45	1.00	0.74	0.61	0.47	1.00	0.79	0.66	0.52
	Evap dT	23	21	18	14	23	21	18	14	23	22	18	15	23	21	18	14	23	21	18	14	24	22	19	15
	Pr Suc	120	121	124	129	127	129	132	137	133	135	138	143	139	140	143	148	144	146	149	154	151	152	155	160
	Pr Dis	256	257	259	263	296	297	299	304	338	339	341	346	384	385	387	391	433	434	436	440	485	486	488	492
Amps	11.4	11.4	11.4	11.5	13.1	13.1	13.0	13.2	14.9	14.9	14.9	15.0	17.0	16.9	16.9	17.0	19.2	19.2	19.2	19.3	21.8	21.8	21.8	21.9	
kW	3.30	3.30	3.29	3.32	3.69	3.68	3.68	3.71	4.12	4.11	4.11	4.13	4.58	4.57	4.57	4.60	5.09	5.09	5.09	5.11	5.70	5.70	5.69	5.72	
75	Capacity	57755	58560	60262	62862	57245	58050	59752	62352	55757	56562	58264	60864	53198	54003	55705	58304	50070	50874	52576	55176	47214	48019	49721	52320
	S/T	0.79	0.71	0.58	0.44	0.79	0.72	0.58	0.44	1.00	0.74	0.61	0.47	1.00	0.76	0.63	0.49	1.00	0.78	0.65	0.51	1.00	0.83	0.70	0.56
	Evap dT	22	21	17	14	22	21	17	14	23	21	17	14	22	21	17	14	22	20	17	13	23	21	18	15
	Pr Suc	121	123	126	131	128	130	133	138	135	136	139	144	140	142	145	150	145	147	150	155	152	153	157	162
	Pr Dis	257	259	260	265	298	299	301	305	340	341	343	347	385	386	388	393	434	435	437	442	486	488	489	494
Amps	11.5	11.5	11.4	11.6	13.1	13.1	13.1	13.2	15.0	15.0	15.0	15.1	17.0	17.0	17.0	17.1	19.3	19.2	19.2	19.3	21.9	21.9	21.9	22.0	
kW	3.32	3.31	3.31	3.34	3.70	3.70	3.69	3.72	4.13	4.13	4.12	4.15	4.59	4.59	4.58	4.61	5.11	5.11	5.10	5.13	5.71	5.71	5.71	5.73	
2250	Capacity	59047	59851	61553	64153	58537	59341	61043	63643	57049	57854	59556	62155	54489	55294	56996	59596	51361	52166	53868	56467	48505	49310	51012	53612
	S/T	0.83	0.75	0.62	0.48	0.83	0.76	0.62	0.48	1.00	0.78	0.65	0.51	1.00	0.80	0.67	0.53	1.00	0.82	0.69	0.55	1.00	1.00	0.74	0.60
	Evap dT	21	19	16	12	21	19	16	12	21	20	16	13	21	19	16	12	21	19	16	12	22	20	17	13
	Pr Suc	124	125	128	133	131	133	136	141	137	139	142	147	143	144	147	152	148	150	153	158	155	156	159	164
	Pr Dis	260	261	263	268	301	302	304	308	343	344	346	350	388	389	391	396	437	438	440	444	489	490	492	497
Amps	11.6	11.6	11.5	11.7	13.2	13.2	13.2	13.3	15.1	15.1	15.1	15.2	17.1	17.1	17.1	17.2	19.4	19.3	19.3	19.4	22.0	22.0	22.0	22.1	
kW	3.34	3.34	3.33	3.36	3.72	3.72	3.71	3.74	4.15	4.15	4.14	4.17	4.61	4.61	4.60	4.63	5.13	5.13	5.12	5.15	5.74	5.73	5.73	5.76	

IDB: Entering Indoor Dry Bulb Temperature
 High and low pressures are measured at the liquid and suction service valves.
 Shaded area reflects ACCA (TVA) conditions
 kW = Total system power
 Amps = outdoor unit amps (compressor + fan)

EXPANDING COOLING DATA — GLZT7CA6010A*+DMVT60DP1300A* (CONT.)

IDB	AIRFLOW	OUTDOOR AMBIENT TEMPERATURE																							
		65°F				75°F				85°F				95°F				105°F				115°F			
		59	63	67	71	59	63	67	71	59	63	67	71	59	63	67	71	59	63	67	71	59	63	67	71
80	Capacity	57512	58317	60019	62619	57002	57807	59509	62109	55514	56319	58021	60621	52955	53760	55461	58061	49827	50631	52333	54933	46971	47776	49477	52077
	S/T	0.87	0.80	0.66	0.52	1.00	0.80	0.67	0.53	1.00	0.83	0.69	0.55	1.00	0.85	0.71	0.57	1.00	1.00	0.73	0.59	1.00	1.00	0.78	0.64
	Evap dT	27	25	22	18	27	25	22	18	27	26	22	19	27	25	22	18	27	25	22	18	28	26	23	19
	Pr Suc	120	122	125	130	128	129	132	137	134	135	139	144	139	141	144	149	145	146	149	154	151	153	156	161
	Pr Dis	256	258	259	264	297	298	300	304	339	340	342	346	384	385	387	392	433	434	436	441	485	487	488	493
	Amps	11.4	11.4	11.4	11.5	13.1	13.1	13.0	13.2	14.9	14.9	14.9	15.0	17.0	16.9	16.9	17.0	19.2	19.2	19.2	19.3	21.8	21.8	21.8	21.9
kW	3.31	3.30	3.30	3.33	3.69	3.69	3.68	3.71	4.12	4.11	4.11	4.14	4.58	4.58	4.57	4.60	5.10	5.09	5.09	5.12	5.70	5.70	5.70	5.72	
1750	Capacity	58050	58855	60557	63157	57540	58345	60047	62647	56053	56857	58559	61159	53493	54298	56000	58599	50365	51170	52871	55471	47509	48314	50016	52615
	S/T	0.91	0.83	0.70	0.56	1.00	0.84	0.71	0.57	1.00	0.86	0.73	0.59	1.00	0.88	0.75	0.61	1.00	1.00	0.77	0.63	1.00	1.00	0.82	0.68
	Evap dT	26	25	21	18	27	25	22	18	27	25	22	18	27	25	22	18	27	25	21	18	28	26	23	19
	Pr Suc	122	123	126	131	129	130	133	139	135	137	140	145	141	142	145	150	146	147	150	156	153	154	157	162
	Pr Dis	258	259	261	265	298	299	301	306	340	341	343	348	386	387	389	393	435	436	438	442	487	488	490	494
	Amps	11.5	11.5	11.4	11.6	13.1	13.1	13.1	13.2	15.0	15.0	15.0	15.1	17.0	17.0	17.0	17.1	19.3	19.3	19.2	19.4	21.9	21.9	21.9	22.0
kW	3.32	3.32	3.31	3.34	3.70	3.70	3.69	3.72	4.13	4.13	4.12	4.15	4.59	4.59	4.58	4.61	5.11	5.11	5.10	5.13	5.72	5.71	5.71	5.74	
2250	Capacity	59342	60146	61848	64448	58832	59636	61338	63938	57344	58149	59851	62450	54784	55589	57291	59891	51656	52461	54163	56763	48800	49605	51307	53907
	S/T	1.00	0.87	0.74	0.60	1.00	0.88	0.75	0.61	1.00	0.91	0.77	0.63	1.00	0.92	0.79	0.65	1.00	1.00	0.81	0.67	1.00	1.00	0.86	0.72
	Evap dT	25	23	20	16	25	23	20	16	25	24	20	17	25	23	20	16	25	23	20	16	26	24	21	18
	Pr Suc	124	126	129	134	132	133	136	141	138	139	143	148	143	145	148	153	149	150	153	158	155	157	160	165
	Pr Dis	261	262	264	268	301	302	304	308	343	344	346	351	389	390	392	396	438	439	441	445	490	491	493	497
	Amps	11.6	11.6	11.5	11.7	13.2	13.2	13.2	13.3	15.1	15.1	15.1	15.2	17.1	17.1	17.1	17.2	19.4	19.4	19.3	19.5	22.0	22.0	22.0	22.1
kW	3.34	3.34	3.33	3.36	3.73	3.72	3.72	3.75	4.15	4.15	4.14	4.17	4.62	4.61	4.61	4.64	5.13	5.13	5.12	5.15	5.74	5.74	5.74	5.76	

1750	Capacity	58472	59277	60979	63579	57962	58767	60469	63069	56474	57279	58981	61581	53915	54719	56421	59021	50787	51591	53293	55893	47931	48736	50437	53037
	S/T	1.00	0.90	0.76	0.62	1.00	0.90	0.77	0.63	1.00	0.79	0.69	0.65	1.00	1.00	0.81	0.67	1.00	1.00	0.83	0.69	1.00	1.00	0.88	0.74
	Evap dT	31	29	26	22	31	29	25	22	31	29	26	22	31	29	25	22	30	29	25	22	32	30	26	23
	Pr Suc	122	124	127	132	129	131	134	139	136	137	140	145	141	143	146	151	146	148	151	156	153	155	158	163
	Pr Dis	258	259	261	265	298	299	301	305	340	341	343	347	385	387	388	393	434	435	437	442	487	488	490	494
	Amps	11.5	11.4	11.4	11.5	13.1	13.1	13.1	13.2	15.0	15.0	14.9	15.1	17.0	17.0	17.0	17.1	19.2	19.2	19.2	19.3	21.9	21.9	21.8	22.0
kW	3.31	3.31	3.30	3.33	3.70	3.69	3.69	3.72	4.12	4.12	4.11	4.14	4.59	4.58	4.58	4.61	5.10	5.10	5.09	5.12	5.71	5.71	5.70	5.73	
1918	Capacity	59010	59815	61517	64117	58500	59305	61007	63607	57013	57817	59519	62119	54453	55258	56960	59559	51325	52130	53831	56431	48469	49274	50976	53575
	S/T	1.00	0.93	0.80	0.66	1.00	0.94	0.81	0.67	1.00	0.83	0.73	0.69	1.00	1.00	0.85	0.71	1.00	1.00	0.87	0.73	1.00	1.00	0.90	0.78
	Evap dT	30	28	25	21	30	28	25	21	30	28	25	21	30	28	25	21	30	28	24	21	31	29	26	22
	Pr Suc	123	125	128	133	131	132	135	140	137	139	142	147	142	144	147	152	148	149	152	157	154	156	159	164
	Pr Dis	259	260	262	266	299	300	302	307	342	343	344	349	387	388	390	394	436	437	439	443	488	489	491	495
	Amps	11.5	11.5	11.5	11.6	13.2	13.2	13.1	13.3	15.0	15.0	15.0	15.1	17.1	17.0	17.0	17.1	19.3	19.3	19.3	19.4	21.9	21.9	21.9	22.0
kW	3.32	3.32	3.32	3.35	3.71	3.71	3.70	3.73	4.14	4.13	4.13	4.16	4.60	4.60	4.59	4.62	5.12	5.11	5.11	5.14	5.72	5.72	5.71	5.74	
2250	Capacity	60302	61106	62808	65408	59792	60596	62298	64898	58304	59109	60811	63410	55744	56549	58251	60851	52616	53421	55123	57723	49760	50565	52267	54867
	S/T	1.00	0.97	0.84	0.70	1.00	0.98	0.85	0.71	1.00	0.87	0.77	0.73	1.00	1.00	0.89	0.75	1.00	1.00	0.91	0.77	1.00	1.00	0.90	0.82
	Evap dT	29	27	24	20	29	27	23	20	29	27	24	20	29	27	23	20	28	27	23	20	30	28	24	21
	Pr Suc	126	128	131	136	133	135	138	143	140	141	144	149	145	147	150	155	150	152	155	160	157	159	162	167
	Pr Dis	262	263	265	269	302	303	305	310	344	346	347	352	390	391	393	397	439	440	442	446	491	492	494	498
	Amps	11.6	11.6	11.6	11.7	13.3	13.3	13.2	13.4	15.1	15.1	15.1	15.2	17.1	17.1	17.1	17.2	19.4	19.4	19.4	19.5	22.0	22.0	22.0	22.1
kW	3.35	3.35	3.34	3.37	3.73	3.73	3.73	3.75	4.16	4.16	4.15	4.18	4.62	4.62	4.61	4.64	5.14	5.14	5.13	5.16	5.75	5.74	5.74	5.77	

IDB: Entering Indoor Dry Bulb Temperature
 High and low pressures are measured at the liquid and suction service valves.
 Shaded area reflects AHRI (TVA) conditions
 kW = Total system power
 Amps = outdoor unit amps (compressor + fan)

EXPANDING COOLING DATA — GLZT7CA4810A*+DMVT60DP1300A* (70%)

IDB	AIRFLOW	OUTDOOR AMBIENT TEMPERATURE																							
		65°F				75°F				85°F				95°F				105°F				115°F			
		59	63	67	71	59	63	67	71	59	63	67	71	59	63	67	71	59	63	67	71	59	63	67	71
70	Capacity	41115	41694	42917	-	40748	41327	42551	-	39679	40257	41481	-	37838	38417	39641	-	35589	36168	37392	-	33536	34115	35338	-
	S/T	0.64	0.56	0.42	-	0.64	0.57	0.43	-	0.67	0.59	0.45	-	0.69	0.61	0.47	-	1.00	0.63	0.50	-	1.00	0.68	0.55	-
	Evap dT	19	17	14	-	18	17	13	-	19	17	14	-	18	17	13	-	18	16	13	-	19	18	14	-
	Pr Suc	123	125	128	-	131	132	135	-	137	139	142	-	143	144	147	-	148	150	153	-	155	156	160	-
	Pr Dis	123	246	247	-	283	284	286	-	323	324	326	-	367	368	369	-	413	415	416	-	463	464	466	-
	Amps	7.2	7.2	7.2	-	8.2	8.2	8.2	-	9.4	9.4	9.4	-	10.7	10.7	10.6	-	12.1	12.1	12.1	-	13.7	13.7	13.7	-
	kW	2.08	2.08	2.07	-	2.32	2.32	2.31	-	2.59	2.59	2.58	-	2.88	2.88	2.87	-	3.21	3.20	3.20	-	3.59	3.59	3.58	-
70	Capacity	41502	42081	43304	-	41135	41714	42938	-	40066	40644	41868	-	38225	38804	40028	-	35976	36555	37779	-	33923	34501	35725	-
	S/T	0.68	0.60	0.46	-	0.68	0.60	0.47	-	0.71	0.63	0.49	-	1.00	0.65	0.51	-	1.00	0.67	0.53	-	1.00	0.72	0.59	-
	Evap dT	18	16	13	-	18	16	13	-	18	16	13	-	18	16	13	-	17	16	12	-	19	17	14	-
	Pr Suc	124	126	129	-	132	133	137	-	138	140	143	-	144	146	149	-	149	151	154	-	156	158	161	-
	Pr Dis	246	247	249	-	284	285	287	-	325	326	327	-	368	369	371	-	415	416	418	-	465	466	468	-
	Amps	7.2	7.2	7.2	-	8.3	8.3	8.2	-	9.4	9.4	9.4	-	10.7	10.7	10.7	-	12.1	12.1	12.1	-	13.8	13.8	13.8	-
	kW	2.09	2.09	2.08	-	2.33	2.33	2.32	-	2.60	2.60	2.59	-	2.89	2.89	2.88	-	3.21	3.21	3.21	-	3.60	3.59	3.59	-
70	Capacity	42431	43009	44233	-	42064	42643	43866	-	40994	41573	42797	-	39154	39732	40956	-	36905	37483	38707	-	34851	35430	36654	-
	S/T	0.72	0.64	0.50	-	0.72	0.65	0.51	-	0.75	0.67	0.53	-	1.00	0.69	0.55	-	1.00	0.71	0.58	-	1.00	0.77	0.63	-
	Evap dT	17	15	12	-	17	15	12	-	17	15	12	-	17	15	12	-	16	15	11	-	17	16	12	-
	Pr Suc	127	129	132	-	135	136	139	-	141	143	146	-	147	148	151	-	152	154	157	-	159	161	164	-
	Pr Dis	249	250	251	-	287	288	290	-	327	329	330	-	371	372	374	-	418	419	420	-	468	469	470	-
	Amps	7.3	7.3	7.3	-	8.3	8.3	8.3	-	9.5	9.5	9.5	-	10.8	10.8	10.7	-	12.2	12.2	12.2	-	13.8	13.8	13.8	-
	kW	2.10	2.10	2.10	-	2.34	2.34	2.34	-	2.61	2.61	2.61	-	2.90	2.90	2.90	-	3.23	3.23	3.22	-	3.61	3.61	3.60	-

75	Capacity	41139	41718	42941	44811	40772	41351	42575	44444	39703	40281	41505	43374	37862	38441	39665	41534	35613	36192	37415	39285	33560	34138	35362	37231
	S/T	0.77	0.69	0.55	0.41	0.77	0.70	0.56	0.41	1.00	0.72	0.58	0.44	1.00	0.74	0.60	0.46	1.00	0.76	0.63	0.48	1.00	1.00	0.68	0.53
	Evap dT	22	21	17	14	22	21	17	14	23	21	18	14	22	21	17	14	22	20	17	14	23	21	18	15
	Pr Suc	123	125	128	133	131	132	135	141	137	139	142	147	143	144	147	153	148	150	153	158	155	156	160	165
	Pr Dis	245	246	247	252	283	284	286	290	323	325	326	330	367	368	370	374	414	415	416	421	464	465	466	471
	Amps	7.2	7.2	7.2	7.2	8.2	8.2	8.2	8.3	9.4	9.4	9.4	9.5	10.7	10.7	10.6	10.7	12.1	12.1	12.1	12.1	13.7	13.7	13.7	13.8
	kW	2.08	2.08	2.07	2.09	2.32	2.32	2.31	2.33	2.59	2.59	2.58	2.60	2.88	2.88	2.87	2.89	3.20	3.20	3.20	3.22	3.59	3.58	3.58	3.60
75	Capacity	41526	42105	43328	45197	41159	41738	42962	44831	40090	40668	41892	43761	38249	38828	40052	41921	36000	36579	37802	39672	33947	34525	35749	37618
	S/T	0.81	0.73	0.59	0.45	0.81	0.74	0.60	0.45	1.00	0.76	0.62	0.48	1.00	0.78	0.64	0.50	1.00	0.80	0.67	0.52	1.00	1.00	0.72	0.57
	Evap dT	22	20	17	13	22	20	17	13	22	20	17	13	22	20	17	13	21	20	16	13	22	21	17	14
	Pr Suc	125	126	129	134	132	133	137	142	139	140	143	148	144	146	149	154	149	151	154	159	156	158	161	166
	Pr Dis	246	247	249	253	285	286	287	292	325	326	328	332	368	369	371	375	415	416	418	422	465	466	468	472
	Amps	7.2	7.2	7.2	7.3	8.3	8.3	8.2	8.3	9.4	9.4	9.4	9.5	10.7	10.7	10.8	10.8	12.1	12.1	12.1	12.2	13.8	13.8	13.7	13.8
	kW	2.09	2.09	2.08	2.10	2.33	2.33	2.32	2.34	2.60	2.59	2.59	2.61	2.89	2.89	2.88	2.90	3.21	3.21	3.21	3.23	3.59	3.59	3.59	3.61
75	Capacity	42454	43033	44257	46126	42088	42666	43890	45759	41018	41597	42820	44690	39178	39756	40980	42849	36929	37507	38731	40600	34875	35454	36678	38547
	S/T	0.85	0.77	0.63	0.49	1.00	0.78	0.64	0.49	1.00	0.80	0.66	0.52	1.00	0.82	0.68	0.54	1.00	0.84	0.71	0.56	1.00	1.00	0.76	0.61
	Evap dT	20	19	15	12	20	19	15	12	21	19	16	12	20	19	15	12	20	18	15	12	21	19	16	13
	Pr Suc	127	129	132	137	135	136	139	145	141	143	146	151	147	148	152	157	152	154	157	162	159	161	164	169
	Pr Dis	249	250	252	256	287	288	290	294	328	329	330	335	371	372	374	378	418	419	421	425	468	469	471	475
	Amps	7.3	7.3	7.3	7.3	8.3	8.3	8.3	8.4	9.5	9.5	9.5	9.5	10.8	10.8	10.7	10.8	12.2	12.2	12.2	12.2	13.8	13.8	13.8	13.9
	kW	2.10	2.10	2.10	2.11	2.34	2.34	2.34	2.35	2.61	2.61	2.60	2.62	2.90	2.90	2.90	2.91	3.23	3.23	3.23	3.24	3.61	3.61	3.60	3.62

IDB: Entering Indoor Dry Bulb Temperature
 High and low pressures are measured at the liquid and suction service valves.
 Shaded area reflects ACCA (TVA) conditions
 kW = Total system power
 Amps = outdoor unit amps (compressor + fan)

EXPANDING COOLING DATA — GLZT7CA4810A*+DMVT60DP1300A* (70%) (CONT.)

IDB		OUTDOOR AMBIENT TEMPERATURE																								
		65°F				75°F				85°F				95°F				105°F				115°F				
		59	63	67	71	59	63	67	71	59	63	67	71	59	63	67	71	59	63	67	71	59	63	67	71	
		ENTERING INDOOR WET BULB TEMPERATURE																								
		Capacity	41351	41930	43154	45023	40985	41563	42787	44656	39915	40493	41717	43586	38075	38653	39877	41746	35825	36404	37628	39497	33772	34351	35574	37444
		S/T	1.00	0.82	0.68	0.53	1.00	0.82	0.69	0.54	1.00	0.85	0.71	0.57	1.00	0.87	0.73	0.59	1.00	1.00	0.75	0.61	1.00	1.00	0.81	0.66
		Evap dT	26	24	21	18	26	24	21	18	26	25	21	18	26	24	21	18	26	24	21	18	27	25	22	19
		Pr Suc	124	125	128	134	131	133	136	141	138	139	142	148	143	145	148	153	149	150	153	159	156	157	160	165
		Pr Dis	245	246	248	252	284	285	286	291	324	325	327	331	367	368	370	374	414	415	417	421	464	465	467	471
		Amps	7.2	7.2	7.2	7.2	8.2	8.2	8.2	8.3	9.4	9.4	9.4	9.5	10.7	10.7	10.7	10.8	12.1	12.1	12.1	12.2	13.7	13.7	13.7	13.8
		kW	2.08	2.08	2.07	2.09	2.32	2.32	2.31	2.33	2.59	2.59	2.58	2.60	2.88	2.88	2.87	2.89	3.21	3.20	3.20	3.22	3.59	3.59	3.59	3.60
		Capacity	41738	42317	43540	45410	41372	41950	43174	45043	40302	40880	42104	43973	38461	39040	40264	42133	36212	36791	38015	39884	34159	34738	35961	37831
		S/T	1.00	0.86	0.72	0.57	1.00	0.86	0.73	0.58	1.00	0.89	0.75	0.61	1.00	1.00	0.77	0.63	1.00	1.00	0.79	0.65	1.00	1.00	0.85	0.70
		Evap dT	25	24	20	17	25	24	20	17	26	24	21	17	25	24	20	17	25	23	20	17	26	25	21	18
		Pr Suc	128	129	133	138	135	134	137	142	139	141	144	149	145	146	149	154	150	152	155	160	157	158	161	167
		Pr Dis	247	248	249	254	285	286	288	292	325	326	328	332	369	370	372	376	416	417	418	423	465	467	468	473
		Amps	7.2	7.2	7.2	7.3	8.3	8.3	8.2	8.3	9.4	9.4	9.4	9.5	10.7	10.7	10.7	10.8	12.1	12.1	12.1	12.2	13.8	13.8	13.8	13.8
		kW	2.09	2.09	2.08	2.10	2.33	2.33	2.32	2.34	2.60	2.60	2.59	2.61	2.89	2.89	2.88	2.90	3.21	3.21	3.21	3.23	3.60	3.60	3.59	3.61
		Capacity	42667	43245	44469	46338	42300	42879	44102	45972	41230	41809	43033	44902	39390	39969	41192	43061	37141	37719	38943	40812	35088	35666	36890	38759
		S/T	1.00	0.90	0.76	0.62	1.00	0.90	0.77	0.62	1.00	0.93	0.79	0.65	1.00	1.00	0.81	0.67	1.00	1.00	0.83	0.69	1.00	1.00	0.89	0.74
		Evap dT	24	23	19	16	24	22	19	16	24	23	19	16	24	22	19	16	24	22	19	16	25	23	20	17
		Pr Suc	128	129	133	138	135	137	140	145	142	143	147	152	147	149	152	157	153	154	157	163	160	161	164	169
		Pr Dis	249	250	252	256	288	289	291	295	328	329	331	335	372	373	374	379	418	419	421	425	468	469	471	475
		Amps	7.3	7.3	7.3	7.3	8.3	8.3	8.3	8.4	9.5	9.5	9.5	9.6	10.8	10.8	10.7	10.8	12.2	12.2	12.2	12.2	13.8	13.8	13.8	13.9
		kW	2.10	2.10	2.10	2.11	2.34	2.34	2.34	2.36	2.61	2.61	2.61	2.62	2.90	2.90	2.90	2.92	3.23	3.23	3.23	3.24	3.61	3.61	3.61	3.62

		Capacity	42041	42620	43844	45713	41675	42253	43477	45346	40605	41184	42407	44277	38765	39343	40567	42436	36516	37094	38318	40187	34462	35041	36265	38134
		S/T	1.00	0.92	0.78	0.64	1.00	0.93	0.79	0.64	1.00	1.00	0.81	0.67	1.00	1.00	0.83	0.69	1.00	1.00	0.86	0.71	1.00	1.00	1.00	0.76
		Evap dT	30	28	25	21	30	28	25	21	30	28	25	21	30	28	25	21	29	28	24	21	30	29	25	22
		Pr Suc	126	127	130	135	133	135	138	143	140	141	144	149	145	147	150	155	151	152	155	160	157	159	162	167
		Pr Dis	246	247	249	253	285	286	288	292	325	326	328	332	368	370	371	375	415	416	418	422	465	466	468	472
		Amps	7.2	7.2	7.2	7.3	8.3	8.2	8.2	8.3	9.4	9.4	9.4	9.5	10.7	10.7	10.7	10.7	12.1	12.1	12.1	12.2	13.8	13.8	13.7	13.8
		kW	2.08	2.08	2.08	2.10	2.33	2.32	2.32	2.34	2.59	2.59	2.59	2.61	2.89	2.88	2.88	2.90	3.21	3.21	3.20	3.22	3.59	3.59	3.59	3.60
		Capacity	42428	43007	44231	46100	42062	42640	43864	45733	40992	41571	42794	44664	39152	39730	40954	42823	36903	37481	38705	40574	34849	35428	36652	38521
		S/T	1.00	0.96	0.82	0.68	1.00	1.00	0.83	0.68	1.00	1.00	0.85	0.71	1.00	1.00	0.87	0.73	1.00	1.00	0.90	0.75	1.00	1.00	1.00	0.80
		Evap dT	29	27	24	21	29	27	24	21	29	27	24	21	29	27	24	20	29	27	24	20	30	28	25	21
		Pr Suc	127	128	132	137	134	136	139	144	141	142	146	151	146	148	151	156	152	153	156	162	159	160	163	168
		Pr Dis	248	249	250	255	286	287	289	293	326	328	329	334	370	371	373	377	417	418	419	424	467	468	469	474
		Amps	7.2	7.2	7.2	7.3	8.3	8.3	8.3	8.3	9.5	9.5	9.4	9.5	10.7	10.7	10.7	10.8	12.1	12.1	12.1	12.2	13.8	13.8	13.8	13.9
		kW	2.09	2.09	2.09	2.11	2.33	2.33	2.33	2.35	2.60	2.60	2.60	2.62	2.89	2.89	2.89	2.91	3.22	3.22	3.21	3.23	3.60	3.60	3.59	3.61
		Capacity	43357	43936	45159	47028	42990	43569	44793	46662	41921	42499	43723	45592	40080	40659	41882	43752	37831	38410	39633	41503	35778	36356	37580	39449
		S/T	1.00	1.00	0.86	0.72	1.00	1.00	0.87	0.72	1.00	1.00	0.89	0.75	1.00	1.00	0.91	0.77	1.00	1.00	1.00	0.79	1.00	1.00	1.00	0.84
		Evap dT	28	26	23	19	28	26	23	19	28	26	23	19	28	26	23	19	27	26	22	19	28	27	23	20
		Pr Suc	130	131	134	140	137	139	142	147	144	145	148	154	149	151	154	159	155	156	159	165	161	163	166	171
		Pr Dis	251	252	253	258	289	290	292	296	329	330	332	336	373	374	375	380	419	421	422	427	469	470	472	476
		Amps	7.3	7.3	7.3	7.4	8.4	8.3	8.3	8.4	9.5	9.5	9.5	9.6	10.8	10.8	10.8	10.8	12.2	12.2	12.2	12.3	13.9	13.9	13.8	13.9
		kW	2.11	2.11	2.10	2.12	2.35	2.35	2.34	2.36	2.62	2.62	2.61	2.63	2.91	2.91	2.90	2.92	3.23	3.23	3.23	3.25	3.61	3.61	3.61	3.63

IDB: Entering Indoor Dry Bulb Temperature
 High and low pressures are measured at the liquid and suction service valves.
 Shaded area reflects AHRI (TVA) conditions
 kW = Total system power
 Amps = outdoor unit amps (compressor + fan)

HEATING DATA - HIGH STAGE

GLZT7CA2410A*+DMVT30BP1300A*

100 % CAPACITY

	OUTDOOR AMBIENT TEMPERATURE																
	65	60	55	50	47	45	40	35	30	25	20	17	15	10	5	0	-5
MBh	25.46	25.08	24.70	24.32	24.00	23.71	23.34	22.26	23.24	23.09	23.17	23.20	23.15	22.60	21.23	19.57	19.86
T/R	29.25	29.09	28.93	28.77	28.68	28.61	28.45	28.25	27.77	27.58	27.68	27.72	27.65	27.01	25.37	23.38	23.72
KW	1.23	1.37	1.50	1.63	1.71	1.76	1.90	2.03	2.16	2.30	2.43	2.51	2.56	2.70	2.83	2.96	3.09
AMPS	4.1	4.7	5.3	5.9	6.2	6.4	7.0	7.6	8.2	8.8	9.3	9.7	9.9	10.5	11.1	11.6	12.2
COP	6.05	5.38	4.83	4.37	4.11	3.94	3.60	3.21	3.15	2.95	2.79	2.71	2.65	2.46	2.20	1.94	1.88
Hi PR	404	391	378	365	357	352	339	325	312	299	286	278	273	260	247	233	220
LO PR	149	140	131	122	116	112	103	94	84	75	66	60	56	47	38	29	19

GLZT7CA3610A*+DMVT42CP1300A*

100 % CAPACITY

	OUTDOOR AMBIENT TEMPERATURE																
	65	60	55	50	47	45	40	35	30	25	20	17	15	10	5	0	-5
MBh	36.7	36.2	35.7	35.2	34.8	34.4	33.9	32.4	33.9	33.8	33.9	34.0	33.9	33.2	31.2	28.8	29.2
T/R	27.5	27.3	27.2	27.1	27.1	27.0	26.9	26.8	26.4	26.3	26.4	26.5	26.4	25.8	24.3	22.4	22.7
KW	1.8	2.0	2.2	2.4	2.6	2.6	2.8	3.0	3.2	3.4	3.7	3.8	3.9	4.1	4.3	4.5	4.7
AMPS	6.0	6.9	7.8	8.7	9.2	9.6	10.5	11.3	12.2	13.1	14.0	14.5	14.9	15.8	16.6	17.5	18.4
COP	5.89	5.23	4.69	4.24	3.99	3.82	3.50	3.12	3.06	2.87	2.72	2.64	2.58	2.39	2.14	1.89	1.83
Hi PR	408	394	381	368	360	355	341	328	315	302	288	280	275	262	249	235	222
LO PR	144	135	126	117	112	108	99	90	81	72	64	58	55	46	37	28	19

GLZT7CA4810A*+DMVT60DP1300A*

100 % CAPACITY

	OUTDOOR AMBIENT TEMPERATURE																
	65	60	55	50	47	45	40	35	30	25	20	17	15	10	5	0	-5
MBh	47.1	47.0	46.9	46.8	46.5	46.2	46.0	44.5	47.5	47.7	48.2	48.5	48.5	47.7	45.0	41.7	42.5
T/R	26.9	27.1	27.3	27.5	27.6	27.7	27.9	28.1	28.2	28.3	28.6	28.8	28.8	28.3	26.7	24.8	25.2
KW	2.3	2.6	2.9	3.2	3.4	3.5	3.8	4.1	4.4	4.7	5.0	5.2	5.3	5.6	5.9	6.2	6.5
AMPS	7.7	9.0	10.3	11.6	12.3	12.9	14.1	15.4	16.7	18.0	19.2	20.0	20.5	21.8	23.1	24.3	25.6
COP	5.88	5.21	4.68	4.24	4.00	3.84	3.53	3.17	3.16	2.97	2.83	2.75	2.69	2.50	2.25	1.98	1.93
Hi PR	443	428	414	400	391	385	371	356	342	328	313	305	299	284	270	256	241
LO PR	143	134	125	116	111	107	99	90	81	72	63	58	54	45	36	27	18

GLZT7CA6010A*+DMVT60DP1300A*

100 % CAPACITY

	OUTDOOR AMBIENT TEMPERATURE																
	65	60	55	50	47	45	40	35	30	25	20	17	15	10	5	0	-5
MBh	57.6	57.2	56.8	56.5	56.0	55.5	55.1	53.0	56.2	56.2	56.7	57.0	57.0	55.9	52.7	48.7	49.6
T/R	26.7	26.8	26.9	27.0	27.0	27.1	27.1	27.2	27.1	27.2	27.4	27.5	27.5	27.0	25.4	23.5	23.9
KW	3.0	3.4	3.7	4.0	4.2	4.3	4.6	4.9	5.2	5.5	5.8	6.0	6.2	6.5	6.8	7.1	7.4
AMPS	10.2	11.6	12.9	14.3	15.1	15.6	17.0	18.3	19.7	21.0	22.4	23.2	23.7	25.1	26.4	27.8	29.1
COP	5.54	5.00	4.54	4.16	3.94	3.79	3.51	3.16	3.16	2.98	2.85	2.77	2.71	2.53	2.28	2.01	1.96
Hi PR	404	391	378	365	357	352	339	325	312	299	286	278	273	260	247	233	220
LO PR	137	128	120	111	106	103	94	86	77	69	60	55	52	43	35	26	18

Calculations are based on nominal CFM and 70 °F indoor dry bulb.

Amps = Outdoor unit amps (comp.+fan)

Note: Shaded area is AHRI Rating Conditions at 47°F outdoor ambient temperature

kW = Total system power

GLZT7CA2410A*+DMVT30BP1300A*

70 % CAPACITY

	OUTDOOR AMBIENT TEMPERATURE																
	65	60	55	50	47	45	40	35	30	25	20	17	15	10	5	0	-5
MBh	19.6	18.9	18.3	17.7	17.3	17.0	16.4	15.3	15.4	15.1	14.9	14.8	14.6	14.2	13.2	12.1	12.2
T/R	32.1	31.4	30.7	30.0	29.5	29.2	28.4	27.3	26.3	25.7	25.4	25.3	25.0	24.2	22.5	20.6	20.7
KW	0.8	0.9	0.9	1.0	1.0	1.0	1.1	1.1	1.2	1.2	1.3	1.3	1.3	1.3	1.4	1.4	1.5
AMPS	2.7	2.9	3.1	3.3	3.4	3.5	3.7	3.9	4.2	4.4	4.6	4.7	4.8	5.0	5.2	5.4	5.6
COP	7.05	6.44	5.90	5.42	5.13	4.93	4.55	4.06	3.91	3.67	3.49	3.39	3.30	3.08	2.77	2.45	2.38
Hi PR	392	379	366	354	346	341	328	315	303	290	277	270	264	252	239	226	213
LO PR	147	138	129	119	114	110	101	92	83	74	65	59	55	46	37	28	19

GLZT7CA3610A*+DMVT42CP1300A*

70 % CAPACITY

	OUTDOOR AMBIENT TEMPERATURE																
	65	60	55	50	47	45	40	35	30	25	20	17	15	10	5	0	-5
MBh	28.2	27.4	26.5	25.7	25.1	24.6	23.8	22.3	22.5	22.0	21.8	21.7	21.5	20.9	19.4	17.8	17.9
T/R	21.1	20.7	20.2	19.8	19.5	19.4	18.9	18.1	17.5	17.1	17.0	16.9	16.7	16.2	15.1	13.8	13.9
KW	1.2	1.3	1.4	1.4	1.5	1.5	1.6	1.7	1.7	1.8	1.9	1.9	2.0	2.0	2.1	2.2	2.3
AMPS	3.4	3.7	4.0	4.3	4.5	4.7	5.0	5.3	5.6	6.0	6.3	6.5	6.6	7.0	7.3	7.6	7.9
COP	6.86	6.26	5.73	5.26	4.98	4.79	4.41	3.95	3.81	3.57	3.40	3.30	3.22	3.01	2.70	2.38	2.32
Hi PR	395	382	369	357	349	344	331	318	305	292	279	272	267	254	241	228	215
LO PR	142	133	124	115	110	107	98	89	80	71	62	57	54	45	36	27	18

GLZT7CA4810A*+DMVT60DP1300A*

70 % CAPACITY

	OUTDOOR AMBIENT TEMPERATURE																
	65	60	55	50	47	45	40	35	30	25	20	17	15	10	5	0	-5
MBh	36.5	35.7	34.9	34.1	33.5	33.0	32.3	30.6	31.5	31.1	31.0	31.0	30.8	30.0	28.1	25.8	26.1
T/R	20.8	20.6	20.3	20.1	19.9	19.8	19.6	19.2	18.7	18.4	18.4	18.4	18.3	17.8	16.7	15.3	15.5
KW	1.6	1.7	1.8	1.9	2.0	2.0	2.1	2.2	2.3	2.5	2.6	2.6	2.7	2.8	2.9	3.0	3.1
AMPS	4.3	4.8	5.3	5.8	6.1	6.3	6.8	7.3	7.7	8.2	8.7	9.0	9.2	9.7	10.2	10.7	11.1
COP	6.83	6.24	5.72	5.26	4.99	4.81	4.45	4.00	3.93	3.70	3.53	3.44	3.36	3.14	2.83	2.50	2.44
Hi PR	429	415	401	387	379	373	359	345	331	318	304	295	290	276	262	248	234
LO PR	141	132	123	114	109	106	97	88	79	71	62	57	53	44	36	27	18

GLZT7CA6010A*+DMVT60DP1300A*

70 % CAPACITY

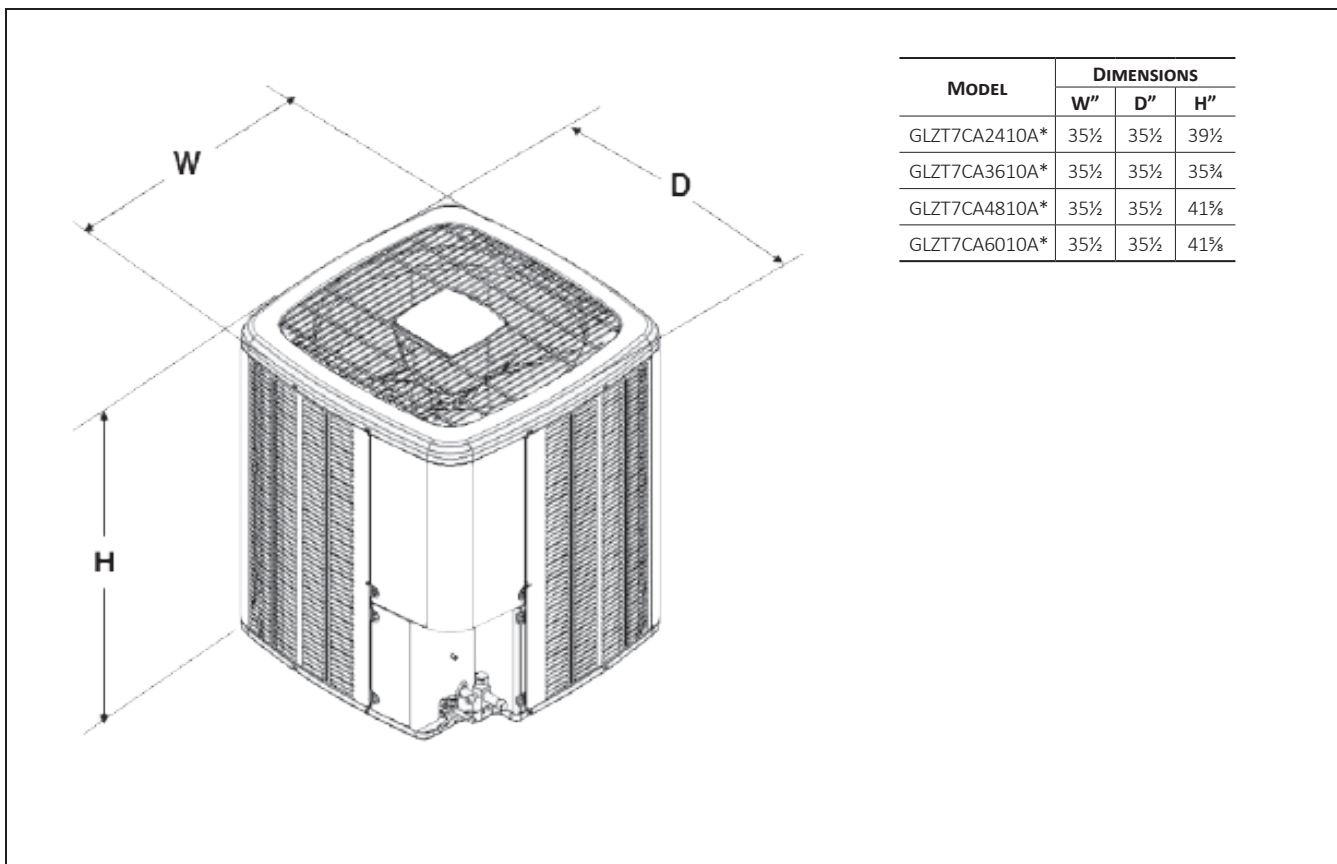
	OUTDOOR AMBIENT TEMPERATURE																
	65	60	55	50	47	45	40	35	30	25	20	17	15	10	5	0	-5
MBh	44.5	43.4	42.3	41.2	40.4	39.7	38.7	36.5	37.3	36.7	36.5	36.4	36.1	35.1	32.8	30.1	30.4
T/R	20.7	20.3	20.0	19.7	19.5	19.4	19.1	18.5	18.0	17.7	17.6	17.6	17.4	17.0	15.9	14.5	14.7
KW	2.0	2.1	2.2	2.3	2.4	2.5	2.6	2.7	2.8	2.9	3.0	3.1	3.1	3.2	3.3	3.5	3.6
AMPS	5.7	6.2	6.6	7.1	7.4	7.6	8.1	8.6	9.1	9.6	10.1	10.3	10.5	11.0	11.5	12.0	12.5
COP	6.52	6.02	5.57	5.16	4.92	4.75	4.42	3.99	3.92	3.70	3.55	3.46	3.39	3.18	2.87	2.55	2.50
Hi PR	392	379	366	354	346	341	328	315	303	290	277	270	264	252	239	226	213
LO PR	134	126	117	109	104	101	92	84	76	67	59	54	51	42	34	26	17

Calculations are based on nominal CFM and 70 °F indoor dry bulb.

Amps = Outdoor unit amps (comp.+fan)

Note: Shaded area is AHRI Rating Conditions at 47°F outdoor ambient temperature

kW = Total system power



ACCESSORIES

MODEL	DESCRIPTION	GLZT7CA 2410A*	GLZT7CA 3610A*	GLZT7CA 4810A*	GLZT7CA 6010A*
ABK-20	Anchor Bracket Kit ◊	X	X	X	X
CSR-U-1	Hard-start Kit	X	X		
CSR-U-2	Hard-start Kit		X	X	X
CSR-U-3	Hard-start Kit			X	X
FSK01A ¹	Freeze Protection Kit	X	X	X	X
OT18-60A ²	Outdoor Thermostat w/ Lockout Stat	X	X	X	X
TXV-FX-KX-2T ³	TXV Kit	X			
TXV-FX-KX-3T ³	TXV Kit		X		
TXV-FX-KX-4T ³	TXV Kit			X	
TXV-FX-KX-5T ³	TXV Kit				X

Note: Maximum number of installed accessories at the same time is limited by the size of the unit's control box.

⁰ Contains 20 brackets; four brackets needed to anchor unit to pad

¹ Installed on indoor coil

² Available in 24V legacy mode only. This feature is integrated in the communicating mode. Required for heat pump applications where ambient temperature falls below 0 °F with 50% or higher relative humidity.

³ Condensing units and heat pumps with reciprocating or rotary compressors require the use of start-assist components when used in conjunction with an indoor coil using a non-bleed thermal expansion valve refrigerant metering device or liquid solenoid kit. The TXV should always be sized based on the tonnage of the outdoor unit.

All AHRI system ratings are accessible in the System Configurator tool via PartnerLink.

