

## CEILING-MOUNT AIR HANDLERS 1½ TO 2½ TONS



### Contents

Nomenclature .....	2
Product Specifications .....	3
Dimensions .....	4
Airflow Data .....	5
Heat Kit Data.....	5
Wiring Diagram .....	6
Accessories .....	7

**R32**

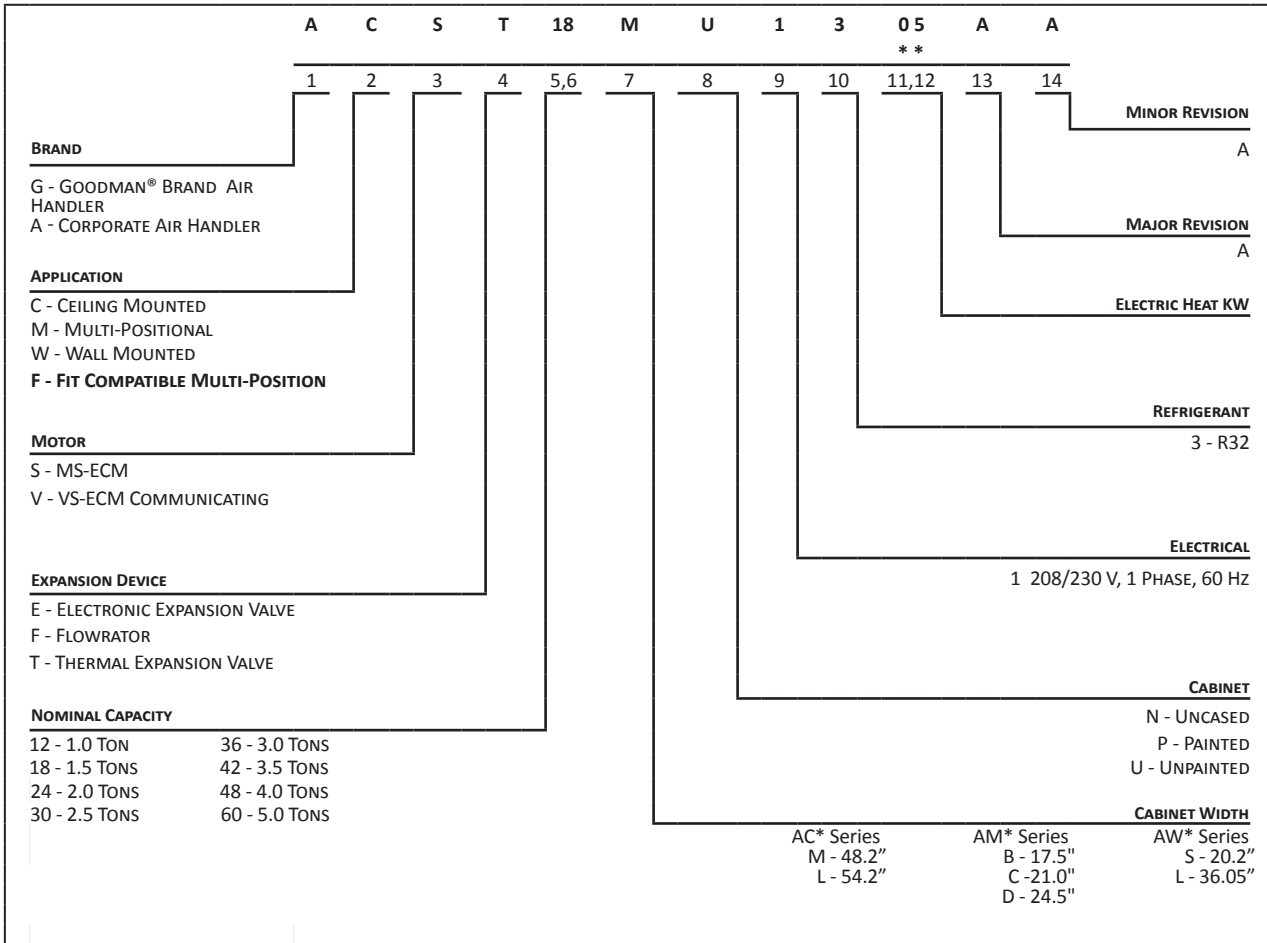
### Product Features

- All-Aluminum tube/aluminum fin coil
- Direct-drive, resilient-mount, multi-speed motor
- Sequence-controlled and rust-resistant nickel chromium heating elements of 5, 6, 8 and 10 kW
- High-efficiency evaporator coil
- Quiet operation
- ACST Models: Equipped with a factory installed and fully adjustable TXV for improved performance
- Factory installed casing along with mounting brackets for all tonnages
- Configurable front and bottom return for all tonnages
- Factory installed R-32 sensor designed for the lifespan of the coil
- AHRI Certified; ETL Listed
- Primary/secondary drain connection in a high-temperature plastic drain pan
- Suitable for free-return installation (non-ducted return air)
- Galvanized-steel construction
- Factory-installed pull-type disconnect
- Easy service access
- Optimized for the use with R-32 refrigerant
- Cabinet air leakage less than 2% at 1 inch H<sub>2</sub>O when tested in accordance with ASHRAE standard 193
- Cabinet air leakage less than 1.4% at 1 inch H<sub>2</sub>O when tested in accordance with ASHRAE standard 193



\* Complete warranty details available from your local dealer/contractor or at [www.daikincomfort.com](http://www.daikincomfort.com). To receive the 10-Year Parts Limited Warranty, online registration must be completed within 60 days of installation. Online registration and some of the additional requirements are not required in Florida, California, or Québec. The duration of warranty coverage in Texas and Florida differs in some cases. Other limitations and exclusions apply; refer to complete warranty details for a full list of limitations and exclusions.

NOMENCLATURE

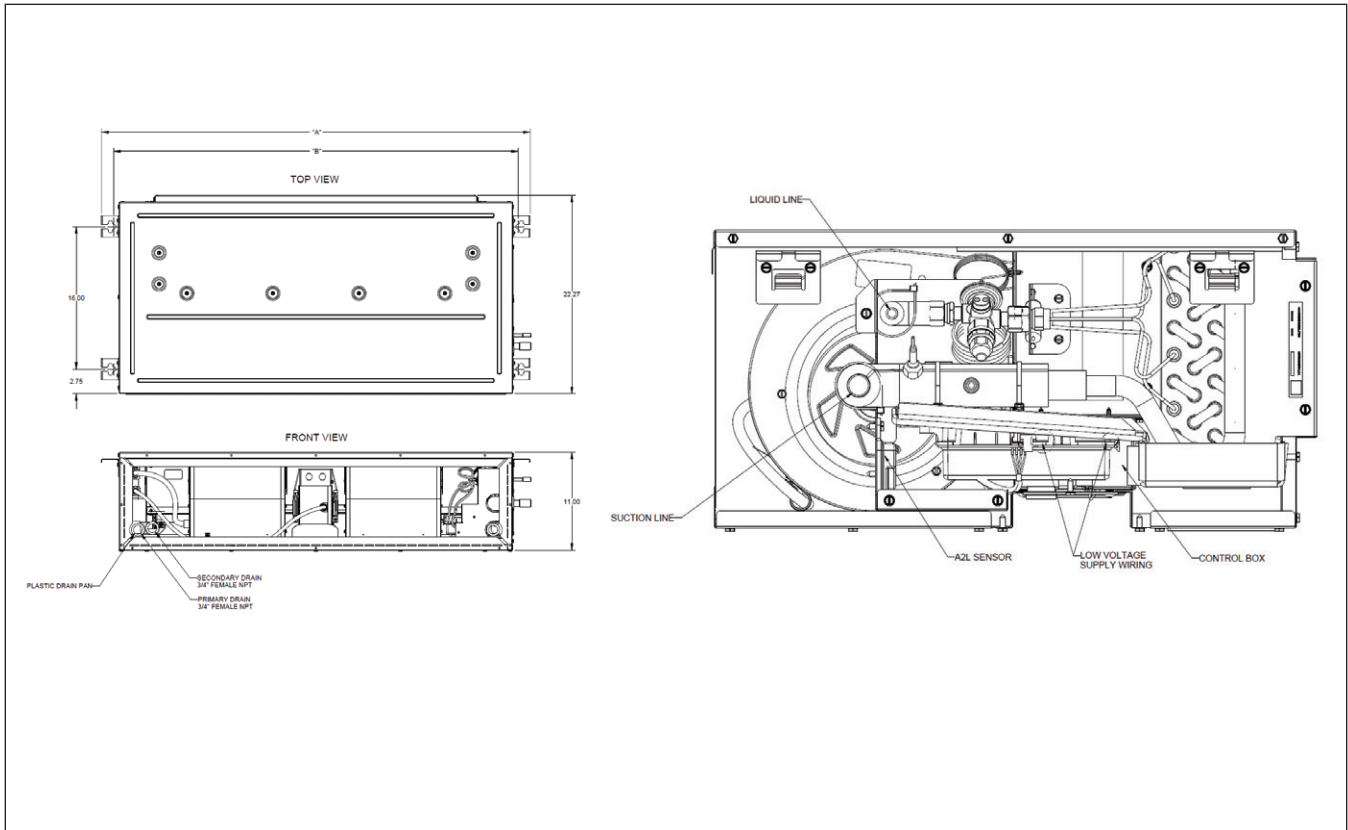


	ACST18 MU1305AA	ACST18 MU1308AA	AST24 LU13 05AA	ACST24 LU1306AA	ACST24 LU1308AA	ACST24 LU1310AA	ACST30 LU1305AA	ACST30 LU1306AA	ACST30 LU1308AA	ACST30 LU1310AA
<b>NOMINAL RATINGS</b>										
Cooling (BTU/h)	18,000	18,000	24,000	24,000	24,000	24,000	30,000	30,000	30,000	30,000
<b>BLOWER</b>										
Diameter	6.3	6.3	6.7	6.7	6.7	6.7	6.7	6.7	6.7	6.7
Width	8.06	8.06	8.06	8.06	8.06	8.06	8.06	8.06	8.06	8.06
Coil Drain Connect FPT	3/4"	3/4"	3/4"	3/4"	3/4"	3/4"	3/4"	3/4"	3/4"	3/4"
<b>BLOWER MOTOR</b>										
FLA	2	2	2	2	2	2	2	2	2	2
HP	1/4	1/4	1/4	1/4	1/4	1/4	1/4	1/4	1/4	1/4
<b>REFRIGERANT LINE CONNECTION SIZE</b>										
Liquid	3/8"	3/8"	3/8"	3/8"	3/8"	3/8"	3/8"	3/8"	3/8"	3/8"
Suction	3/4"	3/4"	3/4"	3/4"	3/4"	3/4"	3/4"	3/4"	3/4"	3/4"
<b>ELECTRICAL DATA</b>										
Voltage	208/230	208/230	208/230	208/230	208/230	208/230	208/230	208/230	208/230	208/230
Min Circuit Ampacity @ 230V	28.5	44.2	28.5	33.8	44.2	54.6	28.5	33.8	44.2	54.6
Min Circuit Ampacity @ 208V	25.1	38.6	25.1	29.6	38.6	47.6	25.1	29.6	38.6	47.6
Max. Overcurrent Device @ 230V	30	45	30	35	45	60	30	35	45	60
Max. Overcurrent Device @ 208V	30	40	30	30	40	50	30	30	40	50
Minimum Voltage VAC	197	197	197	197	197	197	197	197	197	197
Maximum Voltage VAC	253	253	253	253	253	253	253	253	253	253
<b>ELECTRIC HEAT</b>										
kW @ 230 Volts	5.0	8.0	5.0	6.0	8.0	10.0	5.0	6.0	8.0	10.0
BTU/h @ 230 Volts	15600.0	25000.0	15600.0	18800.0	25000.0	31300.0	15600.0	18800.0	25000.0	31300.0
<b>SHIP WEIGHT (LBS)</b>	85	85	97	97	97	97	97	97	97	97

**NOTES**

- When the room thermostat calls for second stage heat, the first stage (heat pump) operation must be locked out. When matching the "AC" unit with a heat pump, order "HEAT PUMP SHUT OFF KIT HPSK-01."

**DIMENSIONS**



	ACST18	ACST24	ACST30
A	48 <sup>1</sup> / <sub>5</sub>	54 <sup>1</sup> / <sub>5</sub>	54 <sup>1</sup> / <sub>5</sub>
B	45 <sup>7</sup> / <sub>16</sub>	51 <sup>7</sup> / <sub>16</sub>	51 <sup>7</sup> / <sub>16</sub>
C	36 <sup>1</sup> / <sub>5</sub>	42 <sup>1</sup> / <sub>5</sub>	42 <sup>1</sup> / <sub>5</sub>
D	6 <sup>1</sup> / <sub>2</sub>	6 <sup>1</sup> / <sub>2</sub>	6 <sup>1</sup> / <sub>2</sub>

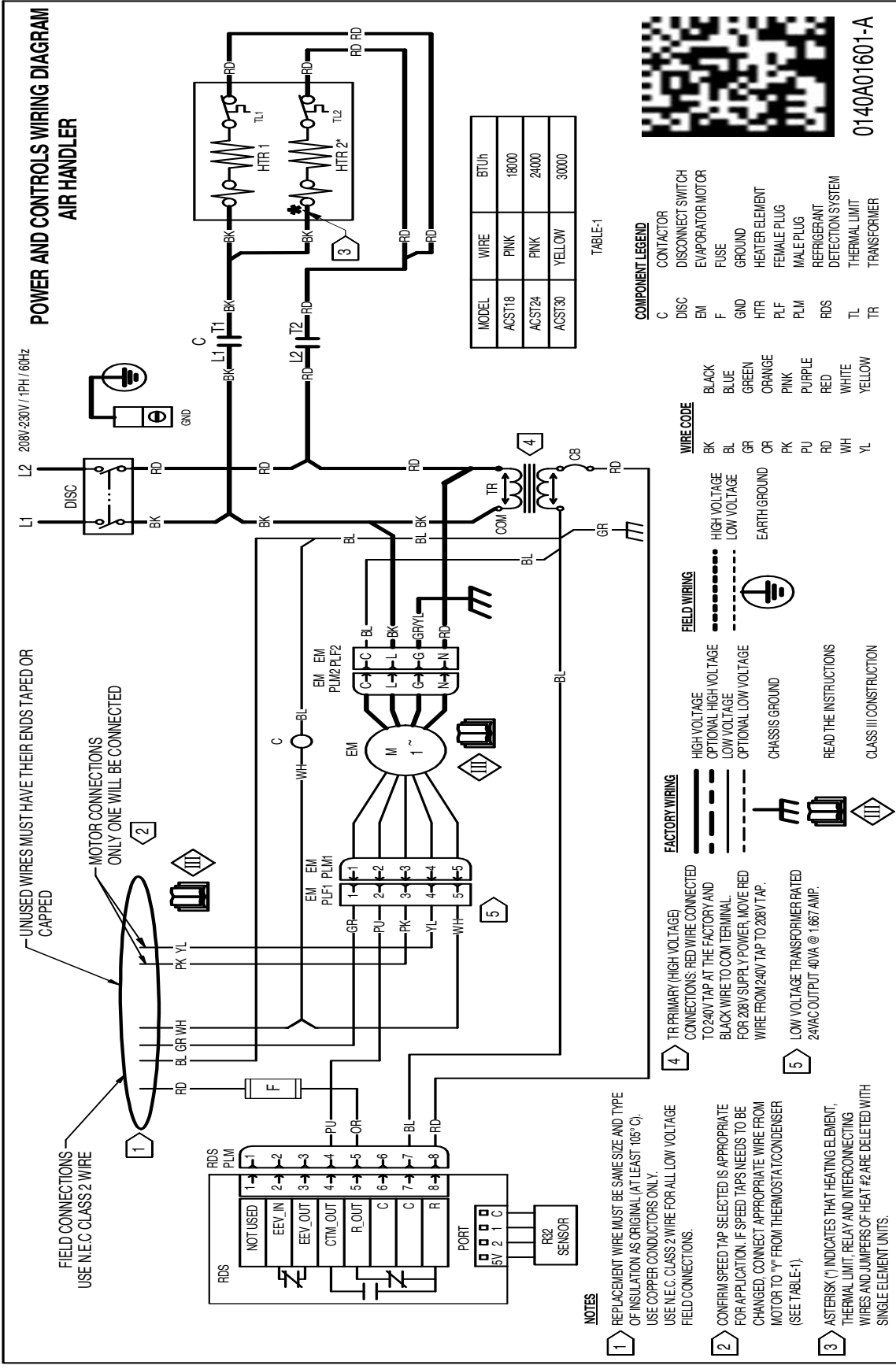
MODEL	MOTOR SPEED	AIRFLOW RATE DELIVERED AGAINST EXTERNAL STATIC PRESSURE, (CFM)				
		0.1"	0.2"	0.3"	0.4"	0.5"
ACST18MU13**AA	T1	631	583	538	506	452
	T2	631	583	538	506	452
	T3	694	645	601	557	516
	T4	831	776	729	685	605
	T5	831	776	729	685	605
ACST24LU13**AA ACST30LU13**AA	T1	829	766	721	674	631
	T2	829	766	721	674	631
	T3	869	820	773	728	686
	T4	934	883	840	793	743
	T5	934	883	840	793	743

Note: Airflow data indicated is at 230 V with no filter in place.

**HEATING CAPACITY/kW CORRECTION FACTOR**

<b>SUPPLY VOLTAGE</b>	240	230	220	210	208
<b>CORRECTION FACTOR</b>	1.00	0.92	0.84	0.77	0.75

(Multiply the 240V heating capacity with correction factors)



**WARNING**

High Voltage: Disconnect all power before servicing or installing this unit. Multiple power sources may be present. Failure to do so may cause property damage, personal injury, or death.

Wiring is subject to change. Always refer to the wiring diagram on the unit for the most up-to-date wiring.

MODEL	DESCRIPTION
HPSK-01	Heat Pump Shut-off Relay Kit
<b>LOUVERED CEILING ACCESS PANELS</b>	
CAP-2/ 2L	ACST18
CAP-3/ 3L	ACST24/30

