

7½ & 10-Ton, Three-Phase  
Split System Heat Pump  
16.4 IEER/ 3.4 COP/R-32



<b>Contents</b>	
Nomenclature .....	2
Product Specifications .....	3
Expanded Cooling Data .....	4
Expanded Heating Data .....	8
Dimensions.....	9
Wiring Diagram .....	10
Accessories.....	11

## R32

### Standard Features

- Two-Stage tandem compressor design with internal pressure release valve.
- High-capacity, steel-cased, bi-flow heat pump filter drier
- Liquid refrigerant return protection
- Check flowrate heating mode expansion device
- Reliable, time-initiated, temperature-terminated defrost control
- High and low pressure switches
- Discharge line muffler
- Brass liquid and suction line service valves mounted at a 90° angle with sweat connections and service ports
- High-efficiency copper tube / aluminum fin coil
- Complies with ASHRAE 90.1-2016
- AHRI Certified; ETL Listed

### Cabinet Features

- Innovative sound control top design
- Steel louver coil guard protects coil from damage and adds strength to the unit
- 500-hour salt-spray test
- Heavy-gauge, galvanized-steel cabinet
- Attractive Nickel Gray powder-paint finish
- When properly anchored, meets the 2010 Florida Building Code unit integrity requirements for hurricane-type winds (Anchor bracket kits available.)



\* Complete warranty details available from your local dealer or at [www.daikincomfort.com](http://www.daikincomfort.com) or [www.daikinac.com](http://www.daikinac.com)

	D	H	6	T	E	090	3	0	A	A	
	1	2	3	4	5	6,7,8	9	10	11	12	
<b>Brand</b> D - Daikin											<b>Minor Rev</b> A: Initial Release
<b>Type</b> C: Condenser R32 H: HP R-32											<b>Major Revision</b> A: Initial Release
<b>IEER</b> 6: 16.0 - 16.4											<b>Variation</b>
<b>Compressor</b> T: Two Stage											<b>Electrical</b> 3 - 208/230V Three-Phase 60Hz 4 - 460V Three-Phase 60HZ
<b>Feature Set</b> E - Base											<b>Tonnage Nominal</b> 090 - 7½ tons 120 - 10 tons

	DH6TE 09030A*	DH6TE 09040A*	DH6TE 12030A*	DH6TE 12040A*
<b>COOLING CAPACITIES</b>				
Nominal Cooling (BTU/h) <sup>1</sup>	92,000	92,000	115,000	115,000
Nominal Heating (BTU/h) <sup>1</sup>	85,000	85,000	97,000	97,000
EER/IEER	11.4 / 16.0	11.4 / 16.0	11.2 / 16.0	11.2 / 16.0
Decibels	83.9	83.9	85.9	85.9
<b>COMPRESSOR (TANDEM)</b>				
RLA	14.1	6.4	15.4	7.7
LRA	120.4	55.1	156.4	69
<b>CONDENSER FAN MOTOR</b>				
Horsepower	1	1	1	1
FLA	7	3.5	7	3.5
<b>REFRIGERATION SYSTEM</b>				
Liquid Connection Valve Size ("O.D.)	5/8"	5/8"	5/8"	5/8"
Suction Connection Valve Size ("O.D.)	1 1/8"	1 1/8"	1 1/8"	1 1/8"
Valve Type	Sweat	Sweat	Sweat	Sweat
Refrigerant Charge (oz.) <sup>2</sup>	110	110	110	110
<b>ELECTRICAL DATA</b>				
AC Volts	208/230	460	208/230	460
Hz / Phase	60 Hz/3	60 Hz/3	60 Hz/3	60 Hz/3
Minimum Circuit Ampacity <sup>3</sup>	38.7	17.9	41.6	20.8
Max. Overcurrent Protection <sup>4</sup>	50	20	50	25
Min / Max Volts	197/253	414/506	197/253	414/506
Electrical Conduit Size	1/2" or 3/4"	1/2" or 3/4"	1/2" or 3/4"	1/2" or 3/4"
<b>SHIP WEIGHT (LBS)</b>	417	417	417	417

<sup>1</sup> Tested and rated in accordance with ARI Standard 208/230

<sup>2</sup> Factory Holding Charge. Follow Installation Instructions for system charge

<sup>3</sup> Wire size should be determined in accordance with National Electrical Codes; extensive wire runs will require larger wire sizes

<sup>4</sup> Must use time-delay fuses or HACR-type circuit breakers of the same size as noted.

**NOTES**

- Always check the rating plate for electrical data on the unit being installed.
- Installer will need to supply 5/8" to 1 1/8" adapters for suction line connections.

IDB	AIRFLOW	OUTDOOR AMBIENT TEMPERATURE												ENTERING INDOOR WET BULB TEMPERATURE											
		65°F				75°F				85°F				95°F				105°F				115°F			
		59	63	67	71	59	63	67	71	59	63	67	71	59	63	67	71	59	63	67	71	59	63	67	71
<b>2520</b>	Capacity	93,828	95,150	97,946	-	92,990	94,312	97,109	-	90,546	91,868	94,664	-	86,341	87,663	90,459	-	81,202	82,524	85,320	-	76,510	77,832	80,628	-
	S/T	0.6	0.5	0.4	-	0.6	0.5	0.4	-	0.6	0.6	0.4	-	0.7	0.6	0.4	-	0.7	0.6	0.5	-	0.7	0.7	0.5	-
	Evap dT	19.5	17.7	14.3	-	19.5	17.6	14.2	-	19.7	17.9	14.5	-	19.4	17.6	14.2	-	19.2	17.4	14.0	-	20.3	18.5	15.1	-
	Pr-Suc	113.5	114.9	117.8	-	120.4	121.8	124.6	-	126.4	127.8	130.7	-	131.5	132.9	135.8	-	136.5	137.9	140.8	-	142.8	144.2	147.0	-
	Pr-Dis	273.1	274.3	276.2	-	316.1	317.3	319.2	-	361.2	362.4	364.3	-	409.7	410.9	412.8	-	462.1	463.2	465.2	-	517.9	519.1	521.0	-
	ODAmps	23.3	23.3	23.2	-	26.6	26.6	26.5	-	30.3	30.3	30.2	-	34.3	34.3	34.2	-	38.8	38.7	38.7	-	44.0	44.0	43.9	-
	TotalPower	5,655	5,649	5,637	-	6,379	6,373	6,361	-	7,187	7,182	7,169	-	8,062	8,056	8,044	-	9,039	9,034	9,021	-	10,186	10,180	10,168	-
<b>70</b>	Capacity	94,829	96,151	98,947	-	93,991	95,313	98,109	-	91,547	92,869	95,665	-	87,342	88,664	91,460	-	82,203	83,525	86,321	-	77,511	78,833	81,629	-
	S/T	0.6	0.6	0.4	-	0.7	0.6	0.4	-	0.7	0.6	0.5	-	0.7	0.6	0.5	-	0.7	0.6	0.5	-	1.0	0.7	0.6	-
	Evap dT	18.6	16.8	13.4	-	18.6	16.8	13.4	-	18.8	17.0	13.6	-	18.6	16.7	13.3	-	18.3	16.5	13.1	-	19.5	17.6	14.2	-
	Pr-Suc	114.8	116.2	119.1	-	121.7	123.1	126.0	-	127.7	129.1	132.0	-	132.8	134.2	137.1	-	137.8	139.2	142.1	-	144.1	145.5	148.4	-
	Pr-Dis	274.9	276.1	278.0	-	318.0	319.1	321.1	-	363.0	364.2	366.1	-	411.6	412.8	414.7	-	463.9	465.1	467.0	-	519.7	520.9	522.8	-
	ODAmps	23.4	23.4	23.3	-	26.7	26.7	26.7	-	30.4	30.4	30.4	-	34.4	34.4	34.4	-	38.9	38.9	38.8	-	44.2	44.1	44.1	-
	TotalPower	5,684	5,679	5,666	-	6,408	6,403	6,390	-	7,217	7,211	7,199	-	8,091	8,086	8,073	-	9,069	9,063	9,051	-	10,215	10,209	10,197	-
<b>3080</b>	Capacity	95,988	97,310	100,106	-	95,150	96,472	99,268	-	92,706	94,028	96,824	-	88,501	89,823	92,619	-	83,362	84,684	87,480	-	78,670	79,992	82,788	-
	S/T	0.7	0.6	0.5	-	0.7	0.6	0.5	-	0.7	0.6	0.5	-	0.7	0.7	0.5	-	0.7	0.7	0.5	-	1.0	0.7	0.6	-
	Evap dT	17.9	16.1	12.7	-	17.8	16.0	12.6	-	18.1	16.3	12.9	-	17.8	16.0	12.6	-	17.6	15.8	12.3	-	18.7	16.9	13.5	-
	Pr-Suc	116.3	117.7	120.6	-	123.2	124.6	127.4	-	129.2	130.6	133.5	-	134.3	135.7	138.6	-	139.3	140.7	143.6	-	145.6	147.0	149.8	-
	Pr-Dis	276.7	277.9	279.8	-	319.8	320.9	322.9	-	364.8	366.0	367.9	-	413.4	414.5	416.5	-	465.7	466.9	468.8	-	521.5	522.7	524.6	-
	ODAmps	23.5	23.5	23.5	-	26.9	26.8	26.8	-	30.5	30.5	30.5	-	34.6	34.5	34.5	-	39.0	39.0	38.9	-	44.3	44.2	44.2	-
	TotalPower	5,710	5,704	5,692	-	6,434	6,428	6,416	-	7,242	7,236	7,224	-	8,117	8,111	8,099	-	9,094	9,088	9,076	-	10,241	10,235	10,223	-
<b>75</b>	Capacity	93,883	95,205	98,001	102,272	93,045	94,367	97,163	101,434	90,601	91,923	94,719	98,990	86,396	87,718	90,514	94,785	81,257	82,579	85,375	89,646	76,565	77,887	80,683	84,954
	S/T	0.7	0.7	0.5	0.4	0.7	0.7	0.5	0.4	0.8	0.7	0.6	0.4	0.8	0.7	0.6	0.4	1.0	0.7	0.6	0.5	1.0	0.8	0.6	0.5
	Evap dT	23.5	21.7	18.3	14.8	23.5	21.6	18.2	14.7	23.7	21.9	18.5	15.0	23.5	21.6	18.2	14.7	23.2	21.4	18.0	14.4	24.4	22.5	19.1	15.6
	Pr-Suc	113.5	114.9	117.8	122.6	120.4	121.8	124.7	129.5	126.4	127.8	130.7	135.5	131.5	132.9	135.8	140.6	136.5	137.9	140.8	145.6	142.8	144.2	147.1	151.9
	Pr-Dis	273.3	274.5	276.4	281.2	316.4	317.6	319.5	324.2	361.4	362.6	364.5	369.3	410.0	411.2	413.1	417.8	462.3	463.5	465.4	470.1	518.1	519.3	521.2	526.0
	ODAmps	23.3	23.2	23.2	23.4	26.6	26.6	26.5	26.7	30.3	30.3	30.2	30.4	34.3	34.3	34.2	34.5	38.8	38.7	38.7	38.9	44.0	44.0	43.9	44.2
	TotalPower	5,650	5,644	5,632	5,687	6,374	6,369	6,356	6,412	7,182	7,177	7,164	7,220	8,057	8,052	8,039	8,095	9,034	9,029	9,016	9,072	10,181	10,175	10,163	10,218
<b>2520</b>	Capacity	94,884	96,206	99,002	103,273	94,046	95,368	98,164	102,435	91,602	92,924	95,720	99,991	87,396	88,719	91,515	95,786	82,257	83,579	86,375	90,646	77,566	78,888	81,684	85,955
	S/T	0.8	0.7	0.6	0.4	0.8	0.7	0.6	0.4	0.8	0.7	0.6	0.5	0.8	0.8	0.6	0.5	1.0	0.8	0.6	0.5	1.0	0.8	0.7	0.6
	Evap dT	22.7	20.8	17.4	13.9	22.6	20.8	17.4	13.8	22.9	21.0	17.6	14.1	22.6	20.8	17.4	13.8	22.3	20.5	17.1	13.6	23.5	21.7	18.3	14.7
	Pr-Suc	114.9	116.2	119.1	123.9	121.7	123.1	126.0	130.8	127.8	129.2	132.0	136.9	132.9	134.3	137.1	142.0	137.9	139.3	142.1	147.0	144.1	145.5	148.4	153.2
	Pr-Dis	275.2	276.4	278.3	283.0	318.2	319.4	321.3	326.1	363.3	364.5	366.4	371.1	411.8	413.0	414.9	419.7	464.1	465.3	467.2	472.0	520.0	521.2	523.1	527.8
	ODAmps	23.4	23.4	23.3	23.6	26.7	26.7	26.6	26.9	30.4	30.4	30.3	30.6	34.4	34.4	34.3	34.6	38.9	38.9	38.8	39.1	44.1	44.1	44.1	44.3
	TotalPower	5,680	5,674	5,661	5,717	6,404	6,398	6,386	6,441	7,212	7,206	7,194	7,249	8,087	8,081	8,069	8,124	9,064	9,058	9,046	9,101	10,210	10,205	10,192	10,248
<b>2800</b>	Capacity	96,043	97,365	100,161	104,432	95,205	96,527	99,323	103,594	92,761	94,083	96,879	101,150	88,556	89,878	92,674	96,945	83,416	84,738	87,535	91,806	78,725	80,047	82,843	87,114
	S/T	0.8	0.7	0.6	0.5	0.8	0.7	0.6	0.5	0.8	0.8	0.6	0.5	1.0	0.8	0.6	0.5	1.0	0.8	0.7	0.5	1.0	0.9	0.7	0.6
	Evap dT	21.9	20.1	16.7	13.1	21.9	20.0	16.6	13.1	22.1	20.3	16.9	13.3	21.8	20.0	16.6	13.1	21.6	19.8	16.4	12.8	22.7	20.9	17.5	14.0
	Pr-Suc	116.3	117.7	120.6	125.4	123.2	124.6	127.5	132.3	129.2	130.6	133.5	138.3	134.3	135.7	138.6	143.4	139.3	140.7	143.6	148.4	145.6	147.0	149.9	154.7
	Pr-Dis	277.0	278.2	280.1	284.8	320.0	321.2	323.1	327.9	365.1	366.3	368.2	372.9	413.6	414.8	416.7	421.5	465.9	467.1	469.0	473.8	521.8	523.0	524.9	529.6
	ODAmps	23.5	23.5	23.4	23.7	26.8	26.8	26.7	27.0	30.5	30.5	30.4	30.7	34.5	34.5	34.4	34.7	39.0	39.0	38.9	39.2	44.3	44.2	44.2	44.4
	TotalPower	5,705	5,699	5,687	5,742	6,429	6,423	6,411	6,466	7,237	7,232	7,219	7,275	8,112	8,106	8,094	8,149	9,089	9,084	9,071	9,127	10,236	10,230	10,218	10,273

IDB: Entering Indoor Dry Bulb Temperature  
 High and low pressures are measured at the liquid and suction service valves.  
 Shaded area reflects ACCA (TVA) conditions  
 kW=Total system power  
 Amps = outdoor unit amps (comp.-fhan)

IDB	AIRFLOW	OUTDOOR AMBIENT TEMPERATURE																							
		65°F				75°F				85°F				95°F				105°F				115°F			
		59	63	67	71	59	63	67	71	59	63	67	71	59	63	67	71	59	63	67	71	59	63	67	71
2520	Capacity	94,368	95,690	98,486	102,757	95,530	94,852	97,648	101,919	91,086	92,408	95,204	99,475	86,881	88,203	90,999	95,270	81,741	83,064	85,860	90,131	77,050	78,372	81,168	85,439
	S/T	0.9	0.8	0.6	0.5	0.9	0.8	0.7	0.5	1.0	0.8	0.7	0.5	1.0	0.8	0.7	0.6	1.0	0.8	0.7	0.6	1.0	0.9	0.8	0.6
	Evap dT	27.6	25.7	22.3	18.8	27.5	25.7	22.3	18.7	27.8	25.9	22.5	19.0	27.5	25.7	22.3	18.7	27.3	25.4	22.0	18.5	28.4	26.6	23.2	19.6
	Pr Suc	114.0	115.4	118.3	123.1	120.9	122.3	125.2	130.0	126.9	128.3	131.2	136.0	132.0	133.4	136.3	141.1	137.0	138.4	141.3	146.1	143.3	144.7	147.6	152.4
	Pr Dis	273.8	275.0	276.9	281.7	316.9	318.1	320.0	324.7	361.9	363.1	365.0	369.8	410.5	411.7	413.6	418.3	462.8	464.0	465.9	470.6	518.6	519.8	521.7	526.5
80	ODamps	23.3	23.3	23.2	23.5	26.6	26.6	26.5	26.8	30.3	30.3	30.2	30.5	34.3	34.3	34.2	34.5	38.8	38.7	38.7	38.9	44.0	44.0	43.9	44.2
	TotalPower	5,654	5,648	5,636	5,691	6,378	6,372	6,360	6,415	7,186	7,181	7,168	7,224	8,061	8,055	8,043	8,098	9,038	9,033	9,020	9,076	10,185	10,179	10,167	10,222
	Capacity	95,368	96,690	99,487	103,758	94,531	95,853	98,649	102,920	92,086	93,408	96,205	100,476	87,881	89,203	91,999	96,270	82,742	84,064	86,860	91,131	78,051	79,373	82,169	86,440
	S/T	0.9	0.8	0.7	0.6	0.9	0.8	0.7	0.6	1.0	0.9	0.7	0.6	1.0	0.9	0.7	0.6	1.0	0.9	0.8	0.6	1.0	1.0	0.8	0.7
	Evap dT	26.7	24.9	21.5	17.9	26.7	24.8	21.4	17.9	26.9	25.1	21.7	18.1	26.6	24.8	21.4	17.9	26.4	24.6	21.2	17.6	27.5	25.7	22.3	18.8
3080	Pr Suc	116.8	118.2	121.1	125.9	123.7	125.1	128.0	132.8	129.7	131.1	134.0	138.8	134.8	136.2	139.1	143.9	139.8	141.2	144.1	148.9	146.1	147.5	150.4	155.2
	Pr Dis	277.5	278.7	280.6	285.3	320.5	321.7	323.6	328.4	365.6	366.8	368.7	373.4	414.1	415.3	417.2	422.0	466.4	467.6	469.5	474.3	522.3	523.5	525.4	530.1
	ODamps	23.5	23.5	23.4	23.7	26.8	26.8	26.8	27.0	30.5	30.5	30.5	30.7	34.5	34.5	34.5	34.7	39.0	39.0	38.9	39.2	44.3	44.2	44.1	44.4
	TotalPower	5,709	5,703	5,691	5,746	6,433	6,427	6,415	6,470	7,241	7,236	7,223	7,279	8,116	8,110	8,098	8,153	9,093	9,088	9,075	9,131	10,240	10,234	10,222	10,277
	Capacity	96,528	97,850	100,646	104,917	95,690	97,012	99,808	104,079	93,246	94,568	97,364	101,635	89,040	90,363	93,159	97,430	83,901	85,223	88,019	92,290	79,210	80,532	83,328	87,599

2520	Capacity	95,945	97,267	100,063	104,334	95,107	96,429	99,225	103,496	92,663	93,985	96,781	101,052	88,458	89,780	92,576	96,847	83,319	84,641	87,437	91,708	78,627	79,949	82,745	87,016
	S/T	1.0	0.9	0.7	0.6	1.0	0.9	0.8	0.6	1.0	0.9	0.8	0.6	1.0	0.9	0.8	0.7	1.0	1.0	0.8	0.7	1.0	1.0	0.9	0.7
	Evap dT	31.1	29.3	25.9	22.4	31.1	29.3	25.9	22.3	31.4	29.5	26.1	22.6	31.1	29.3	25.8	22.3	30.8	29.0	25.6	22.1	32.0	30.2	26.7	23.2
	Pr Suc	115.7	117.1	120.0	124.8	122.6	124.0	126.9	131.7	128.6	130.0	132.9	137.7	133.7	135.1	138.0	142.8	138.7	140.1	143.0	147.8	145.0	146.4	149.3	154.1
	Pr Dis	275.1	276.3	278.2	283.0	318.2	319.3	321.3	326.0	363.2	364.4	366.3	371.1	411.8	412.9	414.9	419.6	464.1	465.3	467.2	471.9	519.9	521.1	523.0	527.8
85	ODamps	23.3	23.3	23.3	23.5	26.7	26.6	26.6	26.8	30.4	30.3	30.3	30.5	34.4	34.3	34.3	34.5	38.8	38.8	38.8	39.0	44.1	44.1	44.0	44.3
	TotalPower	5,668	5,662	5,650	5,705	6,392	6,386	6,374	6,429	7,200	7,194	7,182	7,237	8,075	8,069	8,057	8,112	9,052	9,046	9,034	9,089	10,199	10,193	10,181	10,236
	Capacity	96,946	98,268	101,064	105,335	96,108	97,430	100,226	104,497	93,664	94,986	97,782	102,053	89,458	90,781	93,577	97,848	84,319	85,641	88,437	92,708	79,628	80,950	83,746	88,017
	S/T	1.0	0.9	0.8	0.7	1.0	0.9	0.8	0.7	1.0	1.0	0.8	0.7	1.0	1.0	0.8	0.7	1.0	1.0	0.9	0.7	1.0	1.0	0.9	0.8
	Evap dT	30.3	28.5	25.0	21.5	30.2	28.4	25.0	21.5	30.5	28.7	25.3	21.7	30.2	28.4	25.0	21.4	30.0	28.1	24.7	21.2	31.1	29.3	25.9	22.3
3080	Pr Suc	117.0	118.4	121.3	126.1	123.9	125.3	128.2	133.0	130.0	131.4	134.2	139.1	135.1	136.5	139.3	144.2	140.1	141.5	144.3	149.2	146.3	147.7	150.6	155.4
	Pr Dis	277.0	278.2	280.1	284.8	320.0	321.2	323.1	327.8	365.1	366.2	368.2	372.9	413.6	414.8	416.7	421.4	465.9	467.1	469.0	473.8	521.8	522.9	524.9	529.6
	ODamps	23.5	23.5	23.4	23.6	26.8	26.8	26.7	27.0	30.5	30.5	30.4	30.7	34.5	34.5	34.4	34.7	39.0	38.9	38.9	39.1	44.2	44.2	44.1	44.4
	TotalPower	5,697	5,691	5,679	5,734	6,421	6,416	6,403	6,459	7,230	7,224	7,211	7,267	8,104	8,099	8,086	8,142	9,082	9,076	9,063	9,119	10,228	10,222	10,210	10,265
	Capacity	98,105	99,427	102,223	106,494	97,267	98,589	101,385	105,656	94,823	96,145	98,941	103,212	90,618	91,940	94,736	99,007	85,478	86,800	89,597	93,868	80,787	82,109	84,905	89,176
3080	S/T	1.0	0.9	0.8	0.7	1.0	1.0	0.8	0.7	1.0	1.0	0.8	0.7	1.0	1.0	0.8	0.7	1.0	1.0	0.9	0.7	1.0	1.0	0.9	0.8
	Evap dT	29.5	27.7	24.3	20.8	29.5	27.7	24.2	20.7	29.7	27.9	24.5	21.0	29.5	27.6	24.2	20.7	29.2	27.4	24.0	20.5	30.4	28.5	25.1	21.6
	Pr Suc	118.5	119.9	122.8	127.6	125.4	126.8	129.7	134.5	131.4	132.8	135.7	140.5	136.5	137.9	140.8	145.6	141.5	142.9	145.8	150.6	147.8	149.2	152.1	156.9
	Pr Dis	278.8	280.0	281.9	286.6	321.8	323.0	324.9	329.6	366.9	368.0	370.0	374.7	415.4	416.6	418.5	423.2	467.7	468.9	470.8	475.6	523.6	524.7	526.7	531.4
	ODamps	23.6	23.6	23.5	23.8	26.9	26.9	26.8	27.1	30.6	30.6	30.5	30.8	34.6	34.6	34.5	34.8	39.1	39.1	39.0	39.3	44.3	44.3	44.2	44.5
TotalPower	5,723	5,717	5,705	5,760	6,447	6,441	6,429	6,484	7,255	7,249	7,237	7,292	8,130	8,124	8,112	8,167	9,107	9,101	9,089	9,144	10,254	10,248	10,236	10,291	

IDB: Entering Indoor Dry Bulb Temperature  
 High and low pressures are measured at the liquid and suction service valves.  
 Shaded area reflects AHRI conditions  
 kW=Total system power  
 Amps = outdoor unit amps (comp.+fan)

EXPANDED COOLING DATA — DC6TE120\*\*/DAQ1204\*

IDB	AIRFLOW	OUTDOOR AMBIENT TEMPERATURE												ENTERING INDOOR WET BULB TEMPERATURE											
		65°F				75°F				85°F				95°F				105°F				115°F			
		59	63	67	71	59	63	67	71	59	63	67	71	59	63	67	71	59	63	67	71	59	63	67	71
<b>3407</b>	Capacity	117,285	118,938	122,433	-	116,238	117,891	121,386	-	113,183	114,835	118,331	-	107,927	109,579	113,074	-	101,503	103,155	106,650	-	95,638	97,291	100,786	-
	S/T	0.6	0.6	0.4	-	0.6	0.6	0.4	-	0.7	0.6	0.4	-	0.7	0.6	0.5	-	1.0	0.6	0.5	-	1.0	0.7	0.5	-
	Evap dT	19.0	17.2	13.9	-	18.9	17.1	13.8	-	19.2	17.4	14.1	-	18.9	17.1	13.8	-	18.7	16.9	13.6	-	19.8	18.0	14.7	-
	Pr-Suc	120.3	121.7	124.8	-	127.6	129.0	132.1	-	133.9	135.4	138.5	-	139.4	140.8	143.9	-	144.7	146.1	149.2	-	151.3	152.8	155.8	-
	Pr-Dis	292.1	293.4	295.4	-	338.1	339.4	341.4	-	386.3	387.6	389.6	-	438.2	439.5	441.5	-	494.2	495.5	497.5	-	553.9	555.2	557.2	-
	ODAmps	27.9	27.9	27.8	-	32.0	32.0	31.9	-	36.6	36.5	36.5	-	41.5	41.5	41.4	-	47.0	47.0	46.9	-	53.4	53.4	53.3	-
TotalPower	7,185	7,178	7,163	-	8,076	8,069	8,054	-	9,070	9,063	9,048	-	10,146	10,139	10,123	-	11,347	11,340	11,325	-	12,758	12,750	12,735	-	
<b>70</b>	Capacity	118,536	120,189	123,684	-	117,489	119,141	122,637	-	114,434	116,086	119,581	-	109,177	110,830	114,325	-	102,753	104,406	107,901	-	96,889	98,541	102,037	-
	S/T	0.7	0.6	0.5	-	0.7	0.6	0.5	-	0.7	0.6	0.5	-	0.7	0.6	0.5	-	1.0	0.7	0.5	-	1.0	0.7	0.6	-
	Evap dT	18.1	16.3	13.0	-	18.1	16.3	13.0	-	18.3	16.5	13.2	-	18.1	16.3	13.0	-	17.8	16.0	12.7	-	18.9	17.2	13.8	-
	Pr-Suc	121.7	123.2	126.2	-	129.0	130.5	133.5	-	135.4	136.9	139.9	-	140.8	142.3	145.3	-	146.1	147.6	150.6	-	152.7	154.2	157.2	-
	Pr-Dis	294.1	295.3	297.4	-	340.1	341.3	343.4	-	388.3	389.6	391.6	-	440.2	441.5	443.5	-	496.2	497.4	499.5	-	555.9	557.1	559.2	-
	ODAmps	28.1	28.1	28.0	-	32.2	32.2	32.1	-	36.7	36.7	36.6	-	41.7	41.6	41.6	-	47.2	47.1	47.1	-	53.6	53.6	53.5	-
TotalPower	7,221	7,214	7,199	-	8,112	8,105	8,090	-	9,106	9,099	9,084	-	10,182	10,175	10,159	-	11,384	11,377	11,361	-	12,794	12,787	12,771	-	
<b>4164</b>	Capacity	119,985	121,638	125,133	-	118,938	120,590	124,085	-	115,883	117,535	121,030	-	110,626	112,279	115,774	-	104,202	105,855	109,350	-	98,338	99,990	103,485	-
	S/T	0.7	0.6	0.5	-	0.7	0.6	0.5	-	0.7	0.7	0.5	-	0.8	0.7	0.5	-	1.0	0.7	0.6	-	1.0	0.8	0.6	-
	Evap dT	17.4	15.6	12.3	-	17.3	15.6	12.2	-	17.6	15.8	12.2	-	17.3	15.5	12.2	-	17.1	15.3	12.0	-	18.2	16.4	13.1	-
	Pr-Suc	123.2	124.7	127.8	-	130.5	132.0	135.1	-	136.9	138.4	141.4	-	142.3	143.8	146.9	-	147.6	149.1	152.2	-	154.3	155.7	158.8	-
	Pr-Dis	296.0	297.3	299.3	-	342.0	343.3	345.3	-	390.2	391.5	393.5	-	442.1	443.4	445.4	-	498.1	499.3	501.4	-	557.8	559.1	561.1	-
	ODAmps	28.3	28.2	28.2	-	32.3	32.3	32.2	-	36.9	36.8	36.8	-	41.8	41.8	41.7	-	47.3	47.3	47.2	-	53.8	53.7	53.7	-
TotalPower	7,253	7,246	7,231	-	8,143	8,136	8,121	-	9,137	9,130	9,115	-	10,213	10,206	10,191	-	11,415	11,408	11,393	-	12,825	12,818	12,803	-	
<b>3407</b>	Capacity	117,354	119,006	122,501	127,840	116,306	117,959	121,454	126,793	113,251	114,904	118,399	123,737	107,995	109,647	113,142	118,481	101,571	103,223	106,718	112,057	95,706	97,359	100,854	106,193
	S/T	0.8	0.7	0.5	0.4	0.8	0.7	0.6	0.4	1.0	0.7	0.6	0.4	1.0	0.7	0.6	0.5	1.0	0.8	0.6	0.5	1.0	0.8	0.7	0.5
	Evap dT	22.9	21.1	17.8	14.3	22.8	21.0	17.7	14.3	23.1	21.3	18.0	14.5	22.8	21.0	17.7	14.3	22.6	20.8	17.5	14.0	23.7	21.9	18.6	15.1
	Pr-Suc	120.3	121.8	124.8	129.9	127.6	129.1	132.1	137.2	134.0	135.5	138.5	143.6	139.4	140.9	143.9	149.0	144.7	146.2	149.2	154.3	151.3	152.8	155.9	161.0
	Pr-Dis	292.4	293.6	295.7	300.8	338.4	339.6	341.7	346.8	386.6	387.8	389.9	395.0	438.5	439.8	441.8	446.9	494.4	495.7	497.8	502.8	554.2	555.4	557.5	562.6
	ODAmps	27.9	27.9	27.8	28.1	32.0	32.0	31.9	32.2	36.5	36.5	36.4	36.8	41.5	41.4	41.4	41.7	47.0	46.9	46.9	47.2	53.4	53.4	53.3	53.6
TotalPower	7,179	7,172	7,157	7,225	8,070	8,063	8,048	8,116	9,064	9,057	9,042	9,110	10,140	10,133	10,118	10,186	11,342	11,335	11,319	11,388	12,752	12,745	12,729	12,798	
<b>75</b>	Capacity	118,604	120,257	123,752	129,091	117,557	119,210	122,705	128,043	114,502	116,154	119,650	124,988	109,246	110,898	114,393	119,732	102,822	104,474	107,969	113,308	96,957	98,610	102,105	107,443
	S/T	0.8	0.7	0.6	0.4	0.8	0.7	0.6	0.5	1.0	0.8	0.6	0.5	1.0	0.8	0.6	0.5	1.0	0.8	0.7	0.5	1.0	0.9	0.7	0.6
	Evap dT	22.0	20.2	16.9	13.5	22.0	20.2	16.9	13.4	22.2	20.4	17.1	13.7	22.0	20.2	16.9	13.4	21.7	19.9	16.6	13.2	22.8	21.1	17.7	14.3
	Pr-Suc	121.7	123.2	126.2	131.4	129.0	130.5	133.5	138.7	135.4	136.9	139.9	145.0	140.8	142.3	145.3	150.4	146.1	147.6	150.6	155.7	152.7	154.2	157.3	162.4
	Pr-Dis	294.3	295.6	297.6	302.7	340.3	341.6	343.7	348.7	388.5	389.8	391.9	396.9	440.5	441.7	443.8	448.9	496.4	497.7	499.7	504.8	556.1	557.4	559.5	564.5
	ODAmps	28.1	28.1	28.0	28.3	32.2	32.1	32.1	32.4	36.7	36.7	36.6	36.9	41.6	41.6	41.5	41.8	47.1	47.1	47.0	47.3	53.6	53.6	53.5	53.8
TotalPower	7,216	7,209	7,193	7,262	8,106	8,099	8,084	8,152	9,100	9,093	9,078	9,146	10,176	10,169	10,154	10,222	11,378	11,371	11,356	11,424	12,788	12,781	12,766	12,834	
<b>4164</b>	Capacity	120,053	121,706	125,201	130,540	119,006	120,659	124,154	129,492	115,951	117,603	121,098	126,437	110,695	112,347	115,842	121,181	104,271	105,923	109,418	114,757	98,406	100,058	103,554	108,892
	S/T	0.8	0.8	0.6	0.5	0.8	0.8	0.6	0.5	1.0	0.8	0.7	0.5	1.0	0.8	0.7	0.5	1.0	0.8	0.7	0.5	1.0	1.0	0.7	0.6
	Evap dT	21.3	19.5	16.2	12.8	21.2	19.5	16.2	12.7	21.5	19.7	16.4	13.0	21.2	19.4	16.1	12.7	21.0	19.2	15.9	12.5	22.1	20.3	17.0	13.6
	Pr-Suc	123.3	124.7	127.8	132.9	130.6	132.0	135.1	140.2	136.9	138.4	141.5	146.6	142.3	143.8	146.9	152.0	147.6	149.1	152.2	157.3	154.3	155.8	158.8	163.9
	Pr-Dis	296.3	297.5	299.6	304.6	342.3	343.5	345.6	350.7	390.5	391.7	393.8	398.9	442.4	443.6	445.7	450.8	498.3	499.6	501.7	506.7	558.1	559.3	561.4	566.5
	ODAmps	28.2	28.2	28.1	28.4	32.3	32.3	32.2	32.5	36.9	36.8	36.8	37.1	41.8	41.7	41.7	42.0	47.3	47.2	47.2	47.5	53.7	53.7	53.6	53.9
TotalPower	7,247	7,240	7,225	7,293	8,138	8,131	8,115	8,183	9,132	9,125	9,109	9,177	10,207	10,200	10,185	10,253	11,409	11,402	11,387	11,455	12,819	12,812	12,797	12,865	

IDB: Entering Indoor Dry Bulb Temperature  
 High and low pressures are measured at the liquid and suction service valves.  
 Shaded area reflects ACCA (TVA) conditions  
 kW=Total system power  
 Amps = outdoor unit amps (comp.+fan)

EXPANDED COOLING DATA — DC6TE120\*\*/DAQ1204\* (CONT.)

IDB	AIRFLOW	OUTDOOR AMBIENT TEMPERATURE												ENTERING INDOOR WET BULB TEMPERATURE											
		65°F				75°F				85°F				95°F				105°F				115°F			
		59	63	67	71	59	63	67	71	59	63	67	71	59	63	67	71	59	63	67	71	59	63	67	71
3407	Capacity	117,960	119,612	123,107	128,446	116,912	118,565	122,060	127,399	113,857	115,510	119,005	124,344	108,601	110,253	113,748	119,087	102,177	103,829	107,324	112,663	96,312	97,965	101,460	106,799
	S/T	0.9	0.8	0.7	0.5	1.0	0.8	0.7	0.6	1.0	0.9	0.7	0.6	1.0	0.9	0.7	0.6	1.0	1.0	0.7	0.6	1.0	1.0	0.8	0.7
	Evap dT	26.8	25.0	21.7	18.3	26.7	25.0	21.7	18.2	27.0	25.2	21.9	18.5	26.7	24.9	21.6	18.2	26.5	24.7	21.4	18.0	27.6	25.8	22.5	19.1
	Pr-Suc	120.8	122.3	125.4	130.5	128.1	129.6	132.7	137.8	134.5	136.0	139.0	144.1	139.9	141.4	144.4	149.6	145.2	146.7	149.7	154.9	151.9	153.3	156.4	161.5
	Pr-Dis	292.9	294.2	296.2	301.3	338.9	340.2	342.2	347.3	387.1	388.4	390.4	395.5	439.0	440.3	442.3	447.4	495.0	496.3	498.3	503.4	554.7	556.0	558.0	563.1
	OD-Amps	27.9	27.9	27.8	28.2	32.0	32.0	31.9	32.2	36.6	36.5	36.5	36.8	41.5	41.5	41.4	41.7	47.0	47.0	46.9	47.2	53.4	53.4	53.3	53.7
	TotalPower	7,184	7,177	7,162	7,230	8,075	8,068	8,052	8,121	9,069	9,062	9,046	9,115	10,144	10,137	10,122	10,190	11,346	11,339	11,324	11,392	12,756	12,749	12,734	12,802
	Capacity	119,211	120,863	124,358	129,697	118,163	119,816	123,311	128,650	115,108	116,761	120,256	125,594	109,852	111,504	114,999	120,338	103,428	105,080	108,575	113,914	97,563	99,216	102,711	108,050
	S/T	0.9	0.9	0.7	0.6	1.0	0.9	0.7	0.6	1.0	0.9	0.8	0.6	1.0	0.9	0.8	0.6	1.0	1.0	0.8	0.6	1.0	1.0	0.8	0.7
	Evap dT	25.9	24.2	20.9	17.4	25.9	24.1	20.8	17.4	26.1	24.4	21.1	17.6	25.9	24.1	20.8	17.4	25.6	23.9	20.6	17.1	26.8	25.0	21.7	18.2
80 3785	Pr-Suc	122.2	123.7	126.8	131.9	129.5	131.0	134.1	139.2	135.9	137.4	140.5	145.6	141.3	142.8	145.9	151.0	146.6	148.1	151.2	156.3	153.3	154.8	157.8	162.9
	Pr-Dis	294.9	296.1	298.2	303.3	340.9	342.1	344.2	349.3	389.1	390.3	392.4	397.5	441.0	442.3	444.3	449.4	497.0	498.2	500.3	505.4	556.7	557.9	560.0	565.1
	OD-Amps	28.1	28.1	28.0	28.3	32.2	32.2	32.1	32.4	36.7	36.7	36.6	36.9	41.7	41.6	41.6	41.9	47.2	47.1	47.1	47.4	53.6	53.6	53.5	53.8
	TotalPower	7,220	7,213	7,198	7,266	8,111	8,104	8,089	8,157	9,105	9,098	9,083	9,151	10,181	10,174	10,158	10,226	11,382	11,375	11,360	11,428	12,793	12,786	12,770	12,838
	Capacity	120,659	122,312	125,807	131,146	119,612	121,265	124,760	130,098	116,557	118,209	121,705	127,043	111,301	112,953	116,448	121,787	104,877	106,529	110,024	115,363	99,012	100,665	104,160	109,498
	S/T	1.0	0.9	0.7	0.6	1.0	0.9	0.8	0.6	1.0	0.9	0.8	0.6	1.0	0.9	0.8	0.7	1.0	1.0	0.8	0.7	1.0	1.0	0.9	0.7
	Evap dT	25.2	23.4	20.1	16.7	25.2	23.4	20.1	16.6	25.4	23.6	20.3	16.9	25.1	23.4	20.1	16.6	24.9	23.1	19.8	16.4	26.0	24.2	20.9	17.5
	Pr-Suc	123.8	125.3	128.3	133.4	131.1	132.6	135.6	140.7	137.5	139.0	142.0	147.1	142.9	144.4	147.4	152.5	148.2	149.7	152.7	157.8	154.8	156.3	159.4	164.5
	Pr-Dis	296.8	298.1	300.1	305.2	342.8	344.1	346.1	351.2	391.0	392.3	394.3	399.4	442.9	444.2	446.2	451.3	498.9	500.1	502.2	507.3	558.6	559.9	561.9	567.0
	OD-Amps	28.3	28.2	28.1	28.5	32.3	32.3	32.2	32.5	36.9	36.8	36.8	37.1	41.8	41.8	41.7	42.0	47.3	47.3	47.2	47.5	53.8	53.7	53.7	54.0
TotalPower	7,252	7,245	7,230	7,298	8,142	8,135	8,120	8,188	9,136	9,129	9,114	9,182	10,212	10,205	10,190	10,258	11,414	11,407	11,392	11,460	12,824	12,817	12,802	12,870	
3407	Capacity	119,931	121,584	125,079	130,417	118,884	120,536	124,031	129,370	115,829	117,481	120,976	126,315	110,572	112,225	115,720	121,059	104,148	105,801	109,296	114,635	98,284	99,936	103,431	108,770
	S/T	1.0	0.9	0.8	0.6	1.0	0.9	0.8	0.6	1.0	1.0	0.8	0.7	1.0	1.0	0.8	0.7	1.0	1.0	0.8	0.7	1.0	1.0	0.9	0.8
	Evap dT	30.3	28.5	25.2	21.8	30.2	28.4	25.1	21.7	30.5	28.7	25.4	22.0	30.2	28.4	25.1	21.7	30.0	28.2	24.9	21.4	31.1	29.3	26.0	22.6
	Pr-Suc	122.6	124.1	127.2	132.3	129.9	131.4	134.4	139.6	136.3	137.8	140.8	145.9	141.7	143.2	146.2	151.3	147.0	148.5	151.5	156.7	153.6	155.1	158.2	163.3
	Pr-Dis	294.3	295.5	297.6	302.7	340.3	341.5	343.6	348.7	388.5	389.8	391.8	396.9	440.4	441.7	443.7	448.8	496.4	497.6	499.7	504.8	556.1	557.3	559.4	564.5
	OD-Amps	28.0	28.0	27.9	28.2	32.1	32.1	32.0	32.3	36.6	36.6	36.5	36.9	41.6	41.5	41.5	41.8	47.1	47.0	47.0	47.3	53.5	53.5	53.4	53.7
	TotalPower	7,201	7,194	7,179	7,247	8,092	8,085	8,069	8,138	9,086	9,079	9,063	9,132	10,161	10,154	10,139	10,207	11,363	11,356	11,341	11,409	12,773	12,766	12,751	12,819
	Capacity	121,182	122,834	126,330	131,668	120,135	121,787	125,282	130,621	117,079	118,732	122,227	127,566	111,823	113,476	116,971	122,309	105,399	107,052	110,547	115,886	99,535	101,187	104,682	110,021
	S/T	1.0	1.0	0.8	0.7	1.0	1.0	0.8	0.7	1.0	1.0	0.9	0.7	1.0	1.0	0.9	0.7	1.0	1.0	0.9	0.8	1.0	1.0	1.0	0.8
	Evap dT	29.4	27.7	24.3	20.9	29.4	27.6	24.3	20.9	29.6	27.9	24.5	21.1	29.4	27.6	24.3	20.8	29.1	27.4	24.0	20.6	30.2	28.5	25.2	21.7
85 3785	Pr-Suc	124.0	125.5	128.6	133.7	131.3	132.8	135.9	141.0	137.7	139.2	142.3	147.4	143.1	144.6	147.7	152.8	148.4	149.9	153.0	158.1	155.1	156.6	159.6	164.7
	Pr-Dis	296.2	297.5	299.6	304.6	342.3	343.5	345.6	350.6	390.5	391.7	393.8	398.9	442.4	443.6	445.7	450.8	498.3	499.6	501.6	506.7	558.0	559.3	561.4	566.4
	OD-Amps	28.2	28.2	28.1	28.4	32.3	32.2	32.2	32.5	36.8	36.8	36.7	37.0	41.7	41.7	41.6	41.9	47.2	47.2	47.1	47.4	53.7	53.7	53.6	53.9
	TotalPower	7,237	7,230	7,215	7,283	8,128	8,121	8,106	8,174	9,122	9,115	9,100	9,168	10,198	10,191	10,175	10,244	11,400	11,393	11,377	11,445	12,810	12,803	12,787	12,855
	Capacity	122,631	124,283	127,778	133,117	121,584	123,236	126,731	132,070	118,528	120,181	123,676	129,015	113,272	114,925	118,420	123,758	106,848	108,501	111,996	117,334	100,983	102,636	106,131	111,470
	S/T	1.0	1.0	0.9	0.7	1.0	1.0	0.9	0.7	1.0	1.0	0.9	0.7	1.0	1.0	0.9	0.8	1.0	1.0	0.9	0.8	1.0	1.0	1.0	0.8
	Evap dT	28.7	26.9	23.6	20.2	28.7	26.9	23.6	20.1	28.9	27.1	23.8	20.4	28.6	26.9	23.5	20.1	28.4	26.6	23.3	19.9	29.5	27.7	24.4	21.0
	Pr-Suc	125.6	127.1	130.1	135.2	132.9	134.4	137.4	142.5	139.3	140.8	143.8	148.9	144.7	146.2	149.2	154.3	150.0	151.5	154.5	159.6	156.6	158.1	161.1	166.3
	Pr-Dis	298.2	299.4	301.5	306.6	344.2	345.4	347.5	352.6	392.4	393.6	395.7	400.8	444.3	445.5	447.6	452.7	500.2	501.5	503.6	508.6	560.0	561.2	563.3	568.4
	OD-Amps	28.3	28.3	28.2	28.5	32.4	32.4	32.3	32.6	37.0	36.9	36.9	37.2	41.9	41.8	41.8	42.1	47.4	47.3	47.3	47.6	53.8	53.8	53.7	54.0
TotalPower	7,269	7,262	7,247	7,315	8,159	8,152	8,137	8,205	9,153	9,146	9,131	9,199	10,229	10,222	10,207	10,275	11,431	11,424	11,409	11,477	12,841	12,834	12,819	12,887	

IDB: Entering Indoor Dry Bulb Temperature  
 High and low pressures are measured at the liquid and suction service valves.  
 Shaded area reflects AHRI conditions  
 kW=Total system power  
 Amps = outdoor unit amps (comp.+fan)



# EXPANDED HEATING DATA

## DH6TE090

	OUTDOOR AMBIENT TEMPERATURE																
	65	60	55	50	47	45	40	35	30	25	20	17	15	10	5	0	-5
MBh	108.99	102.28	95.68	89.18	85.00	81.97	74.30	67.10	61.19	56.86	53.70	52.00	49.80	44.30	38.80	33.30	27.80
T/R	34.66	32.84	31.02	29.20	28.11	27.12	24.57	22.19	20.24	18.80	17.76	17.20	16.47	14.65	12.83	11.01	9.19
KW	7.66	7.57	7.47	7.38	7.33	7.29	7.20	7.11	7.01	6.92	6.83	6.77	6.74	6.64	6.55	6.46	6.37
AMPS	29.5	29.1	28.7	28.3	28.0	27.8	27.4	27.0	26.6	26.2	25.8	25.6	25.4	25.0	24.6	24.2	23.8
COP	4.17	3.96	3.75	3.54	3.40	3.30	3.03	2.77	2.56	2.41	2.30	2.25	2.17	1.95	1.74	1.51	1.28
Hi PR	387	375	362	350	342	337	324	312	299	287	274	266	261	249	236	224	211
LO PR	128	120	112	104	99	96	88	80	72	64	56	51	48	40	32	24	16
LO PR	127	118	111	101	96	92	85	76	68	61	54	50	48	41	35	30	26

Calculations are based on nominal CFM and 70 °F indoor dry bulb.

Note: Shaded area is AHRI Rating Conditions at 47°F outdoor ambient temperature

Amps = Outdoor unit amps (comp.+fan)

kW = Total system power

## DH6TE120

	OUTDOOR AMBIENT TEMPERATURE																
	65	60	55	50	47	45	40	35	30	25	20	17	15	10	5	0	-5
MBh	123.97	116.42	109.00	101.71	97.00	93.59	85.03	76.93	70.29	65.43	61.90	60.00	57.53	51.37	45.20	39.03	32.87
T/R	29.16	27.65	26.14	24.64	23.73	22.91	20.80	18.82	17.20	16.01	15.14	14.68	14.07	12.57	11.06	9.55	8.04
KW	8.69	8.60	8.51	8.42	8.36	8.33	8.23	8.14	8.05	7.96	7.87	7.82	7.78	7.69	7.60	7.51	7.42
AMPS	30.6	30.2	29.8	29.4	29.2	29.0	28.6	28.2	27.8	27.4	27.0	26.8	26.7	26.3	25.9	25.5	25.1
COP	4.18	3.97	3.76	3.54	3.40	3.29	3.03	2.77	2.56	2.41	2.31	2.25	2.17	1.96	1.74	1.52	1.30
Hi PR	373	360	348	336	329	324	312	300	288	276	263	256	251	239	227	215	203
LO PR	120	112	105	97	93	90	82	75	68	60	53	48	45	38	30	23	15
LO PR	127	118	111	101	96	92	85	76	68	61	54	50	48	41	35	30	26

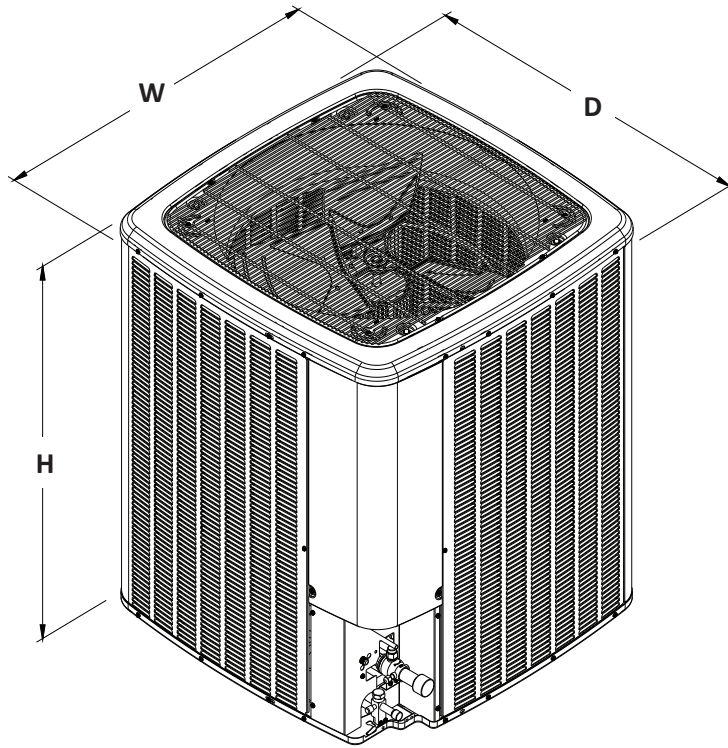
Calculations are based on nominal CFM and 70 °F indoor dry bulb.

Note: Shaded area is AHRI Rating Conditions at 47°F outdoor ambient temperature

Amps = Outdoor unit amps (comp.+fan)

kW = Total system power





MODEL	DIMENSIONS		
	W"	D"	H"
DH6TE09030A*	35½"	35½"	41½"
DH6TE09040A*	35½"	35½"	41½"
DH6TE12030A*	35½"	35½"	41½"
DH6TE12040A*	35½"	35½"	41½"

**POWER AND CONTROLS WIRING DIAGRAM  
DH6TE 090-120, 3PH**

**NOTES**  
1. REPLACEMENT WIRE MUST BE SAME SIZE AND TYPE OF INSULATION AS ORIGINAL (AT LEAST 105° C). USE COPPER CONDUCTORS ONLY. USE N.E.C. CLASS 2 WIRE FOR ALL LOW VOLTAGE FIELD CONNECTIONS.  
2. TO INDOOR UNITS LOW VOLTAGE TERMINAL BLOCK AND THERMOSTAT. W1 WIRE IS USED TO COMMAND THE INDOOR UNIT'S AUXILIARY HEAT (IF INSTALLED)

**COMPONENT LEGEND**

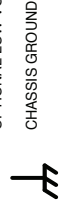
- CC COMPRESSOR CONTACTOR
- CCH CRANKCASE HEATER
- CCX COMPRESSOR CONTACTOR AUXILIARY
- CM CONDENSER MOTOR
- COMP COMPRESSOR
- DFCB DEFROST CONTROL BOARD
- DFT DEFROST TEMPERATURE SWITCH
- DR DEFROST RELAY
- GND EQUIPMENT GROUND
- HPS HIGH PRESSURE SWITCH
- LPS LOW PRESSURE SWITCH
- LVJB LOW VOLTAGE JUNCTION BOX
- PLF FEMALE PLUG / CONNECTOR
- PLM MALE PLUG / CONNECTOR
- RV REVERSING VALVE

**WIRE CODE**

- BK BLACK
- BL BLUE
- BL/PK BLUE WITH PINK STRIPE
- BR BROWN
- GR GREEN
- GY GRAY
- OR ORANGE
- PK PINK
- PU PURPLE
- RD RED
- WH WHITE
- YL YELLOW
- YL/PK YELLOW WITH PINK STRIPE

**FACTORY WIRING**

- HIGH VOLTAGE
- - - LOW VOLTAGE
- · - · - OPTIONAL HIGH VOLTAGE
- · - · - OPTIONAL LOW VOLTAGE

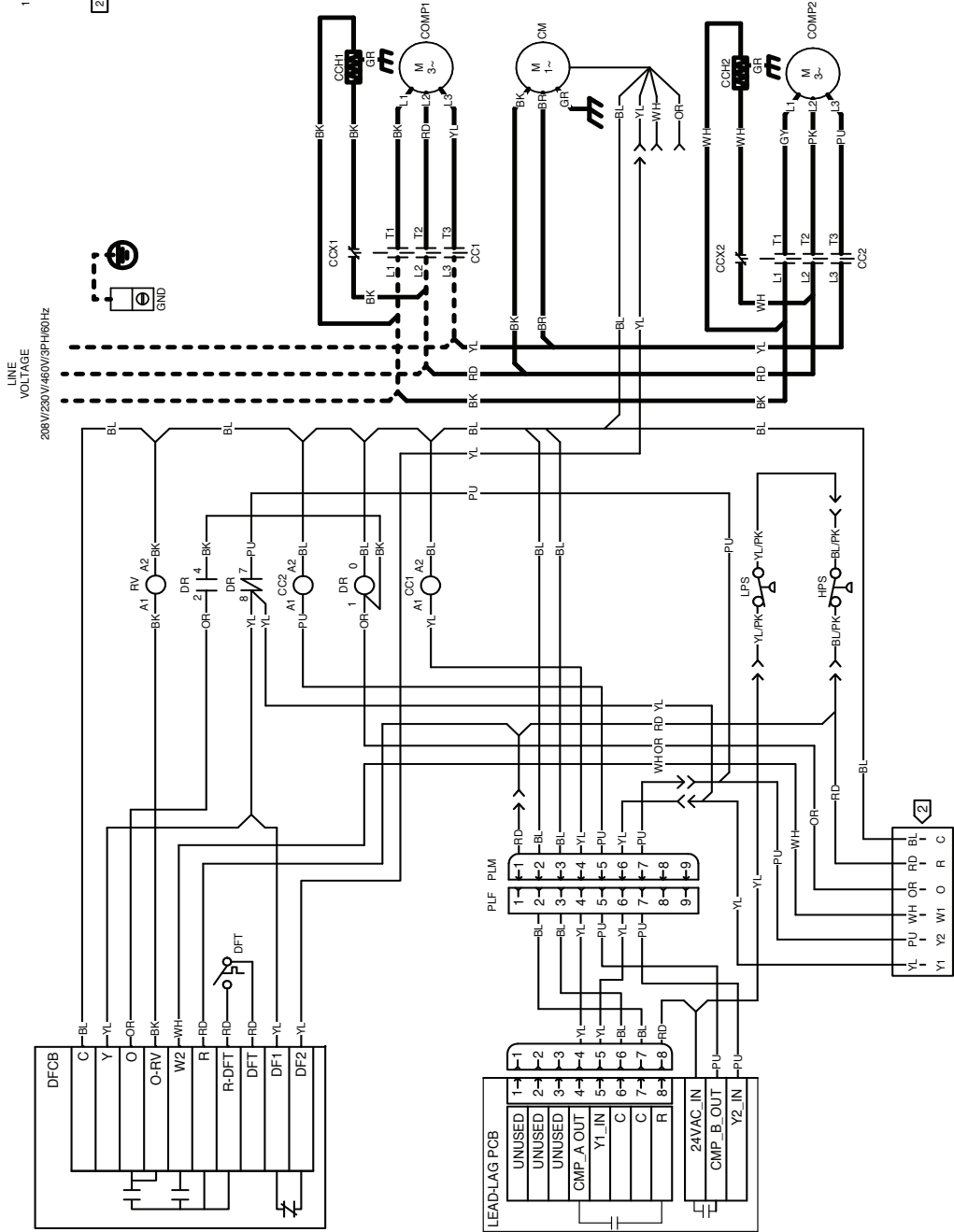


**FIELD WIRING**

- HIGH VOLTAGE
- - - LOW VOLTAGE



0140R01455-A



**WARNING**

⚡

**High Voltage:** Disconnect all power before servicing or installing this unit. Multiple power sources may be present. Failure to do so may cause property damage, personal injury, or death.

Wiring is subject to change. Always refer to the wiring diagram on the unit for the most up-to-date wiring.

ITEM #	DESCRIPTION	DH6TE 09030A*	DH6TE 09040A*	DH6TE 12030A*	DH6TE 12040A*
ABK-20	Anchor Bracket Kit	X	X	X	X
LSK01A	Solenoid Kit	X	X	X	X
LAKT01HP	Low Ambient Kit	X	X	X	X
OT18-60-02A	Outdoor Thermostat	X	X	X	X
0130L20000	Crankcase Heater	X		X	
0130L20001	Crankcase Heater	X		X	
0130L20002	Crankcase Heater		X		X
0130L20003	Crankcase Heater		X		X

<sup>0</sup> Contains 20 brackets; four brackets needed to anchor unit to pad

<sup>1</sup> Installed on indoor coil

<sup>2</sup> Required for heat pump applications where ambient temperatures fall below 0 °F with 50% or higher relative humidity.

