

PROJECT: _____	UNIT TAG: _____	QUANTITY: _____
REPRESENTATIVE: _____	TYPE OF SERVICE: _____	DATE: _____
ENGINEER: _____	SUBMITTED BY: _____	DATE: _____
CONTRACTOR: _____	APPROVED BY: _____	DATE: _____
	ORDER NO.: _____	DATE: _____

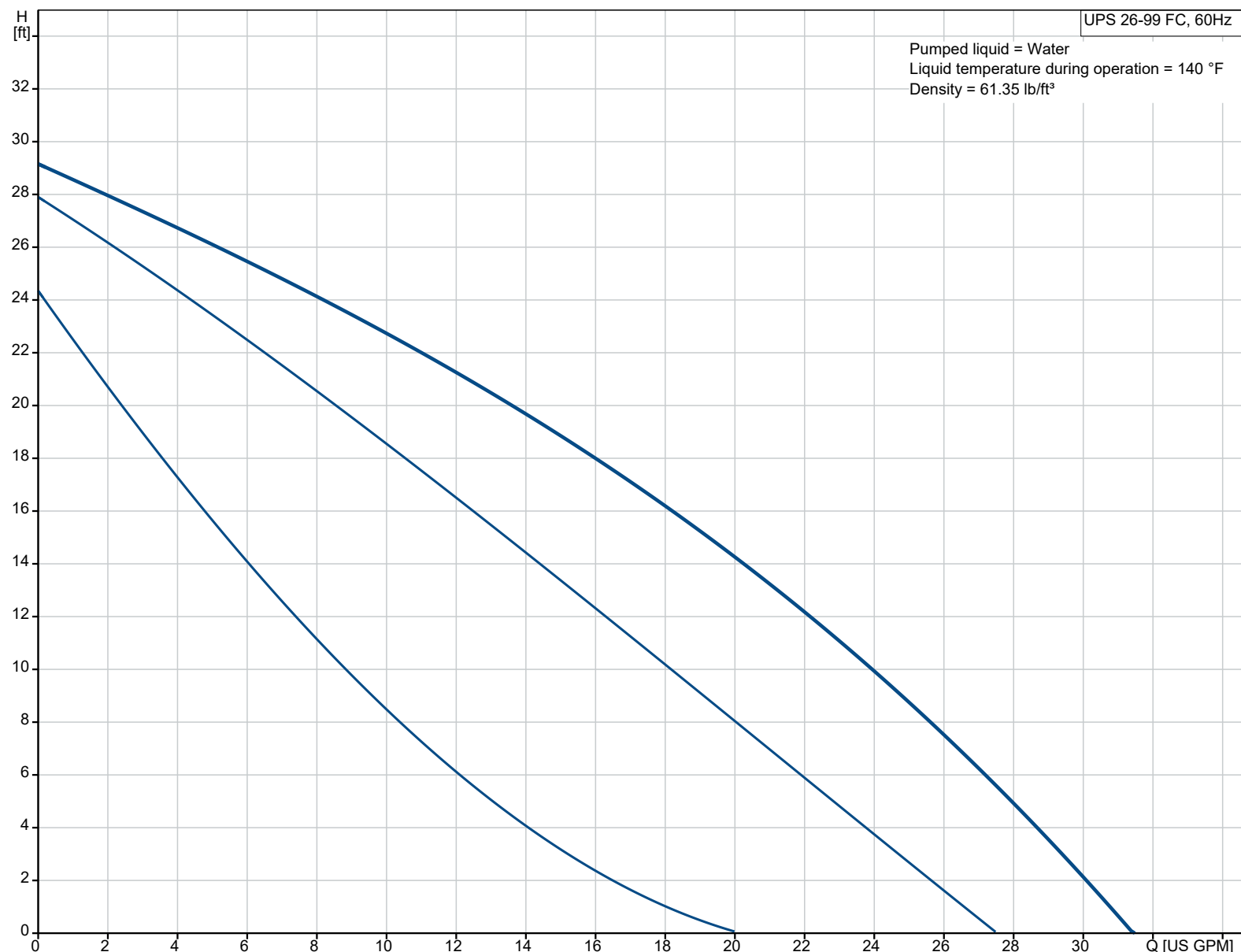


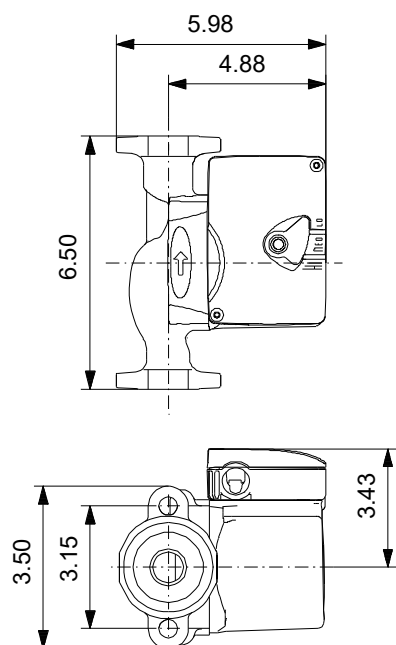
UPS 26-99 FC

UPS is a three-speed circulator pump designed for heating and air-conditioning systems and is also used for central and district heating systems. The pump provides reliable and maintenance-free operation.

Note! Product picture may differ from actual product

Conditions of Service		Pump Data		Motor Data	
Liquid:	Water	Liquid temperature range:	35.6 .. 230 °F	Max. power input:	197 W
Temperature:	140 °F	Maximum ambient temperature:	104 °F	Mains frequency:	60 Hz
Specific Gravity:	0.985	Pipe connection:	2-BOLT FLANGE	Thermal protection:	internal
		Product number:	52722512		





Materials:

Pump housing: Cast iron
Pump housing: ASTM A48-30B
Impeller: Composite

Qty. | Description

1 **UPS 26-99 FC**



Note! Product picture may differ from actual product

Product No.: [52722512](#)

The pump is of the canned rotor type, i.e. pump and motor form an integral unit without shaft seal and with only two gaskets for sealing.

The bearings are lubricated by the pumped liquid.

The pump has 3-step speed selector.

The pump is characterized by:

- * Ceramic shaft and radial bearings.
- * Carbon axial bearing.
- * Stainless steel rotor can and bearing plate.
- * Corrosion-resistant impeller, Composite.
- * Cast iron pump housing.

The motor is a 1-phase motor.

No additional motor protection is required.

Liquid:

Pumped liquid: Water
Liquid temperature range: 35.6 .. 230 °F
Selected liquid temperature: 140 °F
Density: 61.35 lb/ft³

Technical:

Rated flow: 17.7 US GPM
Rated head: 16.46 ft
Approvals: CUL

Materials:

Pump housing: Cast iron
EN 1561 EN-GJL-200
ASTM A48-30B
Impeller: Composite
PES+30% GF

Installation:

Range of ambient temperature: 35.6 .. 104 °F
Amb. max at 80 dgr C liquid: 176 °F
Maximum operating pressure: 145.04 psi
Type of connection: OVAL
Pipe connection: 2-BOLT FLANGE
Pressure rating for connection: PN 10
Port-to-port length: 6 1/2 in

Electrical data:

Power input in speed 1: 0.2012 HP
Power input in speed 2: 179 W
Max. power input: 197 W
Mains frequency: 60 Hz
Rated voltage: 1 x 115 V
Current in speed 1: 1.3 A
Current in speed 2: 1.5 A
Current in speed 3: 1.8 A
Capacitor size - run: 20 µF/180 V



Company name:

Created by:

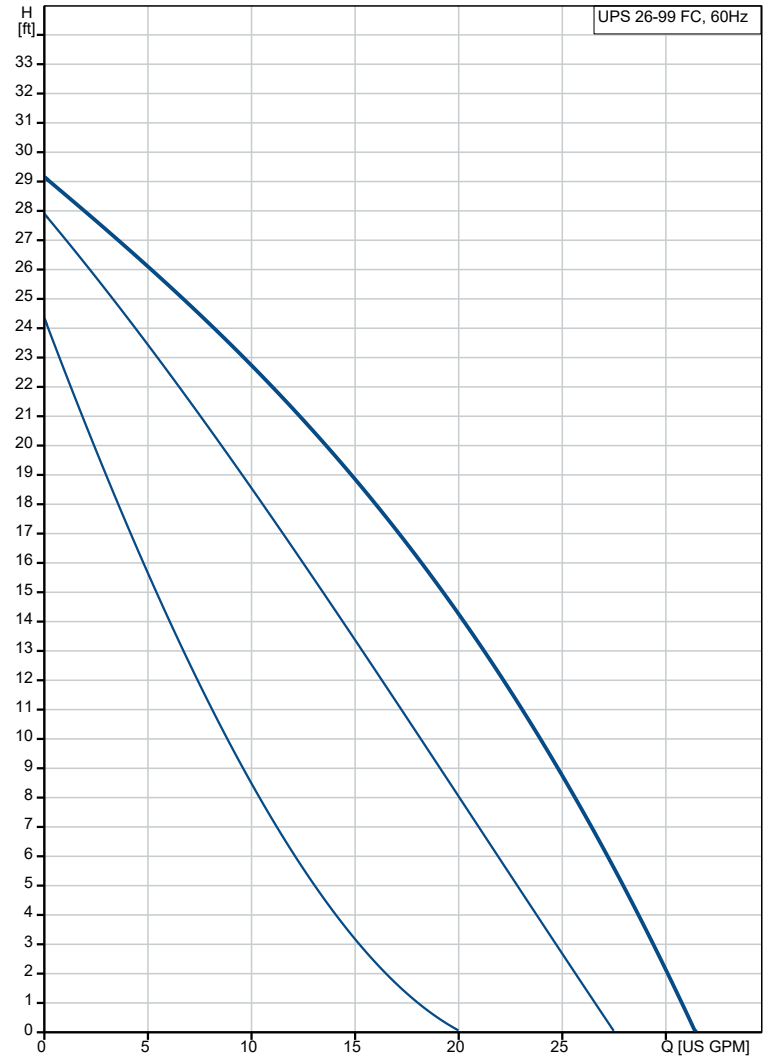
Phone:

Date:

14/11/2023

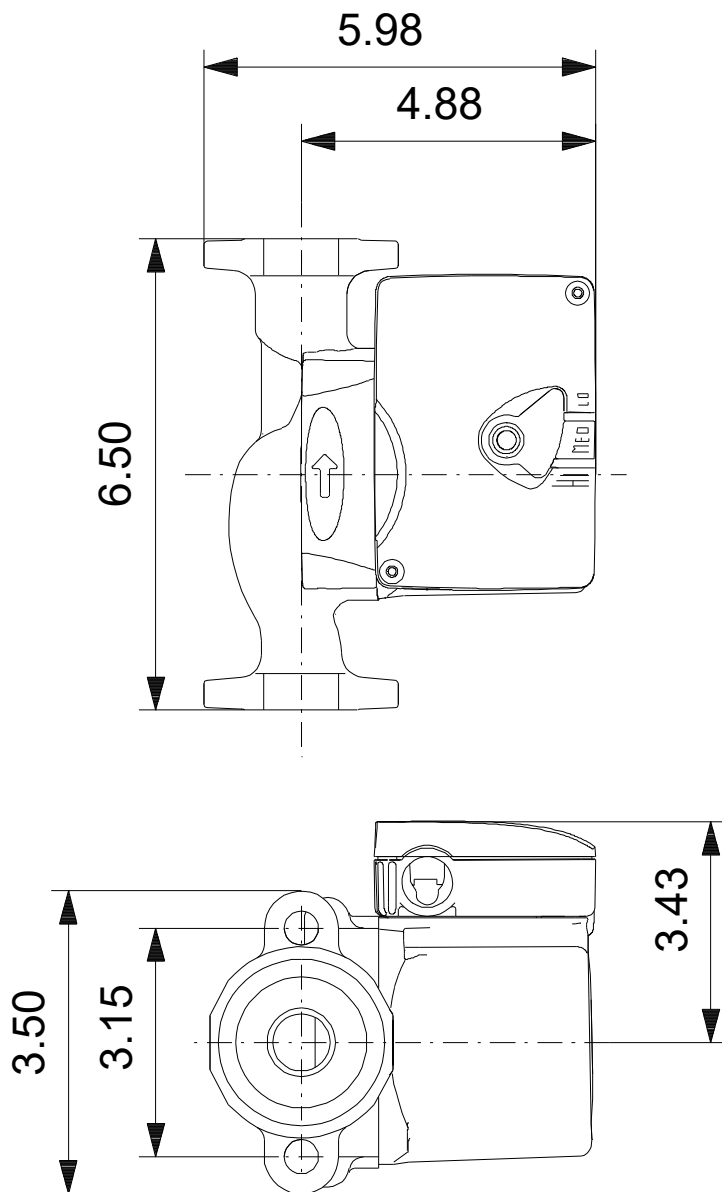
Qty.	Description																		
1	<table><tr><td data-bbox="79 224 446 257">Number of poles:</td><td data-bbox="446 224 1576 257">2</td></tr><tr><td data-bbox="79 257 446 291">Insulation class (IEC 85):</td><td data-bbox="446 257 1576 291">F</td></tr><tr><td data-bbox="79 291 446 324">Built-in motor protection:</td><td data-bbox="446 291 1576 324">CONTACT</td></tr><tr><td colspan="2" data-bbox="79 347 1576 380">Others:</td></tr><tr><td data-bbox="79 380 446 414">Terminal box position:</td><td data-bbox="446 380 1576 414">9H</td></tr><tr><td data-bbox="79 414 446 448">Net weight:</td><td data-bbox="446 414 1576 448">9.48 lb</td></tr><tr><td data-bbox="79 448 446 481">Gross weight:</td><td data-bbox="446 448 1576 481">10.2 lb</td></tr><tr><td data-bbox="79 481 446 515">Country of origin:</td><td data-bbox="446 481 1576 515">US</td></tr><tr><td data-bbox="79 515 446 537">Custom tariff no.:</td><td data-bbox="446 515 1576 537">8413.70.2005</td></tr></table>	Number of poles:	2	Insulation class (IEC 85):	F	Built-in motor protection:	CONTACT	Others:		Terminal box position:	9H	Net weight:	9.48 lb	Gross weight:	10.2 lb	Country of origin:	US	Custom tariff no.:	8413.70.2005
Number of poles:	2																		
Insulation class (IEC 85):	F																		
Built-in motor protection:	CONTACT																		
Others:																			
Terminal box position:	9H																		
Net weight:	9.48 lb																		
Gross weight:	10.2 lb																		
Country of origin:	US																		
Custom tariff no.:	8413.70.2005																		

Description	Value
General information:	
Product name:	UPS 26-99 FC
Product No:	52722512
EAN number:	5700834818707
Technical:	
Speed no:	3
Rated flow:	17.7 US GPM
Max flow:	33 US GPM
Rated head:	16.46 ft
Maximum head:	28.87 ft
Approvals:	CUL
Y = pump with built-in isolating and non-return valves:	pump with built-in isolating and non-return valves
Materials:	
Pump housing:	Cast iron
Pump housing:	EN 1561 EN-GJL-200
Pump housing:	ASTM A48-30B
Impeller:	Composite
Impeller:	PES+30% GF
Installation:	
Range of ambient temperature:	35.6 .. 104 °F
Amb. max at 80 dgr C liquid:	176 °F
Maximum operating pressure:	145.04 psi
Type of connection:	OVAL
Pipe connection:	2-BOLT FLANGE
Pressure rating for connection:	PN 10
Port-to-port length:	6 1/2 in
Liquid:	
Pumped liquid:	Water
Liquid temperature range:	35.6 .. 230 °F
Selected liquid temperature:	140 °F
Density:	61.35 lb/ft ³
Electrical data:	
Power input in speed 1:	0.2012 HP
Power input in speed 2:	179 W
Max. power input:	197 W
Mains frequency:	60 Hz
Rated voltage:	1 x 115 V
Current in speed 1:	1.3 A
Current in speed 2:	1.5 A
Current in speed 3:	1.8 A
Capacitor size - run:	20 µF/180 V
Number of poles:	2
Insulation class (IEC 85):	F
Built-in motor protection:	CONTACT
Thermal protec:	internal
Others:	
Terminal box position:	9H
Net weight:	9.48 lb
Gross weight:	10.2 lb
Country of origin:	US
Custom tariff no.:	8413.70.2005



Pumped liquid = Water
 Liquid temperature during operation = 140 °F
 Density = 61.35 lb/ft³

52722512 UPS 26-99 FC 60 Hz



52722512 UPS 26-99 FC 60 Hz

