

| | | |
|-----------------------|------------------------|-----------------|
| PROJECT: _____ | UNIT TAG: _____ | QUANTITY: _____ |
| REPRESENTATIVE: _____ | TYPE OF SERVICE: _____ | DATE: _____ |
| ENGINEER: _____ | SUBMITTED BY: _____ | DATE: _____ |
| CONTRACTOR: _____ | APPROVED BY: _____ | DATE: _____ |
| | ORDER NO.: _____ | DATE: _____ |

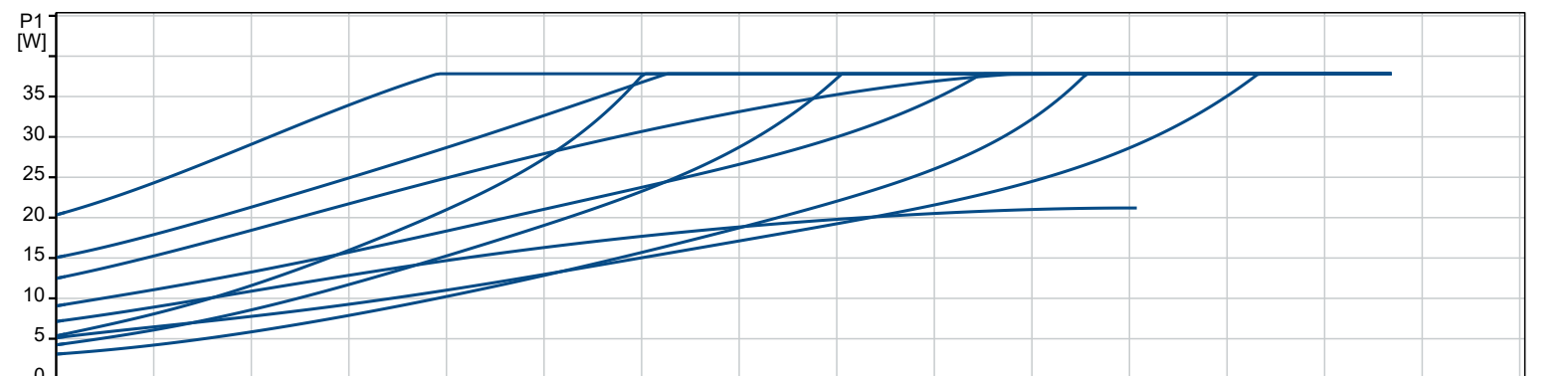
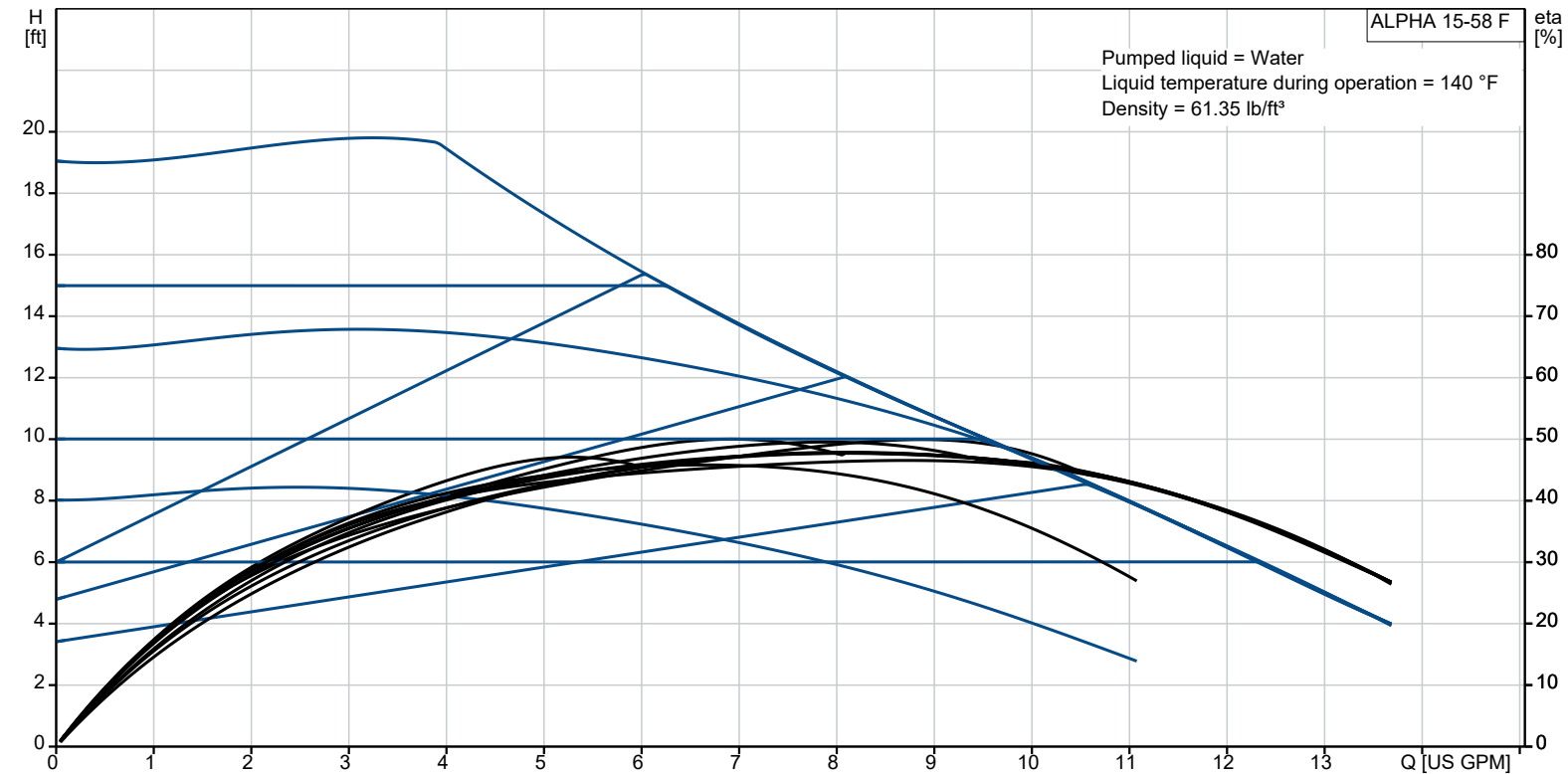


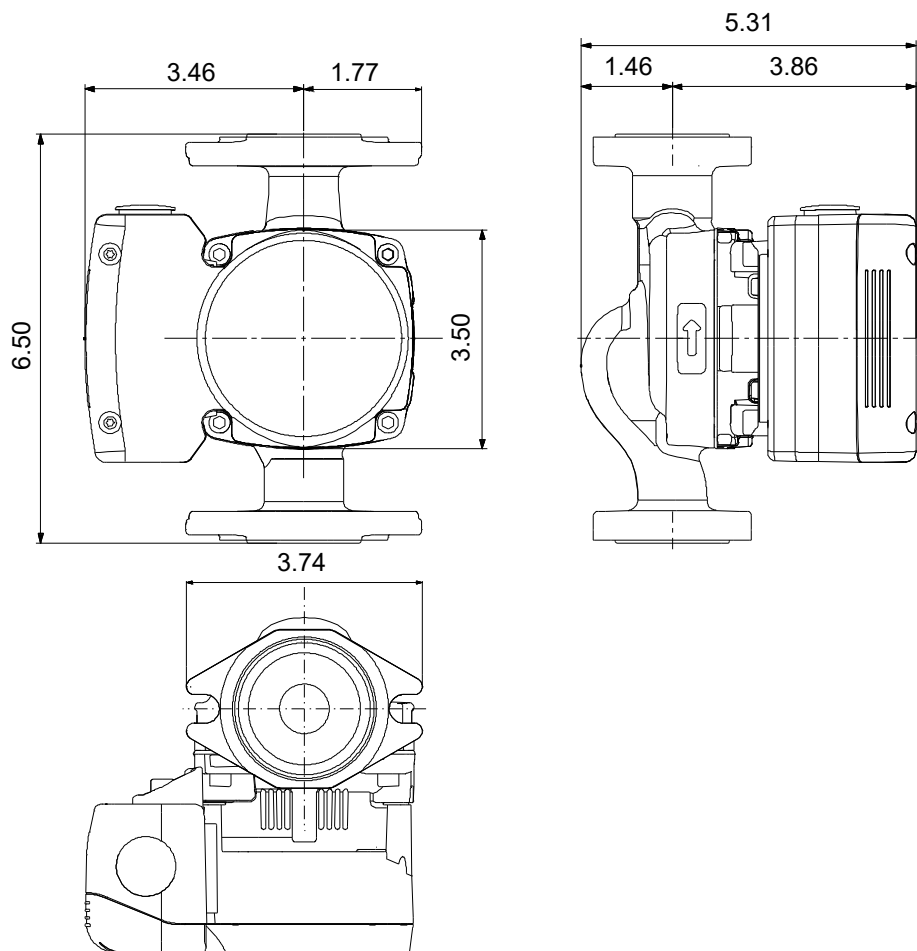
ALPHA 15-58 F

ALPHA is a high-efficiency circulator designed for heating systems. It offers faster installation, smarter setup and troubleshooting, higher energy savings and fewer call-backs compared to other pumps.

Note! Product picture may differ from actual product

| Conditions of Service | | Pump Data | | Motor Data | |
|-----------------------|--------|------------------------------|----------------|------------------|-------|
| Liquid: | Water | Maximum operating pressure: | 175.0 PSI | Mains frequency: | 60 Hz |
| Temperature: | 140 °F | Liquid temperature range: | 35.6 .. 230 °F | | |
| Specific Gravity: | 0.985 | Maximum ambient temperature: | 131 °F | | |
| | | Pipe connection: | GF 15/26 | | |
| | | Product number: | 92603115 | | |





Materials:

- Pump housing: Cast iron
- Pump housing: ASTM A48-25A
- Impeller: Composite