



Submittal Data Sheet  
 2.0-Ton Mini-Split with Heat Pump  
 FTX24BXVJURX24BXVJU

<b>MODEL</b>	<b>INDOOR UNIT</b>		<b>FTX24BXVJU</b>	
	<b>OUTDOOR UNIT</b>		<b>RX24BXVJU</b>	
			<b>Cooling</b>	<b>Heating</b>
<b>Rated Capacity (Min. ~ Max.)</b>	<b>kW</b>	6.21 (2.05 - 7.03)		6.92 (1.82 - 8.10)
	<b>Btu/h</b>	21200 (7000 - 24000)		23600 (6200 - 27600)
<b>Moisture Removal</b>	<b>gal/h</b>	0.63		
<b>Rated Running Current</b>	<b>A</b>	7.56	8.72	
<b>Rated Power Consumption</b>	<b>W</b>	1738	2005	
<b>EER2</b>	<b>Btu/h/W</b>	12.2	N/A	
<b>SEER2</b>		20.0	N/A	
<b>COP</b>	<b>W/W</b>	N/A	3.45	
<b>HSPF2</b>		N/A	9.0	
<b>Power Factor (Rated)</b>		N/A		
<b>Piping Connections</b>	<b>Liquid</b>	<b>inch (mm)</b>	1/4" (6.35)	
	<b>Gas</b>	<b>inch (mm)</b>	5/8" (15.88)	
<b>Refrigerant</b>	<b>Type</b>	R410A		
	<b>Charge</b>	<b>lbs (kg)</b>	3.86 (1.75)	
<b>Max. Interunit Piping Length</b>	<b>ft (m)</b>	98-1/2 (30)		
<b>Max. Interunit Height Difference</b>	<b>ft (m)</b>	65-5/8 (20)		
<b>Chargeless</b>	<b>ft (m)</b>	32-13/16 (10)		
<b>Amount of Additional Charge of Refrigerant</b>	<b>oz/ft (g/m)</b>	0.21 (20)		
<b>INDOOR UNIT</b>		<b>FTX24BXVJU</b>		
<b>Front Panel Colour</b>		WHITE		
<b>Airflow Rate</b>	<b>Turbo</b>	<b>CFM</b>	754	
	<b>High</b>	<b>CFM</b>	716	
	<b>Medium</b>	<b>CFM</b>	605	
	<b>Low</b>	<b>CFM</b>	467	
	<b>Quiet</b>	<b>CFM</b>	395	
<b>Sound Pressure Level (H/M/L/Q)</b>		<b>dBA</b>	53/45/39/34	53/43/38/34
<b>Fan</b>	<b>Type</b>	CROSS FLOW		
	<b>Drive</b>	DIRECT		
	<b>Speed</b>	3 STEPS, QUIET, AUTO, TURBO		
<b>Fan Motor</b>	<b>Type</b>	DIRECT CURRENT		
	<b>Motor Output</b>	<b>W</b>	39	
	<b>Running Current (Rated)</b>	<b>A</b>	0.17	

Daikin Comfort Technologies North America, Inc 19001 Kermier Rd Waller TX 77484  
 Daikin City Generated Submittal Data [www.daikincomfort.com](http://www.daikincomfort.com) or [www.daikinac.com](http://www.daikinac.com)

(Daikin's products are subject to continuous improvements. Daikin reserves the right to modify product design, specifications, and information in this data sheet without notice and without incurring any obligations)



Submittal Data Sheet  
 2.0-Ton Mini-Split with Heat Pump  
 FTX24BXVJURX24BXVJU

	<b>Power Consumption (Rated)</b>	<b>W</b>	54	
<b>Air Direction Control</b>			UP, DOWN, LEFT, RIGHT	
<b>Air Filter</b>			CATECHIN	
<b>Dimensions (H x W x D)</b>		<b>inch (mm)</b>	11-11/16 x 39-1/2 x 11-1/3 (297 x 1005 x 288)	
<b>Weight</b>		<b>lbs (kg)</b>	31 (14.0)	
<b>Condensate Drain Size</b>		<b>inch (mm)</b>	5/8 (16)	
<b>OUTDOOR UNIT</b>			<b>RX24BXVJU</b>	
<b>Casing Colour</b>			IVORY WHITE	
<b>Airflow Rate</b>	<b>High</b>	<b>CFM</b>	1879	1833
<b>Sound Pressure Level</b>		<b>dBA</b>	55	
<b>Fan</b>	<b>Type</b>		PROPELLER	
	<b>Drive</b>		DIRECT	
<b>Fan Motor</b>	<b>Type</b>		DIRECT CURRENT	
	<b>Index of protection (IP)</b>		23	
	<b>Insulation Grade</b>		E	
	<b>Running Current (Rated)</b>	<b>A</b>	1.30	
	<b>Power Consumption (Rated)</b>	<b>W</b>	88	
	<b>Motor Output</b>	<b>W</b>	55	
	<b>Poles</b>		8	
<b>Compressor</b>	<b>Type</b>		HERMETIC SWING	
	<b>Model</b>		2Y147AKCX2A	
	<b>Oil type</b>		DAPHNE FVC50K	
	<b>Oil amount</b>	<b>oz (cm3)</b>	21.5 (650)	
<b>Heat Exchanger Type</b>			FIN TUBE	
<b>Dimensions (H x W x D)</b>		<b>inch (mm)</b>	27-13/32 x 36-5/8 x 13-13/16 (696 x 930 x 351)	
<b>Weight</b>		<b>lbs (kg)</b>	104 (47)	
<b>COOLING</b>			<b>HEATING</b>	
INDOOR: 80°FDB (26.7°CDB) / 67°FWB (19.4°CWB)			INDOOR: 70°FDB (21.1°CDB)	
OUTDOOR: 95°FDB (35°CDB)			OUTDOOR: 47°FDB (8.3°CDB) / 43°FWB (6.1°CWB)	

Daikin Comfort Technologies North America, Inc 19001 Kermier Rd Waller TX 77484  
 Daikin City Generated Submittal Data [www.daikincomfort.com](http://www.daikincomfort.com) or [www.daikinac.com](http://www.daikinac.com)

(Daikin's products are subject to continuous improvements. Daikin reserves the right to modify product design, specifications, and information in this data sheet without notice and without incurring any obligations)

# Wall Mounted Cooling Only & Heatpump

18

24



*FTK18BXVJU*  
*FTX18BXVJU*

*FTK24BXVJU*  
*FTX24BXVJU*



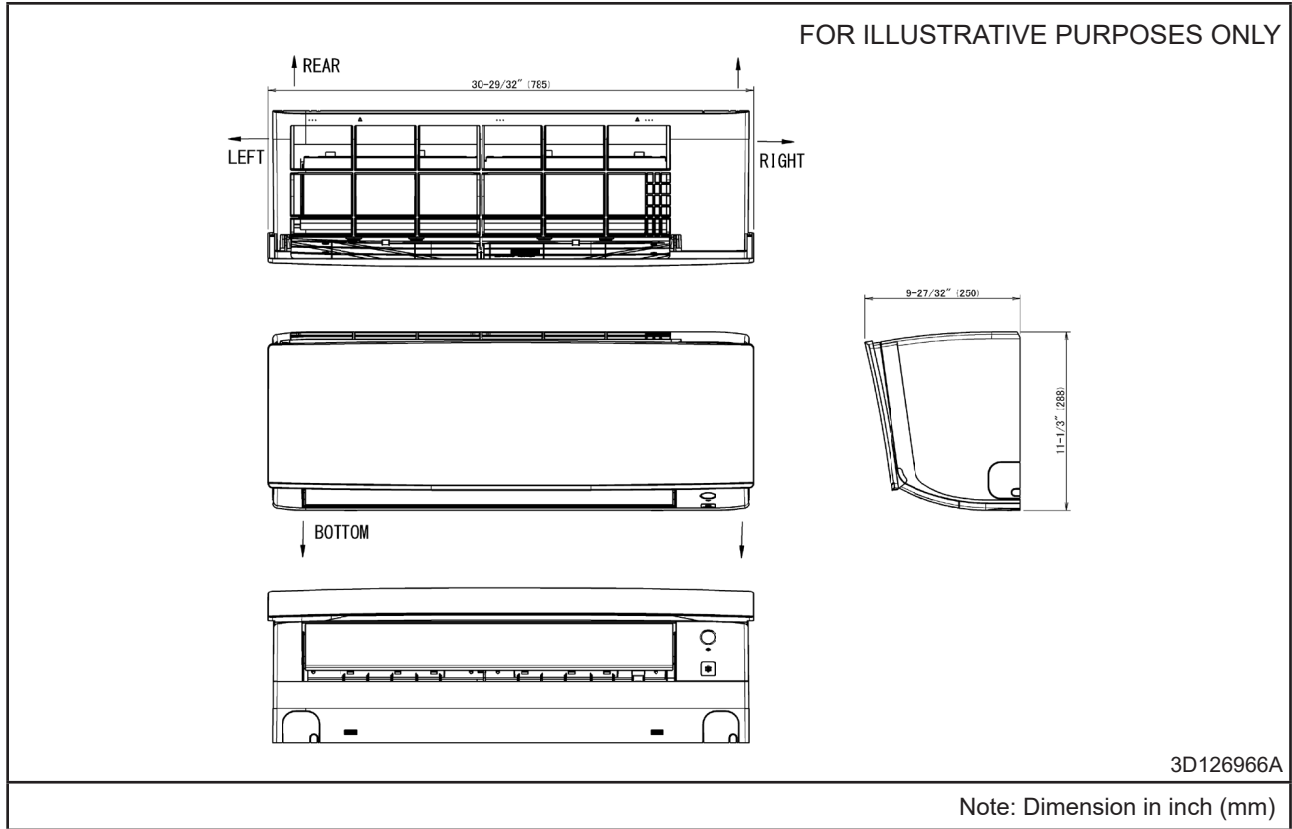
*RK18BXVJU*  
*RX18BXVJU*

*RK24BXVJU*  
*RX24BXVJU*

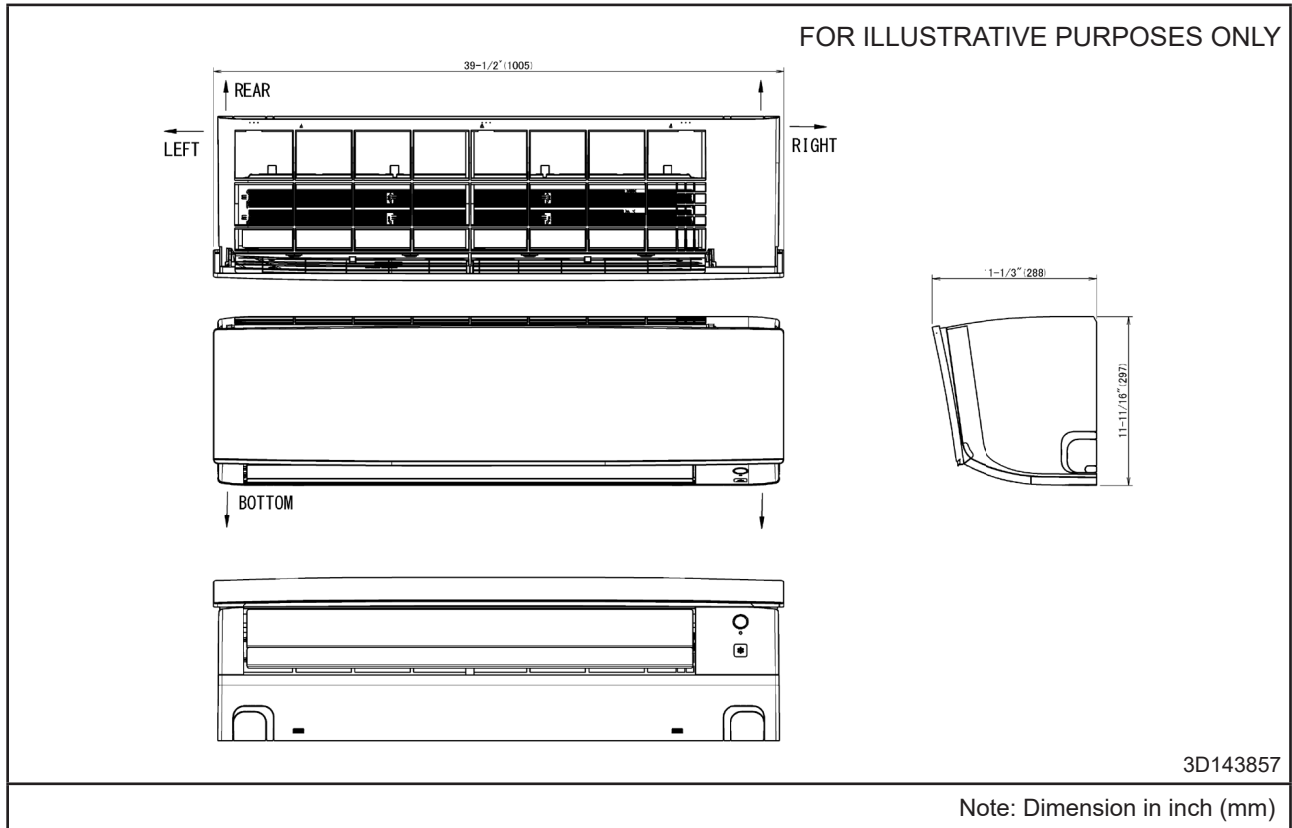
# Dimensions

## Indoor Unit

Model : FTK09/12B, FTX09/12B

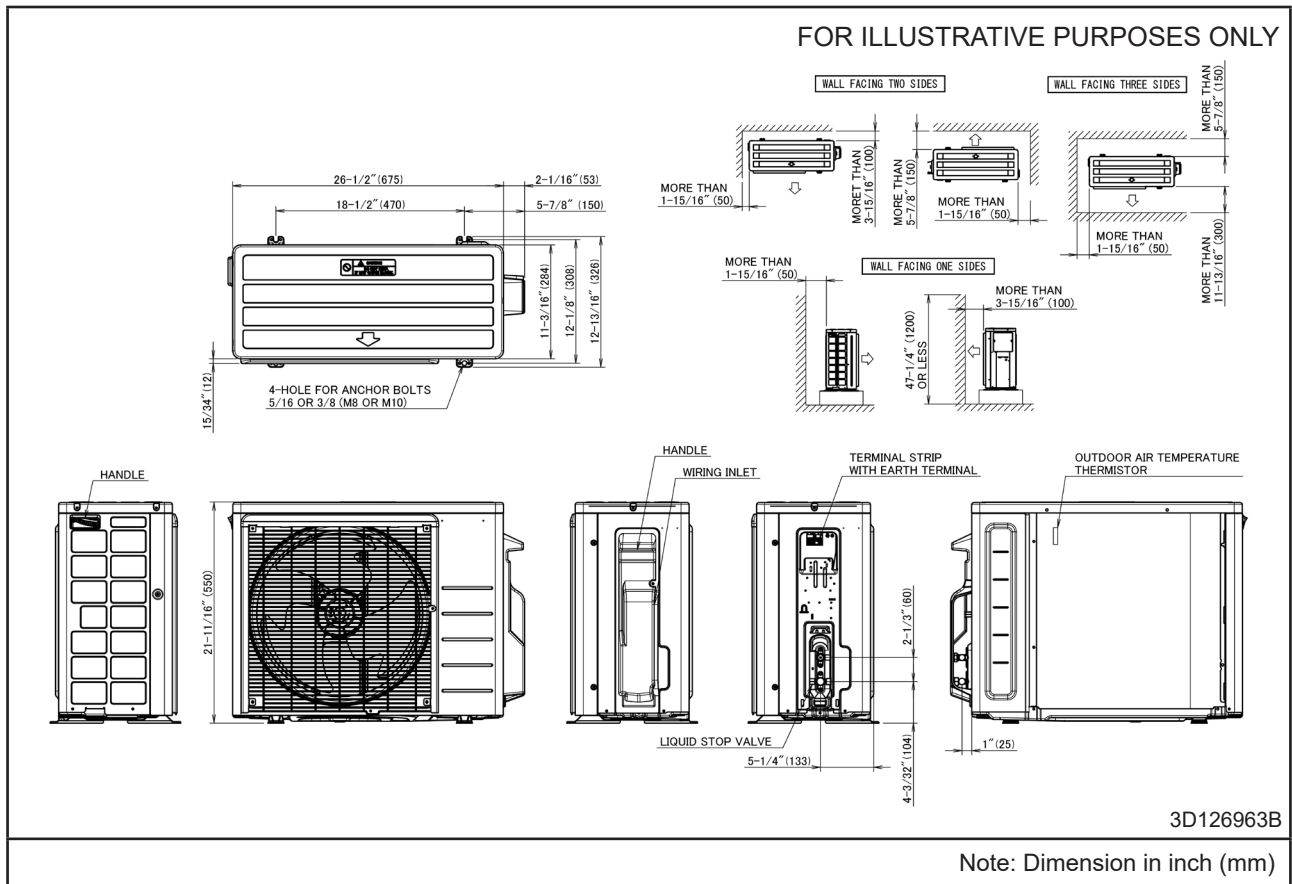


Model : FTK18/24B, FTX18/24B

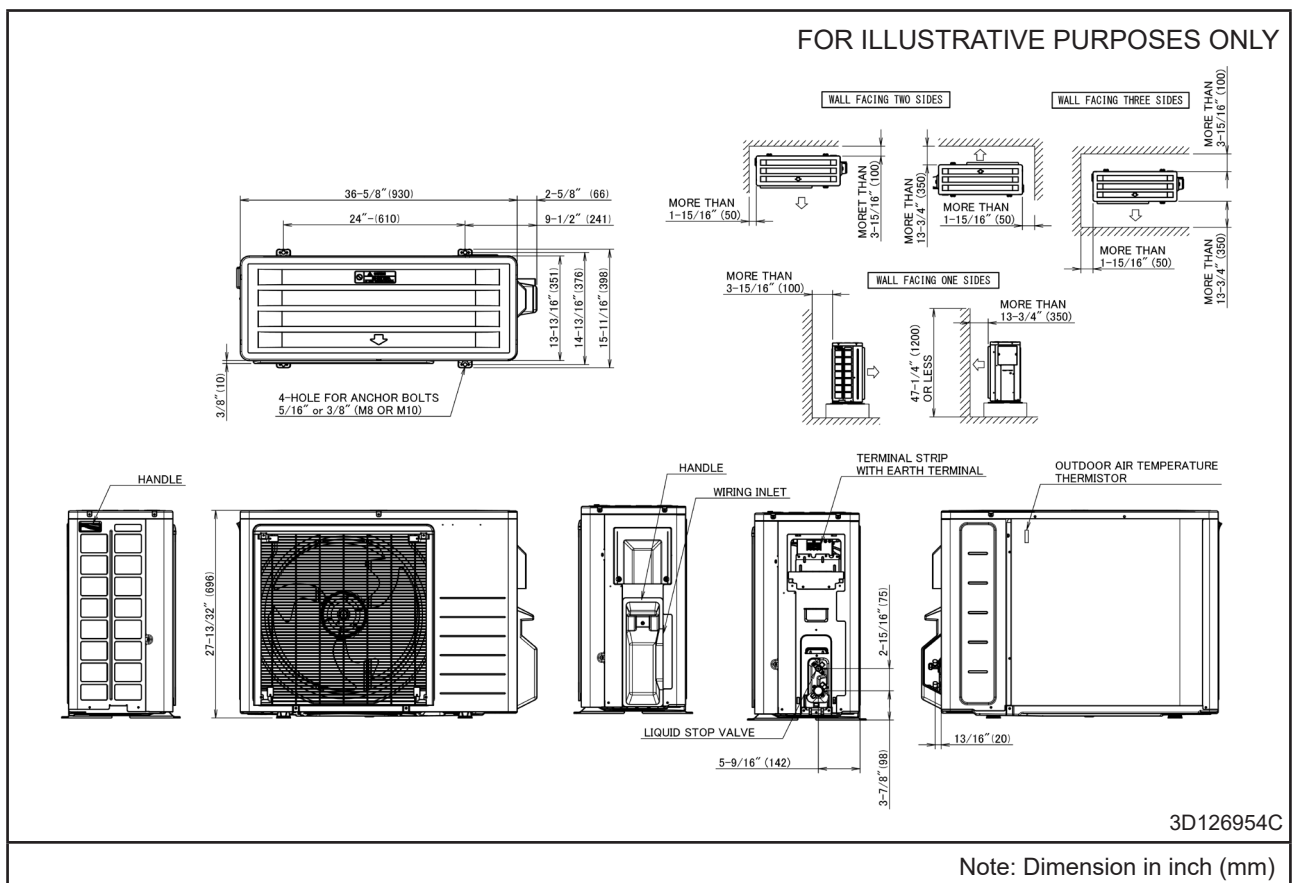


Outdoor Unit

Model : RK09/12B, RX09/12B



Model : RK18/24B, RX18/24B



# Electric Characteristic

Unit Combination		Power Supply				COMP		OFM		IFM	
Indoor Unit	Outdoor Unit	Hz-Volts	Voltage Range	MCA	MOP	RHz	A	kW	MOC	kW	MOC
FTXB09B	RXB09B	60Hz-208V	MAX. 60Hz 253V MIN. 60Hz 187V	12.35	15	88	4.34	0.026	0.60	0.022	0.35
		60Hz-230V									
FTXB12B	RXB12B	60Hz-208V	MAX. 60Hz 253V MIN. 60Hz 187V	12.40	15	96	5.57	0.026	0.61	0.022	0.40
		60Hz-230V									
FTXB18B	RXB18B	60Hz-208V	MAX. 60Hz 253V MIN. 60Hz 187V	16.55	20	90	8.17	0.055	1.30	0.039	0.55
		60Hz-230V									
FTXB24B	RXB24B	60Hz-208V	MAX. 60Hz 253V MIN. 60Hz 187V	16.55	20	104	10.67	0.055	1.30	0.039	0.55
		60Hz-230V									

**Symbols:**

- MCA : Minimum Circuit Amps (A)
- MOP : Maximum Overcurrent Protection (A)
- COMP : Compressor
- RHz : Rated Operating Frequency (Hz)
- A : Compressor Input Current (A)
- OFM : Outdoor Fan Motor
- IFM : Indoor Fan Motor
- kW : Fan Motor Rated Output (kW)
- MOC : Maximum Operating Current (A)

**Notes:**

1. RHz is the max frequency that comes in cooling operation and heating operation.
2. RLA is the max current that comes in cooling operation and heating operation.
3. Maximum allowable voltage that is unbalance between phases is 2%.
4. Select wire size based on the larger value of MCA.
5. Use circuit breaker instead of fuse

3D142347A