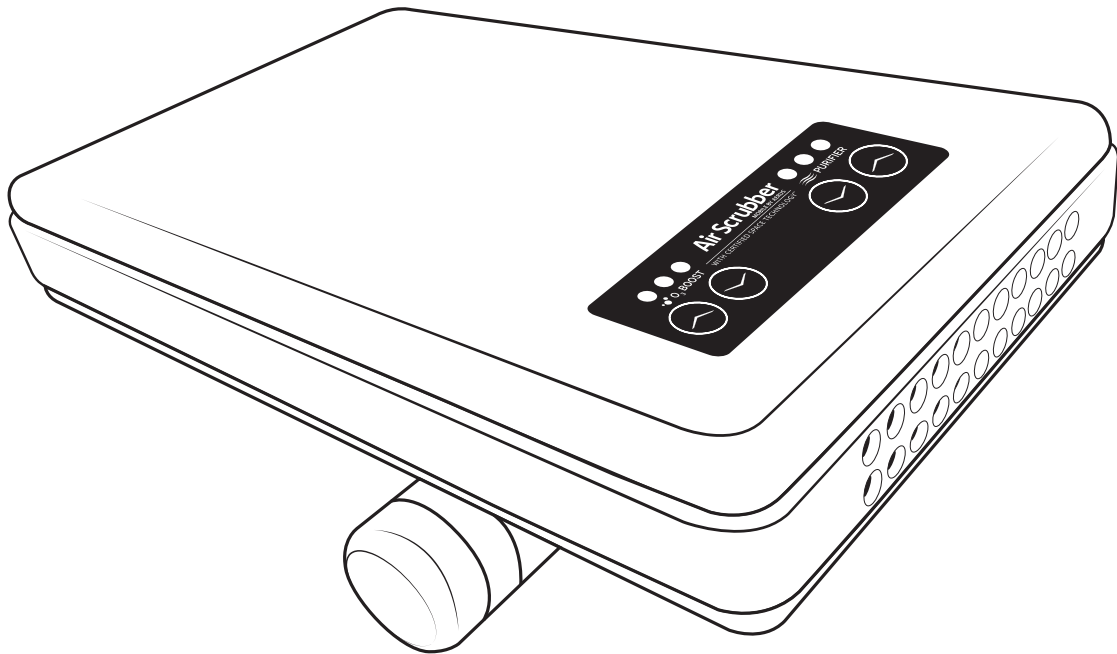


# Air Scrubber

MOBILE BY AERUS®

WITH CERTIFIED SPACE TECHNOLOGY™



## PORTABLE ELECTRONIC PURIFIER

READ MANUAL CAREFULLY FOR PROPER USE AND OPTIMAL OPERATION.



# GENERAL INFORMATION

## PRODUCT OVERVIEW

Congratulations on your purchase! Your new Air Scrubber Mobile by Aerus® is designed to provide years of trouble-free, low maintenance operation. Be sure to read and follow all service procedures outlined in this owner's manual, and use only genuine Aerus replacement parts.

## CONTENTS

Product Overview . . . . .	2
Specifications . . . . .	2
Storage & Disposal . . . . .	2
Important Safety Instructions . . . . .	3
For Canadian Customers Only . . . . .	4
Parts & Accessories . . . . .	5
Operation . . . . .	6
Mounting the Base . . . . .	7
Adjusting the Wire Stand . . . . .	7
Wire Stand Positions . . . . .	8
12 Volt DC Car Adapter . . . . .	8
Power Adapters . . . . .	8
Portability . . . . .	9
Maintenance . . . . .	10
Cleaning the Unit . . . . .	10
Removing the Activepure® Bulb Assembly . . . . .	10
Installing the Activepure® Bulb Assembly . . . . .	12
Troubleshooting . . . . .	13
Replacement Parts & Service . . . . .	14
Warranty Information . . . . .	15
FCC Declaration & Responsible Party . . . . .	16

## FILL IN AND SAVE

Record information regarding your new Air Scrubber Mobile by Aerus here. Retain for future reference.

Model No. \_\_\_\_\_

Serial No. \_\_\_\_\_

Date of Purchase \_\_\_\_\_

Aerus Independent Business Owner:

Name \_\_\_\_\_

Phone No. \_\_\_\_\_

Address \_\_\_\_\_

## SPECIFICATIONS

### Air Scrubber Mobile by Aerus

- Model Number: A1018C
- Sales Number: 00709

### Technology:

- ActivePure®

### Electrical:

- 12VDC or 110 - 240 VAC
- 50/60Hz with adapter
- Power Usage: 12 Volts, 10.7 Watts Max
- Conforms to UL STD 867

### Mechanical:

- Fuse: 2 Amp Buss type (12VDC adapter only)
- 3 Speed Fan

### Weight & Dimensions:

- 8 ounces (0.23 kg)
- 3.625" W x 6" H x 1.0" D (9.21cm x 15.25cm x 2.54cm) (w/o base)

### Operating Temperature:

- 45°F - 100°F (7°C - 38°C)

### Recommended Maximum Coverage in a Contiguous Space<sup>1</sup>:

- Up to 50 sq. ft. (4.6m<sup>2</sup>) for single occupant use. Not for use in medical or health care environments.
- \*Dependent on occupancy of the space

### Warranty:

- Limited 1 year warranty

\*Dependent upon product registration

Aerus Enterprise Solutions, LLC reserves the right to change or modify any specification without notice.

1. Assumes 8 foot ceilings. Solutions should be customized based upon a variety of factors including HVAC system capabilities and settings, air flows taking into account walls, air pressure, and doors, ambient air temperatures and humidities, variable density, known VOC concentrations, and other layers of protection.

## STORAGE AND DISPOSAL

Do not dispose of this product as household waste. Electrical waste and electronic products should be appropriately recycled as required by practices established by your local authority.



If your unit fails to operate properly after performing troubleshooting, contact your Independent HVAC Contractor for further assistance. You may also contact Customer Service at 866.736.0503, or [aessupport@aerusonline.com](mailto:aessupport@aerusonline.com) for additional support.

# IMPORTANT SAFETY INSTRUCTIONS

---



WARNING

- UV Lamp in operation
- Do not operate the Air Scrubber Mobile by Aerus® unless the case is completely and correctly assembled; failure to comply may result in serious eye damage
- Do not operate unit near heat sources, open flame, or combustible vapors or gases



CAUTION

- The unit must be disconnected from its power source before servicing, and should not have the power reconnected unless the case is correctly and completely reassembled
- Use O<sub>3</sub> Boost in accordance with directions found in this manual only
- Not for use on 12 volt positive ground or 24 volt vehicles; doing so may damage the product

Read this manual in its entirety before using your Air Scrubber Mobile by Aerus

Keep out of the reach of children.

- Disconnect power cord before servicing
- **DO NOT** immerse in water or other liquids
- **DO NOT** touch the control panel or plug with a wet hand
- **DO NOT** insert or allow foreign objects to enter any ventilation or exhaust opening as this may cause an electric shock or fire, or damage the air cleaner
- To prevent a possible fire, **DO NOT** block the air intakes or exhaust in any manner; **DO NOT** use on soft surfaces, where openings may become blocked
- To disconnect air cleaner, turn controls to OFF, then remove plug from outlet; pull firmly on the plug, **DO NOT** unplug by pulling on the cord
- Always unplug the unit before moving or cleaning, or whenever the air cleaner is not in use
- **DO NOT** use outdoors or on wet surfaces
- **DO NOT** attempt to repair or adjust any electrical or mechanical functions on this unit, doing so will void your warranty
- Connect to properly grounded outlets only
- To reduce the risk of electrical shock, do not change the plug in any way

SAVE THESE INSTRUCTIONS

# FOR CANADIAN CUSTOMERS ONLY

---

## AIR SCRUBBER MOBILE BY AERUS®

Sales No. : 00709

This UV device helps reduce the spread of viruses in the air.

Keep out of the reach of children.

Please read the label and owner's manual before using: [www.airscrubberbyaerus.com/warranty](http://www.airscrubberbyaerus.com/warranty)

### PRECAUTIONS:

**WARNING:** UV radiation emitted from this device. Unintended use of the device, or damage to the housing, may result in exposure to ultraviolet radiation. Ultraviolet radiation may cause eye and skin irritation. Avoid exposing eyes and skin to ultraviolet radiation.

**FIRST AID INSTRUCTIONS:** Please contact your healthcare provider in the event of injury caused by this device.

### DIRECTIONS FOR USE:

Plug in either the 12 Volt DC car adapter or the AC adapter. Please see owner's manual for detailed instructions on using, handling, storing and disposing of the device, and procedures to mitigate any associated risks.

The use of this device is a supplement to and not a substitute for standard infection control practices; users must continue to follow all current infection control practices, including those related to the cleaning and disinfection of environmental surfaces.

### FOR INQUIRIES CONTACT:

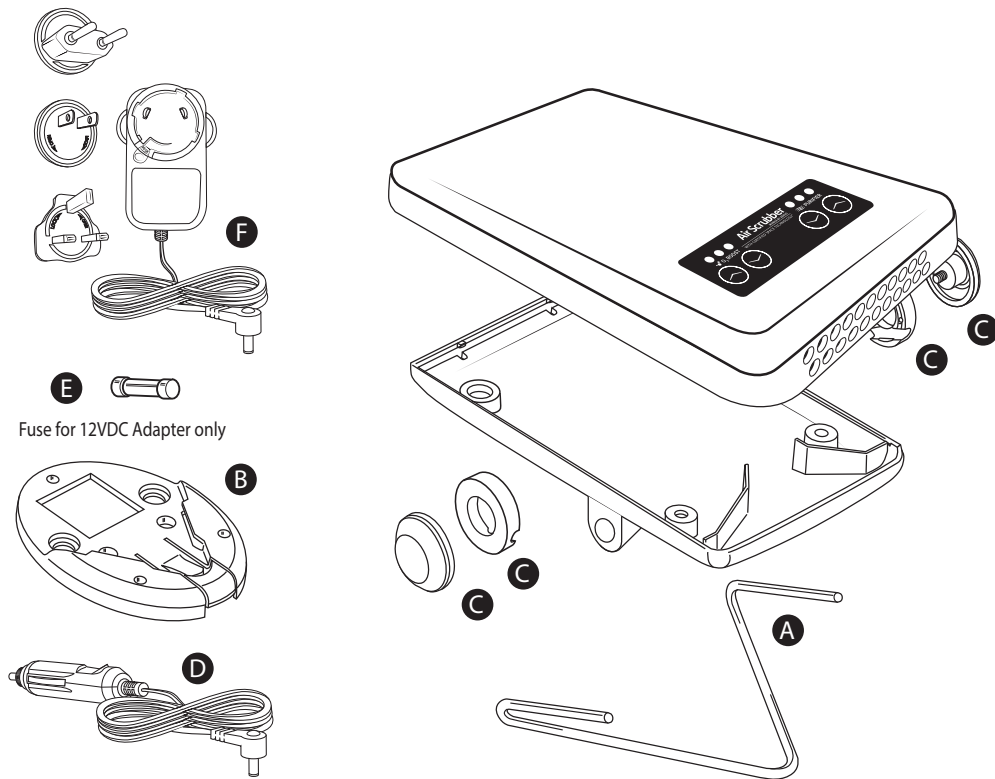
AERUS CANADA, INC.  
Laird Business Park  
3480 Laird Road, Units 2-5  
Mississauga, Ontario, Canada, L5L 5Y4

W. Parrell, Manager  
(905) 569-9399  
[wparrell@aerusonline.com](mailto:wparrell@aerusonline.com)

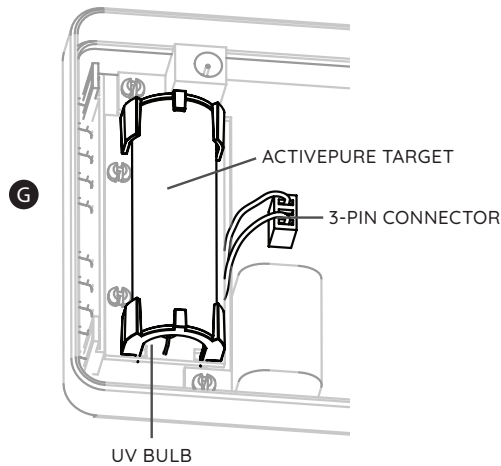
Aerus Canada, Inc. is affiliated with DBG Group Investments, LLC  
1300 Valley Drive, Bristol, Virginia 24201

# PARTS & ACCESSORIES

- A. Wire Stand (9950153)
- B. Base (9950154)
- C. Knob/Clamp Pack (2) (9950155)
- D. 12 Volt DC Adapter (9950157)
- E. 2.0 AMP Fuse (9950162)
- F. AC ADAPTER (9950158)
- G. ActivePure® Bulb Assembly Service Kit (9950209)



Fuse for 12VDC Adapter only



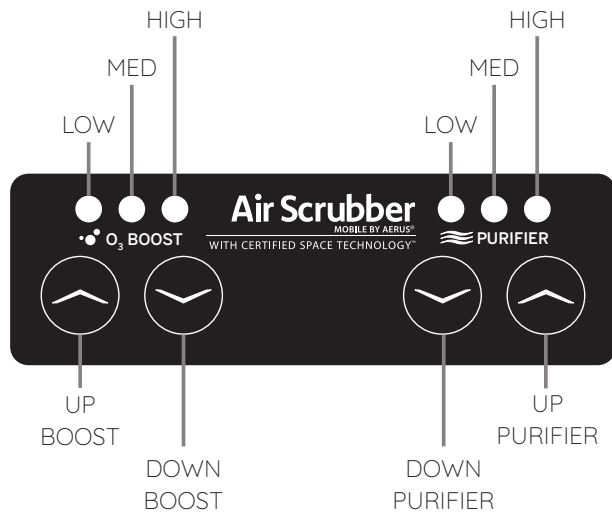
# OPERATION



CAUTION

- When running continuously for extended periods of time, it may be necessary to clean the unit more frequently than normal; remove any dust from the outside as well as the inside the unit to maintain optimal performance; a lack of cleaning/maintenance may lead to product performance or life issues
- DO NOT place unit where it may be exposed to temperatures above 100°F as doing so may cause the plastic to deform

1. If desired, mount the base in an appropriate location (see page 6).
2. Adjust the wire stand (see page 6).
3. Plug in either the 12 Volt DC car adapter or the AC adapter.
4. The Air Scrubber Mobile by Aerus® unit will come on when power is supplied to the unit.
5. Adjust the Purifier by pressing the Purifier **UP** and Purifier **DOWN** buttons. When the unit is off, all the LED lights will also be off.
6. Set the O<sub>3</sub> Boost by pressing the O<sub>3</sub> Boost UP and O<sub>3</sub> Boost DOWN buttons. See the Settings chart (below) for proper adjustments. When the O<sub>3</sub> Boost is set to off, the LEDs will also be off; the Purifier LED(s) will remain on.  
**DO NOT EXCEED RECOMMENDED SETTINGS.**

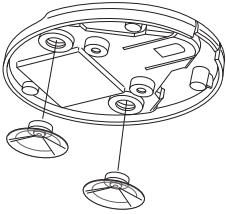


LEDs	Setting	Coverage
● ● ☀	Low:	Compact Car, Pickup
● ☀ ☀	Med:	Large Sedan, SUV, or Semi-Cab
☀ ☀ ☀	High:	RV/Motor Home or Houseboat
● ● ●	OFF:	Purifier off: ionization & fan may continue operating if desired.

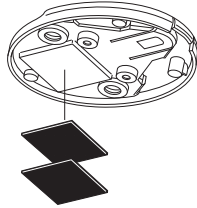
## MOUNTING THE BASE

---

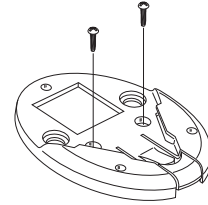
The base for the Air Scrubber Mobile by Aerus® can be mounted using the included suction cups, Velcro, or screws, depending on preference. When using suction cups or Velcro, be sure the surface is smooth and clean. Dirt, grease, protectants, and other substances will affect performance and holding ability.



- Attach suction cups by pressing and twisting into the base, or...



- Peel and stick one part of the Velcro to the base, then attach the other to a clean, dry surface, or...



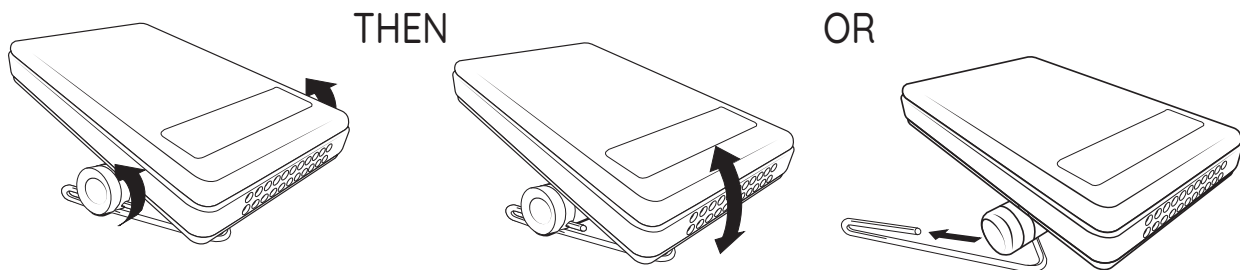
- Screws may be used for extra security and where the other methods are not appropriate.

## ADJUSTING THE WIRE STAND

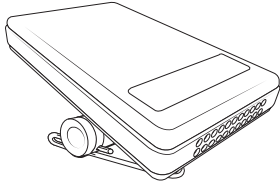
---

The wire stand on the Air Scrubber Mobile by Aerus allows for quick release from the base, provides a stand or hanger for the unit independent of the base, and allows the unit to either stand or hang from the base depending on how the base is mounted.

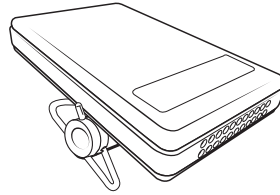
To adjust the wire stand, loosen the two knobs on the sides of the unit approximately 1/2 turn. The unit may then be tilted up or down to adjust the angle or moved on the wire stand to change the height. You can also remove and change the position of the wire stand to accommodate several different mounting methods. To reinstall, simply align the two clamp collars and insert the wire stand. Once the unit is adjusted, tighten both knobs to hold it in place.



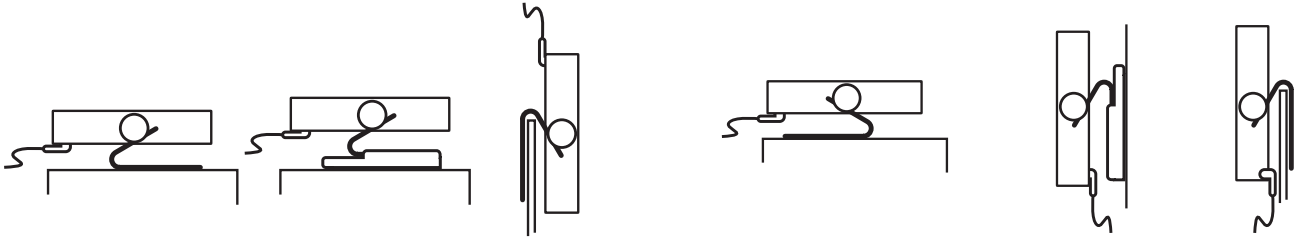
# WIRE STAND POSITIONS



- Sitting on a flat surface with or without the base
- Hanging over an edge pointing down (laundry hamper, garbage can, etc.)



- Sitting on a flat surface without the base
- On a vertical surface with the base (wall mount, window, etc.)
- Hanging over an edge pointing up (seat pocket in car)



**NOTE:** Unit can be used without attaching the base or wire stand.

# 12 VOLT DC CAR ADAPTER

Air Scrubber Mobile by Aerus® has an operating voltage range of 11 Volt DC to 14.6 Volt DC. If the voltage coming into the unit is too high, the unit may blow the 12 Volt DC adapter fuse. This type of problem usually indicates something is wrong with a vehicle's electrical system. If the unit shuts down while using the 12 Volt DC automotive adapter and you are unsure of the cause, check the adapter fuse. If the fuse is not blown, test the unit using the supplied AC adapter. Once the voltage problem (drained car battery, electrical system problem, etc.) is corrected by a qualified service person, you will be able to resume using your Air Scrubber Mobile by Aerus with the 12 Volt DC adapter.

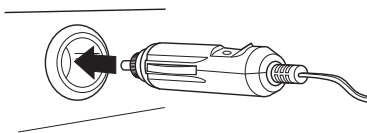
# POWER ADAPTERS



**CAUTION**

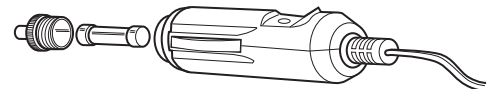
Not for use on 12 Volt positive ground or 24 Volt vehicles. Doing so may damage the product.

Air Scrubber Mobile by Aerus® comes with both a 12 Volt DC car adapter and a 100 - 240 volt 50/60 Hz AC adapter with interchangeable plugs.



- Insert the car adapter into an appropriate 12 Volt automotive type power outlet.

## 12 Volt DC Adapter Fuse



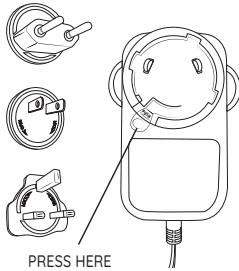
To change the car adapter fuse, unscrew and remove the front of the adapter. Replace with the same type and rating only: 2 amp Buss type fuse (service part #9950162).



## POWER ADAPTERS (CONT.)

**NOTE:** For proper operation using the 12 Volt car adapter, make sure the fit in the power outlet is snug. A loose fit may cause issues in unit operation or blown fuses.

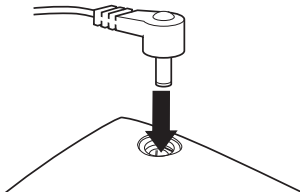
OR



- Select and install the proper international plug into the AC adapter. Insert correctly assembled adapter into a standard electrical outlet.

**NOTE:** When installing one of the interchangeable plugs, be sure to twist and lock it into place. When removing a plug, press the raised tab to release, then turn the plug out the top.

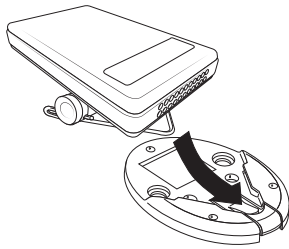
THEN



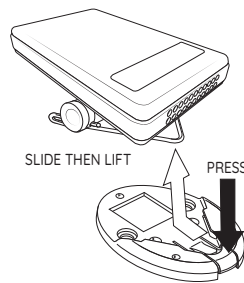
- Insert the small adapter plug into the opening located underneath at the rear of the unit.

## PORTABILITY

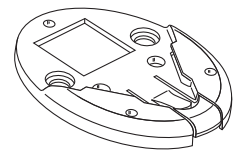
Depending on how it is mounted, your Air Scrubber Mobile by Aerus® can be ready to take with you in just a few seconds.



- Once the unit is assembled and the base mounted, simply snap the wire stand into the base. The latch at the front of the base should snap into place, locking in the stand and unit.



- To remove the unit from an attached base, press down on the front latch and slide the unit back, then up.



- For added convenience, mount extra bases where you use your unit most. See your Aerus Independent Business Owner for more information.

**NOTE:** If you prefer to remove the base and unit together, mount the base with Velcro or suction cups to a clean, dry surface.

# MAINTENANCE

---

A service kit is available for your Air Scrubber Mobile by Aerus. The kit contains a new ActivePure® Target, UV bulb, and ActivePure® Purification Plate. For optimum performance, we recommend replacing these components annually. See your Independent HVAC Contractor for more information.

## CLEANING THE UNIT

---



CAUTION

The unit must be disconnected from its power source before servicing, and should not have the power reconnected unless the case is correctly and completely reassembled.

Depending on conditions, your Air Scrubber Mobile by Aerus® will require periodic cleaning of certain internal components every one to three months.

### ActivePure® Target

Clean the target by gently removing dust with a small, soft brush.

### UV Bulb

The UV bulb should be gently wiped with a soft, dry cloth. Avoid handling the UV Bulb more than necessary.

### ActivePure® Ozone Plate

The top area of the ActivePure® Purification Plate can be cleaned with ammonia or alcohol and a cotton swab. Do not use water. Allow to dry thoroughly.

### Case

Clean the exterior of your Aerus Fresh Air Mobile with a soft cloth dampened (not wet) with water. Do not use harsh chemicals or solvents.

### Fan / Interior of Unit

The interior and fan may be cleared of dust using canned air suitable for electronics.

**NOTE:** See Installing the Activepure® Bulb Assembly on page 12 for detailed views of components.

## REMOVING THE ACTIVEPURE® BULB ASSEMBLY

---



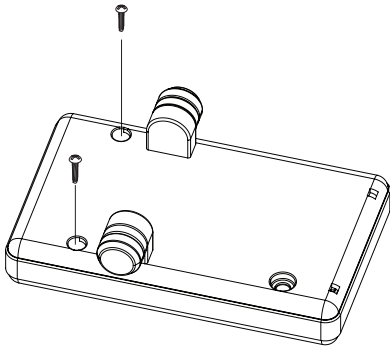
CAUTION

The unit must be disconnected from its power source before servicing, and should not have the power reconnected unless the case is correctly and completely reassembled.

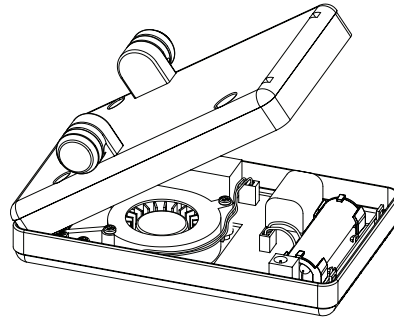
For maintenance and replacement of service kit 9950209

All user maintainable parts of the Air Scrubber Mobile by Aerus® are accessed by removing the lower half of the case.

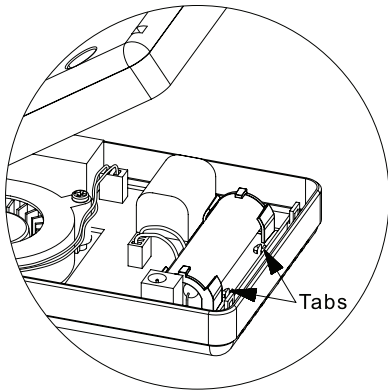
# REMOVING THE ACTIVEPURE® BULB ASSEMBLY (CONT.)



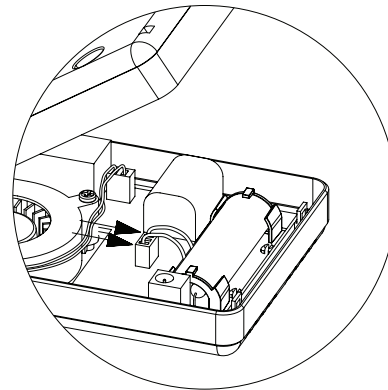
1. Turn unit over, tilt up slightly, and remove screws at the front of the unit.



2. With the front remaining tilted up, slide the lower half of the case back and up until it is free.

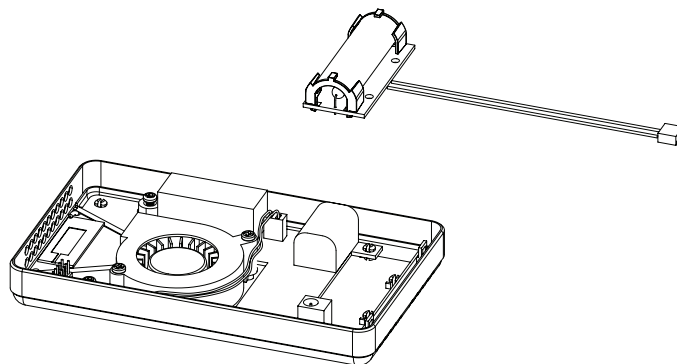


3. Lift the small circuit board holding the target screen and bulb (Bulb Assembly) from the two tabs.



4. Disconnect the leads of the Bulb Assembly from the main circuit board.

5. Remove the Bulb Assembly from the unit.



# INSTALLING THE ACTIVEPURE® BULB ASSEMBLY



CAUTION

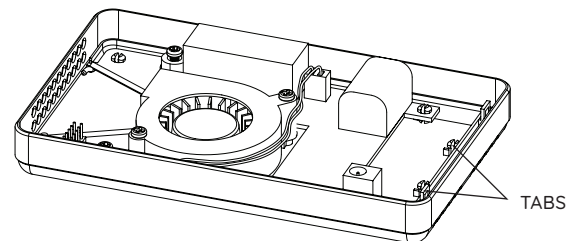
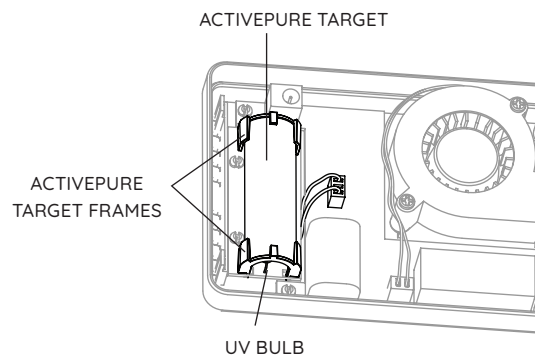
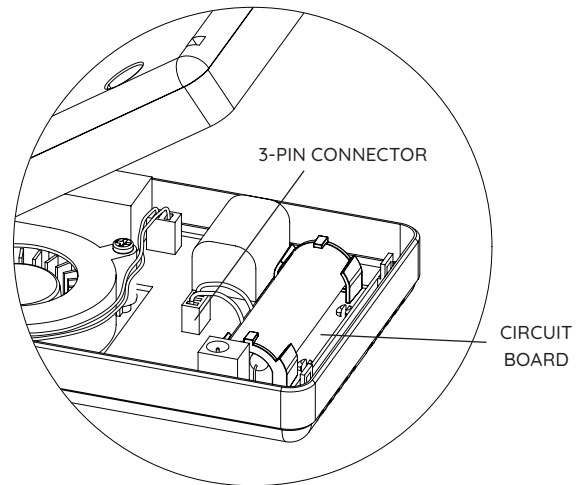
The Air Scrubber Mobile by Aerus® unit must be turned off and disconnected from power before servicing, and should not be powered back on until the case is correctly and completely reassembled.

Reinstallation is the reverse of the steps illustrated on page 7.

1. **UV Lamp** — Do not touch with bare hands. If touched, clean the bulb with a cotton swab and a small amount of isopropyl alcohol.
2. Attach the 3-pin connector of the ActivePure Bulb Assembly to the main unit circuit board.
3. Carefully align the two holes in the ActivePure Bulb Assembly to the two tabs on the main unit.
4. Press gently to install the ActivePure Bulb Assembly.
5. Carefully replace the bottom case, being sure the pins inside the the back of the bottom case fit into the two standoffs at the back of the top case.
6. Slide the bottom case forward then down, making sure the wires are completely inside the case.
7. Check for proper alignment the before installing and tightening the screws.

**NOTE:** Failure to correctly assemble may cause damage to the case.

8. Replace cover and two screws.



# TROUBLESHOOTING

---



Under no circumstances should your Air Scrubber Mobile by Aerus® unit be operated while any part of the case is damaged, missing, or disassembled. If the case is damaged, return your unit to Aerus for repair or replacement. Direct exposure to the internal UV light may cause eye damage.

## Troubleshooting — What To Look For First

### 1. Unit does not operate/the O<sub>3</sub> Boost does not operate/all LEDs off

- Unplug and reinsert the adapter plug and adapter to check where the power supply is plugged in to be sure it has power.
- If using the 12 Volt DC car adapter, remove the fuse by unscrewing the end of the adapter and check to see if it is blown. Replace it with the same type and rating fuse only (See Specifications on page 2). If the fuse is not blown, check the outlet for proper voltage.

### 2. UV bulb or O<sub>3</sub> Boost may not be working

- Press the PURIFIER UP or PURIFIER DOWN buttons to turn the Purifier function ON.
- If checking O<sub>3</sub> Boost operation, press the O<sub>3</sub> Boost UP button to turn the O<sub>3</sub> Boost ON
- Remove the Bulb Assembly, clean, and reinstall (see diagram on Page 4).
- If cleaning and reinstalling does not correct the problem, replace the Bulb Assembly (service kit #9950209).
- When looking through the rear inlet vents in low light you should see a slight bluish glow. If there is no glow, replace the Bulb Assembly (service kit #9950209).

### 3. Lack of air flow:

- Make sure the intake vents are not blocked and the front of the unit is clear.
- Check to see if the fan is operating (if not, see above).

**If your unit fails to operate properly after performing troubleshooting, contact your Independent HVAC Contractor for further assistance. You may also contact Customer Service at 866.736.0503, or [aessupport@aerusonline.com](mailto:aessupport@aerusonline.com) for additional support.**

## REPLACEMENT PARTS & SERVICE

---

REPLACEMENT PARTS (QTY)	PART NUMBER
2.0 AMP Fuse	9950162
12 Volt DC Adapter	9950157
AC ADAPTER	9950158
ActivePure® Bulb Assembly Service Kit	9950209
Base	9950154
Knob/Clamp Pack (2)	9950155
Wire Stand	9950153

If your unit fails to operate properly after performing troubleshooting, contact your Independent HVAC Contractor for further assistance. You may also contact Customer Service at 866.736.0503, or [aessupport@aerusonline.com](mailto:aessupport@aerusonline.com) for additional support.

# WARRANTY INFORMATION

## Limited One (1) Year Warranty

To register your Air Scrubber Mobile by Aerus® unit, visit [www.airscrubberbyaerus.com/warranty](http://www.airscrubberbyaerus.com/warranty).

### LIMITED 1 YEAR WARRANTY

Customer should not repackage and ship the Air Scrubber Mobile by Aerus unit due to possibility of irreparable damage. For warranty service, please contact your Independent HVAC Contractor or call Customer Service at 866.736.0503.

### WHAT IS COVERED BY THIS WARRANTY

We warrant the Air Scrubber Mobile by Aerus to the consumer, subject to the conditions below, against defects in workmanship or material, provided that the products are returned to a service location within the following time periods:

- Air Scrubber Mobile by Aerus within one (1) year of date of purchase.

### INSTALLATION AND MAINTENANCE REQUIREMENTS

This warranty is expressly conditioned upon proper installation, operation, cleaning and maintenance, all in accordance with the User's Manual. Failure to meet any of these requirements will void this warranty. Servicing of your Air Scrubber Mobile by Aerus by parties other than our authorized representative and/or using parts other than genuine parts will also void this warranty.

### HOW TO OBTAIN WARRANTY SERVICE

Customer must contact Customer Service or your Independent HVAC Contractor and provide proof of purchase within the above time period. We will repair or replace and return the product, without charge and within a reasonable period of time, subject to the conditions in the above paragraphs, if its examination shall disclose any part to be defective in workmanship or material. If we, in our discretion, are unable to repair the product after a reasonable number of attempts, we will provide either a refund of the purchase price or a replacement unit, at the company's option.

### WHAT IS NOT COVERED BY THIS WARRANTY

This product is intended for household use only. Ordinary wear and tear shall not be considered a defect in workmanship or material. These warranties do not apply to filters nor for loss or damage caused by accident, fire, abuse, misuse, improper installation, modification, misapplication, commercial use, or by any repairs other than those provided by our authorized Service Center.

### MISSING SERIAL NUMBERS AND UNAUTHORIZED CHANNELS

If a valid serial number is missing from the product, the warranty will be voided. Our products are authorized for sale through our Independent HVAC Contractors only. Warranties are voided if a product is purchased through unauthorized channels, this includes websites that are not authorized to use our trademarked names, images and logos as well as Internet auction sites (e.g. ebay and Craigslist). The only approved Internet presence for our products is [www.airscrubberbyaerus.com](http://www.airscrubberbyaerus.com). To confirm warranty coverage prior to purchasing a product, contact Customer Service at 866.736.0503 with the serial number located on the back of the unit.

### EXCLUSION OF OTHER WARRANTIES AND CONDITIONS

EXCEPT AS PROVIDED HEREIN, WE MAKE NO REPRESENTATION OR WARRANTY OF ANY KIND. ALL OTHER WARRANTIES OF ANY KIND, EXPRESS OR IMPLIED, ARE HEREBY EXPRESSLY DISCLAIMED, INCLUDING ANY IMPLIED WARRANTY OF MERCHANTABILITY OR FITNESS FOR A PARTICULAR PURPOSE.

### LIMITATION OF LIABILITY FOR SPECIAL, INCIDENTAL, OR CONSEQUENTIAL DAMAGES

WE SHALL NOT IN ANY CASE BE LIABLE FOR SPECIAL, INCIDENTAL OR CONSEQUENTIAL DAMAGES ARISING FROM BREACH OF EXPRESSED OR IMPLIED WARRANTIES, CONDITIONS, GUARANTEES OR REPRESENTATIONS, BREACH OF CONTRACT, NEGLIGENCE OR ANY OTHER LEGAL THEORY. Such excluded damages include, but are not limited to, loss of profits or revenue, and loss of the use of the products.

### FOR U.S. APPLICATION ONLY

This warranty gives you specific legal rights, and you may also have other rights which vary from state to state. Some states do not allow limitations on warranties, or on remedies for breach. In such states, the above limitations may not apply to you.

This warranty is provided by  
DBG Investments, LLC  
1300 Valley Drive  
Bristol, VA 24201.

### SERVICE

Every effort is made to ensure customers receive an up-to-date instructions manual on the use of our products; however, from time to time, modifications to our products may without notice make the information contained herein subject to alteration. For the latest information, please contact Customer Service at 866.736.0503 or [aessupport@aerusonline.com](mailto:aessupport@aerusonline.com)

# FCC DECLARATION & RESPONSIBLE PARTY

---

This equipment has been tested and found to comply with the limits for a Class B digital device, pursuant of part 15 of the FCC Rules. These limits are designed to provide reasonable protection against harmful interference in a residential installation. This equipment generates, uses, and can radiate radio frequency energy, and if not installed and used in accordance with the instructions, may cause harmful interference to radio communications. However, there is no guarantee that interference will not occur in a particular installation. If this equipment does cause harmful interference to radio or television, which can be determined by turning the equipment off and on, the user is encouraged to try to correct the interference by one or more of the following measures:

- Reorient or relocate the receiving antenna.
- Increase the separation between the equipment and receiver.
- Connect the equipment into an outlet on a circuit different from that to which the receiver is connected.
- Consult the Independent Business Owner for help.

## FCC Declaration of Conformity

**Name:** Air Scrubber Mobile by Aerus®

**Model:** A1018C

**Produced by:** DBG Group Investments, LLC

This device complies with Part 15 of the FCC Rules.


## Responsible Party

DBG Group Investments, LLC

1300 Valley Drive

Bristol, VA 24201

Ph: 866.736.0505

**Signature:**  \_\_\_\_\_

**Printed Name:** Andrew Eide

**Title:** Vice President of Product Development  
and Manufacturing

**Date:** 01/13/22





For information regarding the use of this product please call Customer Service.

**866.736.0503**

**[aessupport@aerusonline.com](mailto:aessupport@aerusonline.com)**

ASM\_OM\_65-00698\_VA-012055