

A350A/B Series

Electronic On/Off Temperature Control

Description

The A350A/B Series are On/Off temperature controls with a SPDT relay output and LED indication. These controls are used in conjunction with the A99B Series (PTC silicon) Temperature Sensors.

Two basic models cover a temperature range of -30 to 250°F with an adjustable differential of 1 to 30°F. A350A controls incorporate Fahrenheit scales; the A350B models have Celsius scales. The S350 Stage, D350 Display, and Y350R Power Modules can be used with the A350A/B.

Accessories

The base silicon sensor (**A99BC-25C**, not immersible) is included with each A350A/B Control.

Features

- field selectable heat/cool mode
- adjustable setpoint and differential
- surface or DIN rail mounting
- LED indication of relay status
- 5-pin connectors eliminate wiring between modules

Applications

- frozen/refrigerated food cases
- space temperature control
- cooling tower control
- beverage coolers
- chiller staging



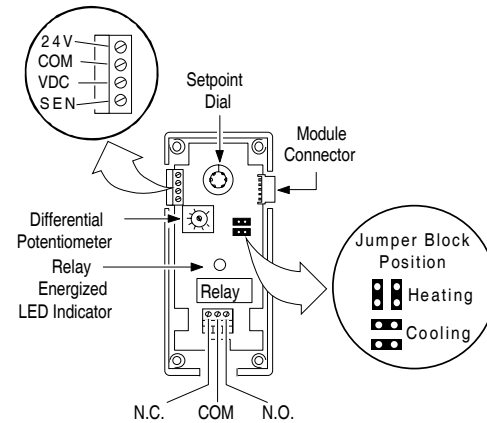
A350

Selection Chart

Code Number	Output	Range	Adj. Diff.	Offset	Sensor (Included)
A350AA-1C	SPDT Relay	-30 to 130°F	1 to 30°F	1 to 30°F	A99BC-25C
A350AA-2C		90 to 250°F			
A350AA-3C ¹		-30 to 130°F			
A350BA-1C		-35 to 55°C	0.5 to 17°C	0.5 to 17°C	
A350BA-2C		30 to 121°C			

1. Concealed setpoint, only adjustable by removing cover.

Note: Specify code number from this selection chart, along with additional staging, display, and power modules, and temperature sensing enclosures, if required.



Interior of A350A/B

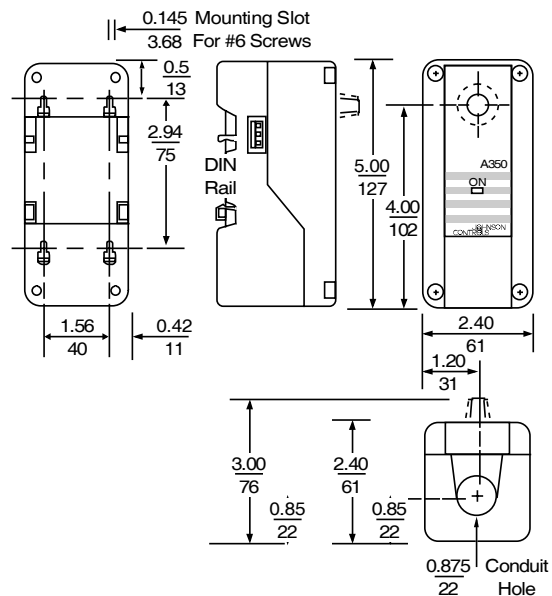
Technical Specifications

A350 Series ON/OFF Temperature Control		
Product	A350AA A350BA	On/Off Temperature Control with Fahrenheit scale On/Off Temperature Control with Celsius scale
Temperature Range	-30 to 130°F (-35 to 55°C); 90 to 250°F (30 to 121°C)	
Differential Range	1 to 30°F (0.5 to 17°C)	
Supply Voltage ¹	Transformer Y350R	20 to 30 VAC, 50/60 Hz, Class 2 120/240 VAC, 50/60 Hz
Relays	SPDT enclosed relays, contacts rated at 10 amp, non-inductive (resistive), 1/2 hp 120/240 VAC	
Power Consumption	1.4 VA Maximum	
Ambient Temperature	Operating Shipping	-30 to 150°F (-34 to 66°C) -40 to 185°F (-40 to 85°C)
Humidity	0 to 95% RH non-condensing	
Case and Cover Material	NEMA 1, high-impact thermoplastic	

1. Only one voltage source may be used.

Relay Ratings

Voltage AC	120	208/240
Full Load Amp	9.8	4.9
Locked Rotor Amp	58.8	29.4
Non-Inductive Amp 10 at 24/240 VAC		
Pilot Duty --125 VA at 24/240 VAC		



A350A/B Dimensions, in. (mm)