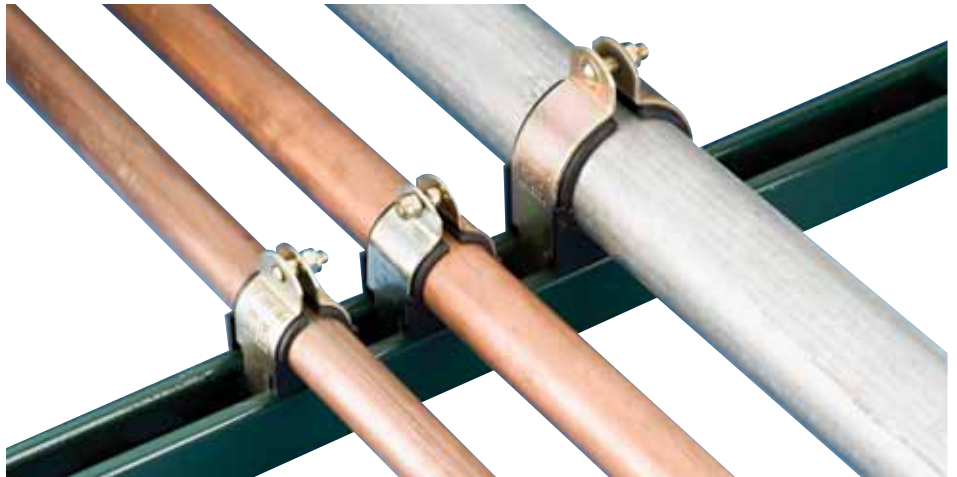


## Features

- Ideal for multiple line runs while absorbing shock and vibration, reducing unwanted noise and preventing galvanic corrosion
- Unique shoulder stud is securely fastened to one clamp half
- “Controlled Squeeze” design eliminates over-tightening and rotation while a self-locking nut assures a positive lock
- Fits any standard 1½" (41 mm) wide strut channel
- Cushion made from a thermoplastic elastomer that withstands the effects of most oils, chemicals and industrial cleaning compounds in temperatures from -50°F to 275°F
- Patented “living hinge” allows the cushion to be spread apart for quick and easy installation.
- Interlock edges and channel locator legs help ensure that the cushion remains in place.



# CADDY® CUSHION CLAMP



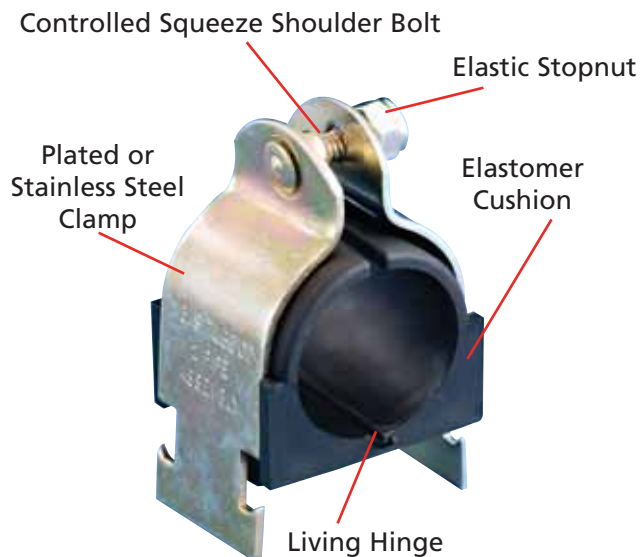
CADDY® CUSHION CLAMP is ideal for multiple line runs. They absorb vibration, reduce unwanted noise and prevent galvanic corrosion. The time-saving clamps allow additional tubes or pipes to be added without disassembling the existing installation.

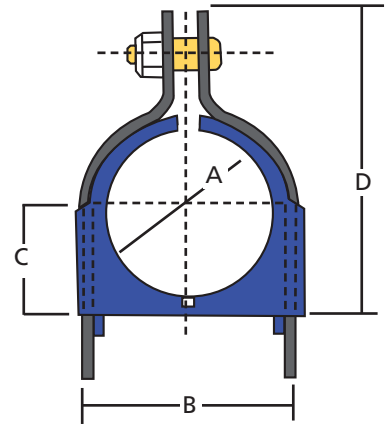
The shoulder stud is securely fastened to one clamp half. The “controlled squeeze” design of the clamp prevents over-tightening and rotation while a self-locking nut assures a positive lock. The clamps fit standard 1½ in. (41 mm) wide strut.

The rugged thermoplastic elastomer cushion inside of the clamp withstands the effects of most oils, chemicals and industrial cleaning compounds. A patented “Living Hinge” allows the cushion to spread apart for easy installation. Interlock edges and channel locator legs ensure that the cushion remains in place.

Clamps are available in tube sizes from ¼ in. to 6½ in. and in pipe sizes from ¼ in. to 6 in. Tube and pipe clamps above 1½ in. are furnished without the controlled-squeeze shoulder bolt.

The steel tube clamps have a yellow dichromate finish. The steel pipe clamps are electro-galvanized (Zinc Electroplate). Contact ERICO® for stainless steel clamps.





TUBE Series		PIPE Series		Dim. "A"		Dim. "B"		Dim. "C"		Dim. "D"		
Assembly Part No.	Copper & Steel Water	Assembly Part No.	Nominal Pipe Size	(in)	(mm)	(in)	(mm)	(in)	(mm)	(in)	(mm)	
TCC0025CP	1/4"	-	-	0.25	6.4	0.62	15.7	0.27	6.9	0.98	24.9	
TCC0037CP	3/8"	1/4"	-	0.37	9.4	0.82	20.8	0.33	8.4	1.13	28.7	
TCC0050CP	1/2"	3/8"	-	0.50	12.7	0.94	23.9	0.40	10.2	1.34	34.0	
-	-	-	PCC0025EG	1/4"	0.54	13.7	0.98	24.9	0.43	10.9	1.34	34.0
TCC0062CP	5/8"	1/2"	-	0.62	15.7	1.06	26.9	0.46	11.7	1.54	39.1	
-	-	-	PCC0037EG	3/8"	0.67	17.0	1.13	28.7	0.49	12.4	1.54	39.1
TCC0075CP	3/4"	5/8"	-	0.75	19.1	1.20	30.5	0.52	13.2	1.68	42.7	
-	-	-	PCC0050EG	1/2"	0.84	21.3	1.29	32.8	0.58	14.7	1.82	46.2
TCC0087CP	7/8"	3/4"	-	0.87	22.1	1.31	33.3	0.58	14.7	1.82	46.2	
TCC0100CP	1"	7/8"	-	1.00	25.4	1.44	36.6	0.65	16.5	1.95	49.5	
-	-	-	PCC0075EG	3/4"	1.05	26.7	1.57	39.9	0.70	17.8	2.08	52.8
TCC0112CP	1-1/8"	1"	-	1.12	28.4	1.57	39.9	0.70	17.8	2.08	52.8	
TCC0125CP	1-1/4"	1-1/8"	-	1.25	31.8	1.70	43.2	0.77	19.6	2.21	56.1	
-	-	-	PCC0100EG	1"	1.31	33.3	1.76	44.7	0.81	20.6	2.34	59.4
TCC0137CP	1-3/8"	1-1/4"	-	1.37	34.8	1.82	46.2	0.83	21.1	2.34	59.4	
TCC0150CP	1-1/2"	1-3/8"	-	1.50	38.1	1.95	49.5	0.90	22.9	2.47	62.7	
TCC0162CP	1-5/8"	1-1/2"	-	1.62	41.1	2.07	52.6	0.96	24.4	2.60	66.0	
-	-	-	PCC0125EG	1-1/4"	1.66	42.2	2.17	55.1	0.99	25.1	2.73	69.3
TCC0175CP	1-3/4"	-	-	1.75	44.5	2.20	55.9	1.02	25.9	2.73	69.3	
TCC0187CP	1-7/8"	-	-	1.87	47.5	2.32	58.9	1.09	27.7	2.86	72.6	
-	-	-	PCC0150EG	1-1/2"	1.90	48.3	2.35	59.7	1.09	27.7	2.86	72.6
TCC0200CP	2"	-	-	2.00	50.8	2.45	62.2	1.15	29.2	3.04	77.2	
TCC0212CP	2-1/8"	2"	-	2.12	53.8	2.57	65.3	1.27	32.3	3.23	82.0	
-	2-3/8"	-	PCC0200EG	2"	2.37	60.2	2.82	71.6	1.41	35.8	3.67	93.2
TCC0250CP	2-1/2"	-	-	2.50	63.5	2.94	74.7	1.46	37.1	3.79	96.3	
TCC0262CP	2-5/8"	2-1/2"	-	2.62	66.5	3.07	78.0	1.53	38.9	3.92	99.6	
-	2-7/8"	-	PCC0250EG	2-1/2"	2.87	72.9	3.32	84.3	1.66	42.2	4.17	105.9
TCC0300CP	3"	-	-	3.00	76.2	3.57	90.7	1.78	45.2	4.29	109.1	
TCC0312CP	3-1/8"	3"	-	3.12	79.2	3.57	90.7	1.84	46.7	4.42	112.3	
TCC0331CP	3-5/16"	-	-	3.31	84.1	3.96	100.6	1.90	48.3	4.75	120.7	
-	3-1/2"	-	PCC0300EG	3"	3.50	88.9	4.10	104.1	1.97	50.0	4.79	121.7
TCC0362CP	3-5/8"	3-1/2"	-	3.62	91.9	4.20	106.7	2.03	51.6	5.11	129.8	
-	4"	-	PCC0350EG	3-1/2"	4.00	101.6	4.45	113.0	2.28	57.9	5.42	137.7
TCC0412CP	4-1/8"	4"	-	4.12	104.6	4.57	116.1	2.34	59.4	5.54	140.7	
TCC0431CP	4-5/16"	-	-	4.34	110.2	4.96	126.0	2.40	61.0	5.84	148.3	
-	4-1/2"	-	PCC0400EG	4"	4.50	114.3	5.24	133.1	2.53	64.3	5.92	150.4
TCC0512CP	5-1/8"	5"	-	5.12	130.0	5.57	141.5	2.84	72.1	6.54	166.1	
-	-	-	PCC0500EG	5"	5.56	141.2	6.01	152.7	3.06	77.7	6.92	175.8
TCC0612CP	6-1/8"	6"	-	6.12	155.4	6.57	166.9	3.34	84.8	7.54	191.5	
-	-	-	PCC0600EG	6"	6.62	168.1	7.07	179.6	3.59	91.2	8.23	209.0

**WARNING**  
 ERICO products shall be installed and used only as indicated in ERICO's product instruction sheets and training materials. Instruction sheets are available at [www.erico.com](http://www.erico.com) and from your ERICO customer service representative. Improper installation, misuse, misapplication or other failure to completely follow ERICO's instructions and warnings may cause product malfunction, property damage, serious bodily injury and death.

Copyright ©2008 ERICO International Corporation. All rights reserved.  
 CADDY, CADWELD, CRITEC, ERICO, ERIFLEX, ERITECH, and LENTON are registered trademarks of ERICO International Corporation.