



***Motors for the Long Run!***  
Visit us at [www.marathonelectric.com](http://www.marathonelectric.com)

# SB300 Product Catalog

2007



"At The Heart Of What Drives Your World"



# Marathon Electric...

## The Mark of a Great Motor!



XRI® Severe Duty  
143-449T Frame



**NEMA Premium®/XRI®** - As a leading supplier of premium efficiency motors, we help conserve money and our environment. Marathon's designs are 100% compliant with CEE efficiency levels.



**ME-business** - Doing business with Marathon Electric has never been easier, with our on-line, "24/7/365" e-commerce site. Use ME-business to check order status, stock status, verify list price, invoice and shipment tracking, and a multitude of other functions designed to answer your questions promptly.



**UL Recognized** - Often, our motors are components of a larger UL Listed machine. Our long association with Underwriters Laboratories, under the Component Recognition program, ensures that Marathon's UL Recognized products form an integral part of your successful agency investigation project.



IEC Globetrotter®  
63-225M Frame



**Globetrotter®** - Marathon's IEC (metric) motor series is truly a world-class motor, meeting all IEC60034 and IEC60072 specifications. Where IEC and NEMA standards conflict, the Globetrotter meets the more stringent of the two! We offer production capability through IEC 315 frame.



**Marine Duty** - Marathon's Marine Duty motors meet the stringent product, quality and document retention specifications required for participation in the Commercial Marine industry. You'll find Marathon motors in a variety of applications, such as pumping, air handling, compressors, winches, hoists and windlasses.



**Inverter Duty** - The "Max" series of inverter/vector duty motors provides optimized, power-matched performance with today's drive technology, while meeting NEMA MG1-2003, Part 31. Marathon's general purpose, three phase motors accommodate operation from PWM power, providing a generous speed range.



Explosion Proof  
56-449T Frame



**UL Listed** - Marathon's Hazardous Duty™ motors include Division 1/Zone 1 explosion proof motors, designed for use in environments containing explosive gases or combustible dusts. The UL mark confirms that Marathon's motors have undergone rigorous testing, to ensure the user's safety.



**SpinMaster®** - The REGAL-BELOIT SpinMaster® drives range from simple, low cost speed control to advanced vector technology, in IP20, NEMA 1, NEMA 4/12 and NEMA 4X enclosures, with ratings through 60 HP.



**CE (Conformity Europeanne)** - Marathon motors are available with the CE Mark, certifying compliance with a number of European Union Directives related to product design, operation and safety.



Washdown  
PowerWash™  
56-215 Frame



**BISSC** - The "PowerWash" SXT-Plus™ stainless motors, available through 10 HP, are certified for use in the baking industry, having passed the rigorous standards required for motors used in food processing applications.



**MAX GUARD®** - This premier insulation system combines corona resistant magnet wire, a patented "Low Stress" winding technique and uncompromising quality standards, to exceed NEMA MG1-1998, Part 31, Section 4.4.2, while eliminating cable length and carrier frequency restrictions.



**CSA** - Marathon Electric works in partnership with Canadian Standards Association, to provide safe, CSA Certified products. Division 2 Hazardous Duty™ motors are Third Party Certified by CSA, while most motor manufacturers self-certify their Division 2 products.



*Our Vision...* We will clearly distinguish our products and services as the best value to our customers, as measured by our customers. We will maintain a sustainable, competitive advantage through the excellence of our people and our processes – creating value for all our stakeholders.

*Our Mission...* We will live our values, demonstrating integrity in all our actions. We will function with a high level of personal energy, energizing those around us. We will have the courage to make difficult decisions and execute to accomplish our vision.

# We Value...



**Customers** – We can be successful only when our customers are successful. We succeed by meeting their needs and exceeding their expectations. We are focused on increasing the value we provide to our customers in every aspect of our business relationships.



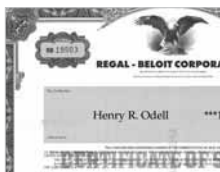
**Integrity** – Integrity is the cornerstone of all business and personal relationships. As a company and as individuals, we do the right things and never compromise our values, always conducting ourselves according to the highest standards.



**People** – Our people are our most valuable asset. We are committed to a safe workplace that values diversity and encourages our people's total energy and involvement in operating our business. We will reward our people on merit and the embodiment of our values.



**Improvement** – We are capable of great things. No matter how good our products, services, people, processes and performance, we are dedicated to making them better. We strive for excellence in everything we do by being open to new ideas and by approaching our daily work with a passion for innovation and a desire to learn and share that learning.



**Shareholders** – Shareholders provide the capital that allows our existence. We are committed to profitably growing our business, while expanding operating margins and improving the utilization of capital to provide top tier total returns to our shareholders.



**Citizenship** – We are called to give of our time, our talent and our financial resources to society and the communities that make it possible for our enterprise to exist. As a responsible corporate citizen, we are also committed to being a leader in protecting the environment. Through our stewardship, we create value for all stakeholders and preserve opportunities for generations to follow.



## Table of Contents

	Page No.		Page No.
<b>General Information</b>		<b>IEC METRIC MOTORS</b>	
Marathon Electric overview .....	.5	<b>Totally Enclosed Three Phase</b>	
Website and E-Commerce .....	.5	Globetrotter .....	.53
Marathon Electric nameplate .....	.5	575 Volt .....	.104
Marathon Electric model number .....	.6	With "FF" or "FT" Flange mounted .....	.55
Ordering information .....	.7	Flange Kits .....	.56
Discounts and Multipliers (pricing) .....	.7		
Modifications/Accessories .....	.7	<b>NEMA MOTORS</b>	
Stock, non-stock and build up models .....	.7	<b>General Purpose Single Phase</b>	
Service .....	.7	Dripproof	
Operation and Maintenance .....	.7	Rigid Base .....	.20
Storage Procedures .....	.7	Resilient Base .....	.22
Dimension Drawings .....	.7	C-Face .....	.23
Submittal Data .....	.8	C-Face, Rigid Base .....	.24
Warranty .....	.8	Totally Enclosed	
		Rigid Base .....	.24
		C-Face .....	.26
		C-Face, Rigid Base .....	.26
		"Four-In-One," C-Face, Removable Base .....	.27
		<b>General Purpose Three Phase</b>	
		Dripproof	
		Rigid Base .....	.28
		F-2 Mount, Rigid Base .....	.34
		C-Face .....	.34
		C-Face, Rigid Base .....	.36
		Totally Enclosed	
		Rigid Base .....	.37
		Blue Chip, EPAct .....	.44
		Severe Duty, Rigid Base (IP55) .....	.47
		C-Face .....	.48
		"Four-In-One," C-Face, Removable Base .....	.50
		<b>Premium Efficiency, XRI® (NEMA Premium)</b>	
		Dripproof, Rigid Base .....	.57
		Totally Enclosed, Rigid Base .....	.60
		<b>Severe Duty / Chemical Processing</b>	
		Blue Chip XRI, NEMA Premium (IP54) .....	.64
		Severe Duty, Rigid Base (IP55) .....	.47
		Blue Chip, XRI, IEEE-841, NEMA Premium (IP56) .....	.69
		<b>Washdown Duty</b>	
		Single Phase, PowerWash XT	
		Rigid Base .....	.73
		C-Face .....	.73
		C-Face, Rigid Base .....	.73
		Three Phase, PowerWash XT	
		Rigid Base .....	.75
		C-Face .....	.74
		C-Face, Rigid Base .....	.75
<b>Application Information</b>			
Agency Listings (UL, CSA, CE, etc.) .....	.10		
Bearings .....	.10		
Efficiency .....	.11		
Electrical Type/Starting Method .....	.11		
Enclosures and Method of Cooling .....	.11		
Hazardous Duty™ overview .....	.11		
IEC Degrees of Protection ("IP" Codes) .....	.11		
Insulation Systems description .....	.13		
Mounting .....	.13		
NEMA Service Factors .....	.13		
Overload Protection .....	.13		
Phase/Power Supply .....	.13		
Rotation .....	.13		
Speed/RPM .....	.13		
Terminology .....	.18		
Formulas and conversion factors .....	.19		
<b>Variable Speed Information</b>			
Guidelines for Motors on VFD .....	.14		
Variable Speed overview .....	.15		
"Inverter Duty"/"Inverter Rated" definition .....	.15		
"Vector Duty" definition .....	.15		
Variable Torque loads .....	.15		
Constant Torque loads .....	.15		
Constant Horsepower loads .....	.16		
Bearing Currents .....	.16		
Motor Grounding .....	.16		
Low Input Voltage .....	.16		
Overspeed Operation .....	.16		
Other Application Considerations .....	.17		
Typical Temp rise of various enclosures .....	.17		

	Page No.		Page No.
<b>Washdown Duty (con't)</b>			
Three Phase, All Stainless, PowerWash SXT			
C-Face	.76	JM Close - Coupled Pump	.100
C-Face, Rigid Base	.76	JP Close - Coupled Pump	.101
Three Phase, All Stainless, PowerWash SXT - Plus			
C-Face, Rigid Base	.77	Condenser Fan	.103
<b>Hazardous Duty™ (Hazardous Locations)</b>			
<b>Division I - Explosion Proof</b>			
Single Phase			
Class I & Class II ("Dual Label")			
Resilient Base	.78	Fan and Blower	.103
Rigid Base	.78	Globetrotter IEC (Metric)	.104
C-Face	.79	Kiln Duty	.105
C-Face, Rigid Base	.79	PowerWash™ XT Washdown Duty	.106
Three Phase			
Class I & Class II ("Dual Label")			
Blue Chip, Severe Duty, Rigid Base	.80	microMAX™ AC Inverter Duty	.107
Blue Chip, Severe Duty, C-Face, Rigid Base	.83	Black Max® Vector Duty	.108
Blue Chip, C-Face	.83	<b>Medium Voltage, 2300/4160 Volt</b>	
Rolled Steel, Rigid Base	.83	Dripproof	.109
Rolled Steel, C-Face	.84	Totally Enclosed	.110
Blue Chip, XRI, Premium Severe Duty,		<b>Brake Motors</b>	
Rigid Base	.85	Totally Enclosed	.112
Class I ("Single Label")			
Blue Chip, Severe Duty, Rigid Base	.87	<b>Pump Motors</b>	
<b>Division II / Zone 2</b>			
Blue Chip, XRI, NEMA Premium Severe Duty	.64	JM Close-Coupled Pump	.113
Blue Chip, XRI, NEMA Premium, IEEE-841	.69	JP Close-Coupled Pump	.120
Medium Voltage, XRI	.109	Swimming Pool Pump, C-Face	.125
ATEX Zone 2 (modification)	.230	Swimming Pool Pump, Square Flange	.125
<b>575 Volt</b>			
Dripproof			
Rigid Base	.89	Jet Pump	.126
C-Face	.90	Fire Pump	.129
Totally Enclosed			
Rigid Base	.90	Vertical Solid Shaft P-Base	.131
C-Face	.92	<b>Heating, Ventilating,</b>	
C-Face, Rigid Or Removable Base	.93	<b>and Air Conditioning Motors</b>	
Severe Duty			
Blue Chip, XRI, NEMA Premium	.94	Aeration Fan	.135
Blue Chip, XRI, IEEE-841, NEMA Premium	.96	Attic Fan	.135
Explosion Proof			
Class I, Group D, Class II,			
Groups F & G, Rigid Base	.98	Centrifugal Fan	.136
Class I, Groups C & D, Class II,			
Groups F & G, C-Face	.99	Condenser Fan	.136
Class I, Groups C & D, Class II,			
Groups F & G, C-Face, Rigid	.99	Exhaust Ventilators	.145
		Fan and Blower - Direct Drive, PSC	.142
		Fan and Blower - Double Shaft, PSC	.144
		Fan and Blower - Single Phase, Dripproof,	
		Resilient Base	.146
		Fan and Blower - Single Phase,	
		Totally Enclosed, Resilient Base	.148
		Fan and Blower - Single Phase,	
		Explosion Proof, Resilient Base	.149
		Fan and Blower - Three Phase,	
		Dripproof, Resilient Base	.149
		Multi-Horsepower "ME-CAN-DO"	.151
		OEM Replacement Motors	.153
		Oil Burner	.163
		Pedestal Fan	.162
		Refrigeration Fan	.165
		Unit Heater	.166
		Water Circulator	.166

## Table of Contents

	Page No.		Page No.
<b>Definite Purpose Motors</b>		<b>AC Adjustable Speed Drives, SpinMaster®</b>	
50 Hertz	170	SpinMaster® (IP20)	203
Air Compressor	180	SpinMaster® Plus (IP20)	204
Automotive Duty	171	SpinMaster® Vmax (IP20)	206
Cooling Tower	167	SpinMaster® Micro (NEMA 1)	210
Crusher (Aggregate)	179	SpinMaster® PowerWash (NEMA 4 and NEMA 12)	212
Design C	180	SpinMaster® PowerWash (NEMA 4X Stainless Steel)	214
Laundry, Commercial	186	SpinMaster® Accessories	208, 216
Kiln Duty	187	Product Comparisons	207, 215
Oil Well Pumper	189		
Pressure Washer	190	<b>Motor Modifications through Mod Central</b>	217
Two Speed	169		
Woodworking/Power Tool	192	<b>Accessory Kits</b>	231
		<b>Supplier Promotions</b>	245
<b>Farm Duty Motors</b>		<b>"Specials Are Our Speciality"</b>	250
Agriculture Fan/Variable Speed, PSC	181	<b>Dimensional Drawings</b>	252
Crop Dryer	183	<b>Index</b>	268
High Torque, Farm Duty	184	<b>Terms and Conditions of Sale</b>	311
Extra High Torque, Chore Duty	185	<b>Warnings and Cautions</b>	316
Auger Drive	185	<b>Blue Chip®, XRI®, XRI®-SD &amp; IEEE841 Product Comparison</b>	IBC
Grain Stirring	185	<b>NEMA Quick Reference Dimensional Chart</b>	BC
<b>Inverter Duty and Vector Duty Motors</b>			
microMAX® Inverter Duty 20:1 and 1000:1 CT	193		
Black Max® Vector Duty 1000:1 CT, TENV	195		
Black Max® Vector Duty 1000:1 CT, Explosion Proof, 56 Frame	196		
Blue Max® "2000" Vector Duty 2000:1 CT, Totally Enclosed	197		
Blue Max® "2000" Vector Duty 2000:1 CT, Brakemotors	198		
Blue Max® "2000" Vector Duty 2000:1 CT, Explosion Proof	199		
<b>DC MOTORS</b>			
Permanent Magnet SCR, TENV and TEFC	200		
Permanent Magnet SCR, Washdown	201		
Permanent Magnet SCR, Low Voltage	202		

**MARATHON ELECTRIC**

Since 1913, Marathon Electric's name has been recognized for engineering excellence, custom-designed products and an extensive product line of industrial quality motors. Available in all popular enclosures from 1/12 HP through 800 HP and in a variety of mounting configurations, Marathon Electric's unique designs provide more ways in which to add accessories, such as blowers, brakes and encoders, to our motors than anyone else in the motor business. Our state-of-the-art lab facilities are equipped and staffed with the finest resources available to ensure successful utilization of our products. Finally, as the preferred supplier of motors to most of the top drive manufacturers in North America, we have what it takes to be a leader in understanding the interaction of drives as they are applied with AC induction motors.

**WEBSITE AND E-COMMERCE**

Information can be accessed instantly, any time of the day on ME-business. Marathon customers can sign-up for ME-business by contacting their sales representative.

ME-business can be accessed through:  
**www.marathonelectric.com.**



- Stock Availability
- Order Status
- Shipping Information
- Invoice Information
- Product features and performance data

**Marathon Electric Nameplate Information - HOW TO READ A MARATHON ELECTRIC NAMEPLATE**

The nameplate is the key to selecting the proper replacement motor.

The diagram shows a Marathon Electric nameplate with various fields and symbols. Blue lines connect callouts to specific parts of the nameplate:

- Motor Specifications (Example):**
  - 1. MODEL - 2
  - 2. DATE CODE - 1
  - 3. MTG. - 3
  - 4. FRAME - 4
  - 5. PART NO. - 5
  - 6. SER. - 6
  - 7. TYPE - 7
  - 8. DES. - 8
  - 9. PH - 9
  - 10. INS CL - 10
  - 11. DUTY CONT - 11
  - 12. MAX AMB IC - 12
  - 13. ENCL TEFC - 13
  - 14. RISE - 14
  - 15. IP - 15
  - 16. IC - 16
  - 17. CODE G - 17
  - 18. MTH/YR MFG. - 18
  - 19. WT/LBS - 19
  - 20. WT/KG - 20
  - 21. HZ - 21
  - 22. VOLTS - 22
  - 23. HP - 23
  - 24. KW - 24
  - 25. F.L.AMPS - 25
  - 26. SF - 26
  - 27. PF(COS) - 27
  - 28. RPM - 28
  - 29. NOM EFF - 29
  - 30. SHAFT END BEARING - 30
  - 31. OPP. END BEARING - 31
  - 32. SHAFT END BRG - 32
  - 33. OPP - 33
- Agency Symbols:**
  - CSA Verification Mark (CSA logo)
  - UL Recognized Component Mark (UL logo)
  - CE (Conformité Européene) Marking (CE logo)
  - CSA Mark (CSA logo)
  - CC# (Compliance Certification Number) (CC003A)

Additional text on the nameplate includes: MARINE DUTY, IEEEE45, USCG, IEEEE841, NEMA Premium, API RP14F, MARATHON ELECTRIC, XRI HIGH EFFICIENCY, WAUSAU, WISCONSIN 54401 U.S.A., AN 256THFNA9026ABL, MTG. F1, FRAME 256T, SER. 6, DUTY CONT 11, MAX AMB IC 40°C, ENCL TEFC 13, RISE 65°C, IP 56, IC 41, CODE G 17, MTH/YR MFG. 12/2003 18, WT/LBS 412, WT/KG 187, HZ 50, VOLTS 400, HP 15, KW 11, F.L.AMPS 21.5, SF 1.15, PF(COS) 84.0, RPM 1775, NOM EFF 93.0, NOM EFF 93.0, SHAFT END BEARING 45BC03XPP30X, OPP. END BEARING 50BC02XPP30X, FOR USE ON PWM VFD 10:1 VT, 20:1 CT, 1.0 SF.

- |   |  |
|---|--|
| <ol style="list-style-type: none"> <li>1. <b>MODEL</b> - The ID number</li> <li>2. <b>DATE CODE</b> - The month and year manufactured</li> <li>3. <b>MTG.</b> - Mounting</li> <li>4. <b>FRAME</b> - The size &amp; mounting</li> <li>5. <b>PART NO.</b> - Customer part number</li> <li>6. <b>SER.</b> - Serial number</li> <li>7. <b>TYPE</b> - Electrical type</li> <li>8. <b>DES.</b> - Code by NEMA or IEC</li> <li>9. <b>PH</b> - Electrical phase usually 1 or 3</li> <li>10. <b>INS CL</b> - Insulation Class</li> <li>11. <b>DUTY</b> - Time rating under load</li> <li>12. <b>MAX AMB</b> - The allowable surrounding air temperature</li> <li>13. <b>ENCL</b> - Enclosure (i.e. TEFC)</li> <li>14. <b>RISE</b> - The temperature rise over ambient expressed in degrees Celsius when the motor operates at nameplated HP or KW</li> <li>15. <b>IP</b> - Inherent Protection of the enclosure to solids and liquids as defined by IEC 34-5</li> <li>16. <b>IC</b> - Inherent Cooling</li> <li>17. <b>CODE</b> - NEMA locked-rotor KVA</li> <li>18. <b>MTH/YR MFG.</b> - Month and year motor was manufactured</li> </ol> | <ol style="list-style-type: none"> <li>19. <b>WT/LBS</b> - Motor weight in pounds</li> <li>20. <b>WT/KG</b> - Motor weight in kilograms</li> <li>21. <b>HZ</b> - Input frequency of the power supply, usually 50 or 60 HZ</li> <li>22. <b>VOLTS</b> - Voltage rating of the motor at the operating frequency</li> <li>23. <b>HP</b> - Rated horsepower the motor will produce</li> <li>24. <b>KW</b> - Rated output in watts</li> <li>25. <b>F.L. AMPS</b> - The rated load current expressed in amps at nameplated horsepower with nameplate voltage and frequency</li> <li>26. <b>S.F.</b> - Percentage of the rated horsepower the motor can safely operate at: Example: 1.15 SF (115% of rated HP)</li> <li>27. <b>PF / COS</b> - Power Factor / Cosine is the ratio of actual power to the apparent power</li> <li>28. <b>RPM</b> - Full load speed at rated frequency</li> <li>29. <b>NOM EFF</b> - Average Efficiency</li> <li>30. <b>SHAFT END BEARING</b> - Manufacturer drive end bearing number</li> <li>31. <b>OPP. END BEARING</b> - Manufacturer opposite drive end bearing number</li> <li>32. <b>SHAFT END BRG</b> - Drive end bearing size</li> <li>33. <b>OPP</b> - Opposite drive end bearing size</li> </ol> |
|---|--|

## General Information

### HOW TO READ A MODEL NUMBER:

Each Marathon Electric motor carries a model number that can be used to define some of the motor's physical and electrical characteristics.

Example (For Fractional): 1PC48C17D2000AP

This is a breakdown of the model on the nameplate:

<u>1</u>	<u>P</u>	<u>C</u>	<u>48</u>	<u>C</u>	<u>17</u>	<u>D</u>	<u>2000</u>	<u>A</u>	<u>P</u>
1	2	3	4	5	6	7	10	11	12

This is a breakdown of the model in the catalog:

<u>48</u>	<u>C</u>	<u>17</u>	<u>D</u>	<u>2000</u>
4	5	6	7	10

Example (For Integral): 2QA215TBDR A7076ALL

This is a breakdown of the model on the nameplate:

<u>2</u>	<u>Q</u>	<u>A</u>	<u>215T</u>	<u>B</u>	<u>D</u>	<u>R</u>	<u>A</u>	<u>7076</u>	<u>AL</u>	<u>L</u>
1	2	3	4	5	7	8	9	10	11	12

This is a breakdown of the model in the catalog:

<u>215T</u>	<u>B</u>	<u>D</u>	<u>R</u>	<u>A</u>	<u>7076</u>
4	5	7	8	9	10

- Date Code** - Year of Manufacture  
(Not shown in catalog listings.)
- Thermal Protection** (Not shown in catalog listings.)
 

	UL Recognized Motor Protector Combination	UL Recognized Motor Construction
Automatic Reset	Automatic Reset	Automatic Reset
Q	Yes	Yes
S	No	No
U	No	Yes
W	#	Yes
Manual Reset	Manual Reset	Manual Reset
P	Yes	Yes
Z	No	Yes
X	No	No
None	None	None
V	No	Yes

# Motor protector combination is U.L. recognized only if motor is used in direct drive fan duty application, and is under locked rotor condition, or is running under no-load condition.
- Date Code** - Month of Manufacturer (Not shown in catalog listings.)
- NEMA Frame Size** - (Integral motors - T and U designate standard shaft, TS and US designate short shaft)

### 5. Electrical Type

Single Phase:

- A = Permanent split capacitor
- B = Capacitor start, capacitor run
- C = Capacitor start, induction run
- N = Split phase start, capacitor run
- S = Split phase

Three Phase:

- T = Three phase
- H = Inverter Duty/IEEE841 Inverter Duty
- V = Medium Voltage

DC Power:

- E = Permanent Magnet DC

### 6. RPM or Speed at 60 Hz (Fractional Only)

- 34 = 2-Pole, 3600 rpm
- 17 = 4-Pole, 1800 rpm
- 11 = 6-Pole, 1200 rpm
- 8 = 8-Pole, 900 rpm

### 7. Enclosure

- D = Dripproof
- E = Explosion proof, non-ventilated
- F = Totally enclosed, fan cooled
- G = Explosion proof, fan cooled
- O = Open
- P = Partial
- S = Semi-enclosed
- T = Totally enclosed, non-ventilated
- V = Washdown, non-ventilated
- W = Washdown, fan cooled

### 8. Frame Construction

#### Integral

- L = Aluminum (Full Frame)
- Y = Aluminum (Full Frame)
- Z = Aluminum (High Mount Down Frame)
- H = Aluminum - Sourced
- R = Rolled Steel (Full Frame)
- W = Rolled Steel (Full Frame)
- X = Rolled Steel (High Mount Down Frame)
- B = Rolled Steel - Sourced
- S = Cast Iron (Full Frame)
- N = Cast Iron (Full Frame)
- P = Cast Iron (High Mount Down Frame)
- C = Cast Iron - Sourced
- D = Stainless Steel

#### Fractional (where applicable)

- B = Rolled Steel - Sourced
- D = Stainless Steel - Sourced
- U = Frameless - Sourced

### 9. Style Letter (A, B, C, etc. indicate redesign)

### 10. Sequence Number

### 11. Minor Modification Letter(s)

**Fractional - 1 letter; Integral - 2 letters**

### 12. Manufacturing Code - A code for the factory where the motor was manufactured.



## ORDERING INFORMATION

When ordering, please include the model number, catalog number, description of the motor, quantity, shipping and billing instructions. For pricing of non-stock motors, or if you need assistance in selecting the proper motor, please contact your nearest Marathon Electric sales representative or local Marathon Electric Distributor. **All prices and data are subject to change without notice.**

## CANCELLATIONS AND RETURNS

### Stock Product

Stock product can be returned for credit as defined herein. Equipment must be in original packaging, unused in "as shipped" condition and is limited to products currently maintained in stock inventory. The quantity returned cannot exceed Marathon Electric's normal stock quantity level. All motors returned must have date codes no older than 18 months from date of manufacture. The minimum restocking charge is 25% of the original net purchase price. Modified and build to order motors cannot be returned for credit. Return freight charges are the responsibility of the customer returning the motor for credit.

### Non-stock Product Cancellation policy:

Cancellation charges for non-stock orders received and entered will be determined based on the percentage of completion in the engineering and manufacturing process, accounting for all costs plus a reasonable profit. Marathon Electric's determination of the cancellation charges shall be conclusive.

## DISCOUNTS AND MULTIPLIERS

Except as noted, all prices in this catalog are list prices. 200 and 575 volt 3 phase ratings utilize the same list price as 230/460 volt. NEMA short shaft (TS) utilize the same list price as standard shaft (T). For your discount and multiplier, contact your local Marathon Electric sales representative or local Marathon Electric Distributor.

## MODIFICATION/ACCESSORIES

See the Modification/Accessories Sections for more information on modifications to create special motor variations.

## STOCK, NON-STOCK AND BUILD UP MODELS

Standard motors listed in this catalog, as indicated with a star (\*) next to the catalog number, are normally in stock. There is no minimum order quantity or minimum billing charge associated with stock motors, unless stated otherwise in your quotation or agreement with Marathon Electric.

Production of non-stock catalog models and all build-up models is subject to minimum order quantities or setup charges listed below.

48-140 Frame = 25 piece minimum  
 180-210 Frames = 5 piece minimum or \$200 set-up/model  
 250-320 Frames = 5 piece minimum or \$300 set-up/model

Build-up motors must be thoroughly described at time of order, and/or associated with a formal quotation issued by Marathon Electric. Inclusion of product features for similar motors documented in this catalog should not be assumed.

## SERVICE

For service on any Marathon Electric motor, contact your nearest Marathon Electric Authorized Service Station. For a complete listing of all domestic and foreign service stations, refer to Marathon Electric's brochure, SB112, or [www.marathonelectric.com](http://www.marathonelectric.com).

## OPERATION AND MAINTENANCE

For information on operation and maintenance, please consult the manual or card shipped with your new motor. Additional copies of "Installation, Operation & Maintenance Instructions" (brochure SB181) are available upon request or through our web site, [www.marathonelectric.com](http://www.marathonelectric.com).

## STORAGE PROCEDURES

In the event that long-term storage of motors is required, Marathon Electric recommends the following precautions and procedures. This information is also contained in "Installation, Operation and Maintenance Instructions" (SB181).

### A. Keep motors clean

1. Store indoors
2. Keep covered to eliminate airborne dust and dirt.
3. Cover openings for ventilation, conduit connections, etc., to prevent entry of rodents, snakes, birds and insects.

### B. Keep motors dry

1. Store in a dry area indoors
2. Temperature swings should be minimal to prevent condensation.
3. Space heaters are recommended to prevent condensation.
4. Treat unpainted flanges, shafts and fittings with a rust inhibitor.
5. Check insulation resistance before putting motor into service.

### C. Keep bearings lubricated

1. Once per month, rotate shaft several turns to distribute grease in bearings.
2. If unit has been stored more than one year, add grease before start-up (refer to lubrication procedure).

## DIMENSION DRAWINGS

See Table of Contents for the dimension section in this catalog, [www.marathonelectric.com](http://www.marathonelectric.com) or request certified drawings through your Marathon Electric Sales Engineer, Representative or local Marathon Electric Distributor.

## General Information

### WARRANTY

Marathon Electric warrants Fractional and Integral motors to be free from defects in materials and workmanship and to conform to Marathon's written specifications.

Motor Type	Warranty Period from Date of Installation*	Warranty Period from Date of Manufacture*
Standard Warranty for any product not shown below	12	18
Medium Voltage**	12	18
EPAct compliant (aluminum, steel & cast iron frame)	24	30
Blue Chip Severe Duty Explosion Proof	24	30
Blue Max®, Black Max®, & microMax™ Inverter Duty	36	42
All XRI® (NEMA Premium®) incl. ODP, Blue Chip, Severe Duty, Explosion Proof, etc.	36	42
U-Frame Automotive Duty	60	66
Blue Chip IEEE-841	60	66

\* Warranty period shown is in months, and is valid for whichever period expires first.

\*\* This product has an extended warranty available as long as it is being used with an electronic overload relay protection system. The warranty extension is 36 months from date of first use, not to exceed 42 months from the date of manufacture, whichever period shall expire first. This warranty extension is at no additional charge. The only requirements are the usage of the electronic relay and return of the warranty card with all items filled in. This card is attached to every Medium Voltage motor.

Note: Brake discs are considered a normal maintenance item and are not covered under warranty.

For more information, on Marathon Electric's warranty policy, refer to the "Terms and Conditions of Sale" (MPN411) in the back of this catalog.

### SUBMITTAL DATA

Mechanical and electrical submittal data is available on many stock catalog motors through our website [www.marathonelectric.com](http://www.marathonelectric.com) by following the three steps listed on the next page. All other submittal data is available upon request when accompanied by a purchase order for the specified motor, **subject to the following additional charges**

### SUBMITTAL CHARGE SCHEDULE

TYPE	ELEMENTS	NET/EA
BASIC (.PDF format)	Nameplate data Motor characteristics Performance data Outline drawing External connection diagram	No-Charge
	Add for .dxf or .dwg format	\$25
BASIC-PLUS (.pdf format)	All "BASIC" elements, tailored to specific order.	\$75
	"Cut sheets" of installed accessories Add for .dxf or .dwg format	\$25
ADDITIONAL ITEMS (.pdf formats)	Speed/Torque curve	\$50
	Torque capability curve	\$50
	Commercial (end of line) test results (not available for West Plains motors)*	\$50
	Certificate of conformance	\$100
	Thermal damage curve (48-326T frame)	\$500 + cost of additional motor
	Thermal damage curve (364T-6805 frame)	\$1500 +cost of additional motor

\* Does not imply retesting

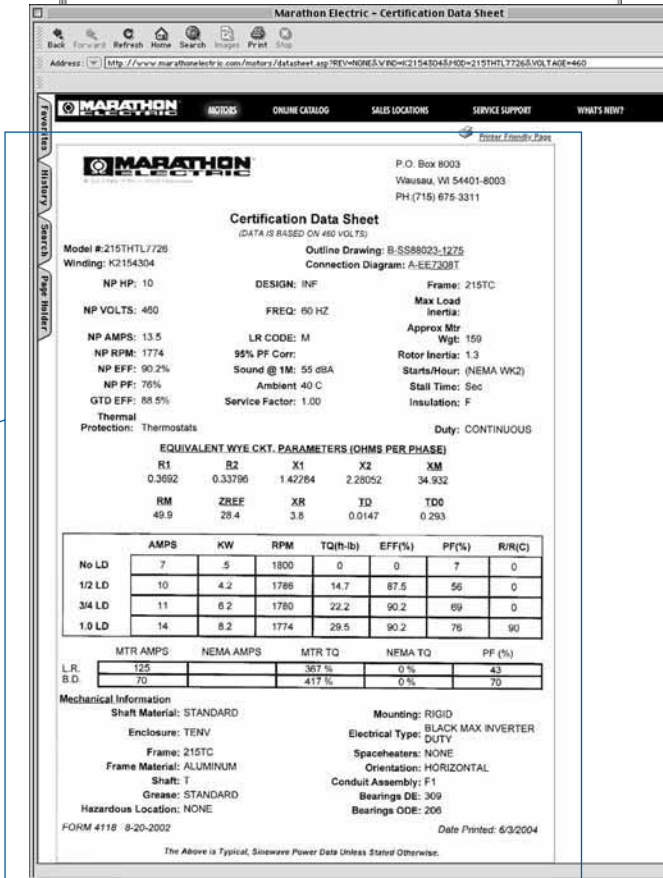
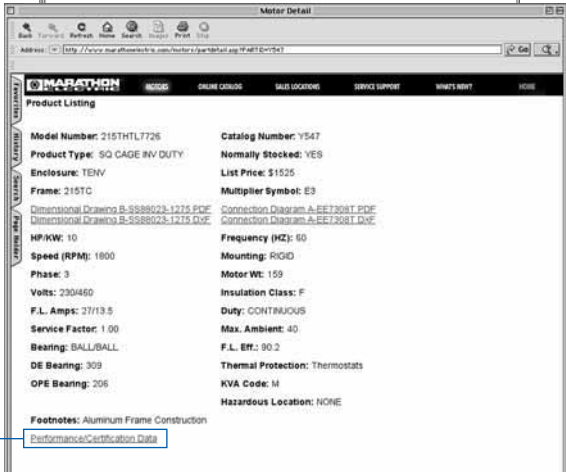
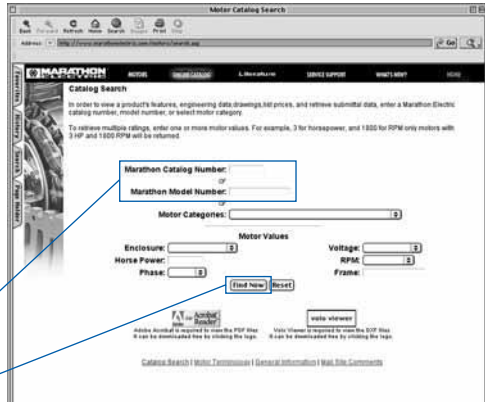
1. From our homepage, click on the link for motors. From the motors page, go to online catalog.

Enter in the Marathon Catalog number or Model number in the appropriate field. Click on Find Now.

(Note: If you already have a Marathon Electric motor and are looking for the performance data, make sure the model number off the nameplate is what you use for your search. Ex. 215THTL7726).

2. A Product Listing page will appear about the motor. You will be able to print dimensional drawings and connection diagrams in PDF and DXF formats for the motors. At the bottom of this screen, click on the link, Performance/Certification Data.

3. Your results will look similar to the example shown to the right for Marathon's 10 HP, Black Max® motor, model # 215THTL7726. It's that easy!



## Application Information

### AGENCY LISTINGS

#### UL and CSA

Where applicable, Marathon Electric's motors are UL Listed for explosion proof enclosures, UL Recognized construction for non-explosion proof enclosures, and UL Recognized as a motor/protector combination. Our motors are also CSA Certified for both explosion proof and non-explosion proof enclosures.

#### AC Motors

Non-Explosion Proof	UL File No.	CSA File No.
NEMA 48-449 Frame	E49747	LR2025
NEMA 500 and 5000 Frame	—	LR2025*
IEC 63-90 Frame	E49747	LR2025
IEC 100-280 Frame	E49747	LR2025†
* Does not include coverage for use with VFD		
† Domestic product only		
Explosion Proof	UL File No.	CSA File No.
NEMA 56-326 Frame	E12044	LR47504
NEMA 364-449 Frame	E12044	LR21839
Fire Pump Motors	UL File No.	CSA File No.
NEMA 143-510	EX5190	LR2025

#### PMDC Motors

Non-Explosion Proof	UL File No.	CSA File No.
NEMA -56-145	E57948	LR33543

#### CE (Conformity Europeenne)

CE marking on the nameplates of Marathon Electric motors is available upon request. Note that only the "Low Voltage" directive applies to electric motors. Contact a factory representative for details. Non-explosion proof microMAX™, BlackMax® and BlueMax® (TENV and TEFC) standard (catalog) models have the CE Mark on the nameplate.

#### ATEX Directive (Atmospheres Explosibles)

Mandatory by law, the European Union (EU) Directive 94/9/EC requires that electric motors in contact with a potential ignition source carry the CE mark, notified body identifier, Ex symbol, equipment group and category, plus the date code.

#### NEMA (National Electrical Manufacturers Ass'n)

All Marathon Electric motors are manufactured in accordance with all applicable NEMA standards in MG1-2003. When applied in accordance with the "Guidelines for Application of Three Phase Motors on Variable Frequency Drives", **Marathon Electric motors are in full compliance with NEMA MG1-2003, Part 31, Section 4.4.2**, as pertaining to voltage spikes. 460 volt motors must withstand voltage spikes of up to 1426 volts; 575 volt motors must withstand spikes up to 1788 volts. See "Insulation Systems" for additional detail on this subject.

#### Commitment to RoHS and WEEE European Directives

European Directive 2002/95/EC "Restriction of Use of Certain Hazardous Substances" (RoHS) and Directive 2002/96/EC "Directives on Waste Electrical and Electronic Equipment" (WEEE) were enacted to control the amount of certain hazardous substances contained in products shipped into the E.U. Restricted substances include lead, mercury, cadmium, hexavalent chromium, polybrominated biphenyls and polybrominated dipheynl ethers.

The scope of products covered, affecting motors, is:

- Large household appliances
- Small household appliances
- IT and telecommunications equipment
- Consumer equipment
- Electrical and electronic tools (except large scale stationary and industrial tools)
- Toys, leisure and sports equipment
- Automatic dispensers

In addition to the exemption above, the Directives do not currently apply to medical devices, monitoring and control instruments, spare parts for the repair or reuse of electrical and electronic equipment placed on the market before July 1, 2006, and most military and state security equipment.

Regal Beloit Corporation worked closely with suppliers to assure that product falling within the scope of these directives meets the specified levels of these substances. The directives took affect July 1st, 2006 however many products were converted in May and June. The products converted are motors in NEMA frame size 145 and below, both AC and DC motors with the following exceptions:

- Sleeve bearing motors **(an exemption has been applied for). A compliant ball bearing equivalent motor can be ordered.**
- Brake motors in 56-145 frame **will have to be ordered specifically as RoHS compliant.**
- **Some motors with specialty electro-mechanical components.**

#### BEARINGS

FRAME SIZE	STANDARD TYPE	COMMENTS
48	Shield Ball	Sleeve bearing as noted
56 - 145T	Sealed Ball	
182 - 444T	Double Shield Ball	
284 - 449TS	Single Shield Ball	
445T - 6805	Double Shield Ball	Direct - coupled loads
445T - 6805	Roller (DE)/Ball	Belted loads

\* **Beltng data must be provided on all belted applications**

Standard horizontal motors can be mounted in a vertical shaft down orientation (except brakemotors). Contact a factory representative for shaft up mounting arrangements.

Marathon Electric motors employ the use of Mobil POLYREX® EM grease, a specially formulated bearing grease designed for electric motors. POLYREX® EM provides superior lubricity, durability and resists corrosion, rust and washout. POLYREX® EM is a registered trademark of Mobil Corporation.

Maximum safe mechanical speed capability is a function of bearing size, type and grease selection, as well as rotor balance specifications. Consult the "Maximum Safe Mechanical Speed Limits" chart in the "Overspeed Capability" section.

Note that these values do not imply maximum constant horsepower RPM.



## EFFICIENCY

The efficiency of a motor is the ratio of its useful power output to its total power input and is usually expressed in a percentage. Marathon Electric offers standard, high efficient EPA, and premium efficient (XRI®) ratings. Standard efficiency motors may only be used on applications that are exempt from EPA. The high efficient motor line is in compliance with the Energy Policy Act of 1992 (EPA) and/or Canadian efficiencies as set by NRCAN. The XRI® line is a premium efficiency line, which exceeds mandated efficiencies of EPA and /or NRCAN. Unless otherwise noted, XRI® premium efficient motors in this catalog meet NEMA Premium® the newly promoted efficiency levels by NEMA and the Consortium for Energy Efficiency (CEE).

## ELECTRICAL TYPE/STARTING METHOD

Motors in this catalog are capacitor start, split phase, permanent split capacitor, or three phase. Capacitor Start motors have high starting torque, high breakdown torque, and relatively low starting current. Split phase motors have medium starting torque and medium starting current. Permanent split capacitor motors have low starting torque and low starting current. Three phase motors have high starting, extra breakdown torque, and typically very low starting current. Single phase motors cannot be applied on variable frequency drives with three phase output.

## ENCLOSURE AND METHOD OF COOLING

Marathon Electric motors are available in various enclosures; Drip proof (DP), Drip proof Force Ventilated (DPFV), Totally Enclosed Fan Cooled (TEFC), Totally Enclosed Non-Ventilated (TENV), Totally Enclosed (TEAO) and Totally Enclosed Blower Cooled (TEBC). Application conditions will determine the type of motor enclosure required.

Drip proof motors have open enclosures and are suitable for indoor use and in relatively clean atmospheres. Drip proof motors have ventilating openings constructed so that drops of liquid or solid particles falling on the machine at an angle of not greater than 15 degrees from the vertical cannot enter the machine.

Totally enclosed motors are suitable for use in humid environments or dusty, contaminated atmospheres. Totally enclosed non-ventilated motors are NOT cooled by external means. Totally enclosed fan cooled motors are cooled by external means that are part of the motor but not in the internal workings of the motor. Totally enclosed air over motors are sufficiently cooled by external means, provided by the customer.

## HAZARDOUS DUTY

Hazardous Duty motors are totally enclosed (fan cooled or non-ventilated) motors designed for applications in hazardous atmospheres containing explosive gases and/or combustible dusts.

## North American installations

North American standards for electric motors generally fall into one of two divisions. Division 1 Explosion Proof motors are UL Listed in accordance with NFPA Class I (Flammable Gases) or Class II (Combustible Dusts) and Groups (gases or dusts), depending upon the atmosphere. Division 2 motors are CSA Certified and are marked similarly to Division 1 equipment. Inverter Duty motors through 449T are CSA Certified for use in Division 2 locations.

## European installations

Motors for hazardous locations in Europe must meet a different set of standards and require different markings than those of North America. CENELEC sets the standards for equipment in hazardous locations for Europe. Motors for explosive atmospheres in Europe are often referred to as flameproof or non-sparking motors. These motors must comply with the ATEX Directive. The ATEX Directive covers all electrical equipment used in explosive atmospheres. To ensure compliance with the Directive, equipment must meet the essential ATEX requirements and carry the CE mark on the nameplate. Other information required on the nameplate is the Ex symbol, group & category, date code, EEx, protection method, gas group, and temperature code. (Example: EEx d IIB T4 CE0359 Ex II 2 G/D 2004)

The tables on page 12 describe Marathon Electric's capabilities by Area Classification and by Temperature Code.

## IEC DEGREES OF PROTECTION vs. MARATHON ELECTRIC'S STANDARD CONSTRUCTION

The enclosure terminology for an IEC motor is a combination of the IP (Ingress Protection) and IC (Inherent Cooling) codes. Each number in the IP code stands for a different degree of protection.

- IP12 - Drip proof
- IP22 - Drip proof with screens, or die cast aluminum bracket
- IP43 - Totally Enclosed
- IP54 - Totally Enclosed Severe Duty
- IP55 - Totally Enclosed Severe Duty with V-Ring Shaft seals, and/or "Smart Ring" rotating shaft seal and Neoprene gaskets
- IP56 - Totally Enclosed Severe Duty with rotating Shaft seals (eg. Inpro/Seal VBX bearing isolator) and Neoprene gaskets

# Application Information

## Marathon Electric Hazardous Duty Motor Area Classification Chart

APPLICATION INFORMATION

Class I Area Classification (Flammable Gases, Vapors or Mists)				Class II Area Classification (Combustible Dusts)			
North America		Europe - ATEX (Category G - Gases)		North America		Europe - ATEX (Category D - Dusts)	
Division 1 Explosion Proof	Division 2 TEFC & TENV	Zone 1 Flameproof	Zone 2 Non-Sparking	Division 1 Explosion Proof	Division 2	Zone 21 Flameproof	Zone 22 Non-Sparking
Group A <sup>①</sup>	Group A	Group IIC, Category G <sup>①</sup>	Group IIC, Category G	-	-	-	-
Group B <sup>①</sup>	Group B	Group IIC, Category G <sup>①</sup>	Group IIC, Category G	-	-	-	-
Group C	Group C	Group IIB, Category G	Group IIB, Category G	-	-	-	-
Group D	Group D	Group IIA, Category G	Group IIA, Category G	-	-	-	-
-	-	-	-	Group E <sup>①</sup>	-	-	-
-	-	-	-	Group F	Group F <sup>①</sup>	Category D	-
-	-	-	-	Group G	Group G <sup>①</sup>	Category D	-

- Group is not applicable to that Division or Zone, or is not defined.
- ① Group is not available from Marathon Electric.

## Marathon Electric Hazardous Duty Motor Temperature Code Chart

	TEMPERATURE CODES		Division 1 Explosion Proof/Zone 1 Flameproof		Division 2/Zone 2 Non-Sparking
			Class I Area Classification (Flammable Gases, Vapors or Mists)	Class II Area Classification* (Combustible Dusts)	Class I Area Classification (Flammable Gases, Vapors or Mists)
Temp.	UL/CSA	ATEX	Division 1/Zone 1	Division 1/Zone 21	Division 2/Zone 2
280°C	T2A	T2(280)	Explosion Proof - Class I, Group D (Group C as noted)		
260°C	T2B	T2(260)			XRI® Severe Duty & IEEE-841 @ 1.15 S.F., Class I, Groups A,B,C,D (Sine wave power)
215°C	T2D	T2(215)			Available through Marathon's Mod Central on Totally Enclosed EPAct, XRI®, XRI® Severe Duty or IEEE-841 @ 1.0 S.F. on PWM VFD, Class I, Groups A, B, C, D
200°C	T3	T3			Available through Marathon's Mod Central on Totally Enclosed EPAct, XRI®, XRI® Severe Duty or IEEE-841 @ 1.0 S.F., Sine wave power Class I, Groups A, B, C, D
165°C	T3B	T3(165)	Explosion Proof - Class I, Group D (Group C as noted), Sine wave or PWM power	Explosion Proof - Class II, Groups F & G, Sine wave or PWM power	
160°C	T3C	T3(160)	Available through Marathon's Mod Central on Explosion Proof - Class I, Group C & D @ 1.0 S.F. - Contact Factory	Available through Marathon's Mod Central on Explosion Proof - Class II, Group F & G @ 1.0 S.F. - Contact Factory	
135°C	T4	T4	ATEX compliant motors	ATEX compliant motors	

\* Class II, Division 2 motors are not available from Marathon Electric, Zone 22 groups are not defined by ATEX.

## INSULATION SYSTEMS

**Class B** – General Purpose motors that employ Class B insulation systems have a total temperature rating of 130°C and maximum allowable temperature rise of 80°C at 1.0 S.F.

**Class F** – Motors with a Class F system have a total temperature rating of 155°C, with a maximum temperature rise of 105°C at 1.0 S.F. Many Marathon Electric designs utilize a Class F system but limit temperature rise to no higher than "B" rise, providing thermal "headroom" for longer insulation life.

**Class H** – Class H insulated motors have a total temperature rating of 180°C and maximum allowable temperature rise of 125°C. All Marathon Electric motors that employ a Class H system are designed to operate between "B" and "F" rise, giving the user a generous thermal cushion.

**"CR<sup>200</sup>"** – Corona Resistant, 200° rated magnet wire is utilized in numerous general purpose and inverter duty motor designs to extend insulation life under the rigors of steep fronted voltage spikes, common with today's IGBT inverters. Refer to page 14 for product lines that employ the use of CR<sup>200</sup> magnet wire.

Motors with the CR<sup>200</sup> insulation system can be operated at up to 475 feet from the drive on 460 volt systems, at 3 KHz carrier frequency. For other voltages and/or carrier frequency combinations, contact a factory representative.

**MAX GUARD®** – All Black Max®, Blue Max®, Blue Chip®, XRI® Severe Duty and XRI®-841 (IEEE841) motors feature the MAX GUARD® insulation system, either in conjunction with Class F or Class H materials. Combining corona-resistant magnet wire (CR<sup>200</sup>) with our patented "low stress" winding configuration and uncompromising quality standards, MAX GUARD® delivers long, dependable motor life under the adverse thermal and dielectric stresses imposed by IGBT-based variable frequency drives. **MAX GUARD® surpasses the requirements of NEMA MG1-2003, Part 31, Section 4.4.2.**

**460 Volt (or lower) motors equipped with MAX GUARD® can be operated at any distance from the drive and at any carrier frequency. 575 Volt motors can be operated at up to 650 feet cable length at 3 KHz.**

## MOUNTING

Most Marathon Electric motors are designed for horizontal mounting (shaft parallel with ground), unless designed otherwise, such as Vertical P Base motors. As a general rule, a horizontal motor can also be mounted in a vertical shaft down orientation. Horizontal motors should never be mounted in a vertical shaft up orientation without consulting your application engineer, as this practice can cause damage to the motor, which is not covered under warranty. Brakemotors should not be mounted vertically (up or down), unless the brake has been specifically designed for such.

## NEMA SERVICE FACTOR RATINGS

The table below lists the NEMA service factors for single phase, dripproof motors. Totally enclosed and explosion proof motors have 1.0 service factor except where noted.

### Single Phase

#### NEMA SERVICE FACTOR @ RPM LISTED

HP	3600	1800	1200	900
1/12	1.4	1.4	1.4	1.4
1/8	1.4	1.4	1.4	1.4
1/6	1.35	1.35	1.35	1.35
1/4	1.35	1.35	1.35	1.35
1/3	1.35	1.35	1.35	1.35
1/2	1.25	1.25	1.25	1.15
3/4	1.25	1.25	1.15	1.15
1	1.25	1.15	1.15	1.15
1.5 & Up	1.15	1.15	1.15	1.15

## OVERLOAD PROTECTION

There are four choices in protection: manual (inherent type), automatic (inherent type), thermostats, and none. A manual overload must be physically reset to restart the motor. An automatic thermal overload will stop the motor when it is overloaded or overheated and restart it after the motor has cooled down. None means the motor has no protection. Thermostats are embedded in the winding and connected to the motor starter control circuit. Marathon Electric's standards are normally closed thermostats, one per phase.



**A motor with an automatic reset protector must not be used where automatic restarting (after motor cool-down) would endanger personnel or equipment. Such applications should use a manual reset protector.**

## PHASE/POWER SUPPLY

Is the power supply three phase or single phase? Most home and farm applications require single phase motors. While most factories, large commercial and industrial users require three phase motors. Single phase motors can be used on three phase systems. Three phase motors, however, cannot be operated from single phase systems. Motor damage will result.

## ROTATION

Most motors in this catalog are reversible by electrical reconnection or by physical orientation. Marathon Electric's standard rotation from the factory for single phase motors is counterclockwise, when viewing the opposite shaft end of the motor

## SPEED/RPM

3600, 1800, and 1200 are the most common 60 HZ synchronous speeds with full load speed equivalents of 3450, 1725, and 1150.

# Variable Speed Operation

Guidelines for Application of General Purpose, Three Phase, Single Speed Motors on Variable Frequency Drives Meets NEMA MG1-2003 Part 30 and Part 31 Section 4.4.2 Unless stated otherwise, motor nameplates do NOT include listed speed range.

VARIABLE SPEED OPERATION

ENCLOSURE	EFFICIENCY	VARIABLE TORQUE	CONSTANT TORQUE								
		ALL FRAMES	56	143-215		254-286		324-365		404-449	
NEMA Motors		ALL POLES	ALL POLES	2-Pole	4&6 Pole	2-Pole	4&6 Pole	2-Pole	4&6 Pole	2-Pole	4&6 Pole
ODP	Standard (EPAAct exempt)	10:1	2:1	2:1	2:1	Contact Engineering					
	EPAAct compliant	10:1	N/A	2:1	2:1	2:1	2:1	Contact Engineering			
	NEMA Premium (XRI)	10:1	N/A	10:1	10:1	10:1	10:1	10:1	10:1	2:1	2:1
TEFC	Standard (EPAAct exempt)	10:1	2:1	2:1	2:1	Contact Engineering					
	EPAAct compliant	10:1	N/A	2:1	10:1	2:1	10:1	2:1	2:1	2:1	2:1
	NEMA Premium (XRI)	10:1	N/A	2:1	20:1	2:1	20:1	2:1	20:1 (1)	2:1	20:1 (1)
TENV	EPAAct compliant	10:1	N/A	1000:1	1000:1	1000:1	1000:1	1000:1	1000:1	1000:1	1000:1
	NEMA Premium (XRI)	10:1	1000:1	1000:1	1000:1	1000:1	1000:1	1000:1	1000:1	1000:1	1000:1
Washdown TEFC	Standard (EPAAct exempt)	10:1	10:1 (2)	10:1 (2)	10:1 (2)	N/A	N/A	N/A	N/A	N/A	N/A
	EPAAct compliant	10:1	N/A	10:1 (2)	10:1 (2)	N/A	N/A	N/A	N/A	N/A	N/A
Washdown TENV	Standard (EPAAct exempt)	10:1	1000:1	1000:1	1000:1	N/A	N/A	N/A	N/A	N/A	N/A
	EPAAct compliant	10:1	N/A	1000:1	1000:1	N/A	N/A	N/A	N/A	N/A	N/A
Explosion Proof	All efficiency levels	Explosion Proof motors must be properly nameplated with inverter duty information prior to use on VFD. See Marathon catalog pages for specific rating capabilities. Motors with automatic overload protectors cannot be used on VFDs.									
IEC Motors		ALL FRAMES	63-90	100-225							
All Enclosures	All efficiency levels	10:1	20:1	Up to 20:1							

Notes: (1) 324-449T, 4 & 6 Pole XRI motors are rated for 20:1 C.T. with fan modification; otherwise rated for 2:1 C.T. continuous or 20:1 C.T. 60 minute duty at lowest RPM.  
 (2) Washdown TEFC motors are rated for 10:1 C.T. 60 minute duty or 2:1 C.T. continuous duty at lowest RPM.

## Application Notes

- Bearing currents** Marathon Electric recommends that any motors used with Variable Frequency Drives be equipped with suitable means to protect the motor bearings from shaft currents caused by common mode voltages inherent with operation on a non-sinusoidal power supply. Marathon Electric offers several options for motors in non-classified (non-hazardous) locations, including ground brushes, insulated bearings and non-contact shaft grounding rings. For more information on ground brushes and bearing currents, see the VARIABLE SPEED OPERATION section. For installation cost and available options, see the MOD CENTRAL section.
- Restricted use** DO NOT APPLY THE FOLLOWING MOTORS ON VARIABLE FREQUENCY DRIVES:  
 Single Phase motors, Motors with inherent overload protection, Multi-Speed motors, Motors with 1.0 Service Factor on sine wave power.
- Hazardous Locations** Consult with Marathon Electric when applying motors and drives into Hazardous Locations, either Division/Zone 1 or Division/Zone 2 areas. UL and CSA policies prohibit the installation of bearing protection devices, such as shaft grounding brushes, rings or insulated bearings on motors in Hazardous Locations.

## Maximum Cable Lengths from the Motor to Drive

PRODUCT DESCRIPTION	3 HKz CARRIER FREQUENCY (PHASE TO PHASE)*		
	230 VOLT	460 VOLT	575 VOLT
56-326 NEMA, 100-225 IEC Frames	600 ft.	125 ft.	40 ft.
364-5013 NEMA, 250-315 IEC Frames	1000 ft.	225 ft.	60 ft.
Motors with CR <sup>200</sup> Corona Resistant Magnet Wire	1500 ft.	475 ft.	140 ft.
Motors with MAX GUARD <sup>®</sup> insulation system	Unlimited	Unlimited	650 ft.
Form-wound low voltage motors	Unlimited	Unlimited	650 ft.

\* Higher carrier frequencies require shorter cable length to obtain normal (50Khrs) insulation life.

## Standard Motor Insulation Systems

CR200 CORONA-RESISTANT MAGNET WIRE	Max Guard*
microMAX inverter duty	Black Max Vector Duty
"4 - in - 1" Three Phase, C-Face with Removable Base	Blue Max Vector Duty
Standard Three Phase stock Brakemotors	Three Phase PowerWash XT and SXT washdown
Blue Chip Severe Duty Explosion Proof,	Blue Chip XRI Severe Duty
EPACT Efficiency	Blue Chip XRI-841 (IEEE841 compliant)
	Automotive Duty "T" Frame
	Blue Chip Explosion Proof, XRI Premium Efficiency
	Globetrotter IEC Metric motors



## VARIABLE SPEED INFORMATION

Marathon Electric Vector-Duty and Inverter-Duty motors, unless otherwise stated, are rated for continuous operation in a 40°C ambient and for altitudes up to 3300 feet (1000 meters) above sea level. Special application considerations, such as high or low ambient, intermittent ratings, high altitude, duty cycle rated, extended constant horsepower range, special base speed, voltage or frequency, or any other special requirements, should be reviewed by a factory representative.

It is the responsibility of the startup personnel during commissioning of the VFD/motor system to properly tune the drive to the motor for the specific application. The correct voltage boost and volts/hertz settings are application dependent and unique to each motor design. Procedures for these adjustments should be in your VFD user manual. Many Vector Duty and Inverter Duty motors in this catalog are equipped with thermostats; warranty coverage may be denied if they are not properly utilized.

**⚠ WARNING** *Power factor correction capacitors should never be installed between the drive and the motor.*



## INVERTER DUTY OR INVERTER RATED

“Inverter Duty” (often called “Inverter Rated”) motors are suitable for use with Variable Frequency Drives, as long as operation is within the application guidelines published in this catalog. In general, Marathon Electric’s three phase, general purpose, NEMA Design B motors are considered “Inverter Duty”, and meet or exceed the requirements of NEMA MG1, Part 30. As required under Federal law, these motors comply with EPAAct efficiencies when operating from utility power.

Many of Marathon’s motor product lines have been enhanced to facilitate reliable operation on today’s variable speed drives, including wider constant torque speed range (up to 20:1) and improved insulation systems that withstand voltage spikes common with variable frequency operation.

Inverter Duty (Rated) motors are most often used in 10:1 speed range, variable torque or constant torque applications. A vector control is usually required for operation beyond 10:1 CT.

Refer to “Guidelines for Application of General Purpose, Single Speed Three Phase Motors on Variable Frequency Drives” in this section of this catalog for the allowable speed range and cable length restrictions (from VFD to motor). Additional detail regarding a specific product’s capabilities is available on its catalog page, or by consulting your application engineer.

**VECTOR DUTY** – “Vector Duty” describes a class of motors that are used in conjunction with Open- (without encoder) or Closed-Loop (with encoder) Vector controls, that provide enhanced performance under low speed operating conditions, or in cases where torque (rather than speed) must be controlled. “Vector Duty” motors can be applied to Volts/Hertz (scalar) drives, as well.

Marathon Electric’s “MAX” family, consisting of Blue Max®, Black Max® and microMAX™ motors, have been specifically designed for optimal operation on vector or volts/hertz controls. These motors feature a wide constant torque (up to 2000:1) and/or constant horsepower (up to 4:1) speed range and are performance-matched to all current technology IGBT drives. Vector Duty motors meet or exceed the requirements of NEMA MG1, Part 31, and are equipped with an enhanced insulation system (MAX GUARD® or CR<sup>200</sup>) to provide many years of trouble-free service. Consult the catalog page for each product’s capabilities and features. As these motors are specifically designed for operation through an inverter, they are exempt from EPAAct legislation. Model numbers contain the letter “H” in the “Electrical Type” field.

**VARIABLE TORQUE LOADS** – Applications include fans, blowers and centrifugal pumps. Torque varies as the square of the speed, and horsepower as the cube of the speed. Operation below base speed significantly lightens the load on the motor. While most variable torque applications do not require the motor to operate below half speed, the motor is fully capable of operation to zero speed. Operation above base speed significantly adds to the load on the motor; therefore, a factory representative must review applications requiring variable torque above base speed. Refer to the application chart found on page 14 for use of general purpose three phase motors on variable frequency drives. Marathon’s microMAX™, Black Max® or Blue Max® motors are not necessarily required for operation of variable torque loads. A bypass circuit is often employed in Variable Torque applications. If this device is intended to be used, selection of a NEMA Design B motor is recommended, to withstand the inrush current during across-the-line starting.

**CONSTANT TORQUE LOADS** – Applications include conveyors, elevators, hoists, extruders, positive displacement pumps, mixers and converting equipment. Torque remains constant throughout the range of operation, and extra care should be taken in the proper application of motors, especially at very low speeds. Most constant torque applications don’t require operation below 10:1 (i.e. 6 Hz operation on a 60 Hz motor), but an increasing number of applications historically reserved for servo and/or stepper systems are being served with motors capable of operation beyond 20:1...even up to 2000:1 (zero speed, constant torque). Refer to the application chart found on page 14 for use of general purpose three phase motors on variable frequency drives.

Continued on next page.

# Variable Speed Operation

## CONSTANT TORQUE LOADS (Cont'd.)

Applications requiring greater than 20:1 C.T. are ideal for microMAX™, Black Max® or Blue Max® motors. These motors provide full rated torque within their listed speed range, without exceeding a Class F temperature rating while under inverter power (many operate at Class B). Ratings in this catalog have been developed, based on extensive testing on IGBT inverters, set at a minimum 3 KHz (or equivalent) carrier frequency.

Vector Duty and Inverter Duty motors from Marathon Electric are designed for operation at 150% of rated load for one minute, up to the base speed of the motor (overload capability declines to 100% as the motor reaches maximum constant HP speed). These motors accommodate constant horsepower operation to 1-1/2 to 2 times base speed, subject to the motor's maximum safe mechanical speed limit. Refer to the Maximum Safe Mechanical Speed Chart, as well as the performance section for each motor's capability.

Motors rated for zero RPM continuous duty (1000:1 or 2000:1) must be powered by vector drives to produce rated torque without overheating. Optimum zero speed and low-speed full torque performance may require a closed loop vector drive (with encoder feedback).

**CONSTANT HORSEPOWER LOADS** – Applications include coil winders, band saws, grinders, and turret lathes. Operation requires the motor to deliver the same horsepower rating, regardless of shaft speed. Torque increases at low speed and decreases at higher speed. Most general purpose motors can deliver constant horsepower up to 1 1/2 times base speed (consult a factory representative to verify performance). However, many constant HP applications require operation to twice base speed, and some, such as coil winders, up to 4 times base speed. microMAX™, Black Max® and Blue Max® motors are designed for 1 1/2 to 2 times base speed, and the Wide CHP motors, found in Marathon's SB371 Catalog, deliver up to 4 times constant horsepower performance.

**BEARING CURRENTS** – As stated in NEMA MG1-31.4.4.3, to protect a motor from inverter-sourced shaft voltages, either both bearings must be insulated or the motor shaft must be effectively grounded. Marathon Electric offers several effective means to protect the bearings from inverter sourced EDM (electrical discharge machining). A Shaft Grounding device is standard in Blue Max® motors, in frame sizes 444T and larger. Insulating the motor bearings will not prevent damage to bearings of a connected load, and insulated couplings should be employed to protect the load. Adding a ground brush to a motor with insulated bearings will divert motor shaft currents and help protect the bearings of the connected load. At this time, UL policy prohibits the use of ground brushes or insulated bearings in Hazardous Locations (Div 1 & 2, Zones 1, 2, 21 & 22).

**MOTOR GROUNDING** - Frames and accessories of all motors must be grounded in accordance with the National Electric Code (NEC) Article 430. Refer to NEC Article 250 for

general information on grounding. Proper grounding of inverter-driven motors is essential to protect personnel and livestock from inverter-sourced common mode voltages, which may reach hazardous levels on the frame of ungrounded or poorly grounded motors.

**LOW INPUT VOLTAGE** – If, due to lower utility supply voltage, the input voltage from the VFD to the motor is lower than the motor's rated voltage, de-rating of the motor's base frequency, horsepower, full load RPM, and constant HP RPM is required. The revised values can be calculated by multiplying by the ratio of the voltage change. For example, to operate a 460 volt motor from an inverter fed by 50 or 60 HZ, 400 volt utility power, the multiplier is 400/460 or 0.87. The VFD can be reprogrammed to match the new base point values, allowing the motor to provide rated torque at rated current from the new base speed down to its original minimum Constant torque speed. The motor's CHP range will begin at the new base frequency and will be shortened by the same ratio as described above.

**OVERSPEED CAPABILITY** – Maximum safe mechanical speed capability is a function of bearing size and type, lubrication, rotor balancing technique and specifications, air gap, enclosure, frame construction and connection to the driven load. In addition, consideration must be given to ambient noise levels, as operation above base speed will increase motor noise and vibration, and reduce bearing life. Under no circumstances should bearing hub temperature exceed 100° C. Belted loads should not exceed 60 Hz operating RPM by more than 25% (NEMA "TS" shafts are not suitable for belted loads). Due to external cooling fans, TEFC (and Explosion Proof Fan Cooled) motors are limited to 4000 RPM maximum speed.

Marathon Electric, through extensive testing in our state-of-the-art laboratory and in actual field experience, has developed a number of high speed motors whose maximum safe mechanical speed exceeds the values in the table below. The following table depicts maximum safe speed limits for continuous operation, direct-coupled, non-explosion proof motors, and does not imply constant horsepower capability. Please consult a factory representative for requirements beyond those listed, or for intermittent duty limits.

**Maximum Safe Mechanical Speed Limits (ODP, TENV, DPFV OR TEBC ENCLOSURES) 60 Hz base frequency**

Frame Size	2-Pole	4, 6 or 8-Pole
56-184	7200	5400
213-256	5400	4200
284-286	5400	3600
324-326	4000	3600
364-365	4000	2800
404-449	3600	2800
5000 Fr	N/A	CALL
6800 Fr	N/A	CALL

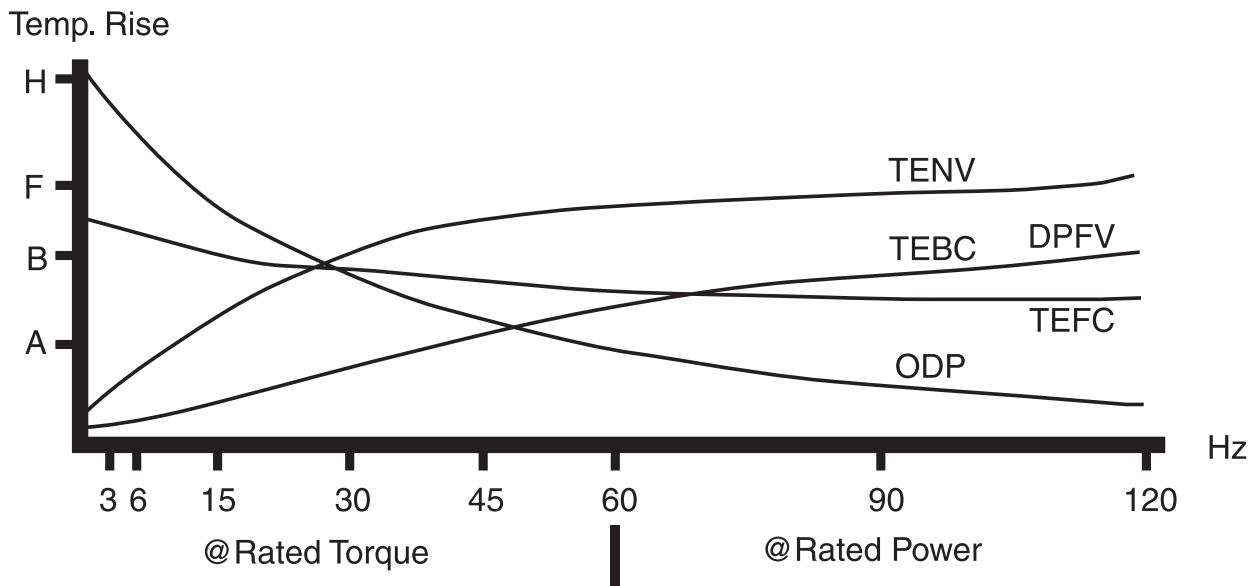
VARIABLE SPEED OPERATION

## OTHER APPLICATION CONSIDERATIONS –

For proper selection, the following should be considered:

- Horsepower or torque requirements at various speeds.
- Desired speed range of the load and motor.
- Acceleration and deceleration rate requirements of the process being controlled.
- Starting requirements including the frequency of starting and a description of the load (reflected inertia at the motor, load torque during starting).
- Whether the application is a continuous process or duty cycle of starts, stops and speed changes.
- A general description of the type of application including the environment in which the VFD system components must operate (determines motor enclosure and/or explosion proof classification).
- Description of the available electrical power supply and wiring.
- Special performance requirements, if any.
- Whether the drive will be configured with a by-pass circuit. In case of its deployment, the motor will operate like its fixed speed counterpart and may require a NEMA B design which limits in-rush current, or selection of a larger motor starter or other protective circuitry.
- Load sharing
- Mounting and other mechanical considerations

## Typical Temperature Rise Of Various Enclosures



VARIABLE SPEED OPERATION

## Application Information

### TERMINOLOGY

**Ambient Temperature** – Temperature of the medium, such as air, water or earth, into which the heat of the equipment is dissipated.

**Ampere (AMP)** - A measure of the rate of current through the motor.

**Base Speed** – Nameplate rating where the motor will develop rated HP at rated load and voltage. With AC systems, it is commonly the point where 60 Hz is applied to the induction motor.

**Breakaway Torque** – The torque required to start a machine from standstill.

**Breakdown Torque (BDT)** – The maximum torque that an AC motor will develop with rated voltage applied at rated frequency while rotating.

**Cogging** – A condition in which a motor does not rotate smoothly but "steps" or "jerks" from one position to another during shaft revolution. Cogging is most pronounced at low motor speeds and can cause objectionable vibrations in the driven machine.

**Continuous Duty** – The continuous rating is the maximum constant load that can be carried continuously without exceeding established temperature rise limitations under prescribed conditions of load and within the limitations of established standards.

**Definite Purpose Motor** – Any motor design, listed and offered in standard ratings with standard operating characteristics and mechanical construction, for use under service conditions other than usual or for use on a particular type of application (NEMA).

**Duty Cycle** – The relationship between the operating and resting times or repeatable operation at different loads and/or speeds.

**Efficiency** – Ratio of power output to power input indicated as a percentage. In motors, it is the effectiveness with which a motor converts electrical power into mechanical power.

**Frequency** – Number of cycles per second of alternating current 60HZ used primarily in the United States, 50HZ normally used overseas.

**Full Load Torque (FLT)** – The torque necessary to produce rated horsepower at full load speed.

**General Purpose Motor** – This motor has a continuous duty rating and NEMA A or B design, listed and offered in standard ratings with standard operating characteristics and mechanical construction for use under usual service conditions without restriction to a particular application or type of application (NEMA).

**Inertia** – A measure of a body's resistance to changes in velocity, whether the body is at rest or moving at a constant velocity. The velocity can be either linear or rotational. The moment of inertia ( $WK^2$ ) is the product of the weight (W) of an object and the square of the radius of gyration ( $K^2$ ). The radius of gyration is a measure of how the mass of the object is distributed about the axis of rotation.  $WK^2$  is usually expressed in units of lb-ft<sup>2</sup>.

**Intermittent Duty** – A motor that never reaches equilibrium temperature, but is permitted to cool down (to ambient temperature) between operations. For example, a crane, hoist or machine tool motor is often rated for 15, 30 or 60 minute duty.

**Load Sharing** – An application condition in which two or more similar-sized AC Induction motors are mechanically connected to each other and powered from the same inverter. Optimum load sharing is achieved with higher slip (NEMA Design B or C) motors.

**Locked Rotor Current (LRA)** – Steady state current taken from the line with the rotor at standstill, at rated voltage and frequency. This is the current when starting the motor and load across the line.

**Locked Rotor Torque (LRT)** – The minimum torque that a motor will develop at rest for all angular positions of the rotor, with rated voltage applied at rated frequency.

**No Load (Conditions)** – The state of a machine rotating at normal speed under rated conditions, but when no output is required from it.

**Power Factor** – Power factor is the ratio of real power (kW) to total kVA, or the ratio of actual power (W) to apparent power (volt-amperes).

**Reactance** – The opposition to the flow of current made by an induction coil or a capacitor. Performance data expresses stator reactance as X1 and rotor reactance as X2.

**Resistance** – The opposition to voltage or current in an electrical circuit. Performance data expresses stator resistance as R1 and rotor resistance as R2.

**Rotor** – The rotating member of a machine with a shaft.

**Service Factor (SF)** – When used on a motor nameplate, a number which indicates how much above the nameplate rating a motor can be loaded intermittently without causing serious degradation (i.e. a motor with 1.15 SF can produce 15% greater torque than one with 1.0 SF, within temperature constraints).



## TERMINOLOGY

**Shock Load** – The load seen by a clutch, brake or motor in a system that transmits high peak loads. This type of load is present in crushers, separators, grinders, conveyors, winches and cranes.

**Slip** – The difference between the speed of the rotating magnetic field (synchronous speed) and mechanical rotational speed (rotor speed) of AC induction motors. Usually expressed as a percentage of synchronous speed.

**Special Purpose Motor** – A motor with special operating characteristics, special mechanical construction, or both, designed for a particular application and not falling within the definition of a general purpose or definite purpose motor (NEMA).

**Speed Range** – The minimum and maximum speeds at which a motor must operate under constant or variable torque load conditions. A 50:1 speed range for a motor with top speed of 1800 RPM means the motor must operate as low as 36 RPM and still operate within specifications.

**Starting Torque** – The torque exerted by the motor during the starting period.

**Stator** – The stationary portion of the magnetic circuit and the associated windings and leads of a rotating machine.

**Synchronous Speed** – The speed of an AC induction motor's rotating magnetic field. It is determined by the frequency applied to the stator and the number of magnetic poles present in each phase of the stator windings. Mathematically, it is expressed as Sync Speed (RPM) = 120 x Applied Frequency (Hz)/Number of Poles per phase.

**Torque** – A turning force applied to a shaft, tending to cause rotation. Torque is normally measured in "pound-feet" and is equal to the force applied times the radius through which it acts.

**Torque-to-Inertia Ratio** – The rated motor torque divided by its rotor inertia. Helps determine a motor's ability to accelerate loads and/or respond to commands from a drive to change speed or direction.

## FORMULAS & CONVERSION FACTORS

$$\text{Torque (lb-ft)} = \frac{\text{HP} \times 5250}{\text{RPM}}$$

$$\text{HP} = \frac{\text{Torque (lb-ft)} \times \text{RPM}}{5250}$$

$$\text{Synchronous RPM} = \frac{120 \times \text{Frequency}}{\# \text{ Poles}}$$

$$\text{Ohms} = \text{Volts} / \text{Amperes} (R = E/I)$$

$$\text{Amperes} = \text{Volts} / \text{Ohms} (I = E/R)$$

$$\text{Volts} = \text{Amperes} \times \text{Ohms} (E = IR)$$

$$\text{Newton-meters (torque)} = 1.3558 \times \text{lb-ft}$$

$$\text{Pound-feet (torque)} = .7376 \times \text{Newton-meters}$$

$$\text{Horsepower} = 746 \text{ watts} (.746 \text{ KW})$$

$$\text{Kilowatts (KW)} = 1.341 \times \text{Horsepower}$$

$$\text{Temperature (° Celsius)} = 5/9 \times (°\text{F} - 32)$$

$$\text{Temperature (° Fahrenheit)} = (9/5 \times °\text{C}) + 32$$

# General Purpose, Single Phase

## Dripproof, Rigid Base, (NEMA Service Factor)



**Applications:** General purpose use on compressors, pumps, conveyors, blowers, and other machinery requiring high starting torque in environments that are relatively clean and dry.

- Features:**
- Heavy gauge steel frame and base
  - Capacitor start design for high starting torque
  - NEMA Service Factors
  - UL Recognized and CSA Certified

HP	RPM	VOLTS	FRAME	OVER LOAD	CAT. NO.	MODEL NO.	LIST PRICE	MULT. SYMB.	SERVICE FACTOR	F.L. AMPS	APPROX. WEIGHT. LBS.	"C" DIM.	FOOT NOTES
<b>1/4</b>	1800	115/208-230	48	MANUAL	G078★	48C17D2034	\$189	F1	1.35	5.0/2.3-2.5	17	9.84	2
	1800	115/208-230	48	NONE	G076★	48C17D2033	\$175	F1	1.35	5.0/2.3-2.5	17	9.84	2
	1200	115/208-230	56	NONE	G997	-----	\$276	F1	1.35	6.6/3.1-3.3	17	11.72	2
<b>1/3</b>	3600	115/208-230	48	NONE	G091	48C34D2025	\$151	F1	1.15	4.4/2.2-2.2	16	10.09	2
	1800	115/208-230	56	NONE	G093★	56C17D2087	\$212	F1	1.35	6.4/3.0-3.2	18	10.22	2
	1800	115/208-230	56	AUTO	G094★	56C17D2009	\$220	F1	1.35	6.4/3.0-3.2	18	10.22	2
	1800	115/208-230	56	MANUAL	G095★	56C17D2010	\$226	F1	1.35	6.4/3.0-3.2	18	10.22	2
	1200	115/208-230	56	NONE	G096★	56C11D2032	\$316	F1	1.15	8.0/3.8-4.0	24	11.97	2
<b>1/2</b>	3600	115/208-230	48	NONE	G098★	48C34D2023	\$168	F1	1.25	8.4/3.8-4.2	18	10.34	2
	1800	115/208-230	56	AUTO	G911★	56C17D2012	\$259	F1	1.25	8.6/4.1-4.3	22	11.72	2
	1800	115/208-230	56	MANUAL	G912★	56C17D2013	\$266	F1	1.25	8.6/4.1-4.3	23	11.72	2
	1800	115/208-230	56	NONE	G910★	56C17D2011	\$237	F1	1.25	8.6/4.1-4.3	22	11.72	2
	1200	115/208-230	56	NONE	G913★	56C11D5301	\$405	F1	1.25	10.6/5.1-5.3	30	11.82	2,7
<b>3/4</b>	3600	115/208-230	56	NONE	G915★	56C34D2100	\$218	F1	1.25	9.6/4.4-4.8	21	10.97	2
	1800	115/208-230	56	MANUAL	G919★	56B17D2010	\$324	F1	1.25	11.0/5.5-5.5	25	11.47	1
	1800	115/208-230	56	AUTO	G918★	56B17D2009	\$317	F1	1.25	11.0/5.5-5.5	25	11.47	1
	1800	115/208-230	56	NONE	G917★	56B17D2008	\$297	F1	1.25	11.0/5.5-5.5	26	11.47	1
	1200	115/208-230	56	NONE	G930★	56C11D5302	\$518	F1	1.15	12.8/6.3-6.4	38	12.44	2,7
<b>1</b>	3600	115/208-230	56	NONE	G932★	56B34D2030	\$247	F1	1.25	10.6/5.5-5.3	23	11.72	1
	1800	115/208-230	56	AUTO	G935★	56C17D5304	\$341	F1	1.15	13.4/6.8-6.7	29	11.44	2,7
	1800	115/208-230	56	NONE	G934★	56C17D5303	\$316	F1	1.15	13.4/6.8-6.7	30	11.44	2,7
	1800	115/208-230	56	MANUAL	G936★	56C17D5305	\$353	F1	1.15	13.4/6.8-6.7	29	11.44	2,7
	1800	115/208-230	143T	NONE	I110★	143TCDR5326	\$321	S1	1.15	13.4/6.8-6.7	33	11.49	2,7
	1200	115/230	182T	NONE	I141	188TCDR17079	\$537	S1	1.15	15.0/7.5	87	15.72	2
<b>1 1/2</b>	3600	115/208-230	56	NONE	G937★	56B34D2026	\$330	F1	1.15	14.8/8.0-7.4	25	11.72	1
	3600	115/208-230	56	MANUAL	D018★	56B34D133	\$345	F1	1.15	14.8/8.0-7.4	25	11.72	1
	3600	115/208-230	56	AUTO	G986	-----	\$342	F1	1.15	14.8/8.0-7.0	27	11.72	1
	3600	115/208-230	143T	NONE	I101	143TCDR5303	\$342	S1	1.15	18.8/9.7-9.4	30	10.99	2,7
	1800	115/208-230	56H	MANUAL	G951★	56C17D5308	\$414	F1	1.15	18.0/9.3-9.0	40	12.44	2,5,7
	1800	115/208-230	56H	NONE	G939★	56C17D5306	\$382	F1	1.15	18.0/9.3-9.0	40	12.44	2,5,7
	1800	115/208-230	56H	AUTO	G950★	56C17D5307	\$397	F1	1.15	18.0/9.3-9.0	40	12.44	2,5,7
	1800	115/208-230	145T	NONE	I111★	145TCDR5326	\$388	S1	1.15	18.0/9.3-9.0	41	12.49	2,7
	1200	115/230	184T	NONE	I142	184TCDR7076	\$668	S1	1.15	23.0/11.5	72	15.72	2
<b>2</b>	3600	115/208-230	56H	NONE	G952★	56B34D5321	\$397	F1	1.15	19.2/10.5-9.6	35	11.44	1,5,7
	3600	115/208-230	56H	MANUAL	D012★	56B34D5318	\$432	F1	1.15	19.2/10.5-9.6	35	11.44	1,5,7
	3600	115/208-230	56H	AUTO	K073	-----	\$417	F1	1.15	19.2/10.5-9.6	35	11.44	1,5,7
	3600	115/208-230	145T	NONE	I102★	145TBDR5302	\$408	S1	1.15	19.2/10.5-9.6	40	11.49	1
	1800	115/208-230	145T	NONE	I118★	145TBDR5326	\$405	S1	1.15	21.0/11.3-10.5	49	13.49	1,7
	1800	115/208-230	145T	MANUAL	I127★	145TBDR5337	\$497	S1	1.15	18.8/10.2-9.4	50	13.49	1,7
	1800	115/208-230	182T	NONE	I112★	182TCDR7026	\$453	S1	1.15	23.0/12.0-11.5	65	13.72	2
	1200	115/208-230	213T	NONE	I143	213TCDW7076	\$830	S1	1.15	30.0/15.5-15.0	138	16.55	2
	<b>3</b>	3600	208-230	145T	NONE	I145	145TBDR5303	\$442	S1	1.00	13.5-12.5	36	11.99
3600		115/208-230	182T	NONE	I103★	182TCDR7001	\$509	S1	1.15	32.0/17.5-16.0	57	13.22	2
1800		115/208-230	184T	NONE	I113★	184TCDR7026	\$529	S1	1.15	33.0/17.5	78	15.22	2,CF
1200		230	215T	NONE	I144	215TBDW7079	\$1,143	S1	1.15	16.0	156	18.05	1

★ Stock Model

Continued on next page.

**Footnotes:**

- CF Consult Factory for Accessory Kits and/or Modification Selection 5 56H, 143T, and 145T Combination Base with 12 mounting holes  
 1 Capacitor Start/Capacitor Run design for reduced amperage 7 Will accept C-Face kit, see Accessory Section  
 2 Capacitor Start Induction Run design

## General Purpose, Single Phase Dripproof, Rigid Base, (NEMA Service Factor)

HP	RPM	VOLTS	FRAME	OVER LOAD	CAT. NO.	MODEL NO.	LIST PRICE	MULT. SYMB.	SERVICE FACTOR	F.L. AMPS	APPROX. WEIGHT. LBS.	"C" DIM.	FOOT NOTES
<b>5</b>	3600	230	56H	MANUAL	D017★	56B34D5302	\$599	F1	1.15	20.0	55	13.94	1,5
	3600	208-230	184T	NONE	I104★	184TCDR7001	\$684	S1	1.15	27.0-24.0	78	14.72	2
	1800	208-230	184T	NONE	I114★	184TBDB7026	\$642	S1	1.15	23.0-21.0	87	15.72	1,DS
	1800	208-230	213T	NONE	I117★	213TCDW7026	\$874	S1	1.15	30.5-28.0	114	16.55	2
<b>7-1/2</b>	3600	208-230	184T	NONE	I108★	184TBDR7001	\$947	S1	1.15	34.3-31.0	110	16.69	1,CF
	3600	208-230	213T	NONE	I105★	213TCDW7001	\$974	S1	1.15	40.0-37.0	112	16.55	2
	1800	208-230	215T	NONE	I115★	215TBDW7026	\$961	S1	1.15	37.2-34.5	118	18.05	1
<b>10</b>	3600	208-230	215T	NONE	I106★	215TCDW17002	\$1,249	S1	1.15	51.0-46.0	185	18.05	2
	1800	208-230	215T	NONE	I116★	215TBDW7028	\$1,237	S1	1.15	49.0-44.0	140	19.30	1,7

★ Stock Model

## General Purpose, Single Phase Dripproof, Rigid Base, (1.0 Service Factor)

**Applications:** Special purpose use on belt drive fans, blowers, coolers, tools, and other machinery requiring low to moderate starting torque and where power requirements do not exceed nameplate ratings. Dripproof motors are intended for use in environments that are relatively clean and dry.

- Features:**
- All angle sleeve or ball bearings, as noted
  - Heavy gauge steel frame and base
  - Economical split phase or capacitor start designs
  - UL Recognized and CSA Certified



HP	RPM	VOLTS	FRAME	BRGS.	OVER LOAD	CAT. NO.	MODEL NO.	LIST PRICE	MULT. SYMB.	SERVICE FACTOR	F.L. AMPS	APPROX. WEIGHT. LBS.	"C" DIM.	FOOT NOTES
<b>1/4</b>	1800	115	48	SLEEVE	NONE	S003★	48S17D2089	\$105	F1	1.00	6.0	12	9.09	3
<b>1/3</b>	1800	115	48	SLEEVE	AUTO	S026	48S17D2113	\$93	F1	1.00	6.6	14	9.34	3
	1800	115	48	SLEEVE	NONE	S006★	48S17D2090	\$117	F1	1.00	6.6	14	9.34	3
	1800	115/230	48	SLEEVE	NONE	S010★	48C17D2023	\$158	F1	1.00	7.0/3.5	15	9.34	2
	1800	115/230	48	BALL	MANUAL	S030★	48C17D2027	\$189	F1	1.00	7.0/3.5	15	9.34	2
	1800	115/230	48	SLEEVE	AUTO	S011★	48C17D2024	\$166	F1	1.00	7.0/3.5	15	9.34	2
<b>1/2</b>	1800	115	56	SLEEVE	AUTO	S027	56S17D2066	\$155	F1	1.00	9.2	18	10.22	3
	1800	115	56	SLEEVE	NONE	S022★	56S17D2046	\$149	F1	1.00	9.2	18	10.22	3
	1800	115/230	56	SLEEVE	NONE	S012★	56C17D2098	\$195	F1	1.00	9.2/4.6	18	10.22	2
	1800	115/230	56	BALL	MANUAL	S033★	56C17D2064	\$226	F1	1.00	9.2/4.6	19	10.22	2
	1800	115/230	56	SLEEVE	AUTO	S013★	56C17D2051	\$203	F1	1.00	9.2/4.6	18	10.22	2
<b>3/4</b>	1800	115/230	56	BALL	MANUAL	S036★	56C17D2067	\$266	F1	1.00	10.4/5.2	25	11.97	2
	1800	115/230	56	SLEEVE	AUTO	S015★	56C17D2055	\$242	F1	1.00	10.4/5.2	24	11.97	2
	1800	115/230	56	SLEEVE	NONE	S014★	56C17D2054	\$233	F1	1.00	10.4/5.2	24	11.97	2
<b>1</b>	1800	115/230	56	BALL	MANUAL	S039★	56C17D5320	\$345	F1	1.00	13.6/6.8	28	10.94	2,7
	1800	115/230	56	BALL	AUTO	S038★	56C17D5343	\$321	F1	1.00	13.6/6.8	28	10.94	2,7
	1800	115/230	56	BALL	NONE	S037★	56C17D5319	\$313	F1	1.00	13.6/6.8	28	10.94	2,7

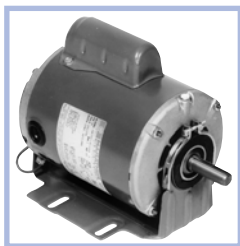
★ Stock Model

**Footnotes:**

- |    |  |   |  |
|----|--|---|--|
| CF | Consult Factory for Accessory Kits and/or Modification Selection | 3 | Split Phase design   |
| DS | Sourced  | 5 | 56H, 143T and 145T Combination Base with 12 mounting holes |
| 1  | Capacitor Start/Capacitor Run design for reduced amperage        | 7 | Will accept C-Face kit, see Accessory Section              |
| 2  | Capacitor Start Induction Run design                             |   |  |

# General Purpose, Single Phase

## Dripproof, Resilient Base, (NEMA Service Factor)



**Applications:** General purpose use on compressors, pumps, fans, blowers, and other machinery requiring relatively high starting torque. Resilient base for reduced vibration and quiet operation. Dripproof motors are intended for use in environments that are relatively clean and dry.

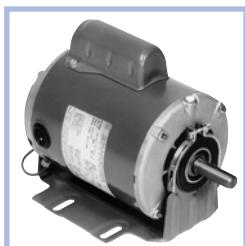
- Features:**
- All angle sleeve or ball bearings, as noted
  - Heavy gauge steel frame with resilient "cradle" style base
  - Capacitor start design for high starting torque
  - NEMA Service Factors
  - 48Y and 48YZ have 48/56 Fr mounting holes
  - UL Recognized and CSA Certified

HP	RPM	VOLTS	FRAME	BRGS.	OVER LOAD	CAT. NO.	MODEL NO.	LIST PRICE	MULT. SYMB.	SERVICE FACTOR	F.L. AMPS	APPROX. WEIGHT. LBS.	"C" DIM.	FOOT NOTES
1/4	1800	115/208-230	48Y	SLEEVE	NONE	G114★	48C17D2036	\$162	F1	1.35	5.0/2.3-2.5	14	9.84	2
	1800	115/230	48Y	SLEEVE	AUTO	G115★	48C17D2018	\$171	F1	1.35	5.4/2.7	17	10.34	2
1/3	1800	115/230	56	SLEEVE	AUTO	G135★	56C17D2088	\$207	F1	1.35	6.4/3.2	19	10.22	2
	1800	115/208-230	56	BALL	AUTO	B210★	56C17D2100	\$225	F1	1.35	5.8/3.1-2.9	18	10.22	2,31
1/2	3600	115/208-230	48Y	SLEEVE	AUTO	D110★	48C34D2022	\$164	F1	1.25	7.4/3.5-3.7	18	10.34	2
	1800	115/208-230	56	BALL	NONE	B316★	56C17D2071	\$242	F1	1.25	7.2/3.6	21	10.47	2,31
	1800	115/208-230	56	BALL	AUTO	B317★	56C17D2072	\$263	F1	1.25	7.2/3.6	24	10.47	2,31,CF
	1800	115/230	56	SLEEVE	AUTO	D111★	56C17D2079	\$246	F1	1.25	7.2/3.6	21	10.72	2
	1800	115/230	56	SLEEVE	AUTO	G151★	56C17D2025	\$246	F1	1.25	8.6/4.3	24	11.72	2
3/4	3600	115/208-230	56	SLEEVE	AUTO	D117★	56C34D2095	\$213	F1	1.25	9.8/4.8-4.9	20	11.22	2
	1800	115/208-230	56	BALL	NONE	G156★	56B17D2012	\$303	F1	1.25	11.0/5.5-5.5	27	11.47	1
	1800	115/208-230	56	BALL	AUTO	B319★	56C17D2074	\$321	F1	1.25	10.6/5.3-5.3	24	11.72	2,31,CF
	1800	115/208-230	56	BALL	NONE	B318★	56C17D2073	\$300	F1	1.25	10.6/5.3-5.3	24	11.72	2,31,CF
	1800	115/230	56	SLEEVE	AUTO	D113★	56C17D2080	\$304	F1	1.25	10.6/5.3	25	11.72	2
1	3600	115/208-230	56	BALL	AUTO	K136★	56C34D5314	\$266	F1	1.25	13.6/6.9-6.8	28	11.35	2
	3600	115/208-230	56	SLEEVE	AUTO	D118★	56C34D2106	\$249	F1	1.15	12.0/6.2-6.0	25	12.22	2
	1800	115/208-230	56	BALL	AUTO	D114★	56C17D5345	\$345	F1	1.15	12.8/6.4-6.4	28	11.35	2
	1800	115/208-230	56	BALL	NONE	B310★	56C17D5321	\$322	F1	1.15	12.8/6.4-6.4	29	11.35	2,32
1 1/2	3600	115/208-230	56	BALL	AUTO	D115★	56B34D2027	\$346	F1	1.15	13.4/7.4-6.7	32	11.72	1
	1800	115/208-230	145T	BALL	NONE	I146★	145TCDR5331	\$392	S1	1.15	18.0/9.3-9.	42	13.22	2,32
	1800	115/208-230	56H	BALL	NONE	B336★	56C17D5347	\$386	F1	1.15	18.0/9.3-9.	41	12.85	2,5,32
	1800	115/208-230	56H	BALL	AUTO	B330★	56C17D5316	\$401	F1	1.15	18.0/9.3-9.	41	12.85	2,5,32
2	3600	115/208-230	56H	BALL	AUTO	K152★	56B34D5320	\$421	F1	1.15	19.2/10.5-9.6	32	11.85	1,5
	1800	115/208-230	56H	BALL	AUTO	B352★	56B17D5331	\$512	F1	1.15	21/11.3-10.5	50	13.85	1,5,32
	1800	115/208-230	145T	BALL	NONE	I147★	145TBDR5345	\$412	S1	1.15	21/11.3-10.5	50	14.22	1

★ Stock Model

# General Purpose, Single Phase

## Dripproof, Resilient Base, (1.0 Service Factor)



**Applications:** Special purpose use on belt drive fans, blowers, coolers, tools, and other machinery requiring low to moderate starting torque and where power requirements do not exceed nameplate ratings. Resilient base for reduced vibration and quiet operation. Dripproof motors are intended for use in environments that are relatively clean and dry.

- Features:**
- All angle sleeve or ball bearings, as noted
  - Heavy gauge steel frame with resilient "cradle" style base
  - Economical split phase or capacitor start designs
  - 48Y and 48YZ have 48/56 Fr mounting holes
  - UL Recognized and CSA Certified

HP	RPM	VOLTS	FRAME	BRGS.	OVER LOAD	CAT. NO.	MODEL NO.	LIST PRICE	MULT. SYMB.	SERVICE FACTOR	F.L. AMPS	APPROX. WEIGHT. LBS.	"C" DIM.	FOOT NOTES
1/4	1800	115	48Y	SLEEVE	AUTO	S103	48S17D2091	\$117	F1	1.00	6.0	13	9.09	3,31
	1800	115	48Y	SLEEVE	NONE	S102★	48S17D2042	\$111	F1	1.00	6.0	13	9.06	3,31
	1800	115/230	48Y	SLEEVE	AUTO	S119★	48C17D2046	\$162	F1	1.00	6.6/3.3	13	9.09	2
	1800	115/230	48Y	SLEEVE	NONE	S118★	48C17D2045	\$153	F1	1.00	6.6/3.3	14	9.09	2
	1800	115	48YZ	SLEEVE	AUTO	S126★	48S17D2104	\$117	F1	1.00	6.0	14	9.72	3,53

**Footnotes:**

- CF Consult Factory for Accessory Kits and/or Modification Selection  
 1 Capacitor Start/Capacitor Run design for reduced amperage

★ Stock Model

- 2 Capacitor Start Induction Run design  
 3 Split Phase design  
 5 56H, 143T, and 145T Combination Base with 12 mounting holes

Continued on next page.

- 31 5/8" Thru bolts, shaft end  
 32 3/4" Thru bolts, shaft end  
 53 1/2" Shaft with 5/8" adapter with Key



## General Purpose, Single Phase Dripproof, Resilient Base, (1.0 Service Factor)

HP	RPM	VOLTS	FRAME	BRGS.	OVER LOAD	CAT. NO.	MODEL NO.	LIST PRICE	MULT. SYMB.	SERVICE FACTOR	F.L. AMPS	APPROX. WEIGHT. LBS.	"C" DIM.	FOOT NOTES
<b>1/3</b>	1800	115	48	SLEEVE	NONE	S106 ★	48S17D2093	\$121	F1	1.00	6.6	14	9.31	3,31
	1800	115/230	48	SLEEVE	AUTO	S111 ★	48C17D2029	\$171	F1	1.00	7.0/3.5	16	9.34	2
	1800	115/230	48	SLEEVE	NONE	S110 ★	48C17D2028	\$162	F1	1.00	7.0/3.5	16	9.34	2
	1800	115	48Y	SLEEVE	AUTO	S127 ★	48S17D2105	\$128	F1	1.00	6.6	14	9.72	3,53
<b>1/2</b>	1800	115	48Y	SLEEVE	AUTO	S128 ★	48S17D2106	\$155	F1	1.00	9.2	17	10.22	3,53
	1800	115	56	SLEEVE	NONE	S120 ★	56S17D2023	\$153	F1	1.00	9.2	18	10.22	3,31
	1800	115/230	56	SLEEVE	AUTO	S113 ★	56C17D2099	\$207	F1	1.00	9.2/4.6	20	10.22	2
	1800	115/230	56	SLEEVE	NONE	S112 ★	56C17D2097	\$199	F1	1.00	9.2/4.6	19	10.22	2
<b>3/4</b>	1800	115/230	56	SLEEVE	NONE	S114 ★	56C17D2060	\$237	F1	1.00	10.4/5.2	26	11.97	2
	1800	115/230	56	SLEEVE	AUTO	S115 ★	56C17D2061	\$246	F1	1.00	10.4/5.2	26	11.97	2
<b>1</b>	1800	115/230	56	BALL	AUTO	S117 ★	56C17D5340	\$326	F1	1.00	13.6/6.8	29	11.35	2
	1800	115/230	56	BALL	NONE	S116 ★	56C17D5339	\$317	F1	1.00	13.6/6.8	34	11.35	2

★ Stock Model

## General Purpose, Single Phase Dripproof, C-Face

**Applications:** General purpose use on gear reducers, pumps, machine tools, and other direct-coupled equipment requiring high starting torque in environments that are relatively clean and dry. For use outdoors an enclosure or drip cover may be required (see Accessories section).

- Features:**
- Ball bearings, mechanically locked on shaft end
  - Heavy gauge steel frame
  - Capacitor start design for high starting torque
  - NEMA Service Factors
  - UL Recognized and CSA Certified



HP	RPM	VOLTS	FRAME	OVER LOAD	CAT. NO.	MODEL NO.	LIST PRICE	MULT. SYMB.	F.L. AMPS	APPROX. WEIGHT. LBS.	"C" DIM.	FOOT NOTES
<b>1/4</b>	1800	115/208-230	56C	NONE	G212★	56C17D2084	\$189	F1	5.0/2.3-2.5	17	10.69	2
<b>1/3</b>	3600	115/208-230	56C	NONE	G216★	56C34D2117	\$162	F1	4.4/2.2-2.2	16	10.19	2
	1800	115/208-230	56C	NONE	G230★	56C17D2085	\$222	F1	6.4/3.0-3.2	17	10.69	2
<b>1/2</b>	3600	115/208-230	56C	NONE	G232★	56C34D2108	\$179	F1	8.4/3.8-4.2	17	10.69	2
	1800	115/208-230	56C	NONE	G234★	56C17D2044	\$261	F1	8.6/4.1-4.3	21	11.19	2
	1200	115/208-230	56C	NONE	G278★	56C11D5304	\$417	F1	10.6/5.1-5.3	33	11.94	2
<b>3/4</b>	3600	115/208-230	56C	NONE	G238★	56C34D2101	\$229	F1	9.6/4.4-4.8	19	10.94	2
	1800	115/208-230	56C	NONE	G250★	56B17D2011	\$320	F1	11.0/5.5-5.5	25	11.72	1
<b>1</b>	3600	115/208-230	56C	NONE	G254★	56B34D2031	\$263	F1	10.6/5.5-5.3	24	11.68	1
	1800	115/208-230	56C	NONE	G256★	56C17D5310	\$343	F1	13.4/6.8-6.7	29	11.44	2
<b>1 1/2</b>	3600	115/208-230	56C	NONE	G258★	56B34D2023	\$341	F1	14.8/8.0-7.4	26	11.68	1
	1800	115/208-230	56C	NONE	G270★	56C17D5311	\$399	F1	18.0/9.3-9.0	39	12.44	2
	1800	115/208-230	145TC	NONE	C170	-----	\$	S1	18.0/9.3-9.0	41	12.49	2
<b>2</b>	3600	115/208-230	56C	NONE	G272★	56B34D5319	\$418	F1	19.2/10.5-9.6	35	11.44	1
	1800	115/208-230	56C	NONE	G274★	56B17D5303	\$487	F1	21.0/11.3-10.5	48	13.44	1
	1800	115/208-230	145TC	NONE	C171	-----	\$	S1	21.0/11.3-10.5	50	13.49	1
<b>3</b>	3600	208-230	56C	NONE	K233	-----	\$524	F1	13.5-12.5	40	11.94	1
	3600	208-230	145TC	NONE	C172	-----	\$533	S1	13.5-12.5	41	11.99	1
	3600	115/208-230	182TC	NONE	C173	-----	\$559	S1	32.0/17.5-16.0	60	13.96	2
	1800	115/230	184TC	NONE	C174	184TCDR9627	\$546	S1	33.0/16.5	85	15.96	2

★ Stock Model

**Footnotes:**

- |   |   |    |                                       |
|---|---|----|---------------------------------------|
| 1 | Capacitor Start/Capacitor Run design for reduced amperage | 31 | 5/8" Thru bolts, shaft end            |
| 2 | Capacitor Start Induction Run design                      | 53 | 1/2" Shaft with 5/8" adapter with Key |
| 3 | Split Phase design  |    |                                       |

## General Purpose, Single Phase

### Dripproof, C-Face With Rigid Base



**Applications:** General purpose use on gear reducers, pumps, machine tools, and other direct-coupled equipment requiring high starting torques and installed in environments that are relatively clean and dry. For use outdoors an enclosure or drip cover may be required (see Accessories section).

- Features:**
- Ball bearings, mechanically locked on shaft end
  - NEMA Service Factors
  - Heavy gauge steel frame and base
  - Capacitor start design for high starting torque
  - UL Recognized and CSA Certified

HP	RPM	VOLTS	FRAME	OVER LOAD	CAT. NO.	MODEL NO.	LIST PRICE	MULT. SYMB.	F.L. AMPS	APPROX. WEIGHT. LBS.	"C" DIM.	FOOT NOTES
1/4	1800	115/208-230	56C	AUTO	K234	56C17D2114	\$203	F1	5.0/2.3-2.5	20	10.3	2
1/3	1800	115/208-230	56C	AUTO	K235*	56C17D2115	\$236	F1	6.4/3.0-3.2	20	10.3	2
1/2	1800	115/208-230	56C	AUTO	K236*	56C17D2116	\$274	F1	8.6/4.1-4.3	23	11.19	2
3/4	1800	115/208-230	56C	AUTO	K237*	56B17D2015	\$333	F1	11.0/5.5-5.5	25	11.72	1

\* Stock Model

## General Purpose, Single Phase

### Totally Enclosed, Rigid Base



**Applications:** General purpose use on compressors, pumps, conveyors, blowers, and other machinery requiring high starting torques and installed in damp, dusty, or dirty environments.

- Features:**
- Ball bearings
  - Heavy gauge steel frame and base
  - Capacitor start design for high starting torque
  - 1.15 Service Factor, except where noted
  - UL Recognized and CSA Certified

HP	RPM	VOLTS	FRAME	OVER LOAD	CAT. NO.	MODEL NO.	LIST PRICE	MULT. SYMB.	F.L. AMPS	APPROX. WEIGHT. LBS.	"C" DIM.	FOOT NOTES
1/4	1800	115/208-230	56	MANUAL	G314*	56C17F2052	\$220	F1	4.2/2.1-2.1	19	10.22	2
	1800	115/208-230	56	NONE	G312*	56C17F2054	\$205	F1	4.2/2.1-2.1	18	10.22	2
	1200	115/208-230	56	NONE	G316*	56C11F5300	\$311	F1	6.8/3.1-3.4	25	11.82	2,7
1/3	1800	115/208-230	56	AUTO	G331*	56C17F2048	\$239	F1	6.0/3.0-3.0	19	10.47	2
	1800	115/208-230	56	MANUAL	G332*	56C17F2049	\$253	F1	6.0/3.0-3.0	20	10.47	2
	1800	115/208-230	56	NONE	G330*	56C17F2040	\$229	F1	6.0/3.0-3.0	19	10.47	2
	1200	115/208-230	56	NONE	G333*	56C11F5301	\$350	F1	7.8/3.6-3.9	28	12.32	2,7
1/2	3600	115/208-230	56	MANUAL	G393*	56C34F5307	\$213	F1	8.4/4.0-4.2	23	11.82	2,7
	3600	115/208-230	56	NONE	K339	56C34F5327	\$199	F1	8.4/4.0-4.2	23	11.82	2,7
	1800	115/208-230	56	AUTO	G338*	56C17F2050	\$274	F1	8.0/4.0-4.0	24	11.22	2
	1800	115/208-230	56	MANUAL	G339*	56C17F2051	\$291	F1	8.0/4.0-4.0	24	11.22	2
	1800	115/208-230	56	NONE	G337*	56C17F2041	\$258	F1	8.0/4.0-4.0	24	11.22	2
	1200	115/208-230	56	NONE	G350*	56B11F5300	\$443	F1	9.6/4.7-4.8	36	13.32	1,7
3/4	3600	115/208-230	56	MANUAL	G379*	56C34F5309	\$259	F1	10.6/5.3-5.3	26	12.32	2,7
	3600	115/208-230	56	NONE	G352*	56C34F5308	\$243	F1	10.6/5.3-5.3	30	12.32	2,7
	1800	115/208-230	56	AUTO	G355*	56C17F5307	\$336	F1	11.0/5.4-5.5	30	12.32	2,7
	1800	115/208-230	56	MANUAL	G356*	56C17F5308	\$243	F1	11.0/5.4-5.5	30	12.32	2,7
	1800	115/208-230	56	NONE	G354*	56C17F5306	\$318	F1	11.0/5.4-5.5	30	12.32	2,7
	1200	115/208-230	56	NONE	G357*	56B11F5301	\$529	F1	11.4/5.8-5.7	41	13.82	1,7
	1200	115/208-230	143T	NONE	I707	143TBFR5376	\$553	S1	11.4/5.8-5.7	42	13.87	1,7

\* Stock Model

**Footnotes:**

- 1 Capacitor Start/Capacitor Run design for reduced amperage      7 Will accept C-Face kit, see Accessory Section  
 2 Capacitor Start Induction Run design

Continued on next page.

# General Purpose, Single Phase

## Totally Enclosed, Rigid Base

HP	RPM	VOLTS	FRAME	OVER LOAD	CAT. NO.	MODEL NO.	LIST PRICE	MULT. SYMB.	F.L. AMPS	APPROX. WEIGHT. LBS.	"C" DIM.	FOOT NOTES
<b>1</b>	3600	115/208-230	56	NONE	G359★	56C34F5310	\$279	F1	12.4/6.7-6.2	31	12.32	2,7
	3600	115/208-230	56	MANUAL	G390★	56C34F5311	\$293	F1	12.4/6.7-6.2	31	12.32	2,7
	1800	115/208-230	56	NONE	G371★	56C17F5309	\$358	F1	13.4/6.8-6.7	32	12.82	2,7
	1800	115/208-230	56	MANUAL	G373★	56C17F5311	\$374	F1	13.4/6.8-6.7	32	12.82	2,7
	1800	115/208-230	56	AUTO	G372★	56C17F5310	\$367	F1	13.4/6.8-6.7	32	12.82	2,7
	1800	115/208-230	143T	NONE	I210★	143TCFR5326	\$374	S1	13.4/6.8-6.7	34	12.87	2,7
<b>1 1/2</b>	3600	115/208-230	56H	MANUAL	G391★	56B34F5321	\$384	F1	14.2/7.7-7.1	35	12.82	1,5,7
	3600	115/208-230	56H	NONE	G374★	56B34F5320	\$357	F1	14.2/7.7-7.1	35	12.82	1,5,7
	3600	115/208-230	143T	NONE	I220★	143TBFR5301	\$422	S1	14.2/7.7-7.1	39	12.87	1,7
	3600	115/208-230	143T	MANUAL	I202	-----	\$449	S1	14.2/7.7-7.1	37	12.87	1,7
	1800	115/208-230	56H	MANUAL	G378★	56B17F5302	\$429	F1	15.2/8.2-7.6	41	13.82	1,5,7
	1800	115/208-230	56H	NONE	G376★	56B17F5300	\$408	F1	15.2/8.2-7.6	41	13.82	1,5,7
	1800	115/208-230	56H	AUTO	G377★	56B17F5301	\$422	F1	15.2/8.2-7.6	41	13.82	1,5,7
	1800	115/208-230	145T	MANUAL	I201★	145TBFR5327	\$474	S1	15.2/8.2-7.6	43	13.87	1,7
	1800	115/208-230	145T	NONE	I211★	145TBFR5326	\$421	S1	15.2/8.2-7.6	42	13.87	1,7
<b>2</b>	3600	115/208-230	56H	MANUAL	G392★	56B34F5323	\$434	F1	18.0/10.0-9.0	40	13.32	1,5,7
	3600	115/208-230	56H	NONE	K350	56B34F5322	\$418	F1	18.0/10.0-9.0	40	13.32	1,5,7
	3600	115/208-230	145T	NONE	I221★	145TBFR5303	\$434	S1	18.0/10.0-9.0	41	13.37	1,7
	3600	115/208-230	145T	MANUAL	I203	-----	\$461	S1	18.0/10.0-9.0	40	13.37	1,7
	1800	115/230	145T	NONE	I700★	145TBFR5334	\$530	S1	18.8/9.4	52	14.87	1,7
	1800	115/208-230	182T	NONE	I212★	182TBFR5326	\$576	S1	20.0/10.8-10.0	54	15.65	F,1
<b>3</b>	3600	115/208-230	182T	NONE	I206★	182TBFR5301	\$668	S1	24.6/13.9-12.3	69	15.81	1,17
	3600	208-230	145T	NONE	I204	145TBFR5301	\$591	S1	13.1-11.8	48	14.87	1,7
	3600	208-230	145T	MANUAL	I205	145TBFR5302	\$636	S1	13.1-11.8	48	14.87	1,7
	1800	115/208-230	184T	NONE	I213★	184TCFR7726	\$684	S1	34.0/17.5-17.0	99	17.86	2,7,17
<b>5</b>	3600	208-230	184T	NONE	I223★	184TBFR7701	\$853	S1	25.1-22.4	98	17.36	1,7,17
	1800	208-230	184T	NONE	I214★	184TBFR7726	\$842	S1	22.8-20.2	98	18.06	1,7,17
	1800	208-230	213T	NONE	I216★	213TBFW7026	\$908	S1	24.5-22.0	128	18.73	1,7,17
<b>7 1/2</b>	3600	208-230	213T	NONE	I224★	213TBFW7001	\$1,145	S1	36.0-32.0	120	20.23	1,7,17
	1800	208-230	215T	NONE	I215★	215TBFW7026	\$1,118	S1	35.0-30.0	133	21.48	1,7,17
<b>10</b>	3600	208-230	215T	NONE	I225★	215TBFW7001	\$1,395	S1	44.0-41.5	138	20.23	1,7,17
	1800	230	215T	NONE	I217★	215TBFW7027	\$1,434	S1	41.5	155	21.48	1,7,17

★ Stock Model

### Footnotes:

- F Class F Insulation
- 1 Capacitor Start/Capacitor Run design for reduced amperage
- 2 Capacitor Start Induction Run design
- 5 56H, 143T, and 145T Combination Base with 12 mounting holes
- 7 Will accept C-Face kit, see Accessory Section
- 17 1.0 Service Factor

# General Purpose, Single Phase

## Totally Enclosed, C-Face



**Applications:** General purpose use on gear reducers, pumps, machine tools, and other direct-coupled equipment requiring high starting torques and installed in damp, dusty, or dirty environments. Also see C-Face with removable base motors (Four-In-One) in this section.

- Features:**
- Ball bearings, mechanically locked on shaft end
  - Heavy gauge steel frame
  - Capacitor start design for high starting torque
  - Will accept brake kits, except where noted (see Accessories section)
  - 1.15 Service Factor
  - UL Recognized and CSA Certified

HP	RPM	VOLTS	FRAME	OVER LOAD	CAT. NO.	MODEL NO.	LIST PRICE	MULT. SYMB.	F.L. AMPS	APPROX. WEIGHT. LBS.	"C" DIM.	FOOT NOTES
<b>1/4</b>	1800	115/208-230	56C	NONE	G511★	56C17T2002	\$216	F1	4.2/2.1-2.1	16	9.94	N,2,24
<b>1/3</b>	3600	115/208-230	56C	NONE	G534★	56C34T2004	\$192	F1	4.4/2.2-2.2	20	10.19	N,2,24
	1800	115/208-230	56C	NONE	G513★	56C17F2042	\$249	F1	6.0/3.0-3.0	18	10.44	2,24
<b>1/2</b>	3600	115/208-230	56C	NONE	G514★	56C34F5322	\$209	F1	8.4/4.0-4.2	23	11.82	2
	1800	115/208-230	56C	NONE	G515★	56C17F2043	\$287	F1	8.0/4.0-4.0	23	11.19	2,24
<b>3/4</b>	3600	115/208-230	56C	NONE	G516★	56C34F5323	\$255	F1	10.6/5.3-5.3	26	12.32	2
	1800	115/208-230	56C	NONE	G517★	56C17F5314	\$345	F1	11.0/5.4-5.5	30	12.32	2
<b>1</b>	3600	115/208-230	56C	NONE	G518★	56C34F5324	\$289	F1	12.4/6.7-6.2	31	12.32	2
	1800	115/208-230	56C	NONE	G519★	56C17F5315	\$368	F1	13.4/6.8-6.7	31	12.82	2
<b>1 1/2</b>	3600	115/208-230	56C	NONE	G530★	56B34F5329	\$367	F1	14.2/7.7-7.1	33	12.82	1
	1800	115/208-230	56C	NONE	G531★	56B17F5303	\$425	F1	15.2/8.2-7.6	40	13.82	1
<b>2</b>	3600	115/208-230	56C	NONE	G533★	56B34F5319	\$445	F1	18.0/10.0-9.0	39	13.32	1
<b>3</b>	3600	208-230	145TC	NONE	C276	-----	\$634	S1	13.1-11.8	50	14.87	1

★ Stock Model

# General Purpose, Single Phase

## Totally Enclosed, C-Face With Rigid Base



**Applications:** General purpose use on gear reducers, pumps, machine tools, and other direct-coupled equipment requiring high starting torques and installed in damp, dusty, or dirty environments. Also see C-Face with removable base motors (Four-In-One) in this section

- Features:**
- Ball bearings, mechanically locked on shaft end
  - Heavy gauge steel frame and base
  - Capacitor start design for high starting torque
  - Will accept brake kits, except where noted
  - 1.15 Service Factor
  - UL Recognized and CSA Certified

HP	RPM	VOLTS	FRAME	OVER LOAD	CAT. NO.	MODEL NO.	LIST PRICE	MULT. SYMB.	F.L. AMPS	APPROX. WEIGHT. LBS.	"C" DIM.	FOOT NOTES
<b>1/3</b>	1800	115/208-230	56C	NONE	G550★	56C17F2044	\$253	F1	6.0/3.0-3.0	19	10.44	2,24
<b>1/2</b>	3600	115/208-230	56C	NONE	G559★	56C34F5329	\$213	F1	8.4/4.0-4.2	23	11.82	2
	1800	115/208-230	56C	NONE	G551★	56C17F2045	\$291	F1	8.0/4.0-4.0	24	11.19	2,24
<b>3/4</b>	3600	115/208-230	56C	NONE	K619	-----	\$259	F1	10.6/5.3-5.3	27	12.32	2
	1800	115/208-230	56C	NONE	G552★	56C17F5318	\$350	F1	11.0/5.4-5.5	30	12.32	2
<b>1</b>	3600	115/208-230	56C	NONE	K630	-----	\$293	F1	12.4/6.7-6.2	28	12.32	2
	1800	115/208-230	56C	NONE	G553★	56C17F5319	\$374	F1	13.4/6.8-6.7	33	12.82	2
<b>1 1/2</b>	3600	115/208-230	56C	NONE	K631	56B34F5324	\$371	F1	14.2/7.7-7.1	29	12.82	1
	1800	115/208-230	145TC	NONE	C281	145TBFR5337	\$530	S1	15.2/8.2-7.6	46	13.87	1
<b>2</b>	3600	115/208-230	145TC	NONE	C282	145TBFR5305	\$591	S1	16.6/9.1-8.3	42	13.37	1
<b>3</b>	3600	208-230	145TC	NONE	C284	145TBFR5306	\$634	S1	13.1-11.8	53	14.87	1

★ Stock Model

**Footnotes:**

- N Totally Enclosed, Non-Ventilated      2 Capacitor Start Induction Run design  
 1 Capacitor Start/Capacitor Run design for reduced amperage      24 Motor will NOT accept a Brake Kit



# General Purpose, Single Phase

## Totally Enclosed, C-Face With Removable Base (Four-In-One)

**Applications:** Unique design allows for replacement of Dripproof, TEFC, C- Face, or Rigid Base motors in a broad range of industrial and commercial applications. General purpose use on gear reducers, pumps, machine tools, fans, blowers, material handling, and other base mount or direct-coupled equipment requiring high starting torques and installed in damp, dusty, or dirty environments.



- Features:**
- Double sealed ball bearings, mechanically locked on shaft end
  - Heavy gauge steel frame
  - Bolt-on, easily removable rigid base
  - Suitable for horizontal or vertical mounting
  - Capacitor start design for high starting torque
  - 1.15 Service Factor
  - Will accept brake kits, see Accessories section
  - Will accept drip cover A234, see Accessories section
  - UL Recognized and CSA Certified

HP	RPM	VOLTS	FRAME	OVER LOAD	CAT. NO.	MODEL NO.	LIST PRICE	MULT. SYMB.	F.L. AMPS	APPROX. WEIGHT. LBS.	"C" DIM.	FOOT NOTES
<b>1/4</b>	1200	115/208-230	56C	NONE	G577★	56C11F5302	\$333	F2	6.8/3.1-3.4	25	11.82	2
<b>1/3</b>	1800	115/208-230	56C	NONE	G570★	56C17F5320	\$259	F2	6.6/3.1-3.3	24	11.82	2,68
	1200	115/208-230	56C	NONE	G576★	56C11F5303	\$371	F2	7.8/3.6-3.9	29	12.32	2
<b>1/2</b>	3600	115/208-230	56C	NONE	D311★	56C34F5301	\$220	F2	8.4/4.0-4.2	23	11.82	2
	1800	115/208-230	56C	NONE	G571★	56C17F5321	\$297	F2	8.8/4.2-4.4	26	11.82	2,68
	1200	115/208-230	56C	NONE	G578★	56B11F5303	\$453	F2	9.6/4.7-4.8	37	13.32	1,68
<b>3/4</b>	3600	115/208-230	56C	NONE	D312★	56C34F5302	\$266	F2	10.6/5.3-5.3	28	12.32	2
	1800	115/208-230	56C	NONE	G572★	56C17F5322	\$357	F2	11.0/5.4-5.5	31	12.32	2,68
	1200	115/208-230	56C	NONE	G579★	56B11F5302	\$566	F2	11.4/5.8-5.7	41	13.82	1
<b>1</b>	3600	115/208-230	56C	NONE	D313★	56C34F5303	\$300	F2	11.2/5.7-5.6	31	12.32	2
	1800	115/208-230	56HC	NONE	G573★	56C17F5323	\$380	F2	13.4/6.8-6.7	33	12.82	2,5,68
<b>1 1/2</b>	3600	115/208-230	56C	NONE	D314★	56B34F5326	\$378	F2	14.2/7.7-7.1	34	12.82	1
	1800	115/208-230	56HC	NONE	G574★	56B17F5305	\$436	F2	15.2/8.2-7.6	41	13.82	1,5,68
<b>2</b>	3600	115/208-230	56HC	NONE	D315★	56B34F5327	\$455	F2	16.6/9.1-8.3	38	13.82	1,5
	1800	115/208-230	56HC	NONE	G575★	56B17F5306	\$546	F2	20.0/10.8-10.0	51	14.82	1,5,17
<b>3</b>	3600	208-230	56HC	NONE	D316★	56B34F5328	\$608	F2	13.1-11.8	51	14.82	1,5

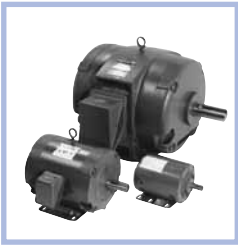
★ Stock Model

**Footnotes:**

- 1 Capacitor Start/Capacitor Run design for reduced amperage
- 2 Capacitor Start Induction Run design
- 5 56H, 143T, and 145T Combination Base with 12 mounting holes
- 17 1.0 Service Factor
- 68 Nameplated 60/50 hz, 50 Hz at next lower HP

# General Purpose, Three Phase

## Dripproof, Rigid Base



**Applications:** General purpose use on compressors, pumps, conveyors, fans, blowers, and other machinery in environments that are relatively clean and dry. For use outdoors, a drip cover may be required (see Accessories section).

**Features:**



- Ball bearings, except where noted
- NEMA Service Factors
- Will accept C-Face Kits except where noted, see Accessories Section
- UL Recognized and CSA Certified
- See XRI® Dripproof in Premium Efficiency section for NEMA Premium efficiencies



Suitable for use on VFD per guidelines on page 14.

HP	RPM	VOLTS	FRAME	OVER LOAD	CAT. NO.	MODEL NO.	LIST PRICE	MULT. SYMB.	NOM. EFF.	F.L. AMPS	APPROX. WGT. LBS.	"C" DIM.	FOOT NOTES	C-FACE KITS
<b>1/4</b>	1800	208-230/460	48	NONE	G044★	48T17D2000	\$182	F1	62.0	1.2-1.3/65	14	9.34	20,25	N/A
	1200	208-230/460	56	NONE	G045	-----	\$272	F1	52.5	1.8-2.1/1.0	17	9.94	20	----
<b>1/3</b>	1800	200-208	56	NONE	G046	56T17D2128	\$212	F1	67.0	1.8-1.9	15	9.97	25	N/A
	1800	208-230/460	56	NONE	G047★	56T17D2095	\$212	F1	67.0	1.5-1.6/0.8	15	9.97	20,25	N/A
	1200	208-230/460	56	NONE	G061	56T11D5301	\$289	F1	62.0	1.9-2.2/1.1	19	9.94	20	A435
<b>1/2</b>	3600	208-230/460	56	NONE	K027	56T34D5300	\$176	F1	66.0	2.1-2.2/1.1	20	10.44	20	A435
	1800	200-208	56	NONE	G062★	56T17D2114	\$239	F1	70.0	2.5-2.65	17	10.47	25	N/A
	1800	208-230/460	56	NONE	G063★	56T17D2094	\$239	F1	70.0	2.1-2.2/1.1	17	10.47	20,25,CF	N/A
	1800	208-230/460	56	AUTO	G905★	56T17D5336	\$296	F1	68.0	2.3-2.4/1.2	21	10.44	VC,20	A435
	1800	575	56	NONE	G065★	56T17D2112	\$239	F1	70.0	0.9	17	10.47	25	N/A
	1200	208-230/460	56	NONE	G067★	56T11D5302	\$320	F1	68.0	2.4-2.7/1.35	23	10.44	20	A435
	900	208-230/460	143T	NONE	H180	143TTDR5401	\$389	E6	64.0	2.9-3.0/1.5	32	11.49	5,13	A436
	<b>3/4</b>	3600	208-230/460	56	NONE	G080★	56T34D5301	\$216	F1	74.0	3.0-3.2/1.6	21	10.44	20
1800		200-208	56	NONE	G082★	56T17D2111	\$267	F1	75.5	3.2-3.3	21	10.97	25	N/A
1800		208-230/460	56	NONE	G084★	56T17D2093	\$267	F1	75.5	2.7-2.8/1.4	20	10.97	20,25,CF	N/A
1800		208-230/460	56	AUTO	G908★	56T17D5339	\$324	F1	75.5	2.9-3.0/1.5	23	10.44	20	A435
1800		575	56	NONE	G086★	56T17D2110	\$267	F1	75.5	1.1	20	10.97	25	N/A
1200		208-230/460	56	NONE	G088	56T11D5303	\$330	F1	74.0	3.1-3.2/1.6	25	10.94	20	A435
1200		208-230/460	143T	NONE	H150★	143TTDR5376	\$300	E6	74.0	3.1-3.2/1.6	29	10.99	5,20	A436
900		208-230/460	145T	NONE	H181★	145TTDR5401	\$442	E6	72.0	4.0-4.0/2.0	42	12.99	20	A436
<b>1</b>		3600	208-230/460	56	NONE	K000★	56T34D5302	\$246	F1	74.0	3.7-3.7/1.85	23	10.44	
	1800	200	143T	NONE	<b>E901</b> ★	143TTDR5348	\$278	E2	82.5	3.6	40	12.49	5,13	A436
	1800	200-208	56	NONE	K003	56T17D2113	\$274	F1	76.5	3.9-4.1	23	11.47	25	N/A
	1800	200-208	143T	NONE	H601★	143TTDR5327	\$246	E6	77.0	4.15-4.3	27	10.99	5,13	A436
	1800	200-208	143T	AUTO	<b>U416</b>	143TTDR4061	\$396	E2	82.5	3.6-3.43	40	12.49	5,13	A436
	1800	208-230/460	56	NONE	K004★	56T17D2092	\$274	F1	76.5	3.4-3.4/1.7	22	11.47	20,25,CF	N/A
	1800	208-230/460	56	AUTO	G921★	56T17D5342	\$330	F1	77.0	3.5-3.6/1.8	24	10.94	VC,20	A435
	1800	208-230/460	56HZ	AUTO	K063★	56T17D3301	\$351	F1	77.0	3.5-3.6/1.8	27	10.99	Z,5,20	A435
	1800	208-230/460	56HZ	AUTO	K067★	56T17D3305	\$364	F1	77.0	3.5-3.6/1.8	30	10.99	VC,Z,5,20	A435
	1800	208-230/460	56HZ	MANUAL	K085	-----	\$372	F1	77.0	3.5-3.6/1.8	27	10.99	Z,5,20	----
	1800	208-230/460	143T	NONE	<b>E715</b> ★	143TTDR5347	\$278	E2	82.5	3.3-3.1/1.55	34	12.49	5,13,20	A436
	1800	208-230/460	143T	AUTO	<b>U417</b> ★	143TTDR4052	\$396	E2	82.5	3.3-3.1/1.55	40	12.49	5,13,20	A436
	1800	208-230/460	143T	AUTO	<b>U418</b> ★	143TTDR4051	\$412	E2	82.5	3.3-3.1/1.55	38	12.49	VC,5,13,20	A436
	1800	575	56	NONE	K049★	56T17D2130	\$274	F1	76.5	1.4	22	11.47	25	N/A
	1800	575	56HZ	AUTO	K081	56T17D15528	\$351	F1	77.0	1.45	27	10.99	Z,5	A435
	1800	575	143T	AUTO	<b>U922</b>	143TTDR4055	\$396	E2	82.5	1.1	39	12.49	5,13	A436
	1800	575	143T	NONE	<b>E912</b> ★	143TTDR5351	\$278	E2	82.5	1.1	41	12.49	5,13	A436
	1200	200	145T	NONE	<b>E785</b>	145TTDR4078	\$364	E2	80.0	4.1	47	13.49	5,13	A436
	1200	200	145T	NONE	H678	145TTDR5379	\$324	E6	75.5	4.8	32	11.49	5,13	A436
	1200	208-230/460	56H	NONE	K007	56T11D5304	\$357	F1	75.5	4.1-4.2/2.1	29	11.44	5,20	A435
	1200	230/460	145T	NONE	<b>E728</b> ★	145TTDR4076	\$364	E2	80.0	3.6/1.8	47	13.49	5,13,20	A436
1200	575	145T	NONE	<b>E934</b>	145TTDR4080	\$364	E2	80.0	1.4	47	13.49	5,13	A435	
900	230/460	182T	NONE	H182	182TTDR7101	\$478	E6	72.0	4.0/2.0	69	12.72	25	N/A	

★ Stock Model

Catalog numbers (Cat No.) highlighted in bold blue have efficiency levels that meet or exceed U.S. EPA and/or NRC Canadian standards.

**Footnotes:**

- CF Consult Factory for Accessory Kit and/or Modification Selection
- VC Voltage Change Device feature for quick voltage changes
- Z 56HZ with 7/8" shaft dia., 3-1/2" shaft height, and slotted 56 frame base

- 5 56H, 143T, and 145T Combination Base with 12 mounting holes
- 13 F1 Mounting Only, Cannot reassemble to F2
- 20 Rated 60/50 hertz, 190/380 or 380 volt at next lower horsepower
- 25 Motor will NOT accept C-Face Kits

Continued on next page.



# General Purpose, Three Phase

## Dripproof, Rigid Base

HP	RPM	VOLTS	FRAME	OVER LOAD	CAT. NO.	MODEL NO.	LIST PRICE	MULT. SYMB.	NOM. EFF.	F.L. AMPS	APPROX. WGH. LBS.	"C" DIM.	FOOT NOTES	C-FACE KITS	
<b>1 1/2</b>	3600	200	143T	NONE	H603	143TTDR5305	\$275	E6	80.0	5.75	26	10.99	5,13	A436	
	3600	200	143T	NONE	<b>E917</b>	143TTDR4005	\$309	E2	82.5	5.5	27	10.99	5,13	A436	
	3600	208-230/460	56	NONE	K009★	56T34D5303	\$303	F1	80.0	4.9-5.0/2.5	24	10.44	20	A435	
	3600	208-230/460	143T	NONE	<b>E783</b> ★	143TTDR5313	\$309	E2	82.5	4.2-4.2/21	28	10.99	5,13,20	A436	
	3600	575	143T	NONE	<b>E798</b>	143TTDR4006	\$309	E2	82.5	1.9	28	10.99	5,13	A436	
	1800	200	145T	NONE	<b>E902</b> ★	145TTDR5632	\$303	E2	84.0	5.0	39	12.49	5,13	A436	
	1800	200-208	56H	NONE	K021	-----	\$304	F1	80.0	5.5-5.9	29	10.94	5	----	
	1800	200-208	145T	NONE	H604★	145TTDR5327	\$270	E6	80.0	5.5-5.9	30	10.99	5,13	A436	
	1800	200-208	145T	AUTO	<b>U419</b> ★	145TTDR4128	\$421	E2	84.0	5.0-4.9	39	12.49	5,13	A436	
	1800	208-230/460	56H	NONE	K022★	56T17D5309	\$304	F1	80.0	4.8-4.8/2.4	28	10.94	5,20	A435	
	1800	208-230/460	56H	AUTO	G923★	56T17D5344	\$361	F1	80.0	4.8-4.8/2.4	28	10.94	VC,5,20	A435	
	1800	208-230/460	56HZ	AUTO	K064★	56T17D3302	\$372	F1	80.0	4.8-4.8/2.4	30	10.99	Z,5,20	A435	
	1800	208-230/460	56HZ	AUTO	K068★	56T17D3306	\$382	F1	80.0	4.8-4.8/2.4	33	10.99	VC,Z,5,20	A435	
	1800	208-230/460	56HZ	MANUAL	K086	-----	\$389	F1	80.0	4.8-4.8/2.4	30	10.99	Z,5,20	A435	
	1800	208-230/460	145T	NONE	<b>E716</b> ★	145TTDR5630	\$303	E2	84.0	4.6-4.4/2.2	40	12.49	5,13,20	A436	
	1800	208-230/460	145T	AUTO	<b>U420</b> ★	145TTDR4126	\$421	E2	84.0	4.6-4.4-2.2	43	12.49	5,13,20	A436	
	1800	208-230/460	145T	AUTO	<b>U421</b> ★	145TTDR4127	\$437	E2	84.0	4.6-4.4/2.2	39	12.49	VC,5,13,20	A436	
	1800	575	56H	NONE	K061★	56T17D5369	\$304	F1	80.0	1.9	28	10.94	5	A435	
	1800	575	56HZ	AUTO	K083	-----	\$368	F1	80.0	1.9	30	10.99	Z,5	----	
	1800	575	145T	NONE	<b>E913</b> ★	145TTDR5640	\$303	E2	84.0	1.8	39	12.49	5,13	A436	
	1800	575	145T	AUTO	<b>U923</b>	145TTDR4130	\$421	E2	84.0	1.8	39	12.49	5,13	A436	
	1200	200	182T	NONE	<b>E799</b> ★	182TTDR4083	\$400	E2	84.0	5.5	102	14.22	13,25	N/A	
	1200	200	182T	NONE	H679	182TTDR7095	\$357	E6	75.5	5.75	89	12.72	25	N/A	
	1200	208-230/460	56H	NONE	K047	-----	\$411	F1	78.5	5.45-5.4/2.2	41	11.94	5	----	
	1200	230/460	182T	NONE	<b>E729</b> ★	182TTDR4076	\$400	E2	84.0	4.8/2.4	84	14.22	13,20,25	N/A	
	900	230/460	184T	NONE	H183	184TTDR7101	\$580	E6	77.0	6.6/3.3	62	14.22	25	----	
	<b>2</b>	3600	200	145T	NONE	H606	-----	\$324	E6	80.0	7.1	28	10.99	5,13	----
		3600	200	145T	NONE	<b>U905</b>	145TTDR4103	\$364	E2	84.0	6.2	29	10.99	5,13	A436
		3600	208-230/460	56H	NONE	K025★	56T34D5304	\$357	F1	80.0	6.4-6.2/3.1	25	10.44	5,20	A435
		3600	208-230/460	145T	NONE	<b>E702</b> ★	145TTDR5304	\$364	E2	84.0	5.4-5.2/2.6	29	11.49	5,13,20	A436
3600		575	145T	NONE	<b>U906</b>	145TTDR4005	\$364	E2	84.0	2.2	31	10.99	5,13	A436	
1800		200	145T	NONE	<b>E903</b> ★	145TTDR5633	\$334	E2	84.0	6.7	46	12.99	5,13	A436	
1800		200-208	56HZ	MANUAL	K087	-----	\$420	F1	81.5	7.1-7.2	36	11.99	Z,5,20	----	
1800		200-208	145T	NONE	H607★	145TTDR5332	\$297	E6	81.5	7.1-7.2	37	11.99	5,13	A436	
1800		200-208	145T	AUTO	<b>U422</b> ★	145TTDR4134	\$454	E2	84.0	6.7-6.6	43	12.99	5,13	A436	
1800		208-230/460	56H	NONE	K041★	56T17D5310	\$334	F1	81.5	6.2-6.2/3.1	34	11.94	5,20	A435	
1800		208-230/460	56HZ	AUTO	K065★	56T17D3303	\$399	F1	81.5	6.2-6.2/3.1	35	11.99	Z,5,20	A435	
1800		208-230/460	56HZ	AUTO	K069★	56T17D3307	\$412	F1	81.5	6.2-6.2/3.1	34	11.99	VC,Z,5,20	A435	
1800		208-230/460	56HZ	MANUAL	K088	-----	\$420	F1	81.5	6.2-6.2/3.1	36	11.99	Z,5,20	----	
1800		208-230/460	145T	NONE	<b>E717</b> ★	145TTDR5631	\$334	E2	84.0	6.2-5.8/2.9	43	12.99	5,13,20	A436	
1800		208-230/460	145T	AUTO	<b>U423</b> ★	145TTDR4132	\$454	E2	84.0	6.2-5.8/2.9	43	12.99	5,13,20	A436	
1800		208-230/460	145T	AUTO	<b>U424</b> ★	145TTDR4133	\$470	E2	84.0	6.2-5.8/2.9	42	12.99	VC,5,13,20	A436	
1800		575	56H	NONE	K062★	56T17D5370	\$334	F1	81.5	2.5	34	11.94	5	A435	
1800		575	56HZ	AUTO	K084	-----	\$399	F1	81.5	2.5	36	11.99	Z,5	----	
1800		575	145T	NONE	<b>E914</b> ★	145TTDR5665	\$334	E2	84.0	2.3	42	12.99	5,13	A436	

★ Stock Model

Catalog numbers (Cat No.) highlighted in bold blue have efficiency levels that meet or exceed U.S. EPAAct and/or NRCAN Canadian standards.

Continued on next page.

**Footnotes:**

VC Voltage Change Device feature for quick voltage changes  
 Z 56HZ with 7/8" shaft dia., 3-1/2" shaft height, and slotted 56 frame base  
 5 56H, 143T, and 145T Combination Base with 12 mounting holes

13 F1 Mounting Only, Cannot reassemble to F2  
 20 Rated 60/50 hertz, 190/380 or 380 volt at next lower horsepower  
 25 Motor will NOT accept C-Face Kits

THREE PHASE

# General Purpose, Three Phase

Dripproof, Rigid Base



HP	RPM	VOLTS	FRAME	OVER LOAD	CAT. NO.	MODEL NO.	LIST PRICE	MULT. SYMB.	NOM. EFF.	F.L. AMPS	APPROX. WGT. LBS.	"C" DIM.	FOOT NOTES	C-FACE KITS
<b>2</b>	1800	575	145T	AUTO	<b>U924</b>	145TTDR4136	\$454	E2	84.0	2.3	42	12.99	5,13	A436
	1200	200	184T	NONE	<b>E918</b> *	184TTDR4178	\$514	E2	85.5	7.15	89	15.22	13,25	N/A
	1200	200	184T	NONE	H697	184TTDR7097	\$364	E6	80.0	7.8	78	13.72	13,25	N/A
	1200	230/460	184T	NONE	<b>E730</b> *	184TTDR4076	\$514	E2	85.5	6.2/3.1	87	15.22	13,20,25	N/A
	900	230/460	213T	NONE	H184	213TTDW7101	\$763	E6	80.0	9.0/4.5	130	15.80		A606
<b>3</b>	3600	200	145T	NONE	H609	145TTDR5310	\$364	E6	84.0	10.0	33	11.49	5,13	A436
	3600	200	145T	NONE	<b>E919</b>	145TTDR4003	\$382	E2	84.0	10.0	33	11.49	5,13	A436
	3600	208-230/460	56H	NONE	K048	56T34D5340	\$397	F1	84.0	8.8-8.2/4.1	32	11.44	5	A435
	3600	208-230/460	145T	NONE	<b>E784</b> *	145TTDR5325	\$382	E2	84.0	8.4-7.6/3.8	34	11.99	5,13,20	A436
	3600	575	145T	NONE	<b>E932</b>	145TTDR4105	\$382	E2	84.0	3.5	33	11.49	5,13	A436
	1800	200	182T	NONE	H610	182TTDR7627	\$332	E6	81.5	10.4	68	12.72	25	N/A
	1800	200	182T	NONE	<b>E904</b> *	182TTDR4027	\$391	E2	86.5	9.4	58	14.22	13,25,CF	N/A
	1800	200-208	56HZ	MANUAL	K089	-----	\$429	F1	84.0	9.9/9.7	48	13.49	Z,5,20	----
	1800	200-208	145T	NONE	H681	145TTDR5337	\$322	E6	84.0	9.9-9.7	48	13.49	5,13	A436
	1800	200-208	182T	NONE	L102 *	182TTDR5327	\$332	E6	84.0	9.9-9.7	50	14.27	13,25	N/A
	1800	200-208	182T	AUTO	<b>U425</b> *	182TTDR4074	\$534	E2	86.5	9.9-10.3	72	14.22	13,25,CF	N/A
	1800	208-230/460	56HZ	NONE	H803 *	56T17D5398	\$364	F1	84.0	9.2-8.6/4.3	48	13.49	Z,13,20	A435
	1800	208-230/460	56HZ	AUTO	K066 *	56T17D3304	\$408	F1	84.0	9.2-8.6/4.3	48	13.49	Z,5,20	A435
	1800	208-230/460	56HZ	AUTO	K080 *	56T17D3308	\$421	F1	84.0	9.2-8.6/4.3	50	13.99	VC,Z,5,20	A435
	1800	208-230/460	56HZ	MANUAL	K900	-----	\$429	F1	84.0	9.2-8.6/4.3	47	13.49	Z,5,20	----
	1800	208-230/460	182T	NONE	<b>E718</b> *	182TTDB4026	\$391	E2	86.5	8.8-8.2/4.1	81	13.72	DS,13,20,25	N/A
	1800	208-230/460	182T	AUTO	<b>U426</b> *	182TTDR4156	\$534	E2	86.5	8.8-8.6/4.3	63	13.72	13,25	N/A
	1800	230/460	182T	AUTO	L105	182TTDR5335	\$392	E6	84.0	8.6/4.3	51	14.27	13,25	N/A
	1800	575	182T	NONE	<b>E915</b> *	182TTDR4030	\$391	E2	86.5	3.3	72	13.19	13,25,CF	N/A
	1800	575	182T	AUTO	<b>U925</b>	182TTDR4075	\$534	E2	86.5	3.45	78	14.22	13,25	N/A
	1200	200	213T	NONE	<b>U907</b> *	213TTDW4078	\$695	E2	86.5	9.65	121	17.30	13	A606
	1200	200	213T	NONE	H698	213TTDW7078	\$482	E6	82.5	11.5	105	15.80		A606
	1200	230/460	213T	NONE	<b>E731</b> *	213TTDW4076	\$695	E2	86.5	8.4/4.2	104	17.30	20	A606
	900	230/460	215T	NONE	H185	215TTDW7101	\$953	E6	78.5	12.2/6.1	200	17.30		A606
<b>5</b>	3600	200	182T	NONE	<b>E933</b>	182TTDR4104	\$438	E2	86.5	13.8	56	13.72	13,25	N/A
	3600	200	182T	NONE	L631	182TTDR5302	\$442	E6	88.5	14.0	53	14.27	13,25	N/A
	3600	200	182T	NONE	H612 *	182TTDR7910	\$442	E6	82.5	16.0	71	12.72	25	N/A
	3600	208-230/460	182T	NONE	<b>E704</b> *	182TTDR4001	\$438	E2	85.5	13.2-12.2/6.1	74	13.72	13,20,25,CF	N/A
	3600	575	182T	NONE	<b>U908</b>	182TTDR4106	\$438	E2	86.5	4.8	83	13.72	13,25	N/A
	1800	200	184T	NONE	<b>E905</b> *	184TTDR4027	\$425	E2	87.5	15.0	83	13.69	13,25,CF	N/A
	1800	200	184T	NONE	H613 *	184TTDR7627	\$374	E6	85.5	15.1	68	13.72	13,25	N/A
	1800	200-208	184T	AUTO	<b>U427</b> *	184TTDR4153	\$605	E2	87.5	15.0/14.4	76	15.22	13,25	N/A
	1800	208-230/460	184T	NONE	<b>E719</b> *	184TTDB4026	\$425	E2	87.5	14.4-13.0/6.5	89	14.72	DS,13,20,25	N/A
	1800	208-230/460	184T	AUTO	<b>U428</b> *	184TTDR4166	\$605	E2	87.5	14.0-13.0/6.5	79	15.22	13,25	N/A
	1800	575	184T	NONE	<b>E916</b> *	184TTDR4030	\$425	E2	87.5	5.3	89	13.69	13,25,CF	N/A
	1200	200	215T	NONE	<b>E935</b> *	215TTDW4078	\$809	E2	87.5	16.1	145	18.55	13	A606
	1200	200	215T	NONE	H699	215TTDW7078	\$666	E6	85.5	17.3	132	17.30		A606
	1200	230/460	215T	NONE	<b>E732</b> *	215TTDW4076	\$809	E2	87.5	14.0/7.0	135	18.55	13,20	A606
	1200	575	215T	NONE	<b>E936</b>	215TTDW4080	\$809	E2	87.5	5.6	154	18.55	13	A606
	900	230/460	254T	NONE	H186 *	254TTDX7101	\$1,317	E6	82.5	17.0/8.5	156	20.57		A612
<b>7 1/2</b>	3600	200	184T	NONE	<b>E937</b>	184TTDR4103	\$567	E2	87.5	20.2	68	14.72	13,25	N/A
	3600	200	184T	NONE	H615	184TTDR7625	\$526	E6	86.5	20.7	72	13.72	25	N/A
	3600	208-230/460	184T	NONE	<b>E705</b> *	184TTDR4001	\$567	E2	87.5	20.0-17.6/8.8	70	15.22	13,20,25	N/A
	3600	575	184T	NONE	<b>E938</b>	184TTDR4105	\$567	E2	87.5	7.0	78	14.72	13,25	N/A

\* Stock Model

Catalog numbers (Cat No.) highlighted in bold blue have efficiency levels that meet or exceed U.S. EPA and/or NRC Canadian standards.

Continued on next page.

**Footnotes:**

- CF Consult Factory for Accessory Kit and/or Modification Selection
- DS Sourced
- VC Voltage Change Device feature for quick voltage changes
- Z 56HZ with 7/8" shaft dia., 3-1/2" shaft height, and slotted 56 frame base
- 5 56H, 143T, and 145T Combination Base with 12 mounting holes
- 13 F1 Mounting Only, Cannot reassemble to F2
- 20 Rated 60/50 hertz, 190/380 or 380 volt at next lower horsepower
- 25 Motor will NOT accept C-Face Kits



# General Purpose, Three Phase

## Dripproof, Rigid Base

HP	RPM	VOLTS	FRAME	OVER LOAD	CAT. NO.	MODEL NO.	LIST PRICE	MULT. SYMB.	NOM. EFF.	F.L. AMPS	APPROX. WGT. LBS.	"C" DIM.	FOOT NOTES	C-FACE KITS
7 1/2	1800	200	213T	NONE	<b>E906</b> *	213TTDBA4028	\$591	E2	88.5	24.9	109	17.30	DS,13,25	A606
	1800	200	213T	NONE	H616 *	213TTDW7028	\$537	E6	84.0	24.8	90	15.80		A606
	1800	200-208	213T	AUTO	<b>U429</b>	213TTDW4070	\$862	E2	88.5	22.1-21.2	118	18.04	13	A606
	1800	208-230/460	213T	NONE	<b>E720</b> *	213TTDBA4026	\$591	E2	88.5	21.4-19.6/9.8	102	17.30	DS	A606
	1800	208-230/460	213T	AUTO	<b>U430</b> *	213TTDW4054	\$862	E2	88.5	20.0-19.2/9.6	123	18.05	13,20	A606
	1800	575	213T	NONE	<b>E758</b> *	213TTDW4030	\$591	E2	88.5	7.7	113	17.30	13	A606
	1800	575	213T	AUTO	<b>U926</b>	213TTDW4071	\$862	E2	88.5	7.7	118	17.30	13	A606
	1200	230/460	254T	NONE	<b>E733</b> *	254TTDX4076	\$1,012	E2	88.5	21.4/10.7	150	20.57	20	A612
	900	230/460	256T	NONE	H187 *	256TTDX7101	\$1,674	E6	84.0	26.0/13.0	148	22.32		A612
10	3600	200	213T	NONE	<b>E939</b>	213TTDW4003	\$736	E2	88.5	26.9	120	17.30	13	A606
	3600	200	213T	NONE	H618	213TTDW7003	\$679	E6	85.5	28.8	150	15.80		A606
	3600	208-230/460	213T	NONE	<b>E706</b> *	213TTDW4001	\$736	E2	88.5	25.9-23.4/11.7	111	17.30	13	A606
	1800	200	215T	NONE	<b>E907</b> *	215TTDW4028	\$759	E2	89.5	28.8	125	17.30	13	A606
	1800	200	215T	NONE	H619 *	215TTDW7028	\$679	E6	87.5	30.5	102	17.30		A606
	1800	208-230/460	215T	NONE	<b>E721</b> *	215TTDBA4026	\$759	E2	89.5	28.6-26.4/13.2	107	17.30	DS	A606
	1800	460	215T	AUTO	<b>U431</b>	-----	\$974	E2	89.5	12.5	138	18.04	13	----
	1800	575	215T	NONE	<b>E759</b> *	215TTDW4030	\$759	E2	89.5	10.0	123	17.30	13	A606
	1200	230/460	256T	NONE	<b>E734</b> *	256TTDX4076	\$1,180	E2	90.2	28.0/14.0	221	22.32		A612
	900	230/460	284T	NONE	H188	284TTDP7101	\$1,986	E6	85.5	32.0/16.0	310	23.49		A610
15	3600	200	215T	NONE	H621 *	215TTDW7003	\$897	E6	86.5	43.5	132	17.30		A606
	3600	200	215T	NONE	<b>E788</b>	215TTDW4003	\$1,132	E2	90.2	39.1	120	18.55	13	A606
	3600	208-230/460	215T	NONE	<b>E707</b> *	215TTDW4001	\$1,132	E2	90.2	38.0-34.0/17.0	120	18.55	13,20	A606
	1800	200	254T	NONE	<b>E908</b> *	254TTDX4028	\$1,137	E2	91.0	44.2	198	22.32		A612
	1800	200	254T	NONE	H622 *	254TTDX7028	\$891	E6	87.5	45.1	142	20.57		A612
	1800	208-230/460	254T	NONE	<b>E722</b> *	254TTDB4026	\$1,137	E2	91.0	40.0-36.0/18.0	200	20.31	d,DS,13,20,25	N/A
	1800	575	254T	NONE	<b>E760</b> *	254TTDX4030	\$1,137	E2	91.0	15.4	184	22.32		A612
	1200	230/460	284T	NONE	<b>E735</b> *	284TTDP4076	\$1,697	E2	90.2	39.0/19.5	328	23.49		A610
	900	230/460	286T	NONE	H189	286TTDP7101	\$2,611	E6	86.5	45.0/22.5	341	24.99		A610
20	3600	200	254T	NONE	<b>U900</b>	254TTDX4018	\$1,334	E2	91.0	53.1	161	20.57		A612
	3600	200	254T	NONE	H624 *	254TTDX7003	\$1,083	E6	88.5	54.0	145	20.57		A612
	3600	208-230/460	254T	NONE	<b>E708</b> *	254TTDX4001	\$1,334	E2	91.0	51.1-46.2/23.1	187	22.32	20	A612
	1800	200	256T	NONE	H625 *	256TTDX7358	\$1,109	E6	88.5	61.0	200	22.32		A612
	1800	200	256T	NONE	<b>E909</b> *	256TTDX4027	\$1,388	E2	91.0	60.0	236	22.32		A612
	1800	208-230/460	256T	NONE	<b>E723</b> *	256TTDB4026	\$1,388	E2	91.0	54.0-47.0/23.5	232	22.05	DS,13,20,25	N/A
	1800	575	256T	NONE	<b>E761</b> *	256TTDX4032	\$1,388	E2	91.0	20.8	189	22.32		A612
	1200	230/460	286T	NONE	<b>E736</b> *	286TTDP4076	\$2,082	E2	91.0	53.0/26.5	483	24.99	d	A612
	900	230/460	324T	NONE	H190	-----	\$3,143	E6	86.5	60.0/30.0	420	26.00		----
25	3600	200	256T	NONE	H627 *	256TTDX7024	\$1,321	E6	89.5	70.0	250	22.32		A612
	3600	200	256T	NONE	<b>E786</b> *	256TTDX4013	\$1,628	E2	91.0	66.5	200	22.32		A612
	3600	208-230/460	256T	NONE	<b>E709</b> *	256TTDX4001	\$1,628	E2	91.0	63.0-58.0/29.0	214	22.32	20	A612
	1800	200	284T	NONE	<b>E910</b> *	284TTDP4029	\$1,612	E2	91.7	70.0	350	23.49		A610
	1800	200	284T	NONE	H628 *	284TTDP7644	\$1,307	E6	88.5	76.0	340	23.49		A610
	1800	200	284TS	NONE	H629	-----	\$1,307	E6	88.5	75.9	274	22.06		----
	1800	208-230/460	284T	NONE	<b>E724</b> *	284TTDC4026	\$1,612	E2	93.0	65.0-60.0/30.0	414	23.49	DS,20	A287

Blue shaded areas are Cast Iron Frames

\* Stock Model

Catalog numbers (Cat No.) highlighted in bold blue have efficiency levels that meet or exceed U.S. EPCa and/or NRCan Canadian standards.

THREE PHASE

Continued on next page.

**Footnotes:**

- d To be discontinued after current stock is gone
- DS Sourced
- 13 F1 Mounting Only, Cannot reassemble to F2

- 20 Rated 60/50 hertz, 190/380 or 380 volt at next lower horsepower
- 25 Motor will NOT accept C-Face Kits

# General Purpose, Three Phase

## Dripproof, Rigid Base

HP	RPM	VOLTS	FRAME	OVER LOAD	CAT. NO.	MODEL NO.	LIST PRICE	MULT. SYMB.	NOM. EFF.	F.L. AMPS	APPROX. WGH. LBS.	"C" DIM.	FOOT NOTES	C-FACE KITS
<b>25</b>	1800	230/460	284TS	NONE	<b>E793</b>	284TSTDP4036	\$1,612	E2	91.7	61.0/30.5	330	22.06	20	A610
	1800	575	284T	NONE	<b>E762</b> ★	284TTDP4035	\$1,612	E2	91.7	24.4	351	23.49		A610
	1200	230/460	324T	NONE	<b>E737</b> ★	324TTDP4076	\$2,470	E2	91.7	66.0/33.0	480	26.00	20	A613
	900	230/460	326T	NONE	H191	326TTDP7101	\$3,724	E6	87.5	80.0/40.0	520	27.50		A613
<b>30</b>	3600	200	284TS	NONE	<b>U901</b>	284TSTDP4004	\$1,942	E2	91.0	83.0	320	22.06		A613
	3600	200	284TS	NONE	H631★	284TSTDP7025	\$1,500	E6	88.5	84.0	320	22.06		A613
	3600	230/460	284TS	NONE	<b>E710</b> ★	284TSTDP4001	\$1,943	E2	91.0	72.0/36.0	286	22.06	20	A613
	1800	200	286T	NONE	<b>E911</b> ★	286TTDP4027	\$1,875	E2	92.4	83.0	350	24.99		A610
	1800	200	286T	NONE	H632★	286TTDP7641	\$1,526	E6	89.5	91.0	289	24.99		A610
	1800	200	286TS	NONE	H633	-----	\$1,526	E6	89.5	91.0	314	23.56		----
	1800	208-230/460	286T	NONE	<b>E725</b> ★	286TTDC4026	\$1,875	E2	92.4	80.0-70.0/35.0	411	24.99	DS,20	A287
	1800	230/460	286TS	NONE	<b>E794</b>	286TSTDP4038	\$1,875	E2	92.4	72.0/36.0	255	23.56	20	A610
	1800	575	286T	NONE	<b>E763</b> ★	286TTDP4034	\$1,875	E2	92.4	28.8	285	24.99		A610
	1200	230/460	326T	NONE	<b>E738</b> ★	326TTDP4076	\$2,825	E2	92.4	82.0/41.0	634	27.50		A613
	<b>40</b>	3600	200	286TS	NONE	<b>U902</b>	286TSTDP4017	\$2,486	E2	91.7	108	460	23.56	
3600		200	286TS	NONE	H635	286TSTDP7025	\$2,042	E6	88.5	115	340	23.56		A610
3600		230/460	286TS	NONE	<b>E711</b> ★	286TSTDP4001	\$2,486	E2	91.7	94.0/47.0	321	23.56	20	A610
1800		200	324T	NONE	<b>E787</b>	324TTDP4030	\$2,332	E2	93.0	112	542	26.00		A613
1800		200	324T	NONE	H636★	324TTDP7649	\$1,903	E6	89.5	122	521	26.00		A613
1800		200	324TS	NONE	H637	-----	\$1,903	E6	89.5	122	366	24.50		----
1800		230/460	324T	NONE	<b>E726</b> ★	324TTDC4026	\$2,332	E2	93.0	93.0/46.5	489	26.00	DS,20	A613
1800		230/460	324TS	NONE	<b>E789</b> ★	324TSTDP4032	\$2,332	E2	93.0	97.0/48.5	340	24.50		A613
1800		575	324T	NONE	<b>E764</b> ★	324TTDP4028	\$2,332	E2	93.0	39.0	474	26.00		A613
1200		230/460	364T	NONE	<b>E746</b> ★	364TTDS4086	\$4,153	E2	93.0	105/52.5	688	28.62		A216
<b>50</b>		3600	200	324TS	NONE	H639	324TSTDP7017	\$2,517	E6	89.5	143	568	24.50	
	3600	200	324TS	NONE	<b>U909</b>	324TSTDP4006	\$2,954	E2	92.4	135	385	24.50		A613
	3600	230/460	324TS	NONE	<b>E712</b> ★	324TSTDP4001	\$2,954	E2	92.4	117/58.5	437	24.50	20	A613
	1800	200	326T	NONE	H640	326TTDP7626	\$2,221	E6	90.2	150	460	27.50		A613
	1800	200	326T	NONE	<b>E790</b>	326TTDP4046	\$2,718	E2	93.0	142	820	27.50		A613
	1800	200	326TS	NONE	H641	-----	\$2,221	E6	90.2	150	405	26.00		----
	1800	230/460	326T	NONE	<b>E727</b> ★	326TTDC4026	\$2,718	E2	93.0	123/61.5	602	27.50	DS,20	A613
	1800	230/460	326TS	NONE	<b>E791</b> ★	326TSTDP4036	\$2,718	E2	93.0	123/61.5	340	26.00	20	A613
	1800	575	326T	NONE	<b>E765</b> ★	326TTDP4048	\$2,718	E2	93.0	49.0	510	27.50		A613
	1200	230/460	365T	NONE	<b>E747</b> ★	365TTDS4086	\$4,850	E2	93.0	130/65.0	743	29.62	20	A216
	<b>60</b>	3600	200	326TS	NONE	<b>U910</b>	326TSTDP4003	\$3,359	E2	93.0	155	398	26.00	
3600		200	326TS	NONE	H643	-----	\$3,016	E6	90.2	167	469	26.00		----
3600		230/460	326TS	NONE	<b>E713</b> ★	326TSTDP4001	\$3,359	E2	93.0	135/67.5	454	26.00	20	A613
1800		230/460	364T	NONE	<b>E739</b> ★	364TTDC4036	\$3,332	E2	93.6	142/71.0	751	28.62	DS	A216
1800		230/460	364TS	NONE	<b>E768</b> ★	364TSTDC4026	\$3,332	E2	93.6	142/71.0	750	26.50	DS,20	A216
1800		575	364T	NONE	<b>E766</b>	364TTDS4040	\$3,332	E2	93.6	57.5	699	28.62		A216
1200		230/460	404T	NONE	<b>E748</b> ★	404TTDS4086	\$5,658	E2	93.6	143/71.5	1135	32.50	20	A222
<b>75</b>	3600	230/460	364TS	NONE	<b>E714</b> ★	364TSTDS4001	\$4,478	E2	93.0	183/91.5	710	26.50	20	A219
	1800	230/460	365T	NONE	<b>E740</b> ★	365TTDC4036	\$4,058	E2	94.1	176/88.0	820	29.62	DS,20	A216
	1800	230/460	365TS	NONE	<b>E782</b> ★	365TSTDC4026	\$4,058	E2	94.1	176/88.0	779	27.50	DS,20	A216
	1800	575	365T	NONE	<b>E767</b>	365TTDS4041	\$4,058	E2	94.1	71.0	730	29.62		A219
	1200	230/460	405T	NONE	<b>E749</b>	405TTDS4086	\$6,737	E2	93.6	176/88.0	1033	34.00	20	A222

Blue shaded areas are Cast Iron Frames

★ Stock Model

Catalog numbers (Cat No.) highlighted in bold blue have efficiency levels that meet or exceed U.S. EPA and/or NRC Canadian standards.

Continued on next page.

**Footnotes:**

DS Sourced  
20 Rated 60/50 hertz, 190/380 or 380 volt at next lower horsepower

THREE PHASE

# General Purpose, Three Phase

## Dripproof, Rigid Base

HP	RPM	VOLTS	FRAME	OVER LOAD	CAT. NO.	MODEL NO.	LIST PRICE	MULT. SYMB.	NOM. EFF.	F.L. AMPS	APPROX. WGT. LBS.	"C" DIM.	FOOT NOTES	C-FACE KITS
<b>100</b>	3600	230/460	365TS	NONE	<b>E753</b> *	365TSTDS4001	<b>\$5,882</b>	E2	93.0	240/120	736	27.50	20	A219
	1800	230/460	404T	NONE	<b>E741</b> *	404TTDS4036	<b>\$5,175</b>	E2	94.1	236/118	1040	32.50	20	A222
	1800	230/460	404TS	NONE	<b>E780</b> *	404TSTDS4026	<b>\$5,175</b>	E2	94.1	236/118	1013	29.50	20	A225
	1800	575	404T	NONE	<b>U903</b>	404TTDS4042	<b>\$5,175</b>	E2	94.1	94.5	1004	32.50		A222
	1200	230/460	444T	NONE	<b>E750</b>	444TTDS4086	<b>\$8,533</b>	E2	94.1	180/90	1450	37.75		A228
<b>125</b>	3600	460	404TS	NONE	<b>E754</b> *	404TSTDS4001	<b>\$6,905</b>	E2	93.6	142	975	29.50	PW	A225
	1800	460	405T	NONE	<b>E742</b> *	405TTDS4036	<b>\$6,196</b>	E2	94.5	147	1112	34.00	PW	A222
	1800	460	405TS	NONE	<b>E781</b> *	405TSTDS4026	<b>\$6,196</b>	E2	94.5	147	1068	31.00	PW	A225
	1800	575	405T	NONE	<b>U904</b>	405TTDS4049	<b>\$6,196</b>	E2	94.5	118	1083	34.00		A222
	1200	460	445T	NONE	<b>E795</b>	445TTDS4086	<b>\$10,479</b>	E2	94.5	147	1436	39.75		A228
<b>150</b>	3600	460	405TS	NONE	<b>E755</b> *	405TSTDS4001	<b>\$8,901</b>	E2	93.6	169	1028	31.00	PW	A225
	1800	460	444T	NONE	<b>E743</b> *	444TTDS4036	<b>\$8,949</b>	E2	95.0	176	1335	37.75	PW	A228
	1800	460	444TS	NONE	<b>E792</b> *	444TSTDS4026	<b>\$8,949</b>	E2	95.0	176	1276	34.00	PW	A231
	1800	575	444T	NONE	<b>U911</b>	444TTDS4069	<b>\$8,949</b>	E2	95.0	141	1335	37.75		A228
	1200	460	445T	NONE	<b>E796</b>	445TTDS4098	<b>\$11,617</b>	E2	94.5	180	1600	39.75	RB	A228
<b>200</b>	3600	460	444TS	NONE	<b>E756</b> *	444TSTDS4001	<b>\$11,634</b>	E2	94.5	225	1338	34.00	PW	A231
	1800	460	445TS	NONE	<b>U400</b> *	445TSTDS4026	<b>\$11,305</b>	E2	95.0	233	1405	36.00	PW	A231
	1800	460	445T	NONE	<b>E744</b> *	445TTDS4036	<b>\$11,305</b>	E2	95.0	233	1450	39.75	PW, RB	A228
	1800	575	445T	NONE	<b>U912</b>	445TTDS4070	<b>\$11,305</b>	E2	95.0	186	1447	39.75		A228
	1200	460	447T	NONE	<b>E797</b>	447TTDN4089	<b>\$11,965</b>	E2	94.5	238	2151	43.25	F,25, RB	N/A
<b>250</b>	3600	460	445TS	NONE	H119	445TSTDS7001	<b>\$13,478</b>	E6	93.6	275	1445	36.00		A231
	3600	460	445TS	NONE	E757	445TSTDS4001	<b>\$16,555</b>	E2	94.5	279	1406	36.00	PW,20	A231
	1800	460	445T	NONE	E745	445TTDS4037	<b>\$16,712</b>	E2	95.4	287	1561	39.75	PW, RB	A228
	1800	460	445T	NONE	H149*	445TTDS7372	<b>\$11,662</b>	E6	95.0	287	1410	39.75	RB	A228
	1800	460	445TS	NONE	H192	445TSTDS7362	<b>\$11,662</b>	E6	95.0	287	1465	36.00		A231
	1200	460	447T	NONE	H822	447TTDN7087	<b>\$13,179</b>	E6	94.5	300	2245	43.25	F, RB, YD, 25	N/A
<b>300</b>	3600	460	447TS	NONE	H178*	447TSTDN7001	<b>\$15,826</b>	E6	95.0	332	2255	39.50	F, YD	A293
	1800	460	447TS	NONE	H812*	447TSTDN7026	<b>\$12,937</b>	E6	95.4	345	1952	39.50	F, YD	A293
	1200	460	449T	TSTAT	H820	449TTDN7086	<b>\$15,304</b>	E6	95.4	357	2632	48.25	F, YD, 17, 25	N/A
<b>350</b>	3600	460	447TS	NONE	H193*	447TSTDN7003	<b>\$18,128</b>	E6	95.0	385	2068	39.50	F, YD	A293
	1800	460	447TS	NONE	H813*	447TSTDN7027	<b>\$14,278</b>	E6	95.4	400	1950	39.50	F, YD	A293
	1200	460	449T	TSTAT	H821	449TTDN7087	<b>\$20,546</b>	E6	95.0	412	2830	48.25	F, YD, 17, 25	N/A
<b>400</b>	3600	460	447TS	NONE	H817*	447TSTDN7005	<b>\$20,626</b>	E6	95.4	440	2150	39.50	F, YD	A293
	1800	460	447TS	NONE	H814*	447TSTDN7028	<b>\$15,153</b>	E6	95.4	450	2214	39.50	F, YD	A293
<b>450</b>	3600	460	449TS	TSTAT	H818*	449TSTDN7001	<b>\$21,030</b>	E6	95.8	495	2544	44.50	F, YD	A293
	1800	460	449TS	TSTAT	H815	449TSTDN7026	<b>\$15,851</b>	E6	95.4	510	2554	44.50	F, YD	A293
<b>500</b>	3600	460	449TS	TSTAT	H819*	449TSTDN7003	<b>\$22,862</b>	E6	95.8	545	2542	44.50	F, YD	A293
	1800	460	449TS	TSTAT	H816	449TSTDN7027	<b>\$17,076</b>	E6	95.8	560	2695	44.50	F, YD	A293

Blue shaded areas are Cast Iron Frames

\* Stock Model

Catalog numbers (Cat No.) highlighted in bold blue have efficiency levels that meet or exceed U.S. EPA and/or NRC Canadian standards.

**Footnotes:**

- F Class F Insulation
- PW Part Winding Start Capability
- RB Roller Bearing on shaft end for belted loads only
- YD 12 Leads for WYE-DELTA, Part Winding on low voltage, or across-the-line starting
- 17 1.0 Service Factor
- 20 Rated 60/50 hertz, 190/380 or 380 volt at next lower horsepower
- 25 Motor will NOT accept C-Face Kits

# General Purpose, Three Phase

## Dripproof, F-2 Mount, Rigid Base



**Applications:** General purpose use on compressors, pumps, conveyors, fans, blowers, and other machinery requiring NEMA F-2 conduit box orientation. Intended for use in environments that are relatively clean and dry. For use outdoors an enclosure or drip cover may be required (see Accessories section).

- Features:**
- Ball bearings
  - NEMA Service Factors
  - Will accept C-Face Kits except where noted, see Accessories Section
  - UL Recognized and CSA Certified



Suitable for use on VFD per guidelines on page 14.

HP	RPM	VOLTS	FRAME	CAT. NO.	MODEL NO.	LIST PRICE	MULT. SYMB.	NOM. EFF.	F.L. AMPS	APPROX. WGT. LBS.	"C" DIM.	FOOT NOTES	C-FACE KITS
<b>1</b>	1800	200	143T	<b>U913</b>	143TTDR4029	<b>\$278</b>	E2	82.5	3.6	40	12.49		A436
	1800	208-230/460	143T	<b>U406</b>	143TTDR4027	<b>\$278</b>	E2	82.5	3.3-3.1/1.55	40	12.49	5,20	A436
<b>1 1/2</b>	1800	200	145T	<b>U914</b>	-----	<b>\$303</b>	E2	84.0	5.0	44	12.49		A436
	1800	208-230/460	145T	<b>U921</b>	145TTDR4053	<b>\$303</b>	E2	84.0	4.6-4.4/2.2	44	12.49	5,20	A436
<b>2</b>	1800	200	145T	<b>U915</b>	-----	<b>\$334</b>	E2	84.0	6.7	44	12.99		A436
	1800	230/460	145T	<b>U408</b>	145TTDR4027	<b>\$334</b>	E2	84.0	6.2-5.8/2.9	44	12.99	5,20	A436
<b>3</b>	1800	200	182T	<b>U916</b>	182TTDR4129	<b>\$416</b>	E2	86.5	9.9	83	13.71	25	N/A
	1800	230/460	182T	<b>U409</b>	182TTDR4127	<b>\$416</b>	E2	86.5	8.6/4.3	83	13.71	20,25	N/A
<b>5</b>	1800	200	184T	<b>U917</b>	-----	<b>\$487</b>	E2	87.5	14.5	89	15.21	25	N/A
	1800	230/460	184T	<b>U410</b>	-----	<b>\$487</b>	E2	87.5	12.4/6.2	89	15.21	20,25	N/A
<b>7 1/2</b>	1800	200	213T	<b>U918</b>	213TTDW4029	<b>\$708</b>	E2	88.5	22.1	113	17.30		A606
	1800	208-230/460	213T	<b>U411</b>	213TTDW4027	<b>\$708</b>	E2	88.5	21.0-19.2/9.6	113	17.30	20	A606
<b>10</b>	1800	200	215T	<b>U919</b>	-----	<b>\$855</b>	E2	89.5	28.8	123	18.54		A206
	1800	230/460	215T	<b>U412</b>	-----	<b>\$855</b>	E2	89.5	25.0/12.5	123	18.54	20	A206
<b>15</b>	1800	200	254T	<b>U920</b>	-----	<b>\$1,137</b>	E2	91.0	44.2	200	22.32		A612
	1800	208-230/460	254T	<b>U413</b>	254TTDX4027	<b>\$1,137</b>	E2	91.0	42.0-38.5/19.2	215	22.32	20	A612
<b>20</b>	1800	230/460	256T	<b>U414</b>	-----	<b>\$1,388</b>	E2	91.0	52.0/26.0	233	22.32	20	A612

# General Purpose, Three Phase

## Dripproof, C-Face



**Applications:** General purpose use on gear reducers, pumps, machine tools, and other direct-coupled equipment installed in environments that are relatively clean and dry. For use outdoors an enclosure or drip cover may be required (see Accessories section).

- Features:**
- Ball bearings, mechanically locked on shaft end
  - NEMA Service Factors
  - UL Recognized and CSA Certified



Suitable for use on VFD per guidelines on page 14.

HP	RPM	VOLTS	FRAME	CAT. NO.	MODEL NO.	LIST PRICE	MULT. SYMB.	NOM. EFF.	F.L. AMPS	APPROX. WGT. LBS.	"C" DIM.	FOOT NOTES
<b>1/4</b>	1800	208-230/460	56C	G245	56T17D2105	<b>\$192</b>	F1	66.0	1.2-1.3/0.65	22	9.55	20
	1200	208-230/460	56C	G246	-----	<b>\$283</b>	F1	52.5	1.7-2.0/1.0	17	10.44	20
<b>1/3</b>	3600	208-230/460	56C	G240★	56T34D5325	<b>\$166</b>	F1	65.0	1.6-1.8/0.9	19	10.44	d,20
	3600	208-230/460	56C	P001★	56T34D5310	<b>\$166</b>	F1	67.5	1.2-1.1/1.55	19	9.94	20
	1800	208-230/460	56C	G201★	56T17D2106	<b>\$222</b>	F1	68.0	1.5-1.6/0.8	15	9.80	20
	1200	208-230/460	56C	G247	-----	<b>\$300</b>	F1	62.0	1.9-2.2/1.1	18	10.44	20

**Footnotes:**

- d To be discontinued after current stock is gone
- 20 Rated 60/50 hertz, 190/380 or 380 volt at next lower horsepower
- 25 Motor will NOT accept C-Face kit

★ Stock Model

Catalog numbers (Cat No.) highlighted in bold blue have efficiency levels that meet or exceed U.S. EPA and/or NRC Canadian standards.

Continued on next page.



# General Purpose, Three Phase

## Dripproof, C-Face

HP	RPM	VOLTS	FRAME	CAT. NO.	MODEL NO.	LIST PRICE	MULT. SYMB.	NOM. EFF.	F.L. AMPS	APPROX. WGT. LBS.	"C" DIM.	FOOT NOTES
<b>1/2</b>	3600	208-230/460	56C	G241★	56T34D5326	\$188	F1	68.0	2.1-2.2/1.1	19	10.44	d,20
	3600	208-230/460	56C	P002★	56T34D5311	\$188	F1	66.0	2.1-2.2/1.1	19	10.44	20
	1800	208-230/460	56C	G203★	56T17D2107	\$250	F1	68.0	2.1-2.2/1.05	17	10.30	20
	1800	575	56C	G242★	56T17D2115	\$250	F1	68.0	0.9	17	10.30	
	1200	208-230/460	56C	G248	56T11D5311	\$330	F1	68.0	2.4-2.7/1.4	21	10.44	20
<b>3/4</b>	3600	208-230/460	56C	G205★	56T34D5327	\$226	F1	74.0	3.0-3.2/1.6	21	10.44	d,20
	3600	208-230/460	56C	P003★	56T34D5312	\$226	F1	74.0	3.0-3.2/1.6	20	10.44	20
	1800	208-230/460	56C	G207★	56T17D2108	\$279	F1	75.5	2.7-2.8/1.4	21	10.80	20
	1800	575	56C	G243★	56T17D2116	\$279	F1	75.5	1.1	19	10.80	
	1200	208-230/460	56C	G249	-----	\$341	F1	74.0	3.1-3.2/1.6	25	10.94	20
	1200	208-230/460	143TC	C111	143TTDR5378	\$389	E6	74.0	3.1-3.2/1.4	25	10.99	20
<b>1</b>	3600	208-230/460	56C	G209★	56T34D5328	\$257	F1	74.0	3.7-3.7/1.85	22	10.44	d,20
	3600	208-230/460	56C	P004★	56T34D5313	\$257	F1	74.0	3.7-3.7/1.85	20	10.44	20
	1800	208-230/460	56C	G221★	56T17D2109	\$284	F1	77.0	3.4-3.4/1.7	22	11.30	20
	1800	208-230/460	143TC	C120	143TTDR5331	\$334	E6	77.0	3.5-3.6/1.8	27	10.99	20
	1800	575	56C	G244★	56T17D2127	\$284	F1	77.0	1.4	23	11.30	
	1200	208-230/460	56C	G287	-----	\$367	F1	75.5	4.1-4.2/2.1	31	10.94	20
	1200	208-230/460	145TC	C150	145TTDR5377	\$413	E6	75.5	4.1-4.2/2.1	31	11.49	20
<b>1 1/2</b>	3600	208-230/460	56C	G223★	56T34D5329	\$313	F1	80.0	4.9-5.0/2.5	23	10.44	d,20
	3600	208-230/460	56C	P005★	56T34D5314	\$313	F1	80.0	4.9-5.0/2.5	22	10.44	20
	3600	208-230/460	143TC	C101	-----	\$366	E6	80.0	4.9-5.0/2.5	26	10.94	20
	1800	208-230/460	56C	G225★	56T17D5318	\$314	F1	80.0	4.8-4.8/2.4	27	10.94	20
	1800	208-230/460	145TC	C121★	145TTDR5340	\$358	E6	80.0	4.8-4.8/2.4	29	10.99	20
	1200	208-230/460	56C	G288	-----	\$421	F1	78.5	5.45-5.4/2.7	40	10.94	20
	1200	208-230/460	145TC	C162	145TTDR5384	\$432	E6	78.5	5.45-5.4/2.7	40	12.49	20
	1200	230/460	182TC	C151	-----	\$446	E6	75.5	5.0/2.5	58	13.46	20
<b>2</b>	3600	208-230/460	56C	G227★	56T34D5330	\$367	F1	80.0	6.4-6.2/3.1	24	10.44	d,20
	3600	208-230/460	145TC	C102	145TTDR5311	\$413	E6	80.0	6.4-6.2/3.1	26	10.49	20
	3600	208-230/460	56C	P006★	56T34D5315	\$367	F1	80.0	6.4-6.2/3.1	24	10.44	20
	1800	208-230/460	56C	G229★	56T17D5319	\$345	F1	81.5	6.2-6.2/3.1	33	11.94	20
	1800	208-230/460	145TC	C122★	145TTDR5341	\$386	E6	81.5	6.2-6.2/3.1	35	11.99	20
	1200	230/460	184TC	C152	184TTDR7379	\$497	E6	80.0	6.8/3.4	75	14.47	20
<b>3</b>	3600	208-230/460	56C	G289★	56T34D5339	\$412	F1	84.0	8.9-8.4/4.2	31	11.44	d,20
	3600	208-230/460	56C	P007★	56T34D5316	\$412	F1	84.0	8.9-8.4/4.2	34	11.44	20
	3600	208-230/460	145TC	C103★	145TTDR5312	\$454	E6	84.0	8.9-8.4/4.2	33	11.49	20
	1800	208-230/460	145TC	C163	145TTDR5646	\$453	E6	84.0	9.2-8.6/4.3	46	13.49	20
	1800	208-230/460	182TC	C123★	182TTDR8067	\$462	E6	81.5	9.2-9.0/4.5	63	14.28	20
	1200	230/460	213TC	C153	-----	\$614	E6	82.5	10.0/5.0	99	16.53	20
<b>5</b>	3600	208-230/460	182TC	C104★	182TTDR8204	\$575	E6	82.5	14.2-13.2/6.6	62	14.28	20,CF
	1800	208-230/460	184TC	C124★	184TTDR8329	\$504	E6	85.5	14.4-13.2/6.6	84	15.28	20
	1200	230/460	215TC	C154	-----	\$799	E6	85.5	15.0/7.5	100	18.03	20
<b>7 1/2</b>	3600	208-230/460	184TC	C105★	184TTDR9308	\$659	E6	87.5	19.0-17.6/8.8	83	14.70	20,CF
	1800	208-230/460	213TC	C125	213TTDW7046	\$667	E6	84.0	22.0-21.6/10.8	95	16.53	20
	1200	208-230/460	254TC	C155	254TTDX7090	\$1,072	E6	81.5	23.0-22.2/11.1	180	20.92	20
<b>10</b>	3600	208-230/460	213TC	C106★	213TTDW7021	\$812	E6	85.5	28.0-25.0/12.5	95	16.53	20
	1800	208-230/460	215TC	C126	215TTDW7046	\$809	E6	87.5	29.0-26.4/13.2	128	18.03	20
	1200	230/460	256TC	C156	256TTDX7396	\$1,216	E6	87.5	27.6/13.8	189	22.67	20

★ Stock Model

**Footnotes:**

- d To be discontinued after current stock is gone
- CF Consult Factory for Accessory Kit and/or Modification Selection
- 20 Rated 60/50 hertz, 190/380 or 380 volt at next lower horsepower

THREE PHASE

# General Purpose, Three Phase

## Dripproof, C-Face With Rigid Base



**Applications:** General purpose use on gear reducers, pumps, machine tools, and other direct coupled equipment installed in environments that are relatively clean and dry. For use outdoors an enclosure or drip cover may be required (see Accessories section).

- Features:**
- Ball bearings, mechanically locked on shaft end
  - NEMA Service Factors
  - UL Recognized and CSA Certified



Suitable for use on VFD per guidelines on page 14.

HP	RPM	VOLTS	FRAME	CAT. NO.	MODEL NO.	CT SPEED RANGE*	LIST PRICE	MULT. SYMB.	NOM. EFF.	F.L. AMPS	APPROX. WGT. LBS.	"C" DIM.	FOOT NOTES
<b>3</b>	3600	230/460	145TC	<b>U401</b>	-----	2:1	<b>\$514</b>	E2	84.0	8.4/4.2	41	11.44	20
<b>5</b>	3600	208-230/460	182TC	<b>U402</b> ★	182TTDR4108	2:1	<b>\$630</b>	E2	86.5	13.4-12.0/6.0	83	14.46	20
	1800	230/460	184TC	<b>U403</b>	184TTDR4132	2:1	<b>\$617</b>	E2	87.5	13.2/6.6	93	14.96	13,20
<b>7 1/2</b>	3600	208-230/460	184TC	<b>U404</b> ★	184TTDR4107	2:1	<b>\$849</b>	E2	87.5	20.0-17.6/8.8	105	15.46	13,20
	1800	230/460	213TC	<b>U405</b> ★	213TTDW4045	2:1	<b>\$838</b>	E2	88.5	19.2/9.6	115	18.03	20
<b>10</b>	3600	230/460	213TC	<b>U432</b> ★	213TTDW4315	2:1	<b>\$866</b>	E2	88.5	23.4/11.7	138	18.03	YD,20
	1800	208-230/460	215TC	<b>U433</b> ★	215TTDW4335	2:1	<b>\$997</b>	E2	89.5	28.0-25.0/12.5	138	18.03	YD,20
<b>15</b>	3600	230/460	215TC	<b>U435</b> ★	215TTDW4315	2:1	<b>\$1,262</b>	E2	90.2	34.0/17.0	135	19.28	YD,13,20
	1800	208-230/460	254TC	<b>U436</b> ★	254TTDX4065	2:1	<b>\$1,313</b>	E2	91.0	42.0-38.5/19.2	215	22.64	YD,20
<b>20</b>	3600	230/460	254TC	<b>U437</b>	254TTDX4315	2:1	<b>\$1,511</b>	E2	91.0	46.0/23.1	161	20.89	YD,20
	1800	208-230/460	256TC	<b>U438</b>	256TTDX4345	2:1	<b>\$1,564</b>	E2	91.0	55.0-52.0/26.0	233	22.64	A,YD,20
<b>25</b>	3600	230/460	256TC	<b>U439</b>	256TTDX4315	2:1	<b>\$1,804</b>	E2	91.0	58.0/29.0	200	22.64	YD,20
	1800	230/460	284TSC	<b>U440</b>	284TSTDP4062	2:1	<b>\$1,892</b>	E2	91.7	61.0/30.5	346	22.06	YD,20
<b>30</b>	3600	230/460	284TSC	<b>U441</b> ★	284TSTDP4306	2:1	<b>\$2,224</b>	E2	91.0	72.0/36.0	318	22.06	YD,20
	1800	230/460	286TSC	<b>U442</b>	286TSTDP4328	2:1	<b>\$2,155</b>	E2	92.4	72.0/36.0	354	23.56	YD,20
<b>40</b>	3600	230/460	286TSC	<b>U443</b> ★	286TSTDP4310	2:1	<b>\$2,766</b>	E2	91.7	94.0/47.0	354	23.56	YD,20
	1800	230/460	324TSC	<b>U444</b>	324TSTDP4070	----	<b>\$2,734</b>	E2	93.0	97.0/48.5	401	24.50	YD,20
<b>50</b>	3600	230/460	324TSC	<b>U445</b> ★	324TSTDP4016	----	<b>\$3,357</b>	E2	92.4	117/58.5	437	24.50	YD,20
	1800	230/460	326TSC	<b>U446</b>	326TSTDP4055	----	<b>\$3,121</b>	E2	93.0	123/61.5	427	26.00	YD,20
<b>60</b>	3600	230/460	326TSC	<b>U447</b> ★	326TSTDP4310	----	<b>\$3,762</b>	E2	93.0	135/67.5	462	26.00	d,YD,20
	1800	230/460	364TSC	<b>U448</b>	364TSTDS4355	----	<b>\$3,915</b>	E2	93.6	144/72	688	26.50	YD,20
<b>75</b>	3600	230/460	364TSC	<b>U449</b> ★	364TSTDS4313	----	<b>\$5,061</b>	E2	93.0	183/91.5	710	26.50	YD,20
	1800	230/460	365TSC	<b>U450</b>	365TSTDS4634	----	<b>\$4,641</b>	E2	94.1	179/89.5	786	27.50	YD,20
<b>100</b>	3600	230/460	365TSC	<b>U451</b> ★	365TSTDS4324	----	<b>\$6,465</b>	E2	93.0	240/120	773	27.50	YD,20
	1800	230/460	404TSC	<b>U452</b>	404TSTDS4364	----	<b>\$6,045</b>	E2	94.1	236/118	1013	29.50	YD,20
<b>125</b>	3600	460	404TSC	<b>U453</b>	404TSTDS4308	----	<b>\$7,775</b>	E2	93.6	142	975	29.50	YD,20
	1800	460	405TSC	<b>U454</b>	-----	----	<b>\$7,066</b>	E2	94.5	147	1068	31.00	YD,20
<b>150</b>	3600	460	405TSC	<b>U455</b> ★	405TSTDS4302	----	<b>\$9,771</b>	E2	93.6	169	1028	31.00	YD,20
	1800	460	444TSC	<b>U456</b>	444TSTDS4056	----	<b>\$9,903</b>	E2	95.0	176	1335	34.00	YD,13,20

Blue shaded areas are Cast Iron Frames

★ **Stock Model** \* **Requires nameplate modification**

Catalog numbers (Cat No.) highlighted in bold blue have efficiency levels that meet or exceed U.S. EPA and/or NRC Canadian standards.

### Footnotes:

- d To be discontinued after current stock is gone
- A NEMA Design A
- YD 12 Leads for WYE-DELTA, Part Winding on low voltage, or across-the-line starting
- 13 F1 Mounting Only
- 20 Rated 60/50 hertz, 190/380 or 380 volt at next lower horsepower

# General Purpose, Three Phase

## Totally Enclosed, Rigid Base

**Applications:** General purpose use on pumps, fans, blowers, compressors, conveyors, and other industrial machinery installed in damp, dusty, or dirty environments. Additionally, cast iron frame motors may be suitable for the process industries.

**Features:**

- Ball bearings, except where noted
- 1.15 Service Factor
- 60/50 hertz at next lowest horsepower, as noted
- Will accept C-Face Kits except where noted, see Accessories section
- Severe duty kits available for cast iron frame motors, see Accessories section
- Cast iron motors feature shaft slinger, regreasable bearings (182T and larger), lead lugs (364T and larger), and bearing caps on 444T and larger
- Ball bearing, except as noted
- UL Recognized and CSA Certified
- Two year warranty on EPA efficient motors (bold blue Catalog Numbers)



Suitable for use on VFD per guidelines on page 14.

HP	RPM	VOLTS	FRAME	CAT. NO.	MODEL NO.	CT SPEED RANGE*	LIST PRICE	MULT. SYMB.	NOM. EFF.	F.L. AMPS	APPROX. WGT. LBS.	"C" DIM.	FOOT NOTES	C-FACE KITS
<b>1/4</b>	1800	208-230/460	48	K420	48T17F2000	----	<b>\$207</b>	F1	62.5	1.2-1.3/65	14	9.59	20,25	N/A
	1200	208-230/460	56	G301 ★	56T11F5300	2:1	<b>\$297</b>	F1	52.5	1.7-2.0/1.0	20	11.32	20	A437
<b>1/3</b>	3600	208-230/460	56	G307	-----	----	<b>\$189</b>	F1	64.0	1.7-2.0/1.0	17	9.94	N,20	----
	1800	208-230/460	48	K421	-----	----	<b>\$233</b>	F1	65.5	1.5-1.6/8	20	9.59	25	----
	1800	208-230/460	56	G303 ★	56T17F2034	----	<b>\$224</b>	F1	65.5	1.5-1.6/8	16	10.22	20,25	N/A
	1800	575	56	G304 ★	56T17F2043	----	<b>\$224</b>	F1	65.5	0.64	17	10.22	25	N/A
	1200	208-230/460	56	G306 ★	56T11F5301	2:1	<b>\$314</b>	F1	62.0	1.9-2.2/1.1	22	11.32	20	A437
<b>1/2</b>	3600	208-230/460	56	G308 ★	56T34F5328	2:1	<b>\$203</b>	F1	66.0	2.1/2.2/1.1	22	11.82	20	A437
	3600	575	56	G309 ★	56T34F5333	2:1	<b>\$203</b>	F1	66.0	0.9	26	11.82		A437
	1800	208-230/460	48	K422	-----	----	<b>\$261</b>	F1	70.0	2.1-2.2/1.1	23	9.84	25	----
	1800	208-230/460	56	G321 ★	56T17F2035	----	<b>\$250</b>	F1	70.0	2.1-2.2/1.1	18	10.72	20,25	N/A
	1800	575	56	G322 ★	56T17F2044	----	<b>\$250</b>	F1	70.0	0.9	18	10.72	25	N/A
	1200	208-230/460	56	G324 ★	56T11F5302	2:1	<b>\$345</b>	F1	68.0	2.4-2.7/1.35	24	11.82	20	A437
<b>3/4</b>	3600	208-230/460	56	G326 ★	56T34F5329	2:1	<b>\$242</b>	F1	74.0	3.0-3.2/1.6	24	11.82	20	A437
	3600	575	56	G327 ★	56T34F5334	2:1	<b>\$242</b>	F1	74.0	1.3	23	11.82		A437
	1800	200-208	56	G328	56T17F2045	----	<b>\$276</b>	F1	75.5	3.2/3.3	21	11.22	25	N/A
	1800	208-230/460	48	K423	-----	----	<b>\$289</b>	F1	75.5	2.7-2.8/1.4	25	9.84	25	----
	1800	208-230/460	56	G329 ★	56T17F2037	----	<b>\$276</b>	F1	75.5	2.6-2.8/1.4	22	11.22	20,25	N/A
	1800	575	56	G340 ★	56T17F2046	----	<b>\$276</b>	F1	75.5	1.1	22	11.22	25	N/A
	1200	208-230/460	56	G342 ★	56T11F5303	2;1	<b>\$357</b>	F1	74.0	3.2-3.2/1.6	28	12.32	20	A437
	1200	208-230/460	143T	H700 ★	143TTFR5376	2:1	<b>\$347</b>	E6	74.0	3.2-3.2/1.6	28	12.37	20	A438
	1200	208-230/460	143T	H457 ★	143TTFN8076	----	<b>\$347</b>	E6	74.0	3.1-3.2/1.6	46	12.04	20	A603
	<b>1</b>	3600	208-230/460	56	G344 ★	56T34F5330	2:1	<b>\$272</b>	F1	74.0	3.7-3.7/1.85	34	11.82	20
3600		575	56	G345 ★	56T34F5335	2:1	<b>\$272</b>	F1	74.0	1.5	24	11.82		A437
1800		200	143T	<b>E825</b>	143TTTN4028	10:1	<b>\$342</b>	E1	82.5	3.7	47	10.43	N	A603
1800		200	143T	<b>E824</b>	143TTFR4028	10:1	<b>\$325</b>	E8	82.5	3.5	32	12.87		A438
1800		200-208	143T	H664 ★	143TTFR5327	2:1	<b>\$286</b>	E6	77.0	4.15-4.3	26	12.37		A438
1800		208-230/460	56	G347 ★	56T17F5302	2:1	<b>\$289</b>	F1	77.0	3.5-3.6/1.8	26	12.32	20	A437
1800		208-230/460	143T	<b>E950</b> ★	143TTFR4026	10:1	<b>\$325</b>	E8	82.5	3.2-3.0/1.5	38	12.87	20	A438
1800		230/460	143T	<b>E349</b> ★	143TTTN6026	1000:1	<b>\$458</b>	E9	85.5	3.0/1.5	53	10.43	N,X,20	A603
1800		208-230/460	143T	<b>E826</b> ★	143TTTC4026	1000:1	<b>\$342</b>	E1	85.5	3.2-3.0/1.5	51	10.43	DS,N,20	A603
1800		575	56	G348 ★	56T17F5307	2:1	<b>\$289</b>	F1	77.0	1.45	27	12.32		A437
1800		575	143T	<b>E828</b> ★	143TTTN4030	1000:1	<b>\$342</b>	E1	82.5	1.3	57	10.43	N	A603
1800		575	143T	<b>E827</b> ★	143TTFR4030	10:1	<b>\$325</b>	E8	82.5	1.2	31	12.87		A438
1800		575	143T	<b>E300</b> ★	143TTTN6030	1000:1	<b>\$458</b>	E9	85.5	1.2	55	10.43	d,N,X	A603
1200		208-230/460	56H	G360 ★	56T11F5304	2:1	<b>\$382</b>	F1	77.0	3.95-4.0/2.0	35	12.82	5,20	A437
1200		230/460	145T	<b>E350</b> ★	145TTTN6076	1000:1	<b>\$576</b>	E9	80.0	3.3/1.65	60	11.43	N,X,20	A603
1200		230/460	145T	<b>E979</b> ★	145TTFR4076	10:1	<b>\$414</b>	E8	80.0	3.3/1.65	42	13.37	20	A438
1200		230/460	145T	<b>E829</b> ★	145TTTN4076	1000:1	<b>\$437</b>	E1	80.0	3.3/1.65	60	11.43	N,20	A603
1200		575	145T	U672 ★	145TTTN4080	10:1	<b>\$437</b>	E1	80.0	1.3	57	11.43		A603
900		230/460	182T	L409 ★	182TTFS8101	----	<b>\$661</b>	E6	72.0	4.0/2.0	90	14.81	20	A644

Blue shaded areas are Cast Iron Frames

★ **Stock Model** \* **Requires nameplate modification** Catalog numbers (Cat No.) highlighted in bold blue have efficiency levels that meet or exceed U.S. EPA efficient and/or NRC Canadian standards.

**Footnotes:**

- d To be discontinued after current stock is gone
- DS Sourced
- N Totally Enclosed, Non-Ventilated

- X XRI, Ultra High Efficiency Design
- 5 56H, 143T, and 145T Combination Base with 12 mounting holes
- 20 Rated 60/50 hertz, 190/380 or 380 volt at next lower horsepower
- 25 Motor will not accept C Face Kits

THREE PHASE

Continued on next page.

# General Purpose, Three Phase

## Totally Enclosed, Rigid Base

HP	RPM	VOLTS	FRAME	CAT. NO.	MODEL NO.	CT SPEED RANGE*	LIST PRICE	MULT. SYMB.	NOM. EFF.	F.L. AMPS	APPROX. WGT. LBS.	"C" DIM.	FOOT NOTES	C-FACE KITS
<b>1 1/2</b>	3600	200	143T	<b>E831</b>	143TTTN4003	1000:1	\$361	E1	86.5	4.6	58	10.43	N	A603
	3600	200	143T	<b>E830</b>	143TTFR4003	2:1	\$342	E8	82.5	4.6	38	12.87		A438
	3600	208-230/460	56	G383	56T34F5331	2:1	\$328	F1	80.0	4.7-4.6/2.3	28	11.82	20	A437
	3600	208-230/460	143T	<b>E833</b> ★	143TTTN4001	1000:1	\$361	E1	86.5	4.4-4.0/2.0	58	10.43	N,20	A603
	3600	208-230/460	143T	<b>E832</b> ★	143TTFR4001	2:1	\$342	E8	82.5	4.4-4.0/2.0	38	12.87	20	A438
	3600	230/460	143T	<b>E351</b> ★	143TTTN6001	1000:1	\$573	E9	86.5	4.0/2.0	58	10.43	N,X	A603
	3600	575	56	G363	56T34F5336	2:1	\$328	F1	80.0	1.8	25	11.82		A437
	3600	575	143T	<b>E834</b>	143TTFR4005	2:1	\$342	E8	82.5	1.6	38	12.87		A438
	3600	575	143T	<b>E835</b>	143TTTN4005	1000:1	\$361	E1	86.5	1.6	58	10.43	N	A603
	1800	200	145T	<b>E836</b>	145TTFR4029	10:1	\$362	E8	84.0	5.05	50	14.37		A438
	1800	200	145T	<b>U601</b>	145TTTN4032	1000:1	\$380	E1	84.0	5.05	65	11.43	N	A655
	1800	200-208	145T	H665★	145TTFR5328	2:1	\$317	E6	80.0	5.5-5.9	31	12.37		A438
	1800	208-230/460	56H	G365★	56T17F5303	2:1	\$330	F1	80.0	4.8-4.8/2.4	30	12.32	5,20	A437
	1800	230/460	145T	<b>E352</b> ★	145TTTN6026	1000:1	\$497	E9	84.0	4.4/2.2	65	11.43	N,X,20	A655
	1800	208-230/460	145T	<b>E951</b> ★	145TTFR4026	10:1	\$362	E8	84.0	4.6-4.4/2.2	50	14.37	20	A438
	1800	208-230/460	145T	<b>E837</b> ★	145TTTC4026	1000:1	\$380	E1	84.0	4.6-4.2/2.1	60	11.43	DS,N,20	A655
	1800	575	145T	<b>E838</b> ★	145TTFR4038	10:1	\$362	E8	84.0	1.75	50	14.37		A438
	1800	575	145T	<b>E839</b> ★	145TTTN4035	1000:1	\$380	E1	84.0	1.75	65	11.43	N	A655
	1800	575	145T	<b>E301</b>	145TTTN6031	1000:1	\$497	E9	84.0	1.75	65	11.43	N,X	A655
	1200	230/460	182T	<b>E231</b> ★	182TTTS6076	1000:1	\$737	E9	87.5	4.4/2.2	100	12.71	N,X,20	A644
1200	230/460	182T	<b>E982</b> ★	182TTFR4076	10:1	\$428	E8	85.5	5.0/2.5	106	14.97	20	A644	
1200	230/460	182T	<b>E823</b> ★	182TTFS4076	10:1	\$449	E1	85.5	5.0/2.5	82	14.81	20	A644	
900	230/460	184T	L410★	184TTFS8102	----	\$762	E6	74.0	5.8/2.9	105	15.81	20	A644	
<b>2</b>	3600	200	145T	<b>E840</b>	145TTFR4005	2:1	\$397	E8	84.0	6.0	40	13.37		A438
	3600	200	145T	<b>E841</b>	145TTTN4003	1000:1	\$418	E1	86.5	6.0	68	11.43	N	A655
	3600	208-230/460	56H	G384	-----	2:1	\$382	F1	80.0	6.6-6.6/3.3	33	12.32	5,20,25	---
	3600	208-230/460	145T	<b>E994</b> ★	145TTFR4001	2:1	\$397	E8	84.0	5.7-5.2/2.6	40	13.37	20	A438
	3600	230/460	145T	<b>E353</b> ★	145TTTN6001	1000:1	\$601	E9	85.5	5.0/2.5	68	11.43	N,X,20	A655
	3600	208-230/460	145T	<b>E842</b> ★	145TTTN4001	1000:1	\$418	E1	84.0	5.8-5.4/2.7	68	11.43	N,20	A655
	3600	575	56H	G368	56T34F5337	2:1	\$382	F1	80.0	2.4	29	12.32	5	A437
	3600	575	145T	<b>E843</b>	145TTFR4007	2:1	\$397	E8	84.0	2.1	40	13.37		A438
	3600	575	145T	<b>E844</b> ★	145TTTN4005	1000:1	\$418	E1	86.5	2.1	68	11.43	N	A655
	1800	200	145T	<b>E845</b>	145TTFR4032	10:1	\$397	E8	84.0	64.5	46	13.87		A438
	1800	200	145T	<b>U606</b>	145TTTN4030	1000:1	\$418	E1	85.5	64.0	68	11.43	N	A655
	1800	200-208	145T	H666★	145TTFR5330	2:1	\$349	E6	82.5	6.8-6.8	40	13.87		A438
	1800	208-230/460	56H	G369★	56T17F5326	2:1	\$368	F1	82.5	6.0-5.8/2.9	39	13.82	5,20	A437
	1800	208-230/460	145T	<b>E952</b> ★	145TTFR4027	10:1	\$397	E8	84.0	6.0-5.6/2.8	52	13.87	20	A438
	1800	230/460	145T	<b>E354</b> ★	145TTTN6027	1000:1	\$546	E9	85.5	6.0/3.0	68	11.43	N,X	A655
	1800	208-230/460	145T	<b>E846</b> ★	145TTTC4027	1000:1	\$418	E1	84.0	6.0-5.6/2.8	63	11.43	DS,N,20	A655
	1800	575	145T	<b>E847</b> ★	145TTFR4039	10:1	\$397	E8	84.0	2.25	52	13.87		A438
	1800	575	145T	<b>E848</b> ★	145TTTN4040	1000:1	\$418	E1	85.5	2.4	68	11.43	N	A655
	1800	575	145T	<b>E302</b>	145TTTN6030	1000:1	\$546	E9	85.5	2.4	68	11.43	N,X	A655
	1200	230/460	184T	<b>E232</b> ★	184TTTS6076	1000:1	\$911	E9	88.5	6.0/3.0	110	13.71	N,X,20	A644
1200	230/460	184T	<b>E995</b> ★	184TTFR4076	10:1	\$470	E8	86.5	6.0/3.0	72	15.97	20	A644	
1200	230/460	184T	<b>E849</b> ★	184TTFS4076	10:1	\$495	E1	86.5	6.0/3.0	110	15.81	20	A644	
900	230/460	213T	L411★	213TTFS8103	----	\$1,070	E6	80.0	8.0/4.0	153	18.22	20	A206	
<b>3</b>	3600	200	182T	<b>U600</b>	-----	2:1	\$449	E8	85.5	8.5	70	14.97		---
	3600	208-230/460	56H	G385	56T34F5338	2:1	\$428	F1	84.0	8.4-7.6/3.8	43	13.52	5,20	A437
	3600	208-230/460	182T	<b>U602</b> ★	182TTFS4001	2:1	\$471	E1	85.5	8.6-7.4/3.7	90	14.81	20	A644
	3600	208-230/460	182T	<b>E967</b> ★	182TTFR4001	2:1	\$449	E8	85.5	8.2-7.4/3.7	70	14.97	20	A644
	3600	230/460	182T	<b>E216</b> ★	182TTTS6001	1000:1	\$825	E9	87.5	7.6/3.8	100	12.71	N,X,20	A644
	3600	575	56H	G386	-----	2:1	\$428	F1	84.0	3.1	43	13.52	5,25	---
	3600	575	182T	<b>U603</b>	182TTFR4005	2:1	\$449	E8	85.5	2.95	70	14.97		A644
	3600	575	182T	<b>U604</b>	182TTFS4005	2:1	\$471	E1	85.5	2.95	90	14.81		A644

Blue shaded areas are Cast Iron Frames      ★ **Stock Model**      \* **Requires nameplate modification**      Catalog numbers (Cat No.) highlighted in bold blue have efficiency levels that meet or exceed U.S. EPA and/or NRC Canadian standards.

**Footnotes:**

- d To be discontinued after current stock is gone
- DS Sourced
- N Totally Enclosed, Non-Ventilated
- X XRI, Ultra High Efficiency Design
- 5 56H, 143T, and 145T Combination Base with 12 mounting holes
- 20 Rated 60/50 hertz, 190/380 or 380 volt at next lower horsepower
- 25 Motor will not accept C-Face Kit

Continued on next page.



# General Purpose, Three Phase

## Totally Enclosed, Rigid Base

HP	RPM	VOLTS	FRAME	CAT. NO.	MODEL NO.	CT SPEED RANGE*	LIST PRICE	MULT. SYMB.	NOM. EFF.	F.L. AMPS	APPROX. WGT. LBS.	"C" DIM.	FOOT NOTES	C-FACE KITS	
<b>3</b>	1800	200	182T	L633 *	182TTFR5327	2:1	\$389	E6	84.0	9.9	51	15.65	25	A644	
	1800	200	182T	<b>U605</b>	182TTFR4038	10:1	\$425	E8	87.5	9.7	98	14.97		A644	
	1800	208-230/460	182T	H710 *	182TTFR7726	---	\$448	E6	82.5	9.0-8.4/4.2	62	14.97	d,C,20	A644	
	1800	230/460	56H	G387	56T17F5327	2:1	\$391	F1	84.0	8.6/4.3	48	14.82	20	A437	
	1800	208-230/460	182T	<b>E953</b> *	182TTFB4026	10:1	\$425	E8	87.5	8.8-8.2/4.1	74	13.96	DS,20	A644	
	1800	230/460	182T	<b>E201</b> *	182TTTS6026	1000:1	\$740	E9	90.2	8.0/4.0	100	12.71	N,X	A644	
	1800	208-230/460	182T	<b>U607</b> *	182TTFC4026	10:1	\$447	E1	87.5	8.2-7.6/3.8	115	14.81	DS,20	A644	
	1800	575	182T	<b>U608</b> *	182TTFR4040	10:1	\$425	E8	87.5	3.35	100	14.97		A644	
	1800	575	182T	<b>U609</b> *	182TTFS4030	10:1	\$447	E1	87.5	3.35	98	14.81		A644	
	1800	575	182T	<b>E303</b> *	182TTTS6030	1000:1	\$740	E9	90.2	3.2	100	12.71	N,X	A644	
	1200	208-230/460	213T	<b>U610</b> *	213TTFC4076	10:1	\$654	E1	88.5	9.8-9.4/4.7	148	18.19	DS,20	A652	
	1200	230/460	213T	<b>E980</b> *	213TTFW4076	10:1	\$624	E8	87.5	9.2/4.6	100	20.23	20	A609	
	1200	230/460	213T	<b>E233</b> *	213TTFS6076	20:1	\$1,122	E9	89.5	8.8/4.4	180	18.20	X	A206	
	900	230/460	215T	L421 *	215TTFS8101	---	\$1,394	E6	81.5	11.4/5.7	165	19.72	20	A206	
	<b>5</b>	3600	200	184T	<b>U611</b>	184TTFR4003	2:1	\$555	E8	87.5	14.3	80	15.97		A644
3600		208-230/460	184T	<b>U613</b> *	184TTFS4001	2:1	\$582	E1	87.5	13.0-12.4/6.2	110	15.81	20	A644	
3600		230/460	184T	<b>E217</b> *	184TTFS6001	2:1	\$917	E9	89.5	11.8/5.9	120	15.81	X	A644	
3600		208-230/460	184T	<b>E963</b> *	184TTFR4001	2:1	\$555	E8	87.5	13.4-12.4/6.2	81	15.97	20	A644	
3600		575	184T	<b>U614</b>	184TTFR4005	2:1	\$555	E8	87.5	5.0	80	15.97		A644	
3600		575	184T	<b>U615</b> *	184TTFS4005	2:1	\$582	E1	87.5	5.0	110	15.81		A644	
1800		200	184T	<b>U616</b>	184TTFR4038	10:1	\$496	E8	87.5	15	72	15.97		A644	
1800		200	184T	H668 *	184TTFR7727	2:1	\$453	E6	84.0	15.2	78	17.47		A644	
1800		208-230/460	184T	L909 *	184TTFR9339	---	\$521	E6	84.0	14.7-13.6/6.8	92	16.47	d,C,20	A644	
1800		208-230/460	184T	<b>E954</b> *	184TTFB4026	10:1	\$425	E8	87.5	14.2-13.0/6.5	110	14.96	DS,20	A644	
1800		230/460	184T	<b>E202</b> *	184TTFS6026	20:1	\$858	E9	90.2	12.4/6.2	130	15.81	X	A644	
1800		208-230/460	184T	<b>U618</b> *	184TTFC4026	10:1	\$520	E1	87.5	14.0-13.0/6.5	125	15.81	DS,20	A644	
1800		575	184T	<b>U619</b> *	184TTFR4040	10:1	\$496	E8	87.5	5.2	115	14.96	CF	A643	
1800		575	184T	<b>U620</b> *	184TTFS4030	10:1	\$520	E1	86.5	5.2	112	15.81		A644	
1800		575	184T	<b>E304</b>	184TTFS6030	20:1	\$858	E9	90.2	5.0	130	15.81	X	A644	
1200		230/460	215T	<b>E970</b> *	215TTFW4076	10:1	\$897	E8	87.5	14.0/7.0	140	21.48	20	A609	
1200		208-230/460	215T	<b>U621</b> *	215TTFC4076	10:1	\$942	E1	89.5	16.2-16.0/8.0	176	19.61	DS,20	A652	
1200		230/460	215T	<b>E234</b> *	215TTFS6076	20:1	\$1,378	E9	89.5	13.8/6.9	200	19.70	X	A206	
900		230/460	254T	L412 *	254TTFPA8102	---	\$1,924	E6	84.0	17.0/8.5	290	23.69	20	A239	
<b>7 1/2</b>		3600	200	213T	<b>U622</b>	213TTFW4003	2:1	\$725	E8	89.5	21.2	90	20.23		A609
		3600	230/460	213T	<b>E972</b> *	213TTFW4001	2:1	\$725	E8	88.5	18.4/9.2	90	18.73	20	A609
	3600	230/460	213T	<b>E218</b> *	213TTTS6001	1000:1	\$1,108	E9	90.2	17.8/8.9	190	17.19	N,X	A206	
	3600	230/460	213T	<b>U624</b> *	213TTFS4001	2:1	\$762	E1	88.5	19.0/9.5	175	18.20	20	A206	
	3600	575	213T	<b>U625</b>	213TTFW4005	2:1	\$725	E8	88.5	7.4	100	18.73		A609	
	3600	575	213T	<b>U671</b> *	213TTFS4005	2:1	\$762	E1	88.5	7.6	175	18.20		A206	
	1800	200	213T	<b>U627</b>	213TTFW4028	10:1	\$711	E8	89.5	23.0	115	18.73		A609	
	1800	200	213T	H669 *	213TTFW7028	2:1	\$650	E8	87.5	22.3	100	18.73		A609	
	1800	230/460	213T	<b>E203</b> *	213TTFS6026	20:1	\$1,051	E9	91.7	19.2/9.6	200	19.70	X	A206	
	1800	208-230/460	213T	<b>U629</b> *	213TTFC4026	10:1	\$746	E1	89.5	21.0-19.6/9.8	190	18.20	DS,20	A206	
	1800	208-230/460	213T	<b>E955</b> *	213TTFW4026	10:1	\$711	E8	89.5	21.6-20.0/10.0	115	20.23	20	A609	
	1800	208-230/460	213T	L910 *	213TTFW7326	---	\$748	E6	86.5	21.9-21.0/10.5	103	18.73	d,C,20	A609	
	1800	575	213T	<b>U630</b> *	213TTFW4030	10:1	\$711	E8	89.5	8.0	115	18.73		A609	
	1800	575	213T	<b>U631</b> *	213TTFS4030	10:1	\$746	E1	89.5	8.0	200	18.20		A206	
	1800	575	213T	<b>E305</b> *	213TTFS6030	20:1	\$1,051	E9	91.7	7.7	200	19.70	X	A206	
	1200	230/460	257T	<b>U632</b> *	254TTFL14076	10:1	\$1,180	E8	89.5	22.0/11.0	170	24.75	AL,20	A1209	
	1200	230/460	254T	<b>E235</b> *	254TTFNA6076	20:1	\$1,751	E9	91.0	19.8/9.9	325	23.52	X	A284	
	1200	208-230/460	254T	<b>U633</b> *	254TTFC4076	10:1	\$1,239	E1	89.5	21.0-20.0/10.0	250	23.19	DS,20	A653	
900	230/460	256T	L413 *	256TTFPA8102	---	\$2,449	E6	84.0	24.0/12.0	325	25.44	20	A239		

Blue shaded areas are Cast Iron Frames

\* Stock Model

\* Requires nameplate modification

Catalog numbers (Cat No.) highlighted in bold blue have efficiency levels that meet or exceed U.S. EPCa and/or NRCa Canadian standards.

### Footnotes:

d To be discontinued after current stock is gone  
 A NEMA Design A  
 AL Aluminum Frame Construction  
 C NEMA Design C torques  
 CF Consult Factory for Accessory Kit and/or Modification Selection  
 DS Sourced

N Totally Enclosed, Non-Ventilated  
 X XRI, Ultra High Efficiency Design  
 20 Rated 60/50 hertz, 190/380 or 380 volt at next lower horsepower  
 25 Motor will not accept C-Face kit

Continued on next page.

# General Purpose, Three Phase

## Totally Enclosed, Rigid Base

HP	RPM	VOLTS	FRAME	CAT. NO.	MODEL NO.	CT SPEED RANGE*	LIST PRICE	MULT. SYMB.	NOM. EFF.	F.L. AMPS	APPROX. WGT. LBS.	"C" DIM.	FOOT NOTES	C-FACE KITS
<b>10</b>	3600	200	215T	<b>U634</b>	215TTFW4003	2:1	\$847	E8	89.5	27.6	115	20.23		A609
	3600	230/460	215T	<b>U636</b> *	215TTFS4001	2:1	\$889	E1	90.2	24.0/12.0	190	19.70	20	A206
	3600	230/460	215T	<b>E969</b> *	215TTFW4001	2:1	\$847	E8	89.5	24.0/12.0	128	20.23	20	A609
	3600	230/460	215T	<b>E219</b> *	215TTFS6001	2:1	\$1,293	E9	91.7	23.6/11.8	210	19.70	X	A206
	3600	575	215T	<b>U637</b>	215TTFS4005	2:1	\$889	E1	90.2	9.6	190	19.70		A206
	3600	575	215T	<b>H821</b> *	215TTFW4005	2:1	\$847	E8	89.5	9.6	115	20.23	d	A609
	1800	200	215T	<b>H670</b> *	215TTFW7028	2:1	\$808	E6	88.5	28.8	130	20.23		A609
	1800	200	215T	<b>E822</b>	215TTFW4028	10:1	\$861	E8	89.5	29.9	125	20.23		A609
	1800	208-230/460	215T	<b>L911</b> *	215TTFW7326	----	\$929	E6	87.5	28.9-26.0/13.0	123	20.23	d,C,20	A609
	1800	230/460	215T	<b>E204</b> *	215TTFS6026	20:1	\$1,266	E9	91.7	25.0/12.5	225	19.70	X	A206
	1800	208-230/460	215T	<b>U639</b> *	215TTFC4026	10:1	\$904	E1	89.5	28.3-25.6/12.8	200	19.70	DS,20	A206
	1800	208-230/460	215T	<b>E956</b> *	215TTFW4026	10:1	\$861	E8	89.5	28.0-26.0/13.0	125	20.23	20	A609
	1800	575	215T	<b>E306</b>	215TTFS6030	20:1	\$1,266	E9	91.7	10.0	225	19.70	X	A206
	1800	575	215T	<b>U640</b> *	215TTFW4030	10:1	\$861	E8	89.5	10.4	125	20.23		A609
	1800	575	215T	<b>U641</b> *	215TTFS4030	10:1	\$904	E1	89.5	10.0	200	19.70		A206
	1200	230/460	256T	<b>E236</b> *	256TTFNA6076	20:1	\$2,139	E9	91.0	26.2/13.1	425	25.27	X	A284
	1200	208-230/460	256T	<b>U642</b> *	256TTFC4076	10:1	\$1,579	E1	89.5	28.3-26.2/13.1	277	24.92	DS,20	A653
	1200	230/460	256T	<b>E973</b>	256TTFL14076	10:1	\$1,505	E8	89.5	26.0/13.0	225	26.24	AL,20	A1209
	900	230/460	284T	<b>L414</b> *	284TTFPA8102	----	\$2,902	E6	84.0	31.0/15.5	400	26.26	20	A239
	<b>15</b>	3600	200	254T	<b>U643</b>	254TTFL14004	2:1	\$1,175	E8	90.2	40.5	178	22.49	AL
3600		230/460	215T	<b>U670</b> *	215TTFW4007	2:1	\$1,175	E8	90.2	36.0/18.0	140	20.23	20	A609
3600		230/460	254T	<b>U644</b> *	254TTFPA4001	2:1	\$1,234	E1	90.2	36.0/18.0	325	23.69	20	A239
3600		230/460	254T	<b>E220</b> *	254TTFNA6001	2:1	\$1,698	E9	91.7	35.0/17.5	350	23.52	X	A284
3600		230/460	254T	<b>E977</b> *	254TTFL14001	2:1	\$1,175	E8	90.2	35.0/17.5	178	22.49	AL,20	A1209
3600		575	254T	<b>U645</b>	254TTFL14005	2:1	\$1,175	E8	90.2	14.0	178	22.99	AL	A1209
3600		575	254T	<b>U638</b>	254TTFPA4005	2:1	\$1,234	E1	90.2	14.4	325	23.69		A239
1800		200	254T	<b>H623</b> *	254TTFL17039	2:1	\$1,067	E6	88.5	44.4	178	22.49	AL	A1209
1800		200	254T	<b>U646</b>	254TTFL14027	10:1	\$1,167	E8	91.0	46.0	178	22.99	AL	A1209
1800		208-230/460	254T	<b>L912</b>	254TTFL17038	----	\$1,227	E6	88.5	42.0-39.0/19.5	178	22.99	AL,C,20	A1209
1800		208-230/460	254T	<b>E996</b> *	254TTFL14026	10:1	\$1,167	E8	91.0	42.0-40.0/20.0	178	22.99	AL,20	A1209
1800		230/460	254T	<b>E205</b> *	254TTFNA6026	20:1	\$1,594	E9	92.4	37.5/18.8	350	23.52	X	A284
1800		230/460	254T	<b>U647</b> *	254TTFC4026	10:1	\$1,226	E1	91.0	38.0/19.0	350	23.69	DS,20	A601
1800		575	254T	<b>U648</b> *	254TTFNA4030	10:1	\$1,226	E1	91.0	15.6	341	23.52		A284
1800		575	254T	<b>E307</b> *	254TTFNA6030	20:1	\$1,594	E9	92.4	15.1	350	23.52	X	A284
1800		575	254T	<b>E997</b>	254TTFL14030	10:1	\$1,167	E8	91.0	16.0	178	22.99	AL	A1209
1200		230/460	284T	<b>E237</b> *	284TTFNA6076	20:1	\$2,839	E9	91.7	41.0/20.4	475	26.34	X	A618
1200		208-230/460	284T	<b>E978</b> *	284TTFC4076	10:1	\$2,132	E1	90.2	44.7-40.4/20.2	359	26.26	DS,20	A654
900		230/460	286T	<b>L415</b> *	286TTFPA8102	----	\$3,813	E6	86.5	45.0/22.5	450	27.76	20	A617
<b>20</b>		3600	230/460	256T	<b>E221</b> *	256TTFNA6001	2:1	\$2,104	E9	92.4	47.0/23.4	375	25.27	X
	3600	230/460	256T	<b>E974</b> *	256TTFL14001	2:1	\$1,543	E8	90.2	47.0/23.5	180	24.74	AL,20	A1209
	3600	230/460	256T	<b>U649</b> *	256TTFNA4001	2:1	\$1,620	E1	90.2	47.0/23.5	350	25.27	20	A284
	3600	575	256T	<b>U650</b>	256TTFNA4005	2:1	\$1,620	E1	90.2	18.8	350	25.27		A284
	1800	200	256T	<b>U651</b>	256TTFL14027	10:1	\$1,437	E8	91.0	58.5	247	26.24	AL	A1209
	1800	200	256T	<b>H274</b>	256TTFL15027	2:1	\$1,349	E6	88.5	60.0	190	24.74	AL	A1209
	1800	208-230/460	256T	<b>E965</b> *	256TTFL14026	10:1	\$1,437	E8	91.0	55.0-51.0/25.5	250	26.24	AL,20	A1209
	1800	230/460	256T	<b>L913</b>	256TTFL17036	----	\$1,551	E6	88.5	56.0-52.0/26.0	200	24.74	AL,C,20	A1209
	1800	230/460	256T	<b>E206</b> *	256TTFNA6026	20:1	\$1,986	E9	93.0	48.0/24.1	425	25.27	X	A284
	1800	230/460	256T	<b>U652</b> *	256TTFC4026	10:1	\$1,509	E1	91.0	51.0/25.5	376	25.11	DS,20	A601
	1800	575	256T	<b>E308</b> *	256TTFNA6030	20:1	\$1,986	E9	93.0	19.3	425	25.27	X	A284
	1800	575	256T	<b>E998</b> *	256TTFL14030	10:1	\$1,437	E8	91.0	20.4	201	26.24	AL	A1209
	1800	575	256T	<b>U653</b> *	256TTFNA4030	10:1	\$1,509	E1	91.0	20.0	400	25.27		A284
	1200	230/460	286T	<b>E238</b> *	286TTFNA6076	20:1	\$3,459	E9	91.7	53.6/26.8	550	27.84	X	A618
	1200	208-230/460	286T	<b>E968</b> *	286TTFC4076	10:1	\$2,547	E1	90.2	58.2-52.6/26.3	408	27.83	DS,20	A654
	900	230/460	324T	<b>L416</b> *	324TTFPA8104	----	\$4,595	E6	87.5	64.0/32.0	575	28.97	20	A619

Blue shaded areas are Cast Iron Frames

\* Stock Model

\* Requires nameplate modification

Catalog numbers (Cat No.) highlighted in bold blue have efficiency levels that meet or exceed U.S. EPA and/or NRC Canadian standards.

### Footnotes:

- d To be discontinued after current stock is gone
- AL Aluminum Frame Construction
- C NEMA Design C torques
- DS Sourced
- X XRI, Ultra High Efficiency Design
- 20 Rated 60/50 hertz, 190/380 or 380 volt at next lower horsepower

Continued on next page.

# General Purpose, Three Phase

## Totally Enclosed, Rigid Base

HP	RPM	VOLTS	FRAME	CAT. NO.	MODEL NO.	CT SPEED RANGE*	LIST PRICE	MULT. SYMB.	NOM. EFF.	F.L. AMPS	APPROX. WGT. LBS.	"C" DIM.	FOOT NOTES	C-FACE KITS
25	3600	230/460	284TS	<b>E222</b> ★	284TSTFNA6001	2:1	\$2,592	E9	93.6	56.0/28.1	475	24.97	X	A618
	3600	230/460	284TS	<b>E975</b> ★	284TSTFPA4001	2:1	\$1,957	E1	91.0	60.0/30.0	400	24.89	20	A617
	3600	575	284TS	<b>U654</b>	284TSTFPA4005	2:1	\$1,957	E1	91.0	24.0	400	24.89		A617
	1800	208-230/460	284T	<b>E961</b> ★	284TTFC4026	10:1	\$1,778	E1	92.4	65.0-60.0/30.0	450	26.44	DS,20	A611
	1800	230/460	284T	<b>E207</b> ★	284TTFNA6026	20:1	\$2,365	E9	93.6	62.0/31.0	500	26.34	X	A618
	1800	208-230/460	284TS	<b>E999</b> ★	284TSTFPA4036	10:1	\$1,778	E1	92.4	67.0-62.0/31.0	400	24.89	20	A617
	1800	575	284T	<b>E309</b> ★	284TTFNA6030	20:1	\$2,365	E9	93.6	24.8	500	26.34	X	A618
	1800	575	284T	<b>E800</b> ★	284TTFPA4030	10:1	\$1,778	E1	92.4	24.8	400	26.27		A617
	1800	200	284T	<b>U655</b>	284TTFPA4028	10:1	\$1,778	E1	92.4	71.5	400	31.87		A617
	1200	230/460	324T	<b>E239</b> ★	324TTFS6076	20:1	\$4,193	E9	93.0	65.0/32.5	675	28.87	X	A214
	1200	230/460	324T	<b>E820</b> ★	324TTFPA4076	2:1	\$3,089	E1	91.7	67.0/33.5	600	28.97	20	A619
	900	230/460	326T	L417 ★	326TTFPA8107	----	\$5,442	E6	88.5	78.0/39.0	650	30.32	20	A619
30	3600	230/460	286TS	<b>E964</b> ★	286TSTFPA4001	2:1	\$2,157	E1	91.0	72.0/36.0	430	26.30	20	A617
	3600	230/460	286TS	<b>E223</b> ★	286TSTFNA6001	2:1	\$3,027	E9	93.6	67.5/34.0	500	26.47	X	A618
	3600	575	286TS	<b>E318</b>	-----	2:1	\$3,027	E9	93.6	27.0	500	26.47	X	----
	3600	575	286TS	<b>E819</b>	286TSTFPA4005	2:1	\$2,157	E1	91.0	28.8	476	26.30		A617
	1800	208-230/460	286T	<b>E983</b> ★	286TTFC4026	10:1	\$2,159	E1	92.4	78.0-71.0/35.5	500	27.94	DS,20	A611
	1800	230/460	286T	<b>E208</b> ★	286TTFNA6026	20:1	\$2,750	E9	94.1	73.0/36.5	525	27.84	X	A618
	1800	208-230/460	286TS	<b>E818</b> ★	286TSTFPA4036	10:1	\$2,159	E1	92.4	81.0-74.0/37.0	450	26.30	20	A617
	1800	575	286T	<b>E310</b> ★	286TTFNA6030	20:1	\$2,750	E9	94.1	29.2	525	27.84	X	A618
	1800	575	286T	<b>E817</b> ★	286TTFPA4030	10:1	\$2,159	E1	92.4	29.6	450	27.77		A617
	1200	230/460	326T	<b>E240</b> ★	326TTFS6076	20:1	\$4,829	E9	93.0	77.0/38.5	725	30.37	X	A214
	1200	230/460	326T	<b>E966</b> ★	326TTFS4080	2:1	\$3,772	E1	91.7	76.0/38.0	700	30.37	20	A214
	900	460	364T	L420 ★	364TTFS8101	----	\$6,105	E6	91.0	41.0	850	31.50	20,89	A395
40	3600	230/460	324TS	<b>E224</b> ★	324TSTFS6001	2:1	\$3,992	E9	94.1	94.0/47.0	675	27.37	X	A214
	3600	230/460	324TS	<b>E971</b> ★	324TSTFPA4001	2:1	\$2,829	E1	91.7	95.0/47.5	520	27.47	20	A619
	3600	575	324TS	<b>E319</b>	324TSTFS6005	2:1	\$3,992	E9	94.1	37.5	675	27.37	X	A214
	1800	230/460	324T	<b>E209</b> ★	324TTFS6026	20:1	\$3,653	E9	94.1	95.0/47.5	750	30.37	X	A214
	1800	208-230/460	324T	<b>E984</b> ★	324TTFC4026	2:1	\$2,792	E1	93.0	102-92.0/46.0	620	28.82	DS,20	A614
	1800	230/460	324TS	<b>E816</b> ★	324TSTFPA4036	2:1	\$2,792	E1	93.0	100/50.0	575	27.47	20	A619
	1800	575	324T	<b>E815</b> ★	324TTFPA4030	2:1	\$2,792	E1	93.0	40.0	555	28.97		A619
	1800	575	324T	<b>E311</b> ★	324TTFS6030	20:1	\$3,653	E9	94.1	39	750	30.37	X	A214
	1200	230/460	364T	<b>E241</b> ★	364TTFS6086	20:1	\$6,544	E9	93.6	100/50.0	950	31.50	X	A395
	1200	230/460	364T	<b>E988</b> ★	364TTFS4086	2:1	\$4,822	E1	93.0	102/51.0	900	31.50	20	A395
	900	460	365T	L425 ★	365TTFS8115	----	\$7,563	E6	91.0	53.5	970	32.50	20,89	A395
	50	3600	230/460	326TS	<b>E976</b> ★	326TSTFPA4001	2:1	\$3,922	E1	92.4	115/57.5	540	28.82	20
3600		230/460	326TS	<b>E225</b> ★	326TSTFS6001	2:1	\$5,164	E9	94.5	116/58.0	725	28.87	X	A214
3600		575	326TS	<b>E320</b>	326TSTFS6005	2:1	\$5,164	E9	94.5	46.5	725	28.87	X	A214
1800		230/460	326T	<b>E210</b> ★	326TTFS6026	20:1@	\$4,486	E9	94.5	120/60.0	775	31.87	X	A214
1800		230/460	326T	<b>E962</b> ★	326TTFC4026	2:1	\$3,595	E1	93.0	117/58.5	675	30.32	DS,20	A614
1800		230/460	326TS	<b>E801</b> ★	326TSTFPA4036	2:1	\$3,595	E1	93.0	122/61.0	675	28.97	20	A619
1800		575	326T	<b>U659</b> ★	326TTFPA4030	2:1	\$	E1	93.0	49	675	30.47		A619
1800		575	326T	<b>E312</b>	326TTFS6030	20:1@	\$4,486	E9	94.5	48	775	31.87	X	A214
1200		230/460	365T	<b>E242</b> ★	365TTFS6086	20:1@	\$7,516	E9	93.6	123/61.5	1000	32.50	X	A395
1200		230/460	365T	<b>E993</b> ★	365TTFS4086	2:1	\$5,632	E1	93.0	130/65.0	950	32.50	20	A395
900		460	404T	L426 ★	404TTFS8102	----	\$9,010	E6	92.4	69.0	1200	35.62	20,89	A223
60		3600	230/460	364TS	<b>E960</b> ★	364TSTFS4001	2:1	\$5,613	E1	93.0	141/70.5	875	29.38	20,89
	3600	230/460	364TS	<b>E226</b> ★	364TSTFS6001	2:1	\$6,794	E9	94.5	134/67.0	925	29.38	X	A396
	3600	575	364TS	<b>E321</b>	364TSTFS6005	2:1	\$6,794	E9	94.5	53.5	925	29.38	X	A396
	1800	230/460	364T	<b>E211</b> ★	364TTFS6036	20:1@	\$6,436	E9	95.0	138/69.0	1000	31.50	X	A395
	1800	230/460	364T	<b>E985</b> ★	364TTFC4036	2:1	\$5,275	E1	93.6	137/68.5	1016	31.50	DS,20	A217
	1800	230/460	364TS	<b>E802</b> ★	364TSTFS4026	2:1	\$5,275	E1	93.6	144/72.0	945	29.38	20	A396
	1800	575	364T	<b>U660</b> ★	364TTFS4040	2:1	\$5,275	E1	93.6	57.5	975	31.50		A395
	1800	575	364T	<b>E313</b> ★	364TTFS6040	20:1@	\$6,436	E9	95.0	55.0	1000	31.50	X	A395
	1200	230/460	404T	<b>E803</b> ★	404TTFS4086	2:1	\$6,508	E1	93.6	149/74.5	1200	35.62	20	A223
	1200	230/460	404T	<b>E243</b> ★	404TTFS6086	20:1	\$8,806	E9	94.5	144/72.0	1200	35.62	X	A223
	900	460	405T	L427 ★	405TTFS8114	----	\$10,448	E6	91.7	81.0	1350	37.12	20,89	A223

Blue shaded areas are Cast Iron Frames

★ Stock Model

\* Requires nameplate modification

Catalog numbers (Cat No.) highlighted in bold blue have efficiency levels that meet or exceed U.S. EPCan and/or NRCan Canadian standards.

@ Requires "R164" rework (reduces efficiency)

**Footnotes:**

- DS Sourced
- X XRI, Ultra High Efficiency Design
- 20 Rated 60/50 hertz, 190/380 or 380 volt at next lower horsepower
- 89 Threaded NPT opening in conduit box

Continued on next page.

THREE PHASE

# General Purpose, Three Phase

## Totally Enclosed, Rigid Base

HP	RPM	VOLTS	FRAME	CAT. NO.	MODEL NO.	CT SPEED RANGE*	LIST PRICE	MULT. SYMB.	NOM. EFF.	F.L. AMPS	APPROX. WGT. LBS.	"C" DIM.	FOOT NOTES	C-FACE KITS
<b>75</b>	3600	230/460	365TS	<b>E227</b> ★	365TSTFS6001	2:1	\$8,531	E9	94.5	168/84.0	1025	30.38	X	A396
	3600	230/460	365TS	<b>E991</b> ★	365TSTFS4001	2:1	\$6,682	E1	93.0	174/87.0	1000	30.38	20,89	A396
	3600	575	365TS	<b>E322</b>	365TSTFS6002	2:1	\$8,531	E9	94.5	67.0	1025	30.38	X	A396
	1800	230/460	365T	<b>E957</b> ★	365TTFS4036	2:1	\$6,742	E1	94.1	178/89.0	1025	32.50	20	A395
	1800	230/460	365T	<b>E212</b> ★	365TTFS6036	20:1@	\$8,159	E9	95.4	172/86.0	1100	32.50	X	A395
	1800	230/460	365TS	<b>E804</b> ★	365TSTFS4026	2:1	\$6,742	E1	94.1	178/89.0	1026	30.38		A396
	1800	575	365T	<b>E315</b> ★	365TTFS6040	20:1@	\$8,159	E9	95.4	69.0	1100	32.50	X	A395
	1800	575	365T	<b>E805</b> ★	365TTFS4040	2:1	\$6,742	E1	94.1	71.0	1035	32.50		A395
	1200	230/460	405T	<b>E244</b> ★	405TTFS6086	20:1@	\$10,366	E9	94.5	180/90.0	1300	37.12	X	A223
	1200	230/460	405T	<b>E806</b> ★	405TTFS4086	2:1	\$7,821	E1	93.6	185/92.5	1298	37.12	20	A223
	900	460	444T	L428 ★	444TTFS8106	----	\$13,915	E6	93.0	97.0	1900	41.25	20,89	A229
	<b>100</b>	3600	230/460	405TS	<b>E807</b> ★	405TSTFS4001	2:1	\$9,016	E1	94.1	220/110	1239	34.12	20,89
3600		230/460	405TS	<b>E228</b> ★	405TSTFS6001	2:1	\$11,431	E9	95.0	216/108	1250	34.12	X	A226
3600		575	405TS	<b>E323</b>	405TSTFS6005	2:1	\$11,431	E9	95.0	86.5	1250	34.12	X	A226
1800		230/460	405T	<b>E959</b> ★	405TTFS4036	2:1	\$8,132	E1	94.5	228/114	1277	37.12	20	A223
1800		230/460	405T	<b>E213</b> ★	405TTFS6036	20:1@	\$10,080	E9	95.4	226/113	1375	37.12	X	A223
1800		230/460	405TS	<b>E808</b> ★	405TSTFS4026	2:1	\$8,132	E1	94.5	228/114	1273	34.12	20	A226
1800		575	405T	<b>U661</b> ★	405TTFS4040	2:1	\$8,132	E1	94.5	91.0	1267	37.12		A223
1800		575	405T	<b>E314</b> ★	405TTFS6040	20:1@	\$10,080	E9	95.4	90.5	1375	37.12	X	A223
1200		230/460	444T	<b>E245</b>	444TTFS6086	20:1@	\$14,168	E9	94.5	238/119	1850	41.25	X	A229
1200		230/460	444T	<b>E809</b> ★	444TTFS4086	2:1	\$11,007	E1	94.1	238/119	1850	41.25	20	A229
900		460	445T	L429 ★	445TTFN8115	----	\$17,581	E6	93.6	133	2377	43.19	20	A620
<b>125</b>		3600	460	444TS	<b>E229</b> ★	444TSTFS6001	2:1	\$14,944	E9	95.4	136	1750	37.50	PW,X
	3600	460	444TS	<b>E992</b> ★	444TSTFS4001	2:1	\$12,569	E1	94.5	137	1750	37.50	PW,20	A232
	3600	575	444TS	<b>E324</b>	444TSTFS16002	2:1	\$14,944	E9	95.4	109	1750	37.50	PW,X	A232
	1800	460	444T	<b>E214</b> ★	444TTFS6036	20:1@	\$13,270	E9	95.4	141	1850	41.25	PW,X	A229
	1800	460	444T	<b>E987</b> ★	444TTFS4036	2:1	\$10,490	E1	94.5	142	1805	41.25	PW,20	A229
	1800	460	444TS	<b>E810</b> ★	444TSTFS4026	2:1	\$10,490	E1	94.5	142	1787	37.50		A232
	1800	575	444T	<b>E316</b>	444TTFS6044	20:1@	\$13,270	E9	95.4	113	1850	41.25	PW,X	A229
	1800	575	444T	<b>U662</b>	444TTFS4040	2:1	\$10,490	E1	94.5	114	1826	41.25		A229
	1200	460	445T	<b>E246</b> ★	445TTFN6086	20:1@	\$17,402	E9	95.0	155	2050	43.19	X	A620
	1200	460	445	<b>U663</b>	445TTFN4086	2:1	\$13,392	E1	94.5	152	2082	43.19		A620
	900	460	445T	L440	445TTFN8102	----	\$20,442	E6	93.6	169	2500	43.19	H,RB,20	N/A
	<b>150</b>	3600	460	445TS	<b>E230</b>	445TSTFN6001	2:1	\$17,952	E9	95.8	165	2050	39.44	X
3600		460	445TS	<b>E981</b> ★	445TSTFN4001	2:1	\$15,054	E1	95.4	167	2191	39.44	20	A621
1800		460	445T	<b>E986</b> ★	445TTFN4036	2:1	\$12,758	E1	95.0	172	2116	43.19	20	A620
1800		460	445T	<b>E215</b> ★	445TTFN6036	20:1@	\$15,428	E9	95.8	172	2050	43.19	X	A620
1800		460	445TS	<b>E811</b> ★	445TSTFN4026	2:1	\$12,758	E1	95.0	172	2070	39.44		A621
1800		575	445T	<b>E317</b>	445TTFN6037	20:1@	\$15,428	E9	95.8	138	2050	43.19	PW,X	A620
1200		460	445T	<b>E289</b>	445TTFN6087	20:1@	\$19,470	E9	95.8	181	2500	43.19	RB,X	N/A
1200		460	445T	<b>E958</b> ★	445TTFN4087	2:1	\$14,751	E1	95.0	182	2275	43.19	H,RB	N/A
900		460	447/9T	L442	449TTFS8111	----	\$23,061	E6	94.5	206	2967	51.69	H,RB,20	N/A
<b>200</b>		3600	460	445TS	<b>E285</b>	-----	----	\$22,710	E9	95.8	222	2350	39.44	X
	3600	460	445TS	<b>E812</b> ★	445TSTFN4005	2:1	\$18,811	E1	95.0	222	2262	39.44	H,20	A621
	1800	460	445T	<b>E247</b> ★	445TTFN6038	20:1@	\$18,763	E9	96.2	226	2350	43.19	RB,X	N/A
	1800	460	445T	<b>E989</b> ★	445TTFN4038	2:1	\$15,500	E1	95.0	225	2287	43.19	RB,20	N/A
	1800	460	445TS	<b>E813</b> ★	445TSTFN4028	2:1	\$15,500	E1	95.0	225	2215	39.44	20	A621
	1800	575	445T	<b>U667</b>	445TTFN4049	2:1	\$15,500	E1	95.0	180	2311	43.19		A620
	1800	460	445T	<b>U669</b>	445TTFN4059	2:1	\$15,500	E1	95.0	225	2287	43.19	20	A620
	1800	575	445T	<b>E326</b>	445TTFN6039	20:1@	\$18,763	E9	96.2	181	2350	43.19	RB,X	N/A
	1200	460	447/9T	<b>E282</b>	-----	----	\$23,834	E9	95.8	240	2900	51.69	H,RB,X	----
	1200	460	447/9T	<b>E814</b> ★	449TTFS4088	2:1	\$16,787	E1	95.0	243	2740	51.69	H,RB,YD,20	N/A
	900	460	447/9T	L449 ★	449TTFS8110	----	\$23,456	E6	94.5	270	3389	51.69	H,RB,YD,20	N/A

Blue shaded areas are Cast Iron Frames

★ Stock Model

\* Requires nameplate modification

Catalog numbers (Cat No.) highlighted in bold blue have efficiency levels that meet or exceed U.S. EPA and/or NRC Canadian standards.

@ Requires "R164" rework (reduces efficiency)

Continued on next page.

**Footnotes:**

H Class H Insulation  
 PW Part Winding Start Capability  
 RB Roller Bearing on shaft end for belted loads only  
 X XRI, Ultra High Efficiency Design

YD 12 Leads for WYE-DELTA, Part Winding on low voltage, or across-the-line starting  
 20 Rated 60/50 hertz, 190/380 or 380 volt at next lower horsepower  
 89 Threaded NPT opening in conduit box



# General Purpose, Three Phase

## Totally Enclosed, Rigid Base

HP	RPM	VOLTS	FRAME	CAT. NO.	MODEL NO.	CT SPEED RANGE	LIST PRICE	MULT. SYMB.	NOM. EFF.	F.L. AMPS	APPROX. WGT. LBS.	"C" DIM.	FOOT NOTES	C-FACE KITS
250	3600	460	445TS	L450	445TSTFN8007	----	\$21,734	E9	94.5	275	2266	39.44	H,17,20	A621
	3600	460	447/9TS	E271	449TSTFS6003	2:1	\$28,641	E9	96.5	274	2700	47.88	H,X	A624
	3600	460	447/9TS	L451*	449TSTFS8003	----	\$21,734	E9	95.0	280	2450	47.88	H,YD,20	A624
	1800	460	445T	E287*	445TTFN6040	20:1@	\$23,540	E9	95.8	285	2450	43.19	RB,X	N/A
	1800	460	445T	L452*	445TTFN8040	----	\$17,695	E9	95.0	285	2395	43.19	H,RB,YD,20	N/A
	1800	460	447/9T	L455	449TTFS8028	----	\$17,695	E9	95.0	290	2600	51.69	H,YD,20	A623
	1800	460	447/9T	E276	449TTFS6038	20:1@	\$27,071	E9	96.5	285	2850	51.69	A,H,RB,X	N/A
	1800	460	447/9T	L454*	449TTFS8038	----	\$17,695	E9	95.0	290	2775	51.69	H,RB,YD,20	N/A
	1800	575	445T	L453	445TTFN8041	----	\$17,695	E9	95.0	228	2394	43.19	RB	N/A
	1200	460	447/9T	L456*	449TTFS8087	----	\$19,767	E9	95.4	300	3394	51.69	H,RB,YD,20	N/A
	1200	460	447/9T	L457	449TTFS8077	----	\$19,767	E9	95.4	300	3200	51.69	H,YD,20	A623
	1200	460	447/9T	E283	449TTFS6087	20:1@	\$27,398	E9	95.8	300	3345	51.69	H,RB,X	N/A
	900	460	447/9TZ	L471	449TTFS18105	----	\$21,616	E6	94.5	330	3586	56.71	H,RB,YD,17	N/A
	300	3600	460	447/9TS	L459*	449TSTFS8002	----	\$26,904	E9	95.4	330	2702	47.88	H,YD,20
3600		460	447/9TS	E272	449TSTFS6002	2:1	\$37,124	E9	96.2	330	2900	47.88	H,X	A624
1800		460	445T	L460*	445TTFN8042	----	\$19,903	E9	95.0	340	2410	43.19	H,RB,YD,17	N/A
1800		460	447/9T	L462*	449TTFS8037	----	\$19,903	E9	95.4	338	2960	51.69	H,RB,YD,20	N/A
1800		460	447/9T	L463*	449TTFS8027	----	\$19,903	E9	95.4	338	3041	51.69	H,YD,20	A623
1800		460	447/9T	E277	449TTFS6037	20:1@	\$26,900	E9	96.5	339	3150	51.69	H,RB,X	N/A
1800		575	445T	L461	445TTFN8043	----	\$19,903	E9	95.0	272	2428	43.19	H,RB,YD,17	N/A
1800		575	447/9T	L472	449TTFS18043	----	\$19,903	E9	95.0	330	3586	56.69	H,RB,YD	N/A
1200		460	447/9T	E284	449TTFS6390	----	\$36,173	E9	95.8	362	3850	56.71	H,RB,X	N/A
1200		460	447/9T	L465*	449TTFS8076	----	\$22,959	E9	95.4	360	3440	51.69	H,YD,17,20	A623
1200		460	447/9T	L464*	449TTFS8086	----	\$22,959	E9	95.4	360	3428	51.69	H,RB,YD,17,20	N/A
350		3600	460	447/9TS	E273	449TSTFS6001	2:1	\$42,573	E9	96.2	382	2898	47.88	X
	3600	460	447/9TS	L466*	449TSTFS8001	----	\$30,903	E9	95.4	380	3057	47.88	H,YD,20	A624
	1800	460	447/9T	E278	-----	2:1	\$35,102	E9	95.8	395	3400	51.69	H,RB,X	----
	1800	460	447/9T	L467*	449TTFS8036	----	\$22,844	E9	95.4	400	3202	51.69	H,RB,YD	N/A
400	1800	460	447/9T	E291	-----	----	\$35,421	E9	95.8	455	3800	56.71	H,X	----
	1800	460	447/9T	L469	449TTFS8039	----	\$24,245	E9	95.0	460	3234	51.69	H,RB,17	N/A
450	1800	460	447/9T	E292	449TTFS6065	----	\$36,316	E9	96.5	515	3800	56.71	H,X	A623

Blue shaded areas are Cast Iron Frames

\* Stock Model

\* Requires nameplate modification

@ Requires "R164" rework  
(reduces efficiency)

### Footnotes:

- A NEMA Design A
- H Class H Insulation
- RB Roller Bearing on shaft end for belted loads only
- X XRI, Ultra High Efficiency Design
- YD 12 Leads for WYE-DELTA, Part Winding, or across-the-line starting
- 17 1.0 Service Factor
- 20 Rated 60/50 hertz, 190/380 or 380 volt at next lower horsepower



# General Purpose, Three Phase

Blue Chip®, Totally Enclosed, Rigid Base



**Applications:** General purpose use on pumps, fans, blowers, compressors, conveyors, and other industrial machinery installed in damp, dusty, or dirty environments. Additionally, cast iron frame motors may be suitable for the process industries.

- Features:**
- 1.15 Service Factor
  - Nameplated 60/50 hertz at next lowest horsepower
  - Motors accept C-face kits as shown in table on page 46
  - Severe duty kits available, see Accessories section
  - Cast iron motors feature: shaft slinger, regreasable bearings (182T and larger), lead lugs (364T and larger), and bearing caps on 444T and larger
  - Ball bearings, except where noted
  - UL Recognized and CSA Certified
  - Two year warranty on EPA efficient motors (bold blue Catalog Numbers)



Suitable for use on VFD per guidelines on page 14.

HP	RPM	VOLTS	FRAME	CAT. NO.	MODEL NO.	GT SPEED RANGE*	LIST PRICE	MULT. SYMB.	NOM. EFF.	F.L. AMPS	APPROX. WGT. LBS.	"C" DIM.	FOOT NOTES	C-FACE KITS	
<b>3/4</b>	1200	208-230/460	143T	H457 ★	143TTFN8076	2:1	<b>\$347</b>	E6	74.0	3.1-3.2/1.6	46	12.04	20	A603	
	<b>1</b>	1800	200	143T	<b>E825</b>	143TTTN4028	1000:1	<b>\$342</b>	E1	82.5	3.7	47	10.43	N	A603
		1800	208-230/460	143T	<b>E826</b> ★	143TTTC4026	1000:1	<b>\$342</b>	E1	85.5	3.2-3.0/1.5	55	10.43	DS,N,20	A603
		1800	575	143T	<b>E828</b> ★	143TTTN4030	1000:1	<b>\$342</b>	E1	82.5	1.3	55	10.43	N	A603
		1200	230/460	145T	<b>E829</b> ★	145TTTN4076	1000:1	<b>\$437</b>	E1	80.0	3.4/1.7	60	11.43	N,20	A655
		1200	575	145T	U672 ★	145TTTN4080	1000:1		E1	80.0	1.3	57	11.43	N	A655
900	230/460	182T	L409 ★	182TTFS8101	----	<b>\$661</b>	E6	72.0	4.0/2.0	90	14.81	20	A644		
<b>1 1/2</b>	3600	200	143T	<b>E831</b>	143TTTN4003	1000:1	<b>\$361</b>	E1	86.5	4.6	58	10.43	N	A603	
	3600	208-230/460	143T	<b>E833</b> ★	143TTTN4001	1000:1	<b>\$361</b>	E1	82.5	4.4-4.0/2.0	58	10.43	N,20	A603	
	3600	575	143T	<b>E835</b>	143TTTN4005	1000:1	<b>\$361</b>	E1	86.5	1.6	58	10.43	N	A603	
	1800	200	145T	<b>U601</b>	145TTTN4032	1000:1	<b>\$380</b>	E1	84.0	5.1	65	11.43	N	A655	
	1800	208-230/460	145T	<b>E837</b> ★	145TTTC4026	1000:1	<b>\$380</b>	E1	84.0	4.6-4.2/2.1	60	11.43	DS,N,20	A655	
	1800	575	145T	<b>E839</b> ★	145TTTN4035	1000:1	<b>\$380</b>	E1	84.0	1.8	65	11.43	N	A655	
	1200	230/460	182T	<b>E823</b> ★	182TTFS4076	10:1	<b>\$449</b>	E1	85.5	5.0/2.5	82	14.81	20	A644	
	900	230/460	184T	L410 ★	184TTFS8102	----	<b>\$762</b>	E6	74.0	5.8/2.9	105	15.81	20	A644	
	<b>2</b>	3600	200	145T	<b>E841</b>	145TTTN4003	1000:1	<b>\$418</b>	E1	86.5	6.0	68	11.43	N	A655
3600		208-230/460	145T	<b>E842</b> ★	145TTTN4001	1000:1	<b>\$418</b>	E1	84.0	5.8-5.4/2.7	68	11.43	N,20	A655	
3600		575	145T	<b>E844</b> ★	145TTTN4005	1000:1	<b>\$418</b>	E1	86.5	2.1	68	11.43	N,d	A655	
1800		200	145T	<b>U606</b>	145TTTN4030	1000:1	<b>\$418</b>	E1	85.5	6.9	68	11.43	N	A655	
1800		208-230/460	145T	<b>E846</b> ★	145TTTC4027	1000:1	<b>\$418</b>	E1	84.0	6.0-5.6/2.8	65	11.43	DS,N,20	A655	
1800		575	145T	<b>E848</b> ★	145TTTN4040	1000:1	<b>\$418</b>	E1	85.5	2.4	68	11.43	N	A655	
1200		230/460	184T	<b>E849</b> ★	184TTFS4076	10:1	<b>\$495</b>	E1	86.5	6.0/3.0	98	15.81	20	A644	
900		230/460	213T	L411 ★	213TTFS8103	----	<b>\$1,070</b>	E6	80.0	8.0/4.0	153	18.22	20	A206	
<b>3</b>	3600	208-230/460	182T	<b>U602</b> ★	182TTFS4001	2:1	<b>\$471</b>	E1	85.5	8.6-7.4/3.7	90	14.81	20	A644	
	3600	575	182T	<b>U604</b>	182TTFS4005	2:1	<b>\$471</b>	E1	85.5	3.0	90	14.81		A644	
	1800	208-230/460	182T	<b>U607</b> ★	182TTFC4026	10:1	<b>\$447</b>	E1	87.5	8.4-7.6/3.8	115	14.81	DS,20	A644	
	1800	575	182T	<b>U609</b> ★	182TTFS4030	10:1	<b>\$447</b>	E1	87.5	3.4	98	14.81		A644	
	1200	208-230/460	213T	<b>U610</b> ★	213TTFC4076	10:1	<b>\$654</b>	E1	88.5	9.8-9.4/4.7	148	18.19	DS,20	A652	
	900	230/460	215T	L421 ★	215TTFS8101	----	<b>\$1,394</b>	E6	81.5	11.4/5.7	165	19.72	20	A206	
<b>5</b>	3600	208-230/460	184T	<b>U613</b> ★	184TTFS4001	2:1	<b>\$582</b>	E1	87.5	13.0-12.4/6.2	110	15.81	20	A644	
	3600	575	184T	<b>U615</b> ★	184TTFS4005	2:1	<b>\$582</b>	E1	87.5	4.9	80	15.81		A644	
	1800	208-230/460	184T	<b>U618</b> ★	184TTFC4026	10:1	<b>\$520</b>	E1	87.5	14.0-13.0/6.5	125	15.81	DS,20	A644	
	1800	575	184T	<b>U620</b> ★	184TTFS4030	10:1	<b>\$520</b>	E1	87.5	5.2	112	15.81		A644	
	1200	208-230/460	215T	<b>U621</b> ★	215TTFC4076	10:1	<b>\$942</b>	E1	89.5	16.2-16.0/8.0	176	19.61	DS,20	A652	
	900	230/460	254T	L412 ★	254TTFPA8102	----	<b>\$1,924</b>	E6	84.0	17.0/8.5	290	23.69	20	A239	
<b>7 1/2</b>	3600	230/460	213T	<b>U624</b> ★	213TTFS4001	2:1	<b>\$762</b>	E1	88.5	19.0/9.5	175	18.20	20	A206	
	3600	575	213T	<b>U671</b> ★	213TTFS4005	2:1	<b>\$762</b>	E1	88.5	7.6	175	18.20		A206	
	1800	208-230/460	213T	<b>U629</b> ★	213TTFC4026	10:1	<b>\$746</b>	E1	89.5	21.0-19.6/9.8	190	18.20	DS,20	A206	
	1800	575	213T	<b>U631</b> ★	213TTFS4030	10:1	<b>\$746</b>	E1	89.5	8.0	200	18.20		A206	
	1200	208-230/460	254T	<b>U633</b> ★	254TTFC4076	10:1	<b>\$1,239</b>	E1	89.5	21.0-20.0/10.0	250	23.19	DS,20	A653	
	900	230/460	256T	L413 ★	256TTFPA8102	----	<b>\$2,449</b>	E6	84.0	24.0/12.0	325	25.44	20	A239	

Blue shaded areas are Cast Iron Frames

★ Stock Model

\* Requires nameplate modification

Catalog numbers (Cat No.) highlighted in bold blue have efficiency levels that meet or exceed U.S. EPA and/or NRC Canadian standards.

**Footnotes:**

d To be discontinued after current stock is gone  
A NEMA Design A

DS Sourced  
N Totally Enclosed, Non-Ventilated  
20 Rated 60/50 hertz, 190/380 or 380 volt at next lower horsepower

Continued on next page.

# General Purpose, Three Phase

## Blue Chip®, Totally Enclosed, Rigid Base

HP	RPM	VOLTS	FRAME	CAT. NO.	MODEL NO.	CT SPEED RANGE*	LIST PRICE	MULT. SYMB.	NOM. EFF.	F.L. AMPS	APPROX. WGT. LBS.	"C" DIM.	FOOT NOTES	C-FACE KITS
10	3600	230/460	215T	<b>U636</b> *	215TTFS4001	2:1	\$889	E1	90.2	24.0/12.0	190	19.70	20	A206
	3600	575	215T	<b>U637</b>	215TTFS4005	2:1	\$889	E1	90.2	9.6	190	19.70		A206
	1800	208-230/460	215T	<b>U639</b> *	215TTFC4026	10:1	\$904	E1	89.5	28.4-25.6/12.8	200	19.70	DS,20	A206
	1800	575	215T	<b>U641</b> *	215TTFS4030	10:1	\$904	E1	89.5	10.0	200	19.70		A206
	1200	208-230/460	256T	<b>U642</b> *	256TTFC4076	10:1	\$1,579	E1	89.5	28.3-26.2/13.1	277	24.92	DS,20	A653
	900	230/460	284T	L414*	284TTFPA8102	----	\$2,902	E6	84.0	31.0/15.5	400	26.26	20	A239
15	3600	230/460	254T	<b>U644</b> *	254TTFPA4001	2:1	\$1,234	E1	90.2	36.0/18.0	325	23.69	20	A239
	3600	575	254T	<b>U638</b>	254TTFPA4005	2:1	\$1,234	E1	90.2	14.4	260	23.69		A239
	1800	230/460	254T	<b>U647</b> *	254TTFC4026	10:1	\$1,226	E1	91.0	38.0/19.0	350	23.69	DS,20	A601
	1800	575	254T	<b>U648</b> *	254TTFNA4030	10:1	\$1,226	E1	91.0	15.6	341	23.52		A284
	1200	208-230/460	284T	<b>E978</b> *	284TTFC4076	10:1	\$2,132	E1	90.2	44.7-40.4/20.2	359	26.26	DS,20	A654
	900	230/460	286T	L415*	286TTFPA8102	----	\$3,813	E6	86.5	45.0/22.5	450	28.97	20	A617
20	3600	230/460	256T	<b>U649</b> *	256TTFNA4001	2:1	\$1,620	E1	90.2	47.0/23.5	350	25.27	20	A284
	3600	575	256T	<b>U650</b>	256TTFNA4005	2:1	\$1,620	E1	90.2	18.8	350	25.27		A284
	1800	230/460	256T	<b>U652</b> *	256TTFC4026	10:1	\$1,509	E1	91.0	51.0/25.5	376	25.11	DS,20	A601
	1800	575	256T	<b>U653</b> *	256TTFNA4030	10:1	\$1,509	E1	91.0	20.0	341	25.27		A284
	1200	208-230/460	286T	<b>E968</b> *	286TTFC4076	10:1	\$2,547	E1	90.2	58.2-52.6/26.3	408	27.83	DS,20	A654
	900	230/460	324T	L416*	324TTFPA8104	----	\$4,595	E6	87.5	64.0/32.0	575	28.97	20	A619
25	3600	230/460	284TS	<b>E975</b> *	284TSTFPA4001	2:1	\$1,957	E1	91.0	60.0/30.0	400	24.89	20	A617
	3600	575	284TS	<b>U654</b>	284TSTFPA4005	2:1	\$1,957	E1	91.0	24.0	400	24.89		A617
	1800	208-230/460	284T	<b>E961</b> *	284TTFC4026	10:1	\$1,778	E1	92.4	64.0-58.0/29.0	450	26.44	DS,20	A611
	1800	208-230/460	284TS	<b>E999</b> *	284TSTFPA4036	10:1	\$1,778	E1	92.4	68.0-63.0/31.5	400	24.89	20	A617
	1800	575	284T	<b>E800</b> *	284TTFPA4030	10:1	\$1,778	E1	92.4	24.8	400	26.27		A617
	1800	200	284T	U655	284TTFPA4028	10:1	\$1,778	E1	92.4	71.0	400	31.87		A617
	1200	230/460	324T	<b>E820</b> *	324TTFPA4076	2:1	\$3,089	E1	91.7	67.0/33.5	600	28.97	20	A619
	900	230/460	326T	L417*	326TTFPA8107	----	\$5,442	E6	88.5	78.0/39.0	650	30.32	20	A619
	30	3600	230/460	286TS	<b>E964</b> *	286TSTFPA4001	2:1	\$2,157	E1	91.0	72.0/36.0	430	26.30	20
3600		575	286TS	<b>E819</b>	286TSTFPA4005	2:1	\$2,157	E1	91.0	28.8	476	26.30		A617
1800		208-230/460	286T	<b>E983</b> *	286TTFC4026	10:1	\$2,159	E1	92.4	77.0-71.0/35.5	500	27.94	DS,20	A611
1800		208-230/460	286TS	<b>E818</b> *	286TSTFPA4036	10:1	\$2,159	E1	92.4	81.0-74.0/37.0	450	26.30	20	A617
1800		575	286T	<b>E817</b> *	286TTFPA4030	10:1	\$2,159	E1	92.4	29.6	450	27.76		A617
1200		230/460	326T	<b>E966</b> *	326TTFS4080	2:1	\$3,772	E1	91.7	76.0/38.0	700	30.37	20	A214
900		460	364T	L420*	364TTFS8101	----	\$6,105	E6	91.0	41.0	850	31.50	20,89	A395
40	3600	230/460	324TS	<b>E971</b> *	324TSTFPA4001	2:1	\$2,829	E1	91.7	95.0/47.5	520	27.47	20	A619
	1800	208-230/460	324T	<b>E984</b> *	324TTFC4026	2:1	\$2,792	E1	93.0	102-92.0/46.0	620	28.82	DS,20	A614
	1800	230/460	324TS	<b>E816</b> *	324TSTFPA4036	2:1	\$2,792	E1	93.0	100/50.0	575	27.47	20	A619
	1800	575	324T	<b>E815</b> *	324TTFPA4030	2:1	\$2,792	E1	93.0	40.0	555	28.97		A619
	1200	230/460	364T	<b>E988</b> *	364TTFS4086	2:1	\$4,822	E1	93.0	102/51.0	900	31.50	20	A395
	900	460	365T	L425*	365TTFS8115	----	\$7,563	E6	91.0	53.5	970	32.50	20,89	A395
50	3600	230/460	326TS	<b>E976</b> *	326TSTFPA4001	2:1	\$3,922	E1	92.4	115/57.5	540	28.82	20	A619
	1800	230/460	326T	<b>E962</b> *	326TTFC4026	2:1	\$3,595	E1	93.0	117/58.5	675	30.32	DS,20	A614
	1800	230/460	326TS	<b>E801</b> *	326TSTFPA4036	2:1	\$3,595	E1	93.0	122/61.0	675	28.97	20	A619
	1800	575	326T	<b>U659</b> *	326TTFPA4030	2:1	\$3,595	E1	93.0	49.0	675	30.47		A619
	1200	230/460	365T	<b>E993</b> *	365TTFS4086	2:1	\$5,632	E1	93.0	130/65.0	950	32.50	20	A395
	900	460	404T	L426*	404TTFS8102	----	\$9,010	E6	92.4	69.0	1200	35.62	20,89	A223
60	3600	230/460	364TS	<b>E960</b> *	364TSTFS4001	2:1	\$5,613	E1	93.0	141/70.5	875	29.38	20,89	A396
	1800	230/460	364T	<b>E985</b> *	364TTFC4036	2:1	\$5,275	E1	93.6	137/68.5	1016	31.50	DS,20	A217
	1800	230/460	364TS	<b>E802</b> *	364TSTFS4026	2:1	\$5,275	E1	93.6	144/72.0	945	29.38	20	A396
	1800	575	364T	<b>U660</b> *	364TTFS4040	2:1	\$5,275	E1	93.6	57.5	975	31.50		A395
	1200	230/460	404T	<b>E803</b> *	404TTFS4086	2:1	\$6,508	E1	93.6	149/74.5	1200	35.62	20	A223
	900	460	405T	L427*	405TTFS8114	----	\$10,448	E6	91.7	81.0	1350	37.12	20,89	A223
75	3600	230/460	365TS	<b>E991</b> *	365TSTFS4001	2:1	\$6,682	E1	93.0	174/87.0	1000	30.38	20,89	A396
	1800	230/460	365T	<b>E957</b> *	365TTFS4036	2:1	\$6,742	E1	94.1	178/89.0	1106	32.50	20	A395
	1800	230/460	365TS	<b>E804</b> *	365TSTFS4026	2:1	\$6,742	E1	94.1	178/89.0	1026	30.38		A396
	1800	575	365T	<b>E805</b> *	365TTFS4040	2:1	\$6,742	E1	94.1	71.0	1035	32.50		A395
	1200	230/460	405T	<b>E806</b> *	405TTFS4086	2:1	\$7,821	E1	93.6	185/92.5	1298	37.12	20	A223
	900	460	444T	L428*	444TTFS8106	----	\$13,915	E6	93.0	97.0	1900	41.25	20,89	A229

Blue shaded areas are Cast Iron Frames

\* Stock Model \* Requires nameplate modification

Catalog numbers (Cat No.) highlighted in bold blue have efficiency levels that meet or exceed U.S. EPA and/or NRC Canadian standards.

**Footnotes:**

- DS Sourced
- 20 Rated 60/50 hertz, 190/380 or 380 volt at next lower horsepower
- 89 Threaded NPT opening in conduit box

Continued on next page.

THREE PHASE

# General Purpose, Three Phase

## Blue Chip®, Totally Enclosed, Rigid Base

HP	RPM	VOLTS	FRAME	CAT. NO.	MODEL NO.	CT SPEED RANGE*	LIST PRICE	MULT. SYMB.	NOM. EFF.	F.L. AMPS	APPROX. WGT. LBS.	"C" DIM.	FOOT NOTES	C-FACE KITS
<b>100</b>	3600	230/460	405TS	<b>E807</b> *	405TSTFS4001	2:1	\$9,016	E1	94.1	220/110	1239	34.12	20,89	A226
	1800	230/460	405T	<b>E959</b> *	405TTFS4036	2:1	\$8,132	E1	94.5	228/114	1277	37.12	20	A223
	1800	230/460	405TS	<b>E808</b> *	405TSTFS4026	2:1	\$8,132	E1	94.5	228/114	1273	34.12	20	A226
	1800	575	405T	<b>U661</b> *	405TTFS4040	2:1	\$8,132	E1	94.5	91.0	1267	37.12		A223
	1200	230/460	444T	<b>E809</b> *	444TTFS4086	2:1	\$11,007	E1	94.1	238/119	1850	41.25	20	A229
	900	460	445T	<b>L429</b> *	445TTFN8115	----	\$17,581	E6	93.6	133	2377	43.19	20	A620
<b>125</b>	3600	460	444TS	<b>E992</b> *	444TSTFS4001	2:1	\$12,569	E1	94.5	137	1750	37.50	PW	A232
	1800	460	444T	<b>E987</b> *	444TTFS4036	2:1	\$10,490	E1	94.5	142	1805	41.25	PW,20	A229
	1800	460	444TS	<b>E810</b> *	444TSTFS4026	2:1	\$10,490	E1	94.5	142	1787	37.50		A232
	1800	575	444T	<b>U662</b> *	444TTFS4040	2:1	\$10,490	E1	94.5	114	1826	41.25		A229
	1200	460	445T	<b>U663</b> *	445TTFN4086	2:1	\$13,392	E1	94.5	152	2082	43.19		A620
	900	460	445T	<b>L440</b> *	445TTFN8102	----	\$20,442	E6	93.6	169	2500	43.19	H,RB,20	N/A
<b>150</b>	3600	460	445TS	<b>E981</b> *	445TSTFN4001	2:1	\$15,054	E1	95.4	167	2191	39.44	20	A621
	1800	460	445T	<b>E986</b> *	445TTFN4036	2:1	\$12,758	E1	95.0	172	2116	43.19	20	A620
	1800	460	445TS	<b>E811</b> *	445TSTFN4026	2:1	\$12,758	E1	95.0	172	2070	39.44		A621
	1200	460	445T	<b>E958</b> *	445TTFN4087	2:1	\$14,751	E1	95.0	182	2275	43.19	H,RB	N/A
	900	460	447/9	<b>L442</b> *	449TTFN8111	----	\$23,061	E6	94.5	206	2967	51.69	H,RB,20	N/A
<b>200</b>	3600	460	445TS	<b>E812</b> *	445TSTFN4005	2:1	\$18,811	E1	95.0	222	2262	39.44	H,20	A621
	1800	460	445T	<b>E989</b> *	445TTFN4038	2:1	\$15,500	E1	95.0	225	2287	43.19	RB,20	N/A
	1800	460	445TS	<b>E813</b> *	445TSTFN4028	2:1	\$15,500	E1	95.0	225	2215	39.44		A621
	1800	575	445T	<b>U667</b> *	445TTFN4049	2:1	\$15,500	E1	95.0	180	2311	43.19		A620
	1800	460	445T	<b>U669</b> *	445TTFN4059	2:1	\$15,500	E1	95.0	225	2287	43.19	20	A620
	1200	460	447/9T	<b>E814</b> *	449TTFN4088	2:1	\$16,787	E1	95.0	243	2740	51.69	H,RB,YD,20	N/A
	900	460	447/9T	<b>L449</b> *	449TTFN8110	----	\$23,456	E6	94.5	270	3389	51.69	H,RB,YD,20	N/A
<b>250</b>	3600	460	445TS	<b>L450</b> *	445TSTFN8007	----	\$21,734	E9	94.5	275	2266	39.44	H,17,20	A621
	3600	460	447/9TS	<b>L451</b> *	449TSTFS8003	----	\$21,734	E9	95.0	280	2450	47.88	H,YD,20	A624
	1800	460	445T	<b>L452</b> *	445TTFN8040	----	\$17,695	E9	95.0	285	2395	43.19	H,RB,YD,20	N/A
	1800	460	447/9T	<b>L455</b> *	449TTFN8028	----	\$17,695	E9	95.0	290	2600	51.69	H,YD,20	A623
	1800	460	447/9T	<b>L454</b> *	449TTFN8038	----	\$17,695	E9	95.0	290	2775	51.69	H,RB,YD,20	N/A
	1800	575	445T	<b>L453</b> *	445TTFN8041	----	\$17,695	E9	95.0	228	2394	43.19	RB	N/A
	1200	460	447/9T	<b>L456</b> *	449TTFN8087	----	\$19,767	E9	95.4	300	3394	51.69	H,RB,YD,20	N/A
	1200	460	447/9T	<b>L457</b> *	449TTFN8077	----	\$19,767	E9	95.4	300	3200	51.69	H,YD,20	A623
	900	460	447/9TZ	<b>L471</b> *	449TTFN18105	----	\$21,616	E6	94.5	330	3586	56.71	H,RB,YD,17	N/A
<b>300</b>	3600	460	447/9TS	<b>L459</b> *	449TSTFS8002	----	\$26,904	E9	95.4	330	2702	47.88	H,YD,20	A624
	1800	460	445T	<b>L460</b> *	445TTFN8042	----	\$19,903	E9	95.0	340	2410	43.19	H,RB,YD,17	N/A
	1800	460	447/9T	<b>L462</b> *	449TTFN8037	----	\$19,903	E9	95.4	338	2960	51.69	H,RB,YD,20	N/A
	1800	575	447/9T	<b>L472</b> *	449TTFN18043	----	\$19,903	E9	95.0	330	3586	51.69	H,RB,YD	N/A
	1800	460	447/9T	<b>L463</b> *	449TTFN8027	----	\$19,903	E9	95.4	338	3041	51.69	H,YD,20	A623
	1800	575	445T	<b>L461</b> *	445TTFN8043	----	\$19,903	E9	95.0	272	2428	43.19	H,RB,YD,17	N/A
	1200	460	447/9T	<b>L465</b> *	449TTFN8076	----	\$22,959	E9	95.4	360	3440	51.69	H,YD,17,20	A623
	1200	460	447/9T	<b>L464</b> *	449TTFN8086	----	\$22,959	E9	95.4	360	3428	51.69	H,RB,YD,17,20	N/A
<b>350</b>	3600	460	447/9TS	<b>L466</b> *	449TSTFS8001	----	\$30,903	E9	95.4	380	3057	47.88	H,YD,20	A624
	1800	460	447/9T	<b>L467</b> *	449TTFN8036	----	\$22,844	E9	95.4	400	3202	51.69	H,RB,YD	N/A
<b>400</b>	1800	460	447/9T	<b>E291</b>	-----	----	\$35,421	E9	95.8	455	3800	56.71	H,X	----
	1800	460	447/9T	<b>L469</b> *	449TTFN8039	----	\$24,245	E9	95.0	460	3234	51.69	H,RB,17	N/A
<b>450</b>	1800	460	447/9T	<b>E292</b>	449TTFN6065	----	\$36,316	E9	96.2	517	3800	56.71	H,X	A623

Blue shaded areas are Cast Iron Frames

\* Stock Model \* Requires nameplate modification

Catalog numbers (Cat No.) highlighted in bold blue have efficiency levels that meet or exceed U.S. EPCa and/or NRCa Canadian standards.

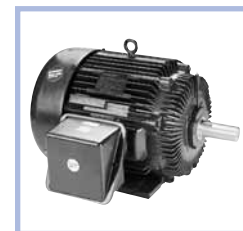
### Footnotes:

- H Class H Insulation
- PW Part Winding Start Capability
- RB Roller Bearing on shaft end for belted loads only
- X XRI, Ultra High Efficiency Design
- YD 12 Leads for WYE-DELTA, Part Winding on low voltage, or across-the-line starting
- 17 1.0 Service Factor
- 20 Rated 60/50 hertz, 190/380 or 380 volt at next lower horsepower
- 89 Threaded NPT opening in conduit box

# Severe Duty, Three Phase Blue Chip® Totally Enclosed Rigid Base

**Applications:** Cooling towers, Fan and Blowers, and other severe duty environments where long life and high efficiency are desired. Replacement for single speed Marley cooling tower motors.

- Features:**
- Blue Chip® quality, 100% cast iron construction for rigidity and reduced vibration
  - Internal and external epoxy paint
  - Class F insulation
  - 1.15 Service Factor
  - Extended grease tubes, regreasable in service
  - T-drains provided for effective drainage (Installed in both endshields)
  - Shaft Slinger
  - Forsheda seals on both ends
  - Ball Bearings
  - Actual test and vibration data supplied with each motor
  - UL Recognized and CSA Certified
  - Suitable for 10:1 VT and CT (as noted) on VFD
  - Two year warranty



HP	RPM	VOLTS	FRAME	CAT. NO.	MODEL NO.	CT SPEED RANGE*	LIST PRICE	MULT. SYMB.	NOM. EFF.	F.L. AMPS	APPROX. WGT. LBS.	"C" DIM.	FOOT NOTES
<b>3</b>	1800	230/460	182T	<b>U867</b> ★	182TTFS4557	10:1	\$789	S3	87.5	8.4/4.2	136	15.19	20
<b>5</b>	1800	230/460	184T	<b>U868</b> ★	184TTFS4555	10:1	\$862	S3	87.5	13.0/6.5	118	16.19	20
<b>7 1/2</b>	1800	230/460	213T	<b>U869</b> ★	213TTFS4550	10:1	\$1,088	S3	89.5	20.0/10.0	208	18.22	20
<b>10</b>	1800	230/460	215T	<b>U870</b> ★	215TTFS4546	10:1	\$1,246	S3	91.0	26.0/13.0	243	19.72	20
<b>15</b>	1800	230/460	254T	<b>U871</b> ★	254TTFNA4549	10:1	\$1,608	S3	91.0	39.0/19.5	463	23.52	20
<b>20</b>	1800	230/460	256T	<b>U872</b> ★	256TTFNA4532	10:1	\$1,891	S3	91.0	50.0/25.0	340	25.27	20
<b>25</b>	1800	230/460	284T	<b>U873</b> ★	284TTFPA4545	10:1	\$2,241	S3	92.4	62.0/31.0	285	26.27	20
<b>30</b>	1800	230/460	286T	<b>U874</b> ★	286TTFPA4544	10:1	\$2,622	S3	92.4	74.0/37.0	435	27.77	20
<b>40</b>	1800	230/460	324T	<b>U875</b> ★	324TTFPA4540	2:1	\$3,399	S3	93.0	100/50.0	515	28.97	20
<b>50</b>	1800	230/460	326T	<b>U876</b> ★	326TTFPA4550	2:1	\$4,201	S3	93.0	122/61.0	585	30.47	20
<b>60</b>	1800	230/460	364T	<b>U877</b>	364TTFS4550	2:1	\$5,991	S3	93.6	144/72.0	984	31.50	20
<b>75</b>	1800	230/460	365T	<b>U878</b>	365TTFS4560	2:1	\$7,458	S3	94.1	178/89.0	1080	32.50	20
<b>100</b>	1800	230/460	405T	<b>U879</b>	405TTFS4560	2:1	\$9,236	S3	94.5	228/114	1325	37.12	20
<b>125</b>	1800	460	444T	<b>U880</b>	444TTFS4546	2:1	\$11,890	S3	94.5	142	1809	41.25	20
<b>150</b>	1800	460	445T	<b>U881</b> ★	445TTFN4826	2:1	\$14,158	S3	95.0	172	2145	43.26	20
<b>200</b>	1800	460	445T	<b>U882</b>	445TTFN4574	2:1	\$16,900	S3	95.0	225	2324	43.26	20
<b>250</b>	1800	460	445T	<b>U884</b>	445TTFN4575	2:1	\$19,095	S3	95.0	285	2409	43.26	20

Blue shaded areas are Cast Iron Frames

★ Stock Model \* Requires nameplate modification

Catalog numbers (Cat No.) highlighted in bold blue have efficiency levels that meet or exceed U.S. EPCa and/or NRCAN Canadian standards.

THREE PHASE

**Footnotes:**

20 Rated 60/50 hertz, 190/380 or 380 volt at next lower horsepower



# General Purpose, Three Phase

## Totally Enclosed, C-Face



**Applications:** General purpose use on gear reducers, pumps, machine tools, and other direct-coupled equipment installed in damp, dusty, or dirty environments. Additionally, cast iron frame motors may be suitable for the process industries.

- Features:**
- Ball bearings, mechanically locked on shaft end
  - 1.15 Service Factor
  - Rolled steel 56-145T frame motors accept brake kits, see Accessories section
  - UL Recognized and CSA Certified



Suitable for use on VFD per guidelines on page 13.

HP	RPM	VOLTS	FRAME	CAT. NO.	MODEL NO.	CT SPEED RANGE*	LIST PRICE	MULT. SYMB.	NOM. EFF.	F.L. AMPS	APPROX. WGT. LBS.	"C" DIM.	FOOT NOTES
1/4	1800	208-230/460	56C	G547 *	56T17F2042	----	\$222	F1	62.0	1.2-1.3/0.65	14	9.94	20,24
	1800	575	56C	K405	56T17F2047	----	\$222	F1	62.0	0.52	13	9.94	24
	1200	208-230/460	56C	K401	-----	----	\$309	F1	52.5	1.7-2.0/1.0	18	11.32	20
1/3	3600	208-230/460	56C	P101 *	56T34T5306	2:1	\$192	F1	64.0	1.7-2.0/1.0	19	9.94	N,20
	1800	208-230/460	56C	G502 *	56T17F2041	----	\$237	F1	68.0	1.5-1.6/0.8	15	10.19	20,24
	1800	575	56C	G503 *	56T17F2048	----	\$237	F1	68.0	0.64	15	10.19	24
	1200	208-230/460	56C	K402	-----	----	\$326	F1	62.0	1.9-2.2/1.1	21	11.82	20
1/2	3600	208-230/460	56C	P102 *	56T34F5321	2:1	\$213	F1	66.0	2.1-2.2/1.1	22	11.82	20
	1800	208-230/460	56C	G507 *	56T17F2036	----	\$276	F1	70.0	2.1-2.2/1.1	17	10.69	20,24
	1800	575	56C	G508 *	56T17F2049	----	\$276	F1	68.0	0.90	18	10.69	24
	1200	208-230/460	56C	K403	-----	----	\$357	F1	68.0	2.4-2.7/1.3	23	11.82	20
3/4	3600	208-230/460	56C	P103 *	56T34F5322	2:1	\$253	F1	72.0	3.0-3.2/1.6	22	11.82	20
	1800	208-230/460	56C	G522 *	56T17F2038	----	\$304	F1	75.5	2.7-2.8/1.4	21	11.19	20,24
	1800	575	56C	G523 *	56T17F2050	----	\$304	F1	75.5	1.1	21	11.19	24
	1200	208-230/460	56C	K404	56T11F5320	2:1	\$367	F1	74.0	3.1-3.2/1.6	26	12.32	
1	3600	208-230/460	56C	P104 *	56T34F5323	2:1	\$283	F1	74.0	3.7-3.7/1.85	24	11.82	20
	1800	208-230/460	56C	G527 *	56T17F5310	2:1	\$311	F1	77.0	3.5-3.6/1.8	26	12.32	20
	1800	208-230/460	143TC	C220 *	143TTFR5329	2:1	\$326	E6	77.0	3.5-3.6/1.8	28	12.37	20
	1800	575	56C	G528 *	56T17F5319	2:1	\$311	F1	77.0	1.45	25	12.32	
	1800	575	143TC	C230	143TTFR5333	2:1	\$326	E6	77.0	1.45	26	12.37	
	1200	208-230/460	145TC	C250	145TTFR5378	2:1	\$408	E6	77.0	3.95-4.0/2.0	33	12.87	20
	1200	208-230/460	56C	K407	56T11F5321	2:1	\$392	F1	77.0	3.8-3.6/1.8	33	12.82	
1 1/2	3600	208-230/460	56C	P105 *	56T34F5324	2:1	\$329	F1	80.0	4.6/2.3	25	11.82	20
	3600	208-230/460	143TC	C201 *	143TTFR5302	2:1	\$337	E6	80.0	4.7-4.6/2.3	27	11.87	20
	1800	208-230/460	56C	G541 *	56T17F5311	2:1	\$341	F1	80.0	4.8-4.8/2.4	29	12.32	20
	1800	208-230/460	145TC	C221 *	145TTFR5332	2:1	\$379	E6	80.0	4.8-4.8/2.4	31	12.37	20
	1800	575	56C	G548 *	56T17F5320	2:1	\$341	F1	80.0	1.9	31	12.32	
	1800	575	145TC	C231	145TTFR5340	2:1	\$379	E6	80.0	1.9	29	12.37	
	1200	230/460	182TC	C251	182TTFR7094	2:1	\$479	E6	75.5	5.0/2.5	89	17.93	F
2	3600	208-230/460	56C	P106 *	56T34F5325	2:1	\$382	F1	80.0	6.0-6.0/3.0	29	12.32	20
	3600	208-230/460	145TC	C202 *	145TTFR5302	2:1	\$392	E6	80.0	6.0-6.0/3.0	30	12.37	20
	1800	208-230/460	56C	G544 *	56T17F5312	2:1	\$368	F1	82.5	6.0-5.8/2.9	39	13.82	20
	1800	208-230/460	145TC	C222 *	145TTFR5334	2:1	\$405	E6	82.5	6.0-5.8/2.9	39	13.87	20
	1800	575	56C	G549	56T17F5329	2:1	\$368	F1	82.5	2.25	41	13.82	
	1800	575	145TC	C232	145TTFR5341	2:1	\$405	E6	82.5	2.25	41	13.87	
	1200	230/460	184TC	C252	184TTFR7082	2:1	\$539	E6	80.0	6.7/3.35	89	15.69	F,24
3	3600	208-230/460	56C	P107 *	56T34F5326	2:1	\$414	F1	84.0	8.4-7.6/3.8	39	13.32	20
	3600	208-230/460	145TC	C236 *	145TTFR5307	2:1	\$422	E6	84.0	8.4-7.6/3.8	40	13.37	20
	3600	208-230/460	182TC	C203 *	182TTFR7325	2:1	\$500	E6	82.5	8.6-7.8/3.9	72	15.69	F,24
	1800	208-230/460	182TC	C223 *	182TTFR7634	2:1	\$480	E6	82.5	9.0-8.0/4.0	76	15.69	F,24
	1800	230/460	56C	K406 *	56T17F5328	2:1	\$453	F1	84.0	8.6/4.3	48	14.82	F,17,20
	1800	230/460	145TC	C260	145TTFR5344	2:1	\$461	E6	84.0	8.6/4.3	47	14.87	17,20
	1200	230/460	213TC	C253	213TTFW7096	2:1	\$684	E6	81.5	9.6/4.8	108	19.46	F,24

**Footnotes:**

- F Class F Insulation
- N Totally Enclosed, Non-Ventilated
- 17 1.0 Service Factor
- 20 Rated 60/50 hertz, 190/380 or 380 volt at next lower horsepower
- 24 Motor will NOT accept a Brake Kit

★ Stock Model

\* Requires nameplate modification

Continued on next page.



# General Purpose, Three Phase

Totally Enclosed, C-Face

HP	RPM	VOLTS	FRAME	CAT. NO.	MODEL NO.	CT SPEED RANGE*	LIST PRICE	MULT. SYMB.	NOM. EFF.	F.L. AMPS	APPROX. WGT. LBS.	"C" DIM.	FOOT NOTES
<b>5</b>	3600	208-230/460	184TC	C204★	184TTFR8002	2:1	\$574	E6	85.5	13.5-12.4/6.2	84	13.97	CF,F,24
	1800	208-230/460	184TC	C224★	184TTFR8641	2:1	\$539	E6	86.5	13.6-13.0/6.5	92	16.69	F,20,24
	1200	208-230/460	215TC	C254	215TTFW7096	2:1	\$953	E6	84.0	16.0-14.8/7.4	164	20.96	20,24
<b>7 1/2</b>	3600	208-230/460	184TC	C238★	184TTFR8617	2:1	\$688	E6	85.5	20.0-19.0/9.5	72	16.69	F,24
	3600	208-230/460	213TC	C205★	213TTFW7007	2:1	\$759	E6	84.0	21.0-19.2/9.6	95	19.46	F,20,24
	1800	208-230/460	213TC	C225★	213TTFW7046	2:1	\$666	E6	87.5	22.0-19.4/9.7	103	19.46	F,20,24
	1200	230/460	254TC	C255	254TTFL5082	----	\$1,288	E6	82.5	20.8/10.4	148	23.24	AL,F,24
<b>10</b>	3600	208-230/460	215TC	C206★	215TTFW7302	2:1	\$908	E6	86.5	27.0-24.0/12.0	102	20.96	F,20,24
	1800	208-230/460	215TC	C226★	215TTFW7046	2:1	\$875	E6	88.5	28.0-25.0/12.5	129	20.96	F,20,24
	1200	230/460	256TC	C256	256TTFPA7694	----	\$1,592	E6	84.0	27.6/13.8	268	25.94	F,24
<b>15</b>	3600	208-230/460	215TC	C237★	215TTFW7021	2:1	\$1,154	E6	88.5	40.0-37.0/18.5	125	20.96	F,20,24
	3600	230/460	254TC	C207★	254TTFL5020	----	\$1,255	E6	85.5	36.0/18.0	196	23.24	AL,F,24
	1800	208-230/460	254TC	C227★	254TTFL5040	----	\$1,243	E6	88.5	43.0-38.5/19.3	179	23.24	AL,F,24
	1200	230/460	284TC	C257	-----	----	\$2,192	E6	86.5	40.8/20.4	417	26.44	F,24

Blue shaded areas are Cast Iron Frames

★ Stock Model

\* Requires nameplate modification

**Footnotes:**

- AL Aluminum Frame Construction
- CF Consult Factory for Accessory Kit and/or Modification Selection
- F Class F Insulation
- 20 Rated 60/50 hertz, 190/380 or 380 volt at next lower horsepower
- 24 Motor will NOT accept a Brake Kit

# General Purpose, Three Phase

## Totally Enclosed C-Face With Rigid Base and C-Face With Removable Base (Four-In-One)



**Applications:** General purpose use on gear reducers, pumps, machine tools, and other direct-coupled equipment installed in damp, dusty or dirty environments. The Four-In-One motors have a unique design allowing for replacement of Dripproof, TEFC, C-Face, or Rigid Base motors in a broad range of industrial or commercial applications.

- Features:**
- Ball bearings, mechanically locked on shaft end
  - 1.15 Service Factor
  - Class F insulation except as footnoted
  - Rated 60/50 hertz, 190/380 or 380 volt, at next lower horsepower as footnoted
  - 56-145T frame motors, accept brake kits, see accessory kits
  - UL Recognized and CSA Certified
  - Two year warranty on EPAct efficient (bold blue catalog numbers)



◆ **Additional features for "Four-In-One" motors only:**

- CR<sup>200</sup> Corona resistant magnet wire
- Bolt-on, removable rigid base
- Suitable for horizontal and vertical mounting
- Will accept drip cover kits, see Accessories section

Suitable for use on VFD per guidelines on page 14.

HP	RPM	VOLTS	FRAME	"FOUR-IN-ONE"	CAT. NO.	MODEL NO.	CT SPEED RANGE*	LIST PRICE	MULT. SYMB.	NOM. EFF.	F.L. AMPS	APPROX. WGT. LBS.	"C" DIM.	FOOT NOTES
<b>1/4</b>	1800	208-230/460	56C		G565	56T17F2051	2:1	\$226	F1	62.5	1.2-1.4/0.7	14	9.94	b,20,24
	1200	208-230/460	56C	◆	G586★	56T11F5311	2:1	\$321	F2	52.5	1.7-2.0/1.0	20	11.31	6,13,20
<b>1/3</b>	3600	208-230/460	56C	◆	D390★	56T34T5303	1000:1	\$203	F2	66.0	1.7-1.8/0.9	21	10.43	N,6,13,20,24
	3600	575	56C	◆	K702★	56T34T5309	1000:1	\$203	F2	64.0	0.8	18	9.93	N,6,13,24
	1800	208-230/460	56C		G560	56T17F2052	2:1	\$253	F1	65.5	1.5-1.6/0.8	16	10.19	b,13,20,24
	1800	208-230/460	56C	◆	G580★	56T17T5305	1000:1	\$260	F2	68.0	1.4-1.6/0.8	20	9.93	N,6,13,20,24
	1800	575	56C	◆	K703★	56T17T5316	1000:1	\$260	F2	68.0	0.65	22	9.93	N,6,13,24
	1200	208-230/460	56C	◆	G587★	56T11F5310	1000:1	\$338	F2	62.0	1.9-2.2/1.1	23	11.31	6,13,20
<b>1/2</b>	3600	208-230/460	56C		G569	56T34F5308	2:1	\$218	F1	66.0	2.1-2.2/1.1	23	11.82	b,13,20
	3600	208-230/460	56C	◆	D391★	56T34F5301	10:1	\$226	F2	66.0	2.1-2.2/1.1	22	11.81	6,13,20
	3600	575	56C	◆	K704★	56T34F5348	10:1	\$226	F2	66.0	0.9	22	11.81	6,13
	1800	208-230/460	56C		G561★	56T17F2039	2:1	\$280	F1	70.0	2.1-2.2/1.1	18	10.69	b,13,20,24
	1800	208-230/460	56C	◆	G581★	56T17F5321	10:1	\$288	F2	68.0	2.3-2.4/1.2	23	11.81	6,13,20
	1800	575	56C	◆	K705★	56T17F5336	10:1	\$288	F2	68.0	1.0	25	11.81	6,13
	1200	208-230/460	56C	◆	G588★	56T11F5309	10:1	\$368	F2	68.0	2.4-2.7/1.35	24	11.81	6,13,20
<b>3/4</b>	3600	208-230/460	56C	◆	D392★	56T34F5302	4:1	\$264	F2	68.0	3.0-3.2/1.6	23	11.81	6,13,20
	3600	575	56C	◆	K706★	56T34F5349	4:1	\$264	F2	68.0	1.3	24	11.81	6,13
	1800	208-230/460	56C		G562★	56T17F2040	2:1	\$309	F1	75.5	2.7-2.8/1.4	20	11.19	b,13,20,24
	1800	208-230/460	56C	◆	G582★	56T17F5322	10:1	\$315	F2	75.5	2.6-3.0/1.5	25	11.81	6,13,20
	1800	575	56C	◆	K707★	56T17F5337	10:1	\$315	F2	75.5	1.2	25	11.81	6,13
	1200	208-230/460	56C	◆	G589★	56T11F5308	4:1	\$379	F2	74.0	3.1-3.2/1.6	28	12.31	6,13,20
<b>1</b>	3600	208-230/460	56C		K803★	56T34F5310	2:1	\$287	F1	74.0	3.7-3.7/1.85	25	11.82	b,13,20
	3600	208-230/460	56C	◆	D393★	56T34F5303	4:1	\$294	F2	74.0	3.7-3.7/1.85	25	11.81	6,13,20
	3600	575	56C	◆	K708★	56T34F5350	4:1	\$294	F2	77.0	1.5	24	11.81	6,13
	1800	208-230/460	56C		G563★	56T17F5315	2:1	\$314	F1	77.0	3.5-3.6/1.8	28	12.32	b,13,20
	1800	230/460	143TC		<b>U701★</b>	143TTFR4032	10:1	\$405	E8	82.5	3.0/1.5	34	12.87	13,20
	1800	208-230/460	56HC	◆	G583★	56T17F5323	10:1	\$322	F2	77.0	3.5-3.6/1.8	28	12.31	5,6,13,20
	1800	575	56HC	◆	K709★	56T17F5338	4:1	\$322	F2	77.0	1.45	27	12.31	5,6,13
	1200	208-230/460	56HC	◆	K701★	56T11F5307	4:1	\$382	F2	77.0	3.95-4.0/2.0	33	12.81	5,6,13,20

◆ **Four-In-One** ★ **Stock Model** \* **Requires nameplate modification** Catalog numbers (Cat No.) highlighted in bold blue have efficiency levels that meet or exceed U.S. EPAct and/or NRC Canadian standards.

**Footnotes:**

- b Class B Insulation
- N Totally Enclosed, Non-Ventilated
- 5 56H, 143T, and 145T Combination Base with 12 mounting holes
- 6 Bolt-on removable base for footless mounting option
- 13 F1 mounting only cannot reassemble to F2
- 20 Rated 60/50 Hertz, 190/380 or 380 volt at next lower horsepower
- 24 Motor will NOT accept a Brake Kit

Continued on next page.

# General Purpose, Three Phase

## Totally Enclosed C-Face With Rigid Base and C-Face With Removable Base (Four-In-One)

HP	RPM	VOLTS	FRAME	"FOUR-IN-ONE"	CAT. NO.	MODEL NO.	CT SPEED RANGE*	LIST PRICE	MULT. SYMB.	NOM. EFF.	F.L. AMPS	APPROX. WGT. LBS.	"C" DIM.	FOOT NOTES
<b>1 1/2</b>	3600	230/460	143TC		<b>U733</b> *	143TTFR4010	2:1	<b>\$408</b>	E8	82.5	4.0/2.0	35	12.87	20
	3600	208-230/460	56C	◆	D394 *	56T34F5304	2:1	<b>\$351</b>	F2	80.0	4.7-4.6/2.3	26	11.81	6,13,20
	3600	575	56C	◆	K721 *	56T34F5351	2:1	<b>\$351</b>	F2	80.0	1.8	26	11.81	6,13
	1800	200	145TC		<b>U703</b>	145TTFR4046	10:1	<b>\$388</b>	E8	84.0	5.1	44	14.37	
	1800	208-230/460	56HC		G564 *	56T17F5316	2:1	<b>\$345</b>	F1	80.0	4.8-4.8/2.4	31	12.32	b,5,13,20
	1800	230/460	145TC		<b>U704</b> *	145TTFR4058	10:1	<b>\$388</b>	E8	84.0	4.4/2.2	44	14.37	20
	1800	575	145TC		<b>U705</b>	145TTFR4052	10:1	<b>\$388</b>	E8	84.0	1.8	44	14.37	6
	1800	208-230/460	56HC	◆	G584 *	56T17F5324	2:1	<b>\$352</b>	F2	80.0	4.8-4.8/2.4	30	12.31	5,6,13,20
	1800	575	56HC	◆	K722 *	56T17F5339	2:1	<b>\$352</b>	F2	80.0	1.9	31	12.31	5,6,13
1200	230/460	56HC	◆	K700	56T11F5328	2:1	<b>\$430</b>	F2	77.5	5.8/2.9	42	14.32	5,6,13,17	
<b>2</b>	3600	230/460	145TC		<b>U735</b> *	145TTFR4009	2:1	<b>\$447</b>	E8	84.0	5.2/2.6	39	13.37	20
	3600	208-230/460	56HC	◆	D395 *	56T34F5305	2:1	<b>\$405</b>	F2	80.0	6.0-6.0/3.0	30	12.31	5,6,13,20
	3600	575	56HC	◆	K723 *	56T34F5352	2:1	<b>\$405</b>	F2	80.0	2.4	30	12.31	5,6,13
	1800	200	145TC		<b>U706</b>	145TTFR4070	10:1	<b>\$416</b>	E8	84.0	6.4	46	13.87	
	1800	208-230/460	56HC		K806	56T17F5330	2:1	<b>\$384</b>	F1	82.5	6.0-5.8/2.9	40	13.82	b,5,20
	1800	230/460	145TC		<b>U707</b> *	145TTFR4040	10:1	<b>\$416</b>	E8	84.0	5.6/2.8	46	13.87	20
	1800	575	145TC		<b>U708</b>	145TTFR4126	10:1	<b>\$416</b>	E8	84.0	2.2	42	13.87	
	1800	208-230/460	56HC	◆	G585 *	56T17F5325	4:1	<b>\$383</b>	F2	82.5	6.0-5.8/2.9	41	13.81	5,6,13,20
	1800	575	56HC	◆	K724 *	56T17F5340	4:1	<b>\$383</b>	F2	82.5	2.3	41	13.81	5,6,13
1200	230/460	184TC	◆	<b>C380</b> *	184TTFR4380	10:1	<b>\$693</b>	E8	86.5	6.0/3.0	94	16.50	6,20,24	
<b>3</b>	3600	200	182TC		<b>U736</b>	182TTFR4013	2:1	<b>\$582</b>	E8	85.5	8.5	76	15.69	24
	3600	230/460	182TC		<b>U737</b>	182TTFR4007	2:1	<b>\$642</b>	E8	85.5	7.4/3.7	77	15.69	20,24
	3600	208-230/460	56HC	◆	D396 *	56T34F5306	2:1	<b>\$450</b>	F2	84.0	8.4-7.6/3.8	41	13.31	5,6,13,20
	3600	575	56HC	◆	K725 *	56T34F5353	2:1	<b>\$450</b>	F2	84.0	3.1	40	13.31	5,6,13
	3600	208-230/460	182TC	◆	<b>C381</b> *	182TTFR4320	10:1	<b>\$707</b>	E8	85.5	8.2-7.4/3.7	76	15.50	6,20,24
	1800	230/460	56HCZ	◆	G590 *	56T17F5355	N/A	<b>\$430</b>	F2	85.5	8.6/4.3	48	14.87	Z,5,6,13,17,20
	1800	575	56HCZ	◆	G591	56T17F5356	2:1	<b>\$430</b>	F2	85.5	3.4	48	14.87	Z,5,6,13,17
	1800	208-230/460	182TC	◆	<b>C382</b> *	182TTFR4340	10:1	<b>\$632</b>	E8	87.5	9.0-8.4/4.2	86	15.50	6,20,24
	1800	208-230/460	182TC		<b>U710</b>	182TTFR4042	10:1	<b>\$574</b>	E8	87.5	9.0-8.4/4.2	79	15.69	20,24
	1800	575	182TC	◆	<b>C383</b> *	182TTFR4345	10:1	<b>\$632</b>	E8	87.5	3.4	77	15.50	6,24
	1200	208-230/460	213TC	◆	<b>C384</b>	213TTFW4380	10:1	<b>\$884</b>	E8	87.5	9.6-9.2/4.6	106	20.97	6,20,24
	<b>5</b>	3600	200	184TC		<b>U738</b>	184TTFR4013	2:1	<b>\$684</b>	E8	87.5	14.2	85	16.69
3600		230/460	184TC		<b>U739</b>	184TTFR4007	2:1	<b>\$684</b>	E8	87.5	12.4/6.2	90	16.69	20,24
3600		208-230/460	184TC	◆	<b>C385</b> *	184TTFR4320	10:1	<b>\$755</b>	E8	87.5	13.5-12.5/6.2	81	16.50	6,20,24
1800		230/460	184TC	◆	<b>C386</b> *	184TTFR4340	10:1	<b>\$666</b>	E8	87.5	13.0/6.5	72	16.50	6,20,24
1800		208-230/460	184TC		<b>U713</b>	184TTFR4044	10:1	<b>\$625</b>	E8	87.5	14.0-13.0/6.5	87	16.69	20,24
1800		575	184TC	◆	<b>C387</b> *	184TTFR4345	10:1	<b>\$666</b>	E8	87.5	5.2	87	16.50	6,24
1200		208-230/460	215TC	◆	<b>C388</b> *	215TTFW4380	10:1	<b>\$1,054</b>	E8	87.5	15.0-14.0/7.0	143	22.22	6,13,20,24

◆ Four-In-One \* Stock Model \* Requires nameplate modification

Catalog numbers (Cat No.) highlighted in bold blue have efficiency levels that meet or exceed U.S. EPA and/or NRC Canadian standards.

THREE PHASE

Continued on next page.

### Footnotes:

- b Class B Insulation
- Z 56HZ with 7/8" shaft dia. 3-1/2" shaft height, and slotted 56 frame base
- 5 56H, 143T, and 145T Combination Base with 12 mounting holes
- 6 Bolt-on removable base for footless mounting option
- 13 F1 Mounting only cannot reassemble to F2
- 17 1.0 Service Factor
- 20 Rated 60/50 Hertz, 190/380 or 380 volt at next lower horsepower
- 24 Motor will NOT accept brake kit

# General Purpose, Three Phase

Totally Enclosed C-Face With Rigid Base  
and C-Face With Removable Base (Four-In-One)

HP	RPM	VOLTS	FRAME	"FOUR-IN-ONE"	CAT. NO.	MODEL NO.	CT SPEED RANGE*	LIST PRICE	MULT. SYMB.	NOM. EFF.	F.L. AMPS	APPROX. WGT. LBS.	"C" DIM.	FOOT NOTES
<b>7 1/2</b>	3600	200	213TC		<b>U740</b>	213TTFW4007	2:1	\$896	E8	89.5	21.2	118	20.97	24
	3600	230/460	213TC		<b>U741</b>	213TTFW4020	2:1	\$896	E8	89.5	18.4/9.2	118	19.47	20,24
	3600	575	213TC		<b>U742</b>	213TTFW4008	2:1	\$896	E8	89.5	7.4	118	20.97	24
	3600	208-230/460	213TC	◆	<b>C389*</b>	213TTFW4320	10:1	\$980	E8	89.5	20.0-18.4/9.2	114	20.97	6,20,24
	1800	208-230/460	213TC		<b>U716*</b>	213TTFW4045	10:1	\$809	E8	89.5	21.6-20.0/10.0	117	19.47	20,24
	1800	208-230/460	213TC	◆	<b>C390*</b>	213TTFW4340	10:1	\$884	E8	89.5	21.6-20.0/10.0	144	20.97	6,20,24
	1800	575	213TC	◆	<b>C391*</b>	213TTFW4345	10:1	\$884	E8	89.5	8.0	122	20.97	6,24
	1200	230/460	254TC		<b>U756</b>	254TTFW4081	10:1	\$1,361	E8	89.5	22.0/11.0	180	23.00	AL,20
<b>10</b>	3600	200	215TC		<b>U743</b>	215TTFW4013	2:1	\$947	E8	89.5	27.6	125	20.97	24
	3600	230/460	215TC		<b>U744</b>	215TTFW4020	2:1	\$947	E8	89.5	24.0/12.0	135	20.97	20,24
	3600	208-230/460	215TC	◆	<b>C392*</b>	215TTFW4320	10:1	\$1,020	E8	89.5	27.0-24.0/12.0	128	20.97	6,20,24
	1800	200	215TC		<b>U718</b>	215TTFW4033	10:1	\$895	E8	89.5	29.9	128	20.97	24
	1800	208-230/460	215TC	◆	<b>C393*</b>	215TTFW4340	10:1	\$972	E8	89.5	28.0-26.0/13.0	135	20.97	6,20,24
	1800	575	215TC	◆	<b>C394*</b>	215TTFW4345	10:1	\$972	E8	89.5	10.4	191	20.97	6,24
	1200	230/460	256TC		<b>U757</b>	256TTFW4079	10:1	\$1,684	E8	89.5	26.0/13.0	220	26.99	AL,20,24
<b>15</b>	3600	230/460	254TC		<b>U746</b>	254TTFW4004	2:1	\$1,355	E8	91.0	35.0/17.5	223	23.24	AL,20,24
	1800	200	254TC		<b>U721</b>	254TTFW4033	10:1	\$1,343	E8	91.0	46.0	189	23.24	AL,24
	1800	208-230/460	254TC		<b>U722*</b>	254TTFW4032	10:1	\$1,343	E8	91.0	42.0-40.0/20.0	173	23.74	AL,20,24
	1800	575	254TC		<b>U723</b>	254TTFW4035	10:1	\$1,343	E8	91.0	16.0	236	23.24	AL,24
<b>20</b>	3600	230/460	256TC		<b>U748</b>	256TTFW4004	2:1	\$1,724	E8	90.2	47.0/23.5	189	24.99	AL,20,24
	3600	230/460	256TC		<b>U815*</b>	256TTFNA14004	2:1	\$1,808	E8	90.2	47.0/23.5	265	25.76	20,24
	1800	208-230/460	256TC		<b>U724*</b>	256TTFW4032	10:1	\$1,613	E8	91.0	55.0-51.0/25.5	240	26.99	AL,20,24
<b>25</b>	3600	230/460	284TSC		<b>U749*</b>	284TSTFPA14003	2:1	\$2,242	E8	91.0	60.0/30.0	385	24.76	20,24
	1800	208-230/460	284TC		<b>U725*</b>	284TTFPA4027	10:1	\$2,058	E8	92.4	67.0-62.0/31.0	340	26.27	20,24
<b>30</b>	3600	230/460	286TSC		<b>U750*</b>	286TSTFPA14002	2:1	\$2,442	E8	91.0	72.0/36.0	325	26.26	20,24
	1800	208-230/460	286TC		<b>U726*</b>	286TTFPA4028	10:1	\$2,308	E8	92.4	81.0-74.0/37.0	437	27.77	20,24
<b>40</b>	3600	230/460	324TSC		<b>U830*</b>	324TSTFPA14003	2:1	\$3,232	E8	91.7	95.0/47.5	512	27.47	20,24
	1800	230/460	324TC		<b>U727*</b>	324TTFPA4028	2:1	\$3,195	E8	92.4	100/50.0	543	28.97	20,24
<b>50</b>	3600	230/460	326TSC		<b>U834*</b>	326TSTFPA14003	2:1	\$4,325	E8	92.4	115/57.5	615	28.97	20,24
	1800	230/460	326TC		<b>U728</b>	326TTFPA4028	2:1	\$3,997	E8	93.0	122/61.0	600	30.47	20,24
<b>60</b>	3600	230/460	364TSC		<b>U838*</b>	364TSTFS14003	2:1	\$6,196	E8	93.0	141/70.5	971	29.38	20,24
	1800	230/460	364TC		<b>U729</b>	364TTFFS4038	2:1	\$5,858	E8	93.6	144/72.0	984	31.50	24
<b>75</b>	3600	230/460	365TSC		<b>U842*</b>	365TSTFS14002	2:1	\$7,265	E8	93.0	174/87.0	1043	30.38	20,24
	1800	230/460	365TC		<b>U730*</b>	365TTFFS4038	2:1	\$7,325	E8	94.1	178/89.0	1068	32.50	24
<b>100</b>	3600	230/460	405TSC		<b>U845*</b>	405TSTFS14002	2:1	\$9,886	E8	94.1	220/110	1294	34.12	20,24
	1800	230/460	405TC		<b>U731</b>	405TTFFS4038	2:1	\$8,212	E8	94.5	228/114	1297	37.12	24

Blue shaded areas are Cast Iron Frames ◆ Four-In-One \* Stock Model \* Requires nameplate modification Catalog numbers (Cat No.) highlighted in bold blue have efficiency levels that meet or exceed U.S. EPA and/or NRC Canadian standards.

## Brake Kits for 56-143-145 frames ONLY

TORQUE (LB-FT)	COIL VOLTAGE	CAT. NO.	LIST (LOOSE)	LIST (INSTALLED)	MULT. SYMB.	WEIGHT
<b>3</b>	208-230/460	A301*	\$256	\$389	S4	7
	575	A297*	\$256	\$389	S4	7
<b>6</b>	208-230/460	A302*	\$302	\$436	S4	7
	575	A298*	\$302	\$436	S4	7
<b>10</b>	208-230/460	A303*	\$374	\$509	S4	10
	575	A299*	\$374	\$509	S4	10

## Drip Cover Kits (Four-In-One)

CAT. NO.	FRAME	LIST PRICE	MULT. SYMB.
A234*	56-143T-145T	\$21	S4
A197*	182T-184T	\$24	S4
A199*	213T-215T	\$28	S4

### Footnotes:

- AL Aluminum Frame Construction
- 6 Bolt-on removable base for footless mounting option
- 20 Rated 60/50 Hertz, 190/380 or 380 volt at next lower horsepower
- 24 Motor will NOT accept a Brake Kit

# Globetrotter® IEC (Metric) Frame, Three Phase

## Totally Enclosed, B3 Mounting, Rigid Base

**Applications:** For use on fans, pumps, compressors, conveyors, and other equipment requiring IEC dimensions and electrical standards. The Globetrotter is not only designed to International standards but meets NEMA performance and efficiency standards making it suitable for requirements worldwide.

- Features:**
- Aluminum (63-90 frame) or Cast Iron (180-250 frame) frame construction
  - Nameplated 60/50 hertz at same HP/KW
  - Max Guard® Class F Insulation, Class B rise @ rated KW
  - IP55 weatherproof enclosure
  - Rotatable/Removable Base (63/90 frame)
  - Wye Start-Delta Run on 160 Frame and larger
  - 10:1 Variable Torque, Constant Torque speed range as noted
  - Meets EFF2 European, EPAct and NRCAN Canadian efficiencies, as noted
  - Top Mounted/Oversized gasketed terminal box
  - Meets IEEEE45, IEC60092 & USCG CFR46 Marine Duty (63-90 frame "Below Deck")
  - 1.15 Service Factor on 60 Hz sine wave, 1.0 SF or VFD
  - IEC Design "N" with NEMA "B" Torques
  - Terminal Blocks, Stud Type, Zero Creepage
  - Kits or MOD Central for B3/B5 or B3/B14 mounting
  - Meets IEC 34 electrical standards
  - Meets IEC 72 dimensions and tolerances
  - CE Marked
  - 1 Year Warranty



**CONSULT  
MARATHON ELECTRIC  
FOR SPECIAL IEC  
MOTORS**

Multiplier Symbol F4

HP/ KW	RPM 60/50 HZ	60 HZ VOLTS	50 HZ VOLTS	IEC FRAME	CAT. NO.	MODEL NO.	CT SPEED RANGE†	LIST PRICE	NOM. EFF.	60 HZ F.L. AMPS	APPROX. WGHT. LBS.	IEC "L" DIM. (MM)	FOOT NOTES	B5/FF FLANGE
<b>1/4-0.18</b>	3600/3000	230/460	200/400	63	R300★	63T34FH5301	20:1	\$175	72.0	0.8/0.4	11	217	DS	A569
	3600/3000	575	480	63	R400★	63T34FH5303	20:1	\$175	72.0	0.3	11	217	d,DS	A569
	1800/1500	230/460	200/400	63	R301★	63T17FH5326	20:1	\$182	68.0	1.0/0.5	12	217	DS	A569
	1800/1500	575	480	63	R401★	63T17FH5327	20:1	\$182	68.0	0.4	12	217	DS	A569
	1200/1000	230/460	200/400	71	R302★	71T11FH5376	20:1	\$311	64.0	1.2/0.6	13	240	DS	A570
<b>1/3-0.25</b>	3600/3000	230/460	200/400	63	R303★	63T34FH5302	20:1	\$205	72.0	1.1/55	12	217	DS	A569
	3600/3000	575	480	63	R403★	63T34FH5304	20:1	\$205	72.0	0.4	12	217	DS	A569
	1800/1500	230/460	200/400	71	R304★	71T17FH5326	20:1	\$213	68.0	1.4/7	14	240	DS	A570
	1800/1500	575	480	71	R404★	71T17FH5330	20:1	\$213	68.0	0.6	14	240	d,DS	A570
	1200/1000	230/460	200/400	80	R305★	80T11FH5376	20:1	\$334	70.0	1.3/65	20	282	DS	A571
<b>1/2-0.37</b>	3600/3000	230/460	200/400	71	R306★	71T34FH5301	20:1	\$218	74.0	1.6/8	14	240	DS	A570
	3600/3000	575	480	71	R406★	71T34FH5303	20:1	\$218	74.0	0.7	14	240	d,DS	A570
	1800/1500	230/460	200/400	71	R307★	71T17FH5327	20:1	\$222	74.0	1.8/9	15	240	DS	A570
	1800/1500	575	480	71	R407★	71T17FH5331	20:1	\$222	74.0	0.7	16	240	DS	A570
	1200/1000	230/460	200/400	80	R308★	80T11FH5377	20:1	\$348	72.0	1.9/95	22	282	DS	A571
<b>3/4-0.55</b>	3600/3000	230/460	200/400	71	R309★	71T34FH5302	20:1	\$229	74.0	2.4/1.2	16	240	DS	A570
	3600/3000	575	480	71	R409★	71T34FH5304	20:1	\$229	74.0	0.9	16	240	DS	A570
	1800/1500	230/460	200/400	80	R310★	80T17FH5326	20:1	\$241	74.0	2.5/1.25	21	282	DS	A571
	1800/1500	575	480	80	R410★	80T17FH5330	20:1	\$241	74.0	1.0	22	282	d,DS	A571
	1200/1000	230/460	200/400	80	R311★	80T11FH5378	20:1	\$374	72.0	2.7/1.35	25	282	DS	A571
<b>1-0.75</b>	3600/3000	230/460	200/400	80	<b>R312★</b>	80T34FH5301	20:1	\$260	75.5	2.8/1.4	24	282	DS	A571
	3600/3000	575	480	80	<b>R412★</b>	80T34FH5305	20:1	\$260	75.5	1.1	24	282	DS	A571
	1800/1500	230/460	200/400	80	<b>R313★</b>	80T17FH5327	20:1	\$264	80.0	3.2/1.6	29	282	DS	A571
	1800/1500	575	480	80	<b>R413★</b>	80T17FH5331	20:1	\$264	80.0	1.4	28	282	d,DS	A571
	1200/1000	230/460	200/400	90S	<b>R314★</b>	90ST11FH5376	20:1	\$389	80.0	3.3/1.7	33	326	DS	A572
<b>1 1/2-1.1</b>	3600/3000	230/460	200/400	80	<b>R315★</b>	80T34FH5302	20:1	\$287	84.0	4.0/2.0	30	282	DS	A571
	3600/3000	575	480	80	<b>R415★</b>	80T34FH5303	20:1	\$287	84.0	1.6	29	282	DS	A571
	1800/1500	230/460	200/400	90S	<b>R316★</b>	90ST17FH5326	20:1	\$295	85.5	4.6/2.3	40	326	DS	A572
	1800/1500	575	480	90S	<b>R416★</b>	90ST17FH5327	20:1	\$295	85.5	1.8	39	326	DS	A572
<b>2-1.5</b>	3600/3000	230/460	200/400	90S	<b>R318★</b>	90ST34FH5301	20:1	\$307	85.5	5.2/2.6	36	326	DS	A572
	3600/3000	575	480	90S	<b>R418★</b>	90ST34FH5302	20:1	\$307	85.5	2.1	36	326	DS	A572
	1800/1500	230/460	200/400	90L	<b>R319★</b>	90LT17FH5326	20:1	\$317	84.0	5.8/2.9	41	326	DS	A572
	1800/1500	575	480	90L	<b>R419★</b>	90LT17FH5327	20:1	\$317	84.0	2.4	39	326	DS	A572
	1200/1000	230/460	200/400	100L	<b>R320★</b>	100LTFC4576	2:1	\$495	86.5	7.6/3.8	82	380	DS	A573

Blue shaded areas are Cast Iron Frames

★ Stock Model † Requires nameplate modification

Catalog numbers (Cat No.) highlighted in bold blue have efficiency levels that meet or exceed U.S. EPAct and/or NRCAN Canadian standards.

**Footnotes:**

d To be discontinued after current stock is gone

DS Sourced

SB300 – Prices and Specifications are subject to change without notice.

Continued on next page.

GLOBETROTTER® - IEC



# Globetrotter® IEC (Metric) Frame, Three Phase

Totally Enclosed, B3 Mounting, Rigid Base

Multiplier Symbol F4

HP/ KW	RPM 60/50 HZ	60 HZ VOLTS	50 HZ VOLTS	IEC FRAME	CAT. NO.	MODEL NO.	CT SPEED RANGE†	LIST PRICE	NOM. EFF.	60 HZ F.L. AMPS	APPROX. WGHT. LBS.	IEC "L" DIM. (MM)	FOOT NOTES	B5/FF FLANGE
<b>3-2.2</b>	3600/3000	230/460	200/400	90L	<b>R321</b> ★	90LT34FH5301	20:1	\$442	86.5	7.2/3.6	42	326	DS	A572
	3600/3000	575	480	90L	<b>R421</b> ★	90LT34FH5302	20:1	\$442	86.5	2.9	42	326	DS,d	A572
	1800/1500	230/460	200/400	100L	<b>R322</b> ★	100LTFC4527	20:1	\$480	88.5	9.0/4.5	84	380	DS	A573
	1200/1000	230/460	200/400	112M	<b>R323</b> ★	112MTFC4576	20:1	\$699	87.5	9.0/4.5	100	400	DS	A573
<b>4-3</b>	3600/3000	230/460	200/400	100L	<b>R351</b> ★	100LTFC4501	20:1	\$512	87.5	9.2/4.6	71	380	DS	A573
	1800/1500	230/460	200/400	100L	<b>R352</b> ★	100LTFC4536	20:1	\$521	88.5	11.0/5.5	84	380	DS	A573
	1200/1000	230/460	200/400	132S	<b>R353</b> ★	132STFC4586	2:1	\$846	87.5	13/6.5	154	475	DS	A575
<b>5 1/2-4</b>	3600/3000	230/460	200/400	112M	<b>R324</b> ★	112MTFC4511	20:1	\$659	87.5	12.8/6.4	104	400	DS	A574
	1800/1500	230/460	200/400	112M	<b>R325</b> ★	112MTFC4536	20:1	\$635	87.5	14.0/7.0	104	400	DS	A574
	1200/1000	230/460	200/400	132M	<b>R326</b> ★	132MTFC4586	2:1	\$977	87.5	17/8.5	176	475	DS	A575
<b>7 1/2-5.5</b>	3600/3000	230/460	200/400	132S	<b>R327</b> ★	132STFC4501	20:1	\$826	90.2	17.6/8.8	152	475	DS	A575
	1800/1500	230/460	200/400	132S	<b>R328</b> ★	132STFC4526	20:1	\$826	90.2	19.6/9.8	150	475	DS	A575
	1200/1000	230/460	200/400	132M	<b>R329</b> ★	132MTFC4587	2:1	\$1,175	89.5	23.4/11.7	180	475	DS	A575
<b>10-7.5</b>	3600/3000	230/460	200/400	132S	<b>R330</b> ★	132STFC4502	20:1	\$884	89.5	23.2/11.6	163	475	DS	A575
	1800/1500	230/460	200/400	132M	<b>R331</b> ★	132MTFC4536	2:1	\$980	91.0	26/13	174	475	DS	A575
	1200/1000	230/460	200/400	160M	<b>R332</b> ★	160MTFC4586	2:1	\$1,524	89.5	28/14	251	600	YD,DS	A576
<b>15-11</b>	3600/3000	230/460	200/400	160M	<b>R333</b> ★	160MTFC4511	2:1	\$1,432	91.7	35.2/17.6	260	600	YD,DS	A576
	1800/1500	230/460	200/400	160M	<b>R334</b> ★	160MTFC4536	10:1	\$1,432	91.0	37.8/18.9	264	600	YD,DS	A576
	1200/1000	230/460	200/400	160L	<b>R335</b> ★	160LTFC4588	2:1	\$1,956	90.2	38.8/19.4	330	600	YD,DS	A576
<b>20-15</b>	3600/3000	230/460	200/400	160M	<b>R336</b> ★	160MTFC4512	10:1	\$1,680	91.7	46.8/23.4	269	600	YD,DS	A576
	1800/1500	230/460	200/400	160L	<b>R337</b> ★	160LTFC4538	2:1	\$1,771	91.0	47/23.5	311	600	YD,DS	A576
	1200/1000	230/460	200/400	180L	<b>R338</b> ★	180LTFC4588	2:1	\$2,743	90.2	54/27	385	710	YD,DS	A577
<b>25-18.5</b>	3600/3000	230/460	200/400	160L	<b>R339</b> ★	160LTFC4513	2:1	\$2,045	91.7	57.6/28.8	319	645	YD,DS	A576
	1800/1500	230/460	200/400	180M	<b>R340</b> ★	180MTFC4536	20:1	\$2,251	92.4	59.2/29.6	381	670	YD,DS	A577
	1200/1000	230/460	200/400	200L	<b>R341</b> ★	200LTFC4588	2:1	\$3,440	91.7	63/31.5	467	775	YD,DS	A578
<b>30-22</b>	3600/3000	230/460	200/400	180M	<b>R342</b> ★	180MTFC4511	2:1	\$2,430	92.4	68.8/34.4	355	670	YD,DS	A577
	1800/1500	230/460	200/400	180L	<b>R343</b> ★	180LTFC4538	20:1	\$2,530	92.4	69.2/34.6	427	710	YD,DS	A577
	1200/1000	230/460	200/400	200L	<b>R344</b> ★	200LTFC4589	2:1	\$3,897	91.7	76/38	467	775	YD,DS	A578
<b>40-30</b>	3600/3000	230/460	200/400	200L	<b>R345</b> ★	200LTFC4511	20:1	\$3,460	92.4	89.6/44.8	522	775	YD,DS	A578
	1800/1500	230/460	200/400	200L	<b>R346</b> ★	200LTFC4538	2:1	\$3,725	94.1	95/47.5	531	775	YD,DS	A578
	1200/1000	230/460	200/400	225M	<b>R347</b> ★	225MTFC4586	2:1	\$5,855	93.0	100/50	633	845	YD,DS	A579
<b>50-37</b>	3600/3000	230/460	200/400	200L	<b>R348</b> ★	200LTFC4513	10:1	\$4,538	92.4	111.4/55.7	546	775	YD,DS	A578
	1800/1500	230/460	200/400	225S	<b>R349</b> ★	225STFC4526	10:1	\$5,168	93.6	117.6/58.8	632	845	YD,DS	A579
	1200/1000	230/460	200/400	250M	<b>R350</b> ★	250MTFC4586	2:1	\$8,207	93.0	125/62.5	655	930	YD,DS	NA

Blue shaded areas are Cast Iron Frames

★ Stock Model † Requires nameplate modification

Catalog numbers (Cat No.) highlighted in bold blue have efficiency levels that meet or exceed U.S. EPA and/or NRC Canadian standards.

Continued on next page.

**Footnotes:**

d To be discontinued after current stock is gone

DS Sourced

YD 12 leads for Wye Delta, Part Winding on low voltage, or across-the-line starting

# IEC (Metric) Frame, Three Phase, Globetrotter®

## Totally Enclosed, Flange/Base Mounting

Multiplier Symbol F4

**B3/B5 "FF"**

HP/ KW	RPM 60/50 HZ	60 HZ VOLTS	50 HZ VOLTS	IEC FRAME	CAT. NO.	MODEL NO.	CT SPEED RANGE†	LIST PRICE	NOM. EFF.	60 HZ F.L. AMPS	APPROX. WGHT. LBS.	IEC "L" DIM. (MM)	FOOT NOTES
<b>1/4-0.18</b>	3600/3000	230/460	200/400	63D	R380★	63T34FH5501	20:1	\$201	72.0	0.8/0.4	10	217	DS
	1800/1500	230/460	200/400	63D	R381★	63T17FH5502	20:1	\$208	68.0	1.0/0.5	11	217	DS
	1200/1000	230/460	200/400	71D	R382★	71T11FH5503	20:1	\$357	64.0	1.2/0.6	12	240	DS
<b>1/3-0.25</b>	3600/3000	230/460	200/400	63D	R383★	63T34FH5504	20:1	\$233	72.0	1.1/.55	11	217	DS
	1800/1500	230/460	200/400	71D	R384★	71T17FH5505	20:1	\$240	68.0	1.4/.7	13	240	DS
	1200/1000	230/460	200/400	80D	R385★	80T11FH5506	20:1	\$384	70.0	1.3/.65	17	282	DS
<b>1/2-0.37</b>	3600/3000	230/460	200/400	71D	R386★	71T34FH5507	20:1	\$239	74.0	1.6/.8	13	240	DS
	1800/1500	230/460	200/400	71D	R387★	71T17FH5508	20:1	\$247	74.0	1.8/.9	14	282	DS
	1200/1000	230/460	200/400	80D	R388★	80T11FH5509	20:1	\$399	72.0	1.9/.95	19	282	DS
<b>3/4-0.55</b>	3600/3000	230/460	200/400	71D	R389★	71T34FH5510	20:1	\$253	74.0	2.4/1.2	15	282	DS
	1800/1500	230/460	200/400	80D	R390★	80T17FH5511	20:1	\$269	74.0	2.5/1.25	18	282	DS
	1200/1000	230/460	200/400	80D	R391★	80T11FH5512	20:1	\$423	72.0	2.7/1.35	22	320	DS
<b>1-0.75</b>	3600/3000	230/460	200/400	80D	<b>R392★</b>	80T34FH5513	20:1	\$278	75.5	2.8/1.4	21	282	DS
	1800/1500	230/460	200/400	80D	<b>R393★</b>	80T17FH5514	20:1	\$291	80.0	3.2/1.6	26	282	DS
	1200/1000	230/460	200/400	90SD	<b>R394★</b>	90ST11FH5515	20:1	\$445	80.0	3.3/1.7	35	320	DS
<b>1 1/2-1.1</b>	3600/3000	230/460	200/400	80D	<b>R395★</b>	80T34FH5516	20:1	\$317	84.0	4.0/2.0	30	282	DS
	1800/1500	230/460	200/400	90SD	<b>R396★</b>	90ST17FH5517	20:1	\$322	85.5	4.6/2.3	37	320	DS
<b>2-1.5</b>	3600/3000	230/460	200/400	90SD	<b>R397★</b>	90ST34FH5518	20:1	\$351	85.5	5.2/2.6	33	320	DS
	1800/1500	230/460	200/400	90SD	<b>R398★</b>	90LT17FH5519	20:1	\$361	84.0	5.8/2.9	38	320	DS
<b>3-2.2</b>	3600/3000	230/460	200/400	90LD	<b>R399★</b>	90LT34FH5520	20:1	\$497	86.5	7.2/3.6	39	320	DS

**B3/B14 "FT"**

HP/ KW	RPM 60/50 HZ	60 HZ VOLTS	50 HZ VOLTS	IEC FRAME	CAT. NO.	MODEL NO.	CT SPEED RANGE†	LIST PRICE	NOM. EFF.	60 HZ F.L. AMPS	APPROX. WGHT. LBS.	IEC "L" DIM. (MM)	FOOT NOTES
<b>1/4-0.18</b>	3600/3000	230/460	200/400	63C	R360★	63T34FH5401	20:1	\$197	72.0	0.8/0.4	10	217	DS
	1800/1500	230/460	200/400	63C	R361★	63T17FH5402	20:1	\$205	68.0	1.0/0.5	11	217	DS
	1200/1000	230/460	200/400	71C	R362★	71T11FH5403	20:1	\$357	64.0	1.2/0.6	12	240	DS
<b>1/3-0.25</b>	3600/3000	230/460	200/400	63C	R363★	63T34FH5404	20:1	\$231	72.0	1.1/.55	11	217	DS
	1800/1500	230/460	200/400	71C	R364★	71T17FH5405	20:1	\$234	68.0	1.4/.7	13	240	DS
	1200/1000	230/460	200/400	80C	R365★	80T11FH5406	20:1	\$384	70.0	1.3/.65	17	282	DS
<b>1/2-0.37</b>	3600/3000	230/460	200/400	71C	R366★	71T34FH5407	20:1	\$235	74.0	1.6/.8	13	240	DS
	1800/1500	230/460	200/400	71C	R367★	71T17FH5408	20:1	\$244	74.0	1.8/.9	14	282	DS
	1200/1000	230/460	200/400	80C	R368★	80T11FH5409	20:1	\$399	72.0	1.9/.95	19	282	DS
<b>3/4-0.55</b>	3600/3000	230/460	200/400	71C	R369★	71T34FH5410	20:1	\$247	74.0	2.4/1.2	15	282	DS
	1800/1500	230/460	200/400	80C	R370★	80T17FH5411	20:1	\$265	74.0	2.5/1.25	18	282	DS
	1200/1000	230/460	200/400	80C	R371★	80T11FH5412	20:1	\$423	72.0	2.7/1.35	22	320	DS
<b>1-0.75</b>	3600/3000	230/460	200/400	80C	<b>R372★</b>	80T34FH5413	20:1	\$272	75.5	2.8/1.4	21	282	DS
	1800/1500	230/460	200/400	80C	<b>R373★</b>	80T17FH5414	20:1	\$284	80.0	3.2/1.6	26	282	DS
	1200/1000	230/460	200/400	90SC	<b>R374★</b>	90ST11FH5415	20:1	\$445	80.0	3.3/1.7	35	320	DS
<b>1 1/2-1.1</b>	3600/3000	230/460	200/400	80C	<b>R375★</b>	80T34FH5416	20:1	\$310	84.0	4.0/2.0	30	282	DS
	1800/1500	230/460	200/400	90SC	<b>R376★</b>	90ST17FH5417	20:1	\$316	85.5	4.6/2.3	37	320	DS
<b>2-1.5</b>	3600/3000	230/460	200/400	90SC	<b>R377★</b>	90ST34FH5418	20:1	\$344	85.5	5.2/2.6	33	320	DS
	1800/1500	230/460	200/400	90SC	<b>R378★</b>	90LT17FH5419	20:1	\$351	84.0	5.8/2.9	38	320	DS
<b>3-2.2</b>	3600/3000	230/460	200/400	90LC	<b>R379★</b>	90LT34FH5420	20:1	\$497	86.5	7.2/3.6	39	320	DS

Blue shaded areas are Cast Iron Frames

★ Stock Model † Requires nameplate modification

Catalog numbers (Cat No.) highlighted in bold blue have efficiency levels that meet or exceed U.S. EPAAct and/or NRCan Canadian standards.

GLOBETROTTER® - IEC

Footnotes:  
DS Sourced

# Mounting Kits for IEC Motors

## Multiplier Symbol S4

### FF - Flange Mounting Kits B5 Mounting

Frame	Frame Construction	Style Letter*	Catalog Number	KIT Number	Assembled List Price	Kit Only List Price	Bolt Circle "mm"
63	Aluminum	None	A569	KIT 635115	\$160	\$47	115
71	Aluminum	None	A570	KIT 715130	\$170	\$55	130
80	Aluminum	None	A571	KIT 805165	\$180	\$60	165
90	Aluminum	None	A572	KIT 905165	\$190	\$63	165
100	Cast Iron	None	A573	KIT 1005215	\$205	\$84	215
100	Cast Iron	A		KIT 175984	\$205	Contact Factory	215
112	Cast Iron	None	A574	KIT 1125215	\$245	\$90	215
112	Cast Iron	A		KIT 175986	\$245	Contact Factory	215
132	Cast Iron	None	A575	KIT 1325265	\$260	\$120	265
132	Cast Iron	A		KIT 175988	\$260	Contact Factory	265
160	Cast Iron	None	A576	KIT 1605300	\$370	\$227	300
160	Cast Iron	A		KIT 175990	\$370	Contact Factory	300
180	Cast Iron	None	A577	KIT 1805300	\$390	\$281	300
180	Cast Iron	A		KIT 175890	\$390	Contact Factory	300
200	Cast Iron	None	A578	KIT 2005350	\$650	\$367	350
200	Cast Iron	A		KIT 175994	\$650	Contact Factory	350
225	Cast Iron	None	A579	KIT 2255400	\$975	\$470	400
225	Cast Iron	A		KIT 175995	\$975	Contact Factory	400

Important:

For proper flange kit selection, verify whether model number contains the letter "A" in the 8th position (style Letter), and consult chart at left and below for correct kit.

### FT - Face Mounting Kits B14 Mounting

Frame	Frame Construction	Style Letter*	Catalog Number	KIT Number	Assembled List Price	Kit Only List Price	Bolt Circle "mm"
63	Aluminum	None	A561	KIT 631475	\$155	\$43	75
71	Aluminum	None	A562	KIT 711485	\$160	\$47	85
80	Aluminum	None	A563	KIT 8014100	\$170	\$53	100
90	Aluminum	None	A564	KIT 9014115	\$180	\$58	115
100	Cast Iron	None	A565	KIT 10014130	\$190	\$77	130
100	Cast Iron	A		KIT 175985	\$190	Contact Factory	130
112	Cast Iron	None	A566	KIT 11214130	\$205	\$84	130
112	Cast Iron	A		KIT 175987	\$205	Contact Factory	130
132	Cast Iron	None	A567	KIT 13214165	\$250	\$112	165
132	Cast Iron	A		KIT 175989	\$250	Contact Factory	165
160	Cast Iron	None	A568	KIT 16014215	\$365	\$219	215
160	Cast Iron	A		KIT 175991	\$365	Contact Factory	215

\* Style letter refers to the 8th position in the motor's model number.  
Example: 132STFCA4526

For typical outline drawing, see page 89.

**NOTE:** Assembly leadtime through Modification Center is 3-4 working days based on product availability at the time of order placement.

### Metric Flanges To Reduce Diameter For Aluminum Frame Motors Only

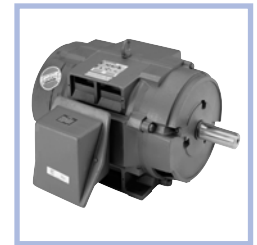
Motor Frame	New Frame Diameter	Catalog Number	Kit Number	Kit Only List Price
63	56	A585	KIT 175900	\$39
71	63	A586	KIT 175901	\$45
80	71	A587	KIT 175902	\$50
90	80	A588	KIT 175903	\$53

# NEMA Premium® Efficiency, XRI® Three Phase, Drip Proof Rigid Base

**Applications:** General purpose use on compressors, pumps, conveyors, blowers, and other machinery in environments that are relatively clean and dry. Substantial energy savings can be realized when using these high efficiency motors. Guaranteed efficiencies offer an **eXtra Return** on your **I**nvestment when using these premium efficiency motors on high cycle or long run time applications.

**Features:** **Meets or exceeds NEMA Premium® efficiencies**

- Ball bearings
- 1.15 Service Factor
- Class F Insulation
- Nameplated 60/50 hertz
- UL Recognized and CSA Certified
- Three year warranty
- Motors are suitable for 10:1 VT on all frame sizes and 10:1 CT up to 365T frame (Except where noted)



HP	RPM	VOLTS	FRAME	OVER LOAD	CAT. NO.	MODEL NO.	LIST PRICE	MULT. SYMB.	NOM. EFF.	F.L. AMPS	APPROX. WGT. LBS.	"C" DIM.	FOOT NOTES	C FACE KIT
<b>1</b>	3600	208-230/460	56	TSTAT	<b>U244</b>	56T34D6001	<b>\$380</b>	E2	80.0	2.8-3.4/1.4	24	10.18	13	A435
	1800	208-230/460	143T	NONE	<b>E927</b> ★	143TTDR6026	<b>\$287</b>	E2	84.0	3.2-3.2/1.6	35	11.99	d,NP,5,13,20	A436
	1800	208-230/460	143T	TSTAT	<b>U758</b> ★	143TTDR6027	<b>\$433</b>	E2	85.5	3.2/1.6	30	12.12		A600
	1200	208-230/460	145T	TSTAT	<b>U265</b>	145TTDR6076	<b>\$504</b>	E2	82.5	3.8-4.4/2.2	41	12.62		A600
<b>1 1/2</b>	3600	208-230/460	143T	TSTAT	<b>U245</b>	143TTDR6028	<b>\$423</b>	E2	84.0	4.4-4.0/2.0	36	12.28		A600
	1800	208-230/460	145T	NONE	<b>E928</b> ★	145TTDR6026	<b>\$313</b>	E2	85.5	4.6-4.2/2.1	45	12.49	d,NP,5,13,20	A436
	1800	208-230/460	145T	TSTAT	<b>U759</b> ★	145TTDR6028	<b>\$452</b>	E2	86.5	4.8-5.6/2.4	35	12.62		A600
	1200	208-230/460	182T	TSTAT	<b>U266</b>	182TTDR6076	<b>\$593</b>	E2	86.5	5.6/2.8	82	14.69		A666
<b>2</b>	3600	208-230/460	145T	TSTAT	<b>U246</b>	145TTDR6039	<b>\$499</b>	E2	85.5	5.2-4.8/2.4	43	13.12		A600
	1800	208-230/460	145T	NONE	<b>E929</b> ★	145TTDR6027	<b>\$345</b>	E2	85.5	6.0-5.6/2.8	36	13.49	d,NP,5,13,20	A436
	1800	208-230/460	145T	TSTAT	<b>U760</b> ★	145TTDR6029	<b>\$512</b>	E2	86.5	5.8/2.9	37	13.62		A600
	1200	208-230/460	184T	TSTAT	<b>U267</b>	184TTDR6076	<b>\$604</b>	E2	87.5	7.2/3.6	90	15.19		A666
<b>3</b>	3600	208-230/460	145T	TSTAT	<b>U247</b>	145TTDR6002	<b>\$504</b>	E2	86.5	8.0-7.2/3.6	45	13.12		A600
	1800	208-230/460	182T	TSTAT	<b>E930</b> ★	182TTDR6030	<b>\$525</b>	E2	89.5	8.4-7.8/3.9	76	14.19		A666
	1200	208-230/460	213T	TSTAT	<b>U268</b>	213TTDC6076	<b>\$739</b>	E2	88.5	10.2-10.0/5.0	156	16.38	DS	A602
<b>5</b>	3600	208-230/460	182T	TSTAT	<b>U248</b>	182TTDR6001	<b>\$553</b>	E2	86.5	13.0-12.0/6.0	86	15.19		A666
	1800	208-230/460	184T	TSTAT	<b>E931</b> ★	184TTDR6031	<b>\$590</b>	E2	89.5	13.6-12.8/6.4	89	15.19		A666
	1200	208-230/460	215T	TSTAT	<b>U269</b>	215TTDC6076	<b>\$964</b>	E2	90.2	15.8-15.0/7.5	185	16.38	DS	A602
<b>7 1/2</b>	3600	208-230/460	184T	TSTAT	<b>U249</b>	184TTDR6001	<b>\$800</b>	E2	88.5	19.6-17.6/8.8	106	16.19		A666
	1800	208-230/460	213T	TSTAT	<b>U763</b> ★	213TTDC6026	<b>\$764</b>	E2	91.0	20.6-19.8/9.9	160	16.38	DS	A602
	1200	208-230/460	254T	TSTAT	<b>U254</b>	254TTDC6076	<b>\$1,206</b>	E2	92.4	23.4-22.4/11.2	281	20.94	DS,YD	A622
<b>10</b>	3600	208-230/460	213T	TSTAT	<b>U764</b> ★	213TTDC6001	<b>\$872</b>	E2	91.0	25.0-23.6/11.8	150	16.38	d,DS	A602
	1800	208-230/460	215T	TSTAT	<b>U765</b> ★	215TTDC6026	<b>\$902</b>	E2	91.7	28.5-25.6/12.8	220	17.87	DS	A602
	1200	208-230/460	256T	TSTAT	<b>U255</b>	256TTDC6076	<b>\$1,503</b>	E2	91.7	31.0-29.6/14.8	305	22.60	DS,YD	A622
<b>15</b>	3600	208-230/460	215T	TSTAT	<b>U766</b> ★	215TTDC6001	<b>\$1,170</b>	E2	91.0	38.0-34.6/17.3	184	17.87	DS, 2:1	A602
	1800	208-230/460	254T	TSTAT	<b>U767</b> ★	254TTDC6026	<b>\$1,200</b>	E2	93.0	40.5-37.0/18.5	310	20.94	DS,YD	A622
	1200	208-230/460	284T	TSTAT	<b>U256</b>	284TTDC6076	<b>\$1,979</b>	E2	92.4	42.0-39.5/19.7	414	23.54	DS,YD	A626

Blue shaded areas are Cast Iron Frames

★ **Stock Model**

Catalog numbers (Cat No.) highlighted in bold blue have efficiency levels that meet or exceed U.S. EPA and/or NRC Canadian standards.

**Footnotes:**

- d To be discontinued after stock is gone
- DS Sourced
- NP Does not meet NEMA Premium® efficiency
- YD 12 Leads for WYE-DELTA, Part Winding Start on low voltage, or across-the-line starting

- 5 56H, 143T, and 145T Combination Base with 12 mounting holes
- 13 F1 Mounting Only, Cannot reassemble to F2
- 20 Rated 60/50 hertz, 190/380 or 380 volt at next lower horsepower
- 2:1 Suitable for 2:1 CT operation

Continued on next page.

**Note:** Rated efficiency is at 230/460 volts.

# NEMA Premium® Efficiency, XRI® Three Phase, DripProof

## Rigid Base

HP	RPM	VOLTS	FRAME	OVER LOAD	CAT. NO.	MODEL NO.	LIST PRICE	MULT. SYMB.	NOM. EFF.	F.L. AMPS	APPROX. WGT. LBS.	"C" DIM.	FOOT NOTES	C FACE KIT
<b>20</b>	3600	208-230/460	254T	TSTAT	<b>U768</b> *	254TTDC6001	\$1,472	E2	93.0	50.0-46.0/23.0	300	20.94	d,DS,YD	A622
	1800	208-230/460	256T	TSTAT	<b>U769</b> *	256TTDC6026	\$1,465	E2	93.0	55.0-51.0/25.5	360	22.60	DS,YD	A622
	1200	208-230/460	286T	TSTAT	<b>U257</b>	286TTDC6076	\$2,411	E2	92.4	58.0-55.0/27.5	457	25.00	DS,YD	A626
<b>25</b>	3600	208-230/460	256T	TSTAT	<b>U770</b> *	256TTDC6001	\$1,824	E2	93.0	64.0-57.4/28.7	315	22.60	DS,YD	A622
	1800	208-230/460	284T	TSTAT	<b>U771</b> *	284TTDC6026	\$1,824	E2	93.6	66.0-59.6/29.8	424	23.54	DS,YD	A626
	1200	208-230/460	324T	TSTAT	<b>U798</b>	324TTDC6076	\$2,872	E2	93.0	72.0-67.0/33.5	695	26.02	DS,YD	A627
<b>30</b>	3600	208-230/460	284TS	TSTAT	<b>U772</b>	284TSTDC6001	\$2,119	E2	94.1	75.0-67.0/33.5	396	22.17	DS,YD	N/A
	1800	208-230/460	286T	TSTAT	<b>U773</b> *	286TTDC6026	\$1,979	E2	94.1	78.0-71.0/35.5	483	25.00	DS,YD	A626
	1200	208-230/460	326T	TSTAT	<b>U799</b>	326TTDC6076	\$2,995	E2	93.6	86.3-78.0/39.0	760	27.52	DS,YD	A627
<b>40</b>	3600	208-230/460	286TS	TSTAT	<b>U774</b> *	286TSTDC6001	\$2,791	E2	93.6	100-91.2/45.6	452	23.62	d,DS,YD,2:1	N/A
	1800	208-230/460	324T	TSTAT	<b>U775</b> *	324TTDC6026	\$2,609	E2	94.1	104-96.0/48.0	581	26.02	DS,YD	A627
	1200	208-230/460	364T	TSTAT	<b>U1927</b>	364TTDCA6086	\$4,269	E2	94.1	107-100/50.0	875	31.60	DS,YD	N/A
<b>50</b>	3600	208-230/460	324TS	TSTAT	<b>U776</b> *	324TSTDC6001	\$3,403	E2	94.1	123-112/56.0	548	24.53	d,DS,YD	N/A
	1800	208-230/460	326T	TSTAT	<b>U777</b> *	326TTDC6026	\$3,152	E2	94.5	129-118/59.0	710	27.52	DS,YD	A627
	1200	208-230/460	365T	TSTAT	<b>U1928</b>	365TTDCA6086	\$4,885	E2	94.1	134-125/62.5	930	32.80	DS,YD	N/A
<b>60</b>	3600	208-230/460	326TS	TSTAT	<b>U778</b> *	326TSTDC6001	\$4,071	E2	94.1	148-136/68.0	590	26.02	DS,YD	N/A
	1800	208-230/460	364T	TSTAT	<b>U779</b> *	364TTDC6060	\$3,468	E2	94.1	152-139/69.5	716	28.01	d,DS,NP,YD	A628
	1800	208-230/460	364T	TSTAT	<b>U1779</b> *	364TTDCA6060	\$3,468	E2	95.4	151.5-140/70.0	1005	31.60	DS,YD	N/A
	1200	230/460	404T	TSTAT	<b>U270</b>	-----	\$5,858	E2	95.0	146/73.0	975	32.50		A222
<b>75</b>	3600	208-230/460	364TS	TSTAT	<b>U782</b> *	364TSTDC6001	\$5,379	E2	94.5	193-176/88.0	850	26.89	d,DS,YD	N/A
	3600	208-230/460	364TS	TSTAT	<b>U1782</b> *	364TSTDCA6001	\$5,379	E2	93.6	190-170/85.0	937	29.50	DS,YD	N/A
	1800	208-230/460	365T	TSTAT	<b>U783</b> *	365TTDC6060	\$4,278	E2	94.5	189-174/87.0	856	31.18	d,DS,NP,YD	A628
	1800	208-230/460	365T	TSTAT	<b>U1783</b> *	365TTDCA6060	\$4,278	E2	95.4	189-174/87.0	1030	32.80	DS,YD	N/A
	1200	230/460	405T	TSTAT	<b>U271</b>	-----	\$6,975	E2	95.0	180/90.0	1100	34.00		A222
<b>100</b>	3600	208-230/460	365TS	TSTAT	<b>U784</b> *	365TSTDC6001	\$6,081	E2	94.5	258-226/113	790	29.06	d,DS,YD	N/A
	3600	208-230/460	365TS	TSTAT	<b>U1784</b> *	365TSTDCA6001	\$6,081	E2	94.5	251-224/112	1016	30.60	DS,YD	N/A
	1800	230/460	404T	NONE	<b>E922</b> *	404TTDS6060	\$5,852	E2	95.4	226/113	1025	32.50	YD	A222
	1200	230/460	444T	TSTAT	<b>U272</b>	444TTDS16077	\$6,833	E2	95.4	234/117	1300	37.75		A228
<b>125</b>	3600	460	404TS	NONE	<b>U250</b>	404TSTDS6001	\$7,575	E2	95.0	140	973	29.50		A225
	1800	460	405T	NONE	<b>E923</b> *	405TTDS6060	\$7,408	E2	95.4	141	1150	34.00	YD	A222
	1200	460	445T	TSTAT	<b>U273</b>	-----	\$10,848	E2	95.0	145	1500	39.75		A228
<b>150</b>	3600	460	405TS	NONE	<b>U251</b>	405TSTDS6007	\$9,215	E2	95.0	165	1075	31.00		A225
	1800	460	444T	NONE	<b>E924</b> *	444TTDS6060	\$8,748	E2	95.8	170	1275	37.75	YD	A228
	1200	460	447T	TSTAT	<b>U274</b>	-----	\$12,025	E2	95.4	185	2050	43.25		N/A
<b>200</b>	3600	460	444TS	TSTAT	<b>U252</b>	-----	\$14,334	E2	95.8	216	1277		YD	A231
	1800	460	445T	NONE	<b>E925</b> *	445TTDS6060	\$10,087	E2	95.8	225	1500	39.75	YD	A228
	1200	460	447T	TSTAT	<b>U275</b>	-----	\$14,715	E2	95.4	245	2200	43.25		N/A
<b>250</b>	3600	460	447TS	NONE	U785	447TSTDN16604	\$16,694	E2	95.8	274	1438	39.50	YD	A293
	1800	460	445T	NONE	E926	445TTDS6061	\$13,375	E2	95.4	285	1500	39.75	NP,YD	A228
	1800	460	447T	NONE	U786	-----	\$11,956	E2	96.2	292	1438		YD	N/A
	1200	460	449T	NONE	U787	-----	\$18,456	E2	95.4	308	1745		YD	N/A
<b>300</b>	3600	460	447TS	NONE	U788	447TSTDN16007	\$19,475	E2	95.4	336	1745	39.50	YD	A293
	1800	460	447T	NONE	U789	447TTDN16041	\$16,013	E2	96.2	340	1745	43.25	YD	N/A
	1200	460	449T	NONE	U790	-----	\$23,071	E2	95.8	365	2112		YD	N/A
<b>350</b>	3600	460	447TS	NONE	U791	-----	\$21,422	E2	95.4	385	1745		YD	A293
	1800	460	447T	NONE	U792	-----	\$19,542	E2	95.8	405	1745		YD	N/A
<b>400</b>	3600	460	449TS	NONE	U793	-----	\$24,762	E2	95.8	445	2112		YD	A293
	1800	460	447T	NONE	U794	-----	\$23,442	E2	95.8	460	2112		YD	N/A

Blue shaded areas are Cast Iron Frames

\* **Stock Model**

Catalog numbers (Cat No.) highlighted in bold blue have efficiency levels that meet or exceed U.S. EPCAct and/or NRCAN Canadian standards.

**Footnotes:**

- d To be discontinued after current stock is gone
- DS Sourced
- NP Does not meet NEMA Premium® efficiency
- YD 12 Leads for WYE-DELTA, Part Winding Start on low voltage, or across-the-line starting
- 2:1 Suitable for 2:1 CT operation

Continued on next page.



# NEMA Premium® Efficiency, XRI® Three Phase, DripProof Rigid Base

HP	RPM	VOLTS	FRAME	OVER LOAD	CAT. NO.	MODEL NO.	LIST PRICE	MULT. SYMB.	NOM. EFF.	F.L. AMPS	APPROX. WGT. LBS.	"C" DIM.	FOOT NOTES	C FACE KIT
<b>450</b>	3600	460	449TS	NONE	U795	-----	<b>\$31,299</b>	E2	95.8	495	2112		YD	A293
	1800	460	449T	NONE	U796	-----	<b>\$30,536</b>	E2	96.2	518	2112		YD	N/A
<b>500</b>	3600	460	508US	NONE	U797	-----	<b>\$37,869</b>	E2	95.4	545	2147		NP,YD	N/A
	1800	460	449T	NONE	U261	-----	<b>\$37,112</b>	E2	96.2	572	3350	48.25		N/A
<b>600</b>	3600	460	508US	NONE	U263	-----	<b>\$43,878</b>	E2	95.8	662	3450	48.50	NE	N/A
<b>650</b>	3600	460	508US	NONE	U264	-----	<b>\$45,853</b>	E2	95.8	715	3500	48.50	NE	N/A

Blue shaded areas are Cast Iron Frames

★ **Stock Model**

Catalog numbers (Cat No.) highlighted in bold blue have efficiency levels that meet or exceed U.S. EPA and/or NRC Canadian standards.

**Footnotes:**

- NE Exempt from NEMA Premium efficiency requirement
- YD 12 Leads for WYE-DELTA, Part Winding Start on low voltage, or across-the-line starting
- NP Does not meet NEMA Premium® efficiency

# NEMA Premium® Efficiency, XRI® Three Phase, Totally Enclosed

## C-Face with Rigid Base Inverter Duty



**Applications:** General purpose use on gear reducers, pumps, machine tools, and other direct-coupled equipment installed in damp, dusty, or dirty environments, where long life and ultra-high efficiency are desired. Guaranteed efficiencies offer an **eXtra Return** on your investment when using these premium efficiency motors on high cycle or long run applications.

- Features:**
- **Meets or exceeds NEMA Premium® efficiencies**
  - 10:1 Variable torque and 10:1 Constant Torque
  - Class F insulation system
  - CR<sup>200</sup> Corona Resistant, 200 C rated magnet wire
  - 1.15 Service Factor on sinewave, 1.0 Service Factor on IGBT power
  - Rolled steel construction
  - Top mounted conduit box (F3)
  - Rated 60/50 hertz at same HP
  - Ball bearings
  - UL Recognized and CSA Certified
  - Three year warranty



HP	RPM	VOLTS	FRAME	CAT. NO.	MODEL NO.	CT SPEED RANGE	LIST PRICE	MULT. SYMB.	NOM. EFF.	FL. AMPS	APPROX. WGT. LBS.	"C" DIM	FOOT NOTES
<b>1</b>	3600	208-230/460	56C	<b>E2000</b> ★	56T34F5940	10:1	<b>\$554</b>	E9	80.0	3.0-2.8/1.4	24	11.31	
	1800	208-230/460	143TC	<b>E2001</b> ★	143TTFR5642	10:1	<b>\$445</b>	E9	85.5	3.2-3.2/1.6	32	13.75	
	1200	208-230/460	145TC	<b>E2002</b> ★	145TTFR6078	10:1	<b>\$536</b>	E9	82.5	3.8-3.8/1.9	42	13.75	
<b>1 1/2</b>	3600	208-230/460	143TC	<b>E2003</b> ★	143TTFR5582	10:1	<b>\$515</b>	E9	84.0	4.4-4.0/2.0	37	13.75	
	1800	208-230/460	145TC	<b>E2004</b> ★	145TTFR6033	10:1	<b>\$485</b>	E9	86.5	5.2-4.8/2.2	34	13.75	
	1200	208-230/460	182TC	<b>E2005</b> ★	182TTFR6076	10:1	<b>\$701</b>	E9	87.5	4.8-4.4/2.2	82	16.19	
<b>2</b>	3600	208-230/460	145TC	<b>E2006</b> ★	145TTFR3002	10:1	<b>\$571</b>	E9	85.5	5.2-4.8/2.4	44	13.75	d
	1800	208-230/460	145TC	<b>E2007</b> ★	145TTFR6035	10:1	<b>\$531</b>	E9	86.5	6.0-5.8/2.9	50	14.25	
	1200	208-230/460	184TC	<b>E2008</b> ★	184TTFR6076	10:1	<b>\$803</b>	E9	88.5	6.4-6.0/3.0	94	17.19	
<b>3</b>	3600	208-230/460	182TC	<b>E2009</b> ★	182TTFR6001	10:1	<b>\$740</b>	E9	87.5	8.0-7.6/3.8	83	15.69	d
	1800	208-230/460	182TC	<b>E2010</b> ★	182TTFR6026	10:1	<b>\$664</b>	E9	89.5	8.4-8.0/4.0	87	16.19	
	1200	208-230/460	213TC	<b>E2011</b> ★	213TTFW6076	10:1	<b>\$979</b>	E9	89.5	9.2-8.8/4.4	115	19.47	
<b>5</b>	3600	208-230/460	184TC	<b>E2012</b> ★	184TTFR6001	10:1	<b>\$858</b>	E9	88.5	13.2-12.0/6.0	95	16.67	
	1800	208-230/460	184TC	<b>E2013</b> ★	184TTFR6026	10:1	<b>\$775</b>	E9	90.2	13.8-12.4/6.2	110	17.19	
	1200	208-230/460	215TC	<b>E2014</b> ★	215TTFW6076	10:1	<b>\$1,261</b>	E9	90.2	15.0-14.0/7.0	135	20.97	
<b>7 1/2</b>	3600	208-230/460	213TC	<b>E2015</b> ★	213TTFW6001	10:1	<b>\$1,054</b>	E9	91.7	19.7-17.8/8.9	116	20.97	
	1800	208-230/460	213TC	<b>E2016</b> ★	213TTFW6026	10:1	<b>\$957</b>	E9	91.7	21.0-19.4/9.7	143	20.97	
<b>10</b>	3600	208-230/460	215TC	<b>E2018</b> ★	215TTFW6001	10:1	<b>\$1,122</b>	E9	91.7	26.4-23.6/11.8	137	22.22	
	1800	208-230/460	215TC	<b>E2019</b> ★	215TTFW6026	10:1	<b>\$1,089</b>	E9	91.7	28.0-25.6/12.8	164	22.22	

★ **Stock Model**

Catalog numbers (Cat No.) highlighted in bold blue have efficiency levels that meet or exceed U.S. EPA and/or NRC Canadian standards.

**Footnotes:**

d To be discontinued after current stock is gone

# NEMA Premium® Efficiency, Blue Chip XRI® Three Phase, Totally Enclosed

Rigid Base

**Applications:** General purpose use on compressors, pumps, conveyors, blowers, and other machinery in dirty and dusty environments. Substantial energy savings can be realized when using these high efficiency motors. Guaranteed efficiencies offer an eXtra Return on your Investment when using these premium efficiency motors on high cycle or long run time applications.

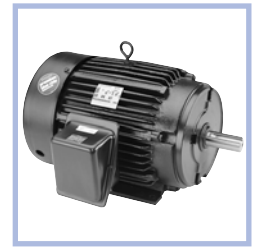
**Features:**



- Meets or exceeds NEMA Premium® efficiencies
- Blue Chip® quality, cast iron or rolled steel construction (see shaded area for cast iron)
- Shaft slinger
- Class F insulation
- 1.15 Service Factor
- Motors accept C-face kits
- Ball bearings, except where noted
- UL Recognized and CSA Certified
- Three year warranty

**Available with Nameplate Modification:**

- 1.25 Service Factor through 40 HP
- 50HZ at same HP, 1.0 Service Factor through 40 HP
- 10:1 Variable Torque, 20:1 Constant Torque on VFD at 1.0 Service Factor



HP	RPM	VOLTS	FRAME	CAT. NO.	MODEL NO.	CT SPEED RANGE*	LIST PRICE	MULT. SYMB.	NOM. EFF.	F.L. AMPS	APPROX. WGT. LBS.	"C" DIM.	FOOT NOTES	C FACE KIT
<b>1</b>	3600	230/460	56	<b>E2100</b> *	56T34F15940	10:1	\$525	E9	80.0	2.8/1.4	24	11.31		A665
	1800	230/460	143T	<b>E2101</b> *	143TTFR15642	10:1	\$458	E9	85.5	3.2/1.6	32	13.75		A642
	1800	230/460	143T	<b>E349</b> *	143TTTN6026	20:1	\$458	E9	85.5	3.0/1.5	53	10.43	d,N,20	A603
	1800	575	143T	<b>E300</b> *	143TTTN6030	20:1	\$458	E9	85.5	1.2	55	10.43	d,N	A603
	1200	230/460	145T	<b>E2102</b> *	145TTFR16078	10:1	\$576	E9	82.5	3.8/1.9	42	13.75		A642
	1200	230/460	145T	<b>E350</b> *	145TTTN6076	20:1	\$576	E9	80.0	3.4/1.7	56	11.43	d,N,NP,20	A603
<b>1 1/2</b>	3600	230/460	143T	<b>E2103</b> *	143TTFR15582	10:1	\$573	E9	84.0	4.0/2.0	37	13.75		A642
	3600	230/460	143T	<b>E351</b> *	143TTTN6001	20:1	\$573	E9	86.5	4.0/2.0	54	10.43	d,N	A603
	1800	230/460	145T	<b>E2104</b> *	145TTFR16033	10:1	\$497	E9	86.5	4.8/2.4	34	13.75		A642
	1800	230/460	145T	<b>E352</b> *	145TTTN6026	20:1	\$497	E9	84.0	4.4/2.2	62	11.43	d,N,NP,20	A603
	1200	230/460	182T	<b>E2105</b> *	182TTFR16076	10:1	\$737	E9	87.5	5.6/2.8	89	15.96		A666
	1200	230/460	182T	<b>E231</b> *	182TTTS6076	20:1	\$737	E9	87.5	4.4/2.2	79	12.71	d,N,20	A644
<b>2</b>	3600	230/460	145T	<b>E2106</b> *	145TTFR13002	10:1	\$601	E9	85.5	4.8/2.4	44	13.75		A642
	3600	230/460	145T	<b>E353</b> *	145TTTN6001	20:1	\$601	E9	85.5	5.0/2.5	64	11.43	d,N,20	A603
	1800	230/460	145T	<b>E2107</b> *	145TTFR16035	10:1	\$546	E9	86.5	5.8/2.9	50	14.25		A642
	1800	230/460	145T	<b>E354</b> *	145TTTN6027	20:1	\$546	E9	85.5	6.0/3.0	64	11.43	d,N,NP	A603
	1200	230/460	184T	<b>E2108</b> *	184TTFR16076	10:1	\$911	E9	88.5	7.2/3.6	89	15.97		A666
	1200	230/460	184T	<b>E232</b> *	184TTTS6076	20:1	\$911	E9	88.5	6.0/3.0	125	13.71	d,N,20	A644
<b>3</b>	3600	230/460	182T	<b>E2109</b> *	182TTFR16001	10:1	\$825	E9	86.5	7.6/3.8	66	13.97		A666
	3600	230/460	182T	<b>E216</b> *	182TTTS6001	20:1	\$825	E9	89.5	7.6/3.8	94	12.71	d,N,20	A644
	1800	230/460	182T	<b>E2110</b> *	182TTFR16026	10:1	\$740	E9	89.5	7.8/3.9	80	14.97		A666
	1800	230/460	182T	<b>E201</b> *	182TTTS6026	20:1	\$740	E9	90.2	8.0/4.0	102	12.71	d,N	A644
	1200	230/460	213T	<b>E2111</b> *	213TTFW16076	10:1	\$1,122	E9	89.5	8.8/4.4	115	19.47		A609
	1200	230/460	213T	<b>E233</b> *	213TTFS6076	20:1	\$1,122	E9	89.5	8.8/4.4	173	18.20	d	A206
<b>5</b>	3600	230/460	184T	<b>E2112</b> *	184TTFR16001	10:1	\$917	E9	88.5	12.0/6.0	96	16.47		A666
	3600	230/460	184T	<b>E217</b> *	184TTFS6001	2:1	\$917	E9	89.5	11.8/5.9	109	15.81	d	A644
	1800	230/460	184T	<b>E2113</b> *	184TTFR16026	10:1	\$858	E9	89.5	12.8/6.4	94	15.97		A666
	1800	230/460	184T	<b>E202</b> *	184TTFS6026	20:1	\$858	E9	90.2	12.4/6.2	117	15.81	d	A644
	1800	575	184T	<b>E304</b> *	184TTFS6030	20:1	\$858	E9	90.2	5.0	125	15.81		A644
	1200	230/460	215T	<b>E2114</b> *	215TTFW16076	10:1	\$1,378	E9	90.2	14.0/7.0	135	20.97		A609
1200	230/460	215T	<b>E234</b> *	215TTFS6076	20:1	\$1,378	E9	89.5	13.8/6.9	203	19.70	d	A206	
<b>7 1/2</b>	3600	230/460	213T	<b>E2115</b> *	213TTFW16001	10:1	\$1,108	E9	91.7	17.8/8.9	116	20.97		A609
	3600	230/460	213T	<b>E218</b> *	213TTTS6001	2:1	\$1,108	E9	90.2	17.8/8.9	185	15.69	N	A206
	1800	230/460	213T	<b>E2116</b> *	213TTFW16026	10:1	\$1,051	E9	91.7	21.6/10.8	144	18.70		A667
	1800	230/460	213T	<b>E203</b> *	213TTFS6026	20:1	\$1,051	E9	91.7	19.2/9.6	194	18.20	d	A206
	1800	575	213T	<b>E305</b> *	213TTFS6030	20:1	\$1,051	E9	91.7	7.7	192	19.70	d	A206
	1200	230/460	254T	<b>E235</b> *	254TTFNA6076	20:1	\$1,751	E9	91.0	19.8/9.9	223	23.52		A284
<b>10</b>	3600	230/460	215T	<b>E2118</b> *	215TTFW16001	10:1	\$1,293	E9	91.7	23.6/11.8	137	22.22		A609
	3600	230/460	215T	<b>E219</b> *	215TTFS6001	20:1	\$1,293	E9	91.7	23.6/11.8	217	19.70	d	A206
	1800	230/460	215T	<b>E2119</b> *	215TTFW16026	10:1	\$1,266	E9	91.7	26.8/13.4	161	19.70		A667
	1800	230/460	215T	<b>E204</b> *	215TTFS6026	20:1	\$1,266	E9	91.7	25.0/12.5	213	19.70	d	A206
	1200	230/460	256T	<b>E236</b> *	256TTFNA6076	20:1	\$2,139	E9	91.0	26.2/13.1	368	25.27		A284

Blue shaded areas are Cast Iron Frames      \* Stock Model      \* Requires nameplate modifications      Catalog numbers (Cat No.) highlighted in bold blue have efficiency levels that meet or exceed U.S. EPA and/or NRC Canadian standards.

Continued on next page.

**Footnotes:**

d To be discontinued after current stock is gone  
N Totally Enclosed, Non-Ventilated

NP Does not meet NEMA Premium efficiency  
20 Rated 60/50 hertz, 190/380 or 380 volt at next lower horsepower

# NEMA Premium® Efficiency, Blue Chip XRI® Three Phase, Totally Enclosed

## Rigid Base

HP	RPM	VOLTS	FRAME	CAT. NO.	MODEL NO.	CT SPEED RANGE *	LIST PRICE	MULT. SYMB.	NOM. EFF.	F.L. AMPS	APPROX. WGT. LBS.	"C" DIM.	FOOT NOTES	C FACE KIT
<b>15</b>	3600	230/460	254T	<b>E220</b> ★	254TTFNA6001	2:1	\$1,698	E9	91.7	35.0/17.5	350	23.52		A284
	1800	230/460	254T	<b>E205</b> ★	254TTFNA6026	20:1	\$1,594	E9	92.4	37.6/18.8	350	23.52		A284
	1800	575	254T	<b>E307</b> ★	254TTFNA6030	20:1	\$1,594	E9	92.4	15.1	350	23.52		A284
	1200	230/460	284T	<b>E237</b> ★	284TTFNA6076	20:1	\$2,839	E9	91.7	40.8/20.4	475	26.34		A618
<b>20</b>	3600	230/460	256T	<b>E221</b> ★	256TTFNA6001	2:1	\$2,104	E9	92.4	46.8/23.4	375	25.27		A284
	1800	230/460	256T	<b>E206</b> ★	256TTFNA6026	20:1	\$1,986	E9	93.0	48.2/24.1	425	25.27		A284
	1800	575	256T	<b>E308</b> ★	256TTFNA6030	20:1	\$1,986	E9	93.0	19.3	425	25.27		A284
	1200	230/460	286T	<b>E238</b> ★	286TTFNA6076	20:1	\$3,459	E9	91.7	53.6/26.8	550	27.84		A618
<b>25</b>	3600	230/460	284TS	<b>E222</b> ★	284TSTFNA6001	2:1	\$2,592	E9	93.6	56.2/28.1	475	24.97		A618
	1800	230/460	284T	<b>E207</b> ★	284TTFNA6026	20:1	\$2,365	E9	93.6	62.0/31.0	500	26.34		A618
	1800	575	284T	<b>E309</b> ★	284TTFNA6030	20:1	\$2,365	E9	93.6	24.8	500	26.34		A618
	1200	230/460	324T	<b>E239</b> ★	324TTFS6076	20:1	\$4,193	E9	93.0	65.0/32.5	675	28.87		A214
<b>30</b>	3600	230/460	286TS	<b>E223</b> ★	286TSTFNA6001	2:1	\$3,027	E9	93.6	67.6/33.8	500	26.47		A618
	1800	230/460	286T	<b>E208</b> ★	286TTFNA6026	20:1	\$2,750	E9	94.1	73.0/36.5	525	27.84		A618
	1800	575	286T	<b>E310</b> ★	286TTFNA6030	20:1	\$2,750	E9	94.1	29.2	525	27.84		A618
	1200	230/460	326T	<b>E240</b> ★	326TTFS6076	20:1	\$4,829	E9	93.0	77.0/38.5	725	30.37		A214
<b>40</b>	3600	230/460	324TS	<b>E224</b> ★	324TSTFS6001	2:1	\$3,992	E9	93.6	94.0/47.0	675	27.37		A214
	1800	230/460	324T	<b>E209</b> ★	324TTFS6026	20:1@	\$3,653	E9	94.1	95.0/47.5	750	30.37		A214
	1800	575	324T	<b>E311</b> ★	324TTFS6030	20:1@	\$3,653	E9	94.1	39.0	750	30.37		A214
	1200	230/460	364T	<b>E241</b> ★	364TTFS6086	20:1@	\$6,544	E9	93.6	100/50.0	950	31.50		A395
<b>50</b>	3600	230/460	326TS	<b>E225</b> ★	326TSTFS6001	2:1	\$5,164	E9	93.6	116/58.0	725	28.87		A214
	1800	230/460	326T	<b>E210</b> ★	326TTFS6026	20:1@	\$4,486	E9	94.5	120/60.0	775	31.87		A214
	1800	575	326T	<b>E312</b> ★	326TTFS6030	20:1@	\$4,486	E9	94.5	48.0	775	31.87		A214
	1200	230/460	365T	<b>E242</b> ★	365TTFS6086	20:1@	\$7,516	E9	93.6	123/61.5	1000	32.50		A395
<b>60</b>	3600	230/460	364TS	<b>E226</b> ★	364TSTFS6001	2:1	\$6,794	E9	94.5	134/67.0	925	29.38		A396
	1800	230/460	364T	<b>E211</b> ★	364TTFS6036	20:1@	\$6,436	E9	95.0	138/69.0	1000	31.50		A395
	1800	575	364T	<b>E313</b> ★	364TTFS6040	20:1@	\$6,436	E9	95.0	55.0	1000	31.50		A395
	1200	230/460	404T	<b>E243</b> ★	404TTFS6086	20:1@	\$8,806	E9	94.5	144/72.0	1200	35.62		A223
<b>75</b>	3600	230/460	365TS	<b>E227</b> ★	365TSTFS6001	2:1	\$8,531	E9	94.5	168/84.0	1025	30.38		A396
	1800	230/460	365T	<b>E212</b> ★	365TTFS6036	20:1@	\$8,159	E9	95.4	172/86.0	1100	32.50		A395
	1800	575	365T	<b>E315</b> ★	365TTFS6040	20:1@	\$8,159	E9	95.4	69.0	1100	32.50		A395
	1200	230/460	405T	<b>E244</b> ★	405TTFS6086	20:1@	\$10,366	E9	94.5	180/90	1300	37.12		A223
<b>100</b>	3600	230/460	405TS	<b>E228</b> ★	405TSTFS6001	2:1	\$11,431	E9	95.0	216/108	1250	34.12		A226
	1800	230/460	405T	<b>E213</b> ★	405TTFS6036	20:1@	\$10,080	E9	95.4	226/113	1375	37.12		A223
	1800	575	405T	<b>E314</b> ★	405TTFS6040	20:1@	\$10,080	E9	95.4	90.5	1375	37.12		A223
	1200	230/460	444T	<b>E328</b> ★	444TTFN6086	20:1@	\$15,286	E9	95.0	248/124	2000	41.25		A620
<b>125</b>	3600	460	444TS	<b>E229</b> ★	444TSTFS6001	2:1	\$14,944	E9	95.4	136	1750	37.50	PW	A226
	1800	460	444T	<b>E214</b> ★	444TTFS6036	20:1@	\$13,270	E9	95.4	141	1850	41.25	PW	A223
	1200	460	445T	<b>E246</b> ★	445TTFN6086	20:1@	\$17,402	E9	95.0	155	2050	43.19		A620

Blue shaded areas are Cast Iron Frames

★ Stock Model

\* Requires nameplate modifications

@ Requires larger fan

Catalog numbers (Cat No.) highlighted in bold blue have efficiency levels that meet or exceed U.S. EPCa and/or NRCa Canadian standards.

Continued on next page.

### Footnotes:

PW Part Winding Start Capability

# NEMA Premium® Efficiency, Blue Chip XRI® Three Phase, Totally Enclosed

Rigid Base

HP	RPM	VOLTS	FRAME	CAT. NO.	MODEL NO.	CT SPEED RANGE *	LIST PRICE	MULT. SYMB.	NOM. EFF.	F.L. AMPS	APPROX. WGT. LBS.	"C" DIM.	FOOT NOTES	C FACE KIT
<b>150</b>	3600	460	445TS	<b>E230</b>	445STFN6001	2:1	\$17,952	E9	95.8	165	2050	39.44		A621
	1800	460	445T	<b>E215</b> ★	445TTFN6036		\$15,428	E9	95.8	172	2050	43.19		A621
	1200	460	445T	<b>E289</b>	445TTFN6087		\$19,470	E9	95.8	181	2500	43.19	RB	NA
<b>200</b>	1800	460	445T	<b>E247</b> ★	445TTFN6038		\$18,763	E9	96.2	226	2350	43.19	RB	NA
	1200	460	447/9T	<b>E282</b>	449TTFS6088		\$23,834	E9	95.8	240	2900	51.69	H, RB	NA
<b>250</b>	3600	460	447/9TS	E271	449TSTFS6003	2:1	\$28,641	E9	96.5	274	2700	47.88	H	A624
	1800	460	445T	E287 ★	445TTFN6040		\$23,540	E9	95.8	285	2150	43.19	RB	NA
	1800	460	447/9T	E276	449TTFS6038		\$27,071	E9	96.5	285	2850	51.69	H, RB	NA
	1200	460	447/9T	E283	449TTFS6087		\$27,398	E9	95.8	300	3350	51.69	H, RB	NA
<b>300</b>	3600	460	447/9TS	E272	449TSTFS6002	2:1	\$37,124	E9	96.2	330	2700	47.88	H	A624
	1800	460	447/9T	E277	449TTFS6037		\$26,900	E9	96.5	339	3150	51.69	H, RB	NA
	1200	460	447/9T	E284	449TTFS6390		\$36,173	E9	95.8	362	3850	56.71	H, RB	NA
<b>350</b>	3600	460	447/9TS	E273	449TSTFS6001	2:1	\$42,573	E9	96.2	382	2950	47.88		A624
	1800	460	447/9T	E278	-----		\$35,102	E9	96.2	395	3400	51.69	H, RB	NA
<b>400</b>	1800	460	447/9T	E291	-----		\$35,421	E9	95.8	455	3800	56.71	H	A623
<b>450</b>	1800	460	447/9T	E292	449TTFS6065		\$36,316	E9	96.5	515	3800	56.71	H	A623

Blue shaded areas are Cast Iron Frames

★ Stock Model

\* Requires nameplate modifications

**Footnotes:**

- H Class H Insulation
- PW Part Winding Start Capability
- RB Roller Bearing on shaft end for belted loads only



# Premium Severe Duty/Chemical Processing, Three Phase, NEMA Premium® Efficiency, Blue Chip XRI®

## Totally Enclosed, Rigid Base



**Applications:** Chemical plants, paper mills, refineries, mines, food processing, foundries, and other severe duty environments where long life and ultra-high efficiency are desired. Guaranteed efficiencies offer an **eXtra R**eturn on your **I**nvestment when using these premium efficiency motors on high cycle or long run applications.

- Features:**
- Meets or exceeds NEMA Premium® efficiencies, except where noted
  - Blue Chip® quality, 100% cast iron construction for rigidity and reduced vibration
  - Provisions to add stub shaft for an encoder (182T-449T, TEFC only)
  - Internal and external epoxy paint
  - MAX GUARD® Class F insulation system
  - 1.15 Service Factor on sinewave, 1.0 Service Factor on IGBT power
  - Bearing caps (254T and larger)
  - Precision balanced
  - Extended grease tubes, regreasable in service
  - Brass drain and breather
  - Meets IEEE45 USCG Marine Duty, IP54 Construction
  - Meets Ford EM1 Automotive Duty Specification
  - Division 2 CSA certification nameplate, for hazardous locations, Class I, Groups A, B, C, and D
  - Actual test and vibration data supplied with each motor
  - Ball bearings, except where noted
  - UL Recognized (through 449T) CSA Certified
  - Three year warranty



**IP54**

**Available with Nameplate Modification (through 40 HP):**

- 2:1, 20:1, or 1000:1 Constant Torque, 1.0 Service Factor on IGBT (PWM) power
- 1.25 Service Factor through 40 HP (sinewave only)
- 50HZ at same HP, 1.0 Service Factor through 40 HP (sinewave only)
- Contact Marathon Electric for optional nameplate markings on 50 HP and larger

Suitable for use on VFD per guidelines on page 14.

HP	RPM	VOLTS	FRAME	CAT. NO.	MODEL NO.	CT SPEED RANGE*	LIST PRICE	MULT. SYMB.	NOM. EFF.	F.L. AMPS	APPROX. WGT. LBS.	"C" DIM.	FOOT NOTES	C FACE KIT
<b>3/4</b>	1200	460	143T	E648 ★	143TTTN6576	1000:1	\$561	E9	80.0	1.4	53	10.43	75,76,N	A603
	1200	460	143T	E373	143TTFN6576	20:1	\$617	E9	80.0	1.4	53	12.92	75,76	A603
<b>1</b>	1800	460	143T	<b>E649</b> ★	143TTTN6526	1000:1	\$458	E9	85.5	1.5	55	10.43	75,76,N	A603
	1800	460	143T	<b>E374</b>	143TTFN6526	20:1	\$504	E9	85.5	1.5	71	12.92	75,76	A603
	1800	230/460	143T	<b>E461</b> ★	143TTTN6563	1000:1	\$458	E9	85.5	3.1/1.5	55	12.95	75,76,N	A603
	1800	230/460	143T	<b>E375</b>	143TTFN6563	20:1	\$504	E9	85.5	3.1/1.5	71	12.95	75,76	A603
	1800	575	143T	<b>E666</b> ★	143TTTN6530	1000:1	\$458	E9	85.5	1.2	55	10.43	75,76,N	A603
	1800	575	143T	<b>E376</b>	143TTFN16539	20:1	\$504	E9	85.5	1.2	71	14.17	75,76	A603
	1200	460	145T	<b>E650</b> ★	145TTTN6576	1000:1	\$576	E9	80.0	1.65	60	11.43	75,76,N,NP	A655
	1200	230/460	145T	<b>E462</b>	145TTTN6584	1000:1	\$576	E9	80.0	3.3/1.65	60	11.43	75,76,N,NP	A655
<b>1 1/2</b>	3600	460	143T	<b>E651</b> ★	143TTTN6501	1000:1	\$573	E9	86.5	2.0	58	10.43	75,76,N	A603
	3600	460	143T	<b>E377</b>	143TTFN6501	20:1	\$630	E9	85.5	2.0	64	14.17	75,76	A603
	3600	230/460	143T	<b>E463</b>	143TTTN6502	1000:1	\$573	E9	86.5	4.0/2.0	58	10.43	75,76,N	A603
	3600	230/460	143T	<b>E378</b>	143TTFN6502	20:1	\$630	E9	85.5	4.0/2.0	64	14.17	75,76	A603
	3600	575	143T	<b>E851</b> ★	143TTTN6505	1000:1	\$573	E9	86.5	1.6	58	10.43	75,76,N	A603
	3600	575	143T	<b>E379</b>	143TTFN6505	20:1	\$630	E9	85.5	1.6	64	14.17	75,76	A603
	1800	460	145T	<b>E652</b> ★	145TTTN6526	1000:1	\$497	E9	84.0	2.2	65	11.43	75,76,N,NP	A655
	1800	230/460	145T	<b>E464</b> ★	145TTTN6834	1000:1	\$497	E9	84.0	4.4/2.2	65	11.43	75,76,N,NP	A655
	1800	575	145T	<b>E667</b> ★	145TTTN6529	1000:1	\$497	E9	84.0	1.8	65	11.43	75,76,N,NP	A655
	1200	460	182T	<b>E632</b> ★	182TTTS6576	1000:1	\$737	E9	87.5	2.2	100	12.71	75,76,N	A644
	1200	460	182T	<b>E380</b>	182TTFS6576	20:1	\$811	E9	87.5	2.2	110	15.19	75	A644
	1200	230/460	182T	<b>E465</b> ★	182TTTS6578	1000:1	\$737	E9	87.5	4.4/2.2	100	12.71	75,N	A644
1200	230/460	182T	<b>E381</b>	182TTFS6578	20:1	\$811	E9	87.5	4.4/2.2	110	15.19	75	A644	
<b>2</b>	3600	460	145T	<b>E653</b> ★	145TTTN6501	1000:1	\$601	E9	85.5	2.5	68	11.43	75,76,N	A655
	3600	460	145T	<b>E6530</b>	145TTFN6501	20:1	\$469	E9	85.5	2.0	80	14.17	75,76	A655
	3600	230/460	145T	<b>E466</b>	145TTTN6521	1000:1	\$601	E9	85.5	5.0/2.5	68	11.43	75,76,N	A655
	3600	230/460	145T	<b>E4660</b>	145TTFN6521	20:1	\$469	E9	85.5	4.0/2.0	80	14.17	75,76	A655
	3600	575	145T	<b>E852</b>	145TTTN6505	1000:1	\$601	E9	85.5	2.0	68	11.43	75,76,N	A655
	3600	575	145T	<b>E384</b>	145TTFN6505	20:1	\$661	E9	85.5	1.6	80	14.17	75,76	A655

Blue shaded areas are Cast Iron Frames

★ **Stock Model** \* **Requires nameplate modification**

Catalog numbers (Cat No.) highlighted in bold blue have efficiency levels that meet or exceed U.S. EPA and/or NRC Canadian standards.

**Footnotes:**

N Totally Enclosed, Non-Ventilated  
NP Does not meet NEMA Premium® efficiency

75 Addition of C-Face Kits may result in non-NEMA "BA" dimension; for the resulting "BA" dimension consult chart found in modification section  
76 Addition of C-Face Kits in non-NEMA "AH" dimension "AH" is 2.12", rework "AH" is 2.38".

Continued on next page.

# Premium Severe Duty/Chemical Processing, Three Phase, NEMA Premium® Efficiency, Blue Chip XRI®

Totally Enclosed, Rigid Base

SEVERE DUTY

HP	RPM	VOLTS	FRAME	CAT. NO.	MODEL NO.	CT SPEED RANGE*	LIST PRICE	MULT. SYMB.	NOM. EFF.	F.L. AMPS	APPROX. WGT. LBS.	"C" DIM.	FOOT NOTES	C FACE KIT	
<b>2</b>	1800	460	145T	<b>E654</b> ★	145TTTTN6527	1000:1	\$546	E9	85.5	3.0	68	11.43	75,76,N,NP	A655	
	1800	460	145T	<b>E385</b>	145TTFN6527	20:1	\$601	E9	86.5	2.8	68	14.17	75,76	A655	
	1800	230/460	145T	<b>E467</b> ★	145TTTTN6835	1000:1	\$546	E9	85.5	6.0/3.0	68	11.43	75,76,N,NP	A655	
	1800	230/460	145T	<b>E386</b>	145TTFN6835	20:1	\$601	E9	86.5	5.6/2.8	68	14.17	75,76	A655	
	1800	575	145T	<b>E668</b> ★	145TTTTN6530	1000:1	\$546	E9	85.5	2.4	68	11.43	75,76,N,NP	A655	
	1800	575	145T	<b>E387</b>	145TTFN6530	20:1	\$601	E9	86.5	2.2	68	14.17	75,76	A655	
	1200	460	184T	<b>E633</b> ★	184TTTS6576	1000:1	\$911	E9	88.5	3.0	112	13.71	75,N	A644	
	1200	460	184T	<b>E388</b>	184TTFS6576	20:1	\$1,002	E9	88.5	2.9	110	16.19	75	A644	
	1200	230/460	184T	<b>E468</b> ★	184TTTS6582	1000:1	\$911	E9	88.5	6.0/3.0	112	13.71	75,N	A644	
	1200	230/460	184T	<b>E389</b>	184TTFS6582	20:1	\$1,002	E9	88.5	5.8/2.9	110	16.19	75	A644	
	<b>3</b>	3600	460	182T	<b>E601</b> ★	182TTTS6501	1000:1	\$825	E9	87.5	3.8	98	12.71	75,N	A644
		3600	460	182T	<b>E390</b>	182TTFS6501	20:1	\$908	E9	87.5	3.8	105	15.19	75	A644
3600		230/460	182T	<b>E391</b>	182TTFS6519	20:1	\$908	E9	87.5	7.6/3.8	105	15.19	75	A644	
3600		575	182T	<b>E853</b>	182TTTS6505	1000:1	\$825	E9	87.5	3.0	105	12.71	75,N	A644	
3600		575	182T	<b>E392</b>	182TTFS6505	20:1	\$908	E9	87.5	3.0	105	21.57	75	A644	
1800		460	182T	<b>E616</b> ★	182TTTS6526	1000:1	\$740	E9	90.2	4.0	102	12.71	75,N	A644	
1800		460	182T	<b>E393</b>	182TTFS6526	20:1	\$814	E9	90.7	4.0	110	15.94	75	A644	
1800		230/460	182T	<b>E470</b> ★	182TTTS6538	1000:1	\$740	E9	90.2	8.0/4.0	102	12.71	75,N	A644	
1800		230/460	182T	<b>E394</b>	182TTFS6538	20:1	\$814	E9	90.7	8.0/4.0	110	15.94	75	A644	
1800		575	182T	<b>E669</b> ★	182TTTS6530	1000:1	\$740	E9	90.2	3.2	102	12.71	75,N	A644	
1800		575	182T	<b>E395</b>	182TTFS6530	20:1	\$814	E9	90.7	3.2	110	15.94	75	A644	
1200		460	213T	<b>E634</b> ★	213TTFS6576	20:1	\$1,122	E9	89.5	4.4	176	18.22	75	A206	
1200		230/460	213T	<b>E471</b> ★	213TTFS6594	20:1	\$1,122	E9	89.5	8.8/4.4	176	18.22	75	A206	
<b>5</b>		3600	460	184T	<b>E602</b> ★	184TTFS6501	2:1	\$917	E9	89.5	5.9	142	16.19	75	A644
		3600	230/460	184T	<b>E472</b> ★	184TTFS6810	2:1	\$917	E9	89.5	11.8/5.9	142	16.19	75	A644
		3600	575	184T	<b>E655</b> ★	184TTFS6505	20:1	\$917	E9	89.5	4.7	142	16.19	75	A644
	1800	460	184T	<b>E617</b> ★	184TTFS6526	20:1	\$858	E9	90.2	6.2	130	16.19	75	A644	
	1800	230/460	184T	<b>E473</b> ★	184TTFS6844	20:1	\$858	E9	90.2	12.4/6.2	130	16.19	75	A644	
	1800	575	184T	<b>E670</b> ★	184TTFS6530	20:1	\$858	E9	90.2	5.0	130	16.19	75	A644	
	1200	460	215T	<b>E635</b> ★	215TTFS6576	20:1	\$1,378	E9	89.5	6.9	202	19.72	75	A206	
	1200	230/460	215T	<b>E474</b> ★	215TTFS6881	20:1	\$1,378	E9	89.5	13.8/6.9	202	19.72	75	A206	
	1200	575	215T	<b>E683</b> ★	215TTFS6580	20:1	\$1,378	E9	89.5	5.5	202	19.72	75	A206	
	<b>7 1/2</b>	3600	460	213T	<b>E603</b> ★	213TTTS6501	1000:1	\$1,108	E9	91.7	8.9	200	17.19	75,N	A206
3600		460	213T	<b>E396</b>	213TTFS6501	2:1	\$1,219	E9	89.5	8.9	175	19.72	75	A206	
3600		230/460	213T	<b>E475</b> ★	213TTTS6502	1000:1	\$1,108	E9	91.7	17.8/8.9	200	17.19	75,N	A206	
3600		230/460	213T	<b>E397</b>	213TTFS6502	2:1	\$1,219	E9	89.5	17.8/8.9	175	18.22	75	A206	
3600		575	213T	<b>E656</b> ★	213TTTS6505	1000:1	\$1,108	E9	91.7	7.1	200	17.19	75,N	A206	
3600		575	213T	<b>E398</b>	213TTFS6505	2:1	\$1,219	E9	89.5	7.1	175	18.22	75	A206	
1800		460	213T	<b>E618</b> ★	213TTFS6526	20:1	\$1,051	E9	91.7	9.6	200	19.72	75	A206	
1800		230/460	213T	<b>E476</b> ★	213TTFS6531	20:1	\$1,051	E9	91.7	19.2/9.6	200	19.72	75	A206	
1800		575	213T	<b>E671</b> ★	213TTFS6530	20:1	\$1,051	E9	91.7	7.7	200	19.72	75	A206	
1200		460	254T	<b>E636</b> ★	254TTFNA6576	20:1	\$1,786	E9	91.0	9.9	326	23.52	75	A284	
1200		230/460	254T	<b>E477</b> ★	254TTFNA6590	20:1	\$1,786	E9	91.0	19.8/9.9	326	23.52	75	A284	
1200		575	254T	<b>E684</b> ★	254TTFNA6578	20:1	\$1,786	E9	91.0	7.9	326	23.52	75	A284	
<b>10</b>		3600	460	215T	<b>E604</b> ★	215TTFS6501	2:1	\$1,293	E9	91.7	11.8	218	19.72	75	A206
		3600	230/460	215T	<b>E478</b> ★	215TTFS6807	2:1	\$1,293	E9	91.7	23.6/11.8	218	19.72	75	A206
	3600	575	215T	<b>E657</b> ★	215TTFS6505	2:1	\$1,293	E9	91.7	9.5	218	19.72	75	A206	
	1800	460	215T	<b>E619</b> ★	215TTFS6526	20:1	\$1,266	E9	91.7	12.5	225	19.72	75	A206	
	1800	230/460	215T	<b>E479</b> ★	215TTFS6527	20:1	\$1,266	E9	91.7	25.0/12.5	225	19.72	75	A206	
	1800	575	215T	<b>E672</b> ★	215TTFS6530	20:1	\$1,266	E9	91.7	10.0	225	19.72	75	A206	
	1200	460	256T	<b>E637</b> ★	256TTFNA6576	20:1	\$2,182	E9	91.0	13.1	405	25.27	75	A284	
	1200	230/460	256T	<b>E480</b> ★	256TTFNA6596	20:1	\$2,182	E9	91.0	26.2/13.1	405	25.27	75	A284	
	1200	575	256T	<b>E685</b> ★	256TTFNA6578	20:1	\$2,182	E9	91.0	10.5	405	25.27	75	A284	

Blue shaded areas are Cast Iron Frames

★ Stock Model \* Requires nameplate modification

Catalog numbers (Cat No.) highlighted in bold blue have efficiency levels that meet or exceed U.S. EPA and/or NRCAN Canadian standards.

**Footnotes:**

N Totally Enclosed, Non-Ventilated  
NP Does not meet NEMA Premium® efficiency

75 Addition of C-Face Kits may result in non-NEMA "BA" dimension; for the resulting "BA" dimension consult chart found in modification section  
76 Addition of C-Face Kits in non-NEMA "AH" dimension "AH" is 2.12", rework "AH" is 2.38".

Continued on next page.

# Premium Severe Duty/Chemical Processing, Three Phase NEMA Premium® Efficiency, Blue Chip XRI®

## Totally Enclosed, Rigid Base

HP	RPM	VOLTS	FRAME	CAT. NO.	MODEL NO.	CT SPEED RANGE*	LIST PRICE	MULT. SYMB.	NOM. EFF.	F.L. AMPS	APPROX. WGT. LBS.	"C" DIM.	FOOT NOTES	C FACE KIT
<b>15</b>	3600	460	254T	<b>E605</b> ★	254TTFNA6501	2:1	\$1,732	E9	91.7	17.5	345	23.52	75	A284
	3600	230/460	254T	<b>E481</b> ★	254TTFNA6515	2:1	\$1,732	E9	91.7	35.0/17.5	345	23.52	75	A284
	3600	575	254T	<b>E658</b> ★	254TTFNA6503	2:1	\$1,732	E9	91.7	14.2	345	23.52	75	A284
	1800	460	254T	<b>E620</b> ★	254TTFNA6526	20:1	\$1,626	E9	92.4	18.8	350	23.52	75	A284
	1800	230/460	254T	<b>E482</b> ★	254TTFNA6529	20:1	\$1,626	E9	92.4	37.6/18.8	350	23.52	75	A284
	1800	575	254T	<b>E673</b> ★	254TTFNA6528	20:1	\$1,626	E9	92.4	15.0	350	23.52	75	A284
	1200	460	284T	<b>E638</b> ★	284TTFNA6576	20:1	\$2,896	E9	91.7	20.4	479	26.34		A618
	1200	230/460	284T	<b>E483</b> ★	284TTFNA6876	20:1	\$2,896	E9	91.7	40.8/20.4	479	26.34		A618
	1200	575	284T	<b>E694</b> ★	284TTFNA6580	20:1	\$2,896	E9	91.7	16.3	479	26.34		A618
<b>20</b>	3600	460	256T	<b>E606</b> ★	256TTFNA6501	2:1	\$2,146	E9	92.4	23.4	375	25.27	75	A284
	3600	230/460	256T	<b>E484</b> ★	256TTFNA6523	2:1	\$2,146	E9	92.4	47.0/23.4	375	25.27	75	A284
	3600	575	256T	<b>E659</b> ★	256TTFNA6503	2:1	\$2,146	E9	92.4	18.7	375	25.27	75	A284
	1800	460	256T	<b>E621</b> ★	256TTFNA6526	20:1	\$2,026	E9	93.0	24.1	425	25.27	75	A284
	1800	230/460	256T	<b>E485</b> ★	256TTFNA6529	20:1	\$2,026	E9	93.0	48.2/24.1	425	25.27	75	A284
	1800	575	256T	<b>E674</b> ★	256TTFNA6528	20:1	\$2,026	E9	93.0	19.3	425	25.27	75	A284
	1200	460	286T	<b>E639</b> ★	286TTFNA6576	20:1	\$3,528	E9	91.7	26.8	550	27.84		A618
	1200	230/460	286T	<b>E486</b> ★	286TTFNA6876	20:1	\$3,528	E9	91.7	53.5/26.8	550	27.84		A618
	1200	575	286T	<b>E695</b> ★	286TTFNA6580	20:1	\$3,528	E9	91.7	21.4	550	27.84		A618
<b>25</b>	3600	460	284TS	<b>E607</b> ★	284TSTFNA6501	2:1	\$2,644	E9	93.6	28.1	481	24.97		A618
	3600	575	284TS	<b>E660</b> ★	284TSTFNA6502	2:1	\$2,644	E9	93.6	22.5	481	24.97		A618
	1800	460	284T	<b>E622</b> ★	284TTFNA6526	20:1	\$2,413	E9	93.6	31.0	478	26.34		A618
	1800	230/460	284T	<b>E488</b> ★	284TTFNA6837	20:1	\$2,413	E9	93.6	62.0/31.0	478	26.34		A618
	1800	575	284T	<b>E675</b> ★	284TTFNA6527	20:1	\$2,413	E9	93.6	24.8	478	26.34		A618
	1200	460	324T	<b>E640</b> ★	324TTFS6576	20:1	\$4,276	E9	93.0	32.5	675	28.87		A214
	1200	575	324T	<b>E696</b> ★	324TTFS6577	20:1	\$4,276	E9	93.0	26.0	675	28.87		A214
	1200	575	324T	<b>E696</b> ★	324TTFS6577	20:1	\$4,276	E9	93.0	26.0	675	28.87		A214
<b>30</b>	3600	460	286TS	<b>E608</b> ★	286TSTFNA6501	2:1	\$3,087	E9	93.6	34.1	500	26.47		A618
	3600	230/460	286TS	<b>E490</b> ★	286TSTFNA6804	2:1	\$3,087	E9	93.6	67.5/34.0	500	26.47		A618
	1800	460	286T	<b>E623</b> ★	286TTFNA6526	20:1	\$2,805	E9	94.1	36.5	525	27.84		A618
	1800	230/460	286T	<b>E491</b> ★	286TTFNA6570	20:1	\$2,805	E9	94.1	73.0/36.5	525	27.84		A618
	1800	575	286T	<b>E676</b> ★	286TTFNA6527	20:1	\$2,805	E9	94.1	29.2	525	27.84		A618
	1200	460	326T	<b>E641</b> ★	326TTFS6576	20:1	\$4,926	E9	93.0	38.5	725	30.37		A214
	1200	575	326T	<b>E400</b>	326TTFS6580	20:1	\$4,926	E9	93.0	31.0	725	30.37		A214
	1200	575	326T	<b>E400</b>	326TTFS6580	20:1	\$4,926	E9	93.0	31.0	725	30.37		A214
<b>40</b>	3600	460	324TS	<b>E609</b> ★	324TSTFS6501	2:1	\$4,072	E9	93.6	47.0	656	27.37		A214
	3600	575	324TS	<b>E662</b> ★	324TSTFS6505	2:1	\$4,072	E9	93.6	37.5	656	27.37		A214
	1800	460	324T	<b>E624</b> ★	324TTFS6526	20:1@	\$3,726	E9	94.1	47.5	700	30.37		A214
	1800	575	324T	<b>E677</b> ★	324TTFS6527	20:1@	\$3,726	E9	94.1	38.0	700	30.37		A214
	1200	460	364T	<b>E642</b> ★	364TTFS6586	20:1@	\$6,675	E9	94.1	50.0	950	31.50	NP	A395
	1200	575	364T	<b>E401</b>	364TTFS6590	20:1@	\$6,675	E9	94.1	40.0	950	31.50	NP	A395
<b>50</b>	3600	460	326TS	<b>E610</b> ★	326TSTFS6501	2:1	\$5,268	E9	93.6	58.0	725	28.87		A214
	3600	575	326TS	<b>E663</b> ★	326TSTFS6502	2:1	\$5,268	E9	93.6	46.5	725	28.87		A214
	1800	460	326T	<b>E625</b> ★	326TTFS6526	20:1@	\$4,576	E9	94.5	60.0	775	31.87		A214
	1800	460	326TS	<b>E453</b> ★	326TSTFS6536	20:1@	\$4,576	E9	94.5	60.0	775	28.87		A214
	1800	575	326T	<b>E678</b> ★	326TTFS6527	20:1@	\$4,576	E9	94.5	48.0	775	30.37		A214
	1200	460	365T	<b>E643</b> ★	365TTFS6586	20:1@	\$7,666	E9	93.6	61.5	955	32.50	NP	A395
	1200	575	365T	<b>E402</b>	365TTFS6590	20:1@	\$7,666	E9	93.6	49.0	955	32.50	NP	A395
	1200	575	365T	<b>E402</b>	365TTFS6590	20:1@	\$7,666	E9	93.6	49.0	955	32.50	NP	A395
<b>60</b>	3600	460	364TS	<b>E611</b> ★	364TSTFS6501	2:1	\$6,929	E9	94.5	67.0	954	29.38		A396
	3600	575	364TS	<b>E664</b> ★	364TSTFS6505	2:1	\$6,929	E9	94.5	53.5	954	29.38		A396
	1800	460	364T	<b>E626</b> ★	364TTFS6536	20:1@	\$6,565	E9	95.0	69.0	980	31.50		A395
	1800	460	364TS	<b>E454</b> ★	364TSTFS6526	20:1@	\$6,565	E9	95.0	69.0	980	29.38		A396
	1800	575	364T	<b>E679</b> ★	364TTFS6537	20:1@	\$6,565	E9	95.0	55.0	980	31.50		A395
	1800	575	364T	<b>E679</b> ★	364TTFS6537	20:1@	\$6,565	E9	95.0	55.0	980	31.50		A395

Blue shaded areas are Cast Iron Frames

★ Stock Model

\* Requires nameplate modification  
@ Requires larger fan

Catalog numbers (Cat No.) highlighted in bold blue have efficiency levels that meet or exceed U.S. EPCAct and/or NRCAn Canadian standards.

**Footnotes:**

NP Does not meet NEMA Premium® efficiency

75 Addition of C-Face Kits may result in non-NEMA "BA" dimension; for the resulting "BA" dimension consult chart found in modification section

Continued on next page.

# Premium Severe Duty/Chemical Processing, Three Phase NEMA Premium® Efficiency, Blue Chip XRI®

Totally Enclosed, Rigid Base

SEVERE DUTY

HP	RPM	VOLTS	FRAME	CAT. NO.	MODEL NO.	CT SPEED RANGE*	LIST PRICE	MULT. SYMB.	NOM. EFF.	F.L. AMPS	APPROX. WGT. LBS.	"C" DIM.	FOOT NOTES	C FACE KIT
<b>60</b>	1200	460	404T	<b>E644</b> *	404TTFS6586	20:1@	\$8,982	E9	94.5	72.0	1156	35.62		A223
	1200	575	404T	<b>E403</b>	404TTFS6592	20:1@	\$8,982	E9	94.5	57.5	1156	35.62		A223
<b>75</b>	3600	460	365TS	<b>E612</b> *	365TSTFS6501	2:1	\$8,702	E9	94.5	84.0	1002	30.38		A396
	3600	575	365TS	<b>E665</b> *	365TSTFS6502	2:1	\$8,702	E9	94.5	67.0	1002	30.38		A396
	1800	460	365T	<b>E627</b> *	365TTFS6536	20:1@	\$8,322	E9	95.4	86.0	1100	32.50		A395
	1800	460	365TS	<b>E455</b> *	365TSTFS6526	20:1@	\$8,322	E9	95.4	86.0	1100	30.38		A396
	1800	575	365T	<b>E680</b> *	365TTFS6537	20:1@	\$8,322	E9	95.4	69.0	1100	32.50		A395
	1200	460	405T	<b>E645</b> *	405TTFS6586	20:1@	\$10,574	E9	94.5	90.0	1280	37.12		A223
	1200	575	405T	<b>E404</b>	405TTFS6587	20:1@	\$10,574	E9	94.5	71.5	1280	37.12		A223
	<b>100</b>	3600	460	405TS	<b>E613</b> *	405TSTFS6501	2:1	\$11,660	E9	95.0	108	1295	34.12	
3600		575	405TS	<b>E493</b>	405TSTFS6502	2:1	\$11,660	E9	95.0	87.0	1295	34.12		A226
1800		460	405T	<b>E628</b> *	405TTFS6536	20:1@	\$10,282	E9	95.4	113	1330	37.12		A223
1800		460	405TS	<b>E456</b> *	405TSTFS6526	20:1@	\$10,282	E9	95.4	113	1330	34.12		A226
1800		575	405T	<b>E681</b> *	405TTFS6538	20:1@	\$10,282	E9	95.4	90.5	1330	37.12		A223
1200		460	444T	<b>E646</b> *	444TTFS6586	20:1@	\$14,451	E9	94.5	119	1690	41.25	NP	A229
1200		575	444T	<b>E405</b>	444TTFS6590	20:1@	\$15,592	E9	94.5	94.5	1690	41.25	NP	A229
<b>125</b>		3600	460	444TS	<b>E614</b> *	444TSTFS6501	2:1	\$15,243	E9	95.4	136	1725	37.50	
	3600	575	444TS	<b>E494</b>	444TSTFS6505	2:1	\$15,243	E9	95.4	109	1725	37.50		A232
	1800	460	444T	<b>E629</b> *	444TTFS6536	20:1@	\$13,535	E9	95.4	141	1725	41.25		A229
	1800	460	444TS	<b>E457</b> *	444TSTFS6526	20:1@	\$13,535	E9	95.4	141	1725	37.50		A232
	1800	575	444T	<b>E697</b> *	444TTFS6540	20:1@	\$13,535	E9	95.4	113	1725	41.25		A229
	1200	460	445T	<b>E647</b> *	445TTFN6586	20:1@	\$17,750	E9	95.0	155	2000	43.26		A620
	1200	575	445T	<b>E406</b>	445TTFN6590	20:1@	\$17,750	E9	95.0	124	2000	43.26		A620
	<b>150</b>	3600	460	445TS	<b>E615</b> *	445TSTFN6501	2:1	\$18,311	E9	95.8	165	2187	39.44	
3600		575	445TS	<b>E495</b>	445TSTFN6502	2:1	\$18,311	E9	95.8	132	2187	39.44		A621
1800		460	445T	<b>E630</b> *	445TTFN6536	20:1@	\$15,736	E9	95.8	172	2070	43.26		A620
1800		460	445TS	<b>E458</b> *	445TSTFN6526	20:1@	\$15,736	E9	95.8	172	2070	39.44		A621
1800		575	445T	<b>E682</b> *	445TTFN6537	20:1@	\$15,736	E9	95.8	138	2070	43.26		A620
1200		460	445T	<b>E448</b> *	445TTFN6587	20:1@	\$19,859	E9	95.8	180	2500	43.26	H, RB	N/A
1200		575	445T	<b>E407</b>	445TTFN6591	20:1@	\$19,859	E9	95.8	145	2500	43.26	RB	N/A
<b>200</b>		3600	460	445TS	<b>E449</b> *	445TSTFN6505	2:1	\$23,164	E9	95.8	222	2300	39.44	H
	3600	575	445TS	<b>E496</b>	445TSTFN6506	2:1	\$23,164	E9	95.8	178	2300	39.44		A621
	1800	460	445T	<b>E631</b> *	445TTFN6538	20:1@	\$19,138	E9	96.2	226	2437	43.26	RB	N/A
	1800	460	445TS	<b>E459</b> *	445TSTFN6528	20:1@	\$19,138	E9	96.2	226	2437	39.44	H	A621
	1800	460	447/9T	<b>E770</b> *	449TTFS6530	20:1@	\$22,009	E9	96.5	225	2700	51.69	H	A623
	1800	460	447/9T	<b>E854</b> *	449TTFS6540	20:1@	\$22,009	E9	96.5	225	2700	51.69	H, RB	N/A
	1800	575	447/9T	<b>E856</b> *	449TTFS6564	20:1@	\$22,009	E9	96.5	180	2700	51.69	H, RB	N/A
	1200	460	447/9T	<b>E773</b> *	449TTFS6578	20:1@	\$24,311	E9	95.8	240	2927	51.69	H	A623
	1200	460	447/9T	<b>E687</b> *	449TTFS6588	20:1@	\$24,311	E9	95.8	240	2927	51.69	H, RB	N/A
	1200	575	447/9T	<b>E408</b>	449TTFS6582	20:1@	\$24,311	E9	95.8	192	2927	51.69	H, RB	N/A
<b>250</b>	3600	460	447/9TS	<b>E699</b>	449TSTFS6503	2:1	\$29,214	E9	96.5	274	2700	47.88	H	A624
	1800	460	445T	<b>E450</b> *	445TTFN6540	20:1@	\$24,011	E9	95.8	285	2450	43.26	H, RB	N/A
	1800	460	447/9T	<b>E771</b> *	449TTFS6528	20:1@	\$27,612	E9	96.5	285	2830	51.69	H	A623
	1800	460	447/9T	<b>E690</b> *	449TTFS6538	20:1@	\$27,612	E9	96.5	285	2830	51.69	H, RB	N/A
	1200	460	447/9T	<b>E774</b>	449TTFS6577	20:1@	\$27,946	E9	95.8	300	3415	51.69	H	A623
	1200	460	447/9T	<b>E688</b>	449TTFS6587	20:1@	\$27,946	E9	95.8	300	3415	51.69	H, RB	N/A

Blue shaded areas are Cast Iron Frames

\* Stock Model

\* Requires nameplate modification  
 @ Requires larger fan

Catalog numbers (Cat No.) highlighted in bold blue have efficiency levels that meet or exceed U.S. EPA and/or NRC Canadian standards.

**Footnotes:**

- H Class H Insulation
- NP Does not meet NEMA Premium® efficiency
- RB Roller Bearing on shaft end for belted loads only

Continued on next page.



# Premium Severe Duty/Chemical Processing, Three Phase NEMA Premium® Efficiency, Blue Chip XRI®

## Totally Enclosed, Rigid Base

HP	RPM	VOLTS	FRAME	CAT. NO.	MODEL NO.	CT SPEED RANGE*	LIST PRICE	MULT. SYMB.	NOM. EFF.	F.L. AMPS	APPROX. WGT. LBS.	"C" DIM.	FOOT NOTES	C FACE KIT
<b>300</b>	3600	460	447/9TS	E698	449TSTFS6502	2:1	\$37,866	E9	96.2	330	2700	47.88	H	A626
	1800	460	447/9T	E691	449TTFS6537	20:1@	\$27,438	E9	96.5	339	3211	51.69	H,RB	N/A
	1800	460	447/9T	E772	449TTFS6527	20:1@	\$27,438	E9	96.5	339	3211	51.69	H	A623
	1800	575	447/9T	E345	449TTFS16534	20:1@	\$27,438	E9	96.5	271	3211	51.69	H,RB	N/A
<b>350</b>	3600	460	447/9TS	E769	449TSTFS6501	2:1	\$43,424	E9	96.2	382	3064	47.88	H	A624
	1800	460	447/9T	E692	449TTFS6536	20:1@	\$35,804	E9	96.2	395	3350	51.69	H,RB	N/A
	1200	460	5011LS	E361	-----		\$60,474	S6	95.8	410	5500	67.19	77,79,90	N/A
<b>400</b>	3600	460	5011S	E369	-----		\$51,543	S6	95.8	432	5500	67.19	90	N/A
	1800	460	447/9T	E776	449TTFS16553	20:1@	\$36,759	E9	96.2	448	3800	56.71	H,79	N/A
<b>450</b>	1800	460	447/9T	E777	-----		\$37,584	E9	96.5	515	3800	56.71	H,79	N/A
	1200	460	5013LS	E363	5013LSTFS6595	N/A	\$85,984	S6	96.2	525	7200	67.19	A,77,79,90	N/A
<b>500</b>	1800	460	5011LS	E364	-----		\$59,263	S6	96.2	555	5500	67.19	77,79,90	N/A
	1200	460	5013LS	E365	-----		\$87,202	S6	96.2	580	7200	76.19	78,79,90	N/A
<b>600</b>	1800	460	5011LS	E366	-----		\$70,218	S6	96.2	655	5500	67.19	A,77,79,90	N/A
<b>700</b>	1800	460	5013LS	E368	-----		\$102,291	S6	96.5	800	7200	76.19	A,78,79,90	N/A

Blue shaded areas are Cast Iron Frames

★ Stock Model

\* Requires nameplate modification  
@ Requires larger fan

Catalog numbers (Cat No.) highlighted in bold blue have efficiency levels that meet or exceed U.S. EPAAct and/or NRCan Canadian standards.

**Footnotes:**

- A NEMA Design A  
H Class H Insulation  
RB Roller Bearing on shaft end for belted loads only  
17 1.0 Service Factor  
77 Frame size is drilled with three sets of footholes, 5010, 5011, and 5012 as standard. Foothole drilling for 5009 available upon request, as a build-up  
78 Frame size is drilled with two sets of footholes, 5012 and 5013 standard  
79 Ball bearings on both ends suitable for direct connection  
For belted applications, contact Customer Service  
90 Not UL Recognized



# Premium Severe Duty/Chemical Processing/IEEE-841, Three Phase, NEMA Premium® Efficiency, Blue Chip XRI®

Totally Enclosed, Rigid Base

SEVERE DUTY

**Applications:** For extreme applications in the process industries such as chemical plants, pulp and paper mills, refineries, above-ground mines, food processing, foundries, and other severe duty environments where long life and ultra-high efficiency are required. Guaranteed efficiencies offer an **eXtra R**eturn on your **I**nvestment when using these premium efficiency motors on high cycle or long run time applications.



- Features:**
- Meets or exceeds NEMA Premium® efficiencies
  - Meets IEEE-841 standard for severe duty applications
  - Blue Chip® quality, 100% cast iron construction for rigidity and reduced vibration
  - Inpro/Seal® VBX® bearing isolators on drive end shaft extension TENV and on both ends of TEFC
  - Provisions to add stub shaft for an encoder (182T-449T, TEFC only)
  - Internal and external epoxy paint
  - MAX GUARD® Class F insulation system
  - 1.15 Service Factor on sinewave, 1.0 Service Factor on IGBT power
  - Bearing caps (254T and larger)
  - Precision balanced
  - Extended grease tubes, regreasable in service
  - Brass drain and breather
  - Meets IEEE45 USCG Marine Duty, API RPI4F for offshore platforms, IP56
  - Meets NEMA MG1 - 1.26.6 Waterproof specification
  - Division 2 CSA certification nameplate, for hazardous locations, Class I Groups A, B, C, and D
  - Actual test and vibration data supplied with each motor
  - Ball bearings, except where noted
  - UL Recognized (through 449T), CSA Certified
  - Five year warranty



**Available with Nameplate Modification (through 40 HP):**

- 2:1, 20:1, or 1000:1 Constant Torque, 1.0 Service Factor on IGBT (PWM) power
- 1.25 Service Factor through 40 HP (sinewave only)
- 50HZ at same HP, 1.0 Service Factor through 40 HP (sinewave only)
- Contact Marathon Electric for optional nameplate markings on 50 HP and larger

Suitable for use on VFD per guidelines on page 15.

HP	RPM	VOLTS	FRAME	CAT. NO.	MODEL NO.	CT SPEED RANGE*	LIST PRICE	MULT. SYMB.	NOM. EFF.	F.L. AMPS	APPROX. WGT. LBS.	"C" DIM.	FOOT NOTES	C FACE KIT
<b>3/4</b>	1200	460	143T	W500	-----	---	\$808	E9	80.0	1.4	53	10.43	75,76,N	----
<b>1</b>	1800	460	143T	<b>W501</b> *	143THTN9026	1000:1	\$618	E9	85.5	1.5	55	10.43	75,76,N	A181
	1800	575	143T	<b>W502</b> *	143THTN19033	1000:1	\$618	E9	85.5	1.2	55	10.43	75,76,N	A181
	1200	460	145T	<b>W503</b> *	145THTN9076	1000:1	\$778	E9	80.0	1.65	60	11.43	75,76,N,NP	A262
	1200	575	145T	<b>W638</b>	145THTN19079	1000:1	\$778	E9	80.0	1.3	60	11.43	75,76,N,NP	A262
	900	460	182T	W504	182THFS9102	20:1	\$1,367	E9	74.0	2.2	110	15.19	75,NE	A182
<b>1 1/2</b>	3600	460	143T	<b>W505</b>	143THTN9001	1000:1	\$774	E9	86.5	2.0	58	10.43	75,76,d,N	A181
	3600	575	143T	<b>W506</b>	143THTN9005	1000:1	\$774	E9	86.5	1.6	58	10.43	75,76,N	A181
	1800	460	145T	<b>W507</b> *	145THTN9026	1000:1	\$670	E9	84.0	2.2	65	11.43	75,76,N,NP	A262
	1800	575	145T	<b>W508</b> *	145THTN19045	1000:1	\$670	E9	84.0	1.75	65	11.43	75,76,d,N,NP	A262
	1200	460	182T	<b>W509</b> *	182THTS9076	1000:1	\$996	E9	87.5	2.2	100	12.71	75,d,N	A182
	900	460	184T	W510	-----	---	\$1,577	E9	80.0	3.0	120	16.19	75,NE	A182
<b>2</b>	3600	460	145T	<b>W511</b>	145THTN9001	1000:1	\$811	E9	85.5	2.5	68	11.43	75,76,d,N	A262
	3600	575	145T	<b>W512</b>	145THTN19002	1000:1	\$811	E9	85.5	2.0	68	11.43	75,76,N	A262
	1800	460	145T	<b>W513</b> *	145THTN9027	1000:1	\$736	E9	85.5	3.0	68	11.43	75,76,N,NP	A262
	1800	575	145T	<b>W514</b> *	145THTN19033	1000:1	\$736	E9	85.5	2.4	68	11.43	75,76,N,NP	A262
	1200	460	184T	<b>W515</b> *	184THTS9076	1000:1	\$1,230	E9	88.5	3.0	112	13.71	75,N	A182
	900	460	213T	W516	-----	---	\$1,837	E9	84.0	3.8	170	18.22	NE	----
<b>3</b>	3600	460	182T	<b>W517</b> *	182THTS9001	1000:1	\$1,114	E9	87.5	3.8	105	12.71	75,N	A182
	3600	575	182T	<b>W518</b>	-----	---	\$1,114	E9	87.5	3.0	105	12.71	75,N	----
	1800	460	182T	<b>W519</b> *	182THTS9026	1000:1	\$999	E9	90.2	4.0	100	12.71	75,N	A182
	1800	575	182T	<b>W520</b> *	182THTS19033	1000:1	\$999	E9	90.2	3.2	100	12.71	75,N	A182
	1200	460	213T	<b>W521</b> *	213THFS9076	20:1	\$1,515	E9	89.5	4.4	176	18.22	75	A183
	900	460	215T	W522	215THFS9101	20:1	\$2,269	E9	86.5	5.0	180	19.72	75,NE	A183

Blue shaded areas are Cast Iron Frames      \* Stock Model      \* Requires nameplate modification      Catalog numbers (Cat No.) highlighted in bold blue have efficiency levels that meet or exceed U.S. EPA and/or NRC Canadian standards.

**Footnotes:**

- d To be discontinued after current stock is gone
- N Totally Enclosed, Non-Ventilated
- NE Exempt NEMA Premium efficiency requirement
- NP Does not meet NEMA Premium efficiency

- 75 Addition of C-Face Kits may result in non-NEMA "BA" dimension; for the resulting "BA" dimension consult chart found in modification section
- 76 Addition of C-Face Kits in non-NEMA "AH" dimension "AH" is 2.12", rework "AH" is 2.38".

Continued on next page.

# Premium Severe Duty/Chemical Processing/IEEE-841, Three Phase, NEMA Premium® Efficiency, Blue Chip XRI®

## Totally Enclosed, Rigid Base

HP	RPM	VOLTS	FRAME	CAT. NO.	MODEL NO.	CT SPEED RANGE*	LIST PRICE	MULT. SYMB.	NOM. EFF.	F.L. AMPS	APPROX. WGT. LBS.	"C" DIM.	FOOT NOTES	C FACE KIT
<b>5</b>	3600	460	184T	<b>W523</b> *	184THFS9001	2:1	\$1,238	E9	89.5	5.9	142	16.19	75	A182
	3600	575	184T	<b>W524</b>	184THFS19006	2:1	\$1,238	E9	89.5	4.7	142	16.19	75	A182
	1800	460	184T	<b>W525</b> *	184THFS9026	20:1	\$1,158	E9	90.2	6.2	130	16.19	75	A182
	1800	575	184T	<b>W526</b> *	184THFS9030	20:1	\$1,158	E9	90.2	5.0	130	16.19	75	A182
	1200	460	215T	<b>W527</b> *	215THFS9076	20:1	\$1,860	E9	89.5	6.9	202	19.72	75	A183
	1200	575	215T	<b>W528</b>	215THFS19077	20:1	\$1,860	E9	89.5	5.5	202	19.72	75	A183
	900	460	254T	W529	254THFNA9101		\$2,958	E9	88.5	7.5	375	23.52	75,NE	A184
	<b>7 1/2</b>	3600	460	213T	<b>W530</b> *	213THTS9001	2:1	\$1,495	E9	91.7	8.9	200	17.18	75,N
3600		575	213T	<b>W531</b>	213THTS19005	2:1	\$1,495	E9	91.7	7.1	200	17.18	75,N	A183
1800		460	213T	<b>W532</b> *	213THFS9026	20:1	\$1,419	E9	91.7	9.6	200	19.73	75	A183
1800		575	213T	<b>W533</b> *	213THFS9030	20:1	\$1,419	E9	91.7	7.7	200	19.72	75	A183
1200		460	254T	<b>W534</b> *	254THFNA9076	20:1	\$2,233	E9	91.0	9.9	326	23.52	75	A184
1200		575	254T	<b>W535</b>	-----		\$2,233	E9	91.0	7.9	326	23.52	75	
900		460	256T	W536	256THFNA9101	20:1	\$3,668	E9	88.5	11.0	425	25.27	75,NE	A185
<b>10</b>		3600	460	215T	<b>W537</b> *	215THFS9001	2:1	\$1,746	E9	91.7	11.9	218	19.72	75
	3600	575	215T	<b>W538</b>	215THFS19006	2:1	\$1,746	E9	91.7	9.5	218	19.72	75	A183
	1800	460	215T	<b>W539</b> *	215THFS9026	20:1	\$1,709	E9	91.7	12.5	225	19.72	75	A183
	1800	575	215T	<b>W540</b> *	215THFS19033	20:1	\$1,709	E9	91.7	10.0	225	19.73	75	A183
	1200	460	256T	<b>W541</b> *	256THFNA9076	20:1	\$2,727	E9	91.0	13.1	405	25.27	75	A184
	1200	575	256T	<b>W542</b>	256THFNA19081	20:1	\$2,727	E9	91.0	10.5	405	25.27	75	A184
	900	460	284T	W543	284THFNA19102	20:1	\$4,459	E9	90.2	16.0	550	27.88	NE	A185
	<b>15</b>	3600	460	254T	<b>W544</b> *	254THFNA9001	20:1	\$2,165	E9	91.7	17.5	345	23.52	
3600		575	254T	<b>W545</b>	-----		\$2,165	E9	91.7	14.2	345	23.52		
1800		460	254T	<b>W546</b> *	254THFNA9026	20:1	\$2,033	E9	92.4	18.8	350	23.52		A184
1800		575	254T	<b>W547</b> *	254THFNA9030	20:1	\$2,033	E9	92.4	15.1	350	23.52		A184
1200		460	284T	<b>W548</b> *	284THFNA9076	20:1	\$3,620	E9	91.7	20.4	479	27.88		A186
1200		575	284T	<b>W549</b> *	284THFNA16585	20:1	\$3,620	E9	91.7	16.3	479	26.34		A186
900		460	286T	W550	286THFNA19101	20:1	\$5,594	E9	90.2	22.0	575	27.84	NE	A186
<b>20</b>		3600	460	256T	<b>W551</b> *	256THFNA9001	2:1	\$2,683	E9	92.4	23.4	375	25.27	75
	3600	575	256T	<b>W552</b>	-----		\$2,683	E9	92.4	18.7	375	25.27	75	
	1800	460	256T	<b>W553</b> *	256THFNA9026	20:1	\$2,533	E9	93.0	24.1	425	25.27	75	A184
	1800	575	256T	<b>W554</b> *	256THFNA19033	20:1	\$2,533	E9	93.0	19.3	425	25.27	75	A184
	1200	460	286T	<b>W555</b>	286THFNA9076	20:1	\$4,410	E9	91.7	26.8	550	27.84		A186
	1200	575	286T	<b>W556</b>	286THFNA19077	20:1	\$4,410	E9	91.7	21.4	550	27.84		A186
	900	460	324T	W557	-----		\$6,751	E9	89.5	29.0	625	28.75	NE	
	<b>25</b>	3600	460	284TS	<b>W558</b> *	284TSHFNA9001	2:1	\$3,305	E9	93.6	28.1	481	24.97	
3600		575	284TS	<b>W559</b>	284TSHFNA9005	2:1	\$3,305	E9	93.6	22.4	481	24.97		A186
1800		460	284T	<b>W560</b> *	284THFNA9026	20:1	\$3,015	E9	93.6	31.0	478	26.44		A186
1800		575	284T	<b>W561</b> *	284THFNA19033	20:1	\$3,015	E9	93.6	24.8	478	26.34		A186
1200		460	324T	<b>W562</b>	324THFS9076	20:1@	\$5,346	E9	93.0	32.5	675	28.87		A187
1200		575	324T	<b>W563</b>	-----		\$5,346	E9	93.0	26.0	675	28.87		
900		460	326T	W564	-----		\$7,786	E9	90.2	36.5	690	30.25	NE	
<b>30</b>		3600	460	286TS	<b>W565</b> *	286TSHFNA9001	2:1	\$3,860	E9	93.6	33.8	500	26.44	
	3600	575	286TS	<b>W566</b>	-----		\$3,860	E9	93.6	27.0	500	26.47		
	1800	460	286T	<b>W567</b> *	286THFNA9026	20:1	\$3,507	E9	94.1	36.5	525	27.84		A186
	1800	575	286T	<b>W568</b> *	286THFNA19033	20:1	\$3,507	E9	94.1	29.2	525	27.84		A186
	1200	460	326T	<b>W569</b> *	326THFS9076	20:1@	\$6,157	E9	93.0	38.5	725	30.37		A187
	1200	575	326T	<b>W643</b> *	326THFS19078	20:1@	\$6,157	E9	93.0	31.0	623	30.37		A187
	900	460	364T	W570	-----		\$9,115	E9	91.7	41.0	875	31.50	NE	
	<b>40</b>	3600	460	324TS	<b>W571</b> *	324TSHFS9001	2:1	\$5,090	E9	93.6	47.0	656	27.37	
3600		575	324TS	<b>W572</b>	-----		\$5,090	E9	93.6	37.5	656	27.37		
1800		460	324T	<b>W573</b> *	324THFS9026	20:1@	\$4,657	E9	94.1	47.5	700	28.87	d	A187
1800		575	324T	<b>W574</b> *	324THFS19033	20:1@	\$4,657	E9	94.1	38.0	700	30.37		A187
1200		460	364T	<b>W575</b>	364THFS9086	20:1@	\$7,677	E9	94.1	50.0	950	31.50		A188
1200		575	364T	<b>W639</b>	364THFS19077	20:1@	\$7,677	E9	94.1	40.0	950	31.50		A188
900		460	365T	W576	365THFS19101	20:1@	\$10,946	E9	91.7	53.0	975	32.50	NE	A188

Blue shaded areas are Cast Iron Frames

**Footnotes:**

d To be discontinued after current stock is gone  
N Totally Enclosed, Non-Ventilated

\* **Stock Model**NE  
75

Exempt from NEMA Premium efficiency requirements  
Addition of C-Face Kits may result in non-NEMA  
"BA" dimension; for the resulting "BA" dimension  
consult chart found in modification section

\* **Requires nameplate modification**  
@ **Requires larger fan**

Catalog numbers (Cat No.) highlighted in bold blue have  
efficiency levels that meet or exceed U.S. EPA and/or  
NRCAN Canadian standards.

# Premium Severe Duty/Chemical Processing/IEEE-841, Three Phase, NEMA Premium® Efficiency, Blue Chip XRI®

Totally Enclosed, Rigid Base

SEVERE DUTY

HP	RPM	VOLTS	FRAME	CAT. NO.	MODEL NO.	CT SPEED RANGE*	LIST PRICE	MULT. SYMB.	NOM. EFF.	F.L. AMPS	APPROX. WGT. LBS.	"C" DIM.	FOOT NOTES	C FACE KIT
<b>50</b>	3600	460	326TS	<b>W577</b> ★	326TSHFS9001	2:1	\$6,584	E9	93.6	58.0	725	28.87		A187
	3600	575	326TS	<b>W578</b>	326TSHFS9005	2:1	\$6,584	E9	93.6	46.5	725	28.87		A187
	1800	460	326T	<b>W580</b> ★	326THFS9026	20:1@	\$5,720	E9	94.5	60.0	775	30.37		A187
	1800	460	326TS	<b>W579</b>	326TSHFS9036	20:1@	\$5,720	E9	94.5	60.0	775	28.87		A187
	1800	575	326T	<b>W581</b> ★	326THFS19033	20:1@	\$5,720	E9	94.5	48.0	775	30.37		A187
	1200	460	365T	<b>W582</b> ★	365THFS9086	20:1@	\$8,816	E9	94.5	61.5	975	32.50		A188
	1200	575	365T	<b>W640</b>	365THFS19077	20:1@	\$8,816	E9	94.5	49.0	975	32.50		A188
	900	460	404T	<b>W583</b>	404THFS9101	20:1@	\$12,316	E9	93.6	66.0	1264	35.62	NE	A190
<b>60</b>	3600	460	364TS	<b>W584</b> ★	364TSHFS9001	2:1	\$7,969	E9	94.5	67.0	925	29.38		A189
	3600	575	364TS	<b>W585</b>	-----	2:1	\$7,969	E9	94.5	54.0	925	29.38		A189
	1800	460	364T	<b>W587</b> ★	364THFS9036	20:1@	\$7,549	E9	95.0	69.0	1000	31.50		A188
	1800	460	364TS	<b>W586</b>	364TSHFS9026	20:1@	\$7,549	E9	95.0	69.0	1000	29.38		A189
	1800	575	364T	<b>W588</b> ★	364THFS19033	20:1@	\$7,549	E9	95.0	55.0	1000	31.50	d	A188
	1200	460	404T	<b>W589</b>	404THFS9086	20:1@	\$10,330	E9	94.5	72.0	1156	35.62		A190
	900	460	405T	<b>W590</b>	-----	20:1@	\$13,819	E9	93.6	80.0	1350	37.12	NE	A190
	<b>75</b>	3600	460	365TS	<b>W591</b> ★	365TSHFS9001	2:1	\$10,007	E9	94.5	84.0	1002	30.38	
3600		575	365TS	<b>W592</b>	365TSHFS19002	2:1	\$10,007	E9	94.5	67.0	1002	30.38		A189
1800		460	365T	<b>W594</b> ★	365THFS9036	20:1@	\$9,571	E9	95.4	86.0	1100	32.50		A188
1800		460	365TS	<b>W593</b>	365TSHFS9026	20:1@	\$9,571	E9	95.4	86.0	1100	30.38		A189
1800		575	365T	<b>W595</b> ★	365THFS9044	20:1@	\$9,571	E9	95.4	69.0	1100	32.50		A188
1200		460	405T	<b>W596</b>	405THFS9086	20:1@	\$12,159	E9	95.0	90.0	1280	37.12		A190
900		460	444T	<b>W597</b>	444THFS9101	20:1@	\$18,375	E9	93.6	100	1734	41.25	NE	A192
<b>100</b>		3600	460	405TS	<b>W598</b> ★	405TSHFS9001	2:1	\$13,409	E9	95.0	108	1295	34.12	
	1800	460	405T	<b>W600</b> ★	405THFS9036	20:1	\$11,824	E9	95.4	113	1330	37.12		A190
	1800	460	405TS	<b>W599</b>	405TSHFS9026	20:1@	\$11,824	E9	95.4	113	1330	34.12		N/A
	1800	575	405T	<b>W601</b> ★	405THFS9040	20:1@	\$11,824	E9	95.4	90.0	1330	37.12		A190
	1200	460	444T	<b>W636</b>	444THFN19081	20:1@	\$17,931	E9	95.0	124	2100	41.25		A192
	900	460	445T	<b>W603</b>	445THFN9106	20:1@	\$22,518	E9	94.1	142	2350	43.19	NE	A192
	<b>125</b>	3600	460	444TS	<b>W604</b>	444TSHFS9001	2:1@	\$17,530	E9	95.4	136	1725	37.50	
1800		460	444T	<b>W606</b>	444THFS9036	20:1@	\$15,566	E9	95.4	141	1725	41.25		A192
1800		575	444T	<b>W607</b> ★	444THFS9040	20:1@	\$15,566	E9	95.4	113	1725	41.25		A192
1200		460	445T	<b>W608</b>	445THFN9086	20:1@	\$20,412	E9	95.0	155	2000	43.19		A192
900		460	445T	<b>W609</b>	445THFN9102	20:1@	\$23,128	E9	94.5	172	2515	43.19	NE	A194
<b>150</b>		3600	460	445TS	<b>W610</b> ★	445TSHFN9001	2:1	\$21,058	E9	95.8	165	2187	39.37	
	1800	460	445T	<b>W612</b> ★	445THFN9036	20:1@	\$18,096	E9	95.8	172	2070	43.19		A194
	1800	575	445T	<b>W641</b>	445THFN19033	20:1@	\$18,096	E9	95.8	138	2070	43.19	d	A194
	1800	575	445T	<b>W613</b>	445THFN9037	20:1@	\$18,096	E9	95.8	138	2070	43.19	d	A194
	1200	460	445T	<b>W614</b>	445THFN9087	20:1@	\$22,839	E9	95.8	181	2500	43.19	H, RB	A194
	900	460	447/9T	<b>W615</b>	449THFS9101	20:1@	\$29,415	E9	95.4	205	3150	51.88	NE	
	<b>200</b>	3600	460	445TS	<b>W616</b>	445TSHFN9005	2:1@	\$26,639	E9	95.8	223	2300	39.37	H, SL
1800		460	445T	<b>W618</b>	445THFN9038	20:1@	\$22,009	E9	96.2	226	2437	43.19	RB	A194
1800		460	445TS	<b>W617</b> ★	445TSHFN9028	20:1@	\$22,009	E9	96.2	226	2700	39.37	d	A195
1800		460	447/9T	<b>W619</b>	449THFS9030	20:1@	\$25,310	E9	96.5	225	2700	51.69		
1800		460	447/9T	<b>W620</b>	-----		\$25,310	E9	96.5	225	2700	51.69	RB	
1800		575	445T	<b>W642</b> ★	445THFN19034	20:1@	\$25,310	E9	96.2	181	2437	43.19		A194
1200		460	447/9T	<b>W621</b>	449THFS9046	20:1@	\$27,957	E9	95.8	225	2927	51.84		
1200		460	447/9T	<b>W622</b>	449THFS9088	20:1@	\$27,957	E9	95.8	240	2927	51.69	RB	
1200		575	447/449T	<b>W630</b> ★	449THFS19079	20:1@	\$27,957	E9	95.8	192	2927	51.69	d, RB	

Blue shaded areas are Cast Iron Frames

★ **Stock Model**

\* **Requires nameplate modification**  
@ **Requires larger fan**

Catalog numbers (Cat No.) highlighted in bold blue have efficiency levels that meet or exceed U.S. EPA and/or NRC Canadian standards.

**Footnotes:**

- d To be discontinued after current stock is gone
- H Class H Insulation
- NE Exempt from NEMA Premium efficiency requirement
- RB Roller Bearing on shaft end for belted loads only.
- SL Sound level exceeds standard

Continued on next page.

# Premium Severe Duty/Chemical Processing/IEEE-841, Three Phase, NEMA Premium® Efficiency, Blue Chip XRI®

Totally Enclosed, Rigid Base

HP	RPM	VOLTS	FRAME	CAT. NO.	MODEL NO.	CT SPEED RANGE*	LIST PRICE	MULT. SYMB.	NOM. EFF.	F.L. AMPS	APPROX. WGT. LBS.	"C" DIM.	FOOT NOTES	C FACE KIT
<b>250</b>	3600	460	447/9TS	W624	449TSHFS9003	2:1	<b>\$33,596</b>	E9	96.5	274	2700	47.94		N/A
	1800	460	445T	W625	-----	20:1@	<b>\$27,612</b>	E9	95.8	285	2450	43.19	H, RB, SL	A194
	1800	460	447/9T	W626	449THFS9028	20:1@	<b>\$31,755</b>	E9	96.5	285	2830	51.69		N/A
	1800	460	447/9T	W627	-----	20:1@	<b>\$31,755</b>	E9	96.5	285	2830	51.69	RB	N/A
	1200	460	447/9T	W629	-----	20:1@	<b>\$32,138</b>	E9	95.8	300	3415	51.69	RB	
	1200	460	447/9T	W628	-----	20:1@	<b>\$32,138</b>	E9	95.8	300	3415	51.69		
<b>300</b>	3600	460	447/9TS	W631	-----	2:1	<b>\$43,547</b>	E9	96.2	330	2700	47.94	SL	
	1800	460	447/9T	W632	449THFS9027	20:1@	<b>\$32,390</b>	E9	96.5	339	3211	51.84		
	1800	460	447/9T	W633	-----	20:1@	<b>\$32,390</b>	E9	96.5	339	3211	51.69	RB	
<b>350</b>	3600	460	447/9TS	W634	449TSHFS9007	2:1	<b>\$49,938</b>	E9	96.2	382	3064	47.94	SL	
	1800	460	447/9T	W635	449THFS9036	20:1@	<b>\$41,174</b>	E9	96.2	395	3350	51.84	RB, SL	

Blue shaded areas are Cast Iron Frames

\* Requires nameplate modification  
@ Requires "R164" rework (reduces efficiency)

Catalog numbers (Cat No.) highlighted in bold blue have efficiency levels that meet or exceed U.S. EPA and/or NRC Canadian standards.

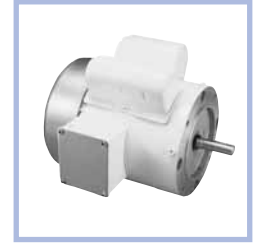
#### Footnotes:

H Class H insulation  
RB Roller Bearing on shaft end for belted loads only  
SL Sound level exceeds standard

# PowerWash™ XT Washdown Duty, Single Phase

White Epoxy, Totally Enclosed

**Applications:** Gear reducers, pumps, fans, blowers, conveyors, and other machinery found in food processing, dairies, slaughter houses, beverage plants, car washes, and other high humidity or wet environments or where motor is subject to high pressure washdowns.



- Features:**
- Double sealed ball bearings
  - 303 Stainless steel shaft with spring loaded contact seals in each endshield
  - Encapsulated electronic starting switch is impervious to moisture
  - Cast oversized conduit box with high temperature Nitrile gaskets and threaded entrance
  - Internal corrosion resistant coatings on frame, base, endshields, rotor and stator
  - Stainless steel conduit box cover, nameplate, fan guard (TEFC) and hardware
  - USDA-approved, white epoxy RUST-OLEUM® paint
  - Plugged drain holes in each endshield for all angle mounting
  - Capacitor start induction run design for high starting torque unless otherwise noted
  - Class F insulation
  - 1.15 Service Factor
  - UL Recognized and CSA Certified

## Rigid Base

HP	RPM	VOLTS	FRAME	CAT NO.	MODEL NO.	LIST PRICE	MULT SYMB	F.L. AMPS	APPROX. WGT. LBS.	"C" DIM.	FOOT NOTES
1/2	1800	115/208-230	56	N680★	56C17W5336	\$427	F3	8.8/4.4-4.4	30	10.81	
3/4	1800	115/208-230	56	N681★	56C17W5337	\$501	F3	10.8/5.4-5.4	25	11.31	
1	1800	115/208-230	56	N682★	56C17W5338	\$573	F3	12.8/6.4-6.4	34	11.81	
1 1/2	1800	115/208-230	145T	N683★	145TCWR5326	\$730	F3	19.0/9.5-9.5	50	13.75	d
2	1800	115/208-230	182T	N684★	182TCWR7026	\$1,061	F3	25.2/12.6-2.6	60	13.46	d

★ Stock Model

## C-Face

HP	RPM	VOLTS	FRAME	CAT NO.	MODEL NO.	LIST PRICE	MULT. SYMB.	F.L. AMPS	APPROX. WGT. LBS.	"C" DIM.	FOOT NOTES
1/3	1800	115/208-230	56C	N531★	56C17W5326	\$424	F3	6.4/3.2-3.2	26	10.69	
1/2	3600	115/208-230	56C	N532★	56C34W5302	\$424	F3	7.6/4.0-3.8	28	10.69	
	1800	115/208-230	56C	N523★	56C17W5327	\$435	F3	8.8/4.4-4.4	32	11.19	
3/4	3600	115/208-230	56C	N524★	56C34W5303	\$427	F3	10.0/5.2-5.0	34	11.69	
	1800	115/208-230	56C	N525★	56C17W5328	\$503	F3	10.8/5.4-5.4	34	11.69	
1	3600	115/208-230	56C	N526★	56C34W5304	\$429	F3	12.0/6.2-6.0	32	12.19	
	1800	115/208-230	56C	N527★	56C17W5329	\$570	F3	12.8/6.4-6.4	37	12.19	
1 1/2	3600	115/208-230	56C	N528	56C34W5305	\$633	F3	17.0/8.5-8.5	39	12.69	
	1800	115/208-230	56C	N529★	56C17W5330	\$730	F3	19.0/9.5-9.5	46	13.69	

★ Stock Model

## C-Face with Rigid Base

HP	RPM	VOLTS	FRAME	CAT NO.	MODEL NO.	LIST PRICE	MULT. SYMB.	F.L. AMPS	APPROX. WGT. LBS.	"C" DIM.	FOOT NOTES
1/3	1800	115/208-230	56C	N557★	56C17W5331	\$427	F3	6.4/3.2-3.2	31	10.69	
1/2	3600	115/208-230	56C	N558★	56C34W5307	\$427	F3	7.6/4.0-3.8	28	10.69	
	1800	115/208-230	56C	N559★	56C17W5332	\$441	F3	8.8/4.4-4.4	31	11.19	
3/4	3600	115/208-230	56C	N540★	56C34W5308	\$431	F3	10.0/5.2-5.0	34	11.69	
	1800	115/208-230	56C	N541★	56C17W5333	\$500	F3	10.8/5.4-5.4	33	11.69	
1	3600	115/208-230	56C	N542★	56C34W5309	\$433	F3	12.0/6.2-6.0	34	12.19	
	1800	115/208-230	56C	N543★	56C17W5334	\$575	F3	12.8/6.4-6.4	36	12.19	
	1800	115/208-230	56HC	N553★	56B17T5304	\$521	F3	12.8/6.4-6.4	36	13.43	d,N,1,5,6
1 1/2	3600	115/208-230	56C	N544★	56C34W5310	\$634	F3	17.0/8.5-8.5	39	12.69	
	1800	115/208-230	56HC	N545★	56C17W5335	\$734	F3	19.0/9.5-9.5	45	13.69	5

★ Stock Model

**Footnotes:**

d To be discontinued after current stock is gone

N Totally Enclosed, Non-Ventilated

1 Capacitor Start/Capacitor Run design for reduced amperage

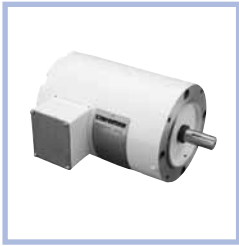
5 56H, 143T, and 145T combination base with 12 mounting holes

6 Bolt-on, removable base for footless mounting option.



# PowerWash™ XT Washdown Duty, Three Phase

White Epoxy, Totally Enclosed



**Applications:** Gear reducers, pumps, fans, blowers, conveyors, and other machinery found in food processing, dairies, slaughter houses, beverage plants, car washes, and other high humidity or wet environments or where motor is subject to high pressure washdowns.

- Features:**
- 10:1 Variable torque, Constant torque speed range as listed below
  - MAX GUARD® Class F insulation system
  - 1.15 Service Factor on sinewave, 1.0 Service Factor on IGBT power
  - Double sealed ball bearings
  - 303 Stainless steel shaft with spring loaded contact seals in each endshield (Drive end only on TENV motors)
  - Stainless steel conduit box cover, nameplate, fan guard (TEFC only) and hardware
  - Cast oversized conduit box with high temperature nitrile gaskets and threaded entrance
  - Plugged drain holes in each endshield for all angle mounting
  - Internal corrosion resistant coatings on frame, base, endshields, rotor and stator
  - USDA-approved, white epoxy RUST-OLEUM® paint
  - UL Recognized, CSA Certified and CE Marked



**IP55**



WASHDOWN DUTY

## Rigid Base

HP	RPM	VOLTS	FRAME	CAT. NO.	MODEL NO.	CT SPEED RANGE*	LIST PRICE	MULT. SYMB.	NOM. EFF.	F.L. AMPS	APPROX. WGT. LBS.	"C" DIM.	FOOT NOTES
<b>1/2</b>	1800	208-230/460	56	N322*	56T17W5344	10:1	\$430	F3	74.0	2.0-2.0/1.0	30	10..81	V
<b>3/4</b>	1800	208-230/460	56	N320*	56T17W5340	10:1	\$458	F3	77.0	2.8-2.8/1.4	30	10.81	V
<b>1</b>	1800	208-230/460	56	N309*	56T17V5346	1000:1	\$481	F3	80.0	3.2-3.2/1.6	35	11.18	N
	1800	208-230/460	143T	<b>N310*</b>	143TTVR5329	1000:1	\$525	F3	82.5	3.2-3.2/1.6	35	11.62	N
<b>1 1/2</b>	1800	208-230/460	145T	<b>N321*</b>	145TTWR5327	10:1	\$527	F3	84.0	4.2-4.2/2.1	59	13.12	V
<b>2</b>	1800	208-230/460	145T	<b>N312*</b>	145TTWR4027	10:1	\$655	F3	84.0	6.5-6.2/3.1	49	13.25	V
<b>3</b>	1800	208-230/460	56HZ	N313*	56T17W5328	10:1	\$661	F3	82.5	8.6-8.6/4.3	52	14.25	V,Z,5,17
	1800	208-230/460	182T	<b>N314*</b>	182TTWR4027	10:1	\$866	F3	87.5	8.2-8.2/4.1	75	13.97	V
<b>5</b>	3600	208-230/460	184T	<b>N315*</b>	184TTWR4004	10:1	\$990	F3	87.5	13.0-13.0/6.5	81	14.46	V
	1800	208-230/460	184T	<b>N316*</b>	184TTWR4027	10:1	\$990	F3	87.5	13.0-13.0/6.5	79	14.97	V
<b>7 1/2</b>	3600	208-230/460	184T	<b>N317*</b>	184TTWR4003	10:1	\$1,236	F3	88.5	17.6-16.8/8.4	87	15.96	V
	1800	208-230/460	213T	<b>N318*</b>	213TTWR4027	10:1	\$1,236	F3	89.5	20.4-20.4/10.2	149	17.71	V
<b>10</b>	1800	208-230/460	215T	<b>N319*</b>	215TTWR4027	10:1	\$1,479	F3	89.5	26.0-26.0/13.0	165	18.71	V

\* Stock Model

\* Requires nameplate modification

Catalog numbers (Cat No.) highlighted in bold blue have efficiency levels that meet or exceed U.S. EPAct and/or NRCan Canadian standards.

## C-Face

HP	RPM	VOLTS	FRAME	CAT. NO.	MODEL NO.	CT SPEED RANGE*	LIST PRICE	MULT. SYMB.	NOM. EFF.	F.L. AMPS	APPROX. WGT. LBS.	"C" DIM.	FOOT NOTES
<b>1/4</b>	1800	208-230/460	56C	N640*	56T17V5326	1000:1	\$408	F3	68.0	1.1-1.1/55	50	9.56	N
<b>1/3</b>	1800	208-230/460	56C	N641*	56T17V5327	1000:1	\$433	F3	72.0	1.3-1.3/65	22	9.56	N
<b>1/2</b>	1800	208-230/460	56C	N642*	56T17V5328	1000:1	\$447	F3	78.5	1.8-1.8/9	26	10.06	N
<b>3/4</b>	3600	208-230/460	56C	N643*	56T34V5301	1000:1	\$451	F3	75.5	2.6-2.4/1.2	50	10.06	N
	1800	208-230/460	56C	N644*	56T17V5329	1000:1	\$517	F3	80.0	2.5-2.5/1.25	28	10.56	N
<b>1</b>	3600	208-230/460	56C	N645*	56T34V5302	1000:1	\$527	F3	78.5	2.8-2.6/1.3	60	11.56	N
	1800	208-230/460	56C	N646*	56T17V5330	1000:1	\$403	F3	80.0	3.2-3.2/1.6	50	11.56	N
	1800	208-230/460	143TC	N647*	143TTVR5326	1000:1	\$403	F3	80.0	3.2-3.2/1.6	38	11.75	N
<b>1 1/2</b>	3600	208-230/460	56C	N648	56T34V5303	1000:1	\$416	F3	80.0	4.2-3.8/1.9	43	12.56	N
	1800	208-230/460	56C	N649*	56T17V5331	1000:1	\$420	F3	84.0	4.2-4.2/2.1	35	13.06	N
	1800	208-230/460	143TC	N650*	143TTVR5327	1000:1	\$420	F3	84.0	4.2-4.2/2.1	50	13.25	N
<b>2</b>	3600	208-230/460	56C	N651*	56T34V5304	1000:1	\$478	F3	82.5	5.6-5.0/2.5	34	13.06	N
	3600	208-230/460	145TC	N652*	145TTVR5301	1000:1	\$478	F3	82.5	5.6-5.0/2.5	42	13.25	d,N
	1800	208-230/460	56C	N653*	56T17W5326	10:1	\$518	F3	81.5	6.2-6.2/3.1	39	12.69	V
	1800	208-230/460	145TC	N654*	145TTWR5326	10:1	\$518	F3	81.5	6.2-6.2/3.1	42	12.75	V
<b>3</b>	3600	208-230/460	145TC	N655*	145TTWR5301	10:1	\$583	F3	80.0	8.4-7.6/3.8	36	13.25	V
	1800	208-230/460	182TC	N656*	182TTWR7026	10:1	\$647	F3	82.5	9.0-9.0/4.5	64	14.47	V
<b>5</b>	3600	208-230/460	184TC	N657*	184TTWR7001	10:1	\$814	F3	85.5	13.6-12.4/6.2	90	14.47	V
	1800	208-230/460	184TC	N658*	184TTWR7026	10:1	\$739	F3	82.5	14.0-13.2/6.6	76	14.47	V
<b>7 1/2</b>	3600	208-230/460	213TC	N659	213TTWR7001	10:1	\$1,009	F3	86.5	19.6-18.4/9.2	85	15.47	V
	1800	208-230/460	213TC	N660*	213TTWR7026	10:1	\$924	F3	89.5	24.0-22.0/11.0	175	17.71	V
<b>10</b>	1800	208-230/460	215TC	N661*	215TTWR7026	10:1	\$1,105	F3	89.5	29.0-28.0/14.0	150	18.71	V

Footnotes:

\* Stock Model

\* Requires nameplate modification

d To be discontinued after current stock is gone

N Totally Enclosed, Non-Ventilated

V Suitable for 10:1 CT 60 minute duty, otherwise 2:1 CT

Z 56HZ with 7/8" shaft dia., 3-1/2" shaft height, and slotted 56 frame base

5 56H, 143T, and 145T combination base with 12 mounting holes

17 1.0 Service Factor

SB300 - Prices and Specifications are subject to change without notice.

# PowerWash™ XT Washdown Duty, Three Phase

White Epoxy, Totally Enclosed

C-Face with Rigid Base

Same features as shown on page 74

HP	RPM	VOLTS	FRAME	CAT. NO.	MODEL NO.	CT SPEED RANGE*	LIST PRICE	MULT. SYMB.	NOM. EFF.	F.L. AMPS	APPROX. WGT. LBS.	"C" DIM.	FOOT NOTES
<b>1/4</b>	1800	208-230/460	56C	N564 ★	56T17V5332	1000:1	\$410	F3	68.0	1.1-1.1/55	20	10.08	N
	1800	575	56C	N620 ★	56T17W5333	10:1	\$410	F3	68.0	0.44	20	10.69	d,V
<b>1/3</b>	1800	208-230/460	56C	N565	56T17V5334	1000:1	\$434	F3	72.0	1.3/65	23	10.08	N
	1800	208-230/460	56C	N628 ★	56T17W5334	10:1	\$450	F3	68.0	1.7-1.7/85	23	10.69	d
	1800	575	56C	N621	56T17W5335	10:1	\$450	F3	68.0	0.68	23	10.69	V
<b>1/2</b>	3600	208-230/460	56C	N566 ★	56T34V5305	1000:1	\$409	F3	76.0	1.7-1.6/8	30	10.58	N
	1800	208-230/460	56C	N567 ★	56T17V5336	1000:1	\$458	F3	78.5	1.8-1.8/9	26	10.06	N
	1800	575	56C	N622 ★	56T17V5337	1000:1	\$458	F3	78.5	0.80	25	10.08	N
	1200	208-230/460	56C	N568 ★	56T11V5376	1000:1	\$572	F3	77.0	2.3-2.3/1.15	23	11.56	N
<b>3/4</b>	3600	208-230/460	56C	N569 ★	56T34V5306	1000:1	\$449	F3	75.5	2.6-2.4/1.2	24	10.08	N
	1800	208-230/460	56C	N599 ★	56T17V5338	1000:1	\$530	F3	80.0	2.5-2.5/1.25	33	10.56	N
	1800	575	56C	N623	56T17W5339	10:1	\$530	F3	77.0	1.12	27	11.19V	
	1200	208-230/460	56C	N600	56T11V5377	1000:1	\$622	F3	78.5	3.0-3.0/1.5	25	13.06	N,5
<b>1</b>	3600	208-230/460	56C	N601 ★	56T34V5307	1000:1	\$525	F3	78.5	2.8-2.6/1.3	35	11.56	N
	1800	208-230/460	56C	N602 ★	56T17V5340	1000:1	\$553	F3	80.0	3.2-3.2/1.6	36	11.58	N
	1800	575	56C	N627 ★	56T17W5341	10:1	\$553	F3	77.0	1.5	30	11.69	d,V
	1800	208-230/460	143TC	N626 ★	143TTWR4028	10:1	\$553	F3	82.5	3.2-3.1/1.55	38	13.25	V
	1200	208-230/460	56HC	N604 ★	56T11W5377	10:1	\$667	F3	78.5	4.0-4.0/2.0	26	13.06	5,V
<b>1 1/2</b>	3600	208-230/460	56C	N605 ★	56T34V5308	1000:1	\$580	F3	80.0	4.2-3.8/1.9	44	12.56	N
	1800	208-230/460	56C	N606 ★	56T17V5342	1000:1	\$577	F3	84.0	4.2-4.2/2.1	34	13.06	N
	1800	208-230/460	145TC	N607 ★	145TTVR5326	1000:1	\$577	F3	84.0	4.2-4.2/2.1	48	13.12	N
	1200	208-230/460	56HC	N608 ★	56T11W5378	10:1	\$704	F3	77.0	5.7-5.7/2.85	31	14.18	5,V
<b>2</b>	3600	208-230/460	56HC	N609 ★	56T34V5309	1000:1	\$644	F3	82.5	5.6-5.0/2.5	48	13.06	N,V,5,17
	3600	208-230/460	145TC	N610 ★	145TTVR5302	10:1	\$714	F3	84.0	5.6-5.0/2.5	47	13.12	N
	1800	208-230/460	56C	N611 ★	56T17W5327	10:1	\$662	F3	81.5	6.2-6.2/3.1	39	12.69	V
	1800	208-230/460	145TC	N612 ★	145TTWR4026	10:1	\$714	F3	84.0	6.0-5.6/2.8	50	13.75	V
<b>3</b>	3600	208-230/460	145TC	N613 ★	145TTWR4001	10:1	\$842	F3	85.5	8.4-7.6/3.8	45	13.75	V
	1800	208-230/460	182TC	N614 ★	182TTWR4026	10:1	\$939	F3	87.5	8.2-8.2/4.1	77	14.47	V
<b>5</b>	3600	208-230/460	184TC	N615 ★	184TTWR4001	10:1	\$1,175	F3	87.5	12.8-12.0/6.0	84	14.47	V
	1800	208-230/460	184TC	N616 ★	184TTWR4026	10:1	\$1,061	F3	87.5	13.8-13.0/6.5	90	14.97	V
<b>7 1/2</b>	3600	208-230/460	213TC	N617	213TTWR4002	10:1	\$1,459	F3	88.5	17.6-16.8/8.4	120	17.47	V
	1800	208-230/460	213TC	N618 ★	213TTWR4026	10:1	\$1,345	F3	89.5	24.0-22.0/11.0	145	17.71	V
<b>10</b>	1800	208-230/460	215TC	N619 ★	215TTWR4026	10:1	\$1,529	F3	89.5	29.0-28.0/14.0	145	18.71	V

★ Stock Model

\* Requires nameplate modification

WASHDOWN DUTY

**Footnotes:**

- d To be discontinued after current stock is gone
- N Totally Enclosed, Non-Ventilated
- V Suitable for 10:1 CT 60 minute duty, otherwise 2:1 CT

- 5 56H, 143T, and 145T combination base with 12 mounting holes
- 17 1.0 Service Factor

# PowerWash™ SXT Washdown Duty, Three Phase

All Stainless Steel, Totally Enclosed



**Applications:** For use in pharmaceutical and food processing industries where maximum sanitation requirements are specified. Suitable for use in severe chemical processing industries where nitric acid and caustic lye may be present.

- Features:**
- Suitable for use on VFD 10:1 Variable torque, 10:1 (TEFC) or 1000:1 (TENV) Constant Torque
  - MAX GUARD® Class F insulation system
  - Double sealed ball bearings
  - 1.15 Service Factor on sinewave, 1.0 Service Factor on IGBT power
  - 303 stainless steel shaft with springloaded contact seals in each end. (Drive end only on TENV)
  - 300 Series Stainless steel external construction: frame, endshields, conduit box, box cover, base and hardware for superior corrosion resistance
  - Internal corrosion resistant coatings on frame, base, endshields, rotor and stator
  - 100% Paint-free construction
  - One way condensation drains in each endshield and conduit box for all angle mounting
  - Nitrile Buna - N gaskets and seals on conduit box, through bolts and endshields
  - Rated 60/50 hertz, 190/380 volt at next lower horsepower
  - Nameplate information laser etched on frame
  - UL Recognized and CSA Certified, CE Marked



WASHDOWN DUTY

## C-Face

HP	RPM	VOLTS	FRAME	CAT. NO.	MODEL NO.	LIST PRICE	MULT. SYMB.	NOM. EFF.	F.L. AMPS	"C" DIM.	APPROX. WGT. LBS.	FOOT NOTES
<b>1/3</b>	1800	208-230/460	56C	N430 ★	56T17VD5329	<b>\$479</b>	F3	78.5	1.2-1.3/65	30	9.40	DS,N
<b>1/2</b>	1800	208-230/460	56C	N431 ★	56T17VD5330	<b>\$491</b>	F3	81.5	1.5-1.6/1.8	32	9.40	DS,N
<b>3/4</b>	1800	208-230/460	56C	N432 ★	56T17VD5331	<b>\$571</b>	F3	82.5	2.4-2.3/1.15	30	9.40	DS,N
<b>1</b>	1800	208-230/460	56C	N433 ★	56T17WD5330	<b>\$595</b>	F3	82.5	3.2-3/1.5	39	13.40	DS
	1800	208-230/460	143TC	N434 ★	143TTWD5527	<b>\$613</b>	F3	82.5	3.2-3/1.5	40	13.87	DS
<b>1 1/2</b>	1800	208-230/460	56C	N435 ★	56T17WD5331	<b>\$621</b>	F3	84.0	5.8-5.4/4.4	42	13.40	DS
	<b>2</b>	1800	208-230/460	56C	N437 ★	56T17WD5332	<b>\$709</b>	F3	84.0	6.2-5.8/2.9	49	13.40
		1800	208-230/460	145TC	<b>N438</b> ★	145TTWD5528	<b>\$729</b>	F3	84.0	6.2-5.8/2.9	50	13.87

★ Stock Model

Catalog numbers (Cat No.) highlighted in bold blue have efficiency levels that meet or exceed U.S. EPCa and/or NRCa Canadian standards.

## C-Face with Rigid Base

HP	RPM	VOLTS	FRAME	CAT. NO.	MODEL NO.	LIST PRICE	MULT. SYMB.	NOM. EFF.	F.L. AMPS	"C" DIM.	APPROX. WGT. LBS.	FOOT NOTES
<b>1/3</b>	3600	208-230/460	56C	N450 ★	56T34VD5301	<b>\$431</b>	F3	74.0	1.1-1.0/0.5	20	9.40	DS,N,d
	1800	208-230/460	56C	N410 ★	56T17VD5326	<b>\$482</b>	F3	78.5	1.2-1.3/65	30	9.40	DS,N
<b>1/2</b>	3600	208-230/460	56C	N451 ★	56T34VD5302	<b>\$441</b>	F3	77.0	1.6-1.5/75	28	9.40	DS,N
	1800	208-230/460	56C	N411 ★	56T17VD5328	<b>\$496</b>	F3	81.5	1.5-1.6/1.8	34	9.40	DS,N
<b>3/4</b>	3600	208-230/460	56C	N452 ★	56T34VD5303	<b>\$484</b>	F3	78.5	2.2-2.0/1.0	29	9.40	DS,N
	1800	208-230/460	56C	N412 ★	56T17VD5327	<b>\$573</b>	F3	82.5	2.4-2.3/1.15	40	12.06	DS,N
<b>1</b>	3600	208-230/460	56C	N453 ★	56T34WD5301	<b>\$569</b>	F3	80.0	2.9-2.6/1.3	39	13.40	DS,5
	3600	208-230/460	143TC	<b>N454</b> ★	143TTWD4001	<b>\$611</b>	F3	80.0	2.9-2.6/1.3	39	13.87	DS
	1800	208-230/460	56C	N413 ★	56T17WD5326	<b>\$597</b>	F3	82.5	3.2-3.0/1.5	40	12.13	DS,5
	1800	208-230/460	143TC	<b>N414</b> ★	143TTWD4026	<b>\$642</b>	F3	82.5	3.2-3.0/1.5	41	13.69	DS
<b>1 1/2</b>	3600	208-230/460	56C	N455 ★	56T34WD5302	<b>\$627</b>	F3	82.5	4.2-3.8/1.9	45	13.40	DS,5
	3600	208-230/460	143TC	<b>N456</b> ★	143TTWD4002	<b>\$675</b>	F3	82.5	4.2-3.8/1.9	45	13.87	DS
	1800	208-230/460	56C	N415 ★	56T17WD5329	<b>\$623</b>	F3	84.0	5.0-4.8/2.4	40	14.25	DS,5
<b>2</b>	3600	208-230/460	56C	N457 ★	56T34WD5303	<b>\$695</b>	F3	84.0	5.6-5.0/2.5	47	13.40	DS,5
	3600	208-230/460	145TC	<b>N458</b> ★	145TTWD4001	<b>\$809</b>	F3	84.0	5.6-5.0/2.5	47	13.87	DS
	1800	208-230/460	56C	N417 ★	56T17WD5328	<b>\$711</b>	F3	84.0	6.2-5.8/2.9	46	14.25	DS,5
	1800	208-230/460	145TC	<b>N418</b> ★	145TTWD4029	<b>\$793</b>	F3	84.0	6.2-5.8/2.9	49	13.69	DS

★ Stock Model

Catalog numbers (Cat No.) highlighted in bold blue have efficiency levels that meet or exceed U.S. EPCa and/or NRCa Canadian standards.

### Footnotes:

d To be discontinued after current stock is gone  
 DS Sourced

N Totally Enclosed, Non-Ventilated  
 5 56H, 143T, and 145T combination base with 12 mounting holes

# PowerWash™ SXT-Plus Washdown Duty, Three Phase

All Stainless Steel, Totally Enclosed, C-Face with Rigid Base

**Applications:** For use in pharmaceutical and food processing industries where maximum sanitation requirements are specified. Suitable for use in severe chemical processing industries where nitric acid and caustic lye may be present.

- Features:**
- Suitable for use on VFD, 10:1 Variable torque, 10:1 (TEFC) or 1000:1 (TENV) Constant Torque, 1.0 Service Factor
  - MAX GUARD® Class F insulation system
  - 300 Series Stainless steel external construction: frame, endshields, shaft, conduit box, box cover, base and hardware for superior corrosion resistance
  - Double sealed ball bearings with moisture resistant, high temperature grease
  - 1.15 Service Factor on sinewave, 1.0 Service Factor on IGBT power
  - Fully coated interior to guard against moisture and corrosion
  - 100% Paint-free construction
  - Viton® o-rings, shaft seals, and gaskets for superior sealing against chemicals
  - Hydrophobic breather in OP endshield and conduit box equalize air pressure
  - Nameplate information laser etched on frame
  - BISSC Certified for baking industry
  - UL Recognized and CSA Certified, CE Marked



WASHDOWN DUTY

HP	RPM	VOLTS	FRAME	CAT. NO.	MODEL NO.	LIST PRICE	MULT. SYMB.	NOM. EFF.	F.L. AMPS	APPROX. WGT. LBS.	"C" DIM.	FOOT NOTES
<b>1/2</b>	1800	208-230/460	56HC	N400★	56T17V5347	<b>\$904</b>	F3	78.0	1.6-1.6/8	34	12.54	N,5
<b>3/4</b>	1800	208-230/460	56HC	N401★	56T17V5348	<b>\$938</b>	F3	83.6	2.4-2.3/1.15	40	11.71	N,5
<b>1</b>	1800	208-230/460	56HC	N402★	56T17V5349	<b>\$960</b>	F3	82.0	2.4-2.3/1.15	48	13.54	N,5
	1800	208-230/460	143TC	N403★	143TTVD5326	<b>\$960</b>	F3	82.0	3.1-3.0/1.5	46	13.61	N,5
<b>1 1/2</b>	1800	208-230/460	145TC	<b>N404★</b>	145TTWD4026	<b>\$960</b>	F3	84.0	4.5-4.4/2.2	46	14.25	
<b>2</b>	1800	208-230/460	145TC	<b>N405★</b>	145TTWD4027	<b>\$1,193</b>	F3	84.0	6.0-6.0/3.0	47	14.25	
<b>3</b>	1800	208-230/460	182TC	<b>N406★</b>	182TTWD14031	<b>\$1,433</b>	F3	87.5	8.8-8.2/4.1	82	14.87	
<b>5</b>	1800	208-230/460	184TC	<b>N407★</b>	184TTWD14031	<b>\$1,634</b>	F3	87.5	13.8-13.0/6.5	93	15.37	
<b>7 1/2</b>	1800	208-230/460	213TC	<b>N408★</b>	213TTWD14031	<b>\$2,445</b>	F3	89.5	20.4-22.0/11.0	153	18.69	
<b>10</b>	1800	208-230/460	215TC	<b>N409★</b>	215TTWD14031	<b>\$2,518</b>	F3	89.5	29.0-28.0/14.0	170	18.69	

★ Stock Model

Catalog numbers (Cat No.) highlighted in bold blue have efficiency levels that meet or exceed U.S. EPCAct and/or NRCAN Canadian standards.

## PowerWash™ Coupler Brakes

PowerWash™ coupler brakes are specifically designed for use with PowerWash™ Washdown Duty motors. Rated for NEMA 4X/IP55, these brakes are suitable for applications with high moisture or pressure washdown. Painted with a special white epoxy food-safe paint, these brakes are **BISSC Certified**.

ENCLOSURE NEMA 4X/IP55	CAT. NO.	KIT NO.	LIST PRICE	MULT. SYMB.
<b>3 ft. lb.</b>	A909★	KIT 909	<b>\$674</b>	S4
<b>6 ft. lb.</b>	A910★	KIT 910	<b>\$729</b>	S4
<b>10 ft. lb.</b>	A911★	KIT 911	<b>\$801</b>	S4

★ Stock Model

**Footnotes:**

- N Totally Enclosed, Non-Ventilated
- 5 56H, 143T, and 145T combination base with 12 mounting holes

# Explosion Proof, Single Phase, Fan & Blower

## Class I Group D, Class II Groups F & G, Resilient Base

**Applications:** Commercial and industrial fans and blowers that require moderate to high starting torque and are installed in hazardous environments as defined by the motor's explosion proof class and group rating. Consult the National Electrical Code and your local regulations for the proper selection of motors in hazardous locations.

- Features:**
- 1.0 Service Factor
  - Automatic reset thermal protector
  - Meet UL frame temperature limit code T3B
  - Capacitor start design
  - Double sealed ball bearings
  - Extended thru bolts
  - UL Listed File No. E12044
  - CSA Certified File No. LR47504

HP	RPM	VOLTS	FRAME	CAT. NO.	MODEL NO.	LIST PRICE	MULT. SYMB.	F.L. AMPS	APPROX. WGT. LBS.	"C" DIM.	FOOT NOTES
<b>1/4</b>	1800	115	56	K032	56C17E5302	\$350	F1	4.8	26	11.88	N
	1200	115	56	K033 *	56C11G5303	\$481	F1	5.4	31	14.46	37
<b>1/3</b>	1800	115	56	K037	56C17G5308	\$457	F1	6.6	29	13.96	37

\* Stock Model

EXPLOSION PROOF

# Explosion Proof, Single Phase

## Class I Groups C & D, Class II Groups F & G, Rigid Base



**Applications:** For use on fans, blowers, pumps, compressors, machine tools, and other equipment installed in hazardous environments as defined by the motor's explosion proof class and group rating. Consult the National Electrical Code and your local regulations for the proper selection of motors in hazardous locations.

- Features:**
- 1.0 Service Factor
  - Automatic reset thermal protector
  - Meet UL frame temperature limit code T3B
  - Capacitor start design for high starting torque
  - Double sealed ball bearings
  - Extended thru bolts
  - UL Listed File No. E12044
  - CSA Certified File No. LR47504

HP	RPM	VOLTS	FRAME	CAT. NO.	MODEL NO.	LIST PRICE	MULT. SYMB.	F.L. AMPS	APPROX. WGT. LBS.	"C" DIM.	FOOT NOTES
<b>1/4</b>	1800	115/208-230	56	G639 *	56C17E5314	\$417	F1	4.8/2.3-2.4	25	11.97	N
	1200	115/208-230	56	G650 *	56C11G5306	\$558	F1	6.8/3.1-3.4	28	13.94	
<b>1/3</b>	1800	115/208-230	56	G651 *	56C17G5315	\$476	F1	6.6/3.1-3.3	26	13.44	
	1200	115/208-230	56	G652 *	56C11G5307	\$600	F1	7.8/3.6-3.9	31	13.94	
<b>1/2</b>	3600	115/208-230	56	G653	56C34G5308	\$428	F1	8.4/4.0-4.2	26	13.44	
	1800	115/208-230	56	G654 *	56C17G5316	\$520	F1	8.8/4.2-4.4	27	13.94	
	1200	115/208-230	56	G655 *	56B11G5301	\$691	F1	9.6/4.7-4.8	39	14.94	1
<b>3/4</b>	3600	115/208-230	56	G656	56C34G5309	\$483	F1	10.6/5.3-5.3	31	13.94	
	1800	115/208-230	56	G657 *	56C17G5317	\$584	F1	11.0/5.4-5.5	34	14.44	
<b>1</b>	3600	115/208-230	56	G658	56C34G5310	\$521	F1	12.4/6.7-6.2	40	14.44	
	1800	115/208-230	56	G659 *	56C17G5318	\$610	F1	13.4/6.8-6.7	35	14.44	

\* Stock Model

**Footnotes:**

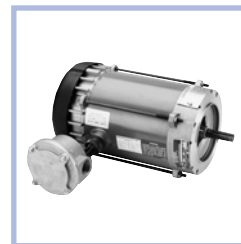
- N Totally Enclosed, Non-Ventilated
- 1 Capacitor Start/Capacitor Run design for reduced amperage
- 37 1-1/2" Thru bolts, shaft end



## Explosion Proof, Single Phase

### Class I Groups C & D, Class II Groups F & G, C-Face

**Applications:** For use on gear reducers, pumps, compressors, machine tools, and other direct-coupled equipment installed in hazardous environments as defined by the motor's explosion proof class and group rating. Refer to the General Information section on explosion proof classifications. Consult the National Electrical Code and your local regulations for the proper selection of motors in hazardous locations.



- Features:**
- 1.0 Service Factor
  - Double sealed ball bearings
  - Automatic reset thermal protector
  - Explosion proof conduit box included, shipped loose
  - Meet UL frame temperature limit code T3B
  - UL Listed File No. E12044
  - Capacitor start design for high starting torque
  - CSA Certified File No. LR47504

HP	RPM	VOLTS	FRAME	CAT. NO.	MODEL NO.	LIST PRICE	MULT. SYMB.	F.L. AMPS	APPROX. WGT. LBS.	"C" DIM.	FOOT NOTES
<b>1/4</b>	1800	115/208-230	56C	G852 ★	56C17E5319	\$433	F1	4.8/2.3-2.4	25	11.97	
<b>1/3</b>	1800	115/208-230	56C	G853 ★	56C17G5320	\$488	F1	6.6/3.1-3.3	27	13.44	
<b>1/2</b>	3600	115/208-230	56C	G854	56C34G5311	\$440	F1	8.4/4.0-4.2	26	13.44	
	1800	115/208-230	56C	G855 ★	56C17G5321	\$531	F1	8.8/4.2-4.4	27	13.94	
<b>3/4</b>	3600	115/208-230	56C	G856	-----	\$495	F1	10.6/5.3-5.3	44	14.44	
	1800	115/208-230	56C	G857 ★	56C17G5322	\$595	F1	11.0/5.4-5.5	33	14.44	
<b>1</b>	3600	115/208-230	56C	G858	56C34G5316	\$533	F1	12.4/6.2-6.7	48	14.44	
	1800	115/208-230	56C	G870 ★	56C17G5323	\$621	F1	13.4/6.8-6.7	34	14.44	

★ Stock Model

EXPLOSION PROOF

## Explosion Proof, Single Phase

### Class I Groups C & D, Class II Groups F & G, C-Face with Rigid Base

**Applications:** For use on gear reducers, pumps, compressors, machine tools, and other direct-coupled equipment installed in hazardous environments as defined by the motor's explosion proof class and group rating. Consult the National Electrical Code and your local regulations for the proper selection of motors in hazardous locations.



- Features:**
- 1.0 Service Factor
  - Double sealed ball bearings
  - Automatic reset thermal protector
  - Explosion proof conduit box included, shipped loose
  - Meet UL frame temperature limit code T3B
  - UL Listed File No. E12044
  - Capacitor start design for high starting torque
  - CSA Certified File No. LR47504

HP	RPM	VOLTS	FRAME	CAT. NO.	MODEL NO.	LIST PRICE	MULT. SYMB.	F.L. AMPS	APPROX. WGT. LBS.	"C" DIM.	FOOT NOTES
<b>1/3</b>	1800	115/208-230	56C	G871	56C17G5324	\$469	F1	6.6/3.1-3.3	37	13.44	
<b>1/2</b>	1800	115/208-230	56C	G872	56C17G5328	\$536	F1	8.8/4.2-4.4	29	13.94	
<b>3/4</b>	3600	115/208-230	56C	G873	56C34G5314	\$499	F1	10.6/5.3-5.3	31	13.94	
	1800	115/208-230	56C	G874	56C17G5326	\$600	F1	11.0/5.4-5.5	42	14.44	
<b>1</b>	3600	115/208-230	56C	G875	-----	\$539	F1	12.4/6.0-6.2	48	14.44	
	1800	115/208-230	56C	G876	56C17G5327	\$636	F1	13.4/6.8-6.7	35	14.44	

# Explosion Proof, Three Phase Blue Chip® Severe Duty

Class I Group D (Group C as noted), Class II Groups F & G, Rigid Base



**Applications:** For use on fans, blowers, pumps, compressors, machine tools, and other equipment installed in hazardous environments as defined by the motor's explosion proof class and group rating. Consult the National Electrical Code and your local regulations for the proper selection of motors in hazardous locations.

- Features:**
- 1.15 Service Factor on sinewave
  - 10:1 Variable torque, constant torque speed range as indicated @1.0 SF
  - Class F insulation
  - CR<sup>200</sup> Corona Resistant, 200°C rated magnet wire
  - Ball Bearings, except where noted
  - All cast iron construction
  - Normally closed thermostats (must be connected to control circuit)
  - Meets UL Frame temperature limit code T3B or sinewave power
  - All cast iron construction
  - Shaft slinger
  - External surface treated with epoxy
  - Nameplated 60/50 hertz, 190/380 volts, at next lower horsepower (575 volt excluded)
  - See Modification section for addition of C-Face Kits (254T-445T)
  - Meets IEEE45 USCG Marine Duty, IP 54 construction
  - Contact Marathon Electric for F2 mounting
  - UL Listed File No. E12044
  - CSA Certified File No. LR21839 and LR47504
  - Two year warranty



**IP54**



EXPLOSION PROOF

HP	RPM	VOLTS	FRAME	GROUP C	CAT. NO.	MODEL NO.	CT SPEED RANGE	LIST PRICE	MULT. SYMB.	NOM. EFF.	F.L. AMPS	APPROX. WGT. LBS.	"C" DIM.	FOOT NOTES	
<b>3/4</b>	1200	208-230/460	143T	N	H350★	143TTGN7076	10:1	\$674	E7	74.0	3.1-3.2/1.6	53	12.48	25,80,91	
<b>1</b>	1800	208-230/460	143T	N	<b>U001★</b>	143TTGN4026	10:1	\$643	E7	82.5	3.0-3.0/1.5	55	13.48	25,80,91	
	1800	575	143T	N	<b>U020★</b>	143TTGN4030	10:1	\$643	E7	82.5	1.2	55	13.48	25,80	
	1800	208-230/460	143T	Y	<b>U986</b>	143TTGN4032	10:1	\$775	E7	82.5	3.0-3.0/1.5	55	13.48	25,80,91	
	1200	208-230/460	145T	N	<b>U039★</b>	145TTGN4076	10:1	\$775	E7	80.0	3.6-3.4/1.7	59	14.73	25,80,91	
<b>1 1/2</b>	3600	208-230/460	143T	N	<b>U058★</b>	143TTGN4001	10:1	\$689	E7	82.5	4.4-4.0/2.0	64	13.48	25,80,91	
	1800	208-230/460	145T	N	<b>U002★</b>	145TTGN4026	10:1	\$686	E7	84.0	4.6-4.4/2.2	75	14.73	25,80,91	
	1800	575	145T	N	<b>U021★</b>	145TTGN4035	10:1	\$686	E7	84.0	1.8	75	14.73	25,80	
	1800	208-230/460	145T	Y	<b>U987</b>	145TTGN4051	10:1	\$825	E7	84.0	4.6-4.4/2.2	75	14.73	25,80,91	
	1200	208-230/460	182T	N	<b>U040★</b>	182TTGS4076	10:1	\$808	E7	85.5	5.0-5.0/2.5	82	17.44	25,91	
<b>2</b>	3600	208-230/460	145T	N	<b>U059★</b>	145TTGN4001	10:1	\$808	E7	84.0	5.6-5.2/2.6	63	13.48	25,80,91	
	1800	208-230/460	145T	N	<b>U003★</b>	145TTGN4027	10:1	\$726	E7	85.5	6.2-6.0/3.0	77	14.73	25,80,91	
	1800	575	145T	N	<b>U022★</b>	145TTGN4040	10:1	\$726	E7	85.5	2.4	77	14.73	25,80	
	1800	208-230/460	145T	Y	<b>U988</b>	145TTGN4050	10:1	\$874	E7	84.0	6.0-5.6/2.8	75	14.73	25,80,91	
<b>3</b>	1200	208-230/460	184T	N	<b>U041★</b>	184TTGS4076	10:1	\$914	E7	86.5	6.4-6.0/3.0	130	17.44	25,91	
	3600	208-230/460	182T	N	<b>U060★</b>	182TTGS4001	10:1	\$836	E7	85.5	8.4-7.4/3.7	90	16.19	25,91	
	1800	208-230/460	182T	N	<b>U004★</b>	182TTGS4026	10:1	\$828	E7	87.5	9.0-8.4/4.2	98	16.19	25,91	
	1800	575	182T	N	<b>U023★</b>	182TTGS4030	10:1	\$828	E7	87.5	3.4	98	16.19	25	
<b>3</b>	1800	208-230/460	182T	Y	<b>U989</b>	182TTGS4041	10:1	\$996	E7	87.5	9.0-8.4/4.2	98	17.44	25,91	
	1200	230/460	213T	N	<b>U042★</b>	213TTGS4076	10:1	\$1,171	E7	87.5	9.0/4.5	180	19.66	25	
	<b>5</b>	3600	208-230/460	184T	N	<b>U061★</b>	184TTGS4001	10:1	\$1,016	E7	87.5	13.0-12.4/6.2	146	17.44	25,91
		1800	208-230/460	184T	N	<b>U005★</b>	184TTGS4026	10:1	\$908	E7	86.5	14.0-13.0/6.5	142	17.44	25,91
1800		575	184T	N	<b>U024★</b>	184TTGS4030	10:1	\$908	E7	86.5	5.2	142	17.44	25	
1800		208-230/460	184T	Y	<b>U990</b>	184TTGS4044	10:1	\$1,093	E7	86.5	14.0-13.0/6.5	142	17.44	25,91	
<b>7 1/2</b>	1200	230/460	215T	N	<b>U043★</b>	215TTGS4076	10:1	\$1,501	E7	87.5	14.0/7.0	200	20.91	25	
	3600	208-230/460	213T	N	<b>U062★</b>	213TTGS4001	10:1	\$1,295	E7	88.5	20.0-19.0/9.5	230	20.91	25,91	
	1800	208-230/460	213T	N	<b>U006★</b>	213TTGS4026	10:1	\$1,229	E7	89.5	22.0-20.0/10.0	200	19.66	25,91	
	1800	575	213T	N	<b>U025★</b>	213TTGS4030	10:1	\$1,229	E7	89.5	8.0	200	19.66	25	
<b>7 1/2</b>	1800	208-230/460	213T	Y	<b>U991</b>	213TTGS4040	10:1	\$1,479	E7	89.5	22.0-20.0/10.0	200	20.91	25,91	
	1200	230/460	254T	Y	<b>U044★</b>	254TTGN4076	10:1	\$1,958	E7	89.5	20.0/10.0	390	23.52		

Blue shaded areas are Cast Iron Frames

★ Stock Model

Catalog numbers (Cat No.) highlighted in bold blue have efficiency levels that meet or exceed U.S. EPA and/or NRC Canadian standards.

**Footnotes:**

- 25 Motor will not accept C-Face kits
- 80 Rolled steel fan guard on 143T-145T
- 91 Suitable for use on VFD at 208 volt

Continued on next page.

# Explosion Proof, Three Phase Blue Chip® Severe Duty

## Class I Group D (Group C as noted), Class II Groups F & G, Rigid Base

HP	RPM	VOLTS	FRAME	GROUP C	CAT. NO.	MODEL NO.	CT SPEED RANGE	LIST PRICE	MULT. SYMB.	NOM. EFF.	F.L. AMPS	APPROX. WGT. LBS.	"C" DIM.	FOOT NOTES
<b>10</b>	3600	230/460	215T	Y	<b>U063</b> *	215TTGS4001	10:1	\$1,470	E7	90.2	24.0/12.0	190	20.91	25
	1800	208-230/460	215T	N	<b>U007</b> *	215TTGS4026	2:1	\$1,433	E7	89.5	28.1-25.0/12.5	195	20.91	25,91
	1800	575	215T	N	<b>U026</b> *	215TTGS4030	2:1	\$1,433	E7	89.5	10.0	195	20.91	25
	1800	230/460	215T	Y	<b>U992</b>	215TTGS4039	2:1	\$1,725	E7	89.5	25.0/12.5	195	20.91	25
	1200	230/460	256T	Y	<b>U045</b> *	256TTGN4076	10:1	\$2,362	E7	89.5	26.0/13.0	400	25.27	
<b>15</b>	3600	230/460	254T	Y	<b>U064</b> *	254TTGP4001	10:1	\$1,914	E7	90.2	36.0/18.0	252	23.69	
	1800	208-230/460	254T	Y	<b>U008</b> *	254TTGN4026	10:1	\$1,836	E7	91.0	42.0-39.0/19.5	365	23.52	91
	1800	575	254T	Y	<b>U027</b> *	254TTGN4030	10:1	\$1,836	E7	91.0	15.6	365	23.52	
	1200	208-230/460	284T	Y	<b>U046</b> *	284TTGN4076	10:1	\$3,280	E7	90.2	43.0-40.0/20.0	525	26.34	
<b>20</b>	3600	208-230/460	256T	Y	<b>U065</b> *	256TTGN4001	10:1	\$2,412	E7	90.2	52.0-47.0/23.5	350	25.27	91
	1800	208-230/460	256T	Y	<b>U009</b> *	256TTGN4026	2:1	\$2,197	E7	91.0	53.5-50.0/25.0	400	25.27	91
	1800	575	256T	Y	<b>U028</b> *	256TTGN4030	2:1	\$2,197	E7	91.0	20.0	400	25.27	
	1200	208-230/460	286T	Y	<b>U047</b> *	286TTGN4076	10:1	\$3,825	E7	90.2	57.0-54.0/27.0	545	27.84	
<b>25</b>	3600	230/460	284TS	Y	<b>U066</b> *	284TSTGP4001	10:1	\$3,113	E7	91.0	60.0/30.0	400	24.89	
	1800	208-230/460	284T	Y	<b>U010</b> *	284TTGP4026	2:1	\$2,795	E7	92.4	67.0-62.0/31.0	450	26.26	91
	1800	208-230/460	284TS	Y	<b>U076</b>	284TSTGP4036	2:1	\$2,795	E7	92.4	67.0-62.0/31.0	450	24.89	91
	1800	575	284T	Y	<b>U029</b>	284TTGP4030	2:1	\$2,795	E7	92.4	24.8	450	26.26	
	1200	230/460	324T	Y	<b>U048</b> *	324TTGP4076	10:1	\$4,833	E7	91.7	67.0/33.5	700	28.97	
<b>30</b>	3600	230/460	286TS	Y	<b>U067</b> *	286TSTGP4001	2:1	\$3,355	E7	91.0	72.0/36.0	494	26.39	
	1800	208-230/460	286T	Y	<b>U011</b> *	286TTGP4026	2:1	\$3,241	E7	92.4	81.0-74.0/37.0	496	27.76	91
	1800	208-230/460	286TS	Y	<b>U077</b>	286TSTGP4036	2:1	\$3,241	E7	92.4	81.0-74.0/37.0	496	26.39	87,91
	1800	575	286T	Y	<b>U030</b>	286TTGP4030	2:1	\$3,241	E7	92.4	29.6	496	27.76	87
	1200	230/460	326T	Y	<b>U049</b> *	326TTGS4076	2:1	\$5,655	E7	91.7	76.0/38.0	700	30.47	
<b>40</b>	3600	230/460	324TS	Y	<b>U068</b> *	324TSTGP4001	2:1	\$4,517	E7	91.7	95.0/47.5	584	27.47	
	1800	230/460	324T	Y	<b>U012</b> *	324TTGP4026	2:1	\$4,315	E7	93.0	100/50.0	520	28.97	
	1800	230/460	324TS	Y	<b>U078</b>	324TSTGP4036	2:1	\$4,315	E7	93.0	100/50.0	520	27.47	17,87
	1800	575	324T	Y	<b>U031</b>	324TTGP4030	2:1	\$4,315	E7	93.0	40.0	520	28.97	17,87
	1200	230/460	364T	Y	<b>U050</b> *	364TTGS4086	2:1	\$7,357	E7	93.0	103/51.5	960	31.50	
<b>50</b>	3600	230/460	326TS	Y	<b>U069</b> *	326TSTGP4001	2:1	\$5,837	E7	92.4	115/57.5	500	28.97	
	1800	230/460	326T	Y	<b>U013</b> *	326TTGP4026	2:1	\$5,253	E7	93.0	122/61.0	675	30.47	17,87
	1800	230/460	326TS	Y	<b>U079</b>	326TSTGP4036	2:1	\$5,253	E7	93.0	122/61.0	675	28.97	17,87
	1800	575	326T	Y	<b>U032</b>	326TTGP4030	2:1	\$5,253	E7	93.0	49.0	675	30.47	17,87
	1200	230/460	365T	Y	<b>U092</b> *	365TTGS4091	2:1	\$8,342	E7	93.0	127/63.5	1122	32.50	
<b>60</b>	3600	230/460	364TS	Y	<b>U070</b> *	364TSTGS4001	2:1	\$8,342	E7	93.0	142/71.0	971	29.38	
	1800	230/460	364TS	Y	<b>U080</b>	364TSTGS4026	2:1	\$7,632	E7	93.6	144/72.0	1000	29.38	87,17
	1800	575	364T	Y	<b>U033</b>	364TTGS4040	2:1	\$7,632	E7	93.6	57.5	1000	31.50	87
	1800	230/460	364T	Y	<b>U093</b> *	364TTGS4046	2:1	\$7,632	E7	93.6	144/72.0	1000	31.50	
	1200	230/460	404T	Y	<b>U089</b> *	404TTGS4087	2:1	\$9,944	E7	93.6	149/74.5	1324	35.62	
<b>75</b>	3600	230/460	365TS	Y	<b>U071</b> *	365TSTGS4001	2:1	\$9,641	E7	93.0	171/85.5	950	30.38	
	1800	230/460	365TS	Y	<b>U081</b>	365TSTGS4026	2:1	\$9,390	E7	94.1	178/89.0	1094	30.38	87
	1800	575	365T	Y	<b>U034</b>	365TTGS4040	2:1	\$9,390	E7	94.1	71.0	1094	32.50	87
	1800	230/460	365T	Y	<b>U094</b> *	365TTGS4046	2:1	\$9,390	E7	94.1	178/89.0	1094	32.50	
	1200	230/460	405T	Y	<b>U088</b> *	405TTGS4087	2:1	\$11,565	E7	93.6	185/92.5	1398	37.12	

EXPLOSION PROOF

Blue shaded areas are Cast Iron Frames

★ Stock Model

Catalog numbers (Cat No.) highlighted in bold blue have efficiency levels that meet or exceed U.S. EPCa and/or NRCa Canadian standards.

**Footnotes:**

17 1.0 Service Factor  
25 Motor will not accept C-Face Kits

87 10:1 Constant torque available as build-up, refer to marketing for price and availability  
91 Suitable for use on VFD at 208 volt

Continued on next page.

# Explosion Proof, Three Phase Blue Chip® Severe Duty

Class I Group D (Group C as noted), Class II Groups F & G, Rigid Base

HP	RPM	VOLTS	FRAME	GROUP C	CAT. NO.	MODEL NO.	CT SPEED RANGE	LIST PRICE	MULT. SYMB.	NOM. EFF.	F.L. AMPS	APPROX. WGT. LBS.	"C" DIM.	FOOT NOTES
<b>100</b>	3600	230/460	405TS	Y	<b>U096</b>	405TSTGS4003	2:1	\$13,042	E7	94.1	224/112	1263	34.12	
	1800	230/460	405TS	Y	<b>U082</b>	405TSTGS4026	2:1	\$11,546	E7	94.5	228/114	1365	34.12	87
	1800	575	405T	Y	<b>U035</b>	405TTGS4040	2:1	\$11,546	E7	94.5	91.0	1365	37.12	87
	1800	230/460	405T	Y	<b>U097</b> *	405TTGS4046	2:1	\$11,546	E7	94.5	228/114	1365	37.12	
	1200	230/460	444T	Y	<b>U095</b> *	444TTGS4087	2:1	\$16,074	E7	94.1	238/119	1839	41.25	
<b>125</b>	3600	460	444TS	Y	<b>U073</b> *	444TSTGS4003	2:1	\$18,003	E7	94.5	137	1779	37.50	
	1800	460	444TS	Y	<b>U083</b>	444TSTGS4026	2:1	\$14,912	E7	94.5	142	1808	37.50	87
	1800	460	444T	Y	<b>U085</b> *	444TTGS4038	2:1	\$14,912	E7	94.5	142	1808	41.25	
	1800	575	444T	Y	<b>U036</b>	444TTGS4042	2:1	\$14,912	E7	94.5	113	1808	41.25	87
	1200	460	445T	Y	<b>U055</b>	445TTGS4086	2:1	\$19,021	E7	94.5	152	2225	43.19	87
<b>150</b>	3600	460	445TS	Y	<b>U074</b>	445TSTGN4001	2:1	\$21,073	E7	95.4	167	2188	39.44	87
	1800	460	445T	Y	<b>U018</b> *	445TTGN4037	10:1	\$17,628	E7	95.0	172	2250	43.19	
	1800	460	445TS	Y	<b>U084</b>	445TSTGN4027	10:1	\$17,628	E7	95.0	172	2250	39.44	
	1800	575	445T	Y	<b>U037</b>	445TTGN4030	10:1	\$18,417	E7	95.0	138	2250	43.19	
	1200	460	445T	Y	<b>U090</b>	445TTGN4087	2:1	\$20,698	E7	95.0	182	2384	43.19	RB,13,87
<b>200</b>	3600	460	445TS	Y	<b>U075</b>	445TSTGN4005	2:1	\$25,713	E7	95.0	222	2395	39.44	87
	1800	460	445T	Y	<b>U019</b> *	445TTGN4053	2:1	\$20,837	E7	95.0	225	2384	43.19	RB
	1800	575	445T	Y	<b>U038</b>	445TTGN4045	2:1	\$20,837	E7	95.0	180	2384	43.19	RB,87
	1200	460	447/9T	Y	<b>U091</b>	449TTGS4088	2:1	\$24,957	E7	95.0	243	2878	51.69	RB,87
<b>250</b>	3600	460	447/9TS	N	H513	449TSTGS7003	----	\$28,379	E7	95.0	280	2450	47.94	17,87
	1800	460	447/9T	Y	H502*	449TTGS7068	----	\$23,450	E7	95.0	290	2600	51.69	RB,17,87
<b>300</b>	1800	460	447/9T	Y	H503	449TTGS7037	----	\$26,115	E7	95.4	338	3032	51.69	RB,17,87
<b>350</b>	1800	460	447/9T	N	H504	449TTGS7036	----	\$29,288	E7	95.4	400	3280	51.69	17,87

Blue shaded areas are Cast Iron Frames

\* Stock Model

Catalog numbers (Cat No.) highlighted in bold blue have efficiency levels that meet or exceed U.S. EPA and/or NRC Canadian standards.

**Footnotes:**

RB Roller Bearing on shaft end for belted load only  
13 F1 Mounting Only, Cannot reassemble to F2

17 1.0 Service Factor  
87 10:1 Constant torque available as build-up, refer to marketing for price and availability

# Explosion Proof, Three Phase

## Class I Groups C & D, Class II Groups F & G, Rigid Base

**Applications:** For use on fans, blowers, pumps, compressors, machine tools, and other equipment installed in hazardous environments as defined by the motor's explosion proof class and group rating. Consult the National Electrical Code and your local regulations for the proper selection of motors in hazardous locations.



- Features:**
- 1.0 Service Factor
  - Automatic reset thermal protector (cannot be used on VFD)
  - Meet UL frame temperature limit code T3B
  - Explosion proof conduit box included, shipped loose
  - Ball Bearings
  - UL Listed File No. E12044
  - CSA Certified File No. LR47504

HP	RPM	VOLTS	FRAME	CAT. NO.	MODEL NO.	LIST PRICE	MULT. SYMB.	NOM. EFF.	F.L. AMPS	APPROX. WGT. LBS.	"C" DIM.	FOOT NOTES
<b>1/4</b>	1800	208-230/460	56	G646 *	56T17E5308	\$510	F1	71.0	1.1-1.1/55	25	11.97	N
	1800	575	56	G664	56T17E5314	\$510	F1	71.0	0.43	25	11.97	N
<b>1/3</b>	1800	208-230/460	56	G647 *	56T17E5309	\$543	F1	74.0	1.3-1.2/60	25	11.97	N
	1800	575	56	G665	56T17E5315	\$543	F1	74.0	0.50	25	11.97	N
<b>1/2</b>	3600	208-230/460	56	G648	56T34G5303	\$499	F1	66.5	2.1-2.4/1.2	30	13.44	
	1800	208-230/460	56	G649 *	56T17G5312	\$573	F1	68.0	2.3-2.4/1.2	30	13.94	
	1800	575	56	G666 *	56T17G5321	\$573	F1	68.0	1.0	30	13.94	
<b>3/4</b>	3600	208-230/460	56	G660	56T34G5304	\$547	F1	74.0	3.0-3.2/1.6	30	13.44	
	1800	208-230/460	56	G661 *	56T17G5313	\$605	F1	75.5	2.9-3.0/1.5	30	13.94	
	1800	575	56	G667 *	56T17G5322	\$605	F1	75.5	1.2	30	13.94	
<b>1</b>	3600	208-230/460	56	G662	56T34G5305	\$581	F1	74.0	3.9-3.6/1.8	31	13.44	
	1800	208-230/460	56	G663 *	56T17G5314	\$611	F1	77.0	3.5-3.6/1.8	31	13.94	
	1800	575	56	G668 *	56T17G5323	\$611	F1	77.0	1.45	31	13.94	

\* Stock Model

# Explosion Proof, Three Phase, Blue Chip® Severe Duty

## Class I Group D, Class II Groups F & G, C-Face Rigid Base

**Applications:** For use on fans, blowers, pumps, compressors, machine tools, and other equipment installed in hazardous environments as defined by the motor's explosion proof class and group rating. Consult the National Electrical Code and your local regulations for the proper selection of motors in hazardous locations.

- Features:**
- 10:1 Variable torque, see Inverter Duty column for constant torque
  - 1.15 Service Factor
  - Normally closed thermostats (must be connected to control circuit)
  - Meets UL frame temperature limit code T3B
  - All cast iron construction
  - External surface treated with epoxy paint
  - Nameplated 60/50 hertz, 190/380 Volts, at next lower horsepower where footnoted (575 Volt excluded)
  - Ball Bearings
  - UL Listed File No. E12044
  - CSA Certified File No. LR21839 and LR47504
  - Two year warranty

HP	RPM	VOLTS	FRAME	CAT. NO.	MODEL NO.	CT SPEED RANGE	LIST PRICE	MULT. SYMB.	NOM. EFF.	F.L. AMPS	APPROX. WGT. LBS.	"C" DIM.	FOOT NOTES
<b>1</b>	1800	208-230/460	143TC	<b>C361</b> *	143TTGN4051	10:1	\$709	E7	82.5	3.0-3.0/1.5	64	15.23	20,80
<b>1 1/2</b>	1800	208-230/460	145TC	<b>C362</b> *	145TTGN4032	10:1	\$750	E7	84.0	4.6-4.4/2.2	78	15.23	20,80
<b>2</b>	1800	208-230/460	145TC	<b>C363</b> *	145TTGN4049	10:1	\$789	E7	85.5	6.2-6.0/3.0	80	15.23	20,80
<b>3</b>	1800	208-230/460	182TC	<b>C364</b> *	182TTGS4069	10:1	\$917	E7	87.5	9.0-8.4/4.2	144	18.19	20
	1800	575	182TC	<b>C368</b>	182TTGS4036	10:1	\$917	E7	87.5	3.35	144	18.19	

Blue shaded areas are Cast Iron Frames

\* Stock Model

Catalog numbers (Cat No.) highlighted in bold blue have efficiency levels that meet or exceed U.S. EPAct and/or NRCan Canadian standards.

**Footnotes:**

- N Totally Enclosed, Non-Ventilated
- 20 Rated 60/50 hertz, 190/380 or 380 volt
- 80 Rolled steel fan guard on 143T-145T

Continued on next page.



# Explosion Proof, Three Phase, Blue Chip® Severe Duty

## Class I Group D, Class II Groups F & G, C-Face Rigid Base

HP	RPM	VOLTS	FRAME	OVER LOAD	CAT. NO.	MODEL NO.	CT SPEED RANGE	LIST PRICE	MULT. SYMB.	NOM. EFF.	F.L. AMPS	APPROX. WGT. LBS.	"C" DIM.	FOOT NOTES
<b>5</b>	1800	208-230/460	184TC	TSTAT	<b>C365</b> ★	184TTGS4075	10:1	\$999	E7	86.5	14.0-13.0/6.5	152	18.19	20
	1800	575	184TC	TSTAT	<b>C369</b>	184TTGS4037	10:1	\$999	E7	86.5	5.2	152	18.19	
<b>7 1/2</b>	1800	208-230/460	213TC	TSTAT	<b>C366</b> ★	213TTGS4028	10:1	\$1,358	E7	89.5	22.0-20.0/10.0	250	20.40	20
	1800	575	213TC	TSTAT	<b>C370</b>	213TTGS4036	10:1	\$1,358	E7	89.5	8.0	250	20.40	
<b>10</b>	1800	208-230/460	215TC	TSTAT	<b>C367</b> ★	215TTGS4028	2:1	\$1,562	E7	89.5	28.1-25.0/12.5	257	20.40	20
	1800	575	215TC	TSTAT	<b>C371</b>	215TTGS4049	2:1	\$1,562	E7	91.0	10.4	257	20.40	

★ Stock Model

Catalog numbers (Cat No.) highlighted in bold blue have efficiency levels that meet or exceed U.S. EPA act and/or NRCAN Canadian standards.

## Explosion Proof, Three Phase

### Class I Group D (Group C as noted), Class II Groups F & G, C-Face



**Applications:** For use on fans, blowers, pumps, compressors, machine tools, and other equipment installed in hazardous environments as defined by the motor's explosion proof class and group rating. Consult the National Electrical Code and your local regulations for the proper selection of motors in hazardous locations.

**Features:**

Frame Construction  
Thermal Protection  
Class/Group

Temperature Code  
Conduit Box  
Service Factor  
UL File  
CSA File

**56 Frame**

Rolled Steel  
Auto Overload  
Class I, Groups C & D,  
Class II, Groups F & G  
T3B  
Shipped Loose  
1.0  
E12044  
LR47504

**143-256TC**

Cast Iron "Blue Chip"  
T-Stats  
Class I, Groups C & D,  
Class II, Groups F & G  
T3B  
Installed  
1.0  
E12044  
LR47504

EXPLOSION PROOF

HP	RPM	VOLTS	FRAME	BRGS.	OVER LOAD	CAT. NO.	MODEL NO.	CT SPEED RANGE	LIST PRICE	MULT. SYMB.	NOM. EFF.	F.L. AMPS	APPROX. WGT. LBS.	"C" DIM.	FOOT NOTES
<b>1/4</b>	1800	208-230/460	56C	BALL	AUTO	G827★	56T17E5310	-----	\$476	F1	71.0	1.1-1.1/0.55	25	11.97	CD,N
	1800	575	56C	BALL	AUTO	G842★	56T17E5312	-----	\$476	F1	71.0	0.43	25	11.97	d,CD,N
<b>1/3</b>	1800	208-230/460	56C	BALL	AUTO	G828★	56T17E5311	-----	\$503	F1	74.5	1.3-1.2/0.6	25	11.97	CD,N
	1800	575	56C	BALL	AUTO	G843★	56T17E5313	-----	\$503	F1	74.5	0.50	25	11.97	CD,N
<b>1/2</b>	1800	208-230/460	56C	BALL	AUTO	G829★	56T17G5315	-----	\$530	F1	68.0	2.3-2.4/1.2	28	13.94	CD
	1800	575	56C	BALL	AUTO	G844★	56T17G5318	-----	\$530	F1	68.0	1.0	28	13.94	CD
<b>3/4</b>	1800	208-230/460	56C	BALL	AUTO	G840★	56T17G5316	-----	\$559	F1	75.5	2.9-3.0/1.5	29	13.94	CD
	1800	575	56C	BALL	AUTO	G845★	56T17G5319	-----	\$559	F1	75.5	1.2	29	13.94	CD
<b>1</b>	1800	208-230/460	143TC	BALL	TSTAT	C320★	143TTGN7062	10:1	\$650	E7	77.0	3.5-3.6/1.8	55	12.98	18,20
	1800	208-230/460	56C	BALL	AUTO	G841★	56T17G5317	-----	\$566	F1	77.0	3.5-3.6/1.8	32	13.94	CD
	1800	575	56C	BALL	AUTO	G846	56T17G5320	-----	\$566	F1	77.0	1.45	32	13.94	CD
<b>1 1/2</b>	3600	208-230/460	143TC	BALL	TSTAT	C301	143TTGN7020	10:1	\$676	E7	80.0	4.9-5.0/2.5	54	12.98	18,20
	1800	208-230/460	145TC	BALL	TSTAT	C321★	145TTGN7337	10:1	\$688	E7	80.0	4.8-4.8/2.4	61	13.98	18,20
<b>2</b>	3600	208-230/460	145TC	BALL	TSTAT	C302	145TTGN7022	2:1	\$734	E7	80.0	6.4-6.2/3.1	59	13.98	18,20
	1800	208-230/460	145TC	BALL	TSTAT	C322★	145TTGN7338	10:1	\$725	E7	81.5	6.2-6.2/3.1	65	13.98	18,20
<b>3</b>	3600	230/460	182TC	BALL	TSTAT	C303★	182TTGS7315	10:1	\$807	E7	82.5	7.8/3.9	119	15.62	20
	1800	230/460	182TC	BALL	TSTAT	C323★	182TTGS7068	2:1	\$863	E7	78.5	8.8/4.4	112	15.62	20
<b>5</b>	3600	230/460	184TC	BALL	TSTAT	C304★	184TTGS7313	2:1	\$1,013	E7	84.0	12.0/6.0	128	16.62	20
	1800	230/460	184TC	BALL	TSTAT	C324★	184TTGS7072	2:1	\$937	E7	84.0	13.4/6.7	132	16.62	20
<b>7 1/2</b>	3600	230/460	213TC	BALL	TSTAT	C305★	213TTGS7304	2:1	\$1,313	E7	84.0	19.8/9.9	123	19.50	20
	1800	230/460	213TC	BALL	TSTAT	C325★	213TTGS7067	2:1	\$1,282	E7	87.5	20.0/10.0	142	19.50	20
<b>10</b>	3600	230/460	215TC	BALL	TSTAT	C306★	215TTGS7024	2:1	\$1,470	E7	86.5	25.2/12.6	161	21.00	20
	1800	230/460	215TC	BALL	TSTAT	C326★	215TTGS7065	2:1	\$1,468	E7	87.5	26.0/13.0	154	21.00	20
<b>15</b>	3600	230/460	254TC	BALL	TSTAT	C307	254TTGP7021	2:1	\$1,922	E7	85.5	38.8/19.4	263	24.19	20
	1800	230/460	254TC	BALL	TSTAT	C327★	254TTGP7061	-----	\$1,892	E7	86.5	39.8/19.9	325	24.19	20
<b>20</b>	3600	230/460	256TC	BALL	TSTAT	C308	256TTGP7012	2:1	\$2,308	E7	88.5	49.6/24.8	340	25.94	20
	1800	230/460	256TC	BALL	TSTAT	C328★	256TTGP7060	2:1	\$2,366	E7	88.5	52.0/26.0	315	25.94	20

Blue shaded areas are Cast Iron Frames

★ Stock Model

**Footnotes:**

d To be discontinued after current stock is gone  
CD Suitable for Group C  
N Totally Enclosed, Non-Ventilated

18 1.15 Service Factor  
20 Rated 60/50 hertz, 190/380 or 380 volt at next lower horsepower

# Explosion Proof, Three Phase Blue Chip XRI® NEMA Premium® Severe Duty

Class I Group C & D, Class II Groups F & G, Rigid Base

**Applications:** For use on fans, blowers, pumps, compressors, machine tools, and other equipment installed in hazardous environments as defined by the motor's explosion proof class and group rating. Consult the National Electrical Code and your local regulations for the proper selection of motors in hazardous conditions.



**Features:**

- ☛ **Meets NEMA Premium® efficiencies**
  - 10:1 Variable torque, see Inverter Duty column for constant torque
  - MAX GUARD® Class F insulation
  - 1.15 Service Factor on sinewave or 1.0 Service Factor on IBGT power
  - Normally closed thermostats (must be connected to control circuit)
  - Meets UL frame temperature limit code T3B
  - All cast iron construction
  - Shaft slinger
  - Internal and external surfaces treated with epoxy paint
  - Extended grease tubes
  - Nameplated 60/50 Hz, 190/380 Volts, at next lower HP where footnoted
- See modification section for addition of C-Face Kits (254T-445T)
- Contact Marathon Electric for F2 mounting
- Ball Bearings, except where noted
- UL Listed File No. E12044
- CSA Certified File Nos. LR21839 and LR47504
- Three year warranty
- Contact Marathon Electric for lower HP ratings



EXPLOSION PROOF

HP	RPM	VOLTS	FRAME	CAT. NO.	MODEL NO.	CT SPEED RANGE	LIST PRICE	MULT. SYMB.	NOM. EFF.	F.L. AMPS	APPROX. WGT. LBS.	"C" DIM.	FOOT NOTES
<b>7 1/2</b>	1200	230/460	254T	<b>E500</b>	254TTGN6576	10:1	<b>\$2,101</b>	E7	91.0	19.8/9.9	345	23.52	20
<b>10</b>	1200	230/460	256T	<b>E501</b>	256TTGN6576	10:1	<b>\$2,534</b>	E7	91.0	26.2/13.1	360	25.27	20
<b>15</b>	3600	230/460	254T	<b>E502</b>	254TTGN6507	10:1	<b>\$2,054</b>	E7	91.7	35.0/17.5	253	23.52	20
	1800	230/460	254T	<b>E503*</b>	254TTGN6531	10:1	<b>\$2,042</b>	E7	92.4	37.6/18.8	385	23.52	20
	1200	230/460	284T	<b>E504</b>	284TTGN6576	10:1	<b>\$3,520</b>	E7	91.7	41.0/20.5	536	26.34	20
<b>20</b>	3600	230/460	256T	<b>E505</b>	-----	10:1	<b>\$2,588</b>	E7	92.4	46.8/23.4	338	24.62	
	1800	230/460	256T	<b>E506*</b>	256TTGN6531	10:1	<b>\$2,417</b>	E7	93.0	48.2/24.1	328	25.27	20
	1200	230/460	286T	<b>E507</b>	-----	10:1	<b>\$4,105</b>	E7	91.7	53.6/26.8	496	27.69	
<b>25</b>	3600	230/460	284TS	<b>E546</b>	284TSTGN6503	10:1	<b>\$3,341</b>	E7	93.6	56.2/28.1	412	24.97	20
	1800	230/460	284T	<b>E547*</b>	284TTGN6533	10:1	<b>\$3,075</b>	E7	93.6	62.0/31.0	512	26.34	20
	1200	230/460	324T	<b>E562</b>	-----	10:1	<b>\$5,184</b>	E7	93.0	65.0/32.5	643	28.75	
<b>30</b>	3600	230/460	286TS	<b>E563</b>	286TSTGN6501	10:1	<b>\$3,601</b>	E7	93.6	67.6/33.8	487	26.47	20
	1800	230/460	286T	<b>E564*</b>	286TTGN6537	10:1	<b>\$3,565</b>	E7	94.1	73.0/36.5	590	27.84	20
	1200	230/460	326T	<b>E565</b>	326TTGS6578	10:1	<b>\$6,068</b>	E7	93.0	77.0/38.5	675	30.37	87
<b>40</b>	3600	230/460	324TS	<b>E566</b>	324TSTGS6501	10:1	<b>\$4,847</b>	E7	93.6	94.0/47.0	734	28.87	20
	1800	230/460	324T	<b>E567*</b>	324TTGS6529	10:1@	<b>\$4,745</b>	E7	94.1	97.0/48.5	700	28.87	20
	1200	230/460	364T	<b>E568</b>	364TTGS6588	10:1	<b>\$7,522</b>	E7	93.6	100/50.0	1046	31.50	NP
<b>50</b>	3600	230/460	326TS	<b>E569</b>	326TSTGS6501	10:1@	<b>\$6,146</b>	E7	93.6	118/59.0	672	30.37	20,87
	1800	230/460	326T	<b>E570*</b>	326TTGS6532	10:1@	<b>\$5,778</b>	E7	94.5	120/60.0	700	30.37	20
	1200	230/460	365T	<b>E571</b>	365TTGS16577	10:1@	<b>\$8,545</b>	E7	94.5	123/61.5	1039	32.50	87
<b>60</b>	3600	230/460	364TS	<b>E572</b>	364TSTGS6506	10:1@	<b>\$8,928</b>	E7	94.5	134/67.0	1033	29.38	87
	1800	230/460	364T	<b>E573*</b>	364TTGS6542	10:1	<b>\$8,395</b>	E7	94.5	138/69.0	1058	31.50	
	1200	230/460	404T	<b>E574</b>	404TTGS6588	10:1	<b>\$10,671</b>	E7	94.5	144/72.0	1295	35.62	
<b>75</b>	3600	230/460	365TS	<b>E575</b>	365TSTGS16503	10:1@	<b>\$10,346</b>	E7	94.1	168/84.0	1097	30.38	87
	1800	230/460	365T	<b>E576*</b>	365TTGS6547	10:1@	<b>\$9,859</b>	E7	94.5	172/86.0	1133	32.50	2:1,20
	1200	230/460	405T	<b>E577</b>	405TTGS6589	10:1@	<b>\$12,426</b>	E7	94.5	180/90.0	1388	37.12	87

Blue shaded areas are Cast Iron Frames    \* **Stock Model**    @ **Requires larger fan**

Catalog numbers (Cat No.) highlighted in bold blue have efficiency levels that meet or exceed U.S. EPA and/or NRC Canadian standards.

**Footnotes:**

NP Does not meet NEMA Premium efficiency level    20  
 2:1 Suitable for 2:1 Constant Torque operation; consult "R164 Rework" table for fan change pricing to upgrade to 10:1 CT    87

Rated 60/50 hertz, 190/380 or 380 volt at next lower horsepower  
 10:1 Constant torque available as build-up, refer to marketing for price and availability

Continued on next page.

# Explosion Proof, Three Phase Blue Chip XRI® NEMA Premium Severe Duty

Class I Groups C & D, Class II Groups F & G, Rigid Base

HP	RPM	VOLTS	FRAME	CAT. NO.	MODEL NO.	CT SPEED RANGE	LIST PRICE	MULT. SYMB.	NOM. EFF.	F.L. AMPS	APPROX. WGT. LBS.	"C" DIM.	FOOT NOTES
<b>100</b>	3600	230/460	405TS	<b>E578</b>	405STGS6503	10:1	\$13,996	E7	94.5	216/108	1349	34.12	87
	1800	230/460	405T	<b>E594</b> *	405TTGS6548	10:1	\$12,701	E7	95.0	226/113	1479	37.12	20
	1200	230/460	444T	<b>E580</b>	444TTGS6588	10:1@	\$17,067	E7	95.0	238/119	1813	41.25	20,87
<b>125</b>	3600	460	444TS	<b>E581</b>	-----	10:1@	\$19,320	E7	94.5	136	1765	37.50	20,87
	1800	460	444T	<b>E582</b>	444TTGS6539	10:1@	\$16,403	E7	95.4	141	1795	41.25	2:1,20
	1200	460	445T	<b>E583</b>	445TTGS6597	10:1@	\$20,412	E7	95.0	155	2016	43.25	87
<b>150</b>	3600	460	445TS	<b>E584</b>	-----	10:1	\$21,586	E7	95.8	165	2010	39.50	87
	1800	460	445T	<b>E585</b>	445TTGS6542	10:1	\$19,391	E7	95.4	168	1990	43.25	20
	1200	460	445T	<b>E586</b>	-----	10:1@	\$22,212	E7	95.8	181	2500	43.19	RB
<b>200</b>	3600	460	445TS	<b>E587</b>	-----	10:1@	\$26,340	E7	95.8	222	2300	39.44	87
	1800	460	445T	<b>E588</b>	445TTGN6538	10:1@	\$21,983	E7	95.8	225	2500	43.19	20
	1200	460	449T	<b>E589</b>	-----	10:1	\$28,632	E7	95.8	240	2950	51.69	RB,87
<b>250</b>	3600	460	449TS	E590	-----	10:1@	\$31,840	E7	96.5	274	2650	47.94	87
	1800	460	449T	E591	-----	10:1	\$26,969	E7	96.5	285	2850	51.69	RB,87
<b>300</b>	1800	460	449T	E592	-----	10:1	\$30,074	E7	96.5	339	3150	51.69	RB,87
<b>350</b>	1800	460	449T	E593	-----	10:1@	\$33,682	E7	96.2	395	3200	51.69	RB

Blue shaded areas are Cast Iron Frames    ★ **Stock Model**    @ **Requires larger fan**

Catalog numbers (Cat No.) highlighted in bold blue have efficiency levels that meet or exceed U.S. EPCa and/or NRCa Canadian standards.

EXPLOSION PROOF

### "R164 Rework" Table:

### Multiplier Symbol S4

R-164 Rework for 10:1 Constant Torque: Fan Change* & Re-Nameplate	
FRAME	LIST PRICE
254-286	\$175
324-326	\$200
364-365	\$225
404-449	\$250

\* Fan change to allow 10:1 constant torque may reduce motor full load efficiency below EPCa levels.  
Operation of motor on non-sinusoidal wave form exempts motor from EPCa mandated efficiency levels.

#### Footnotes:

- RB Roller Bearing on shaft end for belted loads only
- 2:1 Suitable for 2:1 Constant Torque operation; consult "R164 Rework" table for fan change pricing to upgrade to 10:1 CT
- 20 Rated 60/50 hertz, 190/380 or 380 volt at next lower horsepower
- 87 10:1 Constant torque available as build-up, refer to marketing for price and availability

# Explosion Proof, Three Phase Blue Chip® Severe Duty

## Class I Group D (Group C as noted), Rigid Base

**Applications:** For use on fans, blowers, pumps, compressors, machine tools, and other equipment installed in hazardous environments as defined by the motor's explosion proof class and group rating. Consult the National Electrical Code and your local regulations for the proper selection of motors in hazardous locations.



- Features:**
- 10:1 Variable torque, 2:1 Constant torque
  - 1.15 Service Factor
  - Class F insulation
  - Meets UL frame temperature limit code T2A
  - All Cast iron construction
  - Shaft slinger
  - External surface treated with epoxy paint
  - Nameplated 60/50 Hz, 190/380 Volts, at next lower HP
  - See modification section for addition of C-Face kits (254T-445T)
  - Ball bearings, except where noted
  - UL Listed File No. E12044
  - CSA Certified File Nos. LR21839 and LR47504
  - Two year warranty



HP	RPM	VOLTS	FRAME	GROUP C	CAT. NO.	MODEL NO.	LIST PRICE	MULT. SYMB.	NOM. EFF.	F.L. AMPS	APPROX. WGT. LBS.	"C" DIM.	FOOT NOTES
<b>1</b>	1800	208-230/460	143T	N	<b>U930</b> ★	143TTGN1026	\$538	E7	82.5	3.0-3.0/1.5	62	13.48	25,80
	1200	208-230/460	145T	N	<b>U931</b>	145TTGN1076	\$632	E7	80.0	3.6-3.4/1.7	68	14.73	25,80
<b>1 1/2</b>	3600	208-230/460	143T	N	<b>U932</b>	145TTGN1001	\$563	E7	82.5	4.4-4.0/2.0	62	13.48	25,80
	1800	208-230/460	145T	N	<b>U933</b> ★	145TTGN1026	\$566	E7	84.0	4.6-4.4/2.2	74	14.73	25,80
	1200	230/460	182T	N	<b>U934</b>	182TTGS1076	\$683	E7	85.5	5.0/2.5	142	17.44	25
<b>2</b>	3600	230/460	145T	N	<b>U935</b>	145TTGN1001	\$628	E7	84.0	5.2/2.6	63	13.48	25,80
	1800	208-230/460	145T	N	<b>U936</b> ★	145TTGN1027	\$605	E7	85.5	6.2-6.0/3.0	68	14.73	25,80
	1200	230/460	184T	N	<b>U937</b> ★	184TTGS1076	\$791	E7	86.5	6.0/3.0	138	17.44	25
<b>3</b>	3600	230/460	182T	N	<b>U938</b>	182TTGS1001	\$708	E7	85.5	7.4/3.7	90	16.19	25
	1800	208-230/460	182T	N	<b>U939</b> ★	182TTGS1026	\$709	E7	87.5	9.0-8.4/4.2	98	16.19	25
	1200	230/460	213T	N	<b>U940</b> ★	213TTGS1076	\$1,016	E7	87.5	9.0/4.5	225	19.66	25
<b>5</b>	3600	230/460	184T	N	<b>U941</b> ★	184TTGS1001	\$891	E7	87.5	12.4/6.2	149	17.44	25
	1800	230/460	184T	N	<b>U942</b> ★	184TTGS1026	\$789	E7	86.5	13.0/6.5	141	17.44	25
	1200	208-230/460	215T	N	<b>U943</b> ★	215TTGS1076	\$1,347	E7	87.5	15.2-14.0/7.0	230	20.91	25
<b>7 1/2</b>	3600	230/460	213T	N	<b>U944</b> ★	213TTGS1001	\$1,141	E7	88.5	19.0/9.5	232	20.91	25
	1800	230/460	213T	N	<b>U945</b> ★	213TTGS1026	\$1,083	E7	89.5	20.0/10.0	223	19.66	25
	1200	230/460	254T	Y	<b>U946</b>	254TTGN1076	\$1,800	E7	89.5	20.0/10.0	386	23.52	
<b>10</b>	3600	230/460	215T	N	<b>U947</b> ★	215TTGS1001	\$1,313	E7	90.2	24.0/12.0	193	20.91	25
	1800	230/460	215T	N	<b>U948</b> ★	215TTGS1026	\$1,286	E7	91.0	26.0/13.0	178	20.91	25
	1200	208-230/460	256T	Y	<b>U949</b>	256TTGN1076	\$2,204	E7	89.5	29.0-26.0/13.0	238	25.27	
<b>15</b>	3600	208-230/460	254T	N	<b>U950</b> ★	254TTGP1001	\$1,758	E7	90.2	39.0-36.0/18.0	307	23.69	
	1800	230/460	254T	Y	<b>U951</b> ★	254TTGN1026	\$1,687	E7	91.0	39.0/19.5	364	23.52	
	1200	230/460	284T	N	<b>U952</b>	284TTGN1076	\$3,032	E7	90.2	40.0/20.0	487	26.34	
<b>20</b>	3600	230/460	256T	Y	<b>U953</b>	256TTGN1001	\$2,254	E7	90.2	47.0/23.5	365	25.27	
	1800	230/460	256T	Y	<b>U954</b> ★	256TTGN1026	\$2,049	E7	91.0	50.0/25.0	380	25.27	
	1200	230/460	286T	N	<b>U955</b>	286TTGN1076	\$3,576	E7	90.2	54.0/27.0	520	27.84	
<b>25</b>	3600	230/460	284TS	N	<b>U956</b>	284TSTGP1001	\$2,866	E7	91.0	60.0/30.0	520	24.89	
	1800	230/460	284T	Y	<b>U957</b> ★	284TTGP1026	\$2,561	E7	92.4	62.0/31.0	439	26.26	
	1200	230/460	324T	Y	<b>U958</b>	324TTGP1076	\$4,472	E7	91.7	67.0/33.5	550	28.97	

Blue shaded areas are Cast Iron Frames

★ Stock Model

Catalog numbers (Cat No.) highlighted in bold blue have efficiency levels that meet or exceed U.S. EPA and/or NRC Canadian standards.

Continued on next page.

**Footnotes:**

- 25 Motor will NOT accept C-Face kits
- 80 Rolled steel fan guard on 143T-145T

# Explosion Proof, Three Phase Blue Chip® Severe Duty

Class I Group D (Group C as noted), Rigid Base

HP	RPM	VOLTS	FRAME	GROUP C	CAT. NO.	MODEL NO.	LIST PRICE	MULT. SYMB.	NOM. EFF.	F.L. AMPS	APPROX. WGT. LBS.	"C" DIM.	FOOT NOTES
<b>30</b>	3600	230/460	286TS	N	<b>U959</b>	286TSTGP1001	\$3,108	E7	91.0	72.0/36.0	420	26.39	
	1800	230/460	286T	Y	<b>U960</b> *	286TTGP1026	\$3,007	E7	92.4	74.0/37.0	521	27.76	
	1200	230/460	326T	Y	<b>U961</b>	326TTGS1076	\$5,295	E7	91.7	76.0/38.0	750	30.47	
<b>40</b>	3600	230/460	324TS	Y	<b>U962</b>	324TSTGP1001	\$4,157	E7	91.7	95.0/47.5	561	27.47	
	1800	230/460	324T	Y	<b>U963</b> *	324TTGP1026	\$3,971	E7	93.0	100/50.0	632	28.97	
	1200	230/460	364T	Y	<b>U964</b>	364TTGS1086	\$6,984	E7	93.0	102/51.0	900	31.50	
<b>50</b>	3600	230/460	326TS	Y	<b>U965</b>	326TSTGP1001	\$5,478	E7	92.4	115/57.5	586	28.97	
	1800	230/460	326T	Y	<b>U966</b> *	326TTGP1026	\$4,911	E7	93.0	122/61.0	632	30.47	
	1200	230/460	365T	Y	<b>U967</b>	365TTGS1086	\$7,982	E7	93.0	131/65.5	1041	32.50	
<b>60</b>	3600	230/460	364TS	Y	<b>U968</b>	364TSTGS1001	\$7,959	E7	93.0	141/71.0	964	29.38	
	1800	230/460	364T	Y	<b>U969</b> *	364TTGS1036	\$7,292	E7	93.6	144/72.0	975	31.50	
	1200	230/460	404T	Y	<b>U970</b>	404TTGS1086	\$9,415	E7	93.6	149/74.5	1308	35.62	
<b>75</b>	3600	230/460	365TS	Y	<b>U971</b>	365TSTGS1001	\$9,280	E7	93.0	174/87.0	1082	30.38	
	1800	230/460	365T	Y	<b>U972</b> *	365TTGS1036	\$9,049	E7	94.1	178/89.0	982	31.50	
	1200	230/460	405T	Y	<b>U973</b> *	405TTGS1086	\$11,037	E7	93.6	185/92.5	1360	37.12	
<b>100</b>	3600	230/460	405TS	Y	<b>U974</b>	405TSTGS1001	\$12,513	E7	94.1	224/112	1100	34.12	
	1800	230/460	405T	Y	<b>U975</b> *	405TTGS1036	\$11,044	E7	94.5	228/114	1137	37.12	
	1200	230/460	444T	Y	<b>U976</b>	444TTGS11077	\$15,492	E7	94.1	238/119	1849	41.25	
<b>125</b>	3600	460	444TS	Y	<b>U977</b>	444TSTGS1001	\$17,420	E7	94.5	137	1772	37.50	
	1800	460	444T	Y	<b>U978</b> *	444TTGS1036	\$14,358	E7	94.5	142	1840	41.25	
	1200	460	445T	Y	<b>U979</b>	445TTGN1086	\$18,440	E7	94.5	152	2204	43.19	
<b>150</b>	3600	460	445TS	Y	<b>U980</b>	445TSTGN1001	\$20,490	E7	95.4	167	2188	39.44	
	1800	460	445T	Y	<b>U981</b>	445TTGN1036	\$17,076	E7	95.0	172	2217	43.19	
	1200	460	445T	Y	<b>U982</b>	445TTGN1087	\$20,115	E7	95.0	182	2390	43.19	RB
<b>200</b>	3600	460	445TS	Y	<b>U983</b>	-----	\$25,130	E7	95.0	222	2200	39.44	
	1800	460	445T	Y	<b>U984</b>	445TTGN1038	\$19,661	E7	95.0	225	2394	43.19	RB
	1200	460	449T	Y	<b>U985</b>	449TTGS1088	\$24,295	E7	95.0	243	2910	51.69	RB
<b>250</b>	3600	460	449TS	Y	H580	449TSTGS8003	\$27,720	E7	95.0	280	2627	47.94	
	1800	460	449T	Y	H581	449TTGS8038	\$22,807	E7	95.0	290	2818	51.69	RB
<b>300</b>	1800	460	449T	Y	H582	-----	\$25,507	E7	95.4	338	3150	51.69	RB
<b>350</b>	1800	460	449T	Y	H583	-----	\$28,000	E7	95.4	400	3250	51.69	RB

EXPLOSION PROOF

Blue shaded areas are Cast Iron Frames

★ **Stock Model**

Catalog numbers (Cat No.) highlighted in bold blue have efficiency levels that meet or exceed U.S. EPA and/or NRCAN Canadian standards.

**Footnotes:**

RB Roller Bearing on shaft end for belted load only



# 575 Volt: General Purpose, Three Phase

Dripproof, Rigid Base

**Applications:** General purpose use on compressors, pumps, conveyors, fans, blowers, and other machinery in environments that are relatively clean and dry where 575 volt three phase power is readily available.



- Features:**
- Ball bearings
  - NEMA Service Factors
  - UL Recognized and CSA Certified



Suitable for use on VFD per guidelines on page 14.

HP	RPM	VOLTS	FRAME	OVER LOAD	CAT. NO.	MODEL NO.	LIST PRICE	MULT. SYMB.	NOM. EFF.	F.L. AMPS	APPROX. WGT. LBS.	"C" DIM.	FOOT NOTES
<b>1/2</b>	1800	575	56	NONE	G065 *	56T17D2112	\$239	F1	70.0	0.9	17	10.47	25
<b>3/4</b>	1800	575	56	NONE	G086 *	56T17D2110	\$267	F1	75.5	1.1	20	10.97	25
<b>1</b>	1800	575	56	NONE	K049 *	56T17D2130	\$274	F1	76.5	1.4	22	11.47	25
	1800	575	56HZ	AUTO	K081	56T17D15528	\$351	F1	77.0	1.45	28	10.99	Z,5
	1800	575	143T	AUTO	<b>U922</b>	143TTDR4055	\$396	E2	82.5	1.1	39	12.49	5,13
	1800	575	143T	NONE	<b>E912</b> *	143TTDR5351	\$278	E2	82.5	1.1	41	12.49	5,13
	1200	575	145T	NONE	<b>E934</b>	145TTDR4080	\$364	E2	80.0	1.4	47	13.49	5,13
<b>1 1/2</b>	3600	575	143T	NONE	<b>E798</b>	143TTDR4006	\$309	E2	82.5	1.9	28	10.99	5,13
	1800	575	145T	NONE	<b>E913</b> *	145TTDR5640	\$303	E2	84.0	1.8	39	12.49	5,13
	1800	575	56HZ	AUTO	K083	-----	\$368	F1	80.0	1.9	30	10.99	Z,5
	1800	575	145T	AUTO	<b>U923</b>	145TTDR4130	\$421	E2	84.0	1.8	39	12.49	5,13
	1800	575	56H	NONE	K061 *	56T17D5369	\$304	F1	80.0	1.9	28	10.94	5
<b>2</b>	3600	575	145T	NONE	<b>U906</b>	145TTDR4005	\$364	E2	84.0	2.2	31	10.99	5,13
	1800	575	145T	NONE	<b>E914</b> *	145TTDR5665	\$334	E2	84.0	2.3	42	12.99	5,13
	1800	575	56HZ	AUTO	K084	-----	\$399	F1	81.5	2.5	36	11.99	Z,5
	1800	575	145T	AUTO	<b>U924</b>	145TTDR4136	\$454	E2	84.0	2.3	42	12.99	5,13
	1800	575	56H	NONE	K062 *	56T17D5370	\$334	F1	81.5	2.5	34	11.94	5
<b>3</b>	3600	575	145T	NONE	<b>E932</b>	145TTDR4105	\$382	E2	84.0	3.5	33	11.49	5,13
	1800	575	182T	NONE	<b>E915</b> *	182TTDR4030	\$391	E2	86.5	3.3	72	13.19	13,25
	1800	575	182T	AUTO	<b>U925</b>	182TTDR4075	\$534	E2	86.5	3.45	78	14.22	13,25
<b>5</b>	3600	575	182T	NONE	<b>U908</b>	182TTDR4106	\$438	E2	86.5	4.8	83	13.72	13,25
	1800	575	184T	NONE	<b>E916</b> *	184TTDR4030	\$425	E2	87.5	5.2	89	13.69	13,25
	1200	575	215T	NONE	<b>E936</b>	215TTDW4080	\$809	E2	87.5	5.6	154	18.55	13
<b>7 1/2</b>	3600	575	184T	NONE	<b>E938</b>	184TTDR4105	\$567	E2	87.5	7.0	78	14.72	13,25
	1800	575	213T	NONE	<b>E758</b> *	213TTDW4030	\$591	E2	88.5	7.6	113	17.30	13
<b>10</b>	1800	575	215T	NONE	<b>E759</b> *	215TTDW4030	\$759	E2	89.5	10.0	123	17.30	13
<b>15</b>	1800	575	254T	NONE	<b>E760</b> *	254TTDX4030	\$1,137	E2	91.0	15.3	184	22.32	
<b>20</b>	1800	575	256T	NONE	<b>E761</b> *	256TTDX4032	\$1,388	E2	91.0	20.8	189	22.32	
<b>25</b>	1800	575	284T	NONE	<b>E762</b> *	284TTDP4035	\$1,612	E2	91.7	24.4	351	23.49	
<b>30</b>	1800	575	286T	NONE	<b>E763</b> *	286TTDP4034	\$1,875	E2	92.4	28.8	285	24.99	
<b>40</b>	1800	575	324T	NONE	<b>E764</b> *	324TTDP4028	\$2,332	E2	93.0	39.0	474	26.00	
<b>50</b>	1800	575	326T	NONE	<b>E765</b> *	326TTDP4048	\$2,718	E2	93.0	49.0	510	27.50	
<b>60</b>	1800	575	364T	NONE	<b>E766</b>	364TTDS4040	\$3,332	E2	93.6	58.0	699	28.62	
<b>75</b>	1800	575	365T	NONE	<b>E767</b>	365TTDS4041	\$4,058	E2	94.1	71.0	730	28.62	
<b>100</b>	1800	575	404T	NONE	<b>U903</b>	404TTDS4042	\$5,175	E2	94.1	94.5	1004	32.50	
<b>125</b>	1800	575	405T	NONE	<b>U904</b>	405TTDS4049	\$6,196	E2	94.5	117.6	1083	34.00	
<b>150</b>	1800	575	444T	NONE	<b>U911</b>	444TTDS4069	\$8,949	E2	95.0	141	1335	37.75	
<b>200</b>	1800	575	445T	NONE	<b>U912</b>	445TTDS4070	\$11,305	E2	95.0	186	1447	39.75	

Blue shaded areas are Cast Iron Frames

\* Stock Model

Catalog numbers (Cat No.) highlighted in bold blue have efficiency levels that meet or exceed U.S. EPAact and/or NRCan Canadian standards.

**Footnotes:**

Z 56HZ with 7/8" shaft dia., 3-1/2" shaft height, and slotted 56 frame base  
 5 56H, 143T, and 145T Combination Base with 12 mounting holes

13 F1 Mounting Only, Cannot reassemble to F2  
 25 Motor will NOT accept C-Face Kits

575 VOLT

# 575 Volt: General Purpose, Three Phase

## Dripproof, C-Face



**Applications:** General purpose use on gear reducers, pumps, machine tools, and other direct-coupled equipment installed in environments that are relatively clean and dry where 575 volt three phase power is readily available. For use outdoors a drip cover may be required (see Accessories section).

- Features:**
- Ball bearings, mechanically locked on shaft end
  - NEMA Service Factors
  - UL Recognized and CSA Certified



Suitable for use on VFD per guidelines on page 14.

HP	RPM	VOLTS	FRAME	CAT. NO.	MODEL NO.	LIST PRICE	MULT. SYMB.	NOM. EFF.	F.L. AMPS	APPROX. WGT. LBS.	"C" DIM.	FOOT NOTES
1/2	1800	575	56C	G242 *	56T17D2115	\$250	F1	68.0	0.9	17	10.30	
3/4	1800	575	56C	G243 *	56T17D2116	\$279	F1	75.5	1.1	19	10.80	
1	1800	575	56C	G244 *	56T17D2127	\$284	F1	77.0	1.4	23	11.30	

\* Stock Model

# 575 Volt: General Purpose, Three Phase

## Totally Enclosed, Rigid Base



**Applications:** General purpose use on pumps, fans, blowers, compressors, conveyors, and other industrial machinery installed in damp, dusty, or dirty environments where 575 volt three phase power is readily available. Additionally, cast iron frame motors may be suitable for the process industries.

- Features:**
- Ball bearings, except where noted
  - 1.15 Service Factor
  - Accept C-Face kits, see Accessories section
  - Severe duty kits available for cast iron frame motors, see Accessories section
  - Cast iron motors feature: shaft slinger, regreasable bearings (182T and larger), lead lugs (364T and larger), and bearing caps on 444T and larger
  - UL Recognized and CSA Certified



Suitable for use on VFD per guidelines on page 14.

HP	RPM	VOLTS	FRAME	CAT. NO.	MODEL NO.	LIST PRICE	MULT. SYMB.	NOM. EFF.	F.L. AMPS	APPROX. WGT. LBS.	"C" DIM.	FOOT NOTES
1/3	1800	575	56	G304 *	56T17F2043	\$224	F1	65.5	0.64	17	10.22	25
1/2	3600	575	56	G309 *	56T34F5333	\$203	F1	66.0	0.9	26	11.82	
	1800	575	56	G322 *	56T17F2044	\$250	F1	70.0	0.9	18	10.72	25
3/4	3600	575	56	G327 *	56T34F5334	\$242	F1	74.0	1.3	23	11.82	
	1800	575	56	G340 *	56T17F2046	\$276	F1	75.5	1.1	22	11.22	25
1	3600	575	56	G345 *	56T34F5335	\$272	F1	74.0	1.5	30	11.82	
	1800	575	143T	<b>E828</b> *	143TTTN4030	\$342	E1	82.5	1.3	55	10.43	N
	1800	575	143T	<b>E300</b> *	143TTTN6030	\$458	E9	85.5	1.2	55	10.43	d,N,X
	1800	575	143T	<b>E827</b> *	143TTFR4030	\$325	E8	82.5	1.2	31	12.87	
	1800	575	56	G348 *	56T17F5307	\$289	F1	77.0	1.45	27	12.32	
	1200	575	145T	U672 *	145TTTN4080	\$437	E1	80.0	1.3	57	11.43	

Blue shaded areas are Cast Iron Frames

\* Stock Model

Catalog numbers (Cat No.) highlighted in bold blue have efficiency levels that meet or exceed U.S. EPCa and/or NRCa Canadian standards.

Continued on next page.

**Footnotes:**

d To be discontinued after current stock is gone  
 N Totally Enclosed, Non-Ventilated

X XRI, Ultra High Efficiency Design  
 25 Motor will NOT accept C-Face Kits

# 575 Volt: General Purpose, Three Phase

Totally Enclosed, Rigid Base

HP	RPM	VOLTS	FRAME	CAT. NO.	MODEL NO.	LIST PRICE	MULT. SYMB.	NOM. EFF.	F.L. AMPS	APPROX. WGT. LBS.	"C" DIM.	FOOT NOTES
<b>1 1/2</b>	3600	575	143T	<b>E835</b>	143TTTN4005	\$361	E1	86.5	1.6	58	10.43	N
	3600	575	143T	<b>E834</b>	143TTFR4005	\$342	E8	82.5	1.6	38	12.87	
	3600	575	56	G363	56T34F5336	\$328	F1	80.0	1.8	28	11.82	
	1800	575	145T	<b>E838</b> *	145TTFR4038	\$362	E8	84.0	1.8	50	14.37	
	1800	575	145T	<b>E301</b>	145TTTN6031	\$497	E9	84.0	1.8	65	11.43	N,X
	1800	575	145T	<b>E839</b> *	145TTTN4035	\$380	E1	84.0	1.8	65	11.43	N
<b>2</b>	3600	575	145T	<b>E844</b> *	145TTTN4005	\$418	E1	86.5	2.1	68	11.43	N
	3600	575	145T	<b>E843</b>	145TTFR4007	\$397	E8	84.0	2.1	40	13.37	
	3600	575	56H	G368	56T34F5337	\$382	F1	80.0	2.4	33	12.32	5
	1800	575	145T	<b>E847</b> *	145TTFR4039	\$397	E8	84.0	2.2	52	13.87	
	1800	575	145T	<b>E848</b> *	145TTTN4040	\$418	E1	85.5	2.4	68	11.43	N
	1800	575	145T	<b>E302</b>	145TTTN6030	\$546	E9	85.5	2.4	68	11.43	N,X
<b>3</b>	3600	575	182T	<b>U603</b>	182TTFR4005	\$449	E8	85.5	2.95	70	14.97	
	3600	575	182T	<b>U604</b>	182TTFS4005	\$471	E1	85.5	2.95	90	14.81	
	3600	575	56H	G386	-----	\$428	F1	84.0	3.1	43	13.52	5
	1800	575	182T	<b>E303</b> *	182TTTS6030	\$740	E9	90.2	3.2	100	12.71	N,X
	1800	575	182T	<b>U608</b> *	182TTFR4040	\$425	E8	87.5	3.4	70	14.97	
	1800	575	182T	<b>U609</b> *	182TTFS4030	\$447	E1	87.5	3.35	98	14.81	
<b>5</b>	3600	575	184T	<b>U614</b>	184TTFR4005	\$555	E8	87.5	4.9	80	15.97	
	3600	575	184T	<b>U615</b> *	184TTFS4005	\$582	E1	87.5	5.0	110	15.81	
	1800	575	184T	<b>E304</b>	184TTFS6030	\$858	E9	90.2	4.9	130	15.81	X
	1800	575	184T	<b>U620</b> *	184TTFS4030	\$520	E1	87.5	5.2	112	15.81	
	1800	575	184T	<b>U619</b> *	184TTFR4040	\$496	E8	88.5	5.2	80	14.96	
<b>7 1/2</b>	3600	575	213T	<b>U625</b>	213TTFW4005	\$725	E8	88.5	7.3	100	18.73	
	3600	575	213T	<b>U671</b> *	213TTFS4005	\$762	E1	88.5	7.6	197	18.20	
	1800	575	213T	<b>E305</b> *	213TTFS6030	\$1,051	E9	91.7	7.6	200	19.70	X
	1800	575	213T	<b>U630</b> *	213TTFW4030	\$711	E8	89.5	8.0	115	18.73	
	1800	575	213T	<b>U631</b> *	213TTFS4030	\$746	E1	89.5	8.0	200	18.20	
<b>10</b>	3600	575	215T	<b>E821</b> *	215TTFW4005	\$847	E8	89.5	9.6	115	20.23	d
	3600	575	215T	<b>U637</b>	215TTFS4005	\$889	E1	90.2	9.6	190	19.70	
	1800	575	215T	<b>E306</b>	215TTFS6030	\$1,266	E9	91.7	10.0	225	19.70	X
	1800	575	215T	<b>U641</b> *	215TTFS4030	\$904	E1	89.5	10.0	200	19.70	
	1800	575	215T	<b>U640</b> *	215TTFW4030	\$861	E8	89.5	10.4	125	20.23	
<b>15</b>	3600	575	254T	<b>U645</b>	254TTFL14005	\$1,175	E8	91.0	14.0	178	22.99	AL
	3600	575	254T	<b>U638</b>	254TTFPA4005	\$1,234	E1	90.2	14.4	325	23.69	
	1800	575	254T	<b>U648</b> *	254TTFNA4030	\$1,226	E1	91.0	15.6	341	23.52	
	1800	575	254T	<b>E307</b> *	254TTFNA6030	\$1,594	E9	92.4	15.0	350	23.52	X
	1800	575	254T	<b>E997</b>	254TTFL14030	\$1,167	E8	91.0	16.0	178	22.99	AL
<b>20</b>	3600	575	256T	<b>U650</b>	256TTFNA4005	\$1,620	E1	90.2	18.8	350	25.27	
	1800	575	256T	<b>U653</b> *	256TTFNA4030	\$1,509	E1	91.0	20.0	400	25.27	
	1800	575	256T	<b>E308</b> *	256TTFNA6030	\$1,986	E9	93.0	19.3	425	25.27	X
	1800	575	256T	<b>E998</b>	256TTFL14030	\$1,437	E8	91.0	20.4	201	26.24	AL
<b>25</b>	3600	575	284TS	<b>U654</b>	284TSTFPA4005	\$1,957	E1	91.0	24.0	400	24.89	
	1800	575	284T	<b>E800</b> *	284TTFPA4030	\$1,778	E1	92.4	25.2	400	26.27	
	1800	575	284T	<b>E309</b> *	284TTFNA6030	\$2,365	E9	93.6	24.6	500	26.34	X
<b>30</b>	3600	575	286TS	<b>E819</b>	286TSTFPA4005	\$2,157	E1	91.0	28.8	476	26.30	
	3600	575	286TS	<b>E318</b>	-----	\$3,027	E9	93.6	27.0	496	26.39	X
	1800	575	286T	<b>E817</b> *	286TTFPA4030	\$2,159	E1	92.4	29.6	450	27.77	
	1800	575	286T	<b>E310</b> *	286TTFNA6030	\$2,750	E9	94.1	29.0	525	27.88	X
<b>40</b>	3600	575	324TS	<b>E319</b>	324TSTFS6005	\$3,992	E9	94.1	37.5	675	27.37	X
	1800	575	324T	<b>E311</b> *	324TTFS6030	\$3,653	E9	94.1	38.8	750	30.37	X
	1800	575	324T	<b>E815</b> *	324TTFPA4030	\$2,792	E1	93.0	40.0	555	28.97	
<b>50</b>	3600	575	326TS	<b>E320</b>	326TSTFS6005	\$5,164	E9	94.5	46.5	725	28.87	X
	1800	575	326T	<b>U659</b> *	326TTFPA4030	\$3,595	E1	93.0	49.0	675	30.47	
	1800	575	326T	<b>E312</b>	326TTFS6030	\$4,486	E9	94.5	48.0	775	31.87	d,X

Blue shaded areas are Cast Iron Frames

★ **Stock Model**

Catalog numbers (Cat No.) highlighted in bold blue have efficiency levels that meet or exceed U.S. EPA and/or NRC Canadian standards.

**Footnotes:**

d To be discontinued after current stock is gone  
 AL Aluminum Frame Construction

N Totally Enclosed, Non-Ventilated  
 X XRI, Ultra High Efficiency Design  
 5 56H, 143T, and 145T Combination Base with 12 mounting holes

Continued on next page.

575 VOLT

## 575 Volt: General Purpose, Three Phase

### Totally Enclosed, Rigid Base

HP	RPM	VOLTS	FRAME	CAT. NO.	MODEL NO.	LIST PRICE	MULT. SYMB.	NOM. EFF.	F.L. AMPS	APPROX. WGT. LBS.	"C" DIM.	FOOT NOTES
60	3600	575	364TS	<b>E321</b>	364TSTFS6005	\$6,794	E9	94.5	53.5	925	29.38	X
	1800	575	364T	<b>E313</b> *	364TTFS6040	\$6,436	E9	95.0	55.0	1000	31.50	X
	1800	575	364T	<b>U660</b> *	364TTFS4040	\$5,275	E1	93.6	58.0	975	31.50	
75	3600	575	365TS	<b>E322</b>	365TSTFS6002	\$8,531	E9	94.5	67.0	1025	30.38	X
	1800	575	365T	<b>E805</b> *	365TTFS4040	\$6,742	E1	94.1	71.0	1035	32.50	
	1800	575	365T	<b>E315</b> *	365TTFS6040	\$8,159	E9	94.1	69.0	1100	32.50	X
100	3600	575	405TS	<b>E323</b>	405TSTFS6005	\$11,431	E9	95.0	87.0	1250	34.12	X
	1800	575	405T	<b>E314</b> *	405TTFS6040	\$10,080	E9	95.4	90.0	1375	37.12	X
	1800	575	405T	<b>U661</b> *	405TTFS4040	\$8,132	E1	94.5	91.0	1267	37.12	
125	3600	575	444TS	<b>E324</b>	444TSTFS16002	\$14,944	E9	95.4	109	1750	37.50	PW,X
	1800	575	444T	<b>E316</b>	444TTFS6044	\$13,270	E9	95.4	113	1850	41.25	PW,X
	1800	575	444T	<b>U662</b>	444TTFS4040	\$10,490	E1	94.5	114	1826	41.25	
150	1800	575	445T	<b>E317</b>	445TTFN6037	\$15,428	E9	95.8	138	2050	43.19	PW,X
200	1800	575	445T	<b>U667</b>	445TTFN4049	\$15,500	E1	95.0	180	2311	43.19	
	1800	575	445T	<b>E326</b>	445TTFN6039	\$18,763	E9	96.2	181	2350	43.19	RB,X
250	1800	575	445T	L453	445TTFN8041	\$17,695	E9	95.0	228	2394	43.19	RB
300	1800	575	445T	L461	445TTFN8043	\$19,903	E9	95.0	272	2428	43.19	H,RB,YD,17

Blue shaded areas are Cast Iron Frames

★ **Stock Model**

Catalog numbers (Cat No.) highlighted in bold blue have efficiency levels that meet or exceed U.S. EPCa and/or NRCa Canadian standards.

## 575 Volt: General Purpose, Three Phase

### Totally Enclosed, C-Face



**Applications:** General purpose use on gear reducers, pumps, machine tools, and other direct-coupled equipment installed in damp, dusty, or dirty environments where 575 volt three phase power is readily available. Suitable for use on variable frequency drives, see Motor Terminology/Selection Guide for guidelines.

**Features:**

- Ball bearings, mechanically locked on shaft end
- 1.15 Service Factor
- UL Recognized and CSA Certified

HP	RPM	VOLTS	FRAME	CAT. NO.	MODEL NO.	LIST PRICE	MULT. SYMB.	NOM. EFF.	F.L. AMPS	APPROX. WGT. LBS.	"C" DIM.	FOOT NOTES
1/4	1800	575	56C	K405	56T17F2047	\$222	F1	62.0	0.52	13	9.94	
1/3	1800	575	56C	G503 *	56T17F2048	\$237	F1	68.0	0.64	15	10.19	
1/2	1800	575	56C	G508 *	56T17F2049	\$276	F1	68.0	0.90	18	10.69	
3/4	1800	575	56C	G523 *	56T17F2050	\$304	F1	75.5	1.1	21	11.19	
1	1800	575	143TC	C230	143TTFR5333	\$326	E6	77.0	1.45	26	12.37	
	1800	575	56C	G528 *	56T17F5319	\$311	F1	77.0	1.45	25	12.32	
1 1/2	1800	575	145TC	C231	145TTFR5340	\$379	E6	80.0	1.9	29	12.37	
	1800	575	56C	G548 *	56T17F5320	\$341	F1	80.0	1.9	31	12.32	
2	1800	575	145TC	C232	145TTFR5341	\$405	E6	82.5	2.25	41	13.87	
	1800	575	56C	G549	56T17F5329	\$368	F1	82.5	2.25	41	13.82	

★ **Stock Model**

#### Footnotes:

H Class H Insulation  
 PW Part Winding Start Capability  
 RB Roller Bearing on shaft end for belted loads only  
 X XRI, Ultra High Efficiency Design  
 YD 12 Leads for WYE-DELTA, Part Winding, or across-the-line starting  
 17 1.0 Service Factor

# 575 Volt: General Purpose, Three Phase

## Totally Enclosed, C-Face with Rigid Base and C-Face with Removable Base

**Applications:** General purpose use on gear reducers, pumps, machine tools, and other direct-coupled equipment installed in damp, dusty, or dirty environments where 575 volt three phase power is readily available.



- Features:**
- Ball bearings, mechanically locked on shaft end
  - 1.15 Service Factor
  - Class F Insulation
  - 56 frame motors accept brake kits except where noted, see Accessories section
  - UL Recognized and CSA Certified
  - Two year warranty on EPA efficient (bold blue catalog numbers)



**Additional features for “Four-In-One” motors only:**

- CR<sup>200</sup> Corona resistant magnet wire
- Bolt-on, removable rigid base
- Suitable for horizontal and vertical mounting
- Will accept drip cover kits, see Accessories section

Suitable for use on VFD per guidelines on page 14.

HP	RPM	VOLTS	FRAME	“FOUR-IN-ONE”	CAT. NO.	MODEL NO.	LIST PRICE	MULT. SYMB.	NOM. EFF.	F.L. AMPS	APPROX. WGT. LBS.	“C” DIM.	FOOT NOTES
<b>1/3</b>	3600	575	56C	◆	K702★	56T34T5309	<b>\$203</b>	F2	64.0	0.80	18	9.93	N,6,13,24
	1800	575	56C	◆	K703★	56T17T5316	<b>\$260</b>	F2	68.0	0.65	22	9.93	N,6,13,24
<b>1/2</b>	3600	575	56C	◆	K704★	56T34F5348	<b>\$226</b>	F2	66.0	0.9	22	11.81	6,13
	1800	575	56C	◆	K705★	56T17F5336	<b>\$288</b>	F2	68.0	1.0	25	11.81	6,13
<b>3/4</b>	3600	575	56C	◆	K706★	56T34F5349	<b>\$264</b>	F2	68.0	1.3	24	11.81	6,13
	1800	575	56C	◆	K707★	56T17F5337	<b>\$315</b>	F2	75.5	1.2	25	11.81	6,13
<b>1</b>	3600	575	56C	◆	K708★	56T34F5350	<b>\$294</b>	F2	77.0	1.5	24	11.81	6,13
	1800	575	56HC	◆	K709★	56T17F5338	<b>\$322</b>	F2	77.0	1.45	27	12.31	5,6,13
<b>1 1/2</b>	3600	575	56C	◆	K721★	56T34F5351	<b>\$351</b>	F2	80.0	1.8	26	11.81	6,13
	1800	575	145TC		<b>U705</b>	145TTFR4052	<b>\$388</b>	E8	84.0	1.8	44	14.37	
	1800	575	56HC	◆	K722★	56T17F5339	<b>\$352</b>	F2	80.0	1.9	31	12.31	5,6,13
<b>2</b>	3600	575	56HC	◆	K723★	56T34F5352	<b>\$405</b>	F2	80.0	2.4	30	12.31	5,6,13
	1800	575	145TC		<b>U708</b>	145TTFR4126	<b>\$416</b>	E8	84.0	2.2	46	13.87	
	1800	575	56HC	◆	K724★	56T17F5340	<b>\$383</b>	F2	82.5	2.3	41	13.81	5,6,13
<b>3</b>	3600	575	56HC	◆	K725★	56T34F5353	<b>\$450</b>	F2	84.0	3.1	41	13.31	5,6,13
	1800	575	182TC	◆	<b>C383★</b>	182TTFR4345	<b>\$632</b>	E8	87.5	3.35	77	15.50	6
	1800	575	56HCZ	◆	G591	56T17F5356	<b>\$430</b>	F2	85.5	3.4	48	14.87	Z,5,6,13,17
<b>5</b>	1800	575	184TC	◆	<b>C387★</b>	184TTFR4345	<b>\$666</b>	E8	87.5	5.2	87	16.50	6,24
	3600	575	213TC		<b>U742</b>	213TTFW4008	<b>\$896</b>	E8	89.5	7.4	118	20.97	24
<b>7 1/2</b>	1800	575	213TC	◆	<b>C391★</b>	213TTFW4345	<b>\$884</b>	E8	89.5	8.0	122	19.47	6,24
	1800	575	215TC	◆	<b>C394★</b>	215TTFW4345	<b>\$972</b>	E8	89.5	10.4	135	20.97	6,24
<b>15</b>	1800	575	254TC		<b>U723</b>	254TTFL4035	<b>\$1,343</b>	E8	91.0	16.0	236	23.24	AL,24

◆ Four-In-One    ★ Stock Model

Catalog numbers (Cat No.) highlighted in bold blue have efficiency levels that meet or exceed U.S. EPA and/or NRC Canadian standards.

**Footnotes:**

- AL Aluminum Frame Construction
- Z 56HZ with 7/8" shaft diameter, 3 1/2" height and slotted 56 frame base
- 5 56H, 143T, and 145T Combination Base with 12 mounting holes
- 6 Bolt-on, removable base for footless mounting option
- 13 F1 mounting only, cannot reassemble to F2
- 17 1.0 Service Factor
- 24 Motor will NOT accept a Brake Kit



# 575 Volt: Premium Severe Duty/Chemical Processing Three Phase, NEMA Premium® Efficiency, Blue Chip XRI®

Totally Enclosed, Rigid Base



**Applications:** Chemical plants, paper mills, refineries, mines, food processing, foundries, and other severe duty environments where long life and ultra-high efficiency are desired. Guaranteed efficiencies offer an eXtra Return on your Investment when using these premium efficiency motors on high cycle or long run applications.

- Features:**
- Meets or exceeds NEMA Premium® efficiencies, except where noted
  - Blue Chip® quality, 100% cast iron construction for rigidity and reduced vibration
  - Provisions to add stub shaft for an encoder (182T-449T, TEFC only)
  - Internal and external epoxy paint
  - MAX GUARD® Class F insulation system
  - 1.15 Service Factor on sinewave, 1.0 Service Factor on IGBT power
  - Bearing caps (254 + larger)
  - Precision balanced
  - Extended grease tubes, regreasable in service
  - Brass drain and breather
  - Meets IEEE45 USCG Marine Duty, IP54 Construction
  - Division 2 CSA certification nameplate, for hazardous locations, Class I Groups A, B, C, and D
  - Actual test and vibration data supplied with each motor
  - Ball Bearings, except where noted
  - UL Recognized (through 449T) and CSA Certified
  - Three year warranty



**Available with Nameplate Modification:**

- 2:1, 20:1 or 1000:1 Constant Torque, 1.0 Service Factor on IGBT (PWM) power
- 1.25 Service Factor through 40 HP (sinewave only)
- 50 HZ at same HP, 1.0 Service Factor through 40 HP (sinewave only)
- Contact Marathon Electric for optional nameplate markings on 50 HP and larger

Suitable for use on VFD per guidelines on page 14.

HP	RPM	VOLTS	FRAME	CAT. NO.	MODEL NO.	CT SPEED RANGE*	LIST PRICE	MULT. SYMB.	NOM. EFF.	F.L. AMPS	APPROX. WGT. LBS.	"C" DIM.	FOOT NOTES	C FACE KITS
<b>1</b>	1800	575	143T	<b>E666</b> ★	143TTTN6530	1000:1	\$458	E9	85.5	1.2	55	10.43	75,76,N	A603
<b>1 1/2</b>	3600	575	143T	<b>E851</b> ★	143TTTN6505	1000:1	\$573	E9	86.5	1.6	58	10.43	75,76,N	A603
	1800	575	145T	<b>E667</b> ★	145TTTN6529	1000:1	\$497	E9	84.0	1.8	65	11.43	75,76,N,NP	A655
<b>2</b>	3600	575	145T	<b>E852</b>	145TTTN6505	1000:1	\$601	E9	85.5	2.0	68	11.43	75,76,N	A655
	1800	575	145T	<b>E668</b> ★	145TTTN6530	1000:1	\$546	E9	85.5	2.4	68	11.43	75,76,N,NP	A655
<b>3</b>	3600	575	182T	<b>E853</b>	182TTTS6505	1000:1	\$825	E9	87.5	3.0	105	12.71	75,N	A644
	1800	575	182T	<b>E669</b> ★	182TTTS6530	1000:1	\$740	E9	90.2	3.2	100	12.71	75,N	A644
<b>5</b>	3600	575	184T	<b>E655</b> ★	184TTFS6505	2:1	\$917	E9	89.5	4.7	142	16.19	75	A645
	1800	575	184T	<b>E670</b> ★	184TTFS6530	20:1	\$858	E9	90.2	5.0	130	16.19	75	A645
	1200	575	215T	<b>E683</b> ★	215TTFS6580	20:1	\$1,378	E9	89.5	5.5	202	19.72	75	A206
<b>7 1/2</b>	3600	575	213T	<b>E656</b> ★	213TTTS6505	1000:1	\$1,108	E9	91.7	7.1	200	17.19	75,N	A206
	1800	575	213T	<b>E671</b> ★	213TTFS6530	20:1	\$1,051	E9	91.7	7.6	200	18.22	75	A206
	1200	575	254T	<b>E684</b> ★	254TTFNA6578	20:1	\$1,786	E9	91.0	7.9	326	23.52	75	A284
<b>10</b>	3600	575	215T	<b>E657</b> ★	215TTFS6505	2:1	\$1,293	E9	91.7	9.5	218	19.72	75	A206
	1800	575	215T	<b>E672</b> ★	215TTFS6530	20:1	\$1,266	E9	91.7	10.0	225	19.72	75	A206
	1200	575	256T	<b>E685</b> ★	256TTFNA6578	20:1	\$2,182	E9	91.0	10.5	405	25.27	75	A284
<b>15</b>	3600	575	254T	<b>E658</b> ★	254TTFNA6503	2:1	\$1,732	E9	91.7	14.2	345	23.52	75	A284
	1800	575	254T	<b>E673</b> ★	254TTFNA6528	20:1	\$1,628	E9	92.4	15.0	350	23.52	75	A284
	1200	575	284T	<b>E694</b> ★	284TTFNA6580	20:1	\$2,896	E9	91.7	16.3	479	26.34	75	A618
<b>20</b>	3600	575	256T	<b>E659</b> ★	256TTFNA6503	2:1	\$2,146	E9	92.4	18.7	375	25.27	75	A284
	1800	575	256T	<b>E674</b> ★	256TTFNA6528	20:1	\$2,026	E9	93.0	19.2	425	25.27	75	A284
	1200	575	286T	<b>E695</b> ★	286TTFNA6580	20:1	\$3,528	E9	91.7	21.4	550	27.84		A618
<b>25</b>	3600	575	284TS	<b>E660</b> ★	284TSTFNA6502	2:1	\$2,644	E9	93.6	22.4	481	24.97		A618
	1800	575	284T	<b>E675</b> ★	284TTFNA6527	20:1	\$2,413	E9	93.6	24.8	478	26.34		A618
	1200	575	324T	<b>E696</b>	324TTFS6577	20:1	\$4,276	E9	93.0	26.0	675	28.87		A214
<b>30</b>	1800	575	286T	<b>E676</b> ★	286TTFNA6527	20:1	\$2,805	E9	94.1	29.2	525	27.84		A618
	1200	575	326T	<b>E400</b>	326TTFS6580	20:1	\$4,926	E9	93.0	31.0	725	30.37		A214

Blue shaded areas are Cast Iron Frames

★ Stock Model

\* Requires nameplate modification

Catalog numbers (Cat No.) highlighted in bold blue have efficiency levels that meet or exceed U.S. EPAct and/or NRCAN Canadian standards.

**Footnotes:**

N Totally Enclosed, Non-Ventilated  
NP Does not meet NEMA

75 Addition of C Face Kit may result in non NEMA "BA" dimension for the resulting "BA" dimension, consult chart

76 Addition of C Face Kit results in non NEMA "AH" dimension, NEMA "AH" is 2.12", rework "AH" is 2.38"

Continued on next page.

# 575 Volt: Premium Severe Duty/Chemical Processing Three Phase, NEMA Premium® Efficiency, Blue Chip XRI®

Totally Enclosed, Rigid Base

HP	RPM	VOLTS	FRAME	CAT. NO.	MODEL NO.	CT SPEED RANGE*	LIST PRICE	MULT. SYMB.	NOM. EFF.	F.L. AMPS	APPROX. WGT. LBS.	"C" DIM.	FOOT NOTES	C FACE KITS
<b>40</b>	3600	575	324TS	<b>E662</b> ★	324TSTFS6505	2:1	<b>\$4,072</b>	E9	93.6	37.5	656	27.37		A214
	1800	575	324T	<b>E677</b> ★	324TTFS6527	20:1@	<b>\$3,726</b>	E9	94.1	38.0	700	30.37		A214
	1200	575	364T	<b>E401</b>	364TTFS6590	20:1@	<b>\$6,675</b>	E9	94.1	40.0	950	31.50		A395
<b>50</b>	3600	575	326TS	<b>E663</b> ★	326TSTFS6502	2:1	<b>\$5,268</b>	E9	93.6	46.5	725	28.87		A214
	1800	575	326T	<b>E678</b> ★	326TTFS6527	20:1@	<b>\$4,576</b>	E9	94.5	48.0	775	30.37		A214
	1200	575	365T	<b>E402</b>	365TTFS6590	20:1@	<b>\$7,666</b>	E9	94.5	49.0	975	32.50		A395
<b>60</b>	3600	575	364TS	<b>E664</b> ★	364TSTFS6505	2:1	<b>\$6,929</b>	E9	94.5	53.5	925	29.38		A396
	1800	575	364T	<b>E679</b> ★	364TTFS6537	20:1@	<b>\$6,565</b>	E9	95.0	55.0	1000	31.50		A395
	1200	575	404T	<b>E403</b>	404TTFS6592	20:1@	<b>\$8,982</b>	E9	94.5	57.5	1156	35.62		A223
<b>75</b>	3600	575	365TS	<b>E665</b> ★	365TSTFS6502	2:1	<b>\$8,702</b>	E9	94.5	67.0	1002	30.38		A396
	1800	575	365T	<b>E680</b> ★	365TTFS6537	20:1@	<b>\$8,322</b>	E9	95.4	69.0	1100	32.50		A395
	1200	575	405T	<b>E404</b>	405TTFS6587	20:1@	<b>\$10,574</b>	E9	94.5	71.5	1280	37.12		A223
<b>100</b>	3600	575	405TS	<b>E493</b>	405TSTFS6502	2:1	<b>\$11,660</b>	E9	95.0	87.0	1295	34.12		A226
	1800	575	405T	<b>E681</b> ★	405TTFS6538	20:1@	<b>\$10,282</b>	E9	90.5	90.5	1330	37.12		A223
	1200	575	444T	<b>E405</b>	444TTFS6590	20:1@	<b>\$15,592</b>	E9	95.0	96.0	2100	41.25		A229
<b>125</b>	3600	575	444TS	<b>E494</b>	444TSTFS6505	2:1	<b>\$15,243</b>	E9	95.4	109	1725	37.50		A229
	1800	575	444T	<b>E697</b> ★	444TTFS6540	20:1@	<b>\$13,535</b>	E9	95.4	113	1725	41.25		A229
	1200	575	445T	<b>E406</b>	445TTFN6590	20:1@	<b>\$17,750</b>	E9	95.0	124	2000	43.26		A620
<b>150</b>	3600	575	445TS	<b>E495</b>	445TSTFN6502	2:1	<b>\$18,311</b>	E9	95.8	132	2187	39.44		A621
	1800	575	445T	<b>E682</b> ★	445TTFN6537	20:1@	<b>\$15,736</b>	E9	95.8	138	2070	43.26		A620
	1200	575	445T	<b>E407</b>	445TTFN6591	20:1@	<b>\$19,859</b>	E9	95.8	145	2500	43.26	RB	A620
<b>200</b>	3600	575	445TS	<b>E496</b>	445TSTFN6506	2:1	<b>\$23,164</b>	E9	95.8	178	2300	39.44		A621
	1800	575	447/9T	<b>E856</b> ★	449TTFS6564	20:1@	<b>\$22,009</b>	E9	96.5	180	2700	51.84	H,RB	
	1200	575	447/9T	<b>E408</b>	449TTFS6582	20:1@	<b>\$24,311</b>	E9	95.8	192	2927	51.84	H,RB	
<b>250</b>	1800	575	447/9T	<b>E344</b>	-----		<b>\$27,612</b>	E9	96.5	228	2830	51.69	H,RB	
<b>300</b>	1800	575	447/9T	<b>E345</b>	449TTFS6534	20:1@	<b>\$27,438</b>	E9	96.5	271	3211	51.84	H,RB	

Blue shaded areas are Cast Iron Frames

★ Stock Model

\* Requires nameplate modification  
@ Requires "R164" rework (reduces efficiency)

Catalog numbers (Cat No.) highlighted in bold blue have efficiency levels that meet or exceed U.S. EPA and/or NRC Canadian standards.

**Footnotes:**

H Class H Insulation  
RB Roller Bearing on shaft end for belted loads only

# 575 Volt: Premium Severe Duty/Chemical Processing/IEEE-841, Three Phase, NEMA Premium® Efficiency, Blue Chip XRI®

Totally Enclosed, Rigid Base



**Applications:** For extreme applications in the process industries such as chemical plants, paper mills, refineries, mines, food processing, foundries, and other severe duty environments where long life and ultra-high efficiency are desired. Guaranteed efficiencies offer an **eXtra Return** on your **I**nvestment when using these premium efficiency motors on high cycle or long run time applications.

- Features:**
- Meets or exceeds NEMA Premium® efficiencies, except where noted
  - Blue Chip® quality, 100% cast iron construction for rigidity and reduced vibration
  - Provisions to add stub shaft for an encoder
  - Internal and external epoxy paint
  - MAX GUARD® Class F insulation system
  - 1.15 Service Factor on sinewave, 1.0 Service Factor on IGBT Power
  - Extended grease tubes, regreasable in service
  - Brass drain and breather
  - Meets IEEE45, USCG Marine Duty, IP54 Construction
  - Meets Ford EMS Automotive Specification
  - Division 2 CSA certification nameplate, for hazardous locations, Class 1 Groups A, B, C, and D
  - Actual test and vibration data supplied with each motor
  - Ball bearings, except where noted
  - UL Recognized (through 449T), CSA Certified
  - Three year warranty



**Available with Nameplate Modification (through 40 HP):**

- 2:1, 20:1, or 1000:1 Constant Torque, 1.0 Service Factor on IGBT (PWM) power
- 1.25 Service Factor through 40 HP (sinewave only)
- 50 HZ at same HP, 1.0 Service Factor through 40 HP (sinewave only)
- Contact Marathon Electric for optional nameplate markings on 50 HP and larger



Suitable for use on VFD per guidelines on page 14.

HP	RPM	VOLTS	FRAME	CAT. NO.	MODEL NO.	CT SPEED RANGE*	LIST PRICE	MULT. SYMB.	NOM. EFF.	F.L. AMPS	APPROX. WGT. LBS.	"C" DIM.	FOOT NOTES	C FACE KITS
<b>1</b>	1800	575	143T	<b>W502</b> ★	143THTN19033	1000:1	\$618	E9	85.5	1.2	55	10.43	75,76,N	A181
<b>1 1/2</b>	3600	575	143T	<b>W506</b>	143THTN9005	1000:1	\$774	E9	86.5	1.6	58	10.43	75,76,N	A181
	1800	575	145T	<b>W508</b> ★	145THTN19045	1000:1	\$670	E9	84.0	1.75	65	11.43	75,76,N,NP	A262
<b>2</b>	3600	575	145T	<b>W512</b>	145THTN19002	1000:1	\$811	E9	85.5	2.1	68	11.43	75,76,N	A262
	1800	575	145T	<b>W514</b> ★	145THTN19033	1000:1	\$736	E9	85.5	2.4	68	11.43	75,76,N,NP	A262
<b>3</b>	3600	575	182T	<b>W518</b>	-----		\$1,114	E9	87.5	3.0	105	12.71	75,N	
	1800	575	182T	<b>W520</b> ★	182THTS19033	20:1	\$999	E9	90.2	3.2	100	12.71	75,N	A182
<b>5</b>	3600	575	184T	<b>W524</b>	184THFS19006	2:1	\$1,238	E9	89.5	4.7	142	16.19	75	A182
	1800	575	184T	<b>W526</b> ★	184THFS9030	20:1	\$1,158	E9	90.2	5.0	130	16.19	75	A182
	1200	575	215T	<b>W528</b>	215THFS19077	20:1	\$1,860	E9	89.5	5.5	202	19.72	75	A183
<b>7 1/2</b>	3600	575	213T	<b>W531</b>	213THTS19005	2:1	\$1,495	E9	91.7	7.1	200	17.18	75,N	A183
	1800	575	213T	<b>W533</b> ★	213THFS9030	20:1	\$1,419	E9	91.7	7.7	200	19.72	75	A183
	1200	575	254T	<b>W535</b>	-----		\$2,233	E9	91.0	7.9	326	23.52		
<b>10</b>	3600	575	215T	<b>W538</b>	215THFS19006	2:1	\$1,746	E9	91.7	9.4	218	19.72	75	A183
	1800	575	215T	<b>W540</b> ★	215THFS19033	20:1	\$1,709	E9	91.7	11.2	225	19.73	75	A183
	1200	575	256T	<b>W542</b>	256THFNA19085	20:1	\$2,727	E9	91.0	10.5	405	25.27		
<b>15</b>	3600	575	254T	<b>W545</b>	-----		\$2,165	E9	91.7	14.2	345	23.52		
	1800	575	254T	<b>W547</b> ★	254THFNA9030	20:1	\$2,033	E9	92.4	15.1	350	23.52	75	A184
	1200	575	284T	<b>W549</b>	284TTFNA16585	20:1	\$3,620	E9	91.7	16.3	479	26.34		A618
<b>20</b>	3600	575	256T	<b>W552</b>	-----		\$2,683	E9	92.4	18.7	375	25.27		
	1800	575	256T	<b>W554</b> ★	256THFNA19033	20:1	\$2,533	E9	93.0	19.2	425	25.27		A184
	1200	575	286T	<b>W556</b>	286THFNA19077	20:1	\$4,410	E9	91.7	21.5	550	27.84		A186

Blue shaded areas are Cast Iron Frames

★ **Stock Model**

\* **Requires nameplate modification**

Catalog numbers (Cat No.) highlighted in bold blue have efficiency levels that meet or exceed U.S. EPA and/or NRC Canadian standards.

**Footnotes:**

N Totally Enclosed, Non-Ventilated  
NP Does not meet NEMA Premium efficiency

75 Addition of C Face Kit may result in non NEMA "BA" dimension for the resulting "BA" dimension, consult chart  
76 Addition of C Face Kit results in non NEMA "AH" dimension, NEMA "AH" is 2.12", rework "AH" is 2.38"

Continued on next page.

# 575 Volt: Premium Severe Duty/Chemical Processing/IEEE-841, Three Phase, NEMA Premium® Efficiency, Blue Chip XRI®

Totally Enclosed, Rigid Base

HP	RPM	VOLTS	FRAME	CAT. NO.	MODEL NO.	CT SPEED RANGE*	LIST PRICE	MULT. SYMB.	NOM. EFF.	F.L. AMPS	APPROX. WGT. LBS.	"C" DIM.	FOOT NOTES	C FACE KITS
<b>25</b>	3600	575	284TS	<b>W559</b>	284TSHFNA9005	2:1	\$3,305	E9	93.6	22.5	481	24.97		A185
	1800	575	284T	<b>W561</b> ★	284THFNA19033	20:1	\$3,015	E9	93.6	24.8	478	26.34		A186
	1200	575	324T	<b>W563</b>	324THFS9080	20:1	\$5,346	E9	93.0	26.0	675	28.87		A214
<b>30</b>	3600	575	286TS	<b>W566</b>	-----		\$3,860	E9	93.6	27.0	500	26.47		
	1800	575	286T	<b>W568</b> ★	286THFNA19033	20:1	\$3,507	E9	94.1	29.2	525	27.84		A186
<b>40</b>	3600	575	324TS	<b>W572</b>	-----		\$5,090	E9	93.6	37.5	656	27.37		
	1800	575	324T	<b>W574</b> ★	324THFS19033	20:1	\$4,657	E9	94.1	38.0	700	30.37		A187
<b>50</b>	3600	575	326TS	<b>W578</b>	326TSHFS9005		\$6,584	E9	93.6	46.5	725	28.87		A187
	1800	575	326T	<b>W581</b>	326THFS19033	20:1@	\$5,720	E9	94.5	48.0	775	30.37		A187
<b>60</b>	3600	575	364TS	<b>W585</b>	-----		\$7,969	E9	94.5	54.0	925	29.38		
	1800	575	364T	<b>W588</b> ★	364THFS19033	20:1@	\$7,549	E9	95.0	55.0	1000	31.50	d	A188
<b>75</b>	3600	575	365TS	<b>W592</b>	365TSHFSD9002	2:1	\$10,007	E9	94.5	67.0	1002	30.38		
	1800	575	365T	<b>W595</b> ★	365THFS9044	20:1@	\$9,571	E9	95.4	69.0	1100	32.50		A188
<b>100</b>	1800	575	405T	<b>W601</b> ★	405THFS9040	20:1@	\$11,824	E9	95.4	90.0	1330	37.12		A190
<b>125</b>	1800	575	444T	<b>W607</b> ★	444THFS9040	20:1@	\$15,566	E9	95.4	113	1725	41.25		A192
<b>150</b>	1800	460	445TS	<b>W611</b> ★	445TSHFN9026	20:1@	\$18,096	E9	95.8	172	2070	39.37		A194
	1800	575	445T	<b>W613</b>	445THFN9037	20:1@	\$18,096	E9	95.8	138	2070	43.19		A194
<b>200</b>	1800	575	445T	<b>W642</b> ★	445THFN19034	20:1@	\$25,310	E9	96.2	181	2437	43.19		A194
	1200	575	447/449T	<b>W630</b>	449THFS19079	20:1@	\$27,957	E9	95.8	192	2927	51.69	RB	

Blue shaded areas are Cast Iron Frames    ★ **Stock Model**    \* **Requires nameplate modification**  
 @ **Requires "R164" rework (reduces efficiency)**

Catalog numbers (Cat No.) highlighted in bold blue have efficiency levels that meet or exceed U.S. EPA and/or NRC Canadian standards.

**Footnotes:**

d To be discontinued after current stock is gone  
 RB Roller Bearing on shaft end for belted load only

# 575 Volt: Explosion Proof, Three Phase Blue Chip® Severe Duty

Class I Group D (Group C as noted), Class II Groups F & G, Rigid Base



**Applications:** For use on fans, blowers, pumps, compressors, machine tools, and other equipment installed in hazardous environments as defined by the motor's explosion proof class and group rating. Consult the National Electrical Code and your local regulations for the proper selection of motors in hazardous locations.

- Features:**
- 10:1 Variable torque, see Inverter Duty column for constant torque (excludes 56 frames)
  - 1.15 Service Factor, except where noted
  - Class F insulation
  - Ball Bearings, except where noted
  - Normally closed thermostats on 143T Frames and larger
  - Automatic reset thermal protectors on 56 frame (cannot be used on VFD)
  - Meets UL frame temperature limit code T3B
  - Shaft slinger on drive end on 143T Frames and larger
  - See modification section for addition of C-Face Kits (254T-445T)
  - External surface treated with epoxy paint
  - See modification section for addition of C-Face Kits (254T-445T)
  - UL Listed File No. E12044
  - CSA Certified File Nos. LR21839 and LR47504
  - Two year warranty

HP	RPM	VOLTS	FRAME	GROUP C	CAT. NO.	MODEL NO.	CT SPEED RANGE	LIST PRICE	MULT. SYMB.	NOM. EFF.	F.L. AMPS	APPROX. WGT. LBS.	"C" DIM.	FOOT NOTES
1/4	1800	575	56	Y	G664	56T17E5314	-----	\$510	F1	71.0	0.43	25	11.97	N,17
1/3	1800	575	56	Y	G665	56T17E5315	-----	\$543	F1	74.0	0.50	25	11.97	N,17
1/2	1800	575	56	Y	G666★	56T17G5321	-----	\$573	F1	68.0	1.0	30	13.94	17
3/4	1800	575	56	Y	G667★	56T17G5322	-----	\$605	F1	75.5	1.2	30	13.94	17
1	1800	575	56	Y	G668★	56T17G5323	-----	\$611	F1	77.0	1.45	31	13.94	17
	1800	575	143T	N	<b>U020★</b>	143TTGN4030	10:1	\$643	E7	82.5	1.2	55	13.48	25,80
1 1/2	1800	575	145T	N	<b>U021★</b>	145TTGN4035	10:1	\$686	E7	84.0	1.8	75	14.73	25,80
2	1800	575	145T	N	<b>U022★</b>	145TTGN4040	10:1	\$726	E7	85.5	2.4	77	14.73	25,80
3	1800	575	182T	N	<b>U023★</b>	182TTGS4030	10:1	\$828	E7	87.5	3.4	98	16.19	25
5	1800	575	184T	N	<b>U024★</b>	184TTGS4030	10:1	\$908	E7	86.5	5.2	142	17.44	25
7 1/2	1800	575	213T	N	<b>U025★</b>	213TTGS4030	10:1	\$1,229	E7	89.5	8.0	200	19.66	25
10	1800	575	215T	N	<b>U026★</b>	215TTGS4030	2:1	\$1,433	E7	89.5	10.0	195	20.91	25
15	1800	575	254T	Y	<b>U027★</b>	254TTGN4030	10:1	\$1,836	E7	91.0	15.6	365	23.52	
20	1800	575	256T	Y	<b>U028★</b>	256TTGN4030	2:1	\$2,197	E7	91.0	20.0	400	25.27	
25	1800	575	284T	Y	<b>U029</b>	284TTGP4030	2:1	\$2,795	E7	92.4	24.8	450	26.26	
30	1800	575	286T	Y	<b>U030</b>	286TTGP4030	2:1	\$3,241	E7	92.4	29.6	496	27.76	
40	1800	575	324T	Y	<b>U031</b>	324TTGP4030	2:1	\$4,315	E7	93.0	40.0	520	28.97	17
50	1800	575	326T	Y	<b>U032</b>	326TTGP4030	2:1	\$5,253	E7	93.0	49.0	630	30.47	17
60	1800	575	364T	Y	<b>U033</b>	364TTGS4040	2:1	\$7,632	E7	93.6	58.0	1000	31.50	
75	1800	575	365T	Y	<b>U034</b>	365TTGS4040	2:1	\$9,390	E7	94.1	71	1094	32.50	
100	1800	575	405T	Y	<b>U035</b>	405TTGS4040	2:1	\$11,546	E7	94.5	91	1365	37.12	
125	1800	575	444T	Y	<b>U036</b>	444TTGS4042	2:1	\$14,912	E7	94.5	113	1808	41.25	
150	1800	575	445T	Y	<b>U037</b>	445TTGN4030	10:1	\$18,417	E7	95.0	138	2250	43.19	
200	1800	575	445T	Y	<b>U038</b>	445TTGN4045	2:1	\$20,837	E7	95.0	180	2384	43.19	RB

Blue shaded areas are Cast Iron Frames

★ **Stock Model**

Catalog numbers (Cat No.) highlighted in bold blue have efficiency levels that meet or exceed U.S. EPA and/or NRC Canadian standards.

**Footnotes:**

- N Totally Enclosed, Non-Ventilated
- RB Roller bearing on shaft end for belted loads only
- 17 1.0 Service Factor
- 25 Motor will not accept C-Face kits
- 80 Rolled steel fan guard on 143T-145T



## 575 Volt: Explosion Proof, Three Phase

Class I Groups C & D, Class II Groups F & G, C-Face

**Applications:** For use on fans, blowers, pumps, compressors, machine tools, and other equipment installed in hazardous environments as defined by the motor's explosion proof class and group rating. Refer to the General Information section on explosion proof classifications. Consult the National Electrical Code and your local regulations for the proper selection of motors in hazardous locations.



- Features:**
- 1.0 Service Factor
  - Automatic reset thermal protectors on 56 Frame
  - Ball bearings
  - Meets UL frame temperature limit code T3B
  - Explosion proof conduit box included, shipped loose with 56 Frame
  - UL Listed File No. E12044
  - CSA Certified File No. LR47504

HP	RPM	VOLTS	FRAME	CAT. NO.	MODEL NO.	LIST PRICE	MULT. SYMB.	NOM. EFF.	F.L. AMPS	APPROX. WGT. LBS.	"C" DIM.	FOOT NOTES
<b>1/4</b>	1800	575	56C	G842	56T17E5312	<b>\$476</b>	F1	64.0	.43	34	11.97	d,N
<b>1/3</b>	1800	575	56C	G843 ★	56T17E5313	<b>\$503</b>	F1	74.0	.5	36	11.97	N
<b>1/2</b>	1800	575	56C	G844 ★	56T17G5318	<b>\$530</b>	F1	68.0	1.0	37	13.94	
<b>3/4</b>	1800	575	56C	G845 ★	56T17G5319	<b>\$559</b>	F1	75.5	1.2	38	13.94	
<b>1</b>	1800	575	56C	G846	56T17G5320	<b>\$566</b>	F1	77.0	1.45	40	13.94	

★ Stock Model

## 575 Volt: Explosion Proof, Three Phase Blue Chip Severe Duty

Class I Group D, Class II Groups F & G, C-Face with Rigid Base

**Applications:** For use on fans, blowers, pumps, compressors, machine tools, and other equipment installed in hazardous environments as defined by the motor's explosion proof class and group rating. Refer to the General Information section on explosion proof classifications. Consult the National Electrical Code and your local regulations for the proper selection of motors in hazardous locations.



575 VOLT

- Features:**
- Class F insulation
  - 1.15 Service Factor
  - Normally closed thermostats
  - Ball bearings
  - Meets UL frame temperature limit code T3B
  - All cast iron construction
  - External surface treated with epoxy paint
  - UL Listed File No. E12044
  - CSA Certified File Nos. LR21839 and LR47504
  - Two year warranty

HP	RPM	VOLTS	FRAME	CAT. NO.	MODEL NO.	LIST PRICE	MULT. SYMB.	NOM. EFF.	F.L. AMPS	APPROX. WGT. LBS.	"C" DIM.	FOOT NOTES
<b>3</b>	1800	575	182TC	<b>C368</b>	182TTGS4036	<b>\$917</b>	E7	87.5	3.4	144	18.19	
<b>5</b>	1800	575	184TC	<b>C369</b>	184TTGS4037	<b>\$999</b>	E7	86.5	5.2	152	18.19	
<b>7 1/2</b>	1800	575	213TC	<b>C370</b>	213TTGS4036	<b>\$1,358</b>	E7	89.5	8.0	250	20.40	
<b>10</b>	1800	575	215TC	<b>C371</b>	215TTGS4049	<b>\$1,562</b>	E7	91.0	10.4	257	20.40	

Blue shaded areas are Cast Iron Frames

Catalog numbers (Cat No.) highlighted in bold blue have efficiency levels that meet or exceed U.S. EPA and/or NRC Canadian standards.

**Footnotes:**

- d To be discontinued after current stock is gone
- N Totally Enclosed, Non-Ventilated

# 575 Volt: JM Close-Coupled Pump, Three Phase

## Dripproof, C-Face and C-Face with Rigid Base



**Applications:** Close-coupled pumps where the pump impeller is mounted directly on the motor shaft in environments that are relatively clean and dry. For use outdoors an enclosure or drip cover may be required (see Accessories section).

- Features:**
- NEMA JM pump shaft dimensions
  - JMV frame includes drip cover for vertical mount without base
  - JM frame has rigid base, drip cover not included
  - Ball bearings, mechanically locked on shaft end
  - Continuous duty
  - 1.15 Service Factor
  - UL Recognized and CSA Certified
  - UL Listed for Fire Pump applications



Suitable for use on VFD per guidelines on page 14.

HP	RPM	VOLTS	FRAME	CAT. NO.	MODEL NO.	LIST PRICE	MULT. SYMB.	NOM. EFF.	F.L. AMPS	APPROX. WGT. LBS.	"C" DIM.	FOOT NOTES
<b>1</b>	1800	575	143JM	<b>E116</b>	143TTDR4047	\$329	S2	82.5	1.1	40	14.62	
	1800	575	143JMV	<b>E119</b>	143TTDR4046	\$367	S2	82.5	1.1	40	14.92	27
<b>1 1/2</b>	3600	575	143JM	<b>E121</b>	143TTDR4022	\$376	S2	82.5	1.9	28	13.12	
	3600	575	143JMV	<b>E124</b>	143TTDR4024	\$414	S2	82.5	1.9	28	12.92	27
	1800	575	145JM	<b>E126</b>	145TTDR4072	\$359	S2	84.0	1.8	41	14.62	
<b>2</b>	3600	575	145JM	<b>E131</b>	145TTDR4021	\$422	S2	84.0	2.2	32	13.12	
	3600	575	145JMV	<b>E134</b>	145TTDR4022	\$461	S2	84.0	2.2	32	13.42	27
	1800	575	145JM	<b>E136</b>	145TTDR4046	\$376	S2	84.0	2.3	45	15.12	
	1800	575	145JMV	<b>E139</b>	145TTDR4073	\$414	S2	84.0	2.3	43	15.42	27
<b>3</b>	3600	575	145JM	<b>E141</b>	145TTDR4121	\$472	S2	84.0	3.5	34	13.62	
	3600	575	145JMV	<b>E144</b>	145TTDR4025	\$511	S2	84.0	3.5	33	13.92	27
	1800	575	182JM	<b>E146</b>	182TTDR4146	\$438	S2	86.5	3.4	89	16.09	
	1800	575	182JMV	<b>E149</b>	182TTDR4147	\$516	S2	86.5	3.4	94	17.18	27
<b>5</b>	3600	575	182JM	<b>E151</b>	182TTDR4122	\$566	S2	86.5	4.8	79	16.09	
	3600	575	182JMV	<b>E154</b>	182TTDR4123	\$642	S2	86.5	4.8	73	16.68	27
	1800	575	184JM	<b>E156</b>	184TTDR4146	\$566	S2	87.5	5.0	89	17.59	13
	1800	575	184JMV	<b>E159</b>	184TTDR4147	\$642	S2	87.5	5.2	83	19.37	27
<b>7 1/2</b>	3600	575	184JM	<b>E161</b>	184TTDR4121	\$680	S2	87.5	7.2	105	17.35	
	3600	575	184JMV	<b>E164</b>	184TTDR4122	\$758	S2	87.5	7.2	106	17.68	27
	1800	575	213JM	<b>E166</b>	213TTDW4041	\$638	S2	88.5	7.6	120	19.16	
	1800	575	213JMV	<b>E169</b>	213TTDW4038	\$921	S2	88.5	7.7	142	20.44	27
<b>10</b>	3600	575	213JM	<b>E171</b>	213TTDW4010	\$874	S2	88.5	9.3	153	19.16	
	3600	575	213JMV	<b>E174</b>	213TTDW4007	\$976	S2	88.5	9.3	125	20.44	27
	1800	575	215JM	<b>E176</b>	215TTDW4042	\$970	S2	89.5	10.0	125	19.16	
	1800	575	215JMV	<b>E179</b>	215TTDW4032	\$1,072	S2	89.5	10.0	118	20.44	27
<b>15</b>	3600	575	215JM	<b>E181</b>	215TTDW4009	\$1,080	S2	90.2	13.6	159	20.41	13
	3600	575	215JMV	<b>E184</b>	215TTDW4007	\$1,183	S2	90.2	13.6	127	21.69	27
	1800	575	254JM	<b>E186</b>	254TTDX4344	\$1,312	S2	91.0	15.3	200	24.17	
	1800	575	254JMV	<b>E189</b>	-----	\$1,461	S2	91.0	15.4	205	25.45	27
<b>20</b>	3600	575	254JM	<b>E192</b>	254TTDX4019	\$1,363	S2	91.0	18.5	225	22.42	
	3600	575	254JMV	<b>E195</b>	254TTDX4024	\$1,512	S2	91.0	18.5	205	23.70	27
	1800	575	256JM	<b>E198</b>	256TTDX4326	\$1,583	S2	91.0	20.8	238	24.17	
	1800	575	256JMV	<b>U101</b>	256TTDX4047	\$1,730	S2	91.0	20.8	188	25.45	27
<b>25</b>	3600	575	256JM	<b>U104</b>	256TTDX4019	\$1,603	S2	91.0	23.2	195	24.17	
	1800	575	284JM	<b>U107</b>	284TTDP4037	\$1,914	S2	91.7	24.5	349	24.31	
<b>30</b>	3600	575	284JM	<b>U110</b>	284TTDP4023	\$1,954	S2	91.0	28.8	315	24.31	
	1800	575	286JM	<b>U113</b>	286TTDP4047	\$2,211	S2	92.4	28.8	364	25.81	
<b>40</b>	3600	575	286JM	<b>U115</b>	286TTDP4021	\$2,446	S2	91.7	38.0	386	25.81	
	1800	575	324JM	<b>U117</b>	324TTDP4349	\$2,888	S2	93.0	39.0	491	26.25	
<b>50</b>	3600	575	324JM	<b>U119</b>	324TTDP4018	\$3,129	S2	92.4	47.0	437	26.25	
	1800	575	326JM	<b>U121</b>	326TTDP4326	\$3,337	S2	93.0	47.5	504	27.75	

Blue shaded areas are Cast Iron Frames

Catalog numbers (Cat No.) highlighted in bold blue have efficiency levels that meet or exceed U.S. EPA and/or NRC Canadian standards.

**Footnotes:**

- 13 F1 Mounting only, cannot reassemble to F2
- 27 Drip Cover included

# 575 Volt: JM Close-Coupled Pump, Three Phase

Totally Enclosed, C-Face with Rigid Base

**Applications:** Close-coupled pumps where the pump impeller is mounted directly on the motor shaft in damp, dusty, or dirty environments.

- Features:**
- NEMA JM pump shaft dimensions
  - Ball bearings, mechanically locked on shaft end
  - Continuous duty
  - 1.15 Service Factor
  - UL Recognized and CSA Certified



Suitable for use on VFD per guidelines on page 14.

HP	RPM	VOLTS	FRAME	CAT. NO.	MODEL NO.	LIST PRICE	MULT. SYMB.	NOM. EFF.	F.L. AMPS	APPROX. WGT. LBS.	"C" DIM.	FOOT NOTES
<b>1</b>	1800	575	143JM	<b>U302</b>	143TTFR4046	\$408	S2	82.5	1.2	41	15.00	
<b>1 1/2</b>	3600	575	143JM	<b>U305</b>	143TTFR4021	\$480	S2	82.5	1.6	41	15.00	
	1800	575	145JM	<b>U308</b>	145TTFR4054	\$447	S2	84.0	1.8	45	16.50	
<b>2</b>	3600	575	145JM	<b>U311</b>	145TTFR4023	\$520	S2	84.0	2.1	39	15.50	
	1800	575	145JM	<b>U314</b>	145TTFR4128	\$468	S2	84.0	2.2	47	16.00	
<b>3</b>	3600	575	182JM	<b>U317</b>	182TTFR4021	\$596	S2	85.5	3.0	81	17.35	
	1800	575	182JM	<b>U320</b>	182TTFR4056	\$545	S2	87.5	3.4	79	18.35	
<b>5</b>	3600	575	184JM	<b>U323</b>	184TTFR4021	\$708	S2	87.5	4.9	82	18.35	
	1800	575	184JM	<b>U326</b>	184TTFR4056	\$708	S2	87.5	5.2	89	18.85	
<b>7 1/2</b>	3600	575	213JM	<b>U331</b>	213TTFW4010	\$883	S2	89.5	7.3	147	20.59	
	1800	575	213JM	<b>U335</b>	213TTFW4038	\$1,009	S2	89.5	8.0	225	20.59	
<b>10</b>	3600	575	215JM	<b>U338</b>	215TTFW4015	\$1,080	S2	89.5	9.6	158	22.09	
	1800	575	215JM	<b>U341</b>	215TTFW4036	\$1,207	S2	89.5	10.4	128	22.09	
<b>15</b>	3600	575	254JM	<b>U346</b>	254TTFL4010	\$1,350	S2	91.0	14.0	195	24.74	AL
	1800	575	254JM	<b>U349</b>	254TTFL4036	\$1,637	S2	91.0	16.0	220	24.74	AL
<b>20</b>	3600	575	256JM	<b>U352</b>	256TTFL4012	\$1,817	S2	90.2	18.8	185	26.49	AL
	1800	575	256JM	<b>U355</b>	256TTFL4038	\$1,987	S2	91.0	20.4	232	28.49	AL

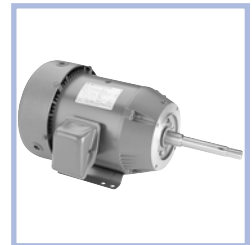
Catalog numbers (Cat No.) highlighted in bold blue have efficiency levels that meet or exceed U.S. EPCAct and/or NRCAn Canadian standards.

# 575 Volt: JP Close-Coupled Pump, Three Phase

Totally Enclosed, C-Face with Rigid Base

**Applications:** Close-coupled pumps where the pump impeller is mounted directly on the motor shaft in damp, dusty, or dirty environments.

- Features:**
- More ratings available, contact Marathon for price & availability
  - NEMA JP pump shaft dimensions
  - Ball bearings, mechanically locked on shaft end
  - Continuous duty
  - 1.15 Service Factor
  - UL Recognized and CSA Certified



Suitable for use on VFD per guidelines on page 14.

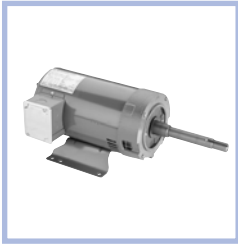
HP	RPM	VOLTS	FRAME	CAT. NO.	MODEL NO.	LIST PRICE	MULT. SYMB.	NOM. EFF.	F.L. AMPS	APPROX. WGT. LBS.	"C" DIM.	FOOT NOTES
<b>7 1/2</b>	3600	575	213JP	<b>U332</b>	213TTFW4012	\$883	S2	89.5	7.4	85	25.96	
<b>15</b>	3600	575	254JP	<b>U356</b>	254TTFL4011	\$1,350	S2	91.0	14.0	259	27.60	AL

Catalog numbers (Cat No.) highlighted in bold blue have efficiency levels that meet or exceed U.S. EPCAct and/or NRCAn Canadian standards.

**Footnotes:**  
AL Aluminum frame construction

# 575 Volt: JP Close-Coupled Pump, Three Phase

## Dripproof, C-Face/Vertical and C-Face with Rigid Base



**Applications:** Close-coupled pumps where the pump impeller is mounted directly on the motor shaft in environments that are relatively clean and dry. For use outdoors an enclosure or drip cover may be required (see Accessories section).

- Features:**
- NEMA JP pump shaft dimensions
  - JPV frame includes drip cover for vertical mount without base
  - JP frame has rigid base, drip cover not included
  - Ball bearings, mechanically locked on shaft end
  - Continuous duty
  - 1.15 Service Factor
  - UL Recognized and CSA Certified
  - UL Listed for Fire Pump applications



Suitable for use on VFD per guidelines on page 14.

HP	RPM	VOLTS	FRAME	CAT. NO.	MODEL NO.	LIST PRICE	MULT. SYMB.	NOM. EFF.	F.L. AMPS	APPROX. WGT. LBS.	"C" DIM.	FOOT NOTES
<b>1</b>	1800	575	143JP	<b>U124</b>	143TTDR4048	\$329	S2	82.5	1.1	42	17.68	
	1800	575	143JPV	<b>U127</b>	143TTDR4049	\$367	S2	82.5	1.1	41	17.98	27
<b>1 1/2</b>	3600	575	143JP	<b>U130</b>	143TTDR4023	\$376	S2	82.5	1.9	40	16.18	
	3600	575	143JPV	<b>U133</b>	143TTDR4025	\$414	S2	82.5	1.9	41	15.98	27
	1800	575	145JP	<b>U136</b>	145TTDR4048	\$359	S2	84.0	1.8	42	17.68	
	1800	575	145JPV	<b>U139</b>	145TTDR4049	\$399	S2	84.0	1.8	45	17.98	27
<b>2</b>	3600	575	145JP	<b>U142</b>	145TTDR4023	\$422	S2	84.0	2.2	43	16.18	
	3600	575	145JPV	<b>U145</b>	145TTDR4024	\$461	S2	84.0	2.2	44	16.48	27
	1800	575	145JP	<b>U148</b>	145TTDR4074	\$376	S2	84.0	2.3	45	18.18	
	1800	575	145JPV	<b>U151</b>	145TTDR4075	\$414	S2	84.0	2.3	44	18.48	27
<b>3</b>	3600	575	145JP	<b>U154</b>	145TTDR4123	\$472	S2	84.0	3.5	47	16.68	
	3600	575	145JPV	<b>U157</b>	145TTDR4124	\$511	S2	84.0	3.5	48	16.98	27
	1800	575	182JP	<b>U160</b>	182TTDR4148	\$438	S2	86.5	3.4	93	19.66	
	1800	575	182JPV	<b>U163</b>	182TTDR4149	\$516	S2	86.5	3.4	94	19.91	27
<b>5</b>	3600	575	182JP	<b>U166</b>	182TTDR4124	\$566	S2	86.5	4.8	56	19.16	13
	3600	575	182JPV	<b>U169</b>	182TTDR4125	\$642	S2	86.5	4.8	69	19.84	27
	1800	575	184JP	<b>U172</b>	184TTDR4148	\$566	S2	87.5	5.3	69	20.16	13
	1800	575	184JPV	<b>U175</b>	184TTDR4149	\$642	S2	87.5	5.0	116	20.84	27
<b>7 1/2</b>	3600	575	184JP	<b>U178</b>	184TTDR4123	\$680	S2	87.5	7.2	105	20.16	
	3600	575	184JPV	<b>U181</b>	184TTDR4124	\$758	S2	87.5	7.2	106	20.32	27
	1800	575	213JP	<b>U184</b>	213TTDW4039	\$818	S2	88.5	7.6	140	23.03	
	1800	575	213JPV	<b>U187</b>	213TTDW4052	\$921	S2	88.5	7.7	142	24.31	27
<b>10</b>	3600	575	213JP	<b>U190</b>	213TTDW4012	\$874	S2	88.5	9.4	140	23.03	
	3600	575	213JPV	<b>U193</b>	213TTDW4014	\$976	S2	88.5	9.3	130	24.31	27
	1800	575	215JP	<b>U196</b>	215TTDW4051	\$970	S2	89.5	10.0	135	23.03	
	1800	575	215JPV	<b>U199</b>	215TTDW4052	\$1,072	S2	89.0	10.0	150	24.31	27
<b>15</b>	3600	575	215JP	<b>U202</b>	215TTDW4012	\$1,080	S2	90.2	13.6	168	24.28	
	3600	575	215JPV	<b>U205</b>	215TTDW4014	\$1,183	S2	90.2	13.6	215	25.56	27
	1800	575	254JP	<b>U208</b>	254TTDX4340	\$1,312	S2	91.0	15.4	260	27.04	
	1800	575	254JPV	<b>U211</b>	254TTDX4341	\$1,461	S2	91.0	15.4	220	28.33	27
<b>20</b>	3600	575	254JP	<b>U214</b>	254TTDX4008	\$1,363	S2	91.0	18.4	203	25.29	
	3600	575	254JPV	<b>U217</b>	254TTDX4016	\$1,512	S2	91.0	18.5	200	26.58	27
	1800	575	256JP	<b>U220</b>	256TTDX4328	\$1,583	S2	91.0	20.8	236	27.04	
	1800	575	256JPV	<b>U223</b>	256TTDX4059	\$1,730	S2	91.0	20.8	220	28.33	27
<b>25</b>	3600	575	256JP	<b>U226</b>	256TTDX4023	\$1,603	S2	91.0	23.2	255	27.04	
<b>30</b>	3600	575	284JP	<b>U232</b>	284TTDP4012	\$1,954	S2	91.0	29.0	428	27.18	
	1800	575	286JP	<b>U235</b>	286TTDP4049	\$2,211	S2	92.4	28.8	364	28.68	
<b>40</b>	3600	575	286JP	<b>U237</b>	286TTDP4024	\$2,446	S2	91.7	38.0	327	28.68	
	1800	575	324JP	<b>U239</b>	324TTDP4033	\$2,889	S2	93.0	39.0	491	29.12	
<b>50</b>	3600	575	324JP	<b>U241</b>	324TTDP4011	\$3,129	S2	92.4	47.0	437	29.12	
	1800	575	326JP	<b>U243</b>	326TTDP4032	\$3,337	S2	93.0	49.0	490	30.62	

Blue shaded areas are Cast Iron Frames

Catalog numbers (Cat No.) highlighted in bold blue have efficiency levels that meet or exceed U.S. EPA and/or NRC Canadian standards.

**Footnotes:**

- 13 F1 Mounting Only, Cannot reassemble to F2
- 27 Drip Cover included

## 575 Volt: Condenser Fan, Three Phase

### 56 Frame, Open Air Over, Belly Band/Resilient Mount

**Applications:** Commercial condenser fans, may be installed outdoors. These motors need to be mounted within the airflow of the fan for proper cooling. Used on Trane, Carrier, Climtrol, & York units, 5 tons and larger.

**Features:**

- **60 degrees C ambient**
- Automatic reset thermal protector
- Enclosed shaft end bracket, vented frame
- Double sealed ball bearings
- Shaft slinger
- 5/8" dia. X 5" long shaft with flat and keyway
- Patented VCD™ - Voltage Change Device
- Four locating screws 90° apart, 3.33" from outer edge of shaft slinger
- Threaded lead exit
- Hubs on both ends will accept resilient base kits, see Accessories section, (except X524 and X526-horizontal only)
- UL Recognized and CSA Certified



HP	RPM	VOLTS	FRAME	CAT. NO.	MODEL NO.	LIST PRICE	MULT. SYMB.	F.L. AMPS	APPROX. WGT. LBS.	BODY LENGTH	FOOT NOTES
<b>1</b>	1140	575	56Y	X522 *	56T11O5308	\$397	F1	1.7	30	10	VC
	850	575	56Y	X527 *	56T8O5304	\$522	F1	2.1	54	12	VC
<b>1 1/2</b>	1140	575	56Y	X524 *	56T11O5307	\$434	F1	2.2	37	11	VC,73
<b>2</b>	1140	575	56Y	X526 *	56T11O5309	\$1,787	F1	2.7	43	11 5/8	VC,73

★ Stock Model

## 575 Volt: Fan and Blower, Three Phase

### Drip-proof, Resilient Base

**Applications:** Commercial and industrial fans and blowers that require moderate starting torque and are used in relatively clean and dry environments where three phase power is available.

**Features:**

- Ball bearings
- Heavy gauge steel frame and resilient, "cradle" style base
- Automatic reset thermal protector, as noted
- NEMA Service Factors
- UL Recognized and CSA Certified



575 VOLT

HP	RPM	VOLTS	FRAME	OVER LOAD	CAT. NO.	MODEL NO.	LIST PRICE	MULT. SYMB.	SERVICE FACTOR	F.L. AMPS	APPROX. WGT. LBS.	"C" DIM.	FOOT NOTES
<b>1/3</b>	1800	575	56	NONE	G964	56T17D2117	\$216	F1	1.35	0.64	17	9.97	d
<b>1/2</b>	1800	575	56	NONE	G961*	56T17D2118	\$243	F1	1.25	0.9	18	10.47	
<b>3/4</b>	1800	575	56	NONE	G962*	56T17D2119	\$272	F1	1.25	1.1	20	10.97	
<b>1</b>	1800	575	56H	NONE	G963*	56T17D2120	\$279	F1	1.15	1.4	24	11.47	5
<b>1 1/2</b>	1800	575	56	AUTO	G965	56T17D5357	\$351	F1	1.15	1.9	29	11.35	
<b>2</b>	1800	575	56H	AUTO	G967	56T17D5385	\$382	F1	1.15	2.5	36	12.35	5

★ Stock Model

**Footnotes:**

- d To be discontinued after current stock is gone
- VC Voltage Change Device feature for quick voltage changes
- 5 56H, 143T, and 145T Combination Base with 12 mounting holes
- 73 No hubs



# 575 Volt: Globetrotter IEC (Metric) Frame, Three Phase

Totally Enclosed, B3 Mounting, Rigid Base



**Applications:** For use on fans, pumps, compressors, conveyors, and other equipment requiring IEC dimensions and electrical standards. The Globetrotter is not only designed to International standards but meets NEMA performance and efficiency standards making it suitable for requirements worldwide.

- Features:**
- Nameplated 60/50 hertz at same HP/KW
  - Class F insulation
  - IP55 weatherproof enclosure
  - Class B rise @ nameplate KW
  - Meets EFF2 European, EPAct and NRCAN Canadian efficiencies, except as noted
  - Top Mounted/Oversized gasketed terminal box
  - Meets IEEE45, IEC60092 & USCG
  - 1.15 Service Factor on 60 Hz
  - Design "N" with NEMA "B" Torques
  - Terminal Blocks, Stud Type, Zero Creepage
  - Kits for B3/B5 & B3/B14 mounting available
  - Meets IEC 34 electrical standards
  - Meets IEC 72 dimensions and tolerances
  - CE Marked



**CONSULT  
MARATHON ELECTRIC  
FOR SPECIAL IEC  
MOTORS**



HP-KW	RPM @ 60 HZ	60 HZ VOLTS	IEC FRAME	CAT. NO.	MODEL NO.	CT SPEED RANGE	LIST PRICE	MULT. SYMB.	NOM. EFF.	60 HZ F.L. AMPS	APPROX. WGT. LBS.	IEC DIM (IN.)	FOOT NOTES
<b>1/4-.18</b>	3600	575	63	R400★	63T34FH5303	20:1	\$175	F4	72.0	0.3	11	8.54	AL,DS
	1800	575	63	R401★	63T17FH5327	20:1	\$182	F4	68.0	0.4	12	8.54	AL,DS
<b>1/3-.25</b>	3600	575	63	R403★	63T34FH5304	20:1	\$205	F4	72.0	0.4	12	8.54	AL,DS
	1800	575	71	R404★	71T17FH5330	20:1	\$213	F4	68.0	0.6	14	9.45	AL,DS
<b>1/2-.37</b>	3600	575	71	R406★	71T34FH5303	20:1	\$218	F4	74.0	0.7	14	9.45	AL,DS
	1800	575	71	R407★	71T17FH5331	20:1	\$222	F4	74.0	0.7	16	9.45	AL,DS
<b>3/4-.55</b>	3600	575	71	R409★	71T34FH5304	20:1	\$229	F4	74.0	0.9	16	9.45	AL,DS
	1800	575	80	R410★	80T17FH5330	20:1	\$241	F4	74.0	1.0	22	11.10	AL,DS
<b>1-.75</b>	3600	575	80	R412★	80T34FH5305	20:1	\$260	F4	75.5	1.1	24	11.10	AL,DS
	1800	575	80	R413★	80T17FH5331	20:1	\$264	F4	80.0	1.4	28	11.10	AL,DS
<b>1 1/2-1.1</b>	3600	575	80	R415★	80T34FH5303	20:1	\$287	F4	84.0	1.6	29	11.10	AL,DS
	1800	575	90S	R416★	90ST17FH5327	20:1	\$295	F4	85.5	1.8	39	12.60	AL,DS
<b>2-1.5</b>	3600	575	90S	R418★	90ST34FH5302	20:1	\$307	F4	85.5	2.1	36	12.60	AL,DS
	1800	575	90L	R419★	90LT17FH5327	20:1	\$317	F4	84.0	2.4	39	12.60	AL,DS
<b>3-2.2</b>	3600	575	90L	R421★	90LT34FH5302	20:1	\$442	F4	86.5	2.9	42	12.60	AL,DS
	1800	575	100L	<b>R422</b>	100LTFC4527	20:1	\$480	F4	87.5	3.5	88	14.96	DS
<b>4-3</b>	3600	575	100L	<b>R451</b>	100LTFC4502	20:1	\$512	F4	87.5	4.0	82	14.96	DS
	1800	575	100L	<b>R452</b>	100LTFC4537	20:1	\$521	F4	88.5	4.2	95	14.96	DS
<b>5 1/2-4</b>	3600	575	112M	<b>R424</b>	112MTFC4512	20:1	\$659	F4	87.5	5.0	117	15.75	DS
	1800	575	112M	<b>R425</b>	112MTFC4537	20:1	\$635	F4	88.5	5.4	117	15.75	DS
<b>7 1/2-5.5</b>	3600	575	132S	<b>R427</b>	132STFC4503	20:1	\$826	F4	90.1	7.2	170	18.70	DS
	1800	575	132S	<b>R428</b>	132STFC4527	20:1	\$826	F4	89.5	7.9	167	18.70	DS
<b>10-7.5</b>	3600	575	132S	<b>R430</b>	132STFC4504	20:1	\$884	F4	91.0	9.6	181	18.70	DS
	1800	575	132M	<b>R431</b>	132MTFC4537	2:1	\$980	F4	89.5	10.5	192	20.28	DS

Blue shaded areas are Cast Iron Frames ★ Stock Model

Catalog numbers (Cat No.) highlighted in bold blue have efficiency levels that meet or exceed U.S. EPAct and/or NRCAN Canadian standards.

**Footnotes:**  
AL Aluminum Construction  
DS Sourced

# 575 Volt: Kiln Duty, Premium Efficiency Blue Chip Severe Duty Totally Enclosed Air Over

Three Phase, Rigid Base

**Applications:** Fans found in kilns and other high ambient environments where long life and premium efficiency are desired. These TEAO motors must be mounted within the airstream for proper cooling. Suitable for use on variable frequency drives.



- Features:**
- Blue Chip quality, 100% cast iron construction for rigidity and reduced vibration
  - Internal and external epoxy paint
  - CR<sup>200</sup> Corona resistant magnet wire
  - Class H insulation system
  - Normally closed thermostats
  - Heat stabilized ball bearings and high temperature grease
  - Suitable for inverter use for 20:1 Variable Torque at 1.0 S.F.
  - Suitable for 90°C ambient or 1.15 S.F. at 100°C ambient at 1.0 S.F.
  - Extended grease tubes, regreasable in service
  - 8 Foot Leads
  - UL Recognized and CSA Certified

HP	RPM	VOLTS	FRAME	CAT. NO.	MODEL NO.	LIST PRICE	MULT. SYMB.	NOM. EFF.	F.L. AMPS	APPROX. WGT. LBS.	(C) DIM.	FOOT NOTES
<b>1</b>	1800	575	143T	S550	----	\$1,129	E9	85.5	1.2	65	10.43	
	1200	575	145T	S551	----	\$1,218	E9	80.0	1.4	59	11.43	
	900	575	182T	S552	----	\$1,699	E9	74.0	1.8	100	12.71	
<b>2</b>	1800	575	145T	S553	145TTN18532	\$1,218	E9	85.5	2.3	68	11.43	
	1200	575	184T	S554	184TTTS18578	\$1,684	E9	87.5	2.4	115	13.71	
	900	575	213T	S555	----	\$1,788	E9	84.0	3.0	170	15.69	
<b>3</b>	1800	575	182T	S556	----	\$1,646	E9	89.5	3.2	110	13.71	
	1200	575	213T	S557	213TTTS17078	\$1,788	E9	89.5	3.5	175	15.69	
	900	575	215T	S558	215TTTS18604	\$2,059	E9	86.5	4.0	200	17.18	
<b>5</b>	1800	575	184T	S559	----	\$1,684	E9	90.2	5.0	130	13.71	
	1200	575	215T	S560 *	215TTTS17078	\$2,059	E9	88.5	5.5	200	17.19	
	900	575	254T	S561	----	\$2,211	E9	88.5	6.0	375	20.60	
<b>7 1/2</b>	1800	575	213T	S562	----	\$1,982	E9	91.7	7.7	200	15.69	
	1200	575	254T	S563	----	\$3,025	E9	90.2	7.9	375	20.60	
	900	575	256T	S564	256TTTNA18601	\$2,828	E9	88.5	8.6	425	22.35	
<b>10</b>	1800	575	215T	S565	----	\$2,059	E9	91.7	10.0	225	17.19	
	1200	575	256T	S566 *	256TTTNA18577	\$2,895	E9	91.0	10.2	425	22.35	d
	900	575	284T	S567 *	284TTTNA17101	\$3,001	E9	88.5	12.2	475	23.44	
<b>15</b>	1800	575	254T	S568	----	\$2,762	E9	92.4	14.4	425	20.60	
	1200	575	284T	S569	284TTTNA18577	\$3,467	E9	91.7	16.4	475	23.44	
	900	575	286T	S570	----	\$3,797	E9	90.2	17.6	550	24.94	
<b>20</b>	1800	575	256T	S571	----	\$2,382	E9	93.0	19.3	450	22.35	
	1200	575	286T	S572	----	\$3,797	E9	91.7	21.4	550	24.94	
	900	575	324T	S573	----	\$4,640	E9	90.2	23.5	685	27.50	
<b>25</b>	1800	575	284T	S574	----	\$3,001	E9	93.6	24.8	500	23.44	
	1200	575	324T	S575	----	\$4,770	E9	92.4	26.5	675	26.00	
	900	575	326T	S576	----	\$5,051	E9	90.2	29.5	750	27.50	
<b>30</b>	1800	575	286T	S577	----	\$3,797	E9	94.1	29.2	525	24.94	
	1200	575	326T	S578	----	\$5,051	E9	93.0	31.5	725	27.50	

Blue shaded areas are Cast Iron Frames

\* Stock Model

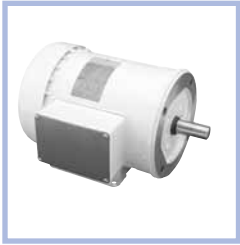
**Footnotes:**

d To be discontinued after current stock is gone

575 VOLT

# 575 Volt: PowerWash™ XT Washdown Duty, Three Phase

White Epoxy, Totally Enclosed, C-Face with Rigid Base



**Applications:** Gear reducers, pumps, fans, blowers, conveyors, and other machinery found in food processing, dairies, slaughter houses, beverage plants, car washes, and other high humidity or wet environments or where motor is subject to high pressure washdowns.

- Features:**
- 10:1 Variable torque, Constant torque, speed range as listed below
  - MAX GUARD® Class F insulation system
  - 1.15 Service Factor on sinewave, 1.0 Service Factor on IBGT Power
  - Double sealed ball bearings
  - 303 Stainless steel shaft with spring loaded contact seals in each endshield (Drive end only on TENV motors)
  - Stainless steel conduit box cover, nameplate, fan guard (TEFC only) and hardware
  - Cast oversized conduit box with high temperature nitrile gaskets and threaded entrance
  - Plugged drain holes in each endshield for all angle mounting
  - Internal corrosion resistant coatings on frame, base, endshields, rotor and stator
  - USDA-approved, white epoxy RUST-OLEUM® paint
  - UL Recognized, CSA Certified and CE Marked



**IP55**



HP	RPM	VOLTS	FRAME	CAT. NO.	MODEL NO.	CT SPEED RANGE*	LIST PRICE	MULT. SYMB.	NOM. EFF.	F.L. AMPS	APPROX. WGT. LBS.	"C" DIM.	FOOT NOTES
1/4	1800	575	56C	N620★	56T17W5333	10:1	\$410	F3	68.0	0.44	20	10.69	d,V
1/3	1800	575	56C	N621	56T17W5335	10:1	\$450	F3	72.0	0.68	23	10.69	V
1/2	1800	575	56C	N622★	56T17V5337	1000:1	\$458	F3	78.5	0.72	25	10.08	N
3/4	1800	575	56C	N623	56T17W5339	10:1	\$530	F3	77.0	1.12	27	11.19	V
1	1800	575	56C	N627★	56T17W5341	10:1	\$553	F3	77.0	1.5	30	11.69	d,V

★ Stock Model

\* Requires nameplate modification

More 575 Volt Washdown ratings are available on a build-up basis, call Marathon for price and availability.

575 VOLT

**Footnotes:**

- d To be discontinued after current stock is gone
- N Totally Enclosed, Non-Ventilated
- V Suitable for 10:1 CT 60 minute duty, otherwise 2:1 CT

# 575 Volt: microMAX™ AC Inverter Duty Motor 1000:1 Constant Torque (TENV), 20:1 Constant Torque (TEFC)

C-Face with Rigid Base and C-Face with Removable Rigid Base

**Applications:** Designed for direct replacement of PMDC or any other variable speed application where up to a 1000:1 constant torque speed range is required. Typical uses include: machine tools, conveyors, packaging machines, batching machines, and printing equipment.



- Features:**
- Replaces 90 volt and 180 volt PMDC motors (when used with AC variable frequency drives)
  - Constant torque operation from 0 to base speed (TENV ratings)
  - Constant torque operation from 1/20 speed to base speed (TEFC ratings)
  - Constant horsepower to twice base speed (RPM)
  - Class H insulation with CR<sup>200</sup> magnet wire
  - Removable base for C-Face footless mounting (as noted)
  - Continuous duty at 40°C ambient
  - "Quick Connect" terminal board, as noted (TENV)
  - Top mounted conduit box with pigtail leads (TEFC and 1.5 HP TENV)
  - Eliminates brush and commutator maintenance
  - UL Recognized, CSA Certified, and CE Marked
  - Three year warranty

HP	RPM	VOLTS	ENCL.	FRAME	CAT. NO.	MODEL NO.	LIST PRICE	MULT. SYMB.	F.L. AMPS	APPROX. WGT. LBS.	"C" DIM.	FOOT NOTES
1/2	1800	575	TENV	56C	Y361	56H17T2019	\$301	E3	0.7	20	10.55	Q
3/4	1800	575	TEFC	56C	Y363	56H17F2015	\$372	E3	1.1	23	11.19	
1	1800	575	TEFC	56C	Y365★	56H17F2019	\$419	E3	1.3	28	12.44	
1 1/2	1800	575	TENV	145TC	Y367	145THTR5330	\$521	E3	1.9	48	13.48	6
2	1800	575	TEFC	145TC	Y369★	145THFR5330	\$691	E3	2.3	51	14.87	6
3	1800	575	TEFC	182/145TC	Y371	182THFR5330	\$815	E3	3.4	52	14.87	86,88
	1800	575	TEFC	182TC	Y270	182THFR7730	\$850	E3	3.4	86	16.19	6
5	1800	575	TEFC	184TC	Y373	184THFR7736	\$967	E3	5.4	88	16.69	6
7 1/2	1800	575	TEFC	213TC	Y995	213THFW7736	\$1,237	E3	8.5	98	20.97	6
10	1800	575	TEFC	215TC	Y997	215THFW7736	\$1,582	E3	11.1	125	22.22	6

★ Stock Model

575 VOLT

# 575 Volt: microMAX™ AC Inverter Duty Motor 1000:1 Constant Torque (TENV), 20:1 Constant Torque (TEFC)

C-Face

HP	RPM	VOLTS	ENCL.	FRAME	CAT. NO.	MODEL NO.	LIST PRICE	MULT. SYMB.	F.L. AMPS	APPROX. WGT. LBS.	"C" DIM.	FOOT NOTES
1/2	1800	575	TENV	56C	Y375	56H17T2020	\$301	E3	0.7	19	10.55	Q
3/4	1800	575	TEFC	56C	Y377	56H17F2016	\$372	E3	1.1	21	11.19	
1	1800	575	TEFC	56C	Y379★	56H17F2020	\$419	E3	1.3	27	12.44	d

★ Stock Model

**Footnotes:**

- d To be discontinued after current stock is gone
- Q "Quick Connect" terminal board
- 6 Bolt-on, removable base for footless mounting option
- 86 2:1 constant torque speed range
- 88 182T base and shaft height, 145TC mounting face and shaft dimensions

# 575 Volt: Black Max® Vector Duty, 1000:1 Constant Torque

Totally Enclosed Non-Ventilated, C-Face with Rigid Base



**Applications:** Designed for inverter duty or vector duty applications where 1000:1 constant torque speed range is required. Typical uses include: material handling, machine tools, conveyors, crane and hoist, metal processing, test stands, pumps, compressors, textile processing, and other industrial machinery installed in dusty or dirty environments.

- Features:**
- MAX GUARD® Class F insulation system
  - Constant Torque operation from 0 to base speed on Vector Drive
  - Constant Horsepower operation, up to twice base RPM
  - Continuous duty at 40°C ambient
  - Optimized for operation with IGBT inverter (NEMA Design A)
  - Normally closed thermostats (one per phase, Class F)
  - Removable rigid base (as noted)
  - Ball bearings
  - Field reversible to F2 (except where noted)
  - Encoder and brake provisions included on opposite drive end (maximum 10 lb-ft brake, see Modifications and /or Accessory Kits sections)
  - UL Recognized, CSA Certified, and CE Marked
  - Three year warranty

HP	RPM	VOLTS	FRAME	CAT. NO.	MODEL NO.	LIST PRICE	MULT. SYMB.	F.L. AMPS	APPROX. WGT. LBS.	"C" DIM.	FOOT NOTES
1/2	1800	575	56C	Y555 *	56H17T5311	\$437	E3	0.6	28	13.48	S,6,13
1	1800	575	56C	Y556 *	56H17T5312	\$521	E3	1.2	41	14.98	S,6,13
2	1800	575	145TC	Y557 *	145THTN6060	\$898	E3	2.4	72	14.68	
3	1800	575	182TC	Y558 *	182THTL7736	\$1,113	E3	3.4	96	17.39	AL
5	1800	575	184TC	Y559 *	184THTL7736	\$1,329	E3	5.6	98	18.94	AL
7 1/2	1800	575	213TC	Y560 *	213THTL7736	\$1,745	E3	8.4	146	20.54	AL
10	1800	575	215TC	Y561 *	215THTL7736	\$2,087	E3	10.8	159	23.04	AL
15	1800	575	254TC	Y562 *	254THTL5736	\$2,484	E3	16.0	250	26.87	I,AL
20	1800	575	256TC	Y563 *	256THTNA7036	\$3,626	E3	21.6	300	27.13	I
25	1800	575	284TC	Y567 *	284THTNA7036	\$3,944	E3	24.8	495	27.08	I
30	1800	575	286TC	Y394 *	286THTNA7036	\$4,447	E3	32.0	575	28.58	I

\* Stock Model

575 VOLT

**Footnotes:**

- AL Aluminum Frame Construction
- I Reduced HP @ 120 HZ
- S Steel Frame Construction
- 6 Bolt-on, removable base for footless mounting option
- 13 F1 Mounting Only, Cannot reassemble to F2



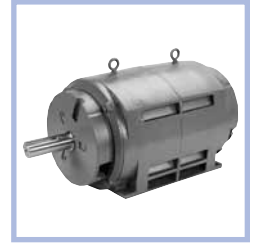
# Medium Voltage, 2300/4000 Volt

## Dripproof, Rigid Base

**Applications:** General purpose use on pumps, fans, etc. where medium voltage power is available.

**Features:**

- Cast iron construction for rigidity and reduced vibration
- Double shielded radial ball bearings rated at 100,000 hour B-10 life on direct coupled-loads
- Oversized, fabricated steel conduit box
- Ball bearings on both ends suitable for direct connection. For belted applications, contact Customer Service
- Class H insulation and form wound coils
- Epoxy, 100% solids, Vacuum Pressure Impregnation (VPI) resin
- 1.15 Service Factor (except where footnoted)



HP	RPM	VOLTS	FRAME	CAT. NO.	MODEL NO.	LIST PRICE	MULT. SYMB.	NOM. EFF.	F.L. AMPS	APPROX. WGT. LBS.	"C" DIM.	FOOT NOTES
125	900	2300/4000	449T	Y948	-----	\$31,132	S6	93.0	32.0/19.0	2375	48.25	
150	900	2300/4000	508U	Y949	-----	\$35,921	S6	94.1	41.5/24.0	2650	53.38	
200	1800	2300/4000	449T	Y950	-----	\$30,012	S6	94.1	48.0/28.0	2045	48.25	
	1200	2300/4000	449T	Y958	-----	\$32,753	S6	94.1	49.5/28.5	2350	48.25	
	900	2300/4000	508U	Y250	-----	\$41,535	S6	93.6	52.0/30.0	2950	53.38	
250	3600	2300/4000	449TS	Y954	-----	\$36,228	S6	94.1	57.0/33.0	2100	48.25	
	1800	2300/4000	449T	Y951	449TVDN6042	\$31,588	S6	94.1	59.0/34.0	2300	48.25	
	1200	2300/4000	508U	Y955	-----	\$34,482	S6	94.5	63.0/36.5	2850	53.38	
	900	2300/4000	510U	Y251	-----	\$45,145	S6	94.5	65.0/38.0	3200	56.00	
300	3600	2300/4000	449TS	Y956	-----	\$37,662	S6	94.1	69.0/40.0	2200	48.25	
	1800	2300/4000	508U	Y952	-----	\$34,474	S6	94.1	72.0/41.5	2275	48.55	
	1200	2300/4000	508U	Y942	-----	\$37,392	S6	94.5	75.0/43.0	2900	53.38	
	900	2300/4000	510U	Y252	-----	\$58,487	S6	94.5	78.0/45.0	3350	56.00	
350	3600	2300/4000	449TS	Y957	-----	\$39,110	S6	94.1	79.0/45.0	2500	48.25	
	1800	2300/4000	508U	Y953	-----	\$35,721	S6	94.1	83.0/48.0	2445	48.25	17
	1200	2300/4000	508U	Y943	-----	\$40,361	S6	94.5	83.5/48.0	3200	56.00	17
400	1800	2300/4000	508U	Y940	-----	\$36,945	S6	96.2	90.0/52.0	2850	53.38	
	1200	2300/4000	510U	Y944	-----	\$50,187	S6	95.0	94.0/54.0	3200	56.00	
450	1800	2300/4000	508US	Y911	-----	\$43,849	S6	95.0	97.0/56.5	3200	48.50	17
	1800	2300/4000	510U	Y941	-----	\$39,863	S6	96.2	101/58.0	3200	56.00	
	1200	2300/4000	510U	Y945	-----	\$58,875	S6	95.4	106/61.0	3250	56.00	
500	1800	2300/4000	510U	Y946	-----	\$48,500	S6	96.5	113/65.0	3350	56.00	
	1200	2300/4000	510U	Y947	-----	\$71,757	S6	95.4	120/69.0	3500	56.00	
600	1800	2300/4000	510U	Y253	-----	\$59,182	S6	96.5	135/78.0	3450	56.00	
700	1800	2300/4000	510U	Y254	-----	\$62,269	S6	96.5	157/90.5	3500	56.00	17

Blue shaded areas are Cast Iron Frames

**Footnotes:**

17 1.0 Service Factor

# Medium Voltage, 2300/4000 Volt Blue Chip XRI® Severe Duty

## Totally Enclosed, Rigid Base



**IP54**

**Applications:** For extreme applications in the process industries such as chemical plants, pulp and paper mills, food processing, foundries, and other severe duty environments where medium voltage power is available.

- Features:**
- Blue Chip® quality, cast iron construction for rigidity and reduced vibration
  - Double shielded radial ball bearings rated at 100,000 hour B-10 life on direct coupled-loads
  - Grease fittings with extended grease tubes
  - Epoxy, 100% solids, Vacuum Pressure Impregnation (VPI) resin
  - 1.15 Service Factor
  - Internal and external epoxy finish
  - Ball bearings on both ends suitable for direct connection. For belted applications, contact Customer Service
  - Actual test and vibration data included with each motor
  - Class F insulation and form wound coils
  - Front and rear cast iron bearing caps
  - Division 2 CSA certified for Class I, group A, B, C, D, temperature code T3 @ 1.0 Service Factor or T2B @ 1.15 Service Factor
  - IEEE-841 features available contact customer service for details

HP	RPM	VOLTS	FRAME	CAT. NO.	MODEL NO.	LIST PRICE	MULT. SYMB.	NOM. EFF.	F.L. AMPS	APPROX. WGT. LBS.	"C" DIM.	FOOT NOTES
<b>100</b>	900	2300/4000	447/9T	Y255	-----	<b>\$43,158</b>	S6	93.0	27.0/16.0	2775	51.69	
<b>125</b>	1800	2300/4000	447/9T	Y256	449TVFS16535	<b>\$36,119</b>	S6	94.1	30.0/17.0	2800	56.71	
	1200	2300/4000	447/9T	Y257	-----	<b>\$45,724</b>	S6	94.5	32.0/18.0	2900	51.69	
<b>150</b>	3600	2300/4000	447/9TS	Y903	-----	<b>\$39,381</b>	S6	93.6	34.0/19.8	2825	47.94	
	1800	2300/4000	447/9T	Y900	-----	<b>\$37,613</b>	S6	94.1	36.0/21.0	2850	51.69	
	1200	2300/4000	447/9T	Y904	-----	<b>\$47,344</b>	S6	94.5	38.0/22.0	2850	51.69	
<b>200</b>	3600	2300/4000	447/9TS	Y905	449TSVFS6504	<b>\$41,896</b>	S6	93.0	45.0/25.0	2830	52.96	
	1800	2300/4000	447/9T	Y901	-----	<b>\$39,999</b>	S6	93.6	47.0/27.0	2875	51.69	
	1200	2300/4000	447/9T	Y906	-----	<b>\$47,895</b>	S6	94.5	49.5/28.5	2875	56.71	A
<b>250</b>	1800	2300/4000	449T	Y902	449TVFS6542	<b>\$43,482</b>	S6	95.4	56.0/32.0	3375	56.71	
	1200	2300/4000	447/9T	Y907	-----	<b>\$52,961</b>	S6	95.4	61.0/35.0	2920	56.71	
<b>300</b>	1800	2300/4000	449T	Y908	449TVFS6543	<b>\$48,948</b>	S6	95.8	67.0/38.5	3500	56.71	

Blue shaded areas are Cast Iron Frames

**Footnotes:**  
A NEMA Design A

# 5000 Frame, Medium Voltage, 2300/4000 Volt Blue Chip XRI® Severe Duty

Totally Enclosed, Rigid Base

**Applications:** For extreme applications in the process industries such as chemical plants, pulp and paper mills, food processing, foundries, refineries, mines, and other severe duty environments where medium voltage power is available. **All ratings are available in 5800 Frames. Contact Customer Service for more details.**



**IP54**

**Features:**

- Blue Chip® quality, cast iron construction for rigidity and reduced vibration
- Open Conrad radial ball bearings rated at 100,000 hour B-10 life on direct coupled-loads except where footnoted
- Grease fittings with extended grease tubes
- Oversized cast iron conduit box
- Epoxy, 100% solids, Vacuum Pressure Impregnation (VPI) resin
- 1.15 Service Factor (except where footnoted)
- Front and rear cast iron bearing caps
- Provisions for jacking bolts in all four feet
- Actual test and vibration data included with each motor
- Class F insulation. Form wound coils
- Internal and external epoxy finish
- Rotating shaft seals, Inpro® Smart Rings on each end
- Provisions for dowel pins in drive end feet
- Ground provisions on foot and in the conduit box
- Frames drilled with four sets of footholes, 5009, 5010, 5011 and 5012 as standard except where footnoted
- Division 2 CSA certified for Class 1, Group A, B, C, D, temperature Code T2C @ 1.0 Service Factor
- Division 2 CSA certified for Class 1, Group A, B, C, D, temperature Code T2B @ 1.15 Service Factor
- IEEE-841 features available contact customer service for details

HP	RPM	VOLTS	FRAME	CAT. NO.	MODEL NO.	LIST PRICE	MULT. SYMB.	NOM. EFF.	F.L. AMPS	APPROX. WGT. LBS.	"C" DIM.	FOOT NOTES
125	900	2300/4000	5011LS	Y913	-----	\$49,857	S6	94.5	35.0/20.0	5500	67.19	
150	900	2300/4000	5011LS	Y914	-----	\$54,187	S6	94.5	42.0/24.0	5500	67.19	
200	1200	2300/4000	5011LS	Y920	-----	\$48,787	S6	94.5	50.0/29.0	5500	67.19	
	900	2300/4000	5011LS	Y915	-----	\$57,199	S6	95.0	56.0/32.0	5500	67.19	
250	3600	2300/4000	5011S	Y258	-----	\$51,974	S6	94.5	56.0/32.5	4775	67.19	
	1200	2300/4000	5011LX	Y921	5011LXVFS16577	\$54,337	S6	95.4	62.0/34.0	5500	73.44	
	900	2300/4000	5011LS	Y916	-----	\$58,858	S6	95.4	63.0/36.0	5500	67.19	
300	3600	2300/4000	5011S	Y259	-----	\$53,553	S6	94.5	67.0/38.5	4875	67.19	
	1800	2300/4000	5011LS	Y922	5011LSVFS6526	\$51,020	S6	95.4	71.0/41.0	5500	67.19	
	1200	2300/4000	5011LS	Y923	5011LSVFS6583	\$57,628	S6	95.4	76.0/44.0	5500	67.19	
	900	2300/4000	5013LS	Y917	-----	\$67,835	S6	95.8	78.0/45.0	5500	76.19	78
350	3600	2300/4000	5011S	Y260	-----	\$54,343	S6	94.5	77.0/45.0	4975	67.19	
	1800	2300/4000	5011LS	Y924	-----	\$51,735	S6	95.8	81.0/47.0	5500	67.19	
	1200	2300/4000	5011LS	Y925	-----	\$59,957	S6	95.8	81.0/46.5	5500	67.19	
	1200	2300/4000	5011LX	Y935	5011LXVFS6579	\$63,276	S6	95.8	81.5/47.0	5500	73.44	81
	900	2300/4000	5013LS	Y918	-----	\$76,011	S6	95.4	91.5/52.5	5500	76.19	78
400	3600	2300/4000	5011S	Y261	-----	\$59,902	S6	94.5	88.0/51.0	5075	67.19	A
	1800	2300/4000	5011LS	Y926	-----	\$55,336	S6	95.8	92.0/53.0	5500	67.19	
	1800	2300/4000	5011LX	Y936	5011LXVFS6544	\$58,627	S6	95.8	92.0/53.0	5500	73.44	81
	1200	2300/4000	5011LS	Y927	5011LSVFS16578	\$65,785	S6	95.8	92.0/53.0	5500	67.19	78
	900	2300/4000	5013LS	Y912	-----	\$91,545	S6	95.8	101/58.0	7200	76.19	78
450	3600	2300/4000	5011S	Y263	-----	\$61,908	S6	94.5	96.5/55.5	5100	67.19	17
	1800	2300/4000	5011LS	Y928	-----	\$58,940	S6	96.2	102/59.0	5100	67.19	
	1800	2300/4000	5011LX	Y937	5011LXVFS6545	\$62,229	S6	96.2	100/58.0	4975	73.44	81
	1200	2300/4000	5013LS	Y929	-----	\$71,424	S6	95.8	105/60.5	5500	67.19	78
	900	2300/4000	5013LS	Y262	-----	\$94,780	S6	95.8	119/69.0	7200	76.19	A,17,78
500	1800	2300/4000	5011LS	Y930	5011LSVFS16531	\$64,832	S6	96.5	112/64.0	5500	67.19	
	1800	2300/4000	5011LX	Y938	5011LXVFS6546	\$68,124	S6	96.5	112/64.5	5750	73.44	81
	1200	2300/4000	5013LS	Y931	-----	\$76,224	S6	96.2	115/66.0	7200	76.19	78
600	1800	2300/4000	5011LS	Y932	-----	\$85,132	S6	96.8	136/79.0	5500	67.19	
	1800	2300/4000	5011LX	Y939	5011LXVFS6547	\$88,423	S6	96.8	136/78.0	5975	73.44	81
700	1800	2300/4000	5013LS	Y933	-----	\$91,048	S6	96.5	155/89.0	7200	76.19	A,78
800	1800	2300/4000	5013LS	Y934	-----	\$97,669	S6	96.5	182/105	7200	76.19	A,17,78

Blue shaded areas are Cast Iron Frames

**Footnotes:**

- A NEMA Design A
- 17 1.0 Service Factor

- 78 Frame size drilled with two sets of footholes, 5012 and 5013 as standard.
- 81 Space heaters and 100 ohm platinum stator RTDs included.

# Brake Motors, Single Phase

## Totally Enclosed, C-Face With Removable Rigid Base



**Applications:** Conveyors, machine tools, door operators, speed reducers, cranes, hoists, and other industrial machinery requiring quick stop and/or holding torque. May be used in damp, dirty, or dusty environments.

- Features:**
- Fail-safe, spring set Stearns brake for holding or stopping
  - Brake has manual wear adjustment for longer pad life
  - Manual release lever on rear of brake housing
  - Brake leads are terminated at the brake
  - Vertical or horizontal mounting
  - Brake coil voltage matches motor voltages, see mod section for other brake coils
  - Bolt-on, easily removable rigid base
  - Ball bearings, mechanically locked on shaft end
  - 1.15 Service Factor
  - Nameplated 60/50 hertz at next lowest horsepower
  - UL Recognized and CSA Certified

HP	RPM	VOLTS	FRAME	CAT. NO.	MODEL NO.	LIST PRICE	MULT. SYMB.	F.L. AMPS	APPROX. WGT. LBS.	"C" DIM.	BRAKE RATING	FOOT NOTES
1/3	1800	115/208-230	56C	D400 *	56C17F5352	\$596	E5	6.6/3.1-3.3	33	16.20	3	2,6
1/2	1800	115/208-230	56C	D401 *	56C17F5353	\$658	E5	8.8/4.2-4.4	40	16.20	3	2,6
3/4	1800	115/208-230	56C	D402 *	56C17F5354	\$852	E5	11.0/5.4-5.5	38	16.70	6	2,6
1	1800	115/208-230	56C	D403 *	56C17F5355	\$906	E5	13.4/6.8-6.7	40	17.20	6	2,6
1 1/2	1800	115/208-230	56C	D404	56B17F5330	\$956	E5	15.2/8.2-7.6	50	19.04	10	1,6

★ Stock Model

# Brake Motors, Three Phase

## Totally Enclosed, C-Face With Rigid Base, C-Face With Removable Base



**Applications:** Same as Single Phase. (see above)

- Features:**
- In addition to the Single Phase Features above:
  - Brake has manual wear adjustment up to 25 lb-ft. for longer pad life
  - Brake leads routed through motor conduit box (TENV only)
  - Vertical or horizontal mounting up to 15 lb-ft, see mod section for larger brakes
  - CR<sup>200</sup> Corona resistant magnet wire (motor can be operated 10:1 variable torque and 2:1 constant torque)
  - 1.15 Service Factor, 1.0 Service Factor where footnoted



HP	RPM	VOLTS	FRAME	CAT. NO.	MODEL NO.	LIST PRICE	MULT. SYMB.	F.L. AMPS	APPROX. WGT. LBS.	"C" DIM.	BRAKE RATING	FOOT NOTES
1/3	1800	208-230/460	56C	D450 *	56T17F5348	\$561	E5	1.8-1.6/0.8	31	15.73	3	6
	1200	208-230/460	56C	D451	56T11F5325	\$743	E5	1.9-2.2/1.1	30	15.73	3	6
1/2	1800	208-230/460	56C	D452 *	56T17F5349	\$631	E5	2.3-2.4/1.2	30	16.23	3	6
	1200	208-230/460	56C	D453 *	56T11F5326	\$927	E5	2.4-2.7/1.4	33	16.23	6	6
3/4	1800	208-230/460	56C	D454 *	56T17F5350	\$741	E5	2.9-3.0/1.5	33	16.23	6	6
	1200	208-230/460	56C	D455 *	56T11F5327	\$1,089	E5	3.1-3.2/1.6	37	16.73	6	6
1	1800	208-230/460	56C	D456 *	56T17F5357	\$880	E5	3.5-3.6/1.8	35	16.73	6	6
	1200	208-230/460	145TC	C400	145TTFR5382	\$1,167	E5	3.95-4.0/2.0	48	17.26	10	6
1 1/2	1800	208-230/460	56C	D457 *	56T17F5358	\$977	E5	4.8-4.8/2.4	32	17.26	10	6
	1800	208-230/460	145TC	C401 *	145TTFR5360	\$977	E5	4.8-4.8/2.4	39	16.76	10	6
	1200	208-230/460	184TC	C402	184TTTL7084	\$1,301	E5	5.55-5.2/2.6	130	19.23	15	AL,F,N,82
2	1800	208-230/460	145TC	C403 *	145TTFR5359	\$906	E5	6.0-5.8/2.9	48	18.77	10	6
	1200	208-230/460	184TC	C404	184TTTL7083	\$956	E5	6.8-6.6/3.3	90	19.23	15	AL,F,N,82
3	1800	230/460	182TC	C405 *	182TTTL7034	\$1,358	E5	8.0/4.0	102	19.68	15	AL,F,N,82
5	1800	208-230/460	184TC	C406 *	184TTTL7041	\$1,836	E5	13.8-12.4/6.2	120	20.68	25	AL,F,N,17,82
7 1/2	1800	230/460	213TC	C407 *	213TTTL7034	\$2,411	E5	19.2/9.6	186	27.04	35	AL,N,17,82
10	1800	230/460	215TC	C408 *	215TTTL7050	\$3,014	E5	25.0/12.5	227	28.64	50	AL,N,17,82

★ Stock Model

**Footnotes:**

- |    |                                  |   |   |    |  |
|----|----------------------------------|---|---|----|--|
| AL | Aluminum Frame Construction      | 1 | Capacitor Start/Capacitor Run design for reduced amperage | 6  | Bolt-on, removable base for footless mounting option |
| F  | Class F insulation               |   |   | 17 | 1.0 Service Factor                                   |
| N  | Totally Enclosed, Non-Ventilated | 2 | Capacitor Start Induction Run design                      | 82 | Welded base  |

# JM Close-Coupled Pump, Single Phase

Dripproof, C-Face with Rigid Base

**Applications:** Close-coupled pumps where the pump impeller is mounted directly on the motor shaft in environments that are relatively clean and dry.

- Features:**
- NEMA JM pump shaft dimensions
  - Ball bearings, mechanically locked on shaft end
  - Capacitor start design
  - Continuous duty
  - 1.15 Service Factor
  - UL Recognized and CSA Certified



HP	RPM	VOLTS	FRAME	CAT. NO.	MODEL NO.	LIST PRICE	MULT. SYMB.	NOM. EFF.	F.L. AMPS	APPROX. WGT. LBS.	"C" DIM.	FOOT NOTES
<b>1</b>	1800	115/208-230	143JM	Z401	143TCDR5328	\$397	S2	72.0	13.4/6.8-6.7	34	13.62	2
<b>1 1/2</b>	3600	115/208-230	143JM	Z402	-----	\$367	S2	70.0	18.8/9.7-9.4	33	13.12	2
	1800	115/208-230	145JM	Z403	145TCDR5328	\$442	S2	77.0	18.0/9.3-9.0	43	14.62	2
<b>2</b>	3600	115/208-230	145JM	Z404	145TBDR5304	\$445	S2	78.5	19.2/10.5-9.6	36	13.62	1
	1800	115/230	182JM	Z405★	182TCDR7074	\$507	S2	72.0	23.0/11.5	66	16.09	2
<b>3</b>	3600	115/230	182JM	Z406★	182TCDR7318	\$563	S2	74.0	32.0/16.0	61	15.59	2
	1800	115/230	184JM	Z407★	184TCDR7047	\$658	S2	75.5	33.0/16.5	81	17.59	2
<b>5</b>	3600	230	184JM	Z408★	184TCDR7011	\$824	S2	80.0	24.0	93	17.09	2,CF
	1800	230	213JM	Z409★	213TCDW7027	\$904	S2	78.5	28.0	115	19.92	2
<b>7 1/2</b>	3600	230	213JM	Z410★	213TCDW7002	\$1,029	S2	78.5	37.0	106	18.42	2
	1800	230	215JM	Z411★	215TBDW7029	\$1,249	S2	84.0	34.5	120	19.92	1
<b>10</b>	3600	230	215JM	Z412★	215TCDW7002	\$1,324	S2	81.5	47.0	132	19.92	2
	1800	230	215JM	Z413★	215TBDW7027	\$1,514	S2	82.5	44.0	147	21.17	1

★ Stock Model

# JM Close-Coupled Pump, Single Phase

Totally Enclosed, C-Face with Rigid Base

**Applications:** Close-coupled pumps where the pump impeller is mounted directly on the motor shaft in damp, dusty, or dirty environments.

- Features:**
- NEMA JM pump shaft dimensions
  - Ball bearings, mechanically locked on shaft end
  - Capacitor start design
  - Continuous duty
  - 1.0 Service Factor except where footnoted
  - UL Recognized and CSA Certified

HP	RPM	VOLTS	FRAME	CAT. NO.	MODEL NO.	LIST PRICE	MULT. SYMB.	NOM. EFF.	F.L. AMPS	APPROX. WGT. LBS.	"C" DIM.	FOOT NOTES
<b>5</b>	3600	230	184JM	Z433★	184TBFR7315	\$853	S2	80.0	22.4	87	19.75	1
<b>7 1/2</b>	3600	230	213JM	Z434★	213TBFW7010	\$1,145	S2	81.5	32.0	90	20.59	1
<b>10</b>	3600	230	215JM	Z435★	215TBFW7010	\$1,395	S2	85.5	41.5	236	22.09	1,18

★ Stock Model

**Footnotes:**

- CF Consult Factory for Accessory Kit and/or Modification Selection
- 1 Capacitor Start/Capacitor Run design for reduced amperage
- 2 Capacitor Start Induction Run design
- 18 1.15 Service Factor



# JM Close-Coupled Pump, Three Phase

Dripproof, C-Face/Vertical and C-Face with Rigid Base



**Applications:** Close-coupled pumps where the pump impeller is mounted directly on the motor shaft in environments that are relatively clean and dry.

- Features:**
- NEMA JM pump shaft dimensions
  - JMV frame includes drip cover for vertical mount without base
  - JM frame has rigid base, drip cover not included
  - Ball bearings, mechanically locked on shaft end
  - Continuous duty
  - 1.15 Service Factor
  - UL Recognized and CSA Certified
  - UL Listed for Fire Pump applications except where footnoted



Suitable for use on VFD per guidelines on page ??.

HP	RPM	VOLTS	FRAME	CAT. NO.	MODEL NO.	LIST PRICE	MULT. SYMB.	NOM. EFF.	F.L. AMPS	APPROX. WGT. LBS.	"C" DIM.	FOOT NOTES
<b>1</b>	1800	200	143JM	<b>E115</b>	143TTDR4040	<b>\$329</b>	S2	82.5	3.6	41	14.62	
	1800	200	143JMV	<b>E117</b>	143TTDR4041	<b>\$367</b>	S2	82.5	3.6	40	14.92	27
	1800	208-230/460	143JM	M301★	143TTDR5336	<b>\$263</b>	S2	77.0	3.5-3.6/1.8	30	13.12	
	1800	208-230/460	143JM	M302★	143TTDR5334	<b>\$301</b>	S2	77.0	3.5-3.6/1.8	27	13.42	27
	1800	230/460	143JM	<b>E100</b>	143TTDR4035	<b>\$329</b>	S2	82.5	3.1/1.55	44	14.62	
	1800	230/460	143JMV	<b>E118</b>	143TTDR4034	<b>\$367</b>	S2	82.5	3.1/1.55	40	14.92	27
	1800	575	143JM	<b>E116</b>	143TTDR4047	<b>\$329</b>	S2	82.5	1.1	40	14.62	
	1800	575	143JMV	<b>E119</b>	143TTDR4046	<b>\$367</b>	S2	82.5	1.1	40	14.92	27
<b>1 1/2</b>	3600	200	143JM	<b>E120</b>	143TTDR4016	<b>\$376</b>	S2	82.5	5.5	40	13.12	
	3600	200	143JMV	<b>E122</b>	143TTDR4017	<b>\$414</b>	S2	82.5	5.5	41	12.92	27
	3600	208-230/460	143JM	M303★	143TTDR5309	<b>\$300</b>	S2	80.0	4.9-5.0/2.5	27	13.12	
	3600	208-230/460	143JMV	M304	143TTDR5310	<b>\$339</b>	S2	80.0	4.9-5.0/2.5	35	12.92	27
	3600	230/460	143JM	<b>E123</b>	143TTDR4009	<b>\$376</b>	S2	82.5	4.8/2.4	28	13.12	
	3600	575	143JM	<b>E121</b>	143TTDR4022	<b>\$376</b>	S2	82.5	1.9	28	13.12	
	3600	575	143JMV	<b>E124</b>	143TTDR4024	<b>\$414</b>	S2	82.5	1.9	28	12.92	27
	1800	200	145JM	<b>E125</b>	145TTDR4040	<b>\$359</b>	S2	84.0	5.0	41	14.62	
	1800	200	145JMV	<b>E127</b>	145TTDR4041	<b>\$399</b>	S2	84.0	5.0	39	14.92	27
	1800	208-230/460	145JM	M305★	145TTDR5348	<b>\$287</b>	S2	80.0	4.8-4.8/2.4	31	13.12	
	1800	208-230/460	145JM	M306★	145TTDR5346	<b>\$325</b>	S2	80.0	4.8-4.8/2.4	31	13.42	27
	1800	230/460	145JM	<b>E102</b>	145TTDR4034	<b>\$359</b>	S2	84.0	4.4/2.2	44	14.62	
	1800	230/460	145JMV	<b>E128</b>	145TTDR4035	<b>\$399</b>	S2	84.0	4.4/2.2	39	14.92	27
	1800	575	145JM	<b>E126</b>	145TTDR4072	<b>\$359</b>	S2	84.0	1.8	41	14.62	
	1800	575	145JMV	<b>E129</b>	145TTDR4047	<b>\$399</b>	S2	84.0	1.8	40	14.92	27
	<b>2</b>	3600	200	145JM	<b>E130</b>	145TTDR4015	<b>\$422</b>	S2	84.0	6.2	43	13.12
3600		200	145JMV	<b>E132</b>	145TTDR4016	<b>\$461</b>	S2	84.0	6.2	32	13.42	27
3600		208-230/460	145JM	M307★	145TTDR5313	<b>\$337</b>	S2	80.0	6.4-6.2/3.1	30	13.12	
3600		208-230/460	145JMV	M308★	145TTDR5314	<b>\$376</b>	S2	80.0	6.4-6.2/3.1	35	12.92	27
3600		230/460	145JM	<b>E103</b>	-----	<b>\$422</b>	S2	84.0	5.4/2.7	43	13.12	
3600		230/460	145JMV	<b>E133</b>	145TTDR4010	<b>\$461</b>	S2	84.0	5.4/2.7	44	13.42	27
3600		575	145JM	<b>E131</b>	145TTDR4021	<b>\$422</b>	S2	84.0	2.2	32	13.12	
3600		575	145JMV	<b>E134</b>	145TTDR4022	<b>\$461</b>	S2	84.0	2.2	32	13.42	27
1800		200	145JM	<b>E135</b>	145TTDR4066	<b>\$376</b>	S2	84.0	6.7	45	15.12	
1800		200	145JMV	<b>E137</b>	145TTDR4067	<b>\$414</b>	S2	84.0	6.7	42	15.42	27
1800		208-230/460	145JM	M309★	145TTDR5352	<b>\$300</b>	S2	81.5	6.2-6.2/3.1	38	14.12	
1800		208-230/460	145JM	M310★	145TTDR5350	<b>\$339</b>	S2	81.5	6.2-6.4/3.2	37	14.42	27
1800		230/460	145JM	<b>E104</b>	145TTDR4060	<b>\$376</b>	S2	84.0	5.8/2.9	48	15.12	
1800		230/460	145JMV	<b>E138</b>	145TTDR4051	<b>\$414</b>	S2	84.0	5.8/2.9	44	15.42	27
1800		575	145JM	<b>E136</b>	145TTDR4046	<b>\$376</b>	S2	84.0	2.3	45	15.12	
1800		575	145JMV	<b>E139</b>	145TTDR4073	<b>\$414</b>	S2	84.0	2.3	43	15.42	27

★ Stock Model

Catalog numbers (Cat No.) highlighted in bold blue have efficiency levels that meet or exceed U.S. EPAAct and/or NRCan Canadian standards.

Footnotes:  
27 Drip Cover included

Continued on next page.

# JM Close-Coupled Pump, Three Phase

Dripproof, C-Face/Vertical and C-Face Rigid Base

PUMP MOTORS

HP	RPM	VOLTS	FRAME	CAT. NO.	MODEL NO.	LIST PRICE	MULT. SYMB.	NOM. EFF.	F.L. AMPS	APPROX. WGT. LBS.	"C" DIM.	FOOT NOTES
<b>3</b>	3600	200	145JM	<b>E140</b>	145TTDR4115	\$472	S2	84.0	10.0	34	13.62	
	3600	200	145JMV	<b>E142</b>	145TTDR4307	\$511	S2	84.0	10.0	34	13.92	27
	3600	208-230/460	145JM	M311 ★	145TTDR5315	\$378	S2	84.0	8.9-8.4/4.2	35	13.62	
	3600	208-230/460	145JM	M312 ★	145TTDR5316	\$417	S2	84.0	8.9-8.4/4.2	39	13.92	27
	3600	230/460	145JM	<b>E105</b>	145TTDR4303	\$472	S2	84.0	8.4/4.2	47	13.62	
	3600	230/460	145JMV	<b>E143</b>	145TTDR4110	\$511	S2	84.0	8.4/4.2	34	13.92	27
	3600	575	145JM	<b>E141</b>	145TTDR4121	\$472	S2	84.0	3.5	34	13.62	
	3600	575	145JMV	<b>E144</b>	145TTDR4025	\$511	S2	84.0	3.5	33	13.92	27
	1800	200	182JM	<b>E145</b>	182TTDR4140	\$438	S2	86.5	9.4	93	17.09	
	1800	200	182JMV	<b>E147</b>	182TTDR4036	\$516	S2	86.5	9.9	78	18.87	27
	1800	208-230/460	182JM	M313 ★	182TTDB7355	\$367	S2	80.0	9.6-10/5.0	58	13.87	DS,98
	1800	208-230/460	182JM	M360 ★	182TTDR5336	\$351	S2	84.0	9.2-8.6/4.3	56	16.59	d
	1800	208-230/460	182JMV	M361 ★	182TTDR5337	\$430	S2	84.0	9.2-8.6/4.3	56	16.94	13,27
	1800	208-230/460	182JMV	M314 ★	182TTDR7350	\$447	S2	81.5	9.4-9.0/4.5	57	17.87	d,27
	1800	208-230/460	182JMV	M1314 ★	182TTDB7350	\$447	S2	81.5	9.4-9.0/4.5	57	17.87	DS,27,98
	1800	230/460	182JM	<b>E106</b>	182TTDR4033	\$438	S2	86.5	9.2/4.6	70	16.09	
	1800	230/460	182JMV	<b>E148</b>	182TTDR4135	\$516	S2	86.5	9.2/4.6	80	18.87	27
	1800	575	182JM	<b>E146</b>	182TTDR4146	\$438	S2	86.5	3.45	89	16.09	
	1800	575	182JMV	<b>E149</b>	182TTDR4147	\$516	S2	86.5	3.45	94	17.18	27
<b>5</b>	3600	200	182JM	<b>E150</b>	182TTDR4116	\$566	S2	86.5	13.8	72	16.09	
	3600	200	182JMV	<b>E152</b>	182TTDR4117	\$642	S2	86.5	13.8	78	16.68	27
	3600	208-230/460	182JM	M362 ★	182TTDR5303	\$453	S2	84.0	13.5-12.4/6.2	60	18.87	13
	3600	208-230/460	182JM	M315 ★	182TTDR7325	\$468	S2	82.5	14.2-13.2/6.6	55	14.82	d,98,CF
	3600	208-230/460	182JM	M1315 ★	182TTDB7325	\$468	S2	82.5	14.2-13.2/6.6	55	14.82	DS,98
	3600	208-230/460	182JMV	M363 ★	182TTDR5304	\$532	S2	84.0	13.5-12.4/6.2	56	16.94	27
	3600	208-230/460	182JMV	M316 ★	182TTDR7601	\$549	S2	82.5	14.2-13.2/6.6	54	19.24	d,27,98,CF
	3600	208-230/460	182JMV	M1316 ★	182TTDB7601	\$549	S2	82.5	14.2-13.2/6.6	54	19.24	DS,27,98
	3600	230/460	182JM	<b>E107</b> ★	182TTDR4002	\$566	S2	86.5	12.0/6.0	87	16.35	d
	3600	230/460	182JMV	<b>E153</b>	182TTDR4111	\$642	S2	86.5	12.0/6.0	78	18.87	27
	3600	575	182JM	<b>E151</b>	182TTDR4122	\$566	S2	86.5	4.8	79	16.09	
	3600	575	182JMV	<b>E154</b>	182TTDR4123	\$642	S2	86.5	4.8	73	16.68	27
	1800	200	184JM	<b>E155</b>	184TTDR4140	\$566	S2	87.5	15.1	78	16.59	13
	1800	200	184JMV	<b>E157</b>	184TTDR4141	\$642	S2	87.5	14.5	78	19.37	27
	1800	208-230/460	184JM	M317 ★	184TTDB7357	\$453	S2	82.5	14.8-13.4/6.7	70	16.35	98,DS
	1800	208-230/460	184JMV	M318 ★	184TTDB7356	\$532	S2	86.5	16.5-15.4/7.7	65	18.87	27,98,DS
	1800	230/460	184JM	<b>E108</b>	184TTDR4034	\$566	S2	87.5	13.2/6.6	75	17.09	13
	1800	230/460	184JMV	<b>E158</b>	184TTDR4135	\$642	S2	87.5	13.2/6.6	78	17.18	27
	1800	575	184JM	<b>E156</b>	184TTDR4146	\$566	S2	87.5	5.3	89	17.59	13
1800	575	184JMV	<b>E159</b>	184TTDR4147	\$642	S2	87.5	5.2	83	19.37	27	
<b>7 1/2</b>	3600	200	184JM	<b>E160</b>	184TTDR4115	\$680	S2	87.5	20.2	87	17.09	13
	3600	200	184JMV	<b>E162</b>	184TTDR4116	\$758	S2	87.5	20.2	89	19.87	27
	3600	208-230/460	184JM	M319 ★	184TTDR7322	\$543	S2	84.0	19.8-18.4/9.2	68	15.82	d,98,CF
	3600	208-230/460	184JM	M1319 ★	184TTDB7322	\$543	S2	84.0	19.8-18.4/9.2	68	15.82	DS,98
	3600	208-230/460	184JMV	M320 ★	184TTDR7325	\$622	S2	84.0	19.8-18.4/9.2	67	20.24	d,27,98,CF
	3600	208-230/460	184JMV	M1320 ★	184TTDB7325	\$622	S2	84.0	19.8-18.4/9.2	67	20.24	DS,27,98
	3600	230/460	184JM	<b>E109</b>	184TTDR4002	\$680	S2	87.5	17.6/8.8	89	17.09	13
	3600	230/460	184JMV	<b>E163</b>	184TTDR4110	\$758	S2	87.5	17.6/8.8	79	19.87	27
	3600	575	184JM	<b>E161</b>	184TTDR4121	\$680	S2	87.5	7.2	105	17.09	
	3600	575	184JMV	<b>E164</b>	184TTDR4122	\$758	S2	87.5	7.2	106	17.68	27

★ Stock Model

Catalog numbers (Cat No.) highlighted in bold blue have efficiency levels that meet or exceed U.S. EPA and/or NRC Canadian standards.

**Footnotes:**

- d To be discontinued after current stock is gone
- CF Consult Factory for Accessory Kit and/or Modification Selection
- DS Sourced
- 13 F1 Mounting Only, Cannot reassemble to F2
- 27 Drip Cover included
- 98 Not UL Listed for Fire Pump applications

Continued on next page.

# JM Close-Coupled Pump, Three Phase

## Dripproof, C-Face/Vertical and C-Face with Rigid Base

HP	RPM	VOLTS	FRAME	CAT. NO.	MODEL NO.	LIST PRICE	MULT. SYMB.	NOM. EFF.	F.L. AMPS	APPROX. WGT. LBS.	"C" DIM.	FOOT NOTES
<b>7 1/2</b>	1800	200	213JM	<b>E165</b>	213TTDW4042	\$638	S2	88.5	22.1	118	19.16	
	1800	200	213JMV	<b>E167</b>	213TTDW4033	\$718	S2	88.5	22.1	96	20.44	27
	1800	208-230/460	213JM	M321★	213TTDBA7047	\$654	S2	87.5	22.0-20.4/10.2	100	17.66	98,DS
	1800	208-230/460	213JMV	M322★	213TTDW7048	\$758	S2	84.0	22.0-21.6/10.8	88	18.94	d,27
	1800	208-230/460	213JMV	M1322★	213TTDBA7048	\$758	S2	84.0	22.0-21.6/10.8	88	18.94	DS,27,98
	1800	230/460	213JM	<b>E110</b>	213TTDW4047	\$818	S2	88.5	19.2/9.6	100	19.16	
	1800	230/460	213JMV	<b>E168</b>	213TTDW4048	\$718	S2	88.5	19.2/9.6	121	20.44	27
	1800	575	213JM	<b>E166</b>	213TTDW4041	\$638	S2	88.5	7.6	120	19.16	
	1800	575	213JMV	<b>E169</b>	213TTDW4038	\$921	S2	88.5	7.7	142	20.44	27
<b>10</b>	3600	200	213JM	<b>E170</b>	213TTDW4009	\$874	S2	88.5	26.9	131	19.16	
	3600	200	213JMV	<b>E172</b>	213TTDW4008	\$976	S2	88.5	26.9	112	20.44	27
	3600	208-230/460	213JM	M323★	213TTDW7022	\$699	S2	85.5	28.0-25.0/12.5	96	17.66	d
	3600	208-230/460	213JM	M1323★	213TTDBA7022	\$699	S2	85.5	28.0-25.0/12.5	96	17.66	DS,98
	3600	208-230/460	213JMV	M324★	213TTDW7023	\$801	S2	85.5	28.0-25.0/12.5	91	18.94	27
	3600	230/460	213JM	<b>E111</b>	213TTDW4022	\$874	S2	88.5	23.4/11.7	135	19.16	
	3600	230/460	213JMV	<b>E173</b>	213TTDW4023	\$976	S2	88.5	23.4/11.7	132	20.44	27
	3600	575	213JM	<b>E171</b>	213TTDW4010	\$874	S2	88.5	9.3	153	19.16	
	3600	575	213JMV	<b>E174</b>	213TTDW4007	\$976	S2	88.5	9.3	125	20.44	27
	1800	200	215JM	<b>E175</b>	215TTDW4041	\$970	S2	89.5	28.7	124	19.16	
	1800	200	215JMV	<b>E177</b>	215TTDW4043	\$1,072	S2	89.5	28.7	128	20.44	27
	1800	208-230/460	215JM	M325★	215TTDBA7047	\$776	S2	88.5	28.4-26.4/13.2	150	19.16	98,DS
	1800	208-230/460	215JMV	M326★	215TTDW7048	\$879	S2	87.5	29.2-26.4/13.2	132	20.44	27
	1800	230/460	215JM	<b>E112★</b>	215TTDW4047	\$970	S2	89.5	25.0/12.5	135	19.16	d
	1800	230/460	215JMV	<b>E178</b>	215TTDW4048	\$1,072	S2	89.5	25.0/12.5	135	20.44	27
	1800	575	215JM	<b>E176</b>	215TTDW4042	\$970	S2	89.5	10.0	125	19.16	
1800	575	215JMV	<b>E179</b>	215TTDW4032	\$1,072	S2	89.5	10.0	118	20.44	27	
<b>15</b>	3600	200	215JM	<b>E180</b>	215TTDW4008	\$1,080	S2	90.2	39.0	128	20.41	13
	3600	200	215JMV	<b>E182</b>	215TTDW4010	\$1,183	S2	90.2	39.0	160	21.69	27
	3600	208-230/460	215JM	M327★	215TTDW7022	\$863	S2	86.5	42.0-38.0/19.0	105	19.16	d
	3600	208-230/460	215JM	M1327★	215TTDBA7022	\$863	S2	86.5	42.0-38.0/19.0	105	19.16	
	3600	208-230/460	215JMV	M328★	215TTDW7023	\$967	S2	86.5	42.0-38.0/19.0	105	20.44	27
	3600	230/460	215JM	<b>E113</b>	215TTDW4022	\$1,080	S2	90.2	34.0/17.0	131	20.41	13
	3600	230/460	215JMV	<b>E183</b>	215TTDW4023	\$1,183	S2	90.2	34.0/17.0	127	21.69	27
	3600	575	215JM	<b>E181</b>	215TTDW4009	\$1,080	S2	90.2	13.6	159	20.41	13
	3600	575	215JMV	<b>E184</b>	215TTDW4007	\$1,183	S2	90.2	13.6	127	21.69	27
	1800	200	254JM	<b>E185</b>	254TTDX4343	\$1,312	S2	91.0	44.0	268	24.17	
	1800	200	254JMV	<b>E187</b>	254TTDX4345	\$1,461	S2	91.0	44.2	263	25.45	27
	1800	208-230/460	254JM	M329★	254TTDX7044	\$1,049	S2	87.5	43.0-39.2/19.6	235	22.42	
	1800	208-230/460	254JMV	M353★	254TTDX7046	\$1,197	S2	87.5	43.0-39.2/19.6	155	23.70	27
	1800	230/460	254JM	<b>E114</b>	-----	\$1,312	S2	91.0	38.4/19.2	200	25.42	
	1800	230/460	254JMV	<b>E188</b>	254TTDX4039	\$1,461	S2	91.0	38.5/19.2	220	25.45	27
	1800	575	254JM	<b>E186</b>	254TTDX4344	\$970	S2	91.0	15.3	200	24.17	
1800	575	254JMV	<b>E189</b>	-----	\$1,072	S2	91.0	15.4	205	25.45	27	
<b>20</b>	3600	200	254JM	<b>E190</b>	254TTDX4007	\$1,080	S2	91.0	53.1	204	24.17	
	3600	200	254JMV	<b>E193</b>	254TTDX4015	\$1,512	S2	91.0	53.1	185	23.70	27
	3600	208-230/460	254JM	M330★	254TTDX7008	\$1,089	S2	88.5	52.6-47.0/23.5	156	22.42	
	3600	208-230/460	254JMV	M354	-----	\$1,238	S2	88.5	52.6-47.0/23.5	155	23.70	27
	3600	230/460	254JM	<b>E191</b>	254TTDX4006	\$1,363	S2	91.0	46.0/23.1	213	22.42	
	3600	230/460	254JMV	<b>E194</b>	254TTDX4020	\$1,512	S2	91.0	46.0/23.1	187	23.70	27
	3600	575	254JM	<b>E192</b>	254TTDX4019	\$1,363	S2	91.0	18.5	225	22.42	
	3600	575	254JMV	<b>E195</b>	254TTDX4024	\$1,512	S2	91.0	18.5	225	23.70	27

★ Stock Model

Catalog numbers (Cat No.) highlighted in bold blue have efficiency levels that meet or exceed U.S. EPA and/or NRC Canadian standards.

**Footnotes:**

- d To be discontinued after current stock gone  
DS Sourced  
13 F1 Mounting Only, Cannot reassemble to F2  
27 Drip Cover included  
98 Not UL Listed for Fire Pump applications

Continued on next page.

# JM Close-Coupled Pump, Three Phase

## Drip-proof, C-Face/Vertical and C-Face with Rigid Base

HP	RPM	VOLTS	FRAME	CAT. NO.	MODEL NO.	LIST PRICE	MULT. SYMB.	NOM. EFF.	F.L. AMPS	APPROX. WGT. LBS.	"C" DIM.	FOOT NOTES
<b>20</b>	1800	200	256JMV	<b>E199</b>	256TTDX4329	<b>\$1,730</b>	S2	91.0	60.0	235	25.45	27
	1800	208-230/460	256JM	M331★	256TTDX7074	<b>\$1,266</b>	S2	88.5	56.4-53.0/26.5	230	24.17	
	1800	230/460	256JM	<b>E197</b>	256TTDX4075	<b>\$1,583</b>	S2	91.0	52.0/26	128	24.17	
	1800	230/460	256JMV	<b>U100</b>	256TTDX4041	<b>\$1,730</b>	S2	91.0	50.0/25	196	25.45	27
	1800	575	256JM	<b>E198</b>	256TTDX4326	<b>\$1,583</b>	S2	91.0	20.8	238	24.17	
	1800	575	256JMV	<b>U101</b>	256TTDX4047	<b>\$1,730</b>	S2	91.0	20.8	188	25.45	27
<b>25</b>	3600	200	256JM	<b>U102</b>	256TTDX4021	<b>\$1,603</b>	S2	91.0	66.5	225	24.17	
	3600	208-230/460	256JM	M332★	256TTDX7011	<b>\$1,282</b>	S2	89.5	66.0-61.0/30.5	168	24.17	
	3600	230/460	256JM	<b>U103</b>	256TTDX4006	<b>\$1,603</b>	S2	91.0	58.0/29	126	24.17	
	3600	575	256JM	<b>U104</b>	256TTDX4019	<b>\$1,603</b>	S2	91.0	23.2	195	24.17	
	1800	208	284JM	<b>U105</b>	284TTDP4043	<b>\$1,914</b>	S2	91.7	67.5	358	24.31	
	1800	230/460	284JM	M333★	284TTDP7338	<b>\$1,532</b>	S2	87.5	66.0/33.0	330	24.31	
	1800	230/460	284JM	<b>U106</b>	284TTDP4069	<b>\$1,914</b>	S2	91.7	61.0/30.5	360	24.31	
	1800	575	284JM	<b>U107</b>	284TTDP4037	<b>\$1,914</b>	S2	91.0	24.5	349	24.31	
<b>30</b>	3600	200	284JM	<b>U108</b>	284TTDP4025	<b>\$1,954</b>	S2	91.0	83.0	318	24.31	
	3600	230/460	284JM	M334★	284TTDP7605	<b>\$1,562</b>	S2	88.5	73.0/36.5	325	24.31	
	3600	230/460	284JM	<b>U109</b>	-----	<b>\$1,954</b>	S2	91.0	77.0/36.0	318	24.31	
	3600	575	284JM	<b>U110</b>	284TTDP4023	<b>\$1,954</b>	S2	91.0	28.8	315	24.31	
	1800	200	286JM	<b>U111</b>	286TTDP4067	<b>\$2,211</b>	S2	92.4	83.0	410	25.81	
	1800	230/460	286JM	M351★	286TTDP8626	<b>\$1,768</b>	S2	89.5	79.0/39.5	350	25.81	
	1800	230/460	286JM	<b>U112</b>	286TTDP4037	<b>\$2,211</b>	S2	92.4	72.0/36.0	385	25.81	
	1800	575	286JM	<b>U113</b>	286TTDP4047	<b>\$2,211</b>	S2	92.4	28.8	364	25.81	
<b>40</b>	3600	230/460	286JM	M335★	286TTDP7317	<b>\$1,957</b>	S2	88.5	100/50.0	327	25.81	
	3600	230/460	286JM	<b>U114</b>	286TTDP4015	<b>\$2,446</b>	S2	91.7	94.0/47.0	575	25.81	
	3600	575	286JM	<b>U115</b>	286TTDP4021	<b>\$2,446</b>	S2	91.7	38.0	386	25.81	
	1800	230/460	324JM	M352★	324TTDP8631	<b>\$2,311</b>	S2	89.5	106/53.0	385	26.25	
	1800	230/460	324JM	<b>U116</b>	324TTDP4345	<b>\$2,889</b>	S2	93.0	97.0/48.5	340	26.25	
	1800	575	324JM	<b>U117</b>	324TTDP4349	<b>\$2,888</b>	S2	93.0	39.0	491	26.25	
<b>50</b>	3600	230/460	324JM	<b>U118</b>	324TTDP4004	<b>\$3,129</b>	S2	92.4	117/58.5	460	26.25	
	3600	230/460	324JM	M358★	324TTDP7320	<b>\$2,668</b>	S2	89.5	124/62.0	433	26.25	
	3600	575	324JM	<b>U119</b>	324TTDP4018	<b>\$3,129</b>	S2	92.4	47.0	437	26.25	
	1800	230/460	326JM	<b>U120</b>	326TTDP4329	<b>\$3,337</b>	S2	93.0	123/61.5	525	27.75	
	1800	575	326JM	<b>U121</b>	326TTDP4326	<b>\$3,337</b>	S2	93.0	47.5	504	27.75	

Blue shaded areas are Cast Iron Frames

★ **Stock Model**

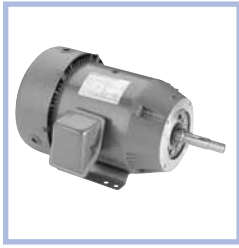
Catalog numbers (Cat No.) highlighted in bold blue have efficiency levels that meet or exceed U.S. EPA and/or NRC Canadian standards.

**Footnotes:**

27 Drip Cover included

# JM Close-Coupled Pump, Three Phase

## Totally Enclosed, C- Face with Rigid Base



**Applications:** Close-coupled pumps where the pump impeller is mounted directly on the motor shaft in damp, dusty, or dirty environments.

- Features:**
- NEMA JM pump shaft dimensions
  - Ball bearings, mechanically locked on shaft end
  - Continuous duty
  - 1.15 Service Factor
  - UL Recognized and CSA Certified



Suitable for use on VFD per guidelines on page ??.

HP	RPM	VOLTS	FRAME	CAT. NO.	MODEL NO.	LIST PRICE	MULT. SYMB.	NOM. EFF.	F.L. AMPS	APPROX. WGT. LBS.	"C" DIM.	FOOT NOTES
<b>1</b>	1800	200	143JM	<b>U300</b>	143TTFR4040	<b>\$408</b>	S2	82.5	3.5	37	15.00	
	1800	208-230/460	143JM	M401★	143TTFR5332	<b>\$328</b>	S2	77.0	3.5-3.6/1.8	31	14.50	
	1800	230/460	143JM	<b>U301</b>	143TTFR4034	<b>\$408</b>	S2	82.5	3.0/1.5	35	15.00	
	1800	575	143JM	<b>U302</b>	143TTFR4046	<b>\$408</b>	S2	82.5	1.2	41	15.00	
<b>1 1/2</b>	3600	200	143JM	<b>U303</b>	143TTFR4015	<b>\$480</b>	S2	82.5	4.6	41	15.00	
	3600	208-230/460	143JM	M415	143TTFR5303	<b>\$384</b>	S2	80.0	4.7-4.6/2.3	30	14.50	
	3600	230/460	143JM	<b>U304</b>	143TTFR4007	<b>\$480</b>	S2	82.5	4.0/2.0	41	15.00	
	3600	575	143JM	<b>U305</b>	143TTFR4021	<b>\$480</b>	S2	82.5	1.6	41	15.00	
	1800	200	145JM	<b>U306</b>	145TTFR4048	<b>\$447</b>	S2	84.0	5.1	45	16.50	
	1800	208-230/460	145JM	M402★	145TTFR5336	<b>\$358</b>	S2	80.0	4.8-4.8/2.4	33	14.50	
	1800	230/460	145JM	<b>U307</b>	145TTFR4045	<b>\$447</b>	S2	84.0	4.4/2.2	46	16.50	
	1800	575	145JM	<b>U308</b>	145TTFR4054	<b>\$447</b>	S2	84.0	1.8	45	16.50	
<b>2</b>	3600	200	145JM	<b>U309</b>	145TTFR4017	<b>\$520</b>	S2	84.0	6.0	47	15.50	
	3600	208-230/460	145JM	M403★	145TTFR5303	<b>\$414</b>	S2	80.0	6.0-6.0/3.0	33	14.50	
	3600	230/460	145JM	<b>U310</b>	145TTFR4011	<b>\$520</b>	S2	84.0	5.2/2.6	47	15.50	
	3600	575	145JM	<b>U311</b>	145TTFR4023	<b>\$520</b>	S2	84.0	2.1	39	15.50	
	1800	200	145JM	<b>U312</b>	145TTFR4050	<b>\$468</b>	S2	84.0	6.4	48	16.00	
	1800	208-230/460	145JM	M404★	145TTFR5338	<b>\$375</b>	S2	82.5	6.0-5.8/2.9	43	16.00	
	1800	230/460	145JM	<b>U313</b>	145TTFR4044	<b>\$468</b>	S2	84.0	5.6/2.8	47	16.00	
	1800	575	145JM	<b>U314</b>	145TTFR4128	<b>\$468</b>	S2	84.0	2.2	47	16.00	
<b>3</b>	3600	200	182JM	<b>U315</b>	182TTFR4015	<b>\$596</b>	S2	85.5	8.5	77	17.35	
	3600	208-230/460	145JM	M418★	145TTFR5310	<b>\$426</b>	S2	84.0	8.4-7.6/3.8	43	15.50	
	3600	208-230/460	182JM	M405★	182TTFR5302	<b>\$476</b>	S2	84.0	8.4-7.6/3.8	49	16.47	
	3600	230/460	182JM	<b>U316</b>	182TTFR4009	<b>\$596</b>	S2	85.5	7.4/3.7	89	17.35	
	3600	575	182JM	<b>U317</b>	182TTFR4021	<b>\$596</b>	S2	85.5	2.95	81	17.35	
	1800	208-230/460	182JM	M422★	182TTFR5330	<b>\$436</b>	S2	85.5	9.2-8.6/4.3	58	17.97	
	1800	208-230/460	182JM	M406	182TTFR7757	<b>\$453</b>	S2	82.5	9.0-8.4/4.2	65	17.35	
	1800	230/460	182JM	<b>U319</b>	182TTFR4044	<b>\$545</b>	S2	87.5	8.4/4.2	77	17.85	
	1800	575	182JM	<b>U320</b>	182TTFR4056	<b>\$545</b>	S2	87.5	3.35	79	18.35	
<b>5</b>	3600	230/460	184JM	M423★	184TTFR5302	<b>\$567</b>	S2	84.0	13.4-12.6/6.3	62	17.97	98,17
	3600	208-230/460	184JM	M407★	184TTFR7908	<b>\$584</b>	S2	85.5	13.6-12.4/6.2	77	15.69	CF
	3600	230/460	184JM	<b>U322</b>	184TTFR4009	<b>\$708</b>	S2	87.5	12.4/6.2	118	18.35	
	3600	575	184JM	<b>U323</b>	184TTFR4021	<b>\$708</b>	S2	87.5	4.9	82	18.35	
	1800	208-230/460	184JM	M408★	184TTFR7760	<b>\$567</b>	S2	84.0	14.4-13.2/6.6	81	19.35	
	1800	230/460	184JM	<b>U325</b>	184TTFR4042	<b>\$708</b>	S2	87.5	12.6/6.3	82	18.85	
	1800	575	184JM	<b>U326</b>	184TTFR4056	<b>\$708</b>	S2	87.5	5.2	89	18.85	
<b>7 1/2</b>	3600	200	213JM	<b>U327</b>	213TTFW4009	<b>\$883</b>	S2	88.5	21.1	125	22.09	
	3600	208-230/460	184JM	M416★	184TTFR8915	<b>\$624</b>	S2	85.5	20.0-19.0/9.5	86	18.85	
	3600	208-230/460	213JM	M409★	213TTFW7022	<b>\$705</b>	S2	84.0	21.2-19.2/9.6	98	20.59	
	3600	230/460	213JM	<b>U329</b>	213TTFW4022	<b>\$883</b>	S2	88.5	18.4/9.2	148	22.09	
	3600	575	213JM	<b>U331</b>	213TTFW4010	<b>\$883</b>	S2	88.5	7.3	147	22.09	
	1800	208-230/460	213JM	M410★	213TTFW7047	<b>\$807</b>	S2	87.5	22.0-19.4/9.7	106	20.59	
	1800	230/460	213JM	<b>U334</b>	213TTFW4047	<b>\$1,009</b>	S2	89.5	20.0/10.0	131	20.59	
	1800	575	213JM	<b>U335</b>	213TTFW4038	<b>\$1,009</b>	S2	89.5	8.0	225	20.59	

★ Stock Model

Catalog numbers (Cat No.) highlighted in bold blue have efficiency levels that meet or exceed U.S. EPA and/or NRC Canadian standards.

**Footnotes:**

- CF Consult Factor for Accessory Kit and/or Modification Selection
- 17 1.0 Service Factor
- 98 Not UL Listed for Fire Pump applications

Continued on next page.



# JM Close-Coupled Pump, Three Phase

Totally Enclosed, C-Face with Rigid Base

HP	RPM	VOLTS	FRAME	CAT. NO.	MODEL NO.	LIST PRICE	MULT. SYMB.	NOM. EFF.	F.L. AMPS	APPROX. WGT. LBS.	"C" DIM.	FOOT NOTES
<b>10</b>	3600	200	215JM	<b>U336</b>	215TTFW4014	<b>\$1,080</b>	S2	89.5	27.6	128	22.09	
	3600	208-230/460	215JM	M411★	215TTFW7303	<b>\$863</b>	S2	86.5	27.0-24.0/12.0	143	22.09	
	3600	230/460	215JM	<b>U337</b>	215TTFW4022	<b>\$1,080</b>	S2	89.5	24.0/12.0	142	22.09	
	3600	575	215JM	<b>U338</b>	215TTFW4015	<b>\$1,080</b>	S2	89.5	9.6	158	22.09	
	1800	200	215JM	<b>U339</b>	215TTFW4035	<b>\$1,207</b>	S2	89.5	29.9	130	22.09	
	1800	208-230/460	215JM	M412★	215TTFW7047	<b>\$964</b>	S2	88.5	28.0-25.0/12.5	140	22.09	
	1800	230/460	215JM	<b>U340</b>	215TTFW4047	<b>\$1,207</b>	S2	89.5	25.6/12.8	135	22.09	
	1800	575	215JM	<b>U341</b>	215TTFW4036	<b>\$1,207</b>	S2	89.5	10.4	128	22.09	
<b>15</b>	3600	208-230/460	215JM	M417★	215TTFW7022	<b>\$1,028</b>	S2	88.5	40.0-37.0/18.5	143	22.09	
	3600	208-230/460	254JM	M413★	254TTFL5004	<b>\$1,080</b>	S2	85.5	41.0-36.0/18.0	170	26.49	AL
	3600	230/460	254JM	<b>U344</b>	254TTFL4006	<b>\$1,350</b>	S2	91.0	35.0/17.5	138	24.74	AL
	3600	575	254JM	<b>U346</b>	254TTFL4010	<b>\$1,350</b>	S2	90.2	14.0	195	24.74	AL
	1800	200	254JM	<b>U347</b>	254TTFL4034	<b>\$1,637</b>	S2	91.0	46.0	225	24.74	AL
	1800	208-230/460	254JM	M420★	254TTFL5751	<b>\$1,309</b>	S2	88.5	43.0-38.5/19.3	197	26.49	AL
	1800	230/460	254JM	<b>U348</b>	254TTFL4031	<b>\$1,637</b>	S2	91.0	40.0/20.0	224	24.74	AL
	1800	575	254JM	<b>U349</b>	254TTFL4036	<b>\$1,637</b>	S2	91.0	16.0	220	24.74	AL
<b>20</b>	3600	200	256JM	<b>U350</b>	256TTFL4010	<b>\$1,817</b>	S2	90.2	54.1	185	26.49	AL
	3600	230/460	256JM	M414★	256TTFL5023	<b>\$1,454</b>	S2	88.5	49.6/24.8	185	26.49	AL
	3600	230/460	256JM	<b>U351</b>	256TTFL4006	<b>\$1,817</b>	S2	90.2	47.0/23.5	185	26.49	AL
	3600	575	256JM	<b>U352</b>	256TTFL4012	<b>\$1,817</b>	S2	90.2	18.8	185	26.49	AL
	1800	200	256JM	<b>U353</b>	256TTFL4036	<b>\$1,987</b>	S2	91.0	58.7	232	28.49	AL
	1800	230/460	256JM	<b>U354</b>	256TTFL4031	<b>\$1,987</b>	S2	91.0	51.0/25.5	247	28.49	AL
	1800	230/460	256JM	M421★	256TTFL5055	<b>\$1,589</b>	S2	88.5	52.0/26.0	232	26.49	AL
	1800	575	256JM	<b>U355</b>	256TTFL4038	<b>\$1,987</b>	S2	91.0	20.4	232	28.49	AL

★ Stock Model

Catalog numbers (Cat No.) highlighted in bold blue have efficiency levels that meet or exceed U.S. EPA and/or NRC Canadian standards.

**Footnotes:**

AL Aluminum Frame Construction

# JP Close-Coupled Pump, Single Phase

Drip-proof, C-Face with Rigid Base



**Applications:** Close-coupled pumps where the pump impeller is mounted directly on the motor shaft in environments that are relatively clean and dry.

- Features:**
- NEMA JP pump shaft dimensions
  - Ball bearings, mechanically locked on shaft end
  - Capacitor start design
  - Continuous duty
  - 1.15 Service Factor
  - UL Recognized and CSA Certified

HP	RPM	VOLTS	FRAME	CAT. NO.	MODEL NO.	LIST PRICE	MULT. SYMB.	NOM. EFF.	F.L. AMPS	APPROX. WGT. LBS.	"C" DIM.	FOOT NOTES
<b>1</b>	1800	115/208-230	143JP	Z420	143TCDR5330	\$367	S2	72.0	13.4/6.8-6.7	35	16.68	2,95
<b>1 1/2</b>	3600	115/208-230	143JP	Z421	-----	\$367	S2	75.5	17.4/9.0-8.7	33	16.18	2,95
	1800	115/208-230	145JP	Z422	145TCDR5329	\$442	S2	77.0	18.6/9.9-9.3	43	17.68	2,95
<b>2</b>	3600	115/208-230	145JP	Z423	-----	\$445	S2	78.5	19.2/10.5-9.6	40	16.68	1,95
	1800	115/230	182JP	Z424	182TCDR7354	\$563	S2	72.0	23.0/11.5	78	19.15	2,95
<b>3</b>	3600	115/230	182JP	Z425	182TCDR8005	\$563	S2	74.0	32.0/16.0	87	18.65	2,95
	1800	115/230	184JP	Z426	184TCDR7626	\$658	S2	75.5	33.0/16.5	94	20.65	2,95
<b>5</b>	3600	230	184JP	Z427*	184TCDR7909	\$824	S2	80.0	24.0	86	20.15	2,95
	1800	230	213JP	Z428	213TCDW7028	\$904	S2	78.5	28.0	130	23.79	2,95
<b>7 1/2</b>	3600	230	213JP	Z429*	213TCDW7003	\$1,029	S2	78.5	37.0	118	22.29	2,95
	1800	230	215JP	Z430	215TBDW7045	\$1,249	S2	84.0	34.5	132	23.79	1,95
<b>10</b>	3600	230	215JP	Z431*	215TCDW7004	\$1,324	S2	81.5	47.0	135	23.79	2,95
	1800	230	215JP	Z432	215TBDW7030	\$1,514	S2	82.5	44.0	325	25.04	1,95

\* Stock Model

**Footnotes:**

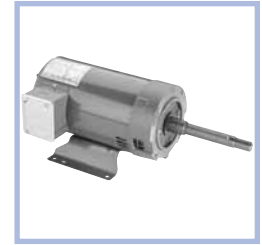
- 1 Capacitor Start/Capacitor Run design for reduced amperage  
 2 Capacitor Start Induction Run design  
 95 Will not accept drip cover kit

# JP Close-Coupled Pump, Three Phase

## Drip-proof, C-Face/Vertical and C-Face with Rigid Base

**Applications:** Close-coupled pumps where the pump impeller is mounted directly on the motor shaft in environments that are relatively clean and dry.

- Features:**
- NEMA JP pump shaft dimensions
  - JPV frame includes drip cover for vertical mount without base
  - JP frame has rigid base, drip cover not included
  - Ball bearings, mechanically locked on shaft end
  - Continuous duty
  - 1.15 Service Factor
  - UL Recognized and CSA Certified
  - UL Listed for Fire Pump applications except where footnoted



Suitable for use on VFD per guidelines on page 14.

HP	RPM	VOLTS	FRAME	CAT. NO.	MODEL NO.	LIST PRICE	MULT. SYMB.	NOM. EFF.	F.L. AMPS	APPROX. WGT. LBS.	"C" DIM.	FOOT NOTES
<b>1</b>	1800	200	143JP	<b>U122</b>	143TTDR4042	\$329	S2	82.5	3.6	40	17.68	
	1800	200	143JPV	<b>U125</b>	143TTDR4043	\$367	S2	82.5	3.6	41	17.98	27
	1800	208-230/460	143JP	M101	143TTDR5338	\$263	S2	77.0	3.5-3.6/1.8	32	16.18	
	1800	208-230/460	143JPV	M102	143TTDR5337	\$301	S2	77.0	3.5-3.6/1.8	28	16.48	27
	1800	230/460	143JP	<b>U123</b>	143TTDR4036	\$329	S2	82.5	3.1/1.55	40	17.68	
	1800	230/460	143JPV	<b>U126</b>	143TTDR4037	\$367	S2	82.5	3.1/1.55	41	17.98	27
	1800	575	143JP	<b>U124</b>	143TTDR4048	\$329	S2	82.5	1.1	42	17.68	
	1800	575	143JPV	<b>U127</b>	143TTDR4049	\$367	S2	82.5	1.1	41	17.98	27
<b>1 1/2</b>	3600	200	143JP	<b>U128</b>	143TTDR4018	\$376	S2	82.5	5.5	40	16.18	
	3600	200	143JPV	<b>U131</b>	143TTDR4019	\$414	S2	82.5	5.5	41	15.98	27
	3600	208-230/460	143JP	M103	143TTDR5307	\$300	S2	80.0	4.9-5.0/2.5	30	16.18	
	3600	208-230/460	143JPV	M104	-----	\$339	S2	80.0	4.9-5.0/2.5	28	15.98	27
	3600	230/460	143JP	<b>U129</b>	143TTDR4010	\$376	S2	82.5	4.8/2.4	40	16.18	
	3600	230/460	143JPV	<b>U132</b>	143TTDR4011	\$414	S2	82.5	4.8/2.4	41	15.98	27
	3600	575	143JP	<b>U130</b>	143TTDR4023	\$376	S2	82.5	1.9	40	16.18	
	3600	575	143JPV	<b>U133</b>	143TTDR4025	\$414	S2	82.5	1.9	41	15.98	27
	1800	200	145JP	<b>U134</b>	145TTDR4042	\$359	S2	84.0	5.0	44	17.68	
	1800	200	145JPV	<b>U137</b>	145TTDR4043	\$399	S2	84.0	5.0	47	17.98	27
	1800	208-230/460	145JP	M105★	145TTDR5354	\$287	S2	80.0	4.8-4.8/2.4	33	16.18	
	1800	208-230/460	145JPV	M106	-----	\$325	S2	80.0	4.8-4.8/2.4	33	16.48	27
	1800	230/460	145JP	<b>U135</b>	145TTDR4061	\$359	S2	84.0	4.4/2.2	44	17.68	
	1800	230/460	145JPV	<b>U138</b>	145TTDR4037	\$399	S2	84.0	4.4/2.2	41	17.98	27
	1800	575	145JP	<b>U136</b>	145TTDR4048	\$359	S2	84.0	1.8	42	17.68	
	1800	575	145JPV	<b>U139</b>	145TTDR4049	\$399	S2	84.0	1.8	45	17.98	27
<b>2</b>	3600	200	145JP	<b>U140</b>	145TTDR4017	\$339	S2	84.0	6.2	43	16.18	
	3600	200	145JPV	<b>U143</b>	145TTDR4018	\$461	S2	84.0	6.2	44	16.48	27
	3600	208-230/460	145JP	M107	-----	\$337	S2	80.0	6.4-6.2/3.1	35	16.18	
	3600	208-230/460	145JPV	M108	-----	\$376	S2	80.0	6.4-6.2/3.1	34	15.98	27
	3600	230/460	145JP	<b>U141</b>	145TTDR4011	\$422	S2	84.0	5.4/2.7	43	16.18	
	3600	230/460	145JPV	<b>U144</b>	145TTDR4012	\$461	S2	84.0	5.4/2.7	44	16.48	27
	3600	575	145JP	<b>U142</b>	145TTDR4023	\$422	S2	84.0	2.2	34	16.18	
	3600	575	145JPV	<b>U145</b>	145TTDR4024	\$461	S2	84.0	2.2	44	16.48	27
	1800	200	145JP	<b>U146</b>	145TTDR4068	\$376	S2	84.0	6.7	45	18.18	
	1800	200	145JPV	<b>U149</b>	145TTDR4069	\$414	S2	84.0	6.7	45	18.48	27
	1800	208-230/460	145JP	M109★	145TTDR5356	\$300	S2	81.5	6.2-6.2/3.1	35	17.18	
	1800	208-230/460	145JP	M110	145TTDR5355	\$339	S2	81.5	6.2-6.2/3.1	37	17.48	27
	1800	230/460	145JP	<b>U147</b>	145TTDR4036	\$376	S2	84.0	5.8/2.9	45	18.18	
	1800	230/460	145JPV	<b>U150</b>	145TTDR4062	\$414	S2	84.0	5.8/2.9	44	18.48	27
	1800	575	145JP	<b>U148</b>	145TTDR4074	\$376	S2	84.0	2.3	45	18.18	
	1800	575	145JPV	<b>U151</b>	145TTDR4075	\$414	S2	84.0	2.3	44	18.48	27

★ Stock Model

Catalog numbers (Cat No.) highlighted in bold blue have efficiency levels that meet or exceed U.S. EPA and/or NRC Canadian standards.

**Footnotes:**  
27 Drip Cover included

Continued on next page.

# JP Close-Coupled Pump, Three Phase

## Drip-proof, C-Face/Vertical and C-Face with Rigid Base

HP	RPM	VOLTS	FRAME	CAT. NO.	MODEL NO.	LIST PRICE	MULT. SYMB.	NOM. EFF.	F.L. AMPS	APPROX. WGT. LBS.	"C" DIM.	FOOT NOTES
<b>3</b>	3600	200	145JP	<b>U152</b>	145TTDR4117	\$472	S2	84.0	10.0	47	16.68	
	3600	200	145JPV	<b>U155</b>	145TTDR4118	\$511	S2	84.0	10.0	48	16.98	27
	3600	208-230/460	145JP	M111*	145TTDR5319	\$378	S2	84.0	8.9-8.4/4.2	35	16.68	
	3600	208-230/460	145JPV	M112	-----	\$417	S2	84.0	8.9-8.4/4.2	36	16.98	27
	3600	230/460	145JP	<b>U153</b>	145TTDR4111	\$472	S2	84.0	8.4/4.2	36	16.68	
	3600	230/460	145JPV	<b>U156</b>	145TTDR4112	\$511	S2	84.0	8.4/4.2	48	16.98	27
	3600	575	145JP	<b>U154</b>	145TTDR4123	\$472	S2	84.0	3.5	47	16.68	
	3600	575	145JPV	<b>U157</b>	145TTDR4124	\$511	S2	84.0	3.5	48	16.98	27
	1800	200	182JP	<b>U158</b>	182TTDR4142	\$438	S2	86.5	9.4	93	19.66	
	1800	200	182JPV	<b>U161</b>	182TTDR4143	\$516	S2	86.5	9.4	94	19.91	27
	1800	208-230/460	182JP	M113	182TTDR7356	\$367	S2	81.5	9.2-9.0/4.5	74	18.41	
	1800	208-230/460	182JP	M170*	182TTDR5338	\$351	S2	84.0	9.2-8.6/4.3	57	19.65	13
	1800	208-230/460	182JPV	M171	182TTDR5339	\$430	S2	84.0	9.2-8.6/4.3	59	20.00	13,27
	1800	230/460	182JP	<b>U159</b>	182TTDR4136	\$438	S2	86.5	8.2/4.1	93	19.91	
	1800	230/460	182JPV	<b>U162</b>	182TTDR4048	\$516	S2	86.5	8.6/4.3	102	19.84	27
	1800	575	182JP	<b>U160</b>	182TTDR4148	\$438	S2	86.5	3.45	93	19.66	
	1800	575	182JPV	<b>U163</b>	182TTDR4149	\$516	S2	86.5	3.45	94	19.91	27
<b>5</b>	3600	200	182JP	<b>U164</b>	182TTDR4118	\$566	S2	86.5	13.8	108	19.16	13
	3600	200	182JPV	<b>U167</b>	182TTDR4119	\$642	S2	86.5	13.8	109	19.84	27
	3600	208-230/460	182JP	M172*	182TTDR5305	\$453	S2	88.5	13.5-12.4/6.2	62	19.65	13
	3600	208-230/460	182JP	M114*	182TTDR7605	\$468	S2	82.5	15.0-14.0/7.0	81	18.41	
	3600	208-230/460	182JPV	M173	-----	\$532	S2	82.5	13.5-12.4/6	73	18.98	13,27
	3600	230/460	182JP	<b>U165</b>	182TTDR4811	\$566	S2	86.5	12.0/6.0	108	19.65	
	3600	230/460	182JPV	<b>U168</b>	182TTDR4113	\$642	S2	86.5	12.0/6.0	85	19.84	13,27
	3600	575	182JP	<b>U166</b>	182TTDR4124	\$566	S2	86.5	4.8	56	19.16	13
	3600	575	182JPV	<b>U169</b>	182TTDR4125	\$642	S2	86.5	4.8	109	19.84	27
	1800	200	184JP	<b>U170</b>	184TTDR4142	\$566	S2	87.5	14.5	84	20.41	13
	1800	200	184JPV	<b>U173</b>	184TTDR4143	\$642	S2	87.5	14.5	116	20.84	27
	1800	208-230/460	184JP	M115*	184TTDR7358	\$453	S2	82.5	14.4-14.2/7.1	74	17.38	98,CF
	1800	208-230/460	184JPV	M163	184TTDR8039	\$532	S2	82.5	14.5-13.4/6.7	87	19.84	27,98
	1800	230/460	184JP	<b>U171</b>	184TTDR4136	\$566	S2	87.5	12.6/6.3	115	20.41	
	1800	230/460	184JPV	<b>U174</b>	-----	\$642	S2	87.5	12.6/6.3	116	20.84	27
	1800	575	184JP	<b>U172</b>	184TTDR4148	\$566	S2	87.5	5.3	69	20.16	13
	1800	575	184JPV	<b>U175</b>	184TTDR4149	\$642	S2	87.5	5.0	116	20.84	27
<b>7 1/2</b>	3600	200	184JP	<b>U176</b>	184TTDR4117	\$680	S2	87.5	20.7	105	20.16	13
	3600	200	184JPV	<b>U179</b>	184TTDR4118	\$758	S2	87.5	20.2	106	20.84	27
	3600	208-230/460	184JP	M116*	184TTDR7604	\$543	S2	84.5	21.0-19.4/9.7	70	19.41	98
	3600	208-230/460	184JPV	M164	-----	\$622	S2	84.5	21.0-19.4/9.7	89	19.84	27,98
	3600	230/460	184JP	<b>U177</b>	184TTDR4111	\$680	S2	87.5	18.0/9.0	105	20.41	13
	3600	230/460	184JPV	<b>U180</b>	184TTDR4112	\$758	S2	87.5	17.6/8.8	106	20.32	27
	3600	575	184JP	<b>U178</b>	184TTDR4123	\$680	S2	87.5	7.2	105	20.16	
	3600	575	184JPV	<b>U181</b>	184TTDR4124	\$758	S2	87.5	7.2	106	20.32	27
	1800	200	213JP	<b>U182</b>	213TTDW4044	\$818	S2	88.5	22.1	137	23.03	
	1800	200	213JPV	<b>U185</b>	213TTDW4051	\$921	S2	88.5	22.1	123	24.31	27
	1800	208-230/460	213JP	M117*	213TTDW7049	\$654	S2	84.0	22.0-21.6/10.8	111	21.53	
	1800	208-230/460	213JP	M165	213TTDW7050	\$758	S2	84.0	22.0-21.6/10.8	123	22.81	27
	1800	230/460	213JP	<b>U183</b>	213TTDW4049	\$818	S2	88.5	19.2/9.6	141	23.03	
	1800	230/460	213JPV	<b>U186</b>	213TTDW4037	\$921	S2	88.5	19.4/9.2	142	23.03	27
	1800	575	213JP	<b>U184</b>	213TTDW4039	\$818	S2	88.5	7.6	140	23.03	
	1800	575	213JPV	<b>U187</b>	213TTDW4052	\$921	S2	88.5	7.7	142	24.31	27

\* Stock Model

Catalog numbers (Cat No.) highlighted in bold blue have efficiency levels that meet or exceed U.S. EPA and/or NRC Canadian standards.

**Footnotes:**

- CF Consult Factory for Accessory Kit and/or Modification Selection
- 13 F1 Mounting Only, Cannot reassemble to F2
- 27 Drip Cover included
- 98 Not UL Listed

Continued on next page.

# JP Close-Coupled Pump, Three Phase

## Drip-proof, C-Face/Vertical and C-Face with Rigid Base

HP	RPM	VOLTS	FRAME	CAT. NO.	MODEL NO.	LIST PRICE	MULT. SYMB.	NOM. EFF.	F.L. AMPS	APPROX. WGT. LBS.	"C" DIM.	FOOT NOTES
<b>10</b>	3600	200	213JP	<b>U188</b>	213TTDW4011	<b>\$874</b>	S2	88.5	26.9	140	23.03	
	3600	200	213JPV	<b>U191</b>	213TTDW4013	<b>\$976</b>	S2	88.5	26.9	142	24.31	27
	3600	208-230/460	213JP	M118★	213TTDW7024	<b>\$699</b>	S2	85.5	28.0-25.0/12.5	100	21.53	
	3600	208-230/460	213JPV	M166	213TTDW7025	<b>\$801</b>	S2	85.5	27.6-25.0/12.5	128	22.81	27
	3600	230/460	213JP	<b>U189</b>	213TTDW4024	<b>\$874</b>	S2	88.5	23.4/11.7	140	23.03	
	3600	230/460	213JPV	<b>U192</b>	213TTDW4025	<b>\$976</b>	S2	88.5	23.4/11.7	142	24.31	27
	3600	575	213JP	<b>U190</b>	213TTDW4012	<b>\$874</b>	S2	88.5	9.4	140	23.03	
	3600	575	213JPV	<b>U193</b>	213TTDW4014	<b>\$976</b>	S2	88.5	9.3	130	24.31	27
	1800	200	215JP	<b>U194</b>	215TTDW4044	<b>\$970</b>	S2	89.5	28.8	148	23.03	
	1800	200	215JPV	<b>U197</b>	215TTDW4053	<b>\$1,072</b>	S2	89.5	28.8	163	24.31	27
	1800	208-230/460	215JP	M119★	215TTDW7049	<b>\$776</b>	S2	87.5	29.0-26.4/13.2	115	23.03	
	1800	208-230/460	215JPV	M167	215TTDW7050	<b>\$879</b>	S2	87.5	29.2-26.4/13.2	141	24.31	27
	1800	230/460	215JP	<b>U195</b>	215TTDW4049	<b>\$970</b>	S2	89.5	25.0/12.5	148	23.03	
	1800	230/460	215JPV	<b>U198</b>	215TTDW4050	<b>\$1,072</b>	S2	89.5	25.0/12.5	225	24.31	27
	1800	575	215JP	<b>U196</b>	215TTDW4051	<b>\$970</b>	S2	89.5	10.0	135	23.03	
	1800	575	215JPV	<b>U199</b>	215TTDW4052	<b>\$1,072</b>	S2	89.0	10.0	150	24.31	27
<b>15</b>	3600	200	215JP	<b>U200</b>	215TTDW4011	<b>\$1,080</b>	S2	90.2	39.0	170	24.28	
	3600	200	215JPV	<b>U203</b>	215TTDW4013	<b>\$1,183</b>	S2	90.2	39.1	172	25.56	27
	3600	208-230/460	215JP	M120★	215TTDW7024	<b>\$863</b>	S2	86.5	42.0-38.0/19.0	117	23.03	
	3600	208-230/460	215JPV	M168	215TTDW7025	<b>\$967</b>	S2	86.5	42.0-38.0/19.0	129	24.31	27
	3600	230/460	215JP	<b>U201</b>	215TTDW4024	<b>\$1,080</b>	S2	90.2	34.0/17.0	220	24.28	
	3600	230/460	215JPV	<b>U204</b>	215TTDW4025	<b>\$1,183</b>	S2	90.2	34.0/17.0	135	25.56	27
	3600	575	215JP	<b>U202</b>	215TTDW4012	<b>\$1,080</b>	S2	90.2	13.6	168	24.28	
	3600	575	215JPV	<b>U205</b>	215TTDW4014	<b>\$1,183</b>	S2	90.2	13.6	215	25.56	27
	1800	200	254JP	<b>U206</b>	254TTDX4074	<b>\$1,312</b>	S2	91.0	44.0	220	27.04	
	1800	200	254JPV	<b>U209</b>	254TTDX4060	<b>\$1,461</b>	S2	91.0	44.0	198	28.33	27
	1800	208-230/460	254JP	M121★	254TTDX7042	<b>\$1,049</b>	S2	87.5	43.0-39.2/19.6	158	25.29	
	1800	208-230/460	254JPV	M122★	254TTDX7043	<b>\$1,197</b>	S2	87.5	43.0-39.2/19.6	174	26.58	27
	1800	230/460	254JP	<b>U207</b>	254TTDX4075	<b>\$1,312</b>	S2	91.0	38.5/19.2	214	27.04	
	1800	230/460	254JPV	<b>U210</b>	254TTDX4041	<b>\$1,461</b>	S2	91.0	38.5/19.2	224	28.33	27
	1800	575	254JP	<b>U208</b>	254TTDX4340	<b>\$1,312</b>	S2	91.0	15.4	260	27.04	
	1800	575	254JPV	<b>U211</b>	254TTDX4341	<b>\$1,461</b>	S2	91.0	15.4	220	28.33	27
<b>20</b>	3600	200	254JP	<b>U212</b>	254TTDX4014	<b>\$1,363</b>	S2	91.0	53.1	200	25.29	
	3600	200	254JPV	<b>U215</b>	254TTDX4010	<b>\$1,512</b>	S2	91.0	53.1	200	26.58	27
	3600	208-230/460	254JP	M123★	254TTDX7007	<b>\$1,089</b>	S2	88.5	52.6-47.0/23.5	210	25.29	
	3600	208-230/460	254JPV	M169	-----	<b>\$1,238</b>	S2	88.5	52.6-47.0/23.5	158	26.58	27
	3600	230/460	254JP	<b>U213</b>	254TTDX4017	<b>\$1,363</b>	S2	91.0	46.0/23.1	235	25.29	
	3600	230/460	254JPV	<b>U216</b>	254TTDX4012	<b>\$1,512</b>	S2	91.0	46.0/23.1	150	26.58	27
	3600	575	254JP	<b>U214</b>	254TTDX4008	<b>\$1,363</b>	S2	91.0	18.0	203	25.29	
	3600	575	254JPV	<b>U217</b>	254TTDX4016	<b>\$1,512</b>	S2	91.0	18.5	200	26.58	27
	1800	200	256JP	<b>U218</b>	256TTDX4064	<b>\$1,583</b>	S2	91.0	60.0	225	27.04	
	1800	200	256JPV	<b>U221</b>	256TTDX4065	<b>\$1,730</b>	S2	91.0	59.8	240	28.33	27
	1800	208-230/460	256JP	M124★	256TTDX7054	<b>\$1,266</b>	S2	88.5	56.4-52.8/26.4	250	27.04	
	1800	230/460	256JP	<b>U219</b>	256TTDX4063	<b>\$1,583</b>	S2	91.0	52.0/26.0	328	27.04	
	1800	230/460	256JPV	<b>U222</b>	-----	<b>\$1,730</b>	S2	91.0	52.0/26.0	240	28.33	27
	1800	575	256JP	<b>U220</b>	256TTDX4328	<b>\$1,583</b>	S2	91.0	20.8	236	27.04	
1800	575	256JPV	<b>U223</b>	256TTDX4059	<b>\$1,730</b>	S2	91.0	20.8	220	28.33	27	
<b>25</b>	3600	200	256JP	<b>U224</b>	256TTDX4022	<b>\$1,603</b>	S2	91.0	66.7	235	27.04	
	3600	208-230/460	256JP	M125★	256TTDX7009	<b>\$1,282</b>	S2	89.5	66.0-61.0/30.5	270	27.04	
	3600	230/460	256JP	<b>U225</b>	256TTDX4004	<b>\$1,603</b>	S2	91.0	58.0/29.0	185	27.04	
	3600	575	256JP	<b>U226</b>	256TTDX4023	<b>\$1,603</b>	S2	91.0	23.2	255	27.04	

★ Stock Model

Catalog numbers (Cat No.) highlighted in bold blue have efficiency levels that meet or exceed U.S. EPA and/or NRC Canadian standards.

Continued on next page.

**Footnotes:**  
27 Drip Cover included



## JP Close-Coupled Pump, Three Phase

### Dripproof, C-Face/Vertical and C-Face with Rigid Base

HP	RPM	VOLTS	FRAME	CAT. NO.	MODEL NO.	LIST PRICE	MULT. SYMB.	NOM. EFF.	F.L. AMPS	APPROX. WGT. LBS.	"C" DIM.	FOOT NOTES
<b>25</b>	1800	200	284JP	<b>U227</b>	284TTDP4044	<b>\$1,914</b>	S2	91.7	70.0	420	27.18	
	1800	230/460	284JP	M126★	284TTDP7072	<b>\$1,532</b>	S2	87.5	66.0/33.0	306	27.18	
	1800	230/460	284JP	<b>U228</b>	284TTDP4058	<b>\$1,914</b>	S2	91.7	61.0/30.5	349	27.18	
	1800	575	284JP	<b>U229</b>	284TTDP4045	<b>\$1,914</b>	S2	91.7	24.5	348	27.18	
<b>30</b>	3600	200	284JP	<b>U230</b>	284TTDP4011	<b>\$1,954</b>	S2	91.0	83.0	361	27.18	
	3600	230/460	284JP	M127★	284TTDP7302	<b>\$1,562</b>	S2	88.5	73.0/36.5	305	27.18	
	3600	230/460	284JP	<b>U231</b>	284TTDP4022	<b>\$1,954</b>	S2	91.0	72.0/36.0	368	27.18	
	3600	575	284JP	<b>U232</b>	284TTDP4012	<b>\$1,954</b>	S2	91.0	29.0	428	27.18	
	1800	200	286JP	<b>U233</b>	286TTDP4048	<b>\$2,211</b>	S2	92.4	83.0	330	28.68	
	1800	230/460	286JP	M128★	286TTDP7054	<b>\$1,729</b>	S2	89.5	79.0/39.5	324	28.68	
	1800	230/460	286JP	<b>U234</b>	286TTDP4074	<b>\$2,211</b>	S2	92.4	72.0/36.0	364	28.68	
	1800	575	286JP	<b>U235</b>	286TTDP4049	<b>\$2,211</b>	S2	92.4	28.8	364	28.68	
<b>40</b>	3600	230/460	286JP	M129★	286TTDP7018	<b>\$1,957</b>	S2	88.5	100/50.0	324	28.68	
	3600	230/460	286JP	<b>U236</b>	286TTDP4020	<b>\$2,446</b>	S2	91.7	94.0/47.0	428	28.68	
	3600	575	286JP	<b>U237</b>	286TTDP4024	<b>\$2,446</b>	S2	91.7	38.0	327	28.68	
	1800	230/460	324JP	<b>U238</b>	324TTDP4348	<b>\$2,889</b>	S2	93.0	97.0/48.5	487	29.12	
	1800	230/460	324JP	M130★	324TTDP7073	<b>\$2,311</b>	S2	89.5	106/53.0	563	29.12	
	1800	575	324JP	<b>U239</b>	324TTDP4033	<b>\$2,889</b>	S2	93.0	39.0	491	29.12	
<b>50</b>	3600	230/460	324JP	M133★	324TTDP8610	<b>\$2,504</b>	S2	89.5	124/62.0	562	29.12	
	3600	230/460	324JP	<b>U240</b>	324TTDP4002	<b>\$3,129</b>	S2	92.4	117/58.5	478	29.12	
	3600	575	324JP	<b>U241</b>	324TTDP4011	<b>\$3,149</b>	S2	92.4	47.0	437	29.12	
	1800	230/460	326JP	M131★	326TTDP7330	<b>\$2,668</b>	S2	90.2	130/65.0	475	30.62	
	1800	230/460	326JP	<b>U242</b>	326TTDP4340	<b>\$3,337</b>	S2	93.0	123/61.5	585	30.62	
	1800	575	326JP	<b>U243</b>	326TTDP4032	<b>\$3,337</b>	S2	93.0	49.0	490	30.62	

Blue shaded areas are Cast Iron Frames

★ Stock Model

Catalog numbers (Cat No.) highlighted in bold blue have efficiency levels that meet or exceed U.S. EPA and/or NRC Canadian standards.

## JP Close-Coupled Pump, Three Phase

### Totally Enclosed, C-Face with Rigid Base



**Applications:** Close-coupled pumps where the pump impeller is mounted directly on the motor shaft in damp, dusty, or dirty environments.

- Features:**
- More ratings available, contact Marathon for price and availability
  - NEMA JP pump shaft dimensions
  - Ball bearings, mechanically locked on shaft end
  - Continuous duty
  - 1.15 Service Factor
  - UL Recognized and CSA Certified



Suitable for use on VFD per guidelines on page 19.

HP	RPM	VOLTS	FRAME	CAT. NO.	MODEL NO.	LIST PRICE	MULT. SYMB.	NOM. EFF.	F.L. AMPS	APPROX. WGT. LBS.	"C" DIM.	FOOT NOTES
<b>7 1/2</b>	3600	200	213JP	<b>U328</b>	213TTFW4011	<b>\$883</b>	S2	89.5	21.2	85	25.96	
	3600	208-230/460	184JP	M216★	184TTFR8914	<b>\$624</b>	S2	85.5	20.0-19.0/9.5	84	21.91	
	3600	230/460	213JP	<b>U330</b>	213TTFW4024	<b>\$883</b>	S2	89.5	18.4/9.2	153	24.46	
	3600	575	213JP	<b>U332</b>	213TTFW4012	<b>\$883</b>	S2	89.5	7.4	85	25.96	
<b>15</b>	3600	200	254JP	<b>U343</b>	254TTFL4009	<b>\$1,350</b>	S2	91.0	40.3	259	27.60	AL
	3600	208-230/460	215JP	M217★	215TTFW7024	<b>\$1,028</b>	S2	88.5	40.0-37.0/18.5	187	25.96	
	3600	208-230/460	254JP	M213★	254TTFL5003	<b>\$1,080</b>	S2	85.5	41.0-36.0/18.0	188	27.60	AL
	3600	230/460	254JP	<b>U345</b>	254TTFL4007	<b>\$1,350</b>	S2	91.0	35.0/17.5	259	27.60	AL
	3600	575	254JP	<b>U356</b>	254TTFL4011	<b>\$1,350</b>	S2	91.0	14.0	259	27.60	AL

★ Stock Model

Catalog numbers (Cat No.) highlighted in bold blue have efficiency levels that meet or exceed U.S. EPA and/or NRC Canadian standards.

**Footnotes:**  
AL Aluminum Frame Construction

Continued on next page.

# Swimming Pool Pump, Single Phase

Dripproof, C-Face

**Applications:** For use on commercial pool pump systems.

- Features:**
- UL "1081" Design
  - NEMA pool motor Service Factors
  - External ground lugs
  - Double sealed ball bearings
  - PSC design
  - Fixed CW rotation, viewed opposite shaft end
  - Automatic reset thermal protector
  - Class F insulation
  - 50 degrees C ambient
  - 56C = Keyed shaft, shaft slinger, C-face round body
  - 56J = Threaded shaft, shaft slinger, C-face round body
  - 304 stainless steel shaft on all models
  - UL Recognized and CSA Certified



HP	RPM	VOLTS	FRAME	CAT NO.	MODEL NO.	LIST PRICE	MULT. SYMB.	SERVICE FACTOR	F.L. AMPS	APPROX. WGT. LBS.	"AG" DIM.	FOOT NOTES
<b>1/2</b>	3600	115/230	56C	J070 ★	56A34DB11011	\$211	F1	1.95	11.6/5.8	24	9.69	d,DS
	3600	115/230	56J	J071 ★	56A34DB11001	\$211	F1	1.95	11.6/5.8	26	9.69	d,DS
<b>3/4</b>	3600	115/230	56C	J072 ★	56A34DB11004	\$251	F1	1.95	13.0/6.5	25	9.69	DS
	3600	115/230	56J	J073 ★	56A34DB11013	\$251	F1	1.95	13.0/6.5	25	9.69	DS
<b>1</b>	3600	115/230	56C	J074 ★	56A34DB11003	\$278	F1	1.5	13.0/6.5	32	10.67	DS
	3600	115/230	56J	J075 ★	56A34DB11012	\$278	F1	1.5	13.0/6.5	32	10.67	DS
<b>1 1/2</b>	3600	230	56C	J076 ★	56A34DB11002	\$331	F1	1.4	8.8	38	11.65	d,DS
	3600	230	56J	J077 ★	56A34DB11014	\$331	F1	1.4	8.8	38	11.65	DS
<b>2</b>	3600	230	56C	J078 ★	56A34DB11015	\$396	F1	1.15	9.5	38	11.65	d,DS
	3600	230	56J	J079 ★	56A34DB11010	\$396	F1	1.15	9.5	38	11.65	DS

★ Stock Model

# Swimming Pool Pump, Single Phase

Dripproof, Square Flange

**Applications:** For use on commercial pool pump systems.

- Features:**
- UL "1081" Design
  - NEMA pool motor Service Factors
  - External ground lugs
  - Double sealed ball bearings
  - PSC design
  - Fixed CW rotation, viewed opposite shaft end
  - Automatic reset thermal protector
  - Class F insulation
  - 50 degrees C ambient
  - 56Y = Threaded shaft, shaft slinger, special square flange mount
  - 304 stainless steel shaft on all models
  - UL Recognized and CSA Certified



HP	RPM	VOLTS	FRAME	CAT NO.	MODEL NO.	LIST PRICE	MULT. SYMB.	SERVICE FACTOR	F.L. AMPS	APPROX. WGT. LBS.	"AG" DIM.	FOOT NOTES
<b>1/2</b>	3600	115/230	56Y	J080	56A34DB11009	\$211	F1	1.95	11.6/5.8	24	9.69	DS
<b>3/4</b>	3600	115/230	56Y	J081 ★	56A34DB11008	\$251	F1	1.95	13.0/6.5	25	9.69	DS
<b>1</b>	3600	115/230	56Y	J082 ★	56A34DB11007	\$278	F1	1.5	13.0/6.5	32	10.67	DS
<b>1 1/2</b>	3600	230	56Y	J083 ★	56A34DB11006	\$331	F1	1.4	8.8	38	11.65	DS
<b>2</b>	3600	230	56Y	J084 ★	56A34DB11005	\$396	F1	1.15	9.5	38	11.65	DS

★ Stock Model

**Footnotes:**

d To be discontinued after current stock is gone  
 DS Sourced

## Jet Pump, Single Phase

### Dripproof, C-Face



**Applications:** Commercial and industrial water pumps and water systems.

- Features:**
- Jet Pump Service Factors
  - Double sealed ball bearings, mechanically locked on shaft end
  - Capacitor start design for high starting torque
  - Fixed CW rotation, viewed opposite shaft end
  - Automatic reset thermal protector
  - 56C = carbon steel shaft with key, drip cover not included, see Accessories Section
  - 56J = 416 stainless steel threaded shaft with slinger, drip cover included
  - UL Recognized and CSA Certified

HP	RPM	VOLTS	FRAME	CAT NO.	MODEL NO.	LIST PRICE	MULT. SYMB.	SERVICE FACTOR	F.L. AMPS	APPROX. WGT. LBS.	"C" DIM.	FOOT NOTES
1/3	3600	115/208-230	56C	J025 *	56C34D2111	\$143	F1	1.75	5.6/2.7-2.8	15	10.44	2
	3600	115/208-230	56J	J033 *	56C34D2110	\$151	F1	1.75	5.6/2.7-2.8	8	11.13	2
1/2	3600	115/208-230	56C	J009 *	56C34D2097	\$157	F1	1.6	7.4/3.5-3.7	17	10.69	2
	3600	115/208-230	56J	J034 *	56C34D2096	\$164	F1	1.6	7.4/3.5-3.7	16	11.38	2
3/4	3600	115/208-230	56C	J013 *	56C34D2103	\$184	F1	1.5	9.8/4.8-4.9	19	10.94	2
	3600	115/208-230	56J	J035 *	56C34D2102	\$192	F1	1.5	9.8/4.8-4.9	20	11.63	2
1	3600	115/208-230	56C	J017 *	56C34D1173	\$207	F1	1.4	12.0/6.2-6.0	23	11.94	2
	3600	115/208-230	56J	J036 *	56C34D1172	\$213	F1	1.4	12.0/6.2-6.0	24	12.44	2
1 1/2	3600	115/208-230	56C	J019 *	56B34D2025	\$283	F1	1.3	13.4/7.4-6.7	26	11.97	1
	3600	115/208-230	56J	J037 *	56B34D2024	\$300	F1	1.3	13.4/7.4-6.7	26	12.43	1
2	3600	115/208-230	56C	J021 *	56B34D5325	\$351	F1	1.2	18.2/9.8-9.1	32	11.44	1
	3600	115/208-230	56J	J038 *	56B34D5326	\$368	F1	1.2	18.2/9.8-9.1	33	12.24	1
3	3600	230	56C	J023 *	56B34D5327	\$557	F1	1.15	12.7	38	11.94	1
	3600	230	56J	J039 *	56B34D5328	\$587	F1	1.15	12.7	37	12.44	1

\* Stock Model

## Jet Pump, Single Phase

### Dripproof, 56J C-Face with Rigid Base



**Applications:** Commercial and industrial water pumps and water systems.

- Features:**
- Jet Pump Service Factors
  - Double sealed ball bearings, mechanically locked on shaft end
  - Capacitor start design for high starting torque
  - Fixed CW rotation, viewed opposite shaft end
  - Automatic reset thermal protection
  - 416 Stainless steel threaded shaft with slinger
  - Drip cover included
  - UL Recognized and CSA Certified

HP	RPM	VOLTS	FRAME	CAT. NO.	MODEL NO.	LIST PRICE	MULT. SYMB.	SERVICE FACTOR	F.L. AMPS	APPROX. WGT. LBS.	"C" DIM.	FOOT NOTES
1/3	3600	115/208-230	56J	J054 *	56C34D2118	\$155	F1	1.75	5.6/2.7-2.8	15	10.94	2
1/2	3600	115/208-230	56J	J055 *	56C34D2119	\$168	F1	1.6	7.4/3.5-3.7	17	11.19	2
3/4	3600	115/208-230	56J	J056 *	56C34D2120	\$196	F1	1.5	9.8/4.8-4.9	20	11.44	2
1	3600	115/208-230	56J	J057 *	56C34D2121	\$218	F1	1.4	12.0/6.2-6.0	23	12.44	2
1 1/2	3600	115/208-230	56J	J058 *	56B34D2033	\$304	F1	1.3	13.4/7.4-6.7	23	12.43	1
2	3600	115/208-230	56J	J059 *	56B34D5341	\$374	F1	1.2	18.2/9.8-9.1	39	11.94	1

\* Stock Model

**Footnotes:**

- 1 Capacitor Start/Capacitor Run design for reduced amperage
- 2 Capacitor Start Induction Run design

# Jet Pump, Three Phase

Dripproof, C-Face

**Applications:** Commercial and industrial centrifugal or hydraulic pumps, water pumps and water systems. May also be used on industrial compressors requiring NEMA C-Face mount.

- Features:**
- Jet Pump Service Factors
  - Continuous duty
  - Nameplated 60/50 hertz, 190/380 volts at next lower HP
  - Double sealed ball bearings, mechanically locked on shaft end
  - 56C = carbon steel shaft with key
  - 56J = 416 stainless steel threaded shaft with slinger
  - UL Recognized and CSA Certified
  - Drip cover not included, see Accessories section



HP	RPM	VOLTS	FRAME	CAT NO.	MODEL NO.	LIST PRICE	MULT. SYMB.	SERVICE FACTOR	F.L. AMPS	APPROX. WGT. LBS.	"C" DIM.
1/3	3600	208-230/460	56C	P001 *	56T34D5310	\$166	F1	1.75	1.2-1.1/55	19	9.94
	3600	208-230/460	56J	J040 *	56T34D5347	\$166	F1	1.75	1.2-1.1/55	18	10.44
1/2	3600	208-230/460	56C	P002 *	56T34D5311	\$188	F1	1.6	2.1-2.2/1.1	19	10.44
	3600	208-230/460	56J	J041 *	56T34D5348	\$188	F1	1.6	2.1-2.2/1.1	20	10.94
3/4	3600	208-230/460	56C	P003 *	56T34D5312	\$226	F1	1.5	3.0-3.2/1.6	20	10.44
	3600	208-230/460	56J	J042 *	56T34D5349	\$226	F1	1.5	3.0-3.2/1.6	21	10.94
1	3600	208-230/460	56C	P004 *	56T34D5313	\$257	F1	1.4	3.7-3.7/1.85	23	10.44
	3600	208-230/460	56J	J043 *	56T34D5350	\$257	F1	1.4	3.7-3.7/1.85	22	10.94
1 1/2	3600	208-230/460	56C	P005 *	56T34D5314	\$313	F1	1.3	4.9-5.0/2.5	22	10.44
	3600	208-230/460	56J	J044 *	56T34D5351	\$313	F1	1.3	4.9-5.0/2.5	22	10.94
2	3600	208-230/460	56C	P006 *	56T34D5315	\$367	F1	1.2	6.4-6.2/3.1	24	10.44
	3600	208-230/460	56J	J045 *	56T34D5352	\$367	F1	1.2	6.4-6.2/3.1	25	10.94
3	3600	208-230/460	56C	P007 *	56T34D5316	\$412	F1	1.15	8.9-8.4/4.2	34	11.44
	3600	208-230/460	56J	J046 *	56T34D5353	\$412	F1	1.15	8.9-8.4/4.2	31	11.94

★ Stock Model

# Jet Pump, Three Phase

Dripproof, 56J C-Face with Rigid Base

**Applications:** Commercial and industrial centrifugal or hydraulic pumps, water pumps and water systems.

- Features:**
- Jet Pump Service Factors
  - Continuous duty
  - Nameplated 60/50 hertz, 190/380 volts at next lower HP
  - Double sealed ball bearings, mechanically locked on shaft end
  - 416 stainless steel threaded shaft with slinger
  - Drip cover included
  - UL Recognized and CSA Certified



HP	RPM	VOLTS	FRAME	CAT NO.	MODEL NO.	LIST PRICE	MULT. SYMB.	SERVICE FACTOR	F.L. AMPS	APPROX. WGT. LBS.	"C" DIM.
1/3	3600	208-230/460	56J	J047	56T34D5368	\$170	F1	1.75	1.2-1.1/55	21	10.43
1/2	3600	208-230/460	56J	J048 *	56T34D5367	\$192	F1	1.6	2.1-2.2/1.1	21	10.93
3/4	3600	208-230/460	56J	J049 *	56T34D5365	\$230	F1	1.5	3.0-3.2/1.6	22	10.93
1	3600	208-230/460	56J	J050 *	56T34D5366	\$261	F1	1.4	3.7-3.7/1.85	25	10.93
1 1/2	3600	208-230/460	56J	J051 *	56T34D5369	\$317	F1	1.3	4.9-5.0/2.5	29	10.93
2	3600	208-230/460	56J	J052 *	56T34D5370	\$371	F1	1.2	6.4-6.2/3.1	30	10.93
3	3600	208-230/460	56J	J053 *	56T34D5371	\$416	F1	1.15	8.9-8.4/4.2	33	11.93

★ Stock Model

## Jet Pump, Three Phase

Totally Enclosed, 56C C-Face



**Applications:** Commercial and industrial centrifugal or hydraulic pumps, water pumps and water systems. May also be used on industrial compressors requiring NEMA C-Face mount.

- Features:**
- Double sealed ball bearings, mechanically locked on shaft end
  - Continuous duty
  - Nameplated 60/50 hertz, 190/380 volts at next lower HP
  - 1.15 Service Factor
  - UL Recognized and CSA Certified
  - Drip cover not included, see Accessories section

HP	RPM	VOLTS	FRAME	CAT NO.	MODEL NO.	LIST PRICE	MULT. SYMB.	SERVICE FACTOR	F.L. AMPS	APPROX. WGT. LBS.	"C" DIM.	FOOT NOTES
<b>1/3</b>	3600	208-230/460	56C	P101★	56T34T5306	\$192	F1	1.35	1.7-2.0/1.0	19	9.94	N
<b>1/2</b>	3600	208-230/460	56C	P102★	56T34F5321	\$213	F1	1.15	2.1-2.2/1.1	22	11.82	
<b>3/4</b>	3600	208-230/460	56C	P103★	56T34F5322	\$253	F1	1.15	3.0-3.2/1.6	22	11.82	
<b>1</b>	3600	208-230/460	56C	P104★	56T34F5323	\$283	F1	1.15	3.7-3.7/1.85	24	11.82	
<b>1 1/2</b>	3600	208-230/460	56C	P105★	56T34F5324	\$329	F1	1.15	4.6/2.3	25	11.82	
<b>2</b>	3600	208-230/460	56C	P106★	56T34F5325	\$382	F1	1.15	6.0-6.0/3.0	29	12.32	
<b>3</b>	3600	208-230/460	56C	P107★	56T34F5326	\$414	F1	1.15	8.4-7.6/3.8	39	13.32	

★ Stock Model

## Jet Pump, Three Phase

Totally Enclosed, 56J C-Face with Removable Rigid Base



**Applications:** Commercial and industrial centrifugal or hydraulic pumps, water pumps and water systems.

- Features:**
- Double sealed ball bearings, mechanically locked on shaft end
  - Continuous duty
  - Nameplated 60/50 hertz, 190/380 volts at next lower HP
  - 1.15 Service Factor
  - 416 Stainless steel threaded shaft with slinger
  - UL Recognized and CSA Certified

HP	RPM	VOLTS	FRAME	CAT NO.	MODEL NO.	LIST PRICE	MULT. SYMB.	SERVICE FACTOR	F.L. AMPS	APPROX. WGT. LBS.	"C" DIM.	FOOT NOTES
<b>1/3</b>	3600	208-230/460	56J	J060	56T34T5308	\$209	F1	1.15	1.7-2.0/1.0	21	10.44	N
<b>1/2</b>	3600	208-230/460	56J	J061★	56T34F5342	\$230	F1	1.15	2.1-2.2/1.1	23	12.32	
<b>3/4</b>	3600	208-230/460	56J	J062★	56T34F5343	\$270	F1	1.15	3.0-3.2/1.6	26	12.32	
<b>1</b>	3600	208-230/460	56J	J063★	56T34F5344	\$300	F1	1.15	3.7-3.7/1.85	27	12.32	
<b>1 1/2</b>	3600	208-230/460	56J	J064★	56T34F5345	\$361	F1	1.15	4.7-4.6/2.3	28	12.32	
<b>2</b>	3600	208-230/460	56J	J065★	56T34F5346	\$414	F1	1.15	6.0-6.0/3.0	32	12.82	
<b>3</b>	3600	208-230/460	56J	J066★	56T34F5347	\$472	F1	1.15	8.4-7.6/3.8	42	13.82	

★ Stock Model

**Footnotes:**

N Totally Enclosed, Non-Ventilated



# Fire Pump, Three Phase

## Dripproof, Rigid Base

**Applications:** For use on pumps designed for fire pump duty and installed per NFPA-20. These Dripproof motors are intended for installation in relatively clean and dry environments.



- Features:**
- Ball bearings
  - 1.15 Service Factor
  - Red paint on 25 HP through 200 HP
  - NEMA Design B, Code G or less
  - Dual voltage motors have 12 leads, suitable for wye-delta or across the line start on either voltage, or part winding start on low voltage
  - Single voltage motors have 12 leads and are suitable for wye-delta, across the line, or part winding start
  - Will accept C- Face kits, see Accessories section
  - UL Listed, CSA Certified and CE Marked
  - 230/460 and 460 Volt models rated for 50 HZ at next lower HP, 1.15 SF

HP	RPM	VOLTS	FRAME	CAT. NO.	MODEL NO.	LIST PRICE	MULT. SYMB.	NOM. EFF.	F.L. AMPS	APPROX. WGT. LBS.	"C" DIM.	FOOT NOTES
<b>25</b>	3600	200/400	256T	<b>U501</b>	256TTDX4020	\$1,628	E2	91.0	66.5/33.5	126	22.32	
	3600	200/400	256T	Y621	256TTDX8522	\$1,321	E2	89.5	70.0/35.0	225	22.32	
	3600	230/460	256T	<b>U500</b>	256TTDX4024	\$1,628	E2	91.0	58.0/29.0	164	22.32	20
	1800	200/400	284T	<b>U503</b>	284TTDP4047	\$1,612	E2	91.7	70/35.0	420	23.49	
	1800	200/400	284T	Y623	284TTDP8629	\$1,307	E2	88.5	76.0/38.0	250	23.49	
	1800	230/460	284T	<b>U502</b>	284TTDP4027	\$1,612	E2	91.7	61.0/30.5	423	23.49	20
<b>30</b>	3600	200/400	284TS	<b>U505</b>	-----	\$1,942	E2	91.0	82.8/41.4	318	22.06	
	3600	200/400	284TS	Y625	284TSTDP8618	\$1,500	E2	88.5	84.0/42.0	247	22.06	
	3600	230/460	284TS	Y624	284TSTDP8621	\$1,500	E2	88.5	73.0/36.5	345	22.06	d,20
	3600	230/460	284TS	<b>U504</b>	284TSTDP4002	\$1,942	E2	91.0	72.0/36.0	460	22.06	20
	1800	200/400	286T	Y627	286TTDP8371	\$1,526	E2	89.5	91.0/45.5	332	24.99	
	1800	200/400	286T	<b>U507</b>	-----	\$1,875	E2	92.4	82.8/41.4	364	24.99	
<b>40</b>	1800	230/460	286T	<b>U506</b> *	286TTDP4041	\$1,875	E2	92.4	72.0/36.0	331	24.99	20
	3600	200/400	286TS	Y629*	286TSTDP8608	\$2,042	E2	88.5	115/57.5	358	23.56	
	3600	200/400	286TS	<b>U509</b>	286TSTDP4023	\$2,486	E2	91.7	108/54.0	360	23.56	
	3600	230/460	286TS	<b>U508</b> *	286TSTDP4022	\$2,486	E2	91.7	94.0/47.0	339	23.56	20
	1800	200/400	324T	<b>U511</b>	-----	\$2,332	E2	93.0	112/55.8	465	26.00	
	1800	200/400	324T	Y631	324TTDP8630	\$1,903	E2	89.5	122/61.0	579	26.00	
<b>50</b>	1800	230/460	324T	<b>U510</b> *	324TTDP4038	\$2,332	E2	93.0	97.0/48.5	465	26.00	20
	3600	200/400	324TS	Y633*	324TSTDP8607	\$2,517	E2	89.5	143/71.5	548	24.50	
	3600	200/400	324TS	<b>U513</b>	324TSTDP4007	\$2,954	E2	92.4	135/67.5	415	24.50	
	3600	230/460	324TS	<b>U512</b> *	324TSTDP4010	\$2,954	E2	92.4	117/58.5	425	24.50	20
	1800	200/400	326T	<b>U515</b> *	326TTDP4344	\$2,718	E2	93.0	141/70.5	515	27.50	
	1800	200/400	326T	Y635	326TTDP8268	\$2,221	E2	90.2	150/75.0	425	27.50	
<b>60</b>	1800	230/460	326T	<b>U514</b>	326TTDP4345	\$2,718	E2	93.0	123/61.5	345	27.50	20
	3600	200/400	326TS	Y637*	326TSTDP8219	\$3,016	E2	90.2	167/83.5	465	26.00	
	3600	200/400	326TS	<b>U517</b>	326TSTDP4022	\$3,359	E2	93.0	155/77.5	340	26.00	
	3600	230/460	326TS	<b>U516</b> *	326TSTDP4024	\$3,359	E2	93.0	135/67.5	468	26.00	20
	1800	200/400	326TS	Y663	326TSTDP8929	\$2,657	E2	91.7	177/88.5	460	26.00	
	1800	200/400	364T	Y641	364TTDS8274	\$2,875	E2	91.0	176/88.0	625	28.62	
	1800	200/400	364T	<b>U521</b>	-----	\$3,425	E2	93.6	166/83.0	805	28.62	
	1800	200/400	364TS	<b>U519</b>	364TSTDS4337	\$3,425	E2	93.6	166/83.0	699	26.50	
	1800	200/400	364TS	Y639	364TSTDS8328	\$2,875	E2	91.0	177/88.5	625	26.50	
	1800	230/460	364T	<b>U520</b>	364TTDS4328	\$3,425	E2	93.6	144/72.0	716	28.62	20
<b>75</b>	1800	230/460	364TS	<b>U518</b> *	364TSTDS4332	\$3,425	E2	93.6	144/72.0	805	26.50	20
	3600	200/400	364TS	<b>U523</b>	364TSTDS4024	\$4,604	E2	93.0	210/105	713	26.50	
	3600	200/400	364TS	Y643*	364TSTDS8503	\$4,021	E2	90.2	212/106	630	26.50	

Blue shaded areas are Cast Iron Frames

\* Stock Model

Catalog numbers (Cat No.) highlighted in bold blue have efficiency levels that meet or exceed U.S. E.P.A.C and/or NRC Canadian standards.

**Footnotes:**

- d To be discontinued after current stock is gone
- 20 Rated 60/50 hertz, 190/380 or 380 volt at next lower horsepower

Continued on next page.

# Fire Pump, Three Phase

## Dripproof, Rigid Base

HP	RPM	VOLTS	FRAME	CAT. NO.	MODEL NO.	LIST PRICE	MULT. SYMB.	NOM. EFF.	F.L. AMPS	APPROX. WGT. LBS.	"C" DIM.	FOOT NOTES
<b>75</b>	3600	230/460	364TS	<b>U522</b> *	364TSTDS4025	<b>\$4,604</b>	E2	93.0	183/91.5	950	26.50	20
	1800	200/400	365TS	Y645	365TSTDS8637	<b>\$3,657</b>	E2	91.7	214/107	660	27.50	
	1800	200/400	365TS	<b>U525</b>	365TSTDS4347	<b>\$4,172</b>	E2	94.1	204/102	766	27.50	
	1800	230/460	365TS	<b>U524</b> *	365TSTDS4332	<b>\$4,172</b>	E2	94.1	177/88.5	772	27.50	20
<b>100</b>	3600	200/400	365TS	<b>U527</b> *	365TSTDS4303	<b>\$6,047</b>	E2	93.0	276/138	730	27.50	
	3600	200/400	365TS	Y647*	365TSTDS7904	<b>\$5,528</b>	E2	91.7	274/137	691	27.50	
	3600	230/460	365TS	<b>U526</b> *	365TSTDS4025	<b>\$6,047</b>	E2	93.0	240/120	721	27.50	20
	1800	200/400	404TS	<b>U529</b> *	404TSTDS4333	<b>\$5,402</b>	E2	94.1	271/136	1065	29.50	
	1800	200/400	404TS	Y649	404TSTDS8561	<b>\$4,712</b>	E2	93.0	274/137	850	29.50	
	1800	230/460	404TS	<b>U528</b> *	404TSTDS4332	<b>\$5,321</b>	E2	94.1	236/118	1002	29.50	20
<b>125</b>	3600	200/400	404TS	Y651*	404TSTDS7623	<b>\$6,800</b>	E2	92.4	322/161	910	29.50	
	3600	200/400	404TS	<b>U531</b>	404TSTDS14008	<b>\$7,523</b>	E2	93.6	327/163	949	29.50	
	3600	230/460	404TS	<b>U530</b> *	404TSTDS4017	<b>\$7,523</b>	E2	93.6	284/142	914	29.50	20
	1800	200/400	405TS	<b>U533</b>	405TSTDS4333	<b>\$6,371</b>	E2	94.5	336/168	1070	31.00	
	1800	230/460	405TS	<b>U532</b> *	405TSTDS4332	<b>\$6,371</b>	E2	94.5	292/146	925	31.00	20
<b>150</b>	3600	460	405TS	<b>U534</b> *	405TSTDS4006	<b>\$9,152</b>	E2	93.6	169	983	31.00	20
	1800	460	444TS	<b>U535</b> *	444TSTDS4332	<b>\$9,201</b>	E2	95.0	173	1265	34.00	20
<b>200</b>	3600	460	444TS	<b>U536</b> *	444TSTDS4010	<b>\$14,236</b>	E2	94.5	225	1315	34.00	20
	1800	460	445TS	<b>U537</b> *	445TSTDS4332	<b>\$11,624</b>	E2	95.0	233	1412	36.00	20
<b>250</b>	3600	460	445TS	Y658*	445TSTDS7303	<b>\$13,858</b>	E2	93.6	275	1387	36.00	20
	1800	460	445TS	Y659*	445TSTDS7936	<b>\$11,991</b>	E2	95.0	287	1428	36.00	20
<b>300</b>	3600	460	447TS	H178*	447TSTDN7001	<b>\$15,826</b>	E6	95.0	332	2255	39.50	F,20,25
	1800	460	447TS	H812*	447TSTDN7026	<b>\$12,932</b>	E6	95.4	345	1952	39.50	F,20,25
<b>350</b>	3600	460	447TS	H193*	447TSTDN7003	<b>\$18,128</b>	E6	95.0	385	2068	39.50	F,20,25
	1800	460	447TS	H813*	447TSTDN7027	<b>\$14,278</b>	E6	95.4	400	1950	39.50	F,20,25
<b>400</b>	3600	460	447TS	H817*	447TSTDN7005	<b>\$20,626</b>	E6	95.4	440	2150	39.50	F,20,25
	1800	460	447TS	H814*	447TSTDN7028	<b>\$15,153</b>	E6	95.4	450	2214	39.50	F,20,25
<b>450</b>	3600	460	449TS	H818*	449TSTDN7001	<b>\$21,030</b>	E6	95.8	495	2544	44.50	F,TS,20,25
	1800	460	449TS	H815	449TSTDN7026	<b>\$15,851</b>	E6	95.4	510	2554	44.50	F,TS,20,25
<b>500</b>	3600	460	449TS	H819*	449TSTDN7003	<b>\$22,862</b>	E6	95.8	545	2542	44.50	F,TS,20,25
	1800	460	449TS	H816	449TSTDN7027	<b>\$17,076</b>	E6	95.8	560	2695	44.50	F,TS,20,25

Blue shaded areas are Cast Iron Frames

★ Stock Model

Catalog numbers (Cat No.) highlighted in bold blue have efficiency levels that meet or exceed U.S. EPA and/or NRC Canadian standards.

**Footnotes:**

- F Class F Insulation
- TS Normally Closed Thermostats installed
- 20 Rated 60/50 hertz, 190/380 or 380 volt at next lower horsepower
- 25 Motor will NOT accept C-Face kit

# Vertical Solid Shaft P-Base

Dripproof

**Applications:** For use on: Vertical end suction, short couple, centrifugal, non-clog, mix flow, turbine, and propeller pumps. HP type shafts, per NEMA MG-1 18.625. HPH and TCV type shafts, single phase, wound rotor designs, and other modifications such as adding screens are also available through special order—contact Marathon Electric for more information.

- Features:**
- Normal thrust
  - Ball bearings
  - Class B insulation
  - 1.15 Service Factor
  - Suitable for 230 volt part winding start through 100 HP
  - Heavy duty lifting lugs
  - Drip cover/canopy cap included
  - UL Recognized and CSA Certified

HP	RPM	VOLTS	FRAME	CAT. NO.	MODEL NO.	LIST PRICE	MULT. SYMB.	NOM. EFF.	F.L. AMPS	APPROX. WGT. LBS.	DOWN THRUST	BASE DIA.	"C" DIM.	FOOT NOTES
<b>3</b>	3600	230/460	145HP	M800	-----	\$925	S5	84.0	8.4/4.2	47	260	9.88	14.00	
	1800	230/460	182HP	M801	182TTDR8652	\$809	S5	81.5	9.0/4.5	83	390	9.88	15.68	
	1200	230/460	213HP	M802	213TTDW7089	\$1,262	S5	82.5	10.0/5.0	104	560	9.88	18.80	
<b>5</b>	3600	230/460	182HP	M803	182TTDR8724	\$1,296	S5	82.5	14.0/7.0	87	310	9.88	15.68	
	1800	230/460	184HP	M804	184TTDR9639	\$1,245	S5	85.5	13.2/6.6	168	490	9.88	16.68	
	1200	230/460	215HP	M805	215TTDW7380	\$1,782	S5	85.5	15.0/7.5	138	650	9.88	20.30	
<b>7 1/2</b>	3600	230/460	184HP	M806	-----	\$1,620	S5	86.5	18.0/9.0	84	380	9.88	16.91	
	1800	230/460	213HP	M807	213TTDW7059	\$1,555	S5	84.0	21.6/10.8	114	560	9.88	18.80	
	1200	230/460	254HP	M808	254TTDX7088	\$2,122	S5	81.5	22.2/11.1	210	720	9.88	22.55	
<b>10</b>	3600	230/460	213HP	M809	-----	\$1,747	S5	85.5	25.0/12.5	114	450	9.88	21.01	
	1800	230/460	215HP	M810	215TTDW7044	\$1,747	S5	87.5	26.4/13.2	135	560	9.88	20.30	
	1200	230/460	256HP	M811	256TTDX7378	\$2,396	S5	87.5	27.6/13.8	189	720	9.88	24.30	
	900	230/460	284HP	M812	-----	\$2,720	S5	87.5	29.0/14.5	293	900	11.88	27.26	
<b>15</b>	3600	230/460	215HP	M813	215TTDW7612	\$2,032	S5	86.5	38.0/19.0	149	520	9.88	20.30	
	1800	230/460	254HP	M814	254TTDX7648	\$2,088	S5	87.5	39.0/19.6	243	640	9.88	22.35	
	1200	230/460	284HP	M815	284TTDR8097	\$2,793	S5	87.5	42.0/21.0	293	800	12.55	27.06	
	900	230/460	286HP	M816	-----	\$3,462	S5	87.5	42.0/21.0	360	900	11.88	28.76	
<b>20</b>	3600	230/460	254HP	M817	-----	\$2,130	S5	88.5	47.0/23.5	199	520	9.88	25.07	
	1800	230/460	256HP	M818	256TTDX8938	\$2,382	S5	88.5	52.8/26.4	215	640	9.88	24.30	
	1200	230/460	286HP	M819	286TTDR7395	\$3,397	S5	88.5	53.0/26.5	335	800	12.55	28.56	
	900	230/460	324HP	M820	324TTDR7408	\$3,822	S5	86.5	60.0/30.0	465	1100	16.38	28.06	
<b>25</b>	3600	230/460	256HP	M821	256TTDX7020	\$2,349	S5	89.5	61.0/30.5	189	520	9.88	24.30	
	1800	230/460	284HP	M822	284TTDR9030	\$2,655	S5	88.5	66.0/33.0	289	700	12.55	27.06	
	1200	230/460	324HP	M823	324TTDR8390	\$3,691	S5	88.5	71.0/35.5	460	1000	16.38	28.06	
	900	230/460	326HP	M824	326TTDR7112	\$4,403	S5	87.5	80.0/40.0	489	1100	16.38	30.56	
<b>30</b>	3600	230/460	284HP	M825	284TTDR9013	\$2,571	S5	88.5	73.0/36.5	292	550	12.55	27.06	
	1800	230/460	286HP	M826	286TTDR8648	\$2,986	S5	89.5	79.0/39.5	520	700	12.55	28.56	
	1200	230/460	326HP	M827	-----	\$4,215	S5	89.5	82.0/41.0	478	1000	16.38	33.44	
	900	230/460	364HP	M828	364TTDS7117	\$4,940	S5	89.5	86.0/43.0	700	1100	16.50	29.00	
<b>40</b>	3600	230/460	286HP	M829	286TTDR17009	\$3,361	S5	91.7	94.0/47.0	347	550	11.88	28.56	
	1800	230/460	324HP	M830	324TTDR8940	\$3,303	S5	89.5	106/53.0	480	800	16.38	28.06	
	1200	230/460	364HP	M831	364TTDS7376	\$5,149	S5	89.5	106/53.0	702	1000	16.50	29.00	
	900	230/460	365HP	M832	365TTDS7114	\$5,955	S5	90.2	116/58.0	770	1100	16.50	29.00	
<b>50</b>	3600	230/460	324HP	M833	324TTDR17003	\$3,876	S5	89.5	124/62.0	510	600	16.38	28.06	
	1800	230/460	326HP	M834	326TTDR8954	\$3,921	S5	90.2	130/65.0	589	800	16.38	29.56	
	1200	230/460	365HP	M835	365TTDS7376	\$6,074	S5	90.2	129/64.5	725	1000	16.50	29.00	
	900	230/460	404HP	M836	-----	\$6,788	S5	91.0	136/68.0	790	1400	16.50	33.31	

Blue shaded areas are Cast Iron Frames

Continued on next page.

VERTICAL P-BASE

# Vertical Solid Shaft P-Base

## Dripproof

HP	RPM	VOLTS	FRAME	CAT. NO.	MODEL NO.	LIST PRICE	MULT. SYMB.	NOM. EFF.	F.L. AMPS	APPROX. WGT. LBS.	DOWN THRUST	BASE DIA.	"C" DIM.	FOOT NOTES
<b>60</b>	3600	230/460	326HP	M837	326TTDR7302	\$4,336	S5	90.2	142/72.0	589	600	16.38	29.56	
	1800	230/460	364HP	M838	364TTDR5039	\$4,528	S5	91.7	154/77.0	587	800	16.38	30.06	
	1200	230/460	404HP	M839	404TTDS7376	\$6,933	S5	91.7	152/76.0	923	1200	16.50	31.75	
	900	230/460	405HP	M840	405TTDS7124	\$7,828	S5	92.4	166/83.0	1077	1400	16.50	31.75	
<b>75</b>	3600	230/460	364HP	M841	364TTDS7009	\$5,425	S5	90.2	184/92.0	733	600	16.50	29.00	
	1800	230/460	365HP	M842	365TTDS7071	\$5,513	S5	91.7	186/93.0	740	800	16.50	29.00	
	1200	230/460	405HP	M843	405TTDS7099	\$8,155	S5	92.4	182/91.0	1014	1200	16.50	31.75	
	900	460	444HP	M844	444TTDS7403	\$8,978	S5	92.4	97.0	1280	1600	16.38	36.02	
<b>100</b>	3600	230/460	365HP	M845	365TTDS7019	\$7,312	S5	91.7	238/119	762	600	16.50	29.00	
	1800	230/460	404HP	M846	404TTDS7071	\$6,965	S5	93.0	238/119	937	900	16.50	31.75	
	1200	230/460	444HP	M847	444TTDS8981	\$10,122	S5	93.0	242/121	1317	1400	16.38	36.02	
	900	460	445HP	M848	445TTDS7121	\$12,045	S5	93.6	128	1504	1600	16.38	36.02	
<b>125</b>	3600	460	404HP	M849	404TTDS7624	\$9,187	S5	92.4	140	1009	600	16.50	31.75	
	1800	460	405HP	M850	405TTDS7354	\$8,412	S5	93.6	146	1010	900	16.50	31.75	
	1200	460	445HP	M851	445TTDS9476	\$12,019	S5	93.6	148	1385	1400	16.38	36.02	
	900	460	505P	M852	505UTDS805	\$16,007	S5	94.1	168	1976	1600	20.00	38.75	
<b>150</b>	3600	460	405HP	M853	405TTDS7301	\$11,161	S5	93.0	167	1071	600	16.50	31.75	
	1800	460	444HP	M854	444TTDS7632	\$10,092	S5	94.5	179	1300	1000	16.38	36.02	
	1200	460	445HP	M855	445TTDS17084	\$14,515	S5	93.0	177	1498	1400	16.38	36.02	
	900	460	505P	M856	505UTDS819	\$19,842	S5	94.5	191	2148	1600	20.00	38.75	
<b>200</b>	3600	460	444HP	M857	444TTDS7302	\$15,254	S5	93.6	225	1357	600	16.38	36.02	
	1800	460	445HP	M858	445TTDS7659	\$13,715	S5	94.5	231	1461	1000	16.38	36.02	
	1200	460	505P	M859	505UTDS3998	\$21,216	S5	94.1	250	1970	1400	20.00	38.75	
	900	460	505P	M860	505UTDS5820	\$22,329	S5	93.6	268	2200	1600	20.00	38.75	
<b>250</b>	3600	460	445HP	M861	445TTDS7315	\$16,330	S5	93.6	275	1520	600	16.38	36.02	
	1800	460	445HP	M862	445TTDS7636	\$14,497	S5	95.0	287	1550	1000	16.38	36.02	
	1200	460	505P	M863	505UTDS3999	\$22,626	S5	95.0	295	2200	1400	20.00	38.75	
	900	460	508P	M864	508UTDS708	\$27,077	S5	94.5	308	3250	1600	20.00	45.75	
<b>300</b>	3600	460	505P	M865	-----	\$20,690	S5	94.5	320	2200	600	20.00	38.75	
	1800	460	505P	M866	505UTDS953	\$17,461	S5	95.0	340	2200	1000	20.00	38.75	
	1200	460	508P	M867	505UTDS682	\$26,095	S5	95.0	342	3150	1400	20.00	45.75	
	900	460	508P	M868	505UTDS709	\$32,024	S5	93.6	375	3250	1600	20.00	45.75	
<b>350</b>	3600	460	505P	M869	505UTDS307	\$24,762	S5	93.6	378	2200	600	20.00	38.75	
	1800	460	505P	M870	505UTDS956	\$20,301	S5	95.4	402	2200	1000	20.00	38.75	
	1200	460	508P	M871	508UTDS683	\$30,244	S5	95.0	400	3150	1400	20.00	45.75	
<b>400</b>	3600	460	508P	M872	-----	\$28,494	S5	94.5	455	2550	600	20.00	38.75	
	1800	460	505P	M873	505UTDS957	\$24,361	S5	95.8	455	2250	1000	20.00	38.75	
	1200	460	508P	M874	508UTDS684	\$34,734	S5	95.0	460	3250	1400	20.00	45.75	

Blue shaded areas are Cast Iron Frames

# Vertical Solid Shaft P-Base

Totally Enclosed

**Applications:** For use on: Vertical end suction, short couple, centrifugal, non-clog, mix flow, turbine, and propeller pumps. Totally Enclosed, Fan Cooled construction restricts the free exchange of ambient air inside the motor. Suitable for demanding applications in the process industries. HP type shafts, per NEMA MG-1, 18.625. HPH type shafts, severe duty features, explosion proof, and other modifications such as adding screens are also available through special order—contact Marathon Electric for more information.



- Features:**
- Normal thrust
  - Class F insulation
  - 1.15 Service Factor
  - Suitable for 230 volt part winding start through 100 HP
  - Heavy duty lifting lugs
  - Drip cover/canopy cap included
  - UL Recognized and CSA Certified

HP	RPM	VOLTS	FRAME	CAT. NO.	MODEL NO.	LIST PRICE	MULT. SYMB.	NOM. EFF.	F.L. AMPS	APPROX. WGT. LBS.	DOWN THRUST	BASE DIA.	"C" DIM.	FOOT NOTES
<b>3</b>	3600	230/460	182HP	M875	182TTFR9317	\$1,201	S5	82.5	7.8/3.9	89	260	9.88	18.05	
	1800	230/460	182HP	M876	182TTFR17043	\$1,053	S5	82.5	8.4/4.2	82	390	9.88	18.05	
	1200	230/460	213HP	M877	213TTFW7083	\$1,643	S5	81.5	9.6/4.8	134	560	9.88	21.16	
<b>5</b>	3600	230/460	184HP	M878	-----	\$1,684	S5	84.0	12.2/6.1	80	310	9.88	20.05	
	1800	230/460	184HP	M879	184TTFR9341	\$1,475	S5	84.0	13.2/6.6	79	490	9.88	20.05	
	1200	230/460	215HP	M880	215TTFW7088	\$2,314	S5	84.0	14.8/7.4	230	650	9.88	22.66	
<b>7 1/2</b>	3600	230/460	213HP	M881	213TTFW7008	\$2,088	S5	84.0	19.2/9.6	157	380	9.88	21.16	
	1800	230/460	213HP	M882	-----	\$2,021	S5	87.5	19.4/9.7	155	560	9.88	21.16	
	1200	230/460	254HP	M883	254TTFNA7078	\$2,761	S5	88.5	20.0/10.0	300	720	9.88	28.26	
<b>10</b>	3600	230/460	215HP	M884	215TTFW7317	\$2,274	S5	86.5	24.0/12.0	160	450	9.88	22.66	
	1800	230/460	215HP	M885	215TTFW7044	\$2,274	S5	88.5	25.0/12.5	158	560	9.88	23.91	
	1200	230/460	256HP	M886	256TTFNA7090	\$3,117	S5	87.5	27.0/13.5	420	720	9.88	28.26	
	900	230/460	284HP	M887	-----	\$3,958	S5	84.0	31.0/15.5	466	900	11.88	29.31	
<b>15</b>	3600	230/460	254HP	M888	254TTFNA7012	\$2,621	S5	90.2	35.0/17.5	272	520	9.88	28.26	
	1800	230/460	254HP	M889	-----	\$2,716	S5	89.5	39.0/19.5	272	640	9.88	26.44	
	1200	230/460	284HP	M890	284TTFPA17081	\$3,634	S5	86.5	41.0/20.4	400	800	11.88	28.88	
	900	230/460	286HP	M891	-----	\$4,501	S5	86.5	45.0/22.5	520	900	11.88	30.18	
<b>20</b>	3600	230/460	256HP	M892	256TTFNA7013	\$2,868	S5	89.5	49.0/24.5	413	520	9.88	28.26	
	1800	230/460	256HP	M893	256TTFNA7028	\$3,097	S5	91.0	50.0/25.0	587	640	9.88	28.26	
	1200	230/460	286HP	M894	286TTFPA17079	\$4,417	S5	87.5	52.5/26.2	520	800	11.88	27.38	
	900	230/460	324HP	M895	-----	\$5,354	S5	87.5	64.0/32.0	644	1100	16.38	34.13	
<b>25</b>	3600	230/460	284HP	M896	284TTFNA7508	\$3,030	S5	91.7	57.0/28.5	520	550	11.88	30.84	
	1800	230/460	284HP	M897	284TTFPA18035	\$3,451	S5	89.5	66.0/33.0	466	700	11.88	29.31	
	1200	230/460	324HP	M898	324TTFPA17078	\$5,168	S5	91.7	67.0/33.5	610	1000	16.38	33.09	
	900	230/460	326HP	M899	326TTFPA7406	\$6,165	S5	90.2	73.0/36.5	450	1100	16.38	35.62	
<b>30</b>	3600	230/460	286HP	M900	286TTFPA7919	\$3,343	S5	89.5	73.0/36.5	460	550	9.88	27.38	
	1800	230/460	286HP	M901	286TTFPA17044	\$3,883	S5	90.2	77.0/38.5	653	700	11.88	30.26	
	1200	230/460	326HP	M902	326TTFPA7397	\$5,901	S5	91.7	76.0/38.0	734	1000	16.38	35.62	
	900	230/460	364HP	M903	-----	\$7,413	S5	90.2	88.0/44.0	850	1100	16.38	37.44	
<b>40</b>	3600	230/460	324HP	M904	324TTFPA7017	\$4,413	S5	91.0	96.0/48.0	738	600	16.38	34.12	
	1800	230/460	324HP	M905	324TTFPA7668	\$4,626	S5	91.7	101/50.5	700	800	16.38	33.09	
	1200	230/460	364HP	M906	364TTFS7985	\$7,726	S5	90.2	106/53.0	934	1000	16.38	37.44	
	900	230/460	365HP	M907	365TTFS17102	\$8,934	S5	91.0	111/55.5	900	1100	16.38	37.44	
<b>50</b>	3600	230/460	326HP	M908	-----	\$5,088	S5	91.7	116/58.0	727	600	16.38	35.63	
	1800	230/460	326HP	M909	326TTFPA17037	\$5,486	S5	91.7	124/62.0	649	800	16.38	33.09	
	1200	230/460	365HP	M910	365TTFS7393	\$9,109	S5	91.0	128/64.0	998	1000	16.38	37.44	
	900	230/460	404HP	M911	-----	\$10,858	S5	92.4	138/69.0	1000	1400	16.50	40.74	

Blue shaded areas are Cast Iron Frames

Continued on next page.



# Vertical Solid Shaft P-Base

## Totally Enclosed

HP	RPM	VOLTS	FRAME	CAT. NO.	MODEL NO.	LIST PRICE	MULT. SYMB.	NOM. EFF.	F.L. AMPS	APPROX. WGT. LBS.	DOWN THRUST	BASE DIA.	"C" DIM.	FOOT NOTES
<b>60</b>	3600	230/460	364HP	M912	364TTFS7922	\$6,505	S5	92.4	144/72.0	978	600	16.38	37.44	
	1800	230/460	364HP	M913	364TTFS7945	\$6,788	S5	92.4	146/73.0	998	800	16.38	37.44	
	1200	230/460	404HP	M914	404TTFS7685	\$11,097	S5	92.4	146/73.0	1232	1400	16.38	40.69	
	900	230/460	405HP	M915	-----	\$12,528	S5	91.7	162/81.0	1190	1400	16.38	40.75	
<b>75</b>	3600	230/460	365HP	M916	365TTFS7923	\$8,125	S5	92.4	174/87.0	1059	600	16.38	37.44	
	1800	230/460	365HP	M917	365TTFS7930	\$8,270	S5	93.0	180/90.0	1154	800	16.38	37.44	
	1200	230/460	405HP	M918	405TTFS17078	\$13,050	S5	92.4	182/91.0	1190	1400	16.38	40.69	
	900	460	444HP	M919	444TTFS7403	\$15,709	S5	93.0	97.0	1889	1600	16.38	45.81	
<b>100</b>	3600	230/460	405HP	M920	405TTFS7612	\$11,701	S5	94.1	220/110	1341	600	16.38	40.69	
	1800	230/460	405HP	M921	405TTFS7370	\$11,141	S5	92.4	232/116	1291	900	16.38	40.69	
	1200	230/460	444HP	M922	444TTFS7686	\$17,396	S5	93.0	242/121	1865	1400	16.38	45.81	
	900	460	445HP	M923	-----	\$21,080	S5	93.6	134	1780	1600	16.38	45.81	
<b>125</b>	3600	460	444HP	M924	444TTFS7321	\$15,790	S5	94.5	137	1846	600	16.38	45.81	
	1800	460	444HP	M925	444TTFS7640	\$14,461	S5	93.6	147	1756	1000	16.38	45.81	
	1200	460	445HP	M926	445TTFN7694	\$21,030	S5	93.6	155	2102	1400	16.38	43.50	
	900	460	445HP	M927	-----	\$29,934	S5	93.6	169	2875	1600	16.38	43.50	
<b>150</b>	3600	460	445HP	M928	445TTFN17002	\$19,188	S5	93.6	170	1780	600	16.38	43.50	
	1800	460	445HP	M929	445TTFN7361	\$17,663	S5	93.6	180	2099	1000	16.38	43.50	
	1200	460	445HP	M930	-----	\$26,132	S5	93.6	185	1780	1400	16.38	43.50	
	900	460	449HP	M931	449TTFS7109	\$37,107	S5	94.5	206	3290	1600	16.38	54.25	
<b>200</b>	3600	460	445HP	M932	-----	\$26,695	S5	95.8	222	2575	600	16.38	43.50	
	1800	460	445HP	M933	445TTFN7360	\$24,684	S5	94.5	230	2290	1000	16.38	43.50	
	1200	460	449HP	M934	-----	\$34,709	S5	95.0	243	3000	1400	16.50	54.25	
	900	460	449HP	M935	-----	\$40,588	S5	94.5	270	3675	1600	16.50	54.25	
<b>250</b>	3600	460	449HP	M936	-----	\$32,446	S5	95.0	280	2875	600	16.50	54.25	
	1800	460	445HP	M937	-----	\$28,679	S5	95.0	285	2875	1000	16.38	43.50	
	1200	460	449HP	M938	-----	\$39,282	S5	95.4	300	3500	1400	16.50	54.25	
<b>300</b>	3600	460	449HP	M940	-----	\$39,398	S5	95.4	330	3000	600	16.50	54.25	
	1800	460	445HP	M941	-----	\$32,592	S5	95.0	340	3250	1000	16.38	43.50	17
<b>350</b>	3600	460	449HP	M942	-----	\$43,960	S5	95.4	380	3250	600	16.50	54.25	
	1800	460	449HP	M943	-----	\$38,660	S5	95.4	400	3875	1000	16.50	54.25	
<b>400</b>	1800	460	449HP	M945	-----	\$40,456	S5	95.0	460	3800	1000	16.50	54.25	17

Blue shaded areas are Cast Iron Frames

Footnotes:  
17 1.0 Service Factor

# Heating, Ventilating, Air Conditioning Aeration Fan, Single Phase

Totally Enclosed, Air Over, Rigid Base

**Applications:** Direct drive vane axial fans. These totally enclosed/air over motors must be mounted within the airstream for proper cooling.

- Features:**
- Capacitor start design for high starting torque
  - Double sealed ball bearings
  - Heavy gauge steel frame and base
  - 56Z & 143-5TZ have keyway and 1/4" x 20" UNC tapped hole
  - 18" Leads for ease of connection
  - Automatic reset thermal protector
  - 1.15 Service Factor
  - UL Recognized and CSA Certified



HP	RPM	VOLTS	FRAME	OVER LOAD	CAT. NO.	MODEL NO.	LIST PRICE	MULT. SYMB.	F.L. AMPS	APPROX. WGT. LBS.	"C" DIM.	FOOT NOTES
<b>3/4</b>	3600	115/230	56	AUTO	F120	56C34T160	\$242	F1	9.6/4.8	23	10.47	17,62
<b>1</b>	3600	115/230	56	AUTO	F121	56C34T159	\$276	F1	12.4/6.2	20	11.47	17,62
	3600	115/230	56Z	AUTO	F107★	56C34T5302	\$268	F1	12.0/6.0	29	10.94	
<b>1 1/2</b>	3600	115/230	143TZ	AUTO	F108★	143TCTR5301	\$540	S1	16.8/8.4	35	11.49	5
<b>2</b>	3600	115/230	143TZ	AUTO	F109	143TCTR5302	\$661	S1	21.2/10.6	38	11.99	5
<b>3</b>	3600	230	145TZ	AUTO	F110★	145TBTR5301	\$901	S1	11.4	52	13.49	1,5

★ Stock Model

## Attic Fan, Single Phase, Split Phase

Dripproof, Air Over, Resilient Base

**Applications:** Belted and direct drive attic fans where the motor is placed within the airstream and low to moderate torque is required. Intended for use in relatively clean and dry environments.

- Features:**
- Variable torque on two speed motors
  - Quiet, all angle sleeve bearings
  - Heavy gauge steel frame and resilient, "cradle" style base
  - Wiring entrance at shaft end
  - 48Y Frame has 48/56 Frame mounting holes
  - 56YZ frame with 3" shaft height, 1/2" diameter shaft, and 5/8" adapter with keyway included
  - 1.0 Service Factor
  - UL Recognized and CSA Certified



HP	RPM	VOLTS	FRAME	OVER LOAD	CAT. NO.	MODEL NO.	LIST PRICE	MULT. SYMB.	F.L. AMPS	APPROX. WGT. LBS.	"C" DIM.	FOOT NOTES
<b>1/3</b>	1800/1200	115	48Y	AUTO	B402★	48S17D7209	\$194	F1	5.3/2.9	21	10.31	
	1800	115	48Y	AUTO	B400★	48S17D997	\$128	F1	6.6	14	9.34	
<b>1/2</b>	1800	115	56YZ	AUTO	B401★	56S17D2062	\$160	F1	7.8	18	10.47	53

★ Stock Model

**Footnotes:**

- 1 Capacitor Start/Capacitor Run design for reduced amperage
- 5 56H, 143T, and 145T Combination Base with 12 mounting holes
- 17 1.0 Service Factor
- 53 1/2" Shaft with 5/8" adapter with Key
- 62 43" Leads

# Centrifugal Fan, Single Phase

## Dripproof, Rigid Base

**Applications:** Direct drive centrifugal fans installed in relatively clean and dry applications.

- Features:**
- Capacitor start/capacitor run design for high starting torque and low amps
  - Ball bearings, mechanically locked on shaft end
  - Heavy gauge steel frame and base
  - Shafts are 1" longer than NEMA standard for extra clearance
  - Rodent screens
  - Thermostats for thermal overload protection
  - 1.15 Service Factor
  - UL Recognized and CSA Certified

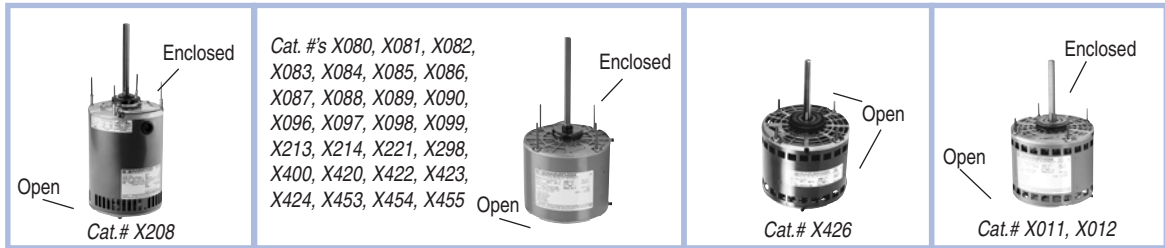
HP	RPM	VOLTS	FRAME	OVER LOAD	CAT. NO.	MODEL NO.	LIST PRICE	MULT. SYMB.	F.L. AMPS	APPROX. WGT. LBS.	"C" DIM.	FOOT NOTES
5	1800	208-230	184TZ	TSTAT	Z124	184TBDR7369	\$1,291	S1	23.0-21.0	82	16.72	
7 1/2	1800	208-230	215TZ	TSTAT	Z125	215TBDR7361	\$1,709	S1	35.2	135	19.19	
10	1800	230	215TZ	TSTAT	Z126	215TBDW7362	\$1,804	S1	44.0	158	18.70	
15	1800	230	256TZ	TSTAT	Z127	256TBDX7028	\$2,236	S1	61.0	187	24.06	17

# Condenser Fan, Single Phase, PSC

## 48 Frame, Open Air Over, Shaft Up Thru-Bolt Mount

**Applications:** Direct drive condenser fans mounted vertically, shaft up. Models with open brackets should be mounted where they are shielded from rain. These motors need to be mounted within the airflow of the fan for proper cooling.

- Features:**
- Frame and shaft end bracket enclosed, except X011, X012, and X208 have open frames and X426 has open frame and brackets
  - **Single and multi-speed models as noted**
  - Sleeve or ball bearings, as noted
  - Weather resistant reversing plug
  - 30" long leads
  - Shaft with flat, unless otherwise noted
  - Shaft slinger
  - 1-5/8" Extended thru-bolts on shaft end, except where noted
  - Automatic reset thermal protector
  - Lug mount kits and other accessories available, see Accessories section
  - UL Recognized and CSA Certified
  - **Capacitor not included, see Accessories section**



HP	RPM	VOLTS	FRAME	BRGS.	CAT. NO.	MODEL NO.	LIST PRICE	MULT. SYMB.	F.L. AMPS	APPROX. WGT. LBS.	FRAME LENGTH	SHAFT DIM.	FOOT NOTES
1/4	1625/1	208-230	48Y	SLEEVE	X012*	48A17O2006	\$137	F1	1.8	11	4 1/2	1/2 x 6	30,34,44
	1625/1	460	48Y	BALL	X420*	48A17O169	\$183	F1	1.0	12	4	1/2 x 6	34
	1075/2	208-230	48Y	BALL	X081*	48A11O2031	\$153	F1	1.9	11	4 1/4	1/2 x 6	
	1075/2	208-230	48Y	SLEEVE	X080*	48A11O2030	\$136	F1	1.9	14	4 1/4	1/2 x 6	
	1075/1	208-230	48Y	SLEEVE	X213*	48A11O1524	\$120	F1	1.5	12	4 1/4	1/2 x 6	21
	1075/1	208-230	48Y	SLEEVE	X087*	48A11O2029	\$124	F1	2.0	12	4 1/4	1/2 x 6	
	1075/1	460	48Y	BALL	X423*	48A11O2055	\$141	F1	1.0	13	4 1/4	1/2 x 6	36
	825/1	208-230	48Y	BALL	X097*	48A8O182	\$183	F1	1.67	13	4 1/2	1/2 x 6	
1/3	1625/3	208-230	48Y	SLEEVE	X011*	48A17O2005	\$147	F1	2.3	16	4 3/4	1/2 x 6	30,34,44
	1075/2	208-230	48Y	BALL	X083*	48A11O2034	\$162	F1	3.0	14	4 3/4	1/2 x 6	
	1075/2	208-230	48Y	SLEEVE	X082*	48A11O2033	\$148	F1	3.0	14	4 3/4	1/2 x 6	

\* Stock Model

**Footnotes:**  
17 1.0 Service Factor  
21 60°C Ambient

30 Resilient ring mount, base not included  
34 1" Thru-bolts, shaft end

36 1-1/4" Thru-bolts, shaft end  
44 1" Thru-bolts, opposite shaft end

Continued on next page.

## Condenser Fan, Single Phase, PSC

### 48 Frame, Open Air Over, Shaft Up Thru-Bolt Mount

HP	RPM	VOLTS	FRAME	BRGS.	CAT. NO.	MODEL NO.	LIST PRICE	MULT. SYMB.	F.L. AMPS	APPROX. WGT. LBS.	FRAME LENGTH	SHAFT DIM.	FOOT NOTES
<b>1/3</b>	1075/1	208-230	48Y	SLEEVE	X214*	48A11O1525	\$129	F1	2.6	13	4 1/2	1/2 x 6	21
	1075/1	208-230	48Y	SLEEVE	X088*	48A11O2032	\$133	F1	3.0	12	4 3/4	1/2 x 6	
	1075/1	460	48Y	BALL	X424*	48A11O2054	\$160	F1	1.4	20	4 3/4	1/2 x 6	36
	825/1	208-230	48Y	BALL	X086*	48A8O2001	\$206	F1	2.4	17	5 1/4	1/2 x 6	
<b>1/2</b>	1625/1	460	48Y	BALL	X422*	48A17O172	\$232	F1	1.7	15	5	1/2 x 6	34
	1625/1	575	48Y	BALL	X454*	48A17O250	\$232	F1	1.35	15	5	1/2 x 6	35
	1075/2	208-230	48Y	SLEEVE	X084*	48A11O663	\$166	F1	4.2	18	5 1/2	1/2 x 6	
	1075/2	208-230	48Y	BALL	X096*	48A11O840	\$178	F1	4.2	19	5 1/2	1/2 x 6	
	1075/1	208-230	48Y	SLEEVE	X089*	48A11O2035	\$150	F1	4.2	17	5 1/4	1/2 x 6	
	1075/1	208-230	48Y	SLEEVE	X221*	48A11O1526	\$147	F1	2.7	15	5	1/2 x 6	21
	1075/1	460	48Y	BALL	X400*	48A11O2017	\$180	F1	1.8	17	5	1/2 x 6	34
	1075/1	575	48Y	BALL	X453*	48A11O1771	\$180	F1	1.15	17	5	1/2 x 6	35
	825/1	208-230	48Y	BALL	X098*	48A8O181	\$247	F1	3.3	18	5 1/2	1/2 x 6	
	825/1	208-230	56YZ	BALL	X208*	56A8O5	\$349	F1	3.4	22	8 5/8	5/8 x 6 w/key/flat	30
	<b>3/4</b>	1075/2	208-230	48Y	BALL	X085*	48A11O678	\$206	F1	5.1	18	5 1/2	1/2 x 6
1075/1		208-230	48Y	SLEEVE	X298*	48A11O2059	\$172	F1	4.2	17	5 1/4	1/2 x 6	
1075/1		208-230	48Y	BALL	X090*	48A11O2007	\$194	F1	4.6	17	5 1/2	1/2 x 6	
1075/1		460	48Y	BALL	X099*	48A11O2016	\$207	F1	2.5	20	5 1/2	1/2 x 6	34
1075/1		460	48YZ	BALL	X426*	48A11O1375	\$251	F1	2.2	19	5 1/2	5/8 x 4 1/2 w/key	69
1075/1		575	48Y	BALL	X455*	48A11O1770	\$207	F1	1.7	19	5 1/2	1/2x6	35

\* Stock Model

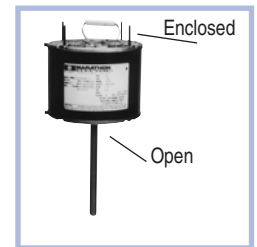
HVAC

## Condenser Fan, Single Phase, PSC

### 48 Frame, Open Air Over, Shaft Down Thru-Bolt Mount

**Applications:** Direct drive condenser fans mounted vertically, shaft down. These motors need to be mounted within the airflow of the fan for proper cooling.

- Features:**
- Frame and opposite shaft end bracket are enclosed for vertical shaft down mounting
  - Weather resistant reversing plug
  - 30" Long leads
  - Shaft slinger
  - 1-1/4" Extended thru-bolts on shaft end, except where noted
  - Automatic reset thermal protector
  - Sleeve Bearings
  - UL Recognized and CSA Certified
  - **Capacitor not included, see Accessories section**



HP	RPM	VOLTS	FRAME	CAT. NO.	MODEL NO.	LIST PRICE	MULT. SYMB.	F.L. AMPS	APPROX. WGT. LBS.	FRAME LENGTH	SHAFT DIM.	FOOT NOTES
<b>1/8</b>	825	208-230	48Y	X278 *	48A8O206	\$168	F1	.9	12	4 1/4	1/2 x 4 3/4	37,44
<b>1/6</b>	1075	208-230	48Y	X440 *	48A11O2065	\$111	F1	1.3	10	4	1/2 x 6	
<b>1/5</b>	1075	208-230	48Y	X216 *	48A11O1097	\$124	F1	1.6	10	3 3/4	1/2 x 6	37,44,60
<b>1/4</b>	1075	208-230	48Y	X441 *	48A11O2062	\$136	F1	1.9	11	4 1/4	1/2 x 6	
<b>1/3</b>	1075	208-230	48Y	X442 *	48A11O2064	\$145	F1	2.7	14	4 3/4	1/2 x 6	
	1075	208-230	48Y	X297 *	48A11T509	\$131	F1	1.8	11	4 1/4	1/2 x 3 3/4	N,29,41,60
<b>1/2</b>	1075	208-230	48Y	X443 *	48A11O2063	\$161	F1	3.9	18	5 1/4	1/2 x 6	
<b>3/4</b>	1075	208-230	48Y	X444 *	48A11O1596	\$214	F1	4.7	18	5 1/2	1/2 x 6	

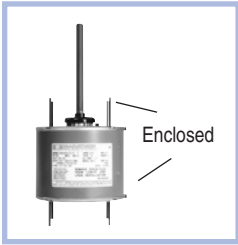
\* Stock Model

**Footnotes:**

- |    |   |    |  |
|----|---|----|--|
| N  | Totally Enclosed, Non-Ventilated  | 37 | 1-1/2" Thru-bolts, shaft end                 |
| 21 | 60°C Ambient  | 41 | 5/8" Thru-bolts, opposite shaft end          |
| 29 | Weep holes with removable plugs on end brackets. Remove bottom plug after installation. | 44 | 1" Thru-bolts, opposite shaft end            |
| 30 | Resilient ring mount, base not included   | 60 | Four locating Set Screws on frame, 90° apart |
| 34 | 1" Thru-bolts, shaft end  | 69 | 50°C Ambient                                 |
| 35 | 1-1/8" Thru-bolts, shaft end  |    |  |

# Condenser Fan, Single Phase, PSC

## 48 Frame, Totally Enclosed Air Over, All Angle Thru-Bolt Mount



**Applications:** Direct drive condenser fans for all angle mounting. These motors need to be mounted within the airflow of the fan for proper cooling.

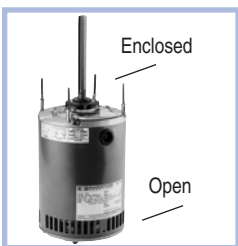
- Features:**
- Frame and end brackets enclosed
  - **Single and multi-speed models, as noted**
  - Sleeve or ball bearings, as noted
  - Weather resistant reversing plug
  - 30" long leads
  - Shaft slinger
  - 1-1/2" Thru-bolts on shaft end, 1" thru-bolts on lead end except where noted
  - Automatic reset thermal protector
  - Weep holes with removable plugs on end brackets. Remove bottom plug after installation.
  - Lug mount kits and other accessories available (see Accessories section)
  - **60°C ambient where noted**
  - UL Recognized and CSA Certified
  - **Capacitor not included, see Accessories section**

HP	RPM	VOLTS	FRAME	BRGS.	CAT. NO.	MODEL NO.	LIST PRICE	MULT. SYMB.	F.L. AMPS	APPROX. WGT. LBS.	FRAME LENGTH	SHAFT DIM.	FOOT NOTES
<b>1/6</b>	1075/2	208-230	48Y	BALL	X429★	48A11T2020	\$149	F1	1.3	11	4	1/2 x 6	36
	1075/1	208-230	48Y	BALL	X427★	48A11T2017	\$141	F1	1.3	10	3 3/4	1/2 x 6	
	1075/1	208-230	48Y	SLEEVE	X411★	48A11T2008	\$124	F1	1.3	10	3 3/4	1/2 x 6	
	825/1	208-230	48Y	SLEEVE	X465★	48A8T11002	\$149	F1	1.1	17	4 1/4	1/2 X 6	21
<b>1/4</b>	1625/2	208-230	48Y	SLEEVE	X463★	48A17T356	\$153	F1	1.4	13	4 1/2	1/2 x 6	21,94
	1075/2	208-230	48Y	BALL	X430★	48A11T463	\$162	F1	1.8	19	4 1/2	1/2 x 6	36
	1075/1	208-230	48Y	SLEEVE	X412★	48A11TB569	\$136	F1	1.4	11	4 1/4	1/2 x 6	DS,21
	1075/1	208-230	48Y	BALL	X428★	48A11T2018	\$157	F1	1.9	12	4 1/4	1/2 x 6	
	1075/1	460	48Y	BALL	X456★	48A11T578	\$162	F1	.75	15	4 1/2	1/2 x 6	21
	840/1	208-230	48Y	SLEEVE	X450★	48A8T71	\$153	F1	1.9	14	5 1/4	1/2 x 6	21
<b>1/3</b>	1075/2	208-230	48Y	BALL	X415★	48A11T2012	\$173	F1	2.6	16	5	1/2 x 6	36
	1075/1	208-230	48Y	SLEEVE	X413★	48A11TB529	\$145	F1	1.9	14	4 3/4	1/2 x 6	DS,21
	1075/1	460	48Y	BALL	X457★	48A11T579	\$172	F1	.90	17	5	1/2 x 6	21,36
	825/1	208-230	48Y	SLEEVE	X451★	48A8T72	\$161	F1	2.3	19	5 3/4	1/2 x 6	21,36
<b>1/2</b>	1625/2	208-230	48Y	SLEEVE	X464★	48A17T359	\$185	F1	3.1-2.9	17	5 1/4	1/2 x 6	21,94
	1075/2	208-230	48Y	BALL	X416★	48A11T2013	\$190	F1	4.2	19	5 1/2	1/2 x 6	36
	1075/1	208-230	48Y	SLEEVE	X414★	48A11TB571	\$161	F1	2.7	16	5	1/2 X 6	DS,21
	1075/1	460	48Y	BALL	X458★	48A11T580	\$190	F1	1.4	20	5 1/2	1/2 x 6	21,36
	825/1	208-230	48Y	SLEEVE	X452★	48A8T73	\$198	F1	3.2	21	6 1/4	1/2 x 6	21
<b>3/4</b>	1075/1	460	48Y	BALL	X459★	48A11T581	\$214	F1	2.1	23	6	1/2 x 6	21,32
<b>1</b>	1075/1	460	48Y	BALL	X462★	48A11T619	\$253	F1	3.4	27	7 1/4	1/2 x 6	21,32

★ Stock Model

# Condenser Fan, Single Phase, PSC

## 56 Frame, Open Air Over, Shaft Up Resilient Ring, Thru-Bolt Mount



**Applications:** Direct drive condenser fans mounted vertically, shaft up or horizontal. These motors need to be mounted within the airflow of the fan for proper cooling.

- Features:**
- Enclosed shaft end bracket with vented frame
  - Threaded lead hole exit
  - Ball bearings
  - 30" long leads
  - Shaft slinger
  - **60°C ambient**
  - Automatic reset thermal protector
  - Flat & keyway on shaft
  - UL Recognized and CSA Certified
  - **Capacitor not included, see Accessories section**

HP	RPM	VOLTS	FRAME	CAT. NO.	MODEL NO.	LIST PRICE	MULT. SYMB.	F.L. AMPS	APPROX. WGT. LBS.	FRAME LENGTH	SHAFT DIM.	FOOT NOTES
<b>3/4</b>	1075	208-230/460	56Y	X207 ★	56A11O5311	\$351	F1	3.9-3.6/1.8	31	8 1/4	5/8 x 6	21,37
<b>1</b>	1075	208-230/460	56Y	X206 ★	56A11O5310	\$370	F1	5.4-5.2/2.6	35	10 1/16	5/8 x 6	21,37
<b>1 1/2</b>	1075	208-230/460	56Y	X271 ★	56A11O5305	\$422	F1	7.7-7.6/3.8	43	9 3/4	5/8 x 6	21,34

★ Stock Model

**Footnotes:**

- DS Sourced
- 21 60°C Ambient
- 32 3/4" Thru-bolts, shaft end
- 34 1" Thru-bolts, shaft end
- 36 1-1/4" Thru-bolts, shaft end
- 37 1-1/2" Thru-bolts, shaft end
- 94 1/2" Thru-bolts, shaft end



## Condenser Fan, Single Phase, PSC

### 48 & 56 Frame, Open Air Over, Shaft Up Belly Band Mount

**Applications:** Heavy duty design for commercial direct drive condenser fans mounted vertically, shaft up. These motors need to be mounted within the airflow of the fan for proper cooling.

- Features:**
- Open frame and end brackets
  - Shaft with flat, unless otherwise noted
  - Unique Rain Shield fits over shaft to protect motor in vertical shaft up position
  - Shaft slinger
  - Automatic reset thermal protector
  - **60°C ambient where noted**
  - Ball Bearings
  - UL Recognized and CSA Certified
  - **Capacitor not included, see Accessories section**



HP	RPM	VOLTS	FRAME	CAT. NO.	MODEL NO.	LIST PRICE	MULT. SYMB.	F.L. AMPS	APPROX. WGT. LBS.	FRAME LENGTH	SHAFT DIM.	FOOT NOTES
.4	1075	200-230/460	48Y	X445*	48A11O1732	\$190	F1	3.0-2.8/1.4	17	5 1/2	1/2 x 4	
.6	1075	200-230/460	48Y	X446*	48A11O1643	\$209	F1	3.0-3.6/1.8	20	6 7/8	1/2 x 4	
.8	1075	200-230/460	48Y	X447*	48A11O1642	\$280	F1	5.0-4.4/2.2	26	8 3/4	1/2 x 4	21
1	1075	200-230/460	56Y	X448*	56A11O5314	\$302	F1	6.0-5.2/2.6	36	8 3/4	5/8 x 4 w /key/flat	21
1.5	1075	200-230/460	56Y	X449	56A11O5315	\$347	F1	7.0-7.0/3.5	38	9 1/4	5/8 x 4	21

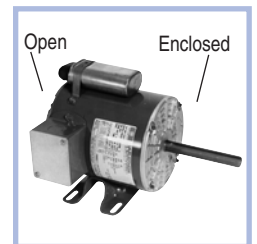
\* Stock Model

## Condenser Fan, Single Phase, PSC

### 56 Frame, Open Air Over, Rigid Base

**Applications:** Condenser fans, installed outdoors. These motors need to be mounted within the airflow of the fan for proper cooling.

- Features:**
- Frame and shaft end bracket enclosed
  - Heavy gauge steel frame and base
  - 56Y frame has non-NEMA BA dimension of 1.97"
  - Automatic reset thermal protector
  - Flat and keyway on shaft
  - Ball Bearings
  - UL Recognized and CSA Certified
  - **Capacitor included on X432, see Accessories section to order capacitor for X433**



HP	RPM	VOLTS	FRAME	CAT. NO.	MODEL NO.	LIST PRICE	MULT. SYMB.	F.L. AMPS	APPROX. WGT. LBS.	"C" DIM.	SHAFT DIM.	FOOT NOTES
3/4	1075	208-230/460	56YZ	X432*	56A11O29	\$311	F1	4.6-4.4/2.2	22	11.88	5/8 x 4 1/2	
1	1075	208-230/460	56YZ	X433*	56A11O30	\$370	F1	5.8-5.4/2.7	27	12.38	5/8 x 4 1/2	

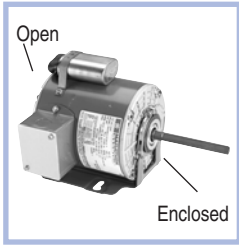
\* Stock Model

**Footnotes:**

21 60°C Ambient

# Condenser Fan, Single Phase, PSC

## 48 Frame, Open Air Over, Resilient Base



**Applications:** Condenser fans, installed outdoors. These motors need to be mounted within the airflow of the fan for proper cooling.

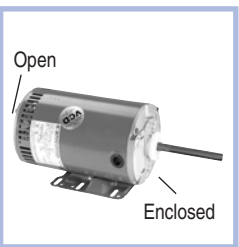
- Features:**
- Frame and shaft end bracket enclosed
  - Resilient "cradle" style base
  - Automatic reset thermal protector
  - UL Recognized and CSA Certified
  - **Capacitor included**

HP	RPM	VOLTS	FRAME	BRGS.	CAT. NO.	MODEL NO.	LIST PRICE	MULT. SYMB.	F.L. AMPS	APPROX. WGT. LBS.	"C" DIM.	SHAFT DIM.	FOOT NOTES
1/2	1075	208-230/460	48YZ	BALL	X431*	48A1101461	\$245	F1	3.0/1.5	19	11.94	1/2 x 4 1/2	

★ Stock Model

# Condenser Fan, Three Phase

## 56 Frame, Open Air Over, Shaft Up & Horizontal Rigid Base Mounting



**Applications:** Commercial condenser fans may be installed outdoors. These motors need to be mounted within the airflow of the fan for proper cooling. Used on Trane, Carrier, Climtrol and York units, 5 tons and larger.

- Features:**
- Enclosed shaft end bracket, vented frame
  - Continuous duty, air over
  - Automatic reset thermal protector
  - Shaft slinger
  - Threaded lead exit
  - **60°C ambient**
  - Nameplated 60/50 hertz 190/380 volts, at next lower HP
  - Double sealed ball bearings
  - Flat and keyway on shaft
  - **Patented VCD™** - Voltage Change Device (as noted)
  - Ball Bearings
  - UL Recognized and CSA Certified



HP	RPM	VOLTS	FRAME	CAT. NO.	MODEL NO.	LIST PRICE	MULT. SYMB.	F.L. AMPS	APPROX. WGT. LBS.	"C" DIM.	SHAFT DIM.	FOOT NOTES
1/3	1140	208-230/460	56Z	X532*	56T11011001	\$330	F1	2.6-2.5/1.25	25	13.37	5/8 x 5	
1/2	1140	208-230/460	56Z	X533*	56T11011002	\$355	F1	2.2-2.0/1.0	25	13.37	5/8 x 5	
	850	208-230/460	56HZ	X529*	56T805531	\$480	F1	2.9-3.0/1.5	39	14.68	5/8 x 5	VC,5
3/4	1140	208-230/460	56HZ	X512	56T11015511	\$373	F1	2.7-3.0/1.5	28	14.18	5/8 X 5	VC,5
1	1140	208-230/460	56HZ	X513*	56T1105305	\$405	F1	4.1-4.2/2.1	30	14.68	5/8 x 5	VC,5
	850	208-230/460	56HZ	X528*	56T805306	\$539	F1	5.1-5.3/2.65	46	17.06	5/8 x 5	VC,5
1 1/2	1140	208-230/460	56HZ	X523*	56T1105306	\$440	F1	5.45-5.4/2.7	38	15.68	5/8 x 5	VC,5
	850	208-230/460	56HZ	X531*	56T8015504	\$586	F1	7.1-7.0/3.5	48	16.68	5/8 x 5	VC,5
2	1140	208-230/460	56HZ	X525*	56T1105310	\$476	F1	7.2-6.8/3.4	47	16.68	5/8 x 5	VC,5

★ Stock Model

**Footnotes:**

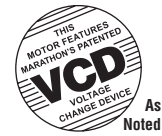
VC Voltage Change Device feature for quick voltage changes  
 5 56H, 143T, and 145T Combination Base with 12 mounting holes

# Condenser Fan, Three Phase, Open Air Over

## 56 Frame, Belly Band/Resilient Mount

**Applications:** Commercial condenser fans may be installed outdoors. These motors need to be mounted within the airflow of the fan for proper cooling. Used on Trane, Carrier, Climtrol and York units, 5 tons and larger.

- Features:**
- Enclosed shaft end bracket, vented frame
  - **60°C ambient**
  - Automatic reset thermal protector
  - Nameplate 60/50 hertz 190/380 volts, at next lower HP
  - Double sealed ball bearings
  - 5/8" Dia. x 5" long shaft with flat and keyway
  - Shaft slinger
  - Threaded lead exit
  - **Patented VCD™** - Voltage Change Device
  - 4 Locating screws 90 degrees apart, 3.33" from outer edge of shaft slinger
  - Hubs on both ends will accept resilient base kits, see Accessories section (except X524 and X526 - horizontal only)
  - Ball Bearings
  - UL Recognized and CSA Certified



HP	RPM	VOLTS	FRAME	CAT. NO.	MODEL NO.	LIST PRICE	MULT. SYMB.	F.L. AMPS	APPROX. WGT. LBS.	BODY LGTH	FOOT NOTES
<b>1/3</b>	850	208-230/460	56Y	X511★	56T8O5303	\$433	F1	2.3-2.5/1.25	24	9 1/2	VC
<b>1/2</b>	1140	200-230/460	56Y	X500★	56T11O5300	\$344	F1	2.4-2.7/1.3	22	9	VC
	850	208-230/460	56Y	X505	-----	\$466	F1	2.9-3.0/1.5	27	-----	VC
<b>3/4</b>	1140	200-230/460	56Y	X501★	56T11O5301	\$381	F1	3.1-3.2/1.6	25	9 1/2	VC
	850	208-230/460	56Y	X506	56T8O5301	\$504	F1	4.1-4.2/2.1	38	11	VC
<b>1</b>	1140	200-230/460	56Y	X502★	56T11O5302	\$399	F1	4.0-4.2/2.1	29	10	VC
	1140	575	56Y	X522★	56T11O5308	\$397	F1	1.7	30	10	VC,70
	850	200-230/460	56Y	X507★	56T8O5302	\$524	F1	5.3-5.3/2.6	46	12	VC
	850	575	56Y	X527★	56T8O5304	\$522	F1	2.1	54	12	VC,70
<b>1 1/2</b>	1140	200-230/460	56Y	X503★	56T11O5303	\$436	F1	5.5-5.4/2.7	37	11	VC
	1140	575	56Y	X524★	56T11O5307	\$434	F1	2.2	37	11	VC,73
	850	208-230/460	56Y	X530★	56T8O5307	\$564	F1	7.5-6.8/3.4	47	11 1/4	VC
<b>2</b>	1140	208-230/460	56Y	X509★	56T11O5304	\$473	F1	7.2-6.8/3.4	46	12	VC
	1140	575	56Y	X526★	56T11O5309	\$1,787	F1	2.7	46	11 5/8	VC,73

★ Stock Model

**Footnotes:**

- VC Voltage Change Device feature for quick voltage changes
- 70 Not Nameplated 50 hz
- 73 No Hubs

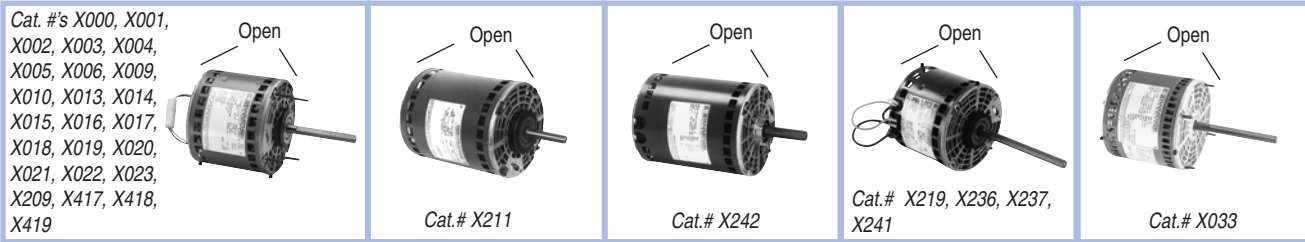
HVAC

# Direct Drive Fan and Blower, Single Phase, PSC

## Open Air Over, Round Body With Resilient Ring And/Or Thru-Bolt Mount

**Applications:** Residential and commercial furnaces, air conditioners, exhaust fans, and other air handling equipment installed in clean and dry environments.

- Features:**
- Open frames and brackets (except X011 and X012 have enclosed shaft end bracket)
  - **Single and multi-speed models as noted**
  - Grommated lead exit
  - Weather resistant reversing plug
  - 2-1/4" resilient ring mounting except where noted (base not included, see Accessories section)
  - 2 1/2" adapter rings supplied, shipped loose in box
  - Extended thru-bolts on shaft end
  - 30" long leads
  - Automatic reset thermal protector
  - Sleeve or ball bearings as noted
  - UL Recognized and CSA Certified
  - **Capacitor not included, see Accessories section**



HP	RPM	VOLTS	FRAME	BRGS.	CAT. NO.	MODEL NO.	LIST PRICE	MULT. SYMB.	F.L. AMPS	APPROX. WGT. LBS.	FRAME LENGTH	SHAFT DIM.	FOOT NOTES	
1/5	1075/3	115	48Y	SLEEVE	X219*	48A11O2047	\$123	F1	3.5	11	4	1/2 x 4	39,51	
	1/4	1625/3	115	48Y	SLEEVE	X013*	48A17O152	\$135	F1	4.0	12	4 1/2	1/2 x 4	32
		1625/3	208-230	48Y	SLEEVE	X014*	48A17O154	\$137	F1	1.8	11	4 1/4	1/2 x 4	32
		1625/1	208-230	48Y	SLEEVE	X012*	48A17O2006	\$137	F1	1.8	11	4 1/2	1/2 x 6	34,44
		1075/3	115	48Y	SLEEVE	X000*	48A11OB1798	\$129	F1	3.4	12	4 1/4	1/2 x 4	DS,32
		1075/3	208-230	48Y	SLEEVE	X001*	48A11O1799	\$133	F1	1.5	12	4 1/2	1/2 x 4	32
		1075/3	277	48Y	SLEEVE	X018*	48A11O1350	\$139	F1	1.6	10	4 1/4	1/2 x 4	32
		1075/1	208-230	48Y	SLEEVE	X006*	48A11O2001	\$127	F1	2.0	12	4 1/4	1/2 x 4	32
		1075/1	208-230	48Y	BALL	X417*	48A11O2051	\$136	F1	2.2	12	4 1/4	1/2 x 6	37,51
		1/3	1625/3	115	48Y	SLEEVE	X015*	48A17O151	\$143	F1	4.1	14	4 3/4	1/2 x 4
1625/3	208-230		48Y	SLEEVE	X011*	48A17O2005	\$147	F1	2.3	16	4 3/4	1/2 x 6	34,44	
1075/4	115		48Y	SLEEVE	X236*	48A11O699	\$161	F1	6.4	13	4 3/4	1/2 x 6	39	
1075/4	208-230		48Y	SLEEVE	X237	48A11O694	\$164	F1	4.8	16	5 1/4	1/2 x 6	39	
1075/3	115		48Y	SLEEVE	X002*	48A11OB1769	\$139	F1	4.6	14	4 3/4	1/2 x 4	DS,32	
1075/3	208-230		48Y	SLEEVE	X003*	48A11OB2042	\$141	F1	3.3	14	4 3/4	1/2 x 4	DS,32	
1075/3	277		48Y	SLEEVE	X019*	48A11O1351	\$148	F1	2.7	15	4 3/4	1/2 x 4	32	
1075/1	208-230		48Y	BALL	X418*	48A11O2052	\$144	F1	3.1	13	4 1/2	1/2 x 6	37,51	
825/1	230		48Y	SLEEVE	X209*	48A8O183	\$177	F1	2.8	18	5 3/4	1/2 x 5 1/2	34,50	
1/2	1625/3		115	48Y	SLEEVE	X016*	48A17O153	\$160	F1	7.4	16	5 1/4	1/2 x 4	32
	1625/3	208-230	48Y	SLEEVE	X017*	48A17O155	\$162	F1	4.1	16	5 1/4	1/2 x 4	32	
	1075/4	115	48Y	SLEEVE	X033*	48A11O1674	\$135	F1	6.1	14	5	1/2 x 5	31,73	
	1075/3	115	48Y	SLEEVE	X004	48A11OB1755	\$156	F1	6.2	17	5 1/2	1/2 x 4	DS,32	
	1075/3	208-230	48Y	SLEEVE	X005*	48A11O1756	\$158	F1	2.6	17	5 1/2	1/2 x 4	32	
	1075/3	277	48Y	SLEEVE	X020*	48A11O1352	\$165	F1	3.6	17	5 1/2	1/2 x 4	32	
	1075/1	208-230	48Y	BALL	X419*	48A11O2053	\$161	F1	4.2	17	5 1/4	1/2 x 6	37,51	
	3/4	1625/3	230	48Y	SLEEVE	X022*	48A17O174	\$178	F1	5.5	18	5 1/2	1/2 x 5 1/2	39,50
1075/4		208-230	48Y	SLEEVE	X241*	48A11O697	\$207	F1	5.4	17	5 1/2	1/2 x 6	39	
1075/3		115	48Y	SLEEVE	X009*	48A11O787	\$182	F1	10.2	20	5 3/4	1/2 x 4	32	
1075/3		208-230	48Y	SLEEVE	X010*	48A11O2046	\$185	F1	5.6	18	5 1/2	1/2 x 4	32	
1075/3		277	48Y	SLEEVE	X021*	48A11O1353	\$190	F1	5.0	20	5 3/4	1/2 x 4	32	
1	1625/2	208-230	48Y	BALL	X211*	48A17O125	\$231	F1	6.2	20	6 1/4	1/2 x 2 1/2	39,42,50	
	1075/3	230	48Y	BALL	X023*	48A11O1583	\$211	F1	5.3	24	6 1/2	1/2 x 5 1/2	34,51	
	1000/3	208-230	48YZ	BALL	X242*	48A11O756	\$351	F1	6.2	26	7 1/4	5/8 x 4	39,51,68	

\* Stock Model

**Footnotes:**

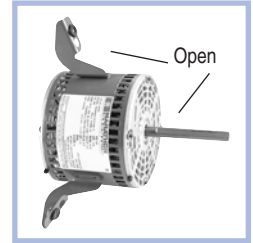
- |    |                              |    |   |
|----|------------------------------|----|---|
| DS | Sourced                      | 42 | 3/4" Thru-bolts, opposite shaft end                     |
| 31 | 5/8" Thru-bolts, shaft end   | 44 | 1" Thru-bolts, opposite shaft end                       |
| 32 | 3/4" Thru-bolts, shaft end   | 50 | 2-1/2" Resilient Rings included                         |
| 34 | 1" Thru-bolts, shaft end     | 51 | Does not include resilient rings, see Accessory Section |
| 37 | 1-1/2" Thru-bolts, shaft end | 68 | Nameplated 60/50 hz                                     |
| 39 | No Thru-bolts, shaft end     | 73 | No Hubs   |

# Direct Drive Fan and Blower, Single Phase, PSC

Open Air Over, Flex Mount

**Applications:** Residential and commercial furnaces, air conditioners, exhaust fans, and other air handling equipment installed in clean and dry environments.

- Features:**
- Open frame and brackets
  - Three lug mount fits 9" or 10" bolt circle. Mounting holes on lugs are .435" dia., with grommets and sleeves for .26" dia. option.
  - **Multi-speed capability**
  - Weather resistant reversing plug
  - 30" long leads
  - Automatic reset thermal protector
  - Sleeve Bearings
  - UL Recognized and CSA Certified
  - **Capacitor not included, see Accessories section**



HP	RPM	VOLTS	FRAME	CAT. NO.	MODEL NO.	LIST PRICE	MULT. SYMB.	F.L. AMPS	APPROX. WGT. LBS.	FRAME LENGTH	SHAFT DIM.	FOOT NOTES
<b>1/4</b>	1075/4	115	48Y	X034 *	48A11O1773	\$149	F1	3.3	14	4 1/4	1/2 x 6	
<b>1/3</b>	1075/4	115	48Y	X035 *	48A11O1774	\$160	F1	4.5	15	4 1/2	1/2 x 6	
<b>1/2</b>	1075/4	115	48Y	X036 *	48A11O1772	\$177	F1	6.0	18	5	1/2 x 6	

\* Stock Model

## Direct Drive Fan & Blower

Single Phase, PSC, 48 Frame

Open Air Over, Round Body with Thru-Bolt Mount

HVAC

**Applications:** Residential and commercial furnaces, air conditioners, exhaust fans, and other air handling equipment installed in clean and dry environments.

- Features:**
- Enclosed frame and open end brackets
  - **Multi-speed capability**
  - Grommeted lead exit
  - Weather resistant reversing plug
  - Automatic reset thermal protector
  - 7/8" extended thru-bolts on shaft end
  - Ball Bearings
  - UL Recognized and CSA Certified
  - **Capacitor not included, see Accessories section**



HP	RPM	VOLTS	FRAME	CAT. NO.	MODEL NO.	LIST PRICE	MULT. SYMB.	F.L. AMPS	APPROX. WGT. LBS.	FRAME LENGTH	SHAFT DIM.	FOOT NOTES
<b>1/3</b>	1075/2	460	48Y	X037 *	48A11O1876	\$278	F1	1.0	15	4 3/4	1/2 X 6	51
<b>1/2</b>	1075/2	460	48Y	X038 *	48A11O1874	\$284	F1	1.6	17	5 1/4	1/2 X 6	51
<b>3/4</b>	1075/2	460	48Y	X039 *	48A11O1875	\$289	F1	2.1	20	5 1/2	1/2 X 6	51

\* Stock Model

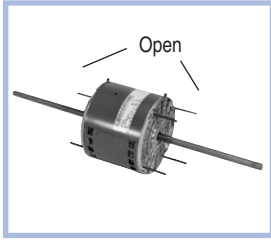
**Footnotes:**

51 Does not include resilient rings, see Accessories section



# Double Shaft Fan and Blower, Single Phase, PSC

## Open Air Over, Belly Band Thru-Bolt



**Applications:** Continuous air over applications, such as room air conditioners, fan coil units, and other air moving applications.

- Features:**
- Open frame and brackets
  - **Multi-speed capability**
  - Automatic reset thermal protector
  - 30" leads
  - **CCW rotation, fixed lead end**
  - 1" extended Thru-bolts both ends
  - 20" overall length
  - Length adapter kits included where noted
  - Sleeve Bearings
  - UL Recognized and CSA Certified
  - **Capacitor not included, see Accessories section**

HP	RPM	VOLTS	FRAME	CAT. NO.	MODEL NO.	LIST PRICE	MULT. SYMB.	F.L. AMPS	APPROX. WGT. LBS.	FRAME LENGTH	SHAFT DIM.	FOOT NOTES
<b>1/8</b>	1075/3	115	48Y	X064★	48A11O2011	\$123	F1	2.4	18	4	8 1/5 x 1/2 x 7 7/8	d
	1075/3	115	48Y	X056★	48A11O901	\$136	F1	2.4	13	4	8 1/5 x 1/2 x 7 7/8	71
	1075/3	208-230	48Y	X065★	48A11O2012	\$123	F1	1.0	10	4	8 1/5 x 1/2 x 7 7/8	
	1075/3	208-230	48Y	X057	48A11O900	\$136	F1	1.0	13	4	8 1/5 x 1/2 x 7 7/8	71
<b>1/6</b>	1075/3	115	48Y	X048	48A11O772	\$124	F1	3.0	18	4	8 1/5 x 1/2 x 7 7/8	
	1075/3	115	48Y	X042★	48A11O653	\$139	F1	3.0	11	4	8 1/5 x 1/2 x 7 7/8	71
	1075/3	208-230	48Y	X049★	48A11O773	\$124	F1	1.5	9	4	8 1/5 x 1/2 x 7 7/8	
	1075/3	208-230	48Y	X043★	48A11O654	\$139	F1	1.5	11	4	8 1/5 x 1/2 x 7 7/8	71
<b>1/4</b>	1625/3	208-230	48Y	X059★	48A17O2002	\$137	F1	1.8	12	4 1/4	8 x 1/2 x 7 7/8	d
	1625/3	208-230	48Y	X040★	48A17O69	\$152	F1	1.8	12	4 1/4	8 x 1/2 x 7 7/8	71
	1075/3	115	48Y	X066★	48A11O2013	\$133	F1	4.2	15	4 1/2	7 5/8 x 1/2 x 7 7/8	d
	1075/3	115	48Y	X061★	48A11O2022	\$148	F1	4.8	13	4 1/4	8 x 1/2 x 7 7/8	71
	1075/3	208-230	48Y	X050★	48A11O774	\$133	F1	2.2	13	4 1/4	8 x 1/2 x 7 7/8	
	1075/3	208-230	48Y	X044★	48A11O655	\$148	F1	2.2	16	4 1/4	8 x 1/2 x 7 7/8	71
<b>1/3</b>	1625/3	208-230	48Y	X060	48A17O2003	\$147	F1	2.5	14	4 3/4	7 1/2 x 1/2 x 7 7/8	d
	1625/3	208-230	48Y	X041★	48A17O70	\$160	F1	2.5	15	4 3/4	7 1/2 x 1/2 x 7 7/8	71
	1075/3	115	48Y	X070★	48A11O2024	\$156	F1	7.8	15	4 3/4	7 1/2 x 1/2 x 7 7/8	71
	1075/3	208-230	48Y	X052★	48A11O775	\$141	F1	3.4	15	4 3/4	7 1/2 x 1/2 x 7 7/8	
	1075/3	208-230	48Y	X045★	48A11O656	\$156	F1	3.4	17	4 3/4	7 1/2 x 1/2 x 7 7/8	71
	1075/3	208-230	48Y	X258★	48A11O1167	\$137	F1	2.3	14	4 1/4	6 7/8 x 1/2 x 6 7/8	
<b>1/2</b>	1625/3	208-230	48Y	X058★	48A17O2001	\$180	F1	4.1	17	5 1/4	7 x 1/2 x 7 7/8	71
	1625/3	208-230	48Y	X069	48A17O2004	\$165	F1	4.1	16	5 1/4	7 x 1/2 x 7 7/8	
	1075/3	115	48Y	X071★	48A11O2026	\$176	F1	9.4	20	5 1/2	6 5/8 x 1/2 x 7 7/8	71
	1075/3	208-230	48Y	X062	48A11O2009	\$176	F1	4.7	17	5 1/2	6 5/8 x 1/2 x 7 7/8	71
	1075/3	208-230	48Y	X067★	48A11O2014	\$161	F1	4.7	18	5 1/2	6 5/8 x 1/2 x 7 7/8	
<b>3/4</b>	1075/3	208-230	48Y	X068★	48A11O2015	\$183	F1	5.0	15	5 3/4	6 3/4 x 1/2 x 6 7/8	
	1075/3	208-230	48Y	X063★	48A11O2028	\$197	F1	5.4	19	5 1/2	6 5/8 x 1/2 x 7 7/8	71

★ Stock Model

**Footnotes:**

- d To be discontinued after current stock is gone
- 71 Includes length adapter bracket

# Exhaust Ventilators, Commercial and Industrial, Single Phase

Dripproof, C-Face

**Applications:** Commercial and industrial fan and blower exhaust ventilators.

- Features:**
- Split phase or capacitor start designs
  - No thermal overload protection
  - NEMA Service Factor
  - Ball Bearings



HP	RPM	VOLTS	FRAME	CAT. NO.	MODEL NO.	LIST PRICE	MULT. SYMB.	F.L. AMPS	APPROX. WGT. LBS.	"C" DIM.	SHAFT DIM.	FOOT NOTES
<b>1/6</b>	1725	115	56CZ	B308 *	56S17D2053	\$135	F1	3.6	12	10.31	5/8 x 2 1/4	3
	1140	115	56C	B380 *	48S11D53	\$206	F1	3.3	19	11.19	5/8 x 1 7/8	3
<b>1/4</b>	1725	115	56CZ	B309 *	56S17D2054	\$143	F1	5.0	13	10.31	5/8 x 2 1/4	3
	1140	115	56C	B381 *	56S11D2021	\$244	F1	6.4	22	11.44	5/8 x 1 7/8	3
<b>1/3</b>	1725	115	56CZ	B320 *	56S17D2055	\$162	F1	6.1	15	10.56	5/8 x 2 1/4	3
<b>1/2</b>	1725	115	56CZ	B321 *	56S17D2056	\$214	F1	7.2	19	11.31	5/8 x 2 1/4	3
	1140	115/208-230	56C	G278 *	56C11D5304	\$417	F1	10.6/5.1-5.3	33	11.94	5/8 x 1 7/8	2

\* Stock Model

HVAC

**Footnotes:**

- 2 Capacitor Start Induction Run design
- 3 Split phase design

# Fan and Blower, Single Phase, Split Phase

## Dripproof, Resilient Base



**Applications:** Residential & commercial fans & blowers where low starting torque is required (air conditioning, roof ventilators, & exhaust fans).

- Features:**
- All angle sleeve or ball bearings
  - NEMA Service Factors
  - Variable torque on two speed motors
  - Extended Thru-bolts where noted
  - Heavy gauge steel frame with resilient "cradle" style base
  - 48Y and 48YZ Frame have 48/56 Frame mounting holes
  - UL Recognized and CSA Certified

HP	RPM	VOLTS	FRAME	BRGS.	OVER LOAD	CAT. NO.	MODEL NO.	LIST PRICE	MULT. SYMB.	SERVICE FACTOR	F.L. AMPS	APPROX. WGT. LBS.	"C" DIM.	FOOT NOTES
<b>1/6</b>	1725/1140	115	48Z	BALL	NONE	B604★	48S17D7206	\$158	F1	1.35	3.4/1.9	16	10.22	32,52
	1725/1140	115	48Z	BALL	AUTO	B605	48S17D7207	\$165	F1	1.35	3.4/1.9	12	10.22	32,52
	1725	115	48Y	SLEEVE	AUTO	D107★	48S17D2017	\$112	F1	1.35	3.6	13	8.99	CF
	1725	115	48YZ	BALL	NONE	B300★	48S17D2052	\$123	F1	1.35	3.6	13	9.32	CF,31,52
	1725	115	48YZ	BALL	AUTO	B322★	48S17D2053	\$129	F1	1.35	3.6	13	9.32	CF,31,52
<b>1/4</b>	1725/1140	115	48Y	SLEEVE	AUTO	D180	48S17D7204	\$172	F1	1.35	4.1/2.5	18	10.06	
	1725/1140	115	48YZ	BALL	AUTO	B384★	48S17D7201	\$189	F1	1.35	4.1/2.5	18	10.72	32,52
	1725/1140	115	48YZ	BALL	NONE	B383★	48S17D7200	\$182	F1	1.35	4.1/2.5	19	10.72	32,52
	1725	115	48Y	SLEEVE	AUTO	D127★	48S17D2083	\$121	F1	1.35	5.0	14	9.09	
	1725	115	48YZ	SLEEVE	AUTO	B206★	48S17D2107	\$121	F1	1.35	5.0	14	9.62	CF,53
	1725	115	48YZ	BALL	NONE	B302★	48S17D2054	\$132	F1	1.35	5.0	14	9.57	CF,31,52
	1725	115	48YZ	BALL	AUTO	B303★	48S17D2055	\$139	F1	1.35	5.0	14	9.57	CF,31,52
	1725	115	56Z	SLEEVE	AUTO	B201★	56S17D2047	\$125	F1	1.35	5.0	14	9.47	32,53
	1725	230	48Y	SLEEVE	AUTO	D129★	48S17D2084	\$129	F1	1.35	2.5	13	9.09	
1725	277	48YZ	BALL	NONE	B606★	48S17D2116	\$162	F1	1.35	2.1	14	9.47	31,52	
<b>1/3</b>	1725/1140	115	48Y	SLEEVE	AUTO	D181	48S17D7205	\$214	F1	1.35	5.3/2.9	20	10.06	
	1725/1140	115	56	BALL	NONE	B387★	56S17D7202	\$230	F1	1.35	5.3/2.9	21	10.72	31
	1725/1140	115	56	BALL	AUTO	B388★	56S17D7203	\$236	F1	1.35	5.3/2.9	20	10.72	31
	1725	115	48Y	SLEEVE	AUTO	D143★	48S17D2086	\$141	F1	1.35	6.1	15	9.34	
	1725	115	48Y	BALL	AUTO	B703★	48N17D14	\$190	F1	1.35	3.2	18	9.84	74
	1725	115	48YZ	SLEEVE	AUTO	B207★	48S17D2108	\$141	F1	1.35	5.5	15	9.62	CF,53
	1725	115	48YZ	BALL	NONE	B304★	48S17D2056	\$152	F1	1.35	5.5	15	9.32	CF,31,52
	1725	115	48YZ	BALL	AUTO	B305★	48S17D2057	\$158	F1	1.35	5.5	15	9.32	CF,31,52
	1725	115	56Z	SLEEVE	AUTO	B202★	56S17D2048	\$145	F1	1.35	6.1	15	9.72	32,53
	1725	230	48Y	SLEEVE	AUTO	D145★	48S17D2027	\$149	F1	1.35	3.1	15	9.34	
	1725	277	48YZ	BALL	NONE	B607	48S17D2117	\$182	F1	1.35	2.5	15	9.72	31,52
	<b>1/2</b>	1725/1140	115	56	BALL	NONE	B389★	56S17D5700	\$290	F1	1.25	8.1/4.5	30	11.85
1725/1140		115	56	BALL	AUTO	B600★	56S17D5701	\$297	F1	1.25	8.1/4.5	30	11.85	31
1725		115	48Y	SLEEVE	AUTO	D162★	48S17D2087	\$193	F1	1.25	7.2	19	10.09	
1725		115	48YZ	SLEEVE	AUTO	B208★	48S17D2109	\$193	F1	1.25	7.5	17	10.43	CF,53
1725		115	48YZ	BALL	NONE	B306★	48S17D2058	\$203	F1	1.25	7.5	17	10.32	CF,31,52
1725		115	48YZ	BALL	AUTO	B307★	48S17D2059	\$210	F1	1.25	7.5	17	10.32	CF,31,52
1725		115	56	BALL	AUTO	B348★	56S17D2059	\$214	F1	1.25	7.2	20	10.47	31
1725		115	56	SLEEVE	AUTO	D149★	56S17D2050	\$197	F1	1.25	7.2	20	10.47	
1725		115	56Z	SLEEVE	AUTO	B200★	56S17D2049	\$197	F1	1.25	7.2	20	10.47	32,53
1725		115/230	56	SLEEVE	AUTO	B100★	56S17D2064	\$207	F1	1.25	7.2/3.6	20	10.47	
1725		230	48Y	SLEEVE	AUTO	D163★	48S17D2088	\$202	F1	1.25	3.6	19	10.09	
<b>3/4</b>	1725	115	56	SLEEVE	AUTO	D164★	56S17D2060	\$256	F1	1.15	10.6	23	11.72	

★ Stock Model

**Footnotes:**

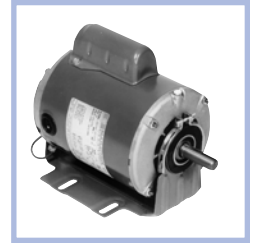
- CF Consult Factory for Accessory Kit and/or Modification Selection
- 31 5/8" Thru-bolts, shaft end
- 32 3/4" Thru-bolts, shaft end
- 52 1/2" x 1-7/8" Shaft with 1-5/8" Flat
- 53 1/2" Shaft with 5/8" adapter with Key
- 74 Split phase/capacitor run electrical design

# Fan and Blower, Single Phase, Capacitor Start

## Dripproof, Resilient Base

**Applications:** Residential & commercial fans & blowers where high starting torque is required.

- Features:**
- All angle sleeve or ball bearings, as noted
  - Heavy gauge steel frame with resilient "cradle" style base
  - NEMA Service Factors
  - Variable torque on 2 speed motors
  - 48Y and 48YZ Frame have 48/56 Frame mounting holes
  - UL Recognized and CSA Certified



HP	RPM	VOLTS	FRAME	BRGS.	OVER LOAD	CAT. NO.	MODEL NO.	LIST PRICE	MULT. SYMB.	SERVICE FACTOR	F.L. AMPS	APPROX. WGT. LBS.	"C" DIM.	FOOT NOTES
<b>1/4</b>	1725	115/208-230	48Y	SLEEVE	NONE	G114★	48C17D2036	\$162	F1	1.35	5.0/2.3-2.5	14	9.84	
	1725	115/208-230	48YZ	BALL	AUTO	B313★	48C17D2042	\$189	F1	1.35	5.2/2.8-2.6	15	9.95	CF,31,52
	1725	115/208-230	48YZ	BALL	NONE	B312	48C17D2041	\$180	F1	1.35	6.2/2.8-3.1	14	9.72	31,52
	1725	115/230	48Y	SLEEVE	AUTO	G115★	48C17D2018	\$171	F1	1.35	5.4/2.7	17	10.34	
<b>1/3</b>	1725	115/208-230	48YZ	BALL	NONE	B314	48C17D2043	\$213	F1	1.35	5.8/3.1-2.9	18	10.22	31,52
	1725	115/208-230	48YZ	BALL	AUTO	B315★	48C17D2044	\$220	F1	1.35	5.8/3.1-2.9	17	10.22	31,52
	1725	115/208-230	56	BALL	AUTO	B210★	56C17D2100	\$225	F1	1.35	5.8/3.1-2.9	18	10.22	31
	1725	115/230	48YZ	SLEEVE	AUTO	D119★	48C17D2055	\$203	F1	1.35	5.8/2.9	17	10.22	31,52
	1725	115/230	56	SLEEVE	AUTO	G135★	56C17D2088	\$207	F1	1.35	6.4/3.2	19	10.22	
<b>1/2</b>	3450	115/208-230	48Y	SLEEVE	AUTO	D110★	48C34D2022	\$164	F1	1.25	7.4/3.5-3.7	18	10.34	
	1725	115/208-230	56	BALL	NONE	B316★	56C17D2071	\$242	F1	1.25	7.2/3.6	21	10.47	31
	1725	115/208-230	56	BALL	AUTO	B317★	56C17D2072	\$263	F1	1.25	8.0/4.1-4.0	17	10.32	CF,31
	1725	115/230	56	SLEEVE	AUTO	D111★	56C17D2079	\$246	F1	1.25	7.2/3.6	21	10.72	
	1725	115/230	56	SLEEVE	AUTO	G151★	56C17D2025	\$246	F1	1.25	8.6/4.3	24	11.72	
	1725	277	56	BALL	NONE	B608★	56C17D2113	\$275	F1	1.25	3.6	25	11.72	
<b>3/4</b>	3450	115/208-230	56	SLEEVE	AUTO	D117★	56C34D2095	\$213	F1	1.25	9.8/4.8-4.9	20	11.22	
	1725/1140	115	56	BALL	AUTO	B332	56B17D5701	\$440	F1	1.25	8.9/6.1	40	12.85	1,31
	1725/1140	115	56	BALL	NONE	B331★	56B17D5700	\$433	F1	1.25	8.9/6.1	40	12.85	1,31
	1725/1140	208-230	56	BALL	NONE	B350★	56B17D5706	\$442	F1	1.25	4.5/3.1	40	12.85	1,31
	1725	115/208-230	56	BALL	AUTO	B319★	56C17D2074	\$321	F1	1.25	10.0/5.2-5.0	19	10.72	CF,31
	1725	115/208-230	56	BALL	NONE	B318★	56C17D2073	\$300	F1	1.25	10.0/5.2-5.0	19	10.72	CF,31
	1725	115/208-230	56	BALL	NONE	G156★	56B17D2012	\$303	F1	1.25	11.0/5.5-5.5	27	11.47	1
	1725	115/230	56	SLEEVE	AUTO	D113★	56C17D2080	\$304	F1	1.25	10.6/5.3	25	11.72	
	1725	277	56	BALL	NONE	B609★	56B17D2013	\$335	F1	1.25	4.3	26	11.47	1,31
<b>1</b>	3450	115/208-230	56	BALL	AUTO	K136★	56C34D5314	\$266	F1	1.25	13.6/6.9-6.8	28	11.35	
	3450	115/208-230	56	SLEEVE	AUTO	D118★	56C34D2106	\$249	F1	1.15	12.0/6.2-6.0	25	12.22	
	1725/1140	115	56	BALL	AUTO	B335	56B17D5703	\$548	F1	1.15	11.5/7.0	41	12.85	1,31
	1725/1140	115	56	BALL	NONE	B334★	56B17D5702	\$541	F1	1.15	11.5/7.0	39	12.85	1,31
	1725	115/208-230	56	BALL	AUTO	D114★	56C17D5345	\$345	F1	1.15	12.8/6.4-6.4	28	11.35	
	1725	115/208-230	56	BALL	AUTO	B311★	56C17D5322	\$348	F1	1.15	12.8/6.4-6.4	29	11.35	32
	1725	115/208-230	56	BALL	NONE	B310★	56C17D5321	\$322	F1	1.15	12.8/6.4-6.4	29	11.35	32
	1725	277	56	BALL	NONE	B337★	56C17D5348	\$359	F1	1.25	5.6	31	11.85	32

★ Stock Model

Continued on next page.

**Footnotes:**

- CF Consult Factory for Accessory Kit and/or Modification Selection
- 1 Capacitor Start/Capacitor Run design for reduced amperage
- 31 5/8" Thru-bolts, shaft end
- 32 3/4" Thru-bolts, shaft end
- 52 1/2" x 1-7/8" Shaft with 1-5/8" Flat

# Fan and Blower, Single Phase, Capacitor Start

Drip-proof, Resilient Base

HP	RPM	VOLTS	FRAME	BRGS.	OVER LOAD	CAT. NO.	MODEL NO.	LIST PRICE	MULT. SYMB.	SERVICE FACTOR	F.L. AMPS	APPROX. WGT. LBS.	"C" DIM.	FOOT NOTES
<b>1 1/2</b>	3450	115/208-230	56	BALL	AUTO	D115 *	56B34D2027	\$346	F1	1.15	13.4/7.4-6.7	32	11.72	1
	1725	115/208-230	145T	BALL	NONE	I146 *	145TCDR5331	\$392	S1	1.15	18.0/9.3-9.0	42	13.22	32
	1725	115/208-230	56H	BALL	NONE	B336 *	56C17D5347	\$386	F1	1.15	18.0/9.3-9.0	41	12.85	5,32
	1725	115/208-230	56H	BALL	AUTO	B330 *	56C17D5316	\$401	F1	1.15	18.0/9.3-9.0	41	12.85	5,32
	1725	277	56H	BALL	NONE	B338	56C17D5349	\$416	F1	1.15	7.5	41	12.85	5,32
<b>2</b>	3450	115/208-230	56H	BALL	AUTO	D116 *	56B34D5340	\$422	F1	1.2	18.2/9.8-9.1	36	11.85	1,5
	3450	115/208-230	56H	BALL	AUTO	K152 *	56B34D5320	\$421	F1	1.15	19.2/10.5-9.6	32	11.85	1,5
	1725	115/208-230	56H	BALL	AUTO	B352 *	56B17D5331	\$512	F1	1.15	21/11.3-10.5	50	13.85	1,32
	1725	115/208-230	145T	BALL	NONE	I147 *	145TBDR5345	\$412	S1	1.15	21/11.3-10.5	50	14.22	1

\* Stock Model

# Fan and Blower, Single Phase, Split Phase

Totally Enclosed, Resilient Base



**Applications:** Commercial and industrial fans & blowers that require low to moderate starting torque. These totally enclosed motors may be used in dirty or dusty environments.

- Features:**
- Automatic reset thermal protector available, as noted
  - 1.0 Service Factor
  - Heavy gauge steel frame with resilient "cradle" style base
  - 48Y and 48YZ Frame have 48/56 Frame mounting holes
  - Ball Bearings
  - UL Recognized and CSA Certified

HP	RPM	VOLTS	FRAME	OVER LOAD	CAT. NO.	MODEL NO.	LIST PRICE	MULT. SYMB.	SERVICE FACTOR	F.L. AMPS	APPROX. WGT. LBS.	"C" DIM.	FOOT NOTES
<b>1/4</b>	1725	115	48Y	AUTO	B501	48S17T2002	\$165	F1	1.0	3.5	19	9.87	N
	1725	115	48YZ	NONE	B502	48S17T2003	\$158	F1	1.0	3.5	19	10.22	N,38,53
<b>1/3</b>	1725	115	56	NONE	B504	56S17F5302	\$195	F1	1.0	6.4	22	12.30	
	1725	115	56	AUTO	B500 *	56S17F5305	\$202	F1	1.0	6.4	25	12.30	32
<b>1/2</b>	1725	115	56	AUTO	B506	56S17F5303	\$277	F1	1.0	8.4	23	12.30	
	1725	115	56	NONE	B507	56S17F5304	\$234	F1	1.0	8.4	23	12.30	

\* Stock Model

**Footnotes:**

- N Totally Enclosed, Non-Ventilated
- 1 Capacitor Start/Capacitor Run design for reduced amperage
- 5 56H, 143T, and 145T Combination Base with 12 mounting holes
- 32 3/4" Thru-bolts, shaft end
- 38 2" Thru-bolts, shaft end
- 53 1/2" Shaft with 5/8" adapter with Key



# Fan and Blower, Single Phase, Explosion Proof

Class I, Group D, Class II, Groups F & G, Resilient Base

**Applications:** Commercial and industrial fans and blowers that require moderate to high starting torque and are installed in hazardous environments as defined by the motor's explosion proof class and group rating. Consult the National Electrical Code and your local regulations for the proper selection of motors in hazardous locations.

- Features:**
- 1.0 Service Factor
  - Automatic reset thermal protector
  - Meet UL frame temperature limit code T3B
  - Capacitor start design
  - Double sealed ball bearings
  - Extended thru-bolts
  - Explosion Proof conduit box included, shipped loose
  - UL Listed file no. E12044
  - CSA Certified file no. LR47504

HP	RPM	VOLTS	FRAME	CAT. NO.	MODEL NO.	LIST PRICE	MULT. SYMB.	F.L. AMPS	APPROX. WGT. LBS.	"C" DIM.	FOOT NOTES
1/4	1800	115	56	K032	56C17E5302	\$350	F1	4.8	33	11.88	N
	1200	115	56	K033 *	56C11G5303	\$481	F1	5.4	34	14.46	37
1/3	1800	115	56	K037	56C17G5308	\$457	F1	6.6	35	13.96	37

\* Stock Model

## Fan and Blower, Three Phase

Dripproof, Resilient Base

**Applications:** Commercial and industrial fans and blowers that require moderate starting torque and are installed in relatively clean and dry environments where three phase power is available.

- Features:**
- **Single and two-speed models, as noted**
  - Variable torque on two speed ratings
  - Ball bearings
  - Heavy gauge steel frame and resilient, "cradle" style base
  - Automatic reset thermal protector, as noted
  - NEMA Service Factors
  - Nameplated 60/50 Hz at next lower horsepower except where noted
  - Patented **VCD™**, Voltage Change Device where footnoted "VC"
  - UL Recognized and CSA Certified



HP	RPM	VOLTS	FRAME	OVER LOAD	CAT. NO.	MODEL NO.	LIST PRICE	MULT. SYMB.	SERVICE FACTOR	F.L. AMPS	APPROX. WGT. LBS.	"C" DIM.	FOOT NOTES
1/3	1800/1200	200-230	56	NONE	G160	56T17D5700	\$327	F1	1.35	1.4-1.2/1.0	26	12.35	
	1800/1200	460	56	NONE	G161	56T17D5701	\$327	F1	1.35	0.6/0.4	26	12.35	
	1800	208-230/460	56	AUTO	G106 *	56T17D2104	\$260	F1	1.35	1.5-1.6/8	16	9.97	
	1800	208-230/460	56	NONE	G162	56T17D2121	\$216	F1	1.35	1.5-1.6/8	17	9.97	
	1800	575	56	NONE	G964	56T17D2117	\$216	F1	1.35	0.64	17	9.97	70
1/2	3600	208-230/460	56	AUTO	G164	56T34D5305	\$226	F1	1.25	2.1-2.2/1.1	21	10.85	
	1800/1200	200-230	56H	NONE	G165 *	56T17D5702	\$355	F1	1.25	1.9-1.85/1.16	32	11.85	5,70
	1800/1200	460	56H	NONE	G166 *	56T17D5703	\$355	F1	1.25	0.9/0.7	32	11.85	5,70
	1800	208-230/460	56	AUTO	G107 *	56T17D2097	\$288	F1	1.25	2.1-2.2/1.1	19	10.47	
	1800	208-230/460	56	NONE	G109 *	56T17D2096	\$244	F1	1.25	2.1-2.2/1.1	18	10.47	
	1800	208-230/460	56	AUTO	G140 *	56T17D5345	\$301	F1	1.25	2.3-2.4/1.2	22	10.85	VC
3/4	1800	575	56	NONE	G961 *	56T17D2118	\$243	F1	1.25	0.9	19	10.47	70
	3600	208-230/460	56	AUTO	G167	56T34D5306	\$264	F1	1.25	3.0-3.2/1.6	22	10.85	
	1800/1200	200-230	56H	NONE	G168 *	56T17D5704	\$422	F1	1.25	2.6-2.5/1.6	39	12.85	5,70
	1800/1200	460	56H	NONE	G169 *	56T17D5705	\$422	F1	1.25	1.2/0.8	33	12.35	5,70
	1800	208-230/460	56	AUTO	G101 *	56T17D2099	\$315	F1	1.25	2.7-2.8/1.4	22	10.97	
1800	208-230/460	56	AUTO	G141 *	56T17D5346	\$329	F1	1.25	2.9-3.0/1.5	24	10.85	VC	

\* Stock Model

Continued on next page.

**Footnotes:**

N Totally Enclosed, Non-Ventilated  
 VC Voltage Change Device feature for quick voltage changes

5 56H, 143T, and 145T Combination Base with 12 mounting holes  
 37 1-1/2" Thru-bolts, shaft end  
 70 Not Nameplated 50 hz

# Fan and Blower, Three Phase

## Dripproof, Resilient Base



HVAC

HP	RPM	VOLTS	FRAME	OVER LOAD	CAT. NO.	MODEL NO.	LIST PRICE	MULT. SYMB.	SERVICE FACTOR	F.L. AMPS	APPROX. WGT. LBS.	"C" DIM.	FOOT NOTES
<b>3/4</b>	1800	208-230/460	56	NONE	G966★	56T17D2098	\$273	F1	1.25	2.7-2.8/1.4	22	10.97	
	1800	575	56	NONE	G962★	56T17D2119	\$272	F1	1.25	1.1	20	10.97	70
<b>1</b>	3600	208-230/460	56	AUTO	G180★	56T34D5307	\$294	F1	1.25	3.7-3.7/1.85	24	10.85	
	1800/1200	200-230	56H	NONE	G181★	56T17D5706	\$437	F1	1.15	3.4-3.2/2.0	43	13.35	5,70
	1800/1200	460	56H	NONE	G182★	56T17D5707	\$437	F1	1.15	1.5/1.0	39	12.85	5,70
	1800	208-230/460	56	AUTO	G142★	56T17D5347	\$335	F1	1.15	3.5-3.6/1.8	26	11.35	VC
	1800	208-230/460	56H	AUTO	G100★	56T17D2101	\$322	F1	1.15	3.4-3.4/1.7	24	11.47	5
	1800	208-230/460	56H	NONE	G120★	56T17D2100	\$280	F1	1.15	3.4-3.4/1.7	24	11.47	5
	1800	575	56H	NONE	G963★	56T17D2120	\$279	F1	1.15	1.4	24	11.47	5,70
<b>1 1/2</b>	3600	208-230/460	56	AUTO	G183★	56T34D5308	\$351	F1	1.15	4.9-5.0/2.5	25	10.85	
	1800/1200	200-230	56H	NONE	G184	56T17D5708	\$450	F1	1.15	5.0-4.8/2.6	47	13.85	5,70
	1800/1200	460	56H	NONE	G185	56T17D5709	\$450	F1	1.15	2.3/1.3	30	13.35	5,70
	1800	208-230/460	56	NONE	G122★	56T17D5329	\$310	F1	1.15	4.8-4.8/2.4	29	11.35	
	1800	208-230/460	56	AUTO	G126★	56T17D5330	\$352	F1	1.15	4.8-4.8/2.4	29	11.35	
	1800	208-230/460	56	AUTO	G143★	56T17D5348	\$366	F1	1.15	4.8-4.8/2.4	29	11.35	VC
	1800	575	56H	AUTO	G965	56T17D5357	\$351	F1	1.15	1.9	31	11.35	70
<b>2</b>	3600	208-230/460	56	AUTO	G186★	56T34D5309	\$405	F1	1.15	6.4-6.2/3.1	26	10.85	
	1800	208-230/460	56H	AUTO	G144★	56T17D5349	\$405	F1	1.15	6.2-6.2/3.1	35	12.35	VC,5
	1800	208-230/460	56H	NONE	G127★	56T17D5332	\$339	F1	1.15	6.2-6.2/3.1	35	12.35	5
	1800	208-230/460	56H	AUTO	G128★	56T17D5333	\$383	F1	1.15	6.2-6.2/3.1	35	12.35	5
	1800	575	56H	AUTO	G967	56T17D5385	\$382	F1	1.15	2.5	36	12.35	5,70
<b>3</b>	3600	208-230/460	56HZ	AUTO	B193★	56T34D5357	\$454	F1	1.15	8.9-8.4/4.2	35	12.22	Z,5
	1800	208-230/460	56HZ	AUTO	G145★	56T17D5350	\$426	F1	1.15	9.2-8.6/4.3	49	14.22	Z,VC,5
<b>5</b>	3600	208-230/460	56HZ	AUTO	X251★	56T34D5364	\$608	F1	1.0	13.5-12.4/6.2	50	13.49	Z,5,12,70

★ Stock Model

**Footnotes:**

- VC Voltage Change Device feature for quick voltage changes
- Z 56HZ with 7/8" shaft dia., 3-1/2" shaft height, and slotted 56 frame base
- 5 56H, 143T, and 145T Combination Base with 12 mounting holes
- 12 With Rigid Base
- 70 Not Nameplated 50 hz

# "ME-CAN-DO" Multi-Horsepower Motors

The new Marathon Electric "Me-Can-Do" line of motors is a Multi-horsepower motor that replaces many different ratings.

## Here are some of the advantages of the ME-Can-Do motor:

1. Saves money! Eliminates unnecessary inventory on shelves or in repair trucks.
2. Saves time! No more long drives for replacement motors. No more late hour or emergency shop openings.
3. This motor "Can Do" the job the first time! Offers multiple options in just one motor, no need for temporary substitutions.

## Here are some of the motors that the ME-Can-Do motors replaces today:

### Condenser Fan Motors

Marathon	Emerson	A.O. Smith
X072	5462	FSE6000
X076	5465	FE6002

### Direct Drive Fan and Blower Motors

Marathon	Emerson	A.O. Smith
X077	5460	FDL6001
X073	5461	FD6000
X074	5470	FDL6002
X075	5471	FD6001

# "ME-CAN-DO" Multi-Horsepower Motors Condenser Fan, Single Phase, PSC

Totally Enclosed, Air Over, Thru-Bolt

HVAC

**Applications:** Direct drive fans for shaft up or horizontal mount. These motors need to be mounted within the airflow of the fan for proper cooling.

### Features:

- Ball Bearings
- **60°C ambient**
- Automatic reset thermal protector
- Weather resistant reversing plug
- Reversible by reconnection
- 36" long leads
- Extended thru-bolts, 8-32 1/2" on drive end, 3/4" on non-drive end
- Shaft slinger
- Four Locating screws on frame, 90° apart
- 1/2" x 5" long shaft with two flats 4.50" 90° apart
- UL Recognized and CSA Certified
- **Capacitor not included, see Accessories section**



HP	RPM	VOLTS	FRAME	CAPACITOR (MFD)	SPEED RANGE	CAT. NO.	MODEL NO.	LIST PRICE	MULT. SYMB.	F.L. AMPS	WGHT. LBS.	FRAME LENGTH	FOOT NOTES
<b>1/3</b>		230		5.0	HI					2.3			
<b>1/3</b>		208		7.5	HI					2.3			
<b>1/4</b>		230		5.0	HI					2.0			
<b>1/4</b>	1075/2	208	48Y	7.5	HI	X072*	48A11T646	\$178	F1	2.0	15	5	21
<b>1/5</b>		230		5.0	LO					1.4			
<b>1/5</b>		208		7.5	LO					1.4			
<b>1/6</b>		230		5.0	LO					1.2			
<b>1/6</b>		208		7.5	LO					1.2			
<b>1/2</b>		230		10.0	HI					2.5			
<b>1/2</b>		208		12.5	HI					2.6			
<b>1/3</b>		230		10.0	HI					2.1			
<b>1/3</b>	1075/2	208	48Y	12.5	HI	X076*	48A11T11006	\$191	F1	2.0	21	5 1/2	21
<b>1/4</b>		230		10.0	LO					1.4			
<b>1/4</b>		208		12.5	LO					1.4			
<b>1/5</b>		230		10.0	LO					1.2			
<b>1/5</b>		208		12.5	LO					1.2			

★ Stock Model

**Footnote:**  
21 60°C Ambient

# "ME-CAN-DO" Multi-Horsepower Motors

## Direct Drive Fan and Blower, Single Phase, PSC

Open Air Over, Resilient Ring Thru-Bolt



**Applications:** Residential and commercial furnaces, air conditioners, exhaust fans, and other air handling equipment installed in clean and dry environments.

- Features:**
- Open end brackets
  - 2 1/4" Resilient rings
  - 1/2" x 5" long shaft with two flats 4.50" 90° apart
  - Automatic reset thermal protector
  - Weather resistant reversing plug
  - Reversible by reconnection
  - 36" long leads
  - Extended thru-bolts, 8-32 1/2" on shaft end and 3/4" on lead end
  - UL Recognized and CSA Certified
  - **Capacitor not included, see Accessories section**

HVAC

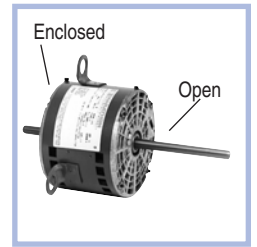
HP	RPM	VOLTS	FRAME	BRGS.	CAPACITOR (MFD)	SPEED RANGE	CAT. NO.	MODEL NO.	LIST PRICE	MULT. SYMB.	F.L. AMPS	APPROX. WGT. LBS.	FRAME LENGTH
1/2					10.0	ALL					6.1		
1/3					5.0	ALL					5.2		
1/3					7.5	ALL					4.7		
1/4					5.0	MED-HI					3.6		
1/4	1075/4	115	48Y	SLEEVE	7.5	MED-LO, LO	X077 *	48A11O11066	\$135	F1	3.2	15	5
1/5					5.0	MED-LO					2.8		
1/5					7.5	LO					2.5		
1/6					5.0	LO					2.4		
1/6					7.5	LO					2.0		
1/2					10.0	ALL					2.7		
1/3					5.0	ALL					2.3		
1/3					7.5	ALL					2.1		
1/4					5.0	MED-HI					1.6		
1/4	1075/4	208-230	48Y	BALL	7.5	MED-LO, LO	X073 *	48A11O11064	\$139	F1	1.4	14	4 3/4
1/5					5.0	MED-LO					1.3		
1/5					7.5	LO					1.1		
1/6					5.0	LO					1.1		
1/6					7.5	LO					0.9		
3/4					20.0	ALL					7.8		
1/2					10.0	ALL					7.1		
1/3	1075/4	115	48Y	BALL	10.0	MED-HI, MED-LO, LO	X074 *	48A11O11042	\$161	F1	4.9	21	6
1/4					10.0	MED-LO, LO					3.7		
1/5					10.0	LO					2.9		
3/4					20.0	HI					3.8		
1/2					20.0	MED-HI					2.7		
1/2					10.0	HI					3.7		
1/3	1075/4	208-230	48Y	BALL	20.0	MED-LO	X075 *	48A11O11063	\$172	F1	1.9	23	6
1/3					10.0	MED-HI					2.8		
1/4					20.0	LO					1.4		
1/4					10.0	MED-LO					2.6		
1/5					10.0	LO					1.6		

\* Stock Model

## OEM: Admiral-Emerson Single Phase, PSC

**Applications:** Replacements listed may not be an exact duplicate of original motor.

- Features:**
- Open/air over
  - Replaces Fasco No. D853
  - 3 lug mounting
  - **Capacitor not included, see Accessories section**



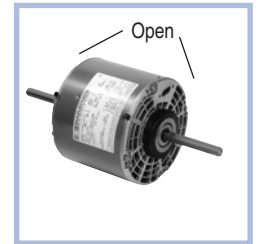
HP	RPM	VOLTS	FRAME	BRGS.	CAT. NO.	MODEL NO.	LIST PRICE	MULT. SYMB.	F.L. AMPS	APPROX. WGT. LBS.	FRAME LENGTH	SHAFT DIM.	FOOT NOTES
1/3	1300/3	230	48Y	SLEEVE	X204*	48A17O126	\$162	F1	2.5	10	4 3/8	2 1/8 x 1/2 x 4 7/8	16

\* Stock Model

## OEM: Amana/Rheem/Luxaire/Rooftop Package Unit, Single Phase, PSC

**Applications:** Replacements listed may not be an exact duplicate of original motor.

- Features:**
- Open/air over
  - Replaces Fasco No. D831.
  - Resilient ring mount
  - **Capacitor not included, see Accessories section**



HP	RPM	VOLTS	FRAME	BRGS.	CAT. NO.	MODEL NO.	LIST PRICE	MULT. SYMB.	F.L. AMPS	APPROX. WGT. LBS.	FRAME LENGTH	SHAFT DIM.	FOOT NOTES
1/2	1075/2	208-230	48Y	SLEEVE	X231*	48A11O1179	\$160	F1	4.0	20	7	6 3/8 x 1/2 x 6 1/2	

\* Stock Model

HVAC

**Footnotes:**

16 Fixed CCW Rotation, viewing opposite shaft (or lead end) of motor

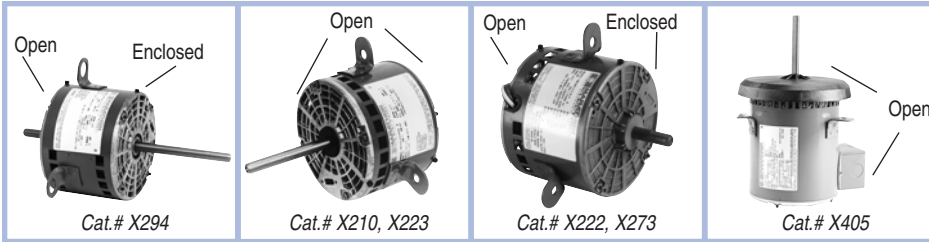


# OEM: Carrier, Single Phase, PSC

**Applications:** Replacements listed may not be an exact duplicate of original motor.

**Features:**

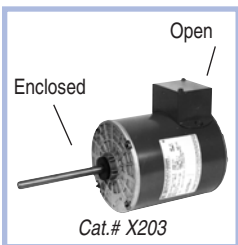
- Open/air over
- **Single and multi-speed models, as noted**
- 3 lug mounting
- X223 Replaces Carrier No. HC37VE230 & Fasco No. D842
- X273 Replaces Carrier No. HC37ME268, Fasco No. D844, A.O. Smith No. OCA1024, & Magnetek No. 624
- X210 Replaces Carrier Nos. HC37MZ220, HC39VE608, HC39ML706, HC37ME720, HC37ML702
- X210 Replaces Emerson No. 3303, Fasco No. D843, Magnetek No. 514, & A.O. Smith No. OCB1026
- X222 Replaces Carrier Nos. HC41VE700 & 701, Emerson No. 3225, Magnetek No. 536, & A.O. Smith No. OCB1036
- X294 Replaces Carrier No. HC43CE230
- X405 Replaces A.O. Smith No. OCA1056
- **Capacitor not included, see Accessories section**



HP	RPM	VOLTS	FRAME	BRGS.	CAT. NO.	MODEL NO.	LIST PRICE	MULT. SYMB.	FL. AMPS	APPROX. WGT. LBS.	FRAME LENGTH	SHAFT DIM.	FOOT NOTES
1/5	1075/1	230	48Y	SLEEVE	X223*	48A11O2050	\$136	F1	1.3	10	3 3/4	1/2 x 2 3/4	d,16
1/4	1625/1	230	48Y	SLEEVE	X273*	48A17O161	\$127	F1	1.5	12	4 1/4	1/2 x 1 5/8	16
	1075/2	208-230	48Y	SLEEVE	X210*	48A11O1068	\$136	F1	2.2	12	4 1/8	1/2 x 4 1/4	
1/3	1075/2	230	48Y	SLEEVE	X222*	48A11O1109	\$169	F1	2.6	15	4 3/4	1/2 x 3	
1/2	1075/1	208-230/460	48Y	BALL	X405*	48A11O1744	\$220	F1	3.6/1.8	24	6 7/8	1/2 x 4	21

★ Stock Model

# OEM: Carrier, Single Phase, PSC



**Applications:** Replacements listed may not be an exact duplicate of original motor.

**Features:**

- Open/air over
- Round body belly band mounting
- X203 Replaces Carrier No. HC44SL230, Fasco No. D804, & Magnetek No. 655
- **Capacitor not included, see Accessories section**

HP	RPM	VOLTS	FRAME	BRGS.	CAT. NO.	MODEL NO.	LIST PRICE	MULT. SYMB.	FL. AMPS	APPROX. WGT. LBS.	FRAME LENGTH	SHAFT DIM.	FOOT NOTES
1/2	1075	208-230	48Y	BALL	X203*	48A11O1062	\$201	F1	5.3	19	6 1/2	1/2 x 5 1/2	16

★ Stock Model

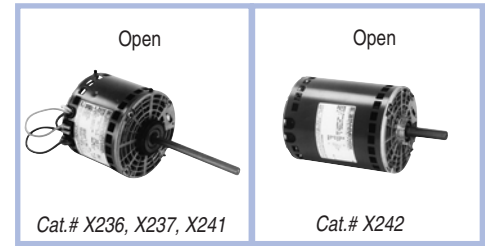
**Footnotes:**

- d To be discontinued after current stock is gone
- 16 Fixed CCW Rotation, viewing opposite shaft (or lead end) of motor
- 21 60°C Ambient

## OEM: Carrier, Single Phase, PSC

**Applications:** Replacements listed may not be an exact duplicate of original motor.

- Features:**
- Open/air over
  - **Multi-speed capability**
  - Resilient ring/belly band mount
  - X236 Replaces Carrier Nos. HC41SE117, P251-2306 & -2307
  - X237 Replaces Carrier Nos. HC41SE651, HC39SE651, P251-5306, & P251-5408
  - X241 Replaces Carrier Nos. HC45SE651 & P251-5701
  - X242 Replaces Carrier Nos. HC52AL230, 231, & 232 HC52SE208, P251-5101 & -5102
  - **Capacitor not included, see Accessories section**



HP	RPM	VOLTS	FRAME	BRGS.	CAT. NO.	MODEL NO.	LIST PRICE	MULT. SYMB.	FL. AMPS	APPROX. WGT. LBS.	FRAME LENGTH	SHAFT DIM.	FOOT NOTES
1/3	1075/4	115	48Y	SLEEVE	X236*	48A11O699	\$161	F1	6.4	13	4 3/4	1/2x6	
	1075/4	208-230	48Y	SLEEVE	X237	48A11O694	\$164	F1	4.8	16	5 1/4	1/2x6	
3/4	1075/4	208-230	48Y	SLEEVE	X241*	48A11O697	\$207	F1	5.4	17	5 1/2	1/2x6	
1	1000/3	208-230	48YZ	BALL	X242*	48A11O756	\$351	F1	6.2	26	7 1/4	5/8x4	51,68

\* Stock Model

## OEM: Carrier, Three Phase

**Applications:** Replacements listed may not be an exact duplicate of original motor.

- Features:**
- Open/air over
  - Round belly band mounting
  - Replaces Carrier No. HD52VE214 & Marathon No. 56T11D33
  - 70°C ambient



HP	RPM	VOLTS	FRAME	BRGS.	CAT. NO.	MODEL NO.	LIST PRICE	MULT. SYMB.	FL. AMPS	APPROX. WGT. LBS.	FRAME LENGTH	SHAFT DIM.	FOOT NOTES
1	1140	200-230/460	56Y	BALL	X235*	56T11D5209	\$436	F1	6.6-6.0/3.0	37	10 1/2	5/8 x 2 7/8	

\* Stock Model

## OEM: Carrier, Three Phase

**Applications:** Replacements listed may not be an exact duplicate of original motor.

- Features:**
- Open/air over
  - Rigid base mounting
  - Replaces Carrier No. HD60AZ660 & Marathon No. 56T34D903



HP	RPM	VOLTS	FRAME	BRGS.	CAT. NO.	MODEL NO.	LIST PRICE	MULT. SYMB.	FL. AMPS	APPROX. WGT. LBS.	"C" DIM.	SHAFT DIM.	FOOT NOTES
5	3600	208-230/460	56HZ	BALL	X251*	56T34D5364	\$608	F1	13.5-12.4/6.2	50	13.49	7/8 x 2 1/4	5

\* Stock Model

**Footnotes:**

- 5 56H, 143T, and 145T Combination Base with 12 mounting holes
- 51 Does not include resilient rings, see Accessory Section
- 68 Nameplated 60/50 hz

## OEM: Cornelius, Single Phase, Split Phase



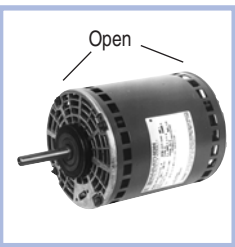
**Applications:** Replacements listed may not be an exact duplicate of original motor.

- Features:**
- Open/air over
  - Resilient ring mounting
  - Replaces “Beater” Motor for the Cornelius “Slurpee” machine

HP	RPM	VOLTS	FRAME	BRGS.	CAT. NO.	MODEL NO.	LIST PRICE	MULT. SYMB.	F.L. AMPS	APPROX. WGT. LBS.	FRAME LENGTH	SHAFT DIM.	FOOT NOTES
1/6	1140	230	48Y	SLEEVE	X290*	48S11D58	\$144	F1	1.9	13	6 7/8	1/2 x 1 1/2	16

\* Stock Model

## OEM: Evans/Armstrong/LSI Home, Single Phase, PSC



**Applications:** Replacements listed may not be an exact duplicate of original motor.

- Features:**
- Open/air over
  - Resilient ring thru-bolt mounting
  - Replaces Fasco No. D825 & GE No. 5KCP35G644S
  - **Capacitor not included, see Accessories section**

HP	RPM	VOLTS	FRAME	BRGS.	CAT. NO.	MODEL NO.	LIST PRICE	MULT. SYMB.	F.L. AMPS	APPROX. WGT. LBS.	FRAME LENGTH	SHAFT DIM.	FOOT NOTES
1	1625/2	208-230	48Y	BALL	X211*	48A17O125	\$231	F1	6.2	20	6 1/4	1/2 x 2 1/2	

\* Stock Model

**Footnotes:**

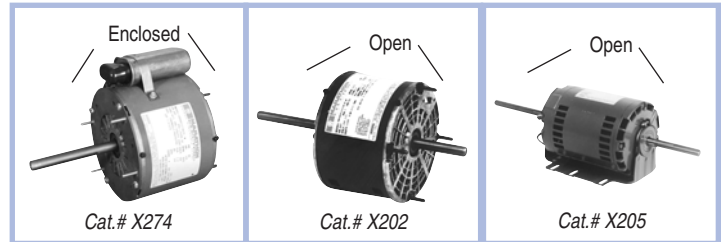
16 Fixed CCW Rotation, viewing opposite shaft (or lead end) of motor

# OEM: Fedders, Single Phase, PSC

**Applications:** Replacements listed may not be an exact duplicate of original motor.

**Features:**

- Open/air over
- Replaces X274 Fedders No. S196-179-1, Fasco No. D882, & A.O. Smith No. OFE6512, thru-bolt mount
- Replaces X202 Fedders No. S196-58-2, Fasco No. D881, thru-bolt mount
- Replaces X205 Fedders No. K65TXMR1109, Emerson No. K2328, & Magnetek No. C024, resilient base
- **Capacitor not included on X202 and X205, see Accessories section**



HP	RPM	VOLTS	FRAME	BRGS.	CAT. NO.	MODEL NO.	LIST PRICE	MULT. SYMB.	F.L. AMPS	APPROX. WGT. LBS.	FRAME LENGTH	SHAFT DIM.	FOOT NOTES
<b>1/5</b>	1075/1	230	48Y	SLEEVE	X274*	48A11T407	<b>\$168</b>	F1	1.4	11	4 1/8	1/2 x 4 1/8	d,15
<b>1/4</b>	1075/3	208-230	48Y	SLEEVE	X202*	48A11O1063	<b>\$129</b>	F1	2.2	10	3 7/8	2 1/2 x 1/2 x 4 1/2	d,16
<b>3/4</b>	1075/1	208-230	56HZ	BALL	X205*	56A11O5312	<b>\$339</b>	F1	3.6	32	8 5/8	7 x 5/8 x 4 1/2	5,16,21

\* Stock Model

**Footnotes:**

- d To be discontinued after current stock is gone
- 5 56H, 143T, and 145T Combination Base with 12 mounting holes
- 15 Fixed CW Rotation, viewing opposite shaft (or lead end) of motor
- 16 Fixed CCW Rotation, viewing opposite shaft (or lead end) of motor
- 21 60°C Ambient

## OEM: Gaffers & Sattler, Single Phase, PSC



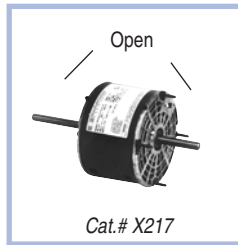
**Applications:** Replacements listed may not be an exact duplicate of original motor.

- Features:**
- Open/air over
  - Resilient ring mounting
  - Replaces Rooftop a/c direct Pak 1.5 & 2.0 ea, & Fasco No. D862
  - **Capacitor not included, see Accessories section**

HP	RPM	VOLTS	FRAME	BRGS.	CAT. NO.	MODEL NO.	LIST PRICE	MULT. SYMB.	F.L. AMPS	APPROX. WGT. LBS.	FRAME LENGTH	SHAFT DIM.	FOOT NOTES
1/2	1075/2	208-230	48Y	SLEEVE	X225	48A11O1176	\$190	F1	3.0	18	5 1/2	2 x 1/2 x 2	d,16

★ Stock Model

## OEM: Gibson-Belding & Kelvinator, Single Phase, PSC



**Applications:** Replacements listed may not be an exact duplicate of original motor.

- Features:**
- Open/air over
  - Thru-bolt mounting
  - X217 Replaces Fasco No. D855, Magnetek No. 399
  - **Capacitor not included, see Accessories section**

HP	RPM	VOLTS	FRAME	BRGS.	CAT. NO.	MODEL NO.	LIST PRICE	MULT. SYMB.	F.L. AMPS	APPROX. WGT. LBS.	FRAME LENGTH	SHAFT DIM.	FOOT NOTES
1/3	1365/3	230	48Y	SLEEVE	X217★	48A17O129	\$157	F1	3.0	12	4 1/2	8 1/2 x 1/2 x 8	16

★ Stock Model

## OEM: Greenheck Fan, Single Phase, PSC



**Applications:** Replacements listed may not be an exact duplicate of original motor.

- Features:**
- Open/air over
  - Thru-bolt mounting
  - Automatic reset thermal protector
  - Internal cooling fan
  - X261 replaces Greenheck No. 300008
  - X260 replaces Greenheck No. 300010
  - **Capacitor included**

HP	RPM	VOLTS	FRAME	BRGS.	CAT. NO.	MODEL NO.	LIST PRICE	MULT. SYMB.	F.L. AMPS	WGHT. LBS.	FRAME LENGTH	SHAFT DIM.	FOOT NOTES
1/8	825	115	48Y	BALL	X261★	48A8O151	\$181	F1	2.1	13	5 1/2	1/2 X 2 1/2	
1/6	1140	115	48Y	BALL	X260★	48A11O251	\$172	F1	2.2	13	5 1/4	1/2 X 2 1/2	

★ Stock Model

**Footnotes:**

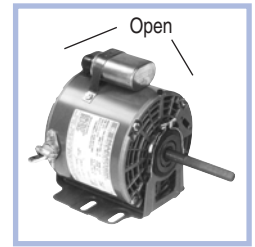
- d To be discontinued after current stock is gone
- 16 Fixed CCW Rotation, viewing opposite shaft (or lead end) of motor



## OEM: Hill Refrigeration, Single Phase, PSC

**Applications:** Replacements listed may not be an exact duplicate of original motor.

- Features:**
- Open/air over
  - Resilient base
  - Replaces Magnetek No. 160, Steveco No. S3001, Fasco No., D801, GE No. 5KCP39KG1369S
  - **Capacitor included**



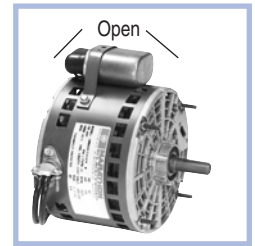
HP	RPM	VOLTS	FRAME	BRGS.	CAT. NO.	MODEL NO.	LIST PRICE	MULT. SYMB.	F.L. AMPS	APPROX. WGT. LBS.	FRAME LENGTH	SHAFT DIM.	FOOT NOTES
<b>1/3</b>	1625	208-230	48Y	SLEEVE	X230*	48A17O136	<b>\$168</b>	F1	1.8	15	4 3/4	1/2x3 1/2	15

★ **Stock Model**

## OEM: Hussman Refrigeration, Single Phase, PSC

**Applications:** Replacements listed may not be an exact duplicate of original motor.

- Features:**
- Open/air over
  - Thru-bolt mounting
  - Replaces Fasco No. D807, GE No. 5KCP39EGC2447, Magnetek No. 174, Emerson No. 1645
  - **Capacitor included**



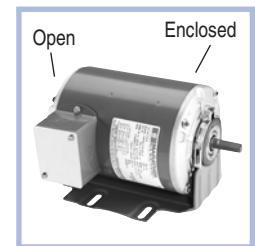
HP	RPM	VOLTS	FRAME	BRGS.	CAT. NO.	MODEL NO.	LIST PRICE	MULT. SYMB.	F.L. AMPS	APPROX. WGT. LBS.	FRAME LENGTH	SHAFT DIM.	FOOT NOTES
<b>1/6</b>	1625	208-230	48Y	BALL	X269*	48A17O147	<b>\$187</b>	F1	1.2	11	4 1/8	1/2 x 1 1/2	15

★ **Stock Model**

## OEM: Liebert, Three Phase

**Applications:** Replacements listed may not be an exact duplicate of original motor.

- Features:**
- Resilient base mounting
  - Replaces GE 5K36PN294S



HP	RPM	VOLTS	FRAME	BRGS.	CAT. NO.	MODEL NO.	LIST PRICE	MULT. SYMB.	F.L. AMPS	APPROX. WGT. LBS.	"C" DIM.	SHAFT DIM.	FOOT NOTES
<b>1/3</b>	1140	208-230/460	48Y	BALL	X259*	56T11O15	<b>\$232</b>	F1	1.9-1.8/9	21	10.06	1/2x1 1/2	

★ **Stock Model**

**Footnotes:**

15 Fixed CW Rotation, viewing opposite shaft (or lead end) of motor

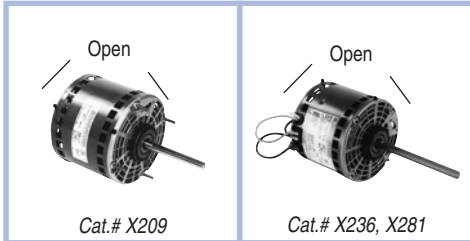
# OEM: Lennox, Single Phase, PSC



**Applications:** Replacements listed may not be an exact duplicate of original motor.

**Features:**

- X411 replaces Lennox No. 47F9901, Magnetek No. 9402, & Marathon Nos. 48A11T300 & 48A11T247
- X209 replaces Fasco No. D2817 & GE No. 5KCP39PG9701S, open/air over
- X236 replaces Lennox No. P-8-7505, Magnetek No. 565, A.O. Smith No. OLE1036, & Fasco No. D812, open/air over
- X281 replaces Lennox No. P-8-2702, Fasco No. D814, GE No. 5KCP39GGA124S, & Emerson No. 8054, open/air over
- **Capacitor not included, see Accessories section**

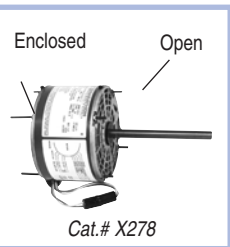


HP	RPM	VOLTS	FRAME	BRGS.	CAT. NO.	MODEL NO.	LIST PRICE	MULT. SYMB.	F.L. AMPS	APPROX. WGT. LBS.	FRAME LENGTH	SHAFT DIM.	FOOT NOTES
1/6	1075/1	208-230	48Y	SLEEVE	X411*	48A11T2008	\$124	F1	1.3	10	3 3/4	1/2 x 6	
1/3	825/1	230	48Y	SLEEVE	X209*	48A8O183	\$177	F1	3.0	18	5 3/4	1/2 x 5 1/2	34,50
	1075/4	115	48Y	SLEEVE	X236*	48A11O699	\$161	F1	6.4	13	4 3/4	1/2 x 6	39

\* Stock Model

HVAC

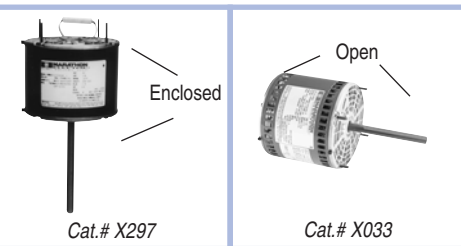
# OEM: Rheem/Ruud, Single Phase, PSC



**Applications:** Replacements listed may not be an exact duplicate of original motor.

**Features:**

- X278 Replaces Rheem Nos. 21276-02, 21276-01, 51207-01 & Fasco No. D832
- X216 Replaces Emerson No. 5454 & Magnetek No. 619
- X297 Replaces A.O. Smith No. ORM1036, Magnetek 620, & Fasco No. D2834
- X033 replaces Rheem Time-Savers, Emerson No. K55HXMDA-4122, and Rheem/Ruud No. 51-23012-41
- **Capacitor not included, see Accessories section**



HP	RPM	VOLTS	FRAME	BRGS.	CAT. NO.	MODEL NO.	LIST PRICE	MULT. SYMB.	F.L. AMPS	APPROX. WGT. LBS.	FRAME LENGTH	SHAFT DIM.	FOOT NOTES
1/8	825/1	208-230	48Y	SLEEVE	X278*	48A8O206	\$168	F1	.9	12	4 1/4	1/2 x 4 3/4	37,44
1/5	1075/1	208-230	48Y	SLEEVE	X216*	48A11O1097	\$124	F1	1.6	10	3 3/4	1/2 x 6	37,44,60
1/3	1075/1	208-230	48Y	SLEEVE	X297*	48A11T509	\$131	F1	1.8	11	4 1/4	1/2 x 3 3/4	N,29,41,60
1/2	1075/4	115	48Y	SLEEVE	X033*	48A11O1674	\$135	F1	6.1	14	5	1/2 x 5 1/2	31

\* Stock Model

**Footnotes:**

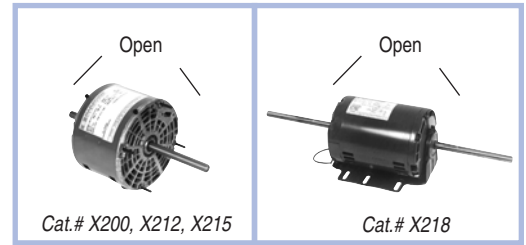
- |    |   |    |  |
|----|---|----|--|
| N  | Totally Enclosed, Non-Ventilated  | 37 | 1-1/2" Thru-bolts, shaft end                 |
| 16 | Fixed CCW Rotation, viewing opposite shaft (or lead end) of motor                       | 39 | No Thru-bolts, shaft end                     |
| 29 | Weep holes with removable plugs on end brackets. Remove bottom plug after installation. | 41 | 5/8" Thru-bolts, opposite shaft end          |
| 31 | 5/8" Thru-bolts, shaft end  | 44 | 1" Thru-bolts, opposite shaft end            |
| 34 | 1" Thru-bolts, shaft end  | 50 | 2-1/2" Resilient Rings included              |
|    |   | 60 | Four locating set screws on frame, 90° apart |

## OEM: Sears/Whirlpool, Single Phase, PSC

**Applications:** Replacements listed may not be an exact duplicate of original motor.

**Features:**

- Open/air over
- X215 replaces Delco inside out window a/c, Fasco No. D857, A.O. Smith No. OWL1006, & Emerson No. 1142
- X212 replaces Delco inside out window a/c, Fasco No. D858, & A.O. Smith No. OWR1016
- X200 replaces Delco inside out window a/c, Fasco No. D859, Emerson No. 855, & A.O. Smith No. OWR1036
- X218 replaces Steveco Package unit 3100
- **Capacitor not included, see Accessories section**



HP	RPM	VOLTS	FRAME	BRGS.	CAT. NO.	MODEL NO.	LIST PRICE	MULT. SYMB.	F.L. AMPS	APPROX. WGT. LBS.	FRAME LENGTH	SHAFT DIM.	FOOT NOTES
1/8	1100/3	115	48Y	SLEEVE	X215*	48A11O1081	\$135	F1	1.7	10	3 7/8	4 x 1/2 x 2 3/4	d,16
1/6	1100/3	230	48Y	SLEEVE	X212*	48A11O1065	\$135	F1	1.1	10	3 7/8	4 x 1/2 x 2 3/4	16
1/3	1100/3	230	48Y	SLEEVE	X200*	48A11O1060	\$137	F1	1.7	12	4 1/3	6 x 1/2 x 4	16
3/4	1075/1	208-230	56Z	BALL	X218*	56A11O5313	\$358	F1	3.9-3.6	34	8 5/8	7 x 5/8 x 7	16,21

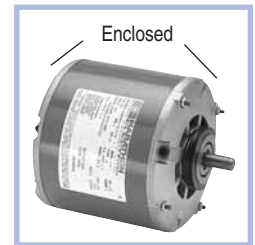
★ Stock Model

## OEM: Taco, Single Phase, Split Phase

**Applications:** Direct replacement for Taco hot water circulator.

**Features:**

- Open/air over with enclosed end brackets
- Resilient ring mounting
- X700 replaces Taco No. 110-388, Marathon No. 48S17D1027
- X701 replaces GE No. 5KH32EG129GA



HP	RPM	VOLTS	FRAME	BRGS.	CAT. NO.	MODEL NO.	LIST PRICE	MULT. SYMB.	F.L. AMPS	APPROX. WGT. LBS.	"C" DIM.	SHAFT DIM.	FOOT NOTES
1/12	1725	115	48YZ	SLEEVE	X700*	48S17D2102	\$108	F1	2.7	10	7.22	1/2 x 1	16
1/8	1725	115	48Y	SLEEVE	X701*	48S17D1084	\$117	F1	3.0	11	8.84	1/2 x 1 1/2	16

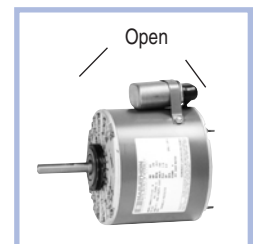
★ Stock Model

## OEM: Tyler, Single Phase, PSC

**Applications:** Replacements listed may not be an exact duplicate of original motor.

**Features:**

- Open/air over
- Resilient ring thru-bolt mounting
- Replaces Tyler No. 760, Fasco No. D870, & A.O. Smith No. OTY1024
- **Capacitor included**



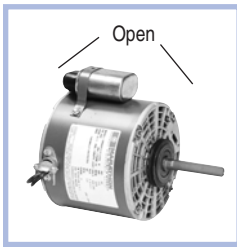
HP	RPM	VOLTS	FRAME	BRGS.	CAT. NO.	MODEL NO.	LIST PRICE	MULT. SYMB.	F.L. AMPS	APPROX. WGT. LBS.	FRAME LENGTH	SHAFT DIM.	FOOT NOTES
1/4	1625/1	208-230	48Y	BALL	X270*	48A17O149	\$201	F1	1.9	12	4 3/4	1/2 x 2 1/2	16

★ Stock Model

**Footnotes:**

- d To be discontinued after current stock is gone
- 16 Fixed CCW Rotation, viewing opposite shaft (or lead end) of motor
- 21 60°C Ambient

## OEM: Warren, Single Phase, PSC



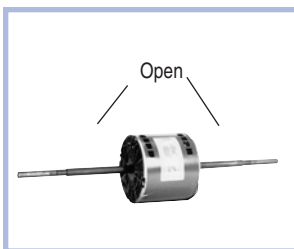
**Applications:** Replacements listed may not be an exact duplicate of original motor.

- Features:**
- Open/air over
  - Resilient ring mounting
  - Replaces Fasco No. D809
  - **Capacitor included**

HP	RPM	VOLTS	FRAME	BRGS.	CAT. NO.	MODEL NO.	LIST PRICE	MULT. SYMB.	F.L. AMPS	APPROX. WGT. LBS.	FRAME LENGTH	SHAFT DIM.	FOOT NOTES
1/3	1075/1	208-230	48Y	BALL	X268★	48A11O1239	\$206	F1	3.0	14	4 3/4	1/2 x 2 7/8	15

★ Stock Model

## OEM: York, Single Phase, PSC



**Applications:** Replacements listed may not be an exact duplicate of original motor.

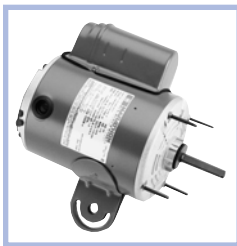
- Features:**
- Open/air over
  - Round belly band mounting
  - Replaces York No. K44HXJAF-4955 & Fasco No. D873, A.O. Smith No. OYK1056, Magnetek No. 468
  - **Capacitor not included, see Accessories section**

HP	RPM	VOLTS	FRAME	BRGS.	CAT. NO.	MODEL NO.	LIST PRICE	MULT. SYMB.	F.L. AMPS	APPROX. WGT. LBS.	FRAME LENGTH	SHAFT DIM.	FOOT NOTES
1/2	1050	230	48Y	BALL	X295★	48A11O1410	\$183	F1	3.9	19	5	9 1/4x1 1/2x9 1/8	15

★ Stock Model

## Pedestal Fan, Single Phase PSC

48 Frame, Totally Enclosed Air Over, Yoke Mount



**Applications:** For use on commercial duty air circulators where motor is mounted directly to fan column or pedestal. For floor, ceiling, and wall mounting.

- Features:**
- Heavy gauge steel frame and yoke fan shroud mounted by four 7/8" extended stud bolts on 5-1/8" bolt circle
  - **Single and multi-speed models as noted**
  - Automatic reset thermal protector
  - 1/2" x 2-1/2" long shaft with two flats, 90° apart
  - 1.0 Service Factor
  - **Capacitor included**
  - UL Recognized and CSA Certified

HP	RPM	VOLTS	FRAME	BRGS.	CAT. NO.	MODEL NO.	LIST PRICE	MULT. SYMB.	F.L. AMPS	APPROX. WGT. LBS.	FRAME LENGTH	"C" DIM.	FOOT NOTES
1/4	1625/1	115/230	48Y	BALL	X920★	48A17T2005	\$189	F1	3.6/1.8	19	7.25	10.56	17
	1075/2	115	48Y	BALL	X923★	48A11T2024	\$220	F1	3.2	17	6.50	9.81	17
1/3	1625/1	115/230	48Y	BALL	X921★	48A17T2006	\$206	F1	3.8/1.9	19	7.75	11.06	17
	1075/2	115	48Y	BALL	X924★	48A11T2025	\$238	F1	4.2	19	6.50	9.81	17
1/2	1625/1	115/230	48Y	BALL	X922★	48A17T2007	\$227	F1	5.4/2.7	20	8.00	11.31	17
	1075/2	115	48Y	BALL	X925★	48A11T2026	\$265	F1	5.7	25	7.50	10.81	17

★ Stock Model

**Footnotes:**

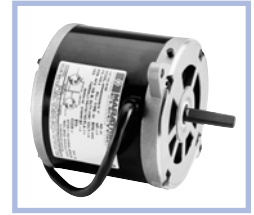
- 15 Fixed CW Rotation, viewing opposite shaft (or lead end) of motor
- 17 1.0 Service Factor

## Oil Burner, Single Phase

Semi- and Totally Enclosed  
NEMA N and M Flange Mount

**Applications:** Direct replacement motors for residential and commercial oil burners and hot water pressure/steam cleaners.

- Features:**
- Quiet, economical sleeve bearings
  - 20" Long leads from a 1/2" NPT opening
  - Split phase and capacitor start designs
  - **Catalog numbers O010 and O011 have dripproof enclosures**
  - Semi- or totally enclosed steel frame (totally enclosed footnoted with N)
  - Two-bolt, NEMA N- or M-Flange direct mounting
  - 1.0 Service Factor



HP	RPM	VOLTS	FRAME	BRGS.	OVER LOAD	CAT. NO.	MODEL NO.	LIST PRICE	MULT. SYMB.	F.L. AMPS	APPROX. WGT. LBS.	"C" DIM.	FOOT NOTES
<b>1/8</b>	3450	115	48N	SLEEVE	MANUAL	O005 *	48S34S2004	\$119	F1	2.4	9	7.09	3,61
	1725	115	48N	SLEEVE	MANUAL	O600 *	48S17T286	\$104	F1	2.8	11	7.70	3,CF,N
<b>1/7</b>	3450	115	48M	SLEEVE	MANUAL	O100 *	48S34S361	\$128	F1	2.8	11	7.70	3,CF
<b>1/6</b>	3450	115	48M	SLEEVE	MANUAL	O102 *	48S34S2005	\$136	F1	3.0	11	7.25	3
	1725	115	48N	SLEEVE	MANUAL	O601 *	48S17T290	\$112	F1	2.7	11	7.59	3,CF,N
<b>1/5</b>	3450	115/230	48N	SLEEVE	MANUAL	O012 *	48C34S24	\$158	F1	3.0/1.5	14	8.35	2,61
<b>1/4</b>	3450	115	48N	SLEEVE	MANUAL	O004 *	48S34S2003	\$153	F1	4.2	13	8.13	3,CF
	3450	115/230	48N	SLEEVE	MANUAL	O013	48C34S2001	\$165	F1	4.4/2.2	16	8.6	2
	1725	115	48N	SLEEVE	MANUAL	O002 *	48S17S25	\$135	F1	4.2	12	7.59	3
<b>1/3</b>	3450	115/208-230	48N	SLEEVE	MANUAL	O010 *	48C34D2024	\$173	F1	5.6/2.7-2.8	14	10.34	2
	3450	115/230	48N	SLEEVE	MANUAL	O014	48C34S20	\$173	F1	5.2/2.6	17	8.85	2
	1725	115	48N	SLEEVE	MANUAL	O003 *	48S17S24	\$156	F1	5.0	17	8.34	3
<b>1/2</b>	3450	115/208-230	48N	SLEEVE	MANUAL	O011 *	48C34D2028	\$213	F1	7.4/3.5-3.7	16	10.84	2

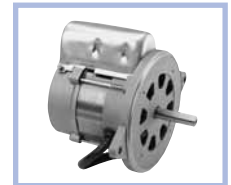
★ Stock Model

## Oil Burner, Single Phase

PSC Semi-Enclosed, NEMA M Flange Mount

**Applications:** Replacement motors for mini pumps in residential or light commercial furnaces.

- Features:**
- High efficiency design
  - Ultra quiet performance
  - 14" cord for easy connection
  - UL Recognized and CSA Certified



HP	N/P RPM	VOLTS	FRAME	BRGS.	OVER LOAD	CAT. NO.	MODEL NO.	LIST PRICE	MULT. SYMB.	F.L. AMPS	APPROX. WGT. LBS.	"C" DIM.	FOOT NOTES
<b>1/7</b>	3450	115	48M	BALL	MANUAL	O700 *	48A34SU1000	\$117	F1	1.7	8	6.61	
	3450	115	48M	BALL	AUTO	O701 *	48A34SU1001	\$111	F1	1.7	8	6.61	

★ Stock Model

**Footnotes:**

- CF Consult Factory for Accessory Kit and/or Modification Selection
- N Totally Enclosed, Non-Ventilated
- 2 Capacitor Start Induction Run design
- 3 Split Phase design
- 61 10" Leads



# Oil Burner, Single Phase

## Dripproof, C-Face Mount



**Applications:** Replacement motors for commercial and industrial oil burners.

- Features:**
- Ball or Sleeve Bearings, as noted
  - Split Phase and capacitor start designs
  - NEMA 56C direct mounting
  - Moderate starting torque
  - Manual or automatic reset thermal protector
  - NEMA Jet Pump Service Factors
  - UL Recognized and CSA Certified

HP	RPM	VOLTS	FRAME	BRGS.	OVER LOAD	CAT. NO.	MODEL NO.	LIST PRICE	MULT. SYMB.	SERVICE FACTOR	F.L. AMPS	APPROX. WGT. LBS.	"C" DIM.	FOOT NOTES
1/4	3600	115	56C	SLEEVE	MANUAL	O200★	56S34D2000	\$129	F1	1.75	4.3	13	10.19	3,15
1/3	3600	115	56C	SLEEVE	AUTO	O201	56S34D93	\$123	F1	1.35	5.6	14	10.44	3,15
	3600	115/208-230	56C	BALL	AUTO	J025★	56C34D2111	\$143	F1	1.75	5.6/2.7-2.8	15	10.44	2,15
	3600	115/208-230	56C	BALL	MANUAL	O211★	56C34D2109	\$150	F1	1.75	5.6/2.7-2.8	14	10.44	2
	3600	115/208-230	56C	BALL	AUTO	O210★	56C34D2114	\$144	F1	1.75	5.6/2.7-2.8	14	10.44	2
1/2	3600	115/208-230	56C	BALL	MANUAL	O213★	56C34D2099	\$164	F1	1.6	7.4/3.5-3.7	16	10.69	2
	3600	115/208-230	56C	BALL	AUTO	O212★	56C34D2098	\$157	F1	1.6	7.4/3.5-3.7	17	10.69	2
	3600	115/208-230	56C	BALL	AUTO	J009★	56C34D2097	\$157	F1	1.6	7.4/3.5-3.7	17	10.69	2,15
3/4	3600	115/208-230	56C	BALL	MANUAL	O215★	56C34D2112	\$191	F1	1.5	9.8/4.8-4.9	18	10.94	2
	3600	115/208-230	56C	BALL	AUTO	O214★	56C34D2104	\$185	F1	1.5	9.8/4.8-4.9	20	10.94	2
	3600	115/208-230	56C	BALL	AUTO	J013★	56C34D2103	\$184	F1	1.5	9.8/4.8-4.9	21	10.94	2,15
1	3600	115/208-230	56C	BALL	AUTO	J017★	56C34D1173	\$207	F1	1.4	12.0/6.2-6.0	23	11.94	2,15
	3600	115/208-230	56C	BALL	MANUAL	O217★	56C34D2105	\$214	F1	1.4	12.0/6.2-6.0	22	11.94	2
1 1/2	3600	115/208-230	56C	BALL	MANUAL	O231★	56B34D2028	\$290	F1	1.3	13.4/7.4-6.7	25	11.97	1
	3600	115/208-230	56C	BALL	AUTO	J019★	56B34D2025	\$283	F1	1.3	13.4/7.4-6.7	26	11.97	1,15
2	3600	115/208-230	56C	BALL	AUTO	J021★	56B34D5325	\$351	F1	1.2	19.2/10.3-9.6	32	11.44	1
	3600	115/208-230	56C	BALL	MANUAL	O232	56B34D5337	\$359	F1	1.2	19.2/10.3-9.6	31	11.44	1
3	3600	230	56C	BALL	AUTO	J023★	56B34D5327	\$557	F1	1.15	12.7	38	11.94	1

★ Stock Model

# Oil Burner, Three Phase

## Dripproof, C-Face Mount



**Applications:** Replacement motors for commercial and industrial oil burners.

- Features:**
- Double sealed ball bearings
  - NEMA Jet Pump Service Factors
  - NEMA 56C direct mounting
  - Ball Bearings
  - UL Recognized and CSA Certified

HP	RPM	VOLTS	FRAME	OVER LOAD	CAT. NO.	MODEL NO.	LIST PRICE	MULT. SYMB.	SERVICE FACTOR	F.L. AMPS	APPROX. WGT. LBS.	"C" DIM.	FOOT NOTES
1/3	3600	208-230/460	56C	NONE	P001★	56T34D5310	\$166	F1	1.75	1.2-1.1/1.55	19	9.94	20
1/2	3600	208-230/460	56C	NONE	P002★	56T34D5311	\$188	F1	1.6	2.1-2.2/1.1	19	10.44	20
3/4	3600	208-230/460	56C	NONE	P003★	56T34D5312	\$226	F1	1.5	3.0-3.2/1.6	20	10.44	20
1	3600	208-230/460	56C	NONE	P004★	56T34D5313	\$257	F1	1.4	3.7-3.7/1.85	20	10.44	20
1 1/2	3600	208-230/460	56C	NONE	P005★	56T34D5314	\$313	F1	1.3	4.9-5.0/2.5	22	10.44	20
2	3600	208-230/460	56C	NONE	P006★	56T34D5315	\$367	F1	1.2	6.4-6.2/3.1	24	10.44	20
3	3600	208-230/460	56C	NONE	P007★	56T34D5316	\$412	F1	1.15	8.9-8.4/4.2	34	11.44	20

★ Stock Model

**Footnotes:**

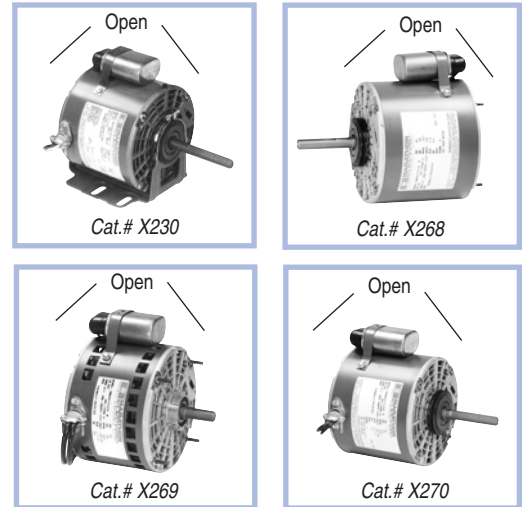
- |   |   |    |  |
|---|---|----|--|
| 1 | Capacitor Start/Capacitor Run design for reduced amperage | 15 | Fixed CW Rotation, viewing opposite shaft (or lead end) of motor |
| 2 | Capacitor Start Induction Run design                      | 20 | Rated 60/50 hertz, 190/380 or 380 volt at next lower horsepower  |
| 3 | Split Phase design  |    |  |

# Refrigeration Fan Motors, Single Phase, PSC

Open Air Over, Resilient Ring & Thru-Bolt Mount

**Applications:** Replacement motor for refrigeration equipment.

- Features:**
- Open end bracket
  - Ball or Sleeve Bearing as noted
  - Automatic reset thermal protector
  - BX connector included in frame (except on Catalog # X262)
  - Catalog # X263 and X264 have 12" cord and molded plug
  - UL Recognized and CSA Certified
  - **Capacitor included (except on Catalog # X262 and X426)**



HP	RPM	VOLTS	FRAME	BRGS.	CAT. NO.	MODEL NO.	LIST PRICE	MULT. SYMB.	F.L. AMPS	APPROX. WGT. LBS.	FRAME LENGTH	SHAFT DIM.	FOOT NOTES
1/6	1625	208-230	48Y	BALL	X269*	48A17O147	\$187	F1	1.2	11	5.00	1/2 x 1 1/2	15
1/4	1625	208-230	48Y	BALL	X270*	48A17O149	\$201	F1	1.9	12	5.69	1/2 x 2 1/2	16
	1075	208-230	48Y	BALL	X263	48A11O11041	\$161	F1	2.0	11	4.25	1/2 X 3 3/4	d,16
	1075	208-230	48Y	BALL	X262*	48A11D245	\$169	F1	1.8	12	7.25	1/2 x 1 5/8	67,69,82
	1075	460	48Y	BALL	X264*	48A11O11040	\$164	F1	0.8	11	4.50	1/2 X 3 3/4	d, 16
1/3	1625	208-230	48YZ	SLEEVE	X230*	48A17O136	\$168	F1	1.8	15	5.69	1/2 x 3 1/2	15
	1075	208-230	48YZ	BALL	X268*	48A11O1239	\$206	F1	3.0	14	5.69	1/2 x 2 1/2	15
3/4	1075	460	48YZ	BALL	X426*	48A11O1375	\$251	F1	2.2	19	6.38	5/8 X 4 1/2 w/key	67,69

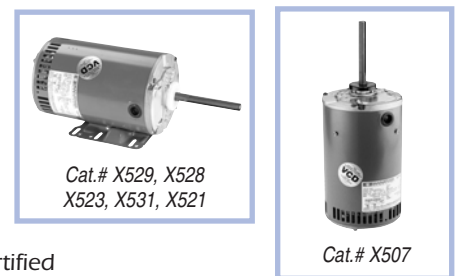
\* Stock Model

# Refrigeration Fan Motors, Three Phase

Open Air Over, Shaft Up & Horizontal Rigid Base Mount

**Applications:** Replacement motor for refrigeration equipment.

- Features:**
- Enclosed shaft end bracket, vented frame
  - Continuous duty, air over
  - Automatic reset thermal protector
  - Shaft slinger
  - Threaded lead exit
  - 60°C ambient
  - Nameplated 60/50 hertz
  - 190/380 volts, at next lower HP
  - Double sealed ball bearings
  - Flat and keyway on shaft
  - Patented VCD, Voltage Change Device
  - Ball Bearings
  - UL Recognized and CSA Certified



HP	RPM	VOLTS	FRAME	CAT. NO.	MODEL NO.	LIST PRICE	MULT. SYMB.	F.L. AMPS	APPROX. WGT. LBS.	FRAME LENGTH	SHAFT DIM.	FOOT NOTES
1/2	850	208-230/460	56HZ	X529*	56T8O5531	\$480	F1	2.9-3.0/1.5	39	9.62	5/8 X 5	VC,5
1	850	208-230/460	56HZ	X528*	56T8O5306	\$539	F1	5.1-5.3/2.65	46	10.62	5/8 X 5	VC,5
	850	208-230/460	56Y	X507*	56T8O5302	\$524	F1	5.3-5.3/2.6	46	12.00	5/8 X 5	VC
1 1/2	1140	208-230/460	56HZ	X523*	56T11O5306	\$440	F1	5.45-5.4/2.7	38	11.00	5/8 X 5	VC,5
	850	208-230/460	56HZ	X531*	56T8O15504	\$586	F1	7.0-7.0/3.5	48	11.50	5/8 X 5	VC,5
2	1140	208-230/460	56HZ	X525*	56T11O5310	\$476	F1	7.2-6.8/3.4	40	12.00	5/8 X 5	VC,5

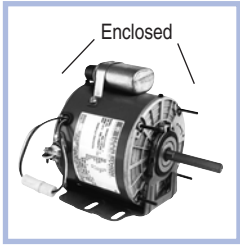
\* Stock Model

**Footnotes:**

- d To be discontinued after current stock is gone
- VC Voltage Change Device feature for quick voltage changes
- 5 56H, 143T, AND 145T Combination Base with 12 mounting holes
- 15 Fixed CW Rotation, viewing opposite shaft (or lead end) of motor
- 16 Fixed CCW Rotation, viewing opposite shaft (or lead end) of motor
- 67 Capacitor not included, see Accessory Section
- 69 50°C Ambient
- 82 Welded Rigid Base

# Unit Heater, Single Phase, PSC

## Totally Enclosed Air Over, Resilient Base



**Applications:** Replacement motors for unit heaters. Air over motors need to be mounted within the airstream for proper cooling.

- Features:**
- Totally enclosed
  - Direct drive, air over
  - Ball Bearings or Sleeve, as noted
  - Horizontal or vertical mount
  - Weather resistant reversing plug
  - BX connector mounted in frame
  - 1" Extended thru-bolts
  - 48Y Frame has non-standard BA dimension
  - Automatic reset thermal protection
  - UL Recognized and CSA Certified
  - **Capacitor included**

HP	RPM	VOLTS	FRAME	BRGS.	CAT. NO.	MODEL NO.	LIST PRICE	MULT. SYMB.	F.L. AMPS	APPROX. WGT. LBS.	FRAME LENGTH	SHAFT DIM.	FOOT NOTES
<b>1/6</b>	1625	115	48Y	BALL	X305★	48A17T2001	<b>\$153</b>	F1	2.0	13	4 3/4	1/2 x 2 3/4	
	1625	115	48Y	SLEEVE	X301★	48A17T72	<b>\$136</b>	F1	2.0	13	5 1/4	1/2 x 2 3/4	
	1075	115	48Y	BALL	X306★	48A11T2005	<b>\$158</b>	F1	3.0	13	4 3/4	1/2 x 2 3/4	
	1075	115	48Y	SLEEVE	X302★	48A11T199	<b>\$141</b>	F1	3.0	12	4 3/4	1/2 x 2 3/4	
<b>1/4</b>	1075	115	48Y	BALL	X307★	48A11T2006	<b>\$166</b>	F1	4.1	15	4 3/4	1/2 x 2 3/4	
	1075	115	48Y	SLEEVE	X303★	48A11T198	<b>\$149</b>	F1	4.1	14	4 3/4	1/2 x 2 3/4	
<b>1/3</b>	1075	115	48Y	SLEEVE	X304★	48A11T201	<b>\$166</b>	F1	6.5	21	6	1/2 x 2 3/4	
	1075	115	48Y	BALL	X308★	48A11T2007	<b>\$183</b>	F1	6.5	20	6	1/2 x 2 3/4	

★ Stock Model

# Water Circulator Replacement Motors, Single Phase

## Dripproof, Resilient Ring Mount



**Applications:** Direct replacements for Taco hot water circulators.

- Features:**
- Economical split phase design
  - Quiet sleeve bearing construction
  - 48Z frame with 1/2" diameter shaft, 1" long without flat
  - 1.40 Service Factor
  - Fixed CCW rotation, viewed opposite shaft end
  - Sleeve Bearings
  - UL Recognized and CSA Certified

HP	RPM	VOLTS	FRAME	OVER LOAD	CAT. NO.	MODEL NO.	LIST PRICE	MULT. SYMB.	SERVICE FACTOR	F.L. AMPS	APPROX. WGT. LBS.	"C" DIM.	FOOT NOTES
<b>1/12</b>	1800	115	48YZ	AUTO	X700★	48S17D2102	<b>\$108</b>	F1	1.4	2.7	10	7.22	
<b>1/8</b>	1800	115	48Y	AUTO	X701★	48S17D1084	<b>\$117</b>	F1	1.4	3.0	11	8.84	

★ Stock Model



# Cooling Tower/Severe Duty, Single-Speed Blue Chip® Totally Enclosed

Three Phase, Rigid Base

**Applications:** Cooling towers, Fan and Blowers, and other severe duty environments where long life and high efficiency are desired. Replacement for single speed Marley cooling tower motors.

- Features:**
- Blue Chip® quality, 100% cast iron construction for rigidity and reduced vibration
  - Internal and external epoxy paint
  - Class F insulation
  - 1.15 Service Factor
  - Extended grease tubes, regreasable in service
  - T-drains provided for effective drainage (Installed in both endshields)
  - Shaft Slinger
  - Forsheda seals on both ends
  - Actual test and vibration data supplied with each motor
  - UL Recognized and CSA Certified
  - Two year warranty
  - Horizontal mounting only; consult Engineering for Vertical mounting
  - Ball Bearings
  - Suitable for 10:1 VT on VFD (Requires N/P modification)



**IP55**

HP	RPM	VOLTS	FRAME	CAT. NO.	MODEL NO.	LIST PRICE	MULT. SYMB.	CT SPEED RANGE*	NOM. EFF.	F.L. AMPS	APPROX. WGT. LBS.	"C" DIM.	FOOT NOTES
<b>3</b>	1800	230/460	182T	<b>U867</b> *	182TTFS4557	<b>\$789</b>	S3	10:1	87.5	8.4/4.2	136	15.19	20
<b>5</b>	1800	230/460	184T	<b>U868</b> *	184TTFS4555	<b>\$862</b>	S3	10:1	87.5	13.0/6.5	118	16.19	20
<b>7 1/2</b>	1800	230/460	213T	<b>U869</b> *	213TTFS4550	<b>\$1,088</b>	S3	10:1	89.5	20.0/10.0	208	18.22	20
<b>10</b>	1800	230/460	215T	<b>U870</b> *	215TTFS4546	<b>\$1,246</b>	S3	10:1	91.0	26.0/13.0	243	19.72	20
<b>15</b>	1800	230/460	254T	<b>U871</b> *	254TTFNA4549	<b>\$1,608</b>	S3	10:1	91.0	39.0/19.5	463	23.52	
<b>20</b>	1800	230/460	256T	<b>U872</b> *	256TTFNA4532	<b>\$1,891</b>	S3	10:1	91.0	50.0/25.0	340	25.27	
<b>25</b>	1800	230/460	284T	<b>U873</b> *	284TTFPA4545	<b>\$2,241</b>	S3	10:1	92.4	62.0/31.0	285	26.27	20
<b>30</b>	1800	230/460	286T	<b>U874</b> *	286TTFPA4544	<b>\$2,622</b>	S3	10:1	92.4	74.0/37.0	435	27.77	20
<b>40</b>	1800	230/460	324T	<b>U875</b> *	324TTFPA4540	<b>\$3,399</b>	S3	2:1	93.0	100/50.0	515	28.97	20
<b>50</b>	1800	230/460	326T	<b>U876</b> *	326TTFPA4550	<b>\$4,201</b>	S3	2:1	93.0	122/61.0	585	30.47	20
<b>60</b>	1800	230/460	364T	<b>U877</b>	364TTFS4550	<b>\$5,991</b>	S3	2:1	93.6	144/72.0	984	31.50	20
<b>75</b>	1800	230/460	365T	<b>U878</b>	365TTFS4560	<b>\$7,458</b>	S3	2:1	94.1	178/89.0	1080	32.50	20
<b>100</b>	1800	230/460	405T	<b>U879</b>	405TTFS4560	<b>\$9,236</b>	S3	2:1	94.5	228/114	1325	37.12	20
<b>125</b>	1800	460	444T	<b>U880</b>	444TTFS4546	<b>\$11,890</b>	S3	2:1	94.5	142	1809	41.25	20
<b>150</b>	1800	460	445T	<b>U881</b> *	445TTFN4826	<b>\$14,158</b>	S3	2:1	95.0	172	2145	43.26	20
<b>200</b>	1800	460	445T	<b>U882</b>	445TTFN4574	<b>\$16,900</b>	S3	2:1	95.0	225	2324	43.26	20
<b>250</b>	1800	460	445T	<b>U884</b>	445TTFN4575	<b>\$19,095</b>	S3	2:1	95.0	285	2409	43.26	20

Blue shaded areas are Cast Iron Frames

★ **Stock Model**

\* Requires nameplate modification

Catalog numbers (Cat No.) highlighted in bold blue have efficiency levels that meet or exceed U.S. EPA and/or NRC Canadian standards.

DEFINITE PURPOSE

**Footnotes:**

20 Rated 60/50 hertz, 190/380 or 380 volt at next lower horsepower

# Cooling Tower/Severe Duty, Two-Speed, One-Winding, Variable Torque, Blue Chip XRI®

## Three Phase Totally Enclosed, Rigid Base



**Applications:** Cooling towers, Fan and Blowers, and other severe duty environments where long life and ultra-high efficiency are desired. Guaranteed efficiencies offer an **eXtra R**eturn on your **I**nvestment when using these premium efficiency motors on high cycle or long run applications. Replacement for two-speed Marley cooling tower motors.

- Features:**
- Blue Chip® quality, 100% cast iron construction for rigidity and reduced vibration
  - Internal and external epoxy paint
  - Class F insulation
  - 1.15 Service Factor
  - Extended grease tubes, regreasable in service
  - T-drains provided for effective drainage (Installed in both endshields)
  - Shaft Slinger
  - Forsheda seals on both ends
  - Actual test and vibration data supplied with each motor
  - Ball Bearings
  - UL Recognized and CSA Certified
  - Three year warranty
  - Horizontal mounting only; consult Engineering for Vertical mounting

**IP55**

HP	RPM	VOLTS	FRAME	CAT. NO.	MODEL NO.	LIST PRICE	MULT. SYMB.	NOM. EFF.	F.L. AMPS	APPROX. WGT. LBS.	"C" DIM.	FOOT NOTES
3/7.5	1800/900	460	184T	Y380	184TTFS7290	\$1,287	S3	85.5	4.0/1.75	141	16.19	
5/1.25	1800/900	460	213T	Y381★	213TTFS7238	\$1,423	S3	89.5	6.0/2.4	199	19.72	d
7.5/1.9	1800/900	460	215T	Y382★	215TTFS7290	\$1,845	S3	89.5	9.0/3.1	189	19.72	
10/2.5	1800/900	460	254T	Y383★	254TTFNA7210	\$2,223	S3	90.2	12.0/4.0	360	23.52	
15/3.75	1800/900	460	256T	Y384★	256TTFNA7250	\$2,777	S3	90.2	18.0/6.0	408	25.27	
20/5	1800/900	460	284T	Y385★	284TTFNA7240	\$3,465	S3	91.7	24.0/8.5	382	26.34	
25/6.25	1800/900	460	286T	Y386★	286TTFNA7260	\$4,044	S3	91.7	31.0/11.0	489	27.84	
30/7.5	1800/900	460	324T	Y387★	324TTFS7290	\$4,935	S3	91.0	35.0/11.2	623	28.87	
40/10	1800/900	460	326T	Y388★	326TTFS9210	\$6,167	S3	87.5	46.0/14.6	668	30.37	
50/13	1800/900	460	364T	Y389★	364TTFS9234	\$7,844	S3	92.4	61.0/24.0	975	31.50	
60/15	1800/900	460	365T	Y390★	365TTFS9230	\$11,353	S3	92.4	75.0/25.0	1000	32.50	
75/18.75	1800/900	460	405T	Y391★	405TTFS7297	\$14,685	S3	94.1	83.0/27.0	1331	37.12	
100/25	1800/900	460	444T	Y392	444TTFS7262	\$17,761	S3	94.1	113/37.5	1781	41.25	

Blue shaded areas are Cast Iron Frames

★ Stock Model

DEFINITE PURPOSE

**Footnotes:**

d To be discontinued after current stock is gone



# Two-Speed, One-Winding, Variable Torque, Three Phase

Dripproof, Rigid Base

**Applications:** Commercial and industrial fans, blowers, pumps, and other machinery that have variable torque characteristics. Prolonged use at low speed can result in significant energy savings. Dripproof motors are intended for use in environments that are relatively clean and dry. For use outdoors an enclosure or drip cover may be required (see Accessories section).

- Features:**
- Ball Bearings
  - 1.15 Service Factor
  - UL Recognized and CSA Certified



HP	RPM	VOLTS	FRAME	CAT. NO.	MODEL NO.	LIST PRICE	MULT. SYMB.	NOM. EFF.	F.L. AMPS	APPROX. WGT. LBS.	"C" DIM.	FOOT NOTES
<b>3/1.75</b>	1800/900	200-230	182T	Y484 *	182TTDR7412	\$606	S3	82.5	8.8-3.8/8.0-3.6	64	14.19	F,13,25
	1800/900	460	182T	Y485	182TTDR7203	\$606	S3	84.0	3.8/1.6	58	13.22	25
<b>5/1.25</b>	1800/900	200-230	184T	Y486 *	184TTDR7287	\$848	S3	85.5	15.0-14.0/6.0-6.2	87	14.72	F,13,25
	1800/900	460	184T	Y487 *	184TTDR7209	\$848	S3	84.0	6.8/2.8	79	14.72	13,25
<b>7.5/1.88</b>	1800/900	200-230	213T	Y488 *	213TTDW7202	\$1,052	S3	86.5	21.6-19.8/7.6-7.8	110	17.30	
	1800/900	460	213T	Y489 *	213TTDW7201	\$1,052	S3	87.5	9.6/3.6	118	17.30	
<b>10/2.5</b>	1800/900	200-230	215T	Y490	215TTDW17206	\$1,329	S3	86.5	29.0-26.4/10.0-10.0	143	18.55	F,13
	1800/900	460	215T	Y491	215TTDW7201	\$1,329	S3	86.5	12.5/4.5	106	17.30	
<b>15/3.75</b>	1800/900	460	256T	Y492	256TTDX7207	\$1,745	S3	87.5	18.4/6.1	197	22.32	
<b>20/5</b>	1800/900	460	284T	Y493	284TTDP7202	\$2,172	S3	87.5	25.0/8.0	320	23.49	

Blue shaded areas are Cast Iron Frames

★ Stock Model

# Two-Speed, Two-Winding, Variable Torque, Three Phase

Dripproof, Rigid Base

**Applications:** Commercial and industrial fans, blowers, pumps, and other machinery that have variable torque characteristics. Prolonged use at low speed can result in significant energy savings. Dripproof motors are intended for use in environments that are relatively clean and dry. For use outdoors an enclosure or drip cover may be required (see Accessories section).

- Features:**
- Ball Bearings
  - 1.15 Service Factor
  - UL Recognized and CSA Certified
  - Plus Economical two-winding, two-speed design

HP	RPM	VOLTS	FRAME	CAT. NO.	MODEL NO.	LIST PRICE	MULT. SYMB.	NOM. EFF.	F.L. AMPS	APPROX. WGT. LBS.	"C" DIM.	FOOT NOTES
<b>1/1.25</b>	1800/900	460	145T	Y465 *	145TTDR5701	\$730	S3	79.5	1.5/0.75	43	12.99	5,13
<b>1/1.44</b>	1800/1200	200-230	145T	Y449 *	145TTDR5703	\$730	S3	80.0	3.4-3.2/2.0-2.0	42	12.99	5,13
	1800/1200	460	145T	Y450	145TTDR5704	\$730	S3	78.5	1.5/1.0	39	12.49	5,13
<b>1.5/1.37</b>	1800/900	460	145T	Y466 *	145TTDR5702	\$801	S3	78.5	2.2/1.1	47	13.49	5,13
<b>1.5/1.67</b>	1800/1200	200-230	145T	Y451 *	145TTDR5705	\$801	S3	80.0	5.0-4.8/2.6-2.9	48	13.49	5,13
	1800/1200	460	145T	Y452 *	145TTDR5706	\$801	S3	78.5	2.3/1.3	44	12.99	5,13
<b>2/1.5</b>	1800/900	460	182T	Y467 *	182TTDR7411	\$883	S3	80.0	3.0/1.2	61	13.22	13,25
<b>2/1.88</b>	1800/1200	200-230	182T	Y453 *	182TTDR7413	\$883	S3	81.0	6.5-6.3/3.5-3.5	64	13.72	13,25
<b>2/1.9</b>	1800/1200	460	182T	Y409 *	182TTDR7211	\$883	S3	80.0	3.0/1.7	53	12.72	25
<b>3/1.75</b>	1800/900	460	184T	Y468 *	184TTDR7230	\$919	S3	82.5	4.3/1.8	72	13.72	25
<b>3/1.3</b>	1800/1200	200-230	184T	Y454 *	184TTDR7286	\$919	S3	82.5	9.3-8.5/4.9-4.6	79	14.72	13,25
	1800/1200	460	184T	Y412 *	184TTDR7215	\$919	S3	82.5	4.6/2.7	69	13.72	25
<b>5/1.25</b>	1800/900	460	215T	Y469 *	215TTDW7205	\$1,286	S3	86.5	6.8/3.1	118	17.30	
<b>5/2.22</b>	1800/1200	200-230	215T	Y455 *	215TTDW7204	\$1,286	S3	85.5	14.5-13.0/7.3-7.0	119	17.30	
	1800/1200	460	215T	Y415 *	215TTDW7203	\$1,286	S3	85.5	6.5/3.5	106	17.30	

Continued on next page.

**Footnotes:**

- F Class F Insulation
- 13 F1 Mounting Only, Cannot reassemble to F2
- 25 Motor will NOT accept C-Face kit

DEFINITE PURPOSE

# Two-Speed, Two-Winding, Variable Torque, Three Phase

## Dripproof, Rigid Base

HP	RPM	VOLTS	FRAME	CAT. NO.	MODEL NO.	LIST PRICE	MULT. SYMB.	NOM. EFF.	F.L. AMPS	APPROX. WGT. LBS.	"C" DIM.	FOOT NOTES
<b>7.5/1.9</b>	1800/900	460	254T	Y470★	254TTDX7201	\$1,595	S3	85.5	10.5/4.1	135	20.57	
<b>7.5/3.3</b>	1800/1200	200-230	254T	Y456★	254TTDX7278	\$1,595	S3	87.5	20.8-18.4/11.0-10.2	198	22.32	
	1800/1200	460	254T	Y418★	254TTDX7208	\$1,595	S3	84.0	10.0/5.6	144	20.57	
<b>10/2.5</b>	1800/900	460	256T	Y471★	256TTDX7253	\$1,978	S3	86.5	12.9/5.6	145	22.32	
<b>10/4.4</b>	1800/1200	200-230	256T	Y457	256TTDX7263	\$1,978	S3	88.5	28-26/15-14	214	22.32	
	1800/1200	460	256T	Y458★	256TTDX7264	\$1,978	S3	87.5	12.0/6.5	185	22.32	
<b>15/3.8</b>	1800/900	460	284T	Y472	284TTDP7205	\$2,646	S3	88.5	18.0/6.5	300	23.49	
<b>15/6.7</b>	1800/1200	460	284T	Y459★	284TTDP7221	\$2,646	S3	87.5	18.5/9.5	325	23.49	
<b>20/5</b>	1800/900	460	286T	Y473	286TTDP7251	\$3,296	S3	88.5	25.0/8.5	321	24.99	
<b>20/8.9</b>	1800/1200	460	286T	Y460	286TTDP7217	\$3,296	S3	88.5	25.0/12.0	340	24.99	

Blue shaded areas are Cast Iron Frames

★ Stock Model

## 50 Hertz, Three Phase

### Dripproof, Rigid Base



**Applications:** For general purpose use where 50 hertz power is available on compressors, pumps, conveyors, fans, blowers, and other machinery in environments that are relatively clean and dry. For use outdoors an enclosure or drip cover may be required (see Accessories section).

- Features:**
- Ball bearings
  - 1.15 Service Factor
  - Nameplated 190-200-208/380-400-416
  - 12 Lead delta capability
  - UL Recognized and CSA Certified

HP	RPM	VOLTS	FRAME	CAT. NO.	MODEL NO.	LIST PRICE	MULT. SYMB.	NOM. EFF.	F.L. AMPS	APPROX. WGT. LBS.	"C" DIM.	FOOT NOTES
<b>2</b>	1500	190-208/380-416	145T	H952	145TTDR5647	\$426	E6	82.5	7.2-7.3/3.6-3.65	41	12.99	F,YD,5,7
<b>3</b>	1500	190-208/380-416	182T	H953	182TTDR8353	\$474	E6	81.5	10.0-9.8/5.0-4.9	60	13.22	F,YD,25
<b>5</b>	1500	190-208/380-416	184T	H954★	184TTDR9040	\$603	E6	82.5	16.2-15.6/8.1-7.8	84	14.72	F,YD,13,25
<b>7 1/2</b>	1500	190-208/380-416	213T	H955	213TTDW7053	\$792	E6	85.5	22.6-19.0/9.5-11.3	115	17.30	YD
<b>10</b>	1500	190-208/380-416	215T	H956★	215TTDW7053	\$942	E6	88.5	31.0-29.1/15.5-14.5	135	17.30	YD
<b>15</b>	1500	190-208/380-416	254T	H957	254TTDX8338	\$1,247	E6	88.5	46.0-44.0/23.0-22.0	180	22.32	F,YD

★ Stock Model

**Footnotes:**

- |    |   |    |   |
|----|---|----|---|
| F  | Class F Insulation  | 7  | Will accept C-Face kit, see Accessory Section |
| YD | 12 Leads for WYE-DELTA, Part Winding, or across-the-line starting | 13 | F1 Mounting Only, Cannot reassemble to F2     |
| 5  | 56H, 143T, and 145T Combination Base with 12 mounting holes       | 25 | Motor will NOT accept C-Face kit              |

# Automotive Duty, U-Frame

## Three Phase, Totally Enclosed, Rigid Base

**Applications:** For use in plants that require automotive approved motors. These motors are designed to meet the mechanical and electrical requirements of Daimler Chrysler NPEM-100, Ford EM-1, and General Motors GM 7EQ specifications.



**Features:**

- **AQ = Standard efficiency and meets GM 7EQ (see footnote)**
- **AH = Premium efficiency and meets GM 7EH and GM 7EQ (see footnote)**
- Cast iron construction
- Oversized, fully gasketed, cast iron conduit box
- Oversized ball bearings
- NEMA Design B
- Class F insulation
- 1.0 Service Factor at 65°C ambient, 1.15 Service Factor at 40°C ambient
- V-Ring shaft seals
- Five year warranty

HP	RPM	VOLTS	FRAME	CAT. NO.	MODEL NO.	LIST PRICE	MULT. SYMB.	NOM. EFF.	F.L. AMPS	APPROX. WGT. LBS.	"C" DIM.	FOOT NOTES
3/4	1200	460	182U	P410	-----	\$850	E9	82.5	1.3	108	12.21	AH
	1200	460	182U	P310	-----	\$660	E9	81.5	1.3	108	12.21	AQ
1	1800	460	182U	P412	182UTTS4026	\$798	E9	87.5	1.5	108	12.21	AH
	1800	460	182U	P312	182UTTS8026	\$619	E9	86.5	1.5	108	12.21	AQ
	1200	460	184U	P413	184UTTS4076	\$976	E9	86.5	1.7	108	13.21	AH
	1200	460	184U	P313	184UTTS8076	\$758	E9	85.5	1.7	108	13.21	AQ
1 1/2	3600	460	182U	P415	182UTTS4001	\$736	E9	85.5	2.0	108	12.21	AH
	1800	460	184U	P416	184UTTS4026	\$855	E9	88.5	2.1	108	13.21	AH
	1800	460	184U	P316	184UTTS8026	\$664	E9	87.5	2.1	108	13.21	AQ
	1200	460	184U	P417	184UTTS4078	\$1,077	E9	87.5	2.2	108	13.21	AH
2	3600	460	184U	P419	184UTFS4001	\$811	E9	85.5	2.7	108	15.69	AH
	1800	460	184U	P420	184UTFS4026	\$901	E9	89.5	2.6	119	15.69	AH
	1800	460	184U	P320	184UTFS8026	\$698	E9	88.5	2.6	120	15.69	AQ
	1200	460	213U	P421	213UTFS4076	\$1,192	E9	87.5	3.1	170	17.82	AH
	1200	460	213U	P321	213UTFS8076	\$926	E9	86.5	3.1	170	17.82	AQ
3	3600	460	184U	P423	184UTFS4002	\$920	E9	87.5	3.8	120	15.69	AH
	1800	460	213U	P424	213UTFS4026	\$1,037	E9	88.5	4.0	170	17.82	AH
	1200	460	215U	P425	215UTFS4076	\$1,477	E9	89.5	4.4	170	19.32	AH
	1200	460	215U	P325	215UTFS8076	\$1,149	E9	88.5	4.4	170	19.32	AQ
5	3600	460	213U	P427	213UTFS4001	\$1,095	E9	87.5	6.4	179	17.82	AH
	1800	460	215U	P428	215UTFS4026	\$1,375	E9	89.5	6.5	170	19.32	AH
	1800	460	215U	P328	215UTFS8026	\$1,067	E9	88.5	6.5	170	19.32	AQ
	1200	460	254U	P429	254UTFNA4076	\$2,055	E9	90.2	6.7	260	23.27	AH
7 1/2	3600	460	215U	P431 *	215UTFS4001	\$1,330	E9	88.5	9.5	170	19.32	AH
	1800	460	254U	P432	254UTFPA4026	\$1,806	E9	91.7	9.6	260	23.44	AH
	1800	460	254U	P332	254UTFPA8026	\$1,443	E9	90.2	9.6	260	23.44	AQ
	1200	460	256U	P433	256UTFNA4076	\$2,628	E9	91.0	9.9	332	25.02	AH
	1200	460	256U	P333	256UTFNA8076	\$2,100	E9	89.5	9.9	332	25.02	AQ
10	3600	460	254U	P435 *	254UTFPA4001	\$1,592	E9	90.2	12.0	325	23.44	AH,NS
	1800	460	256U	P436	256UTFPA4026	\$2,194	E9	91.7	12.5	260	25.19	AH
	1800	460	256U	P336	256UTFPA8026	\$1,755	E9	90.2	12.5	260	25.19	AQ
	1200	460	284U	P437	284UTFPA4076	\$3,219	E9	91.0	13.1	490	26.52	AH
15	3600	460	256U	P439	256UTFNA4001	\$2,029	E9	91.7	17.5	260	25.02	AH,NS
	1800	460	284U	P440	284UTFPA4026	\$3,013	E9	92.4	18.0	525	26.52	AH
	1800	460	284U	P340	284UTFPA8026	\$2,411	E9	91.0	18.0	525	26.52	AQ
	1200	460	324U	P441 *	324UTFS4076	\$4,334	E9	92.4	19.0	610	29.24	d,AH
	1200	460	324U	P341	324UTFS8076	\$3,462	E9	91.0	19.5	610	29.24	AQ

Blue shaded areas are Cast Iron Frames

\* Stock Model

Continued on next page.

**Footnotes:**

- d To be discontinued after current stock is gone
- AH Conforms to GM 7EH and satisfies Ford EM-1 and GM 7EQ
- AQ Conforms to GM 7EQ and satisfies Daimler Chrysler NPEM-100, and Ford EM-1
- NS Single Shielded Ball Bearings

# Automotive Duty, U-Frame

Three Phase, Totally Enclosed, Rigid Base

HP	RPM	VOLTS	FRAME	CAT. NO.	MODEL NO.	LIST PRICE	MULT. SYMB.	NOM. EFF.	F.L. AMPS	APPROX. WGT. LBS.	"C" DIM.	FOOT NOTES
20	3600	460	286U	P444	286UTFPA4001	\$2,761	E9	92.4	23.4	636	28.02	AH,NS
	1800	460	286U	P445	286UTFPA4026	\$3,700	E9	93.0	25.0	636	28.02	AH
	1800	460	286U	P344	286UTFPA8026	\$2,959	E9	91.0	24.1	525	28.02	AQ
	1200	460	326U	P446	326UTFS4076	\$5,295	E9	92.4	25.0	750	30.74	AH
25	3600	460	324US	P450	324USTFPA4001	\$3,541	E9	93.6	28.1	520	26.97	AH,NS
	1800	460	324U	P451	324UTFS4026	\$4,632	E9	94.1	30.0	700	29.24	AH
	1800	460	324U	P348	324UTFS8026	\$3,702	E9	93.0	30.0	671	29.24	AQ
	1200	460	364U	P453	364UTFS4086	\$6,393	E9	93.0	31.0	1160	32.00	AH
	1200	460	364U	P349	364UTFS8086	\$5,111	E9	91.7	31.0	1160	32.00	AQ
30	3600	460	326US	P457	326USTFPA4001	\$4,271	E9	91.0	35.0	748	28.47	AH,NS
	1800	460	326U	P458	326UTFS4026	\$5,412	E9	94.1	35.5	700	30.74	AH
	1800	460	326U	P352	326UTFS8026	\$4,327	E9	92.4	36.0	748	30.74	AQ
	1200	460	365U	P460	365UTFS4086	\$7,234	E9	93.0	37.0	1160	33.00	AH
	1200	460	365U	P353	365UTFS8086	\$5,785	E9	91.7	37.0	1160	33.00	AQ
40	3600	460	364US	P464	364USTFS4001	\$5,575	E9	93.6	45.0	939	29.38	AH,NS
	1800	460	364U	P465	364UTFS4036	\$7,137	E9	94.1	46.5	965	32.00	AH
	1800	460	364U	P356	364UTFS8036	\$5,706	E9	93.0	46.5	977	32.00	AQ
	1200	460	404U	P467	404UTFS4086	\$9,320	E9	93.6	48.5	1158	35.50	AH
	1200	460	404U	P357	-----	\$7,449	E9	92.4	48.5	1110	35.50	AQ
50	3600	460	365US	P471	365USTFS4001	\$7,036	E9	94.1	56.0	1017	30.38	AH,NS
	1800	460	365U	P472	365UTFS4036	\$8,372	E9	94.5	57.0	1061	33.00	AH,V
	1800	460	365U	P360	365UTFS8036	\$6,691	E9	93.0	57.0	1061	33.00	AQ
	1200	460	405U	P474	405UTFS4086	\$10,765	E9	94.1	59.0	1110	37.00	AH
	1200	460	405U	P361	-----	\$8,605	E9	93.6	59.0	1110	37.00	AQ
60	3600	460	405US	P478	405USTFS4001	\$8,371	E9	94.1	65.5	1206	34.12	AH,V
	1800	460	405U	P479	405UTFS4036	\$10,394	E9	95.0	67.5	1110	37.00	AH,V
	1800	460	405U	P364	405UTFS17033	\$8,310	E9	93.6	68.5	1110	37.00	AQ
	1200	460	444U	P481	444UTFS4086	\$12,639	E9	94.1	71.0	1787	41.38	AH
	1200	460	444U	P365	444UTFS17077	\$10,103	E9	93.6	71.0	1787	41.38	AQ
75	3600	460	444US	P485	444USTFS4001	\$11,000	E9	94.1	82.0	1704	37.00	AH
	1800	460	444U	P486	444UTFS4036	\$12,819	E9	95.0	85.0	1745	41.38	AH
	1800	460	444U	P368	-----	\$10,250	E9	92.4	89.5	1787	41.38	AQ
	1200	460	445U	P488	445UTFN4086	\$14,987	E9	95.0	90.0	1787	43.51	AH
	1200	460	445U	P369	-----	\$11,981	E9	93.6	88.0	1787	43.51	AQ
100	3600	460	445US	P492	445USTFN4001	\$14,536	E9	95.4	113	1685	38.94	AH
	1800	460	445U	P493	445UTFN4036	\$15,938	E9	95.4	113	2115	43.51	AH,V
	1800	460	445U	P372	-----	\$12,955	E9	94.5	115	1787	43.51	AQ

DEFINITE PURPOSE

Blue shaded areas are Cast Iron Frames

★ Stock Model

**Footnotes:**

- AH Conforms to GM-7EH and satisfies Ford EM-1, and GM-7EQ
- AQ Conforms to GM-7EQ and satisfies Daimler Chrysler NPEM-100 and Ford EM-1
- V Vibration not met
- NS Single Shielded Ball Bearings

# Automotive Duty, U-Frame

## Three Phase, Totally Enclosed, C-Face Rigid Base

**Applications:** For use in plants that require automotive approved motors. These motors are designed to meet the mechanical and electrical requirements of Daimler Chrysler NPEM-100, Ford EM-1, and General Motors GM 7EH and GM 7EQ specifications.

**Features:**



- **Premium efficiency conforms to GM 7EH**
- Cast iron construction
- Oversized, fully gasketed, cast iron conduit box
- Oversized ball bearings
- NEMA Design B
- **Satisfies Ford EM-1, Daimler Chrysler NPEM-100 and GM 7EQ**
- Class F insulation
- 1.0 Service Factor at 65°C ambient, 1.15 Service Factor at 40°C
- V-Ring Shaft Seals
- Five year warranty

HP	RPM	VOLTS	FRAME	CAT. NO.	MODEL NO.	LIST PRICE	MULT. SYMB.	NOM. EFF.	F.L. AMPS	APPROX. WGT. LBS.	"C" DIM.	FOOT NOTES
<b>3/4</b>	1200	460	182UC	P510	-----	\$906	E9	82.5	1.3	120	12.96	
<b>1</b>	1800	460	182UC	P512	182UTTS4027	\$855	E9	87.5	1.5	120	12.96	
	1200	460	184UC	P513	184UTTS4077	\$1,032	E9	86.5	1.7	112	13.96	
<b>1 1/2</b>	3600	460	182UC	P514	-----	\$793	E9	85.5	2.0	120	12.96	
	1800	460	184UC	P515	184UTTS4027	\$912	E9	88.5	2.1	108	13.96	
	1200	460	184UC	P516	184UTTS4079	\$1,134	E9	87.5	2.2	135	13.96	
<b>2</b>	3600	460	184UC	P517	-----	\$869	E9	85.5	2.7	132	16.28	
	1800	460	184UC	P518	184UTFS4027	\$959	E9	89.5	2.6	180	16.28	
	1200	460	213UC	P519	213UTFS4078	\$1,258	E9	87.5	3.1	181	18.58	NS
<b>3</b>	3600	460	184UC	P520	184UTFS4004	\$977	E9	87.5	3.8	132	16.28	
	1800	460	213UC	P521	213UTFS4027	\$1,103	E9	88.5	4.0	181	18.58	NS
	1200	460	215UC	P522	215UTFS4078	\$1,544	E9	89.5	4.4	181	20.08	NS
<b>5</b>	3600	460	213UC	P523	213UTFS4002	\$1,161	E9	87.5	6.4	181	18.58	
	1800	460	215UC	P524	215UTFS4027	\$1,441	E9	89.5	6.5	181	20.08	NS
	1200	460	254UC	P525	254UTFNA4078	\$2,141	E9	90.2	6.7	272	23.77	
<b>7 1/2</b>	3600	460	215UC	P526	215UTFS4002	\$1,397	E9	88.5	9.5	181	20.08	
	1800	460	254UC	P527	254UTFPA4027	\$1,893	E9	91.7	9.6	272	23.89	
	1200	460	256UC	P528	256UTFNA4078	\$2,714	E9	91.0	9.9	408	25.52	
<b>10</b>	3600	460	254UC	P529	-----	\$1,680	E9	89.5	12.0	272	25.64	
	1800	460	256UC	P530	256UTFPA4027	\$2,281	E9	91.7	12.5	260	25.64	
	1200	460	284UC	P531	284UTFPA4078	\$3,370	E9	91.0	13.1	434	26.52	
<b>15</b>	3600	460	256UC	P532	-----	\$2,116	E9	91.7	17.5	272	25.52	
	1800	460	284UC	P533	284UTFPA4027	\$3,165	E9	92.4	18.0	675	26.52	
	1200	460	324UC	P534	324UTFS4078	\$4,587	E9	92.4	19.0	757	29.25	
<b>20</b>	3600	460	286UC	P535	286UTFN4002	\$2,910	E9	93.6	22.5	531	28.02	
	1800	460	286UC	P536	286UTFPA4027	\$3,853	E9	93.0	24.1	531	28.02	
	1200	460	326UC	P537	326UTFS4078	\$5,549	E9	92.4	25.0	757	30.75	
<b>25</b>	3600	460	324UC	P538	324UTFS4002	\$3,795	E9	93.6	28.0	700	29.25	
	1800	460	324UC	P539	324UTFS4027	\$4,884	E9	94.1	30.0	600	29.25	
	1200	460	364UC	P540	364UTFS4087	\$6,800	E9	93.0	31.0	1169	32.00	
<b>30</b>	3600	460	326UC	P541	-----	\$4,523	E9	93.6	34.0	755	30.75	
	1800	460	326UC	P542	-----	\$5,664	E9	94.1	35.5	755	30.75	
	1200	460	365UC	P543	-----	\$7,642	E9	93.0	37.0	1169	33.00	
<b>40</b>	3600	460	364UC	P544	-----	\$5,983	E9	93.6	45.0	917	32.00	
	1800	460	364UC	P545	-----	\$7,543	E9	94.1	46.5	986	32.00	
	1200	460	404UC	P546	-----	\$9,802	E9	93.6	48.5	1123	35.50	
<b>50</b>	3600	460	365UC	P547	-----	\$7,442	E9	94.1	56.0	989	33.00	
	1800	460	365UC	P548	-----	\$8,778	E9	94.5	57.0	1072	33.00	
	1200	460	405UC	P549	-----	\$11,248	E9	94.1	59.5	1123	37.00	
<b>60</b>	3600	460	405UC	P550	-----	\$8,853	E9	94.1	65.5	1143	37.00	
	1800	460	405UC	P551	-----	\$10,878	E9	95.0	67.5	1123	37.00	
	1200	460	444UC	P552	-----	\$13,238	E9	94.1	71.0	1810	41.38	
<b>75</b>	3600	460	444UC	P553	-----	\$11,597	E9	94.1	82.0	1708	41.38	
	1800	460	444UC	P554	444UTFS4027	\$13,418	E9	95.0	85.0	1797	41.38	
	1200	460	445UC	P555	-----	\$15,584	E9	95.0	90.0	1810	43.38	
<b>100</b>	3600	460	445UC	P556	-----	\$15,134	E9	95.4	113	1708	43.38	
	1800	460	445UC	P557	-----	\$16,533	E9	95.4	113	1810	43.38	

DEFINITE PURPOSE

**Footnotes:**

NS Single Shielded Ball Bearings

Blue shaded areas are Cast Iron Frames



# Automotive Duty, U-Frame

## Three Phase, Totally Enclosed, C-Face

**Applications:** For use in plants that require automotive approved motors. These motors are designed to meet the mechanical and electrical requirements of Daimler Chrysler NPEM-100, Ford EM-1, and General Motors GM 7EH and GM 7EQ specifications.

- Features:**
- **Premium efficiency conforms to GM 7EH**
  - **Satisfies Ford EM-7, Daimler Chrysler NPEM-100 and GM-7EQ**
  - Cast iron construction
  - Oversized, fully gasketed, cast iron conduit box
  - Oversized ball bearings
  - NEMA Design B
  - Class F insulation
  - 1.0 Service Factor at 65°C ambient, 1.15 Service Factor at 40°C
  - V-Ring shaft seals
  - Five year warranty



HP	RPM	VOLTS	FRAME	CAT. NO.	MODEL NO.	LIST PRICE	MULT. SYMB.	NOM. EFF.	F.L. AMPS	APPROX. WGT. LBS.	"C" DIM.	FOOT NOTES
<b>1</b>	1800	460	182UC	P612	182UTTS4028	\$855	E9	87.5	1.5	120	12.96	
	1200	460	184UC	P613	184UTTS4080	\$1,032	E9	86.5	1.7	120	13.96	
<b>1 1/2</b>	1800	460	184UC	P614	184UTTS4028	\$912	E9	88.5	2.1	120	13.96	
	1200	460	184UC	P615	184UTTS4081	\$1,134	E9	87.5	2.2	120	13.96	
<b>2</b>	1800	460	184UC	P616	184UTFS4028	\$959	E9	89.5	2.6	132	16.22	
	1200	460	213UC	P617	213UTFS4079	\$1,258	E9	87.5	3.1	185	18.58	NS
<b>3</b>	1800	460	213UC	P618	213UTFS4028	\$1,103	E9	88.5	4.0	181	18.58	NS
	1200	460	215UC	P619	215UTFS4079	\$1,544	E9	89.5	4.4	181	20.08	NS
<b>5</b>	1800	460	215UC	P620	215UTFS4028	\$1,441	E9	89.5	6.5	181	20.08	NS
	1200	460	254UC	P621	254UTFNA4079	\$2,141	E9	90.2	6.7	272	25.51	
<b>7 1/2</b>	1800	460	254UC	P622	254UTFPA4028	\$1,893	E9	91.7	9.6	272	23.94	
	1200	460	256UC	P623	256UTFNA4079	\$2,714	E9	91.0	9.9	344	25.51	
<b>10</b>	1800	460	256UC	P624	256UTFPA4028	\$2,281	E9	91.7	12.5	272	25.69	
	1200	460	284UC	P625	284UTFPA4079	\$3,370	E9	91.0	13.1	531	26.50	
<b>15</b>	1800	460	284UC	P626	284UTFPA4028	\$3,165	E9	92.4	18.0	531	26.50	
<b>20</b>	1800	460	286UC	P627	286UTFPA4028	\$3,853	E9	93.0	24.1	531	28.00	
<b>25</b>	1800	460	324UC	P628	324UTFS4028	\$4,884	E9	94.1	30.0	755	29.25	
<b>30</b>	1800	460	326UC	P629	326UTFS4028	\$5,664	E9	94.1	35.5	900	30.75	
	1200	460	365UC	P630	365UTFS4088	\$7,642	E9	93.0	37.0	1169	33.00	
<b>40</b>	1800	460	364UC	P631	364UTFS4028	\$7,543	E9	94.1	47.0	979	32.00	
	1200	460	405UC	P632	-----	\$9,802	E9	93.6	48.5	1123	35.50	
<b>50</b>	1800	460	365UC	P633	365UTFS4028	\$8,778	E9	94.5	57.0	1072	33.00	
	1200	460	405UC	P634	-----	\$11,248	E9	94.1	59.5	1123	37.00	
<b>60</b>	1800	460	405UC	P635	405UTFS4028	\$10,878	E9	95.0	67.5	1123	37.00	
	1200	460	444UC	P636	-----	\$13,238	E9	94.1	71.0	1810	41.38	
<b>75</b>	1800	460	444UC	P637	444UTFS4028	\$13,418	E9	95.0	85.0	1810	43.38	
	1200	460	445UC	P638	-----	\$15,584	E9	95.0	90.0	1810	43.38	
<b>100</b>	1800	460	445UC	P639	445UTFN4028	\$16,533	E9	95.4	113	1810	43.50	

Blue shaded areas are Cast Iron Frames

DEFINITE PURPOSE

**Footnotes:**  
NS Single Shielded Ball Bearings

# Automotive Duty, T-Frame, GM 7E-TA

Three Phase, Totally Enclosed, Rigid Base

**Applications:** For use in plants that require automotive approved motors. These motors are designed to meet the mechanical and electrical requirements of General Motors GM 7E-TA.

- Features:**
- Conforms to GM 7E-TA
  - Vibration comments on record with GM corporate
  - Meets or exceeds NEMA Premium® efficiencies**
  - Meets IEEE-841 standard for severe duty applications
  - Blue Chip® quality, 100% cast iron construction for rigidity and reduced vibration
  - Inpro/Seal® VBX® bearing isolators on drive end shaft extension TENV and on both ends of TEFC
  - Provisions to add stub shaft for an encoder (182T-449T, TEFC only)
  - Internal and external epoxy paint
  - MAX GUARD® Class F insulation system
  - 1.15 Service Factor on sinewave, 1.0 Service Factor on IGBT power
  - Bearing caps (254T and larger)
  - Precision balanced
  - Extended grease tubes, regreasable in service
  - Brass drain and breather
  - Meets IEEE45 USCG Marine Duty, API RPI4F for offshore platforms, IP56
  - Meets NEMA MG1 - 1.26.6 Waterproof specification
  - Division 2 CSA certification nameplate, for hazardous locations, Class I Groups A, B, C, and D
  - Actual test and vibration data supplied with each motor
  - Ball bearings, except where noted
  - UL Recognized (through 449T), CSA Certified
  - Five year warranty

**Available with Nameplate Modification (through 40 HP):**

- 2:1, 20:1, or 1000:1 Constant Torque, 1.0 Service Factor on IGBT (PWM) power
- 1.25 Service Factor through 40 HP (sinewave only)
- 50HZ at same HP, 1.0 Service Factor through 40 HP (sinewave only)
- Contact Marathon Electric for optional nameplate markings on 50 HP and larger



Suitable for use on VFD per guidelines on page 15.

HP	RPM	VOLTS	FRAME	CAT. NO.	MODEL NO.	LIST PRICE	MULT. SYMB.	NOM. EFF.	F.L. AMPS	APPROX. WGT. LBS.	"C" DIM.	FOOT NOTES	C FACE KITS
<b>3/4</b>	1200	460	143T	<b>R.T.M.</b>	-----	-----	E9	80.0	1.4	53	10.43	N	
<b>1</b>	1800	460	143T	<b>R.T.M.</b>	-----	-----	E9	85.5	1.5	55	10.43	N	
	1200	460	145T	<b>R.T.M.</b>	-----	-----	E9	80.0	1.65	60	11.43		
<b>1 1/2</b>	3600	460	143T	<b>R.T.M.</b>	-----	-----	E9	86.5	2.0	58	10.43	N	
	1800	460	145T	<b>R.T.M.</b>	-----	-----	E9	84.0	2.2	65	11.43		
	1200	460	182T	<b>W509</b>	182THTS9076	<b>\$996</b>	E9	87.5	2.2	100	12.71	d,N,75	A182
<b>2</b>	3600	460	145T	<b>R.T.M.</b>	-----	-----	E9	85.5	2.5	68	11.43	N	
	1800	460	145T	<b>R.T.M.</b>	-----	-----	E9	85.5	3.0	68	11.43	N	
	1200	460	184T	<b>W515</b> *	184THTS9076	<b>\$1,230</b>	E9	88.5	3.0	112	13.71	N,75	A182
<b>3</b>	3600	460	182T	<b>W517</b> *	182THTS9001	<b>\$1,114</b>	E9	87.5	3.8	105	12.71	N,75	A182
	1800	460	182T	<b>W519</b> *	182THTS9026	<b>\$999</b>	E9	90.2	4.0	100	12.71	N,75	A182
	1200	460	213T	<b>W521</b> *	213THFS9076	<b>\$1,515</b>	E9	89.5	4.4	176	18.22	75	A183
<b>5</b>	3600	460	184T	<b>W523</b> *	184THFS9001	<b>\$1,238</b>	E9	89.5	5.9	142	16.19	75	A182
	1800	460	184T	<b>W525</b> *	184THFS9026	<b>\$1,158</b>	E9	90.2	6.2	130	16.19	75	A182
	1200	460	215T	<b>W527</b> *	215THFS9076	<b>\$1,860</b>	E9	89.5	6.9	202	19.72	75	A183
<b>7 1/2</b>	3600	460	213T	<b>W530</b> *	213THTS9001	<b>\$1,495</b>	E9	91.7	8.9	200	17.18	N,75	A183
	1800	460	213T	<b>W532</b> *	213THFS9026	<b>\$1,419</b>	E9	91.7	9.6	200	19.73	75	A183
	1200	460	254T	<b>W534</b> *	254THFNA9076	<b>\$2,233</b>	E9	91.0	9.9	326	23.52	75	A184
<b>10</b>	3600	460	215T	<b>W537</b> *	215THFS9001	<b>\$1,746</b>	E9	91.7	11.9	218	19.72	75	A183
	1800	460	215T	<b>W539</b> *	215THFS9026	<b>\$1,709</b>	E9	91.7	12.5	225	19.72	75	A183
	1200	460	256T	<b>W541</b> *	256THFNA9076	<b>\$2,727</b>	E9	91.0	13.1	405	25.27	75	A184
<b>15</b>	3600	460	254T	<b>W544</b> *	254THFNA9001	<b>\$2,165</b>	E9	91.7	17.5	345	23.52		A184
	1800	460	254T	<b>W546</b> *	254THFNA9026	<b>\$2,033</b>	E9	92.4	18.8	350	23.52		A184
	1200	460	284T	<b>W548</b> *	284THFNA9076	<b>\$3,620</b>	E9	91.7	20.4	479	27.88		A186

Blue shaded areas are Cast Iron Frames

\* Stock Model

R.T.M. Refer to Marathon Electric

Catalog numbers (Cat No.) highlighted in bold blue have efficiency levels that meet or exceed U.S. EPA and/or NRC Canadian standards.

**Footnotes:**

d To be discontinued after current stock is gone  
 N Totally Enclosed, Non-Ventilated

75 Addition of C Face Kits may result in non-NEMA "BA" dimension. For the resulting "BA" dimension consult chart found in modification section.

Continued on next page.

DEFINITE PURPOSE

# Automotive Duty, T-Frame, GM 7E-TA

Three Phase, Totally Enclosed, Rigid Base

HP	RPM	VOLTS	FRAME	CAT. NO.	MODEL NO.	LIST PRICE	MULT. SYMB.	NOM. EFF.	F.L. AMPS	APPROX. WGT. LBS.	"C" DIM.	FOOT NOTES	C FACE KITS
20	3600	460	256T	<b>W551</b> ★	256THFNA9001	\$2,683	E9	92.4	23.4	375	25.27	75	A184
	1800	460	256T	<b>W553</b> ★	256THFNA9026	\$2,553	E9	93.0	24.1	425	25.27	75	A184
	1200	460	286T	<b>W555</b>	286THFNA9076	\$4,410	E9	91.7	26.8	550	27.84		A186
25	3600	460	284TS	<b>W558</b> ★	284TSHFNA9001	\$3,305	E9	93.6	28.1	481	24.97		A186
	1800	460	284T	<b>W560</b> ★	284THFNA9026	\$3,015	E9	93.6	31.0	478	26.44		A186
	1200	460	324T	<b>W562</b>	324THFS9076	\$5,346	E9	93.0	32.5	675	28.87		A187
30	3600	460	286TS	<b>W565</b> ★	286TSHFNA9001	\$3,860	E9	93.6	33.8	500	26.44		A186
	1800	460	286T	<b>W567</b> ★	286THFNA9026	\$3,507	E9	94.1	36.5	525	27.84		A186
	1200	460	326T	<b>W569</b> ★	326THFS9076	\$6,157	E9	93.0	38.5	725	30.37		A187
40	3600	460	324TS	<b>W571</b> ★	324TSHFS9001	\$5,090	E9	93.6	47.0	656	27.37		A187
	1800	460	324T	<b>W573</b> ★	324THFS9026	\$4,657	E9	94.1	47.5	700	28.87	d	A187
	1200	460	364T	<b>W575</b>	364THFS9086	\$7,677	E9	94.1	50.0	950	31.50		A188
50	3600	460	326TS	<b>W577</b> ★	326TSHFS9001	\$6,584	E9	93.6	58.0	725	28.87		A187
	1800	460	326T	<b>W580</b> ★	326THFS9026	\$5,720	E9	94.5	60.0	775	30.37		A187
	1200	460	365T	<b>W582</b> ★	365THFS9086	\$8,816	E9	94.5	61.5	975	32.50		A188
60	3600	460	364TS	<b>W584</b> ★	364TSHFS9001	\$7,969	E9	94.5	67.0	925	29.38		A189
	1800	460	364T	<b>W587</b> ★	364THFS9036	\$7,549	E9	95.0	69.0	1000	31.50		A188
	1800	460	364TS	<b>W586</b>	364TSHFS9026	\$7,549	E9	95.0	69.0	1000	29.38		A189
	1200	460	404T	<b>W589</b>	404THFS9086	\$10,330	E9	94.5	72.0	1156	35.62		A190
75	3600	460	365TS	<b>W591</b> ★	365TSHFS9001	\$10,007	E9	94.5	84.0	1002	30.38		A189
	1800	460	365T	<b>W594</b> ★	365THFS9036	\$9,571	E9	95.4	86.0	1100	32.50		A188
	1800	460	365TS	<b>W593</b>	365TSHFS9026	\$9,571	E9	95.4	86.0	1100	30.38		A189
	1200	460	405TS	<b>W596</b>	405THFS9086	\$12,159	E9	94.5	90.0	1280	37.12		A190
100	3600	460	405TS	<b>W598</b> ★	405TSHFS9001	\$13,409	E9	95.0	108	1295	34.12		A191
	1800	460	405T	<b>W600</b> ★	405THFS9036	\$11,824	E9	95.4	113	1330	37.12		A190
	1800	460	405TS	<b>W599</b>	405TSHFS9026	\$11,824	E9	95.4	113	1330	34.12		A191
	1200	460	444T	<b>W602</b>	-----	\$17,931	E9	95.0	119	1700	41.25		
125	3600	460	444TS	<b>W604</b>	444TSHFS9001	\$17,530	E9	95.4	136	1725	37.50		A193
	1800	460	444T	<b>W606</b>	444THFS9036	\$15,566	E9	95.4	141	1725	41.25		A192
	1200	460	445T	<b>W608</b>	445THFN9086	\$20,412	E9	95.0	155	2000	43.19		A192
150	3600	460	445TS	<b>W610</b> ★	445TSHFN9001	\$21,058	E9	95.8	165	2187	39.37	SL	A195
	1800	460	445T	<b>W612</b> ★	445THFN9036	\$18,096	E9	95.8	172	2070	43.19		A194
	1200	460	445T	<b>W614</b>	445THFN9087	\$22,839	E9	95.8	181	2500	43.19	H, RB	A194
200	3600	460	445TS	<b>W616</b>	445TSHFN9005	\$26,639	E9	95.8	223	2300	39.37	H, SL	A195
	1800	460	445T	<b>W618</b>	445THFN9038	\$22,009	E9	96.2	226	2437	43.19	RB	A194
	1800	460	445TS	<b>W617</b> ★	445TSHFN9028	\$22,009	E9	96.2	226	2700	39.37	d	A195
	1800	460	447/9T	<b>W620</b>	-----	\$25,310	E9	96.5	225	2700	51.69	RB	
	1200	460	447/9T	<b>W621</b>	449THFS9046	\$27,957	E9	95.8	225	2927	51.84		
	1200	460	447/9T	<b>W622</b>	449THFS9088	\$27,957	E9	95.8	240	2927	51.69	RB	
250	3600	460	447/9TS	W624	449TSHFS9003	\$33,596	E9	96.5	274	2700	47.94	SL	
	1800	460	445T	W625	-----	\$27,612	E9	95.8	285	2450	43.19	RB, SL, H	
	1800	460	447/9T	W626	449THFS9028	\$31,755	E9	96.5	285	2830	51.69	SL	
	1800	460	447/9T	W627	-----	\$31,755	E9	96.5	285	2830	51.69	RB, SL	
	1200	460	447/9T	W629	-----	\$32,138	E9	95.8	300	3415	51.69	RB	
	1200	460	447/9T	W628	-----	\$32,138	E9	95.8	300	3415	51.69		
300	3600	460	447/9TS	W631	-----	\$43,547	E9	96.2	330	2700	47.94	SL	
	1800	460	447/9T	W632	449THFS9027	\$32,390	E9	96.5	339	3211	51.84	SL	
	1800	460	447/9T	W633	-----	\$32,390	E9	96.5	339	3211	51.69	SL, RB	
350	3600	460	447/9TS	W634	449TSHFS9001	\$49,938	E9	96.2	382	3064	47.94	SL	
	1800	460	447/9T	W635	449THFS9036	\$41,174	E9	96.2	395	3350	51.84	RB, SL	

DEFINITE PURPOSE

Blue shaded areas are Cast Iron Frames

★ Stock Model

Catalog numbers (Cat No.) highlighted in bold blue have efficiency levels that meet or exceed U.S. EPA and/or NRCAN Canadian standards.

**Footnotes:**

- d To be discontinued after current stock is gone
- H Class H insulation
- RB Roller Bearing on shaft end for belted load only
- SL Sound level exceeds standards

# Automotive Duty, T-Frame, Ford EM-1

## Three Phase, Totally Enclosed, Rigid Base

**Applications:** For use in plants that require automotive approved motors. These motors are designed to meet the mechanical and electrical requirements of Ford EM-1 T-Frame specifications.

- Features:**
- Meets or exceeds NEMA Premium® efficiencies, except where noted
  - Blue Chip® quality, 100% cast iron construction for rigidity and reduced vibration
  - Provisions to add stub shaft for an encoder (182T-449T, TEFC only)
  - Internal and external epoxy paint
  - MAX GUARD® Class F insulation system
  - 1.15 Service Factor on sinewave, 1.0 Service Factor on IGBT power
  - Bearing caps (254T and larger)
  - Precision balanced
  - Extended grease tubes, regreasable in service
  - Brass drain and breather
  - Meets IEEE45 USCG Marine Duty, IP54 Construction
  - Meets Ford EM1 Automotive Duty Specification
  - Division 2 CSA certification nameplate, for hazardous locations, Class I, Groups A, B, C, and D
  - Actual test and vibration data supplied with each motor
  - Ball bearings, except where noted
  - UL Recognized (through 449T) CSA Certified
  - Three year warranty



**Available with Nameplate Modification (through 40 HP):**

- 2:1, 20:1, or 1000:1 Constant Torque, 1.0 Service Factor on IGBT (PWM) power
- 1.25 Service Factor through 40 HP (sinewave only)
- 50HZ at same HP, 1.0 Service Factor through 40 HP (sinewave only)
- Contact Marathon Electric for optional nameplate markings on 50 HP and larger

Suitable for use on VFD per guidelines on page 14.

HP	RPM	VOLTS	FRAME	CAT. NO.	MODEL NO.	LIST PRICE	MULT. SYMB.	NOM. EFF.	F.L. AMPS	APPROX. WGHT. LBS.	"C" DIM.	FOOT NOTES	C FACE KITS
<b>3/4</b>	1200	460	143T	E648 ★	143TTTN6576	\$561	E9	80.0	1.4	53	10.43	N,75,76	A603
	<b>1</b>	1800	460	143T	<b>E649</b> ★	143TTTN6526	\$458	E9	85.5	1.5	55	10.43	N,75,76
<b>1 1/2</b>	1200	460	145T	<b>E650</b> ★	145TTTN6576	\$576	E9	80.0	1.65	60	11.43	N,75,76	A655
	3600	460	143T	<b>E651</b> ★	143TTTN6501	\$573	E9	86.5	2.0	58	10.43	N,75,76	A603
	1800	460	145T	<b>E652</b> ★	145TTTN6526	\$497	E9	84.0	2.2	65	11.43	N,75,76	A655
<b>2</b>	1200	460	182T	<b>E632</b> ★	182TTTS6576	\$737	E9	87.5	2.2	100	12.71	N,75,76	A644
	3600	460	145T	<b>E653</b> ★	145TTTN6501	\$601	E9	85.5	2.5	68	11.43	N,75,76	A655
	1800	460	145T	<b>E654</b> ★	145TTTN6527	\$546	E9	85.5	3.0	68	11.43	N,75,76	A655
<b>3</b>	1200	460	184T	<b>E633</b> ★	184TTTS6576	\$911	E9	88.5	3.0	112	13.71	N,75	A644
	3600	460	182T	<b>E601</b> ★	182TTTS6501	\$825	E9	87.5	3.8	98	12.71	N,75	A644
	1800	460	182T	<b>E616</b> ★	182TTTS6526	\$740	E9	90.2	4.0	102	12.71	N,75	A644
<b>5</b>	1200	460	213T	<b>E634</b> ★	213TTFS6576	\$1,122	E9	89.5	4.4	176	18.22	75	A206
	3600	460	184T	<b>E602</b> ★	184TTFS6501	\$917	E9	89.5	5.9	142	16.19	75	A644
	1800	460	184T	<b>E617</b> ★	184TTFS6526	\$858	E9	90.2	6.2	130	16.19	75	A644
<b>7 1/2</b>	1200	460	215T	<b>E635</b> ★	215TTFS6576	\$1,378	E9	89.5	6.9	202	19.72	75	A206
	3600	460	213T	<b>E603</b> ★	213TTTS6501	\$1,108	E9	91.7	8.9	200	17.19	N,75	A206
	1800	460	213T	<b>E618</b> ★	213TTFS6526	\$1,051	E9	91.7	9.6	200	19.72	75	A206
<b>10</b>	1200	460	254T	<b>E636</b> ★	254TTFNA6576	\$1,786	E9	91.0	9.9	326	23.52	75	A284
	3600	460	215T	<b>E604</b> ★	215TTFS6501	\$1,293	E9	91.7	11.8	218	19.72	75	A206
	1800	460	215T	<b>E619</b> ★	215TTFS6526	\$1,266	E9	91.7	12.5	225	19.72	75	A206
<b>15</b>	1200	460	256T	<b>E637</b> ★	256TTFNA6576	\$2,182	E9	91.0	13.1	405	25.27	75	A284
	3600	460	254T	<b>E605</b> ★	254TTFNA6501	\$1,732	E9	91.7	17.5	345	23.52	75	A284
	1800	460	254T	<b>E620</b> ★	254TTFNA6526	\$1,626	E9	92.4	18.8	350	23.52	75	A284
	1200	460	284T	<b>E638</b> ★	284TTFNA6576	\$2,896	E9	91.7	20.4	479	26.34	75	A618

Blue shaded areas are Cast Iron Frames

★ Stock Model

Catalog numbers (Cat No.) highlighted in bold blue have efficiency levels that meet or exceed U.S. EPA and/or NRC Canadian standards.

**FOOTNOTES:**

- N Totally Enclosed, Non-ventilated
- 75 Addition of C Face Kits may result in non-NEMA "BA" dimension. For the resulting "BA" dimension consult chart found in modification section.
- 76 Addition of C Face Kits in non-NEMA "AH" dimension. "AH" is 2.12, "Rework "AH" is 2.38.

Continued on next page.

DEFINITE PURPOSE



# Automotive Duty, T-Frame, Ford EM-1

## Three Phase, Totally Enclosed, Rigid Base

HP	RPM	VOLTS	FRAME	CAT. NO.	MODEL NO.	LIST PRICE	MULT. SYMB.	NOM. EFF.	F.L. AMPS	APPROX. WGT. LBS.	"C" DIM.	FOOT NOTES	C FACE KITS
20	3600	460	256T	E606 ★	256TTFNA6501	\$2,146	E9	92.4	23.4	375	25.27	75	A284
	1800	460	256T	E621 ★	256TTFNA6526	\$2,026	E9	93.0	24.1	425	25.27	75	A284
	1200	460	286T	E639 ★	286TTFNA6576	\$3,528	E9	91.7	26.8	550	27.84		A618
25	3600	460	284TS	E607 ★	284TSTFNA6501	\$2,644	E9	93.6	28.1	481	24.97		A618
	1800	460	284T	E622 ★	284TTFNA6526	\$2,413	E9	93.6	31.0	478	26.34		A618
	1200	460	324T	E640 ★	324TTFS6576	\$4,276	E9	93.0	32.5	675	28.87		A214
30	3600	460	286TS	E608 ★	286TSTFNA6501	\$3,087	E9	93.6	34.1	500	26.47		A618
	1800	460	286T	E623 ★	286TTFNA6526	\$2,805	E9	94.1	36.5	525	27.84		A618
	1200	460	326T	E641 ★	326TTFS6576	\$4,926	E9	93.0	38.5	725	30.37		A214
40	3600	460	324TS	E609 ★	324TSTFS6501	\$4,072	E9	93.6	47.0	656	27.37		A214
	1800	460	324T	E624 ★	324TTFS6526	\$3,726	E9	94.1	47.5	700	30.37		A214
	1200	460	364T	E642 ★	364TTFS6586	\$6,675	E9	94.1	50.0	950	31.50		A395
50	3600	460	326TS	E610 ★	326TSTFS6501	\$5,268	E9	93.6	58.0	725	28.87		A214
	1800	460	326T	E625 ★	326TTFS6526	\$4,576	E9	94.5	60.0	775	31.87		A214
	1800	460	326TS	E453 ★	326TSTFS6536	\$4,576	E9	94.5	60.0	775	28.87		A214
	1200	460	365T	E643 ★	365TTFS6586	\$7,666	E9	93.6	61.5	955	32.50		A395
60	3600	460	364TS	E611 ★	364TSTFS6501	\$6,929	E9	94.5	67.0	954	29.38		A396
	1800	460	364T	E626 ★	364TTFS6536	\$6,565	E9	95.0	69.0	980	31.50		A395
	1800	460	364TS	E454 ★	364TSTFS6526	\$6,565	E9	95.0	69.0	980	29.38		A396
	1200	460	404T	E644 ★	404TTFS6586	\$8,982	E9	94.5	72.0	1156	35.62		A223
75	3600	460	365TS	E612 ★	365TSTFS6501	\$8,702	E9	94.5	84.0	1002	30.38		A396
	1800	460	365T	E627 ★	365TTFS6536	\$8,322	E9	95.4	86.0	1100	32.50		A395
	1800	460	365TS	E455 ★	365TSTFS6526	\$8,322	E9	95.4	86.0	1100	30.38		A396
	1200	460	405T	E645 ★	405TTFS6586	\$10,574	E9	94.5	90.0	1280	37.12		A223
100	3600	460	405TS	E613 ★	405TSTFS6501	\$11,660	E9	95.0	108	1295	34.12		A226
	1800	460	405T	E628 ★	405TTFS6536	\$10,282	E9	95.4	113	1330	37.12		A223
	1800	460	405TS	E456 ★	405TSTFS6526	\$10,282	E9	95.4	113	1330	34.12		A226
	1200	460	444T	E646 ★	444TTFS6586	\$14,451	E9	94.5	119	1690	41.25	d	A229
125	3600	460	444TS	E614 ★	444TSTFS6501	\$15,243	E9	95.4	136	1725	37.50		A232
	1800	460	444T	E629 ★	444TTFS6536	\$13,535	E9	95.4	141	1725	41.25		A229
	1800	460	444TS	E457 ★	444TSTFS6526	\$13,535	E9	95.4	141	1725	37.50		A232
	1200	460	445T	E647 ★	445TTFN6586	\$17,750	E9	95.0	155	2000	43.26		A620
150	3600	460	445TS	E615 ★	445TSTFN6501	\$18,311	E9	95.8	165	2187	39.44		A621
	1800	460	445T	E630 ★	445TTFN6536	\$15,736	E9	95.8	172	2070	43.26		A620
	1800	460	445TS	E458 ★	445TSTFN6526	\$15,736	E9	95.8	172	2070	39.44		A621
	1200	460	445T	E448 ★	445TTFN6587	\$19,859	E9	95.8	180	2500	43.26	H, RB	N/A
200	3600	460	445TS	E449 ★	445TSTFN6505	\$23,164	E9	95.8	222	2300	39.44	H	A621
	1800	460	445T	E631 ★	445TTFN6538	\$19,138	E9	96.2	226	2437	43.26	RB	N/A
	1800	460	445TS	E459 ★	445TSTFN6528	\$19,138	E9	96.2	226	2437	39.44	H	A621
	1800	460	447/9T	E854 ★	449TTFS6540	\$22,009	E9	96.5	225	2700	51.69	H, RB	N/A
	1200	460	447/9T	E773 ★	449TTFS6578	\$24,311	E9	95.8	240	2927	51.69	H	A623
	1200	460	447/9T	E687 ★	449TTFS6588	\$24,311	E9	95.8	240	2927	51.69	H, RB	N/A
250	3600	460	447/9TS	E699	449TSTFS6503	\$29,214	E9	96.5	274	2700	47.88	H	A624
	1800	460	445T	E450 ★	445TTFN6540	\$24,011	E9	95.8	285	2450	43.26	H, RB	N/A
	1800	460	447/9T	E771 ★	449TTFS6528	\$27,612	E9	96.5	285	2830	51.69	H	A623
	1800	460	447/9T	E690 ★	449TTFS6538	\$27,612	E9	96.5	285	2830	51.69	H, RB	N/A
	1200	460	447/9T	E774	449TTFS6577	\$27,946	E9	95.8	300	3415	51.69	H	A623
300	3600	460	447/9TS	E698	449TSTFS6502	\$37,866	E9	96.2	330	2700	47.88	H	A626
	1800	460	447/9T	E691 ★	449TTFS6537	\$27,438	E9	96.5	339	3211	51.69	H, RB	N/A
350	3600	460	447/9TS	E769	449TSTFS6501	\$43,424	E9	96.2	382	3064	47.88	H	A624
	1800	460	447/9T	E692 ★	449TTFS6536	\$35,804	E9	96.2	395	3350	51.69	H, RB	N/A
400	1800	460	447/9T	E776	449TTFS16553	\$36,759	E9	96.2	448	3800	56.71	H, 79	N/A
450	1800	460	447/9T	E777	-----	\$37,584	E9	96.5	515	3800	56.71	H, 79	N/A

DEFINITE PURPOSE

Blue shaded areas are Cast Iron Frames

★ Stock Model

**Footnotes:**

d To be discontinued after current stock is gone  
 H Class H insulation

RB Roller bearing on shaft end for belted loads only  
 79 Ball brgs on both ends suitable for direct connection.  
 For belted applications, refer to marketing



# Blue Chip® Crusher (Aggregate Duty)

Totally Enclosed, Rigid Base, NEMA Design C

**Applications:** Specifically designed for the aggregate industry crusher applications such as cone, jaw, and roller type impactors, pulverizers, etc.

- Features:**
- Blue Chip® quality, 100% cast iron construction for rigidity and reduced vibration
  - NEMA Design C
  - 4140 Shaft Material
  - Roller Bearing on Drive End for belted loads
  - 1.15 Service Factor
  - 80° C rise at rated load
  - Class F insulation
  - Inpro® Smart Ring, rotating shaft seals on each end of shaft
  - Internal and external epoxy paint
  - Brass drain and breather
  - Actual test and vibration data supplied with each motor



**IP55**

HP	RPM	VOLTS	FRAME	CAT. NO.	MODEL NO.	LIST PRICE	MULT. SYMB.	NOM. EFF.	F.L. AMPS	APPROX. WGT. LBS.	"C" DIM.	FOOT NOTES
100	1800	460	405T	Y822★	405TTFS8857	\$5,630	E4	93.6	117	1318	37.12	d
125	1800	460	444T	Y824★	444TTFS8841	\$7,643	E4	94.5	142	1695	41.25	d, YD
150	1800	460	445T	Y826★	445TTFS8870	\$8,380	E4	94.1	174	1990	43.25	d
200	1200	460	449T	Y855★	449TTFS8576	\$12,513	E4	94.5	245	3098	51.69	d, YD
250	1200	460	449T	Y857	449TTFS8581	\$16,700	E4	95.4	304	3242	51.69	d, YD

Blue shaded areas are Cast Iron Frames

★ **Stock Model**

**Footnotes:**

- d To be discontinued after current stock is gone
- YD 12 Leads for Wye Delta, part winding, or across the line starting

# Design C, Three Phase

## Totally Enclosed, Rigid Base



**Applications:** Agitators, conveyors, crushers, pumps, and other applications where high starting torque or starting under load is required and economical cost is desired. Additional NEMA Design C ratings are available by special order, contact Marathon Electric for more information.

- Features:**
- Ball bearings
  - NEMA Design C performance with greater starting torque vs. Design B
  - Normal starting current and less than 5% slip, same as NEMA Design B motors
  - EPAct exempt with standard, pre-EPAct efficiencies
  - Accept C-Face kits, see Accessories section
  - 1.15 Service Factor
  - UL Recognized and CSA Certified

HP	RPM	VOLTS	FRAME	CAT. NO.	MODEL NO.	LIST PRICE	MULT. SYMB.	NOM. EFF.	F.L. AMPS	APPROX. WGT. LBS.	"C" DIM.	FOOT NOTES
3	1800	208-230/460	182T	H710★	182TTFR7726	\$448	E6	82.5	9.0-8.4/4.2	62	14.97	d,C,20
5	1800	208-230/460	184T	L909★	184TTFR9339	\$521	E6	84.0	14.8-13.6/6.8	92	16.47	d,C,20
7 1/2	1800	208-230/460	213T	L910★	213TTFW7326	\$748	E6	86.5	21.9-21.0/10.5	103	18.73	d,C,20
10	1800	208-230/460	215T	L911★	215TTFW7326	\$929	E6	87.5	28.9-26.0/13.0	123	20.23	d,C,20
15	1800	208-230/460	254T	L912	254TTFL17038	\$1,227	E6	88.5	42.0-39.0/19.5	178	22.99	AL,C,20
20	1800	208-230/460	256T	L913	256TTFL17036	\$1,551	E6	88.5	56.0-52.0/26.0	200	24.74	AL,C,20

★ Stock Model

# Air Compressor, Single Phase

## Drip-proof, Rigid Base



**Applications:** For use in compressors, pumps, pressure washers, and other applications requiring high starting and breakdown torques and used in relatively clean and dry environments. For additional ratings suitable for air compressor applications see the General Purpose Single Phase or General Purpose Three Phase sections.

- Features:**
- Capacitor start and capacitor start/capacitor run designs for reduced amperage and high starting and breakdown torque
  - Heavy gauge steel frame and base
  - Ball bearings
  - Continuous duty at nameplated horsepower, not "special" or "compressor" duty
  - Manual reset thermal protectors, as noted
  - UL Recognized and CSA Certified

HP	RPM	VOLTS	FRAME	OVER LOAD	CAT. NO.	MODEL NO.	LIST PRICE	MULT. SYMB.	F.L. AMPS	APPROX. WGT. LBS.	"C" DIM.	FOOT NOTES
1/2	3600	115/208-230	56	MANUAL	D014	56C34D2107	\$201	F1	8.4/3.8-4.2	18	10.72	2
	1800	115/208-230	56	MANUAL	G912★	56C17D2013	\$266	F1	8.6/4.1-4.3	23	11.72	2
3/4	3600	115/208-230	56	MANUAL	D015	56C34D2094	\$233	F1	9.8/4.8-4.9	19	10.97	2
	1800	115/208-230	56	MANUAL	K016★	56B17D56	\$324	F1	11.0/5.5	25	11.47	1
1	3600	115/208-230	56	MANUAL	D010★	56B34D2029	\$267	F1	10.6/5.5-5.3	23	11.72	1
	1800	115/208-230	56	MANUAL	G936★	56C17D5305	\$353	F1	13.4/6.8-6.7	29	11.44	2,7
1 1/2	3600	115/208-230	56	MANUAL	D018★	56B34D133	\$345	F1	14.8/8.0-7.4	26	11.72	1
	1800	115/208-230	56H	MANUAL	G951★	56C17D5308	\$414	F1	18.0/9.3-9.0	40	12.44	2,5,7
2	3600	115/208-230	56H	MANUAL	D012★	56B34D5318	\$432	F1	19.2/10.5-9.6	35	11.53	1,5,7
	1800	115/208-230	145T	MANUAL	I127★	145TBDR5337	\$497	S1	18.8/10.2-9.4	50	13.49	1,7

★ Stock Model

**Footnotes:**

- d To be discontinued after current stock is gone
- AL Aluminum Frame Construction
- C NEMA design C torques
- 1 Capacitor Start/Capacitor Run design for reduced amperage
- 2 Capacitor Start Induction Run design
- 5 56H, 143T, and 145T Combination Base with 12 mounting holes
- 7 Will accept C-Face kit, see Accessory Section
- 20 Rated 60/50 hertz, 190/380 or 380 volt at next lower horsepower

Continued on next page.

# Air Compressor, Single Phase

Drip-proof, Rigid Base

HP	RPM	VOLTS	FRAME	OVER LOAD	CAT. NO.	MODEL NO.	LIST PRICE	MULT. SYMB.	F.L. AMPS	APPROX. WGT. LBS.	"C" DIM.	FOOT NOTES
<b>3</b>	3600	230	56H	MANUAL	D013★	56B34D5332	\$563	F1	14.0	34	11.44	1,5
	1800	230	184T	NONE	Z502★	184TBDR5326	\$520	S1	12.6	55	14.27	1
<b>5</b>	3600	230	184T	NONE	Z504	184TBDR5301	\$730	S1	20.0	62	14.77	1
	3600	230	56H	MANUAL	D017★	56B34D5302	\$599	F1	20.0	55	13.94	1,5
	1800	208-230	184T	MANUAL	I119★	184TBDR7375	\$829	S1	25.0-24.1	83	16.22	1
	1800	208-230	184T	NONE	I114★	184TBDR7026	\$488	S1	23.0-21.0	102	15.70	1
	1800	208-230	184T	NONE	Z506★	184TBDR7656	\$625	S1	23.6-21.5	85	15.22	d,1,CF
<b>7 1/2</b>	3600	208-230	184T	NONE	I108★	184TBDR7001	\$720	S1	34.3-31.0	110	16.69	1,CF
	3600	208-230	213T	NONE	I105★	213TCDW7001	\$974	S1	40.0-37.0	102	16.55	2
	1800	208-230	215T	NONE	I115★	215TBDW7026	\$961	S1	37.2-34.5	118	18.05	1
<b>10</b>	1800	208-230	215T	NONE	I116★	215TBDW7028	\$1,237	S1	49.0-44.0	140	19.3	1

★ Stock Model

## Agriculture Fan, Single Phase, Belt Drive

Totally Enclosed, Air Over, Rigid Base

**Applications:** Designed for demanding agricultural belt drive fan applications such as poultry house fans and barn exhaust fans. **Catalog X912 is Totally Enclosed Air Over and must be mounted within the airstream for proper cooling.**

- Features:**
- Capacitor start/capacitor run design for higher efficiency
  - Ball bearings
  - Continuous duty
  - Automatic reset thermal protector
  - Fully gasketed



HP	RPM	VOLTS	FRAME	CAT. NO.	MODEL NO.	LIST PRICE	MULT. SYMB.	F.L. AMPS	APPROX. WGT. LBS.	"C" DIM.	FOOT NOTES
<b>1/2</b>	1725	115/230	56	X913★	56B17T20	\$284	F1	4.6/2.3	20	10.47	1
<b>1</b>	1725	115/230	56	X912★	56B17T5303	\$371	F1	9.2/4.6	32	11.44	1

★ Stock Model

## Agriculture Fan, Single Phase, PSC Variable Speed

Totally Enclosed-Air Over, Resilient Base-Thru Bolt

**Applications:** Designed for demanding agricultural fan applications such as poultry houses and barn exhaust fans. Must be mounted within the airstream for proper cooling. Variable speed capabilities when used with a single phase speed control unit—NOT supplied by Marathon Electric. Super Variable speed motors, catalog X030, X031, and X032, are designed for lower temperature rise throughout a greater speed range.

- Features:**
- Ball bearings
  - Extended thru-bolts
  - Fully gasketed
  - Continuous duty
  - Automatic reset thermal protector
  - 1/2" dia. x 2-1/2" long shaft with two flats, 90° apart
  - 48Y & 48YZ have 48/56 Fr. mounting holes



HP	RPM	VOLTS	FRAME	CAT. NO.	MODEL NO.	LIST PRICE	MULT. SYMB.	F.L. AMPS	APPROX. WGT. LBS.	"C" DIM.	FOOT NOTES
<b>1/4</b>	1625	115/230	48YZ	X030★	48A17T118	\$203	F1	3.6/1.8	20	11.06	
	1625	115/230	48YZ	X024★	48A17T2002	\$166	F1	3.2/1.6	19	10.09	
	1075	115/230	48YZ	X027★	48A11T2021	\$180	F1	3.2/1.6	14	10.09	
<b>1/3</b>	1625	115/230	48YZ	X031★	48A17T237	\$224	F1	3.8/1.9	23	11.81	
	1625	115/230	48YZ	X025★	48A17T2003	\$184	F1	4.4/2.2	17	10.09	
	1075	115/230	48YZ	X028★	48A11T2022	\$195	F1	4.2/2.1	15	10.84	
<b>1/2</b>	1625	115/230	48YZ	X032★	48A17T119	\$247	F1	5.4/2.7	23	11.81	
	1625	115/230	48YZ	X026★	48A17T2004	\$200	F1	6.0/3.0	21	10.84	
	1075	115/230	48YZ	X029★	48A11T2023	\$209	F1	6.4/3.2	19	10.84	

★ Stock Model

**Footnotes:**

- d To be discontinued when current stock is gone
- CF Consult Factory for Accessory Kit and/or Modification Selection
- 1 Capacitor Start/Capacitor Run design for reduced amperage
- 2 Capacitor Start Induction Run design1
- 5 56H, 143T, and 145T Combination Base with 12 mounting holes

SB300 – Prices and Specifications are subject to change without notice.

# Agriculture Fan, Single Phase

## Totally Enclosed, Direct Drive-Thru Bolt



**Applications:** Designed for demanding, direct drive agricultural fan applications such as poultry house fans and barn exhaust fans.

- Features:**
- Economical split phase design
  - Continuous duty
  - 1/2" Extended thru-bolts
  - 1/2" diameter x 1.5" long shaft with flat
  - Ball bearings
  - Manual reset thermal protector
  - Fully gasketed

HP	RPM	VOLTS	FRAME	CAT. NO.	MODEL NO.	LIST PRICE	MULT. SYMB.	F.L. AMPS	APPROX. WGT. LBS.	"C" DIM.	FOOT NOTES
1/4	1725	115	48Y	X909 *	48S17T2004	\$145	F1	4.0	10	7.62	3

★ Stock Model

# Agriculture Fan, Single Phase, Single Speed

## Totally Enclosed-Air Over, Resilient Base-Thru Bolt



**Applications:** Designed for demanding agricultural fan applications such as poultry house fans and barn exhaust fans. Must be mounted within the airstream for proper cooling.

- Features:**
- Economical split phase, single speed design
  - Ball bearings
  - Continuous duty
  - Automatic reset thermal protector
  - Extended thru-bolts on X903 and X904
  - Fully gasketed
  - 48Z Frame has 1/2" dia. x 2-1/2" long shaft with two flats
  - 56Z Frame has 1/2" dia. x 1-7/8" long with 1-5/8" flat
  - 48Y & 48YZ have 48/56 Fr. mounting holes

HP	RPM	VOLTS	FRAME	CAT. NO.	MODEL NO.	LIST PRICE	MULT. SYMB.	F.L. AMPS	APPROX. WGT. LBS.	"C" DIM.	FOOT NOTES
1/4	1725	115	48YZ	X903 *	48S17T2001	\$147	F1	3.5	18	11.34	3,53
1/3	1725	115	48YZ	X904 *	48S17T2000	\$166	F1	4.5	21	11.34	3,53
1/2	1725	115/230	56Z	X900 *	56S17T2002	\$225	F1	6.6/3.3	24	10.72	3,53
3/4	1725	115/230	56	X905	56C17T5301	\$291	F1	11.0/5.5	28	11.35	2
1	1725	115/230	56	X906	56C17T5302	\$341	F1	13.4/6.7	30	11.85	2
1 1/2	1725	115/208-230	56H	X908	56B17T5302	\$401	F1	13.6/7.5-6.8	43	12.85	1,5

★ Stock Model

# Agriculture Fan, Single Phase, Two Speed

## Totally Enclosed-Air Over, Direct Drive-Thru Bolt



**Applications:** Designed for demanding, direct drive agricultural fan applications such as poultry house fans and barn exhaust fans where two speeds are desired. Must be mounted within the airstream for proper cooling.

- Features:**
- Economical split phase, two-speed design
  - Ball bearings
  - Continuous duty
  - Automatic reset thermal protector
  - Extended thru-bolts
  - Fully gasketed
  - 1/2" dia. x 2-1/2" long shaft with two flats, 90 degrees apart

HP	RPM	VOLTS	FRAME	CAT. NO.	MODEL NO.	LIST PRICE	MULT. SYMB.	F.L. AMPS	APPROX. WGT. LBS.	"C" DIM.	FOOT NOTES
1/4	1725/1140	115	48YZ	X910 *	48S17T366	\$188	F1	4.1/2.5	17	11.09	3
1/3	1725/1140	115	48YZ	X911 *	48S17T365	\$236	F1	5.3/2.9	18	11.34	3

★ Stock Model

**Footnotes:**

- |   |   |    |   |
|---|---|----|---|
| 1 | Capacitor Start/Capacitor Run design for reduced amperage | 3  | Split Phase design  |
| 2 | Capacitor Start Induction Run design                      | 5  | 56H, 143T, and 145T Combination Base with 12 mounting holes |
|   |   | 53 | Includes 5/8" dia. shaft adapter sleeve with key            |

# Crop Dryer, Single Phase

## DripProof/Air Over, Rigid Base

**Applications:** Crop dryers with air over/fan on shaft designs.

- Features:**
- Double sealed ball bearings
  - Continuous duty
  - Class F insulation system
  - Epoxy coated rotor
  - Thermostats for thermal overload protection (auto reset protector on Z304)
  - 40" long leads for ease of installation
  - Keyed shafts with 1/4"-20 UNC tapped hole in end
  - Frame mounted capacitors on catalog Z304, Z305, Z306, Z309, Z313, Z314, and Z315
  - Capacitors included, shipped loose on catalog Z307 and Z308
  - Special rotor balance for reduced vibration
  - Extra nameplate included, loose, for remote mounting
  - See dimensions section for typical outline drawing

HP	RPM	VOLTS	FRAME	OVER LOAD	CAT. NO.	MODEL NO.	LIST PRICE	MULT. SYMB.	F.L. AMPS	APPROX. WGT. LBS.	"C" DIM.	FOOT NOTES
<b>3-4.5</b>	3600	230	145TZ	AUTO	Z304★	145TBDR5309	\$568	S1	13.0-19.0	44	13.74	1
<b>3-5</b>	3600	230	182TZ	TSTAT	Z309	182TCDR7013	\$683	S1	15.8-25.3	67	15.00	2
<b>5-7</b>	3600	230	184TZ	TSTAT	Z305★	184TCDR7615	\$832	S1	27.0-36.3	73	14.50	2
<b>7-10</b>	3600	230	184TZ	TSTAT	Z307★	184TBDR7009	\$1,047	S1	28.0-42.0	95	16.00	1
<b>7.5-10</b>	3600	230	184TZ	TSTAT	Z313	184TBDR7324	\$1,047	S1	30.0-42.0	89	16.43	1
<b>7.5-10.5</b>	3600	230	215TZ	TSTAT	Z314	215TCDW7012	\$1,224	S1	37.0-49.5	139	19.16	2
<b>7-9</b>	3600	230	184TZ	TSTAT	Z306★	184TCDR7617	\$939	S1	36.0-45.0	85	15.50	2
<b>10-15</b>	3600	230	215TZ	TSTAT	Z315	215TBDW7013	\$1,409	S1	39.5-61.5	159	20.42	1
	3600	230	215TZ	TSTAT	Z308★	215TCDW7003	\$1,409	S1	46.0-71.0	135	18.16	2

★ Stock Model

# Crop Dryer, Three Phase

## DripProof/Air Over, Rigid Base

**Applications:** Crop dryers with air over/fan on shaft designs where three phase power is available.

- Features:**
- Ball bearings
  - Thermostats for thermal overload protection
  - 30" long leads exit elbow connector in bracket
  - Keyed shafts with 1/4"-20 UNC tapped hole in end
  - Extra nameplate included, loose, for remote mounting
  - See dimension section for typical outline drawing
  - Continuous duty
  - Class F insulation
  - Epoxy coated rotor
  - Special rotor balance for reduced vibration

HP	RPM	VOLTS	FRAME	CAT. NO.	MODEL NO.	LIST PRICE	MULT. SYMB.	F.L. AMPS	APPROX. WGT. LBS.	"C" DIM.	FOOT NOTES
<b>3-3.9</b>	3600	208-220/440	182TZ	Y301	-----	\$655	E6	8.6-8.4/4.2	70	13.71	
<b>5-7</b>	3600	208-220/440	184TZ	Y302★	184TTDR7611	\$697	E6	17-17/8.5	67	13.71	
<b>7-10</b>	3600	208-220/440	184TZ	Y303★	184TTDR7612	\$739	E6	28.0-27.0/13.5	73	14.22	
<b>10-15</b>	3600	208-220/440	215TZ	Y304★	215TTDW7301	\$975	E6	28-26.1/13.1	95	17.41	

★ Stock Model

**Footnotes:**

- 1 Capacitor Start/Capacitor Run design for reduced amperage
- 2 Capacitor Start Induction Run design



## Farm Duty/Agriculture, High Torque

### Single Phase, Totally Enclosed Fan Cooled, Rigid Base



**Applications:** Feeders, conveyors, fans, compressors, spray washers, grinders, elevators, pumps, and other demanding agricultural applications that require high starting torques.

- Features:**
- Ball bearings
  - 1.15 Service Factor
  - Manual reset thermal protector
  - Low temperature manual reset thermal protector
  - Totally enclosed and fully gasketed construction for dirty environments
  - Condensate drains
  - Shaft slinger
  - UL Recognized and CSA Certified

HP	RPM	VOLTS	FRAME	CAT. NO.	MODEL NO.	LIST PRICE	MULT. SYMB.	F.L. AMPS	APPROX. WGT. LBS.	"C" DIM.	FOOT NOTES
1/3	1800	115/208-230	56	F101 ★	56C17F5324	\$266	F1	6.6/3.1-3.3	24	11.82	2
1/2	1800	115/208-230	56	F102 ★	56C17F5325	\$304	F1	8.8/4.2-4.4	25	11.82	2
3/4	1800	115/208-230	56	F103 ★	56C17F5326	\$363	F1	11.0/5.4-5.5	29	12.32	2
1	1800	115/208-230	143T	Z123 ★	143TCFR5328	\$420	S1	13.4/6.8-6.7	33	12.87	2
	1800	115/208-230	56	F104 ★	56C17F5327	\$395	F1	13.4/6.8-6.7	32	12.82	2
1 1/2	1800	115/208-230	145T	Z118 ★	145TBFR5328	\$495	S1	15.2/8.2-7.6	42	13.87	1
	1800	115/208-230	56H	F105 ★	56B17F5307	\$486	F1	15.2/8.2-7.6	41	13.82	1,5
2	1800	115/230	145T	Z128 ★	145TBFR5341	\$550	S1	18.8/9.4	50	14.87	1
	1800	115/230	182T	Z119 ★	182TCFR7072	\$599	S1	26.8/13.4	64	15.53	2
3	1800	230	184T	Z120 ★	184TCFR7061	\$746	S1	17.0	92	18.03	2
5	1800	230	184T	Z121 ★	184TBFR7737	\$908	S1	20.2	99	18.06	1
7 1/2	1800	230	215T	Z122 ★	215TBFW7029	\$1,347	S1	30.0	138	21.48	1

★ Stock Model

## Farm Duty/Agriculture, High Torque

### Single Phase, Totally Enclosed Fan Cooled, C-Face, Rigid Base



**Applications:** Feeders, conveyors, fans, compressors, spray washers, grinders, elevators, pumps, and other demanding agricultural applications that require high starting torques.

- Features:**
- Ball bearings
  - 1.15 Service Factor
  - Manual reset thermal protector
  - Low temperature manual reset thermal protector
  - Totally enclosed and fully gasketed construction for dirty environments
  - Condensate drains
  - Shaft slinger
  - UL Recognized and CSA Certified
  - Made in the U.S.A.

HP	RPM	VOLTS	FRAME	CAT. NO.	MODEL NO.	LIST PRICE	MULT. SYMB.	F.L. AMPS	APPROX. WGT. LBS.	"C" DIM.	FOOT NOTES
1/3	1800	115/208-230	56C	F131★	56C17F5358	\$325	F1	6.6/3.1-3.3	24	11.82	2
1/2	1800	115/208-230	56C	F132★	56C17F5912	\$363	F1	8.8/4.2-4.4	25	11.82	2
3/4	1800	115/208-230	56C	F133★	56C17F5913	\$422	F1	11/5.4-5.5	29	12.32	2
1	1800	115/208-230	56C	F134★	56C17F5914	\$454	F1	13.4/6.8-6.7	35	12.82	2
1 1/2	1800	115/208-230	56HC	F135★	56B17F5584	\$545	F1	15.2/8.2-7.6	41	13.82	1,5
2	1800	115/230	56HC	K319★	56B17F5319	\$559	F1	18.8/9.4	53	14.82	1,5
3	1800	230	184TC	I314★	184TBFR7041	\$838	S1	13.7	104	17.61	1
5	1800	230	184TC	I315★	184TBFR7034	\$1,000	S1	21.0	98	18.72	1

★ Stock Model

**Footnotes:**

- 1 Capacitor Start/Capacitor Run design for reduced amperage
- 2 Capacitor Start Induction Run design
- 5 56H, 143T, and 145T Combination Base with 12 mounting holes

# Farm Duty/Agriculture, Extra-High Torque Chore Motor®

Single Phase, Totally Enclosed Fan Cooled, Rigid Base

**Applications:** Silo unloaders, barn cleaners, bunk feeders, conveyors, and other machinery requiring extra-high starting torque in demanding farm duty environments.

- Features:**
- Class F insulation
  - 1.15 Service Factor
  - 300% and greater starting torque for hard-to-start applications
  - Totally enclosed and fully gasketed for dirty environments
  - 213TZ/215TZ models have 1-1/8" shaft, 182TZ model has 7/8" shaft
  - See dimension section for typical outline drawing
  - Manual reset thermal protector
  - Condensate drains
  - Shaft slinger



HP	RPM	VOLTS	FRAME	BRGS.	CAT. NO.	MODEL NO.	LIST PRICE	MULT. SYMB.	F.L. AMPS	APPROX. WGT. LBS.	"C" DIM.	FOOT NOTES
<b>2</b>	1800	115/230	182TZ	BALL	Z112★	182TCFR9061	\$634	S1	25.6/12.8	63	15.31	CF,2
<b>3</b>	1800	230	184T	BALL	Z113★	184TCFR9057	\$789	S1	18.0	83	16.81	CF,2
<b>5</b>	1800	208-230	184T	BALL	Z114★	184TBFR7070	\$962	S1	24.0-22.5	97	17.36	1
	1800	230	213TZ	BALL	Z117★	213TBFW7027	\$1,070	S1	23.0	119	18.73	1
<b>7 1/2</b>	1800	230	215TZ	BALL	Z115★	215TBFW7028	\$1,428	S1	32.0	142	21.48	1
<b>10</b>	1800	230	215T	BALL	Z116★	215TBFW7044	\$1,778	S1	40.0	148	21.48	1,17

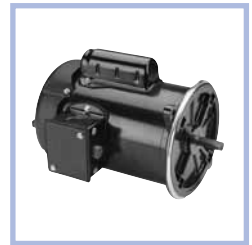
★ Stock Model

## Auger Drive, Single Phase

Totally Enclosed Fan Cooled, 56N Flange Mount

**Applications:** Replacement motors for poultry feed auger drive systems bolt to existing gearbox for easy installation.

- Features:**
- NEMA 56N, two bolt flange mounting
  - Fully gasketed, side mount conduit box
  - Extended fan-end shaft with flats for manual jogging auger drive
  - Mechanical start switch protected from overspeeded auger drive
  - Catalog Nos. F201, F202, & F203 have 1/2" dia. X 1 1/2" long shaft with flat
  - Catalog Nos. F204 & F205 have 5/8" dia. x 2" long shaft with key
  - See dimension section for typical outline drawing
  - Manual reset thermal protector



HP	RPM	VOLTS	FRAME	BRGS.	CAT. NO.	MODEL NO.	LIST PRICE	MULT. SYMB.	F.L. AMPS	APPROX. WGT. LBS.	"C" DIM.	FOOT NOTES
<b>1/3</b>	1800	115/230	48N	BALL	F201★	48C17F2000	\$286	F1	5.0/2.5	13	11.31	2
<b>1/2</b>	1800	115/208-230	48N	BALL	F202★	48C17F2001	\$314	F1	6.8/3.7-3.4	25	11.81	2
<b>3/4</b>	1800	115/208-230	56NZ	BALL	F203★	56C17F5356	\$371	F1	11.0/5.4-5.5	34	12.58	2
<b>1</b>	1800	115/208-230	56NZ	BALL	F204★	56C17F5357	\$416	F1	13.4/6.8-6.7	34	13.38	2
<b>1 1/2</b>	1800	115/208-230	56NZ	BALL	F205★	56B17F5331	\$501	F1	15.2/8.2-7.6	44	14.38	1

★ Stock Model

## Grain Stirring, Single Phase

Totally Enclosed Fan Cooled, Rigid Base

**Applications:** Definite purpose for grain stirring systems inside grain bins.

- Features:**
- 1.15 Service Factor
  - Fully gasketed construction to keep grain dust out
  - 7/8" diameter shaft
  - Fan/Fan guard on shaft end keeps grain dust out of motor
  - Durable powder coat paint
  - Manual reset thermal protector



HP	RPM	VOLTS	FRAME	BRGS.	CAT. NO.	MODEL NO.	LIST PRICE	MULT. SYMB.	F.L. AMPS	APPROX. WGT. LBS.	"C" DIM.	FOOT NOTES
<b>1 1/2</b>	1800	115/208-230	56HZ	BALL	X902★	56B17F5324	\$425	F1	15.2/8.2-7.6	46	13.21	1,5

★ Stock Model

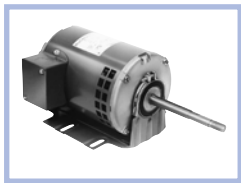
**Footnotes:**

- |  |   |
|--|---|
| CF Consult Factory for Accessory Kit and/or Modification Selection | 2 Capacitor Start Induction Run design                        |
| 1 Capacitor Start/Capacitor Run design for reduced amperage        | 5 56H, 143T, and 145T Combination Base with 12 mounting holes |
|  | 17 1.0 Service Factor   |

DEFINITE PURPOSE

# Commercial Laundry Dryer

## Single Phase, Dripproof, Resilient Base



**Applications:** Commercial laundry dryer motors.

- Features:**
- Replaces Huebsch commercial laundry dryer motors
  - Automatic reset thermal protection
  - Special threaded shaft extension
  - X602 has 3/4" shaft adapter included
  - Ball bearings
  - 48YZ have 48/56 Fr. mounting holes

HP	RPM	VOLTS	FRAME	CAT. NO.	MODEL NO.	LIST PRICE	MULT. SYMB.	F.L. AMPS	APPROX. WGT. LBS.	"C" DIM.	FOOT NOTES
1/4	1725	100-120/200-240	48YZ	X600	48C17D2057	\$222	F1	5.4-6.6/2.7-3.3	18	12.02	16,68
1/3	1725	115/208-230	56Z	X601 *	56C17D2101	\$263	F1	5.8/2.8-2.9	19	14.41	16
1/2	1725	115/208-230	56Z	X602 *	56C17D2102	\$324	F1	8.0/4.0-4.0	23	15.41	16
3/4	1725	115/208-230	56Z	X603 *	56C17D5346	\$408	F1	12.0/5.8-6.0	25	15.10	16

\* Stock Model

# Commercial Laundry Dryer

## Three Phase, Dripproof, Resilient Base or Rigid Base

**Applications:** Commercial laundry dryer motors.

- Features:**
- Replaces Huebsch commercial laundry dryer motors
  - Automatic reset thermal protection
  - Special threaded shaft extension on X605
  - Ball bearings
  - 48YZ have 48/56 Fr. mounting holes

HP	RPM	VOLTS	FRAME	CAT. NO.	MODEL NO.	LIST PRICE	MULT. SYMB.	F.L. AMPS	APPROX. WGT. LBS.	"C" DIM.	FOOT NOTES
1/4	1725	200-240/460-480	48YZ	X605 *	48T17D2002	\$249	F1	1.3-1.8/0.8-0.9	17	12.02	d,12,68
1/3	1725	230/460	56	X606 *	56T17D3318	\$289	F1	1.6/0.8	22	10.35	d,68
1/2	1725	230/460	56Z	X607	56T17D3320	\$347	F1	1.7/0.85	28	15.10	68
3/4	1725	230/460	56Z	X608	56T17D3319	\$421	F1	2.4/1.2	29	15.60	68
	1140	208-203/460	56	X609	56T11D5317	\$539	F1	3.1-3.1/1.55	29	11.44	12

\* Stock Model

# Commercial Laundry Dryer

## Three Phase, Dripproof, C-Face

**Applications:** Commercial laundry dryer motors.

- Features:**
- Replaces Huebsch commercial laundry dryer motors
  - Automatic reset thermal protection
  - Special threaded shaft extension
  - Ball bearings

HP	RPM	VOLTS	FRAME	CAT. NO.	MODEL NO.	LIST PRICE	MULT. SYMB.	F.L. AMPS	APPROX. WGT. LBS.	"C" DIM.	FOOT NOTES
1/4	3450	200-240/460-480	56CZ	X610 *	56T34D5375	\$230	F1	1.4-1.8/0.8-0.9	21	11.80	d,68

\* Stock Model

**Footnotes:**

- d To be discontinued after current stock is gone
- 1 Capacitor Start/Capacitor Run design for reduced amperage
- 5 56H, 143T, and 145T Combination Base with 12 mounting holes
- 12 With rigid base
- 16 Fixed CCW Rotation, viewing opposite shaft (or lead end) of motor
- 68 Nameplated 60/50 Hertz

DEFINITE PURPOSE

# Kiln Duty, Premium Efficiency Blue Chip Severe Duty Totally Enclosed Air Over

Three Phase, Rigid Base

**Applications:** Fans found in kilns and other high ambient environments where long life and high efficiency are desired. These TEAO motors must be mounted within the airstream for proper cooling. Suitable for use on variable frequency drives.



- Features:**
- Blue Chip quality, 100% cast iron construction for rigidity and reduced vibration
  - Internal and external epoxy paint
  - CR<sup>200</sup> Corona resistant magnet wire
  - Class H insulation system  
Normally closed thermostats
  - Heat stabilized ball bearings and high temperature grease
  - Suitable for inverter use for 20:1 Variable Torque with 1.0 S.F.
  - Suitable for 90°C ambient at 1.15 S.F. or 100°C ambient at 1.0 S.F.
  - Extended grease tubes, regreaseable in service
  - 8 Foot Leads
  - UL Recognized and CSA Certified

HP	RPM	VOLTS	FRAME	CAT. NO.	MODEL NO.	LIST PRICE	MULT. SYMB.	NOM. EFF.	F.L. AMPS	APPROX. WGT. LBS.	"C" DIM.	FOOT NOTES
<b>1</b>	1800	460	143T	S500	----	\$1,129	E9	85.5	1.5	65	10.43	
	1800	575	143T	S550	----	\$1,129	E9	85.5	1.2	65	10.43	
	1200	460	145T	S501	145TTTN18577	\$1,218	E9	80.0	1.7	59	11.43	
	1200	575	145T	S551	----	\$1,218	E9	80.0	1.4	59	11.43	
	900	460	182T	S502	----	\$1,699	E9	74.0	2.2	100	12.71	
	900	575	182T	S552	----	\$1,699	E9	74.0	1.8	100	12.71	
<b>2</b>	1800	460	145T	S503	145TTTN18531	\$1,218	E9	85.5	2.8	68	11.43	
	1800	575	145T	S553	145TTTN18532	\$1,218	E9	85.5	2.3	68	11.43	
	1200	460	184T	S504★	184TTTS18577	\$1,684	E9	87.5	3.0	115	13.71	d
	1200	575	184T	S554	184TTTS18578	\$1,684	E9	87.5	2.4	115	13.71	
	900	460	213T	S505	----	\$1,788	E9	84.0	3.8	170	15.69	
	900	575	213T	S555	----	\$1,788	E9	84.0	3.0	170	15.69	
<b>3</b>	1800	460	182T	S506	182TTTS18532	\$1,646	E9	90.2	3.9	110	13.71	
	1800	575	182T	S556	----	\$1,646	E9	89.5	3.2	110	13.71	
	1200	460	213T	S507	213TTTS17077	\$1,788	E9	89.5	4.3	175	15.69	
	1200	575	213T	S557	213TTTS17078	\$1,788	E9	89.8	3.5	175	15.69	
	900	460	215T	S508	----	\$2,059	E9	86.5	5.0	200	17.18	
	900	575	215T	S558	215TTTS18064	\$2,059	E9	86.5	4.0	200	17.18	
<b>5</b>	1800	460	184T	S509	----	\$1,684	E9	90.2	6.5	130	13.71	
	1800	575	184T	S559	----	\$1,684	E9	90.2	5.0	130	13.71	
	1200	460	215T	S510★	215TTTS17077	\$2,059	E9	87.5	6.9	200	17.19	
	1200	575	215T	S560★	215TTTS17078	\$2,059	E9	88.5	5.5	200	17.19	
	900	460	254T	S511	----	\$2,211	E9	88.5	7.5	375	20.60	
	900	575	254T	S561	----	\$2,211	E9	88.5	6.0	375	20.60	
<b>7 1/2</b>	1800	460	213T	S512	----	\$1,982	E9	91.7	9.6	200	15.69	
	1800	575	213T	S562	----	\$1,982	E9	91.7	7.7	200	15.69	
	1200	460	254T	S513★	254TTTNA17077	\$3,025	E9	90.2	9.8	375	20.60	
	1200	575	254T	S563	----	\$3,025	E9	90.2	7.9	375	20.60	
	900	460	256T	S514	----	\$2,828	E9	88.5	11.0	425	22.35	
	900	575	256T	S564	256TTTNA18601	\$2,828	E9	88.5	8.6	425	22.35	
<b>10</b>	1800	460	215T	S515	----	\$2,059	E9	91.7	12.5	225	17.19	
	1800	575	215T	S565	----	\$2,059	E9	91.7	10.0	225	17.19	
	1200	460	256T	S516★	256TTTNA18578	\$2,895	E9	91.0	12.8	425	22.35	
	1200	575	256T	S566★	256TTTNA18577	\$2,895	E9	91.0	10.2	425	22.35	d
	900	460	284T	S517★	284TTTNA18601	\$3,001	E9	88.5	15.2	475	23.44	
	900	575	284T	S567★	284TTTNA17101	\$3,001	E9	88.5	12.2	475	23.44	

Blue shaded areas are Cast Iron Frames

★ Stock Model

**Footnotes:**

d To be discontinued after current stock is gone

Continued on next page.

# Kiln Duty, Premium Efficiency Blue Chip Severe Duty Totally Enclosed Air Over

Three Phase, Rigid Base

HP	RPM	VOLTS	FRAME	CAT. NO.	MODEL NO.	LIST PRICE	MULT. SYMB.	NOM. EFF.	F.L. AMPS	APPROX. WGT. LBS.	"C" DIM.	FOOT NOTES
15	1800	460	254T	S518	254TTTNA18530	\$2,762	E9	92.4	18.2	425	20.60	
	1800	575	254T	S568	----	\$2,762	E9	92.4	14.4	425	20.60	
	1200	460	284T	S519	284TTTNA16577	\$3,467	E9	91.7	20.5	475	23.44	
	1200	575	284T	S569	284TTTNA18577	\$3,467	E9	91.7	16.4	475	23.44	
	900	460	286T	S520	----	\$3,797	E9	90.2	22.0	550	24.94	
	900	575	286T	S570	----	\$3,797	E9	90.2	17.6	550	24.94	
20	1800	460	256T	S521	----	\$2,382	E9	93.0	24.1	450	22.35	A
	1800	575	256T	S571	----	\$2,382	E9	93.0	19.3	450	22.35	A
	1200	460	286T	S522	286TTTNA18577	\$3,797	E9	91.7	27.0	550	24.94	A
	1200	575	286T	S572	----	\$3,797	E9	91.7	21.4	550	24.94	A
	900	460	324T	S523	324TTTS18601	\$4,640	E9	90.2	29.5	685	26.00	
	900	575	324T	S573	----	\$4,640	E9	90.2	23.5	685	26.00	
25	1800	460	284T	S524	----	\$3,001	E9	93.6	31.0	500	23.44	
	1800	575	284T	S574	----	\$3,001	E9	93.6	24.8	500	23.44	
	1200	460	324T	S525	324TTTS18577	\$4,770	E9	92.4	33.0	675	26.00	
	1200	575	324T	S575	----	\$4,770	E9	92.4	26.5	675	26.00	
	900	460	326T	S526	----	\$5,051	E9	90.2	37.0	750	27.50	
	900	575	326T	S576	----	\$5,051	E9	90.2	29.5	750	27.50	
30	1800	460	286T	S527	----	\$3,797	E9	94.1	36.5	525	24.94	
	1800	575	286T	S577	----	\$3,797	E9	94.1	29.2	525	24.94	
	1200	460	326T	S528	326TTTS18577	\$5,051	E9	93.0	38.0	725	27.50	
	1200	575	326T	S578	----	\$5,051	E9	93.0	31.5	725	27.50	

Blue shaded areas are Cast Iron Frames

★ Stock Model

DEFINITE PURPOSE

**Footnotes:**

A NEMA Design A



# Oil Well Pumps, Three Phase

## Dripproof, Rigid Base

**Applications:** For use on walking beam pumps found in oil field service.

- Features:**
- NEMA design D for extra high starting and breakdown torques
  - Thermostats for thermal overload protection
  - Fully guarded with screens on all external openings
  - Shaft slinger
  - Low starting current with 5-8% slip
  - Class F insulation
  - F2 conduit box location
  - Copper bar rotor on 500 frame
  - Special "oil well" duty
  - 1.15 Service Factor



HP	RPM	VOLTS	FRAME	BEARINGS	OVER LOAD	CAT. NO.	MODEL NO.	LIST PRICE	MULT. SYMB.	NOM. EFF.	F.L. AMPS	APPROX. WGT. LBS.	"C" DIM.	FOOT NOTES
3	1200	230/460/796	215T	BALL	TSTAT	Y201	215TTDW7376	\$1,205	S7	82.5	10.6/5.3/3.1	80	17.30	
5	1200	230/460/796	215T	BALL	TSTAT	Y202★	215TTDW7377	\$1,392	S7	84.0	16.6/8.3/4.8	118	17.30	
7 1/2	1200	230/460/796	254T	BALL	TSTAT	Y203	254TTDX7377	\$1,791	S7	85.5	22.0/11.0/6.4	220	21.29	
10	1200	230/460/796	256T	BALL	TSTAT	Y204★	256TTDX7391	\$2,209	S7	86.5	29.0/14.5/8.4	225	23.04	
15	1200	230/460/796	284T	BALL	TSTAT	Y215★	284TTDP7692	\$2,672	S7	87.5	41.0/20.5/11.9	332	23.44	
20	1200	230/460/796	286T	BALL	TSTAT	Y216★	286TTDP7689	\$3,251	S7	87.5	53.0/26.5/15.3	375	24.94	
25	1200	460/796	324T	BALL	TSTAT	Y217★	324TTDP7687	\$3,991	S7	88.5	34.0/19.7	490	26.00	
30	1200	460/796	326T	BALL	TSTAT	Y218★	326TTDP7697	\$4,770	S7	88.5	40.0/23.1	548	27.50	
40	1200	460/796	365T	BALL	TSTAT	Y209★	365TTDS7383	\$6,263	S7	87.5	48.0/27.7	713	29.93	
50	1200	460/796	404T	BALL	TSTAT	Y210★	404TTDS7387	\$7,567	S7	87.5	60.0/34.5	939	32.81	
60	1200	460/796	405T	BALL	TSTAT	Y211★	405TTDS7697	\$8,926	S7	87.5	71.0/41.0	1018	34.31	d
75	1200	460/796	444T	BALL	TSTAT	Y212★	444TTDS8699	\$10,020	S7	90.2	91.5/53.0	1226	38.06	
100	1200	460/796	445T	BALL	TSTAT	Y213	445TTDS9477	\$13,361	S7	88.5	124/71.5	1327	40.06	
125	1200	460/796	505U	ROLLER	TSTAT	Y219	505UTDS1584	\$19,574	S7	90.2	175/101	2054	45.19	
150	1200	460/796	505U	ROLLER	TSTAT	Y220	505UTDS1590	\$20,917	S7	91.0	175/101	2282	45.19	

★ Stock Model

Blue shaded areas are Cast Iron Frames

DEFINITE PURPOSE

**Footnotes:**

d To be discontinued after current stock is gone

# Pressure Washer, Single Phase

## Dripproof, Rigid Base



**Applications:** Portable or stationary high pressure washers and steam cleaners, compressors, and other reciprocating pumps and applications where high starting torque and low running amps are required and motors are installed in a relatively clean, dry environment.

- Features:**
- Ball bearings
  - Heavy gauge steel frame and base
  - Capacitor start/capacitor run design for low amps and high efficiency
  - Continuous duty, 1.15 Service Factor
  - Manual reset thermal protectors on some models
  - UL Recognized and CSA Certified

HP	RPM	VOLTS	FRAME	OVER LOAD	CAT. NO.	MODEL NO.	LIST PRICE	MULT. SYMB.	F.L. AMPS	APPROX. WGT. LBS.	"C" DIM.	FOOT NOTES
<b>3/4</b>	3600	115/208-230	56	MANUAL	D015	56C34D2094	<b>\$233</b>	F1	9.8/4.8-4.9	19	10.97	2
	1800	115/208-230	56	MANUAL	K016★	56B17D56	<b>\$324</b>	F1	11.0/5.5-5.5	25	11.47	1
<b>1</b>	3600	115/208-230	56	MANUAL	D010★	56B34D2029	<b>\$267</b>	F1	10.6/5.5-5.3	23	11.72	1
	1800	115/208-230	56	MANUAL	G936★	56C17D5305	<b>\$268</b>	F1	13.4/6.8-6.7	29	11.44	2,7
<b>1 1/2</b>	3600	115/208-230	56	MANUAL	G987	56B34D2021	<b>\$363</b>	F1	14.8/8.0-7.4	27	11.72	1
	1800	115/208-230	56H	MANUAL	G958★	56B17D5323	<b>\$429</b>	F1	13.2/7.2-6.6	39	11.94	1,5,7
<b>2</b>	3600	115/208-230	56H	MANUAL	G976	56B34D5304	<b>\$449</b>	F1	17.6/9.7-8.8	34	11.44	1,5,7
	1800	115/208-230	145T	MANUAL	I127★	145TBDR5337	<b>\$497</b>	S1	18.8/10.2-9.4	50	13.49	1,7
	1800	115/208-230	56H	MANUAL	G979	56B17D5319	<b>\$566</b>	F1	18.8/10.2-9.4	50	13.44	1,5,7
<b>3</b>	3600	208-230	56H	MANUAL	G996	56B34D5334	<b>\$576</b>	F1	14.2-12.5	43	12.44	1,5,7
	1800	208-230	184T	NONE	I128★	184TBDR7631	<b>\$580</b>	S1	15.4-13.7	82	15.22	1
	1800	208-230	184T	MANUAL	I130★	184TBDR7630	<b>\$629</b>	S1	15.4-13.7	82	15.22	1
<b>5</b>	1800	208-230	184T	MANUAL	I119★	184TBDR7375	<b>\$829</b>	S1	25.0-24.1	82	16.22	1
	1800	208-230	184T	NONE	I131★	184TBDR7632	<b>\$837</b>	S1	25.0-24.1	80	16.22	1

★ Stock Model

DEFINITE PURPOSE

# Pressure Washer, Single Phase

## Dripproof, C-Face with Rigid Base



**Applications:** Portable or stationary high pressure washers and steam cleaners, compressors, and other reciprocating pumps and applications where high starting torque and low running amps are required and motors are installed in a relatively clean, dry environment. NEMA C-Face mounting provisions for direct-coupled applications.

- Features:**
- Ball bearings, mechanically locked on shaft end
  - Heavy gauge steel frame and base
  - Capacitor start/capacitor run design for low amps and high efficiency
  - Continuous duty, 1.15 Service Factor
  - Manual reset thermal protector
  - UL Recognized and CSA Certified

HP	RPM	VOLTS	FRAME	OVER LOAD	CAT. NO.	MODEL NO.	LIST PRICE	MULT. SYMB.	F.L. AMPS	APPROX. WGT. LBS.	"C" DIM.	FOOT NOTES
<b>1 1/2</b>	3600	115/208-230	56C	MANUAL	K212	56B34D2018	<b>\$380</b>	F1	14.8/8.0-7.4	28	11.72	
	1800	115/208-230	56HC	MANUAL	G290	56B17D5328	<b>\$445</b>	F1	13.2/7.2-6.6	44	11.94	5
<b>2</b>	3600	115/208-230	56HC	MANUAL	G294	56B34D5307	<b>\$464</b>	F1	16.8/9.4-8.4	36	11.44	5
	1800	115/208-230	56HC	MANUAL	K232★	56B17D5322	<b>\$554</b>	F1	18.8/10.2-9.4	50	13.43	5
<b>3</b>	3600	208-230	56HC	MANUAL	K219	56B34D5336	<b>\$591</b>	F1	14.2-12.5	42	12.44	5
	1800	208-230	184TC	MANUAL	I305	184TBDR7628	<b>\$689</b>	S1	15.4-13.7	87	15.96	
<b>5</b>	1800	208-230	184TC	MANUAL	I308	184TBDR7634	<b>\$949</b>	S1	25.0-24.1	97	16.96	

★ Stock Model

**Footnotes:**

1 Capacitor Start/Capacitor Run design for reduced amperage  
 2 Capacitor Start Induction Run design

5 56H, 143T, and 145T Combination Base with 12 mounting holes  
 7 Will accept C-Face kit, see Accessory Section

## Pressure Washer, Single Phase

Totally Enclosed Fan Cooled, Rigid Base

**Applications:** Portable or stationary high pressure washers and steam cleaners, compressors, and other reciprocating pumps and applications where high starting torque and low running amps are required and motors are installed in a dirty or dusty environment.

- Features:**
- Ball bearings
  - Heavy gauge steel frame and base
  - Capacitor start/capacitor run design for low amps and high efficiency
  - Continuous duty, 1.15 Service Factor
  - Manual reset thermal protector
  - UL Recognized and CSA Certified



HP	RPM	VOLTS	FRAME	OVER LOAD	CAT. NO.	MODEL NO.	LIST PRICE	MULT. SYMB.	F.L. AMPS	APPROX. WGT. LBS.	"C" DIM.	FOOT NOTES
<b>3/4</b>	3600	115/208-230	56	MANUAL	G379★	56C34F5309	\$259	F1	10.6/5.3-5.3	28	12.32	2,7
	1800	115/208-230	56	MANUAL	G356★	56C17F5308	\$357	F1	11.0/5.4-5.5	29	12.32	2,7
<b>1</b>	3600	115/208-230	56	MANUAL	G390★	56C34F5311	\$293	F1	12.4/6.7-6.2	31	12.32	2,7
	1800	115/208-230	56	MANUAL	G373★	56C17F5311	\$374	F1	13.4/6.8-6.7	32	12.82	2,7
<b>1 1/2</b>	3600	115/208-230	56	MANUAL	K332	56B34F5303	\$397	F1	12.1/6.9-6.1	37	13.32	1,7
	1800	115/208-230	56H	MANUAL	G378★	56B17F5302	\$429	F1	15.2/8.2-7.6	41	13.82	1,5,7
<b>2</b>	3600	115/230	56H	MANUAL	K335	-----	\$434	F1	17.5/8.7	40	13.32	1,5,7
	1800	115/230	56H	MANUAL	K316	-----	\$530	F1	18.8/9.4	52	14.82	1,5,7
	1800	115/230	145T	MANUAL	I702★	145TBFR5336	\$550	S1	18.8/9.4	52	14.87	d,1,7
<b>3</b>	3600	230	56H	MANUAL	K338	-----	\$603	F1	11.8	51	14.82	1,5,7
	1800	230	184T	MANUAL	I704	-----	\$778	S1	13.7	88	16.86	1
<b>5</b>	1800	230	184T	MANUAL	I706	-----	\$961	S1	21.0	95	17.86	1

★ Stock Model

## Pressure Washer, Single Phase

Totally Enclosed Fan Cooled, C-Face with Rigid Base

**Applications:** Portable or stationary high pressure washers and steam cleaners, compressors, and other reciprocating pumps and applications where high starting torque and low running amps are required and motors are installed in a dirty or dusty environment. NEMA C-Face mounting provisions for direct-coupled applications.

- Features:**
- Ball bearings, mechanically locked on shaft end
  - Heavy gauge steel frame and base
  - Capacitor start/capacitor run design for low amps and high efficiency
  - Continuous duty, 1.15 Service Factor, except where noted
  - Manual reset thermal protector
  - UL Recognized and CSA Certified



DEFINITE PURPOSE

HP	RPM	VOLTS	FRAME	OVER LOAD	CAT. NO.	MODEL NO.	LIST PRICE	MULT. SYMB.	F.L. AMPS	APPROX. WGT. LBS.	"C" DIM.	FOOT NOTES
<b>1/2</b>	1800	115/208-230	56C	MANUAL	G380★	56C17F5957	\$330	F1	8.8/4.2-4.4	27	11.82	2
<b>3/4</b>	1800	115/208-230	56C	MANUAL	G381★	56C17F5955	\$395	F1	11.5/4.5-5.5	33	12.32	2
<b>1</b>	1800	115/208-230	56C	MANUAL	G382★	56C17F5956	\$413	F1	13.4/6.8-6.7	35	12.82	2
<b>1 1/2</b>	3600	115/208-230	56C	MANUAL	K612★	56B34F5306	\$412	F1	12.1/6.9-6.0	40	13.32	1
	1800	115/208-230	56HC	MANUAL	G396★	56B17F5310	\$471	F1	13.6/7.5-6.8	45	13.82	1,5
<b>2</b>	3600	115/230	56HC	MANUAL	K615★	56B34F5312	\$489	F1	17.5/8.7	42	13.32	1,5
	1800	115/230	145TC	MANUAL	I311	145TBFR5333	\$666	S1	18.8/9.4	52	14.87	1
	1800	115/230	56HC	MANUAL	K319★	56B17F5319	\$559	F1	18.8/9.4	53	14.82	1,5
<b>3</b>	3600	230	56HC	MANUAL	K618★	56B34F5318	\$617	F1	11.8	52	14.82	1,5
	1800	230	184TC	MANUAL	I314★	184TBFR7041	\$838	S1	13.7	104	17.61	1
<b>5</b>	1800	230	184TC	MANUAL	I315★	184TBFR7034	\$1,000	S1	21.0	98	18.72	1,17

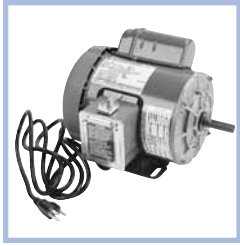
★ Stock Model

**Footnotes:**

- d To be discontinued after current stock is gone
- 1 Capacitor Start/Capacitor Run design for reduced amperage
- 2 Capacitor Start Induction Run design
- 5 56H, 143T, and 145T Combination Base with 12 mounting holes
- 7 Will accept C-Face kit, see Accessory Section
- 17 1.0 Service Factor

# Woodworking/Power Tool, Single Phase

## Totally Enclosed, Rigid Base



**Applications:** Replacement motors for table saws, planers, lathes, and other equipment found in the woodworking and metalworking trades. These totally enclosed, fan cooled motors are well suited for use in dusty and dirty environments or where wood or metal shavings are present.

- Features:**
- Capacitor start design for high starting torque with low amps
  - Double sealed ball bearings
  - Heavy gauge steel frame and base
  - 1.15 Service Factor
  - Manual reset thermal protector
  - Dependable, dust-proof centrifugal starting switch
  - On/off toggle switch and 8 foot cord with 115 volt plug included on 1/2 to 1-1/2 HP models
  - UL Recognized and CSA Certified

HP	RPM	VOLTS	FRAME	OVER LOAD	CAT. NO.	MODEL NO.	LIST PRICE	MULT. SYMB.	F.L. AMPS	APPROX. WGT. LBS.	"C" DIM.	FOOT NOTES
<b>1/2</b>	1800	115/208-230	56	MANUAL	T010*	56C17F5351	<b>\$341</b>	F1	8.8/4.2-4.4	29	11.82	2
<b>3/4</b>	3600	115/208-230	56	MANUAL	T013*	56C34F5340	<b>\$309</b>	F1	10.6/5.3-5.3	43	12.32	2
	1800	115/208-230	56	MANUAL	T014*	56C17F5350	<b>\$399</b>	F1	11.0/5.4-5.5	30	12.32	d,2
<b>1</b>	3600	115/208-230	56	MANUAL	T015*	56C34F5339	<b>\$343</b>	F1	12.4/6.7-6.2	31	12.32	2
	1800	115/208-230	56	MANUAL	T016*	56C17F5349	<b>\$422</b>	F1	13.4/6.8-6.7	31	12.82	2
<b>1 1/2</b>	3600	115/208-230	56	MANUAL	T017*	56B34F5332	<b>\$421</b>	F1	14.2/7.7-7.1	35	12.82	1
	1800	115/208-230	56	MANUAL	T018	56B17F5328	<b>\$513</b>	F1	13.6/7.5-6.8	45	13.73	1
<b>2</b>	3600	115/230	56H	MANUAL	T019*	56B34F5333	<b>\$459</b>	F1	17.5/8.7	37	13.41	1,5
	1800	115/230	56H	MANUAL	T030*	56B17F5329	<b>\$566</b>	F1	18.8/9.4	50	14.82	1,5
<b>3</b>	3600	208-230	145T	MANUAL	T031*	145TBFR5309	<b>\$636</b>	S1	13.1/11.8	51	14.87	1

\* Stock Model

DEFINITE PURPOSE

**Footnotes:**

- d To be discontinued after current stock is gone
- 1 Capacitor Start/Capacitor Run design for reduced amperage
- 2 Capacitor Start Induction Run design
- 5 56H, 143T, and 145T Combination Base with 12 mounting holes

# microMAX™ AC Inverter Duty Motor

## 1000:1 Constant Torque (TENV), 20:1 Constant Torque (TEFC)

### C-Face with Rigid Base

**Applications:** Designed for direct replacement of PMDC or any other variable speed application where up to a 1000:1 constant torque speed range is required. Typical uses include: machine tools, conveyors, packaging machines, batching machines, and printing equipment.



- Features:**
- Replaces 90 volt and 180 volt PMDC motors (when used with AC variable frequency drives)
  - Constant torque operation from 0 to base speed (TENV ratings)
  - Constant torque operation from 1/20 speed to base speed (TEFC ratings)
  - Constant horsepower to twice base speed (RPM)
  - Class H insulation with CR<sup>200</sup> magnet wire
  - Removable base for C-Face footless mounting (as noted)
  - Continuous duty at 40°C ambient
  - "Quick Connect" terminal board (as noted)
  - Top mounted conduit box with pigtail leads (TEFC and 1.5 HP TENV)
  - Eliminates brush and commutator maintenance
  - UL Recognized, CSA Certified, and CE Marked
  - Three year warranty

HP	RPM	VOLTS	ENCL.	FRAME	CAT NO.	MODEL NO.	LIST PRICE	MULT. SYMB.	F.L. AMPS	APPROX. WGT. LBS.	"C" DIM.	FOOT NOTES
<b>1/8</b>	1800	230	TENV	56C	Y605	56H17T2021	\$220	E3	0.7	18	9.05	Q
<b>1/4</b>	1800	230	TENV	56C	Y500*	56H17T2011	\$238	E3	1.0	18	9.80	Q
<b>1/3</b>	1800	230	TENV	56C	Y502*	56H17T2013	\$256	E3	1.2	18	9.80	Q
<b>1/2</b>	1800	230	TENV	56C	Y504*	56H17T2015	\$301	E3	1.8	20	10.55	Q
	1800	230/460	TENV	56C	Y360*	56H17T2017	\$301	E3	1.8/0.9	20	10.55	
	1800	575	TENV	56C	Y361	56H17T2019	\$301	E3	0.7	20	10.55	Q
<b>3/4</b>	1800	230	TEFC	56C	Y506*	56H17F2011	\$372	E3	2.8	23	11.19	
	1800	230/460	TEFC	56C	Y362*	56H17F2017	\$372	E3	2.8/1.4	23	11.19	
	1800	575	TEFC	56C	Y363	56H17F2015	\$372	E3	1.1	23	11.19	
<b>1</b>	1800	230	TEFC	56C	Y508	56H17F2013	\$419	E3	3.2	28	12.44	
	1800	230/460	TEFC	56C	Y364*	56H17F2021	\$419	E3	3.2/1.6	28	12.44	
	1800	575	TEFC	56C	Y365*	56H17F2019	\$419	E3	1.3	28	12.44	
<b>1 1/2</b>	1800	230	TENV	145TC	Y522*	145THFR5328	\$521	E3	4.8	48	13.48	6
	1800	230/460	TENV	145TC	Y366*	145THFR5329	\$521	E3	4.8/2.4	48	13.48	6
	1800	575	TENV	145TC	Y367	145THFR5330	\$521	E3	1.9	48	13.48	6
<b>2</b>	1800	230	TEFC	145TC	Y523*	145THFR5326	\$691	E3	5.8	53	14.87	d,6
	1800	230/460	TEFC	145TC	Y368*	145THFR5329	\$691	E3	5.8/2.9	51	14.87	6
	1800	575	TEFC	145TC	Y369*	145THFR5330	\$691	E3	2.3	51	14.87	6
<b>3</b>	1800	230	TEFC	182/145TC	Y530	182THFR5326	\$815	E3	8.4	52	14.87	86,88
	1800	230	TEFC	182TC	Y998	182THFR7726	\$850	E3	8.4	70	16.19	6
	1800	230/460	TEFC	182/145TC	Y370*	182THFR5329	\$815	E3	8.4/4.2	52	14.87	86,88
	1800	230/460	TEFC	182TC	Y999*	182THFR7729	\$850	E3	8.4/4.2	86	16.19	6
	1800	575	TEFC	182/145TC	Y371	182THFR5330	\$815	E3	3.4	52	14.87	86,88
	1800	575	TEFC	182TC	Y270	182THFR7730	\$850	E3	3.4	86	16.19	6
<b>5</b>	1800	230/460	TEFC	184TC	Y372*	184THFR7726	\$967	E3	13.4/6.7	88	16.69	6
	1800	575	TEFC	184TC	Y373	184THFR7736	\$967	E3	5.4	88	16.69	6
<b>7 1/2</b>	1800	230/460	TEFC	213TC	Y994*	213THFW7726	\$1,237	E3	21.4/10.7	98	20.97	6
	1800	575	TEFC	213TC	Y995	213THFW7736	\$1,237	E3	8.5	98	20.97	6
<b>10</b>	1800	230/460	TEFC	215TC	Y996*	215THFW7726	\$1,582	E3	27.6/13.8	125	22.22	6
	1800	575	TEFC	215TC	Y997	215THFW7736	\$1,582	E3	11.1	125	22.22	6

★ Stock Model

**Footnotes:**

- Q "Quick Connect" terminal board
- 6 Bolt-on, removable base for footless mounting option
- 86 2:1 constant torque speed range; contact factory for greater than 2:1 capability
- 88 182T base and shaft height, 145TC mounting face and shaft dimensions

Continued on next page.



# microMAX™ AC Inverter Duty Motor

## 1000:1 Constant Torque (TENV), 20:1 Constant Torque (TEFC)

### C-Face

HP	RPM	VOLTS	ENCL.	FRAME	CAT NO.	MODEL NO.	LIST PRICE	MULT. SYMB.	F.L. AMPS	APPROX. WGT. LBS.	"C" DIM.	FOOT NOTES
<b>1/8</b>	1800	230	TENV	56C	Y606*	56H17T2022	\$220	E3	0.7	15	9.05	Q
<b>1/4</b>	1800	230	TENV	56C	Y501*	56H17T2012	\$238	E3	1.0	17	9.80	Q
<b>1/3</b>	1800	230	TENV	56C	Y503	56H17T2014	\$256	E3	1.2	17	9.80	Q
<b>1/2</b>	1800	230	TENV	56C	Y505	56H17T2016	\$301	E3	1.8	19	10.55	Q
	1800	230/460	TENV	56C	Y374*	56H17T2018	\$301	E3	1.8/0.9	19	10.55	
	1800	575	TENV	56C	Y375	56H17T2020	\$301	E3	0.7	19	10.55	Q
<b>3/4</b>	1800	230	TEFC	56C	Y507*	56H17F2012	\$372	E3	2.8	21	11.19	d
	1800	230/460	TEFC	56C	Y376*	56H17F2018	\$372	E3	2.8/1.4	21	11.19	
	1800	575	TEFC	56C	Y377	56H17F2016	\$372	E3	1.1	21	11.19	
<b>1</b>	1800	230	TEFC	56C	Y521*	56H17F2014	\$419	E3	3.2	27	12.44	d
	1800	230/460	TEFC	56C	Y378*	56H17F2022	\$419	E3	3.2/1.6	27	12.44	
	1800	575	TEFC	56C	Y379*	56H17F2020	\$419	E3	1.3	27	12.44	d

\* Stock Model

**Footnotes:**

- d To be discontinued after current stock is gone
- Q "Quick Connect" terminal board

# Black Max® Vector Duty, 1000:1 Constant Torque

Totally Enclosed Non-Ventilated, C-Face with Rigid Base

**Applications:** Designed for inverter or vector applications where up to a 1000:1 Constant Torque speed range is required. Typical uses include: material handling, machine tools, conveyors, crane and hoist, metal processing, test stands, pumps compressors, textile processing, and other industrial machinery installed in dusty or dirty environments.



- Features:**
- MAX GUARD® Class F insulation system
  - Constant Torque operation from 0 to base speed on Vector Drive
  - Constant Horsepower operation up to twice base RPM
  - Continuous duty at 40°C ambient
  - Optimized for operation with IGBT inverter (NEMA Design A)
  - Normally closed thermostats (one per phase, Class F)
  - Removable rigid base (as noted)
  - Ball Bearings
  - Field reversible to F2 (except where noted)
  - Encoder and brake provisions included on opposite drive end (maximum 10 lb-ft brake, see Modifications and/or Accessory Kits sections)
  - UL Recognized, CSA Certified, and CE Marked
  - Three year warranty



HP	RPM	VOLTS	FRAME	OVER LOAD	CAT. NO.	MODEL NO.	LIST PRICE	MULT. SYMB.	F.L. AMPS	APPROX. WGT. LBS.	"C" DIM.	FOOT NOTES
1/4	1800	230/460	56C	TSTAT	Y592★	56H17T2001	\$349	E3	1.2/0.6	19	11.88	S,13
1/2	1800	230/460	56C	TSTAT	Y534★	56H17T5301	\$437	E3	1.6/0.8	28	13.48	S,6,13
	1800	575	56C	TSTAT	Y555★	56H17T5311	\$437	E3	0.6	28	13.48	S,6,13
1	1800	230/460	56C	TSTAT	Y535★	56H17T5302	\$521	E3	3.0/1.5	41	14.98	S,6,13
	1800	575	56C	TSTAT	Y556★	56H17T5312	\$521	E3	1.2	41	14.98	S,6,13
	1800	230/460	143TC	TSTAT	Y536★	143THTR5326	\$535	E3	3.0/1.5	43	15.04	S,6,13
	1200	230/460	145TC	TSTAT	Y537★	145THTR5376	\$620	E3	3.8/1.9	49	16.04	S,6,13
1 1/2	1800	230/460	145TC	TSTAT	Y538★	145THTR5326	\$650	E3	4.8/2.4	50	16.04	S,6,13
2	1800	230/460	145TC	TSTAT	Y551★	145THTN6046	\$898	E3	6.0/3.0	72	14.68	
	1800	575	145TC	TSTAT	Y557★	145THTN6060	\$898	E3	2.4	72	14.68	
	1200	230/460	184TC	TSTAT	Y540★	184THTL7776	\$1,284	E3	6.6/3.3	88	16.94	AL
3	1800	230/460	182TC	TSTAT	Y541★	182THTL7726	\$1,113	E3	8.4/4.2	96	17.39	AL
	1800	575	182TC	TSTAT	Y558★	182THTL7736	\$1,113	E3	3.4	96	17.39	AL
	1200	230/460	213TC	TSTAT	Y542★	213THTL7776	\$1,582	E3	9.4/4.7	118	19.94	AL
5	1800	230/460	184TC	TSTAT	Y543★	184THTL7726	\$1,329	E3	14.0/7.0	98	18.94	AL
	1800	575	184TC	TSTAT	Y559★	184THTL7736	\$1,329	E3	5.6	98	18.94	AL
	1200	230/460	215TC	TSTAT	Y544★	215THTL7776	\$1,924	E3	15.4/7.7	138	20.54	AL
7 1/2	1800	230/460	213TC	TSTAT	Y545★	213THTL7726	\$1,745	E3	21.0/10.5	146	20.54	AL
	1800	575	213TC	TSTAT	Y560★	213THTL7736	\$1,745	E3	8.4	146	20.54	AL
	1200	230/460	254TC	TSTAT	Y546★	254THTL5776	\$2,588	E3	22.0/11.0	209	25.37	AL,I
10	1800	230/460	215TC	TSTAT	Y547★	215THTL7726	\$2,087	E3	27.0/13.5	159	23.04	AL
	1800	575	215TC	TSTAT	Y561★	215THTL7736	\$2,087	E3	10.8	159	23.04	AL
	1200	230/460	256TC	TSTAT	Y548★	256THTL5776	\$2,930	E3	28.0/14.0	203	26.87	AL,I
15	1800	230/460	254TC	TSTAT	Y549★	254THTL5726	\$2,484	E3	40.0/20.0	250	26.87	I,AL
	1800	575	254TC	TSTAT	Y562★	254THTL5736	\$2,484	E3	16.0	250	26.87	I,AL
20	1800	230/460	256TC	TSTAT	Y552★	256THTNA7026	\$3,626	E3	52.0/26.0	300	27.13	
	1800	575	256TC	TSTAT	Y563★	256THTNA7036	\$3,626	E3	21.0	300	27.13	
25	1800	230/460	284TC	TSTAT	Y553★	284THTNA7026	\$3,944	E3	62.0/31.0	495	27.08	I
	1800	575	284TC	TSTAT	Y567★	284THTNA7036	\$3,944	E3	24.8	495	27.08	I
30	1800	230/460	286TC	TSTAT	Y393★	286THTNA7026	\$4,447	E3	74.0/37.0	575	28.58	
	1800	575	286TC	TSTAT	Y394★	286THTNA7036	\$4,447	E3	29.6	575	28.58	

★ Stock Model

Blue shaded areas are Cast Iron Frames

Contact Marathon for other base speeds and options not shown in this catalog.

**Footnotes:**

- AL Aluminum Frame Construction
- I Reduced HP @ 120 HZ
- S Steel Frame Construction
- 6 Bolt-on, removable base for footless mounting option
- 13 F1 Mounting Only, Cannot reassemble to F2

INVERTER DUTY

# Black Max® Vector Duty, 1000:1 Constant Torque Explosion Proof, Class I Groups C & D, Class II Groups F & G

Totally Enclosed Non-Ventilated, C-Face with Rigid Base



**Applications:** For use in material handling, machine tools, conveyors, crane & hoist, and other variable speed applications requiring up to 1000:1 constant torque speed range, to be installed in hazardous environments as defined by the motor's explosion proof class and group rating. Refer to the General Information sections contained in this catalog for information on explosion proof classifications. Consult the National Electrical Code and your local regulations for the proper selection of motors in hazardous locations.

- Features:**
- Class F MAX GUARD® insulation system
  - Constant torque operation from 0 to base speed on vector drive
  - Constant HP operation to twice base RPM
  - Continuous duty at 40°C ambient
  - Optimized for operation with IGBT inverter (NEMA Design A)
  - Normally closed thermostats (one per phase, Class F)
  - Ball Bearings
  - Top mount (F3) conduit box included, shipped loose
  - No Encoder Provisions included
  - UL listed, temperature code T3B, under file #E12044
  - CSA certified, under file numbers LR47504 and LR21839
  - Three year warranty



HP	RPM	VOLTS	FRAME	OVER LOAD	CAT. NO.	MODEL NO.	LIST PRICE	MULT. SYMB.	F.L. AMPS	APPROX. WGT. LBS.	"C" DIM.	FOOT NOTES
<b>1/4</b>	1800	230/460	56C	TSTAT	Y600*	56H17E5301	\$520	E3	1.1/0.55	34	11.97	
<b>1/3</b>	1800	230/460	56C	TSTAT	Y601	56H17E5302	\$610	E3	1.2/0.6	34	11.97	
<b>1/2</b>	1800	230/460	56C	TSTAT	Y602*	56H17E5303	\$658	E3	1.8/0.9	39	12.47	
<b>3/4</b>	1800	230/460	56C	TSTAT	Y603	56H17E5304	\$728	E3	2.4/1.2	42	13.47	
<b>1</b>	1800	230/460	56C	TSTAT	Y604*	56H17E5305	\$797	E3	3.0/1.5	45	13.97	

\* Stock Model

Contact Marathon Electric for other base speeds and options not shown in this catalog.

# Blue Max® 2000 Vector Duty, 2000:1 Constant Torque

## Totally Enclosed Rigid Base, and C-Face with Rigid Base

**Applications:** Designed for inverter or vector applications where up to a 2000:1 constant torque speed range is required. Typical uses include: material handling, machine tools, conveyors, crane and hoist, metal processing, test stands, pumps, compressors, textile processing, and other industrial machinery installed in dusty or dirty environments where cast iron construction is required.



**Features:**

- MAX GUARD® Class H insulation system (Class H on catalog models only)
- Constant torque operation from 0 to base speed on vector drive, including TEFC (On Volts/Hertz drives, TEFC motors are limited to 20:1 constant torque)
- Constant HP operation to twice base speed (143-256 frame); 1.5 times base (all others)
- Optimized for operation with IGBT inverter
- C-Face foot mount through 100 HP (as noted)
- Normally closed thermostats (one per phase, class F)
- Continuous duty at 40°C ambient
- 1.0 Service Factor ("B" rise on TEBC motors)
- Blue Chip quality, cast iron frame and brackets
- Patented "fracket" design (TEBC enclosure)
- Ball Bearings (roller bearing available 360 Frame & larger)
- Field reversible to F2
- Encoder provisions included on opposite drive end (see Modification and/or Accessory Kits sections)
- UL Recognized, CSA Certified, and CE Marked
- Three year warranty



HP	RPM	VOLTS	ENCL	FRAME	CAT. NO.	MODEL NO.	LIST PRICE	MULT. SYMB.	F.L. AMPS	APPROX. WGT. LBS.	"C" DIM.	FOOT NOTES
1	1800	230/460	TENV	143TC	Y525★	143THTN8028	\$938	E3	3.0/1.5	61	13.68	B
1 1/2	1800	230/460	TENV	145TC	Y590★	145THTN8037	\$943	E3	4.6/2.3	63	14.68	
2	1800	230/460	TENV	145TC	Y526★	145THTN8029	\$1,016	E3	6.0/3.0	70	14.68	
3	1800	230/460	TENV	182TC	Y527★	182THTS8028	\$1,276	E3	8.0/4.0	110	16.68	
5	1800	230/460	TENV	184TC	Y564★	184THTS8028	\$1,427	E3	13.4/6.7	117	17.68	
7 1/2	1800	230/460	TEFC	213TC	Y595★	213THFS8028	\$1,669	E3	19.4/9.7	183	21.03	
	1800	230/460	TENV	213TC	Y565★	213THTS8038	\$1,922	E3	21.0/10.5	180	20.56	
10	1800	230/460	TEFC	215TC	Y596★	215THFS8029	\$1,994	E3	25.4/12.7	211	22.53	
	1800	230/460	TENV	215TC	Y566★	215THTS8038	\$2,280	E3	26.0/13.0	290	22.74	
15	1800	230/460	TEFC	254TC	Y597★	254THFNA8038	\$2,402	E3	37.0/18.5	339	26.34	
	1800	230/460	TENV	254TC	Y509★	254THTNA8058	\$2,729	E3	40.4/20.2	350	23.38	
	1200	230/460	TEBC	284TC	Y395	284THFPA8086	\$5,354	E3	40.0/20.0	480	37.48	94
20	1800	230/460	TEFC	256TC	Y598★	256THFNA8038	\$2,658	E3	52.0/26.0	375	28.09	
	1800	230/460	TENV	256TC	Y510★	256THTNA8038	\$3,777	E3	52.0/26.0	300	27.13	
	1200	230/460	TEBC	286TC	Y582★	286THFPA8086	\$6,921	E3	52.4/26.2	660	38.98	94
25	1800	230/460	TEFC	284T	Y569★	284THFPA8028	\$3,319	E3	63.0/31.5	393	28.58	
	1800	230/460	TEBC	284TC	Y511★	284THFPA8038	\$4,639	E3	63.0/31.5	500	37.48	94
	1200	230/460	TEBC	324TC	Y583★	324THFPA8086	\$8,141	E3	67.0/33.5	723	40.41	d,B,94
30	1800	230/460	TEFC	286T	Y570★	286THFNA8028	\$3,794	E3	77.0/38.5	594	29.91	
	1800	230/460	TEBC	286TC	Y512★	286THFPA8038	\$5,114	E3	74.0/37.0	520	38.98	94
	1200	230/460	TEBC	326TC	Y584★	326THFPA8086	\$8,956	E3	80.4/40.2	750	41.91	B,94
40	1800	230/460	TEFC	324T	Y571★	324THFPA8028	\$4,913	E3	100/50.0	690	30.71	
	1800	230/460	TEBC	324TC	Y513★	324THFPA8038	\$6,126	E3	100/50.0	700	40.41	94
	1200	230/460	TEBC	364TC	Y585★	364THFS8391	\$10,804	E3	107/53.5	1011	42.67	94
50	1800	230/460	TEFC	326T	Y572★	326THFS8028	\$6,078	E3	121/60.5	640	32.44	
	1800	230/460	TEBC	326TC	Y514★	326THFPA8038	\$7,023	E3	120/60.0	750	41.91	94
	1200	230/460	TEBC	365TC	Y586★	365THFS8380	\$12,951	E3	130/65.0	1081	43.78	94
60	1800	230/460	TEFC	364T	Y573★	364THFS8036	\$7,834	E3	147/73.5	965	33.70	
	1800	230/460	TEBC	364TC	Y515★	364THFS8046	\$8,598	E3	147/73.5	1062	42.67	94
	1200	230/460	TEBC	404TC	Y587★	404THFS8092	\$14,367	E3	142/71.0	1339	48.22	94
75	1800	230/460	TEFC	365T	Y574★	365THFS8036	\$8,875	E3	184/92.0	1006	34.69	
	1800	230/460	TEBC	365TC	Y516★	365THFS8046	\$10,278	E3	180/90.0	1106	43.67	94
	1200	230/460	TEBC	405TC	Y588★	405THFS8378	\$17,505	E3	180/90.0	1350	49.72	B,94

Blue shaded areas are Cast Iron Frames

★ Stock Model

**Footnotes:**

d To be discontinued after current stock is gone

B NEMA Design B

94 Separate power supply required for blower motor

# Blue Max® 2000 Vector Duty, 2000:1 Constant Torque

Totally Enclosed Rigid Base, and C-Face with Rigid Base

HP	RPM	VOLTS	ENCL	FRAME	CAT. NO.	MODEL NO.	LIST PRICE	MULT. SYMB.	F.L. AMPS	APPROX. WGT. LBS.	"C" DIM.	FOOT NOTES
100	1800	230/460	TEFC	405T	Y575★	405THFS8036	\$12,009	E3	230/115	1308	39.32	
	1800	230/460	TEBC	405TC	Y517★	405THFS8046	\$14,347	E3	230/115	1429	49.72	94
	1200	230/460	TEBC	444TC	Y589★	444THFN8384	\$20,092	E3	250/125	2150	52.72	B,94
125	1800	460	TEFC	444T	Y576★	444THFN8036	\$15,805	E3	143	2062	43.27	
	1800	460	TEBC	444T	Y518★	444THFN8046	\$18,283	E3	138	2110	52.72	B,94
150	1800	460	TEFC	445T	Y577★	445THFN8036	\$18,248	E3	170	2246	45.27	
	1800	460	TEBC	445T	Y519★	445THFN8046	\$20,725	E3	170	2321	54.72	94
200	1800	460	TEFC	445T	Y578★	445THFN8040	\$22,027	E3	230	2404	45.27	
	1800	460	TEBC	445T	Y520★	445THFN8050	\$24,504	E3	230	2457	54.72	94
250	1800	460	TEFC	449T	Y579	449THFS8036	\$27,437	E3	280	2800	53.89	CT
	1800	460	TEBC	449T	Y531★	449THFS8046	\$30,693	E3	295	2880	63.21	94
300	1800	460	TEFC	449T	Y580	449THFS8037	\$31,240	E3	330	2890	53.89	CT
	1800	460	TEBC	449T	Y532★	449THFS8047	\$34,496	E3	327	2950	63.21	94
350	1800	460	TEBC	449T	Y533★	449THFS8048	\$37,753	E3	385	3099	63.21	94

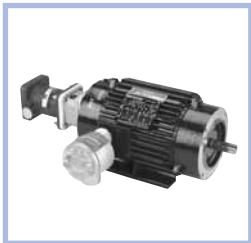
Blue shaded areas are Cast Iron Frames

★ Stock Model

# Blue Max® 2000 Vector Duty, 2000:1 Constant Torque

Explosion Proof, Class I Group D, (Group C as noted) Class II Groups F & G

Totally Enclosed Non-Ventilated, C-Face with Rigid Base and Encoder



**Applications:** Designed for industrial applications with Vector Drives where up to a 2000:1 constant torque speed range and/or precise speed or torque regulation is required, including positioning equipment. Used in dirty, dusty or caustic environments where cast iron construction is required, and installed in hazardous environments as defined by the motor's explosion proof class and group rating. Consult the National Electrical Code and your local regulations for the proper selection of motors in hazardous locations.

**Features:**

- BEI H38 explosion proof encoder 1024 ppr, Class I Groups C & D, Class II Groups E, F, G included
- MAX GUARD® Class F insulation system
- Constant torque operation from 0 to base speed on vector drive
- Constant HP operation up to twice base speed
- Continuous duty at 40°C ambient
- Optimized for operation with IGBT inverter (NEMA Design A)
- Normally closed thermostats (one per phase, Class F)
- Ball Bearings
- Cast iron frame and brackets
- F1 standard, NOT field reversible to F2
- CSA Certified, under file #LR47504 and #LR21839
- UL Listed, temperature code T3C, under file #E12044
- Three year warranty



INVERTER DUTY

HP	RPM	VOLTS	FRAME	OVER LOAD	CAT. NO.	MODEL NO.	LIST PRICE	MULT. SYMB.	F.L. AMPS	APPROX. WGT. LBS.	"C" DIM.	FOOT NOTES
1	1800	230/460	143TC	TSTAT	Y978★	143THEN8034	\$5,435	E3	3.0/1.5	84	21.44	CD
2	1800	230/460	145TC	TSTAT	Y979★	145THEN8034	\$5,549	E3	5.8/2.9	90	21.44	CD
3	1800	230/460	182TC	TSTAT	Y980★	182THES8048	\$5,728	E3	8.2/4.1	168	24.82	CD
5	1800	230/460	213TC	TSTAT	Y981★	213THES8053	\$6,026	E3	13.0/6.5	225	27.42	
7 1/2	1800	230/460	254TC	TSTAT	Y982★	254THEN8058	\$6,853	E3	25.0/12.5	260	30.20	CD
10	1800	230/460	254TC	TSTAT	Y983★	254THEN8059	\$7,180	E3	27.0/13.5	390	30.20	CD
15	1800	230/460	256TC	TSTAT	Y984	256THEN17031	\$7,506	E3	36.0/18.0	450	31.95	CD
20	1800	230/460	284TC	TSTAT	Y985	284THEN8032	\$8,285	E3	57.6/28.8	555	33.16	CD

Blue shaded areas are cast iron frames.

★ Stock Model

**Footnotes:**

B NEMA Design B  
CD Suitable for Group C

CT Suitable for 20:1 CT on Vector Drive, continuous duty or 2000:1 CT, 60 minute duty.  
94 Separate power supply required for blower motor



# Blue Max® Vector Duty 2000:1 Constant Torque Brakemotors

## Totally Enclosed Non-Ventilated, C-Face with Rigid Base

**Applications:** Designed for vector applications where up to a 2000:1 constant torque speed range is required. For use on Conveyors, Machine tools, Cranes, Hoists, and other industrial machinery requiring quick stop and/or holding torque.



- Features:**
- MAX GUARD® Class F insulation system
  - Constant torque operation from 0 to base speed on vector drive
  - Constant HP operation to twice base speed
  - Optimized for operation with IGBT inverter (NEMA Design A)
  - Normally closed thermostats (one per phase, Class F)
  - Ball Bearings
  - Continuous duty at 40°C ambient
  - Will accept encoder through Mod Central (see mod 24 for encoder mounting)
  - Includes 140% rated spring-set self-adjusting NEMA 2 disk brake (Brake coil voltage matches motor)
  - Horizontal mounting (see comment below and Mod Central for vertical mounting)
  - UL Recognized, CSA Certified, and CE Marked
  - Three year warranty (brake disks exempt)



HP	RPM	VOLTS	FRAME	CAT. NO.	MODEL NO.	LIST PRICE	MULT. SYMB.	F.L. AMPS	APPROX. WGT. LBS.	"C" DIM.	BRAKE TQ. (LB/FT)
1	1800	230/460	143TC	Y986★	143THTN8036	\$1,696	E3	3.0/1.5	67	17.00	6
2	1800	230/460	145TC	Y987★	145THTN8043	\$1,889	E3	6.0/3.0	77	18.00	10
3	1800	230/460	182TC	Y988★	182THTS8048	\$2,473	E3	8.2/4.1	120	19.67	15
5	1800	230/460	184TC	Y989★	184THTS8056	\$2,981	E3	13.4/6.7	131	25.58	25
7 1/2	1800	230/460	213TC	Y990★	213THTS8071	\$3,736	E3	21.0/10.5	250	27.58	35
10	1800	230/460	215TC	Y991★	215THTS8071	\$4,440	E3	26.0/13.0	332	28.83	50
15	1800	230/460	254TC	Y992★	254THTNA8071	\$5,642	E3	40.5/20.2	350	31.53	75
20	1800	230/460	256TC	Y993★	256THTNA8071	\$7,478	E3	52.0/26.0	390	33.28	105

Blue shaded areas are Cast Iron Frames

★ Stock Model

Multiplier Symbol E3

**1024 ppr Encoders through MOD Central**

BRAND	MODEL	CAT. NO.	KIT NUMBER	LIST KIT ONLY	LIST INSTALLED	FITS BRAKEMOTOR CAT. NO.
Avtron	M56	A748★	KIT M561024BRK-140	\$2,038	\$2,338	Y986, Y987
		A749★	KIT M561024BRK-182	\$2,038	\$2,338	Y988
	M85	A750★	KIT M851024BRK-184	\$2,750	\$3,050	Y989
		A751★	KIT M851024BRK-210	\$2,750	\$3,050	Y990, Y991
NorthStar	SL56	A786★	KIT LKSR-CFACE	\$2,241	\$2,541	Y986, Y987
		A789★	KIT SL561024-182NV	\$2,241	\$2,541	Y988
	SL85	A790★	KIT SL851024-184NV	\$2,750	\$3,050	Y989
		A791★	KIT SL851024-210NV	\$2,750	\$3,050	Y990, Y991
		A792★	KIT SL851024-250NV	\$2,750	\$3,050	Y992, Y993

★ Stock Model

Vertical Mounting: 5 HP (184) and lower are suitable for shaft up or down.

7-1/2 HP (213) and larger, need vertical modification Cat #: A157, KIT VRT87BRK (SEE MOD SECTION)

CAT. NO.	MODEL NO.	LIST KIT ONLY	LIST INSTALLED
A157	KIT VRT87BRK	\$375	\$493

INVERTER DUTY

# DC Permanent Magnet SCR Rated, Totally Enclosed

## C-Face with Removable Base



**Applications:** Conveyors, mixers, packaging machinery, and other applications requiring variable speed and constant torque. Widely used in applications requiring dynamic braking or adjustable speed/reversing capabilities.

- Features:**
- Class F insulation
  - NEMA C-Face with removable rigid base
  - Oversized brushes for extra long life
  - Permanently lubricated sealed ball bearings
  - Linear speed/torque characteristics over entire speed range
  - High starting torque, high peak current capability
  - Usable on PWM type DC adjustable speed drives at higher HP rating
  - Easy brush access with unique brush holder design
  - UL Recognized and CSA Certified

HP	RPM	DC VOLTS	FRAME	ENCL.	CAT. NO.	MODEL NO.	LIST PRICE	MULT. SYMB.	C.T. SPEED RANGE	F.L. AMPS	PWM HP RATING	APPROX. WGT. LBS.	"C" DIM.	FOOT NOTES
1/4	1750	90	56C	TEFC	Z602★	56E17F1001	\$463	D1	2:1	2.5	0.40	22	10.81	
	1750	180	56C	TEFC	Z603★	56E17F1002	\$463	D1	2:1	1.4	0.50	22	11.31	
1/3	1750	90	56C	TEFC	Z604★	56E17F1003	\$491	D1	2:1	3.5	0.50	23	11.31	
	1750	180	56C	TEFC	Z605★	56E17F1004	\$491	D1	2:1	1.7	0.50	23	11.31	
1/2	1750	90	56C	TEFC	Z606★	56E17F1005	\$547	D1	2:1	5.0	0.70	22	11.81	
	1750	180	56C	TEFC	Z607★	56E17F1006	\$547	D1	2:1	2.5	0.56	28	11.81	
3/4	1750	90	56C	TEFC	Z610★	56E17F1007	\$664	D1	2:1	7.6	1.00	39	13.81	
	1750	180	56C	TEFC	Z611★	56E17F1008	\$664	D1	2:1	3.8	1.00	39	13.81	
1	1750	90	56C	TEFC	Z612★	56E17F2005	\$811	D1	2:1	10.0	1.25	50	15.81	
	1750	180	56C	TEFC	Z613★	56E17F2006	\$811	D1	2:1	5.0	1.25	42	14.81	
1-1/2	1750	180	56C	TEFC	Z614★	56E17F2007	\$1,014	D1	2:1	7.6	1.75	56	16.81	
	1750	180	145TC	TEFC	Z615★	145TEFR5326	\$1,540	D1	2:1	7.5	1.50	73	18.34	
2	1750	180	145TC	TEFC	Z616★	145TEFR5327	\$1,837	D1	2:1	9.5	2.00	86	20.15	
	1750	180	182/145TC	TEFC	Z617★	182TEFR5326	\$1,837	D1	2:1	9.5	2.00	87	19.34	84

★ Stock Model

### SCR PMDC motors on PWM power supplies

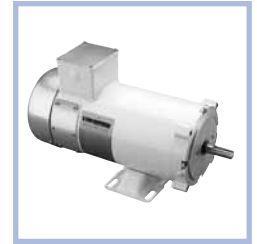
Pulse width modulated DC controls have a voltage output similar to pure direct current which has a form factor of 1.05. SCR thyristor drives have a form factor of 1.40. Marathon Electric's non-Explosion Proof PMDC, SCR-rated motors can also be used with PWM controls, and due to the lower form factor and the resultant lower heating in the motor, their rating can be increased as indicated above. Operation on PWM controls will also result in quieter operation and longer brush life.

#### Footnotes:

84 NEMA 145T C-Face mounting with removable 182T rigid base

# Washdown, DC Permanent Magnet SCR Rated, Totally Enclosed C-Face with Removable Base

**Applications:** Used in applications requiring regular washdown, such as in food processing plants, or in otherwise wet or humid environments in a variety of commercial and industrial applications such as conveyors, door openers, feeders and pumps.



- Features:**
- Class F insulation
  - NEMA C-Face with removable rigid base
  - Oversized brushes for extra long life
  - Doubled sealed, oversized ball bearings
  - Corrosion resistant 303 stainless steel shaft
  - "V" ring Forsheda seals
  - High temperature, moisture resistant lubricant
  - Exterior and interior components protected with enamel & polyester compounds
  - Aluminum conduit box, threaded and gasketed
  - Drains at 3:00, 6:00, 9:00 and 12:00 locations
  - Sealed machine fits
  - Stainless steel nameplate
  - USDA approved white epoxy paint
  - UL Recognized and CSA Certified

HP	RPM	DC VOLTS	FRAME	ENCL.	CAT. NO.	MODEL NO.	LIST PRICE	MULT. SYMB.	C.T. SPEED RANGE	F.L. AMPS	PWM HP RATING	APPROX. WGT. LBS.	"C" DIM.	FOOT NOTES
<b>1/4</b>	1750	90	56C	TENV	Z630★	56E17V2001	\$594	D1	20:1	2.7	0.30	23	10.69	
<b>1/3</b>	1750	90	56C	TENV	Z631★	56E17V2002	\$629	D1	20:1	3.5	0.56	30	11.69	
<b>1/2</b>	1750	90	56C	TENV	Z634★	56E17V2003	\$704	D1	20:1	4.9	0.75	38	13.69	
	1750	180	56C	TENV	Z635★	56E17V2004	\$704	D1	20:1	2.4	0.70	39	13.69	
<b>3/4</b>	1750	90	56C	TENV	Z636★	56E17V2005	\$854	D1	20:1	7.0	1.25	50	15.69	
	1750	180	56C	TENV	Z637★	56E17V2006	\$854	D1	20:1	3.5	1.25	35	15.69	
<b>1</b>	1750	90	56C	TEFC	Z638★	56E17W2001	\$1,042	D1	2:1	10.0	1.25	45	15.81	
	1750	180	56C	TEFC	Z639★	56E17W2002	\$1,042	D1	2:1	5.0	1.25	42	14.81	
<b>1-1/2</b>	1750	180	56C	TEFC	Z641★	56E17W2003	\$1,330	D1	2:1	7.6	1.75	50	16.81	

★ Stock Model

## SCR PMDC motors on PWM power supplies

Pulse width modulated DC controls have a voltage output similar to pure direct current which has a form factor of 1.05. SCR thyristor drives have a form factor of 1.40. Marathon Electric's non-Explosion Proof PMDC, SCR-rated motors can also be used with PWM controls, and due to the lower form factor and the resultant lower heating in the motor, their rating can be increased as indicated above. Operation on PWM controls will also result in quieter operation and longer brush life.

# Low Voltage, DC Permanent Magnet TENV and TEFC

## C-Face with Removable Base



**Applications:** Low voltage permanent magnet DC motors are suitable for installations having batteries or generator supplied low voltage DC.

- Features:**
- Permanently lubricated sealed ball bearings
  - NEMA C-Face with removable base
  - Class H insulation
  - Easy brush access with unique brush holder design
  - Oversized brushes for extra long life
  - High starting torque
  - U.L. Recognized and CSA Certified

HP	RPM	DC VOLTS	FRAME	BRGS.	CAT. NO.	MODEL NO.	LIST PRICE	MULT. SYMB.	F.L. AMPS	APPROX. WGT. LBS.	"C" DIM.	FOOT NOTES
<b>1/4</b>	1750	12	56C	TENV	Z660*	56E17T2001	\$498	D1	21.0	24	10.44	85
<b>1/3</b>	1750	12	56C	TENV	Z662*	56E17T2002	\$548	D1	27.0	24	11.44	85
	1750	24	56C	TENV	Z663*	56E17T2003	\$524	D1	13.5	25	10.94	85
<b>1/2</b>	1750	12	56C	TENV	Z664*	56E17T2004	\$569	D1	39.0	30	12.44	85
	1750	24	56C	TENV	Z665*	56E17T2005	\$544	D1	20.0	29	11.94	d,85
<b>3/4</b>	1750	12	56C	TEFC	Z666*	56E17F2008	\$629	D1	58.0	30	13.81	
	1750	24	56C	TEFC	Z667*	56E17F2009	\$568	D1	29.0	30	12.81	85
<b>1</b>	1750	12	56C	TEFC	Z668*	56E17F2010	\$749	D1	80.0	42	13.81	
	1750	24	56C	TEFC	Z669*	56E17F2011	\$690	D1	39.0	40	13.81	d,85

\* Stock Model

**Footnotes:**

- d To be discontinued after current stock is gone
- 85 Not tach adaptable

# REGAL-BELOIT SpinMaster® AC Adjustable Speed Drives

Constant Torque, Micro Inverter

**Applications:** Constant torque or constant horsepower applications. Typical applications include conveyors, packaging machinery, machine tool, printing equipment, and specialty equipment.

- Features:**
- Current limit to 180% with frequency foldback
  - Adjustable carrier frequency
  - Independent accel and decel adjustment
  - Adjustable DC injection braking
  - Programmable inputs
  - Fixed boost for high starting torque
  - UL Listed and UL Certified for Canada under File No. E197830
  - IP20 enclosure
  - Unlimited lead length with microMAX™, Black Max® or Blue Max®, AC motor
  - 2 year warranty



**REGAL-BELOIT**  
SpinMaster®

AC DRIVES

## Single Phase Input / Three Phase Output

HP / kW	INPUT VOLTAGE	INPUT AMPS	OUTPUT AMPS 230 VAC	CAT. NO.	LIST PRICE	MULT. SYMB.	APPROX. WGT. LBS.	HEIGHT	WIDTH	DEPTH	FOOT NOTES
								IN / MM	IN / MM	IN / MM	
<b>.33 / .25</b>	120	6.8	1.7	T201★	\$345	D3	1.5	5.75/146	3.66/93	3.26/83	
<b>.5 / .37</b>	120	9.2	2.4	T202★	\$375	D3	1.5	5.75/146	3.66/93	3.26/83	
<b>1 / .75</b>	120	16.6	4.2	T204★	\$498	D3	2.7	5.75/146	4.52/115	4.88/124	
<b>1.5 / 1.1</b>	120	24.0	6.0	T205★	\$565	D3	3.0	5.75/146	4.52/115	4.88/124	

★ Stock Model

## Single Phase Input / Three Phase Output

HP / kW	INPUT VOLTAGE	INPUT AMPS	OUTPUT AMPS	CAT. NO.	LIST PRICE	MULT. SYMB.	APPROX. WGT. LBS.	HEIGHT	WIDTH	DEPTH	FOOT NOTES
								IN / MM	IN / MM	IN / MM	
<b>.33 / .25</b>	208/240	3.9/3.4	1.9/1.7	T211★	\$320	D3	2.0	5.75/146	3.66/93	3.26/83	d
<b>.5 / .37</b>	208/240	5.8/5.0	2.8/2.4	T212★	\$337	D3	2.0	5.75/146	3.66/93	3.26/83	
<b>.75 / .55</b>	208/240	6.9/6.0	3.7/3.2	T213	\$356	D3	2.6	5.75/146	3.66/93	3.63/92	
<b>1 / .75</b>	208/240	10.6/9.2	4.8/4.2	T214★	\$375	D3	3.6	5.75/146	3.66/93	3.63/92	
<b>1.5 / 1.1</b>	208/240	13.9/12.0	6.9/6.0	T215★	\$452	D3	4.0	5.75/146	4.52/115	4.88/124	
<b>2 / 1.5</b>	208/240	18.4/16.0	8.1/7.0	T216★	\$530	D3	4.1	5.75/146	4.52/115	4.88/124	
<b>3 / 2.2</b>	208/240	24.0/21.0	11.0/9.6	T217★	\$624	D3	4.9	5.75/146	4.52/115	5.53/140	

★ Stock Model

## Three Phase Input / Three Phase Output

HP / kW	INPUT VOLTAGE	INPUT AMPS	OUTPUT AMPS	CAT. NO.	LIST PRICE	MULT. SYMB.	APPROX. WGT. LBS.	HEIGHT	WIDTH	DEPTH	FOOT NOTES
								IN / MM	IN / MM	IN / MM	
<b>.5 / .37</b>	208/240	3.1/2.7	2.8/2.4	T222★	\$320	D3	1.4	5.75/146	3.66/93	3.26/83	
<b>1 / .75</b>	208/240	5.8/5.1	4.8/4.2	T224★	\$355	D3	1.7	5.75/146	3.66/93	3.63/92	
<b>1.5 / 1.1</b>	208/240	8.0/6.9	6.9/6.0	T225★	\$422	D3	2.4	5.75/146	3.66/93	5.56/141	
<b>2 / 1.5</b>	208/240	9.1/7.9	8.1/7.0	T226★	\$481	D3	2.5	5.75/146	3.66/93	5.56/141	
<b>3 / 2.2</b>	208/240	12.4/10.8	11.0/9.6	T227★	\$533	D3	3	5.75/146	4.52/115	5.53/140	
<b>5 / 3.7</b>	208/240	19.6/17.1	17.5/15.2	T228★	\$680	D3	4.6	5.75/146	4.52/115	6.74/171	96
<b>7.5 / 5.5</b>	208/240	28.0/25.0	25.0/22.0	T229	\$939	D3	7.3	7.75/197	5.76/147	7.18/182	96
<b>10 / 7.5</b>	208/240	34.0/32.0	30.0/28.0	T220	\$1,167	D3	7.5	7.75/197	5.76/147	7.18/182	96
<b>15 / 11</b>	208/240	54.0/48.0	48.0/42.0	T221	\$1,720	D3	13.0	9.75/248	7.68/195	8.00/203	96
<b>.5 / .37</b>	480	1.4	1.1	T232★	\$427	D3	2.0	5.75/146	3.66/93	3.94/100	
<b>1 / .75</b>	480	2.5	2.1	T234★	\$457	D3	2.4	5.75/146	3.66/93	4.74/120	
<b>1.5 / 1.1</b>	480	3.6	3.0	T235★	\$496	D3	2.9	5.75/146	3.66/93	5.74/146	
<b>2 / 1.5</b>	480	4.0	3.4	T236★	\$529	D3	3.1	5.75/146	3.66/93	5.74/146	
<b>3 / 2.2</b>	480	5.4	4.8	T237★	\$581	D3	3.2	5.75/146	4.52/115	5.74/146	
<b>5 / 3.7</b>	480	8.8	7.8	T238★	\$695	D3	4.6	5.75/146	4.52/115	6.74/171	96
<b>7.5 / 5.5</b>	480	12.4	11	T239	\$903	D3	7.2	5.75/146	4.52/115	6.74/171	96
<b>10 / 7.5</b>	480	15.8	14	T230	\$1,167	D3	7.5	7.75/197	5.76/147	7.18/182	96
<b>15 / 11</b>	480	24.0	21	T231	\$1,272	D3	8.0	7.75/197	5.76/147	7.18/182	96

**Footnotes:**

- d To be discontinued after current stock is gone
- 96 Drive has cooling fan

★ Stock Model



# REGAL-BELOIT SpinMaster® Plus AC Adjustable Speed Drives

## Constant Torque, Micro Inverter



**REGAL-BELOIT**  
*SpinMaster® plus*

**Applications:** Constant torque or constant horsepower applications. Typical applications include conveyors, packaging machinery, machine tool, printing equipment, and specialty equipment.

- Features:**
- Current limit to 180% with frequency foldback
  - Adjustable carrier frequency
  - Independent accel and decel adjustment
  - RS-485 Communications
  - Adjustable DC injection braking
  - Programmable inputs
  - MODBUS protocol
  - Fixed boost for high starting torque
  - UL Listed and UL Certified for Canada under File No. E197830
  - IP20 enclosure
  - Unlimited lead length with microMAX™, Black Max® or Blue Max®, AC motor
  - 2 year warranty

### Single or Three Phase Input / Three Phase Output

HP / kW	INPUT PHASE	INPUT VOLTAGE	INPUT AMPS	OUTPUT AMPS	CAT. NO.	LIST PRICE	MULT. SYMB.	APPROX. WGHT. LBS.	HEIGHT	WIDTH	DEPTH	FOOT NOTES
									IN / MM	IN / MM	IN / MM	
<b>.25 / .20</b>	1	208/240	3.6/3.2	1.6/1.4	T310★	\$507	D3	1.9	5.75/146	3.66/93	3.94/100	
	3		1.9/1.7									
<b>.5 / .37</b>	1	208/240	5.4/4.7	2.5/2.2	T312★	\$529	D3	1.9	5.75/146	3.66/93	3.94/100	
	3		3.1/2.7									
<b>1 / .75</b>	1	208/240	10.6/9.2	4.8/4.2	T314	\$570	D3	2.5	5.75/146	3.66/93	4.74/120	
	3		5.8/5.1									
<b>1.5 / 1.1</b>	1	208/240	13.9/12.0	6.9/6.0	T315	\$677	D3	3.5	5.75/146	4.52/115	5.24/133	
	3		8.0/6.9									
<b>2 / 1.5</b>	1	208/240	14.8/12.9	7.8/6.8	T316	\$749	D3	4.5	5.75/146	4.52/115	6.74/171	
	3		9.1/7.9									
<b>3 / 2.2</b>	1	208/240	19.7/17.1	11.0/9.6	T317	\$910	D3	4.8	5.75/146	4.52/115	6.74/161	96
	3		12.4/10.8									
<b>5 / 3.7</b>	1	208/240	29/26	17.5/15.2	T318★	\$1,247	D3	7.6	7.75/197	5.78/147	7.18/182	96
	3		19.6/17.1									

★ Stock Model

### Three Phase Input / Three Phase Output

HP / kW	INPUT VOLTAGE	INPUT AMPS	OUTPUT AMPS	CAT. NO.	LIST PRICE	MULT. SYMB.	APPROX. WGHT. LBS.	HEIGHT	WIDTH	DEPTH	FOOT NOTES
								IN / MM	IN / MM	IN / MM	
<b>1 / 0.75</b>	208/240	5.8/5.1	4.8/4.2	T324★	\$525	D3	2.5	5.75/146	3.66/93	4.74/120	
<b>1.5 / 1.1</b>	208/240	8.0/6.9	6.9/6.0	T325★	\$618	D3	3	5.75/146	3.66/93	5.74/146	
<b>2 / 1.5</b>	208/240	9.1/7.9	7.8/6.8	T326★	\$681	D3	3.1	5.75/146	3.66/93	5.74/146	96
<b>3 / 2.2</b>	208/240	12.4/10.8	11.0/9.6	T327★	\$812	D3	3.2	5.75/146	3.66/93	5.74/146	96
<b>5 / 3.7</b>	208/240	19.6/17.1	17.5/15.2	T328★	\$1,045	D3	4.6	5.75/146	4.52/115	6.74/171	96
<b>7.5 / 5.5</b>	208/240	28.0/25.0	25.0/22.0	T329★	\$1,427	D3	7.3	7.75/197	5.78/147	7.18/182	96
<b>10 / 7.5</b>	208/240	34.0/32.0	30.0/28.0	T330★	\$1,705	D3	7.5	7.75/197	5.78/147	7.18/182	96
<b>15 / 11</b>	208/240	54.0/48.0	48.0/42.0	T331★	\$2,209	D3	13	9.75/248	7.68/195	8.00/203	96
<b>20 / 15</b>	208/240	65.0/61.0	58.0/54.0	T333	\$2,710	D3	13.5	9.75/248	7.68/195	8.00/203	96

★ Stock Model

Continued on next page.

**Footnotes:**

96 Drive has cooling fan

# REGAL-BELOIT SpinMaster® Plus AC Adjustable Speed Drives

Constant Torque, Micro Inverter

Three Phase Input / Three Phase Output

HP / kW	INPUT VOLTAGE	INPUT AMPS	OUTPUT AMPS	CAT. NO.	LIST PRICE	MULT. SYMB.	APPROX. WGT. LBS.	HEIGHT	WIDTH	DEPTH	FOOT NOTES
								IN / MM	IN / MM	IN / MM	
<b>.5 / .37</b>	480	1.4	1.1	T332★	\$591	D3	1.9	5.75/146	3.66/93	3.94/100	
<b>1 / .75</b>	480	2.5	2.1	T334★	\$637	D3	2.4	5.75/146	3.66/93	4.74/120	
<b>1.5 / 1.1</b>	480	3.6	3.0	T335★	\$696	D3	2.9	5.75/146	3.66/93	5.74/146	
<b>2 / 1.5</b>	480	4.0	3.4	T336★	\$768	D3	3.1	5.75/146	3.66/93	5.74/146	
<b>3 / 2.2</b>	480	5.4	4.8	T337★	\$858	D3	3.2	5.75/146	3.66/93	5.74/146	96
<b>5 / 3.7</b>	480	8.6	7.6	T338★	\$1,094	D3	4.6	5.75/146	4.52/115	6.74/171	96
<b>7.5 / 5.5</b>	480	12.4	11.0	T339★	\$1,427	D3	7.2	7.75/197	5.78/147	7.18/182	96
<b>10 / 7.5</b>	480	15.8	14.0	T340★	\$1,705	D3	7.5	7.75/197	5.78/147	7.18/182	96
<b>15 / 11</b>	480	24.0	21.0	T341★	\$2,166	D3	13.3	9.75/248	7.68/195	8.00/203	96
<b>20 / 15</b>	480	31.0	27.0	T342★	\$2,652	D3	13.5	9.75/248	7.68/195	8.00/203	96
<b>25 / 18.5</b>	480	38.0	34.0	T343★	\$3,156	D3	13.8	9.75/248	7.68/195	8.00/203	96
<b>30 / 22.4</b>	480	45.0	40.0	T344	\$3,669	D3	14.5	9.75/248	7.68/195	8.00/203	96
<b>1 / 0.75</b>	575	2.0	1.7	T354	\$681	D3	2.4	5.75/146	3.66/93	4.74/120	
<b>2 / 1.5</b>	575	3.5	3.0	T356	\$816	D3	3.1	5.75/146	3.66/93	5.74/146	
<b>3 / 2.2</b>	575	4.7	4.2	T357	\$969	D3	4.1	5.75/146	4.52/115	6.74/171	
<b>5 / 3.7</b>	575	7.4	6.6	T358	\$1,185	D3	4.7	5.75/146	4.52/115	6.74/171	96
<b>7.5 / 5.5</b>	575	11.2	9.9	T359	\$1,539	D3	7.1	7.75/197	5.78/147	7.18/182	96
<b>10 / 7.5</b>	575	13.7	12.2	T360	\$1,824	D3	7.4	7.75/197	5.78/147	7.18/182	96
<b>15 / 11</b>	575	22.0	19.0	T361	\$2,389	D3	13.3	9.75/248	7.68/195	8.00/203	96
<b>20 / 15</b>	575	27.0	24.0	T362	\$2,922	D3	13.5	9.75/248	7.68/195	8.00/203	96
<b>25 / 18.5</b>	575	31.0	27.0	T363	\$3,456	D3	13.8	9.75/248	7.68/195	8.00/203	96

★ Stock Model

**Footnotes:**

96 Drive has cooling fan

# REGAL-BELOIT SpinMaster® VMax AC Adjustable Speed Drives

## Constant Torque, Micro Inverter



REGAL-BELOIT  
SpinMaster® VMax

**Applications:** Constant torque or constant horsepower applications. Typical applications include conveyors, packaging machinery, machine tool, printing equipment, and specialty equipment.

- Features:**
- Current limit to 200% with frequency foldback
  - Full output torque at 1Hz
  - Auto Tuning
  - Independent accel and decel adjustment
  - Adjustable DC injection braking
  - Programmable inputs/outputs
  - UL Listed and UL Certified for Canada under File No. E197830
  - IP20 enclosure
  - Unlimited lead length with microMAX™, Black Max® or Blue Max®, AC motor
  - 2 year warranty

### Single or Three Phase Input / Three Phase Output

HP / kW	INPUT PHASE	INPUT VOLTAGE	INPUT AMPS	OUTPUT AMPS	CAT. NO.	LIST PRICE	MULT. SYMB.	APPROX. WGHT. LBS.	HEIGHT	WIDTH	DEPTH	FOOT NOTES
									IN / MM	IN / MM	IN / MM	
<b>.5 / .37</b>	1	208/240	5.4/4.7	2.5/2.2	T2112★	\$532	D3	2	5.75/146	3.64/93	3.94/100	
	3		3.1/2.7									
<b>1 / .75</b>	1	208/240	10.6/9.2	4.8/4.2	T2114★	\$599	D3	2.5	5.75/146	3.64/93	4.74/120	
	3		5.8/5.1									
<b>1.5 / 1.1</b>	1	208/240	13.9/12.0	6.9/6.0	T2115★	\$711	D3	3.5	5.75/146	4.52/115	5.24/133	
	3		8.0/6.9									
<b>2 / 1.5</b>	1	208/240	14.8/12.9	7.8/6.8	T2116★	\$786	D3	4.5	5.75/146	4.52/115	6.74/171	
	3		9.1/7.9									
<b>3 / 2.2</b>	1	208/240	19.7/17.1	11.0/9.6	T2117★	\$956	D3	5	5.75/146	4.52/115	6.74/161	96
	3		12.4/10.8									

★ Stock Model

### Three Phase Input / Three Phase Output

HP / kW	INPUT VOLTAGE	INPUT AMPS	OUTPUT AMPS	CAT. NO.	LIST PRICE	MULT. SYMB.	APPROX. WGHT. LBS.	HEIGHT	WIDTH	DEPTH	FOOT NOTES
								IN / MM	IN / MM	IN / MM	
<b>1 / 0.75</b>	208/240	5.8/5.1	4.8/4.2	T2214★	\$551	D3	2.5	5.75/146	3.66/93	4.74/120	
<b>1.5 / 1.1</b>	208/240	8.0/6.9	6.9/6.0	T2215★	\$649	D3	3	5.75/146	3.66/93	5.74/146	
<b>2 / 1.5</b>	208/240	9.1/7.9	7.8/6.8	T2216★	\$715	D3	3.1	5.75/146	4.52/115	6.74/171	96
<b>3 / 2.2</b>	208/240	12.4/10.8	11.0/9.6	T2217★	\$853	D3	3.2	5.75/146	4.52/115	6.74/171	96
<b>5 / 3.7</b>	208/240	19.6/17.1	17.5/15.2	T2218★	\$1,097	D3	4.6	5.75/146	4.52/115	6.74/171	96
<b>7.5 / 5.5</b>	208/240	28.0/25.0	25.0/22.0	T2219★	\$1,498	D3	7.3	7.75/197	5.78/147	7.18/182	96
<b>10 / 7.5</b>	208/240	34.0/32.0	30.0/28.0	T2220★	\$1,790	D3	7.5	7.75/197	5.78/147	7.18/182	96
<b>.5 / 0.37</b>	480	1.4	1.1	T2412★	\$621	D3	1.9	5.75/146	3.66/93	4.74/120	
<b>1 / 0.75</b>	480	2.5	2.1	T2414★	\$669	D3	2.4	5.75/146	3.66/93	4.74/120	
<b>1.5 / 1.1</b>	480	3.6	3.0	T2415★	\$731	D3	2.9	5.75/146	3.66/93	5.74/146	
<b>2 / 1.5</b>	480	4.0	3.4	T2416★	\$806	D3	3.1	5.75/146	3.66/93	5.74/146	96
<b>3 / 2.2</b>	480	5.4	4.8	T2417★	\$901	D3	3.2	5.75/146	3.66/93	5.74/146	96
<b>5 / 3.7</b>	480	8.8	7.6	T2418★	\$1,149	D3	4.6	5.75/146	4.52/115	6.74/171	96
<b>7.5 / 5.5</b>	480	12.4	11.0	T2419★	\$1,498	D3	7.2	7.75/197	5.78/147	7.18/182	96
<b>10 / 7.5</b>	480	15.8	14.0	T2420★	\$1,790	D3	7.5	7.75/197	5.78/147	7.18/182	96
<b>1 / 0.75</b>	575	2.0	1.7	T2514★	\$715	D3	2.4	5.75/146	4.52/115	5.24/133	
<b>2 / 1.5</b>	575	3.5	3.0	T2516★	\$857	D3	3.1	5.75/146	4.52/115	6.74/171	
<b>3 / 2.2</b>	575	4.7	4.2	T2517★	\$1,017	D3	4.1	5.75/146	4.52/115	6.74/171	96
<b>5 / 3.7</b>	575	7.4	6.6	T2518★	\$1,244	D3	4.7	5.75/146	4.52/115	6.74/171	96
<b>7.5 / 5.5</b>	575	11.2	9.9	T2519★	\$1,616	D3	7.1	7.75/197	5.76/147	7.18/182	96
<b>10 / 7.5</b>	575	13.7	12.2	T2520★	\$1,915	D3	7.4	7.75/197	5.76/147	7.18/182	96

★ Stock Model

**Footnotes:**

96 Drive has cooling fan

# REGAL-BELOIT SpinMaster®, SpinMaster® Plus and SpinMaster® VMax AC Adjustable Speed Drives

## Product Feature Directory

FEATURE DESCRIPTION	SpinMaster®	SpinMaster® Plus	SpinMaster® VMAX
<b>GENERAL DESIGN FEATURES</b>			
<b>RATINGS &amp; SPECIFICATIONS</b>			
INPUT VOLTAGE / HP RANGE 1Ø 20 Vac (+10%,-15%) 1Ø or 3 Ø 208/240 Vac 3 Ø 400/480 Vac 3 Ø 480/590 Vac	<b>0.33 - 1.5 Hp (0.25 - 1.1 kW)</b> 0.33 - 15 Hp (0.25 - 11 kW) 0.5 - 15 Hp (0.37 - 11 kW) N/A	N/A 0.25 - 20Hp (0.18 - 15kW) 0.5 - 30 Hp (0.37 - 22 kW) 1 - 25Hp (0.75 - 18.5kW)	N/A 0.5 - 10 Hp (0.37 - 7.5 kW) 0.5 - 10 Hp (0.37 - 7.5 kW) 0.5 - 10 Hp (0.37 - 7.5 kW)
OUTPUT FREQUENCY	0 - 240 Hz	0 - 240 Hz ( <b>1000 Hz option</b> )	0 - 240 Hz
CARRIER FREQUENCY	4kHz to 10kHz (2kHz steps)	4kHz to 10kHz (2kHz steps)	<b>2kHz, 4kHz, &amp; 8kHz</b>
OVERLOAD CAPACITY (60 SECONDS)	150%	150%	150%
TORQUE RATING	CONSTANT / 10:1	CONSTANT / 10:1	CONSTANT / 2000:1
DRIVE TYPE	V/Hz	V/Hz	<b>VECTOR</b> (sensorless)
AMBIENT TEMPERATURE	0 - 40°C	0 - 50°C	0 - 50°C
<b>ENCLOSURE TYPES</b>			
IP20 (CHASSIS)	STANDARD	STANDARD	STANDARD
COOLING	CONVECTION or HEAT SINK FAN	CONVECTION or HEAT SINK FAN	CONVECTION or HEAT SINK FAN
<b>PERFORMANCE FEATURES</b>			
PI SETPOINT CONTROL	N/A	<b>OPTION</b>	N/A
SLIP COMPENSATION	STANDARD	STANDARD	STANDARD
REVERSE ROTATION	STANDARD	STANDARD	STANDARD
DC INJECTION BRAKING UP TO 30% VOLTAGE	UP TO 3600 SECONDS	UP TO 3600 SECONDS	<b>UP TO 999.9 SECONDS</b>
2nd ADJUSTABLE ACCEL/DECEL	STANDARD	STANDARD	STANDARD
2nd STOP COMMAND (e.g. FAST STOP)	STANDARD	STANDARD	STANDARD
RE-START INTO SPINNING MOTOR	STANDARD	STANDARD	STANDARD
BIPOLAR SPEED REFERENCE	N/A	N/A	<b>STANDARD</b>
<b>INPUT/OUTPUT INTERFACE AND OTHER FEATURES</b>			
<b>SPEED REFERENCE INPUTS</b>			
KEYPAD	STANDARD	STANDARD	STANDARD
POTENTIOMETER	STANDARD	STANDARD	STANDARD
4 - 20mA	STANDARD	STANDARD	STANDARD
0 - 10 VDC	STANDARD	STANDARD	STANDARD
MOTOR OPERATED POT (MOP)	STANDARD	STANDARD	STANDARD
PRESET SPEEDS	7	7	7
<b>ANALOG OUTPUTS</b>			
0 - 10 VDC: SPEED or LOAD	N/A	STANDARD	STANDARD
2 - 10 VDC: SPEED or LOAD*	N/A	STANDARD	STANDARD
<b>DIGITAL OUTPUTS</b>			
PROGRAMMABLE STATUS INDICATIONS (e.g. RUN, FAULT, AT SPEED, etc.)	STANDARD	STANDARD	STANDARD
RELAY OUTPUTS	<b>1 (Form A)</b>	N/A	N/A
OPEN-COLLECTOR OUTPUTS	<b>1</b>	2	2
12 VDC POWER SUPPLY FOR AUX. RELAY	STANDARD	STANDARD	STANDARD
<b>KEYPAD &amp; DISPLAY FUNCTIONS</b>			
DISPLAY TYPE	3 DIGIT LED	3 DIGIT LED	3 DIGIT LED
FREQUENCY (SPEED) DISPLAY	STANDARD	STANDARD	STANDARD
MOTOR LOAD DISPLAY	STANDARD	STANDARD	STANDARD
MOTOR VOLTAGE DISPLAY	STANDARD	STANDARD	STANDARD
DC BUS VOLTAGE DISPLAY	STANDARD	STANDARD	STANDARD
<b>SERIAL COMMUNICATIONS</b>			
RS - 232	N/A	N/A	N/A
RS - 485	N/A	<b>STANDARD</b>	<b>STANDARD</b>
MODBUS PROTOCOL	N/A	<b>STANDARD</b>	<b>STANDARD</b>
CONTROL I/O	<b>11 ISOLATED TERMINALS</b>	18 ISOLATED TERMINALS	18 ISOLATED TERMINALS
REMOTE KEYPAD (NEMA 4X)	OPTION	OPTION	OPTION
DYNAMIC BRAKING	OPTION	OPTION	OPTION
EPM PROGRAMMER COMPATIBLE	STANDARD	STANDARD	STANDARD

\* 2 - 10 VDC signals can be converted to 4 - 20 mA by adding series resistance such that the total circuit resistance is 500 ohms.

Items in **BOLD BLUE** indicate key product differences.

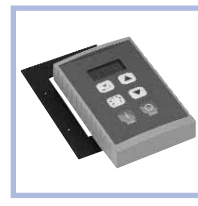
# REGAL-BELOIT SpinMaster®, SpinMaster® Plus, and SpinMaster® VMax AC Adjustable Speed Drives

## Constant Torque, Micro Inverter Accessories / Options



### Electronic Programming Unit

Electronic Programming Unit allows off-line setup and replication of the drive's plug-in electronic programming module. Keypad input and alphanumeric display employ programming. RS-232 serial port allows downloading of configuration files from personal computer.



### Remote Keypad

Remote keypad kit includes 8 foot connecting cable and gasket. When mounted in the proper enclosure, will provide up to NEMA 4X protection. Remote keypads are not interchangeable between drives.

CAT. NO.	DESCRIPTION	LIST PRICE	MULT. SYMB.	APPROX. WGT. LBS.
T915★	EPM programmer	\$729	D3	2

★ Stock Model

CAT. NO.	DESCRIPTION	LIST PRICE	MULT. SYMB.	APPROX. WGT. LBS.
T920★	Remote keypad SpinMaster®	\$152	D3	2
T921★	Remote keypad SpinMaster® Plus	\$187	D3	2
T922★	Remote keypad SpinMaster® VMax	\$208	D3	2

★ Stock Model



### DIN Rail Mounting Kits

Steel plates and fasteners for mounting AC drives on standard 35 mm DIN rails for panel building. Set of 6.

CAT. NO.	DESCRIPTION	LIST PRICE	MULT. SYMB.	APPROX. WGT. LBS.
T900★	DIN rail mounting kits for 3.66" width drives and dynamic braking modules	\$132	D3	3
T901★	DIN rail mounting kits for 3.66" or 4.52" width drives and dynamic braking modules	\$166	D3	3
T902★	DIN rail mounting kits for 5.78" width drives and dynamic braking modules	\$198	D3	3

★ Stock Model



### EPM Bulk Pack

Plug-in electronic programming modules (EPM) allows off-line setup and replication of program using electronic programming unit. Set of 10.

CAT. NO.	DESCRIPTION	LIST PRICE	MULT. SYMB.	APPROX. WGT. LBS.
T916★	EPM bulk pack	\$142	D3	1

★ Stock Model

### AC Drive Options

Add the suffix Letter to the SpinMaster® Plus Catalog#. (Available on the SpinMaster® Plus series as a build-up **ONLY**)

DESCRIPTION	PART # SUFFIX ADD TO SMP CAT NO.	LIST PRICE ADDER
PI Set-point Control Function	P	\$70
High Frequency Output (1000 Hz)	V	\$70

Continued on next page.

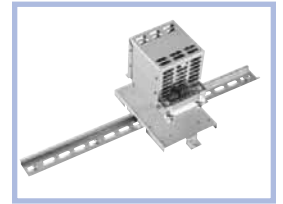


# REGAL-BELOIT SpinMaster®, SpinMaster® Plus, and SpinMaster® VMax AC Adjustable Speed Drives

Constant Torque, Micro Inverter Accessories / Options

## Dynamic Braking Module

Dynamic braking modules through 10 HP, includes brake resistors and the control electronics in a convenient package. Modules can be panel or DIN rail mounted.



AC DRIVES

HP	CAT. NO.	VOLTAGE	LIST PRICE	MULT. SYMB.	APPROX. WGT. LBS.
<b>.25 - .50</b>	T931★	208/240	\$233	D3	2
<b>1 - 1.5</b>	T933★	208/240	\$272	D3	3
<b>2 - 3</b>	T935★	208/240	\$370	D3	4
<b>5</b>	T936★	208/240	\$482	D3	5
<b>7.5</b>	T937	208/240	\$609	D3	6
<b>10</b>	T938	208/240	\$735	D3	8
<b>.25 - .50</b>	T941★	480	\$233	D3	2
<b>1 - 1.5</b>	T943★	480	\$272	D3	3
<b>2 - 3</b>	T945★	480	\$370	D3	4
<b>5</b>	T946★	480	\$482	D3	5
<b>7.5</b>	T947	480	\$609	D3	6
<b>10</b>	T948	480	\$735	D3	8
<b>1 - 1.5</b>	T953★	575	\$272	D3	3
<b>2 - 3</b>	T955★	575	\$370	D3	4
<b>5</b>	T956★	575	\$482	D3	5
<b>7.5</b>	T957	575	\$609	D3	6
<b>10</b>	T958	575	\$735	D3	8

★ Stock Model

## Dynamic Braking Modules\*

HP	CAT. NO.	VOLTAGE	LIST PRICE	MULT. SYMB.	APPROX. WGT. LBS.
<b>15 - 20</b>	T939	208/240	\$314	D3	10
<b>15 - 30</b>	T949	480	\$314	D3	10
<b>15 - 25</b>	T959	575	\$314	D3	10

\*Dynamic braking resistors are sold and mounted separately.

## Dynamic Braking Resistors\*\*

HP	CAT. NO.	VOLTAGE	LIST PRICE	MULT. SYMB.	APPROX. WGT. LBS.
<b>15 - 20</b>	T969	208/240	\$345	D3	1
<b>15 - 20</b>	T969	480	\$345	D3	1
<b>15 - 20</b>	T970	575	\$345	D3	1
<b>25 - 30</b>	T971	480	\$583	D3	1
<b>25 - 30</b>	T972	575	\$583	D3	1

\*\*Dynamic braking resistors are provided with mounting brackets.

## Dynamic Braking Module Sizes

HP	HEIGHT	WIDTH	DEPTH
	IN/MM	IN/MM	IN/MM
<b>.25 - 1.5</b>	4.6/117	3.1/79	3.1/79
<b>2 - 3</b>	4.6/117	3.1/79	4.3/109
<b>5</b>	4.6/117	3.1/79	5.6/142
<b>7.5 - 10</b>	4.6/117	4.2/107	6.7/170
<b>15 - 30</b>	4.6/117	3.1/79	3.1/79

# REGAL-BELOIT SpinMaster® Micro AC Adjustable Speed Drives

## Constant Torque, NEMA 1 Inverter



REGAL-BELOIT  
SpinMaster®

**Applications:** Constant torque or constant horsepower applications. Typical applications include conveyors, packaging machinery, machine tool, printing equipment, and specialty equipment.

- Features:**
- NEMA 1 enclosure with epoxy finish
  - Current limit to 180% with frequency foldback
  - Adjustable carrier frequency
  - Independent accel and decel times
  - Adjustable DC injection braking
  - Serial Communication interface
  - Programmable inputs/outputs
  - UL Listed and UL Certified for Canada under File No. E197830
  - 2 year warranty

### Single Phase Input / Three Phase Output

HP / kW	INPUT VOLTAGE	INPUT AMPS	OUTPUT AMPS 200 / 230 VAC	CAT. NO.	LIST PRICE	MULT. SYMB.	APPROX. WGT. LBS.	HEIGHT	WIDTH	DEPTH	FOOT NOTES
								IN / MM	IN / MM	IN / MM	
<b>0.25 / 0.19</b>	120/240	6.0/3.0	1.4	T1110★	\$757	D3	5	7.50/190	4.70/119	3.33/85	
<b>0.50 / 0.38</b>	120/240	9.2/4.6	2.2	T1112★	\$914	D3	7	7.50/190	6.12/3.63	3.63/92	
<b>1 / 0.75</b>	120/240	16.2/8.1	4.0	T1114★	\$921	D3	7	7.50/190	6.12/3.63	4.22/107	
<b>1.5 / 1.1</b>	120/240	21/10.4	5.2	T1115★	\$1,020	D3	7	7.50/190	6.12/3.63	4.22/107	
<b>2 / 1.5</b>	240	14.9	6.8	T1116★	\$973	D3	9	7.50/190	6.12/3.63	5.12/130	
<b>3 / 2.2</b>	240	21.0	9.6	T1117★	\$1,072	D3	9	7.50/190	6.12/3.63	5.12/130	

★ Stock Model

### Three Phase Input / Three Phase Output

HP / kW	INPUT VOLTAGE	INPUT AMPS	OUTPUT AMPS	CAT. NO.	LIST PRICE	MULT. SYMB.	APPROX. WGT. LBS.	HEIGHT	WIDTH	DEPTH	FOOT NOTES
								IN / MM	IN / MM	IN / MM	
<b>0.50 / 0.38</b>	208/240	3.1/2.7	2.5/2.2	T1212★	\$801	D3	6	7.50/190	4.70/119	3.63/92	
<b>1 / 0.75</b>	208/240	5.5/4.8	4.6/4.0	T1214★	\$842	D3	6	7.50/190	4.70/119	4.33/110	
<b>1.5 / 1.1</b>	208/240	7.1/6.2	6.0/5.2	T1215★	\$882	D3	6	7.50/190	4.70/119	4.33/110	
<b>2 / 1.5</b>	208/240	9.3/8.1	7.8/6.8	T1216★	\$943	D3	9	7.50/190	6.12/3.63	5.12/130	
<b>3 / 2.2</b>	208/240	12.9/11.3	11.0/9.6	T1217★	\$1,014	D3	9	7.50/190	6.12/3.63	5.12/130	
<b>5 / 3.7</b>	208/240	20.4/17.7	17.5/15.2	T1218★	\$1,198	D3	11	7.88/200	6.12/3.63	5.94/151	
<b>7.5 / 5.5</b>	208/240	29.9/26.0	25.3/22.0	T1219★	\$1,731	D3	13	9.38/238	7.86/200	6.84/174	96
<b>10 / 7.5</b>	208/240	36.8/32.0	32.2/28.0	T1220★	\$2,295	D3	15	11.25/286	7.86/200	6.84/174	96
<b>15 / 11</b>	208/240	55.2/48.0	48.3/42.0	T1221	\$3,028	D3	19	12.75/324	7.86/200	6.84/174	96
<b>20 / 15</b>	208/240	70.0/61.0	62.0/54.0	T1222★	\$4,110	D3	21	12.75/324	10.26/261	7.74/197	96
<b>25 / 18.5</b>	208/240	89.0/77.0	78.0/68.0	T1223	\$4,977	D3	38	15.75/400	10.26/261	8.35/212	96
<b>30 / 22</b>	208/240	104/90.0	92.0/80.0	T1224	\$5,973	D3	44	15.75/400	10.26/261	8.35/212	96
<b>1 / 0.75</b>	480	2.4	2.0	T1414★	\$1,011	D3	6	7.50/190	4.70/119	3.63/92	
<b>2 / 1.5</b>	480	4.1	3.4	T1416★	\$1,109	D3	7	7.50/190	6.12/3.63	4.22/107	
<b>3 / 2.2</b>	480	5.7	4.8	T1417★	\$1,198	D3	9	7.50/190	6.12/3.63	5.12/130	
<b>5 / 3.7</b>	480	8.9	7.6	T1418★	\$1,347	D3	9	7.50/190	6.12/3.63	5.12/130	
<b>7.5 / 5.5</b>	480	12.8	11.0	T1419★	\$1,831	D3	11	9.38/238	7.86/200	6.25/159	
<b>10 / 7.5</b>	480	15.9	14.0	T1420★	\$2,487	D3	13	9.38/238	7.86/200	6.84/174	96
<b>15 / 11</b>	480	24.0	21.0	T1421★	\$3,195	D3	15	11.25/286	7.86/200	6.84/174	96
<b>20 / 15</b>	480	31.0	27.0	T1422★	\$4,240	D3	17	12.75/324	7.86/200	6.84/174	96
<b>25 / 18.5</b>	480	38.0	34.0	T1423	\$4,999	D3	21	12.75/324	10.26/261	7.74/197	96
<b>30 / 22</b>	480	45.0	40.0	T1424★	\$5,443	D3	21	12.75/324	10.26/261	7.74/197	96
<b>40 / 30</b>	480	59.0	52.0	T1425	\$6,273	D3	35	15.75/400	10.26/261	8.35/212	96
<b>50 / 37.5</b>	480	74.0	65.0	T1426	\$7,647	D3	44	19.75/502	10.26/261	8.55/217	96
<b>60 / 44</b>	480	87.0	77.0	T1427	\$8,400	D3	44	19.75/502	10.26/261	8.55/217	96

★ Stock Model

**Footnotes:**

96 Drive has cooling fan

Continued on next page.

# REGAL-BELOIT SpinMaster® Micro AC Adjustable Speed Drives

Constant Torque, NEMA 1 Inverter

Three Phase Input / Three Phase Output

HP / kW	INPUT VOLTAGE	INPUT AMPS	OUTPUT AMPS	CAT. NO.	LIST PRICE	MULT. SYMB.	APPROX. WGT. LBS.	HEIGHT	WIDTH	DEPTH	FOOT NOTES
								IN / MM	IN / MM	IN / MM	
<b>1 / 0.75</b>	575	1.9	1.6	T1514★	\$1,120	D3	6	7.50/190	4.70/119	3.63/92	
<b>2 / 1.5</b>	575	3.3	2.7	T1516★	\$1,238	D3	7	7.50/190	6.12/3.63	4.22/107	
<b>3 / 2.2</b>	575	4.6	3.9	T1517★	\$1,369	D3	9	7.50/190	6.12/3.63	5.12/130	
<b>5 / 3.7</b>	575	7.1	6.1	T1518★	\$1,491	D3	9	7.88/200	7.86/200	5.94/151	
<b>7.5 / 5.5</b>	575	10.5	9.0	T1519	\$1,824	D3	11	9.38/238	7.86/200	6.25/159	
<b>10 / 7.5</b>	575	12.5	11.0	T1520	\$2,779	D3	13	9.38/238	7.86/200	7.40/188	96
<b>15 / 11</b>	575	19.3	17.0	T1521	\$3,670	D3	17	12.75/324	7.86/200	6.84/174	96
<b>20 / 15</b>	575	25.0	22.0	T1522	\$4,661	D3	19	12.75/324	7.86/200	7.40/188	96
<b>25 / 18.5</b>	575	31.0	27.0	T1523	\$5,505	D3	21	12.75/324	10.26/261	7.74/197	96
<b>30 / 22</b>	575	36.0	32.0	T1524	\$6,021	D3	22	12.75/324	10.26/261	8.25/210	96
<b>40 / 30</b>	575	47.0	41.0	T1525	\$6,837	D3	38	15.75/400	10.26/261	8.35/212	96
<b>50 / 37.5</b>	575	59.0	52.0	T1526	\$8,295	D3	45	19.75/502	10.26/261	8.55/217	96
<b>60 / 44</b>	575	71.0	62.0	T1527	\$9,279	D3	51	19.75/502	10.26/261	8.55/217	96

★ Stock Model

**Footnotes:**

96 Drive has cooling fan

# REGAL-BELOIT SpinMaster® PowerWash™ AC Adjustable Speed Drives

Constant Torque, Washdown NEMA 4 and NEMA 12, Inverter



REGAL-BELOIT  
SpinMaster®

**Applications:** Constant torque applications. Typical applications include machinery found in food processing, dairies, slaughter houses, beverage plants, car washes, and other high humidity or wet environments.

- Features:**
- **NEMA 4:** Dust and water-tight
  - **NEMA 12:** With cooling fan
  - Epoxy finished enclosure, fully gasketed dust and water-tight
  - Current limit to 180% with frequency foldback
  - Adjustable carrier frequency
  - Independent accel and decel times
  - Adjustable DC injection braking
  - Serial Communication interface
  - Programmable inputs/outputs
  - UL Listed and UL Certified for Canada under File No. E197830
  - 2 year warranty

## Single Phase Input / Three Phase Output

HP / kW	INPUT VOLTAGE	INPUT AMPS	OUTPUT AMPS 200 / 230 VAC	CAT. NO.	LIST PRICE	MULT. SYMB.	APPROX. WGT. LBS.	HEIGHT	WIDTH	DEPTH	NEMA ENCL.
								IN / MM	IN / MM	IN / MM	
<b>0.25 / 0.19</b>	120 / 240	6.0 / 3.0	1.4	T400	\$1,056	D3	7	7.88 / 200	6.12 / 155	3.63 / 92	4
<b>0.50 / 0.38</b>	120 / 240	9.2 / 4.6	2.2	T402	\$1,154	D3	8	7.88 / 200	7.86 / 200	3.75 / 95	4
<b>1 / 0.75</b>	120 / 240	16.2 / 8.1	4.0	T404	\$1,262	D3	11	7.88 / 200	7.86 / 200	4.90 / 124	4
<b>1.5 / 1.1</b>	120 / 240	21 / 10.4	5.2	T405	\$1,484	D3	11	7.88 / 200	7.86 / 200	4.90 / 124	4
<b>2 / 1.5</b>	240	14.9	6.8	T406	\$1,343	D3	11	7.88 / 200	7.86 / 200	4.90 / 124	4
<b>3 / 2.2</b>	240	21.0	9.6	T407	\$1,423	D3	13	7.88 / 200	7.86 / 200	5.90 / 150	4

## Three Phase Input / Three Phase Output

HP / kW	INPUT VOLTAGE	INPUT AMPS	OUTPUT AMPS	CAT. NO.	LIST PRICE	MULT. SYMB.	APPROX. WGT. LBS.	HEIGHT	WIDTH	DEPTH	NEMA ENCL.
								IN / MM	IN / MM	IN / MM	
<b>0.50 / 0.38</b>	208 / 240	3.1 / 2.7	2.5 / 2.2	T422 *	\$1,136	D3	8	7.88 / 200	6.12 / 155	4.35 / 110	4
<b>1 / 0.75</b>	208 / 240	5.5 / 4.8	4.6 / 4.0	T424 *	\$1,233	D3	8	7.88 / 200	6.12 / 155	4.35 / 110	4
<b>1.5 / 1.1</b>	208 / 240	7.1 / 6.2	6.0 / 5.2	T425 *	\$1,250	D3	9	7.88 / 200	6.12 / 155	5.25 / 133	4
<b>2 / 1.5</b>	208 / 240	9.3 / 8.1	7.8 / 6.8	T426 *	\$1,322	D3	11	7.88 / 200	7.86 / 200	4.90 / 124	4
<b>3 / 2.2</b>	208 / 240	12.9 / 11.3	11.0 / 9.6	T427 *	\$1,429	D3	12	7.88 / 200	7.86 / 200	4.90 / 124	4
<b>5 / 3.7</b>	208 / 240	20.4 / 17.7	17.5 / 15.2	T428 *	\$1,763	D3	26	9.75 / 247	10.26 / 261	7.20 / 183	4
<b>7.5 / 5.5</b>	208 / 240	29.9 / 26.0	25.3 / 22.0	T429	\$2,445	D3	26	11.75 / 298	10.26 / 261	8.35 / 212	4
<b>10 / 7.5</b>	208 / 240	36.8 / 32.0	32.2 / 28.0	T430	\$3,085	D3	31	13.75 / 349	10.26 / 261	8.35 / 212	4
<b>15 / 11</b>	208 / 240	55.2 / 48.0	48.3 / 42.0	T431	\$3,720	D3	35	15.75 / 400	10.26 / 261	8.35 / 212	4
<b>20 / 15</b>	208 / 240	70.0 / 61.0	62.0 / 54.0	T532	\$4,775	D3	35	15.75 / 400	10.26 / 261	8.35 / 212	12
<b>25 / 18.5</b>	208 / 240	89.0 / 77.0	78.0 / 68.0	T533	\$6,544	D3	45	20.25 / 514	10.26 / 261	8.35 / 212	12
<b>30 / 22</b>	208 / 240	104 / 90.0	92.0 / 80.0	T534	\$6,934	D3	45	20.25 / 514	10.26 / 261	8.35 / 212	12
<b>1 / 0.75</b>	480	2.4	2.0	T434 *	\$1,390	D3	8	7.88 / 200	6.12 / 155	4.35 / 110	4
<b>2 / 1.5</b>	480	4.1	3.4	T436 *	\$1,534	D3	11	7.88 / 200	7.86 / 200	4.90 / 124	4
<b>3 / 2.2</b>	480	5.7	4.8	T437 *	\$1,643	D3	11	7.88 / 200	7.86 / 200	4.90 / 124	4
<b>5 / 3.7</b>	480	8.9	7.6	T438 *	\$1,817	D3	12	7.88 / 200	7.86 / 200	5.90 / 150	4
<b>7.5 / 5.5</b>	480	12.8	11.0	T439	\$2,303	D3	26	9.75 / 247	10.26 / 261	7.20 / 183	4
<b>10 / 7.5</b>	480	15.9	14.0	T440	\$3,071	D3	26	11.75 / 298	10.26 / 261	8.35 / 212	4
<b>15 / 11</b>	480	24.0	21.0	T441	\$3,825	D3	31	13.75 / 349	10.26 / 261	8.35 / 212	4
<b>20 / 15</b>	480	31.0	27.0	T442	\$4,906	D3	35	15.75 / 400	10.26 / 261	8.35 / 212	4
<b>25 / 18.5</b>	480	38.0	34.0	T543	\$5,664	D3	35	15.75 / 400	10.26 / 261	8.35 / 212	12
<b>30 / 22</b>	480	45.0	40.0	T544	\$6,190	D3	36	15.75 / 400	10.26 / 261	8.35 / 212	12
<b>40 / 30</b>	480	59.0	52.0	T545	\$7,160	D3	45	20.25 / 514	10.26 / 261	8.35 / 212	12
<b>50 / 37.5</b>	480	74.0	65.0	T546	\$8,310	D3	58	21.00 / 533	13.72 / 348	8.35 / 212	12
<b>60 / 44</b>	480	87.0	77.0	T547	\$9,356	D3	80	21.00 / 533	13.72 / 348	8.35 / 212	12

\* Stock Model

# REGAL-BELOIT SpinMaster® PowerWash™ AC Adjustable Speed Drives

Constant Torque, Washdown NEMA 4 and NEMA 12, Inverter

Three Phase Input / Three Phase Output

HP / kW	INPUT VOLTAGE	INPUT AMPS	OUTPUT AMPS	CAT. NO.	LIST PRICE	MULT. SYMB.	APPROX. WGT. LBS.	HEIGHT	WIDTH	DEPTH	NEMA ENCL.
								IN / MM	IN / MM	IN / MM	
<b>1 / 0.75</b>	575	1.9	1.6	T444 *	\$1,512	D3	8	7.88 / 200	6.12 / 155	4.35 / 110	4
<b>2 / 1.5</b>	575	3.3	2.7	T446 *	\$1,687	D3	11	7.88 / 200	7.86 / 200	4.90 / 124	4
<b>3 / 2.2</b>	575	4.6	3.9	T447 *	\$1,839	D3	11	7.88 / 200	7.86 / 200	4.90 / 124	4
<b>5 / 3.7</b>	575	7.1	6.1	T448 *	\$1,980	D3	12	7.88 / 200	7.86 / 200	5.90 / 150	4
<b>7.5 / 5.5</b>	575	10.5	9.0	T449	\$2,723	D3	26	9.75 / 247	10.26 / 261	7.20 / 183	4
<b>10 / 7.5</b>	575	12.5	11.0	T450	\$3,571	D3	26	11.75 / 298	10.26 / 261	8.35 / 212	4
<b>15 / 11</b>	575	19.3	17.0	T451	\$4,314	D3	31	13.75 / 349	10.26 / 261	8.35 / 212	4
<b>20 / 15</b>	575	25.0	22.0	T453	\$5,251	D3	35	15.75 / 400	10.26 / 261	8.35 / 212	4
<b>25 / 18.5</b>	575	31.0	27.0	T553	\$6,262	D3	35	15.75 / 400	10.26 / 261	8.35 / 212	12
<b>30 / 22</b>	575	36.0	32.0	T554	\$6,873	D3	36	15.75 / 400	10.26 / 261	8.35 / 212	12
<b>40 / 30</b>	575	47.0	41.0	T555	\$7,957	D3	45	20.25 / 514	10.26 / 261	8.35 / 212	12
<b>50 / 37.5</b>	575	59.0	52.0	T556	\$9,289	D3	58	21.00 / 533	13.72 / 348	8.35 / 212	12
<b>60 / 44</b>	575	71.0	62.0	T557	\$10,391	D3	80	21.00 / 533	13.72 / 348	8.35 / 212	12

★ Stock Model

AC DRIVES



# REGAL-BELOIT SpinMaster® PowerWash™ AC Adjustable Speed Drives

Constant Torque, Washdown NEMA 4X, Inverter



REGAL-BELOIT  
SpinMaster®

**Applications:** Constant torque applications. Typical applications include machinery found in food processing, dairies, slaughter houses, beverage plants, car washes, and other high humidity or wet environments where a NEMA 4X enclosure is required.

- Features:**
- **NEMA 4X:** Stainless steel enclosure, fully gasketed dust and water-tight
  - Current limit to 180% with frequency foldback
  - Adjustable carrier frequency
  - Independent accel and decel times
  - Adjustable DC injection braking
  - Serial communication interface
  - Programmable inputs/outputs
  - UL Listed and UL Certified for Canada under File No. E197830
  - 2 year warranty

## Single Phase Input / Three Phase Output

HP / kW	INPUT VOLTAGE	INPUT AMPS	OUTPUT AMPS 200 / 230 VAC	CAT. NO.	LIST PRICE	MULT. SYMB.	APPROX. WGT. LBS.	HEIGHT	WIDTH	DEPTH
								IN / MM	IN / MM	IN / MM
<b>0.25 / 0.19</b>	120 / 240	6.0 / 3.0	1.4	T410	\$1,305	D3	7	7.88 / 200	6.12 / 155	3.63 / 92
<b>0.50 / 0.38</b>	120 / 240	9.2 / 4.6	2.2	T412	\$1,451	D3	8	7.88 / 200	7.86 / 200	3.75 / 95
<b>1 / 0.75</b>	120 / 240	16.2 / 8.1	4.0	T414	\$1,555	D3	11	7.88 / 200	7.86 / 200	4.90 / 124
<b>1.5 / 1.1</b>	120 / 240	21 / 10.4	5.2	T415	\$1,912	D3	11	7.88 / 200	7.86 / 200	4.90 / 124
<b>2 / 1.5</b>	240	14.9	6.8	T416	\$1,635	D3	11	7.88 / 200	7.86 / 200	4.90 / 124
<b>3 / 2.2</b>	240	21.0	9.6	T417	\$1,715	D3	13	7.88 / 200	7.86 / 200	5.90 / 150

## Three Phase Input / Three Phase Output

HP / kW	INPUT VOLTAGE	INPUT AMPS	OUTPUT AMPS	CAT. NO.	LIST PRICE	MULT. SYMB.	APPROX. WGT. LBS.	HEIGHT	WIDTH	DEPTH
								IN / MM	IN / MM	IN / MM
<b>1/2 / 0.38</b>	208 / 240	2.7	2.2	T452	\$1,334	D3	8	7.88 / 200	6.12 / 155	4.35 / 110
<b>1 / 0.75</b>	208 / 240	4.8	4.6 / 4.0	T454	\$1,431	D3	8	7.88 / 200	6.12 / 155	4.35 / 110
<b>1 1/2 / 1.1</b>	208 / 240	6.2	6.0 / 5.2	T455	\$1,498	D3	9	7.88 / 200	6.12 / 155	5.25 / 133
<b>2 / 1.5</b>	208 / 240	8.1	7.8 / 6.8	T456	\$1,588	D3	11	7.88 / 200	7.86 / 200	4.90 / 124
<b>3 / 2.2</b>	208 / 240	11.3	11.0 / 9.6	T457	\$1,668	D3	12	7.88 / 200	7.86 / 200	4.90 / 124
<b>5 / 3.7</b>	208 / 240	17.7	17.5 / 15.2	T458	\$2,323	D3	26	9.75 / 247	10.26 / 261	7.20 / 183
<b>7.5 / 5.5</b>	208 / 240	29.9 / 26.0	25.3 / 22.0	T459	\$2,859	D3	26	11.75 / 298	10.26 / 261	8.35 / 212
<b>10 / 7.5</b>	208 / 240	36.8 / 32.0	32.2 / 28.0	T460	\$3,566	D3	31	13.75 / 349	10.26 / 261	8.35 / 212
<b>15 / 11</b>	208 / 240	55.2 / 48.0	48.3 / 42.0	T461	\$4,358	D3	35	15.75 / 400	10.26 / 261	8.35 / 212
<b>1 / 0.75</b>	480	2.4	2.0	T464	\$1,573	D3	8	7.88 / 200	6.12 / 155	4.35 / 110
<b>2 / 1.5</b>	480	4.1	3.4	T466	\$1,781	D3	12	7.88 / 200	7.86 / 200	4.90 / 124
<b>3 / 2.2</b>	480	5.7	4.8	T467	\$1,912	D3	12	7.88 / 200	7.86 / 200	4.90 / 124
<b>5 / 3.7</b>	480	8.9	7.6	T468	\$2,182	D3	14	7.88 / 200	7.86 / 200	5.90 / 150
<b>7.5 / 5.5</b>	480	12.8	11.0	T469	\$2,959	D3	26	9.75 / 247	10.26 / 261	7.20 / 183
<b>10 / 7.5</b>	480	15.9	14.0	T470	\$3,666	D3	26	11.75 / 298	10.26 / 261	8.35 / 212
<b>15 / 11</b>	480	24.0	21.0	T471	\$4,386	D3	31	13.75 / 349	10.26 / 261	8.35 / 212
<b>20 / 15</b>	480	31.0	27.0	T472	\$5,414	D3	35	15.75 / 400	10.26 / 261	8.35 / 212
<b>1 / 0.75</b>	575	1.9	1.6	T474	\$1,709	D3	8	7.88 / 200	6.12 / 155	4.35 / 110
<b>2 / 1.5</b>	575	3.3	2.7	T476	\$1,908	D3	12	7.88 / 200	7.86 / 200	4.90 / 124
<b>3 / 2.2</b>	575	4.6	3.9	T477	\$2,063	D3	12	7.88 / 200	7.86 / 200	4.90 / 124
<b>5 / 3.7</b>	575	7.1	6.1	T478	\$2,335	D3	14	7.88 / 200	7.86 / 200	5.90 / 150
<b>7.5 / 5.5</b>	575	10.5	9.0	T479	\$3,156	D3	26	9.75 / 247	10.26 / 261	7.20 / 183
<b>10 / 7.5</b>	575	12.5	11.0	T480	\$4,052	D3	26	11.75 / 298	10.26 / 261	8.35 / 212
<b>15 / 11</b>	575	19.3	17.0	T481	\$4,867	D3	31	13.75 / 349	10.26 / 261	8.35 / 212
<b>20 / 15</b>	575	25.0	22.0	T482	\$5,883	D3	40	15.75 / 400	10.26 / 261	8.35 / 212

# REGAL-BELOIT SpinMaster® NEMA Series AC Adjustable Speed Drives

## Product Feature Directory

FEATURE DESCRIPTION	Micro	PowerWash™	PowerWash™ 4X
<b>GENERAL DESIGN FEATURES</b>			
<b>RATINGS &amp; SPECIFICATIONS</b>			
INPUT VOLTAGE / HP RANGE	1Ø 120/240 Vac 3 Ø 200/240 Vac 3 Ø 400/480 Vac 3 Ø 480/590 Vac	0.25 - 3.0 Hp (0.18 - 2.2kW) 0.5 - 30 Hp (0.37 - 22kW) 1-60 Hp (0.75 - 45kW) 1-60 Hp (0.75 - 45kW)	0.25 - 3.0 Hp (0.18 - 2.2kW) 0.5 - 30 Hp (0.37 - 22 kW) 1-60 Hp (0.75 - 45kW) 1-60 Hp (0.75 - 45kW)
OUTPUT FREQUENCY (1000 Hz option)	0 - 120 Hz	0 - 120 Hz	0 - 120 Hz
CARRIER FREQUENCY	2.5kHz to 14kHz	2.5kHz to 14kHz	2.5kHz to 14kHz
TORQUE RATING	CONSTANT	CONSTANT	CONSTANT
AMBIENT TEMPERATURE	<b>-10 - 50°C</b>	-10 - 40°C	-10 - 40°C
OVERLOAD CAPACITY (1 MINUTE)	150%	150%	150%
<b>ENCLOSURE TYPES</b>			
RUGGED, HEAVY GAUGE STEEL	<b>NEMA 1</b> STANDARD	<b>NEMA 4 &amp; 12</b> STANDARD	<b>NEMA 4X</b> STANDARD
<b>CURRENT LIMIT</b> (25-180% with FREQUENCY FOLDBACK)			
	STANDARD	STANDARD	STANDARD
<b>COOLING</b>			
	CONVECTION OR HEAT SINK FAN	CONVECTION OR HEAT SINK FAN	CONVECTION
<b>PERFORMANCE FEATURES</b>			
PI SETPOINT CONTROL	STANDARD	STANDARD	STANDARD
SLIP COMPENSATION	STANDARD	STANDARD	STANDARD
REVERSE ROTATION	STANDARD	STANDARD	STANDARD
DC INJECTION BRAKING UP TO 10% VOLTAGE	UP TO 999.9 SECONDS	UP TO 999.9 SECONDS	UP TO 999.9
RE-START INTO SPINNING MOTOR	STANDARD	STANDARD	STANDARD
<b>INPUT/OUTPUT INTERFACE AND OTHER FEATURES</b>			
<b>SPEED REFERENCE INPUTS</b>			
KEYPAD	STANDARD	STANDARD	STANDARD
POTENTIOMETER	STANDARD	STANDARD	STANDARD
4 - 20mA	STANDARD	STANDARD	STANDARD
0 - 10 VDC	STANDARD	STANDARD	STANDARD
MOTOR OPERATED POT (MOP)	STANDARD	STANDARD	STANDARD
PRESET SPEEDS	4	4	4
<b>ANALOG OUTPUTS</b>			
0 - 10 VDC: SPEED or LOAD	STANDARD	STANDARD	STANDARD
2 - 10 VDC: SPEED or LOAD*	STANDARD	STANDARD	STANDARD
<b>DIGITAL OUTPUTS</b>			
PROGRAMMABLE STATUS INDICATIONS (e.g. RUN, FAULT, AT SPEED, etc.)	STANDARD	STANDARD	STANDARD
FORM C RELAY OUTPUTS	1	1	1
2ND FORM C RELAY	OPTION	OPTION	OPTION
OPEN-COLLECTOR OUTPUTS	2	2	2
<b>KEYPAD &amp; DISPLAY FUNCTIONS</b>			
DISPLAY TYPE	16 CHAR. BACKLIT LCD	16 CHAR. BACKLIT LCD	16 CHAR. BACKLIT LCD
FREQUENCY (SPEED) DISPLAY	STANDARD	STANDARD	STANDARD
SPEED REFERENCE SOURCE DISPLAY	STANDARD	STANDARD	STANDARD
MOTOR LOAD DISPLAY	STANDARD	STANDARD	STANDARD
ROTATION DIRECTION DISPLAY	STANDARD	STANDARD	STANDARD
MOTOR VOLTAGE DISPLAY	STANDARD	STANDARD	STANDARD
ELAPSED TIME/RUN TIME METER	N/A	STANDARD	STANDARD
<b>SERIAL COMMUNICATIONS</b>			
RS - 232	OPTION	OPTION	OPTION
RS - 485	STANDARD	STANDARD	STANDARD
MODBUS PROTOCOL	STANDARD	STANDARD	STANDARD
CONTROL I/O (18 ISOLATED TERMINALS)	STANDARD	STANDARD	STANDARD
REMOTE KEYPAD (NEMA 4X)	OPTION	OPTION	OPTION
DYNAMIC BRAKING	OPTION	OPTION	OPTION

\* 2 - 10 VDC signals can be converted to 4 - 20 mA by adding series resistance such that the total circuit resistance is 500 ohms.

Items in **BOLD BLUE** indicate key product differences.

# REGAL-BELOIT SpinMaster® Micro and PowerWash™ AC Adjustable Speed Drives

## Constant Torque, Washdown Inverter Accessories

The Micro/PowerWash™ Series of AC Drive can be modified to include an additional Form C Relay Board or Dynamic Braking Board. The modifications involve replacing a board within the drive as well as adding the DB resistor in a separate enclosure. Larger drives require a combination of DB Board and an additional Form C Relay Board. Instructions are included with the boards.

### Remote Keypad Kits\*

ITEM	CAT. NO.	LIST PRICE	MULT. SYMB.	APPROX. WGT. LBS.
<b>2.5 ft. Cable</b>	T987	\$365	D3	4
<b>5 ft. Cable</b>	T988	\$419	D3	4
<b>10 ft. Cable</b>	T989	\$446	D3	4

\* Compatible with any Micro/PowerWash™ Drive.  
Keypad is included in the kit

### Additional Form C Relay Board

DRIVE HP	DRIVE VOLTAGE	CAT. NO.	LIST PRICE	MULT. SYMB.	APPROX. WGT. LBS.
<b>.75 - 5</b>	All	T977	\$211	D3	2
<b>7.5</b>	208-240	T979	\$287	D3	2
<b>7.5</b>	480	T978	\$287	D3	2
<b>7.5</b>	575	T978	\$287	D3	2
<b>10 - 30</b>	ALL	T979	\$287	D3	2
<b>40 - 60</b>	480 & 575	T979	\$287	D3	2

### Dynamic Braking Boards\*

DRIVE HP	DRIVE VOLTAGE	CAT. NO.	LIST PRICE	MULT. SYMB.	APPROX. WGT. LBS.
<b>0.5</b>	208-240	T980	\$314	D3	2
<b>1 - 3</b>	All	T980	\$314	D3	2
<b>5</b>	208-240	T981	\$342	D3	2
<b>5</b>	480	T981	\$342	D3	2
<b>5</b>	575	T980	\$314	D3	2

\* Dynamic braking resistors are required with the Dynamic Braking board. Micro/PowerWash™ Drives above 5HP will require the "Dynamic Braking & Additional Form C Relay" Board.

### Dynamic Braking Boards With an Additional Form C Relay\*

DRIVE HP	DRIVE VOLTAGE	CAT. NO.	LIST PRICE	MULT. SYMB.	APPROX. WGT. LBS.
<b>7.5</b>	208-240	T982	\$303	D3	2
<b>7.5</b>	480	T983	\$303	D3	2
<b>7.5</b>	575	T982	\$303	D3	2
<b>10 - 30</b>	All	T982	\$303	D3	2
<b>40 - 60</b>	480 & 575	T982	\$303	D3	2

\* Dynamic braking resistors are required with the Dynamic Braking board. Micro/PowerWash™ Drives below 7.5HP will not accept the "Dynamic Braking & Additional Form C Relay" Board.

### Dynamic Braking Resistors\*\*

DRIVE HP	DRIVE VOLTAGE	CAT. NO.	LIST PRICE	MULT. SYMB.	APPROX. WGT. LBS.
<b>0.50</b>	208-240	T961	\$138	D3	1
<b>1</b>	208-240	T962	\$138	D3	1
	480	T962	\$138	D3	1
	575	T961	\$138	D3	1
<b>1.5</b>	208-240	T962	\$138	D3	1
	208-240	T963	\$138	D3	1
		480	T963	\$138	D3
<b>2</b>	208-240	T962	\$138	D3	1
	208-240	T963	\$138	D3	1
		480	T963	\$138	D3
<b>3</b>	208-240	T965	\$196	D3	1
	208-240	T965	\$196	D3	1
		480	T965	\$196	D3
<b>5</b>	208-240	T966	\$196	D3	1
	208-240	T966	\$196	D3	1
		480	T966	\$196	D3
<b>7.5 - 10</b>	208-240	T967	\$227	D3	1
	208-240	T967	\$227	D3	1
		480	T967	\$227	D3
<b>15 - 20</b>	208-240	T969	\$345	D3	1
	208-240	T969	\$345	D3	1
		480	T969	\$345	D3
<b>25 - 30</b>	208-240	T971	\$583	D3	1
	208-240	T971	\$583	D3	1
		480	T971	\$583	D3
<b>40</b>	208-240	T972	\$583	D3	1
	208-240	T972	\$583	D3	1
		480	T972	\$583	D3
<b>50 - 60</b>	208-240	T973	\$761	D3	1
	208-240	T973	\$761	D3	1
		480	T973	\$761	D3
<b>50 - 60</b>	208-240	T974	\$761	D3	1
	208-240	T974	\$761	D3	1
		480	T974	\$761	D3
<b>50 - 60</b>	208-240	T975	\$880	D3	1
	208-240	T975	\$880	D3	1
		480	T975	\$880	D3
<b>50 - 60</b>	208-240	T976	\$880	D3	1
	208-240	T976	\$880	D3	1
		480	T976	\$880	D3

\*\* Dynamic Braking Resistors are provided with mounting brackets.

# MOD CENTRAL - Motor Modifications

## Mod Central

Marathon Electric offers the capability to modify stock motors in a matter of days to meet our customer's special needs. Mod Central is centrally located in the motor industry's largest Distribution Center in Indianapolis, Indiana. This state-of-the-art facility stocks a vast array of motors and accessories along with a staff of skilled technicians who provide the highest quality of service. If you need motor modifications on 20 motors or less and want to avoid special engineering and manufacturing schedules, call Marathon Electric and take advantage of our **MOD CENTRAL** Motor Modification Program.

## Lead-Time

All lead-times indicated are subject to availability of the stock motors and parts at the time of order placement. If a stock motor is shipped from a remote warehouse to Indianapolis for modification, the cost of the inbound freight will be added to the price of the modified motor and the delivery of the modified motor will be extended by the inbound transit time. **(Lead-times in working days are calculated from normal business hours excluding holidays and weekends and do not include the day the purchase order is received.)** Large quantities may require additional lead-time.

## Mod Central Hours

The Modification Center is open from 7:00 a.m. to 5:00 p.m. CST Monday through Friday.

## How to Order

All modification list prices include the parts necessary to complete the modification, but do not include the price of the motor. You must add the net price of the motor to the net price of the modification(s) to calculate the total price of the modified motor.

For example, to add a C-Face Kit and Thermostats to Catalog Motor U633, you would calculate the total price as follows:

Modification MOD2I, add C-Face to 254T-256T Frame motor . . . . .	\$317 list
Modification MOD14Q, add thermostats to 254T-256T Frame motor . . . . .	\$211 list
<b>TOTAL</b> . . . . .	<b>\$528 list</b>

Add the net price of U633 (\$942 list price x your motor multiplier) to the net adder for the modifications (\$528 x your Mod Center multiplier, S4) to find the total net price for the modified motor.

## Freight Terms

Standard terms and conditions apply.

## Exceptions

Some modifications do not apply to explosion proof motors.

## Discount Multiplier

Discount symbol S4 applies to all list prices, except where noted.

## Cancellation Policy

If a Mod Central order is cancelled after the motor is modified but before it ships, a cancellation charge of double the modification charge will be invoiced to the customer. Any Mod Central order cancelled before modifications are completed, is subject to a cancellation charge of 25% of the total modification charges for that item.

Once shipped, modified motors may not be returned for credit or restocking.

MOD CENTRAL

# MOD CENTRAL - Motor Modifications

MODIFICATION DESCRIPTION	MODIFICATION NUMBER	PRODUCT	FRAME	LEAD-TIME DAYS*	PAGE NUMBER
<b>Altitude/Ambient</b>					
▪ AC Motor Altitude Re-Rating	MOD7	All Non-EXP	48-449T	2	223
▪ AC Motor Ambient Re-Rating	MOD7	All Non-EXP	48-449T	2	223
▪ AC Motor Altitude/Ambient Re-Rating	MOD7	Explosion Proof	143T-449T	2	223
<b>Assembly (see Mounting)</b>					
<b>Bearings</b>					
▪ Ball to Roller Bearing	MOD18	TEFC	364T-449T	3	223
▪ Roller to Ball Bearing	MOD18	TEFC	444T-449T	2	223
▪ Sealed Bearing	MOD18	All Non-EXP	143T-449T	Call	223
▪ Insulated Bearing	MOD18	Non Div 1 or 2	143T-449T	Call	223
<b>Blowers</b>					
▪ Axial Blower	MOD19	TEFC	213T-449T	3	223
<b>Brackets</b>					
▪ C-Face Explosion Proof	MOD2	Explosion Proof	56,254T-449T	Call	223
▪ C-Face Non-Explosion Proof	MOD2	All Non-EXP	56-449T	2	223
▪ C-Face IEEE 841	MOD2	All Non-EXP	143T-449T	2	223
▪ D-Flange	MOD17	All Non-EXP	254T-365T	Call	223
▪ B14 FT Flange (IEC C-Face)	MOD55	IEC	63-160	2	224
▪ B5 FF Flange (IEC D-Flange)	MOD55	IEC	63-225	2	224
<b>Brake Motors</b>					
▪ Brake Motors-Single Phase	MOD3	TEFC	56C	3	224
▪ Brake Motors-Three Phase	MOD3	TEFC	56C-145TC	3	224
▪ Brake Motors-Inverter Duty	MOD3	TENV	56C-326TC	3	224
▪ Double C-Face Coupler Brake	MOD3	All Non-EXP	56C-145TC	3	224
▪ Electrical Modifications-Brake Coil	MOD3	Brake Motors	56-256TC	5	224
<b>Conduit Box</b>					
▪ Rotate Conduit Box Lead Opening	MOD56	All Non-EXP	143T-449T	2	225
▪ Convert to Cast Iron	MOD56	All Non-EXP	143T-326T	2	225
▪ Auxiliary Box (Condulet)	MOD56	All Non-EXP	182T-5013L	Call	225
<b>Connections</b>					
▪ SO Cord, Plug, and Switch-Single Phase	MOD35	TEFC	48-215T	Call	225
<b>Drains</b>					
▪ Condensation Drain Holes	MOD21	All Non-EXP	143T-449T	2	225
▪ Brass Drain & Breather	MOD21	All Non-EXP	143T-449T	2	225
<b>Drip Covers</b>					
▪ Canopy Cover	MOD4	ODP, TEFC	48-256T	2	225
<b>Encoders (See page 225)</b>					
▪ Avtron M56-Black Max®/Blue Max®	MOD22	TENV, TEBC	56-449T	2	221
▪ Avtron HS25 & HS35	MOD22				
▪ Northstar SL56 - Black Max®/Blue Max®	MOD22	TENV, TEBC	56-449T	2	221
▪ Northstar SL56/SL85 - Black Max®/Blue Max® brake motors	MOD24	TENV	143T-256T	2	221
▪ Dynapar HS20 & HS35 -Black Max®/Blue Max®	MOD22	TENV, TEFC, TEBC	56-449T	2	221
▪ BEI HS35 - Black Max®/Blue Max®	MOD31	TENV, TEFC, TEBC	56-449T	2	221
▪ Stub Shaft	MOD42	TEFC	182-449T	2	225

\*Lead-time days does not include the day order is received



# MOD CENTRAL - Motor Modifications

MODIFICATION DESCRIPTION	MODIFICATION NUMBER	PRODUCT	FRAME	LEAD-TIME DAYS*	PAGE NUMBER
<b>Fan</b>					
▪ Oversized fan (see Inverter Duty modification)	MOD43	TEFC	213T-449T	2	226
▪ Non-Sparking Polypropylene Fan Cover	MOD44	TEFC	56-326T	Call	226
▪ Fan Removal	MOD44	All Non-EXP	56-449T	2	226
▪ Cast Iron Fan Cover	MOD44	All Non-EXP	143T-326T	Call	226
<b>Frequency</b>					
▪ Frequency Re-Rate 60 Hz to 50 Hz	MOD7	All	56-449T	1	226
<b>Grease/Fittings</b>					
▪ Grease Relief Fittings	MOD15	All Non-EXP	143T-449T	2	226
▪ Zerk Fittings (Cast Iron Motors)	MOD15	All Non-EXP	182T-449T	2	226
▪ Low Temperature Grease	MOD15	All	48-449T	2	226
▪ High Temperature Grease	MOD15	All	48-449T	2	226
<b>Grounding</b>					
▪ Conduit Box Grounding Lug	MOD20	All	56-449T	2	226
▪ On-Frame Grounding (Cast Iron Motors)	MOD20	All	143T-449T	2	226
▪ Shaft Grounding Brush	MOD20	Call	143T-5011L	2	226
<b>Inverter Duty Motors</b>					
▪ Variable Torque	MOD25	All	143T-449T	2	226
▪ Constant Torque	MOD26	All	143T-449T	2	226
▪ Constant Torque	MOD43	All	143T-449T	2	226
<b>Leads</b>					
▪ Reconnect Leads	MOD9	All	48-449T	2	227
▪ Terminal Lugs	MOD13	All	48-326T	2	227
▪ Remark Leads	MOD33	All	48-449T	2	227
▪ Longer Leads	MOD33	All Non-EXP	48-449T	2	227
<b>Mounting/Assembly (Example: F1 to F2)</b>					
▪ Convert to Floor, Top, Ceiling, or Wall	MOD1	All Non-EXP	143T-449T	2	227
▪ Convert to Floor, Top, Ceiling, or Wall	MOD39	Explosion Proof	143T-449T	2	227
▪ Adjustable Bases	MOD39	All	143T-449T	2	227
<b>Nameplates / Markings</b>					
▪ Replacement Nameplate	MOD7	All	48-5013L	1	228
▪ Stainless Steel Nameplate	MOD7	All	48-5013L	1	228
▪ Separate Nameplate for Customer Data	MOD7	All	48-5013L	2	228
▪ Additional Data on Nameplate	MOD7	All	48-5013L	1	228
▪ CE Marking	MOD7	All	48-449T	2	228
▪ Rotation Arrow	MOD7	Single Phase	48-256T	1	228
<b>Packaging</b>					
▪ Heat Treated Pallet	MOD29	All	56-449	3	228
<b>Paint</b>					
▪ Repaint to a Marathon stock color	MOD8	All	48-5013L	2-3	228
▪ Paint-Special Color	MOD8	All	48-5013L	3-4	228
<b>Screens</b>					
▪ Rodent Screens	MOD11	ODP	364T-449T	Call	228

\*Lead-time days does not include the day order is received

# MOD CENTRAL - Motor Modifications

MODIFICATION DESCRIPTION	MODIFICATION NUMBER	PRODUCT	FRAME	LEAD-TIME DAYS*	PAGE NUMBER
<b>Service Factor</b>					
▪ AC Motor Service Factor Re-Rating	MOD7	All Non-EXP	48-449T	1	229
<b>Severe Duty Construction</b>					
▪ Cast Iron Fan Cover and Conduit Box	MOD16	All Non-EXP	143T-449T	2	230
<b>Shaft Grounding Brush (see Grounding)</b>					230
<b>Shaft Modifications</b>					
▪ Drill & Tap Hole	MOD42	All	56-449T	3	230
▪ TS Shaft	MOD42	All	284T-449T	2	230
▪ Mill Flat on Shaft	MOD42	All	56-184T	2	230
▪ Steps on Shaft	MOD42	All	143T-449T	Call	230
▪ Stub Shaft Kit	MOD42	TEFC	182T-449T	2	225
<b>Space Heaters</b>					
▪ Space Heaters - ODP & TEFC	MOD12	All Non-EXP	56-5013L	2	230
▪ Space Heaters - IEC Frames	MOD12	IEC	100-250	2	230
▪ Space Heaters - Explosion Proof	MOD41	Explosion Proof	56-449T	2	230
<b>Terminal Blocks</b>					
▪ Terminal Block	MOD57	All Non-EXP	56-326T	Call	230
<b>Thermal Protection</b>					
▪ Thermostats - Windings	MOD14	All	56-449T	2	230
▪ Thermistors - Windings	MOD14	All Non-EXP	143T-449T	2	231
▪ Thermocouples - Windings or Bearing	MOD14	All Non-EXP	143T-449T	2	231
▪ Bearing Temperature Detector (RTDs)	MOD37	All Non-EXP	445T-449T	3	231
<b>Weatherproofing / Special Service</b>					
▪ Arctic Duty Motors	MOD58	TEFC-SD/841	143T-449T	Call	231
▪ Marine Duty Motors	MOD7	TEFC-SD/841	143T-449T	1	231
▪ Tropical Anti-Fungus Treatment	MOD5	All	48-449T	2	231
▪ Ford EM-1 Motors	MOD48	TEFC XRI®-SD	143T-449T	2	231
▪ Division 2 Motors	MOD49	Blue Chip®/XRI®	143T-449T	Call	231
▪ ATEX Zone 2 Motors	—	XRI-SD/841	143T-449T	Call	230

\*Lead-time days does not include the day order is received

## MOD CENTRAL - Stock Motors Only

(Mult. Symbol \$4 except where noted)

Contact Marathon Electric for all modification services on explosion proof motors and blower motors mounted to TEBC motors.

DESCRIPTION	LIST PRICE													
	MOD #	48	56	143-145	182-184	213-215	254-256	284-286	324-326	364-365	404-405	444-445	447- 449	
Altitude / Ambient	7	\$114	\$114	\$114	\$114	\$114	\$114	\$114	\$114	\$114	\$114	\$114	\$114	
<b>Bearings - Drive End</b>														
Convert Ball to Roller	18	-----	-----	-----	-----	-----	-----	-----	-----	-----	\$1,088	\$1,088	\$1,478	\$1,478
Convert Roller to Ball	18	-----	-----	-----	-----	-----	-----	-----	-----	-----	-----	-----	\$1,478	\$1,478
Sealed Bearings	18	-----	-----	\$197	\$263	\$263	\$362	\$461	\$625	\$1,084	\$1,084	\$1,478	\$1,478	
Insulated Bearings	18	-----	-----	\$461	\$526	\$526	\$1,530	\$1,645	\$1,645	\$1,737	\$1,776	\$1,882	\$2,061	
<b>Blowers</b>														
Axial Blower	19	-----	-----	-----	-----	\$1,914	\$2,043	\$2,336	\$2,701	\$3,320	\$3,813	\$4,014	\$4,561	
<b>Brackets*</b>														
C-Face Explosion Proof	2	-----	\$299	-----	-----	-----	\$689	\$1,146	\$1,564	\$1,799	\$1,799	\$2,867	\$3,329	
C-Face Non- Explosion Proof	2	-----	\$180	\$180	\$278	\$278	\$417	\$695	\$1,042	\$1,042	\$1,042	\$1,737	\$1,737	
C-Face IEEE 841	2	-----	-----	\$268	\$412	\$412	\$613	\$951	\$1,407	\$1,407	\$1,407	\$2,295	\$2,295	
D-Flange	17	-----	-----	-----	-----	-----	\$575	\$955	\$1,216	\$1,337	-----	-----	-----	

\*Addition of C-Face Kit to 143-256 frame motors results in non-NEMA 'BA' dimensions - see page 224.

# MOD CENTRAL - Stock Motors Only

## (Mult. Symbol S4 except where noted)

Contact Marathon Electric for all modification services on explosion proof motors and TEBC blower motors

DESCRIPTION	LIST PRICE												
	MOD #	48	56	143-145	182-184	213-215	254-256	284-286	324-326	364-365	404-405	444-445	447- 449
<b>Brakes</b>													
3 lb-ft brakes for TEFC motors	3	-----	\$563	\$563	-----	-----	-----	-----	-----	-----	-----	-----	-----
6 lb-ft brakes for TEFC motors	3	-----	\$632	\$632	-----	-----	-----	-----	-----	-----	-----	-----	-----
10 lb-ft brakes for TEFC motors	3	-----	\$737	\$737	-----	-----	-----	-----	-----	-----	-----	-----	-----
Vertical-Above or Vertical-Below	3	-----	-----	-----	-----	\$493	\$493	-----	-----	-----	-----	-----	-----
6 lb-ft brakes for Black Max (TENV) motors	3	-----	\$638	\$638	\$638	\$638	-----	-----	-----	-----	-----	-----	-----
10 lb-ft brakes for Black Max (TENV) motors	3	-----	\$775	\$775	\$775	\$775	\$775	\$775	\$775	-----	-----	-----	-----
<b>Conduit Box</b>													
Rotate Conduit Box Lead Opening	56	-----	-----	\$145	\$145	\$145	\$145	\$145	\$145	\$145	\$145	\$145	\$145
Convert to Cast Iron	56	-----	-----	\$145	\$158	\$158	\$174	\$188	\$217	-----	-----	-----	-----
Auxiliary Box (Condulet)	56	-----	-----	-----	\$217	\$217	\$289	\$289	\$289	\$434	\$434	\$434	\$434
<b>Connections</b>													
SO Cord, Plug, and Switch Single Phase	35	\$287	\$287	\$287	\$287	\$287	-----	-----	-----	-----	-----	-----	-----
<b>Drains</b>													
Condensation Drain Holes	21	-----	-----	\$171	\$171	\$171	\$191	\$191	\$191	\$191	\$191	\$191	\$191
Brass Drain & Breather	21	-----	-----	\$182	\$182	\$182	\$326	\$326	\$326	\$326	\$326	\$326	\$326
<b>Drip Cover</b>													
Canopy Cover (ODP & TEFC Motors)	4	\$145	\$145	\$145	\$145	\$191	\$287	-----	-----	-----	-----	-----	-----
<b>Encoders (NOTE: Multiplier Symbol E3)</b>													
Avtron M56	22	-----	\$2,038	\$2,038	\$2,038	\$2,038	\$2,038	\$2,038	\$2,038	\$2,038	\$2,038	\$2,038	\$2,038
Avtron HS25A	22	-----	\$950	\$950	\$950	\$950	\$950	\$950	-----	-----	-----	-----	-----
Avtron HS35A	22	-----	\$1,291	\$1,291	\$1,291	\$1,291	\$1,291	\$1,291	\$1,291	\$1,291	\$1,291	\$1,291	\$1,291
Avtron M3	22	-----	\$2,500	\$2,500	\$2,500	\$2,500	\$2,500	\$2,500	\$2,500	\$2,500	\$2,500	\$2,500	\$2,500
Avtron HS35M	22	-----	\$1,495	\$1,495	\$1,495	\$1,495	\$1,495	\$1,495	\$1,495	\$1,495	\$1,495	\$1,495	\$1,495
NorthStar SL56	22	-----	\$2,038	\$2,038	\$2,038	\$2,038	\$2,038	\$2,038	\$2,038	\$2,038	\$2,038	\$2,038	\$2,038
Dynapar HS20	22	-----	\$600	\$600	\$600	\$600	\$600	\$600	\$600	\$600	\$600	\$600	\$600
Dynapar HS35	22	-----	\$1,291	\$1,291	\$1,291	\$1,291	\$1,291	\$1,291	\$1,291	\$1,291	\$1,291	\$1,291	\$1,291
NorthStar HSD35	24	-----	\$1,395	\$1,395	\$1,395	\$1,395	\$1,395	\$1,395	\$1,395	\$1,395	\$1,395	\$1,395	\$1,395
BEI HS35	31	-----	\$1,291	\$1,291	\$1,291	\$1,291	\$1,291	\$1,291	\$1,291	\$1,291	\$1,291	\$1,291	\$1,291
Turck A02H	-----	-----	-----	-----	-----	-----	-----	\$1,450	\$1,450	\$1,450	\$1,450	\$1,450	\$1,450
Stub Shaft (TEFC only)	42	-----	-----	-----	\$350	\$350	\$350	\$350	\$350	\$350	\$350	\$350	\$350
Encoders for Blue Max brakemotors	----	-----	-----	-----	-----	-----	-----	-----	-----	-----	-----	-----	-----
<b>Fan</b>													
Oversized fan (Inverter Duty)	43	-----	-----	-----	-----	\$230	\$263	\$263	\$263	\$296	\$329	\$329	\$329
Non-Sparking Polypropylene Fan/ Cover	44	-----	\$179	\$179	\$225	\$225	\$261	\$261	\$299	-----	-----	-----	-----
Fan Removal	44	-----	\$145	\$145	\$182	\$182	\$217	\$217	\$217	\$254	\$254	\$254	\$254
Cast Iron Fan Cover	44	-----	-----	-----	\$145	\$145	\$188	\$188	\$217	-----	-----	-----	-----
<b>Frequency</b>													
Frequency Re-Rate 60HZ to 50HZ	7	-----	\$114	\$114	\$114	\$114	\$114	\$114	\$114	\$114	\$114	\$114	\$114
<b>Grease/Fittings</b>													
Grease Relief Fittings	15	-----	-----	\$174	\$174	\$174	\$174	\$174	\$174	\$174	\$174	\$174	\$174
Zerk Fittings (Cast Iron Motors)	15	-----	-----	-----	\$276	\$276	\$276	\$276	\$276	\$276	\$276	\$276	\$276
Low Temperature Grease	15	\$461	\$461	\$461	\$816	\$816	\$816	\$816	\$816	\$1,092	\$1,461	\$1,461	\$1,461
High Temperature Grease	15	\$461	\$461	\$461	\$816	\$816	\$816	\$816	\$816	\$1,092	\$1,461	\$1,461	\$1,461
<b>Grounding</b>													
Conduit Box Grounding Lug	20	-----	\$105	\$105	\$118	\$118	\$145	\$145	\$145	\$191	\$191	\$191	\$191
On-Frame Grounding (Cast Iron Motors)	20	-----	-----	\$145	\$158	\$158	\$239	\$239	\$239	\$334	\$334	\$334	\$334
Shaft Grounding Brush	20	-----	-----	\$474	\$513	\$513	\$553	\$553	\$553	\$592	\$592	\$592	\$592
Shaft Grounding Ring	20	-----	\$395	\$441	\$456	\$472	\$681	\$711	\$788	\$950	\$1,038	\$1,327	\$1,327
<b>Inverter Duty Motors</b>													
Variable Torque	25	-----	-----	\$278	\$278	\$278	\$278	\$278	\$278	\$278	\$278	\$278	\$278
Constant Torque (fan chg, t-stats, re-nameplate)	26	-----	-----	\$278	\$278	\$278	\$441	\$441	\$441	\$441	\$542	\$542	\$542
Constant Torque (fan chg, re-nameplate)	43	-----	-----	-----	\$230	\$230	\$263	\$263	\$263	\$296	\$329	\$329	\$329
<b>Leads</b>													
Reconnect Leads (Non-Explosion Proof)	9	\$168	\$168	\$168	\$249	\$249	\$439	\$439	\$439	\$575	\$575	\$575	\$575
Reconnect Leads (Explosion Proof)	9	-----	\$271	\$271	\$417	\$417	\$562	\$562	\$562	\$709	\$709	\$709	\$709
Terminal Lugs	13	\$125	\$125	\$125	\$145	\$145	\$158	\$158	\$158	-----	-----	-----	-----
Remark Leads	33	\$176	\$176	\$176	\$176	\$176	\$176	\$176	\$176	\$176	\$176	\$176	\$176
Longer Leads	33	\$138	\$138	\$138	\$207	\$207	\$362	\$362	\$362	\$507	\$507	\$507	\$507

MOD CENTRAL

# MOD CENTRAL - Stock Motors Only

(Mult. Symbol S4 except where noted)

Contact Marathon Electric for all modification services on explosion proof motors and TEFC blower motors

DESCRIPTION	LIST PRICE												
	MOD #	48	56	143-145	182-184	213-215	254-256	284-286	324-326	364-365	404-405	444-445	447- 449
<b>Mounting/ Assembly (Ex. F1 to F2)</b>													
Non-Explosion Proof	1	-----	-----	\$209	\$209	\$209	\$278	\$278	\$278	\$347	\$347	\$347	\$347
Explosion Proof	39	-----	-----	\$487	\$487	\$487	\$555	\$555	\$555	\$626	\$626	\$626	\$626
Adjustable Motor Bases	39	-----	-----	\$246	\$261	\$275	\$326	\$362	\$457	\$536	\$717	\$839	\$963
<b>Nameplates / Markings</b>													
Replacement Nameplate	7	\$114	\$114	\$114	\$114	\$114	\$114	\$114	\$114	\$114	\$114	\$114	\$114
Stainless Steel Nameplate	7	\$114	\$114	\$114	\$114	\$114	\$114	\$114	\$114	\$114	\$114	\$114	\$114
Separate Nameplate for Customer Data	7	\$114	\$114	\$114	\$114	\$114	\$114	\$114	\$114	\$114	\$114	\$114	\$114
Additional Data on Nameplate	7	\$114	\$114	\$114	\$114	\$114	\$114	\$114	\$114	\$114	\$114	\$114	\$114
CE Marking	7	\$114	\$114	\$114	\$114	\$114	\$114	\$114	\$114	\$114	\$114	\$114	\$114
Rotation Arrow	7	\$114	\$114	\$114	\$114	\$114	\$114	-----	-----	-----	-----	-----	-----
<b>Packaging</b>													
Heat Treated Pallets (Air or Ground Freight)	29	-----	\$50	\$50	\$50	\$125	\$125	\$250	\$250	\$250	\$250	\$250	\$250
<b>Paint</b>													
Repaint to a Marathon Stock Color	8	\$211	\$211	\$211	\$211	\$211	\$263	\$263	\$263	\$461	\$461	\$461	\$592
Paint- Special Color	8	\$211	\$211	\$211	\$211	\$211	\$263	\$263	\$263	\$461	\$461	\$461	\$592
<b>Screens</b>													
Rodent Screens	11	-----	-----	-----	-----	-----	-----	-----	-----	\$661	\$661	\$661	\$661
<b>Service Factor</b>													
AC Motor Service Factor Re-Rating	7	\$114	\$114	\$114	\$114	\$114	\$114	\$114	\$114	\$114	\$114	\$114	\$114
<b>Severe Duty Construction</b>													
Cast Iron Fan Cover and Conduit Box	16	-----	-----	\$157	\$239	\$263	\$382	\$536	\$611	\$461	\$461	\$461	\$461
<b>Shaft Modifications</b>													
Drill & Tap Hole	42	-----	\$174	\$174	\$197	\$257	\$316	\$316	\$458	\$507	\$572	\$724	\$724
TS Shaft	42	-----	-----	-----	-----	-----	-----	\$1,579	\$1,579	\$1,711	\$1,911	\$1,911	\$1,911
Mill Flat on Shaft	42	-----	\$174	\$174	\$197	-----	-----	-----	-----	-----	-----	-----	-----
Steps on Shaft	42	-----	-----	\$217	\$289	\$289	\$362	\$434	\$507	\$579	\$651	\$724	\$796
Stub Shaft (TEFC only)	42	-----	-----	-----	\$350	\$350	\$350	\$350	\$350	\$350	\$350	\$350	\$350
<b>Space Heaters</b>													
ODP & TEFC	12	-----	\$278	\$278	\$400	\$400	\$471	\$471	\$471	\$661	\$661	\$661	\$661
Explosion Proof	41	-----	\$417	\$417	\$525	\$525	\$661	\$661	\$661	\$800	\$800	\$800	\$800
<b>Terminal Blocks</b>													
Terminal Block	57	-----	\$316	\$316	\$395	\$395	\$474	\$474	\$474	\$526	\$526	\$605	\$605
<b>Thermal Protection</b>													
Thermostats - Windings (Single Phase)	14	-----	\$191	\$191	\$191	\$191	-----	-----	-----	-----	-----	-----	-----
Thermostats - Windings (Three Phase)	14	-----	\$278	\$278	\$278	\$278	\$278	\$278	\$278	\$278	\$278	\$278	\$278
Thermistors (Non Explosion Proof motors)	14	-----	-----	\$522	\$522	\$522	\$522	\$522	\$522	\$522	\$522	\$522	\$522
Thermistors (Explosion Proof motors)	14	-----	-----	\$1,053	\$1,053	\$1,053	\$1,053	\$1,053	\$1,053	\$1,053	\$1,053	\$1,053	\$1,053
Thermistors (including Control Module)	14	-----	-----	\$1,391	\$1,391	\$1,391	\$1,391	\$1,391	\$1,391	\$1,391	\$1,391	\$1,391	\$1,391
Thermocouples - Winding or Bearing	14	-----	-----	\$305	\$305	\$305	\$399	\$399	\$399	\$575	\$575	\$575	\$575
Bearing Temperature Detector (RTDs)	37	-----	-----	-----	-----	-----	-----	-----	-----	-----	-----	\$3,074	\$3,074
<b>Weatherproofing / Special Service</b>													
Arctic Duty Motors -25° to -30°C Ambient)	58	-----	-----	\$278	\$400	\$400	\$471	\$471	\$471	\$661	\$661	\$661	\$661
Arctic Duty Motors -30° to -35°C Ambient)	58	-----	-----	\$730	\$1,204	\$1,204	\$1,274	\$1,274	\$1,274	\$2,101	\$2,101	\$2,101	\$2,101
Marine Duty Motors (Type 1)	7	\$114	\$114	\$114	\$114	\$114	\$114	\$114	\$114	\$114	\$114	\$114	\$114
Tropical Anti- Fungus Treatment	5	\$242	\$242	\$242	\$242	\$242	\$313	\$313	\$313	\$382	\$382	\$382	\$382
Ford EM-1 Motors	48	-----	-----	\$150	\$150	\$150	\$150	\$150	\$150	\$114	\$114	\$114	\$114
Division 2 Hazardous (CSA Certified)	49	-----	-----	\$114	\$339	\$339	\$441	\$441	\$441	\$224	\$224	\$224	\$224
ATEX Zone 2 Hazardous	TBD	-----	-----	\$1,550	\$1,642	\$1,642	\$1,943	\$1,943	\$1,943	\$2,305	\$2,305	\$2,384	\$2,384

MOD CENTRAL

## IEC Motors

DESCRIPTION	LIST PRICE												
	MOD #	63	71	80	90	100	112	132	160	180	200	225	250
<b>Brackets</b>													
FF Flange (B5)	55	\$211	\$224	\$237	\$250	\$270	\$322	\$342	\$487	\$513	\$855	\$1,283	\$1,283
FT Flange (B14)	55	\$204	\$211	\$224	\$237	\$250	\$270	\$329	\$480	-----	-----	-----	-----
Space Heaters	12	-----	-----	-----	-----	\$405	\$502	\$502	\$554	\$554	\$554	\$693	\$693
Other modifications	----	CONSULT FACTORY											

# MOD CENTRAL - Motor Modifications

## Altitude / Ambient - MOD7 (Mult. Symbol S4)

The rating of standard motors assumes operation at sea level. Listed motors are suitable for operation at altitudes up to 3,300 feet in a maximum ambient temperature of 40°C. The ambient temperature is the temperature of the cooling medium surrounding the motor. All standard motors are suitable for operation over the range of -15°C to 40°C ambient per NEMA MG-1.

## AC Motor Altitude or Ambient Re-Rating

Re-rating of a non-explosion proof motor can be done by evaluating the performance data and possibly changing the Service Factor. Contact Marathon Electric for motor capabilities prior to motor selection and modification.

## Bearings - MOD18 (Mult. Symbol S4)

Most standard motors use anti-friction deep groove Conrad type ball bearing, sized for the loads to be expected in industrial applications. Roller bearings are used on the drive end to handle heavy or overhung (radial) shaft loads.

## Ball to Roller Bearing

Roller bearings have the capability to handle higher radial loads than ball bearings, but must have minimum radial loads to operate correctly. Roller bearings must only be used on belted loads. They are not suitable for direct-coupled loads. (Marathon Electric recommends that belting data is reviewed by Engineering prior to converting any motor to roller bearing.) This option includes replacing only the standard drive end bearing with a roller bearing and locking the opposite bearing axially. Available on TEFC Blue Chip™ and Blue Chip™ XRI® motors. Lead-time is 3 days.

## Roller to Ball Bearing

Larger horsepower motors are stocked standard with a roller bearing on the drive end. For direct-coupled applications, a ball bearing must be installed on the drive-end. Lead-time is 2 days.

## Sealed Bearing

This modification provides the option of replacing the standard bearings in AC motors with sealed bearings and replacing the grease fittings with plugs. May not be suitable for belted applications. Consult Marathon Electric for full application details. Call for lead-time.

## Insulated Bearing

Insulated bearings are used to reduce the transmission of shaft currents. In accordance with NEMA MG1-31.4.4.3, both bearings must be insulated to protect inverter-driven motors from inverter-sourced shaft voltages. The connected load must also be insulated from the motor shaft to prevent damage to its bearings. Per UL, insulated bearings may **not** be installed in Division 1 or Division 2 hazardous locations. Division 2 will be removed from XRI®-Severe Duty and IEEE 841 motors when this modification is performed. Call for lead-time.

## Blowers - MOD19 (Mult. Symbol S4)

Low rotational speeds, common in many vector drive applications, cause additional heat within the motor. As a result, these motors are designed as TENV or TEBC. Marathon Electric offers two types of blower units, depending upon the application requirements. The axial blower is available on Marathon's XRI® and XRI®-Severe Duty.

## Axial Blower

Most TEBC requirements are satisfied with Marathon's axial blower. The blower motor and fan are in the same (horizontal) plane as the motor drive shaft. Lead-time is 3 days.

## C-Face Brackets - MOD2 (Mult. Symbol S4)

The addition of a C-Face kit to a standard foot mount (rigid base) motor, results in a non-NEMA "BA" dimension in 143-256 Frames due to NEMA's establishment of two distinct "BA" dimensions for each of the affected frame sizes: one for rigid base motors and another for C-Face/rigid base motors. No motor manufacturer can meet both prescribed dimensions on reworked motors. The following table identifies the "BA" dimensions (defined as the distance from the center of the front foot hole to the shaft shoulder) for 143T-256T and TC frames:

NEMA FRAME	FOOT MOUNT*	C-FACE
143T-145T	2.38"	2.75"
182T-184T	2.75"	3.50"
213T-215T	3.50"	4.25"
254T-256T	4.25"	4.75"

\* C-Face Kit (rework) "BA" dimension is identical to foot mount "BA."

## D-Flange Brackets - MOD17 (Mult. Symbol S4)

Add a D-Flange Kit to rigid base, cast iron motor. Available on Blue Chip 254T-365T and Dripproof 284T-286T ("TTDP" and "TTDC" designs). Addition of D-Flange Kit results in non-NEMA 'BA' dimension or 254T-256T. Lead time is 2 days.



# MOD CENTRAL - Motor Modifications

## IEC Brackets - MOD55 (Mult. Symbol S4)

### B14 FT Flange (IEC C-Face)

IEC mounting arrangement with the motor flange at the drive end similar to a NEMA C-Face motor. Modification includes motor disassembly and installation of a FT Flange to a Globetrotter® motor. Lead-time is 2 days.

### B5 FF Flange (IEC D-Flange)

IEC mounting arrangement with the motor flange at the drive end similar to a D-Flange. Modification includes motor disassembly and installation of a FF Flange to Globetrotter® motor. Lead-time is 2 days.

## Brake Motors - MOD3 (Mult. Symbol S4)

Spring-set, electrically released mechanical disc brakes are available for stopping and/or holding the load. Marathon's brakes are suitable for any angle mounting. Price of modification includes brake kit and installation.

MOTOR HP	BRAKEMOTOR SHAFT R.P.M.		
	LB-FT @3600	LB-FT @1800	LB-FT @1200
1/4	---	---	3
1/3	---	3	3
1/2	3	3	3
3/4	3	6	6
1	3	6	6
1 1/2	6	10	10
2	6	10	---

## Brake Selection Chart

\*\* For normal (140%) torque rating, do not apply on motors larger than 2 HP. Reduced braking torque and /or longer stopping times can result from applying an undersized brake on higher HP motors.

## Brake Motors

This modification includes the addition of a 3, 6, or 10 lb-ft brake to single or three phase, TEFC, 56 (5000-series model numbers and 143/145T Frame motors. Price of modification includes brake kit and installation. Operating voltages are 115, 208, 230, 460, and 575 volts and must be specified at time of order. Lead-time is 3 days.

## Brake Motors-Inverter Duty

This modification includes the addition of a 6 or 10 lb-ft brake to Marathon Electric's Blue Max® and Black Max® Vector Duty motors. Price of modification includes brake kit and installation. Operating voltages are 115, 208, 230, 460, or 575 volts and need to be specified at time of order. Lead-time is 3 days.

## Double C-Face Coupler Brake

This modification includes the addition of a double C-Face coupler brake to any NEMA 56C, 143TC, or 145TC motor. The coupler brakes can be installed on a single phase, 115/208-230 Volt motor on the high voltage connection or on a three phase, 208-230/460

Volt motor. Price of modification includes brake kit and installation.

NEMA 4X Coupler Brake is BISSC approved for the baking industry and can be used with Marathon's PowerWash™ SXT-Plus motors. Lead-time is 3 days.

MOD NUMBER	BRAKE RATING	BRAKE SERIES	LIST PRICE PER MOTOR
MOD3X	3 FT. LB.	56,000	\$410
	6 FT. LB.		
	10 FT. LB.		
	15 FT. LB.		
MOD3Y	25 FT. LB.	87,000	\$510
	35 FT. LB.		
	50 FT. LB.		
	75 FT. LB.		
	105 FT. LB.		

## Electrical Modifications-Brake Coil

Changing of brake coil allows operation of brakes at various voltages on 50 or 60 Hertz power supplies with DC supplies. Available voltage coils at 50 HZ are 110 or 110/220 volts and at 60 HZ are 115 or 115/230 volts. External brake coil lead connections will be brought out from the brake. Specify brake lead location, voltage of brake coil, frequency of supply source at time of order. Lead-time is 5 days.

MOD NUMBER	BRAKE RATING	ENCLOSURE TYPE	LIST PRICE PER MOTOR
MOD3O	3 FT. LB.	NEMA 2, IP23	\$508
MOD3P	6 FT. LB.	NEMA 2, IP23	\$547
MOD3Q	10 FT. LB.	NEMA 2, IP23	\$598
MOD3R	3 FT. LB.	NEMA 4, IP54	\$585
MOD3S	6 FT. LB.	NEMA 4, IP54	\$637
MOD3T	10 FT. LB.	NEMA 4, IP54	\$688
MOD3U	3 FT. LB.	NEMA 4X, IP55	\$649
MOD3V	6 FT. LB.	NEMA 4X, IP55	\$688
MOD3W	10 FT. LB.	NEMA 4X, IP55	\$739

## Conduit Box - MOD56 (Mult. Symbol S4)

Standard conduit box construction is based on the individual product description, e.g. severe duty motors always have a cast iron conduit box, while some standard duty motors come with stamped steel and others cast iron. Conduit boxes meet or exceed NEC 430.12 requirements for volume.

Termination of protective or monitoring devices can be provided in a separate auxiliary conduit box or conduit. Auxiliary conduit boxes are not available on explosion proof motors.

## MOD CENTRAL - Motor Modifications

### Rotate Conduit Box Lead Opening

Standard motors have lead opening facing down toward motor base. Modifications include rotating the conduit box so the lead opening is facing the desired direction. Specify lead opening location facing conduit box. Available on non-explosion proof motors. Lead-time is 2 days.

### Convert to Cast Iron

Replacement of steel conduit box with a cast iron conduit box. This modification is available on non-explosion proof cast iron motors as Marathon's explosion proof integral stock motors come standard with a cast iron conduit box. Lead-time is 2 days.

### Auxiliary Box (Condulet)

A condulet can be added to the main motor conduit box for routing of accessory leads. Available on ODP and TEFC (non-explosion proof) motors. Call for lead-time.

### Connections - MOD35 (Mult. Symbol S4)

Motor connections consist of special cords, plugs, and switches added to the motor.

### SO Cord, Plug, and Switch-Single Phase

On single phase, TEFC motors only. Install an 8' long jacketed SO cord, on/off toggle switch with guard, and 115 volt plug on motors up to 1-1/2 HP. Specify assembly rotation at time of order. Lead-time is 5 days.

### Drains - MOD21 (Mult. Symbol S4)

Standard duty motors include a weep hole as standard, while severe duty and explosion proof motors include a brass drain/breather as standard. These are located in the drive end bracket at the lowest point.

### Condensation Drain Holes

Additional drilled holes will be made in both end brackets of TEFC motors. Not available on explosion proof motors. Lead-time is 2 days.

### Brass Drain & Breather

Combination self-draining and breather plugs are available on TEFC motors. Not available on explosion proof motors. Lead-time is 2 days.

### Drip Covers - MOD4 (Mult. Symbol S4)

Drip covers can be furnished on standard motors for extra protection from dripping liquids and falling objects when the motor is mounted in the vertical shaft down position. These covers are recommended on all open dripproof and totally enclosed motors for vertical shaft down operation. These covers have no vertical lifting provisions provided.

### Canopy Cover (ODP and TEFC Motors)

Modification includes installation of a sheet metal drip cover to the motor for vertical shaft down mounting. Available on rolled steel Dripproof motors through 256T frame and select TEFC motors. Lead-time is 2 days.

### Encoders - MOD22, MOD24, MOD31 (Mult. Symbol E3)

These electrical devices sense rotor speed and direction providing feedback to a control device. An encoder is a feedback device that translates mechanical motion into an electrical signal. A cable is connected from the encoder to the variable frequency drive to provide this feedback. Various mechanical provisions on the motor are required to attach the encoder. These may include C-Face on the non-drive end of the motor and special shaft extension. Various resolutions are available. All encoders offered have quadrature signal with line driver output.

Encoders can be mounted on Black Max® and Blue Max® 2000 Vector Duty motors, TENV 56 through 286T Frame, TEFC construction in 284T through 449T Frame.

### Stub Shaft MOD 42 (Mult Symbol S4)

Add Stub Shaft to Fan Cooled XRI-SD, XRI-841 (182-449 Frames) to accommodate addition of encoder on opposite drive end of motor. Lead time 2 days.

### Fan - MOD44 (Mult. Symbol S4)

Marathon Electric's XRI® Severe Duty and IEEE841 motors have non-sparking fans made with, high-temperature, reinforced corrosion resistant plastic that is impervious to chemical attack and has been specially designed for motor applications. All motors utilize bi-directional cooling fans.

## MOD CENTRAL - Motor Modifications

### Non-Sparking Polypropylene Fan / Fan Cover

Modification includes the removal of the original fan and fan cover and replacing with a non-sparking polypropylene fan and fan cover. Marathon's XRI®-Severe Duty and IEEE841 come standard with non-sparking fans and fan covers. Call for lead-time.

### Fan Removal

TEFC to TEAO. Convert a motor from totally enclosed, fan cooled construction to totally enclosed, air-over by removing fan cover, fan, and cutting off the fan end shaft. The modified motor must be mounted in the air stream of the driven fan for cooling purposes. The customer is responsible for providing adequate airflow over the motor. Lead-time is 2 days.

### Cast Iron Fan Cover

Modification includes removal of the polypropylene fan cover on Blue Chip® and XRI® motors and installation of a cast iron cover. Call for lead-time.

### Frequency - MOD7 (Mult. Symbol S4)

Most motors commonly operate on 60 hertz (HZ) within North America. However, 50 hertz systems are common in other countries.

### Frequency Re-Rate 60 HZ to 50 HZ

Marathon Electric's standard motors rated at 60 HZ may be operated at 50 HZ at reduced voltage and horsepower or Service Factor. A label containing specific re-rating information will be attached to the motor. Frame size is subject to change. Leadtime is 1 day.

### Grease / Fittings - MOD15 (Mult. Symbol S4)

Standard grease is Exxon Polyrex® EM with a bearing operating temperature range of -30° to +150°C for ball and roller bearings. Devices for installing grease into the motors, such as zerk fittings, are available.

### Grease Relief Fittings

Install standard grease relief fitting on motor. Grease relief fittings serve as an outlet to equalize pressure in the motor. Not available on explosion proof motors. Lead-time is 2 days.

### Zerk Fittings (Cast Iron Motors)

Replace standard grease plugs on motors with zerk fittings. XRI® Severe Duty and IEEE841 motors come with zerk fittings as standard equipment. Not available on explosion proof motors. Lead-time is 2 days.

### Low Temperature Grease

Bearing grease may be changed to allow for a lower operation range. The motor bearings and end bells are purged and repacked with Beacon 325 grease or equivalent with a temperature range of -60°C

to +120°C. Call for lead-time.

### High Temperature Grease

Bearing grease may be changed to allow for a higher operating range. The motor bearings and end bells are purged and repacked with Dow Corning DC44M grease or equivalent with a temperature range of -40° to +204°C. Call for lead-time.

### Grounding - MOD20 (Mult. Symbol S4)

All motors 48 to 449T Frame have grounding provisions per NEMA and NEC Standards. Explosion proof motors are permitted to have a frame ground, but electrical ground in conduit box must also be connected.

### Conduit Box Grounding Lug

Add clamp-type grounding lug in the conduit box. Lead-time is 2 days.

### On-Frame Grounding (Cast Iron Motors)

Addition of drilled and tapped hole on conduit box side of frame with installation of grounding lug. Available on non-explosion proof cast iron ratings only. Lead-time is 2 days.

### Shaft Grounding Brush

Shaft grounding brushes are recommended (NEMA MG1 31.4.4.3) as an effective means of bearing protection for motors operated from inverter power. One brush is adequate to bleed down inverter-sourced shaft voltages, thereby protecting both bearings for motors as large as 5011 frame. May not be installed on motors used in Division 1 or Division 2 hazardous locations. Does not fit all motor types. Contact factory for lead-time.

### Inverter Duty Motors - MOD25, MOD26, and MOD43 (Mult. Symbol S4)

"Inverter Duty" describes a class of motors that are capable of operation from a variable frequency drive. Many Marathon general purpose motors are suitable for most variable torque and some limited constant torque applications.

These motors do not have provisions for mounting encoders, but are suitable for use with volts/hertz or open loop vector controls. As required under Federal law, these motors comply with EPAct efficiencies when operating from utility power.

# MOD CENTRAL - Motor Modifications

## INV. DUTY (LEADTIME 2 DAYS)

Mod #	Appl.	Mtr. Type	Mod
25	Variable Torque	Any	Add thermostats, re-nameplate
26	10:1 CT	EPACT TEFC	Oversized fan, Add thermostats, re-nameplate
	20:1 CT	XRI TEFC	
43	10:1 CT	EPACT TEFC	Oversized fan, re-nameplate
	20:1 CT	XRI TEFC	

Operation of motor on VFD exempts motor from Epact mandated efficiency levels.

## Leads - MOD9, MOD13, MOD33, and MOD40 (Mult. Symbol S4)

All motors are provided with standard leads of ample length for easy connection in the conduit box to the power leads. Lead size and material are dependent upon the class of insulation system in the motor and the current capacity required.

## Reconnection - MOD9

Reconnect dual voltage 9-lead or 12-lead motors to a 3-lead single voltage. Specify desired voltage when ordering. On single phase motors, specify rotation.

\*Part Winding Start and Star-delta connections are excluded.

## Terminal Lugs - MOD13

Addition of a crimp-type terminal. Marathon's 364T Frame and larger come standard with lead lugs. Lead-time is 2 days.

## Remark Leads - MOD33

Using cloth markers, remark leads with numbers or letters. Please specify markings. Lead-time is 2 days.

## Longer Leads - MOD33

Extend leads up to two feet longer than standard by splicing. Splice will be visible in conduit box. Not available on explosion proof motors. Lead-time is 2 days.

## Mounting/Assembly - MOD1 and MOD39 (Mult. Symbol S4)

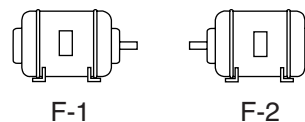
Motors listed are horizontal, foot mounted. Many stock dripproof motors can be furnished in assembly positions shown below. Modification includes repositioning of vents, baffles, drains, and conduit box, where applicable.

### Convert to Floor, Ceiling, or Wall Mount

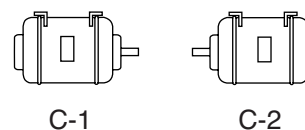
Convert standard F1 mount to F2, W1, W2, W3, W4, W5, W6, W7, W8, C1, or C2 mount. The mounting symbol is required when ordering to indicate the proper mounting.

**Example:** Motor will be modified F1 to wall mounting W3.

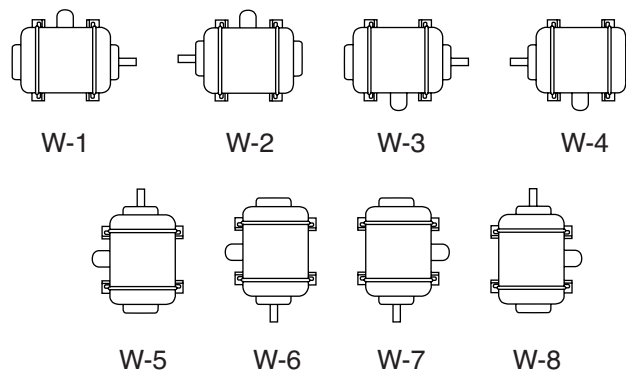
### FLOOR MOUNTING ASSEMBLIES



### CEILING MOUNTING ASSEMBLIES



### WALL MOUNTING ASSEMBLIES



## Mounting MOD1 and MOD39 (con't)

When motors are ordered according to a particular mounting symbol, end brackets are assembled and grease fittings are properly installed for operation with the motor in the position shown. No attempt is made to locate fittings on any particular side of the motor. Horizontal ball bearing motor assembly W5, W6, W7, and W8 are not suitable for external thrust in excess of weight of the rotor and half-coupling. Cast Iron ODP and TEFC, 360 and larger, are not suitable for vertical operation. Consult Engineering for TEFC Build Up. Lead-time is 2 days.

## Adjustable Motor Bases - MOD39

Adjustable bases are a convenient means for adjusting belt tension or may be used as mounting plates. Adjustable motor bases are bolted to fixed base of motor prior to shipping. NEMA 215T and smaller bases feature one adjusting screw. Bases on NEMA 254T and larger feature two adjusting screws. Bases are not suitable for vertical mounting. Lead-time is 2 days.



# MOD CENTRAL - Motor Modifications

## Nameplates / Markings - MOD7 (Mult. Symbol S4)

Nameplate material is mylar or stainless steel depending on motor design and enclosure.

### Replacement Nameplate

A duplicate replacement can be provided, but will not have CSA or UL Listings unless installed to motor in a Marathon Electric facility. Lead-time is 1 day.

### Stainless Steel Nameplate

Replace existing mylar nameplate with 304 stainless steel nameplate. Lead-time is 1 day.

### Separate Nameplate for Customer Data

A separate customer nameplate can be furnished. Information contained must be submitted at time of order. These additional nameplates cannot be supplied with CSA or UL Listings unless installed to motor in a Marathon Electric facility. Lead-time is 2 days.

### Additional Data on Nameplate

Motors can be re-nameplated for alternate ratings. Changes in horsepower, altitude, ambient, voltage, frequency, etc. Lead-time is 1 day.

### CE Marking

CE compliant marking can be provided for all non-explosion proof NEMA frame motors. Many stock motors already contain CE marking. Lead-time is 2 days.

### Rotation Arrow

All motors utilize bi-directional cooling fans. Specify rotation facing shaft extension on order entry form. Available on Single Phase only. Lead-time is 1 day.

### Packaging - MOD29 (Mult. Symbol S4)

ISPH-15 requires the use of heat-treated wooden packaging materials when shipping into all foreign countries (a temporary exemption exists for Canada). Modification includes replacement of wooden pallet with heat-treated pallet. Does not include export crating for ocean freight.

### Paint - MOD8 (Mult. Symbol S4)

The standard paint finish is a two-coat paint system. The first coat is a rust-inhibitive primer applied to protect the castings during storage and manufacturing. The second coat is a powder coat on 48-140 frame, enamel on non-severe duty motors, or a 2-part epoxy on severe duty 180-5000 frame motors.

Special paints and color options are available if compatible and reviewed by application engineering. Paint chips and material safety data sheets are required.

### Repaint to a Marathon Stock Color

Repaint motor to another Marathon Electric stock paint color. Colors include: Marathon Electric Blue Chip® blue, PowerWash™ white, farm duty black, green, Fire Pump red, light gray, or dark gray. Specify color on order. Leadtime on enamel paint is 2 days. Epoxy paint requires a 3 day lead-time.

### Repaint to a Special Customer Color

Repaint to a Special Customer paint color by obtaining paint chip from customer and making the proper match. Lead-time is 3 days from the date the paint color is confirmed from the customer. Epoxy paint requires a 4 day lead-time.

### Screens - MOD11 (Mult. Symbol S4)

Corrosion resistant screens can be furnished over the air intake and discharge openings of cast iron dripproof motors. Dripproof motors equipped with these screens conform to the dripproof guarded definition appearing in NEMA MG-1, Part 1.

### Rodent Screens (ODP Motors)

Includes disassembly of dripproof motors and the installation of corrosion-resistant rodent screens on all air inlet and discharge openings. Call for lead-time.

### Service Factor - MOD7 (Mult. Symbol S4)

A multiplier that may be applied to the rated horsepower of a motor, which indicates a permissible horsepower loading at rated voltage and frequency.

### AC Motor Service Factor Re-Rating

When a 1.15 Service Factor or higher is required, please refer to the list adder. Frame size is subject to change. Not available on explosion proof motors. Lead-time is 1 day.

### Severe Duty Construction - MOD16 (Mult. Symbol S4)

This modification starts with a Marathon Blue Chip® Totally Enclosed cast iron frame motor and reworks it to all cast iron construction. With additional enhancements, the motor is prepared for a severe or harsh industrial environment.

Remove polypropylene fan cover and sheet metal conduit box from the motor and replace with cast iron fan cover, threaded and gasketed conduit box, apply epoxy finish to motor exterior, and add brass drain and breather. Lead-time is 2 days.



## Shaft Modification - MOD42 (Mult. Symbol S4)

Motors are furnished with a single straight shaft with sled runner keyway and a rectangular key. For motors in frames 143T through 449T, a long shaft for V-Belt drive is supplied. 2-Pole motors in frames 324 through 449 and certain other 4-Pole ratings are furnished with short shafts for direct connections. Modifications are for existing shafts only. Not applicable if a new shaft is required.

### TS Shaft

Convert "T" frame shaft to a "TS" Frame shaft. Modify motor by reducing the shaft, adding new keyway, and shortening the shaft length to the NEMA "TS" dimension. Lead-time is 2 days.

### Drill & Tap Hole

Drilled radially or in the end of the shaft. Drilled and tapped in the end of the shaft. Lead-time is 3 days.

### Mill Flat on Shaft

Mill a flat on the drive end shaft extension. Provide detail of flat with the order. Lead-time is 2 days.

### Steps on Shaft

One to three reductions in shaft diameter. Customer to specify number of reductions at time of order. Call for lead-time.

## Stub Shaft MOD 42 (Mult Symbol S4)

Add Stub Shaft to Fan Cooled XRI-SD, XRI-841 (182-449 Frames) to accommodate addition of encoder on opposite drive end of motor. Lead time 2 days.

## Space Heaters - MOD12 and MOD41 (Mult. Symbol S4)

Space heaters are used to prevent the build-up of condensation on the windings of the motor when the motor is not operating. Space heaters are typically installed on the end-turns of the coils.

## Space Heaters - ODP & TEFC - MOD12

Space heaters can be furnished on dripproof and totally enclosed motors. Heater leads are normally brought out to the motor conduit box. Heater voltage is available in three voltages for 60 Hz operation of 115, 230, or 460 volt, single-phase. Space heaters are sized per NEMA standards. Lead-time is 2 days.

## Space Heaters - IEC Frames - MOD12

Space heaters can be furnished on IEC motors. Heater leads are normally brought out to the main terminal box. Heater voltage is available in two voltages for 50 Hz operation. Lead-time is 2 days.

## Space Heaters - Explosion Proof - MOD41

Space heaters can be furnished on explosion proof motors. Heater leads are normally brought out to the motor conduit box. Heater voltage is available in three voltages for 60 Hz operation of 115, 230, or 460 volt, single-phase. Space heaters are sized per NEMA standards. Lead-time is 2 days.

## Terminal Blocks - MOD57 (Mult. Symbol S4)

Conduit box mounted terminal blocks provide for a convenient termination of power leads. The terminal blocks are sized for the proper amperage and voltage of the motor. The Globetrotter® IEC motor has IEC terminal blocks as standard.

### Terminal Block

Install terminal blocks in conduit box of NEMA motor with lead connection. Customer to advise on lead connection. Call for lead-time. Contact factory to verify capability.

## Thermal Protection - MOD14, MOD37 (Mult. Symbol S4)

Thermal protection are built in protective devices that prevent motor overheating. They work either by interrupting the power supply when the motor overheats or by incorporating a pilot device that opens the holding circuit of a magnetic starter or energizes an alarm bell or warning light.

## Thermostats - Windings - MOD14

Thermostats are mounted on the stator winding and are temperature-sensing only, with normally closed snap action contacts. These devices are installed on the end-turns of the motor winding. Their purpose is to activate a warning device or shut down the motor upon excessive winding temperatures. The standard arrangement is the addition of 2 or 3 thermostats to the winding end-turns, connected in series with the leads brought out to the main motor conduit box. Class I Groups C & D / Class II Groups F & G Explosion Proof motors have hermetically sealed thermostats as standard. Lead-time is 2 days.

### Thermistors - Winding

Thermistors are small, non-linear resistance devices placed on the stator windings. As the critical temperature is reached, the resistance of the thermistor changes radically, causing operation of a control relay. The standard arrangement is Q-3 positive temperature coefficient (PTC) type on winding end-turns with leads brought out to the main motor conduit box. On IEC motors the leads are brought into a conduit adjacent to the main conduit box and includes a terminal block. As standard, 3 Texas Instrument thermistors are furnished, one per phase. Lead-time is 2 days.

# MOD CENTRAL - Motor Modifications

## Thermocouples - Winding or Bearing Housing

Thermocouples sense temperature and offer inherent protection against abnormal stall and running conditions. The standard arrangement is the addition of an iron constantan thermocouple to the winding end turns or bearing housing with leads brought out to the main motor conduit box. Available on non-explosion proof motors. Customer must specify number, type, and location at time of order. Lead-time is 2 days.

## Bearing Temperature Detector (RTDs)

RTDs are precision wire-wound resistors with calibrated temperature-resistance characteristics. The standard arrangement is the addition of a 100 ohm platinum RTD to the inside of the bearing housing with the leads brought out to the main motor conduit box. These devices are used in conjunction with customer supplied instruments. Lead-time is 3 days.

## Weatherproofing/Special Service MOD5, MOD7, MOD48, MOD49, MOD58 (Mult. Symbol S4)

Weatherproofing or special service provides additional protection to windings and mechanical parts as well as special greases or modifications per industry specifications such as NEMA, IEEE, or automotive.

## Arctic Duty Motors - MOD 58

Motors for operation in ambient temperatures below -25°C require special features, as per the table below. Modification includes re-nameplating motor's ambient temperature. The normal maximum ambient temperature rating of 40°C is maintained.

### Arctic Duty Specification - Totally Enclosed Non-Explosion Proof

AMBIENT TEMPERATURE	LOW TEMP. GREASE	SPACE HEATERS
-25° to -30°		X
-30° to -35°	X	X

## Marine Duty Motors - MOD7

Requires the selection of a Blue Chip® XRI®-SD or IEEE-841 TEFC motor that meets IEEE45 and USCG. Adder provides for addition of a nameplate with the required data to meet IEC 60092 IP54 marine duty for above or below deck. If the specification requires marine plan documentation and/or American Bureau of Shipping (ABS) approval, contact Marathon Electric for price and availability. Lead-time is 1 day.

## Tropical Anti-Fungus Treatment - MOD5

Windings and mechanical parts coated with polyurethane for superior protection to resist tropical environments. Not available on brake motors. Lead-time is 2 days.

## Ford EM-1 Motors - MOD48

Modify Blue Chip® XRI® Severe Duty motor to meet Ford Motor's EM-1 T-Frame automotive specification. Modification requires adding ABMA bearing numbers and plugging second set of mounting holes on applicable frames. Lead-time is 2 days.

## Division 2 Hazardous Motors - MOD49

The Division 2 hazardous modification incorporates a new fan, fan guard, and nameplate to Blue Chip® and Blue Chip® XRI® TEFC motors. XRI®-SD and IEEE841 motors have Division 2 statement on the nameplate as standard. The nameplate will say "CSA Certified, Group I, Division 2, Groups A, B, C, and D, Temperature Code. (See chart below) Call for lead-time.

NEMA FRAME	SERVICE FACTOR	POWER SUPPLY	FREQUENCY RANGE	TEMP CODE
143T-449T	1.0	SineWave	50-60Hz	T3
143T-449T	1.0	PWM	3-120Hz	T2D
143T-449T	1.15	SineWave	60Hz	T2B

## ATEX Zone 2 Hazardous Motors - MOD (TBD)

ATEX (Atmospheres Explosibles) Certification for application of Blue Chip XRI-SD and XRI-841 motors in Zone 2 classified locations in European jurisdictions is available through MOD Central, and includes the modifications listed below. Various temperature codes are available, in conjunction with motor Service Factor and Power Supply (utility power or variable frequency drive). Modifications include addition of thermistors, terminal block, external (foot) ground provisions, single-sided adhesive terminal box gasket, F2 assembly, terminal strip for control wiring, and re-nameplating to validate Certification for the specific equipment group, category, type of atmosphere, type of protection, gas group and temperature code.

TEMPERATURE CODE MARKINGS					
NEMA FRAME	IEC FRAME	SERVICE FACTOR	POWER SUPPLY	FREQUENCY RANGE	TEMP CODE
143-449	112-315	1.0	Sine Wave	60 or 50 Hz	T4*
143-449	112-280	1.0	Sine Wave	60 or 50 Hz	T3
5009-5811	315	1.0	Sine Wave	60 or 50 Hz	T2C
143-449	112-280	1.0	PWM	3-120 Hz	T2D
143-5811	112-315	1.15	Sine Wave	60 Hz	T2B

\*Future Capability

DESCRIPTION	PAGE NUMBER
<b>Bases</b>	
▪ Transition Bases . . . . .	.244
▪ Adjustable Motor Bases . . . . .	.244
<b>Bearings</b>	
▪ Ball Bearing Conversion Kits . . . . .	.242
▪ Roller Bearing Conversion Kits . . . . .	.242
<b>Blowers</b>	
▪ Axial Blower Kits . . . . .	.242
<b>Brackets</b>	
▪ C-Face Kits - Dripproof (Standard Efficiency) . . . . .	.233
▪ C-Face Kits - XRI® Dripproof . . . . .	.233
▪ C-Face Kits - Totally Enclosed . . . . .	.234
▪ C-Face Kits - IEEE 841 . . . . .	.235
▪ D-Flange Kits . . . . .	.236
▪ B14 FT Flange (IEC C-Face) . . . . .	.236
▪ B5 FF Flange (IEC D-Flange) . . . . .	.236
▪ Metric Flanges to Reduce Diameter . . . . .	.236
<b>Brakes</b>	
▪ Brake Kits - Single and Three Phase . . . . .	.237
▪ Brake Kits - Inverter Duty (Black Max® and Blue Max®) . . . . .	.237
▪ Double C-Face Coupler Brake . . . . .	.237
<b>Capacitor Kits</b>	
▪ Capacitor Mounting Kit . . . . .	.239
▪ Capacitor with Mounting Kit . . . . .	.239
▪ Oval Run Capacitors . . . . .	.239
▪ Capacitor Selection Guide . . . . .	.240
<b>Conduit Box</b>	
▪ Cast Iron Conduit Box Kits . . . . .	.241
<b>Drip Covers</b>	
▪ Rainshields (48 and 56 Frame) . . . . .	.241
▪ Canopy Cover (48-256T Frame) . . . . .	.241
<b>Encoder</b>	
▪ Avtron M56 - Black Max®/Blue Max® . . . . .	.243
▪ Northstar SL56 - Black Max®/Blue Max® . . . . .	.243
▪ Dynapar HS35 - Black Max®/Blue Max® . . . . .	.243
▪ BEI HS35 - Black Max®/Blue Max® . . . . .	.243
▪ Encoder Stub Shaft Kit . . . . .	.243
<b>Explosion Proof</b>	
▪ Explosion Proof Conduit box . . . . .	.241
▪ Lead Exit Reducer . . . . .	.241
<b>Grounding</b>	
▪ Shaft Grounding Brush Kit . . . . .	.243
▪ Replacement Brush . . . . .	.243

ACCESSORY KITS

# Accessory Kits - Index

DESCRIPTION	PAGE NUMBER
<b>Mounting</b>	
▪ Resilient Mounting Base (includes latches) . . . . .	.237
▪ Resilient Mounting Kit . . . . .	.238
▪ Split Mounting Rings . . . . .	.238
▪ Resilient Ring Kit . . . . .	.238
▪ Rubber Mounting Hardware . . . . .	.238
▪ Resilient Mount Kit . . . . .	.238
▪ 48 Frame Lug Mount Kits . . . . .	.238
▪ Length Adapter Kit . . . . .	.239
▪ Rheem/Ruud Mounting Kit . . . . .	.239
▪ Triangular Bracket . . . . .	.239
▪ Fedders Adapter Plate . . . . .	.239
<b>Severe Duty Construction (Upgrade Kits)</b>	
▪ Cast Iron Fan Cover and Conduit Box Kits . . . . .	.242
<b>Shaft Kits</b>	
▪ Shaft Adapter Sleeve . . . . .	.240
▪ Shaft Lock Device . . . . .	.240
▪ Blower Wheel Remover . . . . .	.240
▪ Tapered Fork . . . . .	.240
▪ Brass Punch . . . . .	.241
▪ Encoder Stub Shaft Kit . . . . .	.243

# Accessory Kits - Multiplier Symbol S4

## C-Face Kits - Dripproof (Standard and EPA Efficiency)

Complete kits with hardware necessary for converting Marathon stock rigid base motors to "C-Face" mounting with rigid base. **(excludes XRI® Dripproof motors)**



CAT. NO.	FRAME	KIT NO.	LIST PRICE	WHERE USED	FOOT NOTES
A435	56	KIT 56CDR-1	\$33	Models with 17mm (203) bearing	
A436	56-143T-145T	KIT 140TCDR-1	\$62	Models with 25mm (205) bearing	75
A606	213T-215T	KIT 210TCDW	\$128	Models containing TTDW, TBDW or TCDW	75
A612	254T-256T	KIT 250TCDX	\$147	Models containing TTDX	75
A610	284T-286T/TS	KIT 280TCDP	\$273	Models containing TTDP or TSTDP	
A287	284T-286T/TS	KIT 280TCDC	\$273	Models containing TTDC or TTDN	
A613	324T-326T/TS	KIT 320TCDP	\$456	Models containing TTDP, TTDC, TSTDP or TSTDC	
A216	364T-365T	KIT 360TCDS	\$601	Models containing TTDS or TTDC	
A219	364TS-365TS	KIT 360TSCDS	\$601	Models containing TSTDS or TSTDC	
A222	404T-405T	KIT 400TCDS	\$657	Models containing TTDS	
A225	404TS-405TS	KIT 400TSCDS	\$657	Models containing TSTDS	
A228	444T-445T	KIT 440TCDS	\$1,257	Models containing TTDS	
A231	444TS/445TS	KIT 440TSCDS	\$1,257	Models containing TSTDS	
A293	447TS/449TS	KIT 440TSCDN	\$1,257	Models containing TSTDN	

## C-Face Kits - XRI® Dripproof

CAT. NO.	FRAME	KIT NO.	LIST PRICE	WHERE USED	FOOT NOTES
A600	143T-145T	KIT 175181	\$62	U244, U758, U265, U245, U759, U246, and U760	75
A436	143T-145T	KIT 140TCDR-1	\$62	E927, E928, and E929	75
A602	213T-215T	KIT 175066	\$127	U268, U269, U763, U764, U765 and U766	75
A622	254T-256T	KIT 175067	\$146	U254, U255, U767, U768, U769 and U770	75
A626	284T-286T	KIT 175058	\$272	U256, U257, U771, U772, U773 and U774	
A627	324T-326T	KIT 175059	\$455	U775, U776, U777, U778, U798 and U799	
A628	364T-365T	KIT 175060	\$600	U779, U782, U783, U784, U927 and U928	
A216	364T-365T	KIT 360TCDS	\$601	E921	
A222	404T-405T	KIT 400TCDS	\$657	E922, E923, U270 and U271	
A225	404TS-405TS	KIT 400TSCDS	\$657	U250 and U251	
A228	444T-445T	KIT 440TCDS	\$1,257	U272, U273, E924, E925 and E926	

### Footnotes:

75 Addition of C-Face kits may result in non-NEMA "BA" dimension. For the resulting "BA" dimension, consult chart found in the Modification Section.



# Accessory Kits - Multiplier Symbol S4

## C-Face Kits - Totally Enclosed



Complete kits with hardware necessary for converting Marathon stock rigid base motors to "C-Face" mounting with rigid base. **(excludes IEEE-841 stock motors)**

CAT. NO.	FRAME	KIT NO.	LIST PRICE	WHERE USED	FOOT NOTES
A437	56	KIT 56CFR-1	\$33	Models with 17mm bearing (standard frame)	
A438	56-143T-145T	KIT 140TCFR-1	\$62	Frame models with 25mm bearing or 143T and 145T Frame, models containing TBFR, TCFR, TTTR or TTFR	75
A603	143T	KIT 143TCFN	\$62	Models containing TTFN, TTTC or TTTN	75,76
A655	145T	KIT 145TCFN	\$62	Models containing TTFN, TTTC or TTTN	75,76
A643	182T-184T	KIT 175296	\$91	Use on model numbers 182TTFR4026 and 184TTFR4026 (8-1/2"AK), 182TTFR4040, 184TTFR4040	75
A644	182T-184T	KIT 180CF8.5-1	\$91	Models containing TTTL, TCFR, TBFR, TCFL, TTFL, TTFR, or TTFS, TTFC, TTTS or THTS (Standard 8-1/2" AK dim.)	75
A645	182T-184T	KIT 180CF4.5-1	\$91	Models containing TTFL, TTFR, TTFC or TTFS (Non-Std. 4-1/2" AK dim.)	75
A609	213T-215T	KIT 210TCFW	\$128	Models containing TTFW or TBFW	75
A204	213T-215T	KIT 210TCFL	\$128	Models containing TTFR, TTFL or TBFL	75
A206	213T-215T	KIT 210TCFS	\$128	Models containing TTFS, THFS, TTFC, TTTS and THTS (except 213TTFC4076 and 215TTFC4076)	75
A652	213T-215T	KIT 175068	\$128	Use on models 213TTFC4076 and 215TTFC4076	75
A209	254T-256T	KIT 250TCFL	\$147	Models containing TTFL and THTL (254TTFL4076)	75
A1209	254-256T	KIT 250TCFL-R	\$147	Models containing TTFL1 and THTL1 (current frame design) (254TTFL14076)	
A601	254T-256T	KIT 250TCFP	\$147	Models containing TTFC (except 254TTFC4076 and 256TTFC4076)	75
A284	254T-256T	KIT 250TCFNA	\$147	Models containing TTFNA and THTNA	75
A239	254T-256T	KIT 250TCFPA	\$147	Models containing TTFPA, THTPA and TSTFPA	75
A653	254T-256T	KIT 175191	\$147	Use on model numbers 254TTFC4076 and 256TTFC4076	75
A611	284T-286T/TS	KIT 280TCFP	\$273	Models containing TTFP, THFP, TTFC, TSTFP or TSTFC (except 284TTFC4076 and 286TTFC4076)	
A617	284T-286T/TS	KIT 280TCFPA	\$273	Models containing TTFPA, THFPA and TSTFPA	
A615	284T-286T/TS	KIT 280TCFN	\$273	Models containing TTFN or TSTFN	
A654	284T-286T	KIT 175061	\$273	Use on model numbers 284TTFC4076 and 286TTFC4076	
A618	284T-286T/TS	KIT 280TCFNA	\$273	Models containing TTFNA, THFNA or TSTFNA	
A214	324T-326T/TS	KIT 320TCFS	\$473	Models containing TTFS, THFS or TSTFS	
A614	324T-326T/TS	KIT 320TCFP	\$473	Models containing TTFP, THFP, TTFC, TSTFP or TSTFC	
A619	324T-326T/TS	KIT 320TCFPA	\$473	Models containing TTFPA, THFPA or TSTFPA	
A217	364T-365T	KIT 360TCFS	\$601	Models containing TTFC	
A395	364T-365T	KIT 360TCFSR	\$601	Models containing TTFS or THFS	
A396	364TS-365TS	KIT 360TSCFSR	\$601	Models containing TSTFS or TSHFS	
A223	404T-405T	KIT 400TCFS	\$657	Models containing TTFS or THFS	
A226	404TS-405TS	KIT 400TSCFS	\$657	Models containing TSTFS or TSHFS	
A229	444T-445T	KIT 440TCFS	\$1,257	Models containing TTFS or THFS	
A232	444TS-445TS	KIT 440TSCFS	\$1,257	Models containing TSTFS or TSHFS	
A620	444T-445T	KIT 440TCFN	\$1,257	Ball bearing models containing TTFN or THFN	
A621	444TS-445TS	KIT 440TSCFN	\$1,257	Models containing TSTFN or TSHFN	
A623	447/9T	KIT 449TCFS	\$1,257	Ball bearing models containing TTFS or THFS	
A624	447/9TS	KIT 449TSCFS-1	\$1,257	2-Pole models containing TSTFS (313 bearing)	
A625	447/9TS	KIT 449TSCFS-2	\$1,257	4-, 6-, and 8-Pole models containing TSTFS (318 bearing)	

### Footnotes:

75 Addition of C-Face kits may result in non-NEMA "BA" dimension. For the resulting "BA" dimension, consult chart found in the Modification Section.

76 Addition of C-Face kits in non-NEMA "AH" dimension. NEMA "AH" is 2.12", rework "AH" is 2.38".

# Accessory Kits - Multiplier Symbol S4

## C-Face Kits - Totally Enclosed

### C-Face Kits - IEEE841 Motors

Complete Kits with hardware and Inpro/Seal® necessary for converting Marathon stock IEEE-841 rigid base motors to "C-Face" mounting with rigid base.

CAT. NO.	FRAME	KIT NO.	LIST PRICE	COMMENTS	FOOT NOTES
A181	143T	KIT 143TCTN - 841	\$130	Use on 143T IEEE 841 models with THTN in the model no.	75,76
A262	145T	KIT 145TCTN - 841	\$130	Use on 145T IEEE 841 models with THTN in the model no.	75,76
A182	182T - 184T	KIT 180TCFS - 841	\$184	Use on 182T and 184T IEEE 841 models with THTS or THFS in the model no.	75
A183	213T - 215T	KIT 210TCFS - 841	\$248	Use on 213T and 215T IEEE 841models with THTS or THFS in the model no.	75
A184	254T - 256T	KIT 250TCFNA - 841	\$284	Use on 254T and 256T IEEE 841 models with THFNA in the model no.	75
A185	284T - 286T	KIT 280TCFN - 841	\$532	Use on 284T and 286T IEEE 841 motors with THFN or TSHFN in the model no.	
A186	284T - 286T	KIT 280TCFNA - 841	\$532	Use on 284T and 286T IEEE 841 motors with THFNA or TSHFNA in the model no.	
A187	324T - 326T	KIT 320TCFS - 841	\$873	Use on 324T and 326T IEEE 841 models with THFS or TSHFS in the model no.	
A188	364T - 365T	KIT 360TCFSR - 841	\$1,093	Use on 364T and 365T IEEE 841 models with THFS in the model no.	
A189	364TS - 365TS	KIT 360TSCFSR - 841	\$1,093	Use on 364TS and 365TS IEEE 841 models with TSHFS in the model no.	
A190	404T - 405T	KIT 400TCFS - 841	\$1,200	Use on 404T and 405T IEEE 841 models with THFS in the model no.	
A192	444T - 445T	KIT 440TCFS - 841	\$1,669	Use on 444T and 445T IEEE 841 models with THFS in the model no.	
A193	444TS - 445TS	KIT 440TSCFS - 841	\$1,669	Use on 444TS and 445TS IEEE 841 models with TSHFS in the model no.	
A194	444T - 445T	KIT 440TCFN - 841	\$1,669	Use on 444T and 445T IEEE 841 models with THFN in the model no.	
A195	444TS - 445TS	KIT 440TSCFN - 841	\$1,669	Use on 444TS and 445TS IEEE 841 models with TSHFN in the model no.	

ACCESSORY KITS

**Footnotes:**

75 Addition of C-Face kit may result in non-NEMA "BA" dimension. For the resulting "BA" dimension, consult the chart found in the Modification Section.  
 76 Addition of C-Face kit results in non-NEMA "AH" dimension. NEMA "AH" is 2.12", rework "AH" is 2.38".

# Accessory Kits - Multiplier Symbol S4

## IEC Mounting Kits

Complete kits with hardware necessary for converting Marathon IEC stock motors to B5 and B14 mountings.

### FT - Flange B14 Mounting Kits For Aluminum Frame Motors Only

Frame	CAT. NO.	KIT NO.	List Price	Bolt Circle "mm"
63	A561	KIT 631475	\$43	75
71	A562	KIT 711485	\$47	85
80	A563	KIT 8014100	\$53	100
90	A564	KIT 9014115	\$58	115

### FF - Flange B5 Mounting Kits For Aluminum Frame Motors Only

Frame	CAT. NO.	KIT NO.	List Price	Bolt Circle "mm"
63	A569	KIT 635115	\$47	115
71	A570	KIT 715130	\$55	130
80	A571	KIT 805165	\$60	165
90	A572	KIT 905165	\$63	165

### FT - Flange B14 Mounting Kits For Cast Iron Frame Motors Only

Frame	CAT. NO.	KIT NO.	List Price	Bolt Circle "mm"
100	A565	KIT 10014130	\$77	130
112	A566	KIT 11214130	\$84	130
132	A567	KIT 13214165	\$112	165
160	A568	KIT 16014215	\$219	215

### FF - Flange B5 Mounting Kits For Cast Iron Frame Motors Only

Frame	CAT. NO.	KIT NO.	List Price	Bolt Circle "mm"
100	A573	KIT 1005215	\$84	215
112	A574	KIT 1125215	\$90	215
132	A575	KIT 1325265	\$120	265
160	A576	KIT 1605300	\$227	300
180	A577	KIT 1805300	\$281	300
200	A578	KIT 2005350	\$367	350
225	A579	KIT 2255400	\$470	400

### Metric Flanges To Reduce Diameter For Aluminum Frame Motors Only

Motor Frame	New Frame Diameter	CAT. NO.	KIT NO.	Kit Only List Price
63	56	A585	KIT 175900	\$39
71	63	A586	KIT 175901	\$45
80	71	A587	KIT 175902	\$50
90	80	A588	KIT 175903	\$53

## D-Flange Kits

Complete kits with hardware necessary for converting Marathon **stock rigid base** motors to D-Flange mounting with rigid base.

CAT. NO.	FRAME	ENCLOSURE	KIT NO.	LIST PRICE	WHERE USED	FOOT NOTES
A647	254T-256T	TEFC	KIT 250TDFPA	\$363	Models containing TTFPA	97
A648	254T-256T	TEFC	KIT 250TDFNA	\$363	Models containing TTFNA	97
A649	254T-256T	TEFC	KIT 649R	\$363	Models containing TTFP or TTFC	97
A650	284T-286T/TS	DRIPPROOF	KIT 650R	\$638	Models containing TTDP, TTDC, TSTDP or TSTDC	
A651	284T-286T/TS	TEFC	KIT 651R	\$638	Models containing TTFP, TTFC, TSTFP or TSTFC	
A656	284T-286T	TEFC	KIT 280TDFNA	\$638	Models containing TTFNA	97
A657	324T-326T	TEFC	KIT 320TDFPA	\$721	Models containing TTFPA or TSTFPA	97
A637	364T-365T	TEFC	KIT 360TDFC	\$852	Models containing TTFC	

Complete kits with hardware necessary for converting Marathon **stock C-Face rigid base** motors to D-Flange mounting with rigid base.

CAT. NO.	FRAME	ENCLOSURE	KIT NO.	LIST PRICE	WHERE USED	FOOT NOTES
A630	182TC-184TC	TEFC	KIT 180TDFR	\$143	Models containing TTFR	d
A631	284TC-286TC	TEFC	KIT 280TDFP	\$639	Models containing TTFP	d
A632	324TC-326TC	TEFC	KIT 320TDFP	\$782	Models containing TTFP	d
A634	405TC	TEFC	KIT 400TDFS	\$1,066	Models containing TTFS	d

#### Footnotes:

d To be discontinued after current stock is gone

97 Addition of D-Flange kit will result in non-NEMA "BA" dimension (1/2" longer than NEMA) and non-NEMA shaft extension (1/2" shorter than NEMA).

# Accessory Kits - Multiplier Symbol S4

## Brake Kits - Single and Three Phase Motors

These kits include a brake mounted to an external cast aluminum fan guard. Designed for easy field installation on Marathon's Four-In-One motors, 56, 143 and 145 frames only.

TORQUE RATING LB-FT	LIST PRICE	KIT WGT.	115/230 VOLT		208-230/460 VOLT		575 VOLT	
			CAT. NO.	KIT NO.	CAT. NO.	KIT NO.	CAT. NO.	KIT NO.
3	\$355	7	A306	KIT 3BRK1	A301	KIT 3BRK3	A297	KIT 3BRK3A
6	\$419	7	A307	KIT 6BRK1	A302	KIT 6BRK3	A298	KIT 6BRK3A
10	\$518	10	—	—	A303	KIT 10BRK	A299	KIT 10BRKA

Selection Chart  
(Used to select brake size)

MOTOR HP	BRAKEMOTOR SHAFT RPM		
	LB-FT @3600	LB-FT @1800	LB-FT @1200
1/4	—	—	3
1/3	—	3	3
1/2	3	3	3
3/4	3	6	6
1	3	6	6
1.5	6	10	10
2	6	10	—

## Brake Kits - Inverter Duty (TENV Black Max® and Blue Max® Motors)

TORQUE RATING LB-FT	LIST PRICE	115/208-230 VOLT		208-230/460 VOLT		575 VOLT	
		CAT. NO.	KIT NO.	CAT. NO.	KIT NO.	CAT. NO.	KIT NO.
6	\$638	A317	KIT BM6BRK115	A312	KIT BM6BRK	A315	KIT BM6BRK575
10	\$775	A318	KIT BM10BRK115	A313	KIT BM10BRK	A316	KIT BM10BRK575

For normal (140%) torque rating, do not apply on motors larger than 2 HP. Reduced braking torque and/or longer stopping times can result from applying an undersized brake on higher HP motors.

See page 230 for encoder kit for installation between motor and brake.

These brake kits fit on both Black Max® and Blue Max® TENV motors (See pages 175 and 177). These can also be used together with the Double C-Face SL56 encoder to make a closed loop inverter brake motor.

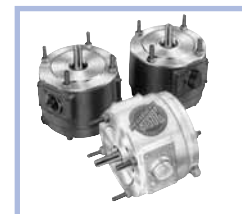
## Vertical Modification Kit (Stearns 87000-series)

Includes required hardware to accommodate vertical-above or vertical-below mounting.

CAT. NO.	KIT NO.	LIST PRICE
A157	KIT VRT87BRK	\$375

## Double C-Face Coupler Brakes

Double C-Face brakes are designed to fit any NEMA 56C, 143TC, or 145TC motor. These spring-set electrically released disc brakes feature a simple 4-bolt, 2-wire installation and a manual release knob. A 5/8" to 7/8" adapter sleeve, included, allows installation on either 56C or 143TC/145TC motors with a resulting NEMA 56C or 143TC/145TC face and shaft. Dual voltage coils are suitable for 208-230/460 volt three phase motors and 115/208-230 volt single phase motors wired on the **high voltage** connection. Available in three different enclosures, suitable for use on drip-proof motors (NEMA 2/IP-23), totally enclosed (NEMA 4/IP-54) and washdown duty (NEMA 4X/IP-55).



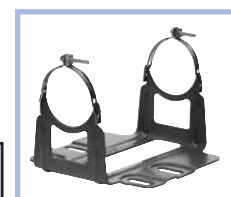
The NEMA 4X, IP55 coupler brakes are specifically designed for use with PowerWash™ Washdown Duty motors. Painted with a special white epoxy food-safe paint, these brakes are BISSC Certified.

ENCLOSURE NEMA2, IP-23 208-230/460V	CAT. NO.	KIT NO.	LIST PRICE	ENCLOSURE NEMA4, IP-54 208-230/460V	CAT. NO.	KIT NO.	LIST PRICE	ENCLOSURE NEMA4X, IP-55 208-230/460V	CAT. NO.	KIT NO.	LIST PRICE
3 ft. lb.	A903	KIT 903	\$473	3 ft. lb.	A906	KIT 906	\$582	3 ft. lb.	A909	KIT 909	\$674
6 ft. lb.	A904	KIT 904	\$528	6 ft. lb.	A907	KIT 907	\$657	6 ft. lb.	A910	KIT 910	\$729
10 ft. lb.	A905	KIT 905	\$601	10 ft. lb.	A908	KIT 908	\$729	10 ft. lb.	A911	KIT 911	\$801

## Resilient Mounting Base

Used to add a Resilient Base to models having Resilient Rings. Results in 3" shaft height. Kit includes: mounting base and 2 latch assemblies.

RING TO RING DIMENSION	CAT. NO.	KIT NO.	LIST PRICE
6.37"	A107	KIT 107-637	\$11



ACCESSORY KITS

## Accessory Kits - Multiplier Symbol S4

### Resilient Mounting Kit

Used to add a resilient base to models having hubs only. 3-1/2" shaft height.

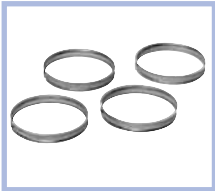
Kit includes: mounting base, 2 resilient rings, 2 latch assemblies, 2 end caps and a slinger.



KIT CAT. NO.	KIT NO.	USED WITH CAT. NO.	BASE LENGTH	LIST PRICE
A279	KIT 279	X500	8-5/8"	\$19
A280	KIT 280	X501, X511, X208	9-1/8"	\$19
A281	KIT 281	X507, X509	11-5/8"	\$42
A282	KIT 282	X503	10-5/8"	\$37
A283	KIT 283	X502, X207	9-5/8"	\$37
A308	KIT 308	X206	10-1/8"	\$37

### Split Mounting Rings

Used for adapting a 2-1/4" Resilient Mounting Ring to 2-1/2". Kit includes: 4 split rings.



CAT. NO.	KIT NO.	LIST PRICE
A104	KIT 104	\$7

### Resilient Ring Kit

Used to mount Resilient Rings onto Hubbed PSC Brackets. Kit includes: 2 rubber resilient rings and 4 split rings.



CAT. NO.	KIT NO.	LIST PRICE	NOTES
A110	KIT 110	\$10	2-1/4" (48 frame)
A114	KIT 114	\$14	2-1/2" (56 frame)

### Rubber Mounting Hardware

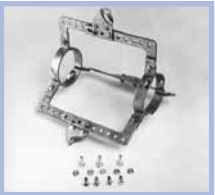
Used for mounting the resilient base to a resilient ring. Kit includes: 4 clamps, 2 screws, and 2 nuts.



CAT. NO.	KIT NO.	LIST PRICE	NOTES
A112	KIT 112	\$7	56 Frame
A113	KIT 113	\$7	48 Frame

### Resilient Mount Kit

Fits 48 Frame motors with 2-1/2" diameter resilient rings. Available in 3 sizes to fit 9", 10" and 12" blowers.



CAT. NO.	KIT NO.	SIZE	LIST PRICE
A240	KIT 240	9"	\$36
A241	KIT 241	12"	\$54
A242	KIT 242	10"	\$44

### 48 Frame Lug Mounts Kits



**A249**  
Single Strap,  
Dual Slot  
2" L, 1/4" & 3/4" W  
\$17



**A250**  
Double Strap,  
Dual Slot  
2" L, 1/4" & 3/4" W  
\$17



**A251**  
Double Strap,  
Dual Slot  
4" L, 1/4" & 3/4" W  
\$17



**A252**  
Single Strap,  
Single Slot  
2" L x 3/8" W  
\$17



**A253**  
Double Strap,  
Single Slot  
2" L x 3/8" W  
\$17



**A254**  
Double Wire,  
Single Slot  
2" L x 3/8" W  
\$17



# Accessory Kits - Multiplier Symbol S4

## Length Adapter Kit

Used to convert Hubless motors to Resilient Ring mount. One adapter bracket can be mounted directly to original motor bracket and the other is mounted on the motor's thru-bolts and can be adjusted to desired length. Kit includes: 2 adapters, 2 resilient rings, 4 split rings, and the necessary nuts, screws, and washers.



CAT. NO.	KIT NO.	LIST PRICE
A111	Kit 111	\$15

## Rheem/Ruud Mounting Kit

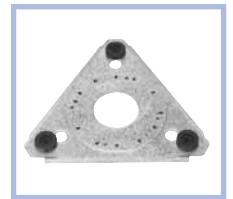
Used to replace a Rheem/Ruud condenser fan motor where the original was held in place by four cables. Kit includes: prepunched plated steel plate, 4-8x32 nuts with washer fastened, 4-10x32 nuts with washers fastened and 4-1/4" sheet metal screws. Instructions included.



CAT. NO.	KIT NO.	LIST PRICE
A259	Kit 259	\$22

## Rheem/Ruud Mounting Kit

Used in Fedders air conditioners.



CAT. NO.	KIT NO.	LIST PRICE
A277	Kit 277	\$22

## Fedders Adapter Plate

Used to match Fedders rectangular mounting stud pattern on 5-5/8" motors.

CAT. NO.	KIT NO.	LIST PRICE
A278	Kit 278	\$12

## Capacitor Mounting Kit

Used for mounting a capacitor on the frame of a Permanent Split Capacitor motors. Kit includes: mounting strap, mounting screws, and terminal protection boot. (4 screws are included - 2#10 screws and 2#8 screws). **Fits 10mfd. and smaller capacitors only.**



CAT. NO.	KIT NO.	LIST PRICE
A100	Kit 100	\$7

## Capacitor with Mounting Kit

Kit includes 370 volt capacitor, mounting strap, mounting screws and terminal protection boot.

CAT. NO.	KIT NO.	SIZE	LIST PRICE
A243	Kit 243	5.0 mfd	\$14
A244	Kit 244	7.5 mfd	\$17
A245	Kit 245	10.0 mfd	\$19

## Oval Run Capacitors



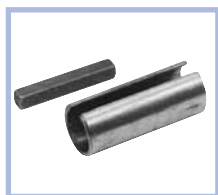
SIZE	CAT. NO.	KIT NO.	LIST PRICE
3mfd/370v	A371	KIT 370-3	\$8
4mfd/370v	A372	KIT 370-4	\$8
5mfd/370v	A373	KIT 370-5	\$8
7.5mfd/370v	A375	KIT 370-7.5	\$10
10mfd/370v	A376	KIT 370-10	\$10
15mfd/370v	A378	KIT 370-15	\$17
17.5mfd/370v	A379	KIT 370-17.5	\$17
20mfd/370v	A380	KIT 370-20	\$19
25mfd/370v	A381	KIT 370-25	\$21
30mfd/370v	A382	KIT 370-30	\$24
7.5mfd/440v	A445	KIT 440-7.5	\$15
10mfd/440v	A446	KIT 440-10	\$17

# Accessory Kits - Multiplier Symbol S4

## Capacitor Selection Guide for Stock PSC Motors

370 VOLT											440 VOLT						
3.0 mfd	4.0 mfd	5.0 mfd					7.5 mfd	10.0 mfd	15.0 mfd	17.5 mfd	20.0 mfd	25.0 mfd	30.0 mfd	7.5 mfd	10.0 mfd		
X411	X223	X001	X048	X069	X210	X417	X000	X294	X004	X453	X009	X433	X206	X462	X271	X454	X237
X427	X273	X003	X049	X070	X212	X418	X002	X413	X010	X458	X016		X447	X449	X448	X446	X241
X429	X281	X006	X050	X080	X215	X419	X005	X415	X021		X023		X242			X405	
		X011	X052	X081	X216	X420	X013	X422	X033		X027						
		X012	X056	X082	X217	X423	X015	X424	X035		X036						
		X014	X057	X083	X219	X428	X018	X426	X038		X039						
		X017	X058	X086	X222	X430	X020	X450	X063		X085						
		X019	X059	X087	X233	X440	X022	X456	X068		X090						
		X034	X060	X088	X234	X441	X037	X457	X084		X099						
		X040	X061	X089	X236	X442	X071	X465	X096		X205						
		X041	X062	X097	X258	X443	X203		X098		X207						
		X042	X064	X200	X278	X445	X213		X208		X218						
		X043	X065	X202	X287	X463	X214		X211		X298						
		X044	X066	X204	X295	X464	X225		X221		X444						
		X045	X067	X209	X297	X262	X231		X400		X452						
					X412		X283		X414		X455						
									X416		X459						
									X451								

### Shaft Adapter Sleeve



Used to increase the diameter of a shaft to a larger size. Available sizes include converting from a 1/2" dia. shaft with flat to a 5/8" dia. with key and from a 5/8" dia. with key to a 3/4" dia. with key. Kit includes adapter sleeve and key.

CAT. NO.	KIT NO.	TO CHANGE SHAFT	LIST PRICE
A105	KIT 105	1/2" to 5/8"	\$7
A106	KIT 106	5/8" to 3/4"	\$10

### Shaft Lock Device



Used as a pry point for prying the blade off. Instructions included.

CAT. NO.	KIT NO.	LIST PRICE
A257	KIT 257	\$42

### Blower Wheel Remover



Used to pull off corroded, rusted, stubborn blower wheels from 5/8" diameter shafts and smaller. Comes with complete instructions.

CAT. NO.	KIT NO.	LIST PRICE
A256	KIT 256	\$132

### Tapered Fork



Used for prying off pulleys, fan blades, etc., from any shaft 5/8" diameter or smaller. Long 16" handle gives good leverage. Instructions included.

CAT. NO.	KIT NO.	LIST PRICE
A258	KIT 258	\$55

# Accessory Kits - Multiplier Symbol S4

## Brass Punch

Used for placing between your hammer and a motor's shaft or bearing. 3/4" diameter x 6" length.

CAT. NO.	KIT NO.	LIST PRICE
A261	KIT 261	\$19



## Encoder Stub Shaft Kit

CAT. NO.	KIT NO.	LIST PRICE	MULT SYMBOL	WHERE USED
A807	KIT STUBSHAFT 1IN	\$150	E3	Fits XRI Severe Duty or XRI IEEE-841 motors to allow addition of 1" bore hollow shaft encoders. (182-449 TEFC)

## Rain Shields

Sizes to fit 1/2" or 5/8" diameter shafts. 6.88" diameter. Shield has 8 air vanes to provide cooling air circulation for motor. For vertical shaft down applications. Rain shield mounts over shaft

CAT. NO.	KIT NO.	SHAFT DIA.	LIST PRICE
A247	KIT 247	1/2"	\$7
A248	KIT 248	5/8"	\$7



## Drip Cover Kit

CAT. NO.	FRAME	KIT NO.	ENCLOSURE	LIST PRICE
A234	48-184T("629")	KIT 234	ODP OR TEFC	\$21
A201	182T-184T	KIT 201	ODP	\$24
A662	182T-184T	KIT 175614	ODP (Models w/"CF" footnote)	\$55
A197	182T-184T	KIT 197	TEFC (4-IN-1)	\$24
A202	213T-215T	KIT 202	ODP (TTDR)	\$28
A198	213T-215T	KIT 198	ODP (TTDW)	\$28
A199	213T-215T	KIT 199	TEFC (4-IN-1)	\$28
A311	254T-256T	KIT 311	ODP (TTDX) Rigid Base	\$28

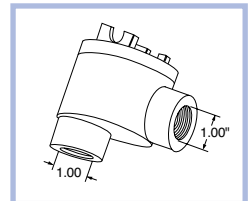
Mounts with two screws into the end bracket. Kit includes: drip cover, mounting screws, washers, and instructions. Contact Marathon Electric to determine compatibility with motor. For vertical shaft down applications.

Note: Kit 234, the mounting holes have a 4.80 bolt circle.

## Conduit Box Kit (56/140 Frame Explosion Proof Motors)

For installation on rolled steel 56/140 frame explosion proof motors. Lead exit holes are 1" dia. NPT.

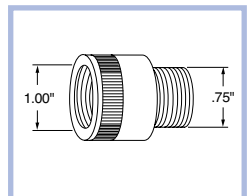
CAT. NO.	KIT NO.	LIST PRICE
A800	KIT 56 EXPR BOX	\$83



## Lead Exit Reducers (56/140 Frame Explosion Proof Motors)

For reducing the lead exit from 1" to 3/4". Kit LDRDCR-M has an externally threaded 3/4" exit and internally threaded 1" exit.

CAT. NO.	KIT NO.	LIST PRICE
A803	KIT LDRDCR-M	\$15



CAT. NO.	FRAME	KIT NO.	LIST PRICE
A720	182-215T	KIT 180/210CB	\$71
A722	254T-256T	KIT 250CB	\$118
A729	284T/TS-286T/TS	KIT 280CB	\$159
A730	324T/TS-326T/TS	KIT 320CB	\$177

## Cast Iron Conduit Box Kits

Fits standard Blue Chip® motors. Threaded conduit box and gaskets.

## Accessory Kits - Multiplier Symbol S4

### Severe Duty - Upgrade to Cast Iron Fan Cover / Conduit Box

Fits standard Blue Chip® motors to achieve all cast iron construction.

Components include fan guard and threaded conduit box.

CAT. NO.	FRAME	KIT NO.	LIST PRICE	WHERE USED
A715	143T-145T	KIT 140CB	\$98	Models containing TTTN
A718	182T-184T	KIT 180R	\$141	Models containing TTTS, TTFS, TTFC, THTS
A721	213T-215T	KIT 210R	\$205	Models containing TTFS, TTTS, THTS, TTFC
A723	254T-256T	KIT 250RFPA	\$249	Models containing TTFPA or THFPA
A724	254T-256T	KIT 250RFNA	\$249	Models containing TTFNA, THTNA or THFNA
A725	254T-256T	KIT 250R	\$249	Models containing TTFC
A726	284T-286T	KIT 280RFPA	\$346	Models containing TTFPA, TSTFPA or TSHFPA
A727	284T-286T	KIT 280RFN	\$346	Models containing TTFN or TSTFN
A728	284T-286T	KIT 280R	\$346	Models containing TTFC or TTFP
A731	284T-286T	KIT 280RFNA	\$346	Models containing TTFNA, TSTFNA, THFNA or TSHFNA
A732	324T-326T	KIT 320R	\$367	Models containing TTFC, TTFP, TSTFP, THFP, THFS, TSHFP or TSHFS, TSTFS
A733	324T-326T	KIT 320RFPA	\$367	Models containing TTFPA, TSTFPA, THFPA or TSHFPA

### Ball Bearing Conversion Kits

For conversion of Roller Bearing on Drive End to Ball Bearing (for Direct-coupled applications).

**CONFIRM KIT SELECTION WITH CUSTOMER SERVICE/ENGINEERING**

CAT. NO.	FRAME	BEARING SIZE	ENCLOSURE	WHERE MODEL NO. CONTAINS	KIT NO.	LIST PRICE
A760	444T-445T	318	TEFC	TTFN	KIT 440BBFN	\$1,366
A761	447/9T	319	TEFC	TTFS	KIT 449BBFS	\$1,421
A788	L447/9T	319	TEFC	TTFS	KIT 449BBFS-319	\$1,421
A787	447/9T	322	TEFC	TTFS	KIT 449BBFS-322	\$1,421
A795	L447/9T	322	TEFC	TTFS	KIT L449BBFS-322	\$1,421

### Roller Bearing Conversion Kits

For conversion of Ball Bearing on Drive End to Roller Bearing (for Belted Applications).

**CONFIRM KIT SELECTION WITH CUSTOMER SERVICE/ENGINEERING**

CAT. NO.	FRAME	ENCLOSURE	WHERE MODEL NO. CONTAINS	KIT NO.	LIST PRICE
A755	364T-365T	TEFC	TTFS	KIT 360BRFSR-314	\$1,039
A756	404T-405T	TEFC	TTFS	KIT 400BRFS-316	\$1,039
A757	444T-445T	TEFC	TTFS	KIT 440BRFS - 318	\$1,366
A759	444T-445T	TEFC	TTFN	KIT 440BRFN	\$1,366
A758	447/9T	TEFC	TTFS	KIT 449BRFS	\$1,421

### Axial Blower Kits

For installation on Blue Chip XRI® Totally Enclosed and Severe Duty (excluding Explosion Proof).

CAT. NO.	FRAME	KIT NO.	LIST PRICE	WHERE USED
A692	213T-215T	KIT 21TEBC	\$1,434	Models containing TTFS
A691	254T-256T	KIT 25TEBCNA	\$1,567	Models containing TTFNA (Also fits 284/286T/TS TTFPA)
A701	284T/TS-286T/TS	KIT 28TEBCNA	\$1,845	Models containing TTFNA
A695	324T/TS-326T/TS	KIT 32TEBC	\$2,170	Models containing TTFS
A696	364T/TS-365T/TS	KIT 36TEBC	\$2,779	Models containing TTFS
A697	404T/TS-405T/TS	KIT 40TEBC	\$3,269	Models containing TTFS
A698	444TS-449TS	KIT 44TEBC-313	\$3,465	Models with 6313 bearing on opposite shaft end.
A699	444T-449T	KIT 44TEBC-316	\$3,465	Models with 6316 bearing on opposite shaft end. (excludes roller bearing)
A700	444T-449T	KIT 44TEBC-318	\$3,465	Models with 6318 bearing on opposite shaft end. (excludes roller bearing)
A796	L449T	KIT L449TEBC	\$3,465	Use on "Stretch" 447/9T frame (L447/9 or TS)

# Accessory Kits - Multiplier Symbol E3

## Encoder Kits and Accessories for Black Max, Blue Max, XRI-SD and XRI-841 motors

Installation of encoder kits on Blue Chip XRI-SD and XRI-841 TEFC motors requires installation of A807 Stub Shaft Kit (see below)

ENCL.	NEMA FRAME	BRAND / MODEL	PPR	CAT. NO.	KIT NO.	LIST PRICE	NOTES		
TENV (5/8" bore)	56-256	Avtron HS25A	1024	A746 *	KIT HS25A1024-NV	\$950	Shaft Mount, 5-26 VDC, with 10 pin connector/mate		
			2048	A747	KIT HS25A2048-NV	\$950	Shaft Mount, 5-26 VDC, with 10 pin connector/mate		
		Avtron HS35A	1024	A736 *	KIT HS35A1024-NV	\$1,291	Shaft Mount, 5-26 VDC, with 10 pin connector/mate		
			2048	A739 *	KIT HS35A2048-NV	\$1,291	Shaft Mount, 5-26 VDC, with 10 pin connector/mate		
		Avtron HS35M	1024	A742 *	KIT HS35M1024	\$1,495	Shaft Mount, 5-24 VDC, with EPIC connector/mate		
			2048	A744	KIT HS35M2048	\$1,495	Shaft Mount, 5-24 VDC, with EPIC connector/mate		
		Avtron M3	1024	A753 *	KIT M31024-NV	\$2,500	Shaft Mount, 5-24 VDC, with EPIC connector/mate		
		Avtron M56	1024	A793 *	KIT M561024-NV	\$2,038	Modular Mount, 5-24 VDC, with EPIC connector/mate, Double C-Face		
		NorthStar SL56	512	A785 *	KIT LKSR512	\$2,038	Modular Mount, 5-15 VDC, with EPIC connector/mate		
			1024	A763 *	KIT LKSR02	\$2,038	Modular Mount, 5-15 VDC, with EPIC connector/mate		
			1024	A786 *	KIT LKSR-CFACE	\$2,241	Modular Mount, 5-15 VDC, with EPIC connector/mate, Double C-Face		
			2048	A797	KIT LKSR2048	\$2,038	Modular Mount, 5-15 VDC, with EPIC connector/mate		
		NorthStar HSD35	1024	A711 *	KIT HSD351024-NV	\$1,395	Shaft Mount, 5-26 VDC, with EPIC connector/mate		
		Dynapar HS20	1024	A687 *	KIT HS201024-NV	\$600	Shaft Mount, 5-26 VDC, with 10 pin connector/mate		
		Dynapar HS35	1024	A772 *	KIT HS351024-NV	\$1,291	Shaft Mount, 5-26 VDC, with 10 pin connector/mate		
			2048	A776 *	KIT HS352048-NV	\$1,291	Shaft Mount, 5-26 VDC, with 10 pin connector/mate		
		BEI HS35	1024	A779 *	KIT HS35B1024-NV	\$1,291	Shaft Mount, 5-28 VDC, with 10 pin connector/mate		
			2048	A780 *	KIT HS35B2048-NV	\$1,291	Shaft Mount, 5-28 VDC, with 10 pin connector/mate		
		TEFC (1" bore)	182-449	-----	----	A807 *	KIT STUBSHAFT 1IN	\$150	Required on XRI-SD and XRI-841 TEFC motors to add encoder kits
				Avtron HS35A	1024	A737 *	KIT HS35A1024-FC	\$1,291	Shaft Mount, 5-26 VDC, with 10 pin connector/mate
	2048			A740	KIT HS35A2048-FC	\$1,291	Shaft Mount, 5-26 VDC, with 10 pin connector/mate		
Avtron HS35M	1024			A742 *	KIT HS35M1024	\$1,495	Shaft Mount, 5-24 VDC, with 10 pin connector/mate		
	2048			A744	KIT HS35M2048	\$1,495	Shaft Mount, 5-24 VDC, with 10 pin connector/mate		
Avtron M3	1024			A754 *	KIT M31024-FC	\$2,500	Shaft Mount, 5-24VDC, with EPIC connector/mate		
NorthStar HSD35	1024			A712 *	KIT HSD351024-FC	\$1,395	Shaft Mount, 5-26 VDC, with EPIC connector/mate		
Dynapar HS35	1024			A774 *	KIT HS351024-FC	\$1,291	Shaft Mount, 5-26 VDC, with 10 pin connector/mate		
	2048			A777 *	KIT HS352048-FC	\$1,291	Shaft Mount, 5-26 VDC, with 10 pin connector/mate		
BEI HS35	1024			A783 *	KIT HS35B1024-FC	\$1,291	Shaft Mount, 5-28 VDC, with 10 pin connector/mate		
	2048	A784	KIT HS35B2048-FC	\$1,291	Shaft Mount, 5-28 VDC, with 10 pin connector/mate				
TEBC (1" bore)	284-449	Avtron HS35A	1024	A738 *	KIT HS35A1024-BC	\$1,291	Shaft Mount, 5-26 VDC, with 10 pin connector/mate		
			2048	A741	KIT HS35A2048-BC	\$1,291	Shaft Mount, 5-26 VDC, with 10 pin connector/mate		
		Avtron HS35M	1024	A743	KIT HS35M1024-BC	\$1,495	Shaft Mount, 5-24 VDC, with 10 pin connector/mate		
			2048	A745	KIT HS35M2048-BC	\$1,495	Shaft Mount, 5-24 VDC, with 10 pin connector/mate		
		Avtron M56	1024	A794 *	KIT M561024-BC	\$2,038	Modular Mount, 5-24 VDC		
		NorthStar SL56	1024	A764 *	KIT LKSR03	\$2,038	Modular Mount, 5-15 VDC		
		Dynapar HS35	1024	A775 *	KIT HS351024-BC	\$1,291	Shaft Mount, 5-26 VDC, with 10 pin connector/mate		
			2048	A778 *	KIT HS352048-BC	\$1,291	Shaft Mount, 5-26 VDC, with 10 pin connector/mate		
		Turck A02H	1024	A668 *	KIT A02H1024-BC LED	\$1,450	Shaft Mount, 5-30VDC, bulkhead (A801 not required), LED cordset (3m)		
			2048	A669 *	KIT A02H2048-BC LED	\$1,450	Shaft Mount, 5-30VDC, bulkhead (A801 not required), LED cordset (3m)		
BEI HS35	1024	A781 *	KIT HS35B1024-BC	\$1,291	Shaft Mount, 5-28 VDC, with 10 pin connector/mate				
	2048	A782	KIT HS35B2048-BC	\$1,291	Shaft Mount, 5-28 VDC, with 10 pin connector/mate				
	-----	----	A801 *	KIT ENCB0X	\$136	Encoder Conduit Box (required for all TEBC encoders except Turck A02H)			
TENV BRAKE- MOTORS	143-256	Avtron M56	1024	A748 *	KIT M561024BRK-140	\$2,038	Fits Blue Max Brakemotors (Y986, Y987)		
			1024	A749 *	KIT M561024BRK-182	\$2,038	Fits Blue Max Brakemotors (Y988)		
		Avtron M85	1024	A750 *	KIT M851024BRK-184	\$2,750	Fits Blue Max Brakemotors (Y989)		
			1024	A751 *	KIT M851024BRK-210	\$2,750	Fits Blue Max Brakemotors (Y990, Y991)		
			1024	A752 *	KIT M851024BRK-250	\$2,750	Fits Blue Max Brakemotors (Y992, Y993)		
		NorthStar SL56	1024	A786 *	KIT LKSR-CFACE	\$2,241	Fits Blue Max Brakemotors (Y986, Y987)		
			1024	A789 *	KIT SL561024-182NV	\$2,241	Fits Blue Max Brakemotors (Y988)		
		NorthStar SL85	1024	A790 *	KIT SL851024-184NV	\$2,750	Fits Blue Max Brakemotors (Y989)		
			1024	A791 *	KIT SL851024-210NV	\$2,750	Fits Blue Max Brakemotors (Y990, Y991)		
			1024	A792 *	KIT SL851024-250NV	\$2,750	Fits Blue Max Brakemotors (Y992, Y993)		
CABLE KITS	56-449	Danaher Controls	N/A	A688-10 *	KIT A688-10	\$249	10 foot cable and pre-wired, 10-pin mating connector for HS35 encoders		
			N/A	A688-50 *	KIT A688-50	\$647	50 foot cable and pre-wired, 10-pin mating connector for HS35 encoders		
			N/A	A690-15 *	KIT A690-15	\$206	15 feet bulk cable, for use with NorthStar SL56/SL85 encoders		
STUB SHAFTS	182-449 100-225	-----	N/A	A807 *	KIT STUBSHAFT 1IN	\$150	1" stub shaft kit, for installation on XRI-SD & XRI-841 TEFC motors		
		-----	N/A	A809	KIT STUBSHAFT 16MM	\$150	16mm stub shaft kit, for (future) installation on Globetrotter IEC TEFC motors		

\* Stock Model

### Encoder Stub Shaft Kit

CAT. NO.	KIT NO.	LIST PRICE	MULT SYMBOL	WHERE USED
A807	KIT STUBSHAFT 1IN	\$150	E3	Fits XRI Severe Duty or XRI IEEE-841 motors to allow addition of 1" bore hollow shaft encoders. (182-449 TEFC)



# Accessory Kits - Multiplier Symbol S4

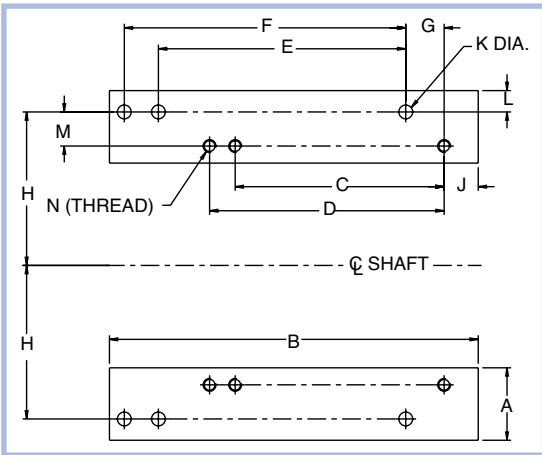
## Shaft Ground Brush

Shaft grounding brushes are recommended (NEMA MG1 31.4.4.3) as an effective means of bearing protection for motors operated from inverter power. One brush is adequate to bleed down inverter-sourced shaft voltages, thereby protecting both bearings for motors as large as 5011 frame. Kit includes ground brush, brush holder, shoulder bolt, and instructions. May not be installed on motors used in Division I or Division 2 hazardous locations. Shaft grounding brushes do not fit all motor types. Contact factory.

CAT. NO.	KIT NO.	LIST PRICE	MULT. SYMB.	COMMENTS
A103	KIT 103	\$312	S4	Drive end mount
A116	KIT 116	\$450	S4	Non-drive end mount

## Replacement Brush for A103 & A116

CAT. NO.	KIT NO.	LIST PRICE	MULT. SYMB.
A109	KIT 109	\$49	S4



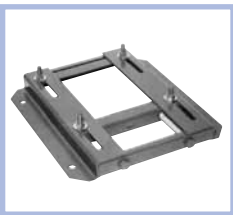
**Application:** Convert "T" frame ratings to "U" frame based dimensions and shaft heights. Shaft dimensions may vary from actual "U" frame specifications.

## Transition Bases

CAT. NO.	KIT #	CONVERTS FROM	CONVERTS TO	A	B	HGT	C	D	E	F	G	H	J	K	L	M	N (THREAD)	APP. WGHT.	LIST PRICE
1814T	KIT 180U	143T/145T	182/184	2 1/4	7 1/2	1	4	5	4 1/2	5 1/2	1/2	3 3/4	1	7/16	1/2	1	5/16-18	2	\$131
2118T	KIT 210U	182T/184T	213/215	1 3/4	9 1/2	3/4	4 1/2	5 1/2	5 1/2	7	1	4 1/4	1	7/16	7/16	1/2	3/8-16	3	\$166
25U21T	KIT 250U	213T/215T	254U/256U	2 7/16	12 3/4	1	5 1/2	7	8 1/4	10	1 1/8	5	1	9/16	5/8	3/4	3/8-16	5	\$166
28U25T	KIT 280U	254T/256T	284U/286U	2 3/4	14 1/4	3/4	8 1/4	10	9 1/2	11	1 3/8	5 1/2	1 1/4	9/16	15/16	1/2	1/2-13	8	\$166
32U28T	KIT 320U	284T/286T	324U/326U	3 1/4	15 3/4	1	9 1/2	11	10 1/2	12	1 1/2	6 1/4	1 1/2	11/16	15/16	3/4	1/2-13	10	\$196
36U32T	KIT 360U	324T/326T	364U/365U	3 11/16	16 1/2	1	10 1/2	12	11 1/4	12 1/4	1 3/4	7	1 3/4	11/16	1 3/16	3/4	5/8-11	13	\$232
40U36T	KIT 400U	364T/365T	404U/405U	4 1/4	18 5/8	1	11 1/4	12 1/4	12 1/4	13 3/4	2	8	2	13/16	1 1/4	1	5/8-11	22	\$297
44U40T	KIT 440U	404T/405T	444U/445U	4 1/4	21 5/8	1	12 1/4	13 3/4	14 1/2	16 1/2	2 1/4	9	2	13/16	1 1/4	1	3/4-10	24	\$297

ACCESSORY KITS

## Adjustable Motor Bases (Slide Bases)



**Application:** Used to adjust tension during motor installation. Made with heavy duty steel construction with single screw adjustment for 143T-215T Frame and double screw adjustment for 254T Frame and larger.

FRAME	CAT. NO.	KIT NO.	LIST PRICE	WGHT. LBS.
143	143A	KIT 143SB	\$80	5
145	145A	KIT 145SB	\$80	6
182	182A	KIT 182SB	\$89	9
184	184A	KIT 184SB	\$89	10
213	213A	KIT 213SB	\$107	14
215	215A	KIT 215SB	\$107	16
254	254B2	KIT 254SB	\$172	18
256	256B2	KIT 256SB	\$172	19
284	284B2	KIT 284SB	\$204	21
286	286B2	KIT 286SB	\$204	22

FRAME	CAT. NO.	KIT NO.	LIST PRICE	WGHT. LBS.
324	324B2	KIT 324SB	\$269	31
326	326B2	KIT 326SB	\$269	32
364	364B2	KIT 364SB	\$352	44
365	365B2	KIT 365SB	\$352	45
404	404B2	KIT 404SB	\$514	60
405	405B2	KIT 405SB	\$514	61
444	444B2	KIT 444SB	\$710	67
445	445B2	KIT 445SB	\$710	69
447	447B2	KIT 447SB	\$1,064	92
449	449B2	KIT 449SB	\$1,064	95

# Avtron Encoders help bulletproof your equipment...

## ...and your good name!

Your reputation rides on every piece of equipment you ship. Often, if there's a failure, it's a low-cost component at the root of it. In drive and motor systems, that means the encoder.

How do you "bulletproof" equipment? You start by including the most reliable encoders in the world from Avtron. Now your feedback system will shrug off dirt, dust, temperature changes, and liquids. Avtron encoders fit Marathon motors best, from the HS25A for the smallest Black Max motors, to our severe duty M685 models for big Marathon crane and mill motors.

We proudly manufacture our products in the USA.



### Reliable Optical

Avtron's HS35A and HS25A premium encoders are tougher than ordinary encoders. No more broken disks, no more failed bearings.

Select our HS25A or HS35A optical, premium encoders. No price premium.



HS25A, HS35A, and HS35M

### Rugged Magnetic

Step up to magnetic encoder reliability with the HS35M. Magnetic sensors see through dirt and moisture that stop lesser encoders.

Select the HS35M to eliminate soldered connections and to keep your application running in wet, dirty environments.

### Severe and Heavy Mill Duty

Tough choices: Select our hollow shaft M4, M6, and M685 models, or use the C-face style M56, M85, and M285 to eliminate bearings altogether. Either way, you get Wide-Gap magnetic technology that ends scraped sensors and stands up to the worst conditions.

Our heavy and severe duty magnetic encoders are like adding another layer of bulletproof Kevlar to your machine.



M1250, M285, M685, M6, M4, M56, M85, and M56 dual.

### Specify Avtron Encoders — Today!

Many Models In-Stock at Marathon; Even Non-Stock Models Have Quick Delivery!  
Turn to pages XXX and YYY in this Marathon Catalog to Select Your Avtron Encoder.

Check out our web site for more detailed specifications, drawings, and installation instructions:

[www.hs-encoders.com](http://www.hs-encoders.com)



8901 E. Pleasant Valley Road, Independence, OH 44131, U.S.A. • 216-642-1230 • FAX 216-642-6037 • [www.hs-encoders.com](http://www.hs-encoders.com)

**Your Marathon Motor deserves the finest feedback... A vector duty Dynapar or NorthStar encoder. Dynapar Corporation provides more encoders for feedback on AC vector motors than all other manufacturers combined. Here are five good reasons why:**

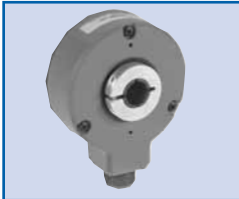
- 3 year warranty and extended temperature range models standard when supplied on a Marathon motor.
- Short circuit, reverse voltage and over voltage protection.
- Voltage regulators and differential line drivers for 5-24VDC or extra high current 5-15VDC operation.
- Robust cast and machined metal housings, rugged protective covers and hardware.
- All hollow shaft encoders have insulated hubs and tethers to protect encoder bearings against motor shaft currents.

**DYNAPAR HS20**



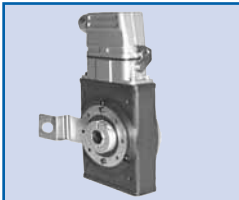
- Compact 2 inch diameter version of the famous HS35.
- Low cost market leader.
- IP65/Nema 4
- Unbreakable disk, wide gap optical technology.
- Euro connectors available.

**DYNAPAR HS35 — NEW & IMPROVED**



- **NEW** – Heavy duty seals, gasketed rear cover and slinger for IP67 rating, dust & liquid tight.
- **NEW** – Lower runout, one piece metal hub with insulator, for less wallow and jitter than encoders with interchangeable inserts.
- Unbreakable disk, wide gap optical technology.
- **NEW** – More rigid unbreakable disk in 1024 and 2048 PPR models
- Single or dual output, Euro connectors available.

**NORTHSTAR HSD35 — NEW HEAVY DUTY**



- Heavy duty, solderless Epic style plug-in connectors with terminal strips for easy wiring.
- IP64 and IP67 ratings for maximum protection.
- Stamped spring metal or swivel rod tether.
- Single or dual output .
- A Premium encoder at a competitive price.

**NORTHSTAR SLIM TACHS — NEW & IMPROVED SL56 / SL85/ SL1250**



- Rugged, Mill Duty bearingless construction for end of motor or sandwich mounting with shaft V seals.
- Self aligning housing and easy to install and align pulse wheels.
- Recessed sensor with protective covering for no-scrape operation.
- Magnetic material is molded to the wheels ( not glued on) so it cannot delaminate.
- Thermally conductive potting gets the heat out and provides greater operating headroom.
- Heavy duty, solderless Epic style plug-in connectors with terminal strips for easy wiring.
- **NEW** –Reference marker pulse is now standard on Marathon standard kits.
- **NEW** –Provisions for Marathon shaft grounding brush kit.
- **NEW** –Stainless steel model, including hub, for Food Processing and Marine applications.
- Hard anodizing for maximum corrosion protection.
- **NEW** –Improved wide gap magnetic technology provides the industry's widest air gap variation tolerance range of .028 inches.
- **NEW** –Improved shielding and noise immunity for use with brakes and ungrounded motors.
- Positive clamping hubs (no set screws) for better grip, concentricity and less signal jitter.

To view our complete family of popular encoders including the Dynapar ACURO® Absolute encoder range and NorthStar RIM Tach Mill Duty series, we invite you to visit our website at [www.dynapar.com](http://www.dynapar.com)

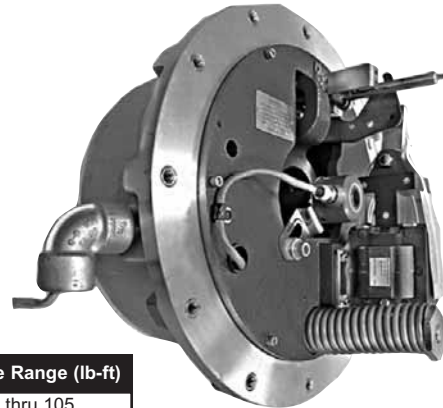


# Stearns® Brakes, Clutches and Electronic Components

## Encoder Brakes

### Your solution for encoder/brake motor applications

- > All enclosure ratings including Hazardous Location
- > Separate conduit exits are provided for the brake and encoder leads to minimize potential electrical interference
- > Why an encoder brake?
  - ~ Improved encoder and brake environmental protection
  - ~ Simplified encoder mounting
  - ~ Reduced package length



82,300 Series Brake Shown

Brake Series	Motor Frame Size	Torque Range (lb-ft)
87,E00	182TC-256TC	6 thru 105
87,300*	182TC-256TC (Division 1 Hazardous Location)	10 thru 105
81,000	324TC-405TC	125 thru 230
82,000	324TC-405TC	125 thru 440
82,300	324TC-405TC (Division 1 Hazardous Location)	125 thru 330
86,000	444TC-505 TC	500 thru 1000

\*Consult Factory for Delivery

## Stearns...#1 supplier of quality motor brakes

Stearns Brakes...the choice of motor customers.

They've come to rely on Stearns innovative ideas, application support, consistent quality and exceptional service.

Our partnership with our customers reinforces our commitment to provide the most reliable brakes and motor accessories available. We back up this commitment after the sale by ensuring immediate access to local service and replacement parts through over 900 distributor branches.



**Request Stearns brakes, clutches and electronic components for your next project.**



Stearns Division  
5150 S. International Drive  
Cudahy, WI 53110  
Ph: 414.272.1100 Fax: 414.277.4364  
www.rexnord.com/stearns

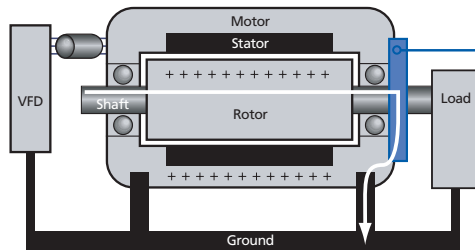


# Extend the Life of Your Motor

Protect your Marathon motor against electrical bearing damage from VFD-induced shaft currents



The World's Most Effective Shaft Grounding Brush!



- Maintenance-free
- Easily installed in minutes – **even in the field**
- Convenient mounting brackets – no machining required
- Contamination-proof – unaffected by dirt, grease, or other contaminants
- Lasts for life of motor
- Standard sizes for 1 to 1500 HP AC motors
- Shaft diameters from 0.311" to 6.020" (8 mm to 153 mm)
- Larger sizes for shafts greater than 6"



\* Patents Pending



**Electro Static Technology™**  
An ITW Company

TEL: 1-866-738-1857  
sales@est-aegis.com  
www.est-aegis.com



Marathon Electric and EIS are pleased to announce the formation of our "Parts Plus" program for Marathon Electric motor parts. The effective date will be June 1, 2007. We expect the transition to be seamless, and anticipate an improvement in our ability to service your motor parts requirements. EIS is making a significant investment in parts inventory, resulting in an enhanced ability to process inquiries and fulfill your orders in a timely manner.

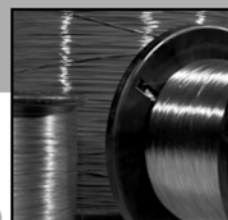
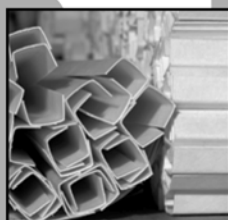
Beginning in June, all parts inquires for Marathon Electric motors will be referred to the nearest EIS branch, located strategically throughout the U.S. and Canada. See the listing below for EIS locations and contact information.

Marathon Electric has equipped EIS with all of the necessary systems to research parts data for motors. However, effective with this announcement, we will no longer provide service parts for motors over 10 years old, as this information is no longer available in Marathon's data base.

Stock parts include: Capacitors, Capacitor cover, Switches, Overload Protectors, Bearings, Brushes and Brush holders (PMDC), Fans, Fan Guards, Conduit Boxes & Covers, Bases and most standard Endbells (brackets). Non-Stock parts include: Shafts, Rotor Cores, Stator Cores, Frames ( housings), and Accessories such as encoders, brakes and blower assemblies. Non-Stock parts orders will be subject to minimum billing and extended leadtime.

## Your One Source for All Your Electric Motor Repair Parts, Bearings, Seals, Equipment, Accessories, All Winding Materials & Supplies

[www.eis-inc.com](http://www.eis-inc.com)

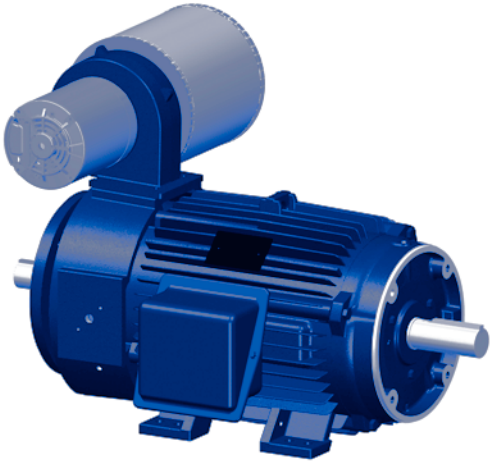


Atlanta	800.447.0135	Detroit	800.347.8511	Oklahoma City	800.654.6631
Birmingham	800.829.8642	Houston	800.347.3380	Philadelphia	800.367.1212
Bluefield	800.959.5424	Kansas City	800.377.5717	Phoenix	800.347.2740
Charlotte	800.235.9491	Los Angeles	800.347.2740	Portland	800.347.3601
Chicago	800.347.5407	Memphis	800.766.7866	Puerto Rico	787.757.6565
Cleveland	800.347.8991	Miami	800.524.0180	San Francisco	800.347.9611
Dallas	800.786.7033	Minneapolis	800.328.4662	Seattle	800.347.6303

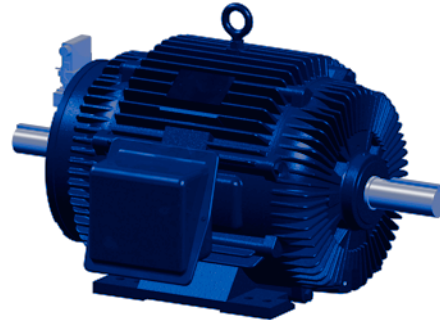
**the  advantage**

# Specials Are Our Specialty

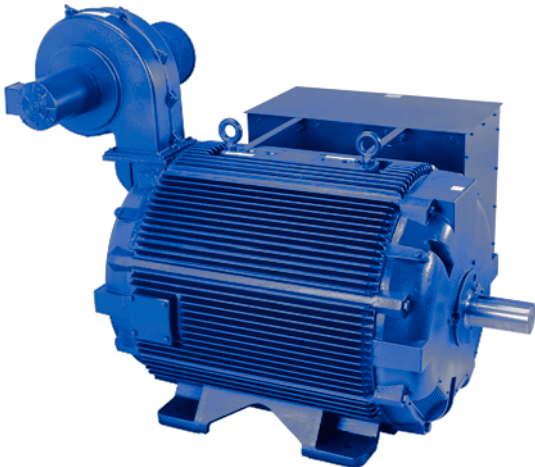
**320 TCZ TEBC**  
Blower Cooled, Special ODE shaft, C-Face



**320 TZ TENV**  
Non Ventilated, Special ODE Shaft, Encoder



**6805 DPFV**  
Cast Iron, Force Ventilated, F2



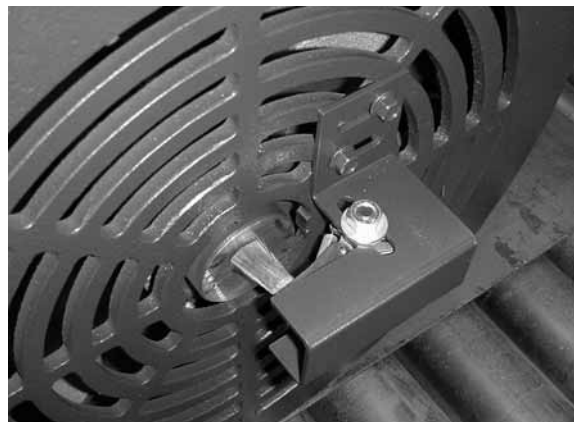
**132 MFFZ**  
Cast Iron, Round, FF Flange, F4



**Marathon's "IntelliBrake"**  
Stearns & Dings Brakes  
with Imbedded Encoder

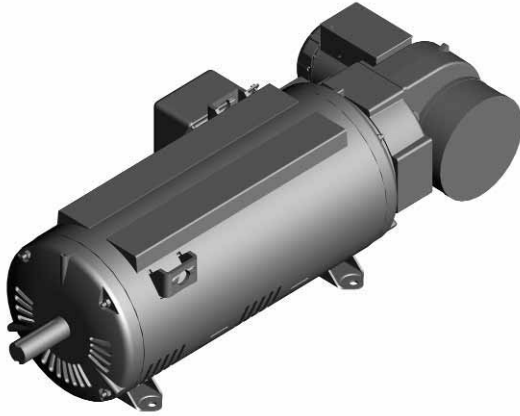


**Ground Brush**  
Opposite Drive End

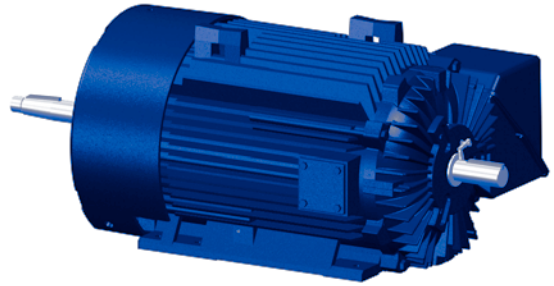


# Specials Are Our Specialty

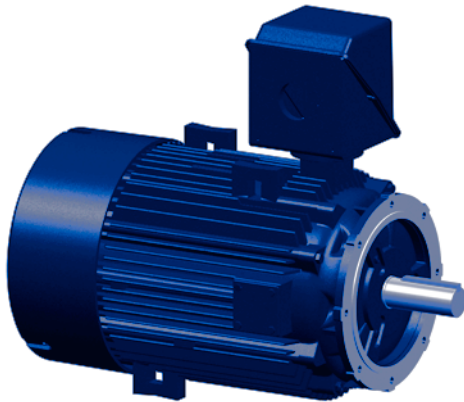
**3212 DPFV**  
Rolled Steel, Force Ventilated



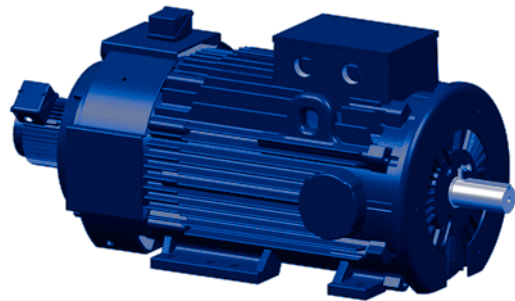
**440TCZ TEFC**  
Cast Iron, Tapered ODE shaft, F2



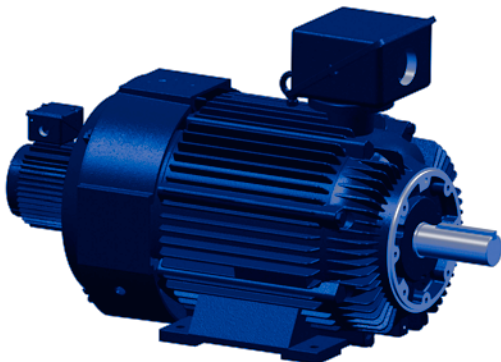
**440TD TEFC Round**  
Cast Iron, Round, D-Flange



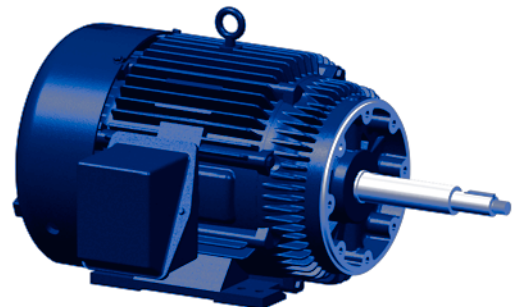
**280 IEC TEBC**  
Blower Cooled, Ground Brush, F3



**400TC TEBC**  
Blower Cooled, C-Face, F3

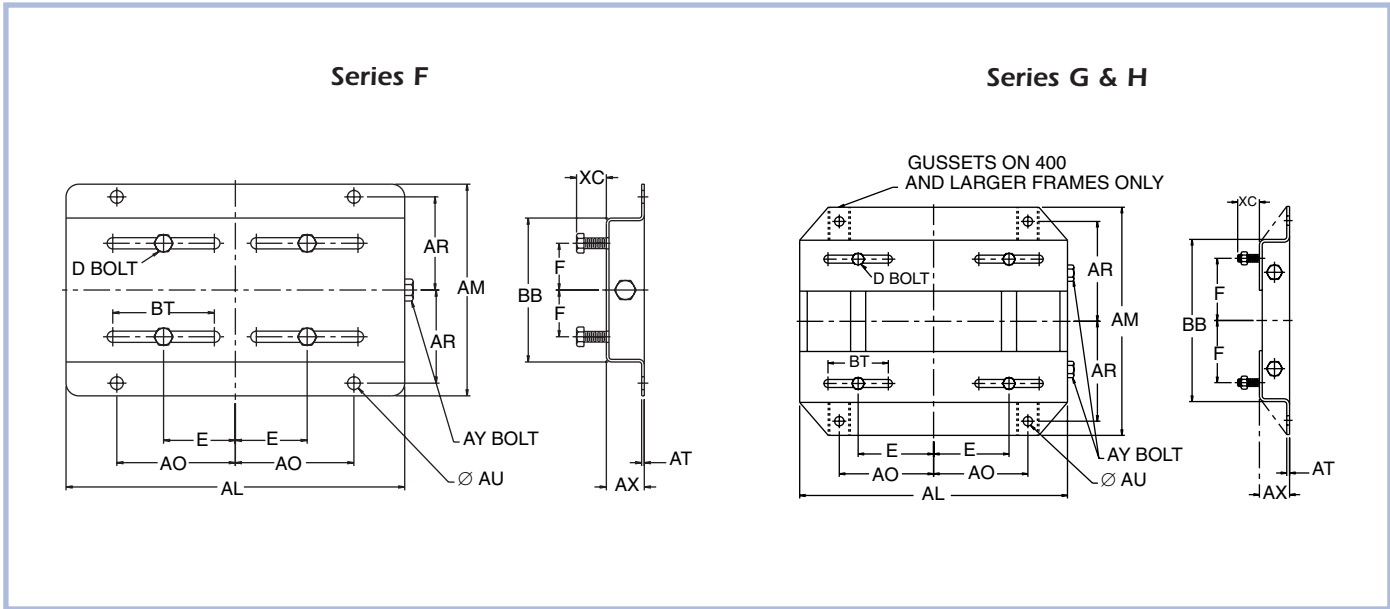


**320TCZ TEFC**  
Special Shaft, C-Face



# Dimensions

## Slide Bases



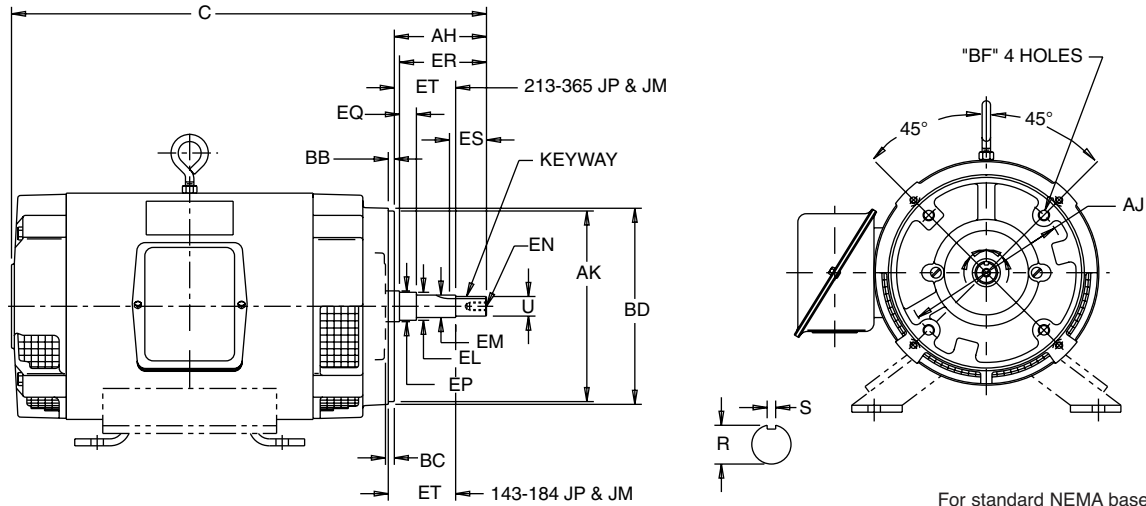
SERIES	FRAME NO.	AL	AM	AX	BB	E	F	AO	AR	AU	BT	AT	XC	D BOLT	AY BOLT	APROX. WT. (LBS.)
F	143	10 1/2	7 1/2	1 1/8	5 1/2	2 3/4	2	3 3/4	3 3/8	3/8	3	.119	13/16	5/16 x1	3/8x4	5
F	145	10 1/2	8 1/2	1 1/8	6 1/2	2 3/4	2 1/2	3 3/4	3 7/8	3/8	3	.119	13/16	5/16x1	3/8x4	6
F	182	12 3/4	9 1/2	1 1/2	6 1/2	3 3/4	2 1/4	4 1/2	4 1/4	1/2	3	.134	1 1/2	3/8x1 3/4	1/2x6	9
F	184	12 3/4	10 1/2	1 1/2	7 1/2	3 3/4	2 3/4	4 1/2	4 3/4	1/2	3	.134	1 1/2	3/8s1 3/4	1/2x6	9
F	213	15	11	1 3/4	7 1/2	4 1/4	2 3/4	5 1/4	4 3/4	1/2	3 1/2	.164	1 1/2	3/8x1 3/4	1/2x6	13
F	215	15	12 1/2	1 3/4	9	4 1/4	3 1/2	5 1/4	5 1/2	1/2	3 1/2	.164	1 1/2	3/8x1 3/4	1/2x6	15
G	254	17 3/4	15 1/8	2	10 3/4	5	4 1/8	6 1/4	6 5/8	5/8	4	3/16	1 7/16	1/2x1 3/4	5/8x6	17
G	256	17 3/4	16 7/8	2	12 1/2	5	5	6 1/4	7 1/2	5/8	4	3/16	1 7/16	1/2x1 3/4	5/8x6	18
G	284	19 3/4	16 7/8	2	12 1/2	5 1/2	4 3/4	7	7 1/2	5/8	4 1/2	3/16	1 11/16	1/2x2	5/8x6	21
G	286	19 3/4	18 3/8	2	14	5 1/2	5 1/2	7	8 1/4	5/8	4 1/2	3/16	1 11/16	1/2x2	5/8x6	22
G	324	22 3/4	19 1/4	2 1/2	14	6 1/4	5 1/4	8	8 1/2	3/4	5 1/4	3/16	2 3/16	5/8x2 1/2	3/4x9	31
G	326	22 3/4	20 3/4	2 1/2	15 1/2	6 1/4	6	8	9 1/4	3/4	5 1/4	3/16	2 3/16	5/8x2 1/2	3/4x9	32
G	364	25 1/2	20 1/2	2 1/2	15 1/2	7	5 5/8	9	9 1/8	3/4	6	1/4	2 1/16	5/8x2 1/2	3/4x9	44
G	365	25 1/2	21 1/2	2 1/2	16 1/2	7	6 1/8	9	9 5/8	3/4	6	1/4	2 1/16	5/8x2 1/2	3/4 x9	45
H	404	28 3/4	22 3/8	3	16 1/2	8	6 1/8	10	9 7/8	7/8	7	1/4	2 1/2	3/4x3	3/4x11	60
H	405	28 3/4	23 7/8	3	18	8	6 7/8	10	10 5/8	7/8	7	1/4	2 1/2	3/4x3	3/4x11	61
H	444	31 1/4	24 5/8	3	19 1/4	9	7 1/4	11	11	7/8	7 1/2	1/4	2 1/2	3/4x3	3/4x11	67
H	445	31 1/4	26 5/8	3	21 1/4	9	8 1/4	11	12	7/8	7 1/2	1/4	2 1/2	3/4x3	3/4x11	69
H	447	31 1/4	30 1/8	3	24 3/4	9	10	11	13 3/4	7/8	7 1/2	5/16	3	3/4x3 1/2	3/4x11	92
H	449	31 1/4	35 1/8	3	29 3/4	9	12 1/2	11	16 1/4	7/8	7 1/2	5/16	3	3/4x3 1/2	3/4x11	95

DIMENSIONS

All dimensions are measured in inches. For "C" dimensions, refer to the appropriate catalog page. Certified drawings are available upon request - contact Marathon Electric for details.

## Definite Purpose - Close Coupled Pump Motors

### Typical Close Coupled Pump Motor



For standard NEMA base dimensions, see chart on back cover

### Dimensions for Type JM

Frame Desig.	U	AH	AJ	AK	BB	BD Max.	BF			EL	EM	EN			EP Min.	EQ	ER Min.	Keyseat			ET
							No.	Tap Size	Bolt Pen. Allow.			Tap Size	Tap Drill Depth Max.	Bolt Pen. Allow.				R	ES Min.	S	
143 & 145	0.8745	4.15	5.890	4.500	0.150	6.62	4	3/8-16	0.56	1.156	1.0000	3/8-16	1.12	0.75	1.156	0.640	4.25	0.771	1.65	0.190	2.890
	0.8740	4.10	5.860	4.497	0.10					1.154	0.9995					0.610		0.756		0.188	2.860
182 & 184	0.8745	4.13	5.89	4.500	0.16	6.62	4	3/8-16	0.56	1.250	1.0000	3/8-16	1.12	0.75	1.250	0.640	4.25	0.771	1.65	0.190	2.890
	0.8740	4.09	5.86	4.497	0.125					1.248	0.9995					0.610		0.756		0.188	2.860
213 & 215	0.8750	4.25	7.265	8.500	0.312	9.00	4	1/2-13	0.75	1.250	1.0000	3/8-16	1.12	0.75	1.750	0.640	4.25	0.771	1.65	0.190	2.890
	0.8745		7.235	8.497	0.250					1.248	0.9995					0.610		0.756		0.188	2.860
254 & 256	1.2495	5.25	7.250	8.500	0.312	10.00	4	1/2-13	0.75	1.750	1.3750	1/2-13	1.50	1.00	1.750	0.640	5.25	1.112	2.53	0.252	3.015
	1.2490			8.497	0.250					1.748	1.3745					0.610		1.097		0.250	2.985
284 & 286	1.2495	5.281	11.00	12.500	0.312	14.00	4	5/8-11	0.94	1.750	1.3750	1/2-13	1.50	1.00	2.125	0.645	5.25	1.112	2.53	0.252	3.020
	1.2490	5.219		12.495	0.250					1.748	1.3745					0.605		1.097		0.250	2.980
324 & 326	1.2495	5.281	11.00	12.500	0.312	14.00	4	5/8-11	0.94	1.750	1.3750	1/2-13	1.50	1.00	2.125	0.645	5.25	1.112	2.53	0.252	3.020
	1.2490	5.219		12.495	0.250					1.478	1.3745					0.605		1.097		0.250	2.980

### Dimensions for Type JP

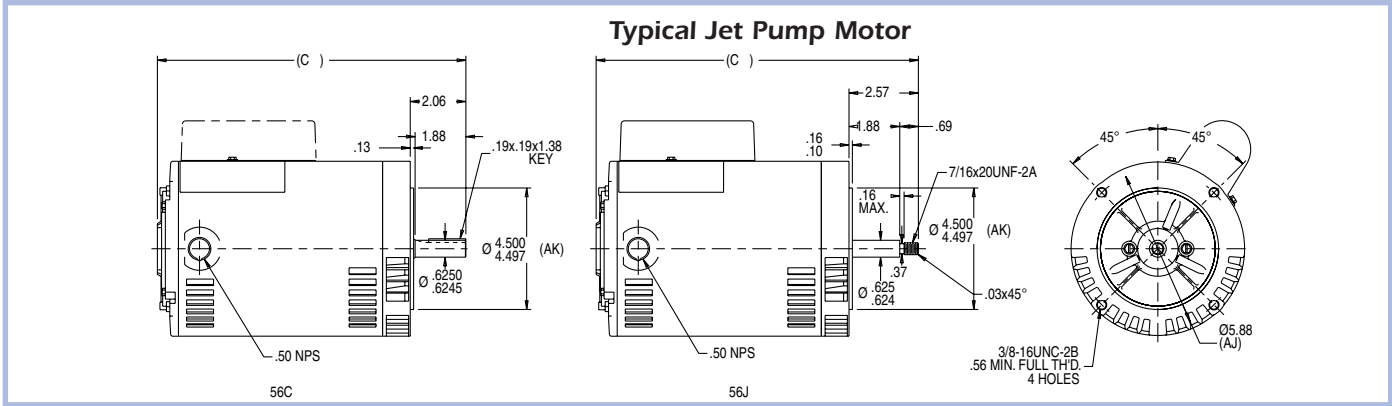
Frame Desig.	U	AH	AJ	AK	BB	BD Max.	BF			EL	EM	EN			EP Min.	EQ	ER Min.	Keyseat			ET
							No.	Tap Size	Bolt Pen. Allow.			Tap Size	Tap Drill Depth Max.	Bolt Pen. Allow.				R	ES Min.	S	
143 & 145	0.8745	7.19	5.890	4.500	0.156	6.62	4	3/8-16	0.56	1.156	1.0000	3/8-16	1.12	0.75	1.156	1.578	7.312	0.771	1.65	0.190	5.952
	0.8740	7.15	5.860	4.497	0.125					1.154	0.9995					1.548		0.756	1.65	0.188	5.922
182 & 184	0.8745	7.21	5.890	4.500	0.156	6.62	4	3/8-16	0.56	1.250	1.0000	3/8-16	1.12	0.75	1.250	1.578	7.312	0.771	1.65	0.190	5.952
	0.8740	7.15	5.860	4.497	0.100					1.248	0.9995					1.548		0.756		0.188	5.922
213 & 215	1.2495	8.12	7.250	8.500	0.312	9.00	4	1/2-13	0.75	1.750	1.3750	1/2-13	1.50	1.00	1.750	2.390	8.125	1.112	2.53	0.252	5.890
	1.2490			8.497	0.250					1.748	1.3745					2.360		1.097		0.250	5.860
254 & 256	1.2495	8.156	7.250	8.500	0.312	10.00	4	1/2-13	0.75	1.750	1.3750	1/2-13	1.50	1.00	1.750	2.390	8.125	1.112	2.53	0.252	5.890
	1.2490	8.094		8.497	0.250					1.748	1.3745					2.360		1.097		0.250	5.855
284 & 286	1.2495	8.156	11.00	12.500	0.312	14.00	4	5/8-11	0.94	1.750	1.3750	1/2-13	1.50	1.00	2.125	2.390	8.125	1.112	2.53	0.252	5.895
	1.2490	8.094		12.495	0.250					1.748	1.3745					2.360		1.097		0.250	5.860
324 & 326	1.2495	8.12	11.00	12.500	0.312	14.00	4	5/8-11	0.94	1.750	1.3750	1/2-13	1.50	1.00	2.125	2.395	8.125	1.112	2.53	0.252	5.895
	1.2490			12.495	0.250					1.748	1.3745					2.355		1.097		0.250	5.855
364 & 365	1.6245	8.12	11.00	12.500	0.312	14.00	4	5/8-11	0.94	2.125	1.7500	1/2-13	1.50	1.00	2.500	2.395	8.125	1.416	2.53	0.377	5.895
	1.6240			12.495	0.250					2.13	1.7495					2.355		1.401		0.375	5.855

All dimensions are measured in inches. For "C" dimensions, refer to the appropriate catalog page. Certified drawings are available upon request - contact Marathon Electric for details.

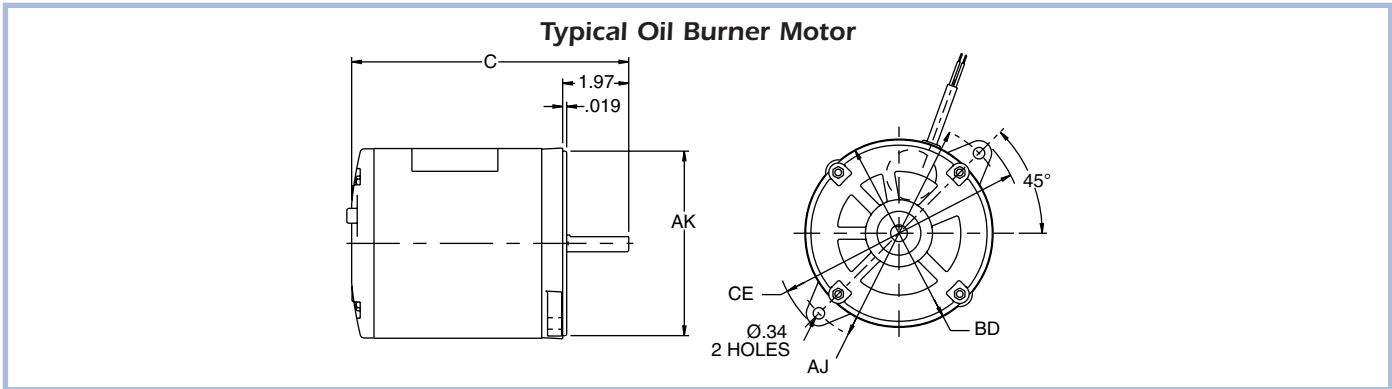


# Dimensions

## Definite Purpose - Jet Pump Motors

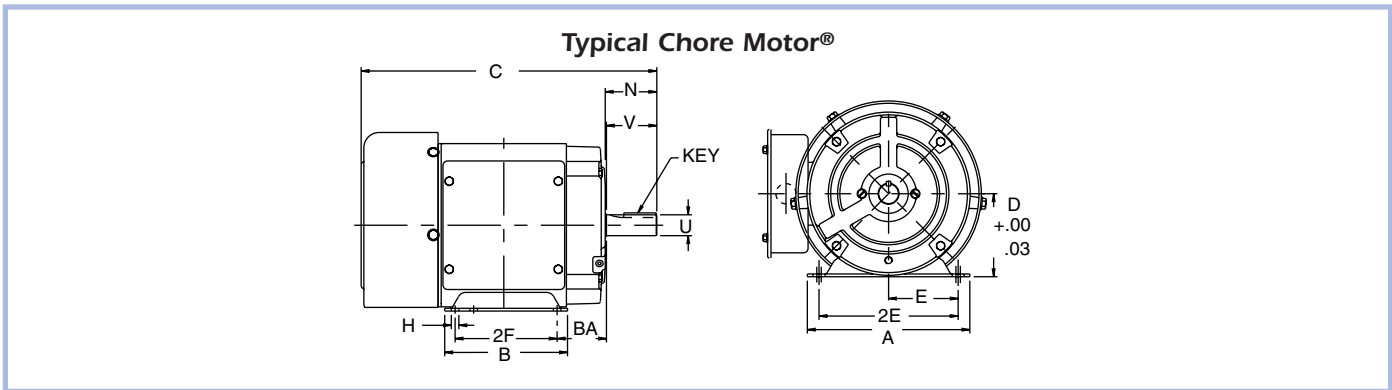


## Definite Purpose - Oil Burner Motors



FRAME DESIGNATION	AJ	AK	BD MAX.	CE MAX.
48M	6.750	5.500	6.25	7.75
48N	7.250	6.375	7.00	8.25

## Definite Purpose - Chore Motors®



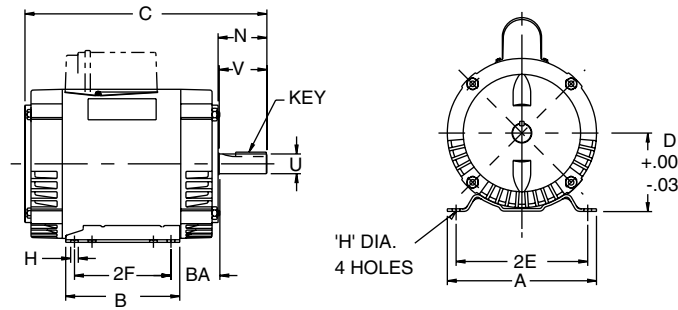
FRAME	D	2E	2F	H	N	U	V	BA	KEY
182TZ	4.50	7.50	4.50	0.41	2.78	0.87	2.75	2.75	.19x.19x1.75
184T	4.50	7.50	5.50	0.41	2.78	1.12	2.75	2.75	.25x.25x1.75
213TZ	5.25	8.50	5.50/7.00	0.44	3.47	1.12	3.38	3.50	.25x.25x1.75
215TZ	5.25	8.50	5.50/7.00	0.44	3.47	1.12	3.38	3.50	.25x.25x1.75
215T	5.25	8.50	7.00	0.44	3.56	1.38	3.38	3.50	.31x.31x2.38

All dimensions are measured in inches. For "C" dimensions, refer to the appropriate catalog page. Certified drawings are available upon request - contact Marathon Electric for details.

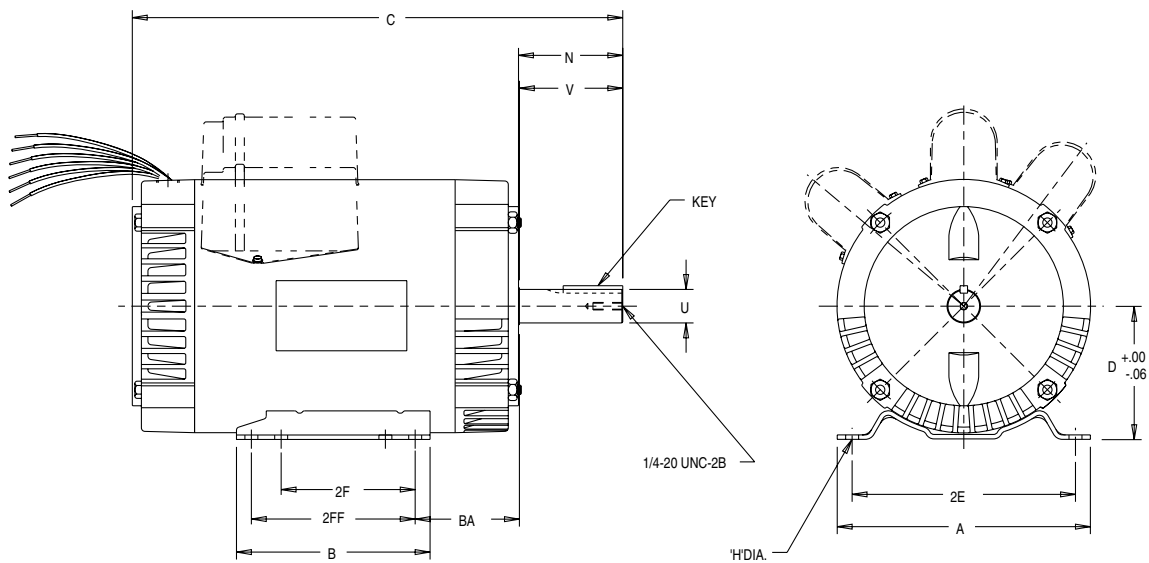
# Dimensions

## Definite Purpose - Crop Dryer Motors

Typical Crop Dryer Motor



CAT. NO.	FRAME	D	2E	2F	H	N	U	V	BA	KEY
Z304	145TZ	3.50	5.50	5.00	0.34	3.06	0.875	2.88	2.25	.19x.19x1.38
Z305,Z306,Z307	184TZ	4.50	7.50	5.50	0.41	3.03	1.125	2.88	2.75	.25x.25x2.00
Z308	215TZ	5.25	8.50	7.00	0.44	3.59	1.125	3.50	3.50	.25x.25x2.75

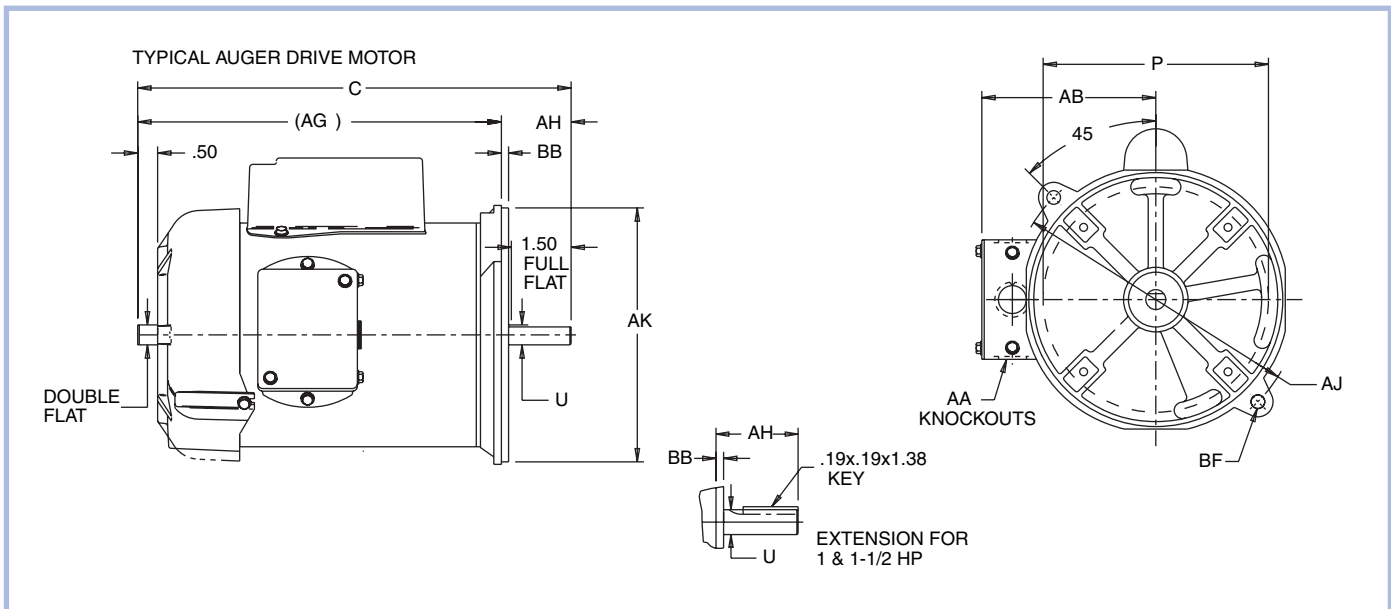


CAT. NO.	FRAME	D	2E	2F	2FF	H	N	U	V	BA	KEY
Z313	182/4TZ	4.50	7.50	4.50	5.50	0.44	3.50	1.125	3.47	2.75	.25x.25x2.00
Z314,Z315	213/5TZ	5.25	8.50	5.50	7.00	0.44	4.59	1.125	4.50	3.50	.25x.25x3.00

All dimensions are measured in inches. For "C" dimensions, refer to the appropriate catalog page. Certified drawings are available upon request - contact Marathon Electric for details.

# Dimensions

## Auger Drive Motors

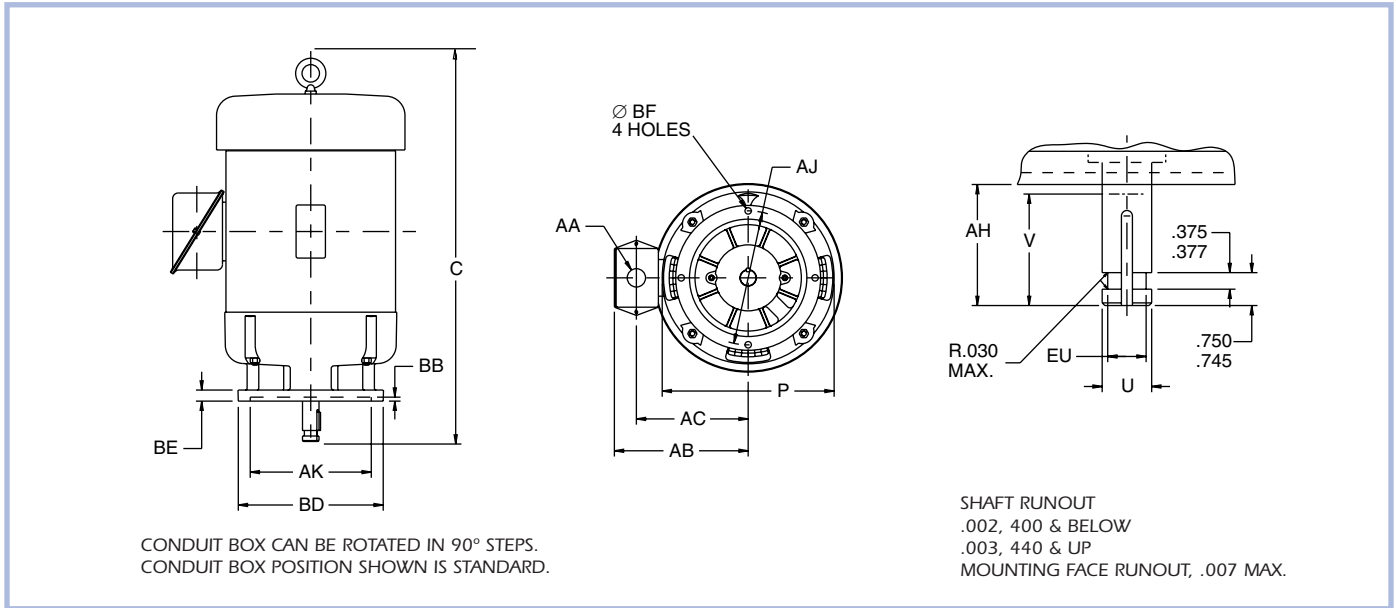


HP	FRAME	P MAX.	U	AA	AB MAX.	AH	AJ	AK	BB	BF
1/3	48N	5.69	.5000	.88 (qty 3)	4.44	1.75	7.250	6.375	.18	.34
1/2	48N	5.69	.5000	.88 (qty 3)	4.44	1.75	7.250	6.375	.18	.34
3/4	56NZ	6.48	.5000	.88 (qty 3) 1.09 (qty 2)	5.56	1.75	7.250	6.375	.19	.34
1	56NZ	6.48	.6250	.88 (qty 3) 1.09 (qty 2)	5.56	2.06	7.250	6.375	.19	.34
1-1/2	56NZ	6.48	.6250	.88 (qty 3) 1.09 (qty 2)	5.64	2.06	7.250	6.375	.19	.34

All dimensions are measured in inches. For "C" dimensions, refer to the appropriate catalog page. Certified drawings are available upon request - contact Marathon Electric for details.

# Dimensions

## Vertical Solid Shaft, Dripproof



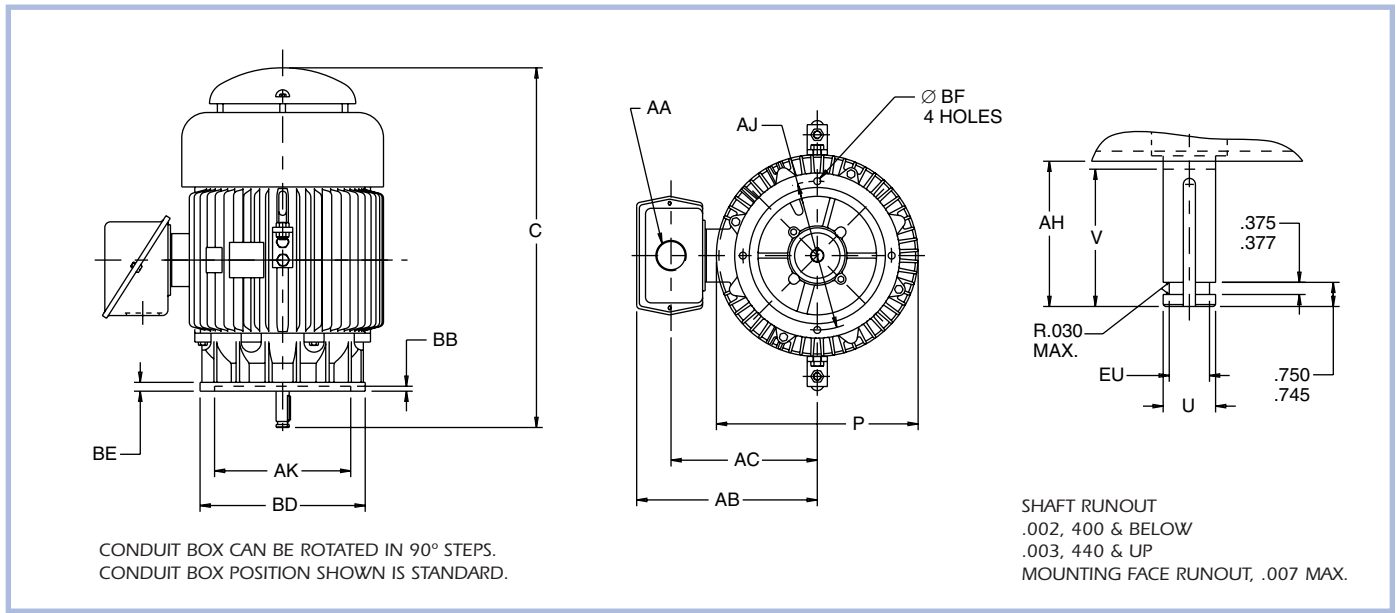
For "C" dimensions, see individual model numbers in catalog.

FRAME	BD MAX.	BB MIN.	AK	AJ ±.015	P	U	V	AA	AB	AC	AH	EU	KEY	BE	BF
143-145	9.88	.19	8.250 8.253	9.125	N/A	.875 .874	2.75	1.09	5.56	4.53	2.75	.688 .683	.19x.19x1.38	.56	.44
182-184	10.00	.19	8.250 8.253	9.125	9.38	1.125 1.124	2.75	1.09	7.38	5.75	2.75	.875 .870	.25x.25x1.25	.62	.44
213-215	10.00	.19	8.250 8.253	9.125	11.00	1.125 1.124	2.75	1.09	7.94	6.31	2.75	.875 .870	.25x.25x1.38	.62	.44
254-256	10.00	.19	8.250 8.253	9.125	12.97	1.125 1.124	2.75	1.75	9.12	7.62	2.75	.875 .870	.25x.25x1.25	.75	.44
284-286	12.00	.19	8.250 8.253	9.125	15.56	1.125 1.124	2.75	2.00	12.00	9.00	2.75	.875 .870	.25x.25x1.75	.75	.44
324-326	16.38	.25	13.500 13.505	14.750	17.62	1.625 1.624	4.50	2.50	13.06	10.06	4.50	1.125 1.124	.38x.38x3.00	.88	.69
364-365	16.50	.25	13.500 13.505	14.750	20.50	1.625 1.624	4.50	3.00	17.75	13.56	4.50	1.250 1.245	.38x.38x3.00	1.12	.69
404-405	16.50	.25	13.500 13.505	14.750	22.38	1.625 1.624	4.50	3.50	20.00	14.75	4.50	1.250 1.245	.38x.38x3.00	1.12	.69
444-445	16.38	.25	13.500 13.505	14.750	24.25	2.125 2.124	4.50	4.00	20.75	16.50	4.50	1.750 1.745	.50x.50x3.00	1.15	.69
505	20.00	.25	13.500 13.505	14.750	27.50	2.625 2.624	5.00	4.00	22.38	18.12	5.00	2.250 2.245	.62x.62x3.00	1.12	.69
508	20.00	.25	13.500 13.505	14.750	27.50	2.625 2.624	5.00	4.00	22.38	18.12	5.00	2.250 2.245	.62x.62x3.00	1.12	.69

All dimensions are measured in inches. For "C" dimensions, refer to the appropriate catalog page. Certified drawings are available upon request - contact Marathon Electric for details.

# Dimensions

## Vertical Solid Shaft, Totally Enclosed Fan Cooled (TEFC)



For "C" dimensions, see individual model numbers in catalog.

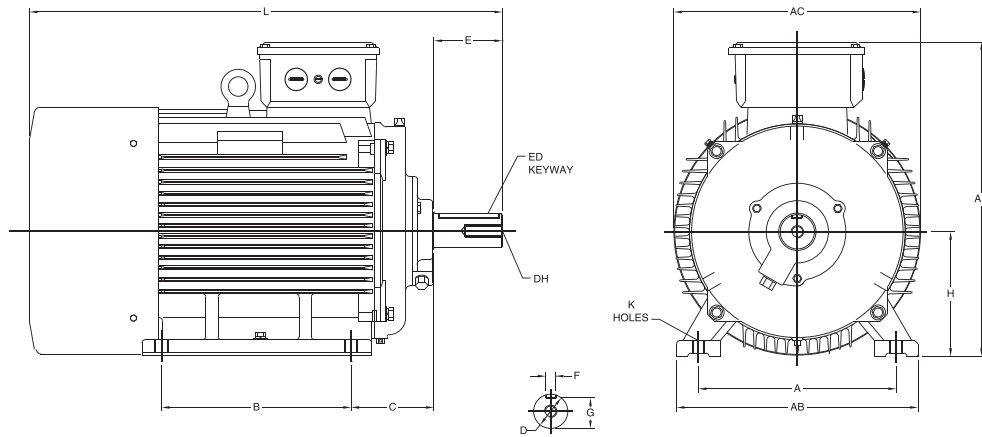
FRAME	BD MAX.	BB MIN.	AK	AJ ±.015	P	U	V	AA	AB	AC	AH	EU	KEY	BE	BF
143-145	9.88	.19	8.250 8.253	9.125	N/A	.875 .874	2.75	1.09	5.28	4.44	2.75	.688 .683	.19x.19x1.38	.56	.44
182-184	10.00	.19	8.250 8.253	9.125	N/A	1.125 1.124	2.75	1.09	7.38	5.75	2.75	.875 .870	.25x.25x1.25	.62	.44
213-215	9.88	.19	8.250 8.253	9.125	11.00	1.125 1.124	2.75	1.34	7.50	6.38	2.75	.875 .870	.25x.25x1.38	.62	.44
254-256	9.88	.19	8.250 8.253	9.125	11.00	1.125 1.124	2.75	1.75	9.01	6.76	2.75	.875 .870	.25x.25x1.75	.62	.44
284-286	10.00	.19	8.250 8.253	9.125	15.50	1.125 1.124	2.75	2.00	13.69	10.69	2.75	.875 .870	.25x.25x1.25	.81	.44
324-326	16.38	.25	13.500 13.505	14.750	18.25	1.625 1.624	4.50	2.50	14.69	11.69	4.50	1.250 1.245	.38x.38x3.00	.88	.69
360	16.38	.25	13.500 13.505	14.750	20.00	1.625 1.624	4.50	3.62	17.88	13.88	4.50	1.250 1.245	.38x.38x3.00	.88	.69
400	16.38	.25	13.500 13.505	14.750	21.75	1.625 1.624	4.50	3.62	19.50	16.25	4.50	1.250 1.245	.38x.38x3.00	.94	.69
440	16.38	.25	13.500 13.505	14.750	24.25	2.125 2.124	4.50	3.62	21.00	17.38	4.50	1.750 1.745	.50x.50x3.00	.94	.69
449	16.38	.25	13.000 13.505	14.750	26.31	2.125 2.124	4.50	4.62	26.94	20.31	4.50	1.750 1.745	.50x.50x3.00	.99	.69

DIMENSIONS

All dimensions are measured in inches. For "C" dimensions, refer to the appropriate catalog page. Certified drawings are available upon request - contact Marathon Electric for details.



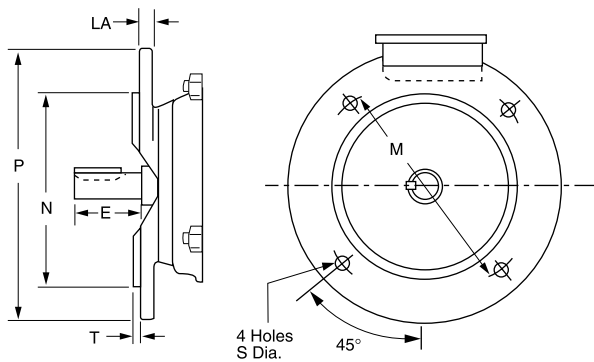
### B3 FOOT-MOUNTED



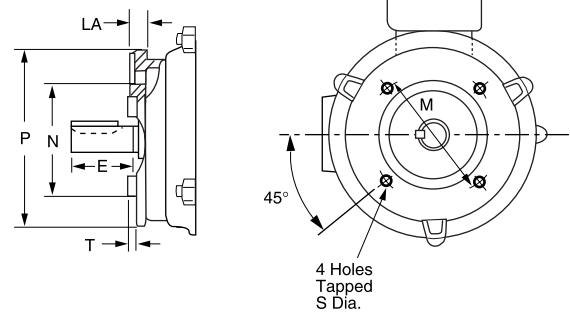
### IEC FRAME DIMENSIONS (Millimeters)

Frame	Mounting						Shaft						General			FF Flange						FT Face					
	A	B	C	H	AB	K	D	E	F	G	ED	DH	AC	AD	HD	M	N	P	S	T	LA	M	N	P	S	T	LA
D63	100	80	40	63	119	7	11	23	4	8.5	10	M4 x 10	126	-	169	115	95	140	10	3.0	7	75	60	90	M5	2.5	7
D71	112	90	45	71	131	7	14	30	5	11.0	20	M5 x 12.5	140	-	186	130	110	160	10	3.5	7	85	70	105	M6	2.5	9
D80	125	100	50	80	157	10	19	40	6	15.5	25	M6 x 16	158	132	212	165	130	200	12	3.5	12	100	80	120	M6	3.0	9
D90S	140	100	56	90	174	10	24	50	8	20.0	32	M8 x 19	178	140	230	165	130	200	12	3.5	12	115	95	140	M8	3.0	9
D90L	140	125	56	90	174	10	24	50	8	20.0	32	M8 x 19	178	140	230	165	130	200	12	3.5	12	115	95	140	M8	3.0	9
DF100L	160	140	63	100	205	12	28	60	8	24.0	40	M10 x 22	215	178	278	215	180	250	15	4.0	11	130	110	160	M8	3.5	14
DF112M	190	140	70	112	245	12	28	60	8	24.0	40	M10 x 22	220	190	302	215	180	250	15	4.0	12	130	110	160	M8	3.5	11
DF132S	216	140	89	132	280	12	38	80	10	33.0	56	M12 x 28	275	210	342	265	230	300	15	4.0	12	165	130	200	M10	3.5	14
DF132M	216	178	89	132	280	12	38	80	10	33.0	56	M12 x 28	275	210	342	265	230	300	15	4.0	12	165	130	200	M10	3.5	14
DF160M	254	210	108	160	325	15	42	110	12	37.0	80	M16 x 36	325	254	414	300	250	350	19	5.0	13	215	180	250	M12	4.0	13
DF160L	254	254	108	160	325	15	42	110	12	37.0	80	M16 x 36	325	254	414	300	250	350	19	5.0	13	215	180	250	M12	4.0	13
DF180M	279	241	121	180	335	15	48	110	14	42.5	80	M16 x 36	360	310	490	300	250	350	19	5.0	15	<b>NOT DEFINED BY IEC 72</b>					
DF180L	279	279	121	180	335	15	48	110	14	42.5	80	M16 x 36	360	310	490	300	250	350	19	5.0	15						
DF200L	318	305	133	200	395	19	55	110	16	49.0	100	M20 x 42	400	340	540	350	300	400	19	5.0	19.5						
DF225S	356	286	149	225	435	19	55*/ 60	110*/ 140	16*/ 18	49*/ 53	100*/ 125	M20 x 42	445	414	639	400	350	450	19	5.0	21.0						
DF225M	356	311	149	225	435	19	55*/ 60	110*/ 140	16*/ 18	49*/ 53	100*/ 125	M20 x 42	445	414	639	400	350	450	19	5.0	21.0						
DF250M	406	349	168	250	490	24	60*/ 65	140*/ 140	18*/ 18	53*/ 58	125*/ 125	M20 x 42	500	440	690	400	350	450	19	5.0	21.0						

\* 2 Pole Dimensions



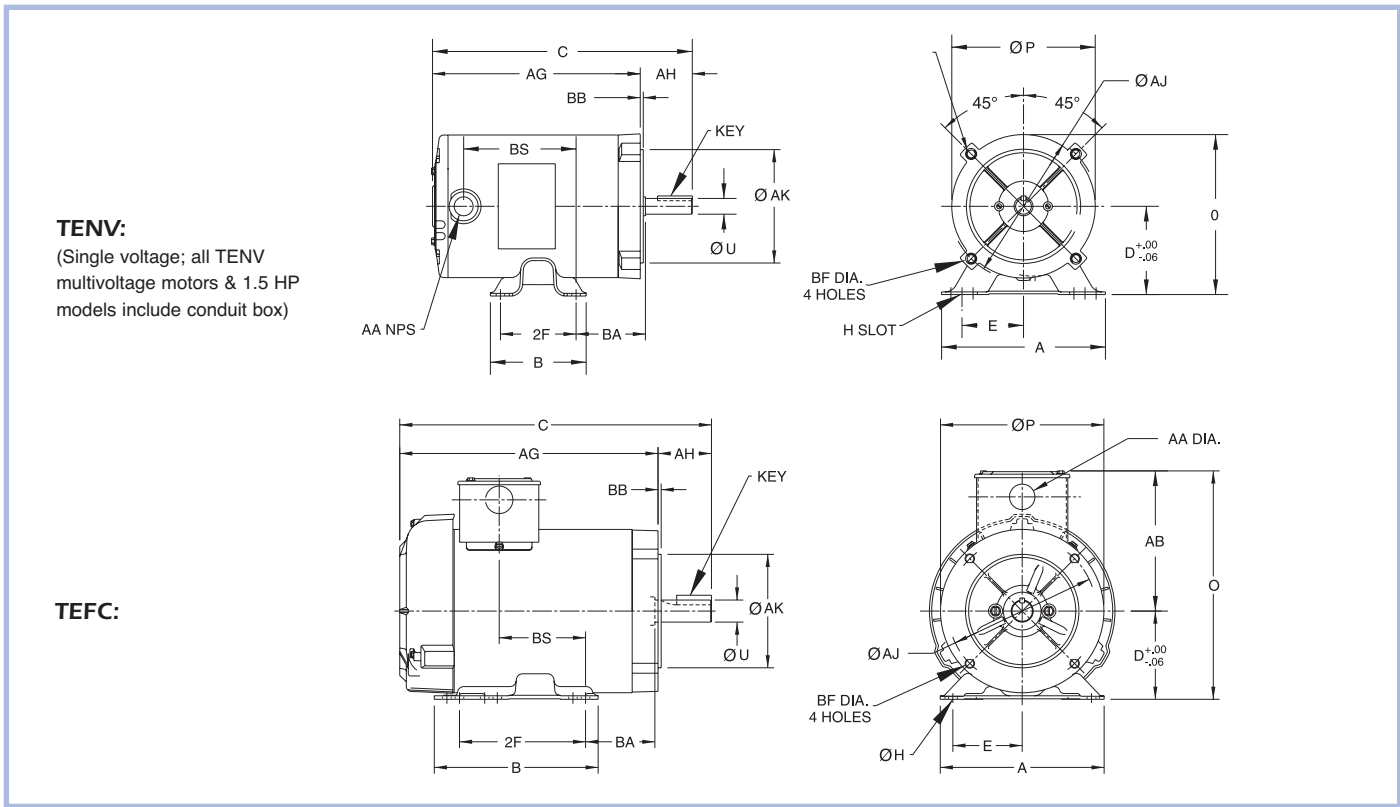
FF FLANGE B5 MOUNT



FT FACE B14 MOUNT

# Dimensions

## microMAX™ - Totally Enclosed (TENV AND TEFC) C-Face and C-Face with Rigid Base



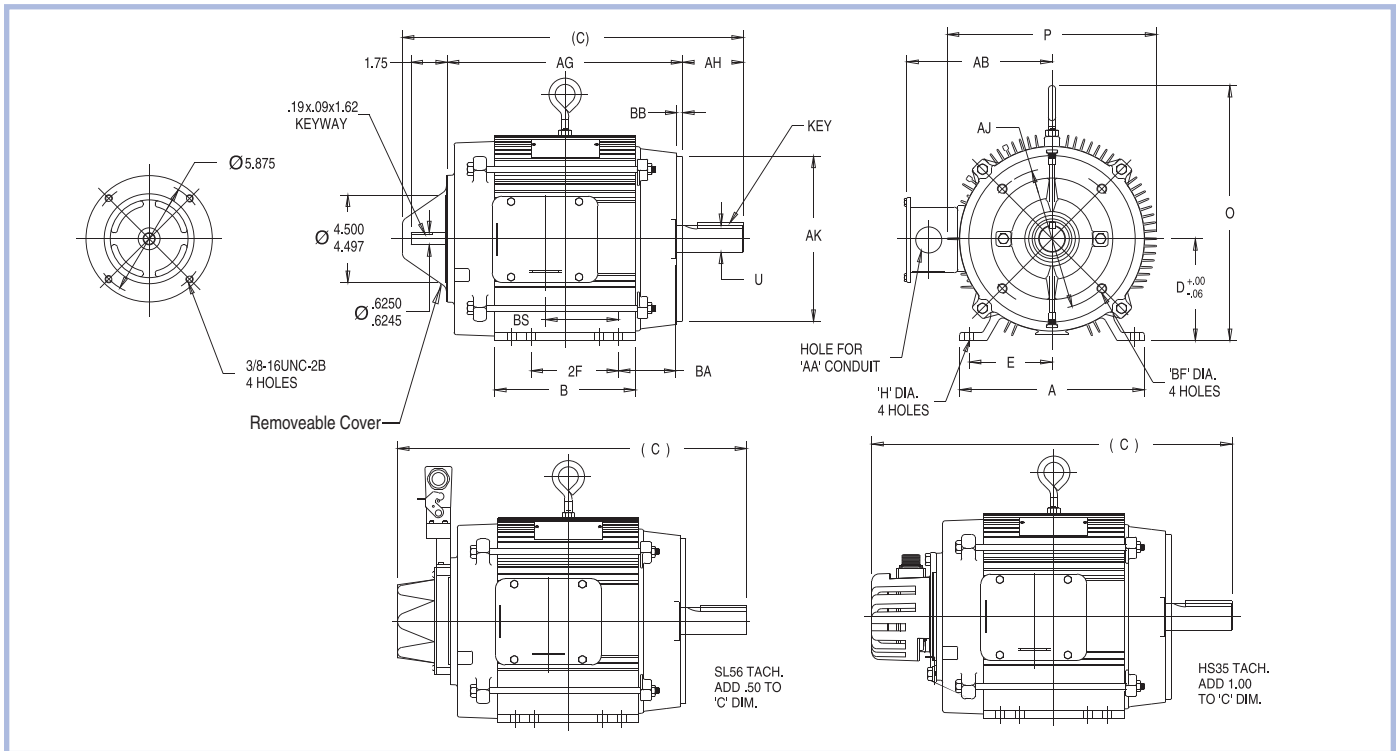
HP	ENCL	FRAME	D	E	2F	H	O MAX.	P MAX.	U	AA	AB MAX.	AG MAX.	AH	AJ	AK	BA	BB	BF	BS	KEY
1/8-1/3	TENV	56C	3.50	2.44	3.00	.34 SLOT	6.35	5.69	.625	.50	NONE	7.74	2.06	5.875	4.500	2.75	.12	3/8-16	3.96	.19x.19x1.38
1/2	TENV	56C	3.50	2.44	3.00	.34 SLOT	6.35	5.69	.625	.50	NONE	8.49	2.06	5.875	4.500	2.75	.12	3/8-16	4.71	.19x.19x1.38
3/4	TEFC	56C	3.50	2.44	3.00	.34 SLOT	7.87	5.69	.625	.88	4.44	9.13	2.06	5.875	4.500	2.75	.12	3/8-16	2.81	.19x.19x1.38
1	TEFC	56C	3.50	2.44	3.00	.34 SLOT	7.87	5.69	.625	.88	4.44	10.38	2.06	5.875	4.500	2.75	.12	3/8-16	4.06	.19x.19x1.38
1 1/2	TENV	145TC	3.50	2.75	5.00	.35	9.06	6.48	.875	1.09	5.56	7.74	2.12	5.875	4.500	2.75	.12	3/8-16	4.68	.19x.19x1.38
2	TEFC	145TC	3.50	2.75	5.00	.35	9.06	6.48	.875	1.09	5.56	7.74	2.12	5.875	4.500	2.75	.12	3/8-16	6.36	.19x.19x1.38
3	TEFC	182/145TC	4.50	3.75	4.50	.44	10.06	6.48	.875	1.09	5.56	8.49	2.12	5.875	4.500	2.75	.12	3/8-16	5.88	.19x.19x1.38
	TEFC	182TC	4.50	3.75	5.50	.44	11.65	10.55	1.125	1.09	7.19	13.07	2.62	7.235	8.500	3.50	.29	1/2-13	2.50	.25x.25x1.75
5	TEFC	184TC	4.50	3.75	5.50	.44	11.65	10.55	1.125	1.09	7.19	16.07	2.62	7.250	8.500	3.50	.27	1/2-13	3.75	.25x.25x1.75
	TEFC	213/215TC	5.25	4.25	7.00	.44	12.97	11.13	1.375	1.09	7.75	17.85	3.12	7.235	8.500	4.25	.31	1/2-13	6.93	.31x.31x2.38
10	TEFC	213/215TC	5.25	4.25	7.00	.44	12.97	11.13	1.375	1.09	7.75	19.10	3.12	7.235	8.500	4.25	.31	1/2-13	8.18	.31x.31x2.38

DIMENSIONS

All dimensions are measured in inches. For "C" dimensions, refer to the appropriate catalog page. Certified drawings are available upon request - contact Marathon Electric for details.

# Dimensions

## Black Max® Vector Duty - Totally Enclosed Non-Ventilated, C-Face with Rigid Base



FRAME	CONSTRUCTION	D	E	2F	H	O MAX.	P MAX.	U	AA	AB MAX.	AG MAX.	AH	AJ	AK	BA	BB	BF	BS	KEY
56C *	ROLLED STEEL	3.50	2.44	3.00	.34 slot	6.35	5.69	.625	.88	4.37	7.50	2.06	5.875	4.500	2.75	.12	3/8-16	2.84	.19x.19x1.38
56C	ROLLED STEEL	3.50	2.44	3.00	.35	6.71	6.48	.625	.88	5.56	10.61	2.06	5.875	4.500	2.75	.13	3/8-16	5.25	.19x.19x1.38
143TC	ROLLED STEEL	3.50	2.75	4.00	.35	6.71	6.48	.875	1.09	5.56	10.61	2.12	5.875	4.500	2.75	.13	3/8-16	4.93	.19x.19x1.38
145TC	ROLLED STEEL	3.50	2.75	5.00	.35	6.71	6.48	.875	1.09	5.56	11.61	2.12	5.875	4.500	2.75	.13	3/8-16	5.93	.19x.19x1.38
145TC	CAST IRON	3.50	2.75	5.00	.35	6.71	6.48	.875	1.09	5.56	11.61	2.12	5.875	4.500	2.75	.13	3/8-16	5.93	.19x.19x1.38
182TC	ALUMINUM	4.50	3.75	4.50	.44	9.38	9.78	1.125	1.09	7.02	13.00	2.62	7.250	8.500	3.50	.27	1/2-13	3.25	.25x.25x1.75
184TC	ALUMINUM	4.50	3.75	5.50	.44	9.38	9.78	1.125	1.09	7.02	15.00	2.62	7.250	8.500	3.50	.27	1/2-13	4.25	.25x.25x1.75
213TC	ALUMINUM	5.25	4.25	5.50	.44	10.62	10.78	1.375	1.34	7.50	14.81	3.12	7.250	8.500	4.25	.28	1/2-13	5.25	.31x.31x2.38
215TC	ALUMINUM	5.25	4.25	7.00	.44	10.62	10.78	1.375	1.34	7.50	17.81	3.12	7.250	8.500	4.25	.28	1/2-13	9.25	.31x.31x2.38
254TC	ALUMINUM	6.25	5.00	8.25	.56	11.62	10.78	1.625	1.25	8.10	20.81	3.75	7.250	8.500	4.75	.27	1/2-13	10.40	.38x.38x2.88
256TC	ALUMINUM	6.25	5.00	10.00	.56	14.07	18.41	1.625	1.25	11.25	19.06	3.75	7.250	8.500	4.75	.27	1/2-13	5.00	.38x.38x2.88
256TC	CAST IRON	6.25	5.00	10.00	.56	16.49	14.32	1.625	1.25	10.68	21.07	3.75	7.250	8.500	4.75	.27	1/2-13	4.75	.38x.38x2.88
284TC	CAST IRON	7.00	5.50	9.50	.53	15.57	21.26	1.875	2.00	13.31	20.39	4.38	9.000	10.500	4.75	.27	3/8-16	4.75	.50x.50x3.25
286TC	CAST IRON	7.00	5.50	11.00	.53	15.57	21.26	1.875	2.00	13.31	21.89	4.38	9.000	10.500	4.75	.27	3/8-16	5.50	.50x.50x3.25

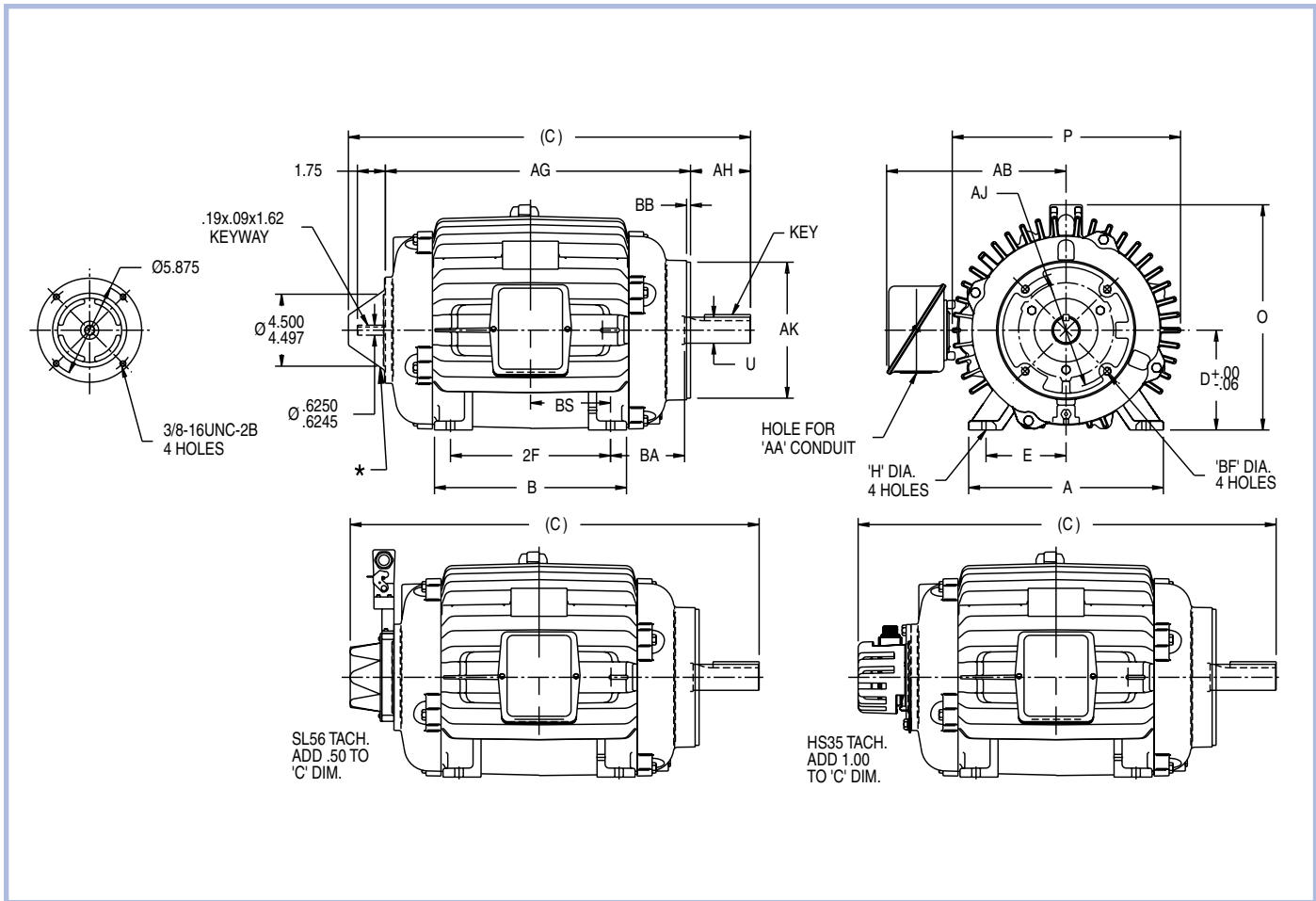
\*56C, 2000 - Series Model Numbers

All dimensions are measured in inches. For "C" dimensions, refer to the appropriate catalog page. Certified drawings are available upon request - contact Marathon Electric for details.

DIMENSIONS

# Dimensions

## Blue Max® - Totally Enclosed Non Vent (TENV), Vector Duty, C-Face with Rigid Base



\*Removable cover

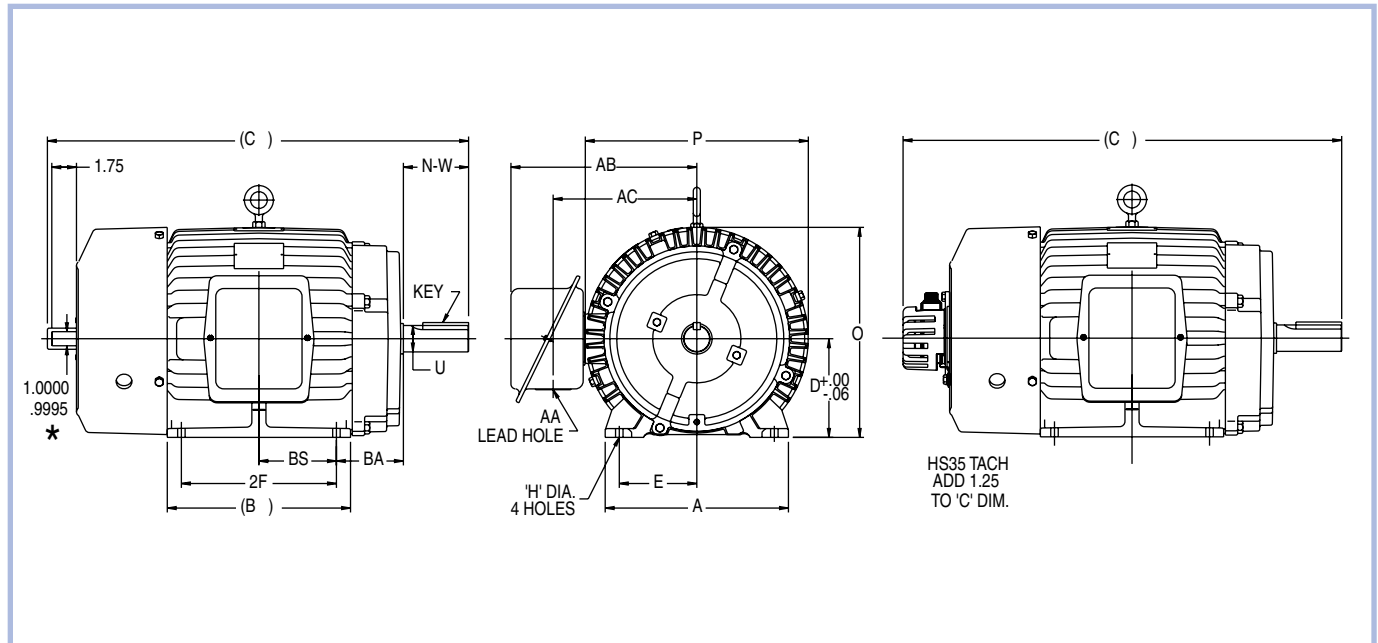
FRAME	D	E	2F	H	O MAX.	P MAX.	U	AA	AB MAX.	AG MAX.	AH	AJ	AK	BA	BB	BF	BS	KEY
143TC	3.50	2.75	4.00	.38	7.45	7.98	.875	1.09	7.04	9.25	2.12	5.875	4.500	2.62	.13	3/8-16	2.81	.19x.19x1.38
145TC	3.50	2.75	5.00	.38	7.45	7.98	.875	1.09	7.04	10.25	2.12	5.875	4.500	2.62	.13	3/8-16	3.81	.19x.19x1.38
182TC	4.50	3.75	4.50	.41	9.36	9.76	1.125	1.09	8.08	11.75	2.62	7.250	8.500	3.50	.27	1/2-13	2.25	.25x.25x1.75
184TC	4.50	3.75	5.50	.41	9.36	9.76	1.125	1.09	8.08	12.75	2.62	7.250	8.500	3.50	.27	1/2-13	2.75	.25x.25x1.75
213TC	5.25	4.25	5.50	.44	10.97	11.50	1.375	1.09	9.31	15.12	3.12	7.250	8.500	4.25	.27	1/2-13	3.50	.31x.31x2.38
215TC	5.25	4.25	7.00	.44	10.97	11.50	1.375	1.09	9.31	17.31	3.12	7.250	8.500	4.25	.27	1/2-13	6.18	.31x.31x2.38
254TC	6.25	5.00	8.25	.53	14.09	14.27	1.625	1.25	9.83	19.06	3.75	7.250	8.500	4.75	.27	1/2-13	6.31	.38x.38x2.88
256TC	6.25	5.00	10.00	.53	14.09	14.27	1.625	1.25	10.68	21.07	3.75	7.250	8.500	4.75	.27	1/2-13	4.75	.38x.38x2.88

DIMENSIONS

All dimensions are measured in inches. For "C" dimensions, refer to the appropriate catalog page. Certified drawings are available upon request - contact Marathon Electric for details.

# Dimensions

## Blue Max® - Totally Enclosed Fan Cooled (TEFC) Vector Duty, Rigid Base



\*Removable cover not shown

FRAME	D	E	2F	H	O (MAX)	P (MAX)	U	AA	AB (MAX)	AC (MAX)	BA	BS	N-W	KEY
213T	5.25	4.25	5.50	.44	11.30	11.50	1.38	1.09	9.31	7.69	4.25	2.75	3.38	.31x.31x2.38
215T	5.25	4.25	7.00	.44	11.30	11.50	1.38	1.09	9.31	7.69	4.25	3.50	3.38	.31x.31x2.38
254T	6.25	5.00	8.25	.53	14.09	14.30	1.62	1.25	10.96	9.32	4.25	4.12	4.00	.38x.38x2.88
256T	6.25	5.00	10.00	.53	14.09	14.30	1.62	1.25	10.96	9.32	4.25	5.00	4.00	.38x.38x2.88
284T	7.00	5.50	9.50	.53	14.90	15.88	1.88	1.50	12.31	9.31	4.75	4.75	4.62	.50x.50x3.25
284TS	7.00	5.50	9.50	.53	14.90	15.88	1.62	1.50	12.31	9.31	4.75	4.75	3.25	.50x.38x1.88
286T	7.00	5.50	11.00	.53	14.90	15.88	1.88	1.50	12.31	9.31	4.75	5.50	4.62	.50x.50x3.25
286TS	7.00	5.50	11.00	.53	14.90	15.88	1.62	1.50	12.31	9.31	4.75	5.50	3.25	.38x.38x1.88
324T	8.00	6.25	10.50	.66	16.00	15.88	2.12	2.00	13.69	10.69	5.25	5.25	5.25	.50x.50x3.88
324TS	8.00	6.25	10.50	.66	16.00	15.88	1.88	2.00	13.69	10.69	5.25	5.25	3.75	.50x.50x2.00
326T	8.00	6.25	12.00	.66	16.00	15.88	2.12	2.00	13.69	10.69	5.25	6.00	5.25	.50x.50x3.88
326TS	8.00	6.25	12.00	.66	16.00	15.88	1.88	2.00	13.69	10.69	5.25	6.00	3.75	.50x.50x2.00
364T	9.00	7.00	11.25	.66	19.00	20.00	2.38	3.62	17.85	14.56	5.88	5.62	5.88	.62x.62x4.25
364TS	9.00	7.00	11.25	.66	19.00	20.00	1.88	3.62	17.85	14.56	5.88	5.62	3.75	.50x.50x2.00
365T	9.00	7.00	12.25	.66	19.00	20.00	2.38	3.62	17.85	14.56	5.88	6.12	5.88	.62x.62x4.25
365TS	9.00	7.00	12.25	.66	19.00	20.00	1.88	3.62	17.85	14.56	5.88	6.12	3.75	.50x.50x2.00
404T	10.00	8.00	12.25	.81	20.88	21.75	2.88	3.62	18.75	14.75	6.62	6.12	7.25	.75x.75x5.62
404TS	10.00	8.00	12.25	.81	20.88	21.75	2.12	3.62	18.75	14.75	6.62	6.12	4.25	.50x.50x2.75
405T	10.00	8.00	13.75	.81	20.88	21.75	2.88	3.62	19.75	16.25	6.62	6.88	7.25	.75x.75x5.62
405TS	10.00	8.00	13.75	.81	20.88	21.75	2.12	3.62	19.75	16.25	6.62	6.88	4.25	.50x.50x2.75
444T	11.00	9.00	14.50	.81	24.19	26.31	3.38	3.62	20.94	17.38	7.50	7.25	8.50	.88x.88x6.88
444TS	11.00	9.00	14.50	.81	24.19	26.31	2.38	3.62	20.94	17.38	7.50	7.25	4.75	.62x.62x3.00
445T	11.00	9.00	16.50	.81	24.19	26.31	3.38	3.62	20.94	17.38	7.50	8.25	8.50	.88x.88x6.88
445TS	11.00	9.00	16.50	.81	24.19	26.31	2.38	3.62	20.94	17.38	7.50	8.25	4.75	.62x.62x3.00
449T	11.00	9.00	25.00	.81	24.22	26.31	3.38	4.62	25.90	19.31	7.50	1.78	8.50	.88x.88x6.88
449TS	11.00	9.00	25.00	.81	24.22	26.31	2.38	4.62	25.90	19.31	7.50	1.78	4.75	.62x.62x3.00

Flange dimensions specific to C-Face footed motors on back cover

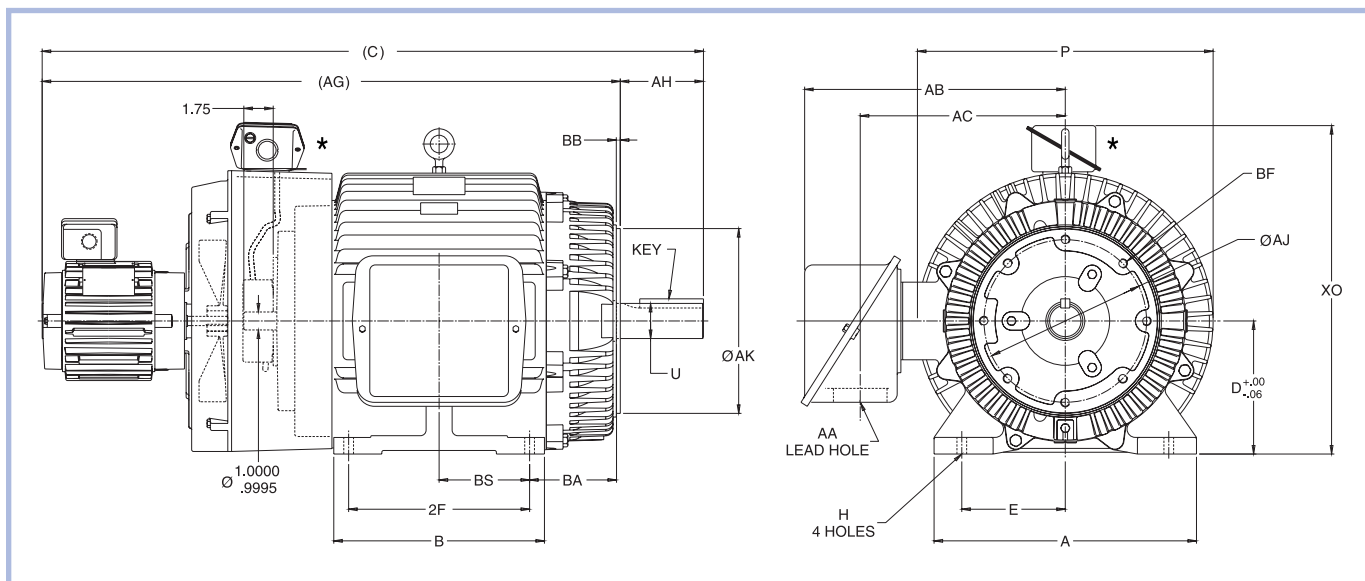
All dimensions are measured in inches. For "C" dimensions, refer to the appropriate catalog page. Certified drawings are available upon request - contact Marathon Electric for details.



# Dimensions

## Blue Max® 2000 Vector Duty-

### Totally Enclosed Blower Cooled (TEBC), Vector Duty, Rigid Base



\*Shown with optional encoder conduit box

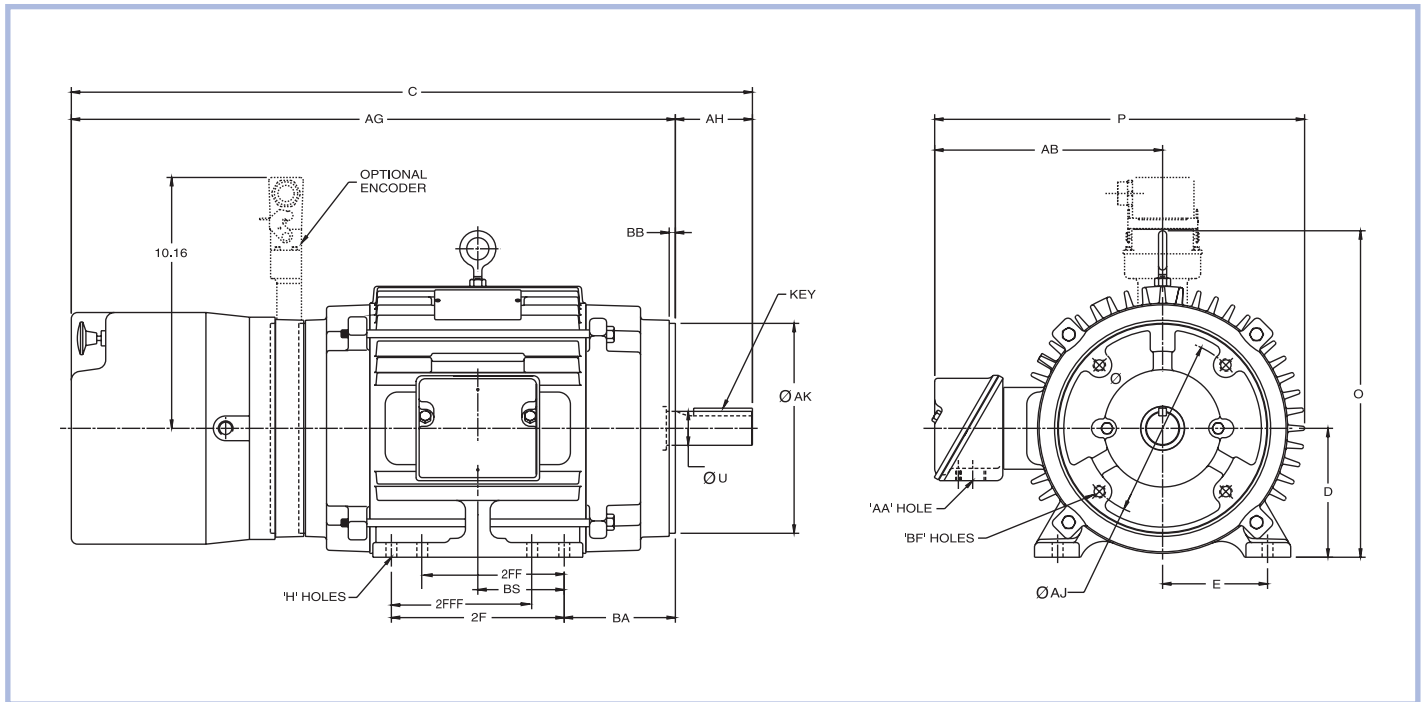
FRAME	D	E	2F	H	XO (MAX)	P (MAX)	U	AA	AB (MAX)	AC (MAX)	AG (MAX)	AH	AJ	AK	BA	BB	BF	BS	KEY
213TC	5.25	4.25	5.50	.44	13.35	11.50	1.38	1.09	9.45	7.69	26.85	3.12	7.250	8.500	3.50	.25	1/2-13	2.75	.31x.31x2.38
215TC	5.25	4.25	7.00	.44	13.35	11.50	1.38	1.09	9.45	7.69	26.35	3.12	7.250	8.500	3.50	.25	1/2-13	3.50	.31x.31x2.38
254TC	6.25	5.00	8.25	.53	16.31	14.27	1.62	1.25	11.13	9.32	30.83	3.75	7.250	8.500	4.25	.25	1/2-13	4.12	.38x.38x2.88
256TC	6.25	5.00	10.00	.53	16.31	14.27	1.62	1.25	11.13	9.32	30.83	3.75	7.250	8.500	4.25	.25	1/2-13	5.00	.38x.38x2.88
284TC	7.00	5.50	9.50	.53	17.88	15.88	1.88	1.50	13.18	9.31	35.22	4.38	9.000	10.500	4.75	.25	1/2-13	4.75	.50x.50x3.25
284TCS	7.00	5.50	9.50	.53	17.88	15.88	1.62	1.50	13.18	9.31	36.60	3.00	9.000	10.500	4.75	.25	1/2-13	4.75	.38x.38x1.88
286TC	7.00	5.50	11.00	.53	17.88	15.88	1.88	1.50	13.18	9.31	35.22	4.38	9.000	10.500	4.75	.25	1/2-13	5.50	.50x.50x3.25
286TCS	7.00	5.50	11.00	.53	17.88	15.88	1.62	1.50	13.18	9.31	36.60	3.00	9.000	10.500	4.75	.25	1/2-13	5.50	.38x.38x1.88
324TC	8.00	6.25	10.50	.66	20.25	18.25	2.12	2.00	14.81	10.69	34.84	5.00	11.000	12.500	5.25	.25	5/8-11	5.25	.50x.50x3.88
324TCS	8.00	6.25	10.50	.66	20.25	18.25	1.88	2.00	14.81	10.69	36.34	3.50	11.000	12.500	5.25	.25	5/8-11	5.25	.50x.50x2.00
326TC	8.00	6.25	12.00	.66	20.25	18.25	2.12	2.00	14.81	10.69	36.34	5.00	11.000	12.500	5.25	.25	5/8-11	6.00	.50x.50x3.88
326TCS	8.00	6.25	12.00	.66	20.25	18.25	1.88	2.00	14.81	10.69	37.84	3.50	11.000	12.500	5.25	.25	5/8-11	6.00	.50x.50x2.00
364TC	9.00	7.00	11.25	.66	22.62	20.00	2.38	3.62	17.85	14.56	36.22	5.62	11.000	12.500	5.88	.25	5/8-11	5.62	.62x.62x4.25
364TCS	9.00	7.00	11.25	.66	22.62	20.00	1.88	3.62	17.85	14.56	38.34	3.50	11.000	12.500	5.88	.25	5/8-11	5.62	.50x.50x2.00
365TC	9.00	7.00	12.25	.66	22.62	20.00	2.38	3.62	17.85	14.56	37.22	5.62	11.000	12.500	5.88	.25	5/8-11	6.12	.62x.62x4.25
365TCS	9.00	7.00	12.25	.66	22.62	20.00	1.88	3.62	17.85	14.56	39.34	3.50	11.000	12.500	5.88	.25	5/8-11	6.12	.50x.50x2.00
404TC	10.00	8.00	12.25	.81	24.06	21.75	2.88	3.62	18.75	14.75	38.89	7.00	11.000	12.500	6.62	.25	5/8-11	6.12	.75x.75x5.62
404TCS	10.00	8.00	12.25	.81	24.06	21.75	2.12	3.62	18.75	14.75	41.89	4.00	11.000	12.500	6.62	.25	5/8-11	6.12	.50x.50x2.75
405TC	10.00	8.00	13.75	.81	24.06	21.75	2.88	3.62	18.75	16.25	40.39	7.00	11.000	12.500	6.62	.25	5/8-11	6.88	.75x.75x5.62
405TCS	10.00	8.00	13.75	.81	24.06	21.75	2.12	3.62	18.75	16.25	43.39	4.00	11.000	12.500	6.62	.25	5/8-11	6.88	.50x.50x2.75
444TC	11.00	9.00	14.50	.81	26.95	26.31	3.38	3.62	20.94	17.38	45.53	8.25	14.000	16.000	7.50	.25	5/8-11	7.25	.88x.88x6.88
444TCS	11.00	9.00	14.50	.81	26.95	26.31	2.38	3.62	20.94	17.38	49.28	4.50	14.000	16.000	7.50	.25	5/8-11	7.25	.62x.62x3.00
445TC	11.00	9.00	16.50	.81	26.95	26.31	3.38	3.62	20.94	17.38	47.53	8.25	14.000	16.000	7.50	.25	5/8-11	8.25	.88x.88x6.88
445TCS	11.00	9.00	16.50	.81	26.95	26.31	2.38	3.62	20.94	17.38	51.28	4.50	14.000	16.000	7.50	.25	5/8-11	8.25	.62x.62x3.00
449TC	11.00	9.00	25.00	.81	27.03	26.31	3.38	4.62	25.90	19.31	55.07	8.25	14.000	16.000	7.50	.25	5/8-11	1.78	.88x.88x6.88
449TCS	11.00	9.00	25.00	.81	27.03	26.31	2.38	4.62	25.90	19.31	58.82	4.50	14.000	16.000	7.50	.25	5/8-11	1.78	.62x.62x3.00

All dimensions are measured in inches. For "C" dimensions, refer to the appropriate catalog page. Certified drawings are available upon request - contact Marathon Electric for details.

# Dimensions

## Blue Max® 2000 Vector Duty Totally Enclosed Non-Ventilated Brakemotors

### C-Face with Rigid Base



FRAME	D	E	2F	2FF	2FFF	H	O MAX.	P MAX.	U	AA	AB MAX.	AG MAX.	AH	AJ	AK	BA	BB	BF	BS	KEY
143TC	3.50	2.75	4.00	-	-	.44	7.45	10.96	.875	3/4	6.91	14.88	2.12	5.875	4.500	2.62	.13	3/8-16	2.81	.19x.19x1.38
145TC	3.50	2.75	5.00	-	-	.44	7.45	10.96	.875	3/4	6.91	15.88	2.12	5.875	4.500	2.62	.13	3/8-16	3.81	.19x.19x1.38
182TC	4.50	3.75	4.50	-	-	.44	11.61	12.89	1.125	3/4	8.01	17.05	2.62	7.250	8.500	3.50	.27	1/2-13	2.25	.25x.25x1.75
184TC	4.50	3.75	5.50	-	-	.44	11.70	12.91	1.125	3/4	8.00	22.96	2.62	7.250	8.500	3.50	.27	1/2-13	3.38	.25x.25x1.75
213TC	5.25	4.25	7.00	5.50	5.50	.44	13.22	15.05	1.375	3/4	9.30	24.46	3.12	7.250	8.500	4.25	.27	1/2-13	3.50	.31x.31x2.38
215TC	5.25	4.25	8.25	7.00	7.00	.44	13.22	15.05	1.375	3/4	9.30	25.71	3.12	7.250	8.500	4.25	.27	1/2-13	4.75	.31x.31x2.38
254TC	6.25	5.00	10.00	-	-	.56	14.09	19.15	1.625	1 1/4	10.87	29.53	3.75	7.250	8.500	4.12	.27	1/2-13	4.12	.38x.38x2.88
256TC	6.25	5.00	10.00	10.00	10.00	.56	16.49	18.81	1.625	1 1/4	11.65	31.53	3.75	7.250	8.500	4.75	.27	1/2-13	4.75	.38x.38x2.88

All dimensions are measured in inches. For "C" dimensions, refer to the appropriate catalog page. Certified drawings are available upon request - contact Marathon Electric for details.

### Brake Data - Stock Motors

Nominal Static Torque	Coil Size	Amperage				Stearns Series	Optional Space Heater	
		Inrush	115V	230V	460V		Voltage	Watts
1.5 3	4	Inrush	3.6	1.8	0.9	56,000	115V	30
		Holding	0.3	0.2	0.08			
6 10	K4	Inrush	4.3	2.2	1.1	56,000	230V	30
		Holding	0.3	0.2	0.08			
15 25 50	6	Inrush	13	6.5	3.2	87,000	115V	30
		Holding	0.6	0.3	0.2			
35 75 105	8	Inrush	17.6	8.8	4.2	87,000	230V	30
		Holding	1.2	0.6	0.3			

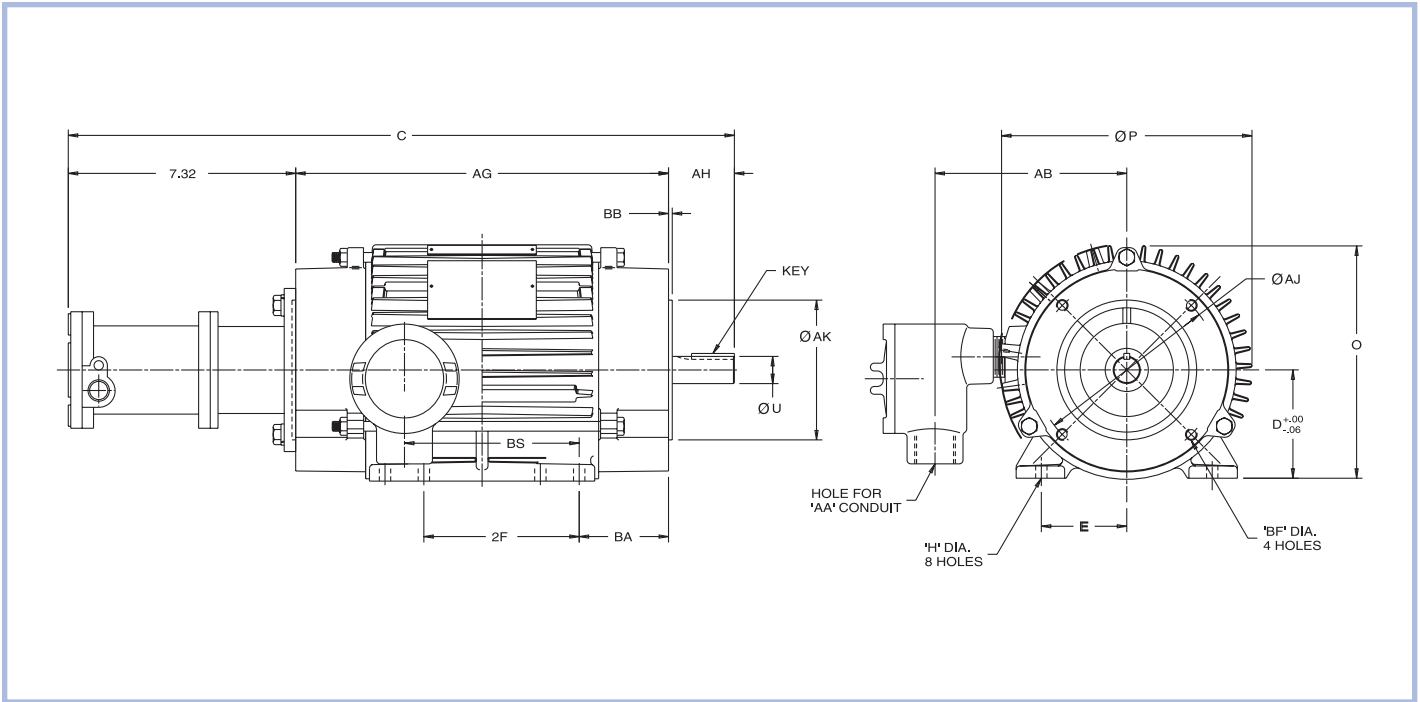
See Brake selection and pricing page for "Buildup" Brakemotors

# Dimensions

## Blue Max® 2000 Vector Duty

### Explosion Proof, Class I Groups C & D, Class II Groups F & G

Totally Enclosed Non-Ventilated, C-Face with Rigid Base and Encoder



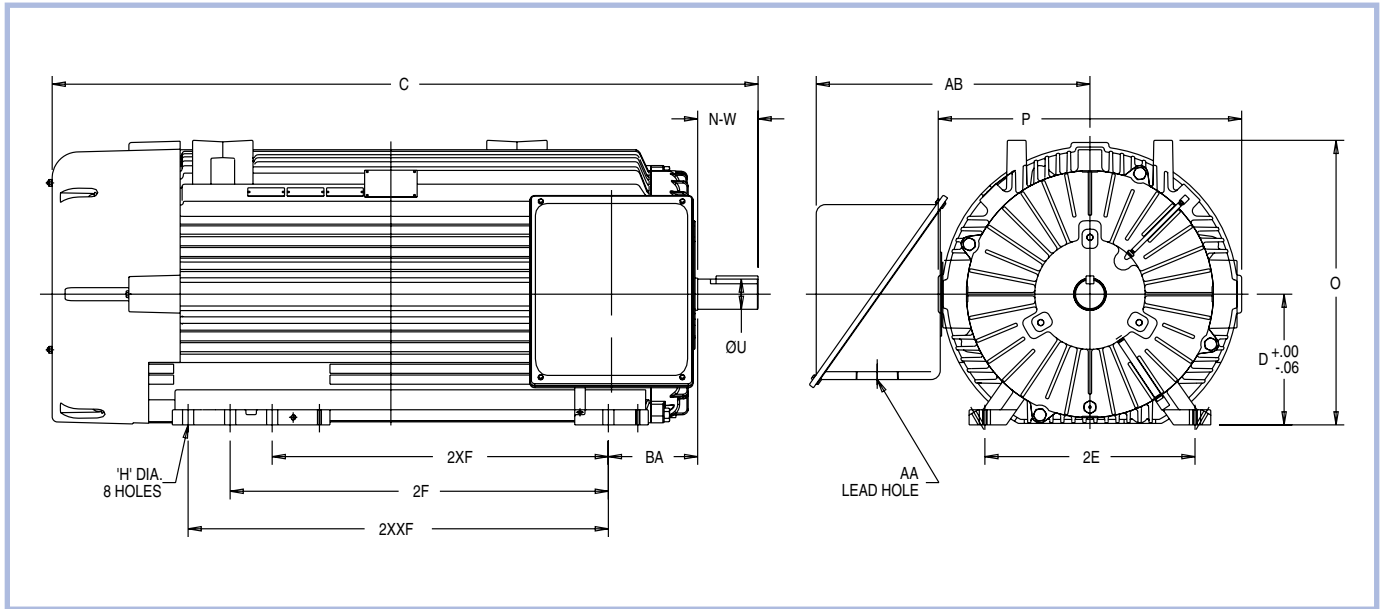
FRAME	D	E	2F	H	O MAX.	P MAX.	U	AA	AB MAX.	AG MAX.	AH	AJ	AK	BA	BB	BF	BS	KEY
143TC	3.50	2.75	4.00	.34	7.48	8.06	.875	.50	8.25	12.00	2.12	5.875	4.500	2.88	.13	3/8 - 16	5.62	.19 X .19 X 1.39
145TC	3.50	2.75	5.00	.34	7.48	8.06	.875	.50	8.25	12.00	2.12	5.875	4.500	2.88	.13	3/8 - 16	5.62	.19 X .19 X 1.39
182TC	4.50	3.75	4.50	.41	11.61	9.76	1.125	.75	9.34	14.94	2.62	7.250	8.500	3.50	.27	1/2 - 13	2.75	.25 X .25 X 1.75
213TC	5.25	4.25	5.50	.41	13.62	11.5	1.375	.75	10.94	16.98	3.12	7.250	8.500	4.25	.28	1/2 - 13	4.12	.31 X .31 X 2.38
254TC	6.25	5.00	8.25	.53	14.09	14.27	1.625	1.25	13.67	18.25	3.75	7.250	8.500	4.75	.28	1/2 - 13	4.12	.38 X .38 X 2.88
284TC	7.00	5.50	9.50	.53	15.57	15.89	1.8275	1.50	16.44	21.46	4.38	9.000	10.500	4.75	.27	1/2 - 13	4.75	.50 X .50 X 3.25

All dimensions are measured in inches. For "C" dimensions, refer to the appropriate catalog page. Certified drawings are available upon request - contact Marathon Electric for details.

DIMENSIONS

# Dimensions

## 5000 Frame Motor



FRAME	H	BA	2XF	2F	2XXF	N-W	U	AB (MAX.)	P (MAX.)	O (MAX.)	D	2E	AA
5010LS	1.062 1.077	8.50	32.00	—	—	5.75	2.875 2.874	26.05	28.88	27.08	12.470 12.410	20.00	4.00 NPT
5011LS	1.062 1.077	8.50	—	36.00	—	5.75	2.875 2.874	26.05	28.88	27.08	12.470 12.410	20.00	4.00 NPT
5012LS	1.062 1.077	8.50	—	—	40.00	5.75	2.875 2.874	26.05	28.88	27.08	12.470 12.410	20.00	4.00 NPT
5013LS	1.062 1.077	8.50	45.00	—	—	5.75	2.875 2.874	26.05	28.88	27.08	12.470 12.410	20.00	4.00 NPT
5010LX	1.062 1.077	8.50	32.00	—	—	12.00	3.875 3.874	26.05	28.88	27.08	12.470 12.410	20.00	4.00 NPT
5011LX	1.062 1.077	8.50	—	36.00	—	12.00	3.875 3.874	26.05	28.88	27.08	12.470 12.410	20.00	4.00 NPT
5012LX	1.062 1.077	8.50	—	—	40.00	12.00	3.875 3.874	26.05	28.88	27.08	12.470 12.410	20.00	4.00 NPT
5013LX	1.062 1.077	8.50	45.00	—	—	12.00	3.875 3.874	26.05	28.88	27.08	12.470 12.410	20.00	4.00 NPT
5010L	1.062 1.077	8.50	32.00	—	—	9.50	4.000 3.999	26.05	28.88	27.08	12.470 12.410	20.00	4.00 NPT
5011L	1.062 1.077	8.50	—	36.00	—	9.50	4.000 3.999	26.05	28.88	27.08	12.470 12.410	20.00	4.00 NPT
5012L	1.062 1.077	8.50	—	—	40.00	9.50	4.000 3.999	26.05	28.88	27.08	12.470 12.410	20.00	4.00 NPT
5013L	1.062 1.077	8.50	45.00	—	—	9.50	4.000 3.999	26.05	28.88	27.08	12.470 12.410	20.00	4.00 NPT
5010S	1.062 1.077	8.50	32.00	—	—	5.75	2.625 2.624	26.05	28.88	27.08	12.470 12.410	20.00	4.00 NPT
5011S	1.062 1.077	8.50	—	36.00	—	5.75	2.625 2.624	26.05	28.88	27.08	12.470 12.410	20.00	4.00 NPT
5012S	1.062 1.077	8.50	—	—	40.00	5.75	2.625 2.624	26.05	28.88	27.08	12.470 12.410	20.00	4.00 NPT
5013S	1.062 1.077	8.50	45.00	—	—	5.75	2.625 2.624	26.05	28.88	27.08	12.470 12.410	20.00	4.00 NPT

All dimensions are measured in inches. For "C" dimensions, refer to the appropriate catalog page. Certified drawings are available upon request - contact Marathon Electric for details.

# Index

## Catalog Number/Model Number

CAT. NO.	MODEL NO.	PAGE NO.	LIST PRICE	MULT. SYMB.	CAT. NO.	MODEL NO.	PAGE NO.	LIST PRICE	MULT. SYMB.	CAT. NO.	MODEL NO.	PAGE NO.	LIST PRICE	MULT. SYMB.
143A *	KIT 143SB	244	\$80	S4	A214 *	KIT 320TCFS	234	\$473	S4	A378 *	KIT 370-15	239	\$17	S4
145A *	KIT 145SB	244	\$80	S4	A216 *	KIT 360TCDS	59, 233	\$601	S4	A379 *	KIT 370-17.5	239	\$17	S4
1814T*	KIT 180U	244	\$131	E3	A217 *	KIT 360TCFS	234	\$601	S4	A380 *	KIT 370-20	239	\$19	S4
182A *	KIT 182SB	244	\$89	S4	A219 *	KIT 360TSCDS	233	\$601	S4	A381 *	KIT 370-25	239	\$21	S4
184A *	KIT 184SB	244	\$89	S4	A222 *	KIT 400TCDS	59, 233	\$657	S4	A382 *	KIT 370-30	239	\$24	S4
2118T*	KIT 210U	244	\$166	E3	A223 *	KIT 400TCFS	234	\$657	S4	A395 *	KIT 360TCFSR	234	\$601	S4
213A *	KIT 213SB	244	\$107	S4	A225 *	KIT 400TSCDS	59, 233	\$657	S4	A396 *	KIT 360TSCFSR	234	\$601	S4
215A *	KIT 215SB	244	\$107	S4	A226 *	KIT 400TSCFCS	234	\$657	S4	A435 *	KIT 56CDR-1	233	\$33	S4
254B2*	KIT 254SB	244	\$172	S4	A228 *	KIT 440TCDS	59, 233	\$1,257	S4	A436 *	KIT 140TCDR-1	59, 233	\$62	S4
256B2*	KIT 256SB	244	\$172	S4	A229 *	KIT 440TCFS	234	\$1,257	S4	A437 *	KIT 56CFR-1	234	\$33	S4
25U21T*	KIT 250U	244	\$166	E3	A231 *	KIT 440TSCDS	59, 233	\$1,257	S4	A438 *	KIT 140TCFR-1	234	\$62	S4
284B2*	KIT 284SB	244	\$204	S4	A232 *	KIT 440TSCFCS	234	\$1,257	S4	A445 *	KIT 440-7.5	239	\$15	S4
286B2*	KIT 286SB	244	\$204	S4	A234 *	KIT 234	52, 241	\$21	S4	A446 *	KIT 440-10	239	\$17	S4
28U25T*	KIT 280U	244	\$166	E3	A239 *	KIT 250TCFPA	234	\$147	S4	A561 *	KIT 631475	55, 236	\$43	S4
324B2*	KIT 324SB	244	\$269	S4	A240 *	KIT 240	238	\$36	S4	A562 *	KIT 711485	55, 236	\$47	S4
326B2*	KIT 326SB	244	\$269	S4	A241 *	KIT 241	238	\$54	S4	A563 *	KIT 8014100	55, 236	\$53	S4
32U28T*	KIT 320U	244	\$196	E3	A242 *	KIT 242	238	\$44	S4	A564 *	KIT 9014115	55, 236	\$58	S4
364B2*	KIT 364SB	244	\$352	S4	A243 *	KIT 243	239	\$14	S4	A565 *	KIT 10014130	55, 236	\$77	S4
365B2*	KIT 365SB	244	\$352	S4	A244 *	KIT 244	239	\$17	S4	A566 *	KIT 11214130	55, 236	\$84	S4
36U32T*	KIT 360U	244	\$232	E3	A245 *	KIT 245	239	\$19	S4	A567 *	KIT 13214165	55, 236	\$112	S4
404B2*	KIT 404SB	244	\$514	S4	A247 *	KIT 247	241	\$7	S4	A568 *	KIT 16014215	55, 236	\$219	S4
405B2*	KIT 405SB	244	\$514	S4	A248 *	KIT 248	241	\$7	S4	A569 *	KIT 635115	55, 236	\$47	S4
40U36T*	KIT 400U	244	\$297	E3	A249 *	KIT 249	238	\$17	S4	A570 *	KIT 715130	55, 236	\$55	S4
444B2*	KIT 444SB	244	\$710	S4	A250 *	KIT 250	238	\$17	S4	A571 *	KIT 805165	55, 236	\$60	S4
445B2*	KIT 445SB	244	\$710	S4	A251 *	KIT 251	238	\$17	S4	A572 *	KIT 905165	55, 236	\$63	S4
447B2*	KIT 447SB	244	\$1,064	S4	A252 *	KIT 252	238	\$17	S4	A573 *	KIT 1005215	55, 236	\$84	S4
449B2*	KIT 449SB	244	\$1,064	S4	A253 *	KIT 253	238	\$17	S4	A574 *	KIT 1125215	55, 236	\$90	S4
44U40T*	KIT 440U	244	\$297	E3	A254 *	KIT 254	238	\$17	S4	A575 *	KIT 1325265	55, 236	\$120	S4
A100 *	KIT 100	239	\$7	S4	A256 *	KIT 256	240	\$132	S4	A576 *	KIT 1605300	55, 236	\$227	S4
A103 *	KIT 103	243	\$312	S4	A257 *	KIT 257	240	\$42	S4	A577 *	KIT 1805300	55, 236	\$281	S4
A104 *	KIT 104	238	\$7	S4	A258 *	KIT 258	240	\$55	S4	A578 *	KIT 2005350	55, 236	\$367	S4
A105 *	KIT 105	240	\$7	S4	A259 *	KIT 259	239	\$22	S4	A579 *	KIT 2255400	55, 236	\$470	S4
A106 *	KIT 106	240	\$10	S4	A261 *	KIT 261	240	\$19	S4	A585 *	KIT 175900	55, 236	\$39	S4
A107 *	KIT 107-637	237	\$11	S4	A262 *	KIT 145TCTN-841	235, 235	\$130	S4	A586 *	KIT 175901	55, 236	\$45	S4
A109 *	KIT 109	243	\$49	S4	A277 *	KIT 277	239	\$22	S4	A587 *	KIT 175902	55, 236	\$50	S4
A110 *	KIT 110	238	\$10	S4	A278 *	KIT 278	239	\$12	S4	A588 *	KIT 175903	55, 236	\$53	S4
A111 *	KIT 111	239	\$15	S4	A279 *	KIT 279	238	\$19	S4	A600 *	KIT 175181	59, 233	\$62	S4
A112 *	KIT 112	238	\$7	S4	A280 *	KIT 280	238	\$19	S4	A601 *	KIT 250TCFP	234	\$147	S4
A113 *	KIT 113	238	\$7	S4	A281 *	KIT 281	238	\$42	S4	A602 *	KIT 175066	59, 233	\$127	S4
A114 *	KIT 114	238	\$14	S4	A282 *	KIT 282	238	\$37	S4	A603 *	KIT 143TCFN	234	\$62	S4
A116 *	KIT 116	243	\$450	S4	A283 *	KIT 283	238	\$37	S4	A606 *	KIT 210TCDW	233	\$128	S4
A1209*	KIT 250TCFL-R	234	\$147	E3	A284 *	KIT 250TCFNA	234	\$147	S4	A609 *	KIT 210TCFW	234	\$128	S4
A157 *	KIT VRT87BRK	237	\$375	E3	A287 *	KIT 280TCDC	233	\$273	S4	A610 *	KIT 280TCDP	233	\$273	S4
A181 *	KIT 143TCTN-841	235	\$130	S4	A293 *	KIT 440TSCDN	233	\$1,257	S4	A611 *	KIT 280TCFP	234	\$273	S4
A182 *	KIT 180TCFS-841	235	\$184	S4	A297 *	KIT 3BRK3A	237	\$355	S4	A612 *	KIT 250TCDX	233	\$147	S4
A183 *	KIT 210TCFS-841	235	\$248	S4	A298 *	KIT 6BRK3A	237	\$419	S4	A613 *	KIT 320TCDP	233	\$456	S4
A184 *	KIT 250TCFNA-841	235	\$284	S4	A299 *	KIT 10BRK3A	237	\$518	S4	A614 *	KIT 320TCFP	234	\$473	S4
A185 *	KIT 280TCFN-841	235	\$532	S4	A301 *	KIT 3BRK3	237	\$355	S4	A615 *	KIT 280TCFN	234	\$273	S4
A186 *	KIT 280TCFNA-841	235	\$532	S4	A302 *	KIT 6BRK3	237	\$419	S4	A617 *	KIT 280TCFPA	234	\$273	S4
A187 *	KIT 320TCFS-841	235	\$873	S4	A303 *	KIT 10BRK	237	\$518	S4	A618 *	KIT 280TCFNA	234	\$273	S4
A188 *	KIT 360TCFSR-841	235	\$1,093	S4	A306 *	KIT 3BRK1	237	\$355	S4	A619 *	KIT 320TCFPA	234	\$473	S4
A189 *	KIT 360TSCFSR-841	235	\$1,093	S4	A307 *	KIT 6BRK1	237	\$419	S4	A620 *	KIT 440TCFN	234	\$1,257	S4
A190 *	KIT 400TCFS-841	235	\$1,200	S4	A308 *	KIT 308	238	\$37	S4	A621 *	KIT 440TSCFN	234	\$1,257	S4
A192 *	KIT 440TCFS-841	235	\$1,669	S4	A311 *	KIT 311	241	\$28	E3	A622 *	KIT 175067	59, 233	\$146	S4
A193 *	KIT 440TSCFS-841	235	\$1,669	S4	A312 *	KIT BM6BRK	237	\$638	S4	A623 *	KIT 449TCFS	234	\$1,257	S4
A194 *	KIT 440TCFN-841	235	\$1,669	S4	A313 *	KIT BM10BRK	237	\$775	S4	A624 *	KIT 449TSCFS-1	234	\$1,257	S4
A195 *	KIT 440TSCFN-841	235	\$1,669	S4	A315 *	KIT BM6BRK575	237	\$638	S4	A625 *	KIT 449TSCFS-2	234	\$1,257	S4
A197 *	KIT 197	52, 241	\$24	S4	A316 *	KIT BM10BRK575	237	\$775	S4	A626 *	KIT 175058	59, 233	\$272	S4
A198 *	KIT 198	241	\$28	S4	A317 *	KIT BM6BRK115	237	\$638	S4	A627 *	KIT 175059	59, 233	\$455	S4
A199 *	KIT 199	52, 241	\$28	S4	A318 *	KIT BM10BRK115	237	\$775	S4	A628 *	KIT 175060	59, 233	\$600	S4
A201 *	KIT 201	241	\$24	S4	A371 *	KIT 370-3	239	\$8	S4	A630 *	KIT 180TDFR	236	\$143	S4
A202 *	KIT 202	241	\$28	S4	A372 *	KIT 370-4	239	\$8	S4	A631 *	KIT 280TDFP	236	\$639	S4
A204 *	KIT 210TCFL	234	\$128	S4	A373 *	KIT 370-5	239	\$8	S4	A632 *	KIT 320TDFP	236	\$782	S4
A206 *	KIT 210TCFS	234	\$128	S4	A375 *	KIT 370-7.5	239	\$10	S4	A634 *	KIT 400TDFC	236	\$1,066	S4
A209 *	KIT 250TCFL	234	\$147	S4	A376 *	KIT 370-10	239	\$10	S4	A637 *	KIT 360TDFC	236	\$852	S4

\*Stock Model

SB300 - Prices and Specifications are subject to change without notice.



## Catalog Number/Model Number

CAT. NO.	MODEL NO.	PAGE NO.	LIST PRICE	MULT. SYMB.	CAT. NO.	MODEL NO.	PAGE NO.	LIST PRICE	MULT. SYMB.	CAT. NO.	MODEL NO.	PAGE NO.	LIST PRICE	MULT. SYMB.
A643	KIT 175296	234	\$91	S4	A753	KIT M31023-NV	243	\$2,500	S4	B307	48S17D2059	146	\$210	F1
A644	KIT 180CF8.5-1	234	\$91	S4	A754	KIT M31023-FC	243	\$2,500	S4	B308	56S17D2053	145	\$135	F1
A645	KIT 180CF4.5-1	234	\$91	S4	A755	KIT 360BRFSR-314	242	\$1,039	S4	B309	56S17D2054	145	\$143	F1
A647	KIT 250TDFPA	236	\$363	S4	A756	KIT 400BRFS-316	242	\$1,039	S4	B310	56C17D5321	22, 147	\$322	F1
A648	KIT 250TDFNA	236	\$363	S4	A757	KIT 440BRFS-318	242	\$1,366	S4	B311	56C17D5322	147	\$348	F1
A649	KIT 649R	236	\$363	S4	A758	KIT 449BRFS	242	\$1,421	S4	B312	48C17D2041	147	\$180	F1
A650	KIT 650R	236	\$638	S4	A759	KIT 440BRFN	242	\$1,366	S4	B313	48C17D2042	147	\$189	F1
A651	KIT 651R	236	\$638	S4	A760	KIT 440BBFN	242	\$1,366	S4	B314	48C17D2043	147	\$213	F1
A652	KIT 175068	234	\$128	S4	A761	KIT 449BBFS	242	\$1,421	S4	B315	48C17D2044	147	\$220	F1
A653	KIT 175191	234	\$147	S4	A762	KIT LKSR02	243	\$2,038	E3	B316	56C17D2071	22, 147	\$242	F1
A654	KIT 175061	234	\$273	S4	A764	KIT LKSR03	243	\$2,038	E3	B317	56C17D2072	22, 147	\$263	F1
A655	KIT 145TCFN	234	\$62	S4	A772	KIT HS351024-NV	243	\$1,291	E3	B318	56C17D2073	22, 147	\$300	F1
A656	KIT 280TDFNA	236	\$638	S4	A774	KIT HS351024-FC	243	\$1,291	E3	B319	56C17D2074	22, 147	\$321	F1
A657	KIT 320TDFPA	236	\$721	S4	A775	KIT HS351024-BC	243	\$1,291	E3	B320	56S17D2055	145	\$162	F1
A662	KIT 175614	241	\$55	E3	A776	KIT HS352048-NV	243	\$1,291	E3	B321	56S17D2056	145	\$214	F1
A668	KIT A02H1024-BC LED	243	\$1,450	E3	A777	KIT HS352048-FC	243	\$1,291	E3	B322	48S17D2053	146	\$129	F1
A669	KIT A02H2048-BC LED	243	\$1,450	E3	A778	KIT HS352048-BC	243	\$1,291	E3	B330	56C17D5316	22, 148	\$401	F1
A687	KIT HS201024-NV	243	\$600	S4	A779	KIT HS35B1024-NV	243	\$1,291	E3	B331	56B17D5700	147	\$433	F1
A688-10	KIT A688-10	243	\$249	E3	A780	KIT HS35B2048-NV	243	\$1,291	E3	B332	56B17D5701	147	\$440	F1
A688-50	KIT A688-50	243	\$647	E3	A781	KIT HS35B1024-BC	243	\$1,291	E3	B334	56B17D5702	147	\$541	F1
A690-15	KIT A690-15	243	\$206		A782	KIT HS35B2048-BC	243	\$1,291	E3	B335	56B17D5703	147	\$548	F1
A691	KIT 25TEBCNA	242	\$1,567	S4	A783	KIT HS35B1024-FC	243	\$1,291	E3	B336	56C17D5347	22, 148	\$386	F1
A692	KIT 21TEBC	242	\$1,434	S4	A784	KIT HS35B2048-FC	243	\$1,291	E3	B337	56C17D5348	147	\$359	F1
A695	KIT 32TEBC	242	\$2,170	S4	A785	KIT LKSR512	243	\$2,038	S4	B338	56C17D5349	148	\$416	F1
A696	KIT 36TEBC	242	\$2,779	S4	A786	KIT LKSR-CFACE	199, 243	\$2,241	E3	B348	56S17D2059	146	\$214	F1
A697	KIT 40TEBC	242	\$3,269	S4	A787	KIT 449BBFS-322	242	\$1,421	S4	B350	56B17D5706	147	\$442	F1
A698	KIT 44TEBC-313	242	\$3,465	S4	A788	KIT 449BBFS-319	242	\$1,421	S4	B352	56B17D5331	22, 148	\$512	F1
A699	KIT 44TEBC-316	242	\$3,465	S4	A789	KIT SL561024-182NV	199, 243	\$2,241	E3	B380	48S11D53	145	\$206	F1
A700	KIT 44TEBC-318	242	\$3,465	S4	A790	KIT SL561024-184NV	199, 243	\$2,750	E3	B381	56S11D2021	145	\$244	F1
A701	KIT 28TEBCNA	242	\$1,845	S4	A791	KIT SL561024-210NV	199, 243	\$2,750	E3	B383	48S17D7200	146	\$182	F1
A711	KIT HSD351024-NV	243	\$1,395	S4	A792	KIT SL561024-250NV	199, 243	\$2,750	E3	B384	48S17D7201	146	\$189	F1
A712	KIT HSD351024-FC	243	\$1,395	S4	A793	KIT M561024-NV	243	\$2,038	E3	B387	56S17D7202	146	\$230	F1
A715	KIT 140CB	242	\$98	S4	A794	KIT M561024-BC	243	\$2,038	E3	B388	56S17D7203	146	\$236	F1
A718	KIT 180R	242	\$141	S4	A795	KIT L449BBFS-322	242	\$1,421	S4	B389	56S17D5700	146	\$290	F1
A720	KIT 180/210CB	241	\$71	S4	A796	KIT L449TEBC	242	\$3,465	S4	B400	48S17D997	135	\$128	F1
A721	KIT 210R	242	\$205	S4	A797	KIT LKSR2048	243	\$2,038	S4	B401	56S17D2062	135	\$160	F1
A722	KIT 250CB	241	\$118	S4	A800	KIT 56 EXPR BOX	241	\$83	S4	B402	48S17D7209	135	\$194	F1
A723	KIT 250RFPA	242	\$249	S4	A801	KIT ENCB0X	243	\$136	E3	B500	56S17F5305	148	\$202	F1
A724	KIT 250RFNA	242	\$249	S4	A803	KIT LDRDCR-M	241	\$15	S4	B501	48S17T2002	148	\$165	F1
A725	KIT 250R	242	\$249	S4	A807	KIT STUBSHAFT 1IN	243	\$150	E3	B502	48S17T2003	148	\$158	F1
A726	KIT 280RFPA	242	\$346	S4	A809	KIT STUBSHAFT 16MM	243	\$150	E3	B504	56S17F5302	148	\$195	F1
A727	KIT 280RFN	242	\$346	S4	A903	KIT 903	237	\$473	S4	B506	56S17F5303	148	\$277	F1
A728	KIT 280R	242	\$346	S4	A904	KIT 904	237	\$528	S4	B507	56S17F5304	148	\$234	F1
A729	KIT 280CB	241	\$159	S4	A905	KIT 905	237	\$601	S4	B600	56S17D5701	146	\$297	F1
A730	KIT 320CB	241	\$177	S4	A906	KIT 906	237	\$582	S4	B604	48S17D7206	146	\$158	F1
A731	KIT 280RFNA	242	\$346	S4	A907	KIT 907	237	\$657	S4	B605	48S17D7207	146	\$165	F1
A732	KIT 320R	242	\$367	S4	A908	KIT 908	237	\$729	S4	B606	48S17D2116	146	\$162	F1
A733	KIT 320RFPA	242	\$367	S4	A909	KIT 909	77, 237	\$674	S4	B607	48S17D2117	146	\$182	F1
A736	KIT HS35A1024-NV	243	\$1,291	S4	A910	KIT 910	77, 237	\$729	S4	B608	56C17D2113	147	\$275	F1
A737	KIT HS35A1024-FC	243	\$1,291	S4	A911	KIT 911	77, 237	\$801	S1	B609	56B17D2013	147	\$335	F1
A738	KIT HS35A1024-BC	243	\$1,291	S4	B100	56S17D2064	146	\$207	F1	B703	48N17D14	146	\$190	F1
A739	KIT HS35A2048-NV	243	\$1,291	S4	B193	56T34D5357	150	\$454	F1	C101		35	\$366	E6
A740	KIT HS35A2048-FC	243	\$1,291	S4	B200	56S17D2049	146	\$197	F1	C102	145TTDR5311	35	\$413	E6
A741	KIT HS35A2048-BC	243	\$1,291	S4	B201	56S17D2047	146	\$125	F1	C103	145TTDR5312	35	\$454	E6
A742	KIT HS35M1024	243	\$1,495	S4	B202	56S17D2048	146	\$145	F1	C104	182TTDR8204	35	\$575	E6
A743	KIT HS35M1024-BC	243	\$1,495	S4	B206	48S17D2107	146	\$121	F1	C105	184TTDR79308	35	\$659	E6
A744	KIT HS35M2048	243	\$1,495	S4	B207	48S17D2108	146	\$141	F1	C106	213TTDW7021	35	\$812	E6
A745	KIT HS35M2048-BC	243	\$1,495	S4	B208	48S17D2109	146	\$193	F1	C111	143TTDR5378	35	\$389	E6
A746	KIT HS25A1024-NV	243	\$950	S4	B210	56C17D2100	22, 147	\$225	F1	C120	143TTDR5331	35	\$334	E6
A747	KIT HS25A2048-NV	243	\$950	S4	B300	48S17D2052	146	\$123	F1	C121	145TTDR5340	35	\$358	E6
A748	KIT M561024BRK-140	199, 243	\$2,038	E3	B302	48S17D2054	146	\$132	F1	C122	145TTDR5341	35	\$386	E6
A749	KIT M561024BRK-182	199, 243	\$2,038	E3	B303	48S17D2055	146	\$139	F1	C123	182TTDR8067	35	\$462	E6
A750	KIT M851024BRK-184	199, 243	\$2,750	E3	B304	48S17D2056	146	\$152	F1	C124	184TTDR8329	35	\$504	E6
A751	KIT M851024BRK-210	199, 243	\$2,750	E3	B305	48S17D2057	146	\$158	F1	C125	213TTDW7046	35	\$667	E6
A752	KIT M851024BRK-250	199, 243	\$2,750	E3	B306	48S17D2058	146	\$203	F1	C126	215TTDW7046	35	\$809	E6

# Index

## Catalog Number/Model Number

CAT. NO.	MODEL NO.	PAGE NO.	LIST PRICE	MULT. SYMB.	CAT. NO.	MODEL NO.	PAGE NO.	LIST PRICE	MULT. SYMB.	CAT. NO.	MODEL NO.	PAGE NO.	LIST PRICE	MULT. SYMB.
C150	145TTDR5377	35	\$413	E6	C361 *	143TTGN4051	83	\$709	E7	D314 *	56B34F5326	27	\$378	F2
C151		35	\$446	E6	C362 *	145TTGN4032	83	\$750	E7	D315 *	56B34F5327	27	\$455	F2
C152	184TTDR7379	35	\$497	E6	C363 *	145TTGN4049	83	\$789	E7	D316 *	56B34F5328	27	\$608	F2
C153		35	\$614	E6	C364 *	182TTGS4069	83	\$917	E7	D390 *	56T34F5303	50	\$203	F2
C154		35	\$799	E6	C365 *	184TTGS4075	84	\$999	E7	D391 *	56T34F5301	50	\$226	F2
C155	254TTDX7090	35	\$1,072	E6	C366 *	213TTGS4028	84	\$1,358	E7	D392 *	56T34F5302	50	\$264	F2
C156	256TTDX7396	35	\$1,216	E6	C367 *	215TTGS4028	84	\$1,562	E7	D393 *	56T34F5303	50	\$294	F2
C162	145TTDR5384	35	\$432	E6	C368	182TTGS4036	83, 99	\$917	E7	D394 *	56T34F5304	51	\$351	F2
C163	145TTDR5646	35	\$453	E6	C369	184TTGS4037	84, 99	\$999	E7	D395 *	56T34F5305	51	\$405	F2
C170		23	\$422	S1	C370	213TTGS4036	84, 99	\$1,358	E7	D396 *	56T34F5306	51	\$450	F2
C171		23	\$500	S1	C371	215TTGS4049	84, 99	\$1,562	E7	D400 *	56C17F5352	112	\$596	E5
C172		23	\$533	S1	C380 *	184TTFR4380	51	\$693	E8	D401 *	56C17F5353	112	\$658	E5
C173		23	\$559	S1	C381 *	182TTFR4320	51	\$707	E8	D402 *	56C17F5354	112	\$852	E5
C174	184TCDR9627	23	\$546	S1	C382 *	182TTFR4340	51	\$632	E8	D403 *	56C17F5355	112	\$906	E5
C201 *	143TTFR5302	48	\$337	E6	C383 *	182TTFR4345	51, 93	\$632	E8	D404 *	56B17F5330	112	\$956	E5
C202 *	145TTFR5302	48	\$392	E6	C384 *	213TTFR4380	51	\$884	E8	D450 *	56T17F5348	112	\$561	E5
C203 *	182TTFR7325	48	\$500	E6	C385 *	184TTFR4320	51	\$755	E8	D451 *	56T11F5325	112	\$743	E5
C204 *	184TTFR8002	49	\$574	E6	C386 *	184TTFR4340	51	\$666	E8	D452 *	56T17F5349	112	\$631	E5
C205 *	213TTFR7007	49	\$759	E6	C387 *	184TTFR4345	51, 93	\$666	E8	D453 *	56T11F5326	112	\$927	E5
C206 *	215TTFR7302	49	\$908	E6	C388 *	215TTFR4380	51	\$1,054	E8	D454 *	56T17F5350	112	\$741	E5
C207 *	254TTFL5020	49	\$1,255	E6	C389 *	213TTFR4320	52	\$980	E8	D455 *	56T11F5327	112	\$1,089	E5
C220 *	143TTFR5329	48	\$326	E6	C390 *	213TTFR4340	52	\$884	E8	D456 *	56T17F5357	112	\$880	E5
C221 *	145TTFR5332	48	\$379	E6	C391 *	213TTFR4345	52, 93	\$884	E8	D457 *	56T17F5358	112	\$977	E5
C222 *	145TTFR5334	48	\$405	E6	C392 *	215TTFR4320	52	\$1,020	E8	E100 *	143TTDR4035	114	\$329	S2
C223 *	182TTFR7634	48	\$480	E6	C393 *	215TTFR4340	52	\$972	E8	E102	145TTDR4034	114	\$359	S2
C224 *	184TTFR8641	49	\$539	E6	C394 *	215TTFR4345	52, 93	\$972	E8	E103		114	\$422	S2
C225 *	213TTFR7046	49	\$666	E6	C400 *	145TTFR5382	112	\$1,167	E5	E104	145TTDR4060	114	\$376	S2
C226 *	215TTFR7046	49	\$875	E6	C401 *	145TTFR5360	112	\$977	E5	E105	145TTDR4303	115	\$472	S2
C227 *	254TTFL5040	49	\$1,243	E6	C402	184TTTL7084	112	\$1,301	E5	E106	182TTDR4033	115	\$438	S2
C230	143TTFR5333	48, 92	\$326	E6	C403 *	145TTFR5359	112	\$1,026	E5	E107 *	182TTDR4002	115	\$566	S2
C231	145TTFR5340	48, 92	\$379	E6	C404	184TTTL7083	112	\$1,358	E5	E108	184TTDR4034	115	\$566	S2
C232	145TTFR5341	48, 92	\$405	E6	C405 *	182TTTL7034	112	\$1,358	E5	E109	184TTDR4002	115	\$680	S2
C236 *	145TTFR5307	48	\$422	E6	C406 *	184TTTL7041	112	\$1,836	E5	E110	213TTDW4047	116	\$818	S2
C237 *	215TTFR7021	49	\$1,154	E6	C407 *	213TTTL7034	112	\$2,411	E5	E111	213TTDW4022	116	\$874	S2
C238 *	184TTFR8617	49	\$688	E6	C408 *	215TTTL7050	112	\$3,014	E5	E112 *	215TTDW4047	116	\$970	S2
C250	145TTFR5378	48	\$408	E6	D010 *	56B34D2029	180, 190	\$267	F1	E113	215TTDW7022	116	\$1,080	S2
C251	182TTFR7094	48	\$479	E6	D012 *	56B34D5318	20, 180	\$432	F1	E114		116	\$1,312	S2
C252	184TTFR7082	48	\$539	E6	D013 *	56B34D5332	181	\$563	F1	E115	143TTDR4040	114	\$329	S2
C253	213TTFR7096	48	\$684	E6	D014	56C34D2107	180	\$201	F1	E116	143TTDR4047	100, 114	\$329	S2
C254	215TTFR7096	49	\$953	E6	D015	56C34D2094	180, 190	\$233	F1	E117	143TTDR4041	114	\$367	S2
C255	254TTFL5082	49	\$1,288	E6	D017 *	56B34D5302	21, 181	\$599	F1	E118	143TTDR4034	114	\$367	S2
C256	256TTFPA7694	49	\$1,592	E6	D018 *	56B34D133	20, 180	\$345	F1	E119	143TTDR4046	100, 114	\$367	S2
C257		49	\$2,192	E6	D107 *	48S17D2017	146	\$112	F1	E120	143TTDR4016	114	\$376	S2
C260	145TTFR5344	48	\$461	E6	D110 *	48C34D2022	22, 147	\$164	F1	E121	143TTDR4022	100, 114	\$376	S2
C276		26	\$634	S1	D111 *	56C17D2079	22, 147	\$246	F1	E122	143TTDR4017	114	\$414	S2
C281	145TBFR5337	26	\$530	S1	D113 *	56C17D2080	22, 147	\$304	F1	E123	143TTDR4009	114	\$376	S2
C282	145TBFR5305	26	\$591	S1	D114 *	56C17D5345	22, 147	\$345	F1	E124	143TTDR4024	100, 114	\$414	S2
C284	145TBFR5306	26	\$634	S1	D115 *	56B34D2027	22, 148	\$346	F1	E125	145TTDR4040	114	\$359	S2
C301	143TTGN7020	84	\$676	E7	D116 *	56B34D5340	148	\$422	F1	E126	145TTDR4072	100, 114	\$359	S2
C302	145TTGN7022	84	\$734	E7	D117 *	56C34D2095	22, 147	\$213	F1	E127	145TTDR4041	114	\$399	S2
C303 *	182TTGS7315	84	\$807	E7	D118 *	56C34D2106	22, 147	\$249	F1	E128	145TTDR4035	114	\$399	S2
C304 *	184TTGS7313	84	\$1,013	E7	D119 *	48C17D2055	147	\$203	F1	E129	145TTDR4047	114	\$399	S2
C305 *	213TTGS7304	84	\$1,313	E7	D127 *	48S17D2083	146	\$121	F1	E130	145TTDR4015	114	\$422	S2
C306 *	215TTGS7024	84	\$1,470	E7	D129 *	48S17D2084	146	\$129	F1	E131	145TTDR4021	100, 114	\$422	S2
C307	254TTGP7021	84	\$1,922	E7	D143 *	48S17D2086	146	\$141	F1	E132	145TTDR4016	114	\$461	S2
C308	256TTGP7012	84	\$2,308	E7	D145 *	48S17D2027	146	\$149	F1	E133	145TTDR4010	114	\$461	S2
C320 *	143TTGN7062	84	\$650	E7	D149 *	56S17D2050	146	\$197	F1	E134	145TTDR4022	100, 114	\$461	S2
C321 *	145TTGN7337	84	\$688	E7	D162 *	48S17D2087	146	\$193	F1	E135	145TTDR4066	114	\$376	S2
C322 *	145TTGN7338	84	\$725	E7	D163 *	48S17D2088	146	\$202	F1	E136	145TTDR4046	100, 114	\$376	S2
C323 *	182TTGS7068	84	\$863	E7	D164 *	56S17D2060	146	\$256	F1	E137	145TTDR4067	114	\$414	S2
C324 *	184TTGS7072	84	\$937	E7	D180	48S17D7204	146	\$172	F1	E138	145TTDR4051	114	\$414	S2
C325 *	213TTGS7067	84	\$1,282	E7	D181	48S17D7205	146	\$214	F1	E139	145TTDR4073	100, 114	\$414	S2
C326 *	215TTGS7065	84	\$1,468	E7	D311 *	56C34F5301	27	\$220	F2	E140	145TTDR4115	115	\$472	S2
C327 *	254TTGP7061	84	\$1,892	E7	D312 *	56C34F5302	27	\$266	F2	E141	145TTDR4121	100, 115	\$472	S2
C328 *	256TTGP7060	84	\$2,366	E7	D313 *	56C34F5303	27	\$300	F2	E142	145TTDR4307	115	\$511	S2

**Catalog Number/Model Number**

CAT. NO.	MODEL NO.	PAGE NO.	LIST PRICE	MULT. SYMB.	CAT. NO.	MODEL NO.	PAGE NO.	LIST PRICE	MULT. SYMB.	CAT. NO.	MODEL NO.	PAGE NO.	LIST PRICE	MULT. SYMB.
E143	145TTDR4110	115	\$511	S2	E2009*	182TTFR6001	60	\$740	E9	E237 *	284TTFNA6076	40, 62	\$2,839	E9
E144	145TTDR4025	100, 115	\$511	S2	E201 *	182TTTS6026	39, 61	\$740	E9	E238 *	286TTFNA6076	40, 62	\$3,459	E9
E145	182TTDR4140	115	\$438	S2	E2010*	182TTFR6026	60	\$664	E9	E239 *	324TTFS6076	41, 62	\$4,193	E9
E146	182TTDR4146	100, 115	\$438	S2	E2011*	213TTFW6076	60	\$979	E9	E240 *	326TTFS6076	41, 62	\$4,829	E9
E147	182TTDR4036	115	\$516	S2	E2012*	184TTFR6001	60	\$858	E9	E241 *	364TTFS6086	41, 62	\$6,544	E9
E148	182TTDR4135	115	\$516	S2	E2013*	184TTFR6026	60	\$775	E9	E242 *	365TTFS6086	41, 62	\$7,516	E9
E149	182TTDR4147	100, 115	\$516	S2	E2014*	215TTFW6076	60	\$1,261	E9	E243 *	404TTFS6086	41, 62	\$8,806	E9
E150	182TTDR4116	115	\$566	S2	E2015*	213TTFW6001	60	\$1,054	E9	E244 *	405TTFS6086	42, 62	\$10,366	E9
E151	182TTDR4122	100, 115	\$566	S2	E2016*	213TTFW6026	60	\$957	E9	E245	444TTFS6086	42	\$14,168	E9
E152	182TTDR4117	115	\$642	S2	E2018*	215TTFW6001	60	\$1,122	E9	E246 *	445TTFN6086	42, 62	\$17,402	E9
E153	182TTDR4111	115	\$642	S2	E2019*	215TTFW6026	60	\$1,089	E9	E247 *	445TTFN6038	42, 63	\$18,763	E9
E154	182TTDR4123	100, 115	\$642	S2	E202 *	184TTFS6026	39, 61	\$858	E9	E271	449STFS6003	43, 63	\$28,641	E9
E155	184TTDR4140	115	\$566	S2	E203 *	213TTFS6026	39, 61	\$1,051	E9	E272	449STFS6002	43, 63	\$37,124	E9
E156	184TTDR4146	100, 115	\$566	S2	E204 *	215TFS6026	40, 61	\$1,266	E9	E273	449STFS6001	43, 63	\$42,573	E9
E157	184TTDR4141	115	\$642	S2	E205 *	254TTFNA6026	40, 62	\$1,594	E9	E276	449TTFS6038	43, 63	\$27,071	E9
E158	184TTDR4135	115	\$642	S2	E206 *	256TTFNA6026	40, 62	\$1,986	E9	E277	449TTFS6037	43, 63	\$26,900	E9
E159	184TTDR4147	100, 115	\$642	S2	E207 *	284TTFNA6026	41, 62	\$2,365	E9	E278		43, 63	\$35,102	E9
E160	184TTDR4115	115	\$680	S2	E208 *	286TTFNA6026	41, 62	\$2,750	E9	E282	449TTFS6088	42, 63	\$23,834	E9
E161	184TTDR4121	100, 115	\$680	S2	E209 *	324TTFS6026	41, 62	\$3,653	E9	E283	449TTFS6087	43, 63	\$27,398	E9
E162	184TTDR4116	115	\$758	S2	E210 *	326TFS6026	41, 62	\$4,486	E9	E284	449TTFS6390	43, 63	\$36,173	E9
E163	184TTDR4110	115	\$758	S2	E2100*	56T34F15940	61	\$525	E9	E285		42	\$22,710	E9
E164	184TTDR4122	100, 115	\$758	S2	E2101*	143TTFR15642	61	\$458	E9	E287 *	445TTFN6040	43, 63	\$23,540	E9
E165	213TTDW4042	116	\$638	S2	E2102*	145TTFR16078	61	\$576	E9	E289	445TTFN6087	42, 63	\$19,470	E9
E166	213TTDW4041	100, 116	\$638	S2	E2103*	143TTFR15582	61	\$573	E9	E291		43, 46, 63	\$35,421	E9
E167	213TTDW4033	116	\$718	S2	E2104*	145TTFR16033	61	\$497	E9	E292	449TTFS6065	43, 46, 63	\$36,316	E9
E168	213TTDW4048	116	\$718	S2	E2105*	182TTFR16076	61	\$737	E9	E300 *	143TTTN6030	37, 61, 90	\$458	E9
E169	213TTDW4038	100, 116	\$921	S2	E2106*	145TTFR13002	61	\$601	E9	E301	145TTTN6031	38, 91	\$497	E9
E170	213TTDW4009	116	\$874	S2	E2107*	145TTFR16035	61	\$546	E9	E302	145TTTN6030	38, 91	\$546	E9
E171	213TTDW4010	100, 116	\$874	S2	E2108*	184TTFR16076	61	\$911	E9	E303 *	182TTTS6030	39, 91	\$740	E9
E172	213TTDW4008	116	\$976	S2	E2109*	182TTFR16001	61	\$825	E9	E304	184TTFS6030	39, 61, 91	\$858	E9
E173	213TTDW4023	116	\$976	S2	E211 *	364TTFS6036	41, 62	\$6,436	E9	E305 *	213TTFS6030	39, 61, 91	\$1,051	E9
E174	213TTDW4007	100, 116	\$976	S2	E2110*	182TTFR16026	61	\$740	E9	E306	215TFS6030	40, 91	\$1,266	E9
E175	215TTDW4041	116	\$970	S2	E2111 *	213TTFW16076	61	\$1,122	E9	E307 *	254TTFNA6030	40, 62, 91	\$1,594	E9
E176	215TTDW4042	100, 116	\$970	S2	E2112*	184TTFR16001	61	\$917	E9	E308 *	256TTFNA6030	40, 62, 91	\$1,986	E9
E177	215TTDW4043	116	\$1,072	S2	E2113*	184TTFR16026	61	\$858	E9	E309 *	284TTFNA6030	41, 62, 91	\$2,365	E9
E178 *	215TTDW4048	116	\$1,072	S2	E2114*	215TTFW16076	61	\$1,378	E9	E310 *	286TTFNA6030	41, 62, 91	\$2,750	E9
E179	215TTDW4032	100, 116	\$1,072	S2	E2115*	213TTFW16001	61	\$1,108	E9	E311 *	324TTFS6030	41, 62, 91	\$3,653	E9
E180	215TTDW4008	116	\$1,080	S2	E2116*	213TTFW16026	61	\$1,051	E9	E312	326TFS6030	41, 62, 91	\$4,486	E9
E181	215TTDW4009	100, 116	\$1,080	S2	E2118*	215TTFW16001	61	\$1,293	E9	E313 *	364TTFS6040	41, 62, 92	\$6,436	E9
E182	215TTDW4010	116	\$1,183	S2	E2119*	215TTFW16026	61	\$1,266	E9	E314 *	405TTFS6040	42, 62, 92	\$10,080	E9
E183	215TTDW4023	116	\$1,183	S2	E212 *	365TFS6036	42, 62	\$8,159	E9	E315 *	365TTFS6040	42, 62, 92	\$6,159	E9
E184	215TTDW4007	100, 116	\$1,183	S2	E213 *	405TTFS6036	42, 62	\$10,080	E9	E316	444TTFS6044	42, 92	\$13,270	E9
E185	254TTDX4343	116	\$1,312	S2	E214 *	444TTFS6036	42, 62	\$13,270	E9	E317	445TTFN6037	42, 92	\$15,428	E9
E186	254TTDX4344	100, 116	\$1,312	S2	E215 *	445TTFN6036	42, 63	\$15,428	E9	E318		41, 91	\$3,027	E9
E187	254TTDX4345	116	\$1,461	S2	E216 *	182TTTS6001	38, 61	\$825	E9	E319	324STFS6005	41, 91	\$3,992	E9
E188	254TTDX4039	116	\$1,461	S2	E217 *	184TTFS6001	39, 61	\$917	E9	E320	326STFS6005	41, 91	\$5,164	E9
E189		100, 116	\$1,461	S2	E218 *	213TTTS6001	39, 61	\$1,108	E9	E321	364STFS6005	41, 91	\$6,794	E9
E190	254TTDX4007	116	\$1,363	S2	E219 *	215TFS6001	40, 61	\$1,293	E9	E322	365STFS6002	42, 92	\$8,531	E9
E191	254TTDX4006	116	\$1,363	S2	E220 *	254TTFNA6001	40, 62	\$1,698	E9	E323	405STFS6005	42, 92	\$11,431	E9
E192	254TTDX4019	100, 116	\$1,363	S2	E221 *	256TTFNA6001	40, 62	\$2,104	E9	E324	444STFS16002	42, 92	\$14,944	E9
E193	254TTDX4015	116	\$1,512	S2	E222 *	284STFNA6001	41, 62	\$2,592	E9	E326	445TTFN6039	42, 92	\$18,763	E9
E194	254TTDX4020	116	\$1,512	S2	E223 *	286STFNA6001	41, 62	\$3,027	E9	E328	444TTFN6086	62	\$15,286	E9
E195	254TTDX4024	100, 116	\$1,512	S2	E224 *	324STFS6001	41, 62	\$3,992	E9	E344		95	\$27,612	E9
E197	256TTDX4075	117	\$1,583	S2	E225 *	326STFS6001	41, 62	\$5,164	E9	E345	449TTFS16534	68, 95	\$27,438	E9
E198	256TTDX4326	100, 117	\$1,583	S2	E226 *	364STFS6001	41, 62	\$6,794	E9	E349 *	143TTTN6026	37, 61	\$458	E9
E199	256TTDX4329	117	\$1,730	S2	E227 *	365STFS6001	42, 62	\$8,531	E9	E350 *	145TTTN6076	37, 61	\$576	E9
E2000*	56T34F5940	60	\$554	E9	E228 *	405STFS6001	42, 62	\$11,431	E9	E351 *	143TTTN6001	38, 61	\$573	E9
E2001*	143TTFR5642	60	\$445	E9	E229 *	444STFS6001	42, 62	\$14,944	E9	E352 *	145TTTN6026	38, 61	\$497	E9
E2002*	145TTFR6078	60	\$536	E9	E230	445STFN6001	42, 63	\$17,952	E9	E353 *	145TTTN6001	38, 61	\$601	E9
E2003*	143TTFR5582	60	\$515	E9	E231 *	182TTTS6076	38, 61	\$737	E9	E354 *	145TTTN6027	38, 61	\$546	E9
E2004*	145TTFR6033	60	\$485	E9	E232 *	184TTTS6076	38, 61	\$911	E9	E361		68	\$60,474	S6
E2005*	182TTFR6076	60	\$701	E9	E233 *	213TFS6076	39, 61	\$1,122	E9	E363	5013LSTFS6595	68	\$85,984	S6
E2006*	145TTFR3002	60	\$571	E9	E234 *	215TFS6076	39, 61	\$1,378	E9	E364		68	\$59,263	S6
E2007*	145TTFR6035	60	\$531	E9	E235 *	254TTFNA6076	39, 61	\$1,751	E9	E365		68	\$87,202	S6
E2008*	184TTFR6076	60	\$803	E9	E236 *	256TTFNA6076	40, 61	\$2,139	E9	E366		68	\$70,218	S6

\*Stock Model

# Index

## Catalog Number/Model Number

CAT. NO.	MODEL NO.	PAGE NO.	LIST PRICE	MULT. SYMB.	CAT. NO.	MODEL NO.	PAGE NO.	LIST PRICE	MULT. SYMB.	CAT. NO.	MODEL NO.	PAGE NO.	LIST PRICE	MULT. SYMB.
E368		68	\$102,291	S6	E480 *	256TTFNA6596	65	\$2,182	E9	E610 *	326TSTFS6501	66, 178	\$5,268	E9
E369		68	\$51,543	S6	E481 *	254TTFNA6515	66	\$1,732	E9	E611 *	364TSTFS6501	66, 178	\$6,929	E9
E373	143TTFN6576	64	\$617	E9	E482 *	254TTFNA6529	66	\$1,626	E9	E612 *	365TSTFS6501	67, 178	\$8,702	E9
E374	143TTFN6526	64	\$504	E9	E483 *	284TTFNA6876	66	\$2,896	E9	E613 *	405TSTFS6501	67, 178	\$11,660	E9
E375	143TTFN6563	64	\$504	E9	E484	256TTFNA6523	66	\$2,146	E9	E614 *	444TSTFS6501	67, 178	\$15,243	E9
E376	143TTFN16539	64	\$504	E9	E485 *	256TTFNA6529	66	\$2,026	E9	E615 *	445TSTFN6501	67, 178	\$18,311	E9
E377	143TTFN6501	64	\$630	E9	E486 *	286TTFNA6876	66	\$3,528	E9	E616 *	182TTTS6526	65, 177	\$740	E9
E378	143TTFN6502	64	\$630	E9	E488 *	284TTFNA6837	66	\$2,413	E9	E617 *	184TTFS6526	65, 177	\$858	E9
E379	143TTFN6505	64	\$630	E9	E490 *	286TSTFNA6804	66	\$3,087	E9	E618 *	213TTFS6526	65, 177	\$1,051	E9
E380	182TTFS6576	64	\$811	E9	E491 *	286TTFNA6570	66	\$2,805	E9	E619 *	215TTFS6526	65, 177	\$1,266	E9
E381	182TTFS6578	64	\$811	E9	E493	405TSTFS6502	67, 95	\$11,660	E9	E620 *	254TTFNA6526	66, 177	\$1,626	E9
E382	145TTFN6501	64	\$661	E9	E494	444TSTFS6505	67, 95	\$15,243	E9	E621 *	256TTFNA6526	66, 177	\$2,026	E9
E383	145TTFN6521	64	\$661	E9	E495	445TSTFN6502	67, 95	\$18,311	E9	E622 *	284TTFNA6526	66, 177	\$2,413	E9
E384	145TTFN6505	64	\$661	E9	E496	445TSTFN6506	67, 95	\$23,164	E9	E623 *	286TTFNA6526	66, 177	\$2,805	E9
E385	145TTFN6527	65	\$601	E9	E500	254TTGN6576	85	\$2,101	E7	E624 *	324TTFS6526	66, 178	\$3,726	E9
E386	145TTFN6835	65	\$601	E9	E501	256TTGN6576	85	\$2,534	E7	E625 *	326TTFS6526	66, 178	\$4,576	E9
E387	145TTFN6530	65	\$601	E9	E502	254TTGN6507	85	\$2,054	E7	E626 *	364TTFS6536	66, 178	\$6,565	E9
E388	184TTFS6576	65	\$1,002	E9	E503 *	254TTGN6531	85	\$2,042	E7	E627 *	365TTFS6536	67, 178	\$8,322	E9
E389	184TTFS6582	65	\$1,002	E9	E504	284TTGN6576	85	\$3,520	E7	E628 *	405TTFS6536	67, 178	\$10,282	E9
E390	182TTFS6501	65	\$908	E9	E505		85	\$2,588	E7	E629 *	444TTFS6536	67, 178	\$13,535	E9
E391	182TTFS6519	65	\$908	E9	E506 *	256TTGN6531	85	\$2,417	E7	E630 *	445TTFN6536	67, 178	\$15,736	E9
E392	182TTFS6505	65	\$908	E9	E507		85	\$4,105	E7	E631 *	445TTFN6538	67, 178	\$19,138	E9
E393	182TTFS6526	65	\$814	E9	E546	284TSTGN6503	85	\$3,341	E7	E632 *	182TTTS6576	64, 177	\$737	E9
E394	182TTFS6538	65	\$814	E9	E547 *	284TTGN6533	85	\$3,075	E7	E633 *	184TTTS6576	65, 177	\$911	E9
E395	182TTFS6530	65	\$814	E9	E562		85	\$5,184	E7	E634 *	213TTFS6576	65, 177	\$1,122	E9
E396	213TTFS6501	65	\$1,219	E9	E563	286TSTGN6501	85	\$3,601	E7	E635 *	215TTFS6576	65, 177	\$1,378	E9
E397	213TTFS6502	65	\$1,219	E9	E564 *	286TTGN6537	85	\$3,565	E7	E636 *	254TTFNA6576	65, 177	\$1,786	E9
E398	213TTFS6505	65	\$1,219	E9	E565	326TTGS6578	85	\$6,068	E7	E637 *	256TTFNA6576	65, 177	\$2,182	E9
E400	326TTFS6580	66, 94	\$4,926	E9	E566	324TSTGS6501	85	\$4,847	E7	E638 *	284TTFNA6576	66, 177	\$2,896	E9
E401	364TTFS6590	66, 95	\$6,675	E9	E567 *	324TTGS6529	85	\$4,745	E7	E639 *	286TTFNA6576	66, 177	\$3,528	E9
E402	365TTFS6590	66, 95	\$7,666	E9	E568	364TTGS6588	85	\$7,522	E7	E640 *	324TTFS6576	66, 177	\$4,276	E9
E403	404TTFS6592	67, 95	\$8,982	E9	E569	326TSTGS6501	85	\$6,146	E7	E641 *	326TTFS6576	66, 177	\$4,926	E9
E404	405TTFS6587	67, 95	\$10,574	E9	E570 *	326TTFS6532	85	\$5,778	E7	E642 *	364TTFS6586	66, 178	\$6,675	E9
E405	444TTFS6590	67, 95	\$15,592	E9	E571	365TTGS16577	85	\$8,545	E7	E643 *	365TTFS6586	66, 178	\$7,666	E9
E406	445TTFN6590	67, 95	\$17,750	E9	E572	364TSTGS6506	85	\$8,928	E7	E644 *	404TTFS6586	67, 178	\$8,982	E9
E407	445TTFN6591	67, 95	\$19,859	E9	E573 *	364TTGS6542	85	\$8,395	E7	E645 *	405TTFS6586	67, 178	\$10,574	E9
E408	449TTFS6582	67, 95	\$24,311	E9	E574	404TTGS6588	85	\$10,671	E7	E646 *	444TTFS6586	67, 178	\$14,451	E9
E448 *	445TTFN6587	67, 178	\$19,859	E9	E575	365TSTGS16503	85	\$10,346	E7	E647 *	445TTFN6586	67, 178	\$17,750	E9
E449 *	445TSTFN6505	67, 178	\$23,164	E9	E576 *	365TTGS6547	85	\$9,859	E7	E648 *	143TTTN6576	64, 177	\$561	E9
E450 *	445TTFN6540	67, 178	\$24,011	E9	E577	405TTGS6589	85	\$12,426	E7	E649 *	143TTTN6526	64, 177	\$458	E9
E453 *	326TSTFS6536	66, 178	\$4,576	E9	E578	405TSTGS6503	86	\$13,996	E7	E650 *	145TTTN6576	64, 177	\$576	E9
E454 *	364TSTFS6526	66, 178	\$6,565	E9	E580	444TTGS6588	86	\$17,067	E7	E651 *	143TTTN6501	64, 177	\$573	E9
E455 *	365TSTFS6526	67, 178	\$8,322	E9	E581		86	\$19,320	E7	E652 *	145TTTN6526	64, 177	\$497	E9
E456 *	405TSTFS6526	67, 178	\$10,282	E9	E582 *	444TTGS6539	86	\$16,403	E7	E653 *	145TTTN6501	64, 177	\$601	E9
E457 *	444TSTFS6526	67, 178	\$13,535	E9	E583	445TTGS6597	86	\$20,412	E7	E654 *	145TTTN6527	65, 177	\$546	E9
E458 *	445TSTFN6526	67, 178	\$15,736	E9	E584		86	\$21,586	E7	E655 *	184TTFS6505	65, 94	\$917	E9
E459 *	445TSTFN6528	67, 178	\$19,138	E9	E585	445TTGN6542	86	\$19,391	E7	E656 *	213TTTS6505	65, 94	\$1,108	E9
E461 *	143TTTN6563	64	\$458	E9	E586		86	\$22,212	E7	E657 *	215TTFS6505	65, 94	\$1,293	E9
E462	145TTTN6584	64	\$576	E9	E587		86	\$26,340	E7	E658 *	254TTFNA6503	66, 94	\$1,732	E9
E463	143TTTN6502	64	\$573	E9	E588	445TTGN6538	86	\$21,983	E7	E659 *	256TTFNA6503	66, 94	\$2,146	E9
E464 *	145TTTN6834	64	\$497	E9	E589		86	\$28,632	E7	E660 *	284TSTFNA6502	66, 94	\$2,644	E9
E465 *	182TTTS6578	64	\$737	E9	E590		86	\$31,840	E7	E662 *	324TSTFS6505	66, 95	\$4,072	E9
E466	145TTTN6521	64	\$601	E9	E591		86	\$26,969	E7	E663 *	326TSTFS6502	66, 95	\$5,268	E9
E467 *	145TTTN6835	65	\$546	E9	E592		86	\$30,074	E7	E664 *	364TSTFS6505	66, 95	\$6,929	E9
E468 *	184TTTS6582	65	\$911	E9	E593		86	\$33,682	E7	E665 *	365TSTFS6502	67, 95	\$8,702	E9
E470 *	182TTTS6538	65	\$740	E9	E594 *	405TTGS6548	86	\$12,701	E7	E666 *	143TTTN6530	64, 94	\$458	E9
E471 *	213TTFS6594	65	\$1,122	E9	E601 *	182TTTS6501	65, 177	\$825	E9	E667 *	145TTTN6529	64, 94	\$497	E9
E472 *	184TTFS6810	65	\$917	E9	E602 *	184TTFS6501	65, 177	\$917	E9	E668 *	145TTTN6530	65, 94	\$546	E9
E473 *	184TTFS6844	65	\$858	E9	E603 *	213TTTS6501	65, 177	\$1,108	E9	E669 *	182TTTS6530	65, 94	\$740	E9
E474 *	215TTFS6881	65	\$1,378	E9	E604 *	215TTFS6501	65, 177	\$1,293	E9	E670 *	184TTFS6530	65, 94	\$858	E9
E475 *	213TTTS6502	65	\$1,108	E9	E605 *	254TTFNA6501	66, 177	\$1,732	E9	E671 *	213TTFS6530	65, 94	\$1,051	E9
E476 *	213TTFS6531	65	\$1,051	E9	E606 *	256TTFNA6501	66, 177	\$2,146	E9	E672 *	215TTFS6530	65, 94	\$1,266	E9
E477 *	254TTFNA6590	65	\$1,786	E9	E607 *	284TSTFNA6501	66, 177	\$2,644	E9	E673 *	254TTFNA6528	66, 94	\$1,626	E9
E478 *	215TTFS6807	65	\$1,293	E9	E608 *	286TSTFNA6501	66, 177	\$3,087	E9	E674 *	256TTFNA6528	66, 94	\$2,026	E9
E479 *	215TTFS6527	65	\$1,266	E9	E609 *	324TSTFS6501	66, 178	\$4,072	E9	E675 *	284TTFNA6527	66, 94	\$2,413	E9



**Catalog Number/Model Number**

CAT. NO.	MODEL NO.	PAGE NO.	LIST PRICE	MULT. SYMB.	CAT. NO.	MODEL NO.	PAGE NO.	LIST PRICE	MULT. SYMB.	CAT. NO.	MODEL NO.	PAGE NO.	LIST PRICE	MULT. SYMB.
E676 *	286TTFNA6527	66, 94	\$2,805	E9	E747 *	365TTDS4086	32	\$4,850	E2	E817 *	286TTFPA4030	41, 45, 91	\$2,159	E1
E677 *	324TTF6527	66, 95	\$3,726	E9	E748 *	404TTDS4086	32	\$5,658	E2	E818 *	286STFPA4036	41, 45	\$2,159	E1
E678 *	326TTF6527	66, 95	\$4,576	E9	E749	405TTDS4086	32	\$6,737	E2	E819	286STFPA4005	41, 45, 91	\$2,157	E1
E679 *	364TTF6537	66, 95	\$6,565	E9	E750	444TTDS4086	33	\$8,533	E2	E820 *	324TTFPA4076	41, 45	\$3,089	E1
E680 *	365TTF6537	67, 95	\$8,322	E9	E753 *	365TSTDS4001	33	\$5,882	E2	E821 *	215TTFW4005	40, 91	\$847	E8
E681 *	405TTF6538	67, 95	\$10,282	E9	E754 *	404TSTDS4001	33	\$6,905	E2	E822	215TTFW4028	40	\$861	E8
E682 *	445TTFN6537	67, 95	\$15,736	E9	E755 *	405TSTDS4001	33	\$8,901	E2	E823 *	182TTF654076	38, 44	\$449	E1
E683 *	215TTF6580	65, 94	\$1,378	E9	E756 *	444TSTDS4001	33	\$11,634	E2	E824	143TTFR4028	37	\$325	E8
E684 *	254TTFNA6578	65, 94	\$1,786	E9	E757	445TSTDS4001	33	\$16,555	E2	E825	143TTTN4028	37, 44	\$342	E1
E685 *	256TTFNA6578	65, 94	\$2,182	E9	E758 *	213TTDW4030	31, 89	\$591	E2	E826 *	143TTTC4026	37, 44	\$342	E1
E687 *	449TTF6588	67, 178	\$24,311	E9	E759 *	215TTDW4030	31, 89	\$759	E2	E827 *	143TTFR4030	37, 90	\$325	E8
E688	449TTF6587	67	\$27,946	E9	E760 *	254TTDX4030	31, 89	\$1,137	E2	E828 *	143TTTN4030	37, 44, 90	\$342	E1
E690 *	449TTF6538	67, 178	\$27,612	E9	E761 *	256TTDX4032	31, 89	\$1,388	E2	E829 *	145TTTN4076	37, 44	\$437	E1
E691 *	449TTF6537	68, 178	\$27,438	E9	E762 *	284TTDP4035	32, 89	\$1,612	E2	E830	143TTFR4003	38	\$342	E8
E692 *	449TTF6536	68, 178	\$35,804	E9	E763 *	286TTDP4034	32, 89	\$1,875	E2	E831	143TTTN4003	38, 44	\$361	E1
E694 *	284TTFNA6580	66, 94	\$2,896	E9	E764 *	324TTDP4028	32, 89	\$2,332	E2	E832 *	143TTFR4001	38	\$342	E8
E695 *	286TTFNA6580	66, 94	\$3,528	E9	E765 *	326TTDP4048	32, 89	\$2,718	E2	E833 *	143TTTN4001	38, 44	\$361	E1
E696	324TTF6577	66, 94	\$4,276	E9	E766	364TTDS4040	32, 89	\$3,332	E2	E834	143TTFR4005	38, 91	\$342	E8
E697 *	444TTF6540	67, 95	\$13,535	E9	E767	365TTDS4041	32, 89	\$4,058	E2	E835	143TTTN4005	38, 44, 91	\$361	E1
E698	449TSTF6502	68, 178	\$37,866	E9	E768 *	364TSTDC4026	32	\$3,332	E2	E836	145TTFR4029	38	\$362	E8
E699	449TSTF6503	67, 178	\$29,214	E9	E769	449TSTF6501	68, 178	\$43,424	E9	E837 *	145TTTC4026	38, 44	\$380	E1
E702 *	145TTDR5304	29	\$364	E2	E770 *	449TTF6530	67	\$22,009	E9	E838 *	145TTFR4038	38, 91	\$362	E8
E704 *	182TTDR4001	30	\$438	E2	E771 *	449TTF6528	67, 178	\$27,612	E9	E839 *	145TTTN4035	38, 44, 91	\$380	E1
E705 *	184TTDR4001	30	\$567	E2	E772	449TTF6527	68	\$27,438	E9	E840	145TTFR4005	38	\$397	E8
E706 *	213TTDW4001	31	\$736	E2	E773 *	449TTF6578	67, 178	\$24,311	E9	E841	145TTTN4003	38, 44	\$418	E1
E707 *	215TTDW4001	31	\$1,132	E2	E774	449TTF6577	67, 178	\$27,946	E9	E842 *	145TTTN4001	38, 44	\$418	E1
E708 *	254TTDX4001	31	\$1,334	E2	E776	449TTF6553	68, 178	\$36,759	E9	E843	145TTFR4007	38, 91	\$397	E8
E709 *	256TTDX4001	31	\$1,628	E2	E777		68, 178	\$37,584	E9	E844 *	145TTTN4005	38, 44, 91	\$418	E1
E710 *	284TSTDP4001	32	\$1,943	E2	E780 *	404TSTDS4026	33	\$5,175	E2	E845	145TTFR4032	38	\$397	E8
E711 *	286TSTDP4001	32	\$2,486	E2	E781 *	405TSTDS4026	33	\$6,196	E2	E846 *	145TTTC4027	38, 44	\$418	E1
E712 *	324TSTDP4001	32	\$2,954	E2	E782 *	365TSTDC4026	32	\$4,058	E2	E847 *	145TTFR4039	38, 91	\$397	E8
E713 *	326TSTDP4001	32	\$3,359	E2	E783 *	143TTDR5313	29	\$309	E2	E848 *	145TTTN4040	38, 44, 91	\$418	E1
E714 *	364TSTDS4001	32	\$4,478	E2	E784 *	145TTDR5325	30	\$382	E2	E849 *	184TTF654076	38, 44	\$495	E1
E715 *	143TTDR5347	28	\$278	E2	E785	145TTDR4078	28	\$364	E2	E851 *	143TTTN6505	64, 94	\$573	E9
E716 *	145TTDR5630	29	\$303	E2	E786 *	256TTDR4013	31	\$1,628	E2	E852	145TTTN6505	64, 94	\$601	E9
E717	145TTDR5631	29	\$334	E2	E787	324TTDP4030	32	\$2,332	E2	E853	182TTTS6505	65, 94	\$825	E9
E718 *	182TTDB4026	30	\$391	E2	E788	215TTDW4003	31	\$1,132	E2	E854 *	449TTF6540	67, 178	\$22,009	E9
E719 *	184TTDB4026	30	\$425	E2	E789 *	324TSTDP4032	32	\$2,332	E2	E856 *	449TTF6564	67, 95	\$22,009	E9
E720 *	213TTDBA4026	31	\$591	E2	E790	326TTDP4046	32	\$2,718	E2	E901 *	143TTDR5348	28	\$278	E2
E721 *	215TTDBA4026	31	\$759	E2	E791 *	326TSTDP4036	32	\$2,718	E2	E902 *	145TTDR5632	29	\$303	E2
E722 *	254TTDB4026	31	\$1,137	E2	E792 *	444TSTDS4026	33	\$8,949	E2	E903 *	145TTDR5633	29	\$334	E2
E723 *	256TTDB4026	31	\$1,388	E2	E793	284TSTDP4036	32	\$1,612	E2	E904 *	182TTDR4027	30	\$391	E2
E724 *	284TTDC4026	31	\$1,612	E2	E794	286TSTDP4038	32	\$1,875	E2	E905 *	184TTDR4027	30	\$425	E2
E725 *	286TTDC4026	32	\$1,875	E2	E795	445TTDS4086	33	\$10,479	E2	E906 *	213TTDBA4028	31	\$591	E2
E726 *	324TTDC4026	32	\$2,332	E2	E796	445TTDS4098	33	\$11,617	E2	E907 *	215TTDW4028	31	\$759	E2
E727 *	326TTDC4026	32	\$2,718	E2	E797	447TTDN4089	33	\$11,965	E2	E908 *	254TTDX4028	31	\$1,137	E2
E728 *	145TTDR4076	28	\$364	E2	E798	143TTDR4006	29, 89	\$309	E2	E909 *	256TTDX4027	31	\$1,388	E2
E729 *	182TTDR4076	29	\$400	E2	E799 *	182TTDR4083	29	\$400	E2	E910 *	284TTDP4029	31	\$1,612	E2
E730 *	184TTDR4076	30	\$514	E2	E800 *	284TTFPA4030	41, 45, 91	\$1,778	E1	E911 *	286TTDP4027	32	\$1,875	E2
E731 *	213TTDW4076	30	\$695	E2	E801 *	326STFPA4036	41, 45	\$3,595	E1	E912 *	143TTDR5351	28, 89	\$278	E2
E732 *	215TTDW4076	30	\$809	E2	E802 *	364TSTFS4026	41, 45	\$5,275	E1	E913 *	145TTDR5640	29, 89	\$303	E2
E733 *	254TTDX4076	31	\$1,012	E2	E803 *	404TTF654086	41, 45	\$6,508	E1	E914 *	145TTDR5665	29, 89	\$334	E2
E734 *	256TTDX4076	31	\$1,180	E2	E804 *	365TSTFS4026	42, 45	\$6,742	E1	E915 *	182TTDR4030	30, 89	\$391	E2
E735 *	284TTDP4076	31	\$1,697	E2	E805 *	365TTF654040	42, 45, 92	\$6,742	E1	E916 *	184TTDR4030	30, 89	\$425	E2
E736 *	286TTDP4076	31	\$2,082	E2	E806 *	405TTF654086	42, 45	\$7,821	E1	E917	143TTDR4005	29	\$309	E2
E737 *	324TTDP4076	32	\$2,470	E2	E807 *	405TSTFS4001	42, 46	\$9,016	E1	E918 *	184TTDR4178	30	\$514	E2
E738 *	326TTDP4076	32	\$2,825	E2	E808 *	405TSTFS4026	42, 46	\$8,132	E1	E919	145TTDR4003	30	\$382	E2
E739 *	364TTDC4036	32	\$3,332	E2	E809 *	444TTF654086	42, 46	\$11,007	E1	E921	365TTDS6060	58	\$4,746	E2
E740 *	365TTDC4036	32	\$4,058	E2	E810 *	444TSTFS4026	42, 46	\$10,490	E1	E922 *	404TTDS6060	58	\$5,852	E2
E741 *	404TTDS4036	33	\$5,175	E2	E811 *	445TSTFN4026	42, 46	\$12,758	E1	E923 *	405TTDS6060	58	\$7,408	E2
E742 *	405TTDS4036	33	\$6,196	E2	E812 *	445TSTFN4005	42, 46	\$18,811	E1	E924 *	444TTDS6060	58	\$8,748	E2
E743 *	444TTDS4036	33	\$8,949	E2	E813 *	445TSTFN4028	42, 46	\$15,500	E1	E925 *	445TTDS6060	58	\$10,087	E2
E744 *	445TTDS4036	33	\$11,305	E2	E814 *	449TTF654088	42, 46	\$16,787	E1	E926	445TTDS6061	58	\$13,375	E2
E745	445TTDS4037	33	\$16,712	E2	E815 *	324TTFPA4030	41, 45, 91	\$2,792	E1	E927 *	143TTDR6026	57	\$287	E2
E746 *	364TTDS4086	32	\$4,153	E2	E816 *	324STFPA4036	41, 45	\$2,792	E1	E928 *	145TTDR6026	57	\$313	E2



# Index

## Catalog Number/Model Number

CAT. NO.	MODEL NO.	PAGE NO.	LIST PRICE	MULT. SYMB.	CAT. NO.	MODEL NO.	PAGE NO.	LIST PRICE	MULT. SYMB.	CAT. NO.	MODEL NO.	PAGE NO.	LIST PRICE	MULT. SYMB.
E929 *	145TTDR6027	57	\$345	E2	F107	56C34T5302	135	\$268	F1	G167	56T34D5306	152	\$264	F1
E930 *	182TTDR6030	57	\$525	E2	F108	143CTR5301	135	\$540	S1	G168 *	56T17D5704	149	\$422	F1
E931 *	184TTDR6031	57	\$590	E2	F109	143CTR5302	135	\$661	F1	G169 *	56T17D5705	149	\$422	F1
E932	145TTDR4105	30, 89	\$382	E2	F110	145BTR5301	135	\$901	S1	G180 *	56T34D5307	150	\$294	F1
E933	182TTDR4104	30	\$438	E2	F120	56C34T160	135	\$242	F1	G181 *	56T17D5706	150	\$437	F1
E934	145TTDR4080	29, 89	\$364	E2	F121	56C34T159	135	\$276	F1	G182 *	56T17D5707	150	\$437	F1
E935 *	215TTDW4078	30	\$809	E2	F131 *	56C17F5358	184	\$325	F1	G183 *	56T34D5308	150	\$351	F1
E936	215TTDW4080	30, 89	\$809	E2	F132 *	56C17F5912	184	\$363	F1	G184	56T17D5708	150	\$450	F1
E937	184TTDR4103	30	\$567	E2	F133 *	56C17F5913	184	\$422	F1	G185	56T17D5709	150	\$450	F1
E938	184TTDR4105	30, 89	\$567	E2	F134 *	56C17F5914	184	\$454	F1	G186 *	56T34D5309	150	\$405	F1
E939	213TTDW4003	31	\$736	E2	F135 *	56B17F5584	184	\$545	F1	G201 *	56T17D2106	34	\$222	F1
E950 *	143TTFR4026	37	\$325	E8	F201 *	48C17F2000	185	\$286	F1	G203 *	56T17D2107	35	\$250	F1
E951 *	145TTFR4026	38	\$362	E8	F202 *	48C17F2001	185	\$314	F1	G205 *	56T34D5327	35	\$226	F1
E952 *	145TTFR4027	38	\$397	E8	F203 *	56C17F5356	185	\$371	F1	G207 *	56T17D2108	35	\$279	F1
E953 *	182TTFB4026	38	\$425	E8	F204 *	56C17F5357	185	\$416	F1	G209 *	56T34D5328	35	\$257	F1
E954 *	184TTFB4026	39	\$425	E8	F205 *	56B17F5331	185	\$501	F1	G212 *	56C17D2084	23	\$189	F1
E955 *	213TTFW4026	39	\$711	E8	G044 *	48T17D2000	28	\$182	F1	G216 *	56C34D2117	23	\$162	F1
E956 *	215TTFW4026	40	\$861	E8	G045		28	\$272	F1	G221 *	56T17D2109	35	\$284	F1
E957 *	365TTFS4036	42, 45	\$6,742	E1	G046	56T17D2128	28	\$212	F1	G223 *	56T34D5329	35	\$313	F1
E958 *	445TTFN4087	42, 46	\$14,751	E1	G047 *	56T17D2095	28	\$212	F1	G225 *	56T17D5318	35	\$314	F1
E959	405TTFS4036	42, 46	\$8,132	E1	G061	56T11D5301	28	\$289	F1	G227 *	56T34D5330	35	\$367	F1
E960 *	364TSTFS4001	41, 45	\$5,613	E1	G062 *	56T17D2114	28	\$239	F1	G229 *	56T17D5319	35	\$345	F1
E961 *	284TTFC4026	41, 45	\$1,778	E1	G063 *	56T17D2094	28	\$239	F1	G230 *	56C17D2085	23	\$222	F1
E962 *	326TTFC4026	41, 45	\$3,595	E1	G065 *	56T17D2112	28, 89	\$239	F1	G232 *	56C34D2108	23	\$179	F1
E963 *	184TTFR4001	39	\$555	E8	G067 *	56T11D5302	28	\$320	F1	G234 *	56C17D2044	23	\$261	F1
E964 *	286TSTFPA4001	41, 45	\$2,157	E1	G076 *	48C17D2033	20	\$175	F1	G238 *	56C34D2101	23	\$229	F1
E965 *	256TTFL14026	40	\$1,437	E8	G078 *	48C17D2034	20	\$189	F1	G240 *	56T34D5325	34	\$166	F1
E966 *	326TTFS4080	41, 45	\$3,772	E1	G080 *	56T34D5301	28	\$216	F1	G241 *	56T34D5326	35	\$188	F1
E967 *	182TTFR4001	38	\$449	E8	G082 *	56T17D2111	28	\$267	F1	G242 *	56T17D2115	35, 90	\$250	F1
E968 *	286TTFC4076	40, 45	\$2,547	E1	G084 *	56T17D2093	28	\$267	F1	G243 *	56T17D2116	35, 90	\$279	F1
E969 *	215TTFW4001	40	\$847	E8	G086 *	56T17D2110	28, 89	\$267	F1	G244 *	56T17D2127	35, 90	\$284	F1
E970 *	215TTFW4076	39	\$897	E8	G088	56T11D5303	28	\$330	F1	G245	56T17D2105	34	\$192	F1
E971 *	324TSTFPA4001	41, 45	\$2,829	E1	G091	48C34D2025	20	\$151	F1	G246		34	\$283	F1
E972 *	213TTFW4001	39	\$725	E8	G093 *	56C17D2087	20	\$212	F1	G247		34	\$300	F1
E973 *	256TTFL14076	39	\$1,505	E8	G094 *	56C17D2009	20	\$220	F1	G248	56T11D5311	35	\$330	F1
E974 *	256TTFL14001	40	\$1,543	E8	G095 *	56C17D2010	20	\$226	F1	G249		35	\$341	F1
E975 *	284TSTFPA4001	41, 45	\$1,957	E1	G096 *	56C11D2032	20	\$316	F1	G250 *	56B17D2011	23	\$320	F1
E976 *	326TSTFPA4001	41, 45	\$3,922	E1	G098 *	48C34D2023	20	\$168	F1	G254 *	56B34D2031	23	\$263	F1
E977 *	254TTFL14001	40	\$1,175	E8	G100 *	56T17D2101	150	\$322	F1	G256 *	56C17D5310	23	\$343	F1
E978 *	284TTFC4076	40, 45	\$2,132	E1	G101 *	56T17D2099	149	\$315	F1	G258 *	56B34D2023	23	\$341	F1
E979 *	145TTFR4076	37	\$414	E8	G106 *	56T17D2104	149	\$260	F1	G270 *	56C17D5311	23	\$399	F1
E980 *	213TTFW4076	39	\$624	E8	G107 *	56T17D2097	149	\$288	F1	G272 *	56B34D5319	23	\$418	F1
E981 *	445TSTFN4001	42, 46	\$15,054	E1	G109 *	56T17D2096	149	\$244	F1	G274 *	56B17D5303	23	\$487	F1
E982 *	182TTFR4076	38	\$428	E8	G114 *	48C17D2036	22, 147	\$162	F1	G278 *	56C11D5304	23, 145	\$417	F1
E983 *	286TTFC4026	41, 45	\$2,159	E1	G115 *	48C17D2018	22, 147	\$171	F1	G287		35	\$367	F1
E984 *	324TTFC4026	41, 45	\$2,792	E1	G120 *	56T17D2100	150	\$280	F1	G288		35	\$421	F1
E985 *	364TTFC4036	41, 45	\$5,275	E1	G122 *	56T17D5329	150	\$310	F1	G289 *	56T34D5339	35	\$412	F1
E986 *	445TTFN4036	42, 46	\$12,758	E1	G126 *	56T17D5330	150	\$352	F1	G290	56B17D5328	190	\$445	F1
E987 *	444TTFS4036	42, 46	\$10,490	E1	G127 *	56T17D5332	150	\$339	F1	G294	56B34D5307	190	\$464	F1
E988 *	364TTFS4086	41, 45	\$4,822	E1	G128 *	56T17D5333	150	\$383	F1	G301 *	56T11F5300	37	\$297	F1
E989 *	445TTFN4038	42, 46	\$15,500	E1	G135 *	56C17D2088	22, 147	\$207	F1	G303 *	56T17F2034	37	\$224	F1
E991 *	365TSTFS4001	42, 45	\$6,682	E1	G140 *	56T17D5345	149	\$301	F1	G304 *	56T17F2043	37, 90	\$224	F1
E992 *	444TSTFS4001	42, 46	\$12,569	E1	G141 *	56T17D5346	149	\$329	F1	G306 *	56T11F5301	37	\$314	F1
E993 *	365TTFS4086	41, 45	\$5,632	E1	G142 *	56T17D5347	150	\$335	F1	G307		37	\$189	F1
E994 *	145TTFR4001	38	\$397	E8	G143 *	56T17D5348	150	\$366	F1	G308 *	56T34F5328	37	\$203	F1
E995 *	184TTFR4076	38	\$470	E8	G144 *	56T17D5349	150	\$405	F1	G309 *	56T34F5333	37, 90	\$203	F1
E996 *	254TTFL14026	40	\$1,167	E8	G145 *	56T17D5350	150	\$426	F1	G312 *	56C17F2054	24	\$205	F1
E997	254TTFL14030	40, 91	\$1,167	E8	G151 *	56C17D2025	22, 147	\$246	F1	G314 *	56C17F2052	24	\$220	F1
E998 *	256TTFL14030	40, 91	\$1,437	E8	G156 *	56B17D2012	22, 147	\$303	F1	G316 *	56C11F5300	24	\$311	F1
E999 *	284TSTFPA4036	41, 45	\$1,778	E1	G160	56T17D5700	149	\$327	F1	G321 *	56T17F2035	37	\$250	F1
F101 *	56C17F5324	184	\$266	F1	G161	56T17D5701	152	\$327	F1	G322 *	56T17F2044	37, 90	\$250	F1
F102 *	56C17F5325	184	\$304	F1	G162	56T17D2121	149	\$216	F1	G324 *	56T11F5302	37	\$345	F1
F103 *	56C17F5326	184	\$363	F1	G164 *	56T34D5305	149	\$226	F1	G326 *	56T34F5329	37	\$242	F1
F104 *	56C17F5327	184	\$395	F1	G165 *	56T17D5702	149	\$355	F1	G327 *	56T34F5334	37, 90	\$242	F1
F105 *	56B17F5307	184	\$486	F1	G166 *	56T17D5703	149	\$355	F1	G328	56T17F2045	37	\$276	F1

\*Stock Model

SB300 - Prices and Specifications are subject to change without notice.

## Catalog Number/Model Number

CAT. NO.	MODEL NO.	PAGE NO.	LIST PRICE	MULT. SYMB.	CAT. NO.	MODEL NO.	PAGE NO.	LIST PRICE	MULT. SYMB.	CAT. NO.	MODEL NO.	PAGE NO.	LIST PRICE	MULT. SYMB.
G329 *	56T17F2037	37	\$276	F1	G533 *	56B34F5319	26	\$445	F1	G827 *	56T17E5310	84	\$476	F1
G330 *	56C17F2040	24	\$229	F1	G534 *	56C34T2004	26	\$192	F1	G828 *	56T17E5311	84	\$503	F1
G331 *	56C17F2048	24	\$239	F1	G541 *	56T17F5311	48	\$341	F1	G829 *	56T17G5315	84	\$530	F1
G332 *	56C17F2049	24	\$253	F1	G544 *	56T17F5312	48	\$368	F1	G840 *	56T17G5316	84	\$559	F1
G333 *	56C11F5301	24	\$350	F1	G547 *	56T17F2042	48	\$222	F1	G841 *	56T17G5317	84	\$566	F1
G337 *	56C17F2041	24	\$258	F1	G548 *	56T17F5320	48, 92	\$341	F1	G842 *	56T17E5312	84, 99	\$476	F1
G338 *	56C17F2050	24	\$274	F1	G549 *	56T17F5329	48, 92	\$368	F1	G843 *	56T17E5313	84, 99	\$503	F1
G339 *	56C17F2051	24	\$291	F1	G550 *	56C17F2044	26	\$253	F1	G844 *	56T17G5318	84, 99	\$530	F1
G340 *	56T17F2046	37, 90	\$276	F1	G551 *	56C17F2045	26	\$291	F1	G845 *	56T17G5319	84, 99	\$559	F1
G342 *	56T11F5303	37	\$357	F1	G552 *	56C17F5318	26	\$350	F1	G846 *	56T17G5320	84, 99	\$566	F1
G344 *	56T34F5330	37	\$272	F1	G553 *	56C17F5319	26	\$374	F1	G852 *	56C17E5319	79	\$433	F1
G345 *	56T34F5335	37, 90	\$272	F1	G559 *	56C34F5329	26	\$213	F1	G853 *	56C17G5320	79	\$488	F1
G347 *	56T17F5302	37	\$289	F1	G560 *	56T17F2052	50	\$253	F1	G854 *	56C34G5311	79	\$440	F1
G348 *	56T17F5307	37, 90	\$289	F1	G561 *	56T17F2039	50	\$280	F1	G855 *	56C17G5321	79	\$531	F1
G350 *	56B11F5300	24	\$443	F1	G562 *	56T17F2040	50	\$309	F1	G856 *		79	\$495	F1
G352 *	56C34F5308	24	\$243	F1	G563 *	56T17F5315	50	\$314	F1	G857 *	56C17G5322	79	\$595	F1
G354 *	56C17F5306	24	\$318	F1	G564 *	56T17F5316	51	\$345	F1	G858 *	56C34G5316	79	\$533	F1
G355 *	56C17F5307	24	\$336	F1	G565 *	56T17F2051	50	\$226	F1	G870 *	56C17G5323	79	\$621	F1
G356 *	56C17F5308	24, 191	\$357	F1	G569 *	56T34F5308	50	\$218	F1	G871 *	56C17G5324	79	\$469	F1
G357 *	56B11F5301	24	\$529	F1	G570 *	56C17F5320	27	\$259	F2	G872 *	56C17G5328	79	\$536	F1
G359 *	56C34F5310	25	\$279	F1	G571 *	56C17F5321	27	\$297	F2	G873 *	56C34G5314	79	\$499	F1
G360 *	56T11F5304	37	\$382	F1	G572 *	56C17F5322	27	\$357	F2	G874 *	56C17G5326	79	\$600	F1
G363 *	56T34F5336	38, 91	\$328	F1	G573 *	56C17F5323	27	\$380	F2	G875 *		79	\$539	F1
G365 *	56T17F5303	38	\$330	F1	G574 *	56B17F5305	27	\$436	F2	G876 *	56C17G5327	79	\$636	F1
G368 *	56T34F5337	38, 91	\$382	F1	G575 *	56B17F5306	27	\$546	F2	G905 *	56T17D5336	28	\$296	F1
G369 *	56T17F5326	38	\$368	F1	G576 *	56C11F5303	27	\$371	F2	G908 *	56T17D5339	28	\$324	F1
G371 *	56C17F5309	25	\$358	F1	G577 *	56C11F5302	27	\$333	F2	G910 *	56C17D2011	20	\$237	F1
G372 *	56C17F5310	25	\$367	F1	G578 *	56B11F5303	27	\$453	F2	G911 *	56C17D2012	20	\$259	F1
G373 *	56C17F5311	25, 191	\$374	F1	G579 *	56B11F5302	27	\$566	F2	G912 *	56C17D2013	20, 180	\$266	F1
G374 *	56B34F5320	25	\$357	F1	G580 *	56T17T5305	50	\$260	F2	G913 *	56C11D5301	20	\$405	F1
G376 *	56B17F5300	25	\$408	F1	G581 *	56T17F5321	50	\$288	F2	G915 *	56C34D2100	20	\$218	F1
G377 *	56B17F5301	25	\$422	F1	G582 *	56T17F5322	50	\$315	F2	G917 *	56B17D2008	20	\$297	F1
G378 *	56B17F5302	25, 191	\$429	F1	G583 *	56T17F5323	50	\$322	F2	G918 *	56B17D2009	20	\$317	F1
G379 *	56C34F5309	24, 191	\$259	F1	G584 *	56T17F5324	51	\$352	F2	G919 *	56B17D2010	20	\$324	F1
G380 *	56C17F5957	191	\$330	F1	G585 *	56T17F5325	51	\$383	F2	G921 *	56T17D5342	28	\$330	F1
G381 *	56C17F5955	191	\$395	F1	G586 *	56T11F5311	50	\$321	F2	G923 *	56T17D5344	29	\$361	F1
G382 *	56C17F5956	191	\$413	F1	G587 *	56T11F5310	50	\$338	F2	G930 *	56C11D5302	20	\$518	F1
G383 *	56T34F5331	38	\$328	F1	G588 *	56T11F5309	50	\$368	F2	G932 *	56B34D2030	20	\$247	F1
G384 *		38	\$382	F1	G589 *	56T11F5308	50	\$379	F2	G934 *	56C17D5303	20	\$316	F1
G385 *	56T34F5338	38	\$428	F1	G590 *	56T17F5355	51	\$430	F2	G935 *	56C17D5304	20	\$341	F1
G386 *		38, 91	\$428	F1	G591 *	56T17F5356	51, 93	\$430	F2	G936 *	56C17D5305	20, 180	\$353	F1
G387 *	56T17F5327	39	\$391	F1	G639 *	56C17E5314	78	\$417	F1	G937 *	56B34D2026	20	\$330	F1
G390 *	56C34F5311	25, 191	\$293	F1	G646 *	56T17E5308	83	\$510	F1	G939 *	56C17D5306	20	\$382	F1
G391 *	56B34F5321	25	\$384	F1	G647 *	56T17E5309	83	\$543	F1	G950 *	56C17D5307	20	\$397	F1
G392 *	56B34F5323	25	\$434	F1	G648 *	56T34G5303	83	\$499	F1	G951 *	56C17D5308	20, 180	\$414	F1
G393 *	56C34F5307	24	\$213	F1	G649 *	56T17G5312	83	\$573	F1	G952 *	56B34D5321	20	\$397	F1
G396 *	56B17F5310	191	\$471	F1	G650 *	56C11G5306	78	\$558	F1	G958 *	56B17D5323	190	\$429	F1
G502 *	56T17F2041	48	\$237	F1	G651 *	56C17G5315	78	\$476	F1	G961 *	56T17D2118	103, 149	\$243	F1
G503 *	56T17F2048	48, 92	\$237	F1	G652 *	56C11G5307	78	\$600	F1	G962 *	56T17D2119	103, 150	\$272	F1
G507 *	56T17F2036	48	\$276	F1	G653 *	56C34G5308	78	\$428	F1	G963 *	56T17D2120	103, 150	\$279	F1
G508 *	56T17F2049	48, 92	\$276	F1	G654 *	56C17G5316	78	\$520	F1	G964 *	56T17D2117	103, 149	\$216	F1
G511 *	56C17T2002	26	\$216	F1	G655 *	56B11G5301	78	\$691	F1	G965 *	56T17D5357	103, 150	\$351	F1
G513 *	56C17F2042	26	\$249	F1	G656 *	56C34G5309	78	\$483	F1	G966 *	56T17D2098	150	\$273	F1
G514 *	56C34F5322	26	\$209	F1	G657 *	56C17G5317	78	\$584	F1	G967 *	56T17D5385	103, 150	\$382	F1
G515 *	56C17F2043	26	\$287	F1	G658 *	56C34G5310	78	\$521	F1	G976 *	56B34D5304	190	\$449	F1
G516 *	56C34F5323	26	\$255	F1	G659 *	56C17G5318	78	\$610	F1	G979 *	56B17D5319	190	\$566	F1
G517 *	56C17F5314	26	\$345	F1	G660 *	56T34G5304	83	\$547	F1	G986 *		20	\$342	F1
G518 *	56C34F5324	26	\$289	F1	G661 *	56T17G5313	83	\$605	F1	G987 *	56B34D2021	190	\$363	F1
G519 *	56C17F5315	26	\$368	F1	G662 *	56T34G5305	83	\$581	F1	G996 *	56B34D5334	190	\$576	F1
G522 *	56T17F2038	48	\$304	F1	G663 *	56T17G5314	83	\$611	F1	G997 *		20	\$276	F1
G523 *	56T17F2050	48, 92	\$304	F1	G664 *	56T17E5314	83, 98	\$510	F1	H119 *	445TSTD57001	33	\$13,478	E6
G527 *	56T17F5310	48	\$311	F1	G665 *	56T17E5315	83, 98	\$543	F1	H149 *	445TTDS7372	33	\$11,662	E6
G528 *	56T17F5319	48, 92	\$311	F1	G666 *	56T17G5321	83, 98	\$573	F1	H150 *	143TTDR5376	28	\$300	E6
G530 *	56B34F5329	26	\$367	F1	G667 *	56T17G5322	83, 98	\$605	F1	H178 *	447TSTDN7001	33, 130	\$15,826	E6
G531 *	56B17F5303	26	\$425	F1	G668 *	56T17G5323	83, 98	\$611	F1	H180 *	143TTDR5401	28	\$389	E6

# Index

## Catalog Number/Model Number

CAT. NO.	MODEL NO.	PAGE NO.	LIST PRICE	MULT. SYMB.	CAT. NO.	MODEL NO.	PAGE NO.	LIST PRICE	MULT. SYMB.	CAT. NO.	MODEL NO.	PAGE NO.	LIST PRICE	MULT. SYMB.
H181 *	145TTDR5401	28	\$442	E6	H698	213TTDW7078	30	\$482	E6	I221 *	145TBFR5303	25	\$434	S1
H182	182TTDR7101	29	\$478	E6	H699	215TTDW7078	30	\$666	E6	I223 *	184TBFR7701	25	\$853	S1
H183	184TTDR7101	29	\$580	E6	H700 *	143TTFR5376	37	\$347	E6	I224 *	213TBF7001	25	\$1,145	S1
H184	213TTDW7101	30	\$763	E6	H710	182TFR7726	39, 180	\$448	E6	I225 *	215TBF7001	25	\$1,395	S1
H185	215TTDW7101	30	\$953	E6	H803 *	56T17D5398	30	\$364	F1	I305	184TBDR7628	190	\$689	F1
H186 *	254TTDX7101	30	\$1,317	E6	H812 *	447TSTDN7026	33, 130	\$12,937	E6	I308	184TBDR7634	190	\$949	F1
H187 *	256TTDX7101	30	\$1,674	E6	H813 *	447TSTDN7027	33, 130	\$14,278	E6	I311	145TBFR5333	191	\$666	S1
H188	284TTPDP7101	31	\$1,986	E6	H814 *	447TSTDN7028	33, 130	\$15,153	E6	I314 *	184TBFR7041	184, 191	\$838	S1
H189	286TTPDP7101	31	\$2,611	E6	H815	449TSTDN7026	33, 130	\$15,851	E6	I315 *	184TBFR7034	184, 191	\$1,000	S1
H190		31	\$3,143	E6	H816	449TSTDN7027	33, 130	\$17,076	E6	I700 *	145TBFR5334	25	\$530	S1
H191	326TTPDP7101	32	\$3,724	E6	H817 *	447TSTDN7005	33, 130	\$20,626	E6	I702 *	145TBFR5336	191	\$550	S1
H192	445TSTDS7362	33	\$11,662	E6	H818 *	449TSTDN7001	33, 130	\$21,030	E6	I704		191	\$778	S1
H193 *	447TSTDN7003	33, 130	\$18,128	E6	H819 *	449TSTDN7003	33, 130	\$22,862	E6	I706		191	\$961	S1
H274	256TFL15027	40	\$1,349	E6	H820	449TSTDN7086	33	\$15,304	E6	I707	143TBFR5376	24	\$553	S1
H350 *	143TTGN7076	80	\$674	E7	H821	449TSTDN7087	33	\$20,546	E6	J009 *	56C34D2097	126, 164	\$157	F1
H457 *	143TTFN8076	37, 44	\$347	E6	H822	447TSTDN7087	33	\$13,179	E6	J013 *	56C34D2103	126, 164	\$184	F1
H502 *	449TTGS7068	82	\$23,450	E7	H952	145TTDR5647	170	\$426	E6	J017 *	56C34D1173	126, 164	\$207	F1
H503	449TTGS7037	82	\$26,115	E7	H953	182TTDR8353	170	\$474	E6	J019 *	56B34D2025	126, 164	\$283	F1
H504	449TTGS7036	82	\$29,288	E7	H954 *	184TTDR9040	170	\$603	E6	J021 *	56B34D5325	126, 164	\$351	F1
H513	449TSTGS7003	82	\$28,379	E7	H955 *	213TTDW7053	170	\$792	E6	J023 *	56B34D5327	126, 164	\$557	F1
H580	449TSTGS8003	88	\$27,720	E7	H956 *	215TTDW7053	170	\$942	E6	J025 *	56C34D2111	126, 164	\$143	F1
H581	449TSTGS8038	88	\$22,807	E7	H957 *	254TTDX8338	170	\$1,247	E6	J033 *	56C34D2110	126	\$151	F1
H582		88	\$25,507	E7	I101	143TCDR5303	20	\$342	S1	J034 *	56C34D2096	126	\$164	F1
H583		88	\$28,000	E7	I102 *	145TBDR5302	20	\$408	S1	J035 *	56C34D2102	126	\$192	F1
H601 *	143TTDR5327	28	\$246	E6	I103 *	182TCDR7001	20	\$509	S1	J036 *	56C34D1172	126	\$213	F1
H603	143TTDR5305	29	\$275	E6	I104 *	184TCDR7001	21	\$684	S1	J037 *	56B34D2024	126	\$300	F1
H604 *	145TTDR5327	29	\$270	E6	I105 *	213TCDW7001	21, 181	\$974	S1	J038 *	56B34D5326	126	\$368	F1
H606		29	\$324	E6	I106	215TCDW17002	21	\$1,249	S1	J039 *	56B34D5328	126	\$587	F1
H607 *	145TTDR5332	29	\$297	E6	I108 *	184TBDR7001	21	\$947	S1	J040 *	56T34D5347	127	\$166	F1
H609	145TTDR5310	30	\$364	E6	I110 *	143TCDR5326	20	\$321	S1	J041 *	56T34D5348	127	\$188	F1
H610	182TTDR7627	30	\$332	E6	I111 *	145TCDR5326	20	\$388	S1	J042 *	56T34D5349	127	\$226	F1
H612 *	182TTDR7910	30	\$442	E6	I112 *	182TCDR7026	20	\$453	S1	J043 *	56T34D5350	127	\$257	F1
H613 *	184TTDR7627	30	\$374	E6	I113 *	184TCDR7026	20	\$529	S1	J044 *	56T34D5351	127	\$313	F1
H615	184TTDR7625	30	\$526	E6	I114 *	184TBDR7026	21	\$642	S1	J045 *	56T34D5352	127	\$367	F1
H616 *	213TTDW7028	31	\$537	E6	I115 *	215TBWD7026	21, 181	\$961	S1	J046 *	56T34D5353	127	\$412	F1
H618	213TTDW7003	31	\$679	E6	I116 *	215TBWD7028	21, 181	\$1,237	S1	J047	56T34D5368	127	\$170	F1
H619 *	215TTDW7028	31	\$679	E6	I117	213TCDW7026	21	\$874	S1	J048 *	56T34D5367	127	\$192	F1
H621 *	215TTDW7003	31	\$897	E6	I118 *	145TBDR5326	20	\$405	S1	J049 *	56T34D5365	127	\$230	F1
H622 *	254TTDX7028	31	\$891	E6	I119 *	184TBDR7375	181, 190	\$829	S1	J050 *	56T34D5366	127	\$261	F1
H623 *	254TFL17039	40	\$1,067	E6	I127 *	145TBDR5337	20, 180, 190	\$497	S1	J051 *	56T34D5369	127	\$317	F1
H624 *	254TTDX7003	31	\$1,083	E6	I128 *	184TBDR7631	190	\$580	S1	J052 *	56T34D5370	127	\$371	F1
H625 *	256TTDX7358	31	\$1,109	E6	I130 *	184TBDR7630	190	\$629	F1	J053 *	56T34D5371	127	\$416	F1
H627 *	256TTDX7024	31	\$1,321	E6	I131	184TBDR7632	190	\$837	S1	J054 *	56C34D2118	126	\$155	F1
H628 *	284TTPDP7644	31	\$1,307	E6	I141	182TCDR17079	20	\$537	S1	J055 *	56C34D2119	126	\$168	F1
H629		31	\$1,307	E6	I142	184TCDR7076	20	\$668	S1	J056 *	56C34D2120	126	\$196	F1
H631 *	284TSTDP7025	32	\$1,500	E6	I143	213TCDW7076	20	\$830	S1	J057 *	56C34D2121	126	\$218	F1
H632 *	286TTPDP7641	32	\$1,526	E6	I144	215TBWD7079	20	\$1,143	S1	J058 *	56B34D2033	126	\$304	F1
H633		32	\$1,526	E6	I145	145TBDR5303	20	\$442	S1	J059 *	56B34D5341	126	\$374	F1
H635	286TSTDP7025	32	\$2,042	E6	I146 *	145TCDR5331	22, 148	\$392	S1	J060	56T34T5308	128	\$209	F1
H636 *	324TTPDP7649	32	\$1,903	E6	I147 *	145TBDR5345	22, 148	\$412	S1	J061 *	56T34F5342	128	\$230	F1
H637		32	\$1,903	E6	I201 *	145TBFR5327	25	\$474	S1	J062 *	56T34F5343	128	\$270	F1
H639	324TSTDP7017	32	\$2,517	E6	I202		25	\$449	S1	J063 *	56T34F5344	128	\$300	F1
H640 *	326TTPDP7626	32	\$2,221	E6	I203		25	\$461	S1	J064 *	56T34F5345	128	\$361	F1
H641		32	\$2,221	E6	I204	145TBFR5301	25	\$591	S1	J065 *	56T34F5346	128	\$414	F1
H643		32	\$3,016	E6	I205	145TBFR5302	25	\$636	S1	J066 *	56T34F5347	128	\$472	F1
H664 *	143TTFR5327	37	\$286	E6	I206 *	182TBFR5301	25	\$668	S1	J070 *	56A34DB11011	125	\$211	F1
H665 *	145TTFR5328	38	\$317	E6	I210 *	143TCFR5326	25	\$374	S1	J071 *	56A34DB11001	125	\$211	F1
H666 *	145TTFR5330	38	\$349	E6	I211 *	145TBFR5326	25	\$421	S1	J072 *	56A34DB11004	125	\$251	F1
H668 *	184TTFR7727	39	\$453	E6	I212 *	182TBFR5326	25	\$576	S1	J073 *	56A34DB11013	125	\$251	F1
H669 *	213TTFW7028	39	\$650	E8	I213 *	184TCFR7726	25	\$684	S1	J074 *	56A34DB11003	125	\$278	F1
H670 *	215TTFW7028	40	\$808	E6	I214 *	184TBFR7726	25	\$842	S1	J075 *	56A34DB11012	125	\$278	F1
H678	145TTDR5379	28	\$324	E6	I215 *	215TBF7026	25	\$1,118	S1	J076 *	56A34DB11002	125	\$331	F1
H679	182TTDR7095	29	\$357	E6	I216 *	213TBF7026	25	\$908	S1	J077 *	56A34DB11014	125	\$331	F1
H681	145TTDR5337	30	\$322	E6	I217 *	215TBF7027	25	\$1,434	S1	J078 *	56A34DB11015	125	\$396	F1
H697	184TTDR7097	30	\$364	E6	I220 *	143TBFR5301	25	\$397	S1	J079 *	56A34DB11010	125	\$396	F1

\*Stock Model

SB300 - Prices and Specifications are subject to change without notice.

## Catalog Number/Model Number

CAT. NO.	MODEL NO.	PAGE NO.	LIST PRICE	MULT. SYMB.	CAT. NO.	MODEL NO.	PAGE NO.	LIST PRICE	MULT. SYMB.	CAT. NO.	MODEL NO.	PAGE NO.	LIST PRICE	MULT. SYMB.
J080	56A34DB11009	125	\$211	F1	K420	48T17F2000	37	\$207	F1	L467 *	449TTFS8036	43, 46	\$22,844	E9
J081 *	56A34DB11008	125	\$251	F1	K421		37	\$233	F1	L469	449TFS8039	43, 46	\$24,245	E9
J082 *	56A34DB11007	125	\$278	F1	K422		37	\$261	F1	L471	449TTFS18105	43, 46	\$21,616	E6
J083 *	56A34DB11006	125	\$331	F1	K423		37	\$289	F1	L472	449TTFS18043	43, 46	\$19,903	E9
J084 *	56A34DB11005	125	\$396	F1	K612 *	56B34F5306	191	\$412	F1	L631	182TTDR5302	30	\$442	E6
K000 *	56T34D5302	28	\$246	F1	K615 *	56B34F5312	191	\$489	F1	L633 *	182TTFR5327	39	\$389	E6
K003	56T17D2113	28	\$274	F1	K618 *	56B34F5318	191	\$617	F1	L909	184TTFR9339	39, 180	\$521	E6
K004 *	56T17D2092	28	\$274	F1	K619		26	\$259	F1	L910	213TTFW7326	39, 180	\$748	E6
K007	56T11D5304	28	\$357	F1	K630		26	\$293	F1	L911	215TTFW7326	40, 180	\$929	E6
K009 *	56T34D5303	29	\$303	F1	K631	56B34F5324	26	\$371	F1	L912	254TTFL17038	40, 180	\$1,227	E6
K016 *	56B17D56	180, 190	\$324	F1	K700	56T11F5328	51	\$430	F2	L913	256TTFL17036	40, 180	\$1,551	E6
K021		29	\$304	F1	K701 *	56T11F5307	50	\$405	F2	M101	143TTDR5338	121	\$263	S2
K022 *	56T17D5309	29	\$304	F1	K702 *	56T34T5309	50, 93	\$203	F2	M102	143TTDR5337	121	\$301	S2
K025 *	56T34D5304	29	\$357	F1	K703 *	56T17T5316	50, 93	\$260	F2	M103	143TTDR5307	121	\$300	S2
K027	56T34D5300	28	\$176	F1	K704 *	56T34F5348	50, 93	\$226	F2	M104		121	\$339	S2
K032	56C17E5302	78, 149	\$350	F1	K705 *	56T17F5336	50, 93	\$288	F2	M105 *	145TTDR5354	121	\$287	S2
K033 *	56C11G5303	78, 149	\$481	F1	K706 *	56T34F5349	50, 93	\$264	F2	M106		121	\$325	S2
K037	56C17G5308	78, 149	\$457	F1	K707 *	56T17F5337	50, 93	\$315	F2	M107		121	\$337	S2
K041 *	56T17D5310	29	\$334	F1	K708 *	56T34F5350	50, 93	\$294	F2	M108		121	\$376	S2
K047		29	\$411	F1	K709 *	56T17F5338	50, 93	\$322	F2	M109 *	145TTDR5356	121	\$300	S2
K048	56T34D5340	30	\$397	F1	K721 *	56T34F5351	51, 93	\$351	F2	M110	145TTDR5355	121	\$339	S2
K049 *	56T17D2130	28, 89	\$274	F1	K722 *	56T17F5339	51, 93	\$352	F2	M111 *	145TTDR5319	122	\$378	S2
K061 *	56T17D5369	29, 89	\$304	F1	K723 *	56T34F5352	51, 93	\$405	F2	M112		122	\$417	S2
K062 *	56T17D5370	29, 89	\$334	F1	K724 *	56T17F5340	51, 93	\$383	F2	M113	182TTDR7356	122	\$367	S2
K063 *	56T17D3301	28	\$351	F1	K725 *	56T34F5353	51, 93	\$450	F2	M114 *	182TTDR7605	122	\$468	S2
K064 *	56T17D3302	29	\$372	F1	K803 *	56T34F5310	50	\$287	F1	M115 *	184TTDR7358	122	\$453	S2
K065 *	56T17D3303	29	\$399	F1	K806	56T17F5330	51	\$384	F1	M116 *	184TTDR7604	122	\$543	S2
K066 *	56T17D3304	30	\$408	F1	K900		30	\$429	F1	M117 *	213TTDW7049	122	\$654	S2
K067 *	56T17D3305	28	\$364	F1	L102 *	182TTDR5327	30	\$332	E6	M118 *	213TTDW7024	123	\$699	S2
K068 *	56T17D3306	29	\$382	F1	L105	182TTDR5335	30	\$392	E6	M119 *	215TTDW7049	123	\$776	S2
K069 *	56T17D5307	29	\$412	F1	L409 *	182TTFS8101	37, 44	\$661	E6	M120 *	215TTDW7024	123	\$863	S2
K073		20	\$417	F1	L410 *	184TTF8102	38, 44	\$762	E6	M121 *	254TTDX7042	123	\$1,049	S2
K080 *	56T17D3308	30	\$421	F1	L411 *	213TTF8103	38, 44	\$1,070	E6	M122 *	254TTDX7043	123	\$1,197	S2
K081	056T17D15538	28, 89	\$351	F1	L412 *	254TTFPA8102	39, 44	\$1,924	E6	M123 *	254TTDX7007	123	\$1,089	S2
K083		29, 89	\$368	F1	L413 *	256TTFPA8102	39, 44	\$2,449	E6	M124 *	256TTDX7054	123	\$1,266	S2
K084		29, 89	\$399	F1	L414 *	284TTFPA8102	40, 45	\$2,902	E6	M125 *	256TTDX7009	123	\$1,282	S2
K085		28	\$372	E2	L415 *	286TTFPA8102	40, 45	\$3,813	E6	M126 *	284TTPDP7072	124	\$1,532	S2
K086		29	\$389	F1	L416 *	324TTFPA8104	40, 45	\$4,595	E6	M127 *	284TTPDP7302	124	\$1,562	S2
K087		29	\$420	F1	L417 *	326TTFPA8107	41, 45	\$5,442	E6	M128 *	286TTPDP7054	124	\$1,729	S2
K088		29	\$420	F1	L420 *	364TTF8101	41, 45	\$6,105	E6	M129 *	286TTPDP7018	124	\$1,957	S2
K089		30	\$429	F1	L421 *	215TTF8101	39, 44	\$1,394	E6	M130 *	324TTPDP7073	124	\$2,311	S2
K136 *	56C34D5314	22, 147	\$266	F1	L425 *	365TTF8115	41, 45	\$7,563	E6	M131 *	326TTPDP7330	124	\$2,668	S2
K152 *	56B34D5320	22, 148	\$421	F1	L426 *	404TTF8102	41, 45	\$9,010	E6	M1314*	182TTDB7350	115	\$447	S2
K212	56B34D2018	190	\$380	F1	L427 *	405TTF8114	41, 45	\$10,448	E6	M1315*	182TTDB7325	115	\$468	S2
K219	56B34D5336	190	\$591	F1	L428 *	444TTF8106	42, 45	\$13,915	E6	M1316*	182TTDB7601	115	\$549	S2
K232 *	56B17D5322	190	\$554	F1	L429 *	445TTFN8115	42, 46	\$17,581	E6	M1319*	184TTDB7322	115	\$543	S2
K233		23	\$524	F1	L440	445TTFN8102	42, 46	\$20,442	E6	M1320*	184TTDB7325	115	\$622	S2
K234	56C17D2114	24	\$203	F1	L442	449TTFS8111	42, 46	\$23,061	E6	M1322*	213TTDBA7048	115	\$758	S2
K235 *	56C17D2115	24	\$236	F1	L449 *	449TTFS8110	42, 46	\$23,456	E6	M1323*	213TTDBA7022	115	\$699	S2
K236 *	56C17D2116	24	\$274	F1	L450	445TSTFN8007	43, 46	\$21,734	E9	M1327*	215TTDBA7022	116	\$863	S2
K237 *	56B17D2015	24	\$333	F1	L451 *	449TSTFS8003	43, 46	\$21,734	E9	M133 *	324TTPDP8610	124	\$2,504	S2
K316		191	\$530	F1	L452 *	445TTFN8040	43, 46	\$17,695	E9	M163	184TTDR8039	122	\$532	S2
K319 *	56B17F5319	184, 191	\$559	F1	L453	445TTFN8041	43, 46, 92	\$17,695	E9	M164		122	\$622	S2
K332	56B34F5303	191	\$397	F1	L454 *	449TTFS8038	43, 46	\$17,695	E9	M165	213TTDW7050	122	\$758	S2
K335		191	\$434	F1	L455	449TTFS8028	43, 46	\$17,695	E9	M166	213TTDW7025	123	\$801	S2
K338		191	\$603	F1	L456 *	449TTF8087	43, 46	\$19,767	E9	M167	215TTDW7050	123	\$879	S2
K339	56C34F5327	24	\$199	F1	L457	449TTF8077	43, 46	\$19,767	E9	M168	215TTDW7025	123	\$967	S2
K350	56B34F5322	25	\$418	F1	L459 *	449TSTFS8002	43, 46	\$26,904	E9	M169		123	\$1,238	S2
K401		48	\$309	F1	L460 *	445TTFN8042	43, 46	\$19,903	E9	M170 *	182TTDR5338	122	\$351	S2
K402		48	\$326	F1	L461	445TTFN8043	43, 46, 92	\$19,903	E9	M171	182TTDR5339	122	\$430	S2
K403		48	\$357	F1	L462 *	449TTFS8037	43, 46	\$19,903	E9	M172 *	182TTDR5305	122	\$453	S2
K404	56T11F5320	48	\$367	F1	L463 *	449TTF8027	43, 46	\$19,903	E9	M173		122	\$532	S2
K405	56T17F2047	48, 92	\$222	F1	L464 *	449TTF8086	43, 46	\$22,959	E9	M213 *	254TTFL5003	124	\$1,080	S2
K406 *	56T17F5328	48	\$453	F1	L465 *	449TTF8076	43, 46	\$22,959	E9	M216 *	184TTFR8914	124	\$624	S2
K407	56T11F5321	48	\$392	F1	L466 *	449TSTFS8001	43, 46	\$30,903	E9	M217 *	215TTFW7024	124	\$1,028	S2

\*Stock Model



# Index

## Catalog Number/Model Number

CAT. NO.	MODEL NO.	PAGE NO.	LIST PRICE	MULT. SYMB.	CAT. NO.	MODEL NO.	PAGE NO.	LIST PRICE	MULT. SYMB.	CAT. NO.	MODEL NO.	PAGE NO.	LIST PRICE	MULT. SYMB.
M301	143TTDR5336	114	\$263	S2	M423	184TFFR5302	118	\$567	S2	M864	508UTDS708	132	\$27,077	S5
M302	143TTDR5334	114	\$301	S2	M800		131	\$925	S5	M865		132	\$20,690	S5
M303	143TTDR5309	114	\$300	S2	M801	182TTDR8652	131	\$809	S5	M866	505UTDS953	132	\$17,461	S5
M304	143TTDR5310	114	\$339	S2	M802	213TTDW7089	131	\$1,262	S5	M867	505UTDS682	132	\$26,095	S5
M305	145TTDR5348	114	\$287	S2	M803	182TTDR8724	131	\$1,296	S5	M868	505UTDS709	132	\$32,024	S5
M306	145TTDR5346	114	\$325	S2	M804	184TTDR9639	131	\$1,245	S5	M869	505UTDS307	132	\$24,762	S5
M307	145TTDR5313	114	\$337	S2	M805	215TTDW7380	131	\$1,782	S5	M870	505UTDS956	132	\$20,301	S5
M308	145TTDR5314	114	\$376	S2	M806		131	\$1,620	S5	M871	508UTDS683	132	\$30,244	S5
M309	145TTDR5352	114	\$300	S2	M807	213TTDW7059	131	\$1,555	S5	M872		132	\$28,494	S5
M310	145TTDR5350	114	\$339	S2	M808	254TTDX7088	131	\$2,122	S5	M873	505UTDS957	132	\$24,361	S5
M311	145TTDR5315	115	\$378	S2	M809		131	\$1,747	S5	M874	508UTDS684	132	\$34,734	S5
M312	145TTDR5316	115	\$417	S2	M810	215TTDW7044	131	\$1,747	S5	M875	182TFFR9317	133	\$1,201	S5
M313	182TTDB7355	115	\$367	S2	M811	256TTDX7378	131	\$2,396	S5	M876	182TFFR17043	133	\$1,053	S5
M314	182TTDR7350	115	\$447	S2	M812		131	\$2,720	S5	M877	213TTFW7083	133	\$1,643	S5
M315	182TTDR7325	115	\$468	S2	M813	215TTDW7612	131	\$2,032	S5	M878		133	\$1,684	S5
M316	182TTDR7601	115	\$549	S2	M814	254TTDX7648	131	\$2,088	S5	M879	184TFFR9341	133	\$1,475	S5
M317	184TTDB7357	115	\$453	S2	M815	284TTDR8097	131	\$2,793	S5	M880	215TTFW7088	133	\$2,314	S5
M318	184TTDB7356	115	\$532	S2	M816		131	\$3,462	S5	M881	213TTFW7008	133	\$2,088	S5
M319	184TTDR7322	115	\$543	S2	M817		131	\$2,130	S5	M882		133	\$2,021	S5
M320	184TTDR7325	115	\$622	S2	M818	256TTDX8938	131	\$2,382	S5	M883	254TFFNA7078	133	\$2,761	S5
M321	213TTDBA7047	116	\$654	S2	M819	286TTDR7395	131	\$3,397	S5	M884	215TTFW7317	133	\$2,274	S5
M322	213TTDW7048	116	\$758	S2	M820	324TTDR7408	131	\$3,822	S5	M885	215TTFW7044	133	\$2,274	S5
M323	213TTDW7022	116	\$699	S2	M821	256TTDX7020	131	\$2,349	S5	M886	256TFFNA7090	133	\$3,117	S5
M324	213TTDW7023	116	\$801	S2	M822	284TTDR9030	131	\$2,655	S5	M887		133	\$3,958	S5
M325	215TTDBA7047	116	\$776	S2	M823	324TTDR8390	131	\$3,691	S5	M888	254TFFNA7012	133	\$2,621	S5
M326	215TTDW7048	116	\$879	S2	M824	326TTDR7112	131	\$4,403	S5	M889		133	\$2,716	S5
M327	215TTDW7022	116	\$863	S2	M825	284TTDR9013	131	\$2,571	S5	M890	284TFFPA7081	133	\$3,634	S5
M328	215TTDW7023	116	\$967	S2	M826	286TTDR8648	131	\$2,986	S5	M891		133	\$4,501	S5
M329	254TTDX7044	116	\$1,049	S2	M827		131	\$4,215	S5	M892	256TFFNA7013	133	\$2,868	S5
M330	254TTDX7008	116	\$1,089	S2	M828	364TTDS7117	131	\$4,940	S5	M893	256TFFNA7028	133	\$3,097	S5
M331	256TTDX7074	117	\$1,266	S2	M829	286TTDR17009	131	\$3,361	S5	M894	286TFFPA17079	133	\$4,417	S5
M332	256TTDX7011	117	\$1,282	S2	M830	324TTDR8940	131	\$3,303	S5	M895		133	\$5,354	S5
M333	284TTDP7338	117	\$1,532	S2	M831	364TTDS7376	131	\$5,149	S5	M896	284TFFNA7508	133	\$3,030	S5
M334	284TTDP7605	117	\$1,562	S2	M832	365TTDS7114	131	\$5,955	S5	M897	284TFFPA18035	133	\$3,451	S5
M335	286TTDP7317	117	\$1,957	S2	M833	324TTDR17003	131	\$3,876	S5	M898	324TFFPA17078	133	\$5,168	S5
M351	286TTDP8626	117	\$1,768	S2	M834	326TTDR8954	131	\$3,921	S5	M899	326TFFPA7406	133	\$6,165	S5
M352	324TTDP8631	117	\$2,311	S2	M835	365TTDS7376	131	\$6,074	S5	M900	286TFFPA7919	133	\$3,343	S5
M353	254TTDX7046	116	\$1,197	S2	M836	404TTDS17102	131	\$6,788	S5	M901	286TFFPA17044	133	\$3,883	S5
M354		116	\$1,238	S2	M837	326TTDR7302	132	\$4,336	S5	M902	326TFFS7397	133	\$5,901	S5
M358	324TTDP7320	117	\$2,668	S2	M838	364TTDR5039	132	\$4,528	S5	M903	326TTTPA7397	133	\$7,413	S5
M360	182TTDR5336	115	\$351	S2	M839	404TTDS7376	132	\$6,933	S5	M904	324TFFPA7017	133	\$4,413	S5
M361	182TTDR5337	115	\$430	S2	M840	405TTDS7124	132	\$7,828	S5	M905	324TFFPA7668	133	\$4,626	S5
M362	182TTDR5303	115	\$453	S2	M841	364TTDS7009	132	\$5,425	S5	M906	364TFFS7985	133	\$7,726	S5
M363	182TTDR5304	115	\$532	S2	M842	365TTDS7071	132	\$5,513	S5	M907	365TFFS17102	133	\$8,934	S5
M401	143TFFR5332	118	\$328	S2	M843	405TTDS7099	132	\$8,155	S5	M908		133	\$5,088	S5
M402	145TFFR5336	118	\$358	S2	M844	444TTDS7403	132	\$8,978	S5	M909	326TFFPA17037	133	\$5,486	S5
M403	145TFFR5303	118	\$414	S2	M845	365TTDS7019	132	\$7,312	S5	M910	365TFFS7393	133	\$9,109	S5
M404	145TFFR5338	118	\$375	S2	M846	404TTDS7071	132	\$6,965	S5	M911		133	\$10,858	S5
M405	182TFFR5302	118	\$476	S2	M847	444TTDS8981	132	\$10,122	S5	M912	364TFFS7922	134	\$6,505	S5
M406	182TFFR7757	118	\$453	S2	M848	445TTDS7121	132	\$12,045	S5	M913	364TFFS7945	134	\$6,788	S5
M407	184TFFR7908	118	\$584	S2	M849	405TTDS7624	132	\$9,187	S5	M914	404TFFS7685	134	\$11,097	S5
M408	184TFFR7760	118	\$567	S2	M850	405TTDS7354	132	\$8,412	S5	M915		134	\$12,528	S5
M409	213TTFW7022	118	\$705	S2	M851	445TTDS9476	132	\$12,019	S5	M916	365TFFS7923	134	\$8,125	S5
M410	213TTFW7047	118	\$807	S2	M852	505UTDS805	132	\$16,007	S5	M917	365TFFS7930	134	\$8,270	S5
M411	215TTFW7303	119	\$863	S2	M853	405TTDS7301	132	\$11,161	S5	M918	405TFFS17078	134	\$13,050	S5
M412	215TTFW7047	119	\$964	S2	M854	444TTDS7632	132	\$10,092	S5	M919	444TFFS7403	134	\$15,709	S5
M413	254TTFL5004	119	\$1,080	S2	M855	445TTDS17084	132	\$14,515	S5	M920	405TFFS7612	134	\$11,701	S5
M414	256TTFL5023	119	\$1,454	S2	M856	505UTDS819	132	\$19,842	S5	M921	405TFFS7370	134	\$11,141	S5
M415	143TFFR5303	118	\$384	S2	M857	444TTDS7302	132	\$15,254	S5	M922	444TFFS7686	134	\$17,396	S5
M416	184TFFR8915	118	\$624	S2	M858	445TTDS7659	132	\$13,715	S5	M923		134	\$21,080	S5
M417	215TTFW7022	119	\$1,028	S2	M859	505UTDS3998	132	\$21,216	S5	M924	444TFFS7321	134	\$15,790	S5
M418	145TFFR5310	118	\$426	S2	M860	505UTDS5820	132	\$22,329	S5	M925	444TFFS7640	134	\$14,461	S5
M420	254TTFL5751	119	\$1,309	S2	M861	445TTDS7315	132	\$16,330	S5	M926	445TFFN7694	134	\$21,030	S5
M421	256TTFL5055	119	\$1,589	S2	M862	445TTDS7636	132	\$14,497	S5	M927		134	\$29,934	S5
M422	182TFFR5330	118	\$436	S2	M863	505UTDS3999	132	\$22,626	S5	M928	445TFFN17002	134	\$19,188	S5



**Catalog Number/Model Number**

CAT. NO.	MODEL NO.	PAGE NO.	LIST PRICE	MULT. SYMB.	CAT. NO.	MODEL NO.	PAGE NO.	LIST PRICE	MULT. SYMB.	CAT. NO.	MODEL NO.	PAGE NO.	LIST PRICE	MULT. SYMB.
M929	445TTFN7361	134	\$17,663	S5	N525 *	56C17W5328	73	\$503	F3	N655 *	145TTWR5301	74	\$780	F3
M930		134	\$26,132	S5	N526 *	56C34W5304	73	\$429	F3	N656 *	182TTWR7026	74	\$858	F3
M931	449TTFS7109	134	\$37,107	S5	N527 *	56C17W5329	73	\$570	F3	N657 *	184TTWR7001	74	\$1,088	F3
M932		134	\$26,695	S5	N528	56C34W5305	73	\$633	F3	N658 *	184TTWR7026	74	\$972	F3
M933	445TTFN7360	134	\$24,684	S5	N529	56C17W5330	73	\$730	F3	N659	213TTWR7001	74	\$1,349	F3
M934		134	\$34,709	S5	N531 *	56C17W5326	73	\$424	F3	N660 *	213TTWR7026	74	\$1,235	F3
M935		134	\$40,588	S5	N532 *	56C34W5302	73	\$424	F3	N661 *	215TTWR7026	74	\$1,402	F3
M936		134	\$32,446	S5	N540 *	56C34W5308	73	\$431	F3	N680 *	56C17W5336	74	\$427	F3
M937		134	\$28,679	S5	N541 *	56C17W5333	73	\$500	F3	N681 *	56C17W5337	74	\$501	F3
M938		134	\$39,282	S5	N542 *	56C34W5309	73	\$433	F3	N682 *	56C17W5338	73	\$573	F3
M940		134	\$39,398	S5	N543 *	56C17W5334	73	\$575	F3	N683 *	145TCWR5326	73	\$730	F3
M941		134	\$32,592	S5	N544 *	56C34W5310	73	\$634	F3	N684	182TCWR7026	73	\$1,061	F3
M942		134	\$43,960	S5	N545 *	56C17W5335	73	\$734	F3	O002 *	48S17S25	163	\$135	F1
M943		134	\$38,660	S5	N553 *	56B17T5304	73	\$521	F3	O003 *	48S17S24	163	\$156	F1
M945		134	\$40,456	S5	N557 *	56C17W5331	73	\$427	F3	O004 *	48S34S2003	163	\$153	F1
N309 *	56T17V5346	74	\$481	F3	N558 *	56C34W5307	73	\$427	F3	O005 *	48S34S2004	163	\$119	F1
N310 *	143TTVR5329	74	\$525	F3	N559 *	56C17W5332	73	\$441	F3	O100 *	48C34D2024	163	\$173	F1
N312 *	145TTWR4027	74	\$655	F3	N564 *	56T17V5332	75	\$410	F3	O011 *	48C34D2028	163	\$213	F1
N313 *	56T17W5328	75	\$661	F3	N565 *	56T17V5334	75	\$434	F3	O012 *	48C34S24	163	\$158	F1
N314 *	182TTWR4027	74	\$866	F3	N566 *	56T34V5305	75	\$409	F3	O013	48C34S2001	163	\$165	F1
N315 *	184TTWR4004	74	\$990	F3	N567 *	56T17V5336	75	\$458	F3	O014	48C34S20	163	\$173	F1
N316 *	184TTWR4027	74	\$990	F3	N568 *	56T11V5376	75	\$572	F3	O100 *	48S34S361	163	\$128	F1
N317 *	184TTWR4003	74	\$1,236	F3	N569 *	56T34V5306	75	\$449	F3	O102 *	48S34S2005	163	\$136	F1
N318 *	213TTWR4027	74	\$1,236	F3	N599 *	56T17V5338	75	\$530	F3	O200 *	56S34D2000	164	\$129	F1
N319 *	215TTWR4027	74	\$1,479	F3	N600	56T11V5377	75	\$622	F3	O201	56S34D93	164	\$123	F1
N320 *	56T17W5340	74	\$458	F3	N601 *	56T34V5307	75	\$525	F3	O210 *	56C34D2114	164	\$144	F1
N321 *	145TTWR4029	74	\$527	F3	N602 *	56T17V5340	75	\$553	F3	O211 *	56C34D2109	164	\$150	F1
N322 *	56T17W5344	74	\$430	F3	N604 *	56T11W5377	75	\$667	F3	O212 *	56C34D2098	164	\$157	F1
N400 *	56T17V5347	77	\$904	F3	N605 *	56T34V5308	75	\$580	F3	O213 *	56C34D2099	164	\$164	F1
N401 *	56T17V5348	77	\$938	F3	N606 *	56T17V5342	75	\$577	F3	O214 *	56C34D2104	164	\$185	F1
N402 *	56T17V5349	77	\$960	F3	N607 *	145TTVR5326	75	\$577	F3	O215 *	56C34D2112	164	\$191	F1
N403 *	143TTVD5326	77	\$960	F3	N608 *	56T11W5378	75	\$704	F3	O217 *	56C34D2105	164	\$214	F1
N404 *	145TTWD4026	77	\$960	F3	N609 *	56T34V5309	75	\$644	F3	O231 *	56B34D2028	164	\$290	F1
N405 *	145TTWD4027	77	\$1,193	F3	N610 *	145TTVR5302	75	\$714	F3	O232 *	56B34D5337	164	\$359	F1
N406 *	182TTWD14031	77	\$1,433	F3	N611 *	56T17W5327	75	\$662	F3	O600 *	48S17T286	163	\$104	F1
N407 *	184TTWD14031	77	\$1,634	F3	N612 *	145TTWR4026	75	\$714	F3	O601 *	48S17T290	163	\$112	F1
N408 *	213TTWD14031	77	\$2,445	F3	N613 *	145TTWR4001	75	\$842	F3	O700 *	48A34SU1000	163	\$117	F1
N409 *	215TTWD14031	77	\$2,518	F3	N614 *	182TTWR4026	75	\$939	F3	O701 *	48A34SU1001	163	\$111	F1
N410 *	56T17VD5326	76	\$482	F3	N615 *	184TTWR4001	75	\$1,175	F3	P001 *	56T34D5310	34, 127, 164	\$166	F1
N411 *	56T17VD5328	76	\$496	F3	N616 *	184TTWR4026	75	\$1,061	F3	P002 *	56T34D5311	35, 127, 164	\$188	F1
N412 *	56T17VD5327	76	\$573	F3	N617	213TTWR4002	75	\$1,459	F3	P003 *	56T34D5312	35, 127, 164	\$226	F1
N413 *	56T17WD5326	76	\$597	F3	N618 *	213TTWR4026	75	\$1,345	F3	P004 *	56T34D5313	35, 127, 164	\$257	F1
N414 *	143TTWD4026	76	\$642	F3	N619 *	215TTWR4026	75	\$1,529	F3	P005 *	56T34D5314	35, 127, 164	\$313	F1
N415 *	56T17WD5329	76	\$623	F3	N620 *	56T17W5333	75, 106	\$410	F3	P006 *	56T34D5315	35, 127, 164	\$367	F1
N417 *	56T17WD5328	76	\$711	F3	N621	56T17W5335	75, 106	\$450	F3	P007 *	56T34D5316	35, 127, 164	\$412	F1
N418 *	145TTWD4029	76	\$793	F3	N622 *	56T17V5337	75, 106	\$458	F3	P101 *	56T34T5306	48, 128	\$192	F1
N430 *	56T17VD5329	76	\$479	F3	N623	56T17W5339	75, 106	\$530	F3	P102 *	56T34F5321	48, 128	\$213	F1
N431 *	56T17VD5330	76	\$491	F3	N626 *	143TTWR4028	75	\$553	F3	P103 *	56T34F5322	48, 128	\$253	F1
N432 *	56T17VD5331	76	\$571	F3	N627 *	56T17W5341	75, 106	\$553	F3	P104 *	56T34F5323	48, 128	\$283	F1
N433 *	56T17WD5330	76	\$595	F3	N628 *	56T17W5334	75	\$450	F3	P105 *	56T34F5324	48, 128	\$329	F1
N434 *	143TTWD5527	76	\$613	F3	N640 *	56T17V5326	74	\$408	F3	P106 *	56T34F5325	48, 128	\$382	F1
N435 *	56T17WD5331	76	\$621	F3	N641 *	56T17V5327	74	\$433	F3	P107 *	56T34F5326	48, 128	\$414	F1
N437 *	56T17WD5332	76	\$709	F3	N642 *	56T17V5328	74	\$447	F3	P310		171	\$660	E9
N438 *	145TTWD5528	76	\$729	F3	N643 *	56T34V5301	74	\$451	F3	P312	182UTTS8026	171	\$619	E9
N450 *	56T34VD5301	76	\$431	F3	N644 *	56T17V5329	74	\$517	F3	P313	184UTTS8076	171	\$758	E9
N451 *	56T34VD5302	76	\$441	F3	N645 *	56T34V5302	74	\$527	F3	P316	184UTTS8026	171	\$664	E9
N452 *	56T34VD5303	76	\$484	F3	N646 *	56T17V5330	74	\$539	F3	P317 *	184UTTS8078	171	\$837	E9
N453 *	56T34VD5301	76	\$569	F3	N647 *	143TTVR5326	74	\$539	F3	P320	184UTFS8026	171	\$698	E9
N454 *	143TTWD4001	76	\$611	F3	N648	56T34V5303	74	\$558	F3	P321	213UTFS8076	171	\$926	E9
N455 *	56T34VD5302	76	\$627	F3	N649 *	56T17V5331	74	\$562	F3	P324 *	213UTFS8026	171	\$805	E9
N456 *	143TTWD4002	76	\$675	F3	N650 *	143TTVR5327	74	\$562	F3	P325	215UTFS8076	171	\$1,149	E9
N457 *	56T34VD5303	76	\$695	F3	N651 *	56T34V5304	74	\$639	F3	P328	215UTFS8026	171	\$1,067	E9
N458 *	145TTWD4001	76	\$809	F3	N652 *	145TTVR5301	74	\$639	F3	P329 *	254UTFNA8076	171	\$1,642	E9
N523 *	56C17W5327	73	\$435	F3	N653 *	56T17W5326	74	\$655	F3	P332	254UTFPA8026	171	\$1,443	E9
N524 *	56C34W5303	73	\$427	F3	N654 *	145TTWR5326	74	\$655	F3	P333	256UTFNA8076	171	\$2,100	E9

# Index

## Catalog Number/Model Number

CAT. NO.	MODEL NO.	PAGE NO.	LIST PRICE	MULT. SYMB.	CAT. NO.	MODEL NO.	PAGE NO.	LIST PRICE	MULT. SYMB.	CAT. NO.	MODEL NO.	PAGE NO.	LIST PRICE	MULT. SYMB.
P336	256UTFPA8026	171	\$1,755	E9	P493 *	445UTFN4036	172	\$15,938	E9	P629	326UTFS4028	174	\$5,664	E9
P337 *	284UTFPA8076	171	\$2,572	E9	P510		173	\$906	E9	P630	365UTFS4088	174	\$7,642	E9
P340	284UTFPA8026	171	\$2,411	E9	P512	182UTTS4027	173	\$855	E9	P631	364UTFS4028	174	\$7,543	E9
P341	324UTFS8076	171	\$3,462	E9	P513	184UTTS4077	173	\$1,032	E9	P632		174	\$9,802	E9
P344	286UTFPA8026	172	\$2,959	E9	P514		173	\$793	E9	P633	365UTFS4028	174	\$8,778	E9
P345 *	326UTFS8076	172	\$4,232	E9	P515	184UTTS4027	173	\$912	E9	P634		174	\$11,248	E9
P348	324UTFS8026	172	\$3,702	E9	P516	184UTTS4079	173	\$1,134	E9	P635	405UTFS4028	174	\$10,878	E9
P349	364UTFS8086	172	\$5,111	E9	P517		173	\$869	E9	P636		174	\$13,238	E9
P352	326UTFS8026	172	\$4,327	E9	P518	184UTFS4027	173	\$959	E9	P637	444UTFS4028	174	\$13,418	E9
P353	365UTFS8086	172	\$5,785	E9	P519	213UTFS4078	173	\$1,258	E9	P638		174	\$15,584	E9
P356	364UTFS8036	172	\$5,706	E9	P520	184UTFS4004	173	\$977	E9	P639	445UTFN4028	174	\$16,533	E9
P357		172	\$7,449	E9	P521	213UTFS4027	173	\$1,103	E9	R300 *	63T34FH5301	53	\$175	F4
P360	365UTFS8036	172	\$6,691	E9	P522	215UTFS4078	173	\$1,544	E9	R301 *	63T17FH5326	53	\$182	F4
P361		172	\$8,605	E9	P523	213UTFS4002	173	\$1,161	E9	R302	71T11FH5376	53	\$311	F4
P364		172	\$8,310	E9	P524	215UTFS4027	173	\$1,441	E9	R303 *	63T34FH5302	53	\$205	F4
P365	444UTFS17077	172	\$10,103	E9	P525	254UTFNA4078	173	\$2,141	E9	R304 *	71T17FH5326	53	\$213	F4
P368		172	\$10,250	E9	P526	215UTFS4002	173	\$1,397	E9	R305	80T11FH5376	53	\$334	F4
P369		172	\$11,981	E9	P527	254UTFPA4027	173	\$1,893	E9	R306 *	71T34FH5301	53	\$218	F4
P372		172	\$12,955	E9	P528	256UTFNA4078	173	\$2,714	E9	R307 *	71T17FH5327	53	\$222	F4
P410		171	\$850	E9	P529		173	\$1,680	E9	R308	80T11FH5377	53	\$348	F4
P412	182UTTS4026	171	\$798	E9	P530	256UTFPA4027	173	\$2,281	E9	R309 *	71T34FH5302	53	\$229	F4
P413	184UTTS4076	171	\$976	E9	P531	284UTFPA4078	173	\$3,370	E9	R310 *	80T17FH5326	53	\$241	F4
P415	182UTTS4001	171	\$736	E9	P532		173	\$2,116	E9	R311	80T11FH5378	53	\$374	F4
P416	184UTTS4026	171	\$855	E9	P533	284UTFPA4027	173	\$3,165	E9	R312 *	80T34FH5301	53	\$260	F4
P417	184UTTS4078	171	\$1,077	E9	P534	324UTFS4078	173	\$4,587	E9	R313 *	80T17FH5327	53	\$264	F4
P419	184UTFS4001	171	\$811	E9	P535	286UTFN4002	173	\$2,910	E9	R314	90ST11FH5376	53	\$389	F4
P420	184UTFS4026	171	\$901	E9	P536	286UTFPA4027	173	\$3,853	E9	R315 *	80T34FH5302	53	\$287	F4
P421	213UTFS4076	171	\$1,192	E9	P537	326UTFS4078	173	\$5,549	E9	R316 *	90ST17FH5326	53	\$295	F4
P423	184UTFS4002	171	\$920	E9	P538	324UTFS4002	173	\$3,795	E9	R318 *	90ST34FH5301	53	\$307	F4
P424	213UTFS4026	171	\$1,037	E9	P539	324UTFS4027	173	\$4,884	E9	R319 *	90LT17FH5326	53	\$317	F4
P425	215UTFS4076	171	\$1,477	E9	P540	364UTFS4087	173	\$6,800	E9	R320	100LTFC4576	53	\$495	F4
P427	213UTFS4001	171	\$1,095	E9	P541		173	\$4,523	E9	R321 *	90LT34FH5301	54	\$442	F4
P428	215UTFS4026	171	\$1,375	E9	P542		173	\$5,664	E9	R322 *	100LTFC4526	54	\$480	F4
P429	254UTFNA4076	171	\$2,055	E9	P543		173	\$7,642	E9	R323	112MTFC4576	54	\$699	F4
P431 *	215UTFS4001	171	\$1,330	E9	P544		173	\$5,983	E9	R324 *	112MTFC4511	54	\$659	F4
P432	254UTFPA4026	171	\$1,806	E9	P545		173	\$7,543	E9	R325 *	112MTFC4536	54	\$635	F4
P433	256UTFNA4076	171	\$2,628	E9	P546		173	\$9,802	E9	R326	132MTFC4586	54	\$977	F4
P435 *	254UTFPA4001	171	\$1,592	E9	P547		173	\$7,442	E9	R327 *	132STFC4501	54	\$826	F4
P436	256UTFPA4026	171	\$2,194	E9	P548		173	\$8,778	E9	R328 *	132STFC4526	54	\$826	F4
P437	284UTFPA4076	171	\$3,219	E9	P549		173	\$11,248	E9	R329	132MTFC4587	54	\$1,175	F4
P439	256UTFNA4001	171	\$2,029	E9	P550		173	\$8,853	E9	R330 *	132STFC4502	54	\$884	F4
P440	284UTFPA4026	171	\$3,013	E9	P551		173	\$10,878	E9	R331 *	132MTFC4536	54	\$980	F4
P441 *	324UTFS4076	171	\$4,334	E9	P552		173	\$13,238	E9	R332	160MTFC4586	54	\$1,524	F4
P444	286UTFPA4001	172	\$2,761	E9	P553		173	\$11,597	E9	R333 *	160MTFC4511	54	\$1,432	F4
P445	286UTFPA4026	172	\$3,700	E9	P554	444UTFS4027	173	\$13,418	E9	R334 *	160MTFC4536	54	\$1,432	F4
P446	326UTFS4076	172	\$5,295	E9	P555		173	\$15,584	E9	R335	160LTFC4588	54	\$1,956	F4
P450	324USTFPA4001	172	\$3,541	E9	P556		173	\$15,134	E9	R336 *	160MTFC4512	54	\$1,680	F4
P451	324UTFS4026	172	\$4,632	E9	P557		173	\$16,533	E9	R337 *	160LTFC4538	54	\$1,771	F4
P453	364UTFS4086	172	\$6,393	E9	P612	182UTTS4028	174	\$855	E9	R338	180LTFC4588	54	\$2,743	F4
P457	326USTFPA4001	172	\$4,271	E9	P613	184UTTS4080	174	\$1,032	E9	R339 *	160LTFC4513	54	\$2,045	F4
P458	326UTFS4026	172	\$5,412	E9	P614	184UTTS4028	174	\$912	E9	R340 *	180MTFC4536	54	\$2,251	F4
P460	365UTFS4086	172	\$7,234	E9	P615	184UTTS4081	174	\$1,134	E9	R341 *	200LTFC4588	54	\$3,440	F4
P464	364USTFS4001	172	\$5,575	E9	P616	184UTFS4028	174	\$959	E9	R342 *	180MTFC4511	54	\$2,430	F4
P465	364UTFS4036	172	\$7,137	E9	P617	213UTFS4079	174	\$1,258	E9	R343 *	180LTFC4538	54	\$2,530	F4
P467	404UTFS4086	172	\$9,320	E9	P618	213UTFS4028	174	\$1,103	E9	R344	200LTFC4589	54	\$3,897	F4
P471	365USTFS4001	172	\$7,036	E9	P619	215UTFS4079	174	\$1,544	E9	R345 *	200LTFC4511	54	\$3,460	F4
P472	365UTFS4036	172	\$8,372	E9	P620	215UTFS4028	174	\$1,441	E9	R346 *	200LTFC4538	54	\$3,725	F4
P474	405UTFS4086	172	\$10,765	E9	P621	254UTFNA4079	174	\$2,141	E9	R347	225MTFC4586	54	\$5,855	F4
P478	405USTFS4001	172	\$8,371	E9	P622	254UTFPA4028	174	\$1,893	E9	R348 *	200LTFC4513	54	\$4,538	F4
P479	405UTFS4036	172	\$10,394	E9	P623	256UTFNA4079	174	\$2,714	E9	R349 *	225STFC4526	54	\$5,168	F4
P481	444UTFS4086	172	\$12,639	E9	P624	256UTFPA4028	174	\$2,281	E9	R350	250MTFC4586	54	\$8,207	F4
P485	444USTFS4001	172	\$11,000	E9	P625	284UTFPA4079	174	\$3,370	E9	R351 *	100LTFC4501	54	\$512	F4
P486	444UTFS4036	172	\$12,819	E9	P626	284UTFPA4028	174	\$3,165	E9	R352 *	100LTFC4536	54	\$521	F4
P488	445UTFN4086	172	\$14,987	E9	P627	286UTFPA4028	174	\$3,853	E9	R353	132STFC4586	54	\$846	F4
P492	445USTFN4001	172	\$14,536	E9	P628	324UTFS4028	174	\$4,884	E9	R360 *	63T34FH5401	55	\$197	F4

\*Stock Model

SB300 - Prices and Specifications are subject to change without notice.

## Catalog Number/Model Number

CAT. NO.	MODEL NO.	PAGE NO.	LIST PRICE	MULT. SYMB.	CAT. NO.	MODEL NO.	PAGE NO.	LIST PRICE	MULT. SYMB.	CAT. NO.	MODEL NO.	PAGE NO.	LIST PRICE	MULT. SYMB.
R361 *	63T17FH5402	55	\$205	F4	S010 *	48C17D2023	21	\$158	F1	S553	145TTTN18532	105, 187	\$1,218	E9
R362 *	71T22FH5403	55	\$357	F4	S011 *	48C17D2024	21	\$166	F1	S554	184TTTS18578	105, 187	\$1,684	E9
R363 *	63T34FH5404	55	\$231	F4	S012 *	56C17D2098	21	\$195	F1	S555		105, 187	\$1,788	E9
R364 *	71T17FH5405	55	\$234	F4	S013 *	56C17D2051	21	\$203	F1	S556		105, 187	\$1,646	E9
R365 *	80T11FH5406	55	\$384	F4	S014 *	56C17D2054	21	\$233	F1	S557	213TTTS17078	105, 187	\$1,788	E9
R366 *	71T34FH5407	55	\$235	F4	S015 *	56C17D2055	21	\$242	F1	S558	215TTTS18064	105, 187	\$2,059	E9
R367 *	71T17FH5408	55	\$244	F4	S022 *	56S17D2046	21	\$149	F1	S559		105, 187	\$1,684	E9
R368 *	80T11FH5409	55	\$399	F4	S025		21	\$112	F1	S560	215TTTS17078	105, 187	\$2,059	E9
R369 *	71T34FH5410	55	\$247	F4	S026	48S17D2113	21	\$122	F1	S561		105, 187	\$2,211	E9
R370 *	80T17FH5411	55	\$265	F4	S027	56S17D2066	21	\$155	F1	S562		105, 187	\$1,982	E9
R371 *	80T11FH5412	55	\$423	F4	S030 *	48C17D2027	21	\$189	F1	S563		105, 187	\$3,025	E9
R372 *	80T34FH5413	55	\$272	F4	S033 *	56C17D2064	21	\$226	F1	S564	256TTTNA18601	105, 187	\$2,828	E9
R373 *	80T17FH5414	55	\$284	F4	S036 *	56C17D2067	21	\$266	F1	S565		105, 187	\$2,059	E9
R374 *	90ST11FH5415	55	\$445	F4	S037 *	56C17D5319	21	\$313	F1	S566	256TTTNA18577	105, 187	\$2,895	E9
R375 *	80T34FH5416	55	\$310	F4	S038 *	56C17D5343	21	\$321	F1	S567 *	284TTTNA17101	105, 187	\$3,001	E9
R376 *	90ST17FH5417	55	\$316	F4	S039 *	56C17D5320	21	\$345	F1	S568		105, 188	\$2,762	E9
R377 *	90ST34FH5418	55	\$344	F4	S102 *	48S17D2042	22	\$111	F1	S569	284TTTNA18577	105, 188	\$3,467	E9
R378 *	90LT17FH5419	55	\$351	F4	S103	48S17D2091	22	\$117	F1	S570		105, 188	\$3,797	E9
R379 *	90LT34FH5420	55	\$497	F4	S106 *	48S17D2093	23	\$121	F1	S571		105, 188	\$2,382	E9
R380 *	63T34FH5501	55	\$201	F4	S110 *	48C17D2028	23	\$162	F1	S572		105, 188	\$3,797	E9
R381 *	63T17FH5502	55	\$208	F4	S111 *	48C17D2029	23	\$171	F1	S573		105, 188	\$4,640	E9
R382 *	71T11FH5503	55	\$357	F4	S112 *	56C17D2097	23	\$199	F1	S574		105, 188	\$3,001	E9
R383 *	63T34FH5504	55	\$233	F4	S113 *	56C17D2099	23	\$207	F1	S575		105, 188	\$4,770	E9
R384 *	71T17FH5505	55	\$240	F4	S114 *	56C17D2060	23	\$237	F1	S576		105, 188	\$5,051	E9
R385 *	80T11FH5506	55	\$384	F4	S115 *	56C17D2061	23	\$246	F1	S577		105, 188	\$3,797	E9
R386 *	71T34FH5507	55	\$239	F4	S116 *	56C17D5339	23	\$317	F1	S578		105, 188	\$5,051	E9
R387 *	71T17FH5508	55	\$247	F4	S117 *	56C17D5340	23	\$326	F1	T010 *	56C17F5351	192	\$341	F1
R388 *	80T11FH5509	55	\$399	F4	S118 *	48C17D2045	22	\$153	F1	T013 *	56C34F5340	192	\$309	F1
R389 *	7AT34FH5510	55	\$253	F4	S119 *	48C17D2046	22	\$162	F1	T014 *	56C17F5350	192	\$399	F1
R390 *	80T17FH5511	55	\$269	F4	S120 *	56S17D2023	23	\$153	F1	T015 *	56C34F5339	192	\$343	F1
R391 *	80T11FH5512	55	\$423	F4	S126 *	48S17D2104	22	\$117	F1	T016 *	56C17F5349	192	\$422	F1
R392 *	80T34FH5513	55	\$278	F4	S127 *	48S17D2105	23	\$128	F1	T017 *	56B34F5332	192	\$421	F1
R393 *	80T17FH5514	55	\$291	F4	S128 *	48S17D2106	23	\$155	F1	T018 *	56B17F5328	192	\$513	F1
R394 *	90ST11FH5515	55	\$445	F4	S500		187	\$1,129	E9	T019 *	56B34F5333	192	\$459	F1
R395 *	80T34FH5516	55	\$317	F4	S501	145TTTN18577	187	\$1,218	E9	T030 *	56B17F5329	192	\$566	F1
R396 *	90ST17FH5517	55	\$322	F4	S502		187	\$1,699	E9	T031 *	145TBFR5309	192	\$636	S1
R397 *	90ST34FH5518	55	\$351	F4	S503	145TTTN18531	187	\$1,218	E9	T1110 *	DRIVE T1110	210	\$757	D3
R398 *	90LT17FH5519	55	\$361	F4	S504	184TTTS18577	187	\$1,684	E9	T1112 *	DRIVE T1112	210	\$914	D3
R399 *	90LT34FH5520	55	\$497	F4	S505		187	\$1,788	E9	T1114 *	DRIVE T1114	210	\$921	D3
R400	63T34FH5303	53, 104	\$175	F4	S506	182TTTS18532	187	\$1,646	E9	T1115 *	DRIVE T1115	210	\$1,020	D3
R401 *	63T17FH5327	53, 104	\$182	F4	S507	213TTTS17077	187	\$1,788	E9	T1116 *	DRIVE T1116	210	\$973	D3
R403 *	63T34FH5304	53, 104	\$205	F4	S508		187	\$2,059	E9	T1117 *	DRIVE T1117	210	\$1,072	D3
R404 *	71T17FH5330	53, 104	\$213	F4	S509		187	\$1,684	E9	T1212 *	DRIVE T1212	210	\$801	D3
R406 *	71T34FH5303	53, 104	\$218	F4	S510 *	215TTTS17077	187	\$2,059	E9	T1214 *	DRIVE T1214	210	\$842	D3
R407 *	71T17FH5331	53, 104	\$222	F4	S511		187	\$2,211	E9	T1215 *	DRIVE T1215	210	\$882	D3
R409 *	71T34FH5304	53, 104	\$229	F4	S512		187	\$1,982	E9	T1216 *	DRIVE T1216	210	\$943	D3
R410	80T17FH5330	53, 104	\$241	F4	S513 *	254TTTNA17077	187	\$3,025	E9	T1217 *	DRIVE T1217	210	\$1,014	D3
R412 *	80T34FH5305	53, 104	\$260	F4	S514		187	\$2,828	E9	T1218 *	DRIVE T1218	210	\$1,198	D3
R413	80T17FH5331	53, 104	\$264	F4	S515		187	\$2,059	E9	T1219 *	DRIVE T1219	210	\$1,731	D3
R415 *	80T34FH5303	53, 104	\$287	F4	S516 *	256TTTNA18578	187	\$2,895	E9	T1220 *	DRIVE T1220	210	\$2,295	D3
R416 *	90ST17FH5327	53, 104	\$295	F4	S517 *	284TTTNA18601	187	\$3,001	E9	T1221	DRIVE T1221	210	\$3,028	D3
R418 *	90ST34FH5302	53, 104	\$307	F4	S518	254TTTNA18530	188	\$2,762	E9	T1222 *	DRIVE T1222	210	\$4,110	D3
R419 *	90LT17FH5327	53, 104	\$317	F4	S519	284TTTNA16577	188	\$3,467	E9	T1223	DRIVE T1223	210	\$4,977	D3
R421 *	90LT34FH5302	54, 104	\$442	F4	S520		188	\$3,797	E9	T1224	DRIVE T1224	210	\$5,973	D3
R422	100LTC4527	104	\$480	F4	S521	256TTTNA18531	188	\$2,382	E9	T1414 *	DRIVE T1414	210	\$1,011	D3
R424	112MTFC4512	104	\$659	F4	S522	286TTTNA18577	188	\$3,797	E9	T1416 *	DRIVE T1416	210	\$1,109	D3
R425	112MTFC4537	104	\$635	F4	S523	324TTTS18601	188	\$4,640	E9	T1417 *	DRIVE T1417	210	\$1,198	D3
R427	132STFC4503	104	\$826	F4	S524		188	\$3,001	E9	T1418 *	DRIVE T1418	210	\$1,347	D3
R428	132STFC4527	104	\$826	F4	S525	324TTTS18577	188	\$4,770	E9	T1419 *	DRIVE T1419	210	\$1,831	D3
R430	132STFC4504	104	\$884	F4	S526		188	\$5,051	E9	T1420 *	DRIVE T1420	210	\$2,487	D3
R431	132MTFC4537	104	\$980	F4	S527		188	\$3,797	E9	T1421	DRIVE T1421	210	\$3,195	D3
R451	100LTC4502	104	\$512	F4	S528	326TTTS18577	188	\$5,051	E9	T1422 *	DRIVE T1422	210	\$4,240	D3
R452	100LTC4537	104	\$521	F4	S550		105, 187	\$1,129	E9	T1423	DRIVE T1423	210	\$4,999	D3
S003 *	48S17D2089	21	\$105	F1	S551		105, 187	\$1,218	E9	T1424 *	DRIVE T1424	210	\$5,443	D3
S006 *	48S17D2090	21	\$117	F1	S552		105, 187	\$1,699	E9	T1425	DRIVE T1425	210	\$6,273	D3

# Index

## Catalog Number/Model Number

CAT. NO.	MODEL NO.	PAGE NO.	LIST PRICE	MULT. SYMB.	CAT. NO.	MODEL NO.	PAGE NO.	LIST PRICE	MULT. SYMB.	CAT. NO.	MODEL NO.	PAGE NO.	LIST PRICE	MULT. SYMB.
T1426	DRIVE T1426	210	\$7,647	D3	T2516*	DRIVE T2516	206	\$857	D3	T437 *	DRIVE T437	212	\$1,643	D3
T1427	DRIVE T1427	210	\$8,400	D3	T2517*	DRIVE T2517	206	\$1,017	D3	T438 *	DRIVE T438	212	\$1,817	D3
T1514*	DRIVE T1514	211	\$1,120	D3	T2518*	DRIVE T2518	206	\$1,244	D3	T439	DRIVE T439	212	\$2,303	D3
T1516*	DRIVE T1516	211	\$1,238	D3	T2519*	DRIVE T2519	206	\$1,616	D3	T440	DRIVE T440	212	\$3,071	D3
T1517*	DRIVE T1517	211	\$1,369	D3	T2520*	DRIVE T2520	206	\$1,915	D3	T441	DRIVE T441	212	\$3,825	D3
T1518*	DRIVE T1518	211	\$1,491	D3	T310	DRIVE T310	204	\$507	D3	T442	DRIVE T442	212	\$4,906	D3
T1519*	DRIVE T1519	211	\$1,824	D3	T312	DRIVE T312	204	\$529	D3	T444 *	DRIVE T444	213	\$1,512	D3
T1520*	DRIVE T1520	211	\$2,779	D3	T314	DRIVE T314	204	\$570	D3	T446	DRIVE T446	213	\$1,687	D3
T1521	DRIVE T1521	211	\$3,670	D3	T315	DRIVE T315	204	\$677	D3	T447 *	DRIVE T447	213	\$1,839	D3
T1522	DRIVE T1522	211	\$4,661	D3	T316	DRIVE T316	204	\$749	D3	T448 *	DRIVE T448	213	\$1,980	D3
T1523	DRIVE T1523	211	\$5,505	D3	T317	DRIVE T317	204	\$910	D3	T449	DRIVE T449	213	\$2,723	D3
T1524	DRIVE T1524	211	\$6,021	D3	T318 *	DRIVE T318	204	\$1,247	D3	T450	DRIVE T450	213	\$3,571	D3
T1525	DRIVE T1525	211	\$6,837	D3	T324	DRIVE T324	204	\$525	D3	T451	DRIVE T451	213	\$4,314	D3
T1526	DRIVE T1526	211	\$8,295	D3	T325	DRIVE T325	204	\$618	D3	T452	DRIVE T452	214	\$1,334	D3
T1527	DRIVE T1527	211	\$9,279	D3	T326 *	DRIVE T326	204	\$681	D3	T453	DRIVE T453	213	\$5,251	D3
T201 *	DRIVE T201	203	\$345	D3	T327 *	DRIVE T327	204	\$812	D3	T454	DRIVE T454	214	\$1,431	D3
T202 *	DRIVE T202	203	\$375	D3	T328 *	DRIVE T328	204	\$1,045	D3	T455	DRIVE T455	214	\$1,498	D3
T204 *	DRIVE T204	203	\$498	D3	T329 *	DRIVE T329	204	\$1,427	D3	T456	DRIVE T456	214	\$1,588	D3
T205 *	DRIVE T205	203	\$565	D3	T330 *	DRIVE T330	204	\$1,705	D3	T457	DRIVE T457	214	\$1,668	D3
T211 *	DRIVE T211	203	\$320	D3	T331 *	DRIVE T331	204	\$2,209	D3	T458	DRIVE T458	214	\$2,323	D3
T2112*	DRIVE T2112	206	\$532	D3	T332 *	DRIVE T332	205	\$591	D3	T459	DRIVE T459	214	\$2,859	D3
T2114*	DRIVE T2114	206	\$599	D3	T333	DRIVE T333	204	\$2,710	D3	T460	DRIVE T460	214	\$3,566	D3
T2115*	DRIVE T2115	206	\$711	D3	T334 *	DRIVE T334	205	\$637	D3	T461	DRIVE T461	214	\$4,358	D3
T2116*	DRIVE T2116	206	\$786	D3	T335 *	DRIVE T335	205	\$696	D3	T464	DRIVE T464	214	\$1,573	D3
T2117*	DRIVE T2117	206	\$956	D3	T336 *	DRIVE T336	205	\$768	D3	T466	DRIVE T466	214	\$1,781	D3
T212 *	DRIVE T212	203	\$337	D3	T337 *	DRIVE T337	205	\$858	D3	T467	DRIVE T467	214	\$1,912	D3
T213	DRIVE T213	203	\$356	D3	T338 *	DRIVE T338	205	\$1,094	D3	T468	DRIVE T468	214	\$2,182	D3
T214 *	DRIVE T214	203	\$375	D3	T339 *	DRIVE T339	205	\$1,427	D3	T469	DRIVE T469	214	\$2,959	D3
T215 *	DRIVE T215	203	\$452	D3	T340 *	DRIVE T340	205	\$1,705	D3	T470	DRIVE T470	214	\$3,666	D3
T216 *	DRIVE T216	203	\$530	D3	T341 *	DRIVE T341	205	\$2,166	D3	T471	DRIVE T471	214	\$4,386	D3
T217 *	DRIVE T217	203	\$624	D3	T342 *	DRIVE T342	205	\$2,652	D3	T472	DRIVE T472	214	\$5,414	D3
T220	DRIVE T220	203	\$1,167	D3	T343 *	DRIVE T343	205	\$3,156	D3	T474	DRIVE T474	214	\$1,709	D3
T221	DRIVE T221	203	\$1,720	D3	T344	DRIVE T344	205	\$3,669	D3	T476	DRIVE T476	214	\$1,908	D3
T2214*	DRIVE T2214	206	\$551	D3	T354	DRIVE T354	205	\$681	D3	T477	DRIVE T477	214	\$2,063	D3
T2215*	DRIVE T2215	206	\$649	D3	T356	DRIVE T356	205	\$816	D3	T478	DRIVE T478	214	\$2,335	D3
T2216*	DRIVE T2216	206	\$715	D3	T357	DRIVE T357	205	\$969	D3	T479	DRIVE T479	214	\$3,156	D3
T2217*	DRIVE T2217	206	\$853	D3	T358	DRIVE T358	205	\$1,185	D3	T480	DRIVE T480	214	\$4,052	D3
T2218*	DRIVE T2218	206	\$1,097	D3	T359	DRIVE T359	205	\$1,539	D3	T481	DRIVE T481	214	\$4,867	D3
T2219*	DRIVE T2219	206	\$1,498	D3	T360	DRIVE T360	205	\$1,824	D3	T482	DRIVE T482	214	\$5,883	D3
T222 *	DRIVE T222	203	\$320	D3	T361	DRIVE T361	205	\$2,389	D3	T532	DRIVE T532	212	\$4,775	D3
T2220*	DRIVE T2220	206	\$1,790	D3	T362	DRIVE T362	205	\$2,922	D3	T533	DRIVE T533	212	\$6,544	D3
T224 *	DRIVE T224	203	\$355	D3	T363	DRIVE T363	205	\$3,456	D3	T534	DRIVE T534	212	\$6,934	D3
T225 *	DRIVE T225	203	\$422	D3	T400	DRIVE T400	212	\$1,056	D3	T543	DRIVE T543	212	\$5,664	D3
T226 *	DRIVE T226	203	\$481	D3	T402	DRIVE T402	212	\$1,154	D3	T544	DRIVE T544	212	\$6,190	D3
T227 *	DRIVE T227	203	\$533	D3	T404	DRIVE T404	212	\$1,262	D3	T545	DRIVE T545	212	\$7,160	D3
T228	DRIVE T228	203	\$680	D3	T405	DRIVE T405	212	\$1,484	D3	T546	DRIVE T546	212	\$8,310	D3
T229	DRIVE T229	203	\$939	D3	T406	DRIVE T406	212	\$1,343	D3	T547	DRIVE T547	212	\$9,356	D3
T230	DRIVE T230	203	\$1,076	D3	T407	DRIVE T407	212	\$1,423	D3	T553	DRIVE T553	213	\$6,262	D3
T231	DRIVE T231	203	\$1,272	D3	T410	DRIVE T410	214	\$1,305	D3	T554	DRIVE T554	213	\$6,873	D3
T232 *	DRIVE T232	203	\$427	D3	T412	DRIVE T412	214	\$1,451	D3	T555	DRIVE T555	213	\$7,957	D3
T234 *	DRIVE T234	203	\$457	D3	T414	DRIVE T414	214	\$1,555	D3	T556	DRIVE T556	213	\$9,289	D3
T235 *	DRIVE T235	203	\$496	D3	T415	DRIVE T415	214	\$1,912	D3	T557	DRIVE T557	213	\$10,391	D3
T236 *	DRIVE T236	203	\$529	D3	T416	DRIVE T416	214	\$1,635	D3	T900 *	DRIVE KIT T900	208	\$132	D3
T237 *	DRIVE T237	203	\$581	D3	T417	DRIVE T417	214	\$1,715	D3	T901	DRIVE KIT T901	208	\$166	D3
T238 *	DRIVE T238	203	\$695	D3	T422 *	DRIVE T422	212	\$1,136	D3	T902	DRIVE KIT T902	208	\$198	D3
T239	DRIVE T239	203	\$903	D3	T424 *	DRIVE T424	212	\$1,233	D3	T915	DRIVE KIT T915	208	\$729	D3
T2412*	DRIVE T2412	206	\$621	D3	T425 *	DRIVE T425	212	\$1,250	D3	T916 *	DRIVE KIT T916	208	\$142	D3
T2414*	DRIVE T2414	206	\$669	D3	T426 *	DRIVE T426	212	\$1,322	D3	T920 *	DRIVE KIT T920	208	\$152	D3
T2415*	DRIVE T2415	206	\$731	D3	T427 *	DRIVE T427	212	\$1,429	D3	T921 *	DRIVE KIT T921	208	\$187	D3
T2416*	DRIVE T2416	206	\$806	D3	T428 *	DRIVE T428	212	\$1,763	D3	T922 *	DRIVE KIT T922	208	\$208	D3
T2417*	DRIVE T2417	206	\$901	D3	T429	DRIVE T429	212	\$2,445	D3	T931 *	DRIVE KIT T931	209	\$233	D3
T2418*	DRIVE T2418	206	\$1,149	D3	T430	DRIVE T430	212	\$3,085	D3	T933	DRIVE KIT T933	209	\$272	D3
T2419*	DRIVE T2419	206	\$1,498	D3	T431	DRIVE T431	212	\$3,720	D3	T935 *	DRIVE KIT T935	209	\$370	D3
T2420*	DRIVE T2420	206	\$1,790	D3	T434 *	DRIVE T434	212	\$1,390	D3	T936	DRIVE KIT T936	209	\$482	D3
T2514*	DRIVE T2514	206	\$715	D3	T436 *	DRIVE T436	212	\$1,534	D3	T937	DRIVE KIT T937	209	\$609	D3

\*Stock Model

SB300 - Prices and Specifications are subject to change without notice.



## Catalog Number/Model Number

CAT. NO.	MODEL NO.	PAGE NO.	LIST PRICE	MULT. SYMB.	CAT. NO.	MODEL NO.	PAGE NO.	LIST PRICE	MULT. SYMB.	CAT. NO.	MODEL NO.	PAGE NO.	LIST PRICE	MULT. SYMB.
T938	DRIVE KIT T938	209	\$735	D3	U029	284TTGP4030	81, 98	\$2,795	E7	U105	284TTDP4043	117	\$1,914	S2
T939	DRIVE KIT T939	209	\$314	D3	U030	286TTGP4030	81, 98	\$3,241	E7	U106	284TTDP4069	117	\$1,914	S2
T941	DRIVE KIT T941	209	\$233	D3	U031	324TTGP4030	81, 98	\$4,315	E7	U107	284TTDP4037	100, 117	\$1,914	S2
T943	DRIVE KIT T943	209	\$272	D3	U032	326TTGP4030	81, 98	\$5,253	E7	U108	284TTDP4025	117	\$1,954	S2
T945 *	DRIVE KIT T945	209	\$370	D3	U033	364TTGS4040	81, 98	\$7,632	E7	U109		117	\$1,954	S2
T946 *	DRIVE KIT T946	209	\$482	D3	U034	365TTGS4040	81, 98	\$9,390	E7	U110	284TTDP4023	100, 117	\$1,954	S2
T947	DRIVE KIT T947	209	\$609	D3	U035	405TTGS4040	82, 98	\$11,546	E7	U111	286TTDP4067	117	\$2,211	S2
T948	DRIVE KIT T948	209	\$735	D3	U036	444TTGS4042	82, 98	\$14,912	E7	U112	286TTDP4037	117	\$2,211	S2
T949	DRIVE KIT T949	209	\$314	D3	U037	445TTGN4030	82, 98	\$18,417	E7	U113	286TTDP4047	100, 117	\$2,211	S2
T953	DRIVE KIT T953	209	\$272	D3	U038	445TTGN4045	82, 98	\$20,837	E7	U114	286TTDP4015	117	\$2,446	S2
T955 *	DRIVE KIT T955	209	\$370	D3	U039 *	145TTGN4076	80	\$775	E7	U115	286TTDP4021	100, 117	\$2,446	S2
T956	DRIVE KIT T956	209	\$482	D3	U040 *	182TTGS4076	80	\$808	E7	U116	324TTDP4345	117	\$2,889	S2
T957	DRIVE KIT T957	209	\$609	D3	U041 *	184TTGS4076	80	\$914	E7	U117	324TTDP4349	100, 117	\$2,888	S2
T958	DRIVE KIT T958	209	\$735	D3	U042 *	213TTGS4076	80	\$1,171	E7	U118	324TTDP4004	117	\$3,129	S2
T959	DRIVE KIT T959	209	\$314	D3	U043 *	215TTGS4076	80	\$1,501	E7	U119	324TTDP4018	100, 117	\$3,129	S2
T961	DRIVE T961	216	\$138	D3	U044 *	254TTGN4076	80	\$1,958	E7	U120	326TTDP4329	117	\$3,337	S2
T962	DRIVE T962	216	\$138	D3	U045 *	256TTGN4076	81	\$2,362	E7	U121	326TTDP4326	100, 117	\$3,337	S2
T963	DRIVE T963	216	\$138	D3	U046 *	284TTGN4076	81	\$3,280	E7	U122	143TTDR4042	121	\$329	S2
T964	DRIVE T964	216	\$196	D3	U047 *	286TTGN4076	81	\$3,825	E7	U123	143TTDR4036	121	\$329	S2
T965	DRIVE T965	216	\$196	D3	U048 *	324TTGP4076	81	\$4,833	E7	U124	143TTDR4048	102, 121	\$329	S2
T966	DRIVE T966	216	\$196	D3	U049 *	326TTGS4076	81	\$5,655	E7	U125	143TTDR4043	121	\$367	S2
T967	DRIVE T967	216	\$227	D3	U050 *	364TTGS4086	81	\$7,357	E7	U126	143TTDR4037	121	\$367	S2
T968	DRIVE T968	216	\$227	D3	U055	445TTGS4086	82	\$19,021	E7	U127	143TTDR4049	102, 121	\$367	S2
T969	DRIVE T969	209, 216	\$345	D3	U058 *	143TTGN4001	80	\$689	E7	U128	143TTDR4018	121	\$376	S2
T970	DRIVE T970	209, 216	\$345	D3	U059 *	145TTGN4001	80	\$808	E7	U129	143TTDR4010	121	\$376	S2
T971	DRIVE T971	209, 216	\$583	D3	U060 *	182TTGS4001	80	\$836	E7	U130	143TTDR4023	102, 121	\$376	S2
T972	DRIVE T972	209, 216	\$583	D3	U061 *	184TTGS4001	80	\$1,016	E7	U131	143TTDR4019	121	\$414	S2
T973	DRIVE T973	216	\$761	D3	U062 *	213TTGS4001	80	\$1,295	E7	U132	143TTDR4011	121	\$414	S2
T974	DRIVE T974	216	\$761	D3	U063 *	215TTGS4001	81	\$1,470	E7	U133	143TTDR4025	102, 121	\$414	S2
T975	DRIVE T975	216	\$880	D3	U064 *	254TTGP4001	81	\$1,914	E7	U134	145TTDR4042	121	\$359	S2
T976	DRIVE T976	216	\$880	D3	U065 *	256TTGN4001	81	\$2,412	E7	U135	145TTDR4061	121	\$359	S2
T977	DRIVE T977	216	\$211	D3	U066 *	284TSTGP4001	81	\$3,113	E7	U136	145TTDR4048	102, 121	\$359	S2
T978	DRIVE T978	216	\$287	D3	U067 *	286TSTGP4001	81	\$3,355	E7	U137	145TTDR4043	121	\$399	S2
T979	DRIVE T979	216	\$287	D3	U068 *	324TSTGP4001	81	\$4,517	E7	U138	145TTDR4037	121	\$399	S2
T980	DRIVE T980	216	\$314	D3	U069 *	326TSTGP4001	81	\$5,837	E7	U139	145TTDR4049	102, 121	\$399	S2
T981	DRIVE T981	216	\$342	D3	U070 *	364TSTGS4001	81	\$8,342	E7	U140	145TTDR4017	121	\$422	S2
T982	DRIVE T982	216	\$303	D3	U071 *	365TSTGS4001	81	\$9,641	E7	U141	145TTDR4011	121	\$422	S2
T983	DRIVE T983	216	\$303	D3	U073 *	444TSTGS4003	82	\$18,003	E7	U142	145TTDR4023	102, 121	\$422	S2
T987	DRIVE T987	216	\$365	D3	U074	445TSTGN4001	82	\$21,073	E7	U143	145TTDR4018	121	\$461	S2
T988	DRIVE T988	216	\$419	D3	U075	445TSTGN4005	82	\$25,713	E7	U144	145TTDR4012	121	\$461	S2
T989	DRIVE T989	216	\$446	D3	U076	284TSTGP4036	81	\$2,795	E7	U145	145TTDR4024	102, 121	\$461	S2
U001 *	143TTGN4026	80	\$643	E7	U077	286TSTGP4036	81	\$3,241	E7	U146	145TTDR4068	121	\$376	S2
U002 *	145TTGN4026	80	\$686	E7	U078	324TSTGP4036	81	\$4,315	E7	U147	145TTDR4036	121	\$376	S2
U003 *	145TTGN4027	80	\$726	E7	U079	326TSTGP4036	81	\$5,253	E7	U148	145TTDR4074	102, 121	\$376	S2
U004 *	182TTGS4026	80	\$828	E7	U080	364TSTGS4026	81	\$7,632	E7	U149	145TTDR4069	121	\$414	S2
U005 *	184TTGS4026	80	\$908	E7	U081	365TSTGS4026	81	\$9,390	E7	U150	145TTDR4062	121	\$414	S2
U006 *	213TTGS4026	80	\$1,229	E7	U082	405TSTGS4026	82	\$11,546	E7	U151	145TTDR4075	102, 121	\$414	S2
U007 *	215TTGS4026	81	\$1,433	E7	U083	444TSTGS4026	82	\$14,912	E7	U152	145TTDR4117	122	\$472	S2
U008 *	254TTGN4026	81	\$1,836	E7	U084	445TSTGN4027	82	\$17,628	E7	U153	145TTDR4111	122	\$472	S2
U009 *	256TTGN4026	81	\$2,197	E7	U085 *	444TTGS4038	82	\$14,912	E7	U154	145TTDR4123	102, 122	\$472	S2
U010 *	284TTGP4026	81	\$2,795	E7	U088 *	405TTGS4087	81	\$11,565	E7	U155	145TTDR4118	122	\$511	S2
U011 *	286TTGP4026	81	\$3,241	E7	U089 *	404TTGS4087	81	\$9,944	E7	U156	145TTDR4112	122	\$511	S2
U012 *	324TTGP4026	81	\$4,315	E7	U090	445TTGN4087	82	\$20,698	E7	U157	145TTDR4124	102, 122	\$511	S2
U013 *	326TTGP4026	81	\$5,253	E7	U091	449TTGS4088	82	\$24,957	E7	U158	182TTDR4142	122	\$438	S2
U018 *	445TTGN4037	82	\$17,628	E7	U092 *	365TTGS4091	81	\$8,342	E7	U159	182TTDR4136	122	\$438	S2
U019 *	445TTGN4053	82	\$20,837	E7	U093 *	364TTGS4046	81	\$7,632	E7	U160	182TTDR4148	102, 122	\$438	S2
U020 *	143TTGN4030	80, 98	\$643	E7	U094 *	365TTGS4046	81	\$9,390	E7	U161	182TTDR4143	122	\$516	S2
U021 *	145TTGN4035	80, 98	\$686	E7	U095 *	444TTGS4087	82	\$16,074	E7	U162	182TTDR4048	122	\$516	S2
U022 *	145TTGN4040	80, 98	\$726	E7	U096	405TSTGS4003	82	\$13,042	E7	U163	182TTDR4149	102, 122	\$516	S2
U023 *	182TTGS4030	80, 98	\$828	E7	U097 *	405TTGS4046	82	\$11,546	E7	U164	182TTDR4118	122	\$566	S2
U024 *	184TTGS4030	80, 98	\$908	E7	U100	256TTDX4041	117	\$1,730	S2	U165	182TTDR4811	122	\$566	S2
U025 *	213TTGS4030	80, 98	\$1,229	E7	U101	256TTDX4047	100, 117	\$1,730	S2	U166	182TTDR4124	102, 122	\$566	S2
U026 *	215TTGS4030	81, 98	\$1,433	E7	U102	256TTDX4021	117	\$1,603	S2	U167	182TTDR4119	122	\$642	S2
U027 *	254TTGN4030	81, 98	\$1,836	E7	U103	256TTDX4006	117	\$1,603	S2	U168	182TTDR4113	122	\$642	S2
U028 *	256TTGN4030	81, 98	\$2,197	E7	U104	256TTDX4019	100, 117	\$1,603	S2	U169	182TTDR4125	102, 122	\$642	S2



# Index

## Catalog Number/Model Number

CAT. NO.	MODEL NO.	PAGE NO.	LIST PRICE	MULT. SYMB.	CAT. NO.	MODEL NO.	PAGE NO.	LIST PRICE	MULT. SYMB.	CAT. NO.	MODEL NO.	PAGE NO.	LIST PRICE	MULT. SYMB.
U170	184TTDR4142	122	\$566	S2	U229	284TTDP4045	124	\$1,914	S2	U326	184TTFR4056	101, 118	\$708	S2
U171	184TTDR4136	122	\$566	S2	U230	284TTDP4011	124	\$1,954	S2	U327	213TTFW4009	118	\$883	S2
U172	184TTDR4148	102, 122	\$566	S2	U231	284TTDP4022	124	\$1,954	S2	U328	213TTFW4011	124	\$883	S2
U173	184TTDR4143	122	\$642	S2	U232	284TTDP4012	102, 124	\$1,954	S2	U329	213TTFW4022	118	\$883	S2
U174		122	\$642	S2	U233	286TTDP4048	124	\$2,211	S2	U330	213TTFW4024	124	\$883	S2
U175	184TTDR4149	102, 122	\$642	S2	U234	286TTDP4074	124	\$2,211	S2	U331	213TTFW4010	101, 118	\$883	S2
U176	184TTDR4117	122	\$680	S2	U235	286TTDP4049	102, 124	\$2,211	S2	U332	213TTFW4012	101, 124	\$883	S2
U177	184TTDR4111	122	\$680	S2	U236	286TTDP4020	124	\$2,446	S2	U334	213TTFW4047	118	\$1,009	S2
U1779*	364TTDCA6060	58	\$3,468	E2	U237	286TTDP4024	102, 124	\$2,446	S2	U335	213TTFW4038	101, 118	\$1,009	S2
U178	184TTDR4123	102, 122	\$680	S2	U238	324TTDP4348	124	\$2,889	S2	U336	215TTFW4014	119	\$1,080	S2
U1782*	364TTDCA6001	58	\$5,379	E2	U239	324TTDP4033	102, 124	\$2,889	S2	U337	215TTFW4022	119	\$1,080	S2
U1783*	365TTDCA6060	58	\$4,278	E2	U240	324TTDP4002	124	\$3,129	S2	U338	215TTFW4015	101, 119	\$1,080	S2
U1784*	365TTDCA6001	58	\$6,081	E2	U241	324TTDP4011	102, 124	\$3,129	S2	U339	215TTFW4035	119	\$1,207	S2
U179	184TTDR4118	122	\$758	S2	U242	326TTDP4340	124	\$3,337	S2	U340	215TTFW4047	119	\$1,207	S2
U180	184TTDR4112	122	\$758	S2	U243	326TTDP4032	102, 124	\$3,337	S2	U341	215TTFW4036	101, 119	\$1,207	S2
U181	184TTDR4124	102, 115	\$758	S2	U244	56T34D6001	57	\$380	E2	U343	254TFL4009	124	\$1,350	S2
U182	213TTDW4044	122	\$818	S2	U245	143TTDR6028	57	\$423	E2	U344	254TFL4006	119	\$1,350	S2
U183	213TTDW4049	122	\$818	S2	U246	145TTDR6039	57	\$499	E2	U345	254TFL4007	124	\$1,350	S2
U184	213TTDW4039	102, 122	\$818	S2	U247	145TTDR6002	57	\$504	E2	U346	254TFL4010	101, 119	\$1,350	S2
U185	213TTDW4051	122	\$921	S2	U248	182TTDR6001	57	\$553	E2	U347	254TFL4034	119	\$1,637	S2
U186	213TTDW4037	122	\$921	S2	U249	184TTDR6001	57	\$800	E2	U348	254TFL4031	119	\$1,637	S2
U187	213TTDW4052	102, 122	\$921	S2	U250	404TSTDS6001	58	\$7,575	E2	U349	254TFL4036	101, 119	\$1,637	S2
U188	213TTDW4011	123	\$874	S2	U251	405TSTDS6007	58	\$9,215	E2	U350	256TFL4010	119	\$1,817	S2
U189	213TTDW4024	123	\$874	S2	U252		58	\$14,334	E2	U351	256TFL4006	119	\$1,817	S2
U190	213TTDW4012	102, 123	\$874	S2	U254	254TTDC6076	57	\$1,206	E2	U352	256TFL4012	101, 119	\$1,817	S2
U191	213TTDW4013	123	\$976	S2	U255	256TTDC6076	57	\$1,503	E2	U353	256TFL4036	119	\$1,987	S2
U192	213TTDW4025	123	\$976	S2	U256	284TTDC6076	57	\$1,979	E2	U354	256TFL4031	119	\$1,987	S2
U1927	364TTDCA6086	58	\$4,269	E2	U257	286TTDC6076	58	\$2,411	E2	U355	256TFL4038	101, 119	\$1,987	S2
U1928	365TTDCA6086	58	\$4,885	E2	U261		59	\$37,112	E2	U356	254TFL4011	101, 124	\$1,350	S2
U193	213TTDW4014	102, 123	\$976	S2	U263		59	\$43,878	E2	U400 *	445TSTDS4026	33	\$11,305	E2
U194	215TTDW4044	123	\$970	S2	U264		59	\$45,853	E2	U401		36	\$514	E2
U195	215TTDW4049	123	\$970	S2	U265	145TTDR6076	57	\$504	E2	U402 *	182TTDR4108	36	\$630	E2
U196	215TTDW4051	102, 123	\$970	S2	U266	182TTDR6076	57	\$593	E2	U403	184TTDR4132	36	\$617	E2
U197	215TTDW4053	123	\$1,072	S2	U267	184TTDR6076	57	\$604	E2	U404 *	184TTDR4107	36	\$849	E2
U198	215TTDW4050	123	\$1,072	S2	U268	213TTDC6076	57	\$739	E2	U405 *	213TTDW4045	36	\$838	E2
U199	215TTDW4052	102, 123	\$1,072	S2	U269	215TTDC6076	57	\$964	E2	U406	143TTDR4027	34	\$278	E2
U200	215TTDW4011	123	\$1,080	S2	U270		58	\$5,858	E2	U408	145TTDR4027	34	\$334	E2
U201	215TTDW7024	123	\$1,080	S2	U271		58	\$6,975	E2	U409	182TTDR4127	34	\$416	E2
U202	215TTDW4012	102, 123	\$1,080	S2	U272	444TTDS16077	58	\$8,833	E2	U410		34	\$487	E2
U203	215TTDW4013	123	\$1,183	S2	U273		58	\$10,848	E2	U411	213TTDW4027	34	\$708	E2
U204	215TTDW4025	123	\$1,183	S2	U274		58	\$12,025	E2	U412		34	\$855	E2
U205	215TTDW4014	102, 123	\$1,183	S2	U275		58	\$14,715	E2	U413	254TTDX4027	34	\$1,137	E2
U206	254TTDX4074	123	\$1,312	S2	U300	143TTFR4040	118	\$408	S2	U414		34	\$1,388	E2
U207	254TTDX4075	123	\$1,312	S2	U301	143TTFR4034	118	\$408	S2	U416 *	143TTDR4061	28	\$396	E2
U208	254TTDX4340	102, 123	\$1,312	S2	U302	143TTFR4046	101, 118	\$408	S2	U417 *	143TTDR4052	28	\$396	E2
U209	254TTDX4060	123	\$1,461	S2	U303	143TTFR4015	118	\$480	S2	U418 *	143TTDR4051	28	\$412	E2
U210	254TTDX4041	123	\$1,461	S2	U304	143TTFR4007	118	\$480	S2	U419 *	145TTDR4128	29	\$421	E2
U211	254TTDX4341	102, 123	\$1,461	S2	U305	143TTFR4021	101, 118	\$480	S2	U420 *	145TTDR4126	29	\$421	E2
U212	254TTDX4014	123	\$1,363	S2	U306	145TTFR4048	118	\$447	S2	U421 *	145TTDR4127	29	\$437	E2
U213	254TTDX4017	123	\$1,363	S2	U307	145TTFR4045	118	\$447	S2	U422 *	145TTDR4134	29	\$454	E2
U214	254TTDX4008	102, 123	\$1,363	S2	U308	145TTFR4054	101, 118	\$447	S2	U423 *	145TTDR4132	29	\$454	E2
U215	254TTDX4010	123	\$1,512	S2	U309	145TTFR4017	118	\$520	S2	U424 *	145TTDR4133	29	\$470	E2
U216	254TTDX4012	123	\$1,512	S2	U310	145TTFR4011	118	\$520	S2	U425 *	182TTDR4074	30	\$534	E2
U217	254TTDX4016	102, 123	\$1,512	S2	U311	145TTFR4023	101, 118	\$520	S2	U426	182TTDR4156	30	\$534	E2
U218	256TTDX4064	123	\$1,583	S2	U312	145TTFR4050	118	\$468	S2	U427 *	184TTDR4153	30	\$605	E2
U219	256TTDX4063	123	\$1,583	S2	U313	145TTFR4044	118	\$468	S2	U428 *	184TTDR4166	30	\$605	E2
U220	256TTDX4328	102, 123	\$1,583	S2	U314	145TTFR4128	101, 118	\$468	S2	U429	213TTDW4070	31	\$862	E2
U221	256TTDX4065	123	\$1,730	S2	U315	182TTFR4015	118	\$596	S2	U430 *	213TTDW4054	31	\$862	E2
U222		123	\$1,730	S2	U316	182TTFR4009	118	\$596	S2	U431		31	\$974	E2
U223	256TTDX4059	102, 123	\$1,730	S2	U317	182TTFR4021	101, 118	\$596	S2	U432 *	213TTDW4315	36	\$866	E2
U224	256TTDX4022	123	\$1,603	S2	U319	182TTFR4044	118	\$545	S2	U433 *	215TTDW4335	36	\$997	E2
U225	256TTDX4004	123	\$1,603	S2	U320	182TTFR4056	101, 118	\$545	S2	U435 *	215TTDW4315	36	\$1,262	E2
U226	256TTDX4023	102, 123	\$1,603	S2	U322	184TTFR4009	118	\$708	S2	U436 *	254TTDX74065	36	\$1,313	E2
U227	284TTDP4044	124	\$1,914	S2	U323	184TTFR4021	101, 118	\$708	S2	U437	254TTDX4315	36	\$1,511	E2
U228	284TTDP4058	124	\$1,914	S2	U325	184TTFR4042	118	\$708	S2	U438 *	256TTDX4345	36	\$1,564	E2

## Catalog Number/Model Number

CAT. NO.	MODEL NO.	PAGE NO.	LIST PRICE	MULT. SYMB.	CAT. NO.	MODEL NO.	PAGE NO.	LIST PRICE	MULT. SYMB.	CAT. NO.	MODEL NO.	PAGE NO.	LIST PRICE	MULT. SYMB.
U439 *	256TTDX4315	36	\$1,804	E2	U609 *	182TTFS4030	39, 44, 91	\$447	E1	U724 *	256TTFL4032	52	\$1,613	E8
U440	284TSTDP4062	36	\$1,892	E2	U610 *	213TTF4076	39, 44	\$654	E1	U725 *	284TTFPA4027	52	\$2,058	E8
U441 *	284TSTDP4306	36	\$2,224	E2	U611	184TTFR4003	39	\$555	E8	U726 *	286TTFPA4028	52	\$2,308	E8
U442	286TSTDP4328	36	\$2,155	E2	U613 *	184TTFS4001	39, 44	\$582	E1	U727 *	324TTFPA4028	52	\$3,195	E8
U443 *	286TSTDP4310	36	\$2,766	E2	U614	184TTFR4005	39, 91	\$555	E8	U728	326TTFPA4028	52	\$3,997	E8
U444	324TSTDP4070	36	\$2,734	E2	U615 *	184TTFS4005	39, 44, 91	\$582	E1	U729	364TTFS4038	52	\$5,858	E8
U445 *	324TSTDP4016	36	\$3,357	E2	U616	184TTFR4038	39	\$496	E8	U730 *	365TTFS4038	52	\$7,325	E8
U446	326TSTDP4055	36	\$3,121	E2	U618 *	184TTFC4026	39, 44	\$520	E1	U731 *	405TTFS4038	52	\$8,212	E8
U447 *	326TSTDP4310	36	\$3,762	E2	U619 *	184TTFR4040	39, 91	\$496	E8	U733 *	143TTFR4010	51	\$408	E8
U448	364TSTDS4355	36	\$3,915	E2	U620 *	184TTFS4030	39, 44, 91	\$520	E1	U735 *	145TTFR4009	51	\$447	E8
U449 *	364TSTDS4313	36	\$5,061	E2	U621 *	215TTF4076	39, 44	\$942	E1	U736	182TTFR4013	51	\$582	E8
U450	365TSTDS4634	36	\$4,641	E2	U622	213TTFW4003	39	\$725	E8	U737	182TTFR4007	51	\$642	E8
U451 *	365TSTDS4324	36	\$6,465	E2	U624 *	213TTFS4001	39, 44	\$762	E1	U738	184TTFR4013	51	\$684	E8
U452	404TSTDS4364	36	\$6,045	E2	U625	213TTFW4005	39, 91	\$725	E8	U739	184TTFR4007	51	\$684	E8
U453	404TSTDS4308	36	\$7,775	E2	U627	213TTFW4028	39	\$711	E8	U740	213TTFW4007	52	\$896	E8
U454		36	\$7,066	E2	U629 *	213TTFC4026	39, 44	\$746	E1	U741	213TTFW4020	52	\$896	E8
U455 *	405TSTDS4302	36	\$9,771	E2	U630 *	213TTFW4030	39, 91	\$711	E8	U742	213TTFW4008	52, 93	\$896	E8
U456	444TSTDS4056	36	\$9,903	E2	U631 *	213TTFS4030	39, 44, 91	\$746	E1	U743	215TTFW4013	52	\$947	E8
U500	256TTDX4024	129	\$1,628	E2	U632 *	254TTFL14076	39	\$1,180	E8	U744	215TTFW4020	52	\$947	E8
U501	256TTDX4020	129	\$1,628	E2	U633 *	254TTF4076	39, 44	\$1,239	E1	U746	254TTFL4004	52	\$1,355	E8
U502	284TTDP4027	129	\$1,612	E2	U634	215TTFW4003	40	\$847	E8	U748	256TTFL4004	52	\$1,724	E8
U503	284TTDP4047	129	\$1,612	E2	U636 *	215TTFS4001	40, 45	\$889	E1	U749 *	284TSTFPA14003	52	\$2,242	E8
U504	284TSTDP4002	129	\$1,942	E2	U637	215TTF4005	40, 45, 91	\$889	E1	U750 *	286TSTPA14002	52	\$2,442	E8
U505		129	\$1,942	E2	U638	254TTFPA4005	40, 45, 91	\$1,234	E1	U756	254TTFL4081	52	\$1,361	E8
U506 *	286TTDP4041	129	\$1,875	E2	U639 *	215TTF4026	40, 45	\$904	E1	U757	256TTFL4079	52	\$1,684	E8
U507		129	\$1,875	E2	U640 *	215TTFW4030	40, 91	\$861	E8	U758 *	143TTDR6027	57	\$433	E2
U508	286TSTDP4022	129	\$2,486	E2	U641 *	215TTFS4030	40, 45	\$904	E1	U759 *	145TTDR6028	57	\$452	E2
U509	286TSTDP4023	129	\$2,486	E2	U642 *	256TTFC4076	40, 45	\$1,579	E1	U760 *	145TTDR6029	57	\$512	E2
U510 *	324TTDP4038	129	\$2,332	E2	U643	254TTFL14004	40	\$1,175	E8	U763 *	213TTDC6026	57	\$764	E2
U511		129	\$2,332	E2	U644 *	254TTFPA4001	40, 45	\$1,234	E1	U764 *	213TTDC6001	57	\$872	E2
U512 *	324TSTDP4010	129	\$2,954	E2	U645	254TTFL14005	40, 91	\$1,175	E8	U765 *	215TTDC6026	57	\$902	E2
U513	324TSTDP4007	129	\$2,954	E2	U646	254TTFL14027	40	\$1,167	E8	U766 *	215TTDC6001	57	\$1,170	E2
U514	326TTDP4345	129	\$2,718	E2	U647 *	254TTFC4026	40, 45	\$1,226	E1	U767 *	254TTDC6026	57	\$1,200	E2
U515 *	326TTDP4344	129	\$2,718	E2	U648 *	254TTFNA4030	40, 45, 91	\$1,226	E1	U768 *	254TTDC6001	58	\$1,472	E2
U516 *	326TSTDP4024	129	\$3,359	E2	U649 *	256TTFNA4001	40, 45	\$1,620	E1	U769 *	256TTDC6026	58	\$1,465	E2
U517	326TSTDP4022	129	\$3,359	E2	U650	256TTFNA4005	40, 45, 91	\$1,620	E1	U770 *	256TTDC6001	58	\$1,824	E2
U518 *	364TSTDS4332	129	\$3,425	E2	U651	256TTFL14027	40	\$1,437	E8	U771 *	284TTDC6026	58	\$1,824	E2
U519	364TSTDS4337	129	\$3,425	E2	U652 *	256TTF4026	40, 45	\$1,509	E1	U772	284TSTDC6001	58	\$2,119	E2
U520	364TTDS4328	129	\$3,425	E2	U653 *	256TTFNA4030	40, 45, 91	\$1,509	E1	U773 *	286TTDC6026	58	\$1,979	E2
U521		129	\$3,425	E2	U654	284TSTFPA4005	41, 45, 91	\$1,957	E1	U774 *	286TSTDC6001	58	\$2,791	E2
U522 *	364TSTDS4025	130	\$4,604	E2	U655	284TTFPA4028	41, 45	\$1,778	E1	U775 *	324TTDC6026	58	\$2,609	E2
U523	364TSTDS4024	129	\$4,604	E2	U659 *	326TTFPA4030	41, 45, 91	\$3,595	E1	U776 *	324TSTDC6001	58	\$3,403	E2
U524 *	365TSTDS4332	130	\$4,172	E2	U660 *	364TTFS4040	41, 45, 92	\$5,275	E1	U777 *	326TTDC6026	58	\$3,152	E2
U525	365TSTDS4347	130	\$4,172	E2	U661 *	405TFS4040	42, 46, 92	\$8,132	E1	U778	326TSTDC6001	58	\$4,071	E2
U526 *	365TSTDS4025	130	\$6,047	E2	U662	444TTFS4040	42, 46, 92	\$10,490	E1	U779 *	364TTDC6060	58	\$3,468	E2
U527 *	365TSTDS4303	130	\$6,047	E2	U663	445TTFN4086	42, 46	\$13,392	E1	U782 *	364TSTDC6001	58	\$5,379	E2
U528 *	404TSTDS4332	130	\$5,321	E2	U667	445TTFN4049	42, 46, 92	\$15,500	E1	U783 *	365TTDC6060	58	\$4,278	E2
U529 *	405TSTDS4333	130	\$5,402	E2	U669	445TTFN4059	42, 46	\$15,500	E1	U784 *	365TSTDC6001	58	\$6,081	E2
U530 *	404TSTDS4017	130	\$7,523	E2	U670 *	215TTFW4007	40	\$1,175	E8	U785	447TSTDN16604	58	\$16,694	E2
U531	404TSTDS14008	130	\$7,523	E2	U671 *	213TTFS4005	39, 44, 91	\$762	E1	U787		58	\$18,456	E2
U532 *	405TSTDS4332	130	\$6,371	E2	U672 *	145TTTN4080	37, 90	\$437	E1	U788		58	\$19,475	E2
U533	405TSTDS4333	130	\$6,371	E2	U701 *	143TTFR4032	50	\$382	E8	U789	447TTDN16041	58	\$16,013	E2
U534 *	405TSTDS4006	130	\$9,152	E2	U703	145TTFR4046	51	\$388	E8	U790		58	\$23,071	E2
U535 *	444TSTDS4332	130	\$9,201	E2	U704 *	145TTFR4058	51	\$388	E8	U791		58	\$21,422	E2
U536 *	444TSTDS4010	130	\$14,236	E2	U705	145TTFR4052	51, 93	\$388	E8	U792		58	\$19,542	E2
U537 *	445TSTDS4332	130	\$11,624	E2	U706	145TTFR4070	51	\$416	E8	U793		58	\$24,762	E2
U600		38	\$449	E8	U707 *	145TTFR4040	51	\$416	E8	U794		58	\$23,442	E2
U601	145TTTN4032	38, 44	\$380	E1	U708	145TTFR4126	51, 93	\$416	E8	U795		59	\$31,299	E2
U602 *	182TTFS4001	38, 44	\$471	E1	U710	182TTFR4042	51	\$574	E8	U796		59	\$30,536	E2
U603	182TTFR4005	38, 91	\$449	E8	U713	184TTFR4044	51	\$625	E8	U797		59	\$37,869	E2
U604	182TTFS4005	38, 44, 91	\$471	E1	U716 *	213TTFW4045	51	\$809	E8	U798	324TTDC6076	58	\$2,872	E2
U605	182TTFR4038	39	\$425	E8	U718	215TTFW4033	52	\$895	E8	U799	326TTDC6076	58	\$2,995	E2
U606	145TTTN4030	38, 44	\$418	E1	U721	254TTFL4033	52	\$1,343	E8	U815 *	256TTFNA14004	52	\$1,808	E8
U607 *	182TTFC4026	39, 44	\$447	E1	U722 *	254TTFL4032	52	\$1,343	E8	U830 *	324TSTFPA14003	52	\$3,232	E8
U608 *	182TTFR4040	39, 91	\$425	E8	U723	254TTFL4035	52, 93	\$1,343	E8	U834 *	326TSTFPA14003	52	\$4,325	E8

\*Stock Model

# Index

## Catalog Number/Model Number

CAT. NO.	MODEL NO.	PAGE NO.	LIST PRICE	MULT. SYMB.	CAT. NO.	MODEL NO.	PAGE NO.	LIST PRICE	MULT. SYMB.	CAT. NO.	MODEL NO.	PAGE NO.	LIST PRICE	MULT. SYMB.
U838 *	364TSTFS14003	52	\$6,196	E8	U948 *	215TTGS1026	87	\$1,286	E7	W520 *	182THTS19033	69, 96	\$999	E9
U842 *	365TSTFS14002	52	\$7,265	E8	U949	256TTGN1076	87	\$2,204	E7	W521 *	213THFS9076	69, 175	\$1,515	E9
U845 *	405TSTFS14002	52	\$9,886	E8	U950 *	254TTGP1001	87	\$1,758	E7	W522	215THFS9101	69	\$2,269	E9
U867 *	182TTFS4557	47, 167	\$789	S3	U951 *	254TTGN1026	87	\$1,687	E7	W523 *	184THFS9001	70, 175	\$1,238	E9
U868 *	184TTFS4555	47, 167	\$862	S3	U952	284TTGN1076	87	\$3,032	E7	W524	184THFS19006	70, 96	\$1,238	E9
U869 *	213TTFS4550	47, 167	\$1,088	S3	U953	256TTGN1001	87	\$2,254	E7	W525 *	184THFS9026	70, 175	\$1,158	E9
U870 *	215TTFS4546	47, 167	\$1,246	S3	U954 *	256TTGN1026	87	\$2,049	E7	W526 *	184THFS9030	70, 96	\$1,158	E9
U871 *	254TFNA4549	47, 167	\$1,608	S3	U955	286TTGN1076	87	\$3,576	E7	W527 *	215THFS9076	70, 175	\$1,860	E9
U872 *	256TFNA4532	47, 167	\$1,891	S3	U956	284TSTGP1001	87	\$2,866	E7	W528	215THFS19077	70, 96	\$1,860	E9
U873 *	284TFPA4545	47, 167	\$2,241	S3	U957 *	284TTGP1026	87	\$2,561	E7	W529	254THFNA9101	70	\$2,958	E9
U874 *	286TFPA4544	47, 167	\$2,622	S3	U958	324TTGP1076	87	\$4,472	E7	W530 *	213THTS9001	70, 175	\$1,495	E9
U875 *	324TFPA4540	47, 167	\$3,399	S3	U959	286TSTGP1001	88	\$3,108	E7	W531	213THTS19005	70, 96	\$1,495	E9
U876 *	326TFPA4550	47, 167	\$4,201	S3	U960 *	286TTGP1026	88	\$3,007	E7	W532 *	213THFS9026	70, 175	\$1,419	E9
U877	364TTFS4550	47, 167	\$5,991	S3	U961	326TTGS1076	88	\$5,295	E7	W533	213THFS9030	70, 96	\$1,419	E9
U878	365TTFS4560	47, 167	\$7,458	S3	U962	324TSTGP1001	88	\$4,157	E7	W534 *	254THFNA9076	70, 175	\$2,233	E9
U879	405TTFS4560	47, 167	\$9,236	S3	U963 *	324TTGP1026	88	\$3,971	E7	W535	70, 96	\$2,233	E9	
U880	444TTFS4546	47, 167	\$11,890	S3	U964	364TTGS1086	88	\$6,984	E7	W536	256THFNA9101	70	\$3,668	E9
U881 *	445TFN4826	47, 167	\$14,158	S3	U965	326TSTGP1001	88	\$5,478	E7	W537 *	215THFS9001	70, 175	\$1,746	E9
U882	445TFN4574	47, 167	\$16,900	S3	U966 *	326TTGP1026	88	\$4,911	E7	W538	215THFS19006	70, 96	\$1,746	E9
U884	445TFN4575	47, 167	\$19,095	S3	U967	365TTGS1086	88	\$7,982	E7	W539 *	215THFS9026	70, 175	\$1,709	E9
U900	254TDX4018	31	\$1,334	E2	U968	364TSTGS1001	88	\$7,959	E7	W540 *	215THFS19033	70, 96	\$1,709	E9
U901	284TSTDP4004	32	\$1,942	E2	U969 *	364TTGS1036	88	\$7,292	E7	W541 *	256THFNA9076	70, 175	\$2,727	E9
U902	286TSTDP4017	32	\$2,486	E2	U970	404TTGS1086	88	\$9,415	E7	W542	256THFNA19081	70, 96	\$2,727	E9
U903	404TDS4042	33, 89	\$5,175	E2	U971	365TSTGS1001	88	\$9,280	E7	W543	284THFNA19102	70	\$4,459	E9
U904	405TDS4049	33, 89	\$6,196	E2	U972 *	365TTGS1036	88	\$9,049	E7	W544 *	254THFNA9001	70, 175	\$2,165	E9
U905	145TTDR4103	29	\$364	E2	U973 *	405TTGS1086	88	\$11,037	E7	W545	70, 96	\$2,165	E9	
U906	145TTDR4005	29, 89	\$364	E2	U974	405TSTGS1001	88	\$12,513	E7	W546 *	254THFNA9026	70, 175	\$2,033	E9
U907 *	213TTDW4078	30	\$695	E2	U975 *	405TTGS1036	88	\$11,044	E7	W547 *	254THFNA9030	70, 96	\$2,033	E9
U908	182TTDR4106	30, 89	\$438	E2	U976	444TTGS11077	88	\$15,492	E7	W548 *	284THFNA9076	70, 175	\$3,620	E9
U909	324TSTDP4006	32	\$2,954	E2	U977	444TSTGS1001	88	\$17,420	E7	W549	284TFNA16585	70, 96	\$3,620	E9
U910	326TSTDP4003	32	\$3,359	E2	U978 *	444TTGS1036	88	\$14,358	E7	W550	286THFNA19101	70	\$5,594	E9
U911	444TDS4069	33, 89	\$8,949	E2	U979	445TTGN1086	88	\$18,440	E7	W551 *	256THFNA9001	70, 175	\$2,683	E9
U912	445TDS4070	33, 89	\$11,305	E2	U980	445TSTGN1001	88	\$20,490	E7	W552	70, 96	\$2,683	E9	
U913	143TTDR4029	34	\$278	E2	U981	445TTGN1036	88	\$17,076	E7	W553 *	256THFNA9026	70, 175	\$2,533	E9
U914	34	\$303	E2	U982	445TTGN1087	88	\$20,115	E7	W554 *	256THFNA9033	70, 96	\$2,533	E9	
U915	34	\$334	E2	U983	88	\$25,130	E7	W555	286THFNA9076	70, 175	\$4,410	E9		
U916	182TTDR4129	34	\$416	E2	U984	445TTGN1038	88	\$19,661	E7	W556	286THFNA19077	70, 96	\$4,410	E9
U917	34	\$487	E2	U985	449TTGS1088	88	\$24,295	E7	W557	70	\$6,751	E9		
U918	213TTDW4029	34	\$708	E2	U986	143TTGN4032	80	\$775	E7	W558 *	284THFNA9001	70, 175	\$3,305	E9
U919	34	\$855	E2	U987	145TTGN4051	80	\$825	E7	W559	284THFNA9005	70, 97	\$3,305	E9	
U920	34	\$1,137	E2	U988	145TTGN4050	80	\$874	E7	W560 *	284THFNA9026	70, 175	\$3,015	E9	
U921	145TTDR4053	34	\$303	E2	U989	182TTGS4041	80	\$996	E7	W561 *	284THFNA19033	70, 97	\$3,015	E9
U922	143TTDR4055	28, 89	\$396	E2	U990	184TTGS4044	80	\$1,093	E7	W562	324THFS9076	70, 175	\$5,346	E9
U923 *	145TTDR4130	29, 89	\$421	E2	U991	213TTGS4040	80	\$1,479	E7	W563	324THFS9080	70, 97	\$5,346	E9
U924	145TTDR4136	30, 89	\$454	E2	U992	215TTGS4039	81	\$1,725	E7	W564	70	\$7,786	E9	
U925	182TTDR4075	30, 89	\$534	E2	W500	69	\$808	E9	W565 *	286THFNA9001	70, 175	\$3,860	E9	
U926	213TTDW4071	31	\$862	E2	W501 *	143THTN9026	69	\$618	E9	W566	70, 97	\$3,860	E9	
U930 *	143TTGN1026	87	\$538	E7	W502 *	143THTN19033	69, 96	\$618	E9	W567 *	286THFNA9026	70, 175	\$3,507	E9
U931	145TTGN1076	87	\$632	E7	W503 *	145THTN9076	69	\$778	E9	W568 *	286THFNA19033	70, 97	\$3,507	E9
U932	143TTGN1001	87	\$563	E7	W504	182THFS9102	69	\$1,367	E9	W569 *	326THFS9076	70, 175	\$6,157	E9
U933 *	145TTGN1026	87	\$566	E7	W505	143THTN9001	69	\$774	E9	W570	70	\$9,115	E9	
U934	182TTGS1076	87	\$683	E7	W506	143THTN9005	69, 96	\$774	E9	W571 *	324THFS9001	70, 175	\$5,090	E9
U935	145TTGN1001	87	\$628	E7	W507 *	145THTN9026	69	\$670	E9	W572	70, 97	\$5,090	E9	
U936 *	145TTGN1027	87	\$605	E7	W508 *	145THTN19045	69, 96	\$670	E9	W573 *	324THFS9026	70, 175	\$4,657	E9
U937 *	184TTGS1076	87	\$791	E7	W509 *	182THTS9076	69, 175	\$996	E9	W574 *	324THFS19033	70, 97	\$4,657	E9
U938	182TTGS1001	87	\$708	E7	W510	69	\$1,577	E9	W575	364THFS9086	70, 175	\$7,677	E9	
U939 *	182TTGS1026	87	\$709	E7	W511	145THTN9001	69	\$811	E9	W576	365THFS19101	70	\$10,946	E9
U940 *	213TTGS1076	87	\$1,016	E7	W512	145THTN19002	69, 96	\$811	E9	W577 *	326THFS9001	71, 176	\$6,584	E9
U941 *	184TTGS1001	87	\$891	E7	W513 *	145THTN9027	69	\$736	E9	W578	326THFS9005	71, 97	\$6,584	E9
U942 *	184TTGS1026	87	\$789	E7	W514 *	145THTN19033	69, 96	\$736	E9	W579	326THFS9036	71	\$5,720	E9
U943 *	215TTGS1076	87	\$1,347	E7	W515 *	184THTS9076	69, 175	\$1,230	E9	W580 *	326THFS9026	71, 176	\$5,720	E9
U944 *	213TTGS1001	87	\$1,141	E7	W516	69	\$1,837	E9	W581 *	326THFS19033	71, 97	\$5,720	E9	
U945 *	213TTGS1026	87	\$1,083	E7	W517 *	182THTS9001	69, 175	\$1,114	E9	W582 *	365THFS9086	71, 176	\$8,816	E9
U946	254TTGN1076	87	\$1,800	E7	W518	69, 96	\$1,114	E9	W583	404THFS9101	71	\$12,316	E9	
U947 *	215TTGS1001	87	\$1,313	E7	W519 *	182THTS9026	69, 175	\$999	E9	W584 *	364THFS9001	71, 176	\$7,969	E9

\*Stock Model

SB300 - Prices and Specifications are subject to change without notice.

**Catalog Number/Model Number**

CAT. NO.	MODEL NO.	PAGE NO.	LIST PRICE	MULT. SYMB.	CAT. NO.	MODEL NO.	PAGE NO.	LIST PRICE	MULT. SYMB.	CAT. NO.	MODEL NO.	PAGE NO.	LIST PRICE	MULT. SYMB.
W585		71, 97	\$7,969	E9	X011 *	48A17O2005	136, 142	\$147	F1	X084 *	48A11O663	137	\$166	F1
W586	364TSHFS9026	71, 176	\$7,549	E9	X012 *	48A17O2006	136, 142	\$137	F1	X085 *	48A11O678	137	\$206	F1
W587 *	364THFS9036	71, 176	\$7,549	E9	X013 *	48A17O152	142	\$135	F1	X086 *	48A8O2001	137	\$206	F1
W588 *	364THFS19033	71, 97	\$7,549	E9	X014 *	48A17O154	142	\$137	F1	X087 *	48A11O2029	136	\$124	F1
W589	404THFS9086	71, 176	\$10,330	E9	X015 *	48A17O151	142	\$143	F1	X088 *	48A11O2032	137	\$133	F1
W590		71	\$13,819	E9	X016 *	48A17O153	142	\$160	F1	X089 *	48A11O2035	137	\$150	F1
W591 *	365TSHFS9001	71, 176	\$10,007	E9	X017 *	48A17O155	142	\$162	F1	X090 *	48A11O2007	137	\$194	F1
W592	365TSHFS19002	71, 97	\$10,007	E9	X018 *	48A11O1350	142	\$139	F1	X096 *	48A11O840	137	\$178	F1
W593	365TSHFS9026	71, 176	\$9,571	E9	X019 *	48A11O1351	142	\$148	F1	X097 *	48A8O182	136	\$183	F1
W594 *	365THFS9036	71, 176	\$9,571	E9	X020 *	48A11O1352	142	\$165	F1	X098 *	48A8O181	137	\$247	F1
W595 *	365THFS9044	71, 97	\$9,571	E9	X021 *	48A11O1353	142	\$190	F1	X099 *	48A11O2016	137	\$207	F1
W596	405THFS9086	71, 176	\$12,159	E9	X022 *	48A17O174	142	\$178	F1	X200	48A11O1060	161	\$137	F1
W597	444THFS9101	71	\$18,375	E9	X023 *	48A11O1583	142	\$211	F1	X202	48A11O1063	157	\$129	F1
W598 *	405TSHFS9001	71, 176	\$13,409	E9	X024 *	48A17T2002	181	\$166	F1	X203 *	48A11O1062	154	\$201	F1
W599	405TSHFS9026	71, 176	\$11,824	E9	X025 *	48A17T2003	181	\$184	F1	X204	48A17O126	153	\$162	F1
W600 *	405THFS9036	71, 176	\$11,824	E9	X026 *	48A17T2004	181	\$200	F1	X205 *	56A11O5312	157	\$339	F1
W601	405THFS9040	71, 97	\$11,824	E9	X027 *	48A11T2021	181	\$180	F1	X206 *	56A11O5310	138	\$370	F1
W602		176	\$17,931	E9	X028 *	48A11T2022	181	\$195	F1	X207 *	56A11O5311	138	\$351	F1
W603	445THFN9106	71	\$22,518	E9	X029 *	48A11T2023	181	\$209	F1	X208 *	56A8O5	137	\$379	F1
W604	444TSHFS9001	71, 176	\$17,530	E9	X030 *	48A17T118	181	\$203	F1	X209 *	48A8O183	142, 160	\$177	F1
W606	444THFS9036	71, 176	\$15,566	E9	X031 *	48A17T237	181	\$224	F1	X210 *	48A11O1068	154	\$136	F1
W607 *	444THFS9040	71	\$15,566	E9	X032 *	48A17T119	181	\$247	F1	X211 *	48A17O125	142, 156	\$231	F1
W608	445THFN9086	71, 176	\$20,412	E9	X033 *	48A11O1674	142, 160	\$135	F1	X212	48A11O1065	161	\$135	F1
W609	445THFN9102	71	\$23,128	E9	X034 *	48A11O1773	143	\$149	F1	X213 *	48A11O1524	136	\$120	F1
W610 *	445TSHFN9001	71, 176	\$21,058	E9	X035 *	48A11O1774	143	\$160	F1	X214 *	48A11O1525	137	\$129	F1
W611	445TSHFN9026	97, 176	\$18,096	E9	X036 *	48A11O1772	143	\$177	F1	X215 *	48A11O1081	161	\$135	F1
W612 *	445THFN9036	71, 176	\$18,096	E9	X037 *	48A11O1876	143	\$278	F1	X216 *	48A11O1097	137, 160	\$124	F1
W613	445THFN9037	71, 97	\$18,096	E9	X038 *	48A11O1874	143	\$284	F1	X217 *	48A17O129	158	\$157	F1
W614	445THFN9087	71, 176	\$22,839	E9	X039 *	48A11O1875	143	\$289	F1	X218 *	56A11O5313	161	\$358	F1
W615	449THFS9101	71	\$29,415	E9	X040 *	48A17O69	144	\$152	F1	X219 *	48A11O2047	142	\$123	F1
W616	445TSHFN9005	71, 176	\$26,639	E9	X041 *	48A17O70	144	\$160	F1	X221 *	48A11O1526	137	\$147	F1
W617 *	445TSHFN9028	71, 176	\$22,009	E9	X042 *	48A11O653	144	\$139	F1	X222 *	48A11O1109	154	\$169	F1
W618	445THFN9038	71, 176	\$22,009	E9	X043 *	48A11O654	144	\$139	F1	X223 *	48A11O2050	154	\$136	F1
W619	449THFS9030	71	\$25,310	E9	X044 *	48A11O655	144	\$148	F1	X225 *	48A11O1176	158	\$190	F1
W620		71, 176	\$25,310	E9	X045 *	48A11O656	144	\$156	F1	X230 *	48A17O136	159, 165	\$168	F1
W621	449THFS9046	71, 176	\$27,957	E9	X048	48A11O772	144	\$124	F1	X231 *	48A11O1179	153	\$160	F1
W622	449THFS9088	71, 176	\$27,957	E9	X049 *	48A11O773	144	\$124	F1	X233 *	48A11T342	157	\$180	F1
W624	449TSHFS9003	72, 176	\$33,596	E9	X050 *	48A11O774	144	\$133	F1	X235 *	56T11D5209	155	\$436	F1
W625		72, 176	\$27,612	E9	X052 *	48A11O775	144	\$141	F1	X236 *	48A11O699	142, 155, 160	\$161	F1
W626	449THFS9028	72, 176	\$31,755	E9	X056 *	48A11O901	144	\$136	F1	X237	48A11O694	142, 155	\$164	F1
W627		72, 176	\$31,755	E9	X057	48A11O900	144	\$136	F1	X241 *	48A11O697	142, 155	\$207	F1
W628		72, 176	\$32,138	E9	X058 *	48A17O2001	144	\$180	F1	X242 *	48A11O756	142, 155	\$351	F1
W629		72, 176	\$32,138	E9	X059 *	48A17O2002	144	\$137	F1	X251 *	56T34D5364	150, 155	\$608	F1
W630 *	449THFS19079	71, 97	\$27,957	E9	X060 *	48A17O2003	144	\$147	F1	X258 *	48A11O1167	144	\$137	F1
W631		72, 176	\$43,547	E9	X061 *	48A11O2022	144	\$148	F1	X259 *	56T11O15	159	\$232	F1
W632	449THFS9027	72, 176	\$32,390	E9	X062 *	48A11O2009	144	\$176	F1	X260 *	48A11O251	158	\$172	F1
W633		72, 176	\$32,390	E9	X063 *	48A11O2028	144	\$197	F1	X261 *	48A8O151	158	\$181	F1
W634	449TSHF9001	72, 176	\$49,938	E9	X064 *	48A11O2011	144	\$123	F1	X262 *	48A11D245	165	\$169	F1
W635	449THFS9036	72, 176	\$41,174	E9	X065 *	48A11O2012	144	\$123	F1	X263 *	48A11O11041	165	\$161	F1
W636		71	\$17,931	E9	X066 *	48A11O2013	144	\$133	F1	X264 *	48A11O11040	165	\$164	F1
W638	145THTN19079	69	\$778	E9	X067 *	48A11O2014	144	\$161	F1	X268 *	48A11O1239	162, 165	\$206	F1
W639	364THFS19077	70	\$7,677	E9	X068 *	48A11O2015	144	\$183	F1	X269 *	48A17O147	159, 165	\$187	F1
W640	365THFS19077	71	\$8,816	E9	X069	48A17O2004	144	\$165	F1	X270 *	48A17O149	161, 165	\$201	F1
W641	445THFN19033	71	\$18,096	E9	X070 *	48A11O2024	144	\$156	F1	X271 *	56A11O5305	138	\$422	F1
W642 *	445THFN19034	71, 97	\$25,310	E9	X071 *	48A11O2026	144	\$176	F1	X273	48A17O161	154	\$127	F1
W643	326THFS19078	70	\$6,157	E9	X072 *	48A11T646	151	\$178	F1	X274 *	48A11T407	157	\$168	F1
X000 *	48A11OB1798	142	\$129	F1	X073 *	48A11O11064	152	\$139	F1	X278 *	48A8O206	137, 160	\$168	F1
X001 *	48A11O1799	142	\$133	F1	X074 *	48A11O11042	152	\$161	F1	X290 *	48S11D58	156	\$144	F1
X002 *	48A11OB1769	142	\$139	F1	X075 *	48A11O11063	152	\$172	F1	X295 *	48A11O1410	162	\$183	F1
X003 *	48A11OB2042	142	\$141	F1	X076 *	48A11T11006	151	\$191	F1	X297 *	48A11T509	137, 160	\$131	F1
X004	48A11OB1755	142	\$156	F1	X077 *	48A11O11066	152	\$135	F1	X298 *	48A11O2059	137	\$172	F1
X005 *	48A11O1756	142	\$158	F1	X080 *	48A11O2030	136	\$136	F1	X301 *	48A17T72	166	\$136	F1
X006 *	48A11O2001	142	\$127	F1	X081 *	48A11O2031	136	\$153	F1	X302 *	48A11T199	166	\$141	F1
X009 *	48A11O787	142	\$182	F1	X082 *	48A11O2033	136	\$148	F1	X303 *	48A11T198	166	\$149	F1
X010 *	48A11O2046	142	\$185	F1	X083 *	48A11O2034	136	\$162	F1	X304 *	48A11T201	166	\$166	F1

\*Stock Model



# Index

## Catalog Number/Model Number

CAT. NO.	MODEL NO.	PAGE NO.	LIST PRICE	MULT. SYMB.	CAT. NO.	MODEL NO.	PAGE NO.	LIST PRICE	MULT. SYMB.	CAT. NO.	MODEL NO.	PAGE NO.	LIST PRICE	MULT. SYMB.
X305 *	48A17T2001	166	\$153	F1	X525 *	56T11O5310	140, 165	\$476	F1	Y261		111	\$59,902	S6
X306 *	48A11T2005	166	\$158	F1	X526 *	56T11O5309	103, 141	\$1,787	F1	Y262		111	\$94,780	S6
X307 *	48A11T2006	166	\$166	F1	X527 *	56T8O5304	103, 141	\$522	F1	Y263		111	\$61,908	S6
X308 *	48A11T2007	166	\$183	F1	X528 *	56T8O5306	140, 165	\$539	F1	Y270	182THFR7730	107, 193	\$850	E3
X400 *	48A11O2017	137	\$180	F1	X529 *	56T8O5531	140, 165	\$480	F1	Y301		183	\$655	E6
X405 *	48A11O1744	154	\$220	F1	X530 *	56T8O5307	141	\$564	F1	Y302 *	184TTDR7611	183	\$697	E6
X411 *	48A11T2008	138, 160	\$124	F1	X531 *	56T8O15504	165, 140	\$586	F1	Y303 *	184TTDR7612	183	\$739	E6
X412 *	48A11TB569	138	\$136	F1	X532 *	56T11O11001	140	\$330	F1	Y304 *	215TTDW7301	183	\$975	E6
X413 *	48A11TB529	138	\$145	F1	X533 *	56T11O11002	140	\$355	F1	Y360 *	56H17T2017	193	\$301	E3
X414 *	48A11TB571	138	\$161	F1	X600	48C17D2057	186	\$222	F1	Y361 *	56H17T2019	107, 193	\$301	E3
X415 *	48A11T2012	138	\$173	F1	X601 *	56C17D2101	186	\$263	F1	Y362 *	56H17F2017	193	\$372	E3
X416 *	48A11T2013	138	\$190	F1	X602 *	56C17D2102	186	\$324	F1	Y363	56H17F2015	107, 193	\$372	E3
X417 *	48A11O2051	142	\$136	F1	X603 *	56C17D5346	186	\$408	F1	Y364 *	56H17F2021	193	\$419	E3
X418 *	48A11O2052	142	\$144	F1	X605 *	48T17D2002	186	\$249	F1	Y365 *	56H17F2019	107, 193	\$419	E3
X419 *	48A11O2053	142	\$161	F1	X606	56T17D3318	186	\$289	F1	Y366 *	145THFR5329	193	\$521	E3
X420 *	48A17O169	136	\$183	F1	X607	56T17D3320	186	\$347	F1	Y367 *	145THFR5330	107, 193	\$521	E3
X422 *	48A17O172	137	\$232	F1	X608	56T17D3319	186	\$421	F1	Y368 *	145THFR5329	193	\$691	E3
X423 *	48A11O2055	136	\$141	F1	X609	56T11D5317	186	\$539	F1	Y369 *	145THFR5330	107, 193	\$691	E3
X424 *	48A11O2054	137	\$160	F1	X610 *	56T34D5375	186	\$303	F1	Y370 *	182THFR5329	193	\$815	E3
X426 *	48A11O1375	137, 165	\$251	F1	X700 *	48S17D2102	161, 166	\$108	F1	Y371	182THFR5330	107, 193	\$815	E3
X427 *	48A11T2017	138	\$141	F1	X701 *	48S17D1084	161, 166	\$117	F1	Y372 *	184THFR7726	193	\$967	E3
X428 *	48A11T2018	138	\$157	F1	X900 *	56S17T2002	182	\$225	F1	Y373	184THFR7736	107, 193	\$967	E3
X429 *	48A11T2020	138	\$149	F1	X902 *	56B17F5324	185	\$425	F1	Y374 *	56H17T2018	194	\$301	E3
X430 *	48A11T463	138	\$162	F1	X903 *	48S17T2001	182	\$147	F1	Y375	56H17T2020	107, 194	\$301	E3
X431 *	48A11O1461	140	\$245	F1	X904 *	48S17T2000	182	\$166	F1	Y376 *	56H17F2018	194	\$372	E3
X432 *	56A11O29	139	\$311	F1	X905	56C17T5301	182	\$291	F1	Y377	56H17F2016	107, 194	\$372	E3
X433 *	56A11O30	139	\$370	F1	X906	56C17T5302	182	\$341	F1	Y378 *	56H17F2022	194	\$419	E3
X440 *	48A11O2065	137	\$111	F1	X908	56B17T5302	182	\$401	F1	Y379 *	56H17F2020	107, 194	\$419	E3
X441 *	48A11O2062	137	\$136	F1	X909 *	48S17T2004	182	\$145	F1	Y380	184TTF57290	168	\$1,287	S3
X442 *	48A11O2064	137	\$145	F1	X910 *	48S17T366	182	\$188	F1	Y381 *	213TTF57238	168	\$1,423	S3
X443 *	48A11O2063	137	\$161	F1	X911 *	48S17T365	182	\$236	F1	Y382 *	215TTF57290	168	\$1,845	S3
X444 *	48A11O1596	137	\$214	F1	X912 *	56B17T5303	181	\$371	F1	Y383 *	254TTFNA7210	168	\$2,223	S3
X445	48A11O1732	139	\$190	F1	X913 *	56B17T20	181	\$284	F1	Y384 *	256TTFNA7250	168	\$2,777	S3
X446 *	48A11O1643	139	\$209	F1	X920 *	48A17T2005	162	\$189	F1	Y385 *	284TTFNA7240	168	\$3,465	S3
X447 *	48A11O1642	139	\$280	F1	X921 *	48A17T2006	162	\$206	F1	Y386 *	286TTFNA7260	168	\$4,044	S3
X448 *	56A11O5314	139	\$302	F1	X922 *	48A17T2007	162	\$227	F1	Y387 *	324TTF57290	168	\$4,935	S3
X449 *	56A11O5315	139	\$347	F1	X923 *	48A11T2024	162	\$220	F1	Y388 *	326TTF59210	168	\$6,167	S3
X450 *	48A8T71	138	\$153	F1	X924 *	48A11T2025	162	\$238	F1	Y389 *	364TTF59234	168	\$7,844	S3
X451 *	48A8T72	138	\$161	F1	X925 *	48A11T2026	162	\$265	F1	Y390 *	365TTF59230	168	\$11,353	S3
X452 *	48A8T73	138	\$198	F1	Y201	215TTDW7376	189	\$1,205	S7	Y391 *	405TTF57297	168	\$14,685	S3
X453 *	48A11O1771	137	\$180	F1	Y202	215TTDW7377	189	\$1,392	S7	Y392	444TTF57262	168	\$17,761	S3
X454 *	48A17O2050	137	\$232	F1	Y203	254TTDX7377	189	\$1,791	S7	Y393 *	286THTNA7026	195	\$4,447	E3
X455 *	48A11O1770	137	\$207	F1	Y204 *	256TTDX7391	189	\$2,209	S7	Y394 *	286THTNA7036	108, 195	\$4,447	E3
X456 *	48A11T578	138	\$162	F1	Y209 *	365TTDS7383	189	\$6,263	S7	Y395	284THFPA8086	197	\$5,354	E3
X457 *	48A11T579	138	\$172	F1	Y210 *	404TTDS7387	189	\$7,567	S7	Y409 *	182TTDR7211	169	\$883	S3
X458 *	48A11T580	138	\$190	F1	Y211 *	405TTDS7697	189	\$8,926	S7	Y412 *	184TTDR7215	169	\$919	S3
X459 *	48A11T581	138	\$214	F1	Y212 *	444TTDS8699	189	\$10,020	S7	Y415 *	215TTDW7203	169	\$1,286	S3
X462 *	48A11T619	138	\$253	F1	Y213	445TTDS9477	189	\$13,361	S7	Y418 *	254TTDX7208	170	\$1,595	S3
X463	48A17T356	138	\$153	F1	Y215 *	284TTDP7692	189	\$2,672	S7	Y449 *	145TTDR5703	169	\$730	S3
X464 *	48A17T359	138	\$185	F1	Y216 *	286TTDP7689	189	\$3,251	S7	Y450	145TTDR5704	169	\$730	S3
X465 *	48A8T11002	138	\$149	F1	Y217 *	324TTDP7687	189	\$3,991	S7	Y451 *	145TTDR5705	169	\$801	S3
X500 *	56T11O5300	141	\$344	F1	Y218 *	326TTDP7697	189	\$4,770	S7	Y452 *	145TTDR5706	169	\$801	S3
X501 *	56T11O5301	141	\$381	F1	Y219 *	505UTDS1584	189	\$19,574	S7	Y453 *	182TTDR7413	169	\$883	S3
X502 *	56T11O5302	141	\$399	F1	Y220 *	505UTDS1590	189	\$20,917	S7	Y454 *	184TTDR7286	169	\$919	S3
X503 *	56T11O5303	141	\$436	F1	Y250		109	\$41,535	S6	Y455 *	215TTDW7204	169	\$1,286	S3
X505		141	\$466	F1	Y251		109	\$45,145	S6	Y456 *	254TTDX7278	170	\$1,595	S3
X506	56T8O5301	141	\$504	F1	Y252		109	\$58,487	S6	Y457	256TTDX7263	170	\$1,978	S3
X507 *	56T8O5302	141, 165	\$524	F1	Y253		109	\$59,182	S6	Y458 *	256TTDX7264	170	\$1,978	S3
X509 *	56T11O5304	141	\$473	F1	Y254		109	\$62,269	S6	Y459 *	284TTDP7221	170	\$2,646	S3
X511 *	56T8O5303	141	\$433	F1	Y255		110	\$43,158	S6	Y460 *	286TTDP7217	170	\$3,296	S3
X512	056T11O15511	140	\$373	F1	Y256	449TVFS16535	110	\$36,119	S6	Y465 *	145TTDR5701	169	\$730	S3
X513 *	56T11O5305	140	\$405	F1	Y257		110	\$45,724	S6	Y466 *	145TTDR5702	169	\$801	S3
X522 *	56T11O5308	103, 141	\$397	F1	Y258		111	\$51,974	S6	Y467 *	182TTDR7411	169	\$883	S3
X523 *	56T11O5306	140, 165	\$440	F1	Y259		111	\$53,553	S6	Y468 *	184TTDR7230	169	\$919	S3
X524 *	56T11O5307	103, 141	\$434	F1	Y260		111	\$54,343	S6	Y469 *	215TTDW7205	169	\$1,286	S3

INDEX



**Catalog Number/Model Number**

CAT. NO.	MODEL NO.	PAGE NO.	LIST PRICE	MULT. SYMB.	CAT. NO.	MODEL NO.	PAGE NO.	LIST PRICE	MULT. SYMB.	CAT. NO.	MODEL NO.	PAGE NO.	LIST PRICE	MULT. SYMB.
Y470 *	254TTDX7201	170	\$1,595	S3	Y556 *	56H17T5312	108, 195	\$521	E3	Y822 *	405TTFS8857	179	\$7,408	E4
Y471 *	256TTDX7253	170	\$1,978	S3	Y557 *	145THTN6060	108, 195	\$898	E3	Y824 *	444TTFS8841	179	\$10,057	E4
Y472	284TTDP7205	170	\$2,646	S3	Y558 *	182THTL7736	108, 195	\$1,113	E3	Y826 *	445TTFS8870	179	\$11,026	E4
Y473 *	286TTDP7251	170	\$3,296	S3	Y559 *	184THTL7736	108, 195	\$1,329	E3	Y855 *	449TTFS8576	179	\$16,465	E4
Y484 *	182TTDR7412	169	\$606	S3	Y560 *	213THTL7736	108, 195	\$1,745	E3	Y857 *	449TTFS8581	179	\$21,974	E4
Y485	182TTDR7203	169	\$606	S3	Y561 *	215THTL7736	108, 195	\$2,087	E3	Y900		110	\$37,613	S6
Y486 *	184TTDR7287	169	\$848	S3	Y562 *	254THTL5736	108, 195	\$2,484	E3	Y901		110	\$39,999	S6
Y487 *	184TTDR7209	169	\$848	S3	Y563 *	256THTNA7036	108, 195	\$3,626	E3	Y902	449TVFS6542	110	\$43,482	S6
Y488 *	213TTDW7202	169	\$1,052	S3	Y564 *	184THTS8028	197	\$1,427	E3	Y903		110	\$39,381	S6
Y489 *	213TTDW7201	169	\$1,052	S3	Y565 *	213THTS8038	197	\$1,922	E3	Y904		110	\$47,344	S6
Y490	215TTDW17206	169	\$1,329	S3	Y566 *	215THTS8038	197	\$2,280	E3	Y905	449TSVFS6504	110	\$41,896	S6
Y491	215TTDW7201	169	\$1,329	S3	Y567 *	284THTNA7036	108, 195	\$3,944	E3	Y906		110	\$47,895	S6
Y492	256TTDX7207	169	\$1,745	S3	Y569 *	284THFPA8028	197	\$3,319	E3	Y907		110	\$52,961	S6
Y493	284TTDP7202	169	\$2,172	S3	Y570 *	286THFNA8028	197	\$3,794	E3	Y908	449TVFS6543	110	\$48,948	S6
Y500 *	56H17T2011	193	\$238	E3	Y571 *	324THFPA8028	197	\$4,913	E3	Y910		109	\$40,056	S6
Y501 *	56H17T2012	194	\$238	E3	Y572 *	326THFS8028	197	\$6,078	E3	Y911		109	\$43,849	S6
Y502 *	56H17T2013	193	\$256	E3	Y573 *	364THFS8036	197	\$7,834	E3	Y912	5013LSVFS16601	111	\$91,545	S6
Y503	56H17T2014	194	\$256	E3	Y574 *	365THFS8036	197	\$8,875	E3	Y913		111	\$49,857	S6
Y504 *	56H17T2015	193	\$301	E3	Y575 *	405THFS8036	198	\$12,009	E3	Y914		111	\$54,187	S6
Y505	56H17T2016	194	\$301	E3	Y576 *	444THFN8036	198	\$15,805	E3	Y915		111	\$57,199	S6
Y506 *	56H17F2011	193	\$372	E3	Y577 *	445THFN8036	198	\$18,248	E3	Y916		111	\$58,858	S6
Y507 *	56H17F2012	194	\$372	E3	Y578 *	445THFN8040	198	\$22,027	E3	Y917		111	\$67,835	S6
Y508	56H17F2013	193	\$419	E3	Y579	449THFS8036	198	\$27,437	E3	Y918		111	\$76,011	S6
Y509 *	254THTNA8058	197	\$2,729	E3	Y580	449THFS8037	198	\$31,240	E3	Y920		111	\$48,787	S6
Y510 *	256THTNA8038	197	\$3,777	E3	Y582 *	286THFPA8086	197	\$6,921	E3	Y921	5011LXVFS16577	111	\$54,337	S6
Y511 *	284THFPA8038	197	\$4,639	E3	Y583 *	324THFPA8086	197	\$8,141	E3	Y922	5011LSVFS6526	111	\$51,020	S6
Y512 *	286THFPA8038	197	\$5,114	E3	Y584 *	326THFPA8086	197	\$8,956	E3	Y923	5011LXVFS6583	111	\$57,628	S6
Y513 *	324THFPA8038	197	\$6,126	E3	Y585 *	364THFS8391	197	\$10,804	E3	Y924		111	\$51,735	S6
Y514 *	326THFPA8038	197	\$7,023	E3	Y586 *	365THFS8380	197	\$12,951	E3	Y925		111	\$59,957	S6
Y515 *	364THFS8046	197	\$8,598	E3	Y587 *	404THFS8092	197	\$14,367	E3	Y926		111	\$55,336	S6
Y516 *	365THFS8046	197	\$10,278	E3	Y588 *	405THFS8378	197	\$17,505	E3	Y927		111	\$65,785	S6
Y517 *	405THFS8046	198	\$14,347	E3	Y589 *	444THFN8384	198	\$20,092	E3	Y928		111	\$58,940	S6
Y518 *	444THFN8046	198	\$18,283	E3	Y590 *	145THTN8037	197	\$943	E3	Y929		111	\$71,424	S6
Y519 *	445THFN8046	198	\$20,725	E3	Y592 *	56H17T2001	195	\$349	E3	Y930	5011LSVFS16531	111	\$64,832	S6
Y520 *	445THFN8050	198	\$24,504	E3	Y595 *	213THFS8028	197	\$1,669	E3	Y931		111	\$76,224	S6
Y521 *	56H17F2014	194	\$419	E3	Y596 *	215THFS8029	197	\$1,994	E3	Y932		111	\$85,132	S6
Y522 *	145THTR5328	193	\$521	E3	Y597 *	254THFNA8038	197	\$2,402	E3	Y933		111	\$91,048	S6
Y523 *	145THFR5326	193	\$691	E3	Y598 *	256THFNA8038	197	\$2,658	E3	Y934		111	\$97,669	S6
Y525 *	143THTN8028	197	\$938	E3	Y600 *	56H17E5301	196	\$520	E3	Y935 *	5011LXVFS6579	111	\$63,276	S6
Y526 *	145THTN8029	197	\$1,016	E3	Y601	56H17E5302	196	\$610	E3	Y936	5011LXVFS6544	111	\$58,627	S6
Y527 *	182THTS8028	197	\$1,276	E3	Y602 *	56H17E5303	196	\$658	E3	Y937	5011LXVFS6545	111	\$62,229	S6
Y528 *	56T8O5306	140	\$539	F1	Y603	56H17E5304	196	\$728	E3	Y938	5011LSVFS6546	111	\$68,124	S6
Y530	182THFR5326	193	\$815	E3	Y604 *	56H17E5305	196	\$797	E3	Y939	5011LXVFS6547	111	\$88,423	S6
Y531 *	449THFS8046	198	\$30,693	E3	Y605 *	56H17T2021	193	\$220	E3	Y940		109	\$36,945	S6
Y532 *	449THFS8047	198	\$34,496	E3	Y606 *	56H17T2022	194	\$220	E3	Y941		109	\$39,863	S6
Y533 *	449THFS8048	198	\$37,753	E3	Y621	256TTDX8522	129	\$1,321	E2	Y942		109	\$37,392	S6
Y534 *	56H17T5301	195	\$437	E3	Y623	284TTDP8629	129	\$1,307	E2	Y943		109	\$40,361	S6
Y535 *	56H17T5302	195	\$521	E3	Y624	284TSTDP8621	129	\$1,500	E2	Y944		109	\$50,187	S6
Y536 *	143THTR5326	195	\$535	E3	Y625	284TSTDP8618	129	\$1,500	E2	Y945		109	\$58,875	S6
Y537 *	145THTR5376	195	\$620	E3	Y627	286TTDP8371	129	\$1,526	E2	Y946		109	\$48,500	S6
Y538 *	145THTR5326	195	\$650	E3	Y629	286TSTDP8608	129	\$2,042	E2	Y947		109	\$71,757	S6
Y540 *	184THTL7776	195	\$1,284	E3	Y631	324TTDP8630	129	\$1,903	E2	Y948		109	\$31,132	S6
Y541 *	182THTL7726	195	\$1,113	E3	Y633 *	324TSTDP8607	129	\$2,517	E2	Y949		109	\$35,921	S6
Y542 *	213THTL7776	195	\$1,582	E3	Y635	326TTDP8268	129	\$2,221	E2	Y950		109	\$30,012	S6
Y543 *	184THTL7726	195	\$1,329	E3	Y637 *	326TSTDP8219	129	\$3,016	E2	Y951	449TVDN6042	109	\$31,588	S6
Y544 *	215THTL7776	195	\$1,924	E3	Y639	364TSTDS8328	129	\$2,875	E2	Y952		109	\$34,474	S6
Y545 *	213THTL7726	195	\$1,745	E3	Y641	364TTDS8274	129	\$2,875	E2	Y953		109	\$35,721	S6
Y546 *	254THTL5776	195	\$2,588	E3	Y643	364TSTDS8503	129	\$4,021	E2	Y954		109	\$36,228	S6
Y547 *	215THTL7726	195	\$2,087	E3	Y645	365TSTDS8637	130	\$3,657	E2	Y955		109	\$34,482	S6
Y548 *	256THTL5776	195	\$2,930	E3	Y647 *	365TSTDS7904	130	\$5,528	E2	Y956		109	\$37,662	S6
Y549 *	254THTL5726	195	\$2,484	E3	Y649	404TSTDS8561	130	\$4,712	E2	Y957		109	\$39,110	S6
Y551 *	145THTN6046	195	\$898	E3	Y651 *	404TSTDS7623	130	\$6,800	E2	Y958		109	\$32,753	S6
Y552 *	256THTNA7026	195	\$3,626	E3	Y658 *	445TSTDS7303	130	\$13,858	E2	Y978 *	143THEN8034	198	\$5,435	E3
Y553 *	284THTNA7026	195	\$3,944	E3	Y659 *	445TSTDS7936	130	\$11,991	E2	Y979 *	145THEN8034	198	\$5,549	E3
Y555 *	56H17T5311	108, 195	\$437	E3	Y663	326TSTDP8929	129	\$2,657	E2	Y980 *	182THES8048	198	\$5,728	E3

# Index

## Catalog Number/Model Number

MODEL NO.	CAT. NO.	PAGE NO.	LIST PRICE	MULT. SYMB.	MODEL NO.	CAT. NO.	PAGE NO.	LIST PRICE	MULT. SYMB.	MODEL NO.	CAT. NO.	PAGE NO.	LIST PRICE	MULT. SYMB.
Y981 *	213THES8053	198	\$6,026	E3	Z427 *	184TCDR7909	120	\$824	S2					
Y982 *	254THEN8058	198	\$6,853	E3	Z428	213TCDW7028	120	\$904	S2					
Y983 *	254THEN8059	198	\$7,180	E3	Z429 *	213TCDW7003	120	\$1,029	S2					
Y984 *	256THEN17031	198	\$7,506	E3	Z430	215TBDW7045	120	\$1,249	S2					
Y985	284THEN8032	198	\$8,285	E3	Z431 *	215TCDW7004	120	\$1,324	S2					
Y986 *	143THTN8036	199	\$1,696	E3	Z432	215TBDW7030	120	\$1,514	S2					
Y987 *	145THTN8043	199	\$1,889	E3	Z433 *	184TBFR7315	113	\$853	S2					
Y988 *	182THTS8048	199	\$2,473	E3	Z434 *	213TBFW7010	113	\$1,145	S2					
Y989 *	184THTS8056	199	\$2,981	E3	Z435 *	215TBFW7010	113	\$1,395	S2					
Y990 *	213THTS8071	199	\$3,736	E3	Z502 *	184TBDR5326	181	\$520	S1					
Y991 *	215THTS8071	199	\$4,440	E3	Z504	184TBDR5301	181	\$730	S1					
Y992 *	254THTNA8071	199	\$5,642	E3	Z506 *	184TBDR7656	181	\$625	S1					
Y993 *	256THTNA8071	199	\$7,478	E3	Z602 *	56E17F1001	200	\$463	D1					
Y994 *	213THFW7726	193	\$1,237	E3	Z603 *	56E17F1002	200	\$463	D1					
Y995	213THFW7736	107, 193	\$1,237	E3	Z604 *	56E17F1003	200	\$491	D1					
Y996 *	215THFW7726	193	\$1,582	E3	Z605 *	56E17F1004	200	\$491	D1					
Y997	215THFW7736	107, 193	\$1,582	E3	Z606 *	56E17F1005	200	\$547	D1					
Y998	182THFR7726	193	\$850	E3	Z607 *	56E17F1006	200	\$547	D1					
Y999 *	182THFR7729	193	\$850	E3	Z610 *	56E17F1007	200	\$664	D1					
Z112 *	182TCFR9061	185	\$634	S1	Z611 *	56E17F1008	200	\$664	D1					
Z113 *	184TCFR9057	185	\$789	S1	Z612 *	56E17F2005	200	\$811	D1					
Z114 *	184TBFR7070	185	\$962	S1	Z613 *	56E17F2006	200	\$811	D1					
Z115 *	215TBFW7028	185	\$1,428	S1	Z614 *	56E17F2007	200	\$1,014	D1					
Z116 *	215TBFW7044	185	\$1,778	S1	Z615 *	145TEFR5326	200	\$1,540	D1					
Z117 *	213TBFW7027	185	\$1,070	S1	Z616 *	145TEFR5327	200	\$1,837	D1					
Z118 *	145TBFR5328	184	\$495	S1	Z617 *	182TEFR5326	200	\$1,837	D1					
Z119 *	182TCFR7072	184	\$599	S1	Z630 *	56E17V2001	201	\$594	D1					
Z120 *	184TCFR7061	184	\$746	S1	Z631 *	56E17V2002	201	\$629	D1					
Z121 *	184TBFR7737	184	\$908	S1	Z634 *	56E17V2003	201	\$704	D1					
Z122 *	215TBFW7029	184	\$1,347	S1	Z635 *	56E17V2004	201	\$704	D1					
Z123 *	143TCFR5328	184	\$420	S1	Z636 *	56E17V2005	201	\$854	D1					
Z124	184TBDR7369	136	\$1,291	S1	Z637 *	56E17V2006	201	\$854	D1					
Z125	215TBDR7361	136	\$1,709	S1	Z638 *	56E17W2001	201	\$1,042	D1					
Z126	215TBDW7362	136	\$1,804	S1	Z639 *	56E17W2002	201	\$1,042	D1					
Z127	256TBDX7028	136	\$2,236	S1	Z641 *	56E17W2003	201	\$1,330	D1					
Z128 *	145TBFR5341	184	\$550	S1	Z660 *	56E17T2001	202	\$498	D1					
Z304 *	145TBDR5309	183	\$568	S1	Z662 *	56E17T2002	202	\$548	D1					
Z305 *	184TCDR7615	183	\$832	S1	Z663 *	56E17T2003	202	\$524	D1					
Z306 *	184TCDR7617	183	\$939	S1	Z664 *	56E17T2004	202	\$569	D1					
Z307 *	184TBDR7009	183	\$1,047	S1	Z665 *	56E17T2005	202	\$544	D1					
Z308 *	215TCDW7003	183	\$1,409	S1	Z666 *	56E17F2008	202	\$629	D1					
Z309	182TCDR7013	183	\$683	S1	Z667 *	56E17F2009	202	\$568	D1					
Z313	184TBDR7324	183	\$1,047	S1	Z668 *	56E17F2010	202	\$749	D1					
Z314	215TCDW7012	183	\$1,224	S1	Z669 *	56E17F2011	202	\$690	D1					
Z315	215TBDW7013	183	\$1,409	S1										
Z401	143TCDR5328	113	\$367	S2										
Z402		113	\$367	S2										
Z403	145TCDR5328	113	\$442	S2										
Z404	145TBDR5304	113	\$445	S2										
Z405 *	182TCDR7074	113	\$507	S2										
Z406 *	182TCDR7318	113	\$563	S2										
Z407 *	184TCDR7047	113	\$658	S2										
Z408 *	184TCDR7011	113	\$824	S2										
Z409 *	213TCDW7027	113	\$904	S2										
Z410 *	213TCDW7002	113	\$1,029	S2										
Z411 *	215TBDW7029	113	\$1,249	S2										
Z412 *	215TCDW7002	113	\$1,324	S2										
Z413 *	215TBDW7027	113	\$1,514	S2										
Z420	143TCDR5330	120	\$367	S2										
Z421		120	\$367	S2										
Z422	145TCDR5329	120	\$442	S2										
Z423		120	\$445	S2										
Z424	182TCDR7354	120	\$507	S2										
Z425	182TCDR8005	120	\$563	S2										
Z426	184TCDR7626	120	\$658	S2										

## Model Number/Catalog Number

MODEL NO.	CAT. NO.	PAGE NO.	LIST PRICE	MULT. SYMB.	MODEL NO.	CAT. NO.	PAGE NO.	LIST PRICE	MULT. SYMB.	MODEL NO.	CAT. NO.	PAGE NO.	LIST PRICE	MULT. SYMB.
48A11D245	X262 *	165	\$169	F1	48A11O2034	X083 *	136	\$162	F1	48A11T619	X462 *	138	\$253	F1
48A11O1060	X200	161	\$137	F1	48A11O2035	X089 *	137	\$150	F1	48A11T646	X072 *	151	\$178	F1
48A11O1062	X203 *	154	\$201	F1	48A11O2046	X010 *	142	\$185	F1	48A11TB529	X413 *	138	\$145	F1
48A11O1063	X202	157	\$129	F1	48A11O2047	X219 *	142	\$123	F1	48A11TB569	X412 *	138	\$136	F1
48A11O1065	X212	161	\$135	F1	48A11O2050	X223 *	154	\$136	F1	48A11TB571	X414 *	138	\$161	F1
48A11O1068	X210 *	154	\$136	F1	48A11O2051	X417 *	142	\$136	F1	48A17O125	X211 *	142, 156	\$231	F1
48A11O1081	X215 *	161	\$135	F1	48A11O2052	X418 *	142	\$144	F1	48A17O126	X204	153	\$162	F1
48A11O1097	X216 *	137, 160	\$124	F1	48A11O2053	X419 *	142	\$161	F1	48A17O129	X217 *	158	\$157	F1
48A11O11040	X264 *	165	\$164	F1	48A11O2054	X424 *	137	\$160	F1	48A17O136	X230 *	159, 165	\$168	F1
48A11O11041	X263 *	165	\$161	F1	48A11O2055	X423 *	136	\$141	F1	48A17O147	X269 *	159, 165	\$187	F1
48A11O11042	X074 *	152	\$161	F1	48A11O2059	X298 *	137	\$172	F1	48A17O149	X270 *	161, 165	\$201	F1
48A11O11063	X075 *	152	\$172	F1	48A11O2062	X441 *	137	\$136	F1	48A17O151	X015 *	142	\$143	F1
48A11O11064	X073 *	152	\$139	F1	48A11O2063	X443 *	137	\$161	F1	48A17O152	X013 *	142	\$135	F1
48A11O11066	X077 *	152	\$135	F1	48A11O2064	X442 *	137	\$145	F1	48A17O153	X016 *	142	\$160	F1
48A11O1109	X222 *	154	\$169	F1	48A11O2065	X440 *	137	\$111	F1	48A17O154	X014 *	142	\$137	F1
48A11O1167	X258 *	144	\$137	F1	48A11O2065	X440 *	137	\$111	F1	48A17O155	X017 *	142	\$162	F1
48A11O1176	X225 *	158	\$190	F1	48A11O251	X260 *	158	\$172	F1	48A17O161	X273	154	\$127	F1
48A11O1179	X231 *	153	\$160	F1	48A11O653	X042 *	144	\$139	F1	48A17O169	X420 *	136	\$183	F1
48A11O1239	X268 *	162, 165	\$206	F1	48A11O654	X043 *	144	\$139	F1	48A17O172	X422 *	137	\$232	F1
48A11O1350	X018 *	142	\$139	F1	48A11O655	X044 *	144	\$148	F1	48A17O174	X022 *	142	\$178	F1
48A11O1351	X019 *	142	\$148	F1	48A11O656	X045 *	144	\$156	F1	48A17O2001	X058 *	144	\$180	F1
48A11O1352	X020 *	142	\$165	F1	48A11O663	X084 *	137	\$166	F1	48A17O2002	X059 *	144	\$137	F1
48A11O1353	X021 *	142	\$190	F1	48A11O678	X085 *	137	\$206	F1	48A17O2003	X060 *	144	\$147	F1
48A11O1375	X426 *	137, 165	\$251	F1	48A11O694	X237	142, 155	\$164	F1	48A17O2004	X069	144	\$165	F1
48A11O1410	X295 *	162	\$183	F1	48A11O697	X241 *	142, 155	\$207	F1	48A17O2005	X011 *	136, 142	\$147	F1
48A11O1461	X431 *	140	\$245	F1	48A11O699	X236 *	142, 155, 160	\$161	F1	48A17O2006	X012 *	136, 142	\$137	F1
48A11O1524	X213 *	136	\$120	F1	48A11O756	X242 *	142, 155	\$351	F1	48A17O2050	X454 *	137	\$232	F1
48A11O1525	X214 *	137	\$129	F1	48A11O772	X048	144	\$124	F1	48A17O209	X040 *	144	\$152	F1
48A11O1526	X221 *	137	\$147	F1	48A11O773	X049 *	144	\$124	F1	48A17O170	X041 *	144	\$160	F1
48A11O1583	X023 *	142	\$211	F1	48A11O774	X050 *	144	\$133	F1	48A17T108	X030 *	181	\$203	F1
48A11O1596	X444 *	137	\$214	F1	48A11O775	X052 *	144	\$141	F1	48A17T119	X032 *	181	\$247	F1
48A11O1642	X447 *	139	\$280	F1	48A11O787	X009 *	142	\$182	F1	48A17T2001	X305 *	166	\$153	F1
48A11O1643	X446 *	139	\$209	F1	48A11O840	X096 *	137	\$178	F1	48A17T2002	X024 *	181	\$166	F1
48A11O1674	X033 *	142, 160	\$135	F1	48A11O900	X057	144	\$136	F1	48A17T2003	X025 *	181	\$184	F1
48A11O1732	X445	139	\$190	F1	48A11O901	X056 *	144	\$136	F1	48A17T2004	X026 *	181	\$200	F1
48A11O1744	X405 *	154	\$220	F1	48A11OB1755	X004	142	\$156	F1	48A17T2005	X920 *	162	\$189	F1
48A11O1756	X005 *	142	\$158	F1	48A11OB1769	X002 *	142	\$139	F1	48A17T2006	X921 *	162	\$206	F1
48A11O1770	X455 *	137	\$207	F1	48A11OB1798	X000 *	142	\$129	F1	48A17T2007	X922 *	162	\$227	F1
48A11O1771	X453 *	137	\$180	F1	48A11OB2042	X003 *	142	\$141	F1	48A17T237	X031 *	181	\$224	F1
48A11O1772	X036 *	143	\$177	F1	48A11T1006	X076 *	151	\$191	F1	48A17T356	X463	138	\$153	F1
48A11O1773	X034 *	143	\$149	F1	48A11T198	X303 *	166	\$149	F1	48A17T359	X464 *	138	\$185	F1
48A11O1774	X035 *	143	\$160	F1	48A11T199	X302 *	166	\$141	F1	48A17T72	X301 *	166	\$136	F1
48A11O1799	X001 *	142	\$133	F1	48A11T2005	X306 *	166	\$158	F1	48A34SU1000	O700 *	163	\$117	F1
48A11O1874	X038 *	143	\$284	F1	48A11T2006	X307 *	166	\$166	F1	48A34SU1001	O701 *	163	\$111	F1
48A11O1875	X039 *	143	\$289	F1	48A11T2007	X308 *	166	\$183	F1	48A8O151	X261 *	158	\$181	F1
48A11O1876	X037 *	143	\$278	F1	48A11T2008	X411 *	138, 160	\$124	F1	48A8O181	X098 *	137	\$247	F1
48A11O2001	X006 *	142	\$127	F1	48A11T2008	X411 *	138, 160	\$124	F1	48A8O182	X097 *	136	\$183	F1
48A11O2007	X090 *	137	\$194	F1	48A11T2012	X304 *	166	\$166	F1	48A8O183	X209 *	142, 160	\$177	F1
48A11O2009	X062 *	144	\$176	F1	48A11T2012	X415 *	138	\$173	F1	48A8O2001	X086 *	137	\$206	F1
48A11O2011	X064 *	144	\$123	F1	48A11T2013	X416 *	138	\$190	F1	48A8O206	X278 *	137, 160	\$168	F1
48A11O2012	X065 *	144	\$123	F1	48A11T2017	X427 *	138	\$141	F1	48A8T11002	X465 *	138	\$149	F1
48A11O2013	X066 *	144	\$133	F1	48A11T2018	X428 *	138	\$157	F1	48A8T71	X450 *	138	\$153	F1
48A11O2014	X067 *	144	\$161	F1	48A11T2020	X429 *	138	\$149	F1	48A8T72	X451 *	138	\$161	F1
48A11O2015	X068 *	144	\$183	F1	48A11T2021	X027 *	181	\$180	F1	48A8T73	X452 *	138	\$198	F1
48A11O2016	X099 *	137	\$207	F1	48A11T2022	X028 *	181	\$195	F1	48C17D2018	G115 *	22, 147	\$171	F1
48A11O2017	X400 *	137	\$180	F1	48A11T2023	X029 *	181	\$209	F1	48C17D2023	S010 *	21	\$158	F1
48A11O2022	X061 *	144	\$148	F1	48A11T2024	X923 *	162	\$220	F1	48C17D2024	S011 *	21	\$166	F1
48A11O2024	X070 *	144	\$156	F1	48A11T2025	X924 *	162	\$238	F1	48C17D2027	S030 *	21	\$189	F1
48A11O2026	X071 *	144	\$176	F1	48A11T2026	X925 *	162	\$265	F1	48C17D2028	S110 *	23	\$162	F1
48A11O2028	X063 *	144	\$197	F1	48A11T342	X233 *	157	\$180	F1	48C17D2029	S111 *	23	\$171	F1
48A11O2029	X087 *	136	\$124	F1	48A11T407	X274 *	157	\$168	F1	48C17D2033	G076 *	20	\$175	F1
48A11O2030	X080 *	136	\$136	F1	48A11T463	X430 *	138	\$162	F1	48C17D2034	G078 *	20	\$189	F1
48A11O2031	X081 *	136	\$153	F1	48A11T509	X297 *	137, 160	\$131	F1	48C17D2036	G114 *	22, 147	\$162	F1
48A11O2032	X088 *	137	\$133	F1	48A11T578	X456 *	138	\$162	F1	48C17D2041	B312	147	\$180	F1
48A11O2033	X082 *	136	\$148	F1	48A11T579	X457 *	138	\$172	F1	48C17D2042	B313 *	147	\$189	F1
					48A11T580	X458 *	138	\$190	F1					
					48A11T581	X459 *	138	\$214	F1					

# Index

## Model Number/Catalog Number

MODEL NO.	CAT. NO.	PAGE NO.	LIST PRICE	MULT. SYMB.	MODEL NO.	CAT. NO.	PAGE NO.	LIST PRICE	MULT. SYMB.	MODEL NO.	CAT. NO.	PAGE NO.	LIST PRICE	MULT. SYMB.
48C17D2043	B314	147	\$213	F1	48S17T286	O600 *	163	\$104	F1	56B17F5306	G575 *	27	\$546	F2
48C17D2044	B315 *	147	\$220	F1	48S17T290	O601 *	163	\$112	F1	56B17F5307	F105 *	184	\$486	F1
48C17D2045	S118 *	22	\$153	F1	48S17T365	X911 *	182	\$236	F1	56B17F5310	G396 *	191	\$471	F1
48C17D2046	S119 *	22	\$162	F1	48S17T366	X910 *	182	\$188	F1	56B17F5319	K319 *	184, 191	\$559	F1
48C17D2055	D119 *	147	\$203	F1	48S34S2003	O004 *	163	\$153	F1	56B17F5324	X902 *	185	\$425	F1
48C17D2057	X600	186	\$222	F1	48S34S2004	O005 *	163	\$119	F1	56B17F5328	T018 *	192	\$513	F1
48C17F2000	F201 *	185	\$286	F1	48S34S2005	O102 *	163	\$136	F1	56B17F5329	T030 *	192	\$566	F1
48C17F2001	F202 *	185	\$314	F1	48S34S361	O100 *	163	\$128	F1	56B17F5330	D404 *	112	\$956	E5
48C34D2022	D110 *	22, 147	\$164	F1	48T17D2000	G044 *	28	\$182	F1	56B17F5331	F205 *	185	\$501	F1
48C34D2023	G098 *	20	\$168	F1	48T17D2002	X605 *	186	\$249	F1	56B17F5584	F135 *	184	\$545	F1
48C34D2024	O010 *	163	\$173	F1	48T17F2000	K420	37	\$207	F1	56B17T20	X913 *	181	\$284	F1
48C34D2025	G091	20	\$151	F1	56A11O29	X432 *	139	\$311	F1	56B17T5302	X908	182	\$401	F1
48C34D2028	O011 *	163	\$213	F1	56A11O30	X433 *	139	\$370	F1	56B17T5303	X912 *	181	\$371	F1
48C34S20	O014	163	\$173	F1	56A11O5305	X271 *	138	\$422	F1	56B17T5304	N553 *	73	\$521	F3
48C34S2001	O013	163	\$165	F1	56A11O5310	X206 *	138	\$370	F1	56B34D133	D018 *	20, 180	\$345	F1
48C34S24	O012 *	163	\$158	F1	56A11O5311	X207 *	138	\$351	F1	56B34D2018	K212	190	\$380	F1
48N17D14	B703 *	146	\$190	F1	56A11O5312	X205 *	157	\$339	F1	56B34D2021	G987	190	\$363	F1
48S11D53	B380 *	145	\$206	F1	56A11O5313	X218 *	161	\$358	F1	56B34D2023	G258 *	23	\$341	F1
48S11D58	X290 *	156	\$144	F1	56A11O5314	X448 *	139	\$302	F1	56B34D2024	J037 *	126	\$300	F1
48S17D1084	X701 *	161, 166	\$117	F1	56A11O5315	X449 *	139	\$347	F1	56B34D2025	J019 *	126, 164	\$283	F1
48S17D2017	D107 *	146	\$112	F1	56A34DB11001	J071 *	125	\$211	F1	56B34D2026	G937 *	20	\$330	F1
48S17D2027	D145 *	146	\$149	F1	56A34DB11002	J076 *	125	\$331	F1	56B34D2027	D115 *	22, 148	\$346	F1
48S17D2042	S102 *	22	\$111	F1	56A34DB11003	J074 *	125	\$278	F1	56B34D2028	O231 *	164	\$290	F1
48S17D2052	B300 *	146	\$123	F1	56A34DB11004	J072 *	125	\$251	F1	56B34D2029	D010 *	180, 190	\$267	F1
48S17D2053	B322 *	146	\$129	F1	56A34DB11005	J084 *	125	\$396	F1	56B34D2030	G932 *	20	\$247	F1
48S17D2054	B302 *	146	\$132	F1	56A34DB11006	J083 *	125	\$331	F1	56B34D2031	G254 *	23	\$263	F1
48S17D2055	B303 *	146	\$139	F1	56A34DB11007	J082 *	125	\$278	F1	56B34D2033	J058 *	126	\$304	F1
48S17D2056	B304 *	146	\$152	F1	56A34DB11008	J081 *	125	\$251	F1	56B34D5302	D017 *	21, 181	\$599	F1
48S17D2057	B305 *	146	\$158	F1	56A34DB11009	J080	125	\$211	F1	56B34D5304	G976	190	\$449	F1
48S17D2058	B306 *	146	\$203	F1	56A34DB11010	J079 *	125	\$396	F1	56B34D5307	G294	190	\$464	F1
48S17D2059	B307 *	146	\$210	F1	56A34DB11011	J070 *	125	\$211	F1	56B34D5318	D012 *	20, 180	\$432	F1
48S17D2083	D127 *	146	\$121	F1	56A34DB11012	J075 *	125	\$278	F1	56B34D5319	G272 *	23	\$418	F1
48S17D2084	D129 *	146	\$129	F1	56A34DB11013	J073 *	125	\$251	F1	56B34D5320	K152 *	22, 148	\$421	F1
48S17D2086	D143 *	146	\$141	F1	56A34DB11014	J077 *	125	\$331	F1	56B34D5321	G952 *	20	\$397	F1
48S17D2087	D162 *	146	\$193	F1	56A34DB11015	J078 *	125	\$396	F1	56B34D5325	J021 *	126, 164	\$351	F1
48S17D2088	D163 *	146	\$202	F1	56A8O5	X208 *	137	\$379	F1	56B34D5326	J038 *	126	\$368	F1
48S17D2089	S003 *	21	\$105	F1	56B11F5300	G350 *	24	\$443	F1	56B34D5327	J023 *	126, 164	\$557	F1
48S17D2090	S006 *	21	\$117	F1	56B11F5301	G357 *	24	\$529	F1	56B34D5328	J039 *	126	\$587	F1
48S17D2091	S103	22	\$117	F1	56B11F5302	G579 *	27	\$566	F2	56B34D5332	D013 *	181	\$563	F1
48S17D2093	S106 *	23	\$121	F1	56B11F5303	G578 *	27	\$453	F2	56B34D5334	G996	190	\$576	F1
48S17D2102	X700 *	161, 166	\$108	F1	56B11G5301	G655 *	78	\$691	F1	56B34D5336	K219	190	\$591	F1
48S17D2104	S126 *	22	\$117	F1	56B17D2008	G917 *	20	\$297	F1	56B34D5337	O232 *	164	\$359	F1
48S17D2105	S127 *	23	\$128	F1	56B17D2009	G918 *	20	\$317	F1	56B34D5340	D116 *	148	\$422	F1
48S17D2106	S128 *	23	\$155	F1	56B17D2010	G919 *	20	\$324	F1	56B34D5341	J059 *	126	\$374	F1
48S17D2107	B206 *	146	\$121	F1	56B17D2011	G250 *	23	\$320	F1	56B34F5303	K332	191	\$397	F1
48S17D2108	B207 *	146	\$141	F1	56B17D2012	G156 *	22, 147	\$303	F1	56B34F5306	K612 *	191	\$412	F1
48S17D2109	B208 *	146	\$193	F1	56B17D2013	B609 *	147	\$335	F1	56B34F5312	K615 *	191	\$489	F1
48S17D2113	S026	21	\$122	F1	56B17D2015	K237 *	24	\$333	F1	56B34F5318	K618 *	191	\$617	F1
48S17D2116	B606 *	146	\$162	F1	56B17D5303	G274 *	23	\$487	F1	56B34F5319	G533 *	26	\$445	F1
48S17D2117	B607	146	\$182	F1	56B17D5319	G979	190	\$566	F1	56B34F5320	G374 *	25	\$357	F1
48S17D7200	B383 *	146	\$182	F1	56B17D5322	K232 *	190	\$554	F1	56B34F5321	G391 *	25	\$384	F1
48S17D7201	B384 *	146	\$189	F1	56B17D5323	G958 *	190	\$429	F1	56B34F5322	K350	25	\$418	F1
48S17D7204	D180	146	\$172	F1	56B17D5328	G290	190	\$445	F1	56B34F5323	G392 *	25	\$434	F1
48S17D7205	D181	146	\$214	F1	56B17D5331	B352 *	22, 148	\$512	F1	56B34F5324	K631	26	\$371	F1
48S17D7206	B604 *	146	\$158	F1	56B17D56	K016 *	180, 190	\$324	F1	56B34F5326	D314 *	27	\$378	F2
48S17D7207	B605	146	\$165	F1	56B17D5700	B331 *	147	\$433	F1	56B34F5327	D315 *	27	\$455	F2
48S17D7209	B402 *	135	\$194	F1	56B17D5701	B332	147	\$440	F1	56B34F5328	D316 *	27	\$608	F2
48S17D997	B400 *	135	\$128	F1	56B17D5702	B334 *	147	\$541	F1	56B34F5329	G530 *	26	\$367	F1
48S17S24	O003 *	163	\$156	F1	56B17D5703	B335	147	\$548	F1	56B34F5332	T017 *	192	\$421	F1
48S17S25	O002 *	163	\$135	F1	56B17D5706	B350 *	147	\$442	F1	56B34F5333	T019 *	192	\$459	F1
48S17T2000	X904 *	182	\$166	F1	56B17F5300	G376 *	25	\$408	F1	56C11D2032	G096 *	20	\$316	F1
48S17T2001	X903 *	182	\$147	F1	56B17F5301	G377 *	25	\$422	F1	56C11D5301	G913 *	20	\$405	F1
48S17T2002	B501	148	\$165	F1	56B17F5302	G378 *	25, 191	\$429	F1	56C11D5302	G930 *	20	\$518	F1
48S17T2003	B502	148	\$158	F1	56B17F5303	G531 *	26	\$425	F1	56C11D5304	G278 *	23, 145	\$417	F1
48S17T2004	X909 *	182	\$145	F1	56B17F5305	G574 *	27	\$436	F2	56C11F5300	G316 *	24	\$311	F1



## Model Number/Catalog Number

MODEL NO.	CAT. NO.	PAGE NO.	LIST PRICE	MULT. SYMB.	MODEL NO.	CAT. NO.	PAGE NO.	LIST PRICE	MULT. SYMB.	MODEL NO.	CAT. NO.	PAGE NO.	LIST PRICE	MULT. SYMB.
56C11F5301	G333 *	24	\$350	F1	56C17F2041	G337 *	24	\$258	F1	56C17W5330	N529	73	\$730	F3
56C11F5302	G577 *	27	\$333	F2	56C17F2042	G513 *	26	\$249	F1	56C17W5331	N557 *	73	\$427	F3
56C11F5303	G576 *	27	\$371	F2	56C17F2043	G515 *	26	\$287	F1	56C17W5332	N559 *	73	\$441	F3
56C11G5303	K033 *	78, 149	\$481	F1	56C17F2044	G550 *	26	\$253	F1	56C17W5333	N541 *	73	\$500	F3
56C11G5306	G650 *	78	\$558	F1	56C17F2045	G551 *	26	\$291	F1	56C17W5334	N543 *	73	\$575	F3
56C11G5307	G652 *	78	\$600	F1	56C17F2048	G331 *	24	\$239	F1	56C17W5335	N545 *	73	\$734	F3
56C17D2009	G094 *	20	\$220	F1	56C17F2049	G332 *	24	\$253	F1	56C17W5336	N680 *	74	\$427	F3
56C17D2010	G095 *	20	\$226	F1	56C17F2050	G338 *	24	\$274	F1	56C17W5337	N681 *	74	\$501	F3
56C17D2011	G910 *	20	\$237	F1	56C17F2051	G339 *	24	\$291	F1	56C17W5338	N682 *	73	\$573	F3
56C17D2012	G911 *	20	\$259	F1	56C17F2052	G314 *	24	\$220	F1	56C34D1172	J036 *	126	\$213	F1
56C17D2013	G912 *	20, 180	\$266	F1	56C17F2054	G312 *	24	\$205	F1	56C34D1173	J017 *	126, 164	\$207	F1
56C17D2025	G151 *	22, 147	\$246	F1	56C17F5306	G354 *	24	\$318	F1	56C34D2094	D015	180, 190	\$233	F1
56C17D2044	G234 *	23	\$261	F1	56C17F5307	G355 *	24	\$336	F1	56C34D2095	D117 *	22, 147	\$213	F1
56C17D2051	S013 *	21	\$203	F1	56C17F5308	G356 *	24, 191	\$357	F1	56C34D2096	J034 *	126	\$164	F1
56C17D2054	S014 *	21	\$233	F1	56C17F5309	G371 *	25	\$358	F1	56C34D2097	J009 *	126, 164	\$157	F1
56C17D2055	S015 *	21	\$242	F1	56C17F5310	G372 *	25	\$367	F1	56C34D2098	O212 *	164	\$157	F1
56C17D2060	S114 *	23	\$237	F1	56C17F5311	G373 *	25, 191	\$374	F1	56C34D2099	O213 *	164	\$164	F1
56C17D2061	S115 *	23	\$246	F1	56C17F5314	G517 *	26	\$345	F1	56C34D2100	G915 *	20	\$218	F1
56C17D2064	S033 *	21	\$226	F1	56C17F5315	G519 *	26	\$368	F1	56C34D2101	G238 *	23	\$229	F1
56C17D2067	S036 *	21	\$266	F1	56C17F5318	G552 *	26	\$350	F1	56C34D2102	J035 *	126	\$192	F1
56C17D2071	B316 *	22, 147	\$242	F1	56C17F5319	G553 *	26	\$374	F1	56C34D2103	J013 *	126, 164	\$184	F1
56C17D2072	B317 *	22, 147	\$263	F1	56C17F5320	G570 *	27	\$259	F2	56C34D2104	O214 *	164	\$185	F1
56C17D2073	B318 *	22, 147	\$300	F1	56C17F5321	G571 *	27	\$297	F2	56C34D2105	O217 *	164	\$214	F1
56C17D2074	B319 *	22, 147	\$321	F1	56C17F5322	G572 *	27	\$357	F2	56C34D2106	D118 *	22, 147	\$249	F1
56C17D2079	D111 *	22, 147	\$246	F1	56C17F5323	G573 *	27	\$380	F2	56C34D2107	D014	180	\$201	F1
56C17D2080	D113 *	22, 147	\$304	F1	56C17F5324	F101 *	184	\$266	F1	56C34D2108	G232 *	23	\$179	F1
56C17D2084	G212 *	23	\$189	F1	56C17F5325	F102 *	184	\$304	F1	56C34D2109	O211 *	164	\$150	F1
56C17D2085	G230 *	23	\$222	F1	56C17F5326	F103 *	184	\$363	F1	56C34D2110	J033 *	126	\$151	F1
56C17D2087	G093 *	20	\$212	F1	56C17F5327	F104 *	184	\$395	F1	56C34D2111	J025 *	126, 164	\$143	F1
56C17D2088	G135 *	22, 147	\$207	F1	56C17F5349	T016 *	192	\$422	F1	56C34D2112	O215 *	164	\$191	F1
56C17D2097	S112 *	23	\$199	F1	56C17F5350	T014 *	192	\$399	F1	56C34D2114	O210 *	164	\$144	F1
56C17D2098	S012 *	21	\$195	F1	56C17F5351	T010 *	192	\$341	F1	56C34D2117	G216 *	23	\$162	F1
56C17D2099	S113 *	23	\$207	F1	56C17F5352	D400 *	112	\$596	E5	56C34D2118	J054 *	126	\$155	F1
56C17D2100	B210 *	22, 147	\$225	F1	56C17F5353	D401 *	112	\$658	E5	56C34D2119	J055 *	126	\$168	F1
56C17D2101	X601 *	186	\$263	F1	56C17F5354	D402 *	112	\$852	E5	56C34D2120	J056 *	126	\$196	F1
56C17D2102	X602 *	186	\$324	F1	56C17F5355	D403 *	112	\$906	E5	56C34D2121	J057 *	126	\$218	F1
56C17D2113	B608 *	147	\$275	F1	56C17F5356	F203 *	185	\$371	F1	56C34D5314	K136 *	22, 147	\$266	F1
56C17D2114	K234	24	\$203	F1	56C17F5357	F204 *	185	\$416	F1	56C34F5301	D311 *	27	\$220	F2
56C17D2115	K235 *	24	\$236	F1	56C17F5358	F131 *	184	\$325	F1	56C34F5302	D312 *	27	\$266	F2
56C17D2116	K236 *	24	\$274	F1	56C17F5912	F132 *	184	\$363	F1	56C34F5303	D313 *	27	\$300	F2
56C17D5303	G934 *	20	\$316	F1	56C17F5913	F133 *	184	\$422	F1	56C34F5307	G393 *	24	\$213	F1
56C17D5304	G935 *	20	\$341	F1	56C17F5914	F134 *	184	\$454	F1	56C34F5308	G352 *	24	\$243	F1
56C17D5305	G936 *	20, 180, 190	\$353	F1	56C17F5955	G381 *	191	\$395	F1	56C34F5309	G379 *	24, 191	\$259	F1
56C17D5306	G939 *	20	\$382	F1	56C17F5956	G382 *	191	\$413	F1	56C34F5310	G359 *	25	\$279	F1
56C17D5307	G950 *	20	\$397	F1	56C17F5957	G380 *	191	\$330	F1	56C34F5311	G390 *	25, 191	\$293	F1
56C17D5308	G951 *	20, 180	\$414	F1	56C17G5308	K037	78, 149	\$457	F1	56C34F5322	G514 *	26	\$209	F1
56C17D5310	G256 *	23	\$343	F1	56C17G5315	G651 *	78	\$476	F1	56C34F5323	G516 *	26	\$255	F1
56C17D5311	G270 *	23	\$399	F1	56C17G5316	G654 *	78	\$520	F1	56C34F5324	G518 *	26	\$289	F1
56C17D5316	B330 *	22, 148	\$401	F1	56C17G5317	G657 *	78	\$584	F1	56C34F5327	K339	24	\$199	F1
56C17D5319	S037 *	21	\$313	F1	56C17G5318	G659 *	78	\$610	F1	56C34F5329	G559 *	26	\$213	F1
56C17D5320	S039 *	21	\$345	F1	56C17G5320	G853 *	79	\$488	F1	56C34F5339	T015 *	192	\$343	F1
56C17D5321	B310 *	22, 147	\$322	F1	56C17G5321	G855 *	79	\$531	F1	56C34F5340	T013 *	192	\$309	F1
56C17D5322	B311 *	147	\$348	F1	56C17G5322	G857 *	79	\$595	F1	56C34G5308	G653	78	\$428	F1
56C17D5339	S116 *	23	\$317	F1	56C17G5323	G870 *	79	\$621	F1	56C34G5309	G656	78	\$483	F1
56C17D5340	S117 *	23	\$326	F1	56C17G5324	G871	79	\$469	F1	56C34G5310	G658	78	\$521	F1
56C17D5343	S038 *	21	\$321	F1	56C17G5326	G874	79	\$600	F1	56C34G5311	G854	79	\$440	F1
56C17D5345	D114 *	22, 147	\$345	F1	56C17G5327	G876	79	\$636	F1	56C34G5314	G873	79	\$499	F1
56C17D5346	X603 *	186	\$408	F1	56C17G5328	G872	79	\$536	F1	56C34G5316	G858	79	\$533	F1
56C17D5347	B336 *	22, 148	\$386	F1	56C17T2002	G511 *	26	\$216	F1	56C34T159	F121	135	\$276	F1
56C17D5348	B337 *	147	\$359	F1	56C17T5301	X905	182	\$291	F1	56C34T160	F120	135	\$242	F1
56C17D5349	B338	148	\$416	F1	56C17T5302	X906	182	\$341	F1	56C34T2004	G534 *	26	\$192	F1
56C17E5302	K032	78, 149	\$350	F1	56C17W5326	N531 *	73	\$424	F3	56C34T5302	F107	135	\$268	F1
56C17E5314	G639 *	78	\$417	F1	56C17W5327	N523 *	73	\$435	F3	56C34W5302	N532 *	73	\$424	F3
56C17E5319	G852 *	79	\$433	F1	56C17W5328	N525 *	73	\$503	F3	56C34W5303	N524 *	73	\$427	F3
56C17F2040	G330 *	24	\$229	F1	56C17W5329	N527 *	73	\$570	F3	56C34W5304	N526 *	73	\$429	F3



# Index

## Model Number/Catalog Number

MODEL NO.	CAT. NO.	PAGE NO.	LIST PRICE	MULT. SYMB.	MODEL NO.	CAT. NO.	PAGE NO.	LIST PRICE	MULT. SYMB.	MODEL NO.	CAT. NO.	PAGE NO.	LIST PRICE	MULT. SYMB.
56C34W5305	N528	73	\$633	F3	56H17T5302	Y535 *	195	\$521	E3	56T11O5308	X522 *	103, 141	\$397	F1
56C34W5307	N558 *	73	\$427	F3	56H17T5311	Y555 *	108, 195	\$437	E3	56T11O5309	X526 *	103, 141	\$1,787	F1
56C34W5308	N540 *	73	\$431	F3	56H17T5312	Y556 *	108, 195	\$521	E3	56T11O5310	X525 *	140, 165	\$476	F1
56C34W5309	N542 *	73	\$433	F3	56S11D2021	B381 *	145	\$244	F1	56T11V5376	N568 *	75	\$572	F3
56C34W5310	N544 *	73	\$634	F3	56S17D2023	S120 *	23	\$153	F1	56T11V5377	N600	75	\$622	F3
56E17F1001	Z602 *	200	\$463	D1	56S17D2046	S022 *	21	\$149	F1	56T11W5377	N604 *	75	\$667	F3
56E17F1002	Z603 *	200	\$463	D1	56S17D2047	B201 *	146	\$125	F1	56T11W5378	N608 *	75	\$704	F3
56E17F1003	Z604 *	200	\$491	D1	56S17D2048	B202 *	146	\$145	F1	56T17D15538	K081	28, 89	\$351	F1
56E17F1004	Z605 *	200	\$491	D1	56S17D2049	B200 *	146	\$197	F1	56T17D2092	K004 *	28	\$274	F1
56E17F1005	Z606 *	200	\$547	D1	56S17D2050	D149 *	146	\$197	F1	56T17D2093	G084 *	28	\$267	F1
56E17F1006	Z607 *	200	\$547	D1	56S17D2053	B308 *	145	\$135	F1	56T17D2094	G063 *	28	\$239	F1
56E17F1007	Z610 *	200	\$664	D1	56S17D2054	B309 *	145	\$143	F1	56T17D2095	G047 *	28	\$212	F1
56E17F1008	Z611 *	200	\$664	D1	56S17D2055	B320 *	145	\$162	F1	56T17D2096	G109 *	149	\$244	F1
56E17F2005	Z612 *	200	\$811	D1	56S17D2056	B321 *	145	\$214	F1	56T17D2097	G107 *	149	\$288	F1
56E17F2006	Z613 *	200	\$811	D1	56S17D2059	B348 *	146	\$214	F1	56T17D2098	G966 *	150	\$273	F1
56E17F2007	Z614 *	200	\$1,014	D1	56S17D2060	D164 *	146	\$256	F1	56T17D2099	G101 *	149	\$315	F1
56E17F2008	Z666 *	202	\$629	D1	56S17D2062	B401 *	135	\$160	F1	56T17D2100	G120 *	150	\$280	F1
56E17F2009	Z667 *	202	\$568	D1	56S17D2064	B100 *	146	\$207	F1	56T17D2101	G100 *	150	\$322	F1
56E17F2010	Z668 *	202	\$749	D1	56S17D2066	S027	21	\$155	F1	56T17D2104	G106 *	149	\$260	F1
56E17F2011	Z669 *	202	\$690	D1	56S17D5700	B389 *	146	\$290	F1	56T17D2105	G245	34	\$192	F1
56E17T2001	Z660 *	202	\$498	D1	56S17D5701	B600 *	146	\$297	F1	56T17D2106	G201 *	34	\$222	F1
56E17T2002	Z662 *	202	\$548	D1	56S17D7202	B387 *	146	\$230	F1	56T17D2107	G203 *	35	\$250	F1
56E17T2003	Z663 *	202	\$524	D1	56S17D7203	B388 *	146	\$236	F1	56T17D2108	G207 *	35	\$279	F1
56E17T2004	Z664 *	202	\$569	D1	56S17F5302	B504	148	\$195	F1	56T17D2109	G221 *	35	\$284	F1
56E17T2005	Z665 *	202	\$544	D1	56S17F5303	B506	148	\$277	F1	56T17D2110	G086 *	28, 89	\$267	F1
56E17V2001	Z630 *	201	\$594	D1	56S17F5304	B507	148	\$234	F1	56T17D2111	G082 *	28	\$267	F1
56E17V2002	Z631 *	201	\$629	D1	56S17F5305	B500 *	148	\$202	F1	56T17D2112	G065 *	28, 89	\$239	F1
56E17V2003	Z634 *	201	\$704	D1	56S17T2002	X900 *	182	\$225	F1	56T17D2113	K003	28	\$274	F1
56E17V2004	Z635 *	201	\$704	D1	56S34D2000	O200 *	164	\$129	F1	56T17D2114	G062 *	28	\$239	F1
56E17V2005	Z636 *	201	\$854	D1	56S34D93	O201	164	\$123	F1	56T17D2115	G242 *	35, 90	\$250	F1
56E17V2006	Z637 *	201	\$854	D1	56T11D5209	X235 *	155	\$436	F1	56T17D2116	G243 *	35, 90	\$279	F1
56E17W2001	Z638 *	201	\$1,042	D1	56T11D5301	G061	28	\$289	F1	56T17D2117	G964	103, 149	\$216	F1
56E17W2002	Z639 *	201	\$1,042	D1	56T11D5302	G067 *	28	\$320	F1	56T17D2118	G961 *	103, 149	\$243	F1
56E17W2003	Z641 *	201	\$1,330	D1	56T11D5303	G088	28	\$330	F1	56T17D2119	G962 *	103, 150	\$272	F1
56H17E5301	Y600	196	\$520	E3	56T11D5304	K007	28	\$357	F1	56T17D2120	G963 *	103, 150	\$279	F1
56H17E5302	Y601	196	\$610	E3	56T11D5311	G248	35	\$330	F1	56T17D2121	G162	149	\$216	F1
56H17E5303	Y602 *	196	\$658	E3	56T11D5317	X609	186	\$539	F1	56T17D2127	G244 *	35, 90	\$284	F1
56H17E5304	Y603	196	\$728	E3	56T11F5300	G301 *	37	\$297	F1	56T17D2128	G046	28	\$212	F1
56H17E5305	Y604 *	196	\$797	E3	56T11F5301	G306 *	37	\$314	F1	56T17D2130	K049 *	28, 89	\$274	F1
56H17F2011	Y506 *	193	\$372	E3	56T11F5302	G324 *	37	\$345	F1	56T17D3301	K063 *	28	\$351	F1
56H17F2012	Y507 *	194	\$372	E3	56T11F5303	G342 *	37	\$357	F1	56T17D3302	K064 *	29	\$372	F1
56H17F2013	Y508	193	\$419	E3	56T11F5304	G360 *	37	\$382	F1	56T17D3303	K065 *	29	\$399	F1
56H17F2014	Y521 *	194	\$419	E3	56T11F5307	K701 *	50	\$405	F2	56T17D3304	K066 *	30	\$408	F1
56H17F2015	Y363	107, 193	\$372	E3	56T11F5308	G589 *	50	\$379	F2	56T17D3305	K067 *	28	\$364	F1
56H17F2016	Y377	107, 194	\$372	E3	56T11F5309	G588 *	50	\$368	F2	56T17D3306	K068 *	29	\$382	F1
56H17F2017	Y362 *	193	\$372	E3	56T11F5310	G587 *	50	\$338	F2	56T17D3308	K080 *	30	\$421	F1
56H17F2018	Y376 *	194	\$372	E3	56T11F5311	G586 *	50	\$321	F2	56T17D3318	X606	186	\$289	F1
56H17F2019	Y365 *	107, 193	\$419	E3	56T11F5320	K404	48	\$367	F1	56T17D3319	X608	186	\$421	F1
56H17F2020	Y379 *	107, 194	\$419	E3	56T11F5321	K407	48	\$392	F1	56T17D3320	X607	186	\$347	F1
56H17F2021	Y364 *	193	\$419	E3	56T11F5325	D451	112	\$743	E5	56T17D5307	K069 *	29	\$412	F1
56H17F2022	Y378 *	194	\$419	E3	56T11F5326	D453 *	112	\$927	E5	56T17D5309	K022 *	29	\$304	F1
56H17T2001	Y592 *	195	\$349	E3	56T11F5327	D455 *	112	\$1,089	E5	56T17D5310	K041 *	29	\$334	F1
56H17T2011	Y500 *	193	\$238	E3	56T11F5328	K700	51	\$430	F2	56T17D5318	G225 *	35	\$314	F1
56H17T2012	Y501 *	194	\$238	E3	56T11O11001	X532 *	140	\$330	F1	56T17D5319	G229 *	35	\$345	F1
56H17T2013	Y502 *	193	\$256	E3	56T11O11002	X533 *	140	\$355	F1	56T17D5329	G122 *	150	\$310	F1
56H17T2014	Y503	194	\$256	E3	56T11O15	X259 *	159	\$232	F1	56T17D5330	G126 *	150	\$352	F1
56H17T2015	Y504 *	193	\$301	E3	56T11O15511	X512	140	\$373	F1	56T17D5332	G127 *	150	\$339	F1
56H17T2016	Y505	194	\$301	E3	56T11O5300	X500 *	141	\$344	F1	56T17D5333	G128 *	150	\$383	F1
56H17T2017	Y360 *	193	\$301	E3	56T11O5301	X501 *	141	\$381	F1	56T17D5336	G905 *	28	\$296	F1
56H17T2018	Y374 *	194	\$301	E3	56T11O5302	X502 *	141	\$399	F1	56T17D5339	G908 *	28	\$324	F1
56H17T2019	Y361 *	107, 193	\$301	E3	56T11O5303	X503 *	141	\$436	F1	56T17D5342	G921 *	28	\$330	F1
56H17T2020	Y375	107, 194	\$301	E3	56T11O5304	X509 *	141	\$473	F1	56T17D5344	G923 *	29	\$361	F1
56H17T2021	Y605 *	193	\$220	E3	56T11O5305	X513 *	140	\$405	F1	56T17D5345	G140 *	149	\$301	F1
56H17T2022	Y606 *	194	\$220	E3	56T11O5306	X523 *	140, 165	\$440	F1	56T17D5346	G141 *	149	\$329	F1
56H17T5301	Y534 *	195	\$437	E3	56T11O5307	X524 *	103, 141	\$434	F1	56T17D5347	G142 *	150	\$335	F1

**Model Number/Catalog Number**

MODEL NO.	CAT. NO.	PAGE NO.	LIST PRICE	MULT. SYMB.	MODEL NO.	CAT. NO.	PAGE NO.	LIST PRICE	MULT. SYMB.	MODEL NO.	CAT. NO.	PAGE NO.	LIST PRICE	MULT. SYMB.
56T17D5348	G143 *	150	\$366	F1	56T17F5336	K705 *	50, 93	\$288	F2	56T34D5300	K027	28	\$176	F1
56T17D5349	G144 *	150	\$405	F1	56T17F5337	K707 *	50, 93	\$315	F2	56T34D5301	G080 *	28	\$216	F1
56T17D5350	G145 *	150	\$426	F1	56T17F5338	K709 *	50, 93	\$322	F2	56T34D5302	K000 *	28	\$246	F1
56T17D5357	G965	103, 150	\$351	F1	56T17F5339	K722 *	51, 93	\$352	F2	56T34D5303	K009 *	29	\$303	F1
56T17D5369	K061 *	29, 89	\$304	F1	56T17F5340	K724 *	51, 93	\$383	F2	56T34D5304	K025 *	29	\$357	F1
56T17D5370	K062 *	29, 89	\$334	F1	56T17F5348	D450 *	112	\$561	E5	56T34D5305	G164 *	149	\$226	F1
56T17D5385	G967	103, 150	\$382	F1	56T17F5349	D452 *	112	\$631	E5	56T34D5306	G167	152	\$264	F1
56T17D5398	H803 *	30	\$364	F1	56T17F5350	D454 *	112	\$741	E5	56T34D5307	G180 *	150	\$294	F1
56T17D5700	G160	149	\$327	F1	56T17F5355	G590 *	51	\$430	F2	56T34D5308	G183 *	150	\$351	F1
56T17D5701	G161	152	\$327	F1	56T17F5356	G591	51, 93	\$430	F2	56T34D5309	G186 *	150	\$405	F1
56T17D5702	G165 *	149	\$355	F1	56T17F5357	D456 *	112	\$880	E5	56T34D5310	P001 *	34, 127, 164	\$166	F1
56T17D5703	G166 *	149	\$355	F1	56T17G5358	D457 *	112	\$977	E5	56T34D5311	P002 *	35, 127, 164	\$188	F1
56T17D5704	G168 *	149	\$422	F1	56T17G5312	G649 *	83	\$573	F1	56T34D5312	P003 *	35, 127, 164	\$226	F1
56T17D5705	G169 *	149	\$422	F1	56T17G5313	G661 *	83	\$605	F1	56T34D5313	P004 *	35, 127, 164	\$257	F1
56T17D5706	G181 *	150	\$437	F1	56T17G5314	G663 *	83	\$611	F1	56T34D5314	P005 *	35, 127, 164	\$313	F1
56T17D5707	G182 *	150	\$437	F1	56T17G5315	G829 *	84	\$530	F1	56T34D5315	P006 *	35, 127, 164	\$367	F1
56T17D5708	G184	150	\$450	F1	56T17G5316	G840 *	84	\$559	F1	56T34D5316	P007 *	35, 127, 164	\$412	F1
56T17D5709	G185	150	\$450	F1	56T17G5317	G841 *	84	\$566	F1	56T34D5325	G240 *	34	\$166	F1
56T17E5308	G646 *	83	\$510	F1	56T17G5318	G844 *	84, 99	\$530	F1	56T34D5326	G241 *	35	\$188	F1
56T17E5309	G647 *	83	\$543	F1	56T17G5319	G845 *	84, 99	\$559	F1	56T34D5327	G205 *	35	\$226	F1
56T17E5310	G827 *	84	\$476	F1	56T17G5320	G846	84, 99	\$566	F1	56T34D5328	G209 *	35	\$257	F1
56T17E5311	G828 *	84	\$503	F1	56T17G5321	G666 *	83, 98	\$573	F1	56T34D5329	G223 *	35	\$313	F1
56T17E5312	G842 *	84, 99	\$476	F1	56T17G5322	G667 *	83, 98	\$605	F1	56T34D5330	G227 *	35	\$367	F1
56T17E5313	G843 *	84, 99	\$503	F1	56T17G5323	G668 *	83, 98	\$611	F1	56T34D5339	G289 *	35	\$412	F1
56T17E5314	G664	83, 98	\$510	F1	56T17T5305	G580 *	50	\$260	F2	56T34D5340	K048	30	\$397	F1
56T17E5315	G665	83, 98	\$543	F1	56T17T5316	K703 *	50, 93	\$260	F2	56T34D5347	J040 *	127	\$166	F1
56T17F2034	G303 *	37	\$224	F1	56T17V5326	N640 *	74	\$408	F3	56T34D5348	J041 *	127	\$188	F1
56T17F2035	G321 *	37	\$250	F1	56T17V5327	N641 *	74	\$433	F3	56T34D5349	J042 *	127	\$226	F1
56T17F2036	G507 *	48	\$276	F1	56T17V5328	N642 *	74	\$447	F3	56T34D5350	J043 *	127	\$257	F1
56T17F2037	G329 *	37	\$276	F1	56T17V5329	N644 *	74	\$517	F3	56T34D5351	J044 *	127	\$313	F1
56T17F2038	G522 *	48	\$304	F1	56T17V5330	N646 *	74	\$539	F3	56T34D5352	J045 *	127	\$367	F1
56T17F2039	G561 *	50	\$280	F1	56T17V5331	N649 *	74	\$562	F3	56T34D5353	J046 *	127	\$412	F1
56T17F2040	G562 *	50	\$309	F1	56T17V5332	N564 *	75	\$410	F3	56T34D5357	B193 *	150	\$454	F1
56T17F2041	G502 *	48	\$237	F1	56T17V5334	N565 *	75	\$434	F3	56T34D5364	X251 *	150, 155	\$608	F1
56T17F2042	G547 *	48	\$222	F1	56T17V5336	N567 *	75	\$458	F3	56T34D5365	J049 *	127	\$230	F1
56T17F2043	G304 *	37, 90	\$224	F1	56T17V5337	N622 *	75, 106	\$458	F3	56T34D5366	J050 *	127	\$261	F1
56T17F2044	G322 *	37, 90	\$250	F1	56T17V5338	N599 *	75	\$530	F3	56T34D5367	J048 *	127	\$192	F1
56T17F2045	G328	37	\$276	F1	56T17V5340	N602 *	75	\$553	F3	56T34D5368	J047	127	\$170	F1
56T17F2046	G340 *	37, 90	\$276	F1	56T17V5342	N606 *	75	\$577	F3	56T34D5369	J051 *	127	\$317	F1
56T17F2047	K405	48, 92	\$222	F1	56T17V5346	N309 *	74	\$481	F3	56T34D5370	J052 *	127	\$371	F1
56T17F2048	G503 *	48, 92	\$237	F1	56T17V5347	N400 *	77	\$904	F3	56T34D5371	J053 *	127	\$416	F1
56T17F2049	G508 *	48, 92	\$276	F1	56T17V5348	N401 *	77	\$938	F3	56T34D5375	X610 *	186	\$303	F1
56T17F2050	G523 *	48, 92	\$304	F1	56T17V5349	N402 *	77	\$960	F3	56T34D6001	U244	57	\$380	E2
56T17F2051	G565	50	\$226	F1	56T17VD5326	N410 *	76	\$482	F3	56T34F15940	E2100*	61	\$525	E9
56T17F2052	G560	50	\$253	F1	56T17VD5327	N412 *	76	\$573	F3	56T34F5301	D391 *	50	\$226	F2
56T17F5302	G347 *	37	\$289	F1	56T17VD5328	N411 *	76	\$496	F3	56T34F5302	D392 *	50	\$264	F2
56T17F5303	G365 *	38	\$330	F1	56T17VD5329	N430 *	76	\$479	F3	56T34F5303	D393 *	50	\$294	F2
56T17F5307	G348 *	37, 90	\$289	F1	56T17VD5330	N431 *	76	\$491	F3	56T34F5304	D394 *	51	\$351	F2
56T17F5310	G527 *	48	\$311	F1	56T17VD5331	N432 *	76	\$571	F3	56T34F5305	D395 *	51	\$405	F2
56T17F5311	G541 *	48	\$341	F1	56T17W5326	N653 *	74	\$655	F3	56T34F5306	D396 *	51	\$450	F2
56T17F5312	G544 *	48	\$368	F1	56T17W5327	N611 *	75	\$662	F3	56T34F5308	G569	50	\$218	F1
56T17F5315	G563 *	50	\$314	F1	56T17W5328	N313 *	75	\$661	F3	56T34F5310	K803 *	50	\$287	F1
56T17F5316	G564 *	51	\$345	F1	56T17W5333	N620 *	75, 106	\$410	F3	56T34F5321	P102 *	48, 128	\$213	F1
56T17F5319	G528 *	48, 92	\$311	F1	56T17W5334	N628 *	75	\$450	F3	56T34F5322	P103 *	48, 128	\$253	F1
56T17F5320	G548 *	48, 92	\$341	F1	56T17W5335	N621	75, 106	\$450	F3	56T34F5323	P104 *	48, 128	\$283	F1
56T17F5321	G581 *	50	\$288	F2	56T17W5339	N623	75, 106	\$530	F3	56T34F5324	P105 *	48, 128	\$329	F1
56T17F5322	G582 *	50	\$315	F2	56T17W5340	N320 *	74	\$458	F3	56T34F5325	P106 *	48, 128	\$382	F1
56T17F5323	G583 *	50	\$322	F2	56T17W5341	N627 *	75, 106	\$553	F3	56T34F5326	P107 *	48, 128	\$414	F1
56T17F5324	G584 *	51	\$352	F2	56T17W5344	N322 *	74	\$430	F3	56T34F5328	G308 *	37	\$203	F1
56T17F5325	G585 *	51	\$383	F2	56T17WD5326	N413 *	76	\$597	F3	56T34F5329	G326 *	37	\$242	F1
56T17F5326	G369	38	\$368	F1	56T17WD5328	N417 *	76	\$711	F3	56T34F5330	G344 *	37	\$272	F1
56T17F5327	G387	39	\$391	F1	56T17WD5329	N415 *	76	\$623	F3	56T34F5331	G383	38	\$328	F1
56T17F5328	K406 *	48	\$453	F1	56T17WD5330	N433 *	76	\$595	F3	56T34F5333	G309 *	37, 90	\$203	F1
56T17F5329	G549 *	48, 92	\$368	F1	56T17WD5331	N435 *	76	\$621	F3	56T34F5334	G327 *	37, 90	\$242	F1
56T17F5330	K806	51	\$384	F1	56T17WD5332	N437 *	76	\$709	F3	56T34F5335	G345 *	37, 90	\$272	F1

\*Stock Model

# Index

## Model Number/Catalog Number

MODEL NO.	CAT. NO.	PAGE NO.	LIST PRICE	MULT. SYMB.	MODEL NO.	CAT. NO.	PAGE NO.	LIST PRICE	MULT. SYMB.	MODEL NO.	CAT. NO.	PAGE NO.	LIST PRICE	MULT. SYMB.
56T34F5336	G363	38, 91	\$328	F1	132STFC4503	R427	104	\$826	F4	143TTDR5347	E715 *	28	\$278	E2
56T34F5337	G368	38, 91	\$382	F1	132STFC4504	R430	104	\$884	F4	143TTDR5348	E901 *	28	\$278	E2
56T34F5338	G385	38	\$428	F1	132STFC4526	R328 *	54	\$826	F4	143TTDR5351	E912 *	28, 89	\$278	E2
56T34F5342	J061 *	128	\$230	F1	132STFC4527	R428	104	\$826	F4	143TTDR5376	H150 *	28	\$300	E6
56T34F5343	J062 *	128	\$270	F1	132STFC4586	R353	54	\$846	F4	143TTDR5378	C111	35	\$389	E6
56T34F5344	J063 *	128	\$300	F1	143TBFR5301	I220 *	25	\$397	S1	143TTDR5401	H180	28	\$389	E6
56T34F5345	J064 *	128	\$361	F1	143TBFR5376	I707	24	\$553	S1	143TTDR6026	E927 *	57	\$287	E2
56T34F5346	J065 *	128	\$414	F1	143TCDR5303	I101	20	\$342	S1	143TTDR6027	U758 *	57	\$433	E2
56T34F5347	J066 *	128	\$472	F1	143TCDR5326	I110 *	20	\$321	S1	143TTDR6028	U245	57	\$423	E2
56T34F5348	K704 *	50, 93	\$226	F2	143TCDR5328	Z401	113	\$367	S2	143TTFN16539	E376	64	\$504	E9
56T34F5349	K706 *	50, 93	\$264	F2	143TCDR5330	Z420	120	\$367	S2	143TTFN6501	E377	64	\$630	E9
56T34F5350	K708 *	50, 93	\$294	F2	143TCFR5326	I210 *	25	\$374	S1	143TTFN6502	E378	64	\$630	E9
56T34F5351	K721 *	51, 93	\$351	F2	143TCFR5328	Z123 *	184	\$420	S1	143TTFN6505	E379	64	\$630	E9
56T34F5352	K723 *	51, 93	\$405	F2	143CTCR5301	F108	135	\$540	S1	143TTFN6526	E374	64	\$504	E9
56T34F5353	K725 *	51, 93	\$450	F2	143CTCR5302	F109	135	\$661	F1	143TTFN6563	E375	64	\$504	E9
56T34F5940	E2000*	60	\$554	E9	143THEN8034	Y978 *	198	\$5,435	E3	143TTFN6576	E373	64	\$617	E9
56T34G5303	G648	83	\$499	F1	143THTN19033	W502 *	69, 96	\$618	E9	143TTFN8076	H457 *	37, 44	\$347	E6
56T34G5304	G660	83	\$547	F1	143THTN8028	Y525 *	197	\$938	E3	143TTFR15582	E2103*	61	\$573	E9
56T34G5305	G662	83	\$581	F1	143THTN8036	Y986 *	199	\$1,696	E3	143TTFR15642	E2101*	61	\$458	E9
56T34T5303	D390 *	50	\$203	F2	143THTN9001	W505	69	\$774	E9	143TTFR4001	E832 *	38	\$342	E8
56T34T5306	P101 *	48, 128	\$192	F1	143THTN9005	W506	69, 96	\$774	E9	143TTFR4003	E830	38	\$342	E8
56T34T5308	J060	128	\$209	F1	143THTN9026	W501 *	69	\$618	E9	143TTFR4005	E834	38, 91	\$342	E8
56T34T5309	K702 *	50, 93	\$203	F2	143THTR5326	Y536 *	195	\$535	E3	143TTFR4007	U304	118	\$480	S2
56T34V5301	N643 *	74	\$451	F3	143TTDR4005	E917	29	\$309	E2	143TTFR4010	U733 *	51	\$408	E8
56T34V5302	N645 *	74	\$527	F3	143TTDR4006	E798	29, 89	\$309	E2	143TTFR4015	U303	118	\$480	S2
56T34V5303	N648	74	\$558	F3	143TTDR4009	E123	114	\$376	S2	143TTFR4021	U305	101, 118	\$480	S2
56T34V5304	N651 *	74	\$639	F3	143TTDR4010	U129	121	\$376	S2	143TTFR4026	E950 *	37	\$325	E8
56T34V5305	N566 *	75	\$409	F3	143TTDR4011	U132	121	\$414	S2	143TTFR4028	E824	37	\$325	E8
56T34V5306	N569 *	75	\$449	F3	143TTDR4016	E120	114	\$376	S2	143TTFR4030	E827 *	37, 90	\$325	E8
56T34V5307	N601 *	75	\$525	F3	143TTDR4017	E122	114	\$414	S2	143TTFR4032	U701 *	50	\$382	E8
56T34V5308	N605 *	75	\$580	F3	143TTDR4018	U128	121	\$376	S2	143TTFR4034	U301	118	\$408	S2
56T34V5309	N609 *	75	\$644	F3	143TTDR4019	U131	121	\$414	S2	143TTFR4040	U300	118	\$408	S2
56T34VD5301	N450 *	76	\$431	F3	143TTDR4022	E121	100, 114	\$376	S2	143TTFR4046	U302	101, 118	\$408	S2
56T34VD5302	N451 *	76	\$441	F3	143TTDR4023	U130	102, 121	\$376	S2	143TTFR5302	C201 *	48	\$337	E6
56T34VD5303	N452 *	76	\$484	F3	143TTDR4024	E124	100, 114	\$414	S2	143TTFR5303	M415	118	\$384	S2
56T34WD5301	N453 *	76	\$569	F3	143TTDR4025	U133	102, 121	\$414	S2	143TTFR5327	H664 *	37	\$286	E6
56T34WD5302	N455 *	76	\$627	F3	143TTDR4027	U406	34	\$278	E2	143TTFR5329	C220 *	48	\$326	E6
56T34WD5303	N457 *	76	\$695	F3	143TTDR4029	U913	34	\$278	E2	143TTFR5332	M401 *	118	\$328	S2
56T8O15504	X531 *	140, 165	\$586	F1	143TTDR4034	E118	114	\$367	S2	143TTFR5333	C230	48, 92	\$326	E6
56T8O5301	X506	141	\$504	F1	143TTDR4035	E100 *	114	\$329	S2	143TTFR5376	H700 *	37	\$347	E6
56T8O5302	X507 *	141, 165	\$524	F1	143TTDR4036	U123	121	\$329	S2	143TTFR5582	E2003*	60	\$515	E9
56T8O5303	X511 *	141	\$433	F1	143TTDR4037	U126	121	\$367	S2	143TTFR5642	E2001*	60	\$445	E9
56T8O5304	X527 *	103, 141	\$522	F1	143TTDR4040	E115	114	\$329	S2	143TTGN1001	U932	87	\$563	E7
56T8O5306	X528 *	140, 165	\$539	F1	143TTDR4041	E117	114	\$367	S2	143TTGN1026	U930 *	87	\$538	E7
56T8O5306	Y528 *	140	\$539	F1	143TTDR4042	U122	121	\$329	S2	143TTGN4001	U058 *	80	\$689	E7
56T8O5307	X530 *	141	\$564	F1	143TTDR4043	U125	121	\$367	S2	143TTGN4026	U001 *	80	\$643	E7
56T8O5531	X529 *	140, 165	\$480	F1	143TTDR4046	E119	100, 114	\$367	S2	143TTGN4030	U020 *	80, 98	\$643	E7
100LTFC4501	R351 *	54	\$512	F4	143TTDR4047	E116	100, 114	\$329	S2	143TTGN4032	U986	80	\$775	E7
100LTFC4502	R451	104	\$512	F4	143TTDR4048	U124	102, 121	\$329	S2	143TTGN4051	C361 *	83	\$709	E7
100LTFC4526	R322 *	54	\$480	F4	143TTDR4049	U127	102, 121	\$367	S2	143TTGN7020	C301	84	\$676	E7
100LTFC4527	R422	104	\$480	F4	143TTDR4051	U418 *	28	\$412	E2	143TTGN7062	C320 *	84	\$650	E7
100LTFC4536	R352 *	54	\$521	F4	143TTDR4052	U417 *	28	\$396	E2	143TTGN7076	H350 *	80	\$674	E7
100LTFC4537	R452	104	\$521	F4	143TTDR4055	U922	28, 89	\$396	E2	143TTTC4026	E826 *	37, 44	\$342	E1
100LTFC4576	R320	53	\$495	F4	143TTDR4061	U416 *	28	\$396	E2	143TTTN4001	E833 *	38, 44	\$361	E1
112MTFC4511	R324 *	54	\$659	F4	143TTDR5305	H603	29	\$275	E6	143TTTN4003	E831	38, 44	\$361	E1
112MTFC4512	R424	104	\$659	F4	143TTDR5307	M103	121	\$300	S2	143TTTN4005	E835	38, 44, 91	\$361	E1
112MTFC4536	R325 *	54	\$635	F4	143TTDR5309	M303 *	114	\$300	S2	143TTTN4028	E825	37, 44	\$342	E1
112MTFC4537	R425	104	\$635	F4	143TTDR5310	M304	114	\$339	S2	143TTTN4030	E828 *	37, 44, 90	\$342	E1
112MTFC4576	R323	54	\$699	F4	143TTDR5313	E783 *	29	\$309	E2	143TTTN6001	E351 *	38, 61	\$573	E9
132MTFC4536	R331 *	54	\$980	F4	143TTDR5327	H601 *	28	\$246	E6	143TTTN6026	E349 *	37, 61	\$458	E9
132MTFC4537	R431	104	\$980	F4	143TTDR5331	C120 *	35	\$334	E6	143TTTN6030	E300 *	37, 61, 90	\$458	E9
132MTFC4586	R326	54	\$977	F4	143TTDR5334	M302 *	114	\$301	S2	143TTTN6501	E651 *	64, 177	\$573	E9
132MTFC4587	R329	54	\$1,175	F4	143TTDR5336	M301 *	114	\$263	S2	143TTTN6502	E463	64	\$573	E9
132STFC4501	R327 *	54	\$826	F4	143TTDR5337	M102	121	\$301	S2	143TTTN6505	E851 *	64, 94	\$573	E9
132STFC4502	R330 *	54	\$884	F4	143TTDR5338	M101	121	\$263	S2	143TTTN6526	E649 *	64, 177	\$458	E9

## Model Number/Catalog Number

MODEL NO.	CAT. NO.	PAGE NO.	LIST PRICE	MULT. SYMB.	MODEL NO.	CAT. NO.	PAGE NO.	LIST PRICE	MULT. SYMB.	MODEL NO.	CAT. NO.	PAGE NO.	LIST PRICE	MULT. SYMB.
143TTTN6530	E666 *	64, 94	\$458	E9	145TTDR4010	E133	114	\$461	S2	145TTDR5312	C103 *	35	\$454	E6
143TTTN6563	E461 *	64	\$458	E9	145TTDR4011	U141	121	\$422	S2	145TTDR5313	M307 *	114	\$337	S2
143TTTN6576	E648 *	64, 177	\$561	E9	145TTDR4012	U144	121	\$461	S2	145TTDR5314	M308 *	114	\$376	S2
143TTVD5326	N403 *	77	\$960	F3	145TTDR4015	E130	114	\$422	S2	145TTDR5315	M311 *	115	\$378	S2
143TTVR5326	N647 *	74	\$539	F3	145TTDR4016	E132	114	\$461	S2	145TTDR5316	M312 *	115	\$417	S2
143TTVR5327	N650 *	74	\$562	F3	145TTDR4017	U140	121	\$422	S2	145TTDR5319	M111 *	122	\$378	S2
143TTVR5329	N310 *	74	\$525	F3	145TTDR4018	U143	121	\$461	S2	145TTDR5325	E784 *	30	\$382	E2
143TTWD4001	N454 *	76	\$611	F3	145TTDR4021	E131	100, 114	\$422	S2	145TTDR5327	H604 *	29	\$270	E6
143TTWD4002	N456 *	76	\$675	F3	145TTDR4022	E134	100, 114	\$461	S2	145TTDR5332	H607 *	29	\$297	E6
143TTWD4026	N414 *	76	\$642	F3	145TTDR4023	U142	102, 121	\$422	S2	145TTDR5337	H681	30	\$322	E6
143TTWD5527	N434 *	76	\$613	F3	145TTDR4024	U145	102, 121	\$461	S2	145TTDR5340	C121 *	35	\$358	E6
143TTWR4028	N626 *	75	\$553	F3	145TTDR4025	E144	100, 115	\$511	S2	145TTDR5341	C122 *	35	\$386	E6
145TBDR5302	I102 *	20	\$408	S1	145TTDR4027	U408	34	\$334	E2	145TTDR5346	M306 *	114	\$325	S2
145TBDR5303	I145	20	\$442	S1	145TTDR4034	E102	114	\$359	S2	145TTDR5348	M305 *	114	\$287	S2
145TBDR5304	Z404	113	\$445	S2	145TTDR4035	E128	114	\$399	S2	145TTDR5350	M310 *	114	\$339	S2
145TBDR5309	Z304 *	183	\$568	S1	145TTDR4036	U147	121	\$376	S2	145TTDR5352	M309 *	114	\$300	S2
145TBDR5326	I118 *	20	\$405	S1	145TTDR4037	U138	121	\$399	S2	145TTDR5354	M105 *	121	\$287	S2
145TBDR5337	I127 *	20, 180, 190	\$497	S1	145TTDR4040	E125	114	\$359	S2	145TTDR5355	M110	121	\$339	S2
145TBDR5345	I147 *	22, 148	\$412	S1	145TTDR4041	E127	114	\$399	S2	145TTDR5356	M109 *	121	\$300	S2
145TBFR5301	I204	25	\$591	S1	145TTDR4042	U134	121	\$359	S2	145TTDR5377	C150	35	\$413	E6
145TBFR5302	I205	25	\$636	S1	145TTDR4043	U137	121	\$399	S2	145TTDR5379	H678	28	\$324	E6
145TBFR5303	I221 *	25	\$434	S1	145TTDR4046	E136	100, 114	\$376	S2	145TTDR5384	C162	35	\$432	E6
145TBFR5305	C282	26	\$591	S1	145TTDR4047	E129	114	\$399	S2	145TTDR5401	H181 *	28	\$442	E6
145TBFR5306	C284	26	\$634	S1	145TTDR4048	U136	102, 121	\$359	S2	145TTDR5630	E716 *	29	\$303	E2
145TBFR5309	T031 *	192	\$636	S1	145TTDR4049	U139	102, 121	\$399	S2	145TTDR5631	E717	29	\$334	E2
145TBFR5326	I211 *	25	\$421	S1	145TTDR4051	E138	114	\$414	S2	145TTDR5632	E902 *	29	\$303	E2
145TBFR5327	I201 *	25	\$474	S1	145TTDR4053	U921	34	\$303	E2	145TTDR5633	E903 *	29	\$334	E2
145TBFR5328	Z118 *	184	\$495	S1	145TTDR4060	E104	114	\$376	S2	145TTDR5640	E913 *	29, 89	\$303	E2
145TBFR5333	I311	191	\$666	S1	145TTDR4061	U135	121	\$359	S2	145TTDR5646	C163	35	\$453	E6
145TBFR5334	I700 *	25	\$530	S1	145TTDR4062	U150	121	\$414	S2	145TTDR5647	H952	170	\$426	E6
145TBFR5336	I702 *	191	\$550	S1	145TTDR4066	E135	114	\$376	S2	145TTDR5665	E914 *	29, 89	\$334	E2
145TBFR5337	C281	26	\$530	S1	145TTDR4067	E137	114	\$414	S2	145TTDR5701	Y465 *	169	\$730	S3
145TBFR5341	Z128 *	184	\$550	S1	145TTDR4068	U146	121	\$376	S2	145TTDR5702	Y466 *	169	\$801	S3
145TBTR5301	F110	135	\$901	S1	145TTDR4069	U149	121	\$414	S2	145TTDR5703	Y449 *	169	\$730	S3
145TCDR5326	I111 *	20	\$388	S1	145TTDR4072	E126	100, 114	\$359	S2	145TTDR5704	Y450	169	\$730	S3
145TCDR5328	Z403	113	\$442	S2	145TTDR4073	E139	100, 114	\$414	S2	145TTDR5705	Y451 *	169	\$801	S3
145TCDR5329	Z422	120	\$442	S2	145TTDR4074	U148	102, 121	\$376	S2	145TTDR5706	Y452 *	169	\$801	S3
145TCDR5331	I146 *	22, 148	\$392	S1	145TTDR4075	U151	102, 121	\$414	S2	145TTDR6002	U247	57	\$504	E2
145TCWR5326	N683 *	73	\$730	F3	145TTDR4076	E728 *	28	\$364	E2	145TTDR6026	E928 *	57	\$313	E2
145TEFR5326	Z615 *	200	\$1,540	D1	145TTDR4078	E785	28	\$364	E2	145TTDR6027	E929 *	57	\$345	E2
145TEFR5327	Z616 *	200	\$1,837	D1	145TTDR4080	E934	29, 89	\$364	E2	145TTDR6028	U759 *	57	\$452	E2
145THEN8034	Y979 *	198	\$5,549	E3	145TTDR4103	U905	29	\$364	E2	145TTDR6029	U760 *	57	\$512	E2
145THFR5326	Y523 *	193	\$691	E3	145TTDR4105	E932	30, 89	\$382	E2	145TTDR6039	U246	57	\$499	E2
145THFR5329	Y368 *	193	\$691	E3	145TTDR4110	E143	115	\$511	S2	145TTDR6076	U265	57	\$504	E2
145THFR5330	Y369 *	107, 193	\$691	E3	145TTDR4111	U153	122	\$472	S2	145TTFN6501	E382	64	\$661	E9
145THTN19002	W512	69, 96	\$811	E9	145TTDR4112	U156	122	\$511	S2	145TTFN6505	E384	64	\$661	E9
145THTN19033	W514 *	69, 96	\$736	E9	145TTDR4115	E140	115	\$472	S2	145TTFN6521	E383	64	\$661	E9
145THTN19045	W508 *	69, 96	\$670	E9	145TTDR4117	U152	122	\$472	S2	145TTFN6527	E385	65	\$601	E9
145THTN19079	W638	69	\$778	E9	145TTDR4118	U155	122	\$511	S2	145TTFN6530	E387	65	\$601	E9
145THTN6046	Y551 *	195	\$898	E3	145TTDR4121	E141	100, 115	\$472	S2	145TTFN6835	E386	65	\$601	E9
145THTN6060	Y557 *	108, 195	\$898	E3	145TTDR4123	U154	102, 122	\$472	S2	145TFFR13002	E2106*	61	\$601	E9
145THTN8029	Y526 *	197	\$1,016	E3	145TTDR4124	U157	102, 122	\$511	S2	145TFFR16033	E2104*	61	\$497	E9
145THTN8037	Y590 *	197	\$943	E3	145TTDR4126	U420 *	29	\$421	E2	145TFFR16035	E2107*	61	\$546	E9
145THTN8043	Y987 *	199	\$1,889	E3	145TTDR4127	U421 *	29	\$437	E2	145TFFR16078	E2102*	61	\$576	E9
145THTN9001	W511	69	\$811	E9	145TTDR4128	U419 *	29	\$421	E2	145TFFR3002	E2006*	60	\$571	E9
145THTN9026	W507 *	69	\$670	E9	145TTDR4130	U923 *	29, 89	\$421	E2	145TFFR4001	E994 *	38	\$397	E8
145THTN9027	W513 *	69	\$736	E9	145TTDR4132	U423 *	29	\$454	E2	145TFFR4005	E840	38	\$397	E8
145THTN9076	W503 *	69	\$778	E9	145TTDR4133	U424 *	29	\$470	E2	145TFFR4007	E843	38, 91	\$397	E8
145THTR5326	Y538 *	195	\$650	E3	145TTDR4134	U422 *	29	\$454	E2	145TFFR4009	U735 *	51	\$447	E8
145THTR5328	Y522 *	193	\$521	E3	145TTDR4136	U924	30, 89	\$454	E2	145TFFR4011	U310	118	\$520	S2
145THTR5329	Y366 *	193	\$521	E3	145TTDR4303	E105	115	\$472	S2	145TFFR4017	U309	118	\$520	S2
145THTR5330	Y367 *	107, 193	\$521	E3	145TTDR4307	E142	115	\$511	S2	145TFFR4023	U311	101, 118	\$520	S2
145THTR5376	Y537 *	195	\$620	E3	145TTDR5304	E702 *	29	\$364	E2	145TFFR4026	E951 *	38	\$362	E8
145TTDR4003	E919	30	\$382	E2	145TTDR5310	H609	30	\$364	E6	145TFFR4027	E952 *	38	\$397	E8
145TTDR4005	U906	29, 89	\$364	E2	145TTDR5311	C102	35	\$413	E6	145TFFR4029	E836	38	\$362	E8



# Index

## Model Number/Catalog Number

MODEL NO.	CAT. NO.	PAGE NO.	LIST PRICE	MULT. SYMB.	MODEL NO.	CAT. NO.	PAGE NO.	LIST PRICE	MULT. SYMB.	MODEL NO.	CAT. NO.	PAGE NO.	LIST PRICE	MULT. SYMB.
145TTFR4032	E845	38	\$397	E8	145TTTN4076	E829 *	37, 44	\$437	E1	182THFS9102	W504	69	\$1,367	E9
145TTFR4038	E838 *	38, 91	\$362	E8	145TTTN4080	U672 *	37, 90	\$437	E1	182THTL7726	Y541 *	195	\$1,113	E3
145TTFR4039	E847 *	38, 91	\$397	E8	145TTTN6001	E353 *	38, 61	\$601	E9	182THTL7736	Y558 *	108, 195	\$1,113	E3
145TTFR4040	U707 *	51	\$416	E8	145TTTN6026	E352 *	38, 61	\$497	E9	182THTS19033	W520 *	69, 96	\$999	E9
145TTFR4044	U313	118	\$468	S2	145TTTN6027	E354 *	38, 61	\$546	E9	182THTS8028	Y527 *	197	\$1,276	E3
145TTFR4045	U307	118	\$447	S2	145TTTN6030	E302	38, 91	\$546	E9	182THTS8048	Y988 *	199	\$2,473	E3
145TTFR4046	U703	51	\$388	E8	145TTTN6031	E301	38, 91	\$497	E9	182THTS9001	W517 *	69, 175	\$1,114	E9
145TTFR4048	U306	118	\$447	S2	145TTTN6076	E350 *	37, 61	\$576	E9	182THTS9026	W519 *	69, 175	\$999	E9
145TTFR4050	U312	118	\$468	S2	145TTTN6501	E653 *	64, 177	\$601	E9	182THTS9076	W509 *	69, 175	\$996	E9
145TTFR4052	U705	51, 93	\$388	E8	145TTTN6505	E852	64, 94	\$601	E9	182TTDB4026	E718 *	30	\$391	E2
145TTFR4054	U308	101, 118	\$447	S2	145TTTN6521	E466	64	\$601	E9	182TTDB7325	M1315 *	115	\$468	S2
145TTFR4058	U704 *	51	\$388	E8	145TTTN6526	E652 *	64, 177	\$497	E9	182TTDB7350	M1314 *	115	\$447	S2
145TTFR4070	U706	51	\$416	E8	145TTTN6527	E654 *	65, 177	\$546	E9	182TTDB7355	M313 *	115	\$367	S2
145TTFR4076	E979 *	37	\$414	E8	145TTTN6529	E667 *	64, 94	\$497	E9	182TTDB7601	M1316 *	115	\$549	S2
145TTFR4126	U708	51, 93	\$416	E8	145TTTN6530	E668 *	65, 94	\$546	E9	182TTDR4001	E704 *	30	\$438	E2
145TTFR4128	U314	101, 118	\$468	S2	145TTTN6576	E650 *	64, 177	\$576	E9	182TTDR4002	E107 *	115	\$566	E2
145TTFR5302	C202 *	48	\$392	E6	145TTTN6584	E462	64	\$576	E9	182TTDR4027	E904 *	30	\$391	E2
145TTFR5303	M403 *	118	\$414	S2	145TTTN6834	E464 *	64	\$497	E9	182TTDR4030	E915 *	30, 89	\$391	E2
145TTFR5307	C236 *	48	\$422	E6	145TTTN6835	E467 *	65	\$546	E9	182TTDR4033	E106	115	\$438	S2
145TTFR5310	M418 *	118	\$426	S2	145TTVR5301	N652 *	74	\$639	F3	182TTDR4036	E147	115	\$516	S2
145TTFR5328	H665 *	38	\$317	E6	145TTVR5302	N610 *	75	\$714	F3	182TTDR4048	U162	122	\$516	S2
145TTFR5330	H666 *	38	\$349	E6	145TTVR5326	N607 *	75	\$577	F3	182TTDR4074	U425 *	30	\$534	E2
145TTFR5332	C221 *	48	\$379	E6	145TTWD4001	N458 *	76	\$809	F3	182TTDR4075	U925	30, 89	\$534	E2
145TTFR5334	C222 *	48	\$405	E6	145TTWD4026	N404 *	77	\$960	F3	182TTDR4076	E729 *	29	\$400	E2
145TTFR5336	M402 *	118	\$358	S2	145TTWD4027	N405 *	77	\$1,193	F3	182TTDR4083	E799 *	29	\$400	E2
145TTFR5338	M404 *	118	\$375	S2	145TTWD4029	N418 *	76	\$793	F3	182TTDR4104	E933	30	\$438	E2
145TTFR5340	C231	48, 92	\$379	E6	145TTWD5528	N438 *	76	\$729	F3	182TTDR4106	U908	30, 89	\$438	E2
145TTFR5341	C232	48, 92	\$405	E6	145TTWR4001	N613 *	75	\$842	F3	182TTDR4108	U402 *	36	\$630	E2
145TTFR5344	C260	48	\$461	E6	145TTWR4026	N612 *	75	\$714	F3	182TTDR4111	E153	115	\$642	S2
145TTFR5359	C403 *	112	\$1,026	E5	145TTWR4027	N312 *	74	\$655	F3	182TTDR4113	U168	122	\$642	S2
145TTFR5360	C401 *	112	\$977	E5	145TTWR4029	N321 *	74	\$527	F3	182TTDR4116	E150	115	\$566	S2
145TTFR5378	C250	48	\$408	E6	145TTWR5301	N655 *	74	\$780	F3	182TTDR4117	E152	115	\$642	S2
145TTFR5382	C400 *	112	\$1,167	E5	145TTWR5326	N654 *	74	\$655	F3	182TTDR4118	U164	122	\$566	S2
145TTFR6033	E2004 *	60	\$485	E9	160LFC4513	R339 *	54	\$2,045	F4	182TTDR4119	U167	122	\$642	S2
145TTFR6035	E2007 *	60	\$531	E9	160LFC4538	R337 *	54	\$1,771	F4	182TTDR4122	E151	100, 115	\$566	S2
145TTFR6078	E2002 *	60	\$536	E9	160LFC4588	R335	54	\$1,956	F4	182TTDR4123	E154	100, 115	\$642	S2
145TTGN1001	U935	87	\$628	E7	160MTFC4511	R333 *	54	\$1,432	F4	182TTDR4124	U166	102, 122	\$566	S2
145TTGN1026	U933 *	87	\$566	E7	160MTFC4512	R336 *	54	\$1,680	F4	182TTDR4125	U169	102, 122	\$642	S2
145TTGN1027	U936 *	87	\$605	E7	160MTFC4536	R334 *	54	\$1,432	F4	182TTDR4127	U409	34	\$416	E2
145TTGN1076	U931	87	\$632	E7	160MTFC4586	R332	54	\$1,524	F4	182TTDR4129	U916	34	\$416	E2
145TTGN4001	U059 *	80	\$808	E7	180LFC4538	R343 *	54	\$2,530	F4	182TTDR4135	E148	115	\$516	S2
145TTGN4026	U002 *	80	\$686	E7	180LFC4588	R338	54	\$2,743	F4	182TTDR4136	U159	122	\$438	S2
145TTGN4027	U003 *	80	\$726	E7	180MTFC4511	R342 *	54	\$2,430	F4	182TTDR4140	E145	115	\$438	S2
145TTGN4032	C362 *	83	\$750	E7	180MTFC4536	R340 *	54	\$2,251	F4	182TTDR4142	U158	122	\$438	S2
145TTGN4035	U021 *	80, 98	\$686	E7	182TBF85301	I206 *	25	\$668	S1	182TTDR4143	U161	122	\$516	S2
145TTGN4040	U022 *	80, 98	\$726	E7	182TBF85326	I212 *	25	\$576	S1	182TTDR4146	E146	100, 115	\$438	S2
145TTGN4049	C363 *	83	\$789	E7	182TCDR17079	I141	20	\$537	S1	182TTDR4147	E149	100, 115	\$516	S2
145TTGN4050	U988	80	\$874	E7	182TCDR7001	I103 *	20	\$509	S1	182TTDR4148	U160	102, 122	\$438	S2
145TTGN4051	U987	80	\$825	E7	182TCDR7013	Z309	183	\$683	S1	182TTDR4149	U163	102, 122	\$516	S2
145TTGN4076	U039 *	80	\$775	E7	182TCDR7026	I112 *	20	\$453	S1	182TTDR4156	U426	30	\$534	E2
145TTGN7022	C302	84	\$734	E7	182TCDR7074	Z405 *	113	\$507	S2	182TTDR4811	U165	122	\$566	S2
145TTGN7337	C321 *	84	\$688	E7	182TCDR7318	Z406 *	113	\$563	S2	182TTDR5302	L631	30	\$442	E6
145TTGN7338	C322 *	84	\$725	E7	182TCDR7354	Z424	120	\$507	S2	182TTDR5303	M362 *	115	\$453	S2
145TTTC4026	E837 *	38, 44	\$380	E1	182TCDR8005	Z425	120	\$563	S2	182TTDR5304	M363 *	115	\$532	S2
145TTTC4027	E846 *	38, 44	\$418	E1	182TCFR7072	Z119 *	184	\$599	S1	182TTDR5305	M172 *	122	\$453	S2
145TTTN18531	S503	187	\$1,218	E9	182TCFR9061	Z112 *	185	\$634	S1	182TTDR5327	L102 *	30	\$332	E6
145TTTN18532	S553	105, 187	\$1,218	E9	182TCWR7026	N684	73	\$1,061	F3	182TTDR5335	L105	30	\$392	E6
145TTTN18577	S501	187	\$1,218	E9	182TEFR5326	Z617 *	200	\$1,837	D1	182TTDR5336	M360 *	115	\$351	S2
145TTTN4001	E842 *	38, 44	\$418	E1	182THES8048	Y980 *	198	\$5,728	E3	182TTDR5337	M361 *	115	\$430	S2
145TTTN4003	E841	38, 44	\$418	E1	182THFR5326	Y530	193	\$815	E3	182TTDR5338	M170 *	122	\$351	S2
145TTTN4005	E844 *	38, 44, 91	\$418	E1	182THFR5329	Y370 *	193	\$815	E3	182TTDR5339	M171	122	\$430	S2
145TTTN4030	U606	38, 44	\$418	E1	182THFR5330	Y371	107, 193	\$815	E3	182TTDR6001	U248	57	\$553	E2
145TTTN4032	U601	38, 44	\$380	E1	182THFR7726	Y998	193	\$850	E3	182TTDR6030	E930 *	57	\$525	E2
145TTTN4035	E839 *	38, 44, 91	\$380	E1	182THFR7729	Y999 *	193	\$850	E3	182TTDR6076	U266	57	\$593	E2
145TTTN4040	E848 *	38, 44, 91	\$418	E1	182THFR7730	Y270	107, 193	\$850	E3	182TTDR7095	H679	29	\$357	E6

\*Stock Model

SB300 - Prices and Specifications are subject to change without notice.



## Model Number/Catalog Number

MODEL NO.	CAT. NO.	PAGE NO.	LIST PRICE	MULT. SYMB.	MODEL NO.	CAT. NO.	PAGE NO.	LIST PRICE	MULT. SYMB.	MODEL NO.	CAT. NO.	PAGE NO.	LIST PRICE	MULT. SYMB.
182TTDR7101	H182	29	\$478	E6	182TTFS8101	L409 *	37, 44	\$661	E6	184TCDR9627	C174	23	\$546	S1
182TTDR7203	Y485	169	\$606	S3	182TTGS1001	U938	87	\$708	E7	184TCFR7061	Z120 *	184	\$746	S1
182TTDR7211	Y409 *	169	\$883	S3	182TTGS1026	U939 *	87	\$709	E7	184TCFR7726	I213 *	25	\$684	S1
182TTDR7325	M315 *	115	\$468	S2	182TTGS1076	U934	87	\$683	E7	184TCFR9057	Z113 *	185	\$789	S1
182TTDR7350	M314 *	115	\$447	S2	182TTGS4001	U060 *	80	\$836	E7	184THFR7726	Y372 *	193	\$967	E3
182TTDR7356	M113	122	\$367	S2	182TTGS4026	U004 *	80	\$828	E7	184THFR7736	Y373	107, 193	\$967	E3
182TTDR7411	Y467 *	169	\$883	S3	182TTGS4030	U023 *	80, 98	\$828	E7	184THFS19006	W524	70, 96	\$1,238	E9
182TTDR7412	Y484 *	169	\$606	S3	182TTGS4036	C368	83, 99	\$917	E7	184THFS9001	W523 *	70, 175	\$1,238	E9
182TTDR7413	Y453 *	169	\$883	S3	182TTGS4041	U989	80	\$996	E7	184THFS9026	W525 *	70, 175	\$1,158	E9
182TTDR7601	M316 *	115	\$549	S2	182TTGS4069	C364 *	83	\$917	E7	184THFS9030	W526 *	70, 96	\$1,158	E9
182TTDR7605	M114 *	122	\$468	S2	182TTGS4076	U040 *	80	\$808	E7	184THTL7726	Y543 *	195	\$1,329	E3
182TTDR7627	H610	30	\$332	E6	182TTGS7068	C323 *	84	\$863	E7	184THTL7736	Y559 *	108, 195	\$1,329	E3
182TTDR7910	H612 *	30	\$442	E6	182TTGS7315	C303 *	84	\$807	E7	184THTL7776	Y540 *	195	\$1,284	E3
182TTDR8067	C123 *	35	\$462	E6	182TTTL7034	C405 *	112	\$1,358	E5	184THTS8028	Y564 *	197	\$1,427	E3
182TTDR8204	C104 *	35	\$575	E6	182TTTS18532	S506	187	\$1,646	E9	184THTS8056	Y989 *	199	\$2,981	E3
182TTDR8353	H953	170	\$474	E6	182TTTS6001	E216 *	38, 61	\$825	E9	184THTS9076	W515 *	69, 175	\$1,230	E9
182TTDR8652	M801	131	\$809	S5	182TTTS6026	E201 *	39, 61	\$740	E9	184TTDB4026	E719 *	30	\$425	E2
182TTDR8724	M803	131	\$1,296	S5	182TTTS6030	E303 *	39, 91	\$740	E9	184TTDB7322	M1319 *	115	\$543	S2
182TTFB4026	E953 *	38	\$425	E8	182TTTS6076	E231 *	38, 61	\$737	E9	184TTDB7325	M1320 *	115	\$622	S2
182TTFC4026	U607 *	39, 44	\$447	E1	182TTTS6501	E601 *	65, 177	\$825	E9	184TTDB7356	M318 *	115	\$532	S2
182TTFR16001	E2109 *	61	\$825	E9	182TTTS6505	E853	65, 94	\$825	E9	184TTDB7357	M317 *	115	\$453	S2
182TTFR16026	E2110 *	61	\$740	E9	182TTTS6526	E616 *	65, 177	\$740	E9	184TTDR4001	E705 *	30	\$567	E2
182TTFR16076	E2105 *	61	\$737	E9	182TTTS6530	E669 *	65, 94	\$740	E9	184TTDR4002	E109	115	\$680	S2
182TTFR17043	M876	133	\$1,053	S5	182TTTS6538	E470 *	65	\$740	E9	184TTDR4027	E905 *	30	\$425	E2
182TTFR4001	E967 *	38	\$449	E8	182TTTS6576	E632 *	64, 177	\$737	E9	184TTDR4030	E916 *	30, 89	\$425	E2
182TTFR4005	U603	38, 91	\$449	E8	182TTTS6578	E465 *	64	\$737	E9	184TTDR4034	E108	115	\$566	S2
182TTFR4007	U737	51	\$642	E8	182TTWD14031	N406 *	77	\$1,433	F3	184TTDR4076	E730 *	30	\$514	E2
182TTFR4009	U316	118	\$596	S2	182TTWR4026	N614 *	75	\$939	F3	184TTDR4103	E937	30	\$567	E2
182TTFR4013	U736	51	\$582	E8	182TTWR4027	N314 *	74	\$866	F3	184TTDR4105	E938	30, 89	\$567	E2
182TTFR4015	U315	118	\$596	S2	182TTWR7026	N656 *	74	\$858	F3	184TTDR4107	U404 *	36	\$849	E2
182TTFR4021	U317	101, 118	\$596	S2	182UTTS4001	P415	171	\$736	E9	184TTDR4110	E163	115	\$758	S2
182TTFR4038	U605	39	\$425	E8	182UTTS4026	P412	171	\$798	E9	184TTDR4111	U177	122	\$680	S2
182TTFR4040	U608 *	39, 91	\$425	E8	182UTTS4027	P512	173	\$855	E9	184TTDR4112	U180	122	\$758	S2
182TTFR4042	U710	51	\$574	E8	182UTTS4028	P612	174	\$855	E9	184TTDR4115	E160	115	\$680	S2
182TTFR4044	U319	118	\$545	S2	182UTTS8026	P312	171	\$619	E9	184TTDR4116	E162	115	\$758	S2
182TTFR4056	U320	101, 118	\$545	S2	184TBD7026	I114 *	21	\$642	S1	184TTDR4117	U176	122	\$680	S2
182TTFR4076	E982 *	38	\$428	E8	184TBDR5301	Z504	181	\$730	S1	184TTDR4118	U179	122	\$758	S2
182TTFR4320	C381 *	51	\$707	E8	184TBDR5326	Z502 *	181	\$520	S1	184TTDR4121	E161	100, 115	\$680	S2
182TTFR4340	C382 *	51	\$632	E8	184TBDR7001	I108 *	21	\$947	S1	184TTDR4122	E164	100, 115	\$758	S2
182TTFR4345	C383 *	51, 93	\$632	E8	184TBDR7009	Z307 *	183	\$1,047	S1	184TTDR4123	U178	102, 122	\$680	S2
182TTFR5302	M405 *	118	\$476	S2	184TBDR7324	Z313	183	\$1,047	S1	184TTDR4124	U181	102, 122	\$758	S2
182TTFR5327	L633 *	39	\$389	E6	184TBDR7369	Z124	136	\$1,291	S1	184TTDR4132	U403	36	\$617	E2
182TTFR5330	M422 *	118	\$436	S2	184TBDR7375	I119 *	181, 190	\$829	S1	184TTDR4135	E158	115	\$642	S2
182TTFR6001	E2009 *	60	\$740	E9	184TBDR7628	I305	190	\$689	F1	184TTDR4136	U171	122	\$566	S2
182TTFR6026	E2010 *	60	\$664	E9	184TBDR7630	I130 *	190	\$629	F1	184TTDR4140	E155	115	\$566	S2
182TTFR6076	E2005 *	60	\$701	E9	184TBDR7631	I128 *	190	\$580	S1	184TTDR4141	E157	115	\$642	S2
182TTFR7094	C251	48	\$479	E6	184TBDR7632	I131	190	\$837	S1	184TTDR4142	U170	122	\$566	S2
182TTFR7325	C203 *	48	\$500	E6	184TBDR7634	I308	190	\$949	F1	184TTDR4143	U173	122	\$642	S2
182TTFR7634	C223 *	48	\$480	E6	184TBDR7656	Z506 *	181	\$625	S1	184TTDR4146	E156	100, 115	\$566	S2
182TTFR7726	H710	39, 180	\$448	E6	184TBFR7034	I315 *	184, 191	\$1,000	S1	184TTDR4147	E159	100, 115	\$642	S2
182TTFR7757	M406	118	\$453	S2	184TBFR7041	I314 *	184, 191	\$838	S1	184TTDR4148	U172	102, 122	\$566	S2
182TTFR9317	M875	133	\$1,201	S5	184TBFR7070	Z114 *	185	\$962	S1	184TTDR4149	U175	102, 122	\$642	S2
182TTFS4001	U602 *	38, 44	\$471	E1	184TBFR7315	Z433 *	113	\$853	S2	184TTDR4153	U427 *	30	\$605	E2
182TTFS4005	U604	38, 44, 91	\$471	E1	184TBFR7701	I223 *	25	\$853	S1	184TTDR4166	U428 *	30	\$605	E2
182TTFS4030	U609 *	39, 44, 91	\$447	E1	184TBFR7726	I214 *	25	\$842	S1	184TTDR4178	E918 *	30	\$514	E2
182TTFS4076	E823 *	38, 44	\$449	E1	184TBFR7737	Z121 *	184	\$908	S1	184TTDR6001	U249	57	\$800	E2
182TTFS4557	U867 *	47, 167	\$789	S3	184TCDR7001	I104 *	21	\$684	S1	184TTDR6031	E931 *	57	\$590	E2
182TTFS6501	E390	65	\$908	E9	184TCDR7011	Z408 *	113	\$824	S2	184TTDR6076	U267	57	\$604	E2
182TTFS6505	E392	65	\$908	E9	184TCDR7026	I113 *	20	\$529	S1	184TTDR7097	H697	30	\$364	E6
182TTFS6519	E391	65	\$908	E9	184TCDR7047	Z407 *	113	\$658	S2	184TTDR7101	H183	29	\$580	E6
182TTFS6526	E393	65	\$814	E9	184TCDR7076	I142	20	\$668	S1	184TTDR7209	Y487 *	169	\$848	S3
182TTFS6530	E395	65	\$814	E9	184TCDR7615	Z305 *	183	\$832	S1	184TTDR7215	Y412 *	169	\$919	S3
182TTFS6538	E394	65	\$814	E9	184TCDR7617	Z306 *	183	\$939	S1	184TTDR7230	Y468 *	169	\$919	S3
182TTFS6576	E380	64	\$811	E9	184TCDR7626	Z426	120	\$658	S2	184TTDR7286	Y454 *	169	\$919	S3
182TTFS6578	E381	64	\$811	E9	184TCDR7909	Z427 *	120	\$824	S2	184TTDR7287	Y486 *	169	\$848	S3

# Index

## Model Number/Catalog Number

MODEL NO.	CAT. NO.	PAGE NO.	LIST PRICE	MULT. SYMB.	MODEL NO.	CAT. NO.	PAGE NO.	LIST PRICE	MULT. SYMB.	MODEL NO.	CAT. NO.	PAGE NO.	LIST PRICE	MULT. SYMB.
184TTDR7322	M319 *	115	\$543	S2	184TTFS6810	E472 *	65	\$917	E9	213TCDW7028	Z428	120	\$904	S2
184TTDR7325	M320 *	115	\$622	S2	184TTFS6844	E473 *	65	\$858	E9	213TCDW7076	I143	20	\$830	S1
184TTDR7358	M115 *	122	\$453	S2	184TTFS7290	Y380	168	\$1,287	S3	213THES8053	Y981 *	198	\$6,026	E3
184TTDR7379	C152	35	\$497	E6	184TTFS8102	L410 *	38, 44	\$762	E6	213THFS8028	Y595 *	197	\$1,669	E3
184TTDR7604	M116 *	122	\$543	S2	184TTGS1001	U941 *	87	\$891	E7	213THFS9026	W532 *	70, 175	\$1,419	E9
184TTDR7611	Y302 *	183	\$697	E6	184TTGS1026	U942 *	87	\$789	E7	213THFS9030	W533	70, 96	\$1,419	E9
184TTDR7612	Y303 *	183	\$739	E6	184TTGS1076	U937 *	87	\$791	E7	213THFS9076	W521 *	69, 175	\$1,515	E9
184TTDR7625	H615	30	\$526	E6	184TTGS4001	U061 *	80	\$1,016	E7	213THFW7726	Y994 *	193	\$1,237	E3
184TTDR7627	H613 *	30	\$374	E6	184TTGS4026	U005 *	80	\$908	E7	213THFW7736	Y995	107, 193	\$1,237	E3
184TTDR79308	C105 *	35	\$659	E6	184TTGS4030	U024 *	80, 98	\$908	E7	213THTL7726	Y545 *	195	\$1,745	E3
184TTDR8039	M163	122	\$532	S2	184TTGS4037	C369	84, 99	\$999	E7	213THTL7736	Y560 *	108, 195	\$1,745	E3
184TTDR8329	C124 *	35	\$504	E6	184TTGS4044	U990	80	\$1,093	E7	213THTL7776	Y542 *	195	\$1,582	E3
184TTDR9040	H954 *	170	\$603	E6	184TTGS4075	C365 *	84	\$999	E7	213THTS19005	W531	70, 96	\$1,495	E9
184TTDR9639	M804	131	\$1,245	S5	184TTGS4076	U041 *	80	\$914	E7	213THTS8038	Y565 *	197	\$1,922	E3
184TTFB4026	E954 *	39	\$425	E8	184TTGS7072	C324 *	84	\$937	E7	213THTS8071	Y990 *	199	\$3,736	E3
184TTFC4026	U618 *	39, 44	\$520	E1	184TTGS7313	C304 *	84	\$1,013	E7	213THTS9001	W530 *	70, 175	\$1,495	E9
184TTFR16001	E2112 *	61	\$917	E9	184TTTL7041	C406 *	112	\$1,836	E5	213TTDBA4026	E720 *	31	\$591	E2
184TTFR16026	E2113 *	61	\$858	E9	184TTTL7083	C404	112	\$1,358	E5	213TTDBA4028	E906 *	31	\$591	E2
184TTFR16076	E2108 *	61	\$911	E9	184TTTL7084	C402	112	\$1,301	E5	213TTDBA7022	M1323 *	115	\$699	S2
184TTFR4001	E963 *	39	\$555	E8	184TTTS18577	S504	187	\$1,684	E9	213TTDBA7047	M321 *	116	\$654	S2
184TTFR4003	U611	39	\$555	E8	184TTTS18578	S554	105, 187	\$1,684	E9	213TTDBA7048	M1322 *	115	\$758	S2
184TTFR4005	U614	39, 91	\$555	E8	184TTTS6076	E232 *	38, 61	\$911	E9	213TTDC6001	U764 *	57	\$872	E2
184TTFR4007	U739	51	\$684	E8	184TTTS6576	E633 *	65, 177	\$911	E9	213TTDC6026	U763 *	57	\$764	E2
184TTFR4009	U322	118	\$708	S2	184TTTS6582	E468 *	65	\$911	E9	213TTDC6076	U268	57	\$739	E2
184TTFR4013	U738	51	\$684	E8	184TTWD14031	N407 *	77	\$1,634	F3	213TTDW4001	E706 *	31	\$736	E2
184TTFR4021	U323	101, 118	\$708	S2	184TTWR4001	N615 *	75	\$1,175	F3	213TTDW4003	E939	31	\$736	E2
184TTFR4038	U616	39	\$496	E8	184TTWR4003	N317 *	74	\$1,236	F3	213TTDW4007	E174	100, 116	\$976	S2
184TTFR4040	U619 *	39, 91	\$496	E8	184TTWR4004	N315 *	74	\$990	F3	213TTDW4008	E172	116	\$976	S2
184TTFR4042	U325	118	\$708	S2	184TTWR4026	N616 *	75	\$1,061	F3	213TTDW4009	E170	116	\$874	S2
184TTFR4044	U713	51	\$625	E8	184TTWR4027	N316 *	74	\$990	F3	213TTDW4010	E171	100, 116	\$874	S2
184TTFR4056	U326	101, 118	\$708	S2	184TTWR7001	N657 *	74	\$1,088	F3	213TTDW4011	U188	123	\$874	S2
184TTFR4076	E995 *	38	\$470	E8	184TTWR7026	N658 *	74	\$972	F3	213TTDW4012	U190	102, 123	\$874	S2
184TTFR4320	C385 *	51	\$755	E8	184UTFS4001	P419	171	\$811	E9	213TTDW4013	U191	123	\$976	S2
184TTFR4340	C386 *	51	\$666	E8	184UTFS4002	P423	171	\$920	E9	213TTDW4014	U193	102, 123	\$976	S2
184TTFR4345	C387 *	51, 93	\$666	E8	184UTFS4004	P520	173	\$977	E9	213TTDW4022	E111	116	\$874	S2
184TTFR4380	C380 *	51	\$693	E8	184UTFS4026	P420	171	\$901	E9	213TTDW4023	E173	116	\$976	S2
184TTFR5302	M423 *	118	\$567	S2	184UTFS4027	P518	173	\$959	E9	213TTDW4024	U189	123	\$874	S2
184TTFR6001	E2012 *	60	\$858	E9	184UTFS4028	P616	174	\$959	E9	213TTDW4025	U192	123	\$976	S2
184TTFR6026	E2013 *	60	\$775	E9	184UTFS8026	P320	171	\$698	E9	213TTDW4027	U411	34	\$708	E2
184TTFR6076	E2008 *	60	\$803	E9	184UTTS4026	P416	171	\$855	E9	213TTDW4029	U918	34	\$708	E2
184TTFR7082	C252	48	\$539	E6	184UTTS4027	P515	173	\$912	E9	213TTDW4030	E758 *	31, 89	\$591	E2
184TTFR7727	H668 *	39	\$453	E6	184UTTS4028	P614	174	\$912	E9	213TTDW4033	E167	116	\$718	S2
184TTFR7760	M408 *	118	\$567	S2	184UTTS4076	P413	171	\$976	E9	213TTDW4037	U186	122	\$921	S2
184TTFR7908	M407 *	118	\$584	S2	184UTTS4077	P513	173	\$1,032	E9	213TTDW4038	E169	100, 116	\$921	S2
184TTFR8002	C204 *	49	\$574	E6	184UTTS4078	P417	171	\$1,077	E9	213TTDW4039	U184	102, 122	\$818	S2
184TTFR8617	C238 *	49	\$688	E6	184UTTS4079	P516	173	\$1,134	E9	213TTDW4041	E166	100, 116	\$638	S2
184TTFR8641	C224 *	49	\$539	E6	184UTTS4080	P613	174	\$1,032	E9	213TTDW4042	E165	116	\$638	S2
184TTFR8914	M216 *	124	\$624	S2	184UTTS4081	P615	174	\$1,134	E9	213TTDW4044	U182	122	\$818	S2
184TTFR8915	M416 *	118	\$624	S2	184UTTS8026	P316	171	\$664	E9	213TTDW4045	U405 *	36	\$838	E2
184TTFR9339	L909	39, 180	\$521	E6	184UTTS8076	P313	171	\$758	E9	213TTDW4047	E110	116	\$818	S2
184TTFR9341	M879	133	\$1,475	S5	184UTTS8078	P317 *	171	\$837	E9	213TTDW4048	E168	116	\$718	S2
184TTFS4001	U613 *	39, 44	\$582	E1	200LTFC4511	R345 *	54	\$3,460	F4	213TTDW4049	U183	122	\$818	S2
184TTFS4005	U615 *	39, 44, 91	\$582	E1	200LTFC4513	R348 *	54	\$4,538	F4	213TTDW4051	U185	122	\$921	S2
184TTFS4030	U620 *	39, 44, 91	\$520	E1	200LTFC4538	R346 *	54	\$3,725	F4	213TTDW4052	U187	102, 122	\$921	S2
184TTFS4076	E849 *	38, 44	\$495	E1	200LTFC4588	R341 *	54	\$3,440	F4	213TTDW4054	U430 *	31	\$862	E2
184TTFS4555	U868 *	47, 167	\$862	S3	200LTFC4589	R344	54	\$3,897	F4	213TTDW4070	U429	31	\$862	E2
184TTFS6001	E217 *	39, 61	\$917	E9	213TBFW7001	I224 *	25	\$1,145	S1	213TTDW4071	U926	31	\$862	E2
184TTFS6026	E202 *	39, 61	\$858	E9	213TBFW7010	Z434 *	113	\$1,145	S2	213TTDW4076	E731 *	30	\$695	E2
184TTFS6030	E304	39, 61, 91	\$858	E9	213TBFW7026	I216 *	25	\$908	S1	213TTDW4078	U907 *	30	\$695	E2
184TTFS6501	E602 *	65, 177	\$917	E9	213TBFW7027	Z117 *	185	\$1,070	S1	213TTDW4315	U432 *	36	\$866	E2
184TTFS6505	E655 *	65, 94	\$917	E9	213TCDW7001	I105 *	21, 181	\$974	S1	213TTDW7003	H618	31	\$679	E6
184TTFS6526	E617 *	65, 177	\$858	E9	213TCDW7002	Z410 *	113	\$1,029	S2	213TTDW7021	C106 *	35	\$812	E6
184TTFS6530	E670 *	65, 94	\$858	E9	213TCDW7003	Z429 *	120	\$1,029	S2	213TTDW7022	M323 *	116	\$699	S2
184TTFS6576	E388	65	\$1,002	E9	213TCDW7026	I117	21	\$874	S1	213TTDW7023	M324 *	116	\$801	S2
184TTFS6582	E389	65	\$1,002	E9	213TCDW7027	Z409 *	113	\$904	S2	213TTDW7024	M118 *	123	\$699	S2

## Model Number/Catalog Number

MODEL NO.	CAT. NO.	PAGE NO.	LIST PRICE	MULT. SYMB.	MODEL NO.	CAT. NO.	PAGE NO.	LIST PRICE	MULT. SYMB.	MODEL NO.	CAT. NO.	PAGE NO.	LIST PRICE	MULT. SYMB.
213TTDW7025	M166	123	\$801	S2	213TTFW7046	C225 *	49	\$666	E6	215THFS8029	Y596 *	197	\$1,994	E3
213TTDW7028	H616 *	31	\$537	E6	213TTFW7047	M410 *	118	\$807	S2	215THFS9001	W537 *	70, 175	\$1,746	E9
213TTDW7046	C125	35	\$667	E6	213TTFW7083	M877	133	\$1,643	S5	215THFS9026	W539 *	70, 175	\$1,709	E9
213TTDW7048	M322 *	116	\$758	S2	213TTFW7096	C253	48	\$684	E6	215THFS9076	W527 *	70, 175	\$1,860	E9
213TTDW7049	M117 *	122	\$654	S2	213TTFW7326	L910	39, 180	\$748	E6	215THFS9101	W522	69	\$2,269	E9
213TTDW7050	M165	122	\$758	S2	213TTGS1001	U944 *	87	\$1,141	E7	215THFW7726	Y996 *	193	\$1,582	E3
213TTDW7053	H955 *	170	\$792	E6	213TTGS1026	U945 *	87	\$1,083	E7	215THFW7736	Y997	107, 193	\$1,582	E3
213TTDW7059	M807	131	\$1,555	S5	213TTGS1076	U940 *	87	\$1,016	E7	215THTL7726	Y547 *	195	\$2,087	E3
213TTDW7078	H698	30	\$482	E6	213TTGS4001	U062 *	80	\$1,295	E7	215THTL7736	Y561 *	108, 195	\$2,087	E3
213TTDW7089	M802	131	\$1,262	S5	213TTGS4026	U006 *	80	\$1,229	E7	215THTL7776	Y544 *	195	\$1,924	E3
213TTDW7101	H184	30	\$763	E6	213TTGS4028	C366 *	84	\$1,358	E7	215THTS8038	Y566 *	197	\$2,280	E3
213TTDW7201	Y489 *	169	\$1,052	S3	213TTGS4030	U025 *	80, 98	\$1,229	E7	215THTS8071	Y991 *	199	\$4,440	E3
213TTDW7202	Y488 *	169	\$1,052	S3	213TTGS4036	C370	84, 99	\$1,358	E7	215TTDBA4026	E721 *	31	\$759	E2
213TTFC4026	U629 *	39, 44	\$746	E1	213TTGS4040	U991	80	\$1,479	E7	215TTDBA7022	M1327*	116	\$863	S2
213TTFC4076	U610 *	39, 44	\$654	E1	213TTGS4076	U042 *	80	\$1,171	E7	215TTDBA7047	M325 *	116	\$776	S2
213TTFS4001	U624 *	39, 44	\$762	E1	213TTGS7067	C325 *	84	\$1,282	E7	215TTDC6001	U766 *	57	\$1,170	E2
213TTFS4005	U671 *	39, 44, 91	\$762	E1	213TTGS7304	C305 *	84	\$1,313	E7	215TTDC6026	U765 *	57	\$902	E2
213TTFS4030	U631 *	39, 44, 91	\$746	E1	213TTTL7034	C407 *	112	\$2,411	E5	215TTDC6076	U269	57	\$964	E2
213TTFS4550	U869 *	47, 167	\$1,088	S3	213TTTS17077	S507	187	\$1,788	E9	215TTDW17206	Y490	169	\$1,329	S3
213TTFS6026	E203 *	39, 61	\$1,051	E9	213TTTS17078	S557	105, 187	\$1,788	E9	215TTDW4001	E707 *	31	\$1,132	E2
213TTFS6030	E305 *	39, 61, 91	\$1,051	E9	213TTTS6001	E218 *	39, 61	\$1,108	E9	215TTDW4003	E788	31	\$1,132	E2
213TTFS6076	E233 *	39, 61	\$1,122	E9	213TTTS6501	E603 *	65, 177	\$1,108	E9	215TTDW4007	E184	100, 116	\$1,183	S2
213TTFS6501	E396	65	\$1,219	E9	213TTTS6502	E475 *	65	\$1,108	E9	215TTDW4008	E180	116	\$1,080	S2
213TTFS6502	E397	65	\$1,219	E9	213TTTS6505	E656 *	65, 94	\$1,108	E9	215TTDW4009	E181	100, 116	\$1,080	S2
213TTFS6505	E398	65	\$1,219	E9	213TTWD14031	N408 *	77	\$2,445	F3	215TTDW4010	E182	116	\$1,183	S2
213TTFS6526	E618 *	65, 177	\$1,051	E9	213TWR4002	N617	75	\$1,459	F3	215TTDW4011	U200	123	\$1,080	S2
213TTFS6530	E671 *	65, 94	\$1,051	E9	213TWR4026	N618 *	75	\$1,345	F3	215TTDW4012	U202	102, 123	\$1,080	S2
213TTFS6531	E476 *	65	\$1,051	E9	213TWR4027	N318 *	74	\$1,236	F3	215TTDW4013	U203	123	\$1,183	S2
213TTFS6576	E634 *	65, 177	\$1,122	E9	213TWR7001	N659	74	\$1,349	F3	215TTDW4014	U205	102, 123	\$1,183	S2
213TTFS6594	E471 *	65	\$1,122	E9	213TWR7026	N660 *	74	\$1,235	F3	215TTDW4023	E183	116	\$1,183	S2
213TTFS7238	Y381 *	168	\$1,423	S3	213UTFS4001	P427	171	\$1,095	E9	215TTDW4025	U204	123	\$1,183	S2
213TTFS8103	L411 *	38, 44	\$1,070	E6	213UTFS4002	P523	173	\$1,161	E9	215TTDW4028	E907 *	31	\$759	E2
213TTFW16001	E2115*	61	\$1,108	E9	213UTFS4026	P424	171	\$1,037	E9	215TTDW4030	E759 *	31, 89	\$759	E2
213TTFW16026	E2116*	61	\$1,051	E9	213UTFS4027	P521	173	\$1,103	E9	215TTDW4032	E179	100, 116	\$1,072	S2
213TTFW16076	E2111*	61	\$1,122	E9	213UTFS4028	P618	174	\$1,103	E9	215TTDW4041	E175	116	\$970	S2
213TTFW4001	E972 *	39	\$725	E8	213UTFS4076	P421	171	\$1,192	E9	215TTDW4042	E176	100, 116	\$970	S2
213TTFW4003	U622	39	\$725	E8	213UTFS4078	P519	173	\$1,258	E9	215TTDW4043	E177	116	\$1,072	S2
213TTFW4005	U625	39, 91	\$725	E8	213UTFS4079	P617	174	\$1,258	E9	215TTDW4044	U194	123	\$970	S2
213TTFW4007	U740	52	\$896	E8	213UTFS8026	P324 *	171	\$805	E9	215TTDW4047	E112 *	116	\$970	S2
213TTFW4008	U742	52, 93	\$896	E8	213UTFS8076	P321	171	\$926	E9	215TTDW4048	E178 *	116	\$1,072	S2
213TTFW4009	U327	118	\$883	S2	215TBDR7361	Z125	136	\$1,709	S1	215TTDW4049	U195	123	\$970	S2
213TTFW4010	U331	101, 118	\$883	S2	215TBDW7013	Z315	183	\$1,409	S1	215TTDW4050	U198	123	\$1,072	S2
213TTFW4011	U328	124	\$883	S2	215TBDW7026	I115 *	21, 181	\$961	S1	215TTDW4051	U196	102, 123	\$970	S2
213TTFW4012	U332	101, 124	\$883	S2	215TBDW7027	Z413 *	113	\$1,514	S2	215TTDW4052	U199	102, 123	\$1,072	S2
213TTFW4020	U741	52	\$896	E8	215TBDW7028	I116 *	21, 181	\$1,237	S1	215TTDW4053	U197	123	\$1,072	S2
213TTFW4022	U329	118	\$883	S2	215TBDW7029	Z411 *	113	\$1,249	S2	215TTDW4076	E732 *	30	\$809	E2
213TTFW4024	U330	124	\$883	S2	215TBDW7030	Z432	120	\$1,514	S2	215TTDW4078	E935 *	30	\$809	E2
213TTFW4026	E955 *	39	\$711	E8	215TBDW7045	Z430	120	\$1,249	S2	215TTDW4080	E936	30, 89	\$809	E2
213TTFW4028	U627	39	\$711	E8	215TBDW7079	I144	20	\$1,143	S1	215TTDW4315	U435 *	36	\$1,262	E2
213TTFW4030	U630 *	39, 91	\$711	E8	215TBDW7362	Z126	136	\$1,804	S1	215TTDW4335	U433 *	36	\$997	E2
213TTFW4038	U335	101, 118	\$1,009	S2	215TBFW7001	I225 *	25	\$1,395	S1	215TTDW7003	H621 *	31	\$897	E6
213TTFW4045	U716 *	51	\$809	E8	215TBFW7010	Z435 *	113	\$1,395	S2	215TTDW7022	E113	116	\$1,080	S2
213TTFW4047	U334	118	\$1,009	S2	215TBFW7026	I215 *	25	\$1,118	S1	215TTDW7022	M327 *	116	\$863	S2
213TTFW4076	E980 *	39	\$624	E8	215TBFW7027	I217 *	25	\$1,434	S1	215TTDW7023	M328 *	116	\$967	S2
213TTFW4320	C389 *	52	\$980	E8	215TBFW7028	Z115 *	185	\$1,428	S1	215TTDW7024	M120 *	123	\$863	S2
213TTFW4340	C390 *	52	\$884	E8	215TBFW7029	Z122 *	184	\$1,347	S1	215TTDW7024	U201	123	\$1,080	S2
213TTFW4345	C391 *	52, 93	\$884	E8	215TBFW7044	Z116 *	185	\$1,778	S1	215TTDW7025	M168	123	\$967	S2
213TTFW4380	C384 *	51	\$884	E8	215TCDW17002	I106	21	\$1,249	S1	215TTDW7028	H619 *	31	\$679	E6
213TTFW6001	E2015*	60	\$1,054	E9	215TCDW7002	Z412 *	113	\$1,324	S2	215TTDW7044	M810	131	\$1,747	S5
213TTFW6026	E2016*	60	\$957	E9	215TCDW7003	Z308 *	183	\$1,409	S1	215TTDW7046	C126	35	\$809	E6
213TTFW6076	E2011*	60	\$979	E9	215TCDW7004	Z431 *	120	\$1,324	S2	215TTDW7048	M326 *	116	\$879	S2
213TTFW7007	C205 *	49	\$759	E6	215TCDW7012	Z314	183	\$1,224	S1	215TTDW7049	M119 *	123	\$776	S2
213TTFW7008	M881	133	\$2,088	S5	215THFS19006	W538	70, 96	\$1,746	E9	215TTDW7050	M167	123	\$879	S2
213TTFW7022	M409 *	118	\$705	S2	215THFS19033	W540*	70, 96	\$1,709	E9	215TTDW7053	H956 *	170	\$942	E6
213TTFW7028	H669 *	39	\$650	E8	215THFS19077	W528	70, 96	\$1,860	E9	215TTDW7078	H699	30	\$666	E6

# Index

## Model Number/Catalog Number

MODEL NO.	CAT. NO.	PAGE NO.	LIST PRICE	MULT. SYMB.	MODEL NO.	CAT. NO.	PAGE NO.	LIST PRICE	MULT. SYMB.	MODEL NO.	CAT. NO.	PAGE NO.	LIST PRICE	MULT. SYMB.
215TTDW7101	H185	30	\$953	E6	215TTFW7088	M880	133	\$2,314	S5	254TTDX4017	U213	123	\$1,363	S2
215TTDW7201	Y491	169	\$1,329	S3	215TTFW7096	C254	49	\$953	E6	254TTDX4018	U900	31	\$1,334	E2
215TTDW7203	Y415 *	169	\$1,286	S3	215TTFW7302	C206 *	49	\$908	E6	254TTDX4019	E192	100, 116	\$1,363	S2
215TTDW7204	Y455 *	169	\$1,286	S3	215TTFW7303	M411 *	119	\$863	S2	254TTDX4020	E194	116	\$1,512	S2
215TTDW7205	Y469 *	169	\$1,286	S3	215TTFW7317	M884	133	\$2,274	S5	254TTDX4024	E195	100, 116	\$1,512	S2
215TTDW7301	Y304 *	183	\$975	E6	215TTFW7326	L911	40, 180	\$929	E6	254TTDX4027	U413	34	\$1,137	E2
215TTDW7376	Y201	189	\$1,205	S7	215TTGS1001	U947 *	87	\$1,313	E7	254TTDX4028	E908 *	31	\$1,137	E2
215TTDW7377	Y202	189	\$1,392	S7	215TTGS1026	U948 *	87	\$1,286	E7	254TTDX4030	E760 *	31, 89	\$1,137	E2
215TTDW7380	M805	131	\$1,782	S5	215TTGS1076	U943 *	87	\$1,347	E7	254TTDX4039	E188	116	\$1,461	S2
215TTDW7612	M813	131	\$2,032	S5	215TTGS4001	U063 *	81	\$1,470	E7	254TTDX4041	U210	123	\$1,461	S2
215TTFC4026	U639 *	40, 45	\$904	E1	215TTGS4026	U007 *	81	\$1,433	E7	254TTDX4060	U209	123	\$1,461	S2
215TTFC4076	U621 *	39, 44	\$942	E1	215TTGS4028	C367 *	84	\$1,562	E7	254TTDX4074	U206	123	\$1,312	S2
215TTFS4001	U636 *	40, 45	\$889	E1	215TTGS4030	U026 *	81, 98	\$1,433	E7	254TTDX4075	U207	123	\$1,312	S2
215TTFS4005	U637	40, 45, 91	\$889	E1	215TTGS4039	U992	81	\$1,725	E7	254TTDX4076	E733 *	31	\$1,012	E2
215TTFS4030	U641 *	40, 45	\$904	E1	215TTGS4049	C371	84, 99	\$1,562	E7	254TTDX4315	U437	36	\$1,511	E2
215TTFS4546	U870 *	47, 167	\$1,246	S3	215TTGS4076	U043 *	80	\$1,501	E7	254TTDX4340	U208	102, 123	\$1,312	S2
215TTFS6001	E219 *	40, 61	\$1,293	E9	215TTGS7024	C306 *	84	\$1,470	E7	254TTDX4341	U211	102, 123	\$1,461	S2
215TTFS6026	E204 *	40, 61	\$1,266	E9	215TTGS7065	C326 *	84	\$1,468	E7	254TTDX4343	E185	116	\$1,312	S2
215TTFS6030	E306	40, 91	\$1,266	E9	215TTTL7050	C408 *	112	\$3,014	E5	254TTDX4344	E186	100, 116	\$1,312	S2
215TTFS6076	E234 *	39, 61	\$1,378	E9	215TTTS17077	S510 *	187	\$2,059	E9	254TTDX4345	E187	116	\$1,461	S2
215TTFS6501	E604 *	65, 177	\$1,293	E9	215TTTS17078	S560	105, 187	\$2,059	E9	254TTDX7003	H624 *	31	\$1,083	E6
215TTFS6505	E657 *	65, 94	\$1,293	E9	215TTTS18064	S558	105, 187	\$2,059	E9	254TTDX7007	M123 *	123	\$1,089	S2
215TTFS6526	E619 *	65, 177	\$1,266	E9	215TTWD14031	N409 *	77	\$2,518	F3	254TTDX7008	M330 *	116	\$1,089	S2
215TTFS6527	E479 *	65	\$1,266	E9	215TTWR4026	N619 *	75	\$1,529	F3	254TTDX7028	H622 *	31	\$891	E6
215TTFS6530	E672 *	65, 94	\$1,266	E9	215TTWR4027	N319 *	74	\$1,479	F3	254TTDX7042	M121 *	123	\$1,049	S2
215TTFS6576	E635 *	65, 177	\$1,378	E9	215TTWR7026	N661 *	74	\$1,402	F3	254TTDX7043	M122 *	123	\$1,197	S2
215TTFS6580	E683 *	65, 94	\$1,378	E9	215UTFS4001	P431 *	171	\$1,330	E9	254TTDX7044	M329 *	116	\$1,049	S2
215TTFS6807	E478 *	65	\$1,293	E9	215UTFS4002	P526	173	\$1,397	E9	254TTDX7046	M353 *	116	\$1,197	S2
215TTFS6881	E474 *	65	\$1,378	E9	215UTFS4026	P428	171	\$1,375	E9	254TTDX7088	M808	131	\$2,122	S5
215TTFS7290	Y382 *	168	\$1,845	S3	215UTFS4078	P524	173	\$1,441	E9	254TTDX7090	C155	35	\$1,072	E6
215TTFS8101	L421 *	39, 44	\$1,394	E6	215UTFS4028	P620	174	\$1,441	E9	254TTDX7101	H186 *	30	\$1,317	E6
215TTFW16001	E2118*	61	\$1,293	E9	215UTFS4076	P425	171	\$1,477	E9	254TTDX7201	Y470 *	170	\$1,595	S3
215TTFW16026	E2119*	61	\$1,266	E9	215UTFS4078	P522	173	\$1,544	E9	254TTDX7208	Y418 *	170	\$1,595	S3
215TTFW16076	E2114*	61	\$1,378	E9	215UTFS4079	P619	174	\$1,544	E9	254TTDX7278	Y456 *	170	\$1,595	S3
215TTFW4001	E969 *	40	\$847	E8	215UTFS8026	P328	171	\$1,067	E9	254TTDX7377	Y203	189	\$1,791	S7
215TTFW4003	U634	40	\$847	E8	215UTFS8076	P325	171	\$1,149	E9	254TTDX74065	U436 *	36	\$1,313	E2
215TTFW4005	E821 *	40, 91	\$847	E8	225MTFC4586	R347	54	\$5,855	F4	254TTDX7648	M814	131	\$2,088	S5
215TTFW4007	U670 *	40	\$1,175	E8	225STFC4526	R349 *	54	\$5,168	F4	254TTDX8338	H957 *	170	\$1,247	E6
215TTFW4013	U743	52	\$947	E8	250MTFC4586	R350	54	\$8,207	F4	254TTFC4026	U647 *	40, 45	\$1,226	E1
215TTFW4014	U336	119	\$1,080	S2	254THEN8058	Y982 *	198	\$6,853	E3	254TTFC4076	U633 *	39, 44	\$1,239	E1
215TTFW4015	U338	101, 119	\$1,080	S2	254THEN8059	Y983 *	198	\$7,180	E3	254TTFL14001	E977 *	40	\$1,175	E8
215TTFW4020	U744	52	\$947	E8	254THFNA8038	Y597 *	197	\$2,402	E3	254TTFL14004	U643	40	\$1,175	E8
215TTFW4022	U337	119	\$1,080	S2	254THFNA9001	W544*	70, 175	\$2,165	E9	254TTFL14005	U645	40, 91	\$1,175	E8
215TTFW4026	E956 *	40	\$861	E8	254THFNA9026	W546*	70, 175	\$2,033	E9	254TTFL14026	E996 *	40	\$1,167	E8
215TTFW4028	E822	40	\$861	E8	254THFNA9030	W547*	70, 96	\$2,033	E9	254TTFL14027	U646	40	\$1,167	E8
215TTFW4030	U640 *	40, 91	\$861	E8	254THFNA9076	W534*	70, 175	\$2,233	E9	254TTFL14030	E997	40, 91	\$1,167	E8
215TTFW4033	U718	52	\$895	E8	254THFNA9101	W529	70	\$2,958	E9	254TTFL14076	U632 *	39	\$1,180	E8
215TTFW4035	U339	119	\$1,207	S2	254THTL5726	Y549 *	195	\$2,484	E3	254TTFL17038	L912	40, 180	\$1,227	E6
215TTFW4036	U341	101, 119	\$1,207	S2	254THTL5736	Y562 *	108, 195	\$2,484	E3	254TTFL17039	H623 *	40	\$1,067	E6
215TTFW4047	U340	119	\$1,207	S2	254THTL5776	Y546 *	195	\$2,588	E3	254TTFL4004	U746	52	\$1,355	E8
215TTFW4076	E970 *	39	\$897	E8	254THINA8058	Y509 *	197	\$2,729	E3	254TTFL4006	U344	119	\$1,350	S2
215TTFW4320	C392 *	52	\$1,020	E8	254THINA8071	Y992 *	199	\$5,642	E3	254TTFL4007	U345	124	\$1,350	S2
215TTFW4340	C393 *	52	\$972	E8	254TTDB4026	E722 *	31	\$1,137	E2	254TTFL4009	U343	124	\$1,350	S2
215TTFW4345	C394 *	52, 93	\$972	E8	254TTDC6001	U768 *	58	\$1,472	E2	254TTFL4010	U346	101, 119	\$1,350	S2
215TTFW4380	C388 *	51	\$1,054	E8	254TTDC6026	U767 *	57	\$1,200	E2	254TTFL4011	U356	101, 124	\$1,350	S2
215TTFW6001	E2018*	60	\$1,122	E9	254TTDC6076	U254	57	\$1,206	E2	254TTFL4031	U348	119	\$1,637	S2
215TTFW6026	E2019*	60	\$1,089	E9	254TTDX4001	E708 *	31	\$1,334	E2	254TTFL4032	U722 *	52	\$1,343	E8
215TTFW6076	E2014*	60	\$1,261	E9	254TTDX4006	E191	116	\$1,363	S2	254TTFL4033	U721	52	\$1,343	E8
215TTFW7021	C237 *	49	\$1,154	E6	254TTDX4007	E190	116	\$1,363	S2	254TTFL4034	U347	119	\$1,637	S2
215TTFW7022	M417 *	119	\$1,028	S2	254TTDX4008	U214	102, 123	\$1,363	S2	254TTFL4035	U723	52, 93	\$1,343	E8
215TTFW7024	M217 *	124	\$1,028	S2	254TTDX4010	U215	123	\$1,512	S2	254TTFL4036	U349	101, 119	\$1,637	S2
215TTFW7028	H670 *	40	\$808	E6	254TTDX4012	U216	123	\$1,512	S2	254TTFL4081	U756	52	\$1,361	E8
215TTFW7044	M885	133	\$2,274	S5	254TTDX4014	U212	123	\$1,363	S2	254TTFL5003	M213 *	124	\$1,080	S2
215TTFW7046	C226 *	49	\$875	E6	254TTDX4015	E193	116	\$1,512	S2	254TTFL5004	M413 *	119	\$1,080	S2
215TTFW7047	M412 *	119	\$964	S2	254TTDX4016	U217	102, 123	\$1,512	S2	254TTFL5020	C207 *	49	\$1,255	E6

\*Stock Model

SB300 - Prices and Specifications are subject to change without notice.



## Model Number/Catalog Number

MODEL NO.	CAT. NO.	PAGE NO.	LIST PRICE	MULTI. SYMB.	MODEL NO.	CAT. NO.	PAGE NO.	LIST PRICE	MULTI. SYMB.	MODEL NO.	CAT. NO.	PAGE NO.	LIST PRICE	MULTI. SYMB.
254TFL5040	C227 *	49	\$1,243	E6	256TTDX4001	E709 *	31	\$1,628	E2	256TTFNA4030	U653 *	40, 45, 91	\$1,509	E1
254TFL5082	C255	49	\$1,288	E6	256TTDX4004	U225	123	\$1,603	S2	256TTFNA4532	U872 *	47, 167	\$1,891	S3
254TFL5751	M420 *	119	\$1,309	S2	256TTDX4006	U103	117	\$1,603	S2	256TTFNA6001	E221 *	40, 62	\$2,104	E9
254TTFNA4030	U648 *	40, 45, 91	\$1,226	E1	256TTDX4013	E786 *	31	\$1,628	E2	256TTFNA6026	E206 *	40, 62	\$1,986	E9
254TTFNA4549	U871 *	47, 167	\$1,608	S3	256TTDX4019	U104	100, 117	\$1,603	S2	256TTFNA6030	E308 *	40, 62, 91	\$1,986	E9
254TTFNA6001	E220 *	40, 62	\$1,698	E9	256TTDX4020	U501	129	\$1,628	E2	256TTFNA6076	E236 *	40, 61	\$2,139	E9
254TTFNA6026	E205 *	40, 62	\$1,594	E9	256TTDX4021	U102	117	\$1,603	S2	256TTFNA6501	E606 *	66	\$2,146	E9
254TTFNA6030	E307 *	40, 62, 91	\$1,594	E9	256TTDX4022	U224	123	\$1,603	S2	256TTFNA6503	E659 *	66, 94	\$2,146	E9
254TTFNA6076	E235 *	39, 61	\$1,751	E9	256TTDX4023	U226	102, 123	\$1,603	S2	256TTFNA6523	E484	66	\$2,146	E9
254TTFNA6501	E605 *	66, 177	\$1,732	E9	256TTDX4024	U500	129	\$1,628	E2	256TTFNA6526	E621 *	66, 176	\$2,026	E9
254TTFNA6503	E658 *	66, 94	\$1,732	E9	256TTDX4027	E909 *	31	\$1,388	E2	256TTFNA6528	E674 *	66, 94	\$2,026	E9
254TTFNA6515	E481 *	66	\$1,732	E9	256TTDX4032	E761 *	31, 89	\$1,388	E2	256TTFNA6529	E485 *	66	\$2,026	E9
254TTFNA6526	E620 *	66, 177	\$1,626	E9	256TTDX4041	U100	117	\$1,730	S2	256TTFNA6576	E637 *	65, 177	\$2,182	E9
254TTFNA6528	E673 *	66, 94	\$1,626	E9	256TTDX4047	U101	100, 117	\$1,730	S2	256TTFNA6578	E685 *	65, 94	\$2,182	E9
254TTFNA6529	E482 *	66	\$1,626	E9	256TTDX4059	U223	102, 123	\$1,730	S2	256TTFNA6596	E480 *	65	\$2,182	E9
254TTFNA6576	E636 *	65, 177	\$1,786	E9	256TTDX4063	U219	123	\$1,583	S2	256TTFNA7013	M892	133	\$2,868	S5
254TTFNA6578	E684 *	65, 94	\$1,786	E9	256TTDX4064	U218	123	\$1,583	S2	256TTFNA7028	M893	133	\$3,097	S5
254TTFNA6590	E477 *	65	\$1,786	E9	256TTDX4065	U221	123	\$1,730	S2	256TTFNA7090	M886	133	\$3,117	S5
254TTFNA7012	M888	133	\$2,621	S5	256TTDX4075	E197	117	\$1,583	S2	256TTFNA7250	Y384 *	168	\$2,777	S3
254TTFNA7078	M883	133	\$2,761	S5	256TTDX4076	E734 *	31	\$1,180	E2	256TTFPA7694	C256	49	\$1,592	E6
254TTFNA7210	Y383 *	168	\$2,223	S3	256TTDX4315	U439 *	36	\$1,804	E2	256TTFPA8102	L413 *	39, 44	\$2,449	E6
254TTFPA4001	U644 *	40, 45	\$1,234	E1	256TTDX4326	E198	100, 117	\$1,583	S2	256TTGN1001	U953	87	\$2,254	E7
254TTFPA4005	U638	40, 45, 91	\$1,234	E1	256TTDX4328	U220	102, 123	\$1,583	S2	256TTGN1026	U954 *	87	\$2,049	E7
254TTFPA8102	L412 *	39, 44	\$1,924	E6	256TTDX4329	E199	117	\$1,730	S2	256TTGN1076	U949	87	\$2,204	E7
254TTGN1026	U951 *	87	\$1,687	E7	256TTDX4345	U438 *	36	\$1,564	E2	256TTGN4001	U065 *	81	\$2,412	E7
254TTGN1076	U946	87	\$1,800	E7	256TTDX7009	M125 *	123	\$1,282	S2	256TTGN4026	U009 *	81	\$2,197	E7
254TTGN4026	U008 *	81	\$1,836	E7	256TTDX7011	M332	117	\$1,282	S2	256TTGN4030	U028 *	81, 98	\$2,197	E7
254TTGN4030	U027 *	81, 98	\$1,836	E7	256TTDX7020	M821	131	\$2,349	S5	256TTGN4076	U045 *	81	\$2,362	E7
254TTGN4076	U044 *	80	\$1,958	E7	256TTDX7024	H627 *	31	\$1,321	E6	256TTGN6531	E506 *	85	\$2,417	E7
254TTGN6507	E502	85	\$2,054	E7	256TTDX7054	M124 *	123	\$1,266	S2	256TTGN6576	E501	85	\$2,534	E7
254TTGN6531	E503 *	85	\$2,042	E7	256TTDX7074	M331 *	117	\$1,266	S2	256TTGP7012	C308	84	\$2,308	E7
254TTGN6576	E500	85	\$2,101	E7	256TTDX7101	H187 *	30	\$1,674	E6	256TTGP7060	C328 *	84	\$2,366	E7
254TTGP1001	U950 *	87	\$1,758	E7	256TTDX7207	Y492	169	\$1,745	S3	256TTNA18531	S521	188	\$2,382	E9
254TTGP4001	U064 *	81	\$1,914	E7	256TTDX7253	Y471 *	170	\$1,978	S3	256TTNA18577	S566	105, 187	\$2,895	E9
254TTGP7021	C307	84	\$1,922	E7	256TTDX7263	Y457	170	\$1,978	S3	256TTNA18578	S516 *	187	\$2,895	E9
254TTGP7061	C327 *	84	\$1,892	E7	256TTDX7264	Y458 *	170	\$1,978	S3	256TTNA18601	S564	105, 187	\$2,828	E9
254TTTNA17077	S513 *	187	\$3,025	E9	256TTDX7358	H625 *	31	\$1,109	E6	256UTFNA4001	P439	171	\$2,029	E9
254TTTNA18530	S518	188	\$2,762	E9	256TTDX7378	M811	131	\$2,396	S5	256UTFNA4076	P433	171	\$2,628	E9
254UTFNA4076	P429	171	\$2,055	E9	256TTDX7391	Y204 *	189	\$2,209	S7	256UTFNA4078	P528	173	\$2,714	E9
254UTFNA4078	P525	173	\$2,141	E9	256TTDX7396	C156	35	\$1,216	E6	256UTFNA4079	P623	174	\$2,714	E9
254UTFNA4079	P621	174	\$2,141	E9	256TTDX8522	Y621	129	\$1,321	E2	256UTFNA8076	P333	171	\$2,100	E9
254UTFNA8076	P329 *	171	\$1,642	E9	256TTDX8938	M818	131	\$2,382	S5	256UTFPA4026	P436	171	\$2,194	E9
254UTFPA4001	P435 *	171	\$1,592	E9	256TTFCA026	U652 *	40, 45	\$1,509	E1	256UTFPA4027	P530	173	\$2,281	E9
254UTFPA4026	P432	171	\$1,806	E9	256TTFCA076	U642 *	40, 45	\$1,579	E1	256UTFPA4028	P624	174	\$2,281	E9
254UTFPA4027	P527	173	\$1,893	E9	256TFL14001	E974 *	40	\$1,543	E8	256UTFPA8026	P336	171	\$1,755	E9
254UTFPA4028	P622	174	\$1,893	E9	256TFL14026	E965 *	40	\$1,437	E8	284THEN8032	Y985	198	\$8,285	E3
254UTFPA8026	P332	171	\$1,443	E9	256TFL14027	U651	40	\$1,437	E8	284THFNA19033	W561 *	70, 97	\$3,015	E9
256TBDX7028	Z127	136	\$2,236	S1	256TFL14030	E998 *	40, 91	\$1,437	E8	284THFNA19102	W543	70	\$4,459	E9
256THEN17031	Y984 *	198	\$7,506	E3	256TFL14076	E973 *	39	\$1,505	E8	284THFNA9026	W560 *	70, 175	\$3,015	E9
256THFNA19081	W542	70, 96	\$2,727	E9	256TFL15027	H274	40	\$1,349	E6	284THFNA9076	W548 *	70, 175	\$3,620	E9
256THFNA8038	Y598 *	197	\$2,658	E3	256TFL17036	L913	40, 180	\$1,551	E6	284THFPA8028	Y569 *	197	\$3,319	E3
256THFNA9001	W551 *	70, 175	\$2,683	E9	256TFL4004	U748	52	\$1,724	E8	284THFPA8038	Y511 *	197	\$4,639	E3
256THFNA9026	W553 *	70, 175	\$2,533	E9	256TFL4006	U351	119	\$1,817	S2	284THFPA8086	Y395	197	\$5,354	E3
256THFNA9033	W554 *	70, 96	\$2,533	E9	256TFL4010	U350	119	\$1,817	S2	284HTNA7026	Y553 *	195	\$3,944	E3
256THFNA9076	W541 *	70, 175	\$2,727	E9	256TFL4012	U352	101, 119	\$1,817	S2	284HTNA7036	Y567 *	108, 195	\$3,944	E3
256THFNA9101	W536	70	\$3,668	E9	256TFL4031	U354	119	\$1,987	S2	284TSHFNA9001	W558 *	70, 175	\$3,305	E9
256THL5776	Y548 *	195	\$2,930	E3	256TFL4032	U724 *	52	\$1,613	E8	284TSHFNA9005	W559	70, 97	\$3,305	E9
256THTNA7026	Y552 *	195	\$3,626	E3	256TFL4036	U353	119	\$1,987	S2	284TSTDC6001	U772	58	\$2,119	E2
256THTNA7036	Y563 *	108, 195	\$3,626	E3	256TFL4038	U355	101, 119	\$1,987	S2	284TSTDP4001	E710 *	32	\$1,943	E2
256THTNA8038	Y510 *	197	\$3,777	E3	256TFL4079	U757	52	\$1,684	E8	284TSTDP4002	U504	129	\$1,942	E2
256THTNA8071	Y993 *	199	\$7,478	E3	256TFL5023	M414 *	119	\$1,454	S2	284TSTDP4004	U901	32	\$1,942	E2
256TTDB4026	E723 *	31	\$1,388	E2	256TFL5055	M421 *	119	\$1,589	S2	284TSTDP4036	E793	32	\$1,612	E2
256TTDC6001	U770 *	58	\$1,824	E2	256TTFNA14004	U815 *	52	\$1,808	E8	284TSTDP4062	U440	36	\$1,892	E2
256TTDC6026	U769 *	58	\$1,465	E2	256TTFNA4001	U649 *	40, 45	\$1,620	E1	284TSTDP4306	U441 *	36	\$2,224	E2
256TTDC6076	U255	57	\$1,503	E2	256TTFNA4005	U650	40, 45, 91	\$1,620	E1	284TSTDP7025	H631 *	32	\$1,500	E6



# Index

## Model Number/Catalog Number

MODEL NO.	CAT. NO.	PAGE NO.	LIST PRICE	MULT. SYMB.	MODEL NO.	CAT. NO.	PAGE NO.	LIST PRICE	MULT. SYMB.	MODEL NO.	CAT. NO.	PAGE NO.	LIST PRICE	MULT. SYMB.
284TSTDP8618	Y625	129	\$1,500	E2	284TTFFPA7081	M890	133	\$3,634	S5	286TTDP4048	U233	124	\$2,211	S2
284TSTDP8621	Y624	129	\$1,500	E2	284TTFFPA8102	L414 *	40, 45	\$2,902	E6	286TTDP4049	U235	102, 124	\$2,211	S2
284TSTFNA6001	E222 *	41, 62	\$2,592	E9	284TTGN1076	U952	87	\$3,032	E7	286TTDP4067	U111	117	\$2,211	S2
284TSTFNA6501	E607 *	66, 177	\$2,644	E9	284TTGN4076	U046 *	81	\$3,280	E7	286TTDP4074	U234	124	\$2,211	S2
284TSTFNA6502	E660 *	66, 94	\$2,644	E9	284TTGN6533	E547 *	85	\$3,075	E7	286TTDP4076	E736 *	31	\$2,082	E2
284TSTFFPA14003	U749 *	52	\$2,242	E8	284TTGN6576	E504	85	\$3,520	E7	286TTDP7018	M129 *	124	\$1,957	S2
284TSTFFPA4001	E975 *	41, 45	\$1,957	E1	284TTGP1026	U957 *	87	\$2,561	E7	286TTDP7054	M128 *	124	\$1,729	S2
284TSTFFPA4005	U654	41, 45, 91	\$1,957	E1	284TTGP4026	U010 *	81	\$2,795	E7	286TTDP7101	H189	31	\$2,611	E6
284TSTFFPA4036	E999 *	41, 45	\$1,778	E1	284TTGP4030	U029	81, 98	\$2,795	E7	286TTDP7217	Y460 *	170	\$3,296	S3
284TSTGN6503	E546	85	\$3,341	E7	284TTTNA16577	S519	188	\$3,467	E9	286TTDP7251	Y473 *	170	\$3,296	S3
284TSTGP1001	U956	87	\$2,866	E7	284TTTNA17101	S567 *	105, 187	\$3,001	E9	286TTDP7317	M335 *	117	\$1,957	S2
284TSTGP4001	U066 *	81	\$3,113	E7	284TTTNA18577	S569	105, 188	\$3,467	E9	286TTDP7641	H632 *	32	\$1,526	E6
284TSTGP4036	U076	81	\$2,795	E7	284TTTNA18601	S517 *	187	\$3,001	E9	286TTDP7689	Y216 *	189	\$3,251	S7
284TTDC4026	E724 *	31	\$1,612	E2	284UTFFPA4026	P440	171	\$3,013	E9	286TTDP8371	Y627	129	\$1,526	E2
284TTDC6026	U771 *	58	\$1,824	E2	284UTFFPA4027	P533	173	\$3,165	E9	286TTDP8626	M351 *	117	\$1,768	S2
284TTDC6076	U256	57	\$1,979	E2	284UTFFPA4028	P626	174	\$3,165	E9	286TTDR17009	M829	131	\$3,361	S5
284TTDP4011	U230	124	\$1,954	S2	284UTFFPA4076	P437	171	\$3,219	E9	286TTDR7395	M819	131	\$3,397	S5
284TTDP4012	U232	102, 124	\$1,954	S2	284UTFFPA4078	P531	173	\$3,370	E9	286TTDR8648	M826	131	\$2,986	S5
284TTDP4022	U231	124	\$1,954	S2	284UTFFPA4079	P625	174	\$3,370	E9	286TTFC4026	E983 *	41, 45	\$2,159	E1
284TTDP4023	U110	100, 117	\$1,954	S2	284UTFFPA8026	P340	171	\$2,411	E9	286TTFC4076	E968 *	40, 45	\$2,547	E1
284TTDP4025	U108	117	\$1,954	S2	284UTFFPA8076	P337 *	171	\$2,572	E9	286TTFNA6026	E208 *	41, 62	\$2,750	E9
284TTDP4027	U502	129	\$1,612	E2	286THFNA19033	W568 *	70, 97	\$3,507	E9	286TTFNA6030	E310 *	41, 62, 91	\$2,750	E9
284TTDP4029	E910 *	31	\$1,612	E2	286THFNA19077	W556	70, 96	\$4,410	E9	286TTFNA6076	E238 *	40, 62	\$3,459	E9
284TTDP4035	E762 *	32, 89	\$1,612	E2	286THFNA19101	W550	70	\$5,594	E9	286TTFNA6526	E623 *	66, 177	\$2,805	E9
284TTDP4037	U107	100, 117	\$1,914	S2	286THFNA8028	Y570 *	197	\$3,794	E3	286TTFNA6527	E676 *	66, 94	\$2,805	E9
284TTDP4043	U105	117	\$1,914	S2	286THFNA9026	W567 *	70, 175	\$3,507	E9	286TTFNA6570	E491 *	66	\$2,805	E9
284TTDP4044	U227	124	\$1,914	S2	286THFNA9076	W555	70, 175	\$4,410	E9	286TTFNA6576	E639 *	66, 177	\$3,528	E9
284TTDP4045	U229	124	\$1,914	S2	286THFPA8038	Y512 *	197	\$5,114	E3	286TTFNA6580	E695 *	66, 94	\$3,528	E9
284TTDP4047	U503	129	\$1,612	E2	286THFPA8086	Y582 *	197	\$6,921	E3	286TTFNA6876	E486 *	66	\$3,528	E9
284TTDP4058	U228	124	\$1,914	S2	286THHTNA7026	Y393 *	195	\$4,447	E3	286TTFNA7260	Y386 *	168	\$4,044	S3
284TTDP4069	U106	117	\$1,914	S2	286THHTNA7036	Y394 *	108, 195	\$4,447	E3	286TTFFPA17044	M901	133	\$3,883	S5
284TTDP4076	E735 *	31	\$1,697	E2	286TSHFNA9001	W565 *	70, 175	\$3,860	E9	286TTFFPA17079	M894	133	\$4,417	S5
284TTDP7072	M126 *	124	\$1,532	S2	286TSTDC6001	U774 *	58	\$2,791	E2	286TTFFPA4028	U726 *	52	\$2,308	E8
284TTDP7101	H188	31	\$1,986	E6	286TSTDP4001	E711 *	32	\$2,486	E2	286TTFFPA4030	E817 *	41, 45, 91	\$2,159	E1
284TTDP7202	Y493	169	\$2,172	S3	286TSTDP4017	U902	32	\$2,486	E2	286TTFFPA4544	U874 *	47, 167	\$2,622	S3
284TTDP7205	Y472	170	\$2,646	S3	286TSTDP4022	U508	129	\$2,486	E2	286TTFFPA7919	M900	133	\$3,343	S5
284TTDP7221	Y459 *	170	\$2,646	S3	286TSTDP4023	U509	129	\$2,486	E2	286TTFFPA8102	L415 *	40, 45	\$3,813	E6
284TTDP7302	M127 *	124	\$1,562	S2	286TSTDP4038	E794	32	\$1,875	E2	286TTGN1076	U955	87	\$3,576	E7
284TTDP7338	M333 *	117	\$1,532	S2	286TSTDP4310	U443 *	36	\$2,766	E2	286TTGN4076	U047 *	81	\$3,825	E7
284TTDP7605	M334 *	117	\$1,562	S2	286TSTDP4328	U442	36	\$2,155	E2	286TTGN6537	E564 *	85	\$3,565	E7
284TTDP7644	H628 *	31	\$1,307	E6	286TSTDP7025	H635	32	\$2,042	E6	286TTGP1026	U960 *	88	\$3,007	E7
284TTDP7692	Y215 *	189	\$2,672	S7	286TSTDP8608	Y629	129	\$2,042	E2	286TTGP4026	U011 *	81	\$3,241	E7
284TTDP8629	Y623	129	\$1,307	E2	286TSTFNA6001	E223 *	41, 62	\$3,027	E9	286TTGP4030	U030	81, 98	\$3,241	E7
284TTDR8097	M815	131	\$2,793	S5	286TSTFNA6501	E608 *	66, 177	\$3,087	E9	286TTTNA18577	S522	188	\$3,797	E9
284TTDR9013	M825	131	\$2,571	S5	286TSTFNA6804	E490 *	66	\$3,087	E9	286UTFNA4002	P535	173	\$2,910	E9
284TTDR9030	M822	131	\$2,655	S5	286TSTFFPA4001	E964 *	41, 45	\$2,157	E1	286UTFFPA4001	P444	172	\$2,761	E9
284TTFC4026	E961 *	41, 45	\$1,778	E1	286TSTFFPA4005	E819	41, 45, 91	\$2,157	E1	286UTFFPA4026	P445	172	\$3,700	E9
284TTFC4076	E978 *	40, 45	\$2,132	E1	286TSTFFPA4036	E818 *	41, 45	\$2,159	E1	286UTFFPA4027	P536	173	\$3,853	E9
284TTFNA16585	W549	70, 96	\$3,620	E9	286TSTGN6501	E563	85	\$3,601	E7	286UTFFPA4028	P627	174	\$3,853	E9
284TTFNA6026	E207 *	41, 62	\$2,365	E9	286TSTGP1001	U959	88	\$3,108	E7	286UTFFPA8026	P344	172	\$2,959	E9
284TTFNA6030	E309 *	41, 62, 91	\$2,365	E9	286TSTGP4001	U067 *	81	\$3,355	E7	324THFPA8028	Y571 *	197	\$4,913	E3
284TTFNA6076	E237 *	40, 62	\$2,839	E9	286TSTGP4036	U077	81	\$3,241	E7	324THFPA8038	Y513 *	197	\$6,126	E3
284TTFNA6526	E622 *	66, 177	\$2,413	E9	286TSTPA14002	U750 *	52	\$2,442	E8	324THFPA8086	Y583 *	197	\$8,141	E3
284TTFNA6527	E675 *	66, 94	\$2,413	E9	286TTDC4026	E725 *	32	\$1,875	E2	324THFS19033	W574 *	70, 97	\$4,657	E9
284TTFNA6576	E638 *	66, 177	\$2,896	E9	286TTDC6026	U773 *	58	\$1,979	E2	324THFS9026	W573 *	70, 175	\$4,657	E9
284TTFNA6580	E694 *	66, 94	\$2,896	E9	286TTDC6076	U257	58	\$2,411	E2	324THFS9076	W562	70, 175	\$5,346	E9
284TTFNA6837	E488 *	66	\$2,413	E9	286TTDP4015	U114	117	\$2,446	S2	324THFS9080	W563	70, 97	\$5,346	E9
284TTFNA6876	E483 *	66	\$2,896	E9	286TTDP4020	U236	124	\$2,446	S2	324TSHFS9001	W571 *	70, 175	\$5,090	E9
284TTFNA7240	Y385 *	168	\$3,465	S3	286TTDP4021	U115	100, 117	\$2,446	S2	324TSTDC6001	U776 *	58	\$3,403	E2
284TTFNA7508	M896	133	\$3,030	S5	286TTDP4024	U237	102, 124	\$2,446	S2	324TSTDP4001	E712 *	32	\$2,954	E2
284TTFFPA18035	M897	133	\$3,451	S5	286TTDP4027	E911 *	32	\$1,875	E2	324TSTDP4006	U909	32	\$2,954	E2
284TTFFPA4027	U725 *	52	\$2,058	E8	286TTDP4034	E763 *	32, 89	\$1,875	E2	324TSTDP4007	U513	129	\$2,954	E2
284TTFFPA4028	U655	41, 45	\$1,778	E1	286TTDP4037	U112	117	\$2,211	S2	324TSTDP4010	U512 *	129	\$2,954	E2
284TTFFPA4030	E800 *	41, 45, 91	\$1,778	E1	286TTDP4041	U506 *	129	\$1,875	E2	324TSTDP4016	U445 *	36	\$3,357	E2
284TTFFPA4545	U873 *	47, 167	\$2,241	S3	286TTDP4047	U113	100, 117	\$2,211	S2	324TSTDP4032	E789 *	32	\$2,332	E2

## Model Number/Catalog Number

MODEL NO.	CAT. NO.	PAGE NO.	LIST PRICE	MULT. SYMB.	MODEL NO.	CAT. NO.	PAGE NO.	LIST PRICE	MULT. SYMB.	MODEL NO.	CAT. NO.	PAGE NO.	LIST PRICE	MULT. SYMB.
324TSTDP4070	U444	36	\$2,734	E2	324USTFPA4001	P450	172	\$3,541	E9	326TTFPA4550	U876 *	47, 167	\$4,201	S3
324TSTDP7017	H639	32	\$2,517	E6	324UTFS4002	P538	173	\$3,795	E9	326TTFPA7406	M899	133	\$6,165	S5
324TSTDP8607	Y633 *	129	\$2,517	E2	324UTFS4026	P451	172	\$4,632	E9	326TTFPA8107	L417 *	41, 45	\$5,442	E6
324TSTFPA14003	U830 *	52	\$3,232	E8	324UTFS4027	P539	173	\$4,884	E9	326TTFS4080	E966 *	41, 45	\$3,772	E1
324TSTFPA4001	E971 *	41, 45	\$2,829	E1	324UTFS4028	P628	174	\$4,884	E9	326TTFS6026	E210 *	41, 62	\$4,486	E9
324TSTFPA4036	E816 *	41, 45	\$2,792	E1	324UTFS4076	P441 *	171	\$4,334	E9	326TTFS6030	E312	41, 62, 91	\$4,486	E9
324TSTFS6001	E224 *	41, 62	\$3,992	E9	324UTFS4078	P534	173	\$4,587	E9	326TTFS6076	E240 *	41, 62	\$4,829	E9
324TSTFS6005	E319	41, 91	\$3,992	E9	324UTFS8026	P348	172	\$3,702	E9	326TTFS6526	E625 *	66, 178	\$4,576	E9
324TSTFS6501	E609 *	66, 178	\$4,072	E9	324UTFS8076	P341	171	\$3,462	E9	326TTFS6527	E678 *	66, 95	\$4,576	E9
324TSTFS6505	E662 *	66, 95	\$4,072	E9	326THFPA8038	Y514 *	197	\$7,023	E3	326TTFS6532	E570 *	85	\$5,778	E7
324TSTGP1001	U962	88	\$4,157	E7	326THFPA8086	Y584 *	197	\$8,956	E3	326TTFS6576	E641 *	66, 177	\$4,926	E9
324TSTGP4001	U068 *	81	\$4,517	E7	326THFS19033	W581 *	71, 97	\$5,720	E9	326TTFS6580	E400	66, 94	\$4,926	E9
324TSTGP4036	U078	81	\$4,315	E7	326THFS19078	W643	70	\$6,157	E9	326TTFS7397	M902	133	\$5,901	S5
324TSTGS6501	E566	85	\$4,847	E7	326THFS8028	Y572 *	197	\$6,078	E3	326TTFS9210	Y388 *	168	\$6,167	S3
324TTDC4026	E726 *	32	\$2,332	E2	326THFS9026	W580 *	71, 176	\$5,720	E9	326TTGP1026	U966 *	88	\$4,911	E7
324TTDC6026	U775 *	58	\$2,609	E2	326THFS9076	W569 *	70, 175	\$6,157	E9	326TTGP4026	U013 *	81	\$5,253	E7
324TTDC6076	U798	58	\$2,872	E2	326TSHFS9001	W577 *	71, 176	\$6,584	E9	326TTGP4030	U032	81, 98	\$5,253	E7
324TTDP4002	U240	124	\$3,129	S2	326TSHFS9005	W578	71, 97	\$6,584	E9	326TTGS1076	U961	88	\$5,295	E7
324TTDP4004	U118	117	\$3,129	S2	326TSHFS9036	W579	71	\$5,720	E9	326TTGS4076	U049 *	81	\$5,655	E7
324TTDP4011	U241	102, 124	\$3,129	S2	326TSTDC6001	U778	58	\$4,071	E2	326TTGS6578	E565	85	\$6,068	E7
324TTDP4018	U119	100, 117	\$3,129	S2	326TSTDP4001	E713 *	32	\$3,359	E2	326TTTPA7397	M903	133	\$7,413	S5
324TTDP4028	E764 *	32, 89	\$2,332	E2	326TSTDP4003	U910	32	\$3,359	E2	326TTTS18577	S528	188	\$5,051	E9
324TTDP4030	E787	32	\$2,332	E2	326TSTDP4022	U517	129	\$3,359	E2	326USTFPA4001	P457	172	\$4,271	E9
324TTDP4033	U239	102, 124	\$2,889	S2	326TSTDP4024	U516 *	129	\$3,359	E2	326UTFS4026	P458	172	\$5,412	E9
324TTDP4038	U510 *	129	\$2,332	E2	326TSTDP4036	E791 *	32	\$2,718	E2	326UTFS4028	P629	174	\$5,664	E9
324TTDP4076	E737 *	32	\$2,470	E2	326TSTDP4055	U446	36	\$3,121	E2	326UTFS4076	P446	172	\$5,295	E9
324TTDP4345	U116	117	\$2,889	S2	326TSTDP4310	U447 *	36	\$3,762	E2	326UTFS4078	P537	173	\$5,549	E9
324TTDP4348	U238	124	\$2,889	S2	326TSTDP8219	Y637 *	129	\$3,016	E2	326UTFS8026	P352	172	\$4,327	E9
324TTDP4349	U117	100, 117	\$2,888	S2	326TSTDP8929	Y663	129	\$2,657	E2	326UTFS8076	P345 *	172	\$4,232	E9
324TTDP7073	M130 *	124	\$2,311	S2	326TSTFPA14003	U834 *	52	\$4,325	E8	364THFS19033	W588 *	71, 97	\$7,549	E9
324TTDP7320	M358 *	117	\$2,668	S2	326TSTFPA4001	E976 *	41, 45	\$3,922	E1	364THFS19077	W639	70	\$7,677	E9
324TTDP7649	H636 *	32	\$1,903	E6	326TSTFPA4036	E801 *	41, 45	\$3,595	E1	364THFS8036	Y573 *	197	\$7,834	E3
324TTDP7687	Y217 *	189	\$3,991	S7	326TSTFS6001	E225 *	41, 62	\$5,164	E9	364THFS8046	Y515 *	197	\$8,598	E3
324TTDP8610	M133 *	124	\$2,504	S2	326TSTFS6005	E320	41, 91	\$5,164	E9	364THFS8391	Y585 *	197	\$10,804	E3
324TTDP8630	Y631	129	\$1,903	E2	326TSTFS6501	E610 *	66, 178	\$5,268	E9	364THFS9036	W587 *	71, 176	\$7,549	E9
324TTDP8631	M352 *	117	\$2,311	S2	326TSTFS6502	E663 *	66, 95	\$5,268	E9	364THFS9086	W575	70, 175	\$7,677	E9
324TTDR17003	M833	131	\$3,876	S5	326TSTFS6536	E453 *	66, 178	\$4,576	E9	364TSHFS9001	W584 *	71, 176	\$7,969	E9
324TTDR7408	M820	131	\$3,822	S5	326TSTGP1001	U965	88	\$5,478	E7	364TSHFS9026	W586	71, 176	\$7,549	E9
324TTDR8390	M823	131	\$3,691	S5	326TSTGP4001	U069 *	81	\$5,837	E7	364TSTDC4026	E768 *	32	\$3,332	E2
324TTDR8940	M830	131	\$3,303	S5	326TSTGP4036	U079	81	\$5,253	E7	364TSTDC6001	U782 *	58	\$5,379	E2
324TTFC4026	E984 *	41, 45	\$2,792	E1	326TSTGS6501	E569	85	\$6,146	E7	364TSTDCA6001	U1782 *	58	\$5,379	E2
324TTFPA17078	M898	133	\$5,168	S5	326TTDC4026	E727 *	32	\$2,718	E2	364TSTDS4001	E714 *	32	\$4,478	E2
324TTFPA4028	U727 *	52	\$3,195	E8	326TTDC6026	U777 *	58	\$3,152	E2	364TSTDS4024	U523	129	\$4,604	E2
324TTFPA4030	E815 *	41, 45, 91	\$2,792	E1	326TTDC6076	U799	58	\$2,995	E2	364TSTDS4025	U522 *	130	\$4,604	E2
324TTFPA4076	E820 *	41, 45	\$3,089	E1	326TTDP4032	U243	102, 124	\$3,337	S2	364TSTDS4313	U449 *	36	\$5,061	E2
324TTFPA4540	U875 *	47, 167	\$3,399	S3	326TTDP4046	E790	32	\$2,718	E2	364TSTDS4332	U518 *	129	\$3,425	E2
324TTFPA7017	M904	133	\$4,413	S5	326TTDP4048	E765 *	32, 89	\$2,718	E2	364TSTDS4337	U519	129	\$3,425	E2
324TTFPA7668	M905	133	\$4,626	S5	326TTDP4076	E738 *	32	\$2,825	E2	364TSTDS4355	U448	36	\$3,915	E2
324TTFPA8104	L416 *	40, 45	\$4,595	E6	326TTDP4326	U121	100, 117	\$3,337	S2	364TSTDS8328	Y639	129	\$2,875	E2
324TTFS6026	E209 *	41, 62	\$3,653	E9	326TTDP4329	U120	117	\$3,337	S2	364TSTDS8503	Y643	129	\$4,021	E2
324TTFS6030	E311 *	41, 62, 91	\$3,653	E9	326TTDP4340	U242	124	\$3,337	S2	364TSTFS14003	U838 *	52	\$6,196	E8
324TTFS6076	E239 *	41, 62	\$4,193	E9	326TTDP4344	U515 *	129	\$2,718	E2	364TSTFS4001	E960 *	41, 45	\$5,613	E1
324TTFS6526	E624 *	66, 178	\$3,726	E9	326TTDP4345	U514	129	\$2,718	E2	364TSTFS4026	E802 *	41, 45	\$5,275	E1
324TTFS6527	E677 *	66, 95	\$3,726	E9	326TTDP7101	H191	32	\$3,724	E6	364TSTFS6001	E226 *	41, 62	\$6,794	E9
324TTFS6576	E640 *	66, 177	\$4,276	E9	326TTDP7330	M131 *	124	\$2,668	S2	364TSTFS6005	E321	41, 91	\$6,794	E9
324TTFS6577	E696	66, 94	\$4,276	E9	326TTDP7626	H640 *	32	\$2,221	E6	364TSTFS6501	E611 *	66, 178	\$6,929	E9
324TTFS7290	Y387 *	168	\$4,935	S3	326TTDP7697	Y218 *	189	\$4,770	S7	364TSTFS6505	E664 *	66, 95	\$6,929	E9
324TTGP1026	U963 *	88	\$3,971	E7	326TTDP8268	Y635	129	\$2,221	E2	364TSTFS6526	E454 *	66, 178	\$6,565	E9
324TTGP1076	U958	87	\$4,472	E7	326TTDR7112	M824	131	\$4,403	S5	364TSTGS1001	U968	88	\$7,959	E7
324TTGP4026	U012 *	81	\$4,315	E7	326TTDR7302	M837	132	\$4,336	S5	364TSTGS4001	U070 *	81	\$8,342	E7
324TTGP4030	U031	81, 98	\$4,315	E7	326TTDR8954	M834	131	\$3,921	S5	364TSTGS4026	U080	81	\$7,632	E7
324TTGP4076	U048 *	81	\$4,833	E7	326TTFC4026	E962 *	41, 45	\$3,595	E1	364TSTGS6506	E572	85	\$8,928	E7
324TTGS6529	E567 *	85	\$4,745	E7	326TTFPA17037	M909	133	\$5,486	S5	364TTDC4036	E739 *	32	\$3,332	E2
324TTTS18577	S525	188	\$4,770	E9	326TTFPA4028	U728	52	\$3,997	E8	364TTDC6060	U779 *	58	\$3,468	E2
324TTTS18601	S523	188	\$4,640	E9	326TTFPA4030	U659 *	41, 45, 91	\$3,595	E1	364TTDCA6060	U1779 *	58	\$3,468	E2

# Index

## Model Number/Catalog Number

MODEL NO.	CAT. NO.	PAGE NO.	LIST PRICE	MULT. SYMB.	MODEL NO.	CAT. NO.	PAGE NO.	LIST PRICE	MULT. SYMB.	MODEL NO.	CAT. NO.	PAGE NO.	LIST PRICE	MULT. SYMB.
364TTDCA6086	U1927	58	\$4,269	E2	365TSTFS4026	E804 *	42, 45	\$6,742	E1	404TSTDS7623	Y651 *	130	\$6,800	E2
364TTDR5039	M838	132	\$4,528	S5	365TSTFS6001	E227 *	42, 62	\$8,531	E9	404TSTDS8561	Y649	130	\$4,712	E2
364TTDS4040	E766	32, 89	\$3,332	E2	365TSTFS6002	E322	42, 92	\$8,531	E9	404TTDS17102	M836	131	\$6,788	S5
364TTDS4086	E746 *	32	\$4,153	E2	365TSTFS6501	E612 *	67, 178	\$8,702	E9	404TTDS4036	E741 *	33	\$5,175	E2
364TTDS4328	U520	129	\$3,425	E2	365TSTFS6502	E665 *	67, 95	\$8,702	E9	404TTDS4042	U903	33, 89	\$5,175	E2
364TTDS7009	M841	132	\$5,425	S5	365TSTFS6526	E455 *	67, 178	\$8,322	E9	404TTDS4086	E748 *	32	\$5,658	E2
364TTDS7117	M828	131	\$4,940	S5	365TSTGS1001	U971	88	\$9,280	E7	404TTDS6060	E922 *	58	\$5,852	E2
364TTDS7376	M831	131	\$5,149	S5	365TSTGS16503	E575	85	\$10,346	E7	404TTDS7071	M846	132	\$6,965	S5
364TTDS8274	Y641	129	\$2,875	E2	365TSTGS4001	U071 *	81	\$9,641	E7	404TTDS7376	M839	132	\$6,933	S5
364TTFC4036	E985 *	41, 45	\$5,275	E1	365TSTGS4026	U081	81	\$9,390	E7	404TTDS7387	Y210 *	189	\$7,567	S7
364TTFS4038	U729 *	52	\$5,858	E8	365TTDC4036	E740 *	32	\$4,058	E2	404TTFS4086	E803 *	41, 45	\$6,508	E1
364TTFS4040	U660 *	41, 45, 92	\$5,275	E1	365TTDC6060	U783 *	58	\$4,278	E2	404TTFS6086	E243 *	41, 62	\$8,806	E9
364TTFS4086	E988 *	41, 45	\$4,822	E1	365TTDCA6060	U1783*	58	\$4,278	E2	404TTFS6586	E644 *	67, 178	\$8,982	E9
364TTFS4550	U877	47, 167	\$5,991	S3	365TTDCA6086	U1928	58	\$4,885	E2	404TTFS6592	E403	67, 95	\$8,982	E9
364TTFS6036	E211 *	41, 62	\$6,436	E9	365TTDS4041	E767	32, 89	\$4,058	E2	404TTFS7685	M914	134	\$11,097	S5
364TTFS6040	E313 *	41, 62, 92	\$6,436	E9	365TTDS4086	E747 *	32	\$4,850	E2	404TTFS8102	L426 *	41, 45	\$9,010	E6
364TTFS6086	E241 *	41, 62	\$6,544	E9	365TTDS6060	E921	58	\$4,746	E2	404TTGS1086	U970	88	\$9,415	E7
364TTFS6536	E626 *	66, 178	\$6,565	E9	365TTDS7019	M845	132	\$7,312	S5	404TTGS4087	U089 *	81	\$9,944	E7
364TTFS6537	E679 *	66, 95	\$6,565	E9	365TTDS7071	M842	132	\$5,513	S5	404TTGS6588	E574	85	\$10,671	E7
364TTFS6586	E642 *	66, 178	\$6,675	E9	365TTDS7114	M832	131	\$5,955	S5	404UTFS4086	P467	172	\$9,320	E9
364TTFS6590	E401	66, 95	\$6,675	E9	365TTDS7376	M835	131	\$6,074	S5	405THFS8036	Y575 *	198	\$12,009	E3
364TTFS7922	M912	134	\$6,505	S5	365TTDS7383	Y209 *	189	\$6,263	S7	405THFS8046	Y517 *	198	\$14,347	E3
364TTFS7945	M913	134	\$6,788	S5	365TTFS4036	E957 *	42, 45	\$6,742	E1	405THFS8378	Y588 *	197	\$17,505	E3
364TTFS7985	M906	133	\$7,726	S5	365TTFS4038	U730 *	52	\$7,325	E8	405THFS9036	W600 *	71, 176	\$11,824	E9
364TTFS8101	L420 *	41, 45	\$6,105	E6	365TTFS4040	E805 *	42, 45, 92	\$6,742	E1	405THFS9040	W601	71, 97	\$11,824	E9
364TTFS9234	Y389 *	168	\$7,844	S3	365TTFS4086	E993 *	41, 45	\$5,632	E1	405THFS9086	W596	71, 176	\$12,159	E9
364TTGS1036	U969 *	88	\$7,292	E7	365TTFS4560	U878	47, 167	\$7,458	S3	405TSHFS9001	W598 *	71, 176	\$13,409	E9
364TTGS1086	U964	88	\$6,984	E7	365TTFS6036	E212 *	42, 62	\$8,159	E9	405TSHFS9026	W599	71, 176	\$11,824	E9
364TTGS4040	U033	81, 98	\$7,632	E7	365TTFS6040	E315 *	42, 62, 92	\$8,159	E9	405TSTDS4001	E755 *	33	\$8,901	E2
364TTGS4046	U093 *	81	\$7,632	E7	365TTFS6086	E242 *	41, 62	\$7,516	E9	405TSTDS4006	U534 *	130	\$9,152	E2
364TTGS4086	U050 *	81	\$7,357	E7	365TTFS6536	E627 *	67, 178	\$8,322	E9	405TSTDS4026	E781 *	33	\$6,196	E2
364TTGS6542	E573 *	85	\$8,395	E7	365TTFS6537	E680 *	67, 95	\$8,322	E9	405TSTDS4302	U455 *	36	\$9,771	E2
364TTGS6588	E568	85	\$7,522	E7	365TTFS6586	E643 *	66, 178	\$7,666	E9	405TSTDS4332	U532 *	130	\$6,371	E2
364USTFS4001	P464	172	\$5,575	E9	365TTFS6590	E402	66, 95	\$7,666	E9	405TSTDS4333	U529 *	130	\$5,402	E2
364UTFS4028	P631	174	\$7,543	E9	365TTFS7393	M910	133	\$9,109	S5	405TSTDS4333	U533	130	\$6,371	E2
364UTFS4036	P465	172	\$7,137	E9	365TTFS7923	M916	134	\$8,125	S5	405TSTDS6007	U251	58	\$9,215	E2
364UTFS4086	P453	172	\$6,393	E9	365TTFS7930	M917	134	\$8,270	S5	405TSTFS14002	U845 *	52	\$9,886	E8
364UTFS4087	P540	173	\$6,800	E9	365TTFS8115	L425 *	41, 45	\$7,563	E6	405TSTFS4001	E807 *	42, 46	\$9,016	E1
364UTFS8036	P356	172	\$5,706	E9	365TTFS9230	Y390 *	168	\$11,353	S3	405TSTFS4026	E808 *	42, 46	\$8,132	E1
364UTFS8086	P349	172	\$5,111	E9	365TTGS1036	U972 *	88	\$9,049	E7	405TSTFS6001	E228 *	42, 62	\$11,431	E9
365THFS19077	W640	71	\$8,816	E9	365TTGS1086	U967	88	\$7,982	E7	405TSTFS6005	E323	42, 92	\$11,431	E9
365THFS19101	W576	70	\$10,946	E9	365TTGS16577	E571	85	\$8,545	E7	405TSTFS6501	E613 *	67, 178	\$11,660	E9
365THFS8036	Y574 *	197	\$8,875	E3	365TTGS4040	U034	81, 98	\$9,390	E7	405TSTFS6502	E493	67, 95	\$11,660	E9
365THFS8046	Y516 *	197	\$10,278	E3	365TTGS4046	U094 *	81	\$9,390	E7	405TSTFS6526	E456 *	67, 178	\$10,282	E9
365THFS8380	Y586 *	197	\$12,951	E3	365TTGS4091	U092 *	81	\$8,342	E7	405TSTGS1001	U974	88	\$12,513	E7
365THFS9036	W594 *	71, 176	\$9,571	E9	365TTGS6547	E576 *	85	\$9,859	E7	405TSTGS4003	U096 *	82	\$13,042	E7
365THFS9044	W595 *	71, 97	\$9,571	E9	365USTFS4001	P471	172	\$7,036	E9	405TSTGS4026	U082	82	\$11,546	E7
365THFS9086	W582 *	71, 176	\$8,816	E9	365UTFS4028	P633	174	\$8,778	E9	405TSTGS6503	E578	86	\$13,996	E7
365TSHFS19002	W592	71, 97	\$10,007	E9	365UTFS4036	P472	172	\$8,372	E9	405TTDS4036	E742 *	33	\$6,196	E2
365TSHFS9001	W591 *	71, 176	\$10,007	E9	365UTFS4086	P460	172	\$7,234	E9	405TTDS4049	U904	33, 89	\$6,196	E2
365TSHFS9026	W593	71, 176	\$9,571	E9	365UTFS4088	P630	174	\$7,642	E9	405TTDS4086	E749	32	\$6,737	E2
365TSTDC4026	E782 *	32	\$4,058	E2	365UTFS8036	P360	172	\$6,691	E9	405TTDS6060	E923 *	58	\$7,408	E2
365TSTDC6001	U784 *	58	\$6,081	E2	365UTFS8086	P353	172	\$5,785	E9	405TTDS7099	M843	132	\$8,155	S5
365TSTDCA6001	U1784*	58	\$6,081	E2	365TTFS17102	M907	133	\$8,934	S5	405TTDS7124	M840	132	\$7,828	S5
365TSTDS4001	E753 *	33	\$5,882	E2	404THFS8092	Y587 *	197	\$14,367	E3	405TTDS7301	M853	132	\$11,161	S5
365TSTDS4025	U526 *	130	\$6,047	E2	404THFS9086	W589	71, 176	\$10,330	E9	405TTDS7354	M850	132	\$8,412	S5
365TSTDS4303	U527 *	130	\$6,047	E2	404THFS9101	W583	71	\$12,316	E9	405TTDS7624	M849	132	\$9,187	S5
365TSTDS4324	U451 *	36	\$6,465	E2	404TSTDS14008	U531	130	\$7,523	E2	405TTDS7697	Y211	189	\$8,926	S7
365TSTDS4332	U524 *	130	\$4,172	E2	404TSTDS4001	E754 *	33	\$6,905	E2	405TTFS17078	M918	134	\$13,050	S5
365TSTDS4347	U525	130	\$4,172	E2	404TSTDS4017	U530 *	130	\$7,523	E2	405TTFS4036	E959	42, 46	\$8,132	E1
365TSTDS4634	U450	36	\$4,641	E2	404TSTDS4026	E780 *	33	\$5,175	E2	405TTFS4038	U731 *	52	\$8,212	E8
365TSTDS7904	Y647 *	130	\$5,528	E2	404TSTDS4308	U453 *	36	\$7,775	E2	405TTFS4040	U661 *	42, 46, 92	\$8,132	E1
365TSTDS8637	Y645	130	\$3,657	E2	404TSTDS4332	U528 *	130	\$5,321	E2	405TTFS4086	E806 *	42, 45	\$7,821	E1
365TSTFS14002	U842 *	52	\$7,265	E8	404TSTDS4364	U452	36	\$6,045	E2	405TTFS4560	U879	47, 167	\$9,236	S3
365TSTFS4001	E991 *	42, 45	\$6,682	E1	404TSTDS6001	U250	58	\$7,575	E2	405TTFS6036	E213 *	42, 62	\$10,080	E9

INDEX

## Model Number/Catalog Number

MODEL NO.	CAT. NO.	PAGE NO.	LIST PRICE	MULT. SYMB.	MODEL NO.	CAT. NO.	PAGE NO.	LIST PRICE	MULT. SYMB.	MODEL NO.	CAT. NO.	PAGE NO.	LIST PRICE	MULT. SYMB.
405TTFS6040	E314 *	42, 62, 92	\$10,080	E9	444TTFS6590	E405	67, 95	\$15,592	E9	445TTDS4086	E795	33	\$10,479	E2
405TTFS6086	E244 *	42, 62	\$10,366	E9	444TTFS7262	Y392	168	\$17,761	S3	445TTDS4098	E796	33	\$11,617	E2
405TTFS6536	E628 *	67, 178	\$10,282	E9	444TTFS7321	M924	134	\$15,790	S5	445TTDS6060	E925 *	58	\$10,087	E2
405TTFS6538	E681 *	67, 95	\$10,282	E9	444TTFS7403	M919	134	\$15,709	S5	445TTDS6061	E926	58	\$13,375	E2
405TTFS6586	E645 *	67, 178	\$10,574	E9	444TTFS7640	M925	134	\$14,461	S5	445TTDS7121	M848	132	\$12,045	S5
405TTFS6587	E404	67, 95	\$10,574	E9	444TTFS7686	M922	134	\$17,396	S5	445TTDS7315	M861	132	\$16,330	S5
405TTFS7297	Y391 *	168	\$14,685	S3	444TTFS8106	L428 *	42, 45	\$13,915	E6	445TTDS7372	H149 *	33	\$11,662	E6
405TTFS7370	M921	134	\$11,141	S5	444TTFS8841	Y824 *	179	\$10,057	E4	445TTDS7636	M862	132	\$14,497	S5
405TTFS7612	M920	134	\$11,701	S5	444TTGS1036	U978 *	88	\$14,358	E7	445TTDS7659	M858	132	\$13,715	S5
405TTFS8114	L427 *	41, 45	\$10,448	E6	444TTGS11077	U976	88	\$15,492	E7	445TTDS9476	M851	132	\$12,019	S5
405TTFS8857	Y822 *	179	\$7,408	E4	444TTGS4038	U085 *	82	\$14,912	E7	445TTDS9477	Y213 *	189	\$13,361	S7
405TTGS1036	U975 *	88	\$11,044	E7	444TTGS4042	U036	82, 98	\$14,912	E7	445TTFN17002	M928	134	\$19,188	S5
405TTGS1086	U973 *	88	\$11,037	E7	444TTGS4087	U095 *	82	\$16,074	E7	445TTFN4036	E986 *	42, 46	\$12,758	E1
405TTGS4040	U035	82, 98	\$11,546	E7	444TTGS6539	E582 *	86	\$16,403	E7	445TTFN4038	E989 *	42, 46	\$15,500	E1
405TTGS4046	U097 *	82	\$11,546	E7	444TTGS6588	E580	86	\$17,067	E7	445TTFN4049	U667	42, 46, 92	\$15,500	E1
405TTGS4087	U088 *	81	\$11,565	E7	444USTFS4001	P485	172	\$11,000	E9	445TTFN4059	U669	42, 46	\$15,500	E1
405TTGS6548	E594 *	86	\$12,701	E7	444UTFS17077	P365	172	\$10,103	E9	445TTFN4086	U663	42, 46	\$13,392	E1
405TTGS6589	E577	85	\$12,426	E7	444UTFS4027	P554	173	\$13,418	E9	445TTFN4087	E958 *	42, 46	\$14,751	E1
405USTFS4001	P478	172	\$8,371	E9	444UTFS4028	P637	174	\$13,418	E9	445TTFN4574	U882	47, 167	\$16,900	S3
405UTFS4028	P635	174	\$10,878	E9	444UTFS4036	P486	172	\$12,819	E9	445TTFN4575	U884	47, 167	\$19,095	S3
405UTFS4036	P479	172	\$10,394	E9	444UTFS4086	P481	172	\$12,639	E9	445TTFN4826	U881 *	47, 167	\$14,158	S3
405UTFS4086	P474	172	\$10,765	E9	445THFN19033	W641	71	\$18,096	E9	445TTFN6036	E215 *	42, 63	\$15,428	E9
444THFN8036	Y576 *	198	\$15,805	E3	445THFN19034	W642 *	71, 97	\$25,310	E9	445TTFN6037	E317	42, 92	\$15,428	E9
444THFN8046	Y518 *	198	\$18,283	E3	445THFN8036	Y577 *	198	\$18,248	E3	445TTFN6038	E247 *	42, 63	\$18,763	E9
444THFN8384	Y589 *	198	\$20,092	E3	445THFN8040	Y578 *	198	\$22,027	E3	445TTFN6039	E326	42, 92	\$18,763	E9
444THFS9036	W606 *	71, 176	\$15,566	E9	445THFN8046	Y519 *	198	\$20,725	E3	445TTFN6040	E287 *	43, 63	\$23,540	E9
444THFS9040	W607 *	71	\$15,566	E9	445THFN8050	Y520 *	198	\$24,504	E3	445TTFN6086	E246 *	42, 62	\$17,402	E9
444THFS9101	W597	71	\$18,375	E9	445THFN9036	W612 *	71, 176	\$18,096	E9	445TTFN6087	E289	42, 63	\$19,470	E9
444TSHFS9001	W604 *	71, 176	\$17,530	E9	445THFN9037	W613 *	71, 97	\$18,096	E9	445TTFN6536	E630 *	67, 178	\$15,736	E9
444TSTDS4001	E756 *	33	\$11,634	E2	445THFN9038	W618 *	71, 176	\$22,009	E9	445TTFN6537	E682 *	67, 95	\$15,736	E9
444TSTDS4010	U536 *	130	\$14,236	E2	445THFN9086	W608	71, 176	\$20,412	E9	445TTFN6538	E631 *	67, 178	\$19,138	E9
444TSTDS4026	E792 *	33	\$8,949	E2	445THFN9087	W614	71, 176	\$22,839	E9	445TTFN6540	E450 *	67, 178	\$24,011	E9
444TSTDS4056	U456	36	\$9,903	E2	445THFN9102	W609	71	\$23,128	E9	445TTFN6586	E647 *	67, 178	\$17,750	E9
444TSTDS4332	U535 *	130	\$9,201	E2	445THFN9106	W603	71	\$22,518	E9	445TTFN6587	E448 *	67, 178	\$19,859	E9
444TSTFS16002	E324	42, 92	\$14,944	E9	445TSHFN9001	W610 *	71, 176	\$21,058	E9	445TTFN6590	E406	67, 95	\$17,750	E9
444TSTFS4001	E992 *	42, 46	\$12,569	E1	445TSHFN9005	W616	71, 176	\$26,639	E9	445TTFN6591	E407	67, 95	\$19,859	E9
444TSTFS4026	E810 *	42, 46	\$10,490	E1	445TSHFN9026	W611	97, 176	\$18,096	E9	445TTFN7360	M933	134	\$24,684	S5
444TSTFS6001	E229 *	42, 62	\$14,944	E9	445TSHFN9028	W617 *	71, 176	\$22,009	E9	445TTFN7361	M929	134	\$17,663	S5
444TSTFS6501	E614 *	67, 178	\$15,243	E9	445TSTDS4001	E757	33	\$16,555	E2	445TTFN7694	M926	134	\$21,030	S5
444TSTFS6505	E494	67, 95	\$15,243	E9	445TSTDS4026	U400 *	33	\$11,305	E2	445TTFN8040	L452 *	43, 46	\$17,695	E9
444TSTFS6526	E457 *	67, 178	\$13,535	E9	445TSTDS4332	U537 *	130	\$11,624	E2	445TTFN8041	L453	43, 46, 92	\$17,695	E9
444TSTGS1001	U977	88	\$17,420	E7	445TSTDS7001	H119	33	\$13,478	E6	445TTFN8042	L460 *	43, 46	\$19,903	E9
444TSTGS4003	U073 *	82	\$18,003	E7	445TSTDS7303	Y658 *	130	\$13,858	E2	445TTFN8043	L461	43, 46, 92	\$19,903	E9
444TSTGS4026	U083	82	\$14,912	E7	445TSTDS7362	H192	33	\$11,662	E6	445TTFN8102	L440 *	42, 46	\$20,442	E6
444TTDS16077	U272	58	\$8,833	E2	445TSTDS7936	Y659 *	130	\$11,991	E2	445TTFN8115	L429 *	42, 46	\$17,581	E6
444TTDS4036	E743 *	33	\$8,949	E2	445STFN4001	E981 *	42, 46	\$15,054	E1	445TTFS8870	Y826 *	179	\$11,026	E4
444TTDS4069	U911	33, 89	\$8,949	E2	445STFN4005	E812 *	42, 46	\$18,811	E1	445TTGN1036	U981	88	\$17,076	E7
444TTDS4086	E750	33	\$8,533	E2	445STFN4026	E811 *	42, 46	\$12,758	E1	445TTGN1038	U984	88	\$19,661	E7
444TTDS6060	E924 *	58	\$8,748	E2	445STFN4028	E813 *	42, 46	\$15,500	E1	445TTGN1086	U979	88	\$18,440	E7
444TTDS7302	M857	132	\$15,254	S5	445STFN6001	E230	42, 63	\$17,952	E9	445TTGN1087	U982	88	\$20,115	E7
444TTDS7403	M844	132	\$8,978	S5	445STFN6501	E615 *	67, 178	\$18,311	E9	445TTGN4030	U037	82, 98	\$18,417	E7
444TTDS7632	M854	132	\$10,092	S5	445STFN6502	E495	67, 95	\$18,311	E9	445TTGN4037	U018 *	82	\$17,628	E7
444TTDS8699	Y212 *	189	\$10,020	S7	445STFN6505	E449 *	67, 178	\$23,164	E9	445TTGN4045	U038	82, 98	\$20,837	E7
444TTDS8981	M847	132	\$10,122	S5	445STFN6506	E496	67, 95	\$23,164	E9	445TTGN4053	U019 *	82	\$20,837	E7
444TTFN6086	E328	62	\$15,286	E9	445STFN6526	E458 *	67, 178	\$15,736	E9	445TTGN4087	U090	82	\$20,698	E7
444TTFS4036	E987 *	42, 46	\$10,490	E1	445STFN6528	E459 *	67, 178	\$19,138	E9	445TTGN6524	E585	86	\$19,391	E7
444TTFS4040	U662	42, 46, 92	\$10,490	E1	445STFN8007	L450	43, 46	\$21,734	E9	445TTGN6538	E588	86	\$21,983	E7
444TTFS4086	E809 *	42, 46	\$11,007	E1	445STGN1001	U980	88	\$20,490	E7	445TTGS4086	U055	82	\$19,021	E7
444TTFS4546	U880	47, 167	\$11,890	S3	445STGN4001	U074	82	\$21,073	E7	445TTGS6597	E583	86	\$20,412	E7
444TTFS6036	E214 *	42, 62	\$13,270	E9	445STGN4005	U075	82	\$25,713	E7	445USTFN4001	P492	172	\$14,536	E9
444TTFS6044	E316	42, 92	\$13,270	E9	445STGN4027	U084	82	\$17,628	E7	445UTFN4028	P639	174	\$16,533	E9
444TTFS6086	E245	42	\$14,168	E9	445TTDS17084	M855	132	\$14,515	S5	445UTFN4036	P493 *	172	\$15,938	E9
444TTFS6536	E629 *	67, 178	\$13,535	E9	445TTDS4036	E744 *	33	\$11,305	E2	445UTFN4086	P488	172	\$14,987	E9
444TTFS6540	E697 *	67, 95	\$13,535	E9	445TTDS4037	E745	33	\$16,712	E2	447TSTDN16604	U785	58	\$16,694	E2
444TTFS6586	E646 *	67, 178	\$14,451	E9	445TTDS4070	U912	33, 89	\$11,305	E2	447TSTDN7001	H178 *	33, 130	\$15,826	E6



# Index

## Model Number/Catalog Number

MODEL NO.	CAT. NO.	PAGE NO.	LIST PRICE	MULT. SYMB.	MODEL NO.	CAT. NO.	PAGE NO.	LIST PRICE	MULT. SYMB.	MODEL NO.	CAT. NO.	PAGE NO.	LIST PRICE	MULT. SYMB.
447TSTDN7003	H193 *	33, 130	\$18,128	E6	449TTFS7109	M931	134	\$37,107	S5	71T11FH5503	R382 *	55	\$357	F4
447TSTDN7005	H817 *	33, 130	\$20,626	E6	449TTFS8027	L463 *	43, 46	\$19,903	E9	71T17FH5326	R304 *	53	\$213	F4
447TSTDN7026	H812 *	33, 130	\$12,937	E6	449TTFS8028	L455	43, 46	\$17,695	E9	71T17FH5327	R307 *	53	\$222	F4
447TSTDN7027	H813 *	33, 130	\$14,278	E6	449TTFS8036	L467 *	43, 46	\$22,844	E9	71T17FH5330	R404 *	53, 104	\$213	F4
447TSTDN7028	H814 *	33, 130	\$15,153	E6	449TTFS8037	L462 *	43, 46	\$19,903	E9	71T17FH5331	R407 *	53, 104	\$222	F4
447TTDN16041	U789	58	\$16,013	E2	449TTFS8038	L454 *	43, 46	\$17,695	E9	71T17FH5405	R364 *	55	\$234	F4
447TTDN4089	E797	33	\$11,965	E2	449TTFS8039	L469	43, 46	\$24,245	E9	71T17FH5408	R367 *	55	\$244	F4
447TTDN7087	H822	33	\$13,179	E6	449TTFS8076	L465 *	43, 46	\$22,959	E9	71T17FH5505	R384 *	55	\$240	F4
449THFS19079	W630 *	71, 97	\$27,957	E9	449TTFS8077	L457	43, 46	\$19,767	E9	71T17FH5508	R387 *	55	\$247	F4
449THFS8036	Y579	198	\$27,437	E3	449TTFS8086	L464 *	43, 46	\$22,959	E9	71T22FH5403	R362 *	55	\$357	F4
449THFS8037	Y580	198	\$31,240	E3	449TTFS8087	L456 *	43, 46	\$19,767	E9	71T34FH5301	R306 *	53	\$218	F4
449THFS8046	Y531 *	198	\$30,693	E3	449TTFS8110	L449 *	42, 46	\$23,456	E6	71T34FH5302	R309 *	53	\$229	F4
449THFS8047	Y532 *	198	\$34,496	E3	449TTFS8111	L442 *	42, 46	\$23,061	E6	71T34FH5303	R406 *	53, 104	\$218	F4
449THFS8048	Y533 *	198	\$37,753	E3	449TTFS8576	Y855 *	179	\$16,465	E4	71T34FH5304	R409 *	53, 104	\$229	F4
449THFS9027	W632	72, 176	\$32,390	E9	449TTFS8581	Y857 *	179	\$21,974	E4	71T34FH5407	R366 *	55	\$235	F4
449THFS9028	W626	72, 176	\$31,755	E9	449TTGS1088	U985	88	\$24,295	E7	71T34FH5410	R369 *	55	\$247	F4
449THFS9030	W619	71	\$25,310	E9	449TTGS4088	U091	82	\$24,957	E7	71T34FH5507	R386 *	55	\$239	F4
449THFS9036	W635	72, 176	\$41,174	E9	449TTGS7036	H504	82	\$29,288	E7	7AT34FH5510	R389 *	55	\$253	F4
449THFS9046	W621	71, 176	\$27,957	E9	449TTGS7037	H503	82	\$26,115	E7	80T11FH5376	R305	53	\$334	F4
449THFS9088	W622	71, 176	\$27,957	E9	449TTGS7068	H502 *	82	\$23,450	E7	80T11FH5377	R308	53	\$348	F4
449THFS9101	W615	71	\$29,415	E9	449TTGS8038	H581	88	\$22,807	E7	80T11FH5378	R311	53	\$374	F4
449TSHF9001	W634	72, 176	\$49,938	E9	449TVDN6042	Y951	109	\$31,588	S6	80T11FH5406	R365 *	55	\$384	F4
449TSHFS9003	W624	72, 176	\$33,596	E9	449TVFS16535	Y256	110	\$36,119	S6	80T11FH5409	R368 *	55	\$399	F4
449TSTDN7001	H818 *	33, 130	\$21,030	E6	449TVFS6542	Y902	110	\$43,482	S6	80T11FH5412	R371 *	55	\$423	F4
449TSTDN7003	H819 *	33, 130	\$22,862	E6	449TVFS6543	Y908	110	\$48,948	S6	80T11FH5506	R385 *	55	\$384	F4
449TSTDN7026	H815	33, 130	\$15,851	E6	5011LSVFS16531	Y930	111	\$64,832	S6	80T11FH5509	R388 *	55	\$399	F4
449TSTDN7027	H816	33, 130	\$17,076	E6	5011LSVFS6526	Y922	111	\$51,020	S6	80T11FH5512	R391 *	55	\$423	F4
449TSTFS6001	E273	43, 63	\$42,573	E9	5011LSVFS6546	Y938	111	\$68,124	S6	80T17FH5326	R310 *	53	\$241	F4
449TSTFS6002	E272	43, 63	\$37,124	E9	5011LXVFS16577	Y921	111	\$54,337	S6	80T17FH5327	R313 *	53	\$264	F4
449TSTFS6003	E271	43, 63	\$28,641	E9	5011LXVFS6544	Y936	111	\$58,627	S6	80T17FH5330	R410	53, 104	\$241	F4
449TSTFS6501	E769	68, 178	\$43,424	E9	5011LXVFS6545	Y937	111	\$62,229	S6	80T17FH5331	R413	53, 104	\$264	F4
449TSTFS6502	E698	68, 178	\$37,866	E9	5011LXVFS6547	Y939	111	\$88,423	S6	80T17FH5411	R370 *	55	\$265	F4
449TSTFS6503	E699	67, 178	\$29,214	E9	5011LXVFS6579	Y935 *	111	\$63,276	S6	80T17FH5414	R373 *	55	\$284	F4
449TSTFS8001	L466 *	43, 46	\$30,903	E9	5011LXVFS6583	Y923	111	\$57,628	S6	80T17FH5511	R390 *	55	\$269	F4
449TSTFS8002	L459 *	43, 46	\$26,904	E9	5013LSTFS6595	E363	68	\$85,984	S6	80T17FH5514	R393 *	55	\$291	F4
449TSTFS8003	L451 *	43, 46	\$21,734	E9	5013LSVFS16601	Y912	111	\$91,545	S6	80T34FH5301	R312 *	53	\$260	F4
449TSTGS7003	H513	82	\$28,379	E7	505UTDS1584	Y219 *	189	\$19,574	S7	80T34FH5302	R315 *	53	\$287	F4
449TSTGS8003	H580	88	\$27,720	E7	505UTDS1590	Y220 *	189	\$20,917	S7	80T34FH5303	R415 *	53, 104	\$287	F4
449TSVFS6504	Y905	110	\$41,896	S6	505UTDS307	M869	132	\$24,762	S5	80T34FH5305	R412 *	53, 104	\$260	F4
449TTDN7086	H820	33	\$15,304	E6	505UTDS3998	M859	132	\$21,216	S5	80T34FH5413	R372 *	55	\$272	F4
449TTDN7087	H821	33	\$20,546	E6	505UTDS3999	M863	132	\$22,626	S5	80T34FH5416	R375 *	55	\$310	F4
449TTFS16534	E345	68, 95	\$27,438	E9	505UTDS5820	M860	132	\$22,329	S5	80T34FH5513	R392 *	55	\$278	F4
449TTFS16553	E776	68, 178	\$36,759	E9	505UTDS682	M867	132	\$26,095	S5	80T34FH5516	R395 *	55	\$317	F4
449TTFS18043	L472	43, 46	\$19,903	E9	505UTDS709	M868	132	\$32,024	S5	90LT17FH5326	R319 *	53	\$317	F4
449TTFS18105	L471	43, 46	\$21,616	E6	505UTDS805	M852	132	\$16,007	S5	90LT17FH5327	R419 *	53, 104	\$317	F4
449TTFS4088	E814 *	42, 46	\$16,787	E1	505UTDS819	M856	132	\$19,842	S5	90LT17FH5419	R378 *	55	\$351	F4
449TTFS6037	E277	43, 63	\$26,900	E9	505UTDS953	M866	132	\$17,461	S5	90LT17FH5519	R398 *	55	\$361	F4
449TTFS8038	E276	43, 63	\$27,071	E9	505UTDS956	M870	132	\$20,301	S5	90LT34FH5301	R321 *	54	\$442	F4
449TTFS6065	E292	43, 46, 63	\$36,316	E9	505UTDS957	M873	132	\$24,361	S5	90LT34FH5302	R421 *	54, 104	\$442	F4
449TTFS6087	E283	43, 63	\$27,398	E9	508UTDS683	M871	132	\$30,244	S5	90LT34FH5420	R379 *	55	\$497	F4
449TTFS6088	E282	42, 63	\$23,834	E9	508UTDS684	M874	132	\$34,734	S5	90LT34FH5520	R399 *	55	\$497	F4
449TTFS6390	E284	43, 63	\$36,173	E9	508UTDS708	M864	132	\$27,077	S5	90ST11FH5376	R314	53	\$389	F4
449TTFS6527	E772	68	\$27,438	E9	63T17FH5326	R301 *	53	\$182	F4	90ST11FH5415	R374 *	55	\$445	F4
449TTFS6528	E771 *	67, 178	\$27,612	E9	63T17FH5327	R401 *	53, 104	\$182	F4	90ST11FH5515	R394 *	55	\$445	F4
449TTFS6530	E770 *	67	\$22,009	E9	63T17FH5402	R361 *	55	\$205	F4	90ST17FH5326	R316 *	53	\$295	F4
449TTFS6536	E692 *	68, 178	\$35,804	E9	63T17FH5502	R381 *	55	\$208	F4	90ST17FH5327	R416 *	53, 104	\$295	F4
449TTFS6537	E691 *	68, 178	\$27,438	E9	63T34FH5301	R300 *	53	\$175	F4	90ST17FH5417	R376 *	55	\$316	F4
449TTFS6538	E690 *	67, 178	\$27,612	E9	63T34FH5302	R303 *	53	\$205	F4	90ST17FH5517	R396 *	55	\$322	F4
449TTFS6540	E854 *	67, 178	\$22,009	E9	63T34FH5303	R400	53, 104	\$175	F4	90ST34FH5301	R318 *	53	\$307	F4
449TTFS6564	E856 *	67, 95	\$22,009	E9	63T34FH5304	R403 *	53, 104	\$205	F4	90ST34FH5302	R418 *	53, 104	\$307	F4
449TTFS6577	E774 *	67, 178	\$27,946	E9	63T34FH5401	R360 *	55	\$197	F4	90ST34FH5418	R377 *	55	\$344	F4
449TTFS6578	E773 *	67, 178	\$24,311	E9	63T34FH5404	R363 *	55	\$231	F4	90ST34FH5518	R397 *	55	\$351	F4
449TTFS6582	E408	67, 95	\$24,311	E9	63T34FH5501	R380 *	55	\$201	F4	DRIVE KIT T900	T900 *	208	\$132	D3
449TTFS6587	E688	67	\$27,946	E9	63T34FH5504	R383 *	55	\$233	F4	DRIVE KIT T901	T901	208	\$166	D3
449TTFS6588	E687 *	67, 178	\$24,311	E9	71T11FH5376	R302	53	\$311	F4	DRIVE KIT T902	T902	208	\$198	D3

INDEX



## Model Number/Catalog Number

MODEL NO.	CAT. NO.	PAGE NO.	LIST PRICE	MULT. SYMB.	MODEL NO.	CAT. NO.	PAGE NO.	LIST PRICE	MULT. SYMB.	MODEL NO.	CAT. NO.	PAGE NO.	LIST PRICE	MULT. SYMB.
DRIVE KIT T915	T915	208	\$729	D3	DRIVE T1524	T1524	211	\$6,021	D3	DRIVE T318	T318 *	204	\$1,247	D3
DRIVE KIT T916	T916 *	208	\$142	D3	DRIVE T1525	T1525	211	\$6,837	D3	DRIVE T324	T324	204	\$525	D3
DRIVE KIT T920	T920 *	208	\$152	D3	DRIVE T1526	T1526	211	\$8,295	D3	DRIVE T325	T325	204	\$618	D3
DRIVE KIT T921	T921 *	208	\$187	D3	DRIVE T1527	T1527	211	\$9,279	D3	DRIVE T326	T326 *	204	\$681	D3
DRIVE KIT T922	T922 *	208	\$208	D3	DRIVE T201	T201 *	203	\$345	D3	DRIVE T327	T327 *	204	\$812	D3
DRIVE KIT T931	T931 *	209	\$233	D3	DRIVE T202	T202 *	203	\$375	D3	DRIVE T328	T328 *	204	\$1,045	D3
DRIVE KIT T933	T933	209	\$272	D3	DRIVE T204	T204 *	203	\$498	D3	DRIVE T329	T329 *	204	\$1,427	D3
DRIVE KIT T935	T935 *	209	\$370	D3	DRIVE T205	T205 *	203	\$565	D3	DRIVE T330	T330 *	204	\$1,705	D3
DRIVE KIT T936	T936	209	\$482	D3	DRIVE T211	T211 *	203	\$320	D3	DRIVE T331	T331 *	204	\$2,209	D3
DRIVE KIT T937	T937	209	\$609	D3	DRIVE T2112	T2112*	206	\$532	D3	DRIVE T332	T332 *	205	\$591	D3
DRIVE KIT T938	T938	209	\$735	D3	DRIVE T2114	T2114*	206	\$599	D3	DRIVE T333	T333	204	\$2,710	D3
DRIVE KIT T939	T939	209	\$314	D3	DRIVE T2115	T2115*	206	\$711	D3	DRIVE T334	T334 *	205	\$637	D3
DRIVE KIT T941	T941	209	\$233	D3	DRIVE T2116	T2116*	206	\$786	D3	DRIVE T335	T335 *	205	\$696	D3
DRIVE KIT T943	T943	209	\$272	D3	DRIVE T2117	T2117*	206	\$956	D3	DRIVE T336	T336 *	205	\$768	D3
DRIVE KIT T945	T945 *	209	\$370	D3	DRIVE T212	T212 *	203	\$337	D3	DRIVE T337	T337 *	205	\$858	D3
DRIVE KIT T946	T946 *	209	\$482	D3	DRIVE T213	T213	203	\$356	D3	DRIVE T338	T338 *	205	\$1,094	D3
DRIVE KIT T947	T947	209	\$609	D3	DRIVE T214	T214 *	203	\$375	D3	DRIVE T339	T339 *	205	\$1,427	D3
DRIVE KIT T948	T948	209	\$735	D3	DRIVE T215	T215 *	203	\$452	D3	DRIVE T340	T340 *	205	\$1,705	D3
DRIVE KIT T949	T949	209	\$314	D3	DRIVE T216	T216 *	203	\$530	D3	DRIVE T341	T341 *	205	\$2,166	D3
DRIVE KIT T953	T953	209	\$272	D3	DRIVE T217	T217 *	203	\$624	D3	DRIVE T342	T342 *	205	\$2,652	D3
DRIVE KIT T955	T955 *	209	\$370	D3	DRIVE T220	T220	203	\$1,167	D3	DRIVE T343	T343 *	205	\$3,156	D3
DRIVE KIT T956	T956	209	\$482	D3	DRIVE T221	T221	203	\$1,720	D3	DRIVE T344	T344	205	\$3,669	D3
DRIVE KIT T957	T957	209	\$609	D3	DRIVE T2214	T2214*	206	\$551	D3	DRIVE T354	T354	205	\$681	D3
DRIVE KIT T958	T958	209	\$735	D3	DRIVE T2215	T2215*	206	\$649	D3	DRIVE T356	T356	205	\$816	D3
DRIVE KIT T959	T959	209	\$314	D3	DRIVE T2216	T2216*	206	\$715	D3	DRIVE T357	T357	205	\$969	D3
DRIVE T1110	T1110*	210	\$757	D3	DRIVE T2217	T2217*	206	\$853	D3	DRIVE T358	T358	205	\$1,185	D3
DRIVE T1112	T1112*	210	\$914	D3	DRIVE T2218	T2218*	206	\$1,097	D3	DRIVE T359	T359	205	\$1,539	D3
DRIVE T1114	T1114*	210	\$921	D3	DRIVE T2219	T2219*	206	\$1,498	D3	DRIVE T360	T360	205	\$1,824	D3
DRIVE T1115	T1115*	210	\$1,020	D3	DRIVE T222	T222 *	203	\$320	D3	DRIVE T361	T361	205	\$2,389	D3
DRIVE T1116	T1116*	210	\$973	D3	DRIVE T2220	T2220*	206	\$1,790	D3	DRIVE T362	T362	205	\$2,922	D3
DRIVE T1117	T1117*	210	\$1,072	D3	DRIVE T224	T224 *	203	\$355	D3	DRIVE T363	T363	205	\$3,456	D3
DRIVE T1212	T1212*	210	\$801	D3	DRIVE T225	T225 *	203	\$422	D3	DRIVE T400	T400	212	\$1,056	D3
DRIVE T1214	T1214*	210	\$842	D3	DRIVE T226	T226 *	203	\$481	D3	DRIVE T402	T402	212	\$1,154	D3
DRIVE T1215	T1215*	210	\$882	D3	DRIVE T227	T227 *	203	\$533	D3	DRIVE T404	T404	212	\$1,262	D3
DRIVE T1216	T1216*	210	\$943	D3	DRIVE T228	T228	203	\$680	D3	DRIVE T405	T405	212	\$1,484	D3
DRIVE T1217	T1217*	210	\$1,014	D3	DRIVE T229	T229	203	\$939	D3	DRIVE T406	T406	212	\$1,343	D3
DRIVE T1218	T1218*	210	\$1,198	D3	DRIVE T230	T230	203	\$1,076	D3	DRIVE T407	T407	212	\$1,423	D3
DRIVE T1219	T1219*	210	\$1,731	D3	DRIVE T231	T231	203	\$1,272	D3	DRIVE T410	T410	214	\$1,305	D3
DRIVE T1220	T1220*	210	\$2,295	D3	DRIVE T232	T232 *	203	\$427	D3	DRIVE T412	T412	214	\$1,451	D3
DRIVE T1221	T1221	210	\$3,028	D3	DRIVE T234	T234 *	203	\$457	D3	DRIVE T414	T414	214	\$1,555	D3
DRIVE T1222	T1222*	210	\$4,110	D3	DRIVE T235	T235 *	203	\$496	D3	DRIVE T415	T415	214	\$1,912	D3
DRIVE T1223	T1223	210	\$4,977	D3	DRIVE T236	T236 *	203	\$529	D3	DRIVE T416	T416	214	\$1,635	D3
DRIVE T1224	T1224	210	\$5,973	D3	DRIVE T237	T237 *	203	\$581	D3	DRIVE T417	T417	214	\$1,715	D3
DRIVE T1414	T1414*	210	\$1,011	D3	DRIVE T238	T238 *	203	\$695	D3	DRIVE T422	T422 *	212	\$1,136	D3
DRIVE T1416	T1416*	210	\$1,109	D3	DRIVE T239	T239	203	\$903	D3	DRIVE T424	T424 *	212	\$1,233	D3
DRIVE T1417	T1417*	210	\$1,198	D3	DRIVE T2412	T2412*	206	\$621	D3	DRIVE T425	T425 *	212	\$1,250	D3
DRIVE T1418	T1418*	210	\$1,347	D3	DRIVE T2414	T2414*	206	\$669	D3	DRIVE T426	T426 *	212	\$1,322	D3
DRIVE T1419	T1419*	210	\$1,831	D3	DRIVE T2415	T2415*	206	\$731	D3	DRIVE T427	T427 *	212	\$1,429	D3
DRIVE T1420	T1420*	210	\$2,487	D3	DRIVE T2416	T2416*	206	\$806	D3	DRIVE T428	T428 *	212	\$1,763	D3
DRIVE T1421	T1421	210	\$3,195	D3	DRIVE T2417	T2417*	206	\$901	D3	DRIVE T429	T429	212	\$2,445	D3
DRIVE T1422	T1422*	210	\$4,240	D3	DRIVE T2418	T2418*	206	\$1,149	D3	DRIVE T430	T430	212	\$3,085	D3
DRIVE T1423	T1423	210	\$4,999	D3	DRIVE T2419	T2419*	206	\$1,498	D3	DRIVE T431	T431	212	\$3,720	D3
DRIVE T1424	T1424*	210	\$5,443	D3	DRIVE T2420	T2420*	206	\$1,790	D3	DRIVE T434	T434 *	212	\$1,390	D3
DRIVE T1425	T1425	210	\$6,273	D3	DRIVE T2514	T2514*	206	\$715	D3	DRIVE T436	T436 *	212	\$1,534	D3
DRIVE T1426	T1426	210	\$7,647	D3	DRIVE T2516	T2516*	206	\$857	D3	DRIVE T437	T437 *	212	\$1,643	D3
DRIVE T1427	T1427	210	\$8,400	D3	DRIVE T2517	T2517*	206	\$1,017	D3	DRIVE T438	T438 *	212	\$1,817	D3
DRIVE T1514	T1514*	211	\$1,120	D3	DRIVE T2518	T2518*	206	\$1,244	D3	DRIVE T439	T439	212	\$2,303	D3
DRIVE T1516	T1516*	211	\$1,238	D3	DRIVE T2519	T2519*	206	\$1,616	D3	DRIVE T440	T440	212	\$3,071	D3
DRIVE T1517	T1517*	211	\$1,369	D3	DRIVE T2520	T2520*	206	\$1,915	D3	DRIVE T441	T441	212	\$3,825	D3
DRIVE T1518	T1518*	211	\$1,491	D3	DRIVE T310	T310	204	\$507	D3	DRIVE T442	T442	212	\$4,906	D3
DRIVE T1519	T1519*	211	\$1,824	D3	DRIVE T312	T312	204	\$529	D3	DRIVE T444	T444 *	213	\$1,512	D3
DRIVE T1520	T1520*	211	\$2,779	D3	DRIVE T314	T314	204	\$570	D3	DRIVE T446	T446	213	\$1,687	D3
DRIVE T1521	T1521	211	\$3,670	D3	DRIVE T315	T315	204	\$677	D3	DRIVE T447	T447 *	213	\$1,839	D3
DRIVE T1522	T1522	211	\$4,661	D3	DRIVE T316	T316	204	\$749	D3	DRIVE T448	T448 *	213	\$1,980	D3
DRIVE T1523	T1523	211	\$5,505	D3	DRIVE T317	T317	204	\$910	D3	DRIVE T449	T449	213	\$2,723	D3

# Index

## Model Number/Catalog Number

MODEL NO.	CAT. NO.	PAGE NO.	LIST PRICE	MULT. SYMB.	MODEL NO.	CAT. NO.	PAGE NO.	LIST PRICE	MULT. SYMB.	MODEL NO.	CAT. NO.	PAGE NO.	LIST PRICE	MULT. SYMB.
DRIVE T450	T450	213	\$3,571	D3	DRIVE T988	T988	216	\$419	D3	KIT 210R	A721 *	242	\$205	S4
DRIVE T451	T451	213	\$4,314	D3	DRIVE T989	T989	216	\$446	D3	KIT 210TCDW	A606 *	233	\$128	S4
DRIVE T452	T452	214	\$1,334	D3	KIT 100	A100 *	239	\$7	S4	KIT 210TCFL	A204 *	234	\$128	S4
DRIVE T453	T453	213	\$5,251	D3	KIT 10014130	A565 *	55, 236	\$77	S4	KIT 210TCFS	A206 *	234	\$128	S4
DRIVE T454	T454	214	\$1,431	D3	KIT 1005215	A573 *	55, 236	\$84	S4	KIT 210TCFS-841	A183 *	235	\$248	S4
DRIVE T455	T455	214	\$1,498	D3	KIT 103	A103 *	243	\$312	S4	KIT 210TCFW	A609 *	234	\$128	S4
DRIVE T456	T456	214	\$1,588	D3	KIT 104	A104 *	238	\$7	S4	KIT 210U	2118T*	244	\$166	E3
DRIVE T457	T457	214	\$1,668	D3	KIT 105	A105 *	240	\$7	S4	KIT 213SB	213A *	244	\$107	S4
DRIVE T458	T458	214	\$2,323	D3	KIT 106	A106 *	240	\$10	S4	KIT 215SB	215A *	244	\$107	S4
DRIVE T459	T459	214	\$2,859	D3	KIT 107-637	A107 *	237	\$11	S4	KIT 21TEBC	A692 *	242	\$1,434	S4
DRIVE T460	T460	214	\$3,566	D3	KIT 109	A109 *	243	\$49	S4	KIT 2255400	A579 *	55, 236	\$470	S4
DRIVE T461	T461	214	\$4,358	D3	KIT 10BRK	A303 *	237	\$518	S4	KIT 234	A234 *	52, 241	\$21	S4
DRIVE T464	T464	214	\$1,573	D3	KIT 10BRKA	A299 *	237	\$518	S4	KIT 240	A240 *	238	\$36	S4
DRIVE T466	T466	214	\$1,781	D3	KIT 110	A110 *	238	\$10	S4	KIT 241	A241 *	238	\$54	S4
DRIVE T467	T467	214	\$1,912	D3	KIT 111	A111 *	239	\$15	S4	KIT 242	A242 *	238	\$44	S4
DRIVE T468	T468	214	\$2,182	D3	KIT 112	A112 *	238	\$7	S4	KIT 243	A243 *	239	\$14	S4
DRIVE T469	T469	214	\$2,959	D3	KIT 11214130	A566 *	55, 236	\$84	S4	KIT 244	A244 *	239	\$17	S4
DRIVE T470	T470	214	\$3,666	D3	KIT 1125215	A574 *	55, 236	\$90	S4	KIT 245	A245 *	239	\$19	S4
DRIVE T471	T471	214	\$4,386	D3	KIT 113	A113 *	238	\$7	S4	KIT 247	A247 *	241	\$7	S4
DRIVE T472	T472	214	\$5,414	D3	KIT 114	A114 *	238	\$14	S4	KIT 248	A248 *	241	\$7	S4
DRIVE T474	T474	214	\$1,709	D3	KIT 116	A116 *	243	\$450	S4	KIT 249	A249	238	\$17	S4
DRIVE T476	T476	214	\$1,908	D3	KIT 13214165	A567 *	55, 236	\$112	S4	KIT 250	A250 *	238	\$17	S4
DRIVE T477	T477	214	\$2,063	D3	KIT 1325265	A575 *	55, 236	\$120	S4	KIT 250CB	A722 *	241	\$118	S4
DRIVE T478	T478	214	\$2,335	D3	KIT 140CB	A715 *	242	\$98	S4	KIT 250R	A725 *	242	\$249	S4
DRIVE T479	T479	214	\$3,156	D3	KIT 140TCDR-1	A436 *	59, 233	\$62	S4	KIT 250RFNA	A724 *	242	\$249	S4
DRIVE T480	T480	214	\$4,052	D3	KIT 140TCFR-1	A438 *	234	\$62	S4	KIT 250RFPA	A723 *	242	\$249	S4
DRIVE T481	T481	214	\$4,867	D3	KIT 143SB	143A *	244	\$80	S4	KIT 250TCDX	A612 *	233	\$147	S4
DRIVE T482	T482	214	\$5,883	D3	KIT 143TCFN	A603 *	234	\$62	S4	KIT 250TCFL	A209 *	234	\$147	S4
DRIVE T532	T532	212	\$4,775	D3	KIT 143TCTN-841	A181 *	235	\$130	S4	KIT 250TCFL-R	A1209*	234	\$147	E3
DRIVE T533	T533	212	\$6,544	D3	KIT 145SB	145A *	244	\$80	S4	KIT 250TCFNA	A284 *	234	\$147	S4
DRIVE T534	T534	212	\$6,934	D3	KIT 145TCFN	A655 *	234	\$62	S4	KIT 250TCFNA-841	A184 *	235	\$284	S4
DRIVE T543	T543	212	\$5,664	D3	KIT 145TCTN-841	A262 *	235, 235	\$130	S4	KIT 250TCFP	A601 *	234	\$147	S4
DRIVE T544	T544	212	\$6,190	D3	KIT 16014215	A568 *	55, 236	\$219	S4	KIT 250TCFPA	A239 *	234	\$147	S4
DRIVE T545	T545	212	\$7,160	D3	KIT 1605300	A576 *	55, 236	\$227	S4	KIT 250TDFNA	A648 *	236	\$363	S4
DRIVE T546	T546	212	\$8,310	D3	KIT 175058	A626 *	59, 233	\$272	S4	KIT 250TDFPA	A647 *	236	\$363	S4
DRIVE T547	T547	212	\$9,356	D3	KIT 175059	A627 *	59, 233	\$455	S4	KIT 250U	25U21T*	244	\$166	E3
DRIVE T553	T553	213	\$6,262	D3	KIT 175060	A628 *	59, 233	\$600	S4	KIT 251	A251 *	238	\$17	S4
DRIVE T554	T554	213	\$6,873	D3	KIT 175061	A654 *	234	\$273	S4	KIT 252	A252 *	238	\$17	S4
DRIVE T555	T555	213	\$7,957	D3	KIT 175066	A602	59, 233	\$127	S4	KIT 253	A253 *	238	\$17	S4
DRIVE T556	T556	213	\$9,289	D3	KIT 175067	A622 *	59, 233	\$146	S4	KIT 254	A254 *	238	\$17	S4
DRIVE T557	T557	213	\$10,391	D3	KIT 175068	A652 *	234	\$128	S4	KIT 254SB	254B2*	244	\$172	S4
DRIVE T961	T961	216	\$138	D3	KIT 175181	A600	59, 233	\$62	S4	KIT 256	A256 *	240	\$132	S4
DRIVE T962	T962	216	\$138	D3	KIT 175191	A653 *	234	\$147	S4	KIT 256SB	256B2*	244	\$172	S4
DRIVE T963	T963	216	\$138	D3	KIT 175296	A643 *	234	\$91	S4	KIT 257	A257 *	240	\$42	S4
DRIVE T964	T964	216	\$196	D3	KIT 175614	A662 *	241	\$55	E3	KIT 258	A258 *	240	\$55	S4
DRIVE T965	T965	216	\$196	D3	KIT 175900	A585 *	55, 236	\$39	S4	KIT 259	A259 *	239	\$22	S4
DRIVE T966	T966	216	\$196	D3	KIT 175901	A586 *	55, 236	\$45	S4	KIT 25TEBCNA	A691 *	242	\$1,567	S4
DRIVE T967	T967	216	\$227	D3	KIT 175902	A587 *	55, 236	\$50	S4	KIT 261	A261 *	240	\$19	S4
DRIVE T968	T968	216	\$227	D3	KIT 175903	A588 *	55, 236	\$53	S4	KIT 277	A277 *	239	\$22	S4
DRIVE T969	T969	209, 216	\$345	D3	KIT 180/210CB	A720 *	241	\$71	S4	KIT 278	A278 *	239	\$12	S4
DRIVE T970	T970	209, 216	\$345	D3	KIT 1805300	A577 *	55, 236	\$281	S4	KIT 279	A279 *	238	\$19	S4
DRIVE T971	T971	209, 216	\$583	D3	KIT 180CF4.5-1	A645 *	234	\$91	S4	KIT 280	A280 *	238	\$19	S4
DRIVE T972	T972	209, 216	\$583	D3	KIT 180CF8.5-1	A644 *	234	\$91	S4	KIT 280CB	A729 *	241	\$159	S4
DRIVE T973	T973	216	\$761	D3	KIT 180R	A718 *	242	\$141	S4	KIT 280R	A728 *	242	\$346	S4
DRIVE T974	T974	216	\$761	D3	KIT 180TCFS-841	A182 *	235	\$184	S4	KIT 280RFN	A727 *	242	\$346	S4
DRIVE T975	T975	216	\$880	D3	KIT 180TDFR	A630 *	236	\$143	S4	KIT 280RFNA	A731	242	\$346	S4
DRIVE T976	T976	216	\$880	D3	KIT 180U	1814T*	244	\$131	E3	KIT 280RFPA	A726 *	242	\$346	S4
DRIVE T977	T977	216	\$211	D3	KIT 182SB	182A *	244	\$89	S4	KIT 280TCDC	A287 *	233	\$273	S4
DRIVE T978	T978	216	\$287	D3	KIT 184SB	184A *	244	\$89	S4	KIT 280TCDP	A610 *	233	\$273	S4
DRIVE T979	T979	216	\$287	D3	KIT 197	A197 *	52, 241	\$24	S4	KIT 280TCFN	A615 *	234	\$273	S4
DRIVE T980	T980	216	\$314	D3	KIT 198	A198 *	241	\$28	S4	KIT 280TCFN-841	A185	235	\$532	S4
DRIVE T981	T981	216	\$342	D3	KIT 199	A199 *	52, 241	\$28	S4	KIT 280TCFNA	A618 *	234	\$273	S4
DRIVE T982	T982	216	\$303	D3	KIT 2005350	A578 *	55, 236	\$367	S4	KIT 280TCFNA-841	A186 *	235	\$532	S4
DRIVE T983	T983	216	\$303	D3	KIT 201	A201 *	241	\$24	S4	KIT 280TCFP	A611 *	234	\$273	S4
DRIVE T987	T987	216	\$365	D3	KIT 202	A202	241	\$28	S4	KIT 280TCFPA	A617 *	234	\$273	S4

## Model Number/Catalog Number

MODEL NO.	CAT. NO.	PAGE NO.	LIST PRICE	MULT. SYMB.	MODEL NO.	CAT. NO.	PAGE NO.	LIST PRICE	MULT. SYMB.	MODEL NO.	CAT. NO.	PAGE NO.	LIST PRICE	MULT. SYMB.
KIT 280TDFNA	A656 *	236	\$638	S4	KIT 440BRFN	A759 *	242	\$1,366	S4	KIT ENCBOX	A801 *	243	\$136	E3
KIT 280TDFP	A631	236	\$639	S4	KIT 440BRFS-318	A757 *	242	\$1,366	S4	KIT HS201024-NV	A687 *	243	\$600	S4
KIT 280U	28U25T*	244	\$166	E3	KIT 440TCDS	A228	59, 233	\$1,257	S4	KIT HS25A1024-NV	A746 *	243	\$950	
KIT 281	A281 *	238	\$42	S4	KIT 440TCFN	A620 *	234	\$1,257	S4	KIT HS25A2048-NV	A747	243	\$950	
KIT 282	A282 *	238	\$37	S4	KIT 440TCFN-841	A194 *	235	\$1,669	S4	KIT HS351024-BC	A775 *	243	\$1,291	E3
KIT 283	A283 *	238	\$37	S4	KIT 440TCFS	A229 *	234	\$1,257	S4	KIT HS351024-FC	A774 *	243	\$1,291	E3
KIT 284SB	284B2*	244	\$204	S4	KIT 440TCFS-841	A192 *	235	\$1,669	S4	KIT HS351024-NV	A772 *	243	\$1,291	E3
KIT 286SB	286B2*	244	\$204	S4	KIT 440TSCDN	A293	233	\$1,257	S4	KIT HS352048-BC	A778 *	243	\$1,291	E3
KIT 28TEBCNA	A701 *	242	\$1,845	S4	KIT 440TSCDS	A231 *	59, 233	\$1,257	S4	KIT HS352048-FC	A777 *	243	\$1,291	E3
KIT 308	A308 *	238	\$37	S4	KIT 440TSCFN	A621 *	234	\$1,257	S4	KIT HS352048-NV	A776 *	243	\$1,291	E3
KIT 311	A311 *	241	\$28	E3	KIT 440TSCFN-841	A195	235	\$1,669	S4	KIT HS35A1024-BC	A738 *	243	\$1,291	
KIT 320CB	A730 *	241	\$177	S4	KIT 440TSCFS	A232 *	234	\$1,257	S4	KIT HS35A1024-FC	A737 *	243	\$1,291	
KIT 320R	A732 *	242	\$367	S4	KIT 440TSCFS-841	A193 *	235	\$1,669	S4	KIT HS35A1024-NV	A736 *	243	\$1,291	
KIT 320RFPFA	A733 *	242	\$367	S4	KIT 440U	44U40T*	244	\$297	E3	KIT HS35A2048-BC	A741	243	\$1,291	
KIT 320TCDP	A613 *	233	\$456	S4	KIT 444SB	444B2*	244	\$710	S4	KIT HS35A2048-FC	A740	243	\$1,291	
KIT 320TCFP	A614 *	234	\$473	S4	KIT 445SB	445B2*	244	\$710	S4	KIT HS35A2048-NV	A739 *	243	\$1,291	S4
KIT 320TCFPA	A619 *	234	\$473	S4	KIT 447SB	447B2*	244	\$1,064	S4	KIT HS35B1024-BC	A781 *	243	\$1,291	E3
KIT 320TCFS	A214 *	234	\$473	S4	KIT 449BBS	A761 *	242	\$1,421	S4	KIT HS35B1024-FC	A783 *	243	\$1,291	E3
KIT 320TCFS-841	A187 *	235	\$873	S4	KIT 449BBS-319	A788 *	242	\$1,421	S4	KIT HS35B1024-NV	A779 *	243	\$1,291	E3
KIT 320TDFP	A632	236	\$782	S4	KIT 449BBS-322	A787	242	\$1,421	S4	KIT HS35B2048-BC	A782	243	\$1,291	E3
KIT 320TDFPA	A657 *	236	\$721	S4	KIT 449BBS	A758 *	242	\$1,421	S4	KIT HS35B2048-FC	A784	243	\$1,291	E3
KIT 320U	32U28T*	244	\$196	E3	KIT 449SB	449B2*	244	\$1,064	S4	KIT HS35B2048-NV	A780 *	243	\$1,291	E3
KIT 324SB	324B2*	244	\$269	S4	KIT 449TCFS	A623 *	234	\$1,257	S4	KIT HS35M1024	A742 *	243	\$1,495	
KIT 326SB	326B2*	244	\$269	S4	KIT 449TCFS-1	A624 *	234	\$1,257	S4	KIT HS35M1024-BC	A743	243	\$1,495	
KIT 32TEBC	A695 *	242	\$2,170	S4	KIT 449TSCFS-2	A625 *	234	\$1,257	S4	KIT HS35M2048	A744	243	\$1,495	
KIT 360BRFSR-314	A755 *	242	\$1,039	S4	KIT 44TEBC-313	A698	242	\$3,465	S4	KIT HS35M2048-BC	A745	243	\$1,495	
KIT 360TCDS	A216 *	59, 233	\$601	S4	KIT 44TEBC-316	A699 *	242	\$3,465	S4	KIT HSD351024-FC	A712 *	243	\$1,395	S4
KIT 360TCFS	A217 *	234	\$601	S4	KIT 44TEBC-318	A700 *	242	\$3,465	S4	KIT HSD351024-NV	A711 *	243	\$1,395	S4
KIT 360TCFSR	A395 *	234	\$601	S4	KIT 56 EXPR BOX	A800 *	241	\$83	S4	KIT L449BBS-322	A795 *	242	\$1,421	S4
KIT 360TCFSR-841	A188 *	235	\$1,093	S4	KIT 56CDR-1	A435 *	233	\$33	S4	KIT L49TEBC	A796 *	242	\$3,465	S4
KIT 360TDFC	A637 *	236	\$852	S4	KIT 56CFR-1	A437 *	234	\$33	S4	KIT LDRDCR-M	A803 *	241	\$15	S4
KIT 360TSCDS	A219 *	233	\$601	S4	KIT 631475	A561 *	55, 236	\$43	S4	KIT LKSR02	A763 *	243	\$2,038	E3
KIT 360TSCFSR	A396 *	234	\$601	S4	KIT 635115	A569 *	55, 236	\$47	S4	KIT LKSR03	A764 *	243	\$2,038	E3
KIT 360TSCFSR-841	A189	235	\$1,093	S4	KIT 649R	A649 *	236	\$363	S4	KIT LKSR2048	A797	243	\$2,038	S4
KIT 360U	36U32T*	244	\$232	E3	KIT 650R	A650 *	236	\$638	S4	KIT LKSR512	A785 *	243	\$2,038	S4
KIT 364SB	364B2*	244	\$352	S4	KIT 651R	A651 *	236	\$638	S4	KIT LKSR-CFACE	A786 *	199, 243	\$2,241	E3
KIT 365SB	365B2*	244	\$352	S4	KIT 6BRK1	A307 *	237	\$419	S4	KIT M31023-FC	A754 *	243	\$2,500	S4
KIT 36TEBC	A696 *	242	\$2,779	S4	KIT 6BRK3	A302 *	237	\$419	S4	KIT M31023-NV	A753 *	243	\$2,500	S4
KIT 370-10	A376 *	239	\$10	S4	KIT 6BRK3A	A298 *	237	\$419	S4	KIT M561024-BC	A794 *	243	\$2,038	E3
KIT 370-15	A378 *	239	\$17	S4	KIT 711485	A562 *	55, 236	\$47	S4	KIT M561024BRK-140	A748 *	199, 243	\$2,038	E3
KIT 370-17.5	A379 *	239	\$17	S4	KIT 715130	A570 *	55, 236	\$55	S4	KIT M561024BRK-182	A749 *	199, 243	\$2,038	E3
KIT 370-20	A380 *	239	\$19	S4	KIT 8014100	A563 *	55, 236	\$53	S4	KIT M561024-NV	A793 *	243	\$2,038	E3
KIT 370-25	A381 *	239	\$21	S4	KIT 805165	A571 *	55, 236	\$60	S4	KIT M851024BRK-184	A750 *	199, 243	\$2,750	E3
KIT 370-3	A371 *	239	\$8	S4	KIT 9014115	A564 *	55, 236	\$58	S4	KIT M851024BRK-210	A751 *	199, 243	\$2,750	E3
KIT 370-30	A382 *	239	\$24	S4	KIT 903	A903 *	237	\$473	S4	KIT M851024BRK-250	A752 *	199, 243	\$2,750	E3
KIT 370-4	A372 *	239	\$8	S4	KIT 904	A904 *	237	\$528	S4	KIT SL561024-182NV	A789 *	199, 243	\$2,241	E3
KIT 370-5	A373 *	239	\$8	S4	KIT 905	A905 *	237	\$601	S4	KIT SL561024-184NV	A790 *	199, 243	\$2,750	E3
KIT 370-7.5	A375 *	239	\$10	S4	KIT 905165	A572 *	55, 236	\$63	S4	KIT SL561024-210NV	A791 *	199, 243	\$2,750	E3
KIT 3BRK1	A306 *	237	\$355	S4	KIT 906	A906 *	237	\$582	S4	KIT SL561024-250NV	A792 *	199, 243	\$2,750	E3
KIT 3BRK3	A301 *	237	\$355	S4	KIT 907	A907 *	237	\$657	S4	KIT STUBSHAFT 1/8"MM	A809	243	\$150	E3
KIT 3BRK3A	A297 *	237	\$355	S4	KIT 908	A908 *	237	\$729	S4	KIT STUBSHAFT 1"IN	A807 *	243	\$150	E3
KIT 400BRFS-316	A756 *	242	\$1,039	S4	KIT 909	A909 *	77, 237	\$674	S4	KIT VRT87BRK	A157 *	237	\$375	E3
KIT 400TCDS	A223 *	59, 233	\$657	S4	KIT 910	A910 *	77, 237	\$729	S4					
KIT 400TCFS	A223 *	234	\$657	S4	KIT 911	A911 *	77, 237	\$801	S1					
KIT 400TCFS-841	A190 *	235	\$1,200	S4	KIT A02H1024-BC LED	A668 *	243	\$1,450	E3					
KIT 400TDFS	A634 *	236	\$1,066	S4	KIT A02H2048-BC LED	A669 *	243	\$1,450	E3					
KIT 400TSCDS	A225 *	59, 233	\$657	S4	KIT A688-10	A688-10*	243	\$249	E3					
KIT 400TSCFS	A226 *	234	\$657	S4	KIT A688-50	A688-50*	243	\$647	E3					
KIT 400U	40U36T*	244	\$297	E3	KIT A690-15	A690-15*	243	\$206						
KIT 404SB	404B2*	244	\$514	S4	KIT BM10BRK	A313 *	237	\$775	S4					
KIT 405SB	405B2*	244	\$514	S4	KIT BM10BRK115	A318 *	237	\$775	S4					
KIT 40TEBC	A697 *	242	\$3,269	S4	KIT BM10BRK575	A316 *	237	\$775	S4					
KIT 440-10	A446	239	\$17	S4	KIT BM6BRK	A312 *	237	\$638	S4					
KIT 440-7.5	A445 *	239	\$15	S4	KIT BM6BRK115	A317 *	237	\$638	S4					
KIT 440BBFN	A760 *	242	\$1,366	S4	KIT BM6BRK575	A315 *	237	\$638	S4					

# Notes

# Marathon Electric Manufacturing Corporation

## MPN411 Terms and Conditions of Sale

**ALL QUOTATIONS ARE MADE AND ALL ORDERS ARE ACCEPTED BY MARATHON ELECTRIC MANUFACTURING CORPORATION SUBJECT ONLY TO THESE TERMS AND CONDITIONS.**

### 1. MODIFICATIONS OF SALES TERMS

Any Terms and Conditions contained in any purchase order or other form of communication from Marathon's customers which are additional to or different from these Terms and Conditions shall be deemed rejected by Marathon unless expressly accepted in writing by Marathon. In general, no modification, amendment, waiver or other change of any of these Terms and Conditions and those contained on the reverse side hereof and/or in attachments hereto ("Terms and Conditions"), or of any of Marathon's rights or remedies thereunder, shall be binding on Marathon unless expressly accepted in writing by Marathon's authorized officers. No course of dealing, usage of trade or course of performance shall be relevant to explain or supplement any of these Terms and Conditions. In case of conflict between the Terms and Conditions printed on this page and those contained on the face side or in attachments hereto, the latter shall control. If any document issued by any party hereto is sent by facsimile or another form of electronic document transmission, the parties hereto agree that (a) the copy of any such document printed on the facsimile machine or printer of the recipient thereof is a counterpart original copy thereof and is a "writing", (b) delivery of any such document to the recipient thereof by facsimile or such other form of electronic document transmission is authorized by the recipient thereof and is legally sufficient for all purposes as if delivered by United States mail, (c) the type-written name of an authorized agent of the party sending such document on any such document is sufficient as a signature thereon and behalf of such party and the intent of such signature is to authenticate the writing, and (d) an electronically stored and reproduced copy of any such document shall be deemed to be legally sufficient evidence of the terms of such document for all purposes.

### 2. ACCEPTANCE OF ORDERS

Acceptance by Marathon of Buyer's purchase order(s) is expressly conditioned upon Buyer's assent to these Terms and Conditions. Buyer will be deemed to have assented to such Terms and Conditions unless Marathon receives written notice of any objections within fifteen (15) days after Buyer's receipt of this form and in all events prior to any delivery or other performance by Marathon of Buyer's order.

### 3. QUOTATIONS

Quotations by Marathon shall be deemed to be offers by Marathon to sell the equipment described therein subject to these Terms and Conditions, and acceptance of such offers is expressly limited to acceptance by Buyer of all of these Terms and Conditions within thirty (30) days from the date of the quotation. Purchase orders submitted by Buyer for the equipment quoted by Marathon shall be subject to and will be deemed to constitute acceptance of these Terms and Conditions. All purchase orders will be subject to approval by Marathon.

### 4. PRICES; PRICE CHANGES

All prices are net F.O.B. shipping point and are subject to change without notice. In the event of a change in Marathon's prices, the price for equipment unshipped will be the price in effect on the date of shipment.

If Marathon's quoted price was based upon delivery to and acceptance by Buyer of a specified quantity of equipment, such price shall be subject to adjustment if Buyer does not accept the quantity at the times specified in Marathon's quotation, and Buyer will be invoiced at Marathon's standard price without quantity discounts, if any, for the quantity of equipment actually accepted by Buyer.

### 5. TAXES

In addition to any prices, Buyer shall pay the amount of any present or future manufacturer's tax, retailer's occupation tax, use tax, sales tax, excise tax, duty, custom, inspection or testing fee, or any other tax, fee or charge of any nature whatsoever imposed by any governmental authority, on or measured by the transaction between Marathon and Buyer. In the event Marathon is required to pay any such tax, fee or charge, Buyer shall reimburse Marathon therefor; or, in lieu of such payment, Buyer shall provide Marathon at the time the order is submitted with an exemption certificate or other document acceptable to the authority imposing such tax, fee or charge.

### 6. TERMS OF PAYMENT

All orders are subject to the approval of Marathon. Terms of payment are cash in full no later than thirty (30) days from date of shipment, without discount. If, during the period of performance of an order, the financial condition of Buyer is determined by Marathon not to justify the terms of payment specified, Marathon may demand full or partial payment in advance before proceeding with the work, or satisfactory security or guarantees that invoices will be promptly paid when due, or, at its option without prejudice to other lawful remedies, may defer delivery or cancel this contract. If delivery is deferred, the equipment may be stored as provided in Section 9 hereof and Marathon may submit a new estimate of cost for completion based on prevailing conditions. If Buyer defaults in any payment when due, or in the event any voluntary or involuntary bankruptcy or insolvency proceedings involving Buyer are initiated by or against Buyer, then the whole contract price shall immediately become due and payable upon demand, or Marathon, at its option without prejudice to its other lawful remedies, may defer delivery or cancel this contract.

Prorata payments shall become due as shipments are made. If shipments are delayed by the Buyer for any cause, payments shall become due from the date on which Marathon is prepared to make shipment and storage shall be the Buyer's risk and expense as provided in Section 9 hereof. If manufacture is delayed by the Buyer for any cause, a partial payment based upon the proportion of the order completed shall become due from the date on which Marathon is notified of the delay.

### 7. DELIVERY; RISK OF LOSS

All sales are F.O.B. Marathon's plant or other point of shipment designated by Marathon. Shipping dates are estimates only which are not guaranteed and are based upon prompt receipt from Buyer of all necessary shipping and other information. Marathon reserves the right to make delivery in installments, all installments to be separately invoiced and paid for by Buyer when due per invoice, without regard to subsequent deliveries.

Delivery of equipment to a commercial carrier at Marathon's plant or other loading point shall constitute delivery to Buyer, and any risk of loss and further cost and responsibility thereafter for claims, delivery, loss or damage, including, if applicable,



# Marathon Electric Manufacturing Corporation

## MPN411 Terms and Conditions of Sale

placement and storage, shall be borne by Buyer. When equipment is delivered by Marathon's truck, unloading at Buyer's dock shall constitute delivery to Buyer. Claims for shortages or other errors in delivery must be made in writing to Marathon within ten (10) days after receipt of shipment and failure to give such notice shall constitute unqualified acceptance and a waiver of all such claims by Buyer. Claims for loss or damage to equipment in transit by common carrier must be made to the carrier and not to Marathon.

Freight and handling charges by Marathon may not reflect actual freight charges prepaid to the carrier by Marathon due to incentive discounts earned by Marathon based upon Marathon's aggregate volume of freight tendered to a carrier or when a carrier must be used which charges a rate which is different than the rate upon which Marathon's freight and handling charges were based. When shipments are delivered in Marathon's private trucks, Buyer will be charged an amount approximating the prevailing common carrier rate.

### 8. EXCUSABLE DELAYS; FORCE MAJEURE

Marathon shall not be liable for any ordinary, incidental, or consequential loss or damage as a result of Marathon's delay in or failure of delivery or installation due to (i) any cause beyond Marathon's reasonable control, (ii) an act of God, act of the Buyer, embargo or other government act, authority, regulation or request, fire, theft, accident, strike, slowdown or other labor disturbance, war, riot, delay in transportation, or (iii) inability to obtain necessary labor, materials, components, or facilities.

Should any of the aforementioned events of force majeure occur, Marathon, at its option, may cancel Buyer's order with respect to any undelivered equipment or extend the delivery date for a period equal to the time lost because of delay. Notice of such election shall be given promptly to Buyer. In the event Marathon elects to so cancel the order, Marathon shall be released of and from all liability for failure to deliver the equipment, including, but not limited to, any and all claims on behalf of Buyer for lost profits, or any other claim of any nature which Buyer might have.

If shipping or progress of the work is delayed or interrupted by Buyer, directly or indirectly, Buyer shall pay Marathon for all additional charges resulting therefrom.

### 9. STORAGE

If the equipment is not shipped within thirty (30) days after notification has been made to Buyer that it is ready for shipping, for any reason beyond Marathon's control, including Buyer's failure to give shipping instructions, Marathon may store the equipment at Buyer's risk and expense in a warehouse or on Marathon's premises, and Buyer shall pay all handling, transportation and storage costs at the prevailing commercial rates promptly following Marathon's submission of invoices for such costs.

### 10. WARRANTIES TO DISTRIBUTORS AND INDUSTRIAL OR COMMERCIAL CUSTOMERS

This warranty is extended only to Marathon's distributors and industrial or commercial customers and does not apply to consumer purchasers.

**Warranty Period** - (a) Marathon warrants the Fractional motors and Integral motors manufactured by or for it to be free

from defects in materials and workmanship and to conform to Marathon's written specifications for a period of 12 months from date of first use, 18 months from date of manufacture, whichever period shall expire first. (b) Marathon warrants special products, as listed below, to be free from defects in materials and workmanship and to conform to Marathon's written specifications.

- Blue Chip® Severe Duty Explosion Proof and EPAct compliant motors, 24 months from date of first use, 30 months from date of manufacture, whichever period shall expire first.
- Blue Max®, Black Max®, microMAX™ Inverter Duty motors and all XRI® motors, 36 months from date of first use, 42 months from date of manufacture, whichever period shall expire first.
- U-Frame Automotive Duty and IEEE-841 motors, 60 months from date of first use, 66 months from date of manufacture, whichever period shall expire first.

**Warranty Remedies** - If, prior to expiration of the foregoing applicable warranty period, any of such products shall be proved to Marathon's satisfaction to be defective or nonconforming, Marathon will repair or replace such defective equipment or components thereof, F.O.B. Marathon's plant or other destination designated by Marathon, or will refund or provide Buyer with a credit in the amount of the purchase price paid therefor by Buyer, at Marathon's sole option. Buyer's exclusive remedy and Marathon's sole obligation under this warranty shall be limited to such repair or replacement, F.O.B. Marathon's plant or other destination designated by Marathon, or refund or credit by Marathon, and shall be conditioned upon Marathon's receiving written notice of any defect within a reasonable period of time (but in no event more than sixty (60) days) after it was discovered or by reasonable care should have been discovered. In no event shall Marathon's liability for such defective or nonconforming products exceed the purchase price paid by Buyer therefor.

**Exclusions** - This warranty does not (i) cover shipping expenses to and from Marathon's factory or other destination designated by Marathon for repair or replacement of defective equipment or any tax, duty, custom, inspection or testing fee, or any other charge of any nature related thereto, nor does it cover the costs of disassembling or removing defective equipment or reassembling, reinstalling, or testing repaired or replaced equipment or finishing the reinstallation thereof, (ii) apply and shall be void with respect to equipment operated in excess of rated capacity or otherwise not in accordance with installation, maintenance, or operating instructions or requirements, to equipment repaired or altered by others than Marathon or Marathon's authorized service agencies, or to equipment which was subjected to abuse, negligence, misuse, misapplication, accident, damages by circumstances beyond Marathon's control, to improper installation (if by others than Marathon), operation, maintenance or storage, or to other than normal use or service, and (iii) apply to equipment or components not manufactured by or for Marathon. With respect to equipment or components not manufactured by Marathon, Marathon's warranty obligations shall in all respects conform and be limited to the warranty actually extended to Marathon by its suppliers, but in no event shall Marathon's obligations be greater than those provided under Marathon's warranty set forth in this Section 10.

**THE FOREGOING WARRANTIES ARE IN LIEU OF ALL OTHER EXPRESS AND IMPLIED WARRANTIES (EXCEPT**

# Marathon Electric Manufacturing Corporation

## MPN411 Terms and Conditions of Sale

**TITLE), INCLUDING, WITHOUT LIMITATION, THE IMPLIED WARRANTIES OF MERCHANTABILITY AND FITNESS FOR A PARTICULAR PURPOSE. NO EMPLOYEE, REPRESENTATIVE, OR AGENT OF MARATHON OTHER THAN AN OFFICER OF MARATHON IS AUTHORIZED TO ALTER OR MODIFY ANY PROVISION OF THIS SECTION 10 OR TO MAKE ANY GUARANTEE, WARRANTY, OR REPRESENTATION, EXPRESS OR IMPLIED, ORALLY OR IN WRITING, WHICH IS CONTRARY TO THE FOREGOING.** Any description of the equipment, whether in writing or made orally by Marathon or Marathon's agents, specifications, samples, models, bulletins, drawings, diagrams, engineering sheets or similar materials used in connection with Buyer's order are for the sole purpose of identifying the equipment and shall not be construed as an express warranty. Any suggestions by Marathon or Marathon's agents regarding use, application or suitability of the equipment shall not be construed as an express warranty unless confirmed to be such in writing by Marathon's authorized officer.

### **11. LIMITATIONS OF LIABILITY; CONSEQUENTIAL DAMAGES**

**Nuclear Use Disclaimer** - Equipment sold by Marathon is not intended for use in connection with any nuclear facility or activity. If so used, Marathon disclaims all liability for any nuclear damage, injury or contamination, and Buyer shall indemnify and hold Marathon, its officers, agents, employees, successors, assigns and customers harmless from and against any and all losses, damages or expenses of whatever form or nature (including attorneys' fees and other costs of defending any action) which they or any of them may sustain or incur, whether as a result of breach of contract, warranty, tort (including negligence) or otherwise, by reason of such use.

**Consequential Damage Disclaimer** - Marathon's liability with respect to equipment proved to its satisfaction to be defective within the warranty period shall be limited to repair, replacement or refund as provided in Section 10 hereof, and in no event shall Marathon's liability exceed the purchase price of the equipment involved. Marathon shall not be subject to any other obligations or liabilities, whether arising out of breach of contract, warranty, tort (including negligence) or other theories of law, with respect to equipment sold or services rendered by Marathon, or any undertakings, acts or omissions relating thereto. Without limiting the generality of the foregoing, Marathon specifically disclaims any liability for property or personal injury damages, penalties, special or punitive damages, damages for lost profits or revenues, loss of use of equipment or any associated equipment, cost of capital, cost of substitute products, facilities or services, downtime, shutdown, or slow-down costs, or for any other types of economic loss, and for claims of Buyer's customers for any such damages.

**MARATHON SHALL NOT BE LIABLE FOR AND DISCLAIMS ALL CONSEQUENTIAL, INCIDENTAL AND CONTINGENT DAMAGES WHATSOEVER. EVEN IF THE REPAIR OR REPLACEMENT REMEDY SHALL BE DEEMED TO HAVE FAILED OF ITS ESSENTIAL PURPOSE UNDER SECTION 2-719 OF THE UNIFORM COMMERCIAL CODE, MARATHON SHALL HAVE NO LIABILITY TO BUYER FOR CONSEQUENTIAL DAMAGES, SUCH AS LOST PROFITS, LOST REVENUE, DAMAGE TO OTHER EQUIPMENT OR LIABILITY OR INJURY TO A THIRD PARTY.**

### **12. INDEMNIFICATION BY BUYER**

Buyer shall indemnify, hold harmless, and defend Marathon and Marathon's employees and agents from and against any and all damages, liability, claims, losses, and expenses (including reasonable attorneys' fees, court costs, and out-of-pocket expenses) arising out of or resulting in any way from claims by customers of Buyer or third parties against Marathon alleging a breach of contract or warranty by Marathon to the extent that such damages, liability, claims, losses, and expenses which may be payable by Marathon to Buyer pursuant to and as limited by Marathon's warranty and damage obligations as contained in Sections 10 and 11 hereof so as to effectively limit Marathon's obligations to customers of Buyer or third parties to those set forth in Sections 10 and 11 hereof.

### **13. PATENT INDEMNIFICATION**

Marathon will, at its own expense, defend or settle any suits that may be instituted against Buyer for alleged infringement by the equipment of any United States patent, provided that (a) such alleged infringements consist of the use of the equipment for any of the purposes for which such equipment was sold, (b) Buyer shall have made all payments for such equipment then due hereunder, (c) Buyer shall give Marathon immediate notice in writing of any such suit and transmit to Marathon immediately upon receipt all processes and papers served upon Buyer, and (d) Buyer shall permit Marathon through its counsel, either in the name of Buyer or in the name of Marathon, to defend such suit(s) and give all needed information, assistance and authority to enable Marathon to do so.

In case of a final award of damages in any such suit, Marathon will pay such award but will not be responsible for any compromise or settlement made without its written consent. In case the equipment itself is in such suit held to infringe any valid patent issued in the United States and its use enjoined, or in the event of a settlement or compromise approved by Marathon which shall preclude future use of the equipment sold to Buyer hereunder, Marathon shall, at its own expense and at its sole option, either (a) procure rights to continue using such equipment, (b) modify the equipment to render it non-infringing, (c) replace the equipment with non-infringing equipment or (d) refund the purchase price paid by Buyer for the equipment after return of the equipment to Marathon. Notwithstanding the foregoing, Marathon shall not be held responsible for infringements of combination or process patents covering the use of equipment in combination with other goods or materials not furnished by Marathon.

The foregoing states the entire liability of Marathon for patent infringement, and **IN NO EVENT SHALL MARATHON BE LIABLE FOR CONSEQUENTIAL OR INCIDENTAL DAMAGES ATTRIBUTABLE TO AN INFRINGEMENT** nor for infringement based on the use of the equipment for a purpose other than that for which sold by Marathon. As to any equipment furnished by Marathon to Buyer manufactured in accordance with designs proposed or furnished by Buyer or any claim of contributory infringement resulting from the use or resale by Buyer of equipment sold hereunder, Buyer shall indemnify Marathon for any award made against Marathon or settlement by Marathon for any patent, trademark or copyright infringements, including attorneys' fees and defense costs.

# Marathon Electric Manufacturing Corporation

## MPN411 Terms and Conditions of Sale

### 14. SECURITY AGREEMENT AND FINANCING STATEMENTS

To secure payment of the purchase price and of all monies which may be due hereunder, and performance of all of Buyer's obligations hereunder, Buyer hereby grants to Marathon a security interest in all equipment sold by Marathon, and agrees to execute such other Security Agreements and Financing Statements as Marathon may reasonably request.

### 15. INSURANCE

Until payment in full of the purchase price, Buyer shall maintain insurance covering all equipment sold by Marathon to Buyer in such amounts and against such risks as is customary by companies engaged in the same or similar business and similarly located, and shall, upon Marathon's request, furnish evidence of such insurance satisfactory to Marathon.

### 16. DRAWINGS; OTHER DESIGN DATA

All specifications, drawings, designs, data, information, ideas, methods, tools, gages, dies, fixtures, patterns and/or inventions made, conceived, developed or acquired by Marathon in connection with procuring and/or executing Buyer's order will vest in and inure to Marathon's sole benefit notwithstanding any changes therefor which may have been or may be imposed by Marathon.

Buyer shall not give, loan, exhibit, sell or transfer to any person not then employed by Buyer and authorized to receive such information, or to any organization or entity, any drawing, photograph or specification furnished by Marathon or reproduction thereof which may enable such person, organization or entity to furnish similar goods or parts therefor.

### 17. RETURN OF EQUIPMENT

No equipment or part shall be returned to Marathon without written authorization and shipping instructions first having been obtained from Marathon.

### 18. ASSIGNMENT AND SUBCONTRACTING

None of the Buyer's rights under any order shall be assigned by the Buyer to any other person, whether by operation of law or otherwise, without Marathon's prior written approval.

Marathon may, without the necessity of obtaining Buyer's prior written consent, subcontract the production of all or any portion of the equipment.

### 19. CANCELLATION

No order submitted to Marathon may be cancelled by Buyer without the prior written consent of Marathon, which consent will at all times be conditioned on Buyer's agreement to pay Marathon's cancellation charge. For finished equipment which in Marathon's judgment is readily resalable to others, the cancellation charge shall be 15% of the invoice price of the equipment. For all other cancellations, the cancellation charge shall amount to all costs and expenses incurred by Marathon and arising out of or in connection with Buyer's order, net of recoverability, but in no event less than 10% of the invoice price of the equipment or more than the invoice price.

### 20. GENERAL

**Governing Law** - These Terms and Conditions, and the contract of sale between Marathon and Buyer, shall be governed by and construed in accordance with the laws of the State of Wisconsin. Marathon and Buyer hereby agree that any legal action deemed necessary by either party hereto shall be brought in the Circuit Court in and for Marathon County, Wisconsin and hereby consent to the personal jurisdiction of such court in any such action over the parties hereto. The rights and obligations of Marathon and Buyer shall not be governed by the provisions of the United Nations Convention on Contracts for the International Sale of Goods.

**Attorneys' Fees** - Buyer agrees to pay all of Marathon's costs and expenses of collection and related litigation, including but not limited to attorneys' fees and costs.

**Salvatory Clause** - The invalidity, in whole or in part, of any of the provisions of these Terms and Conditions, shall not affect the enforceability of any of the other provisions thereof.

**Applicability** - The Terms and Conditions as stated herein are applicable as of the date of this printing and until such time as changed by Marathon.

Revised, January 2004

## Important Information

### Resale of Goods

In the event of the resale of any of the goods, in whatever form, Resellers/Buyers will include the following language in a conspicuous place and in a conspicuous manner in a written agreement covering such sale:

The manufacturer makes no warranty or representations, express or implied, by operation of law or otherwise, as to the merchantability or fitness for a particular purpose of the goods sold hereunder. Buyer acknowledges that it alone has determined that the goods purchased hereunder will suitably meet the requirements of their intended use. In no event will the manufacturer be liable for consequential, incidental or other damages. Even if the repair or replacement remedy shall be deemed to have failed of its essential purpose under Section 2-719 of the Uniform Commercial Code, the manufacturer shall have no liability to Buyer for consequential damages.

Resellers/Buyers agree to also include this entire document including the warnings and cautions above in a conspicuous place and in a conspicuous manner in writing to instruct users on the safe usage of the product.

This information should be read together with all other printed information supplied by Marathon Electric.



For more information contact: **Marathon Electric Manufacturing Corporation**, Subsidiary of REGAL-BELOIT CORPORATION, 100 E. Randolph St., Wausau, WI 54401 Phone: 715-675-3311 or Fax: 715-675-8030.

# IMPORTANT INFORMATION



## Please Read Carefully

This catalog is not intended to provide operational instructions. Appropriate Marathon Electric instructions provided with the motor and precautions attached to the motor should be read carefully prior to installation, operation and/or maintenance of the equipment. Injury to personnel or motor failure may be caused by improper installation, maintenance or operation.

**The following  and  information is supplied to you for your protection and to provide you with many years of trouble free and safe operation of your Marathon Electric product:**



- Disconnect power and lock out driven equipment before working on a motor.
- Always keep hands and clothing away from moving parts.
- The lifting support on the motor is not to be used to lift the entire machine. Only the motor attached directly to the support may be safely lifted by the support.
- Install and ground per local and national codes.
- Discharge all capacitors before servicing a single phase motor.
- Misapplication of a motor in a hazardous environment can cause fire or an explosion and result in serious injury. Only the end user, local authority having jurisdiction, and/or insurance underwriter are qualified to identify the appropriate class(es), group(s), division and temperature code. Marathon Electric personnel can not evaluate or recommend what motors may be suitable for use in hazardous environments. If a motor is nameplated for hazardous locations, do not operate the motor without all of the grease and drain plugs installed.
- Never attempt to measure the temperature rise of a motor by touch. Temperature rise must be measured by thermometer, resistance, imbedded detector or thermocouple.
- Motors with automatic reset thermal protectors will automatically restart when the protector temperature drops sufficiently. Do not use motors with automatic reset thermal protectors in applications where automatic restart will be hazardous to personnel or equipment.
- Motors with manual reset thermal protectors may start unexpectedly after the protector trips when the surrounding air is at +20°Fahrenheit or lower. If the manual reset protector trips, disconnect motor from its power supply. After the protector cools (five minutes or more), it can be reset and power may be applied to the motor.
- Connect all protective device leads, marked P1, P2, etc., per instructions supplied with the motor.
- Operation of a motor at other than its nameplate rating may result in fire, damage to equipment or serious injury to personnel.
- For safety, Buyer or User should provide protective guards over all shaft extensions and any moving apparatus mounted thereon. The User is responsible for checking all applicable safety codes in his area and providing suitable guards. Failure to do so may result in bodily injury and/or damage to equipment.



- Consult qualified personnel with questions and all electrical repairs must be performed by trained and qualified personnel only.
- For motors nameplated as “belted duty only”, do not operate the motor without belts properly installed.
- Motors and/or driven equipment should not be operated faster than their rated speed.
- For inverter applications, follow the inverter manufacturer’s installation guidelines.
- Make sure the motor is properly secured and aligned before operation.





# Notes

# The Blue Chip® Motor Group:

**Motors for the Long Run!**

Specifications	Features	Blue Chip®	XRI®	XRI®-SD	XRI®-841
Enclosures	143-145T frame TENV ▪ 182T-449T frame TEFC	✓	✓	✓	✓
Construction	Cast iron frames and end shields	✓	✓	✓	✓
Fan (External)	Non-sparking polypropylene			✓	✓
	Non-sparking polypropylene 364T-449T	✓	✓		
Fan Guard	Cast iron			✓	✓
	Polypropylene 182T-286T ▪ Cast iron 324T-449T	✓	✓		
Conduit Box	Steel 143T-326T ▪ Cast iron 364T-449T	✓	✓		
	Cast iron, oversized, fully gasketed with NPT threaded opening			✓	✓
Bearings & Lubrication	Shielded ball bearings ▪ Select ratings above 125 HP have roller bearing on drive-end ▪ C-3 fit with premium Mobil Polyrex EM grease (-30°C to +150°C)	✓	✓	✓	✓
	Zerk fittings			✓	✓
	Extended grease tubes for regreasing without disassembly			✓	✓
Bearing Caps	Cast iron, 254T-449T frame			✓	✓
	Cast iron, 444T-449T frame	✓	✓		
Drains	Corrosion resistant brass drain and breather			✓	✓
	Drilled and tapped hole		✓		
	Drain hole 143T-326T ▪ Drilled and tapped hole 364T-449T	✓			
Slinger	Molded neoprene slinger on shaft end	✓	✓	✓	
Voltage	230/460 volt through 100 HP ▪ 460 volt - 125 HP & above	✓	✓		
	575 volt available ▪ 230/460 volt available	✓	✓	✓	
Leads	460 volt or 575 volt, 3 leads			✓	✓
	Lead lugs standard 364T frame and larger	✓	✓	✓	✓
Service Factor (Sine Wave)	Permanently marked leads with lead separator	✓	✓	✓	✓
	1.15	✓	✓	✓	✓
Insulation	1.25 (through 40 HP)		✓	✓	✓
	Non-hygroscopic class F insulation ▪ 449T class H insulation	✓	✓		
Inverter Duty	MAX GUARD®			✓	✓
	Rated for 10:1 VT or 20:1 CT VFD		✓	✓	✓
Nameplate	Nameplated for 10:1 VT, 2:1 CT or 10:1 CT VFD				✓
	Stainless steel - includes NEMA nom. eff., power factor	✓	✓	✓	✓
Marine Duty	AFBMA bearing identification plate			✓	✓
	Meets IEEE45 and USCG			✓	✓
Agency Listings	Meets API RP14F for offshore platforms			✓	✓
	UL recognized file no. E49747 and CSA certified	✓	✓	✓	✓
Division 2	CSA certification nameplate, Class I Groups A, B, C, & D, Temperature code: T2B			✓	✓
Seals	Inpro/Seal® VBX® Bearing Isolators on drive end of TENV and on both ends of TEFC				✓
Epoxy Finish	Internal and external corrosion resistant epoxy			✓	✓
Hardware	Corrosion resistant zinc dichromate plated hex head hardware ▪ Lifting provisions, 182T-449T frame	✓	✓	✓	✓
Ground	Ground lug provision in conduit box	✓	✓	✓	✓
	External grounding provision				✓
Balance	Special balance average .03 in/sec			✓	✓
Warranty	24 mo. from date of first use.,30 mo. from date of manufacture	✓			
	36 mo. from date of first use.,42 mo. from date of manufacture		✓		
	60 mo. from date of first use.,66 mo. from date of manufacture			✓	
	Optional extended warranty			✓	✓
Motor Testing	Actual short commercial test data supplied with each motor		✓		
	Actual short commercial test data plus max. vibration test supplied with each motor			✓	
	Actual short commercial test data plus 2 additional vibration tests are supplied with each motor				✓



**Blue Chip®**  
Meets EPACT and Canadian NRCAN



**Blue Chip® XRI® - Ultra High**  
★ Meets NEMA Premium® Levels



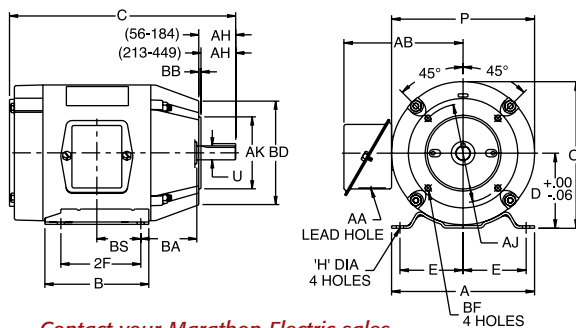
**Blue Chip® XRI® - Severe Duty**  
★ Meets NEMA Premium® Levels



**Blue Chip® XRI®-841**  
Meets IEEE 841 Motor Specifications  
★ Meets NEMA Premium® Levels

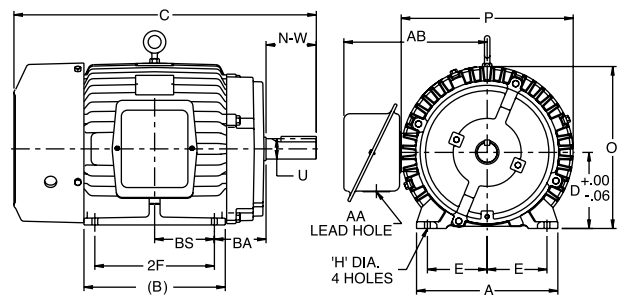
# NEMA Quick Reference Dimensional Chart

## Typical C-Face Motor



NEMA C-Face	BA Dimensions
143-5TC	2-3/4
182-4TC	3-1/2
213-5TC	4-1/4
254-6TC	4-3/4

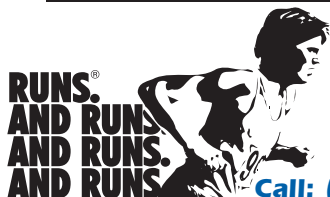
## Typical Rigid Base Motor



Contact your Marathon Electric sales representative for "AB", "O", & "P" Dimensions.

Refer to your Marathon Electric catalog for "C" Dimensions.

FRAME	D	E	2F	H	U	N-W	AA	AH	AJ	AK	BA	BB (MIN)	BD (MAX)	BF
48	3.00	2.12	2.75	.34 SLOT	.5000	1.50	1/2	1.69	3.750	3.000	2.50	.13	5.62	1/4-20
56	3.50	2.44	3.00	.34 SLOT	.6250	1.88	1/2	2.06	5.875	4.500	2.75	.13	6.50	3/8-16
56H	3.50	2.44	5.00	.34 SLOT	.6250	1.88	1/2	2.06	5.875	4.500	2.75	.13	6.50	3/8-16
143T	3.50	2.75	4.00	.34	.8750	2.25	3/4	2.12	5.875	4.500	2.25	.13	6.50	3/8-16
145T	3.50	2.75	5.00	.34	.8750	2.25	3/4	2.12	5.875	4.500	2.25	.13	6.50	3/8-16
182	4.50	3.75	4.50	.41	.8750	2.25	3/4	2.12	5.875	4.500	2.75	.13	6.50	3/8-16
184	4.50	3.75	5.50	.41	.8750	2.25	3/4	2.12	5.875	4.500	2.75	.13	6.50	3/8-16
182T	4.50	3.75	4.50	.41	1.125	2.75	3/4	2.62	7.250	8.500	2.75	.25	9.00	1/2-13
184T	4.50	3.75	5.50	.41	1.125	2.75	3/4	2.62	7.250	8.500	2.75	.25	9.00	1/2-13
213	5.25	4.25	5.50	.41	1.125	3.00	1	2.75	7.250	8.500	3.50	.25	9.00	1/2-13
215	5.25	4.25	7.00	.41	1.125	3.00	1	2.75	7.250	8.500	3.50	.25	9.00	1/2-13
213T	5.25	4.25	5.50	.41	1.375	3.38	1	3.12	7.250	8.500	3.50	.25	9.00	1/2-13
215T	5.25	4.25	7.00	.41	1.375	3.38	1	3.12	7.250	8.500	3.50	.25	9.00	1/2-13
254U	6.25	5.00	8.25	.53	1.375	3.75	1-1/4	3.50	7.250	8.500	4.25	.25	10.00	1/2-13
256U	6.25	5.00	10.00	.53	1.375	3.75	1-1/4	3.50	7.250	8.500	4.25	.25	10.00	1/2-13
254T	6.25	5.00	8.25	.53	1.625	4.00	1-1/4	3.75	7.250	8.500	4.25	.25	10.00	1/2-13
256T	6.25	5.00	10.00	.53	1.625	4.00	1-1/4	3.75	7.250	8.500	4.25	.25	10.00	1/2-13
284U	7.00	5.50	9.50	.53	1.625	4.88	1-1/2	4.62	9.000	10.500	4.75	.25	11.25	1/2-13
286U	7.00	5.50	11.00	.53	1.625	4.88	1-1/2	4.62	9.000	10.500	4.75	.25	11.25	1/2-13
284T	7.00	5.50	9.50	.53	1.875	4.62	1-1/2	4.38	9.000	10.500	4.75	.25	11.25	1/2-13
286T	7.00	5.50	11.00	.53	1.875	4.62	1-1/2	4.38	9.000	10.500	4.75	.25	11.25	1/2-13
284TS	7.00	5.50	9.50	.53	1.625	3.25	1-1/2	3.00	9.000	10.500	4.75	.25	11.25	1/2-13
286TS	7.00	5.50	11.00	.53	1.625	3.25	1-1/2	3.00	9.000	10.500	4.75	.25	11.25	1/2-13
324U	8.00	6.25	10.50	.66	1.875	5.62	2	5.38	11.000	12.500	5.25	.25	14.00	5/8-11
326U	8.00	6.25	12.00	.66	1.875	5.62	2	5.38	11.000	12.500	5.25	.25	14.00	5/8-11
324T	8.00	6.25	10.50	.66	2.125	5.25	2	5.00	11.000	12.500	5.25	.25	14.00	5/8-11
326T	8.00	6.25	12.00	.66	2.125	5.25	2	5.00	11.000	12.500	5.25	.25	14.00	5/8-11
324TS	8.00	6.25	10.50	.66	1.875	3.75	2	3.50	11.000	12.500	5.25	.25	14.00	5/8-11
326TS	8.00	6.25	12.00	.66	1.875	3.75	2	3.50	11.000	12.500	5.25	.25	14.00	5/8-11
364U	9.00	7.00	11.25	.66	2.125	6.38	2-1/2	6.12	11.000	12.500	5.88	.25	14.00	5/8-11
365U	9.00	7.00	12.25	.66	2.125	6.38	2-1/2	6.12	11.000	12.500	5.88	.25	14.00	5/8-11
364T	9.00	7.00	11.25	.66	2.375	5.88	2-1/2	5.62	11.000	12.500	5.88	.25	14.00	5/8-11
365T	9.00	7.00	12.25	.66	2.375	5.88	2-1/2	5.62	11.000	12.500	5.88	.25	14.00	5/8-11
364TS	9.00	7.00	11.25	.66	1.875	3.75	2-1/2	3.50	11.000	12.500	5.88	.25	14.00	5/8-11
365TS	9.00	7.00	12.25	.66	1.875	3.75	2-1/2	3.50	11.000	12.500	5.88	.25	14.00	5/8-11
404U	10.00	8.00	12.25	.81	2.375	7.12	3	6.88	11.000	12.500	6.62	.25	15.50	5/8-11
405U	10.00	8.00	13.75	.81	2.375	7.12	3	6.88	11.000	12.500	6.62	.25	15.50	5/8-11
404T	10.00	8.00	12.25	.81	2.875	7.25	3	7.00	11.000	12.500	6.62	.25	15.50	5/8-11
405T	10.00	8.00	13.75	.81	2.875	7.25	3	7.00	11.000	12.500	6.62	.25	15.50	5/8-11
404TS	10.00	8.00	12.25	.81	2.125	4.25	3	4.00	11.000	12.500	6.62	.25	15.50	5/8-11
405TS	10.00	8.00	13.75	.81	2.125	4.25	3	4.00	11.000	12.500	6.62	.25	15.50	5/8-11
444U	11.00	9.00	14.50	.81	2.875	8.62	3	8.38	14.000	16.000	7.50	.25	18.00	5/8-11
445U	11.00	9.00	16.50	.81	2.875	8.62	3	8.38	14.000	16.000	7.50	.25	18.00	5/8-11
444T	11.00	9.00	14.50	.81	3.375	8.50	3	8.25	14.000	16.000	7.50	.25	18.00	5/8-11
445T	11.00	9.00	16.50	.81	3.375	8.50	3	8.25	14.000	16.000	7.50	.25	18.00	5/8-11
444TS	11.00	9.00	14.50	.81	2.375	4.75	3	4.50	14.000	16.000	7.50	.25	18.00	5/8-11
445TS	11.00	9.00	16.50	.81	2.375	4.75	3	4.50	14.000	16.000	7.50	.25	18.00	5/8-11
447T	11.00	9.00	20.00	.81	3.375	8.50	3	8.25	14.000	16.000	7.50	.25	18.00	5/8-11
449T	11.00	9.00	25.00	.81	3.375	8.50	3	8.25	14.000	16.000	7.50	.25	18.00	5/8-11
447TS	11.00	9.00	20.00	.81	2.375	4.75	4 NPT	4.50	14.000	16.000	7.50	.25	18.00	5/8-11
449TS	11.00	9.00	25.00	.81	2.375	4.75	4 NPT	4.50	14.000	16.000	7.50	.25	18.00	5/8-11



100 East Randolph St. ■ P.O. Box 8003 ■ Wausau, Wisconsin 54402

Call: (715) 675-3311 ■ Fax: (715) 675-8030 ■ [www.marathonelectric.com](http://www.marathonelectric.com)