

CFB17, CFB21, CFB24

COUNTERFLOW FLOOR BASE KIT

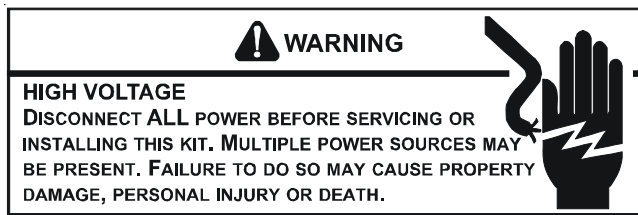
INSTALLATION INSTRUCTIONS

DESCRIPTION

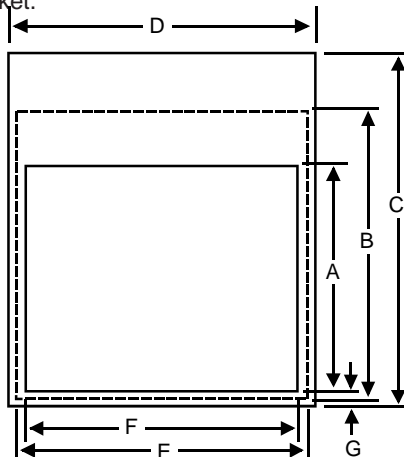
The Counterflow Floor Base (CFB) accessory prevents excessive temperatures from reaching combustible materials by effectively separating the furnace base and plenum from the combustible material. This accessory must be used if the furnace is installed on a combustible floor. To ensure a safe installation, do not install the counterflow floor base directly on carpeting, tile, or other combustible material other than wood flooring and follow the instructions below.

KIT INSTALLATION

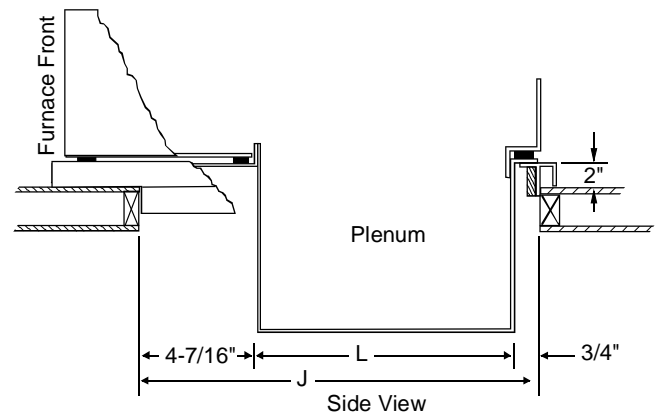
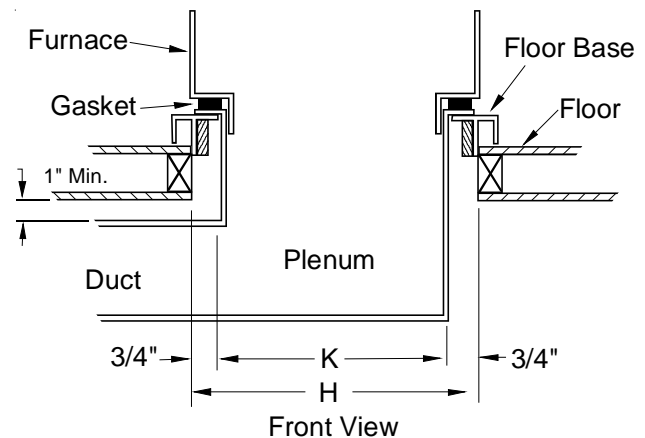
Ensure all parts are included before beginning. If parts are missing contact the dealer where the kit was purchased.



1. Determine the location for the furnace.
2. Cut the floor opening to the dimensions shown in the table below to match the furnace being installed.
3. Set the base into the opening and secure to the floor.
4. Size the plenum chamber as shown in table below. Bend a 5/8 inch outward flange on the back and sides of the open end and insert the plenum through the floor base opening so the flange supports rest on the counterflow floor base top.
5. Attach gasket to the top of the counterflow floor base flange and position the furnace over the base taking care not to damage gasket.



CFB	MODELS	DIMENSIONS, INCHES						
		A	B	C	D	E	F	G
CFB17	B width models	18-9/16	23-3/4	29	18-1/2	17-1/2	16	1-11/32
CFB21	C width models	18-9/16	23-3/4	29	22	21	19 1/2	1-11/32
CFB24	D width models	18-9/16	23-3/4	29	25-1/2	24-1/2	23	1-11/32



FURNACE MODEL	COUNTERFLOW BASE NO.	Floor Opening		Plenum Size	
		H	J	K	L
B width models	CFB17	17-1/2	23-3/4	16	18-9/16
C width models	CFB21	21	23-3/4	19-1/2	18-9/16
D width models	CFB24	24-1/2	23-3/4	23	18-9/16

Goodman Manufacturing Company, L.P.
 5151 San Felipe, Suite 500, Houston, TX 77056
www.daikincomfort.com, www.goodmanmfg.com and www.amana-hac.com
 © 2004-2009, 2013 Goodman Manufacturing Company, L.P.

