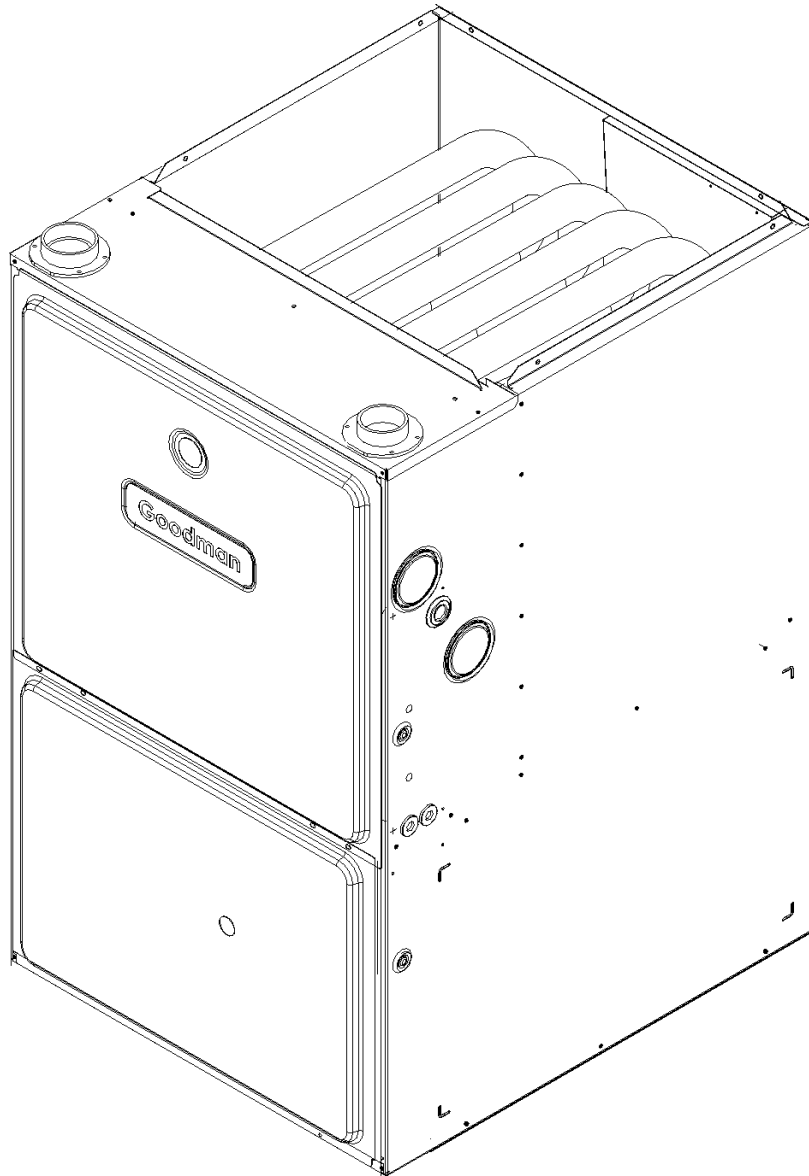


GKS9 Single Stage PSC Upflow Furnace

GKS90453BXAA
GKS90453BXAB
GKS90453BXAC
GKS90703BXAA
GKS90703BXAB
GKS90703BXAC
GKS90703BXAD
GKS90703BXAE
GKS90704XAA
GKS90704XAB
GKS90704XAC
GKS90904XAA
GKS90904XAB
GKS90904XAC
GKS90904XAD
GKS90904XAE
GKS90905DXAA
GKS90905DXAB
GKS90905DXAC
GKS91155DXAA
GKS91155DXAB
GKS91155DXAC
GKS91155DXAD



This manual is to be used by qualified technicians only.

This manual replaces RP-410E.

© 2006-2008 Goodman Manufacturing Company, L.P. ♦ 5151 San Felipe, Suite 500 ♦ Houston, TX 77056

**PARTS WITH A RED CHECK MARK ARE LINKED TO THE SHOPPING CART.
FOR OTHERS, USE THE CONTACT US FORM FOR PRICE AND AVAILABILITY.**

Functional Parts

Part No:	Description:	Expanded Model Nomenclature
✓ B1340024S	BLOWER MOTOR 1/2 HP, 4 SP, 6 PL (M9, M10, M11, M12, M13, M14, M15, M16)	M1 - GKS90453BXAA
✓ 0131F00020	BLOWER MOTOR 1/3 HP, 4 SP, 6 PL (M1, M2, M3, M4, M5, M6, M7, M8)	M2 - GKS90453BXAB
10759415S	BLOWER MOTOR 3/4 HP, 4 SP, 8 PL (M17, M18, M19, M20, M21, M22, M23)	M3 - GKS90453BXAC
CAP125000370VAS	CAPACITOR 12.5/370V (M1, M2, M3, M4, M5, M6, M7, M8)	M4 - GKS90703BXAA
CAP150000370VAS	CAPACITOR 15/370V (M17, M18, M19, M20, M21, M22, M23)	M5 - GKS90703BXAB
CAP200000370VAS	CAPACITOR 20/370V (M9, M10, M11, M12, M13, M14, M15, M16)	M6 - GKS90703BXAC
0130F00010	FLAME SENSOR	M7 - GKS90703BXAD
✓ 0130F00005S	IGNITION BOARD, HSI INTEGRATED	M8 - GKS90703BXAE
✓ 20165703S	IGNITOR	M9 - GKS90704CXAA
✓ B1370818	INTERLOCK SWITCH	M10 - GKS90704CXAB
10123535	MANUAL RESET LIMIT (M1, M2, M3, M4, M5, M6, M7, M8, M9, M10, M11, M12, M13, M14, M15, M16, M17, M18, M19)	M11 - GKS90704CXAC
✓ 10123533	MANUAL RESET LIMIT	M12 - GKS90904CXAA
✓ 20197312	PRESSURE SWITCH-LIGHT BLUE (M1, M9, M17)	M13 - GKS90904CXAB
✓ 0130F00002P	PRESSURE SWITCH-OLIVE (M16)	M14 - GKS90904CXAC
✓ 20197310	PRESSURE SWITCH-ORANGE (M12, M20)	M15 - GKS90904CXAD
0130F00004	PRESSURE SWITCH-RED (M4, M18, M19)	M16 - GKS90904CXAE
0130F00001P	PRESSURE SWITCH-SUNGOLD (M2, M3, M5, M6, M7, M8, M10, M11, M13, M14, M15, M21, M22, M23)	M17 - GKS90905DXAA
✓ 20162903	PRIMARY LIMIT-BLUE (M4, M5, M6, M7, M8, M9, M10, M11, M17, M18, M19)	M18 - GKS90905DXAB
✓ 20162904	PRIMARY LIMIT-TEMPERATURE CONTROL (M1, M2, M3, M12, M13, M14, M15, M16)	M19 - GKS90905DXAC
✓ 20162906	PRIMARY LIMIT-WHITE (M20, M21, M22, M23)	M20 - GKS91155DXAA
✓ B1141605	TRANSFORMER 120V TO 24V, 40 VA	M21 - GKS91155DXAB
		M22 - GKS91155DXAC
		M23 - GKS91155DXAD

SPECIAL PARTS

IO-300E	INSTALLATION INSTRUCTIONS
IO-669	KIT INSTRUCTIONS-HUMIDIFIER
0161F00000P	NAMEPLATE, GOODMAN
RP-410F	REPAIR PARTS MANUAL
IO-661	SPECIAL INSTRUCTIONS-MASSACHUSETTS
0270F00399	STANDPIPE BAG ASSY
HI-115A	USERS MANUAL

Cabinet

Image 1

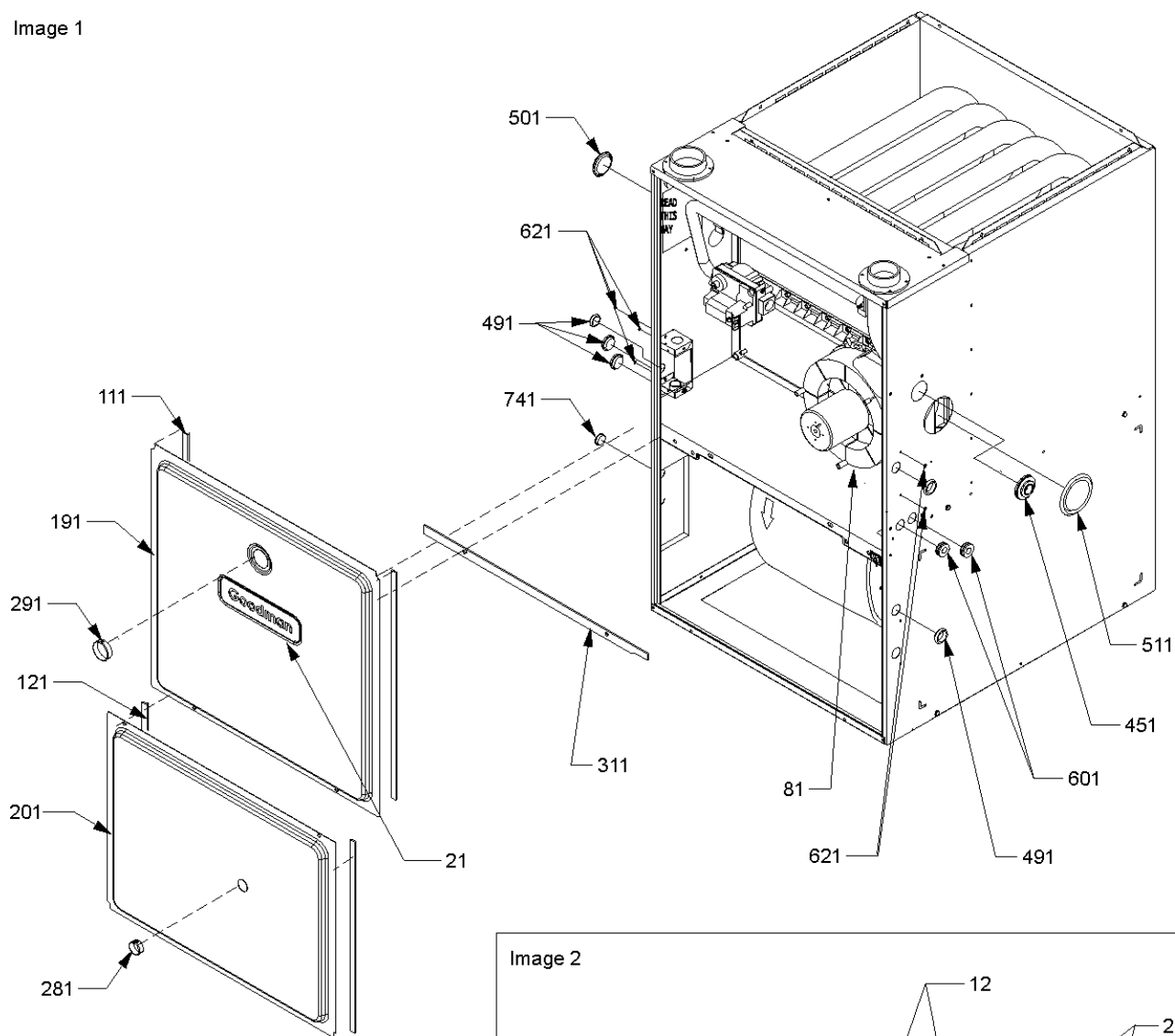
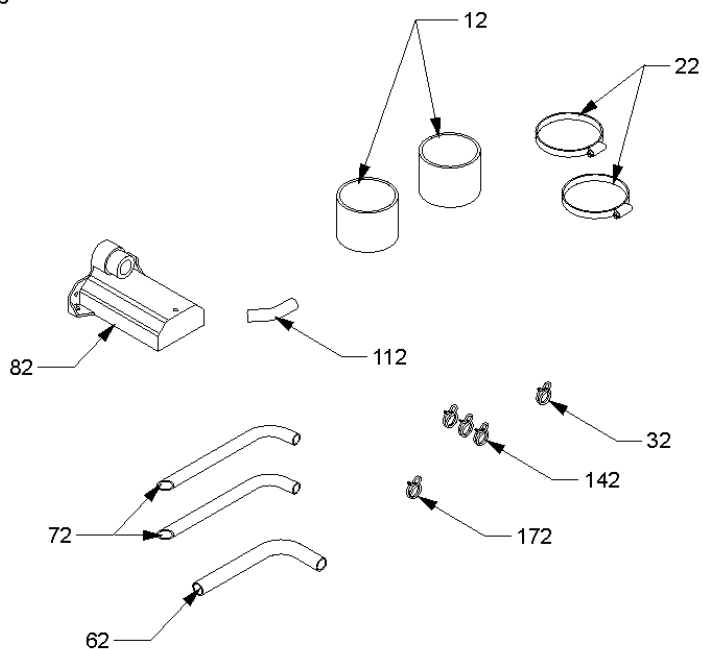


Image 2



Cabinet

**Ref. Part
No: No:**

Description:

**Ref. Part
No: No:**

Description:

Image 1:

21	0161F00000P	NAMEPLATE, GOODMAN
✓ 81	20201902	DRAIN HOSE
111	20179308	GASKET (QTY 2)
121	20194605	GASKET (M1, M2, M3, M4, M5, M6, M7, M8)
121	20194606	GASKET (M9, M10, M11, M12, M13, M14, M15, M16)
121	20194607	GASKET (M17, M18, M19, M20, M21, M22, M23)
191	0121F00072DGS	ACCESS DOOR (M1, M2, M3, M4, M5, M6, M7, M8)
191	0121F00073DGS	ACCESS DOOR (M9, M10, M11, M12, M13, M14, M15, M16)
191	0121F00074DGS	ACCESS DOOR (M17, M18, M19, M20, M21, M22, M23)
201	0121F00069DGS	BLOWER DOOR (M1, M2, M3, M4, M5, M6, M7, M8)
201	0121F00070DG	BLOWER DOOR (M9, M10, M11, M12, M13, M14, M15, M16)
201	0121F00071DG	BLOWER DOOR (M17, M18, M19, M20, M21, M22, M23)
281	B1392139	VIEW PORT BUSHING-BLOWER DOOR
291	11104002	VIEW PORT BUSHING-ACCESS DOOR (M1, M2, M4, M5, M9, M10, M12, M13, M17, M18, M20, M21)
291	B1392139	VIEW PORT BUSHING-ACCESS DOOR (M3, M6, M7, M8, M11, M14, M15, M16, M19, M22, M23)
311	22320001	DECK GASKET (M1, M2, M3, M4, M5, M6, M7, M8)
311	22320002	DECK GASKET (M9, M10, M11, M12, M13, M14, M15, M16)
311	22320003	DECK GASKET (M17, M18, M19, M20, M21, M22, M23)
451	M0501301	PIPE GROMMET
491	M0570808	BUTTON PLUG (QTY 4)
501	M0570806	PLUG-BUTTON
511	M0570807	BUTTON PLUG
601	A4691701	GROMMET (QTY 2)
621	M0310345	BUTTON PLUG (QTY 2)
741	B1392104	UNIVERSAL BUSHING UB 875 (QTY AR)
NS	0270F00399	STANDPIPE BAG ASSY
NS	0159F00003	WIRING HARNESS

Expanded Model Nomenclature

M1 - GKS90453BXAA
M2 - GKS90453BXAB
M3 - GKS90453BXAC
M4 - GKS90703BXAA
M5 - GKS90703BXAB
M6 - GKS90703BXAC
M7 - GKS90703BXAD
M8 - GKS90703BXAE
M9 - GKS90704CXAA
M10 - GKS90704CXAB
M11 - GKS90704CXAC
M12 - GKS90904CXAA
M13 - GKS90904CXAB
M14 - GKS90904CXAC
M15 - GKS90904CXAD
M16 - GKS90904CXAE
M17 - GKS90905DXAA
M18 - GKS90905DXAB
M19 - GKS90905DXAC
M20 - GKS91155DXAA
M21 - GKS91155DXAB
M22 - GKS91155DXAC
M23 - GKS91155DXAD

Image 2:

12	10254303	RUBBER COUPLING
22	0163M00049	HOSE CLAMP (QTY 2)
32	M0119207	HOSE CLAMP
✓ 62	20201901	DRAIN HOSE
✓ 72	20201802	DRAIN TUBE (QTY 2)
✓ 82	20171701	DRAIN TRAP
112	20214203	DRAIN ANGLE
142	M0119205	HOSE CLAMP (QTY 3)
172	M0119206	HOSE CLAMP

Blower Assembly

Image 1

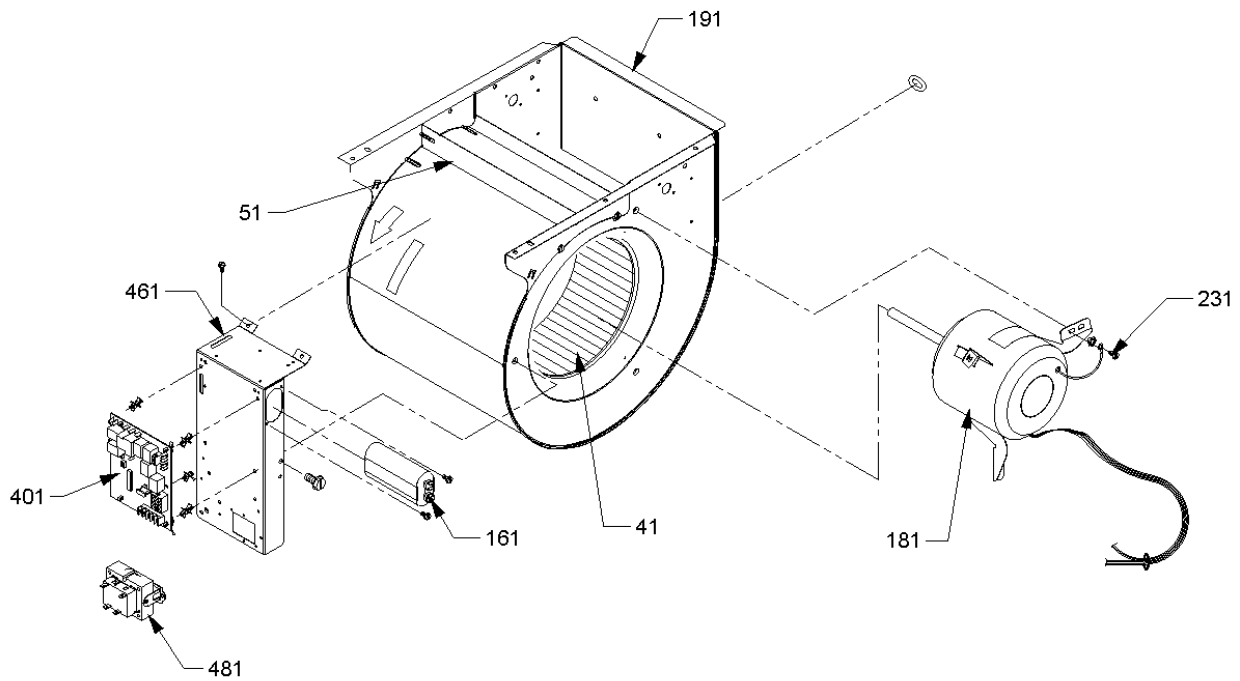
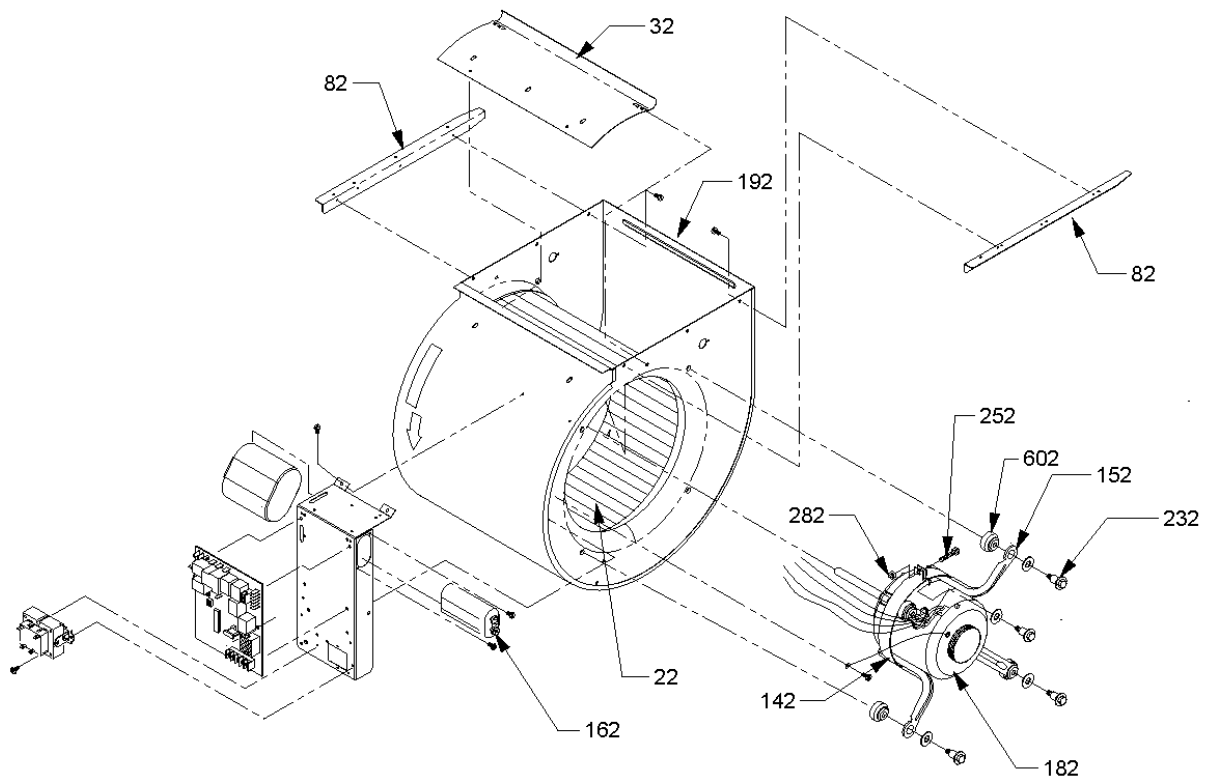


Image 2



Blower Assembly

Ref. Part No: No:	Description:	Ref. Part No: No:	Description:
<i>Image 1:</i>		Expanded Model Nomenclature	
41	B1368047A	BLOWER WHEEL 10 X 10 (M9, M10, M11, M12, M13, M14, M15, M16)	M1 - GKS90453BXAA
41	B1368058S	BLOWER WHEEL 10 X 8 (M1, M2, M3, M4, M5, M6, M7, M8)	M2 - GKS90453BXAB
51	764741F	BLOWER BLOCK-OFF 10 X 10 (M9, M10, M11, M12, M13, M14, M15, M16)	M3 - GKS90453BXAC
51	764740F	BLOWER BLOCK-OFF 10 X 8 (M1, M2, M3, M4, M5, M6, M7, M8)	M4 - GKS90703BXAA
161	CAP125000370VAS	CAPACITOR 12.5/370V (M1, M2, M3, M4, M5, M6, M7, M8)	M5 - GKS90703BXAB
161	CAP200000370VAS	CAPACITOR 20/370V (M9, M10, M11, M12, M13, M14, M15, M16)	M6 - GKS90703BXAC
181	B1340024S	BLOWER MOTOR 1/2 HP, 4 SP, 6 PL (M9, M10, M11, M12, M13, M14, M15, M16)	M7 - GKS90703BXAD
181	0131F00020	BLOWER MOTOR 1/3 HP, 4 SP, 6 PL (M1, M2, M3, M4, M5, M6, M7, M8)	M8 - GKS90703BXAE
191	0271F00003PS	BLOWER HOUSING ASSY 10 X 10 (M9, M10, M11, M12, M13, M14, M15, M16)	M9 - GKS90704CXAA
191	0271F00000P	BLOWER HOUSING ASSY 10 X 8 (M1, M2, M3, M4, M5, M6, M7, M8)	M10 - GKS90704CXAB
231	M0250558	TC SCREW (M1, M2, M3, M4, M5, M6, M7, M8, M9, M10, M11, M12, M13, M14, M15, M16)	M11 - GKS90704CXAC
✓ 401	0130F00005S	IGNITION BOARD, HSI INTEGRATED	M12 - GKS90904CXAA
461	0121F00025P	CONTROL BRACKET	M13 - GKS90904CXAB
✓ 481	B1141605	TRANSFORMER 120V TO 24V, 40 VA	M14 - GKS90904CXAC
<i>Image 2:</i>			
22	D6723311S	BLOWER WHEEL (M17, M18, M19, M20, M21, M22, M23)	M15 - GKS90904CXAD
32	C6121807	BLOWER CUT-OFF (M17, M18, M19, M20, M21, M22, M23)	M16 - GKS90904CXAE
82	20175101	BLOWER SIDE RAIL (M17, M18, M19, M20, M21, M22, M23)	M17 - GKS90905DXAA
142	10441601	MOTOR MOUNT BAND (M17, M18, M19, M20, M21, M22, M23)	M18 - GKS90905DXAB
152	10441501	MOTOR MOUNT ARM (M17, M18, M19, M20, M21, M22, M23)	M19 - GKS90905DXAC
162	CAP150000370VAS	CAPACITOR 15/370V (M17, M18, M19, M20, M21, M22, M23)	M20 - GKS91155DXAA
182	10759415S	BLOWER MOTOR 3/4 HP, 4 SP, 8 PL (M17, M18, M19, M20, M21, M22, M23)	M21 - GKS91155DXAB
192	0271F00048	BLOWER HOUSING ASSY 11 X 10 (M17, M18, M19, M20, M21, M22, M23)	M22 - GKS91155DXAC
232	M0221461	TC SCREW (M17, M18, M19, M20, M21, M22, M23)	M23 - GKS91155DXAD
252	M0267144	MACHINE SCREW (M17, M18, M19, M20, M21, M22, M23)	
282	M0282015	KEPS NUT (M17, M18, M19, M20, M21, M22, M23)	
602	A4002702	BLOWER MOTOR GROMMET (M17, M18, M19, M20, M21, M22, M23)	

Chassis

Image 1

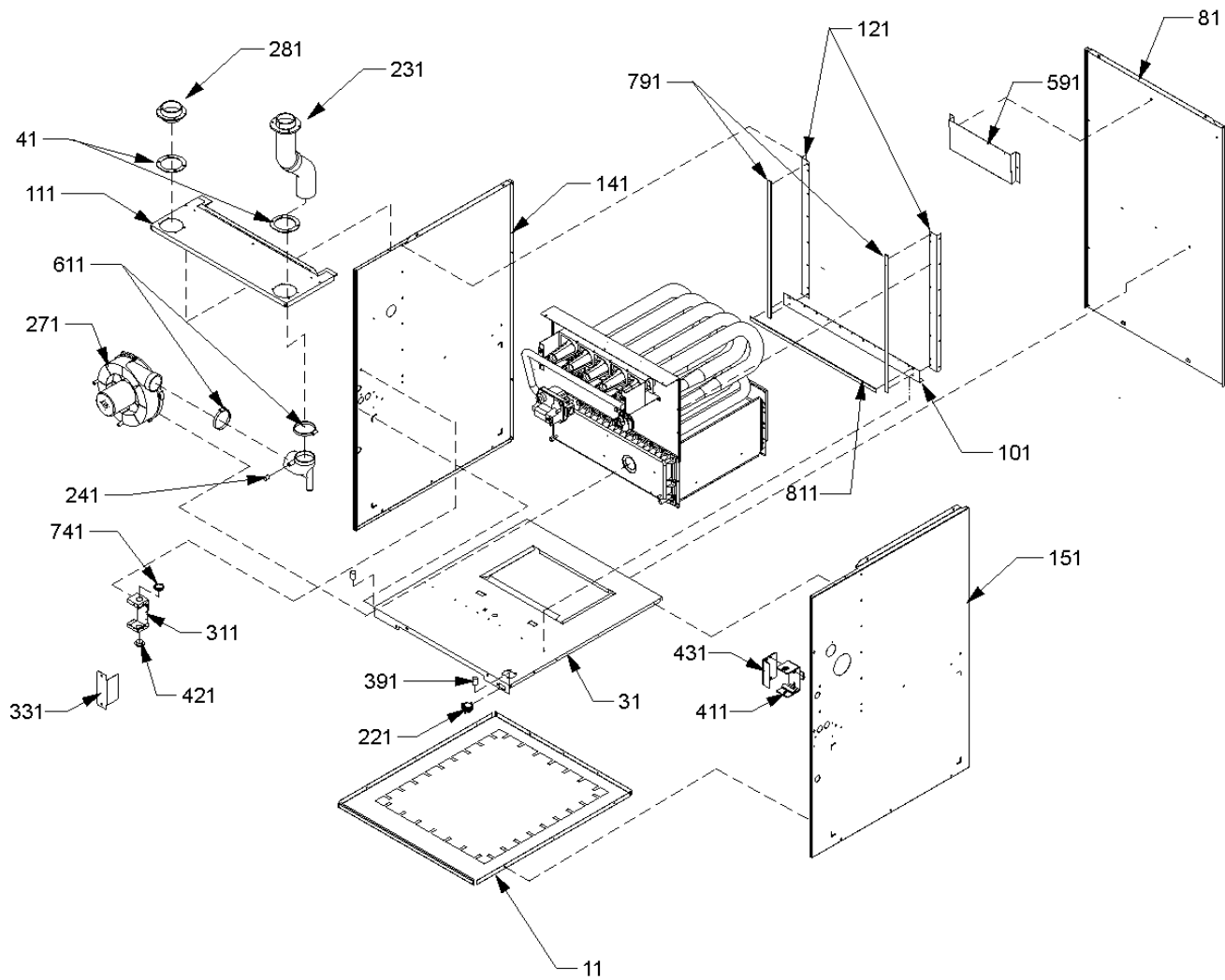
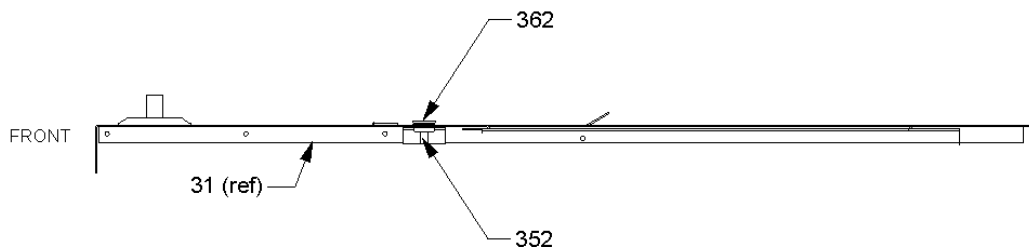


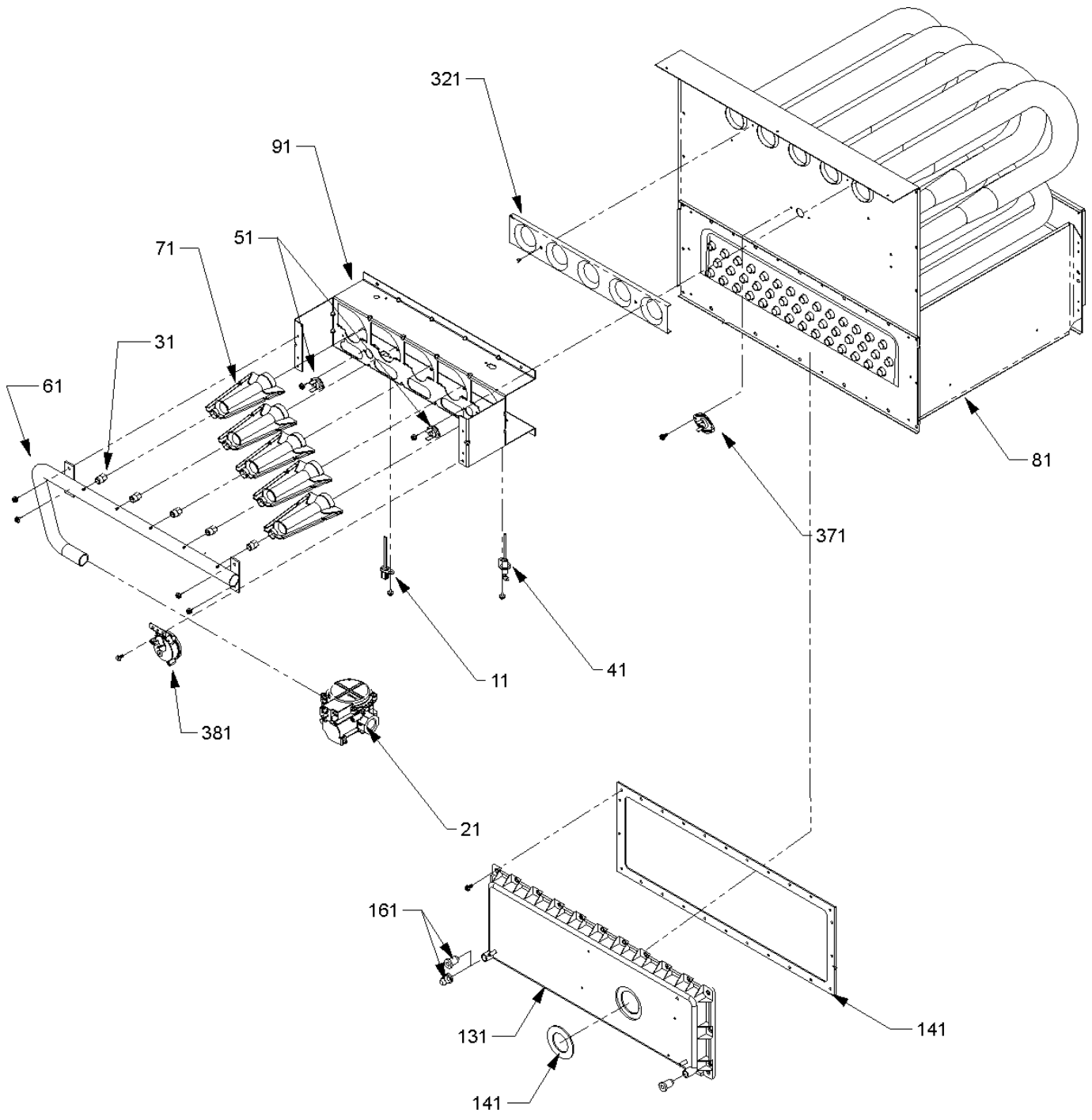
Image 2



Chassis

Ref. Part No:	Ref. Part No:	Description:	Description:
<i>Image 1:</i>		<i>Image 1:</i>	
11	0121F00050DGS	BASE PAN (M1, M2, M3, M4, M5, M6, M7, M8)	611 0163M00049 HOSE CLAMP (QTY 2)
11	0121F00051DG	BASE PAN (M9, M10, M11, M12, M13, M14, M15, M16)	741 B1392104 UNIVERSAL BUSHING UB 875 (QTY 2)
11	0121F00052DG	BASE PAN (M17, M18, M19, M20, M21, M22, M23)	791 20194608 GASKET (QTY 2)
31	0121F00043	BLOWER DECK (M1, M2, M3, M4, M5, M6, M7, M8)	811 20194605 GASKET (M1, M2, M3, M4, M5, M6, M7, M8)
31	0121F00045	BLOWER DECK (M9, M10, M11, M12, M13, M14, M15, M16)	811 20194606 GASKET (M9, M10, M11, M12, M13, M14, M15, M16)
31	0121F00048	BLOWER DECK (M17, M18, M19, M20, M21, M22, M23)	811 20194607 GASKET (M17, M18, M19, M20, M21, M22, M23)
41	0154F00000P	COIL GASKET (M1, M2, M3, M4, M5, M6, M7, M8)	NS C6415909 HEAT EXCHANGER INSULATION (M17, M18, M19, M20, M21, M22, M23)
41	0154F00001P	COIL GASKET (M9, M10, M11, M12, M13, M14, M15, M16)	NS C6415910 HEAT EXCHANGER INSULATION (M1, M2, M3, M4, M5, M6, M7, M8)
41	0154F00002P	COIL GASKET (M17, M18, M19, M20, M21, M22, M23)	NS C6415911 HEAT EXCHANGER INSULATION (M9, M10, M11, M12, M13, M14, M15, M16)
81	20273208	BACK PANEL (M1, M2, M3, M4, M5, M6, M7, M8)	NS 0164M00002 PRESSURE SWITCH HOSE
81	20273210	BACK PANEL (M9, M10, M11, M12, M13, M14, M15, M16)	<i>Image 2:</i>
81	20273212	BACK PANEL (M17, M18, M19, M20, M21, M22, M23)	352 10861101 AUXILIARY LIMIT BRACKET
101	0121F00018P	DECK RAIL (M1, M2, M3, M4, M5, M6, M7, M8)	362 10123519 AUXILIARY LIMIT (M20, M21, M22, M23)
101	0121F00019P	DECK RAIL (M9, M10, M11, M12, M13, M14, M15, M16)	362 10123535 MANUAL RESET LIMIT (M1, M2, M3, M4, M5, M6, M7, M8, M9, M10, M11, M12, M13, M14, M15, M16, M17, M18, M19)
101	20191303	DECK RAIL (M17, M18, M19, M20, M21, M22, M23)	Expanded Model Nomenclature
111	0270F00001PS	TOP COVER ASSY (M9, M10, M11, M12, M13, M14, M15, M16)	M1 - GKS90453BXAA
111	0270F00002PS	TOP COVER ASSY (M17, M18, M19, M20, M21, M22, M23)	M2 - GKS90453BXAB
111	0270F00100PS	TOP COVER ASSY (M1, M2, M3, M4, M5, M6, M7, M8)	M3 - GKS90453BXAC
121	20191602	SIDE RAIL (M1, M2, M3, M4, M5, M6, M7, M8)	M4 - GKS90703BXAA
121	20191603	SIDE RAIL (M9, M10, M11, M12, M13, M14, M15, M16)	M5 - GKS90703BXAB
121	20191604	SIDE RAIL (M17, M18, M19, M20, M21, M22, M23)	M6 - GKS90703BXAC
141	0121F00092DGS	SIDE PANEL LH	M7 - GKS90703BXAD
151	0121F00090DGS	SIDE PANEL RH	M8 - GKS90703BXAE
221	B1370818	INTERLOCK SWITCH	M9 - GKS90704CXAA
231	22309501	FLUE PIPE	M10 - GKS90704CXAB
241	20171802	ELBOW	M11 - GKS90704CXAC
271	22307501S	ID BLOWER	M12 - GKS90904CXAA
281	20049701	FA COUPLING	M13 - GKS90904CXAB
311	10736102	HIGH VOLTAGE BOX (M1, M2, M4, M5, M9, M10, M12, M13, M17, M18, M20, M21)	M14 - GKS90904CXAC
331	10736201	COVER, HIGH VOLTAGE BOX (M1, M2, M4, M5, M9, M10, M12, M13, M17, M18, M20, M21)	M15 - GKS90904CXAD
391	M0275521	PLASTIC SEALER (M20, M21, M22, M23)	M16 - GKS90904CXAE
411	0161F00004	JUNCTION BOX-PLA (M3, M6, M7, M8, M11, M14, M15, M16, M19, M22, M23)	M17 - GKS90905DXAA
421	A4554801	SNAP BUSHING (M1, M2, M4, M5, M9, M10, M12, M13, M17, M18, M20, M21)	M18 - GKS90905DXAB
431	0161F00005	JUNCTION BOX-LID (M3, M6, M7, M8, M11, M14, M15, M16, M19, M22, M23)	M19 - GKS90905DXAC
591	11165107	ID BLOWER SHIELD	M20 - GKS91155DXAA
			M21 - GKS91155DXAB
			M22 - GKS91155DXAC
			M23 - GKS91155DXAD

Heat Exchanger/Manifold/Gas Valve



Heat Exchanger/Manifold/Gas Valve

Ref. Part No:	No:	Description:	Ref. Part No:	No:	Description:	
<i>Image 1:</i>			<i>Image 1:</i>			
✓	11	20165703S	IGNITOR	321	11072203	ORIFICE SHIELD (M12, M13, M14, M15, M16, M17, M18, M19)
	21	B1282628	GAS VALVE (36G)	321	11072204	ORIFICE SHIELD (M20, M21, M22, M23)
	31	10716003	ORIFICE (QTY 2)	371	20162903	PRIMARY LIMIT-BLUE (M4, M5, M6, M7, M8, M9, M10, M11, M17, M18, M19)
	41	0130F00010	FLAME SENSOR	371	20162904	PRIMARY LIMIT-TEMPERATURE CONTROL (M1, M2, M3, M12, M13, M14, M15, M16)
✓	51	10123533	MANUAL RESET LIMIT	371	20162906	PRIMARY LIMIT-WHITE (M20, M21, M22, M23)
	61	20196401	MANIFOLD - 2 BRNR (M1, M2, M3)	381	20197312	PRESSURE SWITCH-LIGHT BLUE (M1, M9, M17)
	61	20196402	MANIFOLD - 3 BRNR (M4, M5, M6, M7, M8, M9, M10, M11)	381	0130F00002P	PRESSURE SWITCH-OLIVE (M16)
	61	20196403	MANIFOLD - 4 BRNR (M12, M13, M14, M15, M16, M17, M18, M19)	381	20197310	PRESSURE SWITCH-ORANGE (M12, M20)
	61	20196404	MANIFOLD - 5 BRNR (M20, M21, M22, M23)	381	0130F00004	PRESSURE SWITCH-RED (M4, M18, M19)
	71	10735102S	BECKETT BURNER (QTY 2)	381	0130F00001P	PRESSURE SWITCH-SUNGOLD (M2, M3, M5, M6, M7, M8, M10, M11, M13, M14, M15, M21, M22, M23)
	81	0257F00038P	HEAT EXCHANGER ASSY 2B (M1)	Expanded Model Nomenclature		
	81	0257F00148	HEAT EXCHANGER ASSY 2B (M3)	M1 - GKS90453BXAA		
	81	0257F00040P	HEAT EXCHANGER ASSY 3B (M9)	M2 - GKS90453BXAB		
	81	0257F00150	HEAT EXCHANGER ASSY 3B (M11)	M3 - GKS90453BXAC		
	81	0257F00172S	HEAT EXCHANGER ASSY 3B (M4, M6, M7)	M4 - GKS90703BXAA		
	81	0257F00181	HEAT EXCHANGER ASSY 3B (M8)	M5 - GKS90703BXAB		
	81	0257F00152	HEAT EXCHANGER ASSY 4B (M19)	M6 - GKS90703BXAC		
	81	0257F00173S	HEAT EXCHANGER ASSY 4B (M12, M14, M15, M16)	M7 - GKS90703BXAD		
	81	20418617	HEAT EXCHANGER ASSY 4B (M17)	M8 - GKS90703BXAE		
	81	0257F00174S	HEAT EXCHANGER ASSY 5B (M2, M5, M10, M13, M18, M20, M21, M22, M23)	M9 - GKS90704CXAA		
	91	20190410	BURNER BRACKET 2B (M1, M2, M3)	M10 - GKS90704CXAB		
	91	20190411	BURNER BRACKET 3B (M4, M5, M6, M7, M8, M9, M10, M11)	M11 - GKS90704CXAC		
	91	20190412	BURNER BRACKET 4B (M12, M13, M14, M15, M16, M17, M18, M19)	M12 - GKS90904CXAA		
	91	20190413	BURNER BRACKET 5B (M20, M21, M22, M23)	M13 - GKS90904CXAB		
	131	20170801AS	FRONT COVER (M1)	M14 - GKS90904CXAC		
	131	20170802AS	FRONT COVER (M4, M8)	M15 - GKS90904CXAD		
	131	20170807AS	FRONT COVER (M2, M3)	M16 - GKS90904CXAE		
	131	20170808AS	FRONT COVER (M5, M6, M7)	M17 - GKS90905DXAA		
	131	20170901AS	FRONT COVER (M9, M10, M11)	M18 - GKS90905DXAB		
	131	20170902AS	FRONT COVER (M12)	M19 - GKS90905DXAC		
	131	20170904AS	FRONT COVER (M13, M14, M15, M16)	M20 - GKS91155DXAA		
	131	20171001AS	FRONT COVER (M17, M18, M19)	M21 - GKS91155DXAB		
	131	20171002AS	FRONT COVER (M20, M21, M22, M23)	M22 - GKS91155DXAC		
	141	0154F00000P	COIL GASKET (M1, M2, M3, M4, M5, M6, M7, M8)	M23 - GKS91155DXAD		
	141	0154F00001P	COIL GASKET (M9, M10, M11, M12, M13, M14, M15, M16)			
	141	0154F00002P	COIL GASKET (M17, M18, M19, M20, M21, M22, M23)			
	161	M0326804	TUBE PLUG (QTY AR)			
	321	11072201	ORIFICE SHIELD (M1, M2, M3)			
	321	11072202	ORIFICE SHIELD (M4, M5, M6, M7, M8, M9, M10, M11)			

