



Copeland Scroll™ ZPK5 R-410A Compressor Cross Reference Guide

Copeland™ ZPK5 Single Phase Compressor Models

Tonnage	ZPK5 Preferred Wholesale Model	ZPK5 Special Order Model	ZPK3	ZPKC	CP8
1.5T	ZP14K5E-PFV				
	ZP16K5E-PFJ				
	ZP16K5E-PFV		ZP16K3E-PFV		
2T	ZP20K5E-PFJ	ZP21K5E-PFJ	ZP20K3E-PFJ		
	ZP20K5E-PFV	ZP21K5E-PFV	ZP20K3E-PFV	ZP22KCE-PFV	
2.5T	ZP24K5E-PFJ	ZP25K5E-PFJ	ZP23K3E-PFJ		
			ZP26K3E-PFJ		
	ZP24K5E-PFV	ZP25K5E-PFV	ZP23K3E-PFV	ZP26KCE-PFV	CP21K8E-PFV
		ZP26K3E-PFV			
3T	ZP28K5E-PFV				CP25K8E-PFV
	ZP31K5E-PFJ	ZP29K5E-PFJ	ZP32K3E-PFJ		
	ZP31K5E-PFV	ZP29K5E-PFV	ZP32K3E-PFV	ZP32KCE-PFV	
	ZP34K5E-PFV	ZP36K5E-PFV	ZP36K3E-PFV		
	ZP36K5E-PFJ	ZP36K3E-PFJ			
3.5T	ZP38K5E-PFV	ZP39K5E-PFV	ZP38K3E-PFV	ZP38KCE-PFV	CP27K8E-PFV
					CP30K8E-PFV
4T	ZP42K5E-PFJ	ZP44K5E-PFJ	ZP41K3E-PFJ		
	ZP42K5E-PFV	ZP44K5E-PFV	ZP41K3E-PFV	ZP44KCE-PFV	
			ZP44K3E-PFV		
5T	ZP49K5E-PFJ				
	ZP49K5E-PFV				
	ZP54K5E-PFJ	ZP51K5E-PFJ	ZP50K3E-PFJ		
	ZP54K5E-PFV	ZP51K5E-PFV	ZP50K3E-PFV		
			ZP54K3E-PFV		
	ZP61K5E-PFV	ZP57K5E-PFV	ZP57K3E-PFV	ZP57KCE-PFV	

Code	Hz-Phase-Volts
PFV	60-1-208/230
PFJ	60-1-265
TF5	60-3-200/230
TFD	60-3-460
TFE	60-3-575
TF7	60-3-380

Copeland™ ZPK5 Three Phase Compressor Models

Tonnage	ZPK5 Preferred Wholesale Model	ZPK5 Special Order Model	ZPK3	ZPKC	CP8
2T	ZP20K5E-TF5	ZP21K5E-TF5	ZP20K3E-TF5		
	ZP20K5E-TFD	ZP21K5E-TFD	ZP20K3E-TFD		
	ZP20K5E-TFE	ZP21K5E-TFE			
2.5T	ZP24K5E-TF5	ZP25K5E-TF5	ZP23K3E-TF5 ZP26K3E-TF5		
	ZP24K5E-TFD	ZP25K5E-TFD	ZP23K3E-TFD ZP26K3E-TFD		
	ZP24K5E-TFE	ZP25K5E-TFE			
3T	ZP28K5E-TF5				
	ZP28K5E-TFD				
	ZP28K5E-TFE				
	ZP31K5E-TF5	ZP29K5E-TF5	ZP32K3E-TF5		
	ZP31K5E-TFD	ZP29K5E-TFD	ZP32K3E-TFD		
	ZP31K5E-TFE	ZP29K5E-TFE	ZP32K3E-TFE		
	ZP34K5E-TF5	ZP36K5E-TF5	ZP36K3E-TF5		
ZP34K5E-TFD	ZP36K5E-TFD	ZP36K3E-TFD			
3.5T	ZP34K5E-TFE	ZP36K5E-TFE	ZP36K3E-TFE		
	ZP38K5E-TF5	ZP39K5E-TF5	ZP38K3E-TF5		CP27K8E-TF5 CP30K8E-TF5
	ZP38K5E-TFD	ZP39K5E-TFD	ZP38K3E-TFD		CP27K8E-TFD CP30K8E-TFD
4T	ZP38K5E-TFE	ZP39K5E-TFE	ZP38K3E-TFE		
	ZP42K5E-TF5	ZP44K5E-TF5	ZP41K3E-TF5 ZP44K3E-TF5		
		ZP44K5E-TF7			
4T	ZP42K5E-TFD	ZP44K5E-TFD	ZP41K3E-TFD ZP44K3E-TFD		
	ZP42K5E-TFE	ZP44K5E-TFE	ZP41K3E-TFE ZP44K3E-TFE		
5T	ZP49K5E-TF5				
	ZP49K5E-TF7				
	ZP49K5E-TFD				
	ZP49K5E-TFE				
	ZP54K5E-TF5	ZP51K5E-TF5	ZP50K3E-TF5 ZP54K3E-TF5		
	ZP54K5E-TF7	ZP51K5E-TF7	ZP54K3E-TF7		
	ZP54K5E-TFD	ZP51K5E-TFD	ZP50K3E-TFD ZP54K3E-TFD		
	ZP54K5E-TFE	ZP51K5E-TFE	ZP50K3E-TFE ZP54K3E-TFE		
	ZP61K5E-TF5	ZP57K5E-TF5	ZP57K3E-TF5	ZP57KCE-TF5 ZP61KCE-TF5	
	ZP61K5E-TFD	ZP57K5E-TFD	ZP57K3E-TFD	ZP57KCE-TFD ZP61KCE-TFD	
ZP61K5E-TFE	ZP57K5E-TFE	ZP57K3E-TFE	ZP61KCE-TFE		

Code	Hz-Phase-Volts
PFV	60-1-208/230
PFJ	60-1-265
TF5	60-3-200/230
TFD	60-3-460
TFE	60-3-575
TF7	60-3-380

Copeland Scroll™ ZPK5 R-410A Compressor Cross Reference Guide



Single Phase

Tonnage	ZPK5 Preferred Wholesale Model	ZPK5 Special Order Model	Bristol	Carlyle	Danfoss	LG
1.5T	ZP14K5E-PFV		H82J153ABC			
			H82J15BABC			
			H89B153ABC			
			H89B15BABC			
	ZP16K5E-PFJ		H82J153ABH			
	ZP16K5E-PFV		H89B153ABH			
			H82J173ABC			
			H82J17BABC			
			H89B163ABC			
			H89B16BABC			

Code	Hz-Phase-Volts
PFV	60-1-208/230
PFJ	60-1-265
TF5	60-3-200/230
TFD	60-3-460
TFE	60-3-575
TF7	60-3-380

Single Phase

Tonnage	ZPK5 Preferred Wholesale Model	ZPK5 Special Order Model	Bristol	Carlyle	Danfoss	LG	
2T	ZP20K5E-PFJ	ZP21K5E-PFJ	H82J213ABH				
			H82J223ABH				
			H89B193ABH				
			H89B223ABH				
	ZP20K5E-PFV	ZP21K5E-PFV	H80J183ABC				APA022K
			H80J223ABC				
			H81J223ABC				
			H81J22BABC				
			H82J193ABC				
			H82J19BABC				
			H82J213ABC				
			H82J21BABC				
			H82J223ABC				
			H82J22BABC				
			H83B193ABC				
			H89B193ABC				
			H89B19BABC				
			H89B223ABC				
			H89B22BABC				
			T81J195CBC				
T89B194CBC							

Code	Hz-Phase-Volts
PFV	60-1-208/230
PFJ	60-1-265
TF5	60-3-200/230
TFD	60-3-460
TFE	60-3-575
TF7	60-3-380

Three Phase

Tonnage	ZPK5 Preferred Wholesale Model	ZPK5 Special Order Model	Bristol	Carlyle	Danfoss	LG
2T	ZP20K5E-TF5	ZP21K5E-TF5	H82J193DBL			
			H82J213DBL			
			H82J223DBL			
	ZP20K5E-TFD	ZP21K5E-TFD	H82J193DBV			
			H82J213DBV			
			H82J223DBV			
			H89B203DBV			
	ZP20K5E-TFE	ZP21K5E-TFE	H82J213DBF			
			H82J223DBF			

Single Phase

Tonnage	ZPK5 Preferred Wholesale Model	ZPK5 Special Order Model	Bristol	Carlyle	Danfoss	LG
2.5T	ZP24K5E-PFJ	ZP25K5E-PFJ	H82J263ABH			
	ZP24K5E-PFV	ZP25K5E-PFV	H82J243ABC			APA024K
			H82J24BABC			APA026K
			H82J263ABC			
			H82J26BABC			
			H89B243ABC			

Code	Hz-Phase-Volts
PFV	60-1-208/230
PFJ	60-1-265
TF5	60-3-200/230
TFD	60-3-460
TFE	60-3-575
TF7	60-3-380

Three Phase

Tonnage	ZPK5 Preferred Wholesale Model	ZPK5 Special Order Model	Bristol	Carlyle	Danfoss	LG
2.5T	ZP24K5E-TF5	ZP25K5E-TF5	H82J263DBL			
			H89B243DBL			
	ZP24K5E-TFD	ZP25K5E-TFD	H82J263DBV			
			H89B243DBV			
ZP24K5E-TFE	ZP25K5E-TFE	H82J263DBF				

Single Phase

Tonnage	ZPK5 Preferred Wholesale Model	ZPK5 Special Order Model	Bristol	Carlyle	Danfoss	LG
3T	ZP28K5E-PFV		H81J283ABC			APA028K
			H81J28BABC			
			H82J273ABC			
			H82J27BABC			
			H82J283ABC			
			H82J28BABC			
			T81J285CBC			
	T89B284CBC					
	ZP31K5E-PFJ	ZP29K5E-PFJ	H82J283ABH			
			H82J293ABH			
			H82J323ABH			
			H89B283ABH			
			H89B293ABH			
	H89B323ABH					
	ZP31K5E-PFV	ZP29K5E-PFV	H80J293ABC	XGD320HA	HRH031U1	APA030K
			H81J313ABC		HRH032U1	APA032K
			H81J31BABC			
			H82J293ABC			
			H82J29BABC			
			H82J303ABC			
			H82J30BABC			
			H82J323ABC			
			H82J32BABC			
			H83C313ABC			
			H83C323ABC			
			H89B283ABC			
			H89B303ABC			
	H89B323ABC					
	ZP34K5E-PFV	ZP36K5E-PFV	H80J323ABC	XGD360HA	HRH034U1	ABA034K
			H82B343ABC		HRH036U1	ABA036K
			H82B363ABC			
			H82J333ABC			
			H82J33BABC			
			H82J353ABC			
			H82J35BABC			
			H83C363ABC			
H89B343ABC						
T89B364CBC						
	ZP36K5E-PFJ	H82J373ABH				
		H89B343ABH				

Code	Hz-Phase-Volts
PFV	60-1-208/230
PFJ	60-1-265
TF5	60-3-200/230
TFD	60-3-460
TFE	60-3-575
TF7	60-3-380

Three Phase

Tonnage	ZPK5 Preferred Wholesale Model	ZPK5 Special Order Model	Bristol	Carlyle	Danfoss	LG	
3T	ZP28K5E-TF5		H81J283DBL				
			H81J28BDBL				
			H82J273DBL				
			H82J283DBL				
			H89B283DBL				
			H82J273DBV				
			H82J283DBV				
			H82J273DBF				
	ZP28K5E-TFD		H82J283DBV				
			H82J273DBF				
	ZP28K5E-TFE		H82J283DBF				
			H82J283DBF				
	ZP31K5E-TF5	ZP29K5E-TF5	H82J293DBL	XGY322HA	HRH031U2		
			H82J303DBL		HRH032U2		
			H82J323DBL				
			H82J333DBL				
			H83C313DBD				
			H83C323DBD				
			H82J293DBV		XGH322HA		HRH029U4
			H82J303DBV				HRH031U4
	H82J323DBV	HRH032U4					
	H83C323DBE						
	H89B283DBV						
	H89B303DBV						
	H82J293DBF	XGJ322HA	HRH031U7				
	H82J303DBF		HRH032U7				
	H82J323DBF						
	H82J333DBF						
	H83C323DBF						
	ZP34K5E-TF5		ZP36K5E-TF5	H82B343DBL	XGY362HA	HRH034U2	
				H82B363DBL		HRH036U2	
				H82J353DBL			
H82J37MDBL							
H83C363DBD							
H89B343DBL							
H82B343DBE		XGH362HA		HRH034U4			
H82B363DBE				HRH036U4			
H82J333DBV							
H82J353DBV							
H82J37MDBV							
H83C363DBE							
H89B343DBV							
H89B363DBV							
H82B363DBF	XGJ362HA		HRH034U7				
H82J353DBF		HRH036U7					
H82J37MDBF							
H83C363DBF							
ZP34K5E-TFD		ZP36K5E-TFD	H82B343DBE				
			H82B363DBE				
			H82J333DBV				
			H82J353DBV				
			H82J37MDBV				
	H83C363DBE						
	H89B343DBV						
	H89B363DBV						
H82B363DBF							
H82J353DBF							
H82J37MDBF							
H83C363DBF							
ZP34K5E-TFE			ZP36K5E-TFE	H82B343DBL			
				H82B363DBL			
				H82J353DBL			
				H82J37MDBL			
	H83C363DBD						
	H89B343DBL						
	H82B343DBE						
	H82B363DBE						
H82J333DBV							
H82J353DBV							
H82J37MDBV							
H83C363DBE							
H89B343DBV							
H89B363DBV							
H82B363DBF							
H82J353DBF							
H82J37MDBF							
H83C363DBF							

Code	Hz-Phase-Volts
PFV	60-1-208/230
PFJ	60-1-265
TF5	60-3-200/230
TFD	60-3-460
TFE	60-3-575
TF7	60-3-380

Single Phase

Tonnage	ZPK5 Preferred Wholesale Model	ZPK5 Special Order Model	Bristol	Carlyle	Danfoss	LG
3.5T	ZP38K5E-PFV	ZP39K5E-PFV	H80J383ABC	XGD380HA	HRH038U1	ABA038K
			H81J383ABC		HRH039U1	ABA040K
			H81J38BABC			
			H82J373ABC			
			H82J37BABC			
			H82J37MABC			
			H82J403ABC			
			H82J40BABC			
			H83C383ABC			
			T81J384CBC			
			T89B385CBC			

Code	Hz-Phase-Volts
PFV	60-1-208/230
PFJ	60-1-265
TF5	60-3-200/230
TFD	60-3-460
TFE	60-3-575
TF7	60-3-380

Three Phase

Tonnage	ZPK5 Preferred Wholesale Model	ZPK5 Special Order Model	Bristol	Carlyle	Danfoss	LG
3.5T	ZP38K5E-TF5	ZP39K5E-TF5	H82J373DBL	XGY382HA	HRH038U2	
			H82J403DBL			
			H83C383DBD			
	ZP38K5E-TFD	ZP39K5E-TFD	H82J373DBV	XGH382HA	HRH038U4	
			H82J403DBV			
			H83C383DBE			
	ZP38K5E-TFE	ZP39K5E-TFE	H82J373DBF	XGJ382HA	HRH038U7	
			H82J403DBF			
			H83C383DBF			

Single Phase

Tonnage	ZPK5 Preferred Wholesale Model	ZPK5 Special Order Model	Bristol	Carlyle	Danfoss	LG
4T	ZP42K5E-PFJ	ZP44K5E-PFJ				
	ZP42K5E-PFV	ZP44K5E-PFV	H82J423ABC	XGD410HA	HRH040U1	ABA042K
			H82J42BABC	XND440HA	HRH041U1	
			H82J443ABC	XND440HE	HRH044U1	
			H82J44BABC	XND440HU		
			H82J463ABC			
			H82J46BABC			
			H83C413ABC			
			H83R413ABC			
			H83R443ABC			
			H89A423CBC			
			T89A424BBC			

Code	Hz-Phase-Volts
PFV	60-1-208/230
PFJ	60-1-265
TF5	60-3-200/230
TFD	60-3-460
TFE	60-3-575
TF7	60-3-380

Three Phase

Tonnage	ZPK5 Preferred Wholesale Model	ZPK5 Special Order Model	Bristol	Carlyle	Danfoss	LG
4T	ZP42K5E-TF5	ZP44K5E-TF5	H82J423DBL	XGY412HA	HRH040U2	
			H82J443DBL	XNY442HA	HRH041U2	
			H82J463DBL	XNY442HE	HRH044U2	
			H83C413DBD	XNY442HU	HRH047U2	
			H83R413DBD			
			H83R443DBD			
			H89A423DBL			
		ZP44K5E-TF7				
	ZP42K5E-TFD	ZP44K5E-TFD	H82J423DBV	XGH412HA	HRH040U4	
			H82J443DBV	XNH442HA	HRH041U4	
			H82J463DBV	XNH442HE	HRH044U4	
			H83C413DBE	XNH442HU	HRH047U4	
			H83R413DBV			
			H89A423DBV			
	ZP42K5E-TFE	ZP44K5E-TFE	H82J423DBF	XGJ412HA	HRH040U7	
			H82J443DBF	XNJ442HA	HRH041U7	
			H82J463DBF	XNJ442HE	HRH043U7	
			H83R413DBF	XNJ442HU	HRH044U7	
			H83R443DBF			

Single Phase

Tonnage	ZPK5 Preferred Wholesale Model	ZPK5 Special Order Model	Bristol	Carlyle	Danfoss	LG
5T	ZP49K5E-PFJ					
	ZP49K5E-PFV		H82J483ABC	XND490HA	HRH047U1	SR047K
			H82J48BABC	XND490HE	HRH048U1	SR049K
			H83R493ABC	XND490HU	HRH049U1	
	ZP54K5E-PFJ	ZP51K5E-PFJ				
	ZP54K5E-PFV	ZP51K5E-PFV	H82J503ABC	XND510HA	HRH050U1	ABA051K
			H82J50BABC	XND510HE	HRH051U1	ABA054K
			H83R513ABC	XND510HU	HRH054U1	
			H83R543ABC	XND540HA		
			H89A513CBC	XND540HE		
			H89A543CBC	XND540HU		
			T89A514BBC			
	T89A515BBC					
	ZP61K5E-PFV	ZP57K5E-PFV	H83R563ABC	XND560HA	HLH061T1	SR057K
			H89A623CBC	XND560HE	HRH056U1	SR061K
			XND560HU			

Code	Hz-Phase-Volts
PFV	60-1-208/230
PFJ	60-1-265
TF5	60-3-200/230
TFD	60-3-460
TFE	60-3-575
TF7	60-3-380

Three Phase

Tonnage	ZPK5 Preferred Wholesale Model	ZPK5 Special Order Model	Bristol	Carlyle	Danfoss	LG
5T	ZP49K5E-TF5		H82J483DBL	XNY492HA	HRH048U2	SR049R
			H82J503DBL	XNY492HE	HRH049U2	
			H83R493DBD	XNY492HU	HRH050U2	
	ZP49K5E-TF7				SR049U	
	ZP49K5E-TFD		H82J483DBV	XNH492HA	HRH048U4	SR049S
			H82J503DBV	XNH492HE	HRH049U4	
			H83R493DBE	XNH492HU	HRH050U4	
	ZP49K5E-TFE			XNJ492HA	HRH049U7	
				XNJ492HE		
			XNJ492HU			
	ZP54K5E-TF5	ZP51K5E-TF5	H83R513DBD	XNY512HA	HRH051U2	
			H83R543DBD	XNY512HE	HRH054U2	
				XNY512HU		
				XNY542HA		
				XNY542HE		
	ZP54K5E-TF7	ZP51K5E-TF7		XNY542HU		
	ZP54K5E-TFD	ZP51K5E-TFD	H83R513DBE	XNH512HA	HRH051U4	
			H83R543DBE	XNH512HE	HRH054U4	
				XNH512HU		
				XNH542HA		
				XNH542HE		
	ZP54K5E-TFE	ZP51K5E-TFE	H83R513DBF	XNJ512HA	HRH051U7	
			H83R543DBF	XNJ512HE	HRH054U7	
				XNJ512HU		
				XNJ542HA		
				XNJ542HE		
	ZP61K5E-TF5	ZP57K5E-TF5	H83R563DBD	XNY562HA	HRH056U2	SR057R
			H89A583DBL	XNY562HE		SR061R
			XNY562HU			
			XNY722AE			
			XNY722AU			
ZP61K5E-TFD	ZP57K5E-TFD	H83R563DBE	XNH562HA	HLH061T4	SR061S	
			XNH562HE	HRH056U4		
			XNH562HU			
ZP61K5E-TFE	ZP57K5E-TFE	H83R563DBF	XNJ562HA	HLH061T7		
			XNJ562HE	HRH056U7		
			XNJ562HU			

Code	Hz-Phase-Volts
PFV	60-1-208/230
PFJ	60-1-265
TF5	60-3-200/230
TFD	60-3-460
TFE	60-3-575
TF7	60-3-380

Copeland™ ZPSK5 UltraTech™ Single Phase Compressor Models

Tonnage	ZPSK5 Preferred Wholesale Model	ZPSK4
2T	ZPS20K5E-PFV	ZPS20K4E-PFV
	ZPS20K5E-PFJ	ZPS20K4E-PFJ
	ZPS21K5E-PFV	
	ZPS26K5E-PFV	ZPS26K4E-PFV
	ZPS26K5E-PFJ	
3T	ZPS30K5E-PFV	ZPS30K4E-PFV
	ZPS30K5E-PFJ	
	ZPS31K5E-PFV	
	ZPS35K5E-PFV	ZPS35K4E-PFV
	ZPS40K5E-PFV	ZPS40K4E-PFV
4T	ZPS40K5E-PFJ	
	ZPS49K5E-PFV	ZPS49K4E-PFV
	ZPS51K5E-PFV	ZPS51K4E-PFV
5T	ZPS51K5E-PFJ	
	ZPS60K5E-PFV	ZPS60K4E-PFV

Code	Hz-Phase-Volts
PFV	60-1-208/230
PFJ	60-1-265
TF5	60-3-200/230
TFD	60-3-460
TFE	60-3-575
TF7	60-3-380

Copeland™ ZPSK5 UltraTech™ Three Phase Compressor Models

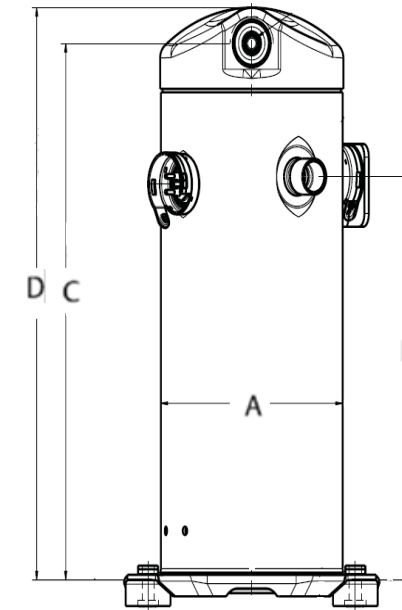
Tonnage	ZPSK5 Preferred Wholesale Model	ZPSK4
2T	ZPS20K5E-TF5	ZPS20K4E-TF5
	ZPS20K5E-TFD	ZPS20K4E-TFD
	ZPS26K5E-TF5	
	ZPS26K5E-TFD	
	ZPS26K5E-TFE	
3T	ZPS30K5E-TF5	ZPS30K4E-TF5
	ZPS30K5E-TFD	ZPS30K4E-TFD
	ZPS30K5E-TFE	ZPS30K4E-TFE
	ZPS35K5E-TF5	ZPS35K4E-TF5
	ZPS35K5E-TFD	ZPS35K4E-TFD
	ZPS40K5E-TF5	ZPS40K4E-TF5
	ZPS40K5E-TFD	ZPS40K4E-TFD
ZPS40K5E-TFE	ZPS40K4E-TFE	
4T	ZPS49K5E-TF5	ZPS49K4E-TF5
	ZPS49K5E-TFD	ZPS49K4E-TFD
	ZPS49K5E-TFE	
	ZPS51K5E-TF5	ZPS51K4E-TF5
	ZPS51K5E-TFD	ZPS51K4E-TFD
5T	ZPS51K5E-TFE	ZPS51K4E-TFE
	ZPS60K5E-TF5	ZPS60K4E-TF5
	ZPS60K5E-TFD	ZPS60K4E-TFD
	ZPS60K5E-TFE	ZPS60K4E-TFE

Copeland Scroll™ ZPK5 R-410A Compressor Cross Reference Guide



Copeland Scroll™ UltraTech™ ZPSK5 R-410A Service Compressor Specification Chart

Model	ARI Capacity Btu/hr	MCC	RLA Amps (MCC/1.4)	LRA Amps	Run Cap (MFD / Volts)	Start Cap. (MFD / Volts) (optional)	Relay P/N (optional)	Diameter Inches (A)	Suction Height Inches (B)	Discharge Height Inches (C)	Height Inches (D)	Discharge Diameter Inches	Suction Diameter Inches	Weight Lbs.
ZPS20K5E-PFJ	20200	14.2	10.3	54	40/370	88-106/330	040-0166-37	5.5	10.4	14.3	15.3	1/2	3/4	47
ZPS20K5E-PFV	20200	18.2	13	58.3	35/370	88-106/330	040-0166-37	5.5	10.4	14.3	15.3	1/2	3/4	47
ZPS20K5E-TF5	20100	10.1	7.2	55.4	N/A	N/A	N/A	5.5	10.4	14.3	15.3	1/2	3/4	47
ZPS20K5E-TFD	20100	5.4	3.9	28	N/A	N/A	N/A	5.5	10.4	14.3	15.3	1/2	3/4	47
ZPS21K5E-PFV	21300	17.3	12.4	58.3	35/370	88-106/330	040-0166-37	5.5	10.4	14.3	15.3	1/2	3/4	47
ZPS26K5E-PFJ	26100	15.9	11.4	60	40/370	88-106/330	040-0166-37	5.5	10.4	14.3	15.3	1/2	3/4	47
ZPS26K5E-PFV	26400	20.4	14.6	73	40/370	88-106/330	040-0166-37	5.5	10.4	14.3	15.3	1/2	3/4	47
ZPS26K5E-TF5	26100	13.5	9.6	58	N/A	N/A	N/A	5.5	10.4	14.3	15.3	1/2	3/4	47
ZPS26K5E-TFD	26100	6.7	4.8	28	N/A	N/A	N/A	5.5	10.4	14.3	15.3	1/2	3/4	47
ZPS26K5E-TFE	26100	5.4	3.9	24	N/A	N/A	N/A	5.5	10.4	14.3	15.3	1/2	3/4	47
ZPS30K5E-PFJ	30600	20.3	14.5	72	60/370	88-106/330	040-0166-37	5.5	10.4	14.3	15.3	1/2	3/4	50
ZPS30K5E-PFV	30600	23.8	17	83	40/370	88-106/330	040-0166-37	5.5	10.4	14.3	15.3	1/2	3/4	50
ZPS30K5E-TF5	30600	18.1	12.9	73	N/A	N/A	N/A	5.5	10.4	14.3	15.3	1/2	3/4	50
ZPS30K5E-TFD	30600	8.9	6.4	38	N/A	N/A	N/A	5.5	10.4	14.3	15.3	1/2	3/4	50
ZPS30K5E-TFE	30600	6.2	4.4	25.6	N/A	N/A	N/A	5.5	10.4	14.3	15.3	1/2	3/4	50
ZPS31K5E-PFV	31500	23.8	17	83	40/370	88-106/330	040-0166-37	5.5	10.4	14.3	15.3	1/2	3/4	50
ZPS35K5E-PFV	36900	28	20	96	45/370	88-106/330	040-0166-37	6.5	11.6	15.4	16.5	1/2	7/8	73
ZPS35K5E-TF5	36900	22.1	15.8	88	N/A	N/A	N/A	6.5	11.6	15.4	16.5	1/2	7/8	73
ZPS35K5E-TFD	36800	9.7	6.9	44	N/A	N/A	N/A	6.5	11.6	15.4	16.5	1/2	7/8	73
ZPS40K5E-PFJ	41200	25	17.9	109.7	80/370	88-106/330	040-0166-37	6.5	11.6	15.4	16.5	1/2	7/8	73
ZPS40K5E-PFV	41100	33	23.6	104	30/370	88-106/330	040-0166-02	6.5	11.6	15.4	16.5	1/2	7/8	73
ZPS40K5E-TF5	41200	21.9	15.6	83.1	N/A	N/A	N/A	6.5	11.6	15.4	16.5	1/2	7/8	67
ZPS40K5E-TFD	41200	10	7.1	41	N/A	N/A	N/A	6.5	11.6	15.4	16.5	1/2	7/8	67
ZPS40K5E-TFE	41200	7.1	5.1	33	N/A	N/A	N/A	6.5	11.6	15.4	16.5	1/2	7/8	67
ZPS49K5E-PFV	49100	45	32.1	152.9	40/440	88-106/330	040-0166-02	6.5	11.6	15.4	16.5	1/2	7/8	77
ZPS49K5E-TF5	49800	25.3	18.1	110	N/A	N/A	N/A	6.5	11.6	15.4	16.5	1/2	7/8	73
ZPS49K5E-TFD	49800	11.9	8.5	52	N/A	N/A	N/A	6.5	11.6	15.4	16.5	1/2	7/8	73
ZPS49K5E-TFE	49600	8.3	5.9	38.9	N/A	N/A	N/A	6.5	11.6	15.4	16.5	1/2	7/8	73
ZPS51K5E-PFJ	51900	35	25	130	80/440	88-106/330	040-0166-37	6.5	11.6	15.4	16.5	1/2	7/8	77
ZPS51K5E-PFV	51900	42.3	30.2	152.9	40/440	88-106/330	040-0166-02	6.5	11.6	15.4	16.5	1/2	7/8	77
ZPS51K5E-TF5	52100	25.8	18.4	110	N/A	N/A	N/A	6.5	11.6	15.4	16.5	1/2	7/8	77
ZPS51K5E-TFD	52100	11.3	8.1	52	N/A	N/A	N/A	6.5	11.6	15.4	16.5	1/2	7/8	72
ZPS51K5E-TFE	52100	8.6	6.1	38.9	N/A	N/A	N/A	6.5	11.6	15.4	16.5	1/2	7/8	72
ZPS60K5E-PFV	60800	46.3	33.1	179.2	40/440	43-52/330	040-0166-02	6.5	11.6	16	17	1/2	7/8	96
ZPS60K5E-TF5	61000	27.4	19.6	136	N/A	N/A	N/A	6.5	11.6	16	17	1/2	7/8	79
ZPS60K5E-TFD	60900	13.2	9.5	66.1	N/A	N/A	N/A	6.5	11.6	16	17	1/2	7/8	79
ZPS60K5E-TFE	61000	9.9	7.1	55.3	N/A	N/A	N/A	6.5	11.6	16	17	1/2	7/8	79



Bottom Plate Mounting Pattern 7.5" x 7.5" (same as previous Copeland Models)

Rotalock™ Kit Part Numbers			
		Adapter	Seal
Suction	3/4" to 1-1/4"-12	998-0034-01	020-0028-02
Suction	7/8" to 1-1/4"-12	998-0034-02	020-0028-02
Discharge	1/2" to 1"-14	998-0034-15	020-0028-00

Additional Information :

Copeland ZPSK5 compressors are offered in an 800 bill-of-material option, such as ZPS26K5E-PFV-800, that includes the compressor with a 42 inch molded plug power harness, 53 inch molded plug control harness, mounting parts and installation instructions. Please refer to the installation instructions for the control harness upgrade requirements.

Parts	ZPS20-31K5E	ZPS35-60K5E	Description
Mounting kit	527-0044-15	527-0116-00	Mounting Grommets
Molded plug control harness (2-pin)	529-0138-01		53" Leads with Molex plug
Molded plug power harness (3-pin)	529-0370-00		42"-#10AWG Leads, L1/C-Black, L2/S-Charcoal gray, L2/R-Light gray

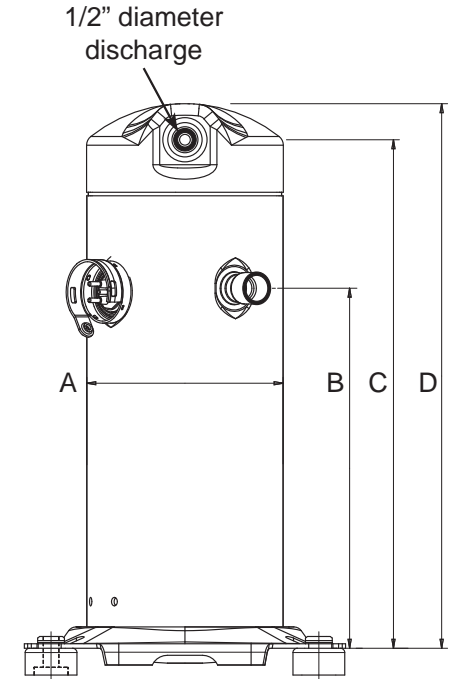
ZPSK5 Product Brochure (2002ECT-165 R6)

Notice to the Servicer :

Please review the electrical characteristics when replacing UT 1.0 (ZPS*K4E) with UT 2.0 (ZPS*K5E) in the field. A different run capacitor, contactor, or start capacitor/relay may be required when the compressor being replaced is a ZPS*K4E. Always use the new modulation plug control harness supplied with the new UltraTech ZPSK5 model.

Copeland Scroll™ ZPK5 R-410A Service Compressor Specification Chart

Model	ARI Capacity Btu/hr	MCC	RLA Amps (MCC/1.4)	LRA Amps	Run Cap (MFD / Volts)	Start Cap. (MFD / Volts) (optional)	Relay P/N (optional)	Diameter Inches (A)	Suction Height Inches (B)	Discharge Height Inches (C)	Height Inches (D)	Suction Diameter Inches	Weight Lbs.
ZP14K5E-PFV	14650	14	10	46	30/370	88-106/330	040-0166-07	5.5	10.3	14.2	15.3	3/4	50
ZP16K5E-PFJ	15500	11	7.9	43	35/370	88-106/330	040-0166-37	5.5	10.3	14.2	15.3	3/4	49
ZP16K5E-PFV	15500	14	10	48	30/370	88-106/330	040-0166-37	5.5	10.3	14.2	15.3	3/4	47
ZP20K5E-PFJ	20000	14	10	54	40/370	88-106/330	040-0166-37	5.5	10.3	14.2	15.3	3/4	49
ZP20K5E-PFV	20000	21	15	58.3	35/370	88-106/330	040-0166-37	5.5	10.3	14.2	15.3	3/4	47
ZP20K5E-TF5	20000	11	7.9	55.4	N/A	N/A	N/A	5.5	10.3	14.2	15.3	3/4	48
ZP20K5E-TFD	20000	5.5	3.9	28	N/A	N/A	N/A	5.5	10.3	14.2	15.3	3/4	48
ZP20K5E-TFE	20000	4.6	3.3	24.5	N/A	N/A	N/A	5.5	10.3	14.2	15.3	3/4	48
ZP21K5E-PFJ	21300	15	10.7	54	40/370	88-106/330	040-0166-37	5.5	10.3	14.2	15.3	3/4	49
ZP21K5E-PFV	21300	20	14.3	58.3	40/370	88-106/330	040-0166-37	5.5	10.3	14.2	15.3	3/4	47
ZP21K5E-TF5	21000	12	8.6	55.4	N/A	N/A	N/A	5.5	10.3	14.2	15.3	3/4	48
ZP21K5E-TFD	21300	5.6	4	28	N/A	N/A	N/A	5.5	10.3	14.2	15.3	3/4	48
ZP21K5E-TFE	21300	4.6	3.3	24.5	N/A	N/A	N/A	5.5	10.3	14.2	15.3	3/4	48
ZP24K5E-PFJ	24000	17	12.1	60	40/370	88-106/330	040-0166-37	5.5	10.3	14.2	15.3	3/4	49
ZP24K5E-PFV	24000	20	14.3	64	40/370	88-106/330	040-0166-37	5.5	10.3	14.2	15.3	3/4	48
ZP24K5E-TF5	24000	13	9.3	58	N/A	N/A	N/A	5.5	10.3	14.2	15.3	3/4	47
ZP24K5E-TFD	24000	8	5.7	28	N/A	N/A	N/A	5.5	10.3	14.2	15.3	3/4	47
ZP24K5E-TFE	24000	5.2	3.7	23.7	N/A	N/A	N/A	5.5	10.3	14.2	15.3	3/4	47
ZP25K5E-PFJ	25200	17.5	12.5	60	40/370	88-106/330	040-0166-37	5.5	10.3	14.2	15.3	3/4	50
ZP25K5E-PFV	25200	22	15.7	73	40/370	88-106/330	040-0166-37	5.5	10.3	14.2	15.3	3/4	48
ZP25K5E-TF5	25200	13.9	9.9	58	N/A	N/A	N/A	5.5	10.3	14.2	15.3	3/4	47
ZP25K5E-TFD	25200	6.5	4.6	28	N/A	N/A	N/A	5.5	10.3	14.2	15.3	3/4	47
ZP25K5E-TFE	25200	5.5	3.9	24	N/A	N/A	N/A	5.5	10.3	14.2	15.3	3/4	47
ZP28K5E-PFV	27900	25	17.9	77	45/370	88-106/330	040-0166-37	5.5	10.3	14.2	15.3	3/4	50
ZP28K5E-TF5	27900	15.6	11.1	71	N/A	N/A	N/A	5.5	10.3	14.2	15.3	3/4	48
ZP28K5E-TFD	27700	7.4	5.3	38	N/A	N/A	N/A	5.5	10.3	14.2	15.3	3/4	49
ZP28K5E-TFE	27700	5.8	4.1	28	N/A	N/A	N/A	5.5	10.3	14.2	15.3	3/4	48
ZP29K5E-PFJ	29000	19	13.6	72	60/370	88-106/330	040-0166-37	5.5	10.3	14.2	15.3	3/4	49
ZP29K5E-PFV	29000	22	15.7	77	45/370	88-106/330	040-0166-37	5.5	10.3	14.2	15.3	3/4	50
ZP29K5E-TF5	29000	14	10.4	71	N/A	N/A	N/A	5.5	10.3	14.2	15.3	3/4	48
ZP29K5E-TFD	29000	8.8	6.3	38	N/A	N/A	N/A	5.5	10.3	14.2	15.3	3/4	48
ZP29K5E-TFE	29000	5.9	4.2	36.5	N/A	N/A	N/A	5.5	10.3	14.2	15.3	3/4	48
ZP31K5E-PFJ	31100	21	15	72	60/370	88-106/330	040-0166-37	5.5	10.3	14.2	15.3	3/4	49
ZP31K5E-PFV	31100	26	18.6	79	45/370	88-106/330	040-0166-37	5.5	10.3	14.2	15.3	3/4	50
ZP31K5E-TF5	31200	16.3	11.6	73	N/A	N/A	N/A	5.5	10.3	14.2	15.3	3/4	48
ZP31K5E-TFD	31200	9	6.4	38	N/A	N/A	N/A	5.5	10.3	14.2	15.3	3/4	48
ZP31K5E-TFE	31100	5.9	4.2	36.5	N/A	N/A	N/A	5.5	10.3	14.2	15.3	3/4	48



Bottom Plate Mounting Pattern 7.5" x 7.5" (same as previous Copeland Models)

Rotalock™ Kit Part Numbers			
		Adapter	Seal
Suction	3/4" to 1-1/4"-12	998-0034-01	020-0028-02
Suction	7/8" to 1-1/4"-12	998-0034-02	020-0028-02
Discharge	1/2" to 1"-14	998-0034-15	020-0028-00

Additional Information:

Copeland Scroll ZPK5 service compressors are offered in an 800 bill-of-material option, such as ZP25K5E-PFV-800 that includes the compressor with a 42 inch molded plug wiring harness, mounting parts and installation instructions.

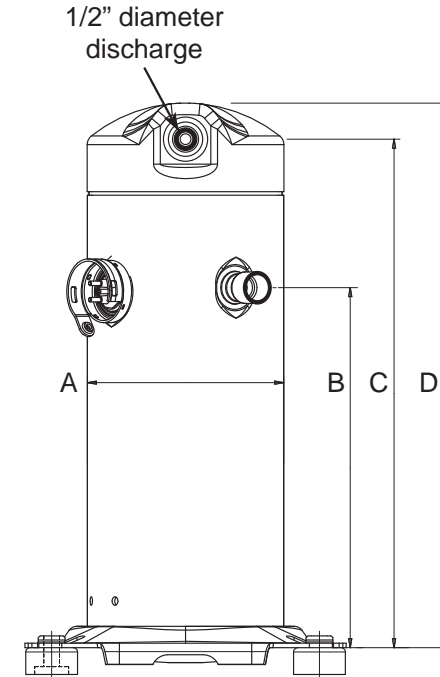
Other available information includes :

A/C Compressor Product Guide (2008ECT-113)
ZPK5 Product Brochure (2004ECT-182 R5)

For complete product details and additional information, visit EmersonClimate.com and select Online Product Information (OPI) or CopelandScroll.com

Copeland Scroll™ ZPK5 R-410A Service Compressor Specification Chart

Model	ARI Capacity Btu/hr	MCC	RLA Amps (MCC/1.4)	LRA Amps	Run Cap (MFD / Volts)	Start Cap. (MFD / Volts) (optional)	Relay P/N (optional)	Diameter Inches (A)	Suction Height Inches (B)	Discharge Height Inches (C)	Height Inches (D)	Suction Diameter Inches	Weight Lbs.
ZP34K5E-PFV	34500	28	20	112	45/370	88-106/330	040-0166-37	6.5	11.4	15.4	16.5	7/8	71
ZP34K5E-TF5	34600	20.6	14.7	88	N/A	N/A	N/A	6.5	11.4	15.4	16.5	7/8	64
ZP34K5E-TFD	34600	9.3	6.6	44	N/A	N/A	N/A	6.5	11.4	15.4	16.5	7/8	64
ZP34K5E-TFE	34600	6.5	4.6	30	N/A	N/A	N/A	6.5	11.4	15.4	16.5	7/8	64
ZP36K5E-PFJ	36000	25	17.9	87	60/370	88-106/330	040-0166-07	6.5	11.4	15.4	16.5	7/8	72
ZP36K5E-PFV	36000	28	20	112	45/370	88-106/330	040-0166-37	6.5	11.4	15.4	16.5	7/8	71
ZP36K5E-TF5	36000	21.1	15.1	88	N/A	N/A	N/A	6.5	11.4	15.4	16.5	7/8	64
ZP36K5E-TFD	36000	9.3	6.6	44	N/A	N/A	N/A	6.5	11.4	15.4	16.5	7/8	64
ZP36K5E-TFE	36000	7.7	5.5	34	N/A	N/A	N/A	6.5	11.4	15.4	16.5	7/8	64
ZP38K5E-PFV	37500	31	22.1	109	45/370	88-106/330	040-0166-37	6.5	11.4	15.4	16.5	7/8	72
ZP38K5E-TF5	38100	21.2	15.1	83.1	N/A	N/A	N/A	6.5	11.4	15.4	16.5	7/8	67
ZP38K5E-TFD	38100	9.5	6.8	41	N/A	N/A	N/A	6.5	11.4	15.4	16.5	7/8	67
ZP38K5E-TFE	38100	6.5	4.6	33	N/A	N/A	N/A	6.5	11.4	15.4	16.5	7/8	67
ZP39K5E-PFV	39000	31	22.1	109	45/370	88-106/330	040-0166-37	6.5	11.4	15.4	16.5	7/8	72
ZP39K5E-TF5	39000	20.5	14.6	83.1	N/A	N/A	N/A	6.5	11.4	15.4	16.5	7/8	67
ZP39K5E-TF7	39000	11.9	8.5	51.8	N/A	N/A	N/A	6.5	11.4	15.4	16.5	7/8	67
ZP39K5E-TFD	39000	9.5	6.8	41	N/A	N/A	N/A	6.5	11.4	15.4	16.5	7/8	67
ZP39K5E-TFE	39000	6.8	4.9	33	N/A	N/A	N/A	6.5	11.4	15.4	16.5	7/8	67
ZP42K5E-PFJ	42000	25.4	18.1	98	80/370	88-106/330	040-0166-37	6.5	11.4	15.4	16.5	7/8	73
ZP42K5E-PFV	42000	34	24.3	117	70/370	88-106/330	040-0166-37	6.5	11.4	15.4	16.5	7/8	73
ZP42K5E-TF5	41900	21.4	15.6	83.1	N/A	N/A	N/A	6.5	11.4	15.4	16.5	7/8	67
ZP42K5E-TFD	41900	9.7	6.9	41	N/A	N/A	N/A	6.5	11.4	15.4	16.5	7/8	67
ZP42K5E-TFE	42000	7.5	5.4	33	N/A	N/A	N/A	6.5	11.4	15.4	16.5	7/8	67
ZP44K5E-PFJ	44500	29.3	20.9	114	80/370	189-227/330	040-0166-07	6.5	11.4	15.4	16.5	7/8	73
ZP44K5E-PFV	44400	33.4	23.9	135	70/370	189-227/330	040-0166-37	6.5	11.4	15.4	16.5	7/8	74
ZP44K5E-TF5	44500	22.6	16.1	98	N/A	N/A	N/A	6.5	11.4	15.4	16.5	7/8	68
ZP44K5E-TF7	44900	13.8	9.9	64	N/A	N/A	N/A	6.5	11.4	15.4	16.5	7/8	67
ZP44K5E-TFD	44500	9.9	7.1	55	N/A	N/A	N/A	6.5	11.4	15.4	16.5	7/8	68
ZP44K5E-TFE	44500	9.4	6.7	41	N/A	N/A	N/A	6.5	11.4	15.4	16.5	7/8	68
ZP49K5E-PFJ	49200	33.3	23.8	130	70/370	88-106/330	040-0166-37	6.5	11.4	15.4	16.5	7/8	76
ZP49K5E-PFV	49400	39	27.9	134	70/370	88-106/330	040-0166-37	6.5	11.4	15.4	16.5	7/8	76
ZP49K5E-TF5	49700	24.8	17.7	110	N/A	N/A	N/A	6.5	11.4	15.4	16.5	7/8	73
ZP49K5E-TF7	49600	12.4	8.9	66	N/A	N/A	N/A	6.5	11.4	15.4	16.5	7/8	72
ZP49K5E-TFD	50000	11	7.9	52	N/A	N/A	N/A	6.5	11.4	15.4	16.5	7/8	73
ZP49K5E-TFE	49700	8	5.7	39.5	N/A	N/A	N/A	6.5	11.4	15.4	16.5	7/8	73
ZP51K5E-PFJ	51200	31	22.1	130	80/440	88-106/330	040-0166-37	6.5	11.4	15.4	16.5	7/8	76
ZP51K5E-PFV	51000	41.2	29.4	134	70/370	88-106/330	040-0166-37	6.5	11.4	15.4	16.5	7/8	76
ZP51K5E-TF5	51500	24.9	17.8	110	N/A	N/A	N/A	6.5	11.4	15.4	16.5	7/8	72
ZP51K5E-TF7	51600	13.3	9.5	66	N/A	N/A	N/A	6.5	11.4	15.4	16.5	7/8	73
ZP51K5E-TFD	51500	12.1	8.6	52	N/A	N/A	N/A	6.5	11.4	15.4	16.5	7/8	72
ZP51K5E-TFE	51000	8.9	6.4	38.9	N/A	N/A	N/A	6.5	11.4	15.4	16.5	7/8	71
ZP54K5E-PFJ	54000	31	22.1	128	80/440	88-106/330	040-0166-37	6.5	11.4	15.4	16.5	7/8	76
ZP54K5E-PFV	54000	41	29.3	134	80/370	88-106/330	040-0166-37	6.5	11.4	15.4	16.5	7/8	76
ZP54K5E-TF5	54300	24.4	17.4	110	N/A	N/A	N/A	6.5	11.4	15.4	16.5	7/8	72
ZP54K5E-TF7	53400	15.8	11.3	65.6	N/A	N/A	N/A	6.5	11.4	15.4	16.5	7/8	73
ZP54K5E-TFD	54300	12.1	8.6	52	N/A	N/A	N/A	6.5	11.4	15.4	16.5	7/8	71
ZP54K5E-TFE	54000	9.1	6.5	38.9	N/A	N/A	N/A	6.5	11.4	15.4	16.5	7/8	71
ZP57K5E-PFV	57000	44.2	31.6	178	80/370	88-106/330	040-0166-37	6.5	11.4	16	17	7/8	76
ZP57K5E-TF5	57500	30	21.4	136	N/A	N/A	N/A	6.5	11.4	16	17	7/8	76
ZP57K5E-TFD	57500	13.6	9.7	66.1	N/A	N/A	N/A	6.5	11.4	16	17	7/8	76
ZP57K5E-TFE	57500	10.7	7.6	55.3	N/A	N/A	N/A	6.5	11.4	16	17	7/8	76
ZP61K5E-PFV	61500	48	34.3	178	80/370	88-106/330	040-0166-37	6.5	11.4	16	17	7/8	77
ZP61K5E-TF5	61500	30.6	21.9	136	N/A	N/A	N/A	6.5	11.4	16	17	7/8	77
ZP61K5E-TFD	61500	12.8	9.1	66.1	N/A	N/A	N/A	6.5	11.4	16	17	7/8	77
ZP61K5E-TFE	61500	10.3	7.4	55.3	N/A	N/A	N/A	6.5	11.4	16	17	7/8	77



Bottom Plate Mounting Pattern 7.5" x 7.5" (same as previous Copeland Models)

Rotalock™ Kit Part Numbers			
		Adapter	Seal
Suction	3/4" to 1-1/4"-12	998-0034-01	020-0028-02
Suction	7/8" to 1-1/4"-12	998-0034-02	020-0028-02
Discharge	1/2" to 1"-14	998-0034-15	020-0028-00

Additional Information:

Copeland Scroll ZPK5 service compressors are offered in an 800 bill-of-material option, such as ZP25K5E-PFV-800 that includes the compressor with a 42 inch molded plug wiring harness, mounting parts and installation instructions.

Other available information includes :

A/C Compressor Product Guide (2008ECT-113)
ZPK5 Product Brochure (2004ECT-182 R5)

For complete product details and additional information, visit EmersonClimate.com and select Online Product Information (OPI) or Copeland Scroll.com.

Parts	ZP14-31K5E	ZP34-61K5E	Description
Mounting kit	527-0044-15	527-0116-00	Mounting Grommets
Molded power plug harness (3-pin)	529-0370-00		42"-#10AWG Leads, L1/C-Black, L2/S-Charcoal gray, L2/R-Light gray

EmersonClimate.com

2013ECT-1 (02/13) Emerson and Copeland Scroll are trademarks of Emerson Electric Co. or one of its affiliated companies ©2013 Emerson Climate Technologies, Inc. All rights reserved. Printed in the USA.

