

Installer: Save these instructions for future use!

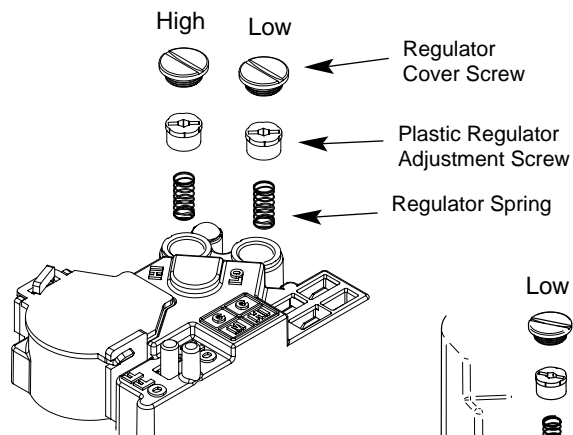
**FAILURE TO READ AND FOLLOW ALL INSTRUCTIONS CAREFULLY BEFORE
INSTALLING OR OPERATING THIS CONTROL COULD CAUSE PERSONAL
INJURY AND/OR PROPERTY DAMAGE.**

⚠ WARNING

This conversion kit shall be installed by a qualified service agency in accordance with the manufacturer's instructions and all applicable codes and requirements of the authority having jurisdiction. If the information in these instructions is not followed exactly, a fire, explosion, or production of carbon monoxide may result, causing property damage, personal injury, or loss of life. The qualified service agency performing the work assumes the responsibility for the proper conversion of this appliance with this kit.

APPLICATION

This conversion kit allows the 36G/H/J Series Two-Stage gas valves to be used on L.P. gas applications. **This conversion kit is for use on all 36G/H/J Two-Stage, fast and slow open models.**



**Figure 1. 36G and 36J
2-Stage models**

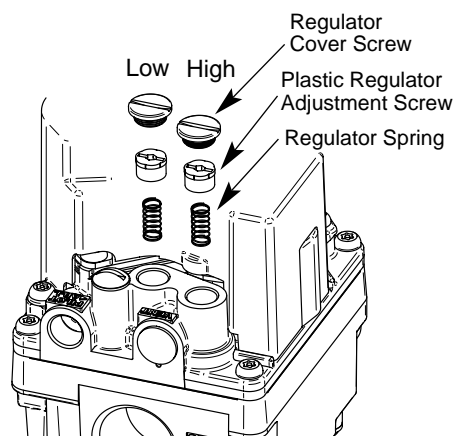


Figure 2. 36H 2-Stage models

TO CONVERT FROM NATURAL TO L.P. GAS

1. Remove both regulator cover screws.
2. Remove both regulator adjustment screws (beneath the cover screws).
3. Remove both Natural Gas regulator springs (color-coded silver/plain) from regulator sleeves.
4. Insert the L.P. regulator springs (provided in the conversion kit and color-coded white) into the regulator sleeves.
5. Replace the High regulator adjustment screw and adjust approximately 12 turns to the bottom stop.
6. Replace the Low regulator adjustment screw and adjust approximately 8 turns.
7. Adjust both outlet pressures to the appliance manufacturer's requirements.
8. Replace both regulator cover screws.
9. Attach the WARNING label (provided in the kit) to the gas valve where it can be readily seen. Also attach the small round L.P. labels to the top of the regulator cover screws.

Conversion back to Natural Gas use may be made at a later date by retaining the Natural Gas springs (removed in step 3, above) and following the same procedures.

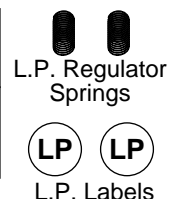


Figure 3. Contents of kit