



SUSTAINABLE BUILDING TECHNOLOGY

PRODUCT CATALOG

EFFECTIVE JANUARY 1, 2014

SUSTAINABLE BUILDING TECHNOLOGY

CHANNELING ENERGY AND WATER RESOURCES



REHAU produces PEXa pipe in Cullman, Alabama using a quality management system certified to the latest ISO 9001 standard.

What is sustainable building technology?

Sustainable products address some of our world's greatest challenges – rising energy costs, water shortages, decaying infrastructure. Not only must they conserve natural resources; they must also have a sustained impact on how we build.

Energy efficient. Cost effective. Easy to install. Reliable. And above all, comfortable. These are the targets for our sustainable solutions.

This catalog showcases REHAU's extensive range of PEXa pipe and compression-sleeve fitting solutions.

Whether you're a contractor doing your first radiant heating or geothermal job or a seasoned pro bidding on a large commercial radiant heating/cooling project, REHAU's industry-leading systems and services will help you get the best results.

Table of Contents	Section
Radiant Heating and Snow and Ice Melting Systems	1
Energy Transfer Piping Systems	2
RAUGEO™ Ground Loop Heat Exchange Systems.....	3
RAUPEX® Pipe for Plumbing	4

Front cover:

Developed as a model that can be replicated in communities throughout the United States, Sweetwater Spectrum provides a supported living community designed for the unique needs of autistic adults. The residential community, completed in 2012, was designed to help residents establish a familiar, comfortable and manageable environment that would also nurture their independence.

A REHAU radiant heating and cooling system helps control the sensory aspects of the living environment by providing a quiet, comfortable, high-efficiency HVAC system in the four 3,240 sq foot residences and 2,300 sq ft community center. Read the complete project profile at www.na.rehau.com/sweetwater

REHAU products used: RAUPEX® O₂ Barrier PEXa pipe, INSULPEX® energy transfer pipe and PRO-BALANCE® manifolds.

PROFESSIONAL SERVICES

SUPPLEMENT YOUR CAPACITY. BROADEN YOUR EXPERTISE.



REHAU Academy

Learn from the company with more than four decades of experience in the PEXa business.

www.na.rehau.com/academy

Promotional Program

Ads, point-of-sale materials and merchandise help you sell REHAU systems.

www.na.rehau.com/dealermaterial

Technical Support

Applications engineers address questions about code compliance, installation techniques and unique jobsite challenges.

Contact your REHAU representative

Design Services

System designers support you with calculations and layouts for your next PEXa project.

www.na.rehau.com/design



REHAU EDGESM

Our premier contractor development program rewards you with training, design services, products, tools and networking events.

www.na.rehau.com/edge

Website Resources

In our Resource Center, you will find all of our literature, technical manuals, submittals and reference projects.

www.na.rehau.com/resourcecenter

Design Software

REHAU LoopCAD[®] design software allows users to design radiant floor heating and snow and ice melting systems.

www.na.rehau.com/loopcaddesign



RADIANT HEATING AND SNOW AND ICE MELTING SYSTEMS

PRODUCT CATALOG
EFFECTIVE JANUARY 1, 2014

TABLE OF CONTENTS

1. RAUPEX® O ₂ Barrier Pipe	1.3	11. RAUPEX Compression Nut Fittings	1.31
2. Radiant Heating Plate Systems	1.5	12. EVERLOC Ball Valves	1.32
3. Radiant Heating Panel Systems.	1.6	13. Compression Nut Ball Valves.	1.33
4. Radiant Heating Mat Systems	1.7	14. Copper Manifolds.	1.34
5. PRO-BALANCE® 1 in. Brass Manifold.	1.8	15. Copper-EVERLOC Manifolds.	1.35
6. PRO-BALANCE 1 1/4 in. Brass Manifold	1.9	16. Installation Accessories.	1.36
7. PRO-BALANCE Brass Manifolds – Accessories and Replacement Parts	1.10	17. RAUTOOL™ PEX Pipe Installation Tools	1.40
8. REHAU Smart Controls.	1.17	18. Electronic Controls	1.46
9. Zone Controls and Thermostats.	1.21	19. Mixing Valves.	1.48
10. EVERLOC® Fittings	1.26	20. Hydronic Accessories	1.51



For updates to this publication and the most current technical instructions, safety information and manufacturer's recommendations, visit na.rehau.com/resourcecenter

1.

RAUPEX O₂ BARRIER PIPE



RAUPEX O₂ barrier pipe is manufactured using REHAU's high-pressure peroxide method for crosslinked polyethylene (PEXa). RAUPEX O₂ barrier pipe has a co-extruded oxygen diffusion barrier that exceeds the strict requirements of DIN 4726. All RAUPEX O₂ barrier pipe meets or exceeds the requirements of ASTM F876, F877, CSA B137.5 and PPI TR-3. RAUPEX O₂ barrier pipe also complies with the requirements of the CSA B214 installation code for hydronic heating systems. RAUPEX O₂ barrier pipe is manufactured by REHAU in a plant using a quality management system that is certified to ISO 9001.

3/8 in. RAUPEX O₂ Barrier Pipe

Article No.	Description	Package Quantity	Unit Weight		Minimum Order
			kg	lb	
136008-500	3/8 in. RAUPEX O ₂ Barrier Pipe, 500 ft coil (152.4 m)	500 ft	10.5	23.1	1 coil
136008-000	3/8 in. RAUPEX O ₂ Barrier Pipe, 1000 ft coil (304.8 m)	1000 ft	21.0	46.2	1 coil

3/8 in. pipe average capacity is 0.0050 US gallons per foot (0.0624 l/m).

1/2 in. RAUPEX O₂ Barrier Pipe

Article No.	Description	Package Quantity	Unit Weight		Minimum Order
			kg	lb	
136031-300	1/2 in. RAUPEX O ₂ Barrier Pipe, 300 ft coil (91.4 m)	300 ft	7.8	17.2	1 coil
136031-500	1/2 in. RAUPEX O ₂ Barrier Pipe, 500 ft coil (152.4 m)	500 ft	13.1	28.9	1 coil
136031-000	1/2 in. RAUPEX O ₂ Barrier Pipe, 1000 ft coil (304.8 m)	1000 ft	26.3	57.9	1 coil
		5 (100 ft)			
136031-150	1/2 in. RAUPEX O ₂ Barrier Pipe, 500 ft (152.4 m)	coils/box	13.1	28.9	1 box

1/2 in. pipe average capacity is 0.0098 US gallons per foot (0.1222 l/m).

5/8 in. RAUPEX O₂ Barrier Pipe

Article No.	Description	Package Quantity	Unit Weight		Minimum Order
			kg	lb	
136880-400	5/8 in. RAUPEX O ₂ Barrier Pipe, 400 ft coil (121.8 m)	400 ft	16.3	35.9	1 coil
136880-000	5/8 in. RAUPEX O ₂ Barrier Pipe, 1000 ft coil (304.8 m)	1000 ft	35.9	79.1	1 coil

5/8 in. pipe average capacity is 0.0134 US gallons per foot (0.1671 l/m).

3/4 in. RAUPEX O₂ Barrier Pipe

Article No.	Description	Package Quantity	Unit Weight		Minimum Order
			kg	lb	
136051-100	3/4 in. RAUPEX O ₂ Barrier Pipe, 100 ft coil (30.5 m)	100 ft	4.9	10.9	1 coil
136051-300	3/4 in. RAUPEX O ₂ Barrier Pipe, 300 ft coil (91.4 m)	300 ft	14.7	32.4	1 coil
136051-500	3/4 in. RAUPEX O ₂ Barrier Pipe, 500 ft coil (152.4 m)	500 ft	24.6	54.3	1 coil
136051-000	3/4 in. RAUPEX O ₂ Barrier Pipe, 1000 ft coil (304.8 m)	1000 ft	49.2	108.5	1 coil

3/4 in. pipe average capacity is 0.0189 US gallons per foot (0.2356 l/m).

1 in. RAUPEX O₂ Barrier Pipe

Article No.	Description	Package Quantity	Unit Weight		Minimum Order
			kg	lb	
136011-100	1 in. RAUPEX O ₂ Barrier Pipe, 100 ft coil (30.5 m)	100 ft	7.9	17.5	1 coil
136011-500	1 in. RAUPEX O ₂ Barrier Pipe, 500 ft coil (152.4 m)	500 ft	39.7	87.5	1 coil

1 in. pipe average capacity is 0.0316 US gallons per foot (0.3939 l/m).

1 1/4 in. RAUPEX O₂ Barrier Pipe

Article No.	Description	Package Quantity	Unit Weight		Minimum Order
			kg	lb	
136283-100	1 1/4 in. RAUPEX O ₂ Barrier Pipe, 100 ft coil (30.5 m)	100 ft	11.4	25.0	1 coil

1 1/4 in. pipe average capacity is 0.0467 US gallons per foot (0.5827 l/m).

1 1/2 in. RAUPEX O₂ Barrier Pipe

Article No.	Description	Package Quantity	Unit Weight		Minimum Order
			kg	lb	
136293-100	1 1/2 in. RAUPEX O ₂ Barrier Pipe, 100 ft coil (30.5 m)	100 ft	16.0	35.0	1 coil

1 1/2 in. pipe average capacity is 0.0650 US gallons per foot (0.8118 l/m).

2 in. RAUPEX O₂ Barrier Pipe

Article No.	Description	Package Quantity	Unit Weight		Minimum Order
			kg	lb	
136303-100	2 in. RAUPEX O ₂ Barrier Pipe, 100 ft coil (30.5 m)	100 ft	27.4	60.0	1 coil

2 in. pipe average capacity is 0.1114 US gallons per foot (1.3906 l/m).

**RAUPEX O₂ Barrier Pipe 20 ft Straight Lengths**

Article No.	Description	Package Quantity	Unit Weight		Minimum Order
			kg	lb	
136051-020	3/4 in. RAUPEX O ₂ Barrier Pipe, 20 ft (6.1 m)	25 pcs (500 ft)	1.0	2.2	1 bag
136011-020	1 in. RAUPEX O ₂ Barrier Pipe, 20 ft (6.1 m)	25 pcs (500 ft)	1.6	3.5	1 bag
136283-020	1 1/4 in. RAUPEX O ₂ Barrier Pipe, 20 ft (6.1 m)	5 pcs (100 ft)	2.3	5.0	1 bag
136293-020	1 1/2 in. RAUPEX O ₂ Barrier Pipe, 20 ft (6.1 m)	5 pcs (100 ft)	3.2	7.0	1 bag
136303-020	2 in. RAUPEX O ₂ Barrier Pipe, 20 ft (6.1 m)	5 pcs (100 ft)	5.5	12.0	1 bag

Same capacities as RAUPEX O₂ barrier pipe sold in coils.

2.

RADIANT HEATING PLATE SYSTEMS

Aluminum heat transfer plates are used in joist space installations to enhance heat transfer and improve efficiency. Radiant heating plate systems outperform talon-up joist space construction installations. Plate systems are suitable for both new construction and retrofit residential applications.

**RAUPLATE™ Radiant Heating System**

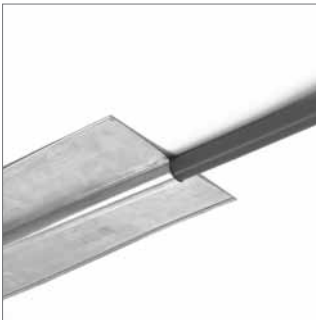
Article No.	Description	Nominal Length		Package Quantity	Unit Weight		Minimum Order
		m	ft		kg	lb	
298926-001	RAUPLATE Heat Transfer Plate for 1/2 in. RAUPEX	1.2	4	20 pcs/box	0.70	1.50	1 box

RAUPLATE heat transfer plates are designed with two pipe channels 8 in. on-center. RAUPLATE is screwed to the underside of the subfloor in the joist space and RAUPEX pipe snaps into the plates for a convenient installation. Plates are 8.7 x 47 in (22 x 119 cm).

**Heat Transfer Plates, Heavy Gauge**

Article No.	Description	Package Quantity	Unit Weight		Minimum Order
			g	lb	
235962	Heat Transfer Plate, Heavy Gauge for 3/8 in. RAUPEX	20 pcs/carton	495	1.09	1 carton
235972	Heat Transfer Plate, Heavy Gauge for 1/2 in. RAUPEX	20 pcs/carton	509	1.12	1 carton

These extruded aluminum heat transfer plates are used in joist space installations to maximize heat transfer and improve efficiency. The unique design allows the heat transfer plates to be screwed into the joist space and RAUPEX pipe to snap into the plates for convenient installation. Plates are 3.5 x 48 in (8.9 x 121.9 cm) with pre-drilled 1/8 in. holes for ease of installation.

**Heat Transfer Plates, Light Gauge**

Article No.	Description	Package Quantity	Unit Weight		Minimum Order
			g	lb	
270701	Heat Transfer Plate, Light Gauge for 1/2 in. RAUPEX	100 pcs/carton	110	0.25	1 carton

Aluminum heat transfer plates are used in joist space installations to enhance heat transfer and improve efficiency. RAUPEX pipes snap into plates for convenient installation. Plates are 5 x 24 in (12.7 x 61 cm) with roll-formed edges to increase rigidity and safety.

3.

RADIANT HEATING PANEL SYSTEMS

Radiant heating panel systems are installed directly on top of the subfloor, and for some installations in walls or ceilings underneath the gypsum board. Panel systems are considered low mass and offer faster response times compared to walloppour or slab construction. Panels are easier and faster to install. Radiant heating panel systems are suitable for both new construction and retrofit residential applications.

RAUPANEL™ High-Performance Radiant Heating System



Article No.	Description	Package Quantity	Unit Weight		Minimum Order
			kg	lb	
235307	RAUPANEL (6 ft lengths)	96 ft / 16 pcs/box	1.73	3.80	1 box
235327-PLY	RAUPANEL 6 in. Plywood Return Bend (4 returns)	32 ft / 8 pcs/box	1.82	4.00	1 box
235337-PLY	RAUPANEL 8 in. Plywood Return Bend (3 returns)	32 ft / 8 pcs/box	2.05	4.50	1 box
235377-PLY	RAUPANEL 2 in. Plywood Furring Strip	136 ft / 34 pcs/box	0.45	1.00	1 box
235387	Deburring Tool	10 pcs/box	0.02	0.05	1 box

Furring strips are to be used in conjunction with 8 in. return bends to facilitate proper spacing of RAUPANEL and to provide a nailing surface for the floor covering. Reference the table below for product dimensions and square footage. Be sure to read the RAUPANEL System Installation Guide (855.625) for instructions on design and use of this product. RAUPANEL is 5/8 in. thick.

Table of Dimensions

Article No.	Dimensions L x W x H	ft ² /pc	ft ² /pkg	m ² /pc	m ² /pkg
235307	72 x 6 x 5/8 in.	3.0	48.0	0.279	4.459
235327-PLY	48 x 8 x 5/8 in.	2.7	21.3	0.251	1.979
235337-PLY	48 x 9 x 5/8 in.	3.0	24.0	0.279	2.230
235377-PLY	48 x 1 15/16 x 5/8 in.	0.7	22.7	0.065	2.110



RAUBOARD™ Radiant Heating System



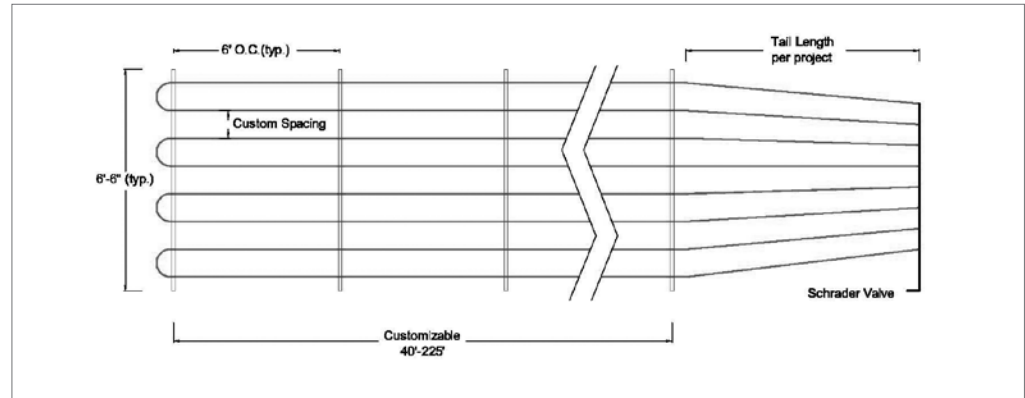
Article No.	Description	Package Quantity	Unit Weight		Minimum Order
			kg	lb	
298896-001	RAUBOARD Double Groove	6 pcs/bundle	2.3	5.0	1 bundle
298796-001	RAUBOARD Single Groove	6 pcs/bundle	1.1	2.5	1 bundle
298396-001	RAUBOARD Return Groove	6 pcs/bundle	1.1	2.4	1 bundle
136549-001	10 mm RAUPEX O ₂ Barrier Pipe, 1000 ft coil (304.8 m)	1000 ft	11.8	26.0	1 coil
136549-500	10 mm RAUPEX O ₂ Barrier Pipe, 500 ft coil (152.4 m)	500 ft	5.9	13.0	1 coil
200526-001	10 mm EVERLOC Coupling	10 pcs/box	0.02	0.04	1 box
200536-001	10 mm EVERLOC Sleeve	10 pcs/box	0.01	0.02	1 box
200546-001	10 mm RAUPEX x R-20 Brass Manifold Outlet	2 pcs/bag	0.06	0.14	1 bag
228950-002	10 mm Polymer Support Bend	100 pcs/box	0.02	0.06	1 box
228396-001	RAUTOOL K10 Tool Kit	1	2.3	5.0	1

RAUBOARD low-profile heat transfer panels are used in floors, walls and ceilings to efficiently and evenly distribute heat from REHAU RAUPEX pipe into the room. Panels are installed between the subfloor and the finished floor or between the joists and the wall/ceiling coverings. After screwing the panels to the subfloor or wall/ceiling joists, the 10.1 mm RAUPEX pipe snaps into the groove for convenient installation. A small bead of silicone is applied to the groove before installing the pipe. RAUBOARD panels are 1/2 in. thick with pipe spacing of 6 in (152 mm) on-center.

4.

RADIANT HEATING MAT SYSTEM

RAUMAT™ is a pre-assembled roll of RAUPEX O₂ barrier pipe intended for radiant heating and cooling systems to be installed in large, open slab areas. RAUMAT is custom designed and built to project specific requirements. The installer can roll out the mat instead of individually installing each radiant piping circuit. Contact your local REHAU sales office for availability. RAUMAT is custom-made for each project, therefore article numbers, pricing, and lead times vary.



RAUMAT with 3/4 in. RAUPEX Pipe

Options	
Length	Custom lengths 40 to 250 ft
Width	Custom width up to 6.5 ft
Spacing	Custom spacing
Pipe	RAUPEX O ₂ Barrier 3/4 in.
Circuits	Up to 5 circuits per RAUMAT (equal length)
Tails	Customizable per project requirements
Supports	PEX rails every 6 ft
Pre-pressurazation	Pressure tested at factory (20 psi), kept under pressure when delivered to project site

RAUMAT is custom-made for each project, therefore article numbers, pricing, and lead times vary. Contact your local REHAU sales office for availability.

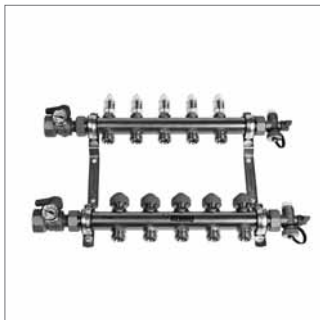
RAUMAT with 5/8 in. RAUPEX Pipe

Options	
Length	Custom lengths 40 to 250 ft
Width	Custom width up to 6.5 ft
Spacing	Custom spacing (1 in. O.C. increments)
Pipe	RAUPEX O ₂ Barrier 5/8 in.
Circuits	Up to 5 circuits per RAUMAT (equal length)
Tails	Customizable per project requirements
Supports	PEX rails every 6 ft
Pre-pressurazation	Pressure tested at factory (20 psi), kept under pressure when delivered to project site

RAUMAT is custom-made for each project, therefore article numbers, pricing, and lead times vary. Contact your local REHAU sales office for availability.

5.

PRO-BALANCE 1 IN. BRASS MANIFOLD



PRO-BALANCE 1 in. Brass Manifold With Gauges

Article No.	Stations	Manifold Length		Package Quantity	Unit Weight		Minimum Order
		mm	in		kg	lb	
240021-100	2	310	12.20	1	2.8	6.2	1
240031-100	3	365	14.37	1	3.2	7.1	1
240041-100	4	420	16.54	1	3.6	8.0	1
240051-100	5	475	18.70	1	4.0	8.9	1
240061-100	6	530	20.87	1	4.4	9.8	1
240071-100	7	585	23.03	1	4.9	10.7	1
240081-100	8	640	25.20	1	5.2	11.6	1
240091-100	9	695	27.36	1	5.7	12.5	1
240101-100	10	750	29.53	1	6.0	13.3	1
240111-100	11	805	31.69	1	6.5	14.3	1
240121-100	12	860	33.86	1	6.9	15.1	1

Delivered pre-assembled and ready to install. Use with 3/8, 1/2, 5/8 and 3/4 in. RAUPEX pipe. Compatible with manifold valve actuator. Order manifold-to-pipe connectors separately (see R-20 compression-style manifold connections in the PRO-BALANCE Accessories and Replacement Parts section).

Each PRO-BALANCE 1 in. manifold comes complete with the following:

- Installation instructions
- 1 in. NPT supply and return manifold isolation valves with gaskets and mini thermometers
- Air vent drain valves with gaskets
- Visual flow gauges/isolation valves (0 to 2 GPM) on supply side
- Circuit balancing/isolation valves on return side
- Mounting brackets
- Four drywall screws and four sheet metal screws
- Vent keys
- Manifold circuit chart

Notes:

- Manifold lengths above include the isolation ball valve 2.44 in (62 mm) and the air vent/boiler drain valves 2.24 in (57 mm)
- Maximum flow is 2.0 GPM (0.13 l/s) per circuit; and a total manifold flow of no more than 20 GPM (1.26 l/s)
- Depth of manifold is 3.75 in (9.5 cm) with bracket, valve, and mini thermometer installed
- Can be joined to other manifold sections using 1 in. BSPP unions (Art. 260407) or 1 in. BSPF x 1 in. BSPF x 1 1/4 in. BSPM union tee (Art. 250227-001, see PRO-BALANCE Accessories and Replacement Parts section)

6.

PRO-BALANCE 1 1/4 IN. BRASS MANIFOLD



PRO-BALANCE 1 1/4 in. Brass Manifold With Gauges

Article No.	Stations	Manifold Length		Package Quantity	Unit Weight		Minimum Order
		mm	in		kg	lb	
281841-100	4	398	15.08	1	5.0	11.0	1
281851-100	5	453	17.06	1	5.4	12.0	1
281861-100	6	508	19.02	1	6.0	13.1	1
281871-100	7	563	20.99	1	6.5	14.2	1
281881-100	8	618	22.95	1	6.9	15.3	1
281891-100	9	673	24.92	1	7.5	16.4	1
281801-100	10	728	26.89	1	9.2	20.3	1

Delivered pre-assembled and ready to install. Use with 3/8, 1/2, 5/8 and 3/4 in. RAUPEX pipe. Compatible with manifold valve actuator Art. 260166 (see PRO-BALANCE Accessories and Replacement Parts section). Order manifold-to-pipe connectors separately (see R-20 compression-style manifold connections in the PRO-BALANCE Accessories and Replacement Parts section).

Each manifold comes complete with:

- Installation instructions
- 1 1/4 in. NPT supply and return manifold isolation ball valves with thermometer sockets and flat gaskets
- Two 1 1/4 in. BSPP brass end caps with gaskets
- Visual flow gauges/isolation valves (0 to 4 GPM) on supply side
- Circuit balancing/isolation valves on return side
- Mounting brackets
- Four drywall screws
- Vent key
- Manifold circuit chart

Notes:

- Mini thermometers Art. 250218 sold separately
- Manifold lengths above include the isolation ball valve 3.86 in (98 mm)
- Maximum flow is 4.0 GPM (0.25 l/s) per circuit; 40 GPM (2.52 l/s) total
- Depth of manifold is 4.50 in (11.4 cm) with bracket, valve, and mini thermometer installed
- Can be joined to other manifold sections using 1 1/4 in. BSPP unions (Art. 281971-001) or 1 1/4 in. BSPF x 1 1/4 in. BSPF x 1 1/4 in. BSPM union tee (Art. 250228-001, see PRO-BALANCE Accessories and Replacement Parts section).

7.

PRO-BALANCE BRASS MANIFOLDS – ACCESSORIES AND REPLACEMENT PARTS



RAUPEX Connections for PRO-BALANCE Brass Manifolds

Article No.	Description	Package Quantity			Unit Weight		Minimum Order
		Bag	Box	Carton	g	lb	
267507-101	3/8 in. RAUPEX x R-20 Brass Manifold Outlet	2	40	240	76	0.17	1 bag/2 connectors
261007-101	1/2 in. RAUPEX x R-20 Brass Manifold Outlet	2	40	240	73	0.16	1 bag/2 connectors
267557-101	5/8 in. RAUPEX x R-20 Brass Manifold Outlet	2	40	240	73	0.16	1 bag/2 connectors
267007-101	3/4 in. RAUPEX x R-20 Brass Manifold Outlet	2	24	144	132	0.29	1 bag/2 connectors
267007-100	EPDM O-ring for RAUPEX Insert to R-20 Connection	10	500	n/a	0.91	0.002	1 bag/10 rings

For use with 1 and 1 1/4 in. PRO-BALANCE manifolds. 3/8, 1/2 and 5/8 in. fittings include insert with O-ring, split brass ring and compression nut. 3/4 in. fitting includes R-20 x 1 in. bushing, 3/4 in. insert with O-ring, split brass ring and compression nut.



PRO-BALANCE Brass Manifold Replacement Flow Gauges

Article No.	Description	Package Quantity	Unit Weight		Minimum Order
			g	lb	
250220-002	PRO-BALANCE 1 in. Flow Gauge Replacement Kit	1	85	0.19	1
281901-002	PRO-BALANCE 1 1/4 in. Flow Gauge Replacement Kit	1	85	0.19	1

PRO-BALANCE flow gauge kits can be used to replace the old- and new-style PRO-BALANCE flow gauges on the supply side of the PRO-BALANCE brass manifolds and connect directly with a 3/8 in. threaded connection. The replacement flow gauges have an integrated shutoff valve that is manually activated with a common vent key. For operation of the flow gauge shutoff valve, refer to REHAU PRO-BALANCE Manifold Product Instructions (855.661 for 1 in. and 855.662 for 1 1/4 in.). Install using thread sealant.



PRO-BALANCE Brass Manifold Circuit Balancing/Isolation Valve

Article No.	Description	Package Quantity	Unit Weight		Minimum Order
			g	lb	
250221	PRO-BALANCE Circuit Balancing/Isolation Valve	1	90	0.19	1

Replacement circuit balancing/isolation valve for the return side of the 1 and 1 1/4 in. PRO-BALANCE manifold. Install using thread sealant.



PRO-BALANCE Brass Manifold Flow Setter Valves

Article No.	Description	Package Quantity	Unit Weight		Minimum Order
			g	lb	
244807-001	1/2 to 4 GPM PRO-BALANCE Flow Setter Valve	1	760	1.67	1
244817-001	1 to 9 GPM PRO-BALANCE Flow Setter Valve	1	760	1.67	1

PRO-BALANCE flow setter valves are used to set flow to PRO-BALANCE 1 in. manifolds and can be installed in-line into any pipe feeding a manifold. This is ideal when multiple manifolds are fed from a single circulator and flow needs to be set correctly to each. PRO-BALANCE flow setter valves are also used in variable speed injection pump mixing systems to set the flow through the injection loop.

PRO-BALANCE flow setter valves are supplied with two gaskets and adapters converting to 1 in. MPT.



PRO-BALANCE Brass Manifold Flow-Stop Circuit Valve

Article No.	Description	Package Quantity	Unit Weight		Minimum Order
			kg	lb	
250224	PRO-BALANCE Flow-Stop Circuit Valve	5/box	0.12	0.26	1 box

This brass 1/4 turn ball valve attaches to R-20 circuit outlets on the supply side of 1 and 1 1/4 in. PRO-BALANCE manifolds to allow for complete shut-off. Standard 1/4 in. vent key (supplied with each manifold) is used to operate the valve. Install flow-stop valves by hand onto R-20 outlets of the PRO-BALANCE 1 in. manifold. Do not use thread sealant. Thread the valve clockwise until it stops. If necessary, back the valve off to align the valve stem with the front of the manifold.



NPT Valve Set with Thermometer Housings for PRO-BALANCE 1 in. Brass Manifold

Article No.	Description	Package Quantity	Unit Weight		Minimum Order
			g	lb	
250216	1 in. NPT Valve Set w/ Thermometer Housings	Set of 2	420	0.92	1 set

These valves have integrated thermometer housings on each side of the valve bodies. Mini thermometers (Art. 250218) can be set into these housings to give accurate readings of temperatures on both supply and return sides of any PRO-BALANCE 1 in. manifold. Includes gaskets. Mini thermometers are sold separately.



PRO-BALANCE 1 1/4 in. Brass Manifold NPT Isolation Ball Valve Set

Article No.	Description	Package Quantity	Unit Weight		Minimum Order
			kg	lb	
281931-001	1 1/4 in. NPT Isolation Valve Set w/ Gaskets	1 set of 2	2.1	4.63	1 set

These valves have integrated thermometer housings on each side of the valve bodies. Mini thermometers (Art. 250218) can be set into these housings to give accurate readings of temperatures on both supply and return sides of any PRO-BALANCE 1 1/4 in. manifold. Includes gaskets. Mini thermometers are sold separately.



PRO-BALANCE Brass Manifold Mini Thermometer

Article No.	Description	Package Quantity	Unit Weight		Minimum Order
			g	lb	
250218	Mini Thermometer	1	24	0.05	1

Mini thermometers can be set into the housings on 1 1/4 or 1 in. NPT valves with thermometer housings to give accurate readings of temperatures on both supply and return sides of any PRO-BALANCE manifold (for use only with these valves). Thermometers read from 40 to 200°F and 0 to 100°C. Valves sold separately.



PRO-BALANCE Brass Manifold Air Vent/Boiler Drain Combination Set

Article No.	Description	Package Quantity	Unit Weight		Minimum Order
			g	lb	
250226	1 in. BSPP Air Vent/Boiler Drain Combination Set w/ Gaskets	1 set of 2	444	0.98	1 set

This set includes air vent/boiler drain combination pieces with union nuts and gaskets. Manual air vent opens with 1/4 in. vent key (supplied with each manifold). Boiler drain ball valve includes female garden hose thread (GHT) for convenient connections. Gasketed caps are also included as shown.



PRO-BALANCE Brass Manifold Automatic Air Vent

Article No.	Description	Package Quantity	Unit Weight		Minimum Order
			g	lb	
250212	Automatic Air Vent 3/8 in. BSPP	1	142	0.31	1

For 1 and 1 1/4 in. PRO-BALANCE manifolds. Can be used to replace manual air vent on air vent/boiler drain pieces (Art. 250226) to allow automatic elimination of entrained air in a hydronic system.



PRO-BALANCE Brass Manifold Union Sets

Article No.	Description	Package Quantity	Unit Weight		Minimum Order
			g	lb	
260407	1 in. BSPP Unions w/ Gaskets	1 set of 2	300	0.60	1 set
281971-001	1 1/4 in. BSPP Unions w/ Gaskets	1 set of 2	220	0.49	1 set

For use with 1 and 1 1/4 in. PRO-BALANCE manifolds to connect two or more manifolds together in series. Includes union nuts and gaskets. May be used to extend an installed manifold.



PRO-BALANCE 1 1/4 in. Brass Manifold Adapter Fitting

Article No.	Description	Package Quantity	Unit Weight		Minimum Order
			g	lb	
298986-001	1 1/4 in. BSPF x 1 in. BSPM Adapter	1 set of 2	129	0.28	1 set

For use with PRO-BALANCE 1 1/4 in. brass manifolds to transition 1 1/4 in. BSPF x 1 in. BSPM in order to use air vent boiler drain combination set (Art. 250226).



PRO-BALANCE Brass Manifold Union Tee Sets

Article No.	Description	Package Quantity	Unit Weight		Minimum Order
			kg	lb	
250227-001	1 in. BSPM Manifold Union Tee w/ Gaskets	1 set of 2	0.60	1.32	1 set
250228-001	1 1/4 in. BSPM Manifold Union Tee w/ Gaskets	1 set of 2	1.50	3.30	1 set

Supply side of 250227-001 is 1 1/4 in. BSPM. Supply side of 250228-001 is 1 1/4 in. BSPM. Sets are supplied with gaskets.



PRO-BALANCE Brass Manifold Circuit Outlet Cap

Article No.	Description	Package Quantity	Unit Weight		Minimum Order
			g	lb	
250209-C	R-20 Brass Circuit Outlet Cap w/ Gasket	1	28	0.07	1

Brass circuit outlet cap is used to cap off unused outlets on any 1 and 1 1/4 in. PRO-BALANCE manifold. Includes gasket.



PRO-BALANCE Brass Manifold End Caps

Article No.	Description	Package Quantity	Unit Weight		Minimum Order
			g	lb	
250213	1 in. Brass Manifold End Cap w/ Gasket	1	100	0.22	1
281951-001	1 1/4 in. Manifold End Cap w/ Gasket	1	100	0.22	1

Can be used to cap off end of any manifold header while eliminating usual end pieces. Includes gasket.



PRO-BALANCE Brass Manifold BSPP 90° Angle Piece

Article No.	Description	Package Quantity	Unit Weight		Minimum Order
			g	lb	
250214	1 in. BSPP 90° Angle Piece w/ Gasket	1	343	0.76	1
281981-001	1 1/4 in. BSPP 90° Angle Piece w/ Gasket	1	418	0.92	1

For 1 and 1 1/4 in. PRO-BALANCE manifolds. Includes union nut and gasket. Can be used to install manifold isolation valves at a right angle to manifold.



PRO-BALANCE Brass Manifold Gaskets

Article No.	Description	Package Quantity	Unit Weight		Minimum Order
			g	lb	
250203-G	Gasket for 1 in. Manifold Valve	1	0.91	0.002	1
281811-001	Gasket for 1 1/4 in. Manifold Valve	1	2.30	0.005	1



PRO-BALANCE Brass Manifold Protective Cap

Article No.	Description	Package Quantity	Unit Weight		Minimum Order
			g	lb	
298996-100	PRO-BALANCE Protective Cap (Blue)	1	3.6	0.01	1



PRO-BALANCE Brass Manifold Steel Brackets

Article No.	Description	Package Quantity	Unit Weight		Minimum Order
			kg	lb	
261386	1 1/4 in. Steel Manifold Brackets	Set of 2	0.45	1.0	1 set
261396	1 1/2 in. Steel Manifold Brackets	Set of 2	0.50	1.1	1 set

These sturdy brackets are for use with PRO-BALANCE 1 in. (Art. 261386) and PRO-BALANCE 1 1/4 in. (Art. 261396) manifolds used in supply/return configuration. Flexible liners reduce vibration/noise transfer and permit limited movement.



PRO-BALANCE Brass Manifold Extension Kit

Article No.	Description	Package Quantity	Unit Weight		Minimum Order
			kg	lb	
250225	Extension Kit for PRO-BALANCE Manifolds	1	1.0	2.2	1

Used to add a circuit to an existing PRO-BALANCE 1 in. manifold. The extension kit includes a supply section with a visual flow gauge, a return section with a circuit balancing/isolation valve and two gaskets.



PRO-BALANCE Blind Plug

Article No.	Description	Package Quantity	Unit Weight		Minimum Order
			g	lb	
298186-001	Blind Plug 3/8 in. BSPP	1	17	0.04	1

PRO-BALANCE blind plugs can be used in place of the PRO-BALANCE 1 and 1 1/4 in. flow gauges on the supply side of the PRO-BALANCE brass manifolds. Install using thread sealant.



PRO-BALANCE Brass Manifold White Surface Mount Cabinets

Article No.	Description	Typical Station Configuration	Package Quantity	Unit Weight		Minimum Order
				lb	kg	
347400-512	White Surface Mount Manifold Cabinet 16W	Up to 3	1	12.5	27.6	1
347410-512	White Surface Mount Manifold Cabinet 20W	Up To 6	1	16.1	35.5	1
347420-512	White Surface Mount Manifold Cabinet 28W	Up to 9	1	19.1	42.1	1
347430-512	White Surface Mount Manifold Cabinet 36W	Up to 12	1	22.7	50.0	1
347440-512	White Surface Mount Manifold Cabinet 44W	Up to 12	1	23.9	52.7	1
347450-512	White Surface Mount Manifold Cabinet 50W	Up to 12	1	26.8	59.1	1

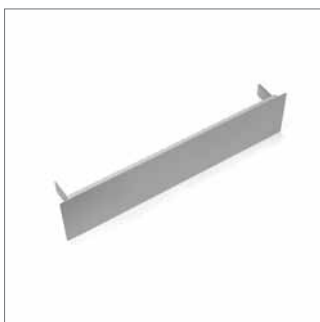
PRO-BALANCE manifold cabinets for surface installations. The cabinets are made from galvanized steel with basic white powder coat finish (RAL 9016 / Pantone 705). Internal brackets allow for easy mounting of PRO-BALANCE 1 and a 1/4 in. manifolds. Removable coverplate below door temporarily extends cabinet opening to the floor (27 in / 69 cm). Cabinet steel door comes with white slotted cabinet lock(s).



PRO-BALANCE Brass Manifold White Flush Mount Cabinets

Article No.	Description	Typical Station Configuration	Package Quantity	Unit Weight		Minimum Order
				lb	kg	
345400-512	White Flush Mount Manifold Cabinet 16W	Up to 3	1	13.7	30.2	1
345410-512	White Flush Mount Manifold Cabinet 20W	Up to 6	1	17.4	38.4	1
345420-512	White Flush Mount Manifold Cabinet 28W	Up to 9	1	20.3	44.8	1
345430-512	White Flush Mount Manifold Cabinet 36W	Up to 12	1	23.2	51.1	1
345440-512	White Flush Mount Manifold Cabinet 44W	Up to 12	1	26.6	58.6	1
345450-512	White Flush Mount Manifold Cabinet 50W	Up to 12	1	30.1	66.4	1

PRO-BALANCE manifold cabinets for flush installation. The cabinets are made from galvanized steel and the frame/door assembly is basic white powder coat finish (RAL 9016 / Pantone 705). Internal brackets allow for easy mounting of PRO-BALANCE 1 and 1 1/4 in. brass manifolds. Pipe knockouts on both sides allow for pipe connections to the manifold. Cabinet has adjustable legs (0 - 5.7 in / 0 - 15 cm) and screed coverplate (sold separately) to stand the cabinet on the floor with an existing opening. For most installations, the legs are removed and the enclosure is mounted in the wall cavity. The frame/door assembly is adjustable to account for the thickness of the gypsum or other wall coverings (0 - 1.5 in / 0 - 4 cm). Cabinet steel door comes with white slotted lock(s).



PRO-BALANCE Brass Manifold Flush Mount Cabinet Screed Plate

Article No.	Description	Package Quantity	Unit Weight		Minimum Order
			g	lb	
217637-001	Screed Coverplate for Flush Cabinet 16W	1	0.7	1.5	1
217642-001	Screed Coverplate for Flush Cabinet 20W	1	0.8	1.8	1
217647-001	Screed Coverplate for Flush Cabinet 28W	1	1.1	2.4	1
217652-001	Screed Coverplate for Flush Cabinet 36W	1	1.4	3.0	1
217657-001	Screed Coverplate for Flush Cabinet 44W	1	1.6	3.6	1
217662-001	Screed Coverplate for Flush Cabinet 50W	1	1.8	4.1	1

Manifold cabinet screed coverplate used to finish opening for flush mounted cabinets when installed standing on the floor.



PRO-BALANCE Brass Manifold Cabinet Lock

Article No.	Description	Mounting Hole	Unit Weight		Minimum Order
			g	lb	
217688-001	Keyed Lock for 34XXXX Manifold Cabinets	19 mm square	41	0.09	1 set
298606-001	Keyed Lock for 24XXXX Manifold Cabinets	15 x 18 mm double-D	41	0.09	1 set

Manifold cabinet lock with two keys can be used to replace the pre-installed clip-locks on both the flush mount and the surface mount manifold cabinets.



PRO-BALANCE Mixing Module

Article No.	Description	Package Quantity	Unit Weight		Minimum Order
			kg	lb	
281501-001	PRO-BALANCE Mixing Module	1	4.10	9	1

The REHAU PRO-BALANCE mixing module is intended for relatively small radiant heating applications using a fixed "set point" temperature supply. The module is designed to fit directly to the left or right of the REHAU PRO-BALANCE manifold. The supply temperature to the manifold may be adjusted gradually between 68 and 158°F (20 and 70°C), by means of temperature controlled injection valve. The injection valve has features that can limit the manual adjustment of the valve to prevent tampering and/or overheating. The module pump would be typically energized by the room thermostat via a relay. The relay could be energized by the thermostat or via the end of the actuator of one of the REHAU electronic boxes.

Specifications:

- Max. acceptable working temperature: 176°F / 80°C
- Max. acceptable working pressure: 87 psi / 6 bar
- Pump: Grundfos UP 15-58-130 mm 1 in. BSPM connections
3 Speed-cast iron "SUPERBRUTE"
Integral check valve
115 VAC, 2 pole, single phase
Flow range: 0 to 17.5 U.S. GPM
Head range: 0 to 19 ft

Features:

- Reduce installation complexity and time
- Substantial space savings



PRO-BALANCE Pressure Differential Bypass Module

Article No.	Description	Package Quantity	Unit Weight		Minimum Order
			kg	lb	
281541-001	PRO-BALANCE Pressure Differential Bypass Module	1	1.3	2.8	1

This modular accessory connects directly to PRO-BALANCE manifolds. Normally, a constant speed circulator is sized assuming that all circuits in a zone valve system may be open. The pressure differential bypass module provides a means to control the excess flow (velocity) that would otherwise occur when actuators close. Installation of this module onto the 1 in. PRO-BALANCE manifolds creates an automatically regulated flow path such that operating zone circuits do not see unnecessarily high flow.

8.

REHAU SMART CONTROLS



REHAU Smart Controls brings intelligent climate control technologies into the residential and mid-range commercial market. The system incorporates real-time weather data for enhanced efficiency and effectiveness, a statistical database to track system performance, and established rules that create a better home climate. The REHAU Smart Controls System will enable real-time on site or remote management and optimization of HVAC system functioning from any web-enabled device.

REHAU Smart Controls Software

Article No.	Description	Package Quantity	Minimum Order
298836-002	RSC Bronze Package - 20 I/O Points	1	1
298846-002	RSC Silver Package - 40 I/O Points	1	1
298856-002	RSC Gold Package - 75 I/O Points	1	1
298866-002	RSC Platinum Package - 110 I/O Points	1	1
398008-001	RSC Platinum+ Package - Unlimited I/O Points	1	1

Package	Weather Forecast	Macros	Data Charts & Monitor	Auto. Back-ups	Heartbeat Alerts	Dynamic Weather Adjustments	Visualizer	Customer Care	Building Mgmt Interface	Snow & Ice Melt
Bronze	X	X								
Silver	X	X								
Gold	X	X	X	X	X	X				
Platinum	X	X	X	X	X	X	X	X		
Platinum+	X	X	X	X	X	X	X	X	X	X

Option	Description
Weather Forecast	Interfaces with The National Weather Service and Canadian Weather Service and provides access to current and forecasted temperatures, humidity, rain and snow.
Macros	Set of commands that can be set up to make dynamic changes to the operation of any system under control of ENV (e.g., thermostat setpoints and modes, domestic hot water).
Data Charts & Monitor	A way to store data fields in a database on a continuous basis (e.g., temperatures, on/off). The user has complete control over sampling period and frequency. Monitors are a way of looking at data fields in real time.
Automatic Back-ups	Nightly ENV will automatically backup database to a hard drive, external drive or to the cloud for offsite storage; backup can also be performed manually.
Heartbeat Alerts	Every two hours the ENV server attempts to perform a handshake with the customer's computer. If that fails, an email and/or text message is broadcast to one or more addresses as provided by the user. In addition to that alert, other tests are performed (e.g., backups successful, backup files on local drive, excessive use of memory, new release availability, errors exceeding thresholds, critical services stopped).
Dynamic Weather Adjustment	ENV uses the weather forecast to adjust the Outdoor Reset Curve. If the temperature is rising, the curve is scaled up and vice-versa.
Visualizer	Graphical package used to view system diagrams (e.g., mechanical room, schematics, floor plans). The user can create and animate iconic representation of all devices in the building (e.g., thermostats, boiler, pumps).
Customer Care	3-year agreement that provides access to all new major product releases and two hours of telephone support. Includes the gateway for the customer to access their system without knowing their IP address.
Building Automation Interface	Provides an XML interface to any external system to gain access to most database fields (e.g., setpoints, temperatures).
Snow & Ice Melt Interface	Handles an unlimited number of zones and mixing strategies. Uses weather forecasts to start an idle cycle well ahead of the advent of a snow event and based on a confidence calculation.
RSC Installation Services	Turnkey installation services. Install software, build all tables and assist in commissioning. User must provide Points List, Schematic and Sequence of Operations. Changes to supplied documents after completion of the installation may be subject to additional charges.
RSC Option Group	Upgrade Bronze or Silver packages to include: Data Charts & Monitor, Automatic Back-ups, Heartbeat Alerts and Dynamic Weather Adjustment

REHAU Smart Controls Installation Services

Article No.	Description	Package Quantity	Minimum Order
398001-001	RSC Bronze Package Installation Services	1	1
398002-001	RSC Silver Package Installation Services	1	1
398003-001	RSC Gold Package Installation Services	1	1
398004-001	RSC Platinum Package Installation Services	1	1
398005-001	RSC Platinum+ Package Installation Services	1	1
1111111361	RSC Hourly Installation Services	1	1

REHAU Smart Controls Software Options

Article No.	Description	Package Quantity	Minimum Order
298046-001	RSC Customer Care – 24/7 Monitoring - Remote Connection	1	1
298066-001	RSC 5 Pack Additional I/O Points	1	1
298076-001	RSC 10 Pack Additional I/O Points	1	1
298146-001	RSC Visualizer	1	1
298126-001	RSC Snow and Ice Melt Interface	1	1
298136-001	RSC Building Management Interface	1	1
398006-001	RSC Option Group	1	1

See option descriptions on previous page.



REHAU Smart Controls Computer

Article No.	Description	Package Quantity	Minimum Order
298096-001	RSC Computer*	1	1

*Computer includes keyboard, mouse and mounting bracket. Does not include monitor.



REHAU Smart Controls RSC TR 16 485 Communicating Thermostat

Article No.	Description	Package Quantity	Minimum Order
298346-001	RSC TR 16 485 Communicating Thermostat	1	1

Thermostat works with all HVAC Systems, both standard gas/electric and heat pump, and supports multistage units.

Wiring: Between the wall unit and control unit is four wires which can be thermostat wiring, Cat 3 or Cat 5 cables. From the control unit to the HVAC system (heat pump, gas/electric furnace, etc.) use 8 conductor/18 AWG soild, using the standard thermostat connections. Communication to the REHAU Smart Control Cabinet is Cat 5 wire.

Power: Supply of 24 VAC power to the thermostat (provided by others) On-board 12 VDC powers the unit.

This thermostat does not support remote wall sensors. If remote sensor is required please use RSC TR-65 485 Communicating Thermostat (Art. 214228-001)



REHAU Smart Controls RSC TR 65 485 Communicating Thermostat

Article No.	Description	Package Quantity	Minimum Order
214228-001	RSC TR 65 485 Communicating Thermostat	1	1

Thermostat works with all HVAC Systems, both standard gas/electric and heat pump, and supports multistage units.

Wiring: Between the wall unit and control unit is four wires which can be thermostat wiring, Cat 3 or Cat 5 cables. From the control unit to the HVAC system (heat pump, gas/electric furnace, etc.) use 8 conductor/ 18 AWG solid, using the standard thermostat connections. Communication to the REHAU Smart Control Cabinet is Cat 5 wire.

Power: Supply of 24 VAC power to the thermostat (provided by others) On-board 12 VDC powers the unit.

This communicating thermostat can be used with Flush Mount Room Sensor (Art.298356-001). Wiring to the remote sensor can be done using 2 conductor/18 AWG from the wall display unit.



REHAU Smart Controls RSC T-32-P Communicating Thermostat

Article No.	Description	Package Quantity	Minimum Order
398010-001	RSC T-32-P Communicating Thermostat	1	1

Thermostat works with all HVAC Systems, both standard gas/electric and heat pump, and supports multistage units.

Wiring: Wiring between thermostat to HVAC device (Heat Pump, Gas/Electric Furnace, etc) 8 Conductor/ 18 AWG solid - standard thermostat wire. Wiring for communication should be "Daisy-Chained – Cat 5 wiring from the last thermostat, to the next thermostat, all the way back to the REHAU Smart Control Cabinet.

Power: 24 VAC power will be needed to be supplied by others usually found at the HVAC Device. If there is no power located at HVAC device, a separate 2 conductor/18 AWG will be needed to be run from REHAU Smart Controls Cabinet location to each thermostat that requires power.

This thermostat does not have the ability of having a remote sensor.



REHAU Smart Controls Forced Air Zone Control Panel

Article No.	Description	Package Quantity	Minimum Order
398011-001	RSC Z-600 Forced Air Zone Control Panel	1	1

To be used in conjunction with RSC T-32-P Communicating Thermostat (Art. 398010-001). This give the ability to have multiple zone connected to a single Heat Pump or Gas/ Electric Furnace. One Z-600 Forced Air Panel has capacity of 6 zones and is expandable to 12 zones.

Wiring: Use of standard 8 conductor/18 AWG solid thermostat wire

Power: 24 VAC input required



REHAU Smart Controls Radiant Floor Heating Interface Panel

Article No.	Description	Package Quantity	Minimum Order
398012-001	RSC GEO-200 RFH Interface Panel	1	1

To be used only with RSC T-32-P Communicating Thermostat (Art. 398010-001). This interface panel allows the REHAU Smart Controls to have a first stage of radiant heating to be added the RSC T-32-P Communicating Thermostat that would also control other stages of forced air. Please note that the zone for forced air must be the same as the radiant zone in order to operate properly.

Wiring: Use of standard 8 conductor/18 AWG solid thermostat wire

Power: 24 VAC input required



REHAU Smart Controls Sensors

Article No.	Description	Quantity	kg	lb	Order
298356-001	RSC 10K Flush Mount Room Sensor	1	0.004	0.009	1
298366-001	RSC 10K Plate Sensor	1	0.54	1.20	1
298496-001	RSC Buffer Tank Sensor	1	0.54	1.20	1
298436-001	RSC Slab Sensor with 25 ft Lead	1	–	–	1
298426-001	RSC Outdoor Air Sensor	1	0.18	0.40	1
298476-001	RSC Domestic Water Tank Sensor (Steel Well)	1	0.45	0.99	1
298456-001	RSC Humidity Sensor	1	0.05	0.17	1
298446-001	RSC Current Sensor	1	0.02	0.24	1
298486-001	RSC Room Humidity and Temperature Sensor	1	0.08	0.18	1
298166-001	RSC Pipe Sensor with 24 in. Lead	1	0.01	0.02	1



REHAU Smart Control Hardware Components

Article No.	Description	Package Quantity	Minimum Order
298626-001	RSC Large Control Cabinet (6 I/O Block Capacity)	1	1
298636-001	RSC Small Control Cabinet (3 I/O Block Capacity)	1	1
298646-001	RSC I/O Block Ai8 R13 - Wired and Installed	1	1
298656-001	RSC I/O Block Ai32 - Wired and Installed	1	1
298666-001	RSC I-O Block Ai08 - Wired and Installed	1	1

Steps to determine cabinet size:

- Count points (all types)
- Determine what I/O blocks to use
- Choose appropriate cabinet based on number of I/O blocks required
- Contact REHAU sales office if you need assistance



REHAU Smart Controls Hardware Accessories

Article No.	Description	Quantity	kg	lb	Order
298306-001	RSC V-Linx Ethernet to RS-485 Converter (Spare Part)	1	–	–	1
298316-001	RSC I/O Block Ai8 R13 (Spare Part)	1	0.23	0.50	1
298326-001	RSC I/O Block Ai08 (Spare Part)	1	0.23	0.50	1
298336-001	RSC Input Block Ai32 (Spare Part)	1	0.23	0.50	1
236297-001	RSC R003P 24 VAC Relay	1	0.13	0.29	1
298876-001	RSC Variable Speed Control Interface	1	–	–	1
298156-001	RSC 24 VAC to 24 VDC Power Supply	1	0.11	0.25	1

9.

ZONE CONTROLS AND THERMOSTATS



Manifold Actuator Control – Wiring Junction Box with Transformers

Article No.	Description	Package	Unit Weight		Minimum Order
		Quantity	kg	lb	
298276-001	4 Manifold Actuator Control	1	2.45	5.45	1
298286-001	6 Manifold Actuator Control	1	2.68	5.87	1

The REHAU Manifold Actuator Controls are designed to simplify the wiring process. Easy to follow PC board and secure screw terminal layout eliminates problems caused by incorrect wiring. External indicator lights confirm operation sequence and diagnostic feedback. The unit includes two built-in 40 VA transformers. Extra fuses provided.

Features and specifications:

- Power output to REHAU thermostats (Art 236477-001, 236487-001 and 236467)
- Front diagnostic lights
- Switchable priority (Zone 4)
- Simplified wiring
- Works with REHAU manifold actuator (Art 260166) or RA actuator (Art 260167)
- Compact design
- Fuse protected
- 100% factory tested, UL approved, made in the USA
- Two pump end switches can control up to 3 pumps: system, secondary and DHW
- Contractor friendly PC board layout
- Field replaceable transformer
- Overall dimensions approximately 12 x 8 x 3 in (28 x 18 x 7 cm)
- Power supply 120 VAC, Power output up to 80 VAC



Zone Pump Relay Control – Wiring Junction Box with Transformer and Priority

Article No.	Description	Package	Unit Weight		Minimum Order
		Quantity	kg	lb	
298726-001	3 Zone Pump Relay Control	1	1.49	3.28	1
298756-001	4 Zone Pump Relay Control	1	1.52	3.35	1
298766-001	6 Zone Pump Relay Control	1	1.64	3.62	1

The REHAU Zone Pump Relay Controls are designed to simplify the wiring process. Easy to follow PC board and secure screw terminal layout eliminates problems caused by incorrect wiring. External indicator lights confirm operation sequence and diagnostic feedback. Each unit includes a 15 VA transformer ready to power thermostats. Relays are individually fuse protected. Two spare fuses built-in.

Features and specifications:

- Power output to REHAU thermostats (Art 236477-001, 236487-001 and 236467)
- Premium sealed and individually fuse protected relays
- Front diagnostic lights
- Switchable priority
- Simplified wiring
- Compact design
- Fuse protected
- 100% factory tested, UL approved, made in the USA
- Two pump end switches can control up to 3 pumps: system, secondary and DHW
- Contractor friendly PC board layout
- Field replaceable transformer
- Universal thermostat compatibility
- Overall dimensions approximately 12 x 8 x 3 in (28 x 18 x 7 cm)
- Power supply 120 VAC, Power relay maximum 7.2 amps (1/3 hp) at 120 VAC



Zone Control Module

Article No.	Description	Package Quantity	Unit Weight		Minimum Order
			kg	lb	
243047-001	Zone Control, 4 Zone Module (Standard)	1	0.45	1.0	1
243077-001	Zone Control, 6 Zone Module (Non-standard)	1	0.56	1.2	1

The zone control module provides a convenient low-voltage wiring panel for thermostats and manifold valve actuators. The zone control module is for use with REHAU thermostats (Art. 236477-001, 236487-001 and 236467) and manifold valve actuators (Art. 260166, 260167).

The zone control module may control up to four zones (thermostats), with up to eight actuators (maximum two per zone). Each zone has a terminal for end switch wires, provided on REHAU manifold valve actuators, to operate circulator pumps, boiler, etc. (through a separate low-voltage relay). For more than four zones (thermostats), additional modules can be connected using standard wire.

Features and specifications:

- LED indicator lights for power and actuation
- Neutral priority
- Screwless, push-button type terminal blocks for thermostat, actuator and power supply
- Overall dimensions approximately 6 3/8 W x 6 5/8 H x 2 3/4 in. D
- Enclosure: Flame Retardant Plastic 94 V0
- Power supply: 24 VAC power supply required (not included)
- Electrical Switch Rating: 10 A 1/3 hp @ 120 VAC



Dual Sensing Dial Thermostat

Article No.	Description	Package Quantity	Unit Weight		Minimum Order
			g	lb	
236477-001	Dial Thermostat	1	84	0.185	1

The display on this 3-wire thermostat is a simple easy-to-use dial with a red LED that is lit when there is a call for heat. With the optional floor sensor, this thermostat can regulate either the floor or the room temperature or both in which case the floor sensor is used as a temperature limiter, either high or low limit. This thermostat also comes with both °F and °C dials.

This thermostat has a 4x DIP switch which allows for limited programming and system configuration. This includes setting high and low floor temperature limits and allowing the thermostat to operate as a simple on/off switch or with PWM anticipation logic.

This thermostat can directly control up to 4 manifold valve actuators (Art. 260166), either independently or when used with REHAU electronic controls. The thermostat may also be used to control relays and other low voltage controls. This thermostat uses silent operation electronic triac output. 18 AWG or similar wire is recommended for all 24 VAC wiring.

Notes:

- Floor/slab sensor requires 2 additional wires—from slab sensor to thermostat
- Daily programming is not offered on this thermostat
- Requires 24 VAC power source
- For optional floor sensor use Art. 236497-001



Dual Sensing Digital Thermostat

Article No.	Description	Package Quantity	Unit Weight		Minimum Order
			g	lb	
236487-001	Digital Thermostat	1	96	0.21	1

This 3-wire thermostat offers system set-up capabilities with simple, easy-to-use menus. There is a reduced operating mode which may be used for nighttime and vacation periods. With the optional floor sensor this thermostat can regulate either the floor or the room temperature or both. In that case the floor sensor is used as a temperature limiter, either high or low limit. Additional features include pump exercise, °F or °C capabilities and air/floor priority.

This thermostat can directly control up to 4 manifold valve actuators (Art. 260166), either independently or when used with REHAU electronic controls. Thermostat may also be used to control relays and other low voltage controls. This thermostat uses silent operation electronic triac output. 18 AWG or similar wire is recommended for all 24 VAC wiring.

Notes:

- Floor/slab sensor requires 2 additional wires—from slab sensor to thermostat
- Daily programming is not offered on this thermostat
- Requires 24 VAC power source
- For optional floor sensor use Art. 236497-001



Programmable Digital Thermostat

Article No.	Description	Package Quantity	Unit Weight		Minimum Order
			g	lb	
236467	PD2 Heat/Cool or Two-Stage Heat Thermostat	1	250	0.54	1

PD2 is a 4-wire 24 V programmable digital thermostat intended for either two-stage heating or one-stage heat/cool with auto-changeover applications. This thermostat can be wired to control a relay, manifold valve actuator or other REHAU electronic controls. Two dry contacts are provided – one for each stage.

With the optional floor sensor this thermostat can regulate either the floor or the room temperature or both. In that case the floor sensor is used as a temperature limiter, either high or low limit.

This thermostat allows for up to two external sensors, which could include the floor sensor. Auxiliary universal sensors (Art. 236217) can also be used to measure air temperature in additional locations to get an average temperature for large areas, or an auxiliary outdoor temperature sensor (Art. 236207) can be used to display the outdoor and/or a remote temperature.

4-wire conductor cable should be run to thermostat. 18 AWG or similar wire is recommended for all 24 VAC wiring. Sensor wiring should be run separately.

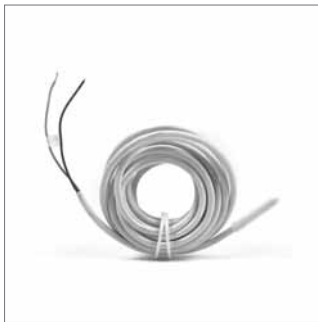
Note: Floor/slab sensor requires additional 2 wires—from slab sensor to thermostat.

Programming features:

- Programmable for 7-day or 24-hour schedules
- Programmable for 2 to 4 temperatures per day
- 3-hour temporary override feature
- "Away" override for periods of extended absence
- Programs do not need to be reset after power outages

Specifications:

Power supply:	24 V +/-10%, 60 Hz, 3 VA
Relays:	24 VAC, 2 A relay outputs
Inputs:	Two auxiliary sensor inputs (optional)
Ambient conditions:	Indoor use only, 32 to 122°F (0 to 50°C)
Enclosure:	White PVC plastic
Dimensions:	2 7/8 H x 2 7/8 W x 13/16 in. D (7.3 x 7.3 x 2.1 cm)



10K Floor Sensor

Article No.	Description	Package Quantity	Unit Weight		Minimum Order
			g	lb	
236497-001	10K Floor Sensor (9.8 ft / 3 m)	1	62	0.14	1

Optional floor sensor for dual sensing thermostats. To be used only with Dual Sensing Dial Thermostat (Art. 236477-001) or Dual Sensing Digital Thermostat (Art. 236487-001).



Accessories for Digital Thermostats

Article No.	Description	Package Quantity	Unit Weight		Minimum Order
			g	lb	
236387	Mounting Adapter Plate for PD2	1	60	0.13	1
236397	Floor Sensor for PD2 Thermostat	1	26	0.06	1

The mounting adapter plate (Art. 236387) allows for installation of PD2 programmable digital thermostats (Art. 236467) onto a standard 2 x 4 in. electrical box. The mounting adapter plate can be mounted vertically or horizontally and is designed to allow wiring to feed through in any position. Surface painted (white) screws for mounting to the 2 x 4 in. electrical box and screws to mount the thermostat to the mounting adapter plate are included.

The floor sensor (Art. 236397) can be used with PD2 programmable digital thermostats (Art. 236467) for floor warming applications and/or to help limit (maximum and/or minimum) floor temperatures. Sensor is completely encased in a protective jacket and can be encased in concrete (it is recommended to slide sensor through a short protective conduit where the wires enter/exit the concrete or gypsum cement). Sensor comes with 10 ft (3 m) of 2-conductor wire.



4-Wire Manifold Valve Actuator for PRO-BALANCE Brass Manifolds

Article No.	Description	Package Quantity	Unit Weight		Minimum Order
			g	lb	
260166	4-Wire Manifold Valve Actuator	1	131	0.29	1

The 4-wire manifold valve actuator is used to open and close circuit valves on the 1 and 1 1/4 in. PRO-BALANCE manifolds. Use REHAU thermostats to control actuators directly, or connect through REHAU electronic controls.

Features and Specifications:

- Gray position indicator provides visual verification of the actuator's position. When the actuator is off and closed, the gray indicator is flush with the top of the actuator. When the actuator is on and open, the gray indicator will rise out of the top of the actuator and be visible from the side.
- Red pull-out tab is provided to allow easy installation onto the manifold. After installation remove red tab.
- A dry-contact end switch is built in to the actuator. This end switch can be used to operate 24 VAC (2 amps max.) relays for pumps and other devices and can be wired so that pumps turn on only when actuator is fully open.
- If required, connect the green end switch wires to a suitable 24 VAC-powered relay to activate a device to be operated by the actuator's end switch or connect these wires directly into an appropriate zone control module.
- 24 VAC "thermal motor" heating element melts a wax cartridge, allowing the actuator to open when there is a call for heat (power on). When the power is off, the wax cools and closes the valve (normally closed). Operation takes 3-4 minutes.
- 4 wires: blue/brown – Apply 24 VAC power; green (2) – end switch. Length – 40 in (100 cm).
- Ambient operating temperature range of 32 to 140°F (0 to 60°C).
- Low power draw: approximately 2 VA in operation. Maximum 4.5 VA when first powered. Ensure transformer has sufficient power (VA) to operate all actuators.



Manifold Valve Actuator for RA Valve

Article No.	Description	Package Quantity	Unit Weight		Minimum Order
			kg	lb	
260167	Manifold Valve Actuator for RA Valve	1	0.14	0.30	1

The 4-wire manifold valve actuator is a special version for use with RA valves. This includes balancing valves for 3/4 and 1 in (Art. 260027 and 260037).



RA Two-way Zone Valve

Article No.	Description	Cv	Package Quantity	Unit Weight		Minimum Order
				kg	lb	
260027	3/4 in. FPT x 3/4 in. MPT RA Valve	2.7	1	0.44	0.97	1
260037	1 in. FPT x 1 in. MPT RA Valve	2.8	1	0.67	1.48	1
260196+	RA Valve Manual Balancing Handle	n/a	1	0.04	0.09	1

+ This item is not stocked. Lead times may vary.

Build your own balancing manifold with these attachments for copper manifolds. Can be combined with the manifold valve actuator for RA valve (Art. 260167) for electric thermostat control (not the standard manifold valve actuator Art. 260166). 3/4 and 1 in. RA valve connections are as noted.

10.

EVERLOC FITTINGS

EVERLOC fittings and sleeves create reliable connections that can be walled-in or embedded directly in a thermal mass when wrapped in waterproof, adhesive-free tape or RAUCROSS™ (Art. 253615, 253625) heat shrink tubing to help reduce corrosion caused by the surrounding environment. Check local codes for compliance. Installation is easy with EVERLOC tools.

EVERLOC fittings are produced from solid brass stock. Elbows and tees are hot-forged for superior strength and durability, while straight fittings are machined from solid brass rod. EVERLOC fittings and sleeves meet the performance requirements of ASTM F877 and ASTM F2080.

EVERLOC fittings are not certified for potable water applications.



EVERLOC Sleeves

Article No.	Description	Package Quantity		Unit Weight		Minimum Order
		Box	Carton	g	lb	
243507-101	3/8 in. EVERLOC Sleeve	150	900	20	0.05	1 box
260077-101	1/2 in. EVERLOC Sleeve	150	900	23	0.05	1 box
243607-101	5/8 in. EVERLOC Sleeve	40	240	56	0.12	1 box
260577-101	3/4 in. EVERLOC Sleeve	80	480	37	0.08	1 box
260877-101	1 in. EVERLOC Sleeve	40	240	73	0.16	1 box
235507-101	1 1/4 in. EVERLOC Sleeve	25	150	105	0.23	1 box
235707-101	1 1/2 in. EVERLOC Sleeve	20	120	132	0.29	1 box
235907-101	2 in. EVERLOC Sleeve	10	60	245	0.54	1 box

Sleeves are unplated brass. Tapered end installs toward fitting.



EVERLOC Couplings

Article No.	Description	Package Quantity		Unit Weight		Minimum Order
		Box	Carton	g	lb	
243517-101	3/8 x 3/8 in. EVERLOC Coupling	70	420	36	0.08	1 box
260227-101	1/2 x 1/2 in. EVERLOC Coupling	60	360	54	0.12	1 box
243627-101	5/8 x 5/8 in. EVERLOC Coupling	40	240	76	0.17	1 box
260317-101	3/4 x 3/4 in. EVERLOC Coupling	35	210	82	0.18	1 box
260427-101	1 x 1 in. EVERLOC Coupling	20	120	136	0.30	1 box
235527-101	1 1/4 x 1 1/4 in. EVERLOC Coupling	5	30	227	0.50	1 box
235727-101	1 1/2 x 1 1/2 in. EVERLOC Coupling	5	30	345	0.76	1 box
235927-101	2 x 2 in. EVERLOC Coupling	3	18	599	1.32	1 box

Order EVERLOC sleeves separately.



EVERLOC Reducer Couplings

Article No.	Description	Package Quantity		Unit Weight		Minimum Order
		Box	Carton	g	lb	
260247-101	3/4 x 1/2 in. EVERLOC Coupling	45	270	68	0.15	1 box
260447-101	1 x 3/4 in. EVERLOC Coupling	25	150	114	0.25	1 box
235517-101	1 1/4 x 1 in. EVERLOC Coupling	10	60	195	0.43	1 box
235717-101	1 1/2 x 1 1/4 in. EVERLOC Coupling	5	30	272	0.60	1 box
235737-101	1 1/2 x 1 in. EVERLOC Coupling	5	30	277	0.61	1 box
235917-101	2 x 1 1/2 in. EVERLOC Coupling	3	18	503	1.11	1 box
235937-101	2 x 1 1/4 in. EVERLOC Coupling	3	18	595	1.31	1 box
235947-101	2 x 1 in. EVERLOC Coupling	3	18	440	0.97	1 box

Order EVERLOC sleeves separately.



EVERLOC Plugs

Article No.	Description	Package Quantity		Unit Weight		Minimum Order
		Box	Carton	g	lb	
260087-101	1/2 in. EVERLOC Plug	100	600	32	0.07	1 box
260397-101	3/4 in. EVERLOC Plug	60	360	54	0.12	1 box
260497-101	1 in. EVERLOC Plug	30	180	91	0.20	1 box
235267-101	1 1/4 in. EVERLOC Plug	20	120	97	0.22	1 box

Order EVERLOC sleeves separately.



EVERLOC Adapters

Article No.	Description	Package Quantity		Unit Weight		Minimum Order
		Box	Carton	g	lb	
260017-101	1/2 in. EVERLOC x 3/8 in. C Female (Sweat) or 1/2 in. C Male (Street)	65	390	41	0.09	1 box
260047-101	1/2 in. EVERLOC x 1/2 in. C Female (Sweat)	65	390	45	0.10	1 box
243637-101	5/8 in. EVERLOC x 1 in. C Male (Street) or 3/4 in. C Female (Sweat)	30	180	115	0.25	1 box
260807-101	3/4 in. EVERLOC x 1 in. C Female (Sweat)	25	150	114	0.25	1 box
260827-101	3/4 in. EVERLOC x 3/4 in. C Male (Street) or 1/2 in. C Female (Sweat)	35	210	82	0.18	1 box
260837-101	3/4 in. EVERLOC x 1 in. C Male (Street) or 3/4 in. C Female (Sweat)	25	150	118	0.26	1 box
260417-101	1 in. EVERLOC x 1 in. C Male (Street) or 3/4 in. C Female (Sweat)	25	150	136	0.30	1 box
260947-101	1 in. EVERLOC x 1 1/4 in. C Male (Street) or 1 in. C Female (Sweat)	20	120	163	0.36	1 box
235567-101	1 1/4 in. EVERLOC x 1 1/4 in. C Male (Street) or 1 in. C Female (Sweat)	5	30	191	0.42	1 box
235577-101	1 1/4 in. EVERLOC x 1 1/2 in. C Male (Street) or 1 1/4 in. C Female (Sweat)	5	30	221	0.49	1 box
235767-101	1 1/2 in. EVERLOC x 1 1/2 in. C Male (Street) or 1 1/4 in. C Female (Sweat)	5	30	322	0.71	1 box
235777-101	1 1/2 in. EVERLOC x 2 in. C Male (Street) or 1 1/2 in. C Female (Sweat)	5	30	508	1.12	1 box
235967-101	2 in. EVERLOC x 2 in. C Male (Street) or 1 1/2 in. C Female (Sweat)	5	30	644	1.42	1 box
235977-101	2 in. EVERLOC x 2 1/2 in. C Male (Street) or 2 in. C Female (Sweat)	3	18	797	1.76	1 box

Copper adapters connect RAUPEX pipe to copper pipe in sizes indicated. Many of these copper adapters can be used as male (street) or female (sweat) fittings. Make solder connection before connecting to RAUPEX pipe. Order EVERLOC sleeves separately.



EVERLOC Dual MPT Adapters

Article No.	Description	Package Quantity		Unit Weight		Minimum Order
		Box	Carton	g	lb	
243537-101	3/8 in. EVERLOC x 1/2 in. MPT or 1/2 in. C Female (Sweat)	50	300	59	0.13	1 box
260237-101	1/2 in. EVERLOC x 1/2 in. MPT or 1/2 in. C Female (Sweat)	45	210	68	0.15	1 box
243647-101	5/8 in. EVERLOC x 1/2 in. MPT or 1/2 in. C Female (Sweat)	35	210	91	0.20	1 box
260327-101	3/4 in. EVERLOC x 3/4 in. MPT or 1/2 in. C Female (Sweat)	25	150	122	0.27	1 box
260597-101	3/4 in. EVERLOC x 1 in. MPT or 3/4 in. C Female (Sweat)	20	120	146	0.32	1 box
260437-101	1 in. EVERLOC x 1 in. MPT or 3/4 in. C Female (Sweat)	15	90	195	0.43	1 box
730053-001	1 1/4 in. EVERLOC x 1 in. MPT or 3/4 in. C Female (Sweat)	5	30	190	0.41	1 box
235557-101	1 1/4 in. EVERLOC x 1 1/4 in. MPT or 1 in. C Female (Sweat)	5	30	291	0.64	1 box
235757-101	1 1/2 in. EVERLOC x 1 1/2 in. MPT or 1 1/4 in. C Female (Sweat)	5	30	503	1.11	1 box
235957-101	2 in. EVERLOC x 2 in. MPT or 1 1/2 in. C Female (Sweat)	3	18	889	1.96	1 box

Dual adapters connect RAUPEX pipe to either female threaded fittings (first size) or copper pipe (second size) in sizes indicated. Make threaded or solder connections before connecting to RAUPEX pipe. Order EVERLOC sleeves separately.



EVERLOC FPT Adapters

Article No.	Description	Package Quantity		Unit Weight		Minimum Order
		Box	Carton	g	lb	
260287-101	1/2 in. EVERLOC x 1/2 in. FPT Adapter	35	210	0.07	0.16	1 box
260387-101	3/4 in. EVERLOC x 3/4 in. FPT Adapter	25	150	0.13	0.28	1 box
260487-101	1 in. EVERLOC x 1 in. FPT Adapter	10	60	0.23	0.51	1 box

FPT adapters connect RAUPEX pipe to male threaded fittings in sizes indicated. Make threaded connections before connecting to RAUPEX. Order EVERLOC sleeves separately.



EVERLOC Straight Tees

Article No.	Description	Package Quantity		Unit Weight		Minimum Order
		Box	Carton	g	lb	
260607-101	1/2 x 1/2 x 1/2 in. EVERLOC Tee	25	150	114	0.25	1 box
260617-101	3/4 x 3/4 x 3/4 in. EVERLOC Tee	15	90	191	0.42	1 box
260977-101	1 x 1 x 1 in. EVERLOC Tee	8	48	349	0.77	1 box
235607-101	1 1/4 x 1 1/4 x 1 1/4 in. EVERLOC Tee	5	30	508	1.12	1 box
235807-101	1 1/2 x 1 1/2 x 1 1/2 in. EVERLOC Tee	2	12	875	1.93	1 box
236007-101	2 x 2 x 2 in. EVERLOC Tee	1	6	1397	3.08	1 box

Order EVERLOC sleeves separately.



EVERLOC Run Reducing Tees

Article No.	Description	Package Quantity		Unit Weight		Minimum Order
		Box	Carton	g	lb	
260647-101	3/4 x 1/2 x 3/4 in. EVERLOC Tee	15	90	172	0.38	1 box
260687-101	1 x 3/4 x 1 in. EVERLOC Tee	10	60	322	0.71	1 box
235637-101	1 1/4 x 1 x 1 1/4 in. EVERLOC Tee	5	30	450	0.99	1 box
235837-101	1 1/2 x 1 1/4 x 1 1/2 in. EVERLOC Tee	2	12	798	1.76	1 box
235847-101	1 1/2 x 1 x 1 1/2 in. EVERLOC Tee	2	12	763	1.68	1 box
236057-101	2 x 1 1/4 x 2 in. EVERLOC Tee	1	6	800	1.76	1 box

Order EVERLOC sleeves separately.



EVERLOC Branch Reducing Tees

Article No.	Description	Package Quantity		Unit Weight		Minimum Order
		Box	Carton	g	lb	
260627-101	3/4 x 3/4 x 1/2 in. EVERLOC Tee	20	120	159	0.35	1 box
260707-101	1 x 1 x 3/4 in. EVERLOC Tee	10	60	295	0.65	1 box
260727-101	1 x 1 x 1/2 in. EVERLOC Tee	10	60	254	0.56	1 box
235617-101	1 1/4 x 1 1/4 x 1 in. EVERLOC Tee	5	30	454	1.00	1 box
235627-101	1 1/4 x 1 1/4 x 3/4 in. EVERLOC Tee	5	30	404	0.89	1 box
235817-101	1 1/2 x 1 1/2 x 1 1/4 in. EVERLOC Tee	2	12	650	1.43	1 box
235827-101	1 1/2 x 1 1/2 x 1 in. EVERLOC Tee	2	12	694	1.53	1 box
236017-101	2 x 2 x 1 1/2 in. EVERLOC Tee	1	6	1141	2.52	1 box
236027-101	2 x 2 x 1 1/4 in. EVERLOC Tee	1	6	800	1.76	1 box
236037-101	2 x 2 x 1 in. EVERLOC Tee	1	6	924	2.04	1 box

Order EVERLOC sleeves separately.



EVERLOC Branch and Run Reducing Tees

Article No.	Description	Package Quantity		Unit Weight		Minimum Order
		Box	Carton	g	lb	
260637-101	3/4 x 1/2 x 1/2 in. EVERLOC Tee	20	120	141	0.31	1 box
260697-101	1 x 3/4 x 3/4 in. EVERLOC Tee	10	60	254	0.56	1 box
235657-101	1 1/4 x 1 x 1 in. EVERLOC Tee	5	30	422	0.93	1 box
235857-101	1 1/2 x 1 1/4 x 1 1/4 in. EVERLOC Tee	2	12	685	1.51	1 box
235867-101	1 1/2 x 1 1/4 x 1 in. EVERLOC Tee	2	12	571	1.27	1 box
235877-101	1 1/2 x 1 x 1 in. EVERLOC Tee	2	12	590	1.30	1 box
236067-101	2 x 1 1/2 x 1 1/2 in. EVERLOC Tee	1	6	1161	2.56	1 box
236087-101	2 x 1 1/2 x 1 in. EVERLOC Tee	1	6	957	2.11	1 box

Order EVERLOC sleeves separately.



EVERLOC Bullhead Tees

Article No.	Description	Package Quantity		Unit Weight		Minimum Order
		Box	Carton	g	lb	
260857-101	1/2 x 1/2 x 3/4 in. EVERLOC Tee	20	120	145	0.32	1 box
260897-101	3/4 x 3/4 x 1 in. EVERLOC Tee	10	60	240	0.53	1 box

Order EVERLOC sleeves separately.



90° Elbows - EVERLOC to EVERLOC

Article No.	Description	Package Quantity		Unit Weight		Minimum Order
		Box	Carton	g	lb	
260657-101	1/2 x 1/2 in. EVERLOC Elbow	40	240	77	0.17	1 box
260677-101	3/4 x 3/4 in. EVERLOC Elbow	25	150	132	0.29	1 box
260717-101	1 x 1 in. EVERLOC Elbow	10	60	254	0.56	1 box
235597-101	1 1/4 x 1 1/4 in. EVERLOC Elbow	8	48	372	0.82	1 box
235797-101	1 1/2 x 1 1/2 in. EVERLOC Elbow	2	12	593	1.31	1 box
235997-101	2 x 2 in. EVERLOC Elbow	2	12	1080	2.38	1 box

In some situations a 90° bend may be formed without an elbow (refer to REHAU's heating technical manuals); see support bends and PVC bend guides under installation accessories in this catalog. Order EVERLOC sleeves separately.



90° Elbows - EVERLOC Dual MPT/Copper

Article No.	Description	Package Quantity		Unit Weight		Minimum Order
		Box	Carton	g	lb	
260737-101	1/2 in. EVERLOC x 1/2 in. MPT or 1/2 in. C Female (Sweat) Drop Ear Elbow	25	150	118	0.26	1 box
260747-101	3/4 in. EVERLOC x 3/4 in. MPT or 1/2 in. C Female (Sweat) Elbow	15	90	172	0.38	1 box

Dual adapters connect RAUPEX pipe to either female threaded fittings (first size) or copper pipe (second size) in the sizes indicated. Art. 260737-101 has three drop ears with 0.275 in. diameter holes for increased stability. Art. 260747-101 does not have drop ears. Make threaded or solder connection before connecting to RAUPEX pipe. Order EVERLOC sleeves separately.



90° Elbows - EVERLOC to Copper

Article No.	Description	Package Quantity		Unit Weight		Minimum Order
		Box	Carton	g	lb	
260537-101	1/2 in. EVERLOC x 1/2 in. C Male (Street) or 3/8 in. C Female (Sweat) Elbow	50	300	59	0.13	1 box
260557-101	1/2 in. EVERLOC x 3/4 in. C Female (Sweat) Elbow	35	210	86	0.19	1 box
260757-101	1/2 in. EVERLOC x 3/4 in. C Male (Street) or 1/2 in. C Female (Sweat) Elbow	25	150	104	0.23	1 box
243687-101	5/8 in. EVERLOC x 1 in. C Male (Street) or 3/4 in. C Female (Sweat) Elbow	20	120	150	0.34	1 box
243697-101	5/8 in. EVERLOC x 3/4 in. C Male (Street) or 1/2 in. C Female (Sweat) Elbow	20	120	114	0.25	1 box
260767-101	3/4 in. EVERLOC x 1 in. C Male (Street) or 3/4 in. C Female (Sweat) Elbow	20	120	163	0.36	1 box
260817-101	3/4 in. EVERLOC x 3/4 in. C Male (Street) or 1/2 in. C Female (Sweat) Elbow	25	150	127	0.28	1 box

Copper adapters connect RAUPEX pipe to copper pipe in sizes indicated. Make solder connection before connecting to RAUPEX pipe. Order EVERLOC sleeves separately.

RAUPEX split-ring compression nut brass fittings are machined from solid brass stock. Integral fitting/insert design provides positive clamping and sealing action with split compression ring.



RAUPEX MPT Adapters

Article No.	Description	Package Quantity			Unit Weight		Minimum Order
		Bag	Box	Carton	g	lb	
267517	3/8 in. RAUPEX x 1/2 in. MPT or 1/2 in. C Female (Sweat)	5	35	210	130	0.29	1 bag
260987	1/2 in. RAUPEX x 1/2 in. MPT or 1/2 in. C Female (Sweat)	5	25	150	136	0.30	1 bag
267567	5/8 in. RAUPEX x 1/2 in. MPT or 1/2 in. C Female (Sweat)	5	25	150	135	0.30	1 bag
260357	3/4 in. RAUPEX x 3/4 in. MPT or 1/2 in. C Female (Sweat)	1	15	90	229	0.50	1 bag
260477	1 in. RAUPEX x 1 in. MPT or 3/4 in. C Female (Sweat)	1	10	60	305	0.67	1 box

Dual adapter fittings connect RAUPEX pipe to threaded fitting (first size) or copper pipe (second size) in sizes indicated. Make solder or threaded connection before connecting to RAUPEX pipe.



RAUPEX Adapters

Article No.	Description	Package Quantity			Unit Weight		Minimum Order
		Bag	Box	Carton	g	lb	
260997	1/2 in. RAUPEX x 1/2 in. C Female (Sweat)	5	30	180	108	0.24	1 bag
260347	3/4 in. RAUPEX x 3/4 in. C Female (Sweat)	1	20	120	166	0.37	1 bag
260467	1 in. RAUPEX x 1 in. C Female (Sweat)	1	10	60	274	0.60	1 bag

Copper adapter fittings connect RAUPEX pipe to copper pipe in sizes indicated. Make solder connection before connecting to RAUPEX pipe.

12.

EVERLOC BALL VALVES

REHAU's EVERLOC valves provide the same reliable connections as our other EVERLOC fittings. Easy installation with EVERLOC tools (see Installation Tools section). These ball valves complete your heating installation. Solder valves in open position.

Straight Ball Valves, EVERLOC to Copper



Article No.	Description	Cv	Package Quantity		Unit Weight		Minimum Order
			Box	Carton	g	lb	
261946-101	1/2 in. EVERLOC x 1/2 in. C Female (Sweat) Valve	3.0	24	144	150	0.33	1
243667-101	5/8 in. EVERLOC x 3/4 in. C Female (Sweat) Valve	6.2	18	108	243	0.54	1
261376-101	3/4 in. EVERLOC x 3/4 in. C Female (Sweat) Valve	6.2	12	72	223	0.49	1

Make solder connection before connecting to RAUPEX pipe. Order EVERLOC sleeves separately.

Straight Ball Valves, EVERLOC to EVERLOC



Article No.	Description	Cv	Package Quantity		Unit Weight		Minimum Order
			Box	Carton	g	lb	
261906-101	1/2 x 1/2 in. EVERLOC Valve	3.0	18	108	190	0.42	1
261956-101	3/4 x 3/4 in. EVERLOC Valve	6.2	12	72	230	0.51	1

Order EVERLOC sleeves separately.

Balancing Ball Valves, EVERLOC to Copper



Article No.	Description	Cv	Package Quantity		Unit Weight		Minimum Order
			Box	Carton	g	lb	
260797-101	1/2 in. EVERLOC x 1/2 in. C Female (Sweat) Balancing Valve	0 to 3.0	12	72	270	0.60	1
266447-101	3/4 in. EVERLOC x 3/4 in. C Female (Sweat) Balancing Valve	0 to 6.2	6	36	350	0.78	1

Balancing ball valves combine a balancing screw with a ball valve in one unit. To balance flow, use a 1/8 in. hex key to adjust flow from 0 to 100%. 10 turns open is 100% flow (Cv as shown above), 5 turns open is 50% flow and 1 turn open is 10% flow. (Cv value indicates flow in GPM at 1 psi loss). Integral ball valve allows quick, positive shut off. Make solder connection before connecting to RAUPEX pipe. Order EVERLOC sleeves separately.

13.

COMPRESSION NUT BALL VALVES

REHAU's compression nut valves provide the same reliable connections as our other compression nut fittings. These ball valves complete your heating installation. Solder valves in open position.

Straight Ball Valves, Compression Nut to Copper



Article No.	Description	Cv	Package Quantity		Unit Weight		Minimum Order
			Box	Carton	g	lb	
267527	3/8 in. RAUPEX x 1/2 in. C Female (Sweat) Valve	3.0	12	72	230	0.51	1 each
260277	1/2 in. RAUPEX x 1/2 in. C Female (Sweat) Valve	3.0	12	72	177	0.39	1 each
267587	5/8 in. RAUPEX x 1/2 in. C Female (Sweat) Valve	3.0	12	72	279	0.62	1 each
260367	3/4 in. RAUPEX x 3/4 in. C Female (Sweat) Valve	6.2	6	36	340	0.75	1 each

Make solder connection before connecting to RAUPEX pipe. Order EVERLOC sleeves separately.

Balancing Ball Valves, Compression Nut to Copper



Article No.	Description	Cv	Package Quantity		Unit Weight		Minimum Order
			Box	Carton	g	lb	
260847	1/2 in. RAUPEX x 1/2 in. C Female (Sweat) Balancing Valve	0 to 3.0	12	72	350	0.78	1 each
267597	5/8 in. RAUPEX x 1/2 in. C Female (Sweat) Balancing Valve	0 to 3.0	6	36	420	0.93	1 each

Balancing ball valves combine a balancing screw with a ball valve in one unit. To balance flow, use a 1/8 in. hex key to adjust flow from 0 to 100%. 10 turns open is 100% flow (Cv as shown above), 5 turns open is 50% flow and 1 turn open is 10% flow. (Cv value indicates flow at 1 psi loss). Integral ball valve allows quick positive shut off. Make solder connection before connecting to RAUPEX pipe.

14.

COPPER MANIFOLDS



Pre-Cut Copper Manifolds

Article No.	Description	Package Quantity	Unit Weight		Minimum Order
			kg	lb	
261326	1 in. Copper Manifold, 1/2 in. Outlets 2x	1	0.19	0.43	1
261336	1 in. Copper Manifold, 1/2 in. Outlets 3x	1	0.26	0.58	1
261346	1 in. Copper Manifold, 1/2 in. Outlets 4x	1	0.34	0.75	1

Manifolds are type L copper with open ends in sizes indicated. One end is copper male while the opposite end is flared to copper female (sweat). Manifold pieces may be combined to make longer manifolds. Copper outlets are high-temperature brazed (lead-free) into headers at 2 in. on-center so manifolds cannot be cut to length. 1/2 in. copper outlets are 2 in. long. Use with REHAU fittings and valves to assemble complete manifolds for heating applications.



Manifold Header Stock

Article No.	Description	Max GPM	Header Size	Outlet Size	Package Quantity	Unit Weight		Minimum Order
						kg	lb	
250810	1 x 1/2 in. Copper Manifold	20	1 in.	1/2 in.	1	2.3	5.1	1
250817	1 x 3/4 in. Copper Manifold	20	1 in.	3/4 in.	1	2.6	5.8	1
250820	1 1/4 x 1/2 in. Copper Manifold	32	1 1/4 in.	1/2 in.	1	3.0	6.5	1
250827	1 1/4 x 3/4 in. Copper Manifold	32	1 1/4 in.	3/4 in.	1	3.2	7.2	1
250829	1 1/2 x 1/2 in. Copper Manifold	44	1 1/2 in.	1/2 in.	1	3.7	8.1	1
250830	1 1/2 x 3/4 in. Copper Manifold	44	1 1/2 in.	3/4 in.	1	4.0	8.7	1
250839	2 x 1/2 in. Copper Manifold	75	2 in.	1/2 in.	1	5.3	11.8	1
250840	2 x 3/4 in. Copper Manifold	75	2 in.	3/4 in.	1	5.1	11.2	1
250850	2 x 1 in. Copper Manifold	75	2 in.	1 in.	1	6.8	15.0	1

Manifolds are type L copper with open ends in sizes indicated. Copper outlets are high-temperature brazed (lead-free) into headers. Each manifold is 72 in (180 cm) long with 24 outlets at 3 in. on-center, except the 2 x 1 in. copper manifold (Art. 250850) which has 18 outlets at 4 in. on-center. Manifolds can easily be cut to length. Do not exceed maximum flow rates listed above. Use with REHAU fittings and valves to assemble complete manifolds for heating applications.



Plastic Manifold Brackets

Article No.	Description	Package Quantity	Unit Weight		Minimum Order
			kg	lb	
261266	Plastic Manifold Brackets	1 Set of 2	0.18	0.40	1 set

Brackets are made of reinforced nylon. A 1.57 in (40 mm) offset allows supply/return manifold clearance. These brackets are used with 1 in. and 1 1/4 in. diameter copper manifolds using supplied flexible spacers.



End Cap Vent Drains

Article No.	Description	Package Quantity	Unit Weight		Minimum Order
			kg	lb	
250810-ECVD	1 in. End Cap Vent Drain	1	0.16	0.35	1
250820-ECVD	1 1/4 in. End Cap Vent Drain	1	0.23	0.50	1
250830-ECVD	1 1/2 in. End Cap Vent Drain	1	0.28	0.61	1
250840-ECVD	2 in. End Cap Vent Drain	1	0.42	0.93	1

End cap vent drain pieces are for use with copper manifolds for radiant and SIM applications. They allow easy connection of an automatic air vent (1/4 in. NPT) and a drain valve (1/2 in. NPT) to the end of the copper manifold. Use standard 1/4 in. NPT air vent.

Note: The REHAU automatic air vent (Art. 250212) does not work with the end cap vent drains due to different thread sizes. The REHAU automatic air vent is only for use on PRO-BALANCE brass manifolds.

15.

COPPER-EVERLOC MANIFOLDS



Open End, Cut-To-Length (CTL) Manifolds

Article No.	Description	Package Quantity	Unit Weight		Minimum Order
			kg	lb	
266357-001	1 in. EV CTL Manifold, 1/2 in. EV Outlets 24x	1	2.41	5.30	1
266397-001	1 in. EV CTL Manifold, 1/2 in. EV Outlets 12x	1	1.18	2.60	1

Manifolds are type L copper with open ends in sizes indicated. 1/2 in. EVERLOC fittings are high temperature brazed (lead-free) into headers at 3 in. on-center so manifolds can easily be cut to length. 24-outlet manifolds are 72 in (180 cm) long. 12-outlet manifold is 36 in (90 cm) long. Not certified for potable water.



EVERLOC Ball Valve Manifolds

Article No.	Description	Package Quantity	Unit Weight		Minimum Order
			kg	lb	
234107-101	1 in. EV Manifold CM In, 1/2 in. EV Valves 12x	1	2.7	6.0	1
234147-101*	1 1/4 in. EV Manifold CM In, 5/8 in. EV Valves 12x	1	4.1	9.1	1

* This item is not stocked. Lead times may vary.

Manifolds are type L copper with open ends. EVERLOC ball valves in sizes indicated are soldered onto the headers at 3 in. on-center. Manifolds can easily be cut to length. Not certified for potable water.

Art. 234107-101 includes 12 of 1/2 in. EV valves Art. 261946-101

Art. 234147-101 includes 12 of 5/8 in. EV valves Art. 243667-101

16.

INSTALLATION ACCESSORIES



Steel Support Bends

Article No.	Description	Package Quantity		Unit Weight		Minimum Order
		Box	Carton	g	lb	
258408	3/8 and 1/2 in. Steel Support Bend	10	50	50	0.10	1 box
258798	5/8 in. Steel Support Bend	10	50	90	0.19	1 box
257249	3/4 in. Steel Support Bend	10	50	150	0.32	1 box
261153	1 in. Steel Support Bend	5	50	380	0.84	1 box

Create 90° bends without an elbow fitting. 3/8, 1/2, 5/8 and 3/4 in. steel support bends create a 90° bend by quickly snapping over RAUPEX pipe. 1 in. steel support bends (not shown) slide onto pipe.



Polymer Support Bends with Screw Hole

Article No.	Description	Box Quantity	Unit Weight		Minimum Order
			g	lb	
266207	3/8 and 1/2 in. Polymer Support Bend	50	40	0.08	1 box
266217*	5/8 in. Polymer Support Bend	50	70	0.16	1 box
266227	3/4 in. Polymer Support Bend	50	70	0.16	1 box
266237	1 in. Polymer Support Bend	50	100	0.22	1 box
266727	1 1/4 in. Polymer Support Bend	50	200	0.44	1 box

* This item is not stocked. Lead times may vary.

These reinforced polymer bend supports create 90° bends without an elbow, quickly snapping over RAUPEX pipe. "Ear" on the inside of the bend has a screw hole for secure mounting to a support or stud.



PVC Bend Guides

Article No.	Description	Box Quantity	Unit Weight		Minimum Order
			g	lb	
266170	3/8 and 1/2 in. PVC Bend Guide	40	64	0.14	1 box
266175	5/8 and 3/4 in. PVC Bend Guide	30	142	0.31	1 box
266180	1 in. PVC Bend Guide	20	378	0.83	1 box

Create 90° bends without an elbow fitting by inserting RAUPEX pipe into these rigid plastic PVC bend guides. PVC bend guides provide protection at slab penetrations and create professional appearance at manifolds.



Rattle Bends

Article No.	Description	Box Quantity	Unit Weight		Minimum Order
			g	lb	
298676-001	3/8 and 1/2 in. Rattle Nail Bend	50	41	0.09	1 box
298686-001	3/8 and 1/2 in. Rattle Screw Support Bend	50	54	0.12	1 box
298696-001	3/8 and 1/2 in. Rattle Support Bend	50	36	0.08	1 box

These polymer support bends create a 90° bend by first sliding the rattle bend over the pipe. The pipe then can be bent in place to lock the rattle bend in position.



PE Protection Sleeves

Article No.	Description	Hole Size*	Package Quantity	Unit Weight		Minimum Order
				kg	lb	
236107	Protection Sleeve for 3/8 and 1/2 in. Pipe	1 in.	100 ft (30.4 m) coil	1.4	3.1	1 coil
236117	Protection Sleeve for 5/8 and 3/4 in. Pipe	1 1/4 in.	50 ft (15.2 m) coil	1.1	2.4	1 coil
236127*	Protection Sleeve for 1 in. Pipe	1 1/2 in.	50 ft (15.2 m) coil	1.7	3.6	1 coil
236137*	Protection Sleeve for 1 1/4 in. Pipe	2 in.	150 ft (45.7 m) coil	6.1	13.4	1 coil
236147*	Protection Sleeve for 1 1/2 in. Pipe	2 1/2 in.	100 ft (30.4 m) coil	7.8	17.2	1 coil
236157*	Protection Sleeve for 2 in. Pipe	3 in.	100 ft (30.4 m) coil	8.7	19.2	1 coil

* This item is not stocked. Lead times may vary.

Protects RAUPEX pipe at slab and wall penetrations, expansion and construction joints and abrasive surfaces. Use in joist space heating or other hydronic applications to prevent RAUPEX pipe from rubbing directly against wooden members. Most sizes are slit for easier installation.

*Recommended hole size to be drilled for proper installation.



RAUCROSS™ Heat Shrink

Article No.	Description	Package Quantity	Unit Weight		Minimum Order
			g	lb	
253615	3/8, 1/2, 5/8 and 3/4 in. Heat Shrink - 3.3 ft (1 m)	5 pcs/box	82	0.18	1 box
253625	3/4 and 1 in. Heat Shrink - 3.3 ft (1 m)	5 pcs/box	122	0.27	1 box
082351-100	1 1/2 and 1 1/4 in. Heat Shrink - 3.3 ft (1 m)	5 pcs/box	304	0.67	1 box

RAUCROSS heat shrink tubing is ideal for sealing around EVERLOC brass fittings installed in corrosive environments or buried in soil, or a thermal mass. Sized to seal tightly around fittings, RAUCROSS will shrink quickly with heat from a hot air gun. Follow installation instructions.



RAILFIX™ Fixing Rail

Article No.	Description	Slot Spacing in.	Package Quantity	Unit Weight		Minimum Order
				g	lb	
259238-2M	1/2 in. RAILFIX Fixing Rail - 6.5 ft (2 m)	2	16 pcs/bundle	480	1.06	1 bundle
266247-002	5/8 in. RAILFIX Fixing Rail - 6.5 ft (2 m)	1	16 pcs/bundle	510	1.12	1 bundle
266257	3/4 in. RAILFIX Fixing Rail - 6.5 ft (2 m)	2	16 pcs/bundle	620	1.36	1 bundle

For rapid installation of RAUPEX pipe in a thermal mass or in a sand bed. Fabricated of durable polymer material and pre-drilled for fastening with plastic holding pins (Art. 259268) or steel screws (not included).



Universal Fixing Rail 3/8 to 3/4 in.

Article No.	Description	Package Quantity	Unit Weight		Minimum Order
			g	lb	
266407	Universal Fixing Rail for 3/8, 1/2, 5/8 and 3/4 in. RAUPEX - 3.3 ft (1 m)	10 pcs/bundle	205	0.45	1 bundle

For rapid installation of RAUPEX pipe in four sizes indicated above. Universal fixing rail is molded with alternating small/large RAUPEX tabs that securely hold the pipe in place: the small tabs hold 3/8 and 1/2 in. RAUPEX pipes, while the large tabs hold 5/8 and 3/4 in. RAUPEX pipes. Alternating tabs are spaced at 4 in (10 cm) for installed pipe spacing of 4, 8 or 12 in. (10, 20 or 30 cm) on-center. Pieces are 3.3 ft (1 m) long. Flat bottom and pre-drilled holes allow for mounting directly onto insulation with plastic holding pins (Art. 259268), or onto concrete or wood floors with steel screws (not included). Clips at the end allow pieces to be snapped together to make longer lengths.



Galvanized Support Channel

Article No.	Description	Length		Package Quantity	Unit Weight		Minimum Order
		m	ft		kg	lb	
225527-001	3/4 in. Steel Support Channel	5.986	19.63	10 pcs/bundle	2.14	4.71	1 bundle
225537-001	1 in. Steel Support Channel	5.956	19.53	10 pcs/bundle	3.27	7.19	1 bundle
225547-001	1 1/4 in. Steel Support Channel	5.942	19.49	8 pcs/bundle	3.91	8.60	1 bundle
225557-001	1 1/2 in. Steel Support Channel	5.926	19.45	6 pcs/bundle	5.59	12.30	1 bundle
225567-001	2 in. Steel Support Channel	5.896	19.33	4 pcs/bundle	6.95	15.29	1 bundle

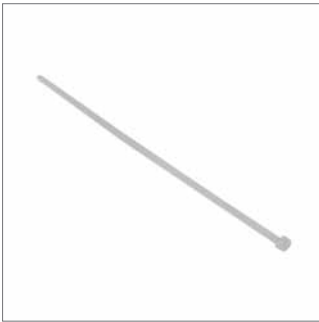
When RAUPEX pipe is snapped into the steel support channel, the result is a rigid pipe that can be supported in overhead applications.



Plastic Holding Pin

Article No.	Description	Package Quantity		Unit Weight		Minimum Order
		Bag	Box	g	lb	
259268	Plastic Holding Pin	500	5000	1.46	0.003	1 bag

Plastic holding pins are used to secure RAILFIX fixing rail and universal fixing rail (Art. 266407) to rigid insulation.



Nylon Pipe Ties

Article No.	Description	Package Quantity	Unit Weight		Minimum Order
			g	lb	
724448	Nylon Pipe Ties	1000/bag	1.43	0.003	1 bag

Non-abrasive nylon pipe ties safely secure pipe directly to slab reinforcing bars or wire mesh. Ties are 8 in. long and rated at 50 lbs tensile strength.



Locking Clips

Article No.	Description	Package Quantity	Unit Weight		Minimum Order
			g	lb	
261496+	3/8 in. Locking Clips	100/bag	4	0.01	1 bag
261556	1/2 in. Locking Clips	100/bag	5	0.01	1 bag
261506+	5/8 in. Locking Clips	100/bag	6	0.01	1 bag
261516	3/4 in. Locking Clips	50/bag	7	0.02	1 bag
261566	1 in. Locking Clips	50/bag	12	0.03	1 bag
261576	1 1/4 in. Locking Clips	50/bag	12	0.03	1 bag
261586	1 1/2 in. Locking Clips	25/bag	18	0.04	1 bag
261596	2 in. Locking Clips	25/bag	30	0.07	1 bag

+ This item is not stocked. Lead times may vary.
 Locking clips allow for rapid installation of RAUPEX pipe. Larger clips (1 to 2 in.) are for use with RAUPEX pipe or copper manifolds. Locking clips attach to surface with a screw or nail (not included). RAUPEX pipe or manifold snaps in place when pushed into clip and can be removed without damaging clip.



Talon Drive Hooks and Low Profile Talons

Article No.	Description	Package Quantity		Unit Weight		Minimum Order
		Bag	Box	g	lb	
260866	Twin Talon Drive Hooks	100/bag		6	0.01	1 bag
260846	Low Profile 3/8 in. Talons	100/bag		4	0.01	1 bag
261766	Low Profile 1/2 in. Talons	100/bag		4	0.01	1 bag
261776	Low Profile 5/8 in. and 3/4 in. Talons	50/bag		6	0.01	1 bag
261806	Low Profile 1 in. Talons	50/bag		10	0.02	1 bag

Talon drive hooks secure 3/8, 1/2, 5/8, 3/4 or 1 in. pipe to wood subfloors, joists or in joist cavities. Low profile talons secure pipe in sizes indicated and are ideal for use with wooden "sleeper" radiant installations. Pre-installed barbed nail prevents backout.



Single Nail Clamps

Article No.	Description	Package Quantity		Unit Weight		Minimum Order
		Bag	Box	g	lb	
261746	Single Nail Clamp for 3/8 and 1/2 in. Pipe	100	1500	4	0.01	1 bag
261756	Single Nail Clamp for 3/4 in. Pipe	100	1000	5	0.01	1 bag

Completely encircles pipe. Pre-installed barbed nail prevents backout.



Plastic Pipe Clamps

Article No.	Description	Package Quantity		Unit Weight		Minimum Order
		Bag	Box	g	lb	
282401	1 1/4 in. Plastic Pipe Clamp	50	800	16	0.04	1 bag
282411*	1 1/2 in. Plastic Pipe Clamp	25	600	20	0.05	1 bag
282421	2 in. Plastic Pipe Clamp	25	300	32	0.07	1 bag

* This item is not stocked. Lead times may vary.

Secures RAUPEX pipe to both wood and metal framework.



Isolating Suspension Clamps

Article No.	Description	Package Quantity		Unit Weight		Minimum Order
		Bag	Box	g	lb	
282431*	1 1/4 in. Isolating Suspension Clamp	50	800	15	0.03	1 bag
282441	1 1/2 in. Isolating Suspension Clamp	25	600	28	0.04	1 bag
282451	2 in. Isolating Suspension Clamp	25	300	23	0.05	1 bag

* This item is not stocked. Lead times may vary.

Secures RAUPEX pipe to both wood and metal framework.



EVERLOC Standard Tool Kit

Article No.	Description	Package	Unit Weight		Minimum Order
		Quantity	kg	lb	
261216	EVERLOC Standard Tool Kit	1	7.6	16.7	1

The EVERLOC standard tool kit is specifically designed for assembling 1/2 in and 3/4 in. EVERLOC fittings. With the addition of 3/8, 5/8, 1 and 1 1/4 in. expander heads (sold separately) and 1 and 1 1/4 in. VERSALOC® jaws (sold separately) this tool kit can assemble all sizes of EVERLOC 3/8 to 1 1/4 in. EVERLOC standard tool kit comes complete with the following:

- Pipe expander (Art. 139592)
- 1/2 and 3/4 in. expander heads (Art. 261866 and 261886)
- COMBOLOC® combination expansion/compression tool (Art. 243107)
- VERSALOC manual compression tool (Art. 243737)
- 4-in-1 VERSALOC jaws set (Art. 243767)
- RAUCUTTER (Art. 137495)
- Tool box (Art. 261206)
- Grease and brush pack for expander maintenance



EVERLOC Deluxe Tool Kit

Article No.	Description	Package	Unit Weight		Minimum Order
		Quantity	kg	lb	
261256	EVERLOC Deluxe Tool Kit	1	10.4	22.9	1

The EVERLOC deluxe tool kit is specifically designed for assembling 1/2, 3/4 and 1 in. EVERLOC fittings. With the addition of 3/8, 5/8 and 1 1/4 in. heads (sold separately) and 1 1/4 in. VERSALOC jaws (sold separately) this tool kit can assemble all sizes of EVERLOC 3/8 to 1 1/4 in. EVERLOC deluxe tool kit comes complete with the following:

- Pipe expander (Art. 139592)
- 1/2, 3/4 and 1 in. expander heads (Art. 261866, 261886 and 261896)
- COMBOLOC combination expansion/compression tool (Art. 243107)
- VERSALOC manual compression tool (Art. 243737)
- 4-in-1 VERSALOC jaws (set) and 1 in. VERSALOC jaws (Art. 243767 and 243787)
- RAUCUTTER (Art. 137495)
- Ratchet cutter for 1 1/2 in. RAUPEX (Art. 138062)
- Tool box (Art. 261206)
- Grease and brush pack for expander maintenance



VERSALOC Compression Tool

Article No.	Description	Package	Unit Weight		Minimum Order
		Quantity	kg	lb	
243737	VERSALOC Compression Tool	1	1.45	3.2	1

The VERSALOC compression tool easily compresses EVERLOC sleeves onto EVERLOC fittings up to 1 1/4 in. for a reliable connection. Ideal for all types of installation applications including joist cavities and other tight spaces. The VERSALOC compression tool is used with interchangeable VERSALOC jaws (jaws sold separately).



VERSALOC Compression Jaws

Article No.	Description	Package Quantity	Unit Weight		Minimum Order
			kg	lb	
243767	4-in-1 VERSALOC Compression Jaws (Set)	1 set of 2	0.37	0.8	1 set
243787	1 in. VERSALOC Compression Jaws (Set)	1 set of 2	0.68	1.5	1 set
243797	1 1/4 in. VERSALOC Compression Jaws (Set)	1 set of 2	0.50	1.1	1 set

4-in-1 VERSALOC compression jaws are used with the VERSALOC compression tool to compress EVERLOC fittings in sizes 3/8, 1/2, 5/8 and 3/4 in. The lower cavity works with 3/8 and 1/2 in. EVERLOC fittings while the upper cavity works with 5/8 and 3/4 in. The 4-in-1 jaws reduce switching of jaws for common fitting sizes.



Combination Screw Drive Tool

Article No.	Description	Package Quantity	Unit Weight		Minimum Order
			kg	lb	
261296	3/8 to 3/4 in. EVERLOC Combination Screw Drive Tool	1	1.27	2.79	1

Especially for hydronic baseboard installations this compact tool is ideal for the assembly of the EVERLOC fittings in tight locations, where a flush compression tool is required. This compression tool is an alternative to the VERSALOC compression tool.

This tool uses an 11/16 in. socket or wrench (not included) to drive the screw-drive threaded mechanism. The combination tool has dual cavities: the upper cavity compresses 5/8 and 3/4 in. fittings while the lower cavity compresses 3/8 and 1/2 in. fittings.



RAUPEX Pipe Expander

Article No.	Description	Package Quantity	Unit Weight		Minimum Order
			kg	lb	
139592	RAUPEX Pipe Expander	1	0.88	1.9	1

Expands RAUPEX pipe quickly and easily to assemble EVERLOC fittings. Includes grease and brush pack for expander tool maintenance. Expander heads sold separately.



Pipe Expander Heads

Article No.	Description	Package Quantity	Unit Weight		Minimum Order
			kg	lb	
261856	3/8 in. Expander Head	1	0.17	0.37	1
261866	1/2 in. Expander Head	1	0.15	0.32	1
261876	5/8 in. Expander Head	1	0.16	0.35	1
261886	3/4 in. Expander Head	1	0.16	0.35	1
261896	1 in. Expander Head	1	0.18	0.39	1
235417	1 1/4 in. Expander Head	1	0.20	0.45	1

Expander heads come in six sizes to expand RAUPEX pipe. For use with RAUPEX pipe expander (Art. 139592).



COMBOLOC Combination Expansion/Compression Tool

Article No.	Description	Package Quantity	Unit Weight		Minimum Order
			kg	lb	
243107	COMBOLOC Combination Expansion/Compression Tool	1	1.09	2.4	1

The COMBOLOC tool combines both expansion and compression capabilities for 3/8 and 1/2 in. EVERLOC fittings in one compact tool that fits into tight areas. The COMBOLOC tool will fit flat against a wall or floor. The COMBOLOC tool can expand all sizes of RAUPEX pipe up to 1 in. and compress EVERLOC fittings sizes 3/8 and 1/2 in. Expander heads sold separately.



RAUPEX Cutters

Article No.	Description	Package Quantity	Unit Weight		Minimum Order
			kg	lb	
137495	RAUCUTTER for up to 1 in. RAUPEX	1	0.17	0.38	1
138062	Ratchet Cutter for up to 1 1/2 in. RAUPEX	1	0.41	0.90	1
139092	Large Ratchet Cutter for up to 63 mm RAUPEX	1	1.09	2.41	1

It is important to use a proper cutter when cutting RAUPEX pipes. RAUPEX cutters provide clean, square and accurate cutting of RAUPEX pipes in sizes indicated.



H/G1 Mechanical Hydraulic Tool Kit

Article No.	Description	Package Quantity	Unit Weight		Minimum Order
			kg	lb	
235407	H/G1 Tool Kit 1 1/2 to 2 in.	1	33.2	73.1	1

The H/G1 tool kit is specifically designed for assembling 1 1/2 and 2 in. EVERLOC fittings onto RAUPEX pipes. This powerful hydraulic tool uses a foot-pump, a 10-ft (3 m) hydraulic hose with quick-release fittings and an actuating head that is used for both expansion and compression steps. Follow all included safety warnings about safe use of this tool. With additional accessories, the H/G1 hydraulic tool can also be used for assembling EVERLOC fittings in sizes 40 to 110 mm (see REHAU's Energy Transfer Program).

The H/G1 tool kit comes complete with the following:

- Mechanical hydraulic foot pump HFP (Art. 138132-001)
- Hydraulic cylinder (Art. 137904-001) with hydraulic hose H/G1 (Art. 139382-001)
- Head assembly with 2 short + 2 long locking pins (Art. 137914-001)
- Pipe cutter up to 63 mm (Art. 139092)
- Deburring tool (Art. 138990-001)
- Transport case basic (Art. 137724-001)
- Operating instructions (Lit. 856.690)
- Expansion heads G: 1 1/2 in (Art. 235427-001), 2 in (Art. 235437-001)
- Compression jaws G: 1 1/2 in. & 40 mm (Art. 137964-002), 2 in (Art. 235497-001)

Accessory items sold separately:

- Set of 2 short + 2 long locking pins (Art. 137745-001)
- HFP adapter to G2 hose (Art. 235407-910)



Screw Clip Ratchet Tool

Article No.	Description	Package Quantity	Unit Weight		Minimum Order
			kg	lb	
260886	Screw Clip Ratchet Tool	1	0.7	1.6	1

From a standing position, the screw clip ratchet tool quickly attaches insulation screw clips. (Art. 260836).



Insulation Screw Clips

Article No.	Description	Package Quantity	Unit Weight		Minimum Order
			g	lb	
260836	Insulation Screw Clips	1000/bag	8	0.02	1 bag

Insulation screw clips secure RAUPEX pipe to rigid insulation such as extruded polystyrene or polyurethane. Not recommended for use with expanded polystyrene foam insulation. Can be used with 1/2, 5/8 and 3/4 in. RAUPEX pipe. Can be installed with screw clip ratchet tool (Art. 260886).



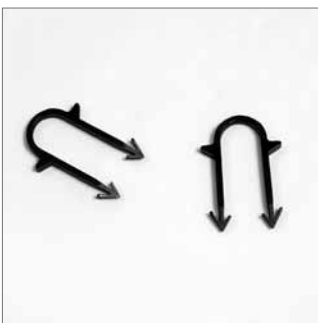
RAUTACKER 3D Stapler Tool

Article No.	Description	Package Quantity	Unit Weight		Minimum Order
			kg	lb	
298956-001	RAUTACKER 3D Stapler Tool	1	2.78	6.12	1
298966-001	RAUTACK 3D 1 3/8 in. Foam Staple	400/box	0.0018	0.004	1 box
298196-001	RAUTACK 3D 2 3/8 in. Foam Staple	400/box	0.0022	0.005	1 box

RAUTACK 3D foam staples are used when installing RAUPEX pipe on rigid foam board insulation in radiant heating and snow and ice melting applications. Extruded polystyrene foam board is recommended. The polyethylene (PE) staples with retention barbs are supplied in magazines of 25 staples. The 1 3/8 in. staple is for use with minimum 1 in (25 mm) thick insulation. The 2 3/8 in. staple is for use with minimum 1 1/2 in (38 mm) thick insulation.



RAUTACK 3D 1 3/8 in. staples work with 3/8, 1/2 and 5/8 in. pipe. RAUTACK 3D 2 3/8 in. staples are required for 3/4 in. pipe, but also work with 3/8, 1/2 and 5/8 in. pipe. Typically, one staple is required every 3 ft (90 cm) on straight runs of pipe with an additional staple in the middle of bends. RAUTACK 3D staples are installed from a standing position using the RAUTACKER 3D stapler tool. Follow all published installation instructions.



RAUTACK Foam Staples

Article No.	Description	Package Quantity	Unit Weight		Minimum Order
			kg	lb	
266187	RAUTACK 1 1/2 in. Foam Staple	300/box	0.002	0.005	1 box
266197	RAUTACK 2 1/4 in. Foam Staple	300/box	0.002	0.005	1 box

For use with RAUPEX pipe to install on rigid foam board insulation (extruded polystyrene is recommended). RAUTACK foam staples work with 3/8, 1/2, 5/8 and 3/4 in. RAUPEX pipes installed in radiant and SIM applications. The 1 1/2 in. staple is for use with minimum 1 in (25 mm) thick insulation. The 2 1/4 in. staple is for use with minimum 1 1/2 in (38 mm) thick insulation. Staples are strong enough so that typically only one staple is required every 3 ft (90 cm) on straight runs of pipe, with one staple in the middle of bends. The RAUTACK foam staple is installed from a standing position using RAUTACKER stapler tool. Follow all published instructions.

Note: For use with previous version of RAUTACKER stapler tool (Art. 266177). Not compatible with RAUTACKER 3D stapler tool (Art. 298956-001).



Wire Mesh Mounting Tool

Article No.	Description	Package Quantity	Unit Weight		Minimum Order
			kg	lb	
298936-001	Wire Mesh Clip Mounting Tool	1	2.0	4.4	1
298946-001	Mounting Clip for 3 mm Wire Mesh	400/box	0.008	0.017	1 box

Use tool to install RAUPEX pipe on 3 mm wire mesh. Mounting clips work with 1/2 in. RAUPEX pipe installed in radiant and snow and ice melting applications.



Hand Power (HP) Stapler Tool

Article No.	Description	Package Quantity	Unit Weight		Minimum Order
			kg	lb	
266287	Hand Power (HP) Stapler Tool	1	2.5	5.5	1
266297	Hand Power (HP) 1 1/2 in. Plastic Staple	500/box	0.004	0.009	1 box

For use with RAUPEX pipe to install on wooden subfloor systems. The lightweight HP stapler tool installs special plastic staples with integral steel nail without the use of air power or electricity. Strong HP plastic staples work with 3/8, 1/2 and 5/8 in. RAUPEX pipe installed in radiant applications. HP plastic staples are installed from a standing position by pushing quickly on the handle of the HP stapler tool. T-handle reduces effort and increases stability.



Pneumatic Stapler

Article No.	Description	Package Quantity	Unit Weight		Minimum Order
			kg	lb	
261016	Pneumatic Stapler	1	5.0	11.0	1
261016-STP	1 1/4 in. Staples for use with Pneumatic Stapler	10,000/box	3.2	7.0	1 box

This professional quality air tool quickly and securely fastens RAUPEX pipe to a wooden subfloor. For use with 3/8, and 1/2 in. RAUPEX pipe, it comes complete with pogo stick extension arm so it can be used from a standing position. Special design prevents firing until tool head is securely around pipe. Use only the Senco staples (Art. 261016-STP, P15BAB) listed above or equal; 1 in. crown, 1 1/4 in. leg, 16 gauge chisel point. Follow all included safety warnings for safe use.



Staple Clip Gun

Article No.	Description	Package Quantity	Unit Weight		Minimum Order
			kg	lb	
266117	Staple Clip Gun	1	0.58	1.30	1
266127	3/8 in. Flush Mount Staple Clips	100/bag	0.03	0.06	1 bag
266137	1/2 in. Flush Mount Staple Clips	100/bag	0.03	0.06	1 bag
266147*	5/8 in. Flush Mount Staple Clips	100/bag	0.03	0.06	1 bag
266157	3/4 in. Flush Mount Staple Clips	100/bag	0.03	0.06	1 bag

* This item is not stocked. Lead times may vary.

For fast installation of RAUPEX pipe onto a wood surface. Hand-powered staple clip gun shoots plastic clips with steel staple inserts. Clips hold the pipe away from the surface. Pump gun three times per staple. All sizes of clips are installed with the same gun. Follow all included safety warnings for safe use.



Pressure Tester

Article No.	Description	Package Quantity	Unit Weight		Minimum Order
			kg	lb	
257334	Air Pressure Tester	1	0.3	0.8	1

Air pressure tester threads into the 1 in. isolation valve on a PRO-BALANCE or brass HLV manifold and connects to an air hose (Schrader valve included). Tester includes a pressure gauge that reads from 0 to 200 psi. Follow all published pressure testing instructions for RAUPEX piping systems.



Infrared Thermometer

Article No.	Description	Package Quantity	Unit Weight		Minimum Order
			g	lb	
261696-001	IR Thermometer	1	240	0.53	1

Non-contact infrared thermometer can be used to measure temperatures of heated or unheated floors, indoor building surfaces, heating system components (including pipes and manifolds). Includes 2 AAA batteries and provides up to 130 hours of continuous use.



RAUPEX Universal Uncoiler

Article No.	Description	Package Quantity	Unit Weight		Minimum Order
			kg	lb	
282191	RAUPEX Universal Uncoiler	1	40.8	90.0	1

Uncoiler dispenses RAUPEX pipe without twists or kinks. Pneumatic tires allow easy transportation over rough terrain. Pipe can be drawn off either vertically (as shown) or horizontally. Capable of holding up to 1,000 ft of 3/4 in. PEX. The unit is less than 30 in. wide to get through doorways. Removable spool allows for convenient transportation to job sites.



RAUPEX Horizontal Uncoiler

Article No.	Description	Package Quantity	Unit Weight		Minimum Order
			kg	lb	
286151-001	RAUPEX Horizontal Uncoiler	1	13	28	1

Uncoiler dispenses RAUPEX pipe without twists or kinks. Pipe is drawn off horizontally. Uncoiler is capable of holding RAUPEX coils up to 1 in. and folds for convenient transportation to job sites.

18.

ELECTRONIC CONTROLS



Radiant Floor Heating (RFH) Controls

Article No.	Description	Package	Unit Weight		Minimum Order
		Quantity	kg	lb	
236317-001*	Floating Action Mixing Control (360)	1	1.4	3.1	1
236327-001*	Variable Speed Mixing Control (361)	1	1.4	3.0	1

* Item not stocked, ships within 48 hours

The floating action mixing control is an outdoor reset control designed to control the mixed supply water temperature to a radiant system. The floating action mixing control operates a 24 VAC floating action 2, 3, or 4-way mixing valve actuator (Art. 260526, Art. 260566) to regulate the supply water temperature while still protecting a non-condensing boiler against flue gas condensation. This control also provides for boiler operation, primary pump operation, and secondary pump operation.

Floating action mixing control specifications:

Power supply:	120 V +/- 10%, 50/60 Hz, 1300 VA
Relays:	240 VAC, 10A, 1/3 hp
Demands:	20 to 260 VAC, 2 VA
Sensors included:	Outdoor Sensor (Art. 23 6207) and two Universal Sensors (Art. 23 6217)
Enclosure:	Blue PVC plastic
Dimensions:	6 5/8 H x 7 9/16 W x 2 13/16 in. D (17.0 x 19.3 x 7.2 cm)

The variable speed mixing control is an outdoor reset control designed to control the mixed supply water temperature to a radiant system. The variable speed mixing control operates a variable speed injection pump to regulate the supply water temperature while still protecting the boiler against flue gas condensation. This control also provides for boiler operation, primary pump operation, and secondary pump operation.

Variable speed mixing control specifications:

Power supply:	120 V +/- 10%, 50/60 Hz, 1300 VA
Relays:	240 VAC, 10A, 1/3 hp
Demands:	20 to 260 VAC, 2 VA
Sensors included:	Outdoor Sensor (Art. 23 6207) and two Universal Sensors (Art. 23 6217)
Enclosure:	Blue PVC plastic
Dimensions:	6 5/8 H x 7 9/16 W x 2 13/16 in. D (17.0 x 19.3 x 7.2 cm)



Snow and Ice Melt (SIM) Control

Article No.	Description	Package	Unit Weight		Minimum Order
		Quantity	kg	lb	
236337-001*	Single Zone Variable Speed Injection SIM Control (667)	1	1.4	3.1	1
298736-001*	Two Zone Two Stage Boiler SIM Control (664)	1	1.6	3.5	1
298746-001*	Single Zone SIM Controller w/ Pulse Width Modulation (665)	1	1.4	3.1	1

* Item not stocked, ships within 48 hours

The automatic SIM mixing control is a microprocessor-based control designed to maximize the safety and efficiency provided by a hydronic snow and ice melt (SIM) system.

The automatic SIM mixing control is capable of providing snow and ice melting operation based on a remote start/stop module or an external melt demand signal. When the snow-ice sensor (Art. 236375-001) is used, the control can be run automatically, heating the SIM area when moisture is detected during freezing conditions. In typical use, melting operation continues until the sensor no longer detects moisture on its surface.

When the control is not in melting mode, the system can either be automatically shut down or can operate in an idle mode, maintaining the SIM area at a set idle temperature for faster response and improved safety. This saves energy when compared with SIM systems that are always kept at melting temperature.

The automatic SIM mixing control provides slab protection by limiting the maximum fluid temperature that is sent to the SIM area and by limiting the delta T between supply and return fluid temperatures. Both settings are adjustable by the installer. The control also provides boiler protection to help prevent condensation of flue gases (for non-condensing boilers), by controlling the minimum return fluid temperature.

Warm weather shut down turns off the control when the slab temperature and the outdoor air temperature exceed the set melting temperature by more than 2°F (1°C). Cold weather cut-off turns off the control when the outdoor temperature drops below a set temperature, beyond which SIM operation is unnecessary or impractical.

Automatic SIM control specifications:

LCD display:	Can be set in °F or °C
Power supply:	115 V +/- 10%, 50/60 Hz, 600 VA
Relays:	230 VAC, 5 A, 1/3 hp, pilot duty 24 VA
Variable pump:	230 VAC, 2.4 A, 1/6 hp, fuse T2.5 A 250 V
Demands:	20 to 260 VAC, 2 VA
Enclosure:	Blue PVC plastic
Dimensions:	6 5/8 H x 7 9/16 W x 2 13/16 in. D (17.0 cm x 19.3 cm x 7.2 cm)
For indoor use only:	32 to 104°F (0 to 40°C), < 90% RH non-condensing
Sensors included:	Outdoor sensor (Art. 236207); 3 of universal sensor
Sensors required:	Snow/ice sensor (Art. 236357-001) and socket kit (Art. 236367-001) or slab sensor (Art. 236227 or 236237)



Electronic Accessories

Article No.	Description	Package	Unit Weight		Minimum Order
		Quantity	kg	lb	
236207*	070 Outdoor Sensor	1	0.16	0.35	1
236227*	072 Slab Sensor (20 ft / 6 m cable)	1	0.17	0.37	1
236237*	073 Slab Sensor (40 ft / 12 m cable)	1	0.39	0.86	1
236297-001	R003P 24VAC Relay	1	0.13	0.29	1
236357-001*	090 Snow/Ice Sensor (65 ft / 19.8 m Jacketed Cable)	1	2.00	4.40	1
236367-001*	091 Snow/Ice Sensor Socket	1	0.82	1.80	1

* This item is not stocked. Lead times may vary.

Electronic accessories can be used with specific mixing controls and/or digital thermostats as replacements and/or additional connections. Refer to mixing control and/or thermostat for compatibility.

19. MIXING VALVES



Variable Speed Injection Mixing Module

Article No.	Description	Package Quantity	Unit Weight		Minimum Order
			kg	lb	
281731-001+	Variable Speed Mixing Module	1	8.4	18.5	1

+ This item is not stocked. Lead times may vary.

Used to supply design temperature water to the PRO-BALANCE or HLV manifolds. Capability up to 120,000 Btu/hr. Included is an electronic variable speed injection mixing control, variable speed pump and system circulator including air elimination valve into a single compact unit. Extremely versatile, the variable speed mixing module is equipped to be set up as an outdoor reset control, a set point control or a delta T limiting control.

Features:

- All in one injection piping, pumping, air elimination & control package
- Only 4 pipe connections required
- Plug-in low voltage connections
- Solid state microprocessor design
- Reduce installation complexity and time
- Substantial space savings
- Line cord included
- Bronze casing for open or closed systems
- Replaceable cartridge design
- Maintenance free, wet-rotor circulators
- 3 operation modes, outdoor reset, set point or delta T with limit
- Internal check valve
- Automatic pump exercise
- Adjustable reset ratio
- Warm weather shutdown
- Boiler control or enable setting
- Boiler protection sensor
- C° or F° Display
- Outdoor and 2 strap-on sensors included
- 120 VAC power supply



Modulating Mixing Valves

Article No.	Description	Cv	Package		Unit Weight		Minimum Order
			Quantity		kg	lb	
298016-001*	3/4 in. 3-way Modulating Mixing Valve	4.5	1		0.60	1.32	1
298776-001	1 in. 3-way Modulating Mixing Valve	4.5	1		0.68	1.50	1
298026-001*	1 1/4 in. 4-way Modulating Mixing Valve	17.5	1		1.43	3.15	1

* This item is not stocked. Lead times may vary.

REHAU modulating mixing valves are a powerful cost effective alternative for zone mixing with such features as outdoor reset, boiler return temperature protection and warm weather shut down (WWSD).

- Maximum operating pressure: 300 psi (2,100 KPa)
- Fluid temperature range: 20 to 240°F (-7 to 115°C) @ 135°F (57°C) ambient
- Adjustable setpoint dial 80 to 180°F (27 to 82°C)
- Selectable 15°F (-9°C) setback
- Optional boiler protection set at 135°F (57°C)



Thermostatic 3-Way Mixing Valves

Article No.	Size	Cv	Connection	Temperature Range	Package		Unit Weight		Minimum Order
					Quantity		kg	lb	
234037	3/4 in.	1.9	NPT	85 to 160°F (19 to 71°C)	1		0.54	1.2	1
234047*	3/4 in.	1.8	Compression	95 to 140°F (35 to 60°C)	1		0.60	1.3	1
260068-001	1 in.	4.1	NPT	95 to 140°F (35 to 60°C)	1		0.91	2.0	1

* This item is not stocked. Lead times may vary.

Thermostatic mixing valves control supply water temperature for small-sized radiant systems. Sensing element is a wax/copper compound mounted within the valve body. Provides rapid stabilization of supply water temperature. Temperature is adjusted with the knob located at the top of the valve body. For feedback on temperature adjustments place a thermometer (Art. 260957, 260967) downstream of the valve. Compression-type fitting for copper distribution piping or NPT type for threaded pipe. Size valve based on Cv rating (GPM @ 1 psi pressure loss, 2.3 feet headloss).

Specifications:

- Maximum input temperature: 195°F (90°C)
- Regulated output temperature range: as listed
- Maximum working pressure: 145 psi (10 bar; 1 MPa)
- Regulation accuracy: +/- 3.6°F (2°C) at a minimum flow of 0.5 GPM (2 l/m)
- Material: brass body



Control Motor for Mixing Valves up to 2 in.

Article No.	Description	Motor Speed	Package		Unit Weight		Minimum Order
			Quantity		kg	lb	
260526-001	600 Series Motor with End Switch for Valves up to 2 in.	96 sec	1		0.5	1.2	1

Use with mixing valves 2 in. and smaller for motor operated control. The motor is controlled by REHAU outdoor reset/mixing controls. Operates on 24 Volt AC input provided through these controls. No additional installation kit is required. Built-in end switch is included. Manual override of mixing valve is possible by pulling out and turning the knob. Be sure to adjust the motor speed setting on electronic mixing controls to 96 seconds.

Specifications:

- Ambient temperature range: 22 to 130°F (-5 to 55°C)
- Torque: 53.10 in. lbs
- Protection type: NEMA 1 (IP 40)
- Supply voltage: 24 VAC, 50 - 60 Hz
- Power consumption: 2 VA (watts) when operating

Brass Mixing Valves

Compact 3- or 4-way brass mixing valves are ideal for reliable control of radiant or SIM supply water temperature. Suitable for motor controlled radiant or SIM applications with 600 series control motor (Art. 260526-001). When choosing a 3- or 4-way mixing valve, size according to flow (Cv) and not pipe size, for more accurate mixing. This often means using a valve that is one size smaller than supply/return pipes.



3-Way Brass Mixing Valves

Article No.	Description	Cv	Package Quantity	Unit Weight		Minimum Order
				kg	lb	
260106-001	3/4 in. FPT 3-way Brass Mixing Valve	7.3	1	0.5	1.0	1
260116-001	1 in. FPT 3-way Brass Mixing Valve	11.7	1	0.7	1.5	1
260136-001	1 1/4 in. FPT 3-way Brass Mixing Valve	18.7	1	1.0	2.3	1
260146-001	1 1/2 in. FPT 3-way Brass Mixing Valve	29.3	1	1.68	3.7	1

Specifications:

- Maximum operating pressure: 145 psi (10 bar)
- Maximum operating temperature: 230°F (110°C)
- Minimum operating temperature: -15°F (-10°C)
- Maximum mixing differential pressure: 14.5 psi (1 bar)
- Maximum diverting differential pressure: 20 psi (2 bar)
- Maximum torque: 45 lbf-in (5 Nm)



4-Way Brass Mixing Valves

Article No.	Description	Cv	Package Quantity	Unit Weight		Minimum Order
				kg	lb	
260236-001	3/4 in. FPT 4-way Brass Mixing Valve	7.3	1	0.5	1.1	1
260246-001	1 in. FPT 4-way Brass Mixing Valve	11.7	1	0.8	1.7	1
260266-001	1 1/4 in. FPT 4-way Brass Mixing Valve	18.7	1	1.2	2.6	1

Specifications:

- Maximum operating pressure: 145 psi (10 bar)
- Maximum operating temperature: 230°F (110°C)
- Minimum operating temperature: -15°F (-10°C)
- Maximum differential pressure: 14.5 psi (1 bar)
- Maximum torque: 45 lbf-in (5 Nm)



Primary/Secondary Closely-Spaced Tee with Isolation Ball Valves

Article No.	Description	Package Quantity	Unit Weight		Minimum Order
			kg	lb	
281781-001	1 1/4 x 3/4 in. Closely-spaced Tee with Isolation Ball Valve	1	1.58	3.49	1
281791-001	1 1/4 x 1 in. Closely-spaced Tee with Isolation Ball Valve	1	1.74	3.83	1

These valves are used to connect the secondary loop (mixed temperature side) to the primary (boiler) loop. The integral closely-spaced tee results in eliminating pressure differences in the region of the connections of the primary and secondary piping. This results in the hydraulic isolation (separation) of the primary and secondary systems and is a professional strategy for installation of hydronic systems. The isolation ball valve can be closed for system purging from the primary to the secondary side.



Pressure Differential Bypass Valves

Article No.	Description	Package Quantity	Unit Weight		Minimum Order
			kg	lb	
260517	1/2 in. C Female (Sweat) Pressure Bypass Valve	1	0.68	1.5	1
260527	3/4 in. C Female (Sweat) Pressure Bypass Valve	1	0.91	2.0	1
267987*	1 in. MPT Pressure Bypass Valve	1	1.40	3.0	1

* This item is not stocked. Lead times may vary.

Pressure differential bypass valves divert excess flow when one circulator pump is used with multiple zones, reducing wear on the pump, avoiding noise problems in the control valves and allowing more stable temperature control. Applications include PRO-BALANCE manifolds using manifold valve actuators. Valves are pressure-adjustable. Connections (union ends) are to copper pipe for 1/2 and 3/4 in. valves. The 1 in. valve is supplied with 1 in. MPT union ends.



Thermometers

Article No.	Description	Package Quantity	Unit Weight		Minimum Order
			kg	lb	
260957	Thermometer with 1/2 in. MPT Well Fitting	1	0.12	0.26	1
260967	Thermometer with 3/4 in. Solder Well Fitting	1	0.13	0.29	1

Thermometers are recommended in radiant/SIM supply and return pipes to monitor fluid temperatures. REHAU immersion well thermometers have a 2 1/2 in. dial, reading from 50 to 250°F (10 to 120°C).



Combination Temperature/Pressure Gauge

Article No.	Description	Package Quantity	Unit Weight		Minimum Order
			kg	lb	
266417	Combination Temperature/Pressure Gauge	1	0.14	0.30	1

REHAU's combination temperature / pressure gauge has a 2 1/2 in. dial reading from 0 to 100 psi and 30 to 240°F (-1 to 115°C). 1/4 in. NPT back-mounted connection for installation in a pipe tee/fitting. The immersion gauge contacts the water directly to give the highest degree of temperature and pressure accuracy. For use in radiant and SIM applications.



Heat Exchanger

Article No.	Description	Package Quantity	Unit Weight		Minimum Order
			kg	lb	
266477	Heat Exchanger, 3/4 in. MPT Connections (100,000 Btu load)	1	2.0	4.4	1
266487-001	Heat Exchanger, 3/4 in. MPT Connections (150,000 Btu load)	1	2.4	5.3	1

Compact stainless steel heat exchanger for use in radiant and SIM projects. Applications include: radiant systems using a domestic hot water tank as the heat source to separate heating water from drinking water (check local codes), SIM systems using concentration of glycol (antifreeze) different than the rest of the hydronic system, pool heating, etc. CSA and UL approved. Can provide more than 100,000 Btu/hr, depending on temperatures and flow rates, has 1/4 - 20 studs for mounting.



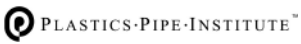
ENERGY TRANSFER PIPING

PRODUCT CATALOG

EFFECTIVE: JANUARY 1, 2014

TABLE OF CONTENTS

1. INSULPEX® Pipe	2.3
2. INSULPEX End Caps	2.5
3. INSULPEX Insulation Kits	2.7
4. RAUVITHERM™ Pipe	2.9
5. RAUVITHERM Wall Seals and End Caps	2.10
6. RAUVITHERM Shroud Kits	2.12
7. EVERLOC® Fittings	2.13
8. RAUPEX® Compression Nut Fittings	2.20
9. RAUTOOL™ PEX Pipe Installation Tools	2.21



For updates to this publication and the most current technical instructions, safety information and manufacturer's recommendations, visit na.rehau.com/resourcecenter

1.

INSULPEX PIPE

INSULPEX pipe consists of O₂ barrier PEXa pipe encased in closed-cell polyurethane (PUR) foam insulation, with a protective low-density polyethylene (PE) outer casing. O₂ barrier pipe is made of high-quality crosslinked polyethylene, manufactured using the high-pressure peroxide method (PEXa). O₂ barrier pipe has a co-extruded oxygen diffusion layer that complies with the requirements of DIN 4726. O₂ barrier pipe is manufactured by REHAU in a plant using a quality management system that is certified to ISO 9001.

Inch-sized carrier pipes (1 to 2 in.) meet the requirements of ASTM F876, F877 and PPI TR-3. The size listed in the description is the nominal diameter according to ASTM F876. Inch-sized pipes are copper tube size SDR 9. Metric pipes (63 mm to 160 mm) meet the requirements of DIN 16892 and 16893. The size listed in the description is the nominal diameter in millimeters, according to DIN 16893. Metric pipes are SDR 11. Approximate dimension listed is the closest equivalent to inch-size pipe. Refer to *INSULPEX Technical Manual* (Art. 855.630) for pipe dimension details, capacities and temperature/pressure ratings.

Note: Minimum coil length for all diameters is 35 ft (10.7 m).



One-pipe System – Coils

Article No.	Description	Maximum Coil Size		Unit Weight		Minimum Order
		ft	m	kg/m	lb/ft	
221227	1 in. INSULPEX O ₂ Barrier Pipe	1220	371	1.2	0.8	35 ft
221237	1 1/4 in. INSULPEX O ₂ Barrier Pipe	1220	371	1.3	0.9	35 ft
221247	1 1/2 in. INSULPEX O ₂ Barrier Pipe	850	256	1.9	1.3	35 ft
221257	2 in. INSULPEX O ₂ Barrier Pipe	850	256	2.2	1.5	35 ft
221317	63 mm INSULPEX O ₂ Barrier Pipe	685	209	2.6	1.8	35 ft
221327	75 mm INSULPEX O ₂ Barrier Pipe	475	145	4.1	2.3	35 ft
221337	90 mm INSULPEX O ₂ Barrier Pipe	290	88	4.6	3.1	35 ft
221347	110 mm INSULPEX O ₂ Barrier Pipe	290	88	6.4	3.8	35 ft
222677-001*	125 mm INSULPEX O ₂ Barrier Pipe	130	40	7.2	4.2	35 ft

* This item is not stocked. Lead times may vary.

One carrier pipe in the size listed, within PUR insulation and a corrugated PE outer casing.

One-pipe System – Straight Lengths

Article No.	Description	Package Quantity	Unit Weight		Minimum Order
			kg	lb	
221317-005	63 mm INSULPEX O ₂ Barrier Pipe 16.4 ft (5 m) Straight Length	1	13.0	28.7	1
221327-005	75 mm INSULPEX O ₂ Barrier Pipe 16.4 ft (5 m) Straight Length	1	17.0	37.4	1
221337-005	90 mm INSULPEX O ₂ Barrier Pipe 16.4 ft (5 m) Straight Length	1	22.8	50.3	1
221347-005	110 mm INSULPEX O ₂ Barrier Pipe 16.4 ft (5 m) Straight Length	1	28.5	62.7	1
222677-005	125 mm INSULPEX O ₂ Barrier Pipe 16.4 ft (5 m) Straight Length	1	36.1	79.6	1

One carrier pipe in the size listed, within PUR insulation and a corrugated PE outer casing.



Two-pipe System – Coils

Article No.	Description	Maximum Coil Size		Unit Weight		Minimum Order
		ft	m	kg/m	lb/ft	
221377-002*	1 + 1 in. INSULPEX O ₂ Barrier Pipe	850	194	2.2	1.5	35 ft
221387-002*	1 1/4 + 1 1/4 in. INSULPEX O ₂ Barrier Pipe	850	194	2.5	1.7	35 ft
221397	1 1/2 + 1 1/2 in. INSULPEX O ₂ Barrier Pipe	290	87	3.8	2.6	35 ft
221407	2 + 2 in. INSULPEX O ₂ Barrier Pipe	130	39	5.0	3.4	35 ft
221427	63 + 63 mm INSULPEX O ₂ Barrier Pipe	130	39	5.3	3.6	35 ft

* This item is not stocked. Lead times may vary.

Two carrier pipes in the size listed, within PUR insulation and a corrugated PE outer casing.

Table of Pipe Diameters

Article No.	Description	Casing Outer Diameter		RAUPEX Inside Diameter	
		in	mm	in	mm
221227	1 in. INSULPEX O ₂ Barrier Pipe	3.6	91	0.88	22.2
221237	1 1/4 in. INSULPEX O ₂ Barrier Pipe	3.6	91	1.07	27.2
221247	1 1/2 in. INSULPEX O ₂ Barrier Pipe	4.4	111	1.26	32.1
221257	2 in. INSULPEX O ₂ Barrier Pipe	4.4	111	1.65	42.0
221317	63 mm INSULPEX O ₂ Barrier Pipe	5.0	126	2.04	51.7
221327	75 mm INSULPEX O ₂ Barrier Pipe	5.6	142	2.43	61.8
221337	90 mm INSULPEX O ₂ Barrier Pipe	6.4	162	2.92	74.1
221347	110 mm INSULPEX O ₂ Barrier Pipe	6.4	162	3.56	90.5
222677-001	125 mm INSULPEX O ₂ Barrier Pipe	7.2	182	4.05	102.8
221377-002	1 + 1 in. INSULPEX O ₂ Barrier Pipe	4.4	111	0.88	22.2
221387-002	1 1/4 + 1 1/4 in. INSULPEX O ₂ Barrier Pipe	4.4	111	1.07	27.2
221397	1 1/2 + 1 1/2 in. INSULPEX O ₂ Barrier Pipe	6.4	162	1.26	32.1
221407	2 + 2 in. INSULPEX O ₂ Barrier Pipe	7.2	182	1.65	42.0
221427	63 + 63 mm INSULPEX O ₂ Barrier Pipe	7.2	182	2.04	51.7

Casing OD is the average outside diameter between the higher and the lower rib profiles.

2.

INSULPEX END CAPS

REHAU's installation accessories are designed to save time and enhance craftsmanship.



Heat Shrink End Cap, One-pipe System

Article No.	Description	Package Quantity	Unit Weight		Minimum Order
			kg	lb	
240263	1 in. INSULPEX Heat Shrink End Cap	1	0.10	0.22	1
240273	1 1/4 in. INSULPEX Heat Shrink End Cap	1	0.11	0.24	1
240273	1 1/2 in. INSULPEX Heat Shrink End Cap	1	0.11	0.24	1
240323	2 in. INSULPEX Heat Shrink End Cap	1	0.12	0.26	1
240323	63 mm INSULPEX Heat Shrink End Cap	1	0.15	0.33	1
240323	75 mm INSULPEX Heat Shrink End Cap	1	0.12	0.26	1
240283	90 mm INSULPEX Heat Shrink End Cap	1	0.14	0.31	1
240293	110/125 mm INSULPEX Heat Shrink End Cap	1	0.20	0.43	1



Heat Shrink End Cap, Two-pipe System

Article No.	Description	Package Quantity	Unit Weight		Minimum Order
			kg	lb	
240333	1 + 1 in. INSULPEX Heat Shrink End Cap	1	0.11	0.24	1
240333	1 1/4 + 1 1/4 in. INSULPEX Heat Shrink End Cap	1	0.15	0.34	1
240343	1 1/2 + 1 1/2 in. INSULPEX Heat Shrink End Cap	1	0.15	0.34	1
239061	2 + 2 in./63 + 63 mm INSULPEX End Cap*	1	0.21	0.45	1

* Rubber cap, not shrinking.

Heat shrink end caps provide a watertight seal around the end of INSULPEX, sealing onto RAUPEX pipe and the PE casing to protect against water infiltration in buried applications. Heat shrink end caps include sandpaper for "roughing" surfaces of pipes. Follow installation instructions in the INSULPEX Installation Guide (855.631).



Slip-on End Cap, One-pipe System

Article No.	Description	Package Quantity	Unit Weight		Minimum Order
			kg	lb	
246989+	1 in. INSULPEX Slip-on End Cap	1	0.02	0.05	1
246989+	1 1/4 in. INSULPEX Slip-on End Cap	1	0.11	0.24	1
242604	1 1/2 in. INSULPEX Slip-on End Cap	1	0.04	0.08	1
242604	2 in. INSULPEX Slip-on End Cap	1	0.04	0.08	1
242624	63 mm INSULPEX Slip-on End Cap	1	0.12	0.26	1
242644	75 mm INSULPEX Slip-on End Cap	1	0.04	0.09	1
242664	90 mm INSULPEX Slip-on End Cap	1	0.05	0.11	1
242674	110 mm INSULPEX Slip-on End Cap	1	0.05	0.10	1
288374-001+	125 mm INSULPEX Slip-on End Cap	1	0.50	1.10	1

+ This item is not stocked. Lead times may vary.



Slip-on End Cap, Two-pipe System

Article No.	Description	Package Quantity	Unit Weight		Minimum Order
			kg	lb	
242724	1 + 1 in. INSULPEX Slip-on End Cap	1	0.04	0.08	1
242724	1 1/4 + 1 1/4 in. INSULPEX Slip-on End Cap	1	0.04	0.08	1
242784	1 1/2 + 1 1/2 in. INSULPEX Slip-on End Cap	1	0.05	0.12	1
239091	2 + 2 in./ 63 + 63 mm INSULPEX Slip-on End Cap	1	0.07	0.16	1

Slip-on end caps improve cosmetic appearance at ends of INSULPEX pipes inside a building or chamber. Slip-on end caps are not watertight, and are not certified for underground burial.



Wall Sealing Rings

Article No.	Description	Package Quantity	Unit Weight		Minimum Order
			kg	lb	
240363	91 mm ID Wall Sealing Ring (5.25 in. OD)	1	0.45	1.0	1
240373	111 mm ID Wall Sealing Ring (6.00 in. OD)	1	0.30	0.7	1
240383	126 mm ID Wall Sealing Ring (6.60 in. OD)	1	0.50	1.1	1
240393	142 mm ID Wall Sealing Ring (7.20 in. OD)	1	0.60	1.32	1
240403	162 mm ID Wall Sealing Ring (8.00 in. OD)	1	0.35	0.77	1
239101	182 mm ID Wall Sealing Ring (8.60 in. OD)	1	0.50	1.10	1

Neoprene wall sealing rings fit tightly over the INSULPEX casing, and are meant to be located at wall penetrations. Barbed design prevents pull out. Use the sizing chart in the INSULPEX Technical Manual (855.630) or from the pipe diameters chart located on page 2, to determine the correct wall sealing ring.

3.

INSULPEX INSULATION KITS

Universal tee insulation kits are molded from polyethylene, with staggered ends that can be cut for use with various pipe diameters. Insulation is NOT included with these kits. Follow directions included with kit. Small universal insulation kit is for pipes with casing OD up to 126 mm. Large Universal Tee Insulation Kit is for pipes with casing OD up to 182 mm.



Universal Straight Coupling Insulation Kits – Generation I

Article No.	Description	Package Quantity	Unit Weight		Minimum Order
			kg	lb	
243828	Small Universal Coupling Insulation Kit, for up to 142 mm OD INSULPEX pipe	1	3.5	7.7	1
243838	Large Universal Coupling Insulation Kit, for up to 182 mm OD INSULPEX pipe	1	1.7	3.8	1

Kits include two heat shrink sleeves for sealing around INSULPEX pipes.



Small Universal Straight Coupling Insulation Kit – Generation II

Article No.	Description	Package Quantity	Unit Weight		Minimum Order
			kg	lb	
351067-001	Small Universal Straight Coupling Insulation Kit, for up to 126 mm OD INSULPEX pipe	1	2.1	4.6	1

Order small diameter sealing rings separately per the outer diameter of the INSULPEX pipe.



Small Universal Elbow Insulation Kits – Generation II

Article No.	Description	Package Quantity	Unit Weight		Minimum Order
			kg	lb	
351068-001	Small Universal Elbow Coupling Insulation Kit, for up to 126 mm OD INSULPEX pipe	1	2.1	4.6	1

Order small diameter sealing rings separately per the outer diameter of the INSULPEX pipe.



Small Universal Tee Insulation Kit – Generation II

Article No.	Description	Package Quantity	Unit Weight		Minimum Order
			kg	lb	
297932-001	Small Universal Tee Insulation Kit, for up to 126 mm OD INSULPEX pipe	1	1.90	4.2	1
176282-050	Small Tee Shell Kit Plug (111 mm SR)	1	0.10	0.2	1

Order small diameter sealing rings separately per the outer diameter of the INSULPEX pipe.



Small INSULPEX Sealing Rings, Small Diameter – Generation II

Article No.	Description	Package Quantity	Unit Weight		Minimum Order
			kg	lb	
297924-001	Small Insulation Kit Sealing Ring 91 mm	1	0.30	0.7	1
297927-001	Small Insulation Kit Sealing Ring 111 mm	1	0.20	0.4	1
297930-001	Small Insulation Kit Sealing Ring 126 mm	1	0.11	0.2	1

Order small diameter sealing rings separately per the outer diameter of the INSULPEX pipe.



Large Universal Straight Coupling Insulation Kit – Generation II

Article No.	Description	Package Quantity	Unit Weight		Minimum Order
			kg	lb	
352038-001	Large Universal Straight Coupling Insulation Kit, for up to 182 mm OD INSULPEX pipe	1	5.2	11.5	1

Order large diameter sealing rings separately per the outer diameter of the INSULPEX pipe.



Large Universal Elbow Insulation Kits – Generation II

Article No.	Description	Package Quantity	Unit Weight		Minimum Order
			kg	lb	
352039-001	Large Universal Elbow Coupling Insulation Kit, for up to 182 mm OD INSULPEX pipe	1	4.4	9.7	1

Order large diameter sealing rings separately per the outer diameter of the INSULPEX pipe.



Large Universal Tee Insulation Kit – Generation II

Article No.	Description	Package Quantity	Unit Weight		Minimum Order
			kg	lb	
351054-001	Large Universal Tee Insulation Kit, for up to 182 mm OD INSULPEX pipe	1	3.60	7.9	1
176302-050	Large Tee Shell Kit Plug (162 mm SR)	1	0.27	0.6	1

Order large diameter sealing rings separately per the outer diameter of the INSULPEX pipe.



Large INSULPEX Sealing Rings, Large Diameter – Generation II

Article No.	Description	Package Quantity	Unit Weight		Minimum Order
			kg	lb	
351056-001	Large Insulation Kit Sealing Ring 91 mm	1	1.08	2.38	1
351057-001	Large Insulation Kit Sealing Ring 111 mm	1	1.03	2.26	1
351058-001	Large Insulation Kit Sealing Ring 126 mm	1	0.95	2.09	1
351059-001	Large Insulation Kit Sealing Ring 142 mm	1	0.90	1.98	1
351061-001	Large Insulation Kit Sealing Ring 162 mm	1	0.85	1.88	1
351062-001	Large Insulation Kit Sealing Ring 182 mm	1	0.68	1.49	1

4.

RAUVITHERM PIPE

RAUVITHERM district heating pipe consists of SDR 11 carrier pipes (PEXa) with a primer and oxygen diffusion barrier (EVOH), insulation made from crosslinked, closed-cell PE foam sheet and a PE foamed corrugated outer jacket to increase the ring stiffness and flexibility. The RAUVITHERM SDR 11 PEXa pipes are predominately used in heating and cooling circulation systems. For this reason, they have an additional oxygen diffusion barrier made of EVOH in accordance with DIN 4726. The color of these PEXa pipes is orange

Note: Minimum coil length for all diameters is 35 ft (10.7 m).



RAUVITHERM One-Pipe System SDR 11 - Coils

Article No.	Description	Maximum Coil Size		Unit Weight		Minimum Order
		ft	m	kg/m	lb/ft	
100285-001	25 mm RAUVITHERM O ₂ Barrier Pipe (120)	656	200	1.0	0.7	35 ft
100289-001	32 mm RAUVITHERM O ₂ Barrier Pipe (120)	656	200	1.1	0.7	35 ft
100291-001	40 mm RAUVITHERM O ₂ Barrier Pipe (120)	656	200	1.2	0.8	35 ft
100293-001	50 mm RAUVITHERM O ₂ Barrier Pipe (150)	393	120	1.8	1.2	35 ft
100294-001	63 mm RAUVITHERM O ₂ Barrier Pipe (150)	393	120	2.1	1.4	35 ft
100295-001	75 mm RAUVITHERM O ₂ Barrier Pipe (175)	226	69	3.0	2.0	35 ft
100296-001	90 mm RAUVITHERM O ₂ Barrier Pipe (175)	206	63	3.6	2.4	35 ft
100297-001	110 mm RAUVITHERM O ₂ Barrier Pipe (190)	203	62	4.6	3.1	35 ft
100298-001	125 mm RAUVITHERM O ₂ Barrier Pipe (210)	147	45	6.2	4.1	35 ft

One carrier pipe in the size listed, within crosslinked PE insulation and a corrugated PE outer casing.

RAUVITHERM Two-Pipe System SDR 11 - Coils

Article No.	Description	Maximum Coil Size		Unit Weight		Minimum Order
		ft	m	kg/m	lb/ft	
100299-001	25 + 25 mm RAUVITHERM O ₂ Barrier Pipe (150)	393	120	1.7	1.1	35 ft
100301-001	32 + 32 mm RAUVITHERM O ₂ Barrier Pipe (150)	393	120	1.9	1.3	35 ft
100303-001	40 + 40 mm RAUVITHERM O ₂ Barrier Pipe (150)	393	120	2.2	1.5	35 ft
100305-001	50 + 50 mm RAUVITHERM O ₂ Barrier Pipe (175)	206	63	3.3	2.2	35 ft
100306-001	63 + 63 mm RAUVITHERM O ₂ Barrier Pipe (210)	147	45	4.8	3.2	35 ft

Two carrier pipes in the size listed, within crosslinked PE insulation and a corrugated PE outer casing.

Table of Pipe Diameters

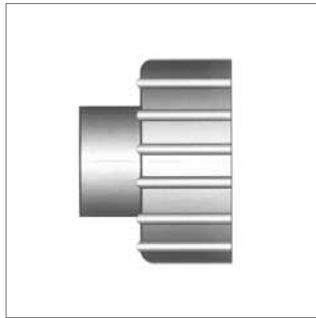
Article No.	Description	Casing Outer Diameter		RAUPEX Inside Diameter	
		in	mm	in	mm
100285-001	25 mm RAUVITHERM O ₂ Barrier Pipe (120)	4.4	113	0.80	20.4
100289-001	32 mm RAUVITHERM O ₂ Barrier Pipe (120)	4.5	114	1.03	26.2
100291-001	40 mm RAUVITHERM O ₂ Barrier Pipe (120)	4.6	116	1.28	32.6
100293-001	50 mm RAUVITHERM O ₂ Barrier Pipe (150)	5.6	144	1.60	40.8
100294-001	63 mm RAUVITHERM O ₂ Barrier Pipe (150)	5.7	145	2.04	51.7
100295-001	75 mm RAUVITHERM O ₂ Barrier Pipe (175)	6.7	170	2.43	61.8
100296-001	90 mm RAUVITHERM O ₂ Barrier Pipe (175)	6.9	175	2.92	74.1
100297-001	110 mm RAUVITHERM O ₂ Barrier Pipe (190)	7.4	187	3.56	90.5
100298-001	125 mm RAUVITHERM O ₂ Barrier Pipe (210)	8.2	209	4.00	102.0
100299-001	25 + 25 mm RAUVITHERM O ₂ Barrier Pipe (150)	5.6	144	0.80	20.4
100301-001	32 + 32 mm RAUVITHERM O ₂ Barrier Pipe (150)	5.7	146	1.03	26.2
100303-001	40 + 40 mm RAUVITHERM O ₂ Barrier Pipe (150)	5.8	148	1.28	32.6
100305-001	50 + 50 mm RAUVITHERM O ₂ Barrier Pipe (175)	6.9	177	1.60	40.8
100306-001	63 + 63 mm RAUVITHERM O ₂ Barrier Pipe (210)	8.2	208	2.04	51.7

5.

RAUVITHERM WALL SEALS AND END CAPS

RAUVITHERM Heat-shrink End Cap

Suitable for protecting the foamed pipe ends against moisture, comprising shrinkable PEX coated with adhesive, including temperature measuring strips and abrasive strips.



One-pipe System

Article No.	Description	Package Quantity	Unit Weight kg	Minimum Order
352506-001	25/120 mm Heat Shrink End Cap	1	0.11	1
352506-001	32/120 mm Heat Shrink End Cap	1	0.11	1
352506-001	40/120 mm Heat Shrink End Cap	1	0.11	1
352504-001	50/150 mm Heat Shrink End Cap	1	0.16	1
352517-001	63/150 mm Heat Shrink End Cap	1	0.18	1
352517-001	75/175 mm Heat Shrink End Cap	1	0.18	1
352517-001	90/175 mm Heat Shrink End Cap	1	0.18	1
352518-001	110/190 mm Heat Shrink End Cap	1	0.24	1
352518-001	125/210 mm Heat Shrink End Cap	1	0.24	1

Two-pipe System

Article No.	Description	Package Quantity	Unit Weight kg	Minimum Order
352509-001	25+25/150 mm Heat Shrink End Cap	1	0.22	1
352509-001	32+32/150 mm Heat Shrink End Cap	1	0.22	1
352509-001	40+40/150 mm Heat Shrink End Cap	1	0.22	1
352509-001	50+50/175 mm Heat Shrink End Cap	1	0.22	1
352514-001	63+63/210 mm Heat Shrink End Cap	1	0.22	1

RAUVITHERM Dry Rubber End Caps



One-pipe System

Article No.	Description	Package Quantity	Unit Weight kg	Minimum Order
320012-001	25/32/40 mm One-pipe Dry Rubber End Caps	1	0.30	1
320021-001	50/63 mm One-pipe Dry Rubber End Caps	1	0.30	1
320031-001	75/90 mm One-pipe Dry Rubber End Caps	1	0.30	1
320041-001	110 mm One-pipe Dry Rubber End Caps	1	0.30	1

Two-pipe System

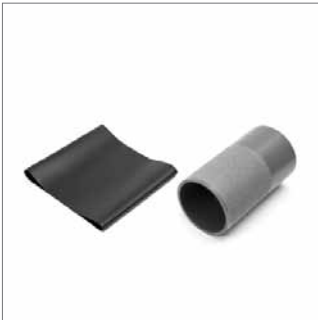
Article No.	Description	Package Quantity	Unit Weight kg	Minimum Order
320007-001	25/32/40 mm Two-pipe Dry Rubber End Caps	1	0.30	1
320071-001	50 mm Two-pipe Dry Rubber End Caps	1	0.30	1
320061-001	63 mm Two-pipe Dry Rubber End Caps	1	0.30	1



REHAU Wall Sealing Ring

- Watertight up to 5 m water column
- Suitable as a building inlet through masonry, in conjunction with expansive mortar and sealing tape.
- It comprises of a profiled neoprene ring to fit.

Article No.	Description	Package Quantity	Unit Weight kg	Minimum Order
240373-001	Wall Sealing Ring (25/32 mm One-pipe)	1	0.50	1
240383-001	Wall Sealing Ring (40 mm One-pipe)	1	0.50	1
240393-001	Wall Sealing Ring (50/63 mm One-pipe, 25/32 mm Two-pipe)	1	0.60	1
240403-001	Wall Sealing Ring (75 mm One-pipe, 40 mm Two-pipe)	1	0.70	1
239101-001	Wall Sealing Ring (90/110 mm One-pipe, 50 mm Two-pipe)	1	0.50	1
353278-001	Wall Sealing Ring (63 mm Two-pipe)	1	0.50	1



Wall Penetrations for Pressured Water (with rough outer surface)

Consists of PVC wall sleeve and heat shrink sleeve. Watertight to 2 m water column. For direct installation with expansive mortar or concreted in.

Article No.	Description	Package Quantity	Unit Weight kg	Minimum Order
304336-001	Small Wall Penetration Sleeve (rough) (25/32/40 mm One-pipe)	1	2.57	1
304335-001	Medium Wall Penetration Sleeve (rough) (50/63/75/90 mm One-pipe, 25/32/40/50 mm Two-pipe)	1	4.70	1
304334-001	Large Wall Penetration Sleeve (rough) (110 mm One-pipe, 63 mm Two-pipe)	1	6.72	1



Wall Penetrations for Pressured Water (including compact sealing ring)

Consists of PVC wall sleeve, heat shrink sleeve and compact sealing ring. Watertight to 2 m water column. For direct installation in a tapping drill hole.

Article No.	Description	Package Quantity	Unit Weight kg	Minimum Order
304333-001	Small Wall Penetration Sleeve (smooth) (25/32/40 mm One-pipe)	1	5.36	1
304328-001	Medium Wall Penetration Sleeve (smooth) (50/63/75/90 mm One-pipe, 25/32/40/50 mm Two-Pipe)	1	7.95	1
304307-001	Large Wall Penetration Sleeve (smooth) (110 mm One-pipe, 63 mm Two-pipe)	1	11.32	1

6.

RAUVITHERM SHROUD KITS



RAUVITHERM T-Shroud Set for Tee Pieces

Article No.	T-Shroud	Outer Jacket Diameter (mm)			L (mm)	H (mm)	Weight (kg)
		1	2	3			
354526-002	Small	120 to 150	120 to 150	120 to 150	775	565	4.5
352508-002	Large	120 to 210	120 to 210	120 to 210	790	644	4.7

Complete kit includes:

- Shroud, made of PE
- Heat shrink sleeves
- Ventilation plugs
- GRP polymer screws (T-shroud large)
- Sealing tape
- Installation instructions

To fit the respective RAUVITHERM pipe outer jacket diameter to the shroud, please use the stepped end sections.



RAUVITHERM I-Shroud Set for Connections

Article No.	T-Shroud	Outer Jacket Diameter (mm)		L (mm)	Weight (kg)
		1	2		
354527-002	Small	120 to 150	120 to 150	640	1.8
352507-002	Large	120 to 210	120 to 210	670	2.5

Complete kit includes:

- Shroud, made of PE
- Heat shrink sleeves
- Ventilation plugs
- Installation instructions

To fit the respective RAUVITHERM pipe outer jacket diameter to the shroud, please use the stepped end sections.

7.

EVERLOC FITTINGS

The EVERLOC compression-sleeve fitting system is a fast and reliable method of joining RAUPEX pipes as well as connecting RAUPEX to other pipes that are approved for use with EVERLOC with the use of an appropriate transition fitting. EVERLOC fittings and sleeves create dependable connections. These connections can be buried when protected using an appropriate insulation kit. Installation is easy with INSULPEX Installation Tools.

Inch size EVERLOC fittings meet the performance requirements of ASTM F877 and ASTM F2080. EVERLOC fittings are not certified for potable water applications.



EVERLOC Sleeves

Article No.	Description	Package Quantity		Unit Weight		Minimum Order
		Box	Carton	kg	lb	
260877-101	1 in. EVERLOC Sleeve	40	240	0.07	0.16	1 box
235507-101	1 1/4 in. EVERLOC Sleeve	25	150	0.10	0.26	1 box
235707-101	1 1/2 in. EVERLOC Sleeve	20	120	0.13	0.29	1 box
235907-101	2 in. EVERLOC Sleeve	10	60	0.25	0.54	1 box
139572-001	25 mm EVERLOC Sleeve	50	50	0.04	0.09	1 box
139492-001	32 mm EVERLOC Sleeve	50	50	0.08	0.18	1 box
138683-001	40 mm EVERLOC Sleeve	25	25	0.13	0.29	1 box
138693-001	50 mm EVERLOC Sleeve	25	25	0.26	0.57	1 box
138703	63 mm EVERLOC Sleeve	1	1	0.39	0.85	1 box
267671	75 mm EVERLOC Sleeve	1	1	0.50	1.10	1 box
267681	90 mm EVERLOC Sleeve	1	1	0.52	1.15	1 box
267691	110 mm EVERLOC Sleeve	1	1	1.09	2.40	1 box
235229-001	125 mm EVERLOC Sleeve	1	1	1.60	3.53	1 box

Tapered end installs towards EVERLOC fitting. Sizes 1 in. to 63 mm are brass. Sizes 75 to 160 mm are bronze.



EVERLOC Couplings

Article No.	Description	Package Quantity		Unit Weight		Minimum Order
		Box	Carton	kg	lb	
260427-101	1 x 1 in. EVERLOC Coupling	20	120	0.14	0.30	1 box
235527-101	1 1/4 x 1 1/4 in. EVERLOC Coupling	5	30	0.23	0.50	1 box
235727-101	1 1/2 x 1 1/2 in. EVERLOC Coupling	5	30	0.35	0.76	1 box
235927-101	2 x 2 in. EVERLOC Coupling	3	18	0.60	1.32	1 box
139292-001	25 x 25 mm EVERLOC Coupling	10	50	0.09	0.20	1 box
139302-001	32 x 32 mm EVERLOC Coupling	3	30	0.18	0.40	1 box
138823-001	40 x 40 mm EVERLOC Coupling	5	25	0.38	0.84	1 box
138833-001	50 x 50 mm EVERLOC Coupling	1	1	0.57	1.26	1 box
138843	63 x 63 mm EVERLOC Coupling	1	1	1.00	2.21	1 box
267611	75 x 75 mm EVERLOC Coupling	1	1	1.68	3.70	1 box
267621	90 x 90 mm EVERLOC Coupling	1	1	2.46	5.42	1 box
267631	110 x 110 mm EVERLOC Coupling	1	1	3.12	6.88	1 box
235219-001	125 x 125 mm EVERLOC Coupling	1	1	4.50	9.92	1 box

EVERLOC couplings connect to RAUPEX pipe using REHAU installation tools. Sizes 1 in. to 63 mm are brass. Sizes 75 to 160 mm are bronze. Order EVERLOC sleeves separately. Not certified for potable water.



EVERLOC Reducer Couplings

Article No.	Description	Package Quantity		Unit Weight		Minimum Order
		Box	Carton	kg	lb	
235517-101	1 1/4 x 1 in. EVERLOC Coupling	10	60	0.20	0.43	1 box
235717-101	1 1/2 x 1 1/4 in. EVERLOC Coupling	5	30	0.30	0.66	1 box
235737-101	1 1/2 x 1 in. EVERLOC Coupling	5	30	0.27	0.61	1 box
235917-101	2 x 1 1/2 in. EVERLOC Coupling	3	18	0.50	1.11	1 box
235937-101	2 x 1 1/4 in. EVERLOC Coupling	3	18	0.60	1.31	1 box
235947-101	2 x 1 in. EVERLOC Coupling	3	18	0.44	0.97	1 box
139342-001+	32 x 25 mm EVERLOC Coupling	3	30	0.14	0.31	1 box
138853-001+	40 x 32 mm EVERLOC Coupling	5	25	0.28	0.62	1 box
138863-001+	50 x 40 mm EVERLOC Coupling	1	1	0.48	1.06	1 box
138873-001+	63 x 50 mm EVERLOC Coupling	1	1	0.76	1.67	1 box
222217+	63 mm x 2 in. EVERLOC Coupling	1	1	1.00	2.20	1 box
267641+	75 x 63 mm EVERLOC Coupling	1	1	1.40	3.10	1 box
267651+	90 x 75 mm EVERLOC Coupling	1	1	2.70	4.56	1 box
267661+	110 x 90 mm EVERLOC Coupling	1	1	3.10	6.80	1 box

+ This item is not stocked. Lead times may vary.

EVERLOC couplings connect to RAUPEX pipe using REHAU installation tools. Sizes 1 in. to 63 mm are brass. Sizes 75 to 160 mm are bronze. Order EVERLOC sleeves separately.



EVERLOC Dual Adapters

Article No.	Description	Package Quantity		Unit Weight		Minimum Order
		Box	Carton	kg	lb	
260417-101	1 in. EVERLOC x 1 in. C Male (Street) or 3/4 in. C Female (Sweat)	25	150	0.14	0.30	1 box
260947-101	1 in. EVERLOC x 1 1/4 in. C Male (Street) or 1 in. C Female (Sweat)	20	120	0.16	0.36	1 box
235567-101	1 1/4 in. EVERLOC x 1 1/4 in. C Male (Street) or 1 in. C Female (Sweat)	5	30	0.22	0.49	1 box
235577-101	1 1/4 in. EVERLOC x 1 1/2 in. C Male (Street) or 1 1/4 in. C Female (Sweat)	5	30	0.25	0.55	1 box
235767-101	1 1/2 in. EVERLOC x 1 1/2 in. C Male (Street) or 1 1/4 in. C Female (Sweat)	5	30	0.32	0.71	1 box
235777-101	1 1/2 in. EVERLOC x 2 in. C Male (Street) or 1 1/2 in. C Female (Sweat)	5	30	.051	1.12	1 box
235967-101	2 in. EVERLOC x 2 in. C Male (Street) or 1 1/2 in. C Female (Sweat)	5	30	0.64	1.42	1 box
235977-101	2 in. EVERLOC x 2 1/2 in. C Male (Street) or 2 in. C Female (Sweat)	3	18	0.80	1.76	1 box

Adapter fittings connect to RAUPEX pipe. Sizes 1 in. to 63 mm are brass. All of these adapters can be used as male (street) or female (sweat) fittings. Make solder connection before connecting to RAUPEX pipe. Fittings install using REHAU installation tools. Order EVERLOC sleeves separately.



EVERLOC MPT Adapters

Article No.	Description	Package Quantity		Unit Weight		Minimum Order
		Box	Carton	kg	lb	
260437-101	1 in. EVERLOC x 1 in. MPT or 3/4 in. C Female	15	90	0.19	0.43	1 box
730053-001	1 1/4 in. EVERLOC x 1 in. MPT or 3/4 in. C Female	5	30	0.19	0.41	1 box
235557-101	1 1/4 in. EVERLOC x 1 1/4 in. MPT or 1 in. C Female	5	30	0.33	0.73	1 box
235757-101	1 1/2 in. EVERLOC x 1 1/2 in. MPT or 1 1/4 in. C Female	5	30	0.51	1.11	1 box
235957-101	2 in. EVERLOC x 2 in. MPT or 1 1/2 in. C Female	3	18	0.89	1.96	1 box
298246-001	25 mm EVERLOC x 1 in. MPT or 3/4 in. C Female	15	90	0.18	0.40	1 box
235117-001	32 mm EVERLOC x 1 1/4 in. MPT or 1 in. C Female	15	90	0.34	0.75	1 box
235127-001	40 mm EVERLOC x 1 1/2 in. MPT or 1 1/4 C Female	1	1	0.50	1.10	1 box
235137-001	50 mm EVERLOC x 2 in. MPT or 1 1/2 C Female	1	1	0.84	1.85	1 box
235157	63 mm EVERLOC x 2 1/2 in. MPT or 2 in. C Female	1	1	1.51	3.33	1 box
235147	63 mm EVERLOC x 2 in. MPT Adapter	1	1	1.50	3.30	1 box
235167	75 mm EVERLOC x 3 in. MPT Adapter	1	1	2.33	5.14	1 box
235177	90 mm EVERLOC x 3 in. MPT Adapter	1	1	2.10	4.62	1 box
235187	110 mm EVERLOC x 4 in. MPT Adapter	1	1	3.69	8.14	1 box

Adapter fittings connect to RAUPEX pipe. Make threaded or solder connections before connecting to RAUPEX pipe. Order EVERLOC sleeves separately. Sizes up to 63 mm are brass. Sizes 75 to 110 mm are bronze. Make threaded connection before connecting to RAUPEX pipe. Fittings are installed using REHAU installation tools. Order EVERLOC sleeves separately.



EVERLOC Plugs

Article No.	Description	Package Quantity		Unit Weight		Minimum Order
		Box	Carton	kg	lb	
260497-101	1 in. EVERLOC Plug	30	180	0.09	0.20	1 box
235267-101	1 1/4 EVERLOC Plug	20	120	0.10	0.22	1 box

Order EVERLOC sleeves separately.



EVERLOC 90° Elbows

Article No.	Description	Package Quantity		Unit Weight		Minimum Order
		Box	Carton	kg	lb	
260717-101	1 x 1 in. EVERLOC Elbow	10	60	0.25	0.56	1 box
235597-101	1 1/4 x 1 1/4 in. EVERLOC Elbow	8	48	0.37	0.82	1 box
235797-101	1 1/2 x 1 1/2 in. EVERLOC Elbow	2	12	0.64	1.47	1 box
235997-101	2 x 2 in. EVERLOC Elbow	2	12	1.08	2.38	1 box
139522-001	25 x 25 mm EVERLOC Elbow	10	50	0.16	0.35	1 box
139532-001	32 x 32 mm EVERLOC Elbow	3	30	0.29	0.64	1 box
138923-001	40 x 40 mm EVERLOC Elbow	1	1	0.52	1.15	1 box
138933-001	50 x 50 mm EVERLOC Elbow	1	1	0.82	1.81	1 box
138943	63 x 63 mm EVERLOC Elbow	1	1	1.67	3.69	1 box
267751	75 x 75 mm EVERLOC Elbow	1	1	2.44	5.38	1 box
267761	90 x 90 mm EVERLOC Elbow	1	1	3.30	7.28	1 box
267771	110 x 110 mm EVERLOC Elbow	1	1	5.32	11.7	1 box

EVERLOC elbows connect to RAUPEX pipe using REHAU installation tools. Sizes up to 63 mm are brass. Sizes 75 to 110 mm are bronze. Order EVERLOC sleeves separately.



EVERLOC Straight Tees

Article No.	Description	Package Quantity		Unit Weight		Minimum Order
		Box	Carton	kg	lb	
260977-101	1 x 1 x 1 in. EVERLOC Tee	8	48	0.34	0.77	1 box
235607-101	1 1/4 x 1 1/4 x 1 1/4 in. EVERLOC Tee	5	30	0.51	1.12	1 box
235807-101	1 1/2 x 1 1/2 x 1 1/2 in. EVERLOC Tee	2	12	0.87	1.93	1 box
236007-101	2 x 2 x 2 in. EVERLOC Tee	1	6	1.39	3.08	1 box
139122-001	25 x 25 x 25 mm EVERLOC Tee	10	50	0.20	0.44	1 box
139132-001	32 x 32 x 32 mm EVERLOC Tee	3	30	0.40	0.88	1 box
138773-001	40 x 40 x 40 mm EVERLOC Tee	1	1	0.77	1.70	1 box
244372-001	50 x 50 x 50 mm EVERLOC Tee	1	1	0.87	1.92	1 box
244382	63 x 63 x 63 mm EVERLOC Tee	1	1	2.14	4.72	1 box
221946-001	75 x 75 x 75 mm EVERLOC Tee	1	1	3.47	7.65	1 box
221948-001	90 x 90 x 90 mm EVERLOC Tee	1	1	4.00	8.00	1 box
221953-001	110 x 110 x 110 mm EVERLOC Tee	1	1	7.09	15.6	1 box

These fittings connect to RAUPEX pipe using REHAU installation tools. Order EVERLOC sleeves separately.



EVERLOC Branch Reducing Tees

Article No.	Description	Package Quantity		Unit Weight		Minimum Order
		Box	Carton	kg	lb	
235617-101	1 1/4 x 1 1/4 x 1 in. EVERLOC Tee	5	30	0.45	1.00	1 box
235627-101	1 1/4 x 1 1/4 x 3/4 in. EVERLOC Tee	5	30	0.40	0.89	1 box
235817-101	1 1/2 x 1 1/2 x 1 1/4 in. EVERLOC Tee	2	12	0.65	1.43	1 box
235827-101	1 1/2 x 1 1/2 x 1 in. EVERLOC Tee	2	12	0.69	1.53	1 box
236017-101	2 x 2 x 1 1/2 in. EVERLOC Tee	1	6	1.14	2.52	1 box
236027-101	2 x 2 x 1 1/4 in. EVERLOC Tee	1	6	0.80	1.76	1 box
236037-101	2 x 2 x 1 in. EVERLOC Tee	1	6	1.08	2.38	1 box
139172-001+	32 x 32 x 25 mm EVERLOC Tee	3	30	0.33	0.73	1 box
138783-001+	40 x 40 x 25 mm EVERLOC Tee	1	1	0.67	1.48	1 box
138793-001+	40 x 40 x 32 mm EVERLOC Tee	1	1	0.70	1.54	1 box
244412-001+	50 x 50 x 25 mm EVERLOC Tee	1	1	0.83	1.83	1 box
138813-001+	50 x 50 x 32 mm EVERLOC Tee	1	1	0.82	1.81	1 box
244422-001+	50 x 50 x 40 mm EVERLOC Tee	1	1	0.90	1.98	1 box
244442-001+	63 x 63 x 25 mm EVERLOC Tee	1	1	1.20	2.65	1 box
244452-001+	63 x 63 x 32 mm EVERLOC Tee	1	1	1.20	2.65	1 box
244462-001+	63 x 63 x 40 mm EVERLOC Tee	1	1	1.70	3.75	1 box
244472-001+	63 x 63 x 50 mm EVERLOC Tee	1	1	1.90	4.19	1 box
267781-001+	63 x 63 x 75 mm EVERLOC Tee	1	1	2.70	5.60	1 box
221934-001+	75 x 75 x 25 mm EVERLOC Tee	1	1	2.10	4.63	1 box
267791-001+	75 x 75 x 32 mm EVERLOC Tee	1	1	2.10	4.63	1 box
221936-001+	75 x 75 x 40 mm EVERLOC Tee	1	1	2.25	4.96	1 box
231326-001+	75 x 75 x 50 mm EVERLOC Tee	1	1	2.50	5.51	1 box
221944-001+	75 x 75 x 63 mm EVERLOC Tee	1	1	2.93	6.47	1 box
231336-001+	90 x 90 x 32 mm EVERLOC Tee	1	1	3.00	6.61	1 box
221945-001 +	90 x 90 x 40 mm EVERLOC Tee	1	1	3.20	7.05	1 box
231346+	90 x 90 x 63 mm EVERLOC Tee	1	1	3.61	7.96	1 box
231356-001+	110 x 110 x 32 mm EVERLOC Tee	1	1	4.30	9.48	1 box
221950-001+	110 x 110 x 50 mm EVERLOC Tee	1	1	5.30	11.68	1 box
231366+	110 x 110 x 63 mm EVERLOC Tee	1	1	5.40	11.9	1 box

+ This item is not stocked. Lead times may vary.

These brass fittings connect to RAUPEX pipe using INSULPEX installation tools. Order EVERLOC sleeves separately.



EVERLOC Run Reducing Tees

Article No.	Description	Package Quantity		Unit Weight		Minimum Order
		Box	Carton	kg	lb	
235637-101	1 1/4 x 1 x 1 1/4 in. EVERLOC Tee	5	30	0.38	0.84	1 box
235837-101	1 1/2 x 1 1/4 x 1 1/2 in. EVERLOC Tee	2	12	0.79	1.76	1 box
235847-101	1 1/2 x 1 x 1 1/2 in. EVERLOC Tee	2	12	0.76	1.68	1 box
236057-101	2 x 1 1/4 x 2 in. EVERLOC Tee	1	6	0.79	1.76	1 box
139192-001+	32 x 25 x 32 mm EVERLOC Tee	3	30	0.35	0.77	1 box

+ This item is not stocked. Lead times may vary.

These fittings connect to RAUPEX pipe using REHAU installation tools. Order EVERLOC sleeves separately.

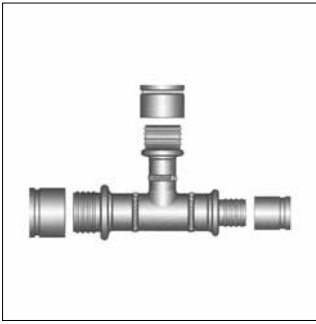


EVERLOC Branch and Run Reducing Tees

Article No.	Description	Package Quantity		Unit Weight		Minimum Order
		Box	Carton	kg	lb	
235657-101	1 1/4 x 1 x 1 in. EVERLOC Tee	5	30	0.42	0.93	1 box
235857-101	1 1/2 x 1 1/4 x 1 1/4 in. EVERLOC Tee	2	12	0.69	1.51	1 box
235867-101	1 1/2 x 1 1/4 x 1 in. EVERLOC Tee	2	12	0.57	1.27	1 box
235877-101	1 1/2 x 1 x 1 in. EVERLOC Tee	2	12	0.59	1.30	1 box
236067-101	2 x 1 1/2 x 1 1/2 in. EVERLOC Tee	1	6	1.16	2.56	1 box
236087-101	2 x 1 1/2 x 1 in. EVERLOC Tee	1	6	0.96	2.11	1 box
139242-001+	32 x 25 x 25 mm EVERLOC Tee	3	30	0.28	0.62	1 box
139163-001+	40 x 32 x 32 mm EVERLOC Tee	1	1	0.58	1.28	1 box
221925-001+	50 x 40 x 25 mm EVERLOC Tee	1	1	0.82	1.81	1 box
138803-001+	50 x 40 x 32 mm EVERLOC Tee	1	1	0.72	1.59	1 box
221928-001+	63 x 40 x 40 mm EVERLOC Tee	1	1	1.50	3.31	1 box
221926-001+	63 x 50 x 32 mm EVERLOC Tee	1	1	1.20	2.65	1 box
221930-001+	63 x 50 x 40 mm EVERLOC Tee	1	1	1.60	3.53	1 box
221933-001+	63 x 50 x 50 mm EVERLOC Tee	1	1	1.60	3.53	1 box
221935-001+	75 x 63 x 32 mm EVERLOC Tee	1	1	2.10	4.63	1 box
221938-001+	75 x 63 x 50 mm EVERLOC Tee	1	1	2.40	5.29	1 box
221943-001+	75 x 63 x 63 mm EVERLOC Tee	1	1	2.65	5.84	1 box

+ This item is not stocked. Lead times may vary.

These fittings connect to RAUPEX pipe using REHAU installation tools. Order EVERLOC sleeves separately.



EVERLOC Carbon Steel Tees

Article No.	Description	Package Quantity	Unit Weight		Minimum Order
			kg	lb	
222684-001+	40 x 32 x 25 mm EVERLOC Tee	1	1.50	3.31	1
222704-001+	50 x 40 x 40 mm EVERLOC Tee	1	2.00	4.41	1
222714-001+	63 x 50 x 25 mm EVERLOC Tee	1	2.50	5.51	1
241194-001+	75 x 63 x 25 mm EVERLOC Tee	1	2.53	5.58	1
241214-001+	75 x 63 x 40 mm EVERLOC Tee	1	2.82	6.22	1
241304-001+	90 x 75 x 25 mm EVERLOC Tee	1	3.84	8.47	1
241314-001+	90 x 75 x 32 mm EVERLOC Tee	1	4.05	8.93	1
241324-001+	90 x 75 x 40 mm EVERLOC Tee	1	4.23	9.32	1
241334-001+	90 x 75 x 50 mm EVERLOC Tee	1	4.58	10.10	1
241344-001+	90 x 75 x 63 mm EVERLOC Tee	1	5.09	11.22	1
241354-001+	90 x 75 x 75 mm EVERLOC Tee	1	4.47	9.86	1
241364-001+	90 x 90 x 25 mm EVERLOC Tee	1	4.55	10.03	1
241394-001+	90 x 90 x 50 mm EVERLOC Tee	1	5.28	11.64	1
241414-001+	90 x 90 x 75 mm EVERLOC Tee	1	6.51	14.35	1
241434-001+	110 x 90 x 25 mm EVERLOC Tee	1	5.00	11.02	1
241444-001+	110 x 90 x 32 mm EVERLOC Tee	1	5.25	11.57	1
241454-001+	110 x 90 x 40 mm EVERLOC Tee	1	5.43	11.97	1
241464-001+	110 x 90 x 50 mm EVERLOC Tee	1	5.77	12.72	1
241474-001+	110 x 90 x 63 mm EVERLOC Tee	1	5.77	12.72	1
241484-001+	110 x 90 x 75 mm EVERLOC Tee	1	6.29	13.87	1
241494-001+	110 x 90 x 90 mm EVERLOC Tee	1	7.00	15.43	1
241504-001+	110 x 110 x 25 mm EVERLOC Tee	1	5.53	12.19	1
241524-001+	110 x 110 x 40 mm EVERLOC Tee	1	6.26	13.8	1
241554-001+	110 x 110 x 75 mm EVERLOC Tee	1	6.78	14.95	1
241564-001+	110 x 110 x 90 mm EVERLOC Tee	1	7.49	16.51	1
310307-001+	125 x 110 x 63 mm EVERLOC Tee	1	22.05	10.00	1
310306-001+	125 x 110 x 75 mm EVERLOC Tee	1	10.00	22.05	1
301889-001+	125 x 110 x 90 mm EVERLOC Tee	1	10.50	23.15	1
301888-001+	125 x 110 x 110 mm EVERLOC Tee	1	11.50	25.35	1
301897-001+	125 x 110 x 125 mm EVERLOC Tee	1	13.00	28.66	1
301895-001+	125 x 125 x 63 mm EVERLOC Tee	1	11.00	24.25	1
352896-001+	125 x 125 x 75 mm EVERLOC Tee	1	11.10	24.47	1
352897-001+	125 x 125 x 90 mm EVERLOC Tee	1	11.5	25.36	1
352899-001+	125 x 125 x 110 mm EVERLOC Tee	1	12.50	27.56	1
352898-001+	125 x 125 x 125 mm EVERLOC Tee	1	14.00	30.87	1

+ This item is not stocked. Lead times may vary.

Welded carbon steel fitting includes three EVERLOC brass sleeves (25 to 63 mm) or gunmetal (75 to 125 mm).

These fittings connect to RAUPEX pipe using REHAU installation tools.



EVERLOC Carbon Steel Welding Ends

EVERLOC steel welding ends can be used with standard steel welding tees to create custom EVERLOC tees. EVERLOC steel welding ends (carbon steel and stainless steel) are not stocked and require about 8 weeks for delivery.

Article No.	Description	Package Quantity	Unit Weight		Minimum Order
			kg	lb	
221717	1 in. EVERLOC x NPS 3/4 in. Schedule 40 Carbon Steel Welding End	1	0.09	0.2	1
221727	1 1/4 in. EVERLOC x NPS 1 in. Schedule 40 Carbon Steel Welding End	1	0.16	0.4	1
221737	1 1/2 in. EVERLOC x NPS 1 1/4 in. Schedule 40 Carbon Steel Welding End	1	0.27	0.6	1
221747	2 in. EVERLOC x NPS 1 1/2 in. Schedule 40 Carbon Steel Welding End	1	0.36	0.8	1
221807	63 mm EVERLOC x NPS 2 in. Schedule 40 Carbon Steel Welding End	1	0.73	1.6	1
221817	75 mm EVERLOC x NPS 2 1/2 in. Schedule 40 Carbon Steel Welding End	1	1.13	2.5	1
221827	90 mm EVERLOC x NPS 3 in. Schedule 40 Carbon Steel Welding End	1	1.50	3.3	1
221837-001	110 mm EVERLOC x NPS 4 in. Schedule 40 Carbon Steel Welding End	1	2.20	4.9	1
298256-001	125 mm EVERLOC x NPS 4 in. Schedule 40 Carbon Steel Welding End	1	2.50	5.5	1

Used for custom tee fabrication on closed systems with air removal devices and with RAUPEX O₂ barrier pipe. Order EVERLOC sleeves separately.

8.

RAUPEX COMPRESSION NUT FITTINGS

RAUPEX split-ring compression nut brass fittings are machined from solid brass stock. Integral fitting/insert design provides positive clamping and sealing action with split compression ring.



RAUPEX MPT Adapters

Article No.	Description	Package Quantity			Unit Weight		Minimum Order
		Bag	Box	Carton	g	lb	
260477	1 in. RAUPEX x 1 in. MPT or 3/4 in. C Female (Sweat)	1	10	60	305	0.67	1 box

Dual adapter fittings connect RAUPEX pipe to threaded fitting (first size) or copper pipe (second size) in sizes indicated. Make solder or threaded connection before connecting to RAUPEX pipe.



RAUPEX Adapters

Article No.	Description	Package Quantity			Unit Weight		Minimum Order
		Bag	Box	Carton	g	lb	
260467	1 in. RAUPEX x 1 in. C Female (Sweat)	1	10	60	274	0.60	1 box

Copper adapter fittings connect RAUPEX pipe to copper pipe in sizes indicated. Make solder connection before connecting to RAUPEX pipe.

9.

RAUTOOL PEX PIPE INSTALLATION TOOLS

Custom tools provide fast, easy, professional installations, and are required to assemble EVERLOC fittings. RAUTOOL tools are made of quality materials and field-tested for long life and reliable performance. Tools are sold as complete kits or as individual components using the article numbers listed below.



RAUTOOL M1 Manual Tool Kit

Article No.	Description	Package Quantity	Unit Weight		Minimum Order
			kg	lb	
298296-001	M1 25 to 40 mm	1	10.1	22.2	1 kit

The M1 manually operated tool is used for the assembly of REHAU RAUVITHERM pipes in sizes 25, 32 and 40 mm.

Each M1 tool kit comes complete with the following:

- M1 basic tool (Art. 137764-005)
- Pipe expander (Art. 139592)
- Ratchet pipe cutter (Art. 138062)
- Expansion head 25 x 2.3 mm (Art. 139662-001)
- Expansion head 32 x 2.9 mm (Art. 137193-001)
- Expansion head assembly M1 40 x 3.7 mm (Art. 137314-001)
- Set of clamping jaws M1 25/32 mm (Art. 137364-001)
- Set of clamping jaws M1 40 mm (Art. 201798-001)
- Grease and brush pack
- Rugged plastic transport case
- Operating instructions



RAUTOOL A-light2 Battery Tool Kit

Article No.	Description	Package Quantity	Unit Weight		Minimum Order
			kg	lb	
298786-001	A-light2 25 to 40 mm	1	11.4	25	1 kit

The A-light2 tool kit is an 18 V Li-ion battery operated tool used for assembly of RAUVITHERM pipes in sizes 1/2 to 1 1/4 in and 25, 32 and 40 mm.

Each A-light2 tool kit comes complete with the following:

- A-light2 basic tool (Art. 298236-001)
- Li-ion battery (Art. 203619-001)
- Battery charger 120 V DC18RA (Art. 212754-001)
- Ratchet pipe cutter (Art. 138062)
- Pipe expander (Art. 139592)
- Expander bit 25/32 mm (Art. 247504-001)
- Expansion head 25 x 2.3 mm (Art. 139662-001)
- Expansion head 32 x 2.9 mm (Art. 137193-001)
- Expansion head assembly A-light2 40 x 3.7 mm (Art. 138323-001)
- Set of clamping jaws A-light2 25/32 mm (Art. 257259-002)
- Set of clamping jaws A-light2 40 mm (Art. 201801-001)
- Grease and brush pack
- Rugged plastic transport case
- Operating instructions

Accessory items sold separately:

- Set of clamping jaws A-light2 1/2, 3/4 in (Art. 403219-001)
- Set of clamping jaws A-light2 1, 1 1/4 in (Art. 215749-001)



RAUTOOL G2 Battery Hydraulic Tool Kit

Article No.	Description	Package Quantity	Unit Weight		Minimum Order
			kg	lb	
212734-001	G2 50 to 63 mm	1	15.0	33.0	1 kit

The G2 tool uses a battery hydraulic pump, a 10-ft (3 m) hydraulic hose with quick-release fittings and an actuating head that is used for both expansion and compression steps. Follow all included safety warning about the safe use of this tool.

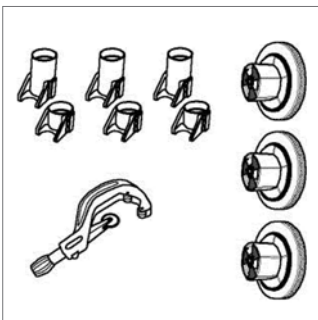
With additional accessories, the G2 battery hydraulic tool can also be used for assembling compression-sleeve fittings in sizes 1 1/2 to 2 in. and 40 to 110 mm.

Each G2 tool kit comes complete with the following:

- Battery pump AP-3 (Art. 212734-920)
- Li-ion battery 18 V/3 Ah (Art. 203623-001)
- Battery charger 120 V US/CA (Art. 212754-001)
- Hydraulic cylinder (Art. 137904-001) with hydraulic hose G2 (Art. 212734-900)
- Head assembly with 2 short + 2 long locking pins (Art. 137914-001)
- Pipe cutter for up to 63 mm (Art. 139092)
- Deburring tool (Art. 138990-001)
- Basic transport case (Art. 137724-001)
- Operating instructions
- Expansion head G 50 x 4.6 mm (Art. 137424)
- Expansion head G 63 x 5.7 mm (Art. 137434)
- Set of clamping jaws G 50 mm (Art. 137624)
- Set of clamping jaws G 63 mm (Art. 137634)

Accessory items sold separately:

- Set of 2 short + 2 long locking pins (Art. 137745-001)
- AP3 adapter to G1 hose (Art. 212734-910)
- Expansion head G 1 1/2 in (Art. 235427-001)
- Expansion head G 2 in (Art. 235437-001)
- Expansion head G 40 x 3.7 mm (Art. 138463)
- Set of compression jaws G 40 mm/1 1/2 in (Art. 137964-002)
- Set of compression jaws G 2 in (Art. 235497-001)
- G1/G2 Expansion kit 75 to 110 mm RAUTOOL G (Art. 137825-001)



G1/G2 Expansion Kit

Article No.	Description	Package Quantity	Unit Weight		Minimum Order
			kg	lb	
137825-001	G1/G2 75 to 110 mm Expansion Kit	1	30.5	67.0	1 kit

Use with the G1 or G2 tool (purchased separately) for assembling compression-sleeve fittings in sizes 75 to 110 mm.

This expansion kit comes complete with the following:

- Pipe cutter for 50 to 125 mm (Art. 137394-001)
- Transport case extension (Art. 244561-001)
- Expansion head G 75 x 6.8 mm (Art. 137584)
- Expansion head G 90 x 8.2 mm (Art. 137604)
- Expansion head G 110 x 10.0 mm (Art. 137614)
- Compression jaws G 75 mm (Art. 137644)
- Compression jaws G 90 mm (Art. 137654)
- Compression jaws G 110 mm (Art. 137664)



RAUTOOL G2 125 to 160 mm Battery Hydraulic Tool Kit

Article No.	Description	Package Quantity	Unit Weight		Minimum Order
			kg	lb	
212744-001	G2 125 to 160 mm	1	52.7	116.0	1 kit

Specifically designed for assembling EVERLOC fittings in sizes 125 to 160 mm. This powerful tool with a battery-hydraulic pump is ideal for use in prefabrication and on construction sites. Follow instructions and safety warnings included with the tool and in the INSULPEX Installation Guide.

The G2 125 to 160 mm tool kit comes complete with the following:

- Battery pump AP-4 (Art. 212744-920)
- Li-ion battery 18 V/3 Ah (Art. 203623-001)
- Battery charger 120 VAC US/CA (Art. 212754-001)
- 2 hydraulic cylinders (Art. 137904-001) with hydraulic hose G2 125 to 160 mm (Art. 212744-900)
- Head assembly with 2 short locking pins (Art. 137914-001)
- 2 long locking pins (2X Art. 137745-001)
- Y-distributor with quick couplings G2 125 to 160 mm (Art. 212744-910)
- Pipe cutter for 110 to 160 mm (Art. 221016-001)
- Deburring tool (Art. 138990-001)
- Basic transport case (Art. 137724-001)
- Transport case extension (Art. 138015-001)
- Operating instructions
- Expansion head G 125 11.4 mm (Art. 138006-001)
- Expansion head G 160 x 14.6 mm (Art. 138007-001)
- Set of compression jaws G 160 mm (Art. 138008-001)
- Set of reducers G 160/125 mm (Art. 138009-001)

Accessory item sold separately:

- Pipe lubricant (Art. 128953-003)



Battery Accessories

Article No.	Description	Package Quantity	Unit Weight		Minimum Order
			kg	lb	
212754-001	Battery Charger 120 VAC	1	1.0	2.2	1
203619-001	Battery Li-ion 18 V/1.5 Ah A-light2	1	0.5	1.0	1
203623-001	Battery Li-ion 18 V/3 Ah G2	1	0.6	1.4	1





Ratchet Cutters

Article No.	Description	Package Quantity	Unit Weight		Minimum Order
			kg	lb	
138062	Ratchet Cutter for up to 1 1/2 in. RAUPEX	1	0.41	0.90	1
139092	Large Ratchet Cutter for up to 63 mm RAUPEX	1	1.09	2.41	1

It is important to use a proper cutter when cutting RAUPEX pipes. RAUPEX cutters provide clean, square and accurate cutting of RAUPEX pipes in sizes indicated.



Enclosed Feed Cutters

Article No.	Description	Package Quantity	Unit Weight		Minimum Order
			kg	lb	
221016-001	Pipe Cutter for 110 to 160 mm RAUPEX	1	0.91	2.0	1
137394-001	Pipe Cutter for 50 to 125 mm RAUPEX	1	0.46	1.0	1



EVERLOC Sleeve Lubricant

Article No.	Description	Package Quantity	Unit Weight		Minimum Order
			kg	lb	
128953-003	EVERLOC Sleeve Lubricant	1	0.49	1.1	1 tube



INSULPEX Repair Tape

Article No.	Description	Package Quantity	Unit Weight		Minimum Order
			kg	lb	
241002	INSULPEX Repair Tape	1	0.26	0.6	1 roll

Waterproof, synthetic rubber adhesive tape can be used to repair the PE casing of INSULPEX pipe if it is damaged. Tape dimensions: 2 in. wide x 15' long (50 mm x 4.57 m). Do not apply tape to RAUPEX carrier pipe(s).



RAUGEO™ GROUND LOOP HEAT EXCHANGE SYSTEMS

PRODUCT CATALOG

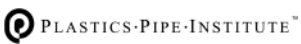
EFFECTIVE: JANUARY 1, 2014



TABLE OF CONTENTS

1. RAUGEO™ Ground Loops	3.3
2. PRO-BALANCE® 1 1/4 in. Manifolds	3.6
3. HKV 1 1/4 in. Manifolds	3.7
4. PRO-BALANCE XP Manifolds	3.8
5. PRO-BALANCE XP Accessories	3.10
6. EVERLOC® Fittings	3.12
7. RAUTOOL™ PEX Pipe Installation Tools	3.14

RAUGEO



For updates to this publication and the most current technical instructions, safety information and manufacturer's recommendations, visit na.rehau.com/resourcecenter

1.

RAUGEO GROUND LOOPS

RAUGEO PEXa pipes and compression-sleeve fittings are recognized by the International Ground Source Heat Pump Association's (IGSHPA) *Design and Installation Standards* guide as an accepted piping system for ground loop heat exchangers.

RAUGEO PEXa pipes are manufactured using REHAU's high-pressure peroxide method for crosslinked polyethylene (PEXa). RAUGEO PEXa pipe has a coextruded grey PE UV shield that protects the pipe against ultraviolet light (sunlight) for an extended time. All RAUGEO PEXa pipe meets or exceeds the requirements of ASTM F876, F877, CSA B137.5, and PPI TR-3. RAUGEO PEXa pipe is manufactured by REHAU in a plant using a quality management system that is certified to ISO 9001.

RAUGEO ground loops are certified to CSA C448 and are recognized by the International Ground Source Heat Pump Association's (IGSHPA) *Design and Installation Standards* guide as an accepted piping system for ground loop heat exchangers.

RAUGEO PEXa pipe is compatible with RAUPEX compression nut fittings and fittings certified to ASTM F2080 and CSA B137.5.

See applicable REHAU technical documents for detailed temperature and pressure ratings.



RAUGEO 1 in. Double U-bend

Article No.	Description	Package Quantity	Unit Weight		Minimum Order
			kg	lb	
630366-224	RAUGEO Double U-bend PEXa 1 in. CTS 210 ft Coil (840 ft)	1	71.6	157.8	1
630366-924	RAUGEO Double U-bend PEXa 1 in. CTS 260 ft Coil (1,040 ft)	1	87.4	192.7	1
630366-324	RAUGEO Double U-bend PEXa 1 in. CTS 310 ft Coil (1,240 ft)	1	103.3	227.7	1
630366-374	RAUGEO Double U-bend PEXa 1 in. CTS 360 ft Coil (1,440 ft)	1	119.1	262.6	1

One RAUGEO double U-bend coil comes packaged as two single U-bend coils with attachment hardware. Each RAUGEO single U-bend comprises RAUGEO PEXa UV shield pipe with reinforced resin U-bend tip. 1 in. pipe inside diameter is 0.875 in (22.2 mm). 1 in. pipe capacity is 0.0316 US gallons per foot (0.3939 l/m). Custom coil lengths are available upon request, but with an extended lead time.



RAUGEO 1 in. Single U-bend

Article No.	Description	Package Quantity	Unit Weight		Minimum Order
			kg	lb	
630376-224	RAUGEO Single U-bend PEXa 1 in. CTS 210 ft Coil (420 ft)	1	35.8	78.9	1
630376-924	RAUGEO Single U-bend PEXa 1 in. CTS 260 ft Coil (520 ft)	1	43.7	96.4	1
630376-324	RAUGEO Single U-bend PEXa 1 in. CTS 310 ft.Coil (620 ft)	1	51.6	113.8	1
630376-374	RAUGEO Single U-bend PEXa 1 in. CTS 360 ft.Coil (720 ft)	1	59.6	131.3	1

Each RAUGEO single U-bend comprises RAUGEO PEXa UV shield pipe with reinforced resin U-bend tip. 1 in. pipe inside diameter is 0.875 in (22.2 mm). 1 in. pipe capacity is 0.0316 US gallons per foot (0.3939 l/m). Custom coil lengths are available upon request, but with an extended lead time.

RAUGEO 1 1/4 in. Double U-bend

Article No.	Description	Package Quantity	Unit Weight		Minimum Order
			kg	lb	
630386-364*	RAUGEO Double U-bend PEXa 1 1/4 in. CTS 360 ft Coil (1,440 ft)	1	159.9	352	1
630386-424	RAUGEO Double U-bend PEXa 1 1/4 in. CTS 410 ft Coil (1,640 ft)	1	181.9	401	1
630386-464*	RAUGEO Double U-bend PEXa 1 1/4 in. CTS 460 ft.Coil (1,840 ft)	1	203.7	449	1
630386-524	RAUGEO Double U-bend PEXa 1 1/4 in. CTS 510 ft.Coil (2,040 ft)	1	225.4	497	1

*This item is not stocked. Lead times may vary.

One RAUGEO double U-bend comes packaged as two single U-bend coils. The double U-bend is made by joining two (2) single U-bends with the provided 1/4 - 20 x 1 in. bolts and nuts through the joining bars. Each single U-bend comprises RAUGEO PEXa UV shield pipe with a probe tip that is constructed of corrosion-resistant stainless steel tube and stainless steel ASTM F2080 fittings. The tip assembly is covered in a rubber dip coating to further protect it from corrosion. A heat shrink sleeve is also applied over the joint between the RAUGEO pipe and the tip.

1 1/4 in. pipe inside diameter is 1.070 in (27.2 mm). 1 1/4 in. pipe capacity is 0.0467 US gallons per foot (0.5827 l/m). Custom coil lengths are available upon request, but with an extended lead time.

RAUGEO 1 1/4 in. Single U-bend

Article No.	Description	Package Quantity	Unit Weight		Minimum Order
			kg	lb	
630396-364*	RAUGEO Single U-bend PEXa 1 1/4 in. CTS 360 ft Coil (720 ft)	1	79.9	176	1
630396-424	RAUGEO Single U-bend PEXa 1 1/4 in. CTS 410 ft Coil (820 ft)	1	95.3	210	1
630396-464*	RAUGEO Single U-bend PEXa 1 1/4 in. CTS 460 ft.Coil (920 ft)	1	101.6	224	1
630396-524	RAUGEO Single U-bend PEXa 1 1/4 in. CTS 510 ft.Coil (1,020 ft)	1	112.5	248	1

*This item is not stocked. Lead times may vary.

Each single U-bend comprises RAUGEO PEXa UV shield pipe with a probe tip that is constructed of corrosion-resistant stainless steel tube and stainless steel ASTM F2080 fittings. The tip assembly is covered in a rubber dip coating to further protect it from corrosion. A heat shrink sleeve is also applied over the joint between the RAUGEO pipe and the tip.

1 1/4 in. pipe inside diameter is 1.070 in (27.2 mm). 1 1/4 in. pipe capacity is 0.0467 US gallons per foot (0.5827 l/m). Custom coil lengths are available upon request, but with an extended lead time.

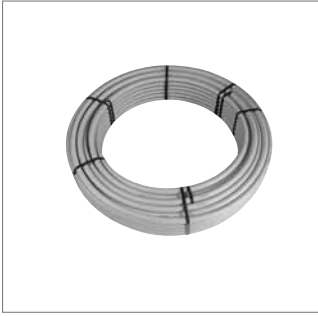
RAUGEO Helix Coil



Article No.	Description	Package Quantity	Unit Weight		Minimum Order
			kg	lb	
630406-001*	RAUGEO Helix PEXa Coil 1 in. CTS	1	15.4	34	1

*This item is not stocked. Lead times may vary.

The RAUGEO Helix coil is made with 1 in. PEXa pipe with an inside diameter of 0.875 in (22.2 mm) and an outer coil diameter of 16 in (40 cm). Helix coils are designed for installations where drilling depth is limited to 15 ft or less. Coil extends from 4 ft for transport to 10 ft for installation.



RAUGEO Collect Pipe

Article No.	Description	Package Quantity	Unit Weight		Minimum Order
			kg	lb	
235371-524*	RAUGEO Collect 3/4 in. CTS (500 ft)	500 ft	24.6	54.3	1 coil
235381-324	RAUGEO Collect 1 in. CTS (300 ft)	300 ft	23.7	52.2	1 coil
235381-524	RAUGEO Collect 1 in. CTS (500 ft)	500 ft	39.5	87.0	1 coil
235381-824	RAUGEO Collect 1 in. CTS (800 ft)	800 ft	63.2	139.2	1 coil
235391-524	RAUGEO Collect 1 1/4 in. CTS (500 ft)	500 ft	56.9	125.5	1 coil
235391-824	RAUGEO Collect 1 1/4 in. CTS (800 ft)	800 ft	87.8	193.69	1 coil

* This item is not stocked. Lead times may vary.

RAUGEO Collect is RAUGEO PEXa UV shield pipe for horizontal ground loops and system distribution piping.

3/4 in. pipe inside diameter is 0.680 in (17.3 mm) and its capacity is 0.0189 US gallons per foot (0.2356 l/m).

1 in. pipe inside diameter is 0.875 in (22.2 mm) and its capacity is 0.0316 US gallons per foot (0.3939 l/m).

1 1/4 in. pipe inside diameter is 1.070 in (27.2 mm) and its capacity is 0.0467 US gallons per foot (0.5827 l/m).

Custom coil lengths are available upon request, but with an extended lead time.



RAUGEO U-bend Vertical Ground Loop Accessories

Article No.	Description	Package Quantity	Unit Weight		Minimum Order
			kg	lb	
222858-001	RAUGEO U-bend 1 in. CTS Pipe Spacer	200	0.04	0.10	1 box
222859-001	RAUGEO U-bend 1 1/4 in. CTS Pipe Spacer	200	0.05	0.11	1 box



RAUGEO Collect Horizontal Ground Loop Accessories

Article No.	Description	Package Quantity	Unit Weight		Minimum Order
			kg	lb	
236117	PE Protection Sleeve for 3/4 in. Pipe	50 ft/coil	1.10	2.40	1 coil
236127*	PE Protection Sleeve for 1 in. Pipe	50 ft/coil	1.70	3.60	1 coil
236137*	PE Protection Sleeve for 1 1/4 in. Pipe	150 ft/coil	6.10	13.4	1 coil
266227	3/4 in. Polymer Support Bend	50 pcs/box	70	0.16	1 box
266237	1 in. Polymer Support Bend	50 pcs/box	100	0.22	1 box
266727	1 1/4 in. Polymer Support Bend	50 pcs/box	200	0.44	1 box
253625	3/4 and 1 in. Heat Shrink – 3.3 ft (1 m)	5 pcs/box	0.12	0.27	1 box

* This item is not stocked. Lead times may vary.



RAUGEO Installation Accessories

Article No.	Description	Package Quantity	Unit Weight		Minimum Order
			kg	lb	
285561-001	Bulk Head Seal ID 0.75 to 1.1 in.	1	0.60	1.32	1
285571-001*	Bulk Head Seal ID 1.25 to 1.56 in.	1	0.59	1.29	1
285581-001*	Bulk Head Seal ID 2.0 in.	1	0.45	1.00	1
285591-001*	Bulk Head Seal ID 2.5 in.	1	0.46	1.01	1

* This item is not stocked. Lead times may vary.

Bulkhead seal provides a water resistant seal for pipe penetrations through foundation walls.

2.

PRO-BALANCE 1 1/4 IN. MANIFOLDS



PRO-BALANCE 1 1/4 in. Brass Manifold With Gauges

Article No.	Stations	Manifold Length		Package Quantity	Unit Weight		Minimum Order
		mm	in		kg	lb	
281841-100	4	398	15.08	1	5.0	11.0	1
281851-100	5	453	17.06	1	5.4	12.0	1
281861-100	6	508	19.02	1	6.0	13.1	1
281871-100	7	563	20.99	1	6.5	14.2	1
281881-100	8	618	22.95	1	6.9	15.3	1

Delivered pre-assembled and ready to install. Use with 3/4 and 1 in. RAUPEX pipe. Order manifold-to-pipe connectors separately. For 3/4 in. pipe use R-20 fitting (Art. 267007-001). For 1 in. pipe use manifold adapter assembly (Art. 212104-001).

Each manifold comes complete with:

- Installation instructions
- 1 1/4 in. NPT supply and return manifold isolation ball valves with thermometer sockets and flat gaskets
- Two 1 1/4 in. BSPP brass end caps with gaskets
- Visual flow gauges / isolation valves (0 to 4 GPM) on supply side
- Circuit balancing/isolation valves on return side
- Mounting brackets
- Four drywall screws
- Vent key
- Manifold circuit chart

Notes:

- Mini thermometers (Art. 250218) sold separately
- Manifold lengths above include the isolation ball valve 3.86 in (98mm)
- Maximum flow is 4.0 GPM (0.25 l/s) per circuit; 40 GPM (2.52 l/s) total
- Manifold not compatible with alcohol-based antifreezes
- Depth of manifold is 4.50 in (11.4 cm) with bracket, valve, and mini thermometer installed
- Can be joined to other manifold sections using 1 1/4 in. BSPP unions (Art. 281971-001) or 1 1/4 in. BSPF x 1 1/4 in. BSPF x 1 1/4 in. BSPM union tee (Art. 250228-001), see PRO-BALANCE Accessories and Replacement Parts.

Note: Not for use with alcohol-based glycols.

3.

HKV 1 1/4 IN. MANIFOLDS



HKV 1 1/4 in. Brass Manifold

Article No.	Stations	Manifold Length		Package Quantity	Unit Weight		Minimum Order
		cm	in		kg	lb	
215528-001	4	30.0	11.81	1	5.0	11.0	1
215529-001	6	41.0	16.14	1	5.4	13.1	1

HKV 1 1/4 in. manifolds are for use in distributing and regulating the volume of flow in geothermal applications. HKV manifolds may be used with a variety of system fluids including propylene glycol, ethylene-based glycols and alcohol-based glycols. Manifolds are equipped with supply/shutoff valves and circuit balancing isolation valves which allow individual complete circuit isolation.

Pre-assembled and factory pressure-tested, these manifolds are for use with 1 and 1 1/4 in. RAUGEO PEXa UV shield pipe using REHAU manifold connections (sold separately).

Each HKV 1 1/4 in. manifold comes complete with the following:

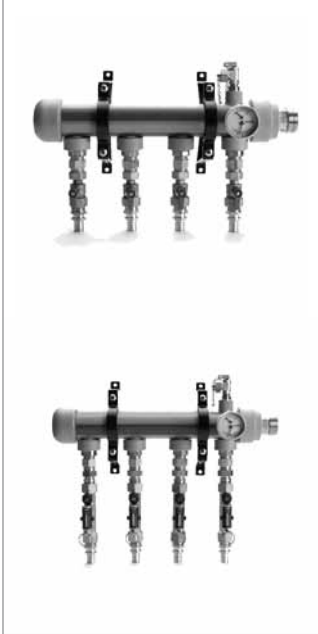
- Installation instructions
- 1 1/4 in. NPT supply and return manifold isolation ball valves with thermometer sockets and flat gaskets
- Two 1 1/4 in. BSPP brass end caps with gaskets
- Isolation valves on supply side
- Circuit balancing/isolation valves on return side
- Mounting brackets
- Four drywall screws
- Vent key
- Manifold circuit chart

Compatible with manifold valve actuator (Art. 260166), may be mounted in any orientation (e.g., inverted, horizontal, etc.), mini thermometers (Art. 250218) are sold separately.

4.

PRO-BALANCE XP MANIFOLDS

PRO-BALANCE XP Manifold



REHAU's robust PRO-BALANCE XP Manifold for larger flow capacity applications is constructed from a strong, durable polypropylene material and is available in 4 to 20 drops. The XP manifold can connect to either 1 or 1 1/4 in. RAUGEO PEXa pipe using REHAU's EVERLOC fittings. Manifold pipe diameter varies according to number of drops. 2 or 3 in. MPT connection to main. See product submittal for details.

Notes: Allows up to 10 GPM per circuit, with a total maximum of 200 GPM

To build a complete PRO-BALANCE XP Manifold, follow the steps below:

- 1) Select the header set with the desired number of drops
- 2) Select the type of drop connection required, either 1 in. EVERLOC, 1 1/4 in. EVERLOC, or 1 in. FPT
- 3) Order one drop set for each drop of the manifold, corresponding to the selected drop connection from Step 2.
- 4) Select the accessory kit which corresponds to the number of drops on your header set

Example: An order for a 12 drop manifold with 1 in. EVERLOC connections would consist of:

Article No.	Description	Qty
212604-012	PRO-BALANCE XP Header Set - 12 Drop	1
212654-002	PRO-BALANCE XP Drop Set - 1 in. EVERLOC	12
212664-002	PRO-BALANCE XP Accessory Kit - 9 to 15 Drop	1

PRO-BALANCE XP Header Set



Article No.	Drops	Manifold Length		Package Quantity	Unit Weight		Minimum Order
		mm	in		kg	lb	
212604-106	6	826	32.5	1	11.1	24.4	1
212604-108	8	1,066	42.0	1	12.8	28.2	1
212604-110	10	1,306	51.4	1	16.0	35.2	1
212604-112*	12	1,546	60.9	1	17.6	38.7	1
212604-114*	14	1,786	70.3	1	19.3	42.5	1
212614-116*	16	2,045	80.5	1	25.4	56.0	1
212614-118*	18	2,285	90.0	1	28.0	61.6	1

* This item is not stocked. Lead times may vary.

The PRO-BALANCE XP Header Set consists of one supply header and one return header. Every header set is 100% inspected tested and bar-coded for traceability, and fabricated by REHAU by certified technicians in a plant using a quality management system that is certified to ISO 9001. Brackets not included.



PRO-BALANCE XP Drop Sets

Article No.	Description	Package Quantity	Unit Weight		Minimum Order
			kg	lb	
212654-001	PRO-BALANCE XP Drop Set - 3 to 10 GPM, 1 in. Female NPT	1	1.93	4.25	1
212654-002	PRO-BALANCE XP Drop Set - 3 to 10 GPM, 1 in. EVERLOC	1	2.43	5.35	1
212654-003	PRO-BALANCE XP Drop Set - 3 to 10 GPM, 1 1/4 in. EVERLOC	1	2.58	5.68	1
212654-101	PRO-BALANCE XP Drop Set - 2 to 7 GPM, 1 in. Female NPT	1	1.93	4.25	1
212654-102	PRO-BALANCE XP Drop Set - 2 to 7 GPM, 1 in. EVERLOC	1	2.43	5.35	1
212654-103	PRO-BALANCE XP Drop Set - 2 to 7 GPM, 1 1/4 in. EVERLOC	1	2.58	5.68	1

In addition to the pipe fittings, the PRO-BALANCE XP Drop Set includes all the components required for installation onto the PRO-BALANCE XP Header Set to yield maximum flow control and individual loop isolation capabilities. Each set includes the hardware for one supply and one return drop, including:

- Brass flow meter with integrated balancing valve
- Brass ball valve
- Connections to either 1 or 1 1/4 in. RAUGEO PEXa pipe or 1 in. Male NPT thread



PRO-BALANCE XP Accessory Kits

Article No.	Description	Package Quantity	Unit Weight		Minimum Order
			kg	lb	
212664-001	PRO-BALANCE XP Accessory Kit - 4 to 8 Drop	1	4.17	9.2	1
212664-002	PRO-BALANCE XP Accessory Kit - 9 to 15 Drop	1	5.85	12.9	1
212664-003	PRO-BALANCE XP Accessory Kit - 16 to 20 Drop	1	7.62	16.8	1

The PRO-BALANCE XP Accessory Kit, in combination with the header set and drop sets, completes a full PRO-BALANCE XP Manifold. Each accessory kit includes:

- Pressure and temperature gauges
- Fill/Purge valves
- Brass hex plugs
- Mounting brackets

5.

PRO-BALANCE XP MANIFOLD ACCESSORIES

Temperature/Pressure Gauges



Article No.	Description	Package Quantity	Unit Weight		Minimum Order
			kg	lb	
730013-001	Tridicator - Pressure and Temperature	1	0.16	0.35	1

This gauge measures both temperature and pressure.
 Temperature range: 10 to 120°F (-12 to 49°C). Pressure range: 0 to 100 psi.

Fill/Purge Valves



Article No.	Description	Package Quantity	Unit Weight		Minimum Order
			kg	lb	
730103-001	Mini-Ball™ Valve / Drain Valve	1	0.20	0.45	1

For easy filling and purging of the geothermal manifold and loops. Male pipe thread, 1/2 in. MPT, 3/4 in. garden hose thread (GHT).

Flow Gauges



Article No.	Description	Package Quantity	Unit Weight		Minimum Order
			kg	lb	
730173-001	Brass Flow Gauge with Setter, 3 to 10 gpm	1	1.14	2.50	1
730023-001	Brass Flow Gauge with Setter, 2 to 7 gpm	1	1.14	2.50	1

For measuring and adjusting circuit flow rate.

Replacement Bypass Valve



Article No.	Description	Package Quantity	Unit Weight		Minimum Order
			kg	lb	
212724-001	Replacement Bypass Valve for Brass Flow Gauge	1	0.20	0.44	1

Replacement bypass valve can be used if the original valve that comes with the flow gauge setters (Art. 730173-001 and 730023-001) becomes damaged.



Ball Valves

Article No.	Description	Package Quantity	Unit Weight		Minimum Order
			kg	lb	
244777	1 in. Brass NPT Ball Valve with Thermometer Housing	1	0.21	0.46	1

Valves have integrated thermometer housings on each side of the valve housing. Mini thermometers (Art. 250218) can be set into these housings to give accurate readings of temperatures on both supply and return sides of any PRO-BALANCE brass manifold. Mini thermometers are sold separately.



Steel Bracket Sets

Article No.	Description	Package Quantity	Unit Weight		Minimum Order
			kg	lb	
730183-075	Painted Steel Bracket Set, 2 in. (75 mm)	1	1.68	3.70	1
730183-090	Painted Steel Bracket Set, 3 in. (90 mm)	1	1.70	3.75	1

For manifolds with 4 to 8 drops order two 2 in. bracket sets, manifolds with 9 to 15 drops order three 2 in. bracket sets and for manifolds with 16 to 20 drops order four 3 in. bracket sets.



Accessories

Article No.	Description	Package Quantity	Unit Weight		Minimum Order
			kg	lb	
730113-001	1/2 in. MPT Countersunk Hex Plug	1	0.03	0.07	1
730133-001	1 in. MPT Double Nipple	1	0.20	0.43	1



6.

EVERLOC FITTINGS

The EVERLOC compression-sleeve fitting system is a fast and reliable method of joining RAUGELO PEXa pipes as well as connecting RAUGELO PEXa pipes to other pipes that are approved for use with EVERLOC using an appropriate transition fitting. EVERLOC fittings and sleeves create dependable connections. These connections can be buried when protected using appropriate heat-shrink sleeving or waterproof silicone tape. Installation is easy with EVERLOC installation tools.

EVERLOC fittings meet the performance requirements of ASTM F877 and ASTM F2080, CSA C448, NSF-rfh and the International Ground Source Heat Pump Association's (IGSHPA) "Design and Installation Standards" guide. EVERLOC fittings are not certified for potable water applications.

EVERLOC Sleeves



Article No.	Description	Package Quantity		Unit Weight		Minimum Order
		Box	Carton	kg	lb	
260577-101	3/4 in. EVERLOC Sleeve	80	480	0.03	0.08	1 box
260877-101	1 in. EVERLOC Sleeve	40	240	0.07	0.16	1 box
235507-101	1 1/4 in. EVERLOC Sleeve	25	150	0.11	0.26	1 box

Sleeves are unplated brass. Tapered end installs toward fitting.

EVERLOC Couplings



Article No.	Description	Package Quantity		Unit Weight		Minimum Order
		Box	Carton	kg	lb	
260317-101	3/4 x 3/4 in. EVERLOC Coupling	35	210	0.08	0.18	1 box
260447-101	1 x 3/4 in. EVERLOC Reducer Coupling	25	150	0.11	0.25	1 box
260427-101	1 x 1 in. EVERLOC Coupling	20	120	0.14	0.30	1 box
235517-101	1 1/4 x 1 in. EVERLOC Reducer Coupling	10	60	0.20	0.43	1 box
235527-101	1 1/4 x 1 1/4 in. EVERLOC Coupling	5	30	0.23	0.50	1 box

Order EVERLOC sleeves separately.

EVERLOC Plugs



Article No.	Description	Package Quantity		Unit Weight		Minimum Order
		Box	Carton	kg	lb	
260397-101	3/4 in. EVERLOC Plug	60	360	0.05	0.12	1 box
260497-101	1 in. EVERLOC Plug	30	180	0.09	0.20	1 box
235267-101	1 1/4 in. EVERLOC Plug	20	120	0.10	0.22	1 box

Order EVERLOC sleeves separately.

EVERLOC Tees



Article No.	Description	Package Quantity		Unit Weight		Minimum Order
		Box	Carton	kg	lb	
260617-101	3/4 x 3/4 x 3/4 in. EVERLOC Tee	15	90	0.19	0.42	1 box
260707-101	1 x 1 x 3/4 in. EVERLOC Tee	10	60	0.29	0.65	1 box
260977-101	1 x 1 x 1 in. EVERLOC Tee	8	48	0.35	0.77	1 box
235657-101	1 1/4 x 1 x 1 in. EVERLOC Tee	5	30	0.42	0.93	1 box
235617-101	1 1/4 x 1 1/4 x 1 in. EVERLOC Tee	5	30	0.45	1.00	1 box
235607-101	1 1/4 x 1 1/4 x 1 1/4 in. EVERLOC Tee	5	30	0.51	1.12	1 box

Order EVERLOC sleeves separately.



EVERLOC Dual MPT Adapters

Article No.	Description	Package Quantity		Unit Weight		Minimum Order
		Box	Carton	kg	lb	
260597-101	3/4 in. EVERLOC x 1 in. MPT or 3/4 in. C Female (Sweat)	20	120	0.11	0.24	1 box
260437-101	1 in. EVERLOC x 1 in. MPT or 3/4 in. C Female (Sweat)	15	90	0.19	0.43	1 box
730053-001	1 1/4 in. EVERLOC X 1 in. MPT or 3/4 in. C Female (Sweat)	5	30	0.19	0.41	1 box
235557-101	1 1/4 in. EVERLOC x 1 1/4 in. MPT or 1 in. C Female (Sweat)	5	30	0.33	0.73	1 box

Dual adapters connect RAUGEO PEXa pipe to either female threaded fittings (first size) or copper pipe (second size) in sizes indicated. Make threaded or solder connections before connecting to RAUGEO PEXa pipe. Order EVERLOC sleeves separately.



EVERLOC FPT Adapters

Article No.	Description	Package Quantity		Unit Weight		Minimum Order
		Box	Carton	kg	lb	
260387-101	3/4 in. EVERLOC x 3/4 in. FPT Adapter	25	150	0.13	0.28	1 box
260487-101	1 in. EVERLOC x 1 in. FPT Adapter	10	60	0.23	0.51	1 box

FPT adapters connect RAUGEO PEXa pipe to male threaded fittings in sizes indicated. Make threaded connections before connecting to RAUGEO PEXa pipe. Order EVERLOC sleeves separately.



EVERLOC Elbows

Article No.	Description	Package Quantity		Unit Weight		Minimum Order
		Box	Carton	kg	lb	
260677-101	3/4 x 3/4 in. EVERLOC Elbow	25	150	0.13	0.29	1 box
260717-101	1 x 1 in. EVERLOC Elbow	10	60	0.25	0.56	1 box
235597-101	1 1/4 x 1 1/4 in. EVERLOC Elbow	8	48	0.37	0.82	1 box

In some situations a 90° bend may be formed without an elbow (refer to REHAU technical manuals); see support bends and PVC bend guides under RAUGEO Collect Horizontal Ground Loop Accessories in this catalog. Order EVERLOC sleeves separately.



RAUGEO Manifold Adapter Assembly

Article No.	Description	Package Quantity	Unit Weight		Minimum Order
			kg	lb	
212104-001	1 in. x R-20 Manifold Adapter Assembly RAUGEO (Set)	1 set	0.36	0.80	1 set

The 1 in. x R-20 manifold adapter assembly will allow installers to connect 1 in. RAUGEO PEXa pipes to the PRO-BALANCE 1 1/4 in. manifold. Each assembly comes complete with the following articles, and will be partially pre-assembled with the 3/4 in. EVERLOC connection already made:

- 2 x 267007- 3/4 in. R-20 adapter
- 2 x 260577- 3/4 in. EV sleeve
- 2 x 260877- 1 in. EV sleeve
- 2 x 260447- 1 x 3/4 in. EV reducer coupling
- 5 in. piece 3/4 in. RAUPEX white UV shield pipe

Tools required to make the 1 in. EVERLOC connection are sold separately.

7.

RAUTOOL PEX PIPE INSTALLATION TOOLS

Custom tools provide fast, easy, professional installations and are required to assemble EVERLOC fittings. REHAU tools are made of quality materials and field-tested for long life and reliable performance. Tools are sold as complete kits or as individual components using the article numbers listed below.



EVERLOC 3/4 to 1 1/4 in. Tool Kit

Article No.	Description	Package	Unit Weight		Minimum Order
		Quantity	kg	lb	
281391-001	EVERLOC 3/4 to 1 1/4 in. Tool kit	1	7.8	17.2	1

The EVERLOC 3/4 to 1 1/4 in. tool kit is specifically designed for assembling 3/4 to 1 1/4 in. EVERLOC fittings, covering all geo-thermal applications supported by the REHAU program.

EVERLOC 3/4 to 1 1/4 in. tool kit comes complete with the following:

- RAUPEX pipe expander (Art. 139592)
- 3/4, 1 and 1 1/4 in. expander heads (Art. 261886, 261896 and 235417)
- Grease and brush pack for expander maintenance
- VERSALOC® manual compression tool (243737)
- 4-in-1 VERSALOC jaws (set), 1 and 1 1/4 in. VERSALOC jaws (Art. 243767, 243787 and 243797)
- RAUCUTTER (Art. 137495)
- Ratchet cutter for up to 1 1/2 in. RAUPEX (Art. 138062)
- Tool box (Art. 261206)



VERSALOC Compression Tool

Article No.	Description	Package	Unit Weight		Minimum Order
		Quantity	kg	lb	
243737	VERSALOC Compression Tool	1	1.1	2.4	1

The VERSALOC compression tool easily compresses EVERLOC sleeves onto EVERLOC fittings up to 1 1/4 in. for a reliable connection. Ideal for all types of installation applications including joist cavities and other tight spaces. The VERSALOC compression tool is used with interchangeable VERSALOC jaws (jaws sold separately).



VERSALOC Compression Jaws

Article No.	Description	Package	Unit Weight		Minimum Order
		Quantity	kg	lb	
243767	4-in-1 VERSALOC Compression Jaws (Set)	1 set of 2	0.37	0.8	1 set
243787	1 in. VERSALOC Compression Jaws (Set)	1 set of 2	0.68	1.5	1 set
243797	1 1/4 in. VERSALOC Compression Jaws (Set)	1 set of 2	0.77	1.6	1 set

4-in-1 VERSALOC compression jaws are used with the VERSALOC compression tool to compress EVERLOC fittings in sizes 3/8, 1/2, 5/8 and 3/4 in.. The lower groove works with 3/8 and 1/2 in. EVERLOC fittings, while the upper groove works with 5/8 and 3/4 in. The 4-in-1 jaws reduce switching of jaws for common fitting sizes.

Jaws are sold in sets, so that 1 set includes 2 jaws.



RAUPEX Pipe Expander

Article No.	Description	Package Quantity	Unit Weight		Minimum Order
			kg	lb	
139592	RAUPEX Pipe Expander	1	1.4	3.2	1

Expands RAUGEO PEXa pipe quickly and easily to assemble EVERLOC fittings. Includes grease and brush pack for expander tool maintenance. Expander heads sold separately.



Pipe Expander Heads

Article No.	Description	Package Quantity	Unit Weight		Minimum Order
			kg	lb	
261886	3/4 in. Expander Head	1	0.16	0.35	1
261896	1 in. Expander Head	1	0.18	0.39	1
235417	1 1/4 in. Expander Head	1	0.20	0.45	1

Expander heads come in all sizes to expand RAUGEO PEXa pipe. For use with RAUPEX pipe expander (Art. 139592).



RAUPEX Pipe Cutters

Article No.	Description	Package Quantity	Unit Weight		Minimum Order
			kg	lb	
137495	RAUCUTTER (for up to 1 in. RAUPEX)	1	0.17	0.38	1
138062	Ratchet Cutter (for up to 1 1/2 in. RAUPEX)	1	0.41	0.90	1

It is important to use a proper cutter when cutting RAUGEO PEXa pipes. RAUPEX cutters provide clean, square and accurate cutting of RAUGEO PEXa pipes in sizes indicated.



RAUPEX® PIPE FOR PLUMBING

PRODUCT CATALOG

EFFECTIVE JANUARY 1, 2014

TABLE OF CONTENTS

1. RAUPEX® UV Shield Pipe	4.3
2. Installation Accessories	4.9
3. Installation Tools	4.12

RAUPEX



For updates to this publication and the most current technical instructions, safety information and manufacturer's recommendations, visit na.rehau.com/resourcecenter

1.

RAUPEX UV SHIELD PIPE

RAUPEX UV shield pipe is manufactured using REHAU's high-pressure peroxide method for crosslinked polyethylene (PEXa). RAUPEX UV shield pipe has a co-extruded PE shield that protects the pipe against ultraviolet light (sunlight) for an extended time. All RAUPEX UV shield pipe meets or exceeds the requirements of ASTM F876, CSA B137.5 and PPI TR-3 and is certified to NSF Standards 14/61. RAUPEX UV shield pipe is manufactured by REHAU in a plant using a quality management system that is certified to ISO 9001.

RAUPEX UV shield pipe is compatible with compression-sleeve fittings certified to ASTM F2080 and CSA B137.5, crimp ring fittings certified to ASTM F1807 or F2159, and RAUPEX compression nut fittings.



RAUPEX RED UV SHIELD PIPE

3/8 in. RAUPEX Red UV Shield Pipe

Article No.	Description	Package Quantity	Unit Weight		Minimum Order
			kg	lb	
235331-502*	3/8 in. RAUPEX Red UV Shield Pipe 500 ft coil (152.4 m)	500 ft	10.5	23.1	1 pallet/ 14,000 ft
235331-002*	3/8 in. RAUPEX Red UV Shield Pipe 1000 ft coil (304.8 m)	1000 ft	21.0	46.2	1 pallet/ 9,000 ft

* This item is not stocked. Lead times may vary.

Average 3/8 in. pipe capacity is 0.0050 US gallons per foot (0.0624 l/m).

1/2 in. RAUPEX Red UV Shield Pipe

Article No.	Description	Package Quantity	Unit Weight		Minimum Order
			kg	lb	
235351-102	1/2 in. RAUPEX Red UV Shield Pipe 100 ft coil (30.5 m)	100 ft	2.6	5.8	1 coil
235351-302	1/2 in. RAUPEX Red UV Shield Pipe 300 ft coil (91.4 m)	300 ft	7.8	17.2	1 coil
235351-502	1/2 in. RAUPEX Red UV Shield Pipe 500 ft coil (152.4 m)	500 ft	13.1	28.9	1 coil
235351-002	1/2 in. RAUPEX Red UV Shield Pipe 1000 ft coil (304.8 m)	1000 ft	26.3	57.9	1 coil
235351-152	1/2 in. RAUPEX Red UV Shield Pipe 500 ft (152.4 m)	5 (100 ft) coils/box	13.1	28.9	1 box
235351-352	1/2 in. RAUPEX Red UV Shield Pipe 1500 ft (457.2 m)	5 (300 ft) coils/box	41.1	90.5	1 box

Average 1/2 in. pipe capacity is 0.0098 US gallons per foot (0.1222 l/m).



3/4 in. RAUPEX Red UV Shield Pipe

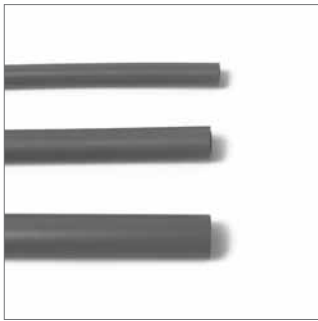
Article No.	Description	Package Quantity	Unit Weight		Minimum Order
			kg	lb	
235371-102	3/4 in. RAUPEX Red UV Shield Pipe, 100 ft coil (30.5 m)	100 ft	4.9	10.9	1 coil
235371-302	3/4 in. RAUPEX Red UV Shield Pipe, 300 ft coil (91.4 m)	300 ft	14.7	32.3	1 coil
235371-502	3/4 in. RAUPEX Red UV Shield Pipe, 500 ft coil (152.4 m)	500 ft	24.6	54.3	1 coil
235371-152	3/4 in. RAUPEX Red UV Shield Pipe, 500 ft (152.4 m)	5 (100 ft) coils/box	29.5	65	1 box

Average 3/4 in. pipe capacity is 0.0189 US gallons per foot (0.2356 l/m).

1 in. RAUPEX Red UV Shield Pipe

Article No.	Description	Package Quantity	Unit Weight		Minimum Order
			kg	lb	
235381-102	1 in. RAUPEX Red UV Shield Pipe, 100 ft coil (30.5 m)	100 ft	7.9	17.5	1 coil
235381-302	1 in. RAUPEX Red UV Shield Pipe, 300 ft coil (91.4 m)	300 ft	23.8	52.4	1 coil
235381-502	1 in. RAUPEX Red UV Shield Pipe, 500 ft coil (152.4 m)	500 ft	39.7	87.5	1 coil

Average 1 in. pipe capacity is 0.0316 US gallons per foot (0.3939 l/m).



RAUPEX Red UV Shield Pipe 20 ft Straight Lengths

Article No.	Description	Package Quantity	Unit Weight		Minimum Order
			Bag	kg	
235351-022	1/2 in. RAUPEX Red UV Shield Pipe, 20 ft (6.1 m)	50 pcs (1000 ft)	0.5	1.2	1 bag
235371-022	3/4 in. RAUPEX Red UV Shield Pipe, 20 ft (6.1 m)	25 pcs (500 ft)	1.0	2.2	1 bag
235381-022	1 in. RAUPEX Red UV Shield Pipe, 20 ft (6.1 m)	25 pcs (500 ft)	1.6	3.5	1 bag

Same average capacities as RAUPEX UV Shield Pipe sold in coils. Straight lengths are packaged in a single outer bag.



RAUPEX BLUE UV SHIELD PIPE

3/8 in. RAUPEX Blue UV Shield Pipe

Article No.	Description	Package Quantity	Unit Weight		Minimum Order
			kg	lb	
235331-501+	3/8 in. RAUPEX Blue UV Shield Pipe 500 ft coil (152.4 m)	500 ft	10.5	23.1	1 pallet/ 14,000 ft
235331-001+	3/8 in. RAUPEX Blue UV Shield Pipe 1000 ft coil (304.8 m)	1000 ft	21.0	46.2	1 pallet 9,000 ft

+ This item is not stocked. Lead times may vary.

Average 3/8 in. pipe capacity is 0.0050 US gallons per foot (0.0624 l/m).

1/2 in. RAUPEX Blue UV Shield Pipe

Article No.	Description	Package Quantity	Unit Weight		Minimum Order
			kg	lb	
235351-101	1/2 in. RAUPEX Blue UV Shield Pipe 100 ft coil (30.5 m)	100 ft	2.6	5.8	1 coil
235351-301	1/2 in. RAUPEX Blue UV Shield Pipe 300 ft coil (91.4 m)	300 ft	7.8	17.2	1 coil
235351-501	1/2 in. RAUPEX Blue UV Shield Pipe 500 ft coil (152.4 m)	500 ft	13.1	28.9	1 coil
235351-001	1/2 in. RAUPEX Blue UV Shield Pipe 1000 ft coil (304.8 m)	1000 ft	26.3	57.9	1 coil
235351-151	1/2 in. RAUPEX Blue UV Shield Pipe 500 ft (152.4 m)	5 (100 ft) coils/box	13.1	28.9	1 box
235351-351	1/2 in. RAUPEX Blue UV Shield Pipe 1500 ft (457.2 m)	5 (300 ft) coils/box	41.1	90.5	1 box

Average 1/2 in. pipe capacity is 0.0098 US gallons per foot (0.1222 l/m).

3/4 in. RAUPEX Blue UV Shield Pipe

Article No.	Description	Package Quantity	Unit Weight		Minimum Order
			kg	lb	
235371-101	3/4 in. RAUPEX Blue UV Shield Pipe, 100 ft coil (30.5 m)	100 ft	4.9	10.9	1 coil
235371-301	3/4 in. RAUPEX Blue UV Shield Pipe, 300 ft coil (91.4 m)	300 ft	14.7	32.3	1 coil
235371-501	3/4 in. RAUPEX Blue UV Shield Pipe, 500 ft coil (152.4 m)	500 ft	24.6	54.3	1 coil
235371-151	3/4 in. RAUPEX Blue UV Shield Pipe, 500 ft (152.4 m)	5 (100 ft) coils/box	24.6	54.3	1 box

Average 3/4 in. pipe capacity is 0.0189 US gallons per foot (0.2356 l/m).

1 in. RAUPEX Blue UV Shield Pipe

Article No.	Description	Package Quantity	Unit Weight		Minimum Order
			kg	lb	
235381-101	1 in. RAUPEX Blue UV Shield Pipe, 100 ft coil (30.5 m)	100 ft	7.9	17.5	1 coil
235381-301	1 in. RAUPEX Blue UV Shield Pipe, 300 ft coil (91.4 m)	300 ft	23.8	52.4	1 coil
235381-501	1 in. RAUPEX Blue UV Shield Pipe, 500 ft coil (152.4 m)	500 ft	39.7	87.5	1 coil

Average 1 in. pipe capacity is 0.0316 US gallons per foot (0.3939 l/m).



RAUPEX Blue UV Shield Pipe 20 ft Straight Lengths

Article No.	Description	Package Quantity Bag	Unit Weight		Minimum Order
			kg	lb	
235351-021	1/2 in. RAUPEX Blue UV Shield Pipe, 20 ft (6.1 m)	50 pcs (1000 ft)	0.50	1.2	1 bag
235371-021	3/4 in. RAUPEX Blue UV Shield Pipe, 20 ft (6.1 m)	25 pcs (500 ft)	1.0	2.2	1 bag
235381-021	1 in. RAUPEX Blue UV Shield Pipe, 20 ft (6.1 m)	25 pcs (500 ft)	1.6	3.5	1 bag

Same average capacities as RAUPEX UV shield pipe sold in coils. Straight lengths are packaged in a single outer bag.



RAUPEX WHITE UV SHIELD PIPE

1/2 in. RAUPEX White UV Shield Pipe

Article No.	Description	Package Quantity	Unit Weight		Minimum Order
			kg	lb	
235351-113	1/2 in. RAUPEX White UV Shield Pipe 100 ft coil (30.5 m)	100 ft	2.6	5.8	1 coil
235351-313	1/2 in. RAUPEX White UV Shield Pipe 300 ft coil (91.4 m)	300 ft	7.8	17.2	1 coil
235351-513	1/2 in. RAUPEX White UV Shield Pipe 500 ft coil (152.4 m)	500 ft	13.1	28.9	1 coil
235351-013	1/2 in. RAUPEX White UV Shield Pipe 1000 ft coil (304.8 m)	1000 ft	26.3	57.9	1 coil
235351-153	1/2 in. RAUPEX White UV Shield Pipe, 500 ft (152.4 m)	5 (100 ft) coils/box	13.1	28.9	1 box
235351-353	1/2 in. RAUPEX White UV Shield Pipe, 1500 ft (457.2 m)	5 (300 ft) coils/box	41.1	90.5	1 box

Average 1/2 in. pipe capacity is 0.0098 US gallons per foot (0.1222 l/m).

3/4 in. RAUPEX White UV Shield Pipe

Article No.	Description	Package Quantity	Unit Weight		Minimum Order
			kg	lb	
235371-113	3/4 in. RAUPEX White UV Shield Pipe, 100 ft coil (30.5 m)	100 ft	4.9	10.9	1 coil
235371-313	3/4 in. RAUPEX White UV Shield Pipe, 300 ft coil (91.4 m)	300 ft	14.7	32.3	1 coil
235371-513	3/4 in. RAUPEX White UV Shield Pipe, 500 ft coil (152.4 m)	500 ft	24.6	54.3	1 coil
235371-013	3/4 in. RAUPEX White UV Shield Pipe, 1000 ft coil (304.8 m)	1000 ft	48.9	108.0	1 coil
235371-153	3/4 in. RAUPEX White UV Shield Pipe, 500 ft coil (152.4 m)	5 (100 ft) coils/box	24.6	54.3	1 box

Average 3/4 in. pipe capacity is 0.0189 US gallons per foot (0.2356 l/m).

1 in. RAUPEX White UV Shield Pipe

Article No.	Description	Package Quantity	Unit Weight		Minimum Order
			kg	lb	
235381-113	1 in. RAUPEX White UV Shield Pipe, 100 ft coil (30.5 m)	100 ft	7.9	17.5	1 coil
235381-313	1 in. RAUPEX White UV Shield Pipe, 300 ft coil (91.4 m)	300 ft	23.8	52.4	1 coil
235381-513	1 in. RAUPEX White UV Shield Pipe, 500 ft coil (152.4 m)	500 ft	39.7	87.5	1 coil

Average 1 in. pipe capacity is 0.0316 US gallons per foot (0.3939 l/m).

1 1/4 in. RAUPEX White UV Shield Pipe

Article No.	Description	Package Quantity	Unit Weight		Minimum Order
			kg	lb	
132571-113	1 1/4 in. RAUPEX White UV Shield Pipe, 100 ft coil (30.5 m)	100 ft	11.4	25.0	1 coil

Average 1 1/4 in. pipe capacity is 0.0467 US gallons per foot (0.5827 l/m).

1 1/2 in. RAUPEX White UV Shield Pipe

Article No.	Description	Package Quantity	Unit Weight		Minimum Order
			kg	lb	
132581-113	1 1/2 in. RAUPEX White UV Shield Pipe, 100 ft coil (30.5 m)	100 ft	16.0	35.0	1 coil

Average 1 1/2 in. pipe capacity is 0.0650 US gallons per foot (0.8118 l/m).

2 in. RAUPEX White UV Shield Pipe

Article No.	Description	Package Quantity	Unit Weight		Minimum Order
			kg	lb	
132591-113	2 in. RAUPEX White UV Shield Pipe, 100 ft coil (30.5 m)	100 ft	27.4	60.0	1 coil

Average 2 in. pipe capacity is 0.1114 US gallons per foot (1.3906 l/m).



RAUPEX White UV Shield Pipe 20 ft Straight Lengths

Article No.	Description	Package Quantity Bag	Unit Weight		Minimum Order
			kg	lb	
235351-023	1/2 in. RAUPEX White UV Shield Pipe, 20 ft (6.1 m)	50 pcs (1000 ft)	0.50	1.2	1 bag
235371-023	3/4 in. RAUPEX White UV Shield Pipe, 20 ft (6.1 m)	25 pcs (500 ft)	1.0	2.2	1 bag
235381-023	1 in. RAUPEX White UV Shield Pipe, 20 ft (6.1 m)	25 pcs (500 ft)	1.6	3.5	1 bag
132571-023	1 1/4 in. RAUPEX White UV Shield Pipe, 20 ft (6.1 m)	5 pcs (100 ft)	2.3	5.0	1 bag
132581-023	1 1/2 in. RAUPEX White UV Shield Pipe, 20 ft (6.1 m)	5 pcs (100 ft)	3.2	7.0	1 bag
132591-023	2 in. RAUPEX White UV Shield Pipe, 20 ft (6.1 m)	5 pcs (100 ft)	5.5	12.0	1 bag

Same dimensions and capacities as RAUPEX UV shield pipe sold in coils. Straight lengths are packaged in a single outer bag.

RAUPEX NON-BARRIER PRE-SLEEVED PIPE

RAUPEX non-barrier pipe is now offered with a red or blue corrugated PE sleeve, where jurisdictional requirements for plumbing pipe are to be sleeved when buried in concrete or other substrate.

RAUPEX non-barrier pre-sleeved pipe is manufactured using REHAU's high-pressure peroxide method for crosslinked polyethylene (PEXa). All RAUPEX Non-barrier pre-sleeved pipe meets or exceeds the requirements of ASTM F876, F877, CSA B137.5 and PPI TR-3 and is certified to NSF Standards 14/61.

RAUPEX non-barrier pre-sleeved pipe is compatible with fittings certified to ASTM F2080 and CSA B137.5, brass crimp ring fittings certified to ASTM F1807.



1/2 in. RAUPEX Non-Barrier Pre-Sleeved Pipe

Article No.	Description	Package Quantity	Unit Weight		Minimum Order
			kg	lb	
202046-777	1/2 in. RAUPEX NB Pre-Sleeved Red, 8316 ft (2534.7 m)	36 (231 ft) coils	11.1	24.5	8316 ft
202046-888	1/2 in. RAUPEX NB Pre-Sleeved Blue, 8316 ft (2534.7 m)	36 (231 ft) coils	11.1	24.5	8316 ft

2.

INSTALLATION ACCESSORIES



Steel Support Bends

Article No.	Description	Package Quantity		Unit Weight		Minimum Order
		Box	Carton	g	lb	
258408	3/8 and 1/2 in. Steel Support Bend	10	50	50	0.10	1 box
257249	3/4 in. Steel Support Bend	10	50	150	0.32	1 box
261153	1 in. Steel Support Bend	5	50	380	0.84	1 box

Create 90° bends without fitting an elbow. 3/8, 1/2, 5/8 and 3/4 in. steel support bends create a 90° bend by quickly snapping over RAUPEX pipe. 1 in. steel support bends (not shown) slide onto pipe.



Steel Support Bend with Mounting Plate

Article No.	Description	Box Quantity	Unit Weight		Minimum Order
			g	lb	
266597	1/2 in. Steel Support Bend w/ Mounting Plate	25	69	0.15	1 box

This support bend with mounting plate is ideal for attaching RAUPEX pipe at wall penetrations where the pipe must be fastened securely to install a plumbing valve on the end. The mounting plate is 18 gauge steel, zinc-plated and fits flush behind drywall. The open end allows easy installation of 3/8 or 1/2 in. RAUPEX pipe. Mounting holes are 1/8 in. diameter.



Polymer Support Bends with Screw Hole

Article No.	Description	Box Quantity	Unit Weight		Minimum Order
			g	lb	
266207	3/8 and 1/2 in. Polymer Support Bend	50	40	0.08	1 box
266227	3/4 in. Polymer Support Bend	50	70	0.16	1 box
266237	1 in. Polymer Support Bend	50	100	0.22	1 box
266727	1 1/4 in. Polymer Support Bend	50	200	0.44	1 box

These reinforced polymer bend supports create 90° bends without an elbow, quickly snapping over RAUPEX pipe. "Ear" on the inside of the bend has a screw hole for secure mounting to a support or stud.



Rattle Bends

Article No.	Description	Box Quantity	Unit Weight		Minimum Order
			g	lb	
298676-001	3/8 and 1/2 in. Rattle Nail Bend	50	41	0.09	1 box
298686-001	3/8 and 1/2 in. Rattle Screw Support Bend	50	54	0.12	1 box
298696-001	3/8 and 1/2 in. Rattle Support Bend	50	36	0.08	1 box

These polymer support bends create a 90° bend by first sliding the rattle bend over the pipe. These pipes then can be bent in place to lock the rattle bend in position.



Galvanized Support Channel

Article No.	Description	Length		Package Quantity	Unit Weight		Minimum Order
		m	ft		kg	lb	
225527-001	3/4 in. Steel Support Channel	5.986	19.63	10 pcs/bundle	2.14	4.71	1 bundle
225537-001	1 in. Steel Support Channel	5.956	19.53	10 pcs/bundle	3.27	7.19	1 bundle
225547-001	1 1/4 in. Steel Support Channel	5.942	19.49	8 pcs/bundle	3.91	8.60	1 bundle
225557-001	1 1/2 in. Steel Support Channel	5.926	19.45	6 pcs/bundle	5.59	12.30	1 bundle
225567-001	2 in. Steel Support Channel	5.896	19.33	4 pcs/bundle	6.95	15.29	1 bundle

When the RAUPEX pipe is snapped into the steel support channel, the result is a rigid pipe matrix that is suitable for overhead applications.



PVC Bend Guides

Article No.	Description	Box Quantity	Unit Weight		Minimum Order
			g	lb	
266170	3/8 and 1/2 in. PVC Bend Guide	40	64	0.14	1 box
266175	5/8 and 3/4 in. PVC Bend Guide	30	142	0.31	1 box
266180	1 in. PVC Bend Guide	20	378	0.83	1 box

Create 90° bends without fitting an elbow by inserting RAUPEX pipe into these rigid plastic PVC Bend Guides. PVC Bend Guides provide protection at slab penetrations and create professional appearance at manifolds.



PE Protection Sleeve

Article No.	Description	Hole Size*	Package Quantity	Unit Weight		Minimum Order
				kg	lb	
236107	Protection Sleeve for 3/8 and 1/2 in. Pipe	1 in.	100 ft (30.4 m) coil	1.4	3.1	1 coil
236117	Protection Sleeve for 5/8 and 3/4 in. Pipe	1 1/4 in.	50 ft (15.2 m) coil	1.1	2.4	1 coil
236127	Protection Sleeve for 1 in. Pipe	1 1/2 in.	50 ft (15.2 m) coil	1.7	3.6	1 coil
236137	Protection Sleeve for 1 1/4 in. Pipe	2 in.	150 ft (45.7 m) coil	6.1	13.4	1 coil
236147+	Protection Sleeve for 1 1/2 in. Pipe	2 1/2 in.	100 ft (30.4 m) coil	7.8	17.2	1 coil
236157+	Protection Sleeve for 2 in. Pipe	3 in.	100 ft (30.4 m) coil	8.7	19.2	1 coil

+ This item is not stocked. Lead times may vary.

Protects RAUPEX pipe at slab and wall penetrations, expansion and construction joints, abrasive surfaces, and ultraviolet light (sunlight). Most sizes are slit for easier installation.

*This is the recommended hole size to be drilled for proper installation.



Locking Clips

Article No.	Description	Package Quantity	Unit Weight		Minimum Order
			g	lb	
261496+	3/8 in. Locking Clips	100/bag	4	0.01	1 bag
261556	1/2 in. Locking Clips	100/bag	5	0.01	1 bag
261516	3/4 in. Locking Clips	100/bag	7	0.02	1 bag
261566	1 in. Locking Clips	50/bag	12	0.03	1 bag
261576	1 1/4 in. Locking Clips	50/bag	12	0.03	1 bag
261586	1 1/2 in. Locking Clips	25/bag	18	0.04	1 bag
261596	2 in. Locking Clips	25/bag	30	0.07	1 bag

+ This item is not stocked. Lead times may vary. Minimum order quantities may vary.

Locking clips allow for rapid installation of RAUPEX pipe. Larger clips (1 to 2 in.) are for use with RAUPEX pipe or copper manifolds. Locking clips attach to surface with a screw or nail (not included). RAUPEX pipe or manifold snaps in place when pushed into clip, and can be removed without damaging clip.



Talon Drive Hooks

Article No.	Description	Package Quantity		Unit Weight		Minimum Order
		Bag	Box	g	lb	
260866	Twin Talon Drive Hooks	100/bag		6	0.01	1 bag
260846	Low Profile 3/8 in. Talons	100/bag		4	0.01	1 bag
261766	Low Profile 1/2 in. Talons	100/bag		4	0.01	1 bag
261776	Low Profile 5/8 and 3/4 in. Talons	50/bag		6	0.01	1 bag
261806	Low Profile 1 in. Talons	50/bag		10	0.02	1 bag

Talon drive hooks safely secure 3/8, 1/2, 5/8, 3/4 or 1 in. pipe to wood subfloors, joists or in joist cavities. Low profile talons secure pipe in sizes indicated and are ideal for use with wooden "sleeper" radiant installations. Barbed nails, pre-installed in plastic talon prevent nails from backing out.



Single Nail Clamps

Article No.	Description	Package Quantity		Unit Weight		Minimum Order
		Bag	Box	g	lb	
261746	Single Nail Clamp for 3/8 and 1/2 in. Pipe	100	1500	4	0.01	1 bag
261756	Single Nail Clamp for 3/4 in. Pipe	100	1000	5	0.01	1 bag

Completely encircles pipe. Pre-installed barbed nail prevents backout. Fast and easy to use.



Plastic Pipe Clamps

Article No.	Description	Package Quantity		Unit Weight		Minimum Order
		Bag	Box	g	lb	
282401	1 1/4 in. Plastic Pipe Clamp	50	800	16	0.04	1 bag
282411*	1 1/2 in. Plastic Pipe Clamp	25	600	20	0.05	1 bag
282421	2 in. Plastic Pipe Clamp	25	300	32	0.07	1 bag

* This item is not stocked. Lead times may vary. Minimum order quantities may vary.

Secures RAUPEX pipe to both wood and metal framework. Used in residential and commercial construction.



Isolating Suspension Clamps

Article No.	Description	Package Quantity		Unit Weight		Minimum Order
		Bag	Box	g	lb	
282431*	1 1/4 in. Isolating Suspension Clamp	50	800	15	0.03	1 bag
282441	1 1/2 in. Isolating Suspension Clamp	25	600	28	0.04	1 bag
282451	2 in. Isolating Suspension Clamp	25	300	23	0.05	1 bag

* This item is not stocked. Lead times may vary. Minimum order quantities may vary.

Secures RAUPEX pipe to both wood and metal framework. Used in residential and commercial construction.

3.

INSTALLATION TOOLS



RAUPEX Universal Uncoiler

Article No.	Description	Package Quantity	Unit Weight		Minimum Order
			kg	lb	
282191	RAUPEX Universal Uncoiler	1	40.8	90.0	1

Universal uncoiler dispenses RAUPEX pipe without twists or kinks. Pneumatic tires allow easy transportation over rough terrain. Pipe can be drawn off either vertically (as shown) or horizontally. Capable of holding up to 1,000 ft of 3/4 in. PEX. The uncoiler is less than 30 in. wide to get through doorways. Removable spool allows for convenient transportation to job sites.



RAUPEX Horizontal Uncoiler

Article No.	Description	Package Quantity	Unit Weight		Minimum Order
			kg	lb	
286151-001	RAUPEX Horizontal Uncoiler	1	13	28	1

Uncoiler dispenses RAUPEX pipe without twists or kinks. Pipe is drawn off horizontally. Uncoiler is capable of holding RAUPEX coils up to 1 in. diameter and folds for convenient transportation to job sites.



RAUPEX Cutters

Article No.	Description	Package Quantity	Unit Weight		Minimum Order
			kg	lb	
137495	RAUCUTTER for up to 1 in. RAUPEX	1	0.17	0.38	1
138062	Ratchet Cutter for up to 1 1/2 in. RAUPEX	1	0.41	0.90	1
139092	Large Ratchet Cutter for up to 63 mm RAUPEX	1	1.09	2.41	1

It is important to use a proper cutter when cutting RAUPEX pipes. RAUPEX cutters provide clean, square and accurate cutting of RAUPEX pipes in sizes indicated.

RAUPEX

Warranty

REHAU stands behind our products with a 25-year limited warranty on PEXa pipe and EVERLOC® fittings. www.na.rehau.com/warranties

Return Policy

Each return will be reviewed individually. No material may be returned without our written permission and return authorization number. Only catalogued and resalable items may be returned. The minimum return value will be \$100. Product and packaging has to be in resalable condition, all products returned to the distribution center are subject to quality inspection. Materials have to be in original clean and closed packaging (where applicable), boxes must have original labels, customer label must be removed prior to return. Any material which is authorized to be returned will be subject to a minimum twenty-five (25) percent restocking fee.

Sales Offices (Toll-free)

Canada Maritimes (800) 565-7342 · Québec (800) 361-0830 · Ontario (800) 561-9609 · Western Canada (800) 668-1173

United States Eastern US (800) 297-6371 · Western US (800) 944-1011

Mexico Northern Mexico (818) 121-0130 · Central and Southern Mexico (800) 917-3428

Central America Panama (507) 830-5257

For updates to this publication, visit na.rehau.com/resourcecenter

The information contained herein is believed to be reliable, but no representations, guarantees or warranties of any kind are made as to its accuracy, suitability for particular applications or the results to be obtained therefrom. Before using, the user will determine suitability of the information for user's intended use and shall assume all risk and liability in connection therewith. © 2014 REHAU Printed in Canada