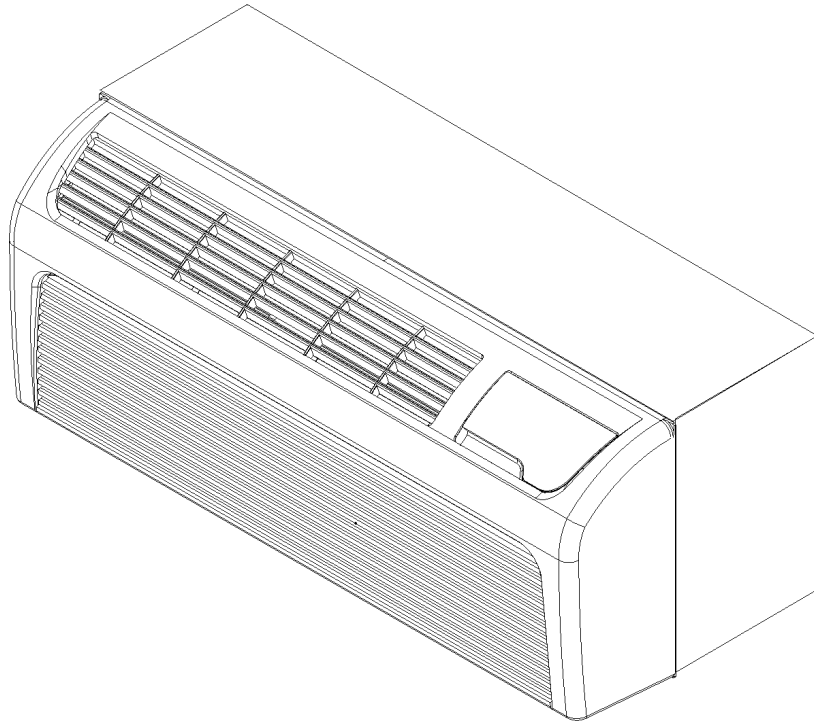


## PTC/H\*BP Packaged Terminal Air Conditioners & Heat Pumps

PTC093B00AMBP  
PTC093B00CMBP  
PTC093B25AMBP  
PTC093B35AMBP  
PTC093B35CMBP  
PTC093B50AMBP  
PTC094B25AMBP  
PTC094B35AMBP  
PTC094B35BMBP  
PTC094B35CMBP  
PTC094B50AMBP  
PTC123B00AMBP  
PTC123B25AMBP  
PTC123B35AMBP  
PTC123B35CMBP  
PTC123B50AMBP  
PTC123C25AMBP  
PTC123C35AMBP  
PTC124B15AMBP  
PTC124B25AMBP  
PTC124B25CMBP  
PTC124B35AMBP  
PTC124B35BMBP  
PTC124B50AMBP  
PTC124C35AMBP  
PTC124C35CMBP  
PTH123C25AMBP  
PTH123C35AMBP  
PTH124C35AMBP



Amana is a trademark of Maytag Corporation and used under license to Goodman Company, L.P. All rights reserved.

This manual is to be used by qualified technicians only.

This manual replaces RP-442B.

# Important Information

---

## Index

Functional Parts List .....	3
Illustration and Parts .....	4 - 9

*Views shown are for parts illustrations only, not servicing procedures.*

Rev. C: Added models PTC094B35CMBP and PTC124C35CMBP.

### Text Codes:

AR - As Required

NA - Not Available

NS - Not Shown

00000000 - See Note

QTY - Quantity Example (QTY 3) (If Quantity not shown, Quantity = 1)

M - Model Example (M1) (If M Code not shown, then part is used on all Models)

### Expanded Model Nomenclature:

Example
M1 - Model#1
M2 - Model#2
M3 - Model#3

Goodman Company, L.P. is not responsible for personal injury or property damage resulting from improper service. Review all service information before beginning repairs.

Warranty service must be performed by an authorized technician, using authorized factory parts. If service is required after the warranty expires, Goodman Company, L.P. also recommends contacting an authorized technician and using authorized factory parts.

Goodman Company, L.P. reserves the right to discontinue, or change at any time, specifications or designs without notice or without incurring obligations.

# Functional Parts

## Part

## No: Description:

CAP050150370RSS	CAPACITOR 5/15/370V (M1, M2, M3, M4, M5, M6)
CAP050150440RSS	CAPACITOR 5/15/440V (M7, M8, M9, M10, M11)
CAP050250440RSS	CAPACITOR 5/25/440V (M19, M20, M21, M22, M23, M24, M25, M26, M29)
CAP050300370RSS	CAPACITOR 5/30/370V (M12, M13, M14, M15, M16, M17, M18, M27, M28)
D6985807H	COMPRESSOR 2P17S3R236A (M12, M13, M14, M15, M16, M17, M18, M27, M28)
D6985810H	COMPRESSOR 2P17S3R276A (M19, M20, M21, M22, M23, M24, M25, M26, M29)
D6887711H	COMPRESSOR 2R13S3R236A (M1, M2, M3, M4, M5, M6)
D6887712H	COMPRESSOR 2R13S3R276A (M7, M8, M9, M10, M11)
PCBCP126S	CONTROL BOARD, M61 HYDRONIC
0131P00003S	FAN MOTOR 100 W, 2 SP, 6 PL (M11, M19, M20, M21, M22, M23, M24)
0131P00002S	FAN MOTOR 100 W, 2 SP, 6 PL (M6, M12, M13, M14, M15, M16)
0131P00000S	FAN MOTOR 40 W, 2 SP, 8 PL (M1, M2, M3, M4, M5, M17, M18, M27, M28)
0131P00001S	FAN MOTOR 40 W, 2 SP, 8 PL (M7, M8, M9, M10, M25, M26, M29)
A3410402	FUSE 15A (M7, M19, M20, M21)
A3410403	FUSE 20A (M8, M9, M10, M22, M23, M25, M26, M29)
A3410404	FUSE 25A (M11, M24)
22312902	HEATER 3 2.5 KW ASSY (M3, M13, M17, M27)
22312903	HEATER 3 3.5 KW ASSY (M4, M5, M14, M15, M18, M28)
22312904	HEATER 3 5.0 KW ASSY (M6, M16)
22312905	HEATER 4 1.5 KW ASSY (M19)
22312906	HEATER 4 2.5 KW ASSY (M7, M20, M21)
22312907	HEATER 4 3.7 KW ASSY (M8, M9, M10, M22, M23, M25, M26, M29)
22312908	HEATER 4 5.0 KW ASSY (M11, M24)
11172801	POWER VENT MOTOR (M9, M23)
C8873932	RELAY (M9, M23)
B1160701	TERMINAL BOARD (M9, M23)
0130P00038	THERMISTOR-DISCHARGE
20295709	THERMISTOR-HEAT PUMP (M27, M28, M29)
0130P00042	THERMISTOR-INDOOR AMBIENT (M1, M2, M3, M4, M5, M6, M7, M8, M9, M10, M11, M12, M13, M14, M15, M16, M19, M20, M21, M22, M23, M24)
0130P00043	THERMISTOR-INDOOR AMBIENT (M17, M18, M25, M26, M27, M28, M29)
0130P00033	THERMISTOR-INDOOR COIL (M17, M18, M25, M26, M27, M28, M29)

20295707	THERMISTOR-INDOOR COIL (M1, M2, M3, M4, M5, M6, M7, M8, M9, M10, M11, M12, M13, M14, M15, M16, M19, M20, M21, M22, M23, M24)
11172101	TRANSFORMER (M9, M23)
20512501	TRANSFORMER

### SPECIAL PARTS

20490201	INSPECTION SHEET-SLEEVE/DRAIN
IO-266	INSTALLATION INSTRUCTIONS-CHASSIS
RP-442C	REPAIR PARTS MANUAL
IO-293B	USERS MANUAL
IO-692	WIRING-DIAGNOSTIC (M1, M2, M3, M4, M5, M6, M7, M8, M10, M11, M12, M13, M14, M15, M16, M17, M18, M19, M20, M21, M22, M24, M25, M26, M27, M28, M29)
IO-693	WIRING-DIAGNOSTIC (M9, M23)

### Expanded Model Nomenclature

M1 - PTC093B00AMBP
M2 - PTC093B00CMBP
M3 - PTC093B25AMBP
M4 - PTC093B35AMBP
M5 - PTC093B35CMBP
M6 - PTC093B50AMBP
M7 - PTC094B25AMBP
M8 - PTC094B35AMBP
M9 - PTC094B35BMBP
M10 - PTC094B35CMBP
M11 - PTC094B50AMBP
M12 - PTC123B00AMBP
M13 - PTC123B25AMBP
M14 - PTC123B35AMBP
M15 - PTC123B35CMBP
M16 - PTC123B50AMBP
M17 - PTC123C25AMBP
M18 - PTC123C35AMBP
M19 - PTC124B15AMBP
M20 - PTC124B25AMBP
M21 - PTC124B25CMBP
M22 - PTC124B35AMBP
M23 - PTC124B35BMBP
M24 - PTC124B50AMBP
M25 - PTC124C35AMBP
M26 - PTC124C35CMBP
M27 - PTH123C25AMBP
M28 - PTH123C35AMBP
M29 - PTH124C35AMBP

# Front Assy/Chassis/Cap Weld/Compressor

Image 1

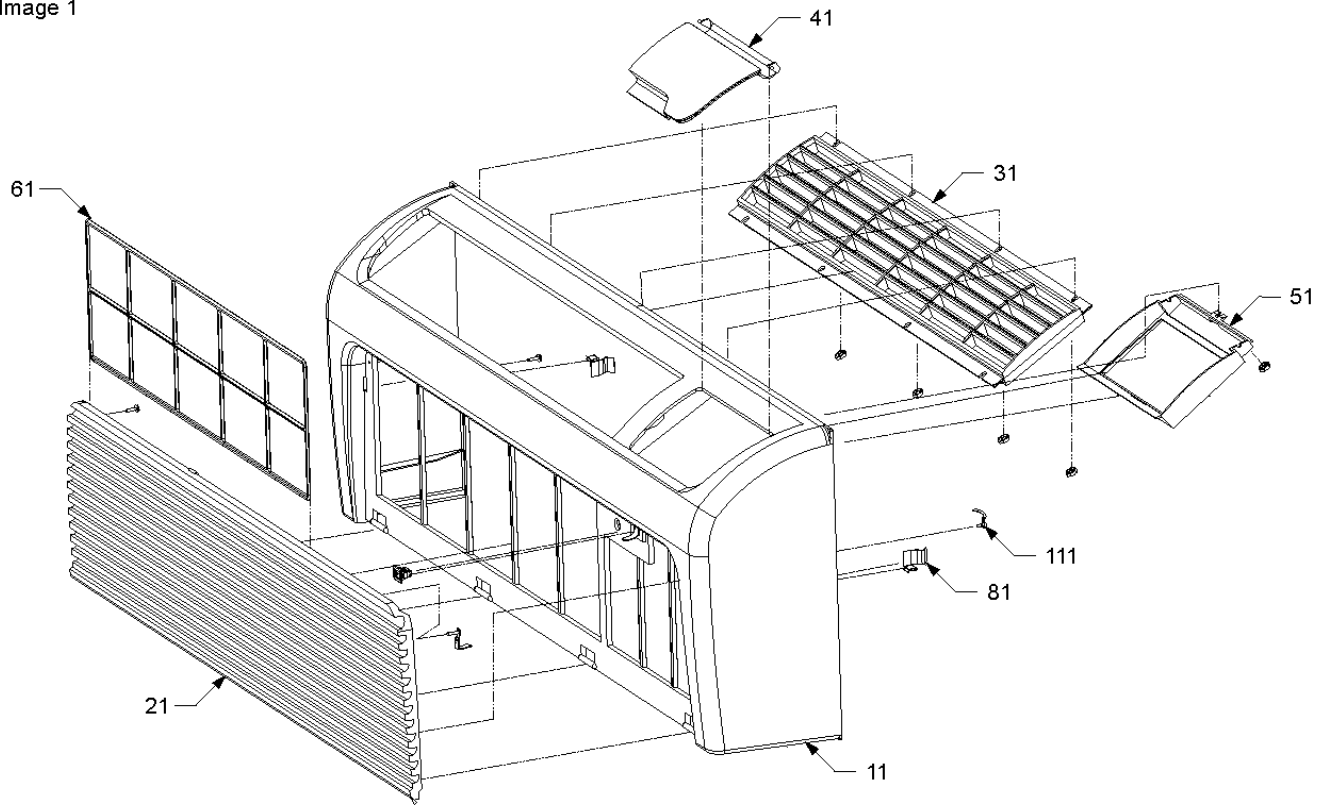
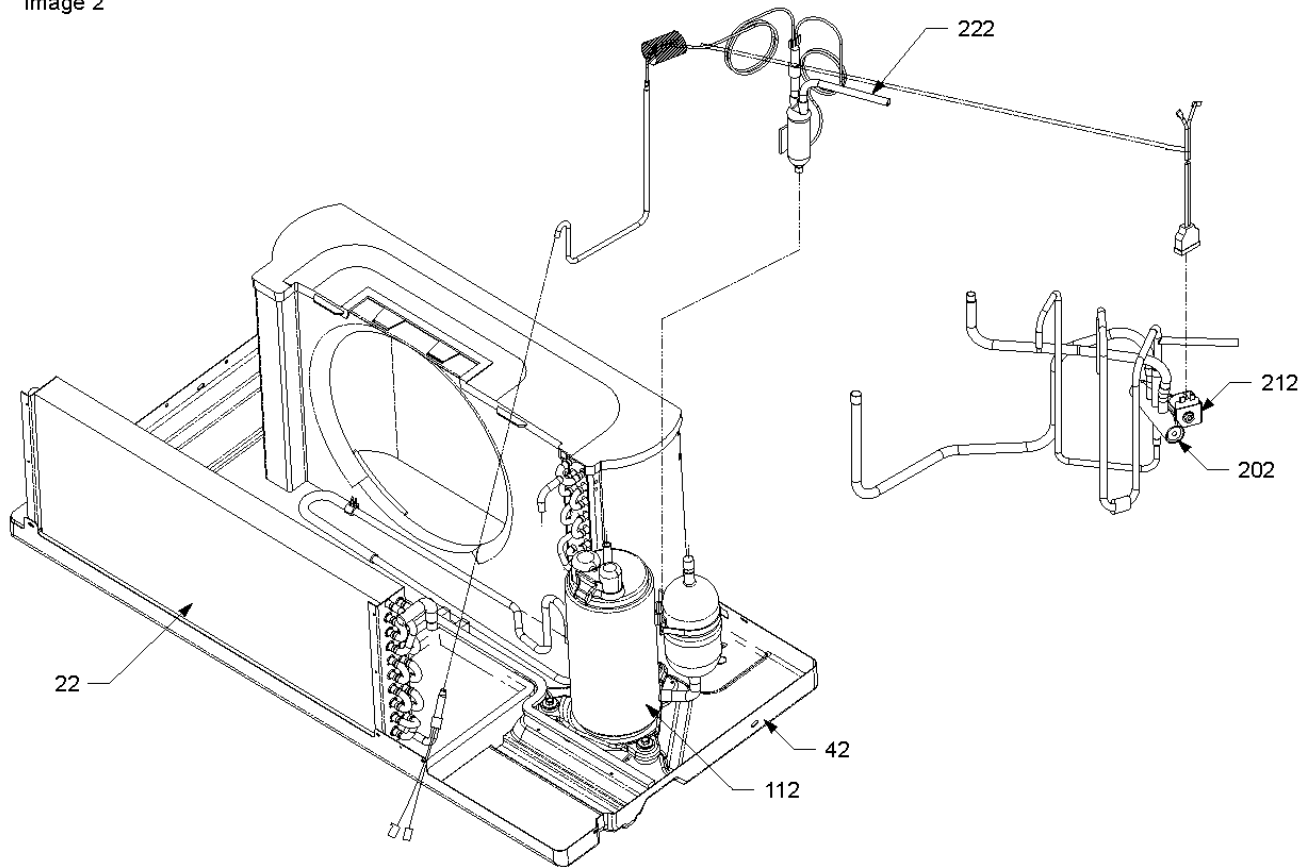


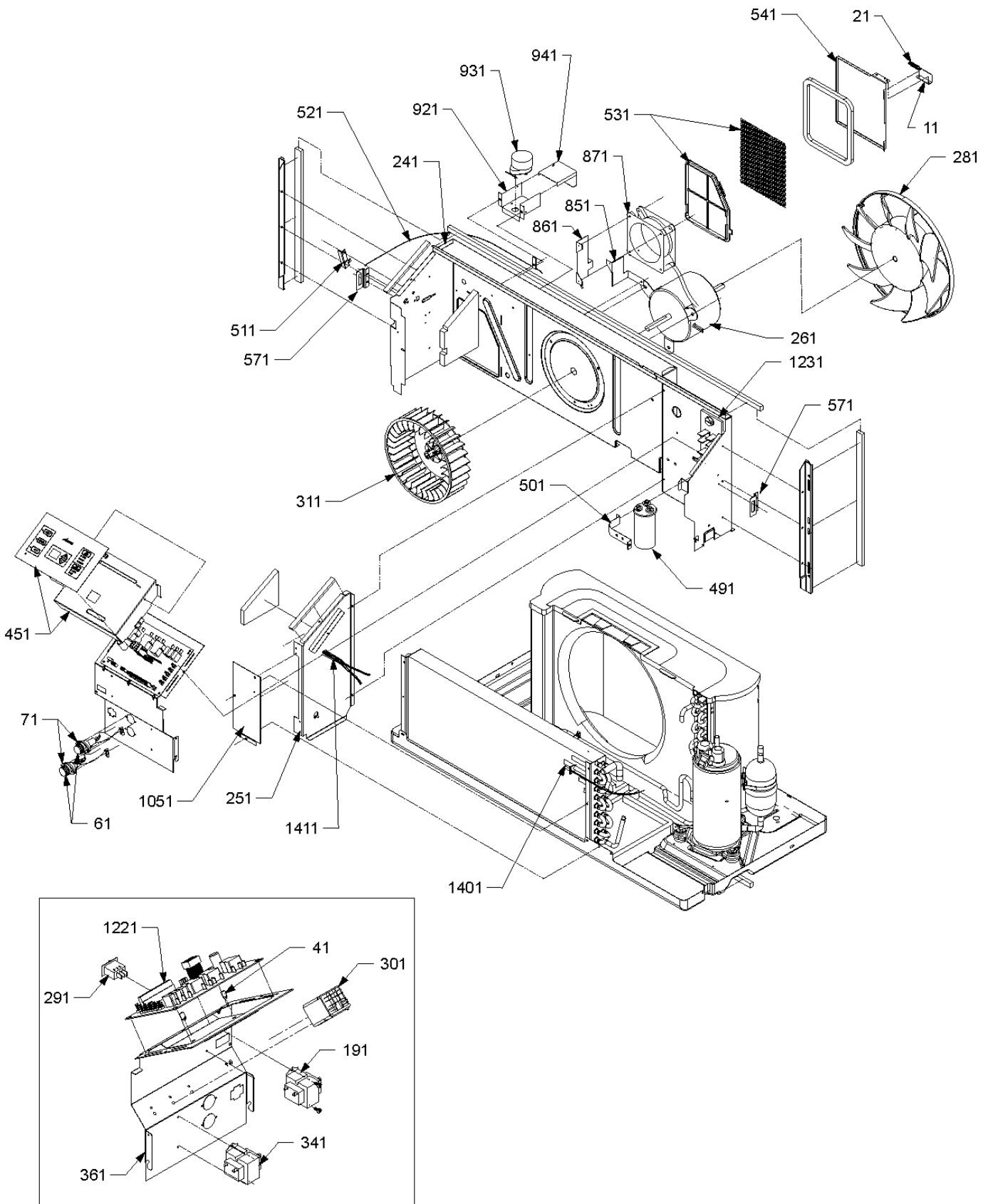
Image 2



# Front Assy/Chassis/Cap Weld/Compressor

Ref. Part No: No:	Description:	Ref. Part No: No:	Description:
<i>Image 1:</i>		Expanded Model Nomenclature	
11	0261P00000A FRONT FRAME	M1	PTC093B00AMBP
21	20415402 INTAKE GRILLE	M2	PTC093B00CMBP
31	20415301 EXHAUST GRILLE	M3	PTC093B25AMBP
41	20415901 DOOR ASSY	M4	PTC093B35AMBP
51	20415601 CONTROL HOUSING	M5	PTC093B35CMBP
61	20415801 FILTER	M6	PTC093B50AMBP
111	0161P00002P STRAP-INLET GRILLE RESTRAINT (QTY 2)	M7	PTC094B25AMBP
<i>Image 2:</i>		M8	PTC094B35AMBP
22	0202P00032S TUBING ASSY, EVAP COIL (M17, M18, M25, M26, M27, M28, M29)	M9	PTC094B35BMBP
22	20456702S TUBING ASSY, EVAP COIL (M12, M13, M14, M15, M16, M19, M20, M21, M22, M23, M24)	M10	PTC094B35CMBP
22	20457202S TUBING ASSY, EVAP COIL (M1, M2, M3, M4, M5, M6, M7, M8, M9, M10, M11)	M11	PTC094B50AMBP
42	20403508 BASEPAN	M12	PTC123B00AMBP
112	D6985807H COMPRESSOR 2P17S3R236A (M12, M13, M14, M15, M16, M17, M18, M27, M28)	M13	PTC123B25AMBP
112	D6985810H COMPRESSOR 2P17S3R276A (M19, M20, M21, M22, M23, M24, M25, M26, M29)	M14	PTC123B35AMBP
112	D6887711H COMPRESSOR 2R13S3R236A (M1, M2, M3, M4, M5, M6)	M15	PTC123B35CMBP
112	D6887712H COMPRESSOR 2R13S3R276A (M7, M8, M9, M10, M11)	M16	PTC123B50AMBP
202	0151P00000 REVERSING VALVE ASSY-230V (M27, M28)	M17	PTC123C25AMBP
202	0151P00001 REVERSING VALVE ASSY-265V (M29)	M18	PTC123C35AMBP
212	22322201 REVERSING VALVE COIL 230V (M27, M28)	M19	PTC124B15AMBP
212	22322202 REVERSING VALVE COIL 265V (M29)	M20	PTC124B25AMBP
222	0210P00023 CAPILLARY WELDMENT (M12, M13, M14, M15, M16, M19, M20, M21, M22, M23, M24)	M21	PTC124B25CMBP
222	0210P00040 CAPILLARY WELDMENT (M17, M18, M25, M26)	M22	PTC124B35AMBP
222	0210P00042 CAPILLARY WELDMENT (M27, M28, M29)	M23	PTC124B35BMBP
222	20469302 CAPILLARY WELDMENT (M1, M2, M3, M4, M5, M6, M7, M8, M9, M10, M11)	M24	PTC124B50AMBP
NS	D6961612 OVERLOAD (M12, M13, M14, M15, M16, M17, M18, M27, M28)	M25	PTC124C35AMBP
NS	D6961639 OVERLOAD (M1, M2, M3, M4, M5, M6)	M26	PTC124C35CMBP
NS	D6961642 OVERLOAD (M7, M8, M9, M10, M11)	M27	PTH123C25AMBP
NS	D6961643 OVERLOAD (M19, M20, M21, M22, M23, M24, M25, M26, M29)	M28	PTH123C35AMBP
NS	M0253610 SHOULDER SCREW (M12, M13, M14, M15, M16, M17, M18, M19, M20, M21, M22, M23, M24, M25, M26, M27, M28, M29)	M29	PTH124C35AMBP
NS	M0253661 SHOULDER SCREW (M1, M2, M3, M4, M5, M6, M7, M8, M9, M10, M11)		

# Chassis/Control Panel



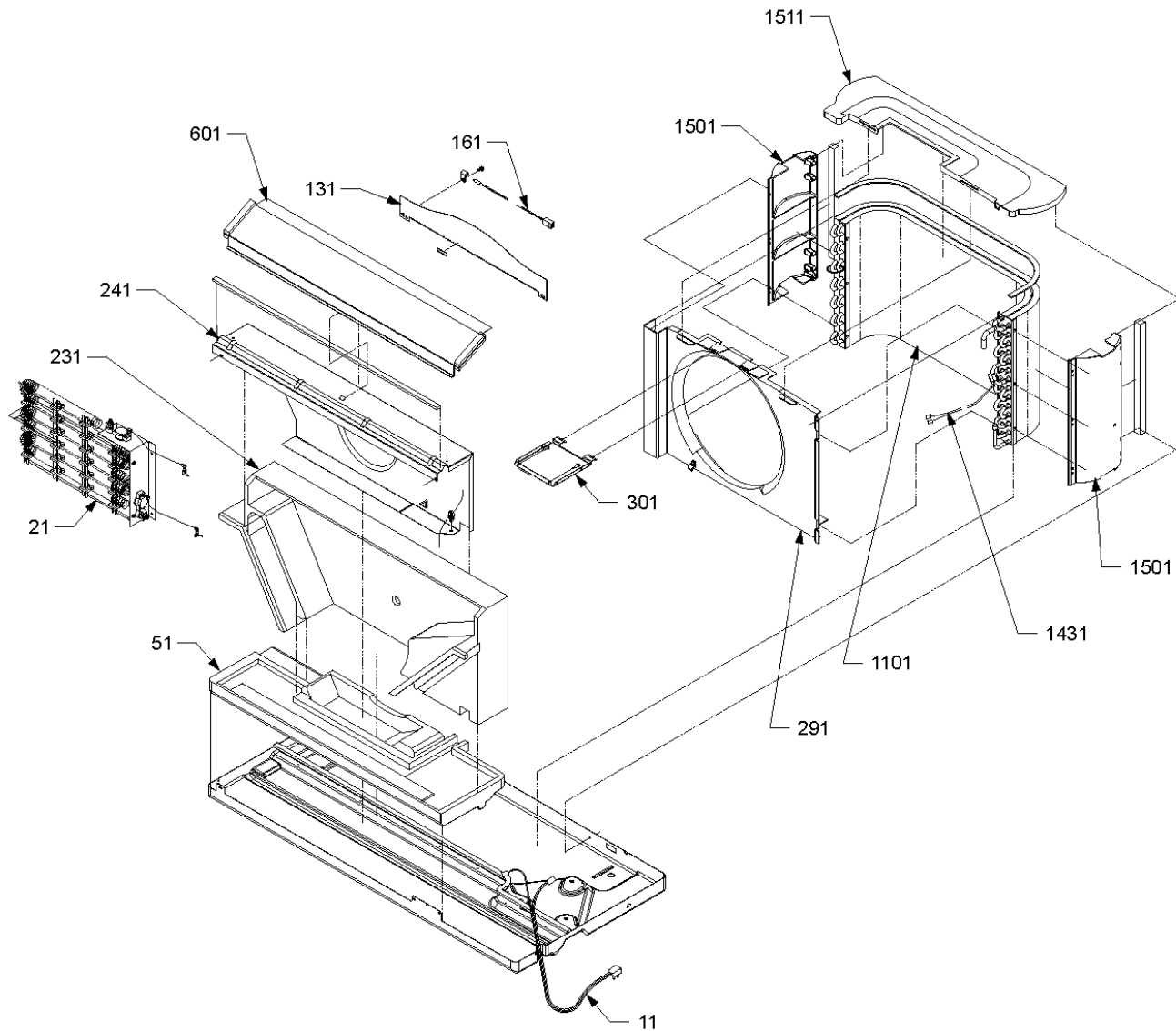
# Chassis/Control Panel

Ref. Part No:	No:	Description:	Ref. Part No:	No:	Description:
<i>Image 1:</i>			921	11166101	POWER VENT MOTOR BRACKET (M9, M23)
11	11166301	POWER VENT BRACKET (M9, M23)	931	11172801	POWER VENT MOTOR (M9, M23)
21	11166401	EXTENSION SPRING (M9, M23)	941	11166201	POWER VENT COVER BRACKET (M9, M23)
41	M0590702	SUPPORT (QTY 2)	1051	20410801	ACCESS COVER
61	C6476001	BAYONET FUSE HOLDER (M7, M19, M20, M21)	1221	PCBCP126S	CONTROL BOARD, M61 HYDRONIC
61	C6476002	BAYONET FUSE HOLDER (M8, M9, M10, M22, M23, M25, M26, M29)	1231	B1160701	TERMINAL BOARD (M9, M23)
61	C6476003	BAYONET FUSE HOLDER (M11, M24)	1401	0130P00042	THERMISTOR-INDOOR AMBIENT (M1, M2, M3, M4, M5, M6, M7, M8, M9, M10, M11, M12, M13, M14, M15, M16, M19, M20, M21, M22, M23, M24)
71	A3410402	FUSE 15A (M7, M19, M20, M21)	1401	0130P00043	THERMISTOR-INDOOR AMBIENT (M17, M18, M25, M26, M27, M28, M29)
71	A3410403	FUSE 20A (M8, M9, M10, M22, M23, M25, M26, M29)	1411	0130P00033	THERMISTOR-INDOOR COIL (M17, M18, M25, M26, M27, M28, M29)
71	A3410404	FUSE 25A (M11, M24)	1411	20295707	THERMISTOR-INDOOR COIL (M1, M2, M3, M4, M5, M6, M7, M8, M9, M10, M11, M12, M13, M14, M15, M16, M19, M20, M21, M22, M23, M24)
81	11045102	SIDE CLIP (QTY 2)			
191	11172101	TRANSFORMER (M9, M23)			
241	0121P00041	PARTITION PANEL			
251	20403301	MID PARTITION PANEL			
261	0131P00002S	FAN MOTOR 100 W, 2 SP, 6 PL (M6, M12, M13, M14, M15, M16)			
261	0131P00003S	FAN MOTOR 100 W, 2 SP, 6 PL (M11, M19, M20, M21, M22, M23, M24)			
261	0131P00000S	FAN MOTOR 40 W, 2 SP, 8 PL (M1, M2, M3, M4, M5, M17, M18, M27, M28)			
261	0131P00001S	FAN MOTOR 40 W, 2 SP, 8 PL (M7, M8, M9, M10, M25, M26, M29)			
281	20414601	CONDENSER FAN			
291	B1337701	PADDLE SWITCH (M9, M23)			
301	C8873932	RELAY (M9, M23)			
311	11044101	BLOWER WHEEL			
341	20512501	TRANSFORMER			
361	11044505	CONTROL PANEL			
451	RSKP0005	CONTROL PANEL COVER AND MEMBRANE			
491	CAP050150370RSS	CAPACITOR 5/15/370V (M1, M2, M3, M4, M5, M6)			
491	CAP050150440RSS	CAPACITOR 5/15/440V (M7, M8, M9, M10, M11)			
491	CAP050250440RSS	CAPACITOR 5/25/440V (M19, M20, M21, M22, M23, M24, M25, M26, M29)			
491	CAP050300370RSS	CAPACITOR 5/30/370V (M12, M13, M14, M15, M16, M17, M18, M27, M28)			
501	C6300502	CAPACITOR STRAP			
511	11046302	LEVER ARM (M1, M2, M3, M4, M5, M6, M7, M8, M10, M11, M12, M13, M14, M15, M16, M17, M18, M19, M20, M21, M22, M24, M25, M26, M27, M28, M29)			
521	11115401	CABLE (M1, M2, M3, M4, M5, M6, M7, M8, M10, M11, M12, M13, M14, M15, M16, M17, M18, M19, M20, M21, M22, M24, M25, M26, M27, M28, M29)			
531	20304003	PROTECTION SHIELD			
541	11046105PDG	VENT DOOR			
571	11191703	PARTITION PANEL BRACKET (QTY 2)			
851	11135801	FAN BRACKET RIGHT (M9, M23)			
861	11145801	FAN BRACKET LEFT (M9, M23)			
871	11149201	FAN MUFFIN (M9, M23)			

### Expanded Model Nomenclature

M1 - PTC093B00AMBP
M2 - PTC093B00CMBP
M3 - PTC093B25AMBP
M4 - PTC093B35AMBP
M5 - PTC093B35CMBP
M6 - PTC093B50AMBP
M7 - PTC094B25AMBP
M8 - PTC094B35AMBP
M9 - PTC094B35BMBP
M10 - PTC094B35CMBP
M11 - PTC094B50AMBP
M12 - PTC123B00AMBP
M13 - PTC123B25AMBP
M14 - PTC123B35AMBP
M15 - PTC123B35CMBP
M16 - PTC123B50AMBP
M17 - PTC123C25AMBP
M18 - PTC123C35AMBP
M19 - PTC124B15AMBP
M20 - PTC124B25AMBP
M21 - PTC124B25CMBP
M22 - PTC124B35AMBP
M23 - PTC124B35BMBP
M24 - PTC124B50AMBP
M25 - PTC124C35AMBP
M26 - PTC124C35CMBP
M27 - PTH123C25AMBP
M28 - PTH123C35AMBP
M29 - PTH124C35AMBP

# Chassis/Heater





# Chassis/Heater

Ref. Part No:	No:	Description:	Ref. Part No:	No:	Description:
<i>Image 1:</i>			Expanded Model Nomenclature		
11	0130P00006	CORD 250 VAC, 15A (LCDI) (M1, M2, M3, M12, M13, M17, M27)	M1 -	PTC093B00	AMBP
11	0130P00007	CORD 250 VAC, 20A (LCDI) (M4, M5, M14, M15, M18, M28)	M2 -	PTC093B00	CMBP
11	0130P00008	CORD 250 VAC, 30A (LCDI) (M6, M16)	M3 -	PTC093B25	AMBP
11	11114701	CORD 277 VAC, 20A (M7, M8, M9, M10, M19, M20, M21, M22, M23, M25, M26, M29)	M4 -	PTC093B35	AMBP
11	11114801	CORD 277 VAC, 30A (M11, M24)	M5 -	PTC093B35	CMBP
21	22312902	HEATER 3 2.5 KW ASSY (M3, M13, M17, M27)	M6 -	PTC093B50	AMBP
21	22312903	HEATER 3 3.5 KW ASSY (M4, M5, M14, M15, M18, M28)	M7 -	PTC094B25	AMBP
21	22312904	HEATER 3 5.0 KW ASSY (M6, M16)	M8 -	PTC094B35	AMBP
21	22312905	HEATER 4 1.5 KW ASSY (M19)	M9 -	PTC094B35	BMBP
21	22312906	HEATER 4 2.5 KW ASSY (M7, M20, M21)	M10 -	PTC094B35	CMBP
21	22312907	HEATER 4 3.7 KW ASSY (M8, M9, M10, M22, M23, M25, M26, M29)	M11 -	PTC094B50	AMBP
21	22312908	HEATER 4 5.0 KW ASSY (M11, M24)	M12 -	PTC123B00	AMBP
51	B20403802	EVAPORATOR PAD	M13 -	PTC123B25	AMBP
131	20515301	EXTERNAL BLOWER INTAKE	M14 -	PTC123B35	AMBP
161	0130P00038	THERMISTOR-DISCHARGE	M15 -	PTC123B35	CMBP
231	20356702	BLOWER SCROLL	M16 -	PTC123B50	AMBP
241	20364804	BLOWER INTAKE	M17 -	PTC123C25	AMBP
291	20401301	CONDENSER SHROUD	M18 -	PTC123C35	AMBP
301	11044201PDG	TIE BRACE	M19 -	PTC124B15	AMBP
301	11044201PDG	TIE BRACE (M2, M5, M10, M15, M26)	M20 -	PTC124B25	AMBP
601	11123911	DISCHARGE SCREEN	M21 -	PTC124B25	CMBP
1101	0201P00021BND	TUBING ASSY, COND COIL (M2, M5, M10)	M22 -	PTC124B35	AMBP
1101	0201P00022BND	TUBING ASSY, COND COIL (M15, M21)	M23 -	PTC124B35	BMBP
1101	0201P00026BND	TUBING ASSY, COND COIL (M27, M28, M29)	M24 -	PTC124B50	AMBP
1101	0201P00027BND	TUBING ASSY, COND COIL (M17, M18, M25)	M25 -	PTC124C35	AMBP
1101	20456602S	TUBING ASSY, COND COIL (M12, M13, M14, M16, M19, M20, M22, M23, M24)	M26 -	PTC124C35	CMBP
1101	20456603S	TUBING ASSY, COND COIL (M1, M3, M4, M6, M7, M8, M9, M11)	M27 -	PTH123C25	AMBP
1431	20295709	THERMISTOR-HEAT PUMP (M27, M28, M29)	M28 -	PTH123C35	AMBP
1501	20357001	CONDENSER SIDE COVER (QTY 2)	M29 -	PTH124C35	AMBP
1511	20396701	CONDENSER TOP COVER			