

5" Diameter MultiFit® Condenser Fan Motors

Replaces Hundreds of 1/4 - 1/12 HP Applications

Features:

- All angle mount
- Ball bearing
- Class B insulation
- Double sealed ball bearings
- Energy efficient PSC design \$
- Reversing plug
- Single speed
- 60° C ambient
- 60 HZ
- 36" leads
- 1/2" Dia. flatted shaf
- Totally enclosed
- Multi-horsepower, one simple connection
- Multi-mounting system

One simple connection eliminates having to select various speeds or change capacitor sizes.



HP	RPM	Speeds	Volts	Amps	Stock Number	Capacitor	Dim. Ref.	Notes
1/8, 1/10, 1/12	1075	1	208-230	0.9	9722	5MFD/370V	1	\$
1/4, 1/5, 1/6	1075	1	208-230	2.0	9723	7.5MFD/370V	2	\$
1/4, 1/5, 1/6	1625	1	208-230	1.6	9724	5MFD/370V	2	\$

3-in-1 Design

Approximate Speeds and Amps in Application

Stock Number 9722			Stock Number 9723			Stock Number 9724 NEW!		
HP	Approximate RPM	Approximate Amps	HP	Approximate RPM	Approximate Amps	HP	Approximate RPM	Approximate Amps
1/8	1075	0.9	1/4	1075	2.0	1/4	1625	1.6
1/10	1135	0.6	1/5	1145	1.2	1/5	1715	1.0
1/12	1155	0.5	1/6	1165	1.0	1/6	1759	0.7

MultiFit Multi-Mounting System Replaces:

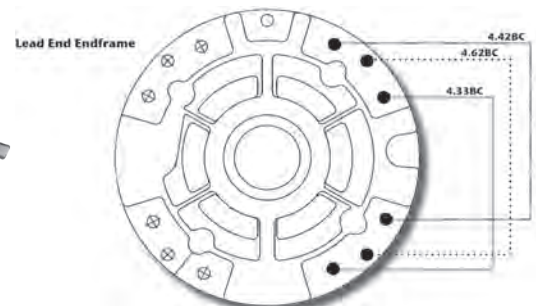
4.42BC
Century/Westinghouse Design
Emerson 42-Frame (5" dia.)

4.62BC
GE 42-Frame (5" dia.)
Fasco 42-Frame (5" dia.)

4.33BC
Emerson Clam-Shell
GE Cap-Can
Century/Universal Electric Design

Approximate Dimensions

Ref.	BM	C	N	T
1	4.0	7.5	3.0	.50
2	4.5	7.5	3.0	.50



Stock No. 2118

MultiFit® Adapter Plate

Adapts to a 48-Frame 5.15BC
Or 42-Frame 3-Point 4.42BC

(Available Separately)

