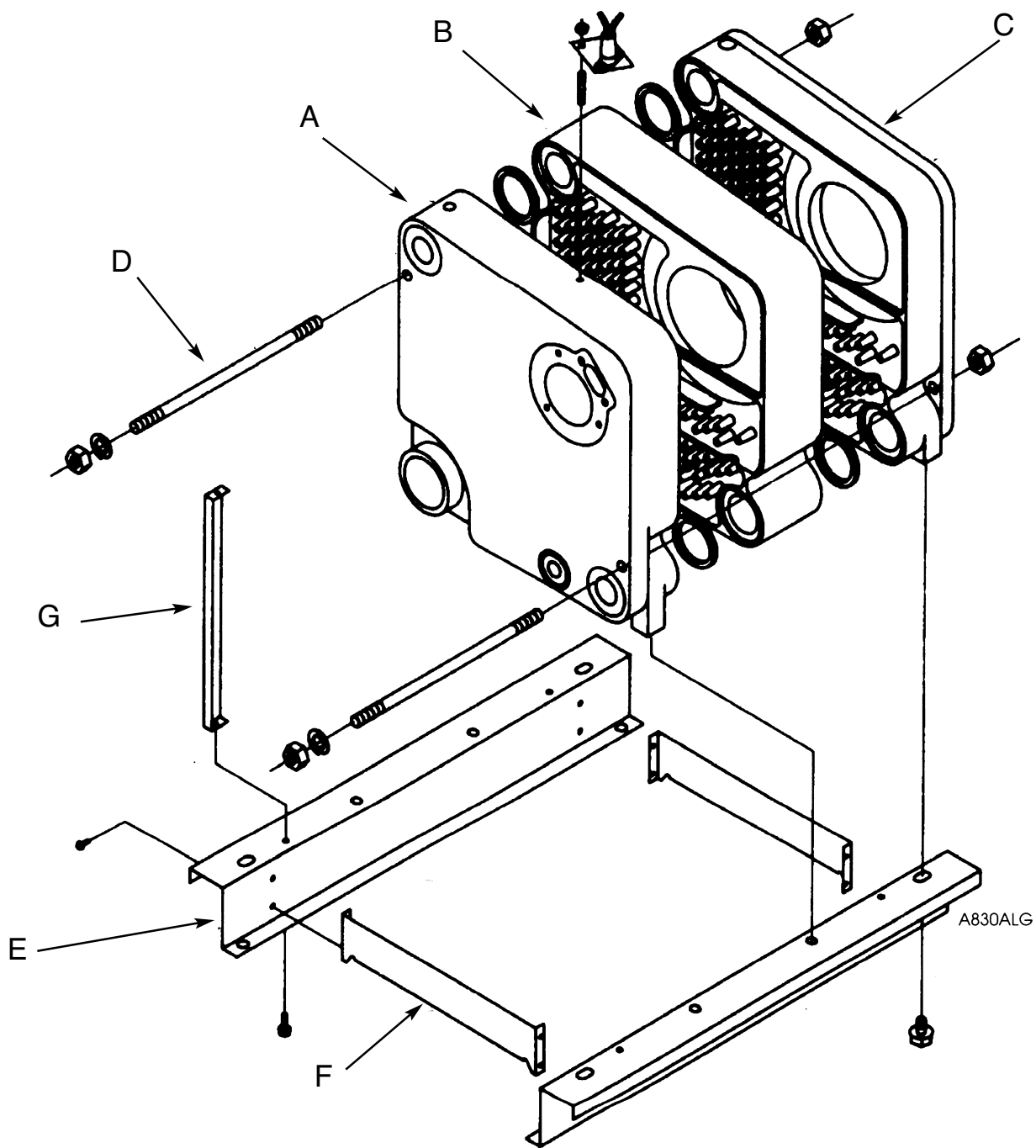


# GV Series 1 & 2 Section Assembly



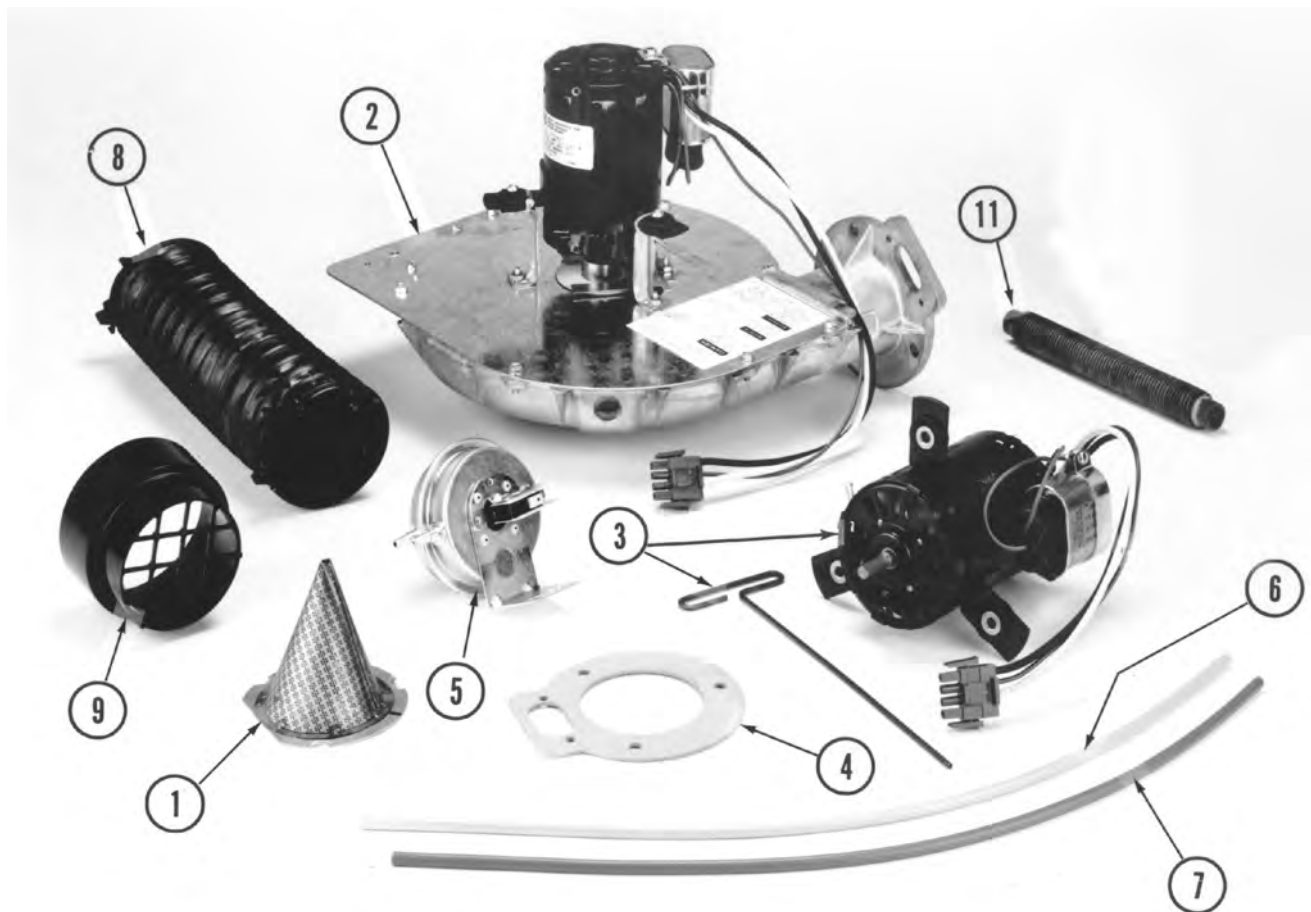
## GV Series 1 &amp; 2 Section Assembly

Fig. No.	Part No.	Description	Series No.	Notes
	Obsolete	Section Assembly, GV-3 (Repair Kit Required) (See Note 5)	1	
	Obsolete	Section Assembly, GV-4 (Repair Kit Required) (See Note 5)	1	
	Obsolete	Section Assembly, GV-5 (Repair Kit Required) (See Note 5)	1	
	Obsolete	Section Assembly, GV-6 (Repair Kit Required) (See Note 5)	1	
	322-200-240	Section Assembly, GV-3 (Repair Kit Required)	2	
	322-200-245	Section Assembly, GV-4 (Repair Kit Required)	2	
	322-200-250	Section Assembly, GV-5 (Repair Kit Required)	2	
	322-200-255	Section Assembly, GV-6 (Repair Kit Required)	2	
	382-200-390	Repair Kit, Section Assemblies (See Note 1)(When replacing block)	1,2	
A		Front Section 3914 (Repair Kit Required) Replaced by 312-200-140	1	
	312-200-140	Front Section 3914 (Repair Kit Required)	2	
B	312-200-110	Intermediate Section 3915 (Repair Kit required)	1,2	
C	312-200-130	Back Section 3918 (Repair Kit Required)	1,2	
	382-200-300	Repair Kit, Front Section (See Note 2)	1,2	
	382-200-305	Repair Kit, Intermediate/ Back Sections (See Note 3)	1,2	
D	560-234-499	7/16" Tie Rod w/o Nut (2 per Boiler): GV-3 (10-1/2")	1,2	
	560-234-525	7/16" Tie Rod w/o Nut (2 per Boiler): GV-4 (14")	1,2	
	560-234-503	7/16" Tie Rod w/o Nut (2 per Boiler): GV-5 (18")	1,2	
	560-234-504	7/16" Tie Rod w/o Nut (2 per Boiler): GV-6 (21")	1,2	
	561-928-235	Regular Hex Nut 7/16" (2 per Tie Rod)	1,2	
	562-248-684	Washer, Medium Plain Split Lock 7/16 (1 per Tie Rod)	1,2	
E	452-100-101	Base Rail Leg, GV-3	1,2	
	452-100-102	Base Rail Leg, GV-4	1,2	
	452-100-103	Base Rail Leg, GV-5	1,2	
	452-100-104	Base Rail Leg, GV-6	1,2	
F	452-100-080	Base Rail Brace	1,2	
G	452-100-111	Blower Housing Support	1,2	
	382-200-372	Mixing Valve Replacement Kit (No longer available)(See Note 4)	1	
	382-200-370	Mixing Valve Repair Kit (No longer available)(See Note 4)	1,2	
	511-210-455	Mixing Valve (No longer available)(See Note 4)	2	
H	382-200-375	Block Temperature Limit Switch 350° Open - 250° Close	1,2	
NS	591-126-812	Pump to return copper tubing – 1" (1" N.P.T. to 1" sweat copper adapter required, may be purchased locally)	1,2	

## NOTES:

- 1) Includes Water Tubing-Pump to Return, Male Adapter 1" N.P.T., Blower Flange Gasket, Igniter, Igniter Gasket, Screws, Studs, Nuts, Washers.
- 2) Includes 2" Square Cut Seals, Silicone Sealant, Tie Rod Washers, Water Tubing-Pump to Return, Male Adapters 1" N.P.T., Blower Flange Gasket, Igniter, Igniter Gasket, Screws, Studs, Washers, Nuts
- 3) Includes 2" Square Cut Seals, Silicone Sealant, Tie Rod Nuts, Tie Rod Washers (1 Kit per Joint)
- 4) See Weil McLain Technical Bulletin SB0401R1
- 5) Series 1 block assembly for GV boilers. Series 2 blocks can be used on Series 1 boilers. Only difference is bypass tapping on top of section is 3/4" with Series 2 block and 1/2" on Series 1 block. Use a 3/4" by 1/2" bushing or see Tch Bulletin SB0401R1 at our web site, [www.weil-mclain.com](http://www.weil-mclain.com)

### GV Series 1 & 2 Blower Assembly



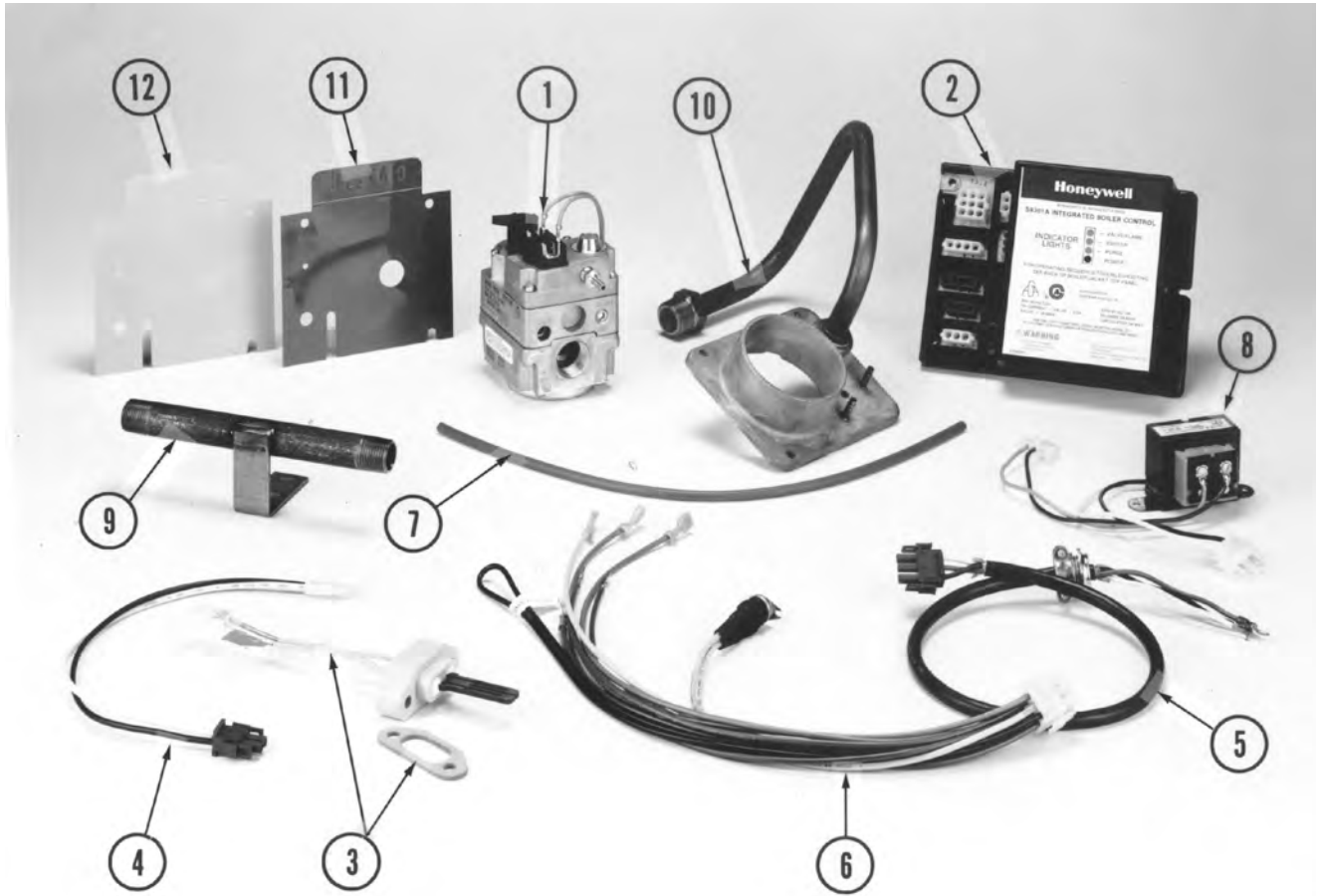
## GV Series 1 &amp; 2 Blower Assembly

Fig. No.	Part No.	Description	Mfr.	Mfr.'s Part No.	Notes
1	382-200-320	Burner Replacement Kit GV-3 (See Note 1)	Weil-McLain		
1	382-200-325	Burner Replacement Kit GV-4 (See Note 1)	Weil-McLain		
1	382-200-330	Burner Replacement Kit GV-5 (See Note 1)	Weil-McLain		
1	382-200-335	Burner Replacement Kit GV-6 (See Note 1)	Weil-McLain		
2	382-200-340	Blower Assembly Replacement Kit (See Note 2)	Weil-McLain		
3	382-200-345	Blower Motor Replacement Kit (See Note 3)	Fasco	7162-2941	
4	590-317-610	Blower Flange Gasket	Weil-McLain		
5	511-624-520	Pressure Switch (0-5500 Ft. Elevation)	Tridelta	FS6330-527	
	382-200-317	Pressure Switch Kit- 5500 to 10,000 Ft. Elevation	Tridelta	FS6330-1095	
6		Pressure Switch Tubing, 1/8" I.D. X 22", White (Use Sense Line Condensate Kit Below) (See Note 4)			
7		Pressure Switch Tubing, 1/8" I.D. X 22", Red (Use Sense Line Condensate Kit Below) (See Note 4)			
8	382-200-315	Inlet Air Hose Replacement Kit	Weil-McLain		
9	382-200-310	Inlet Air Fitting Replacement Kit (Includes Inlet Air Fitting with Grill)	Weil-McLain		
NS	382-200-350	Vent Ell Replacement Kit – Stainless Steel (includes vent ell, sealant, hose clamp, screws, instructions)	Weil-McLain		
11	382-200-385	Hose Trap Replacement Kit (Includes Hose Trap and 2 Wire Ties)	Weil-McLain		
	699-999-021	Retro Starter/ Termination Kit (See Note 5)	Saf-T Vent		
	382-200-430	Vent/Air Intake Termination Kit (Includes Intake/Exhaust Cap, Coupling, Mounting and Backing Plate, Exhaust Tube Spacer, Anchor Screws, Washers)	Weil-McLain		
	382-200-409	Sense Line Condensate Kit (See Note 4)	Weil-McLain		

## Notes:

1. Burner Replacement Kit includes: Burner Cone and Ring Assembly, Blower Flange Gasket, Igniter, Igniter Gasket, Ignitor Screws and Washers.
2. Blower Assembly Replacement Kit includes: Blower Housing, Observation Port Window, Blower Housing Cover Plate, Blower Motor Mounting Brackets, Washer Hold Down Bracket, Lock Nuts, Motor Mounts Grommets, Blower Motor, Blower Wheel, Magnetic Washer, Silicone Sealant, Screws, Blower Flange Gasket, Igniter, Igniter Gasket, Igniter Screws and Washers.
3. Blower Motor Replacement Kit includes: Blower Motor, Motor Mount Grommets, Screws, Lock Nuts, 9" Tee Alan Wrench.
4. Sense Line Condensate Kit includes Tube Assembly, 22" White with Trap, 22" Red with Trap, Tube Assembly 17" Red with Trap, Instruction.
5. Starter/Termination Kit includes: GV Standard Starter, Termination Coupling, Dow 732 Sealant, W-M Vent Instructions, GV Vent Ell, Intake/Exhaust Cap & Mounting Plate, Mounting Hardware.

# GV Series 1 & 2 Gas and Ignition Controls



## GV Series 1 &amp; 2 Gas and Ignition Controls

Fig. No.	Part No.	Description	Mfr.	Mfr.'s Part No.	Notes
1	382-200-410	Gas Valve Replacement Kit (See Note 1)	White-Rodgers	36E66-302	
	382-200-410	Gas Valve Replacement Kit (See Note 1)	White-Rodgers	36C98-303	
	382-200-410	Gas Valve Replacement Kit (See Note 1)	Robertshaw	7B9-B5L-016D	
2	382-200-448	Gold Module Conversion Kit	UT	1013-200	
3	511-330-148	Igniter Replacement Kit (Includes: Igniter & Gasket, Screws and Washers) Igniter is a Norton 271Y	Weil-McLain		
4	591-391-819	Wiring Harness, Control Module to Igniter	Weil-McLain		
5	591-391-821	Wiring Harness, Control Module to Junction Box	Weil-McLain		
6	591-391-820	Wiring Harness, Control Module to Thermostat, Block Switch, Limit, Pressure Switch and Gas Valve (Includes Block Switch)	Weil-McLain		
8	511-842-370	Control Transformer, 120/24 Volt with Plug-In Connectors	Honeywell	AT140B1297	
	511-842-370	Control Transformer, 120/24 Volt with Plug-In Connectors	Products Unlimited	#4000-01V18R223	
	511-842-370	Control Transformer, 120/24 Volt with Plug-In Connectors	Basler Electric	BE111640GDD	
9	591-126-800	Gas Supply Manifold w/Bracket	Weil-McLain		
10	382-200-355	Gas/Air Manifold Assembly (See Note 1)	Weil-McLain		
11	510-811-600	GV-3 Conversion Kit, Natural to Propane (Includes: Prop. Orifice Plate, Label)	Weil-McLain		
	510-811-605	GV-4 Conversion Kit, Natural to Propane (Includes: Prop. Orifice Plate, Label)	Weil-McLain		
	510-811-610	GV-5 Conversion Kit, Natural to Propane (Includes: Prop. Orifice Plate, Label)	Weil-McLain		
	510-811-615	GV-6 Conversion Kit, Natural to Propane (Includes: Prop. Orifice Plate, Label)	Weil-McLain		
12	510-811-620	GV-3 Conversion Kit, Propane to Natural (Includes: Nat. Orifice Plate, Label)	Weil-McLain		
	510-811-625	GV-4 Conversion Kit, Propane to Natural (Includes: Nat. Orifice Plate, Label)	Weil-McLain		
	510-811-630	GV-5 Conversion Kit, Propane to Natural (Includes: Nat. Orifice Plate, Label)	Weil-McLain		
	510-811-635	GV-6 Conversion Kit, Propane to Natural (Includes: Nat. Orifice Plate, Label)	Weil-McLain		
	590-317-599	Igniter Gasket	Weil-McLain		

## NOTES:

- 1) Gas Valve Replacement Kit Includes: Negative Regulation Gas Valve, " X ", Left Hand Thread on Outlet, 24 Volt, 13" W.C. Inlet Pressure Max. 4" W.C. Min., Natural or Propane Gas, Gas Pipe: Supply to Gas Valve with Bracket.
- 2) Gas/Air Manifold Assembly Includes: Manifold Die-Casting, Hose Barbs, "O" Rings, Gas Tubing with Fitting (Gas Valve to Gas/Air Manifold), Screws.

### GV Series 1 and 2 Trim



## GV Series 1 and 2 Trim

Fig. No.	Part No.	Description	Mfg.	Mfg's Part No.	Notes
1	510-312-021	High Limit Temperature Control, SPST, Automatic Recycle, 140-220 °F Range, 30°F Fixed Subtractive Differential, 1/2" N.P.T. Brass Control Well	Honeywell	L4080D1226	
2	511-546-920	ASME Pressure Relief Valve, Set to Relieve at 30 PSIG, 1/4" N.P.T. Male Inlet, Brass, Side Outlet	Watts	M330	
3	510-218-099	Combination Pressure-Temperature Gauge, 2-1/2" Dial, 0-60 PSIG, 70-250°F, Short Shank, Back Connection, 1/4" N.P.T.	ENFM	4104	
3	510-218-099	Combination Pressure-Temperature Gauge, 2-1/2" Dial, 0-60 PSIG, 70-250°F, Short Shank, Back Connection, 1/4" N.P.T.	Ametek	PT 1088	
4	511-210-423	Drain Valve, 1/4" N.P.T., 1-1/2" Shank, Brass	Conbraco	31-606-01	
5	511-405-113	Circulator, 1/25 HP, 120/60/1 Motor, 1,750 RPM, 0.75 Amps	Taco	007	
	511-405-116	Circulator, 1/12 HP, 120/60/1 Motor, 1,750 RPM	Taco	UN110	
	511-405-118	Circulator, 1/20 HP, 120/60/1 Motor, 1,750 RPM	B & G	NRF-22	
	511-405-115	Circulator, 1/12 HP, 120/60/1 Motor, 1,750 RPM	B & G	100 Series	
	511-405-126	Circulator, 1/25 HP, 120/60/1 Motor, 1,750 RPM	Grundfos	UP15-42FR	
6	590-317-535	Universal Circulator Gasket	Weil-McLain		
7	381-354-525	1" Universal Hardware Kit	Weil-McLain		
8	591-391-818	Wiring Harness, Control Module to Circulator	Weil-McLain		
NS	Obsolete	GV Mixing Valve Replacement Kit – Series 1 to Series 2 (Note 1)	Weil-McLain		
9	Obsolete	Mixing Valve – Series 2 only (Probe style) (no longer available) (Note 1)	McDonnell & Miller	400968	
10	Obsolete	Mixing Valve Repair Kit (Includes Element and Spring) (no longer available) (Note 1)	Weil-McLain		
11	382-200-375	Block Temperature Switch Replacement Kit (Includes Block Switch, Clip, Wire Nuts) 350° Open - 250° Close	Weil-McLain		
<b>ADDITIONAL WATER TRIM COMPONENTS</b>					
12	510-148-567	Automatic Air Vent, Float Type, 1/8" N.P.T. (Reducing Coupling Required)	Taco	400-3	
	561-013-849	Reducing Coupling, 1/2" X 1/8" N.P.T., for Taco Air Vent	Weil-McLain		
13	510-632-088	Fill-Trol Diaphragm Expansion Tank, (Tank Only) with "O" Ring and Machine Thread Connection to Fill Valve – for GV 3 - 5	Amtrol	109	
13	510-632-089	Fill-Trol Diaphragm Expansion Tank, (Tank Only) with "O" Ring and Machine Thread Connection to Fill Valve – for GV - 6	Amtrol	110	
14	511-210-433	Fill Valve, Angle Style-90°, with Built-In Strainer, Pressure Reducer, Check Valve, and Manual Shut-off	Conbraco	MX3907	
	382-200-420	Fill-Trol Package Tank Kit with Fittings – for GV 3 - 5	Amtrol	109	
	382-200-425	Fill-Trol Package Tank Kit with Fittings – for GV - 6	Amtrol	110	
	560-742-938	Copper return bend, 1", requires 2 – 1" N.P.T x 1" sweat adapters which can be obtained locally	Weil-McLain		

## NOTES:

- 1) For replacement of mixing valve see Weil McLain Technical Bulletin SB0401R1.



## GV Series 1 &amp; 2 Jackets

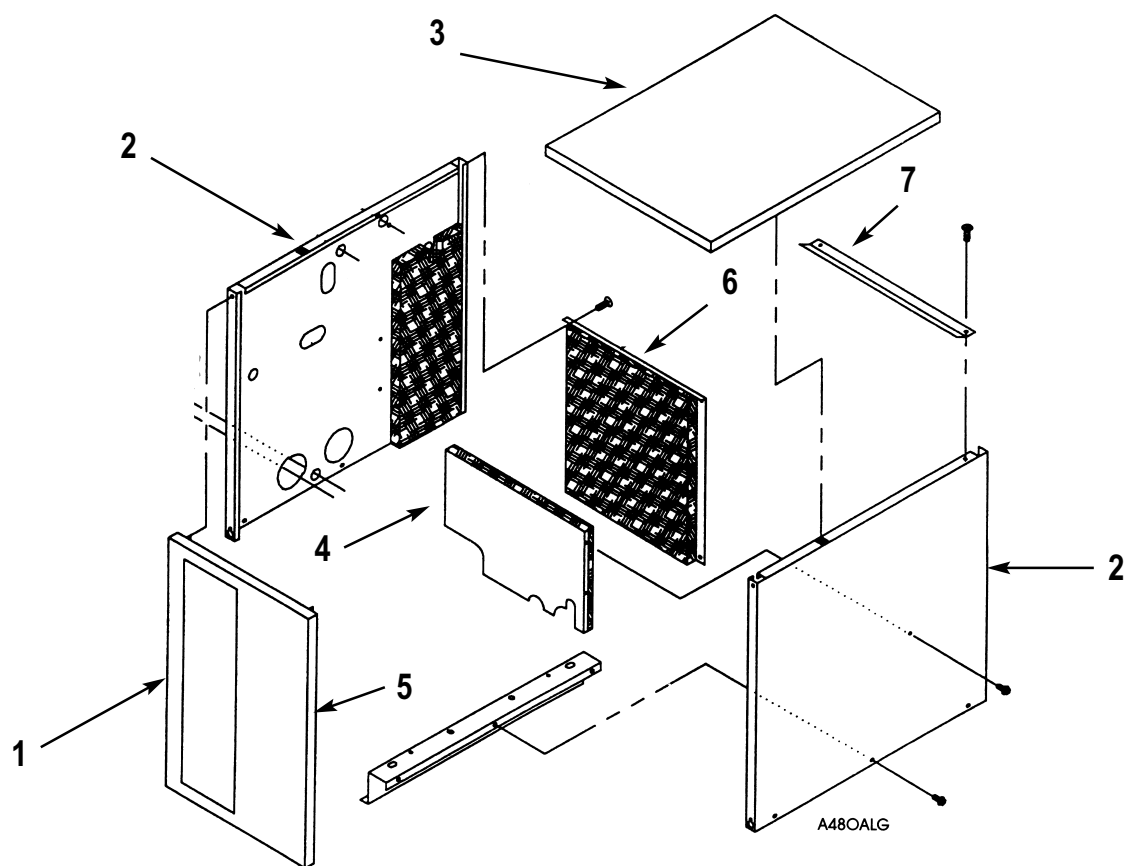


Fig. No.	Part No.	Description	Boiler Size	Notes
	569-928-025	Jacket Hardware Kit	3-6	
1	422-200-140	Jacket Panels, Front (order #5 if required)	3-6	
2		Jacket Panels, Left & Right (no longer available)	3	
		Jacket Panels, Left & Right (no longer available)	4	
		Jacket Panels, Left & Right	5	
		Jacket Panels, Left & Right	6	
3		Jacket Panel, Top	3	
	422-200-146	Jacket Panel, Top	4	
		Jacket Panel, Top	5	
	422-200-150	Jacket Panel, Top	6	
4		Jacket Panel, Interior	3-6	
5	422-200-139	Jacket Panel, Front Pocket (order with #1 if required)	3-6	
6	422-200-135	Jacket Panel, Back	3-6	
7	422-200-137	Jacket Panel, Cross Tie	3-6	
	592-000-000	Gold touch up paint, spray can		

Jacket Parts are obsolete. Remaining inventory will be sold.  
Parts with no numbers are not available call for availability.