



**NO:** 12-11  
**DATE:** 08/10/11  
**TO:** **EMERSON CLIMATE TECHNOLOGIES WHOLESALERS**  
**-EXECUTIVES**  
**-PRODUCT MANAGERS**  
**-EMERSON® TECHNICAL SPECIALISTS**  
**-BRANCH PERSONNEL**

**SUBJECT: LARGE CR\*\*KQ TRANSITION STRATEGY**

As Emerson continues to streamline and consolidate the CR product offering, several models will be transitioned over the next few months. Continue ordering the legacy models detailed in this communication. Emerson will supersede to the replacement models as legacy inventory is depleted. The shipping documents will detail that the new items have been shipped.

Legacy Models	Replacement Models for Mineral Oil
CR47KQ-PFV-980WB	CR47KQ-PFV-970
CR47KQ-TF5-980WB	CR47KQ-TF5-970
CR47KQ-TFD-980WB	CR47KQ-TFD-970
CR53KQ-PFV-980WB	CR53KQ-PFV-970
CR53KQ-PFV-966VD	CR53KQ-PFV-970*
CR53KQ-TF5-980WB	CR53KQ-TF5-970
CR53KQ-TF5-966VD	CR53KQ-TF5-970*
CR53KQ-TFD-980WB	CR53KQ-TFD-970
CR53KQ-TFD-966VD	CR53KQ-TFD-970*
	CR47KQE-PFV-970
	CR47KQE-TF5-970
	CR47KQE-TFD-970
CR53KQE-PFV-966VD	CR53KQE-PFV-970*
CR53KQE-TF5-966VD	CR53KQE-TF5-970*
CR53KQE-TFD-966VD	CR53KQE-TFD-970*

\*When using this for replacement for a -966VD compressor (or when it is used on an FGAH condensing unit) the 998-0334-00 rotalock adapter kit is required and should be purchased separately.

The new replacement models will have a -970 bill of material and will include a service kit packed with the compressor, including a wrap-around poly crankcase heater, terminal screws, ground screw, mounting parts and instructions.

See **Figure 1** for configuration details. See **Figure 2** for crankcase heater mounting location data. See **Figure 3** for a list of other components that may need to be ordered separately from Emerson's distribution center.

Figure 1 – Configuration Details

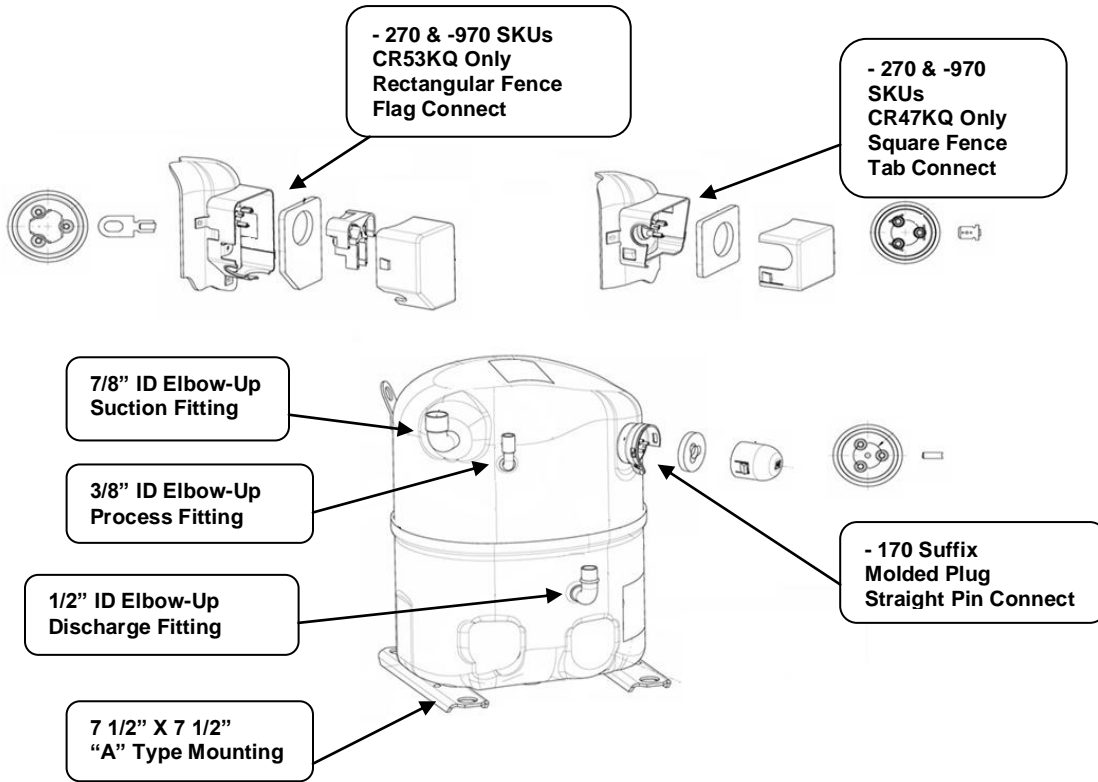
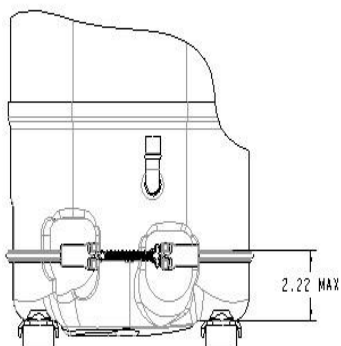


Figure 2: Heater Mounting Location



**Figure 3: Various Other Components That May Be Requested**

- Molded Plug: 529-0060-04
- Sweat Adapters: 536-0177-00 (2 elbows, 1 coupling)
- Mounting Parts: 527-0044-08, 527-0044-15, and 527-0044-00
- Poly Crank Case Heater: 918-0088-00 (for PFV, PFZ, PFJ, or TF5)  
918-0088-01 (for TFD, TFE)
- Rotalock Adapters: 998-0334-00
- 2 Port Service Valve Kit: 998-0510-90 7/8"ID or 998-510-69 5/8"ID
- Molded Plug Conduit Kit: 998-0529-02
- Conduit Box Crankcase Heater: 918-0076-02 (for PFV, PFZ, PFJ, or TF5)  
918-0076-03 (for TFD, TFE)
- Electrical Components:

<b>Models</b>	<b>Start Cap</b>	<b>Run Cap</b>	<b>Relay</b>
CR47KQ-PFV & CR47KQE-PFV	914-0006-03	914-0037-19	940-0001-59
CR53KQ-PFV & CR53KQE-PFV	914-0006-03	914-0037-22	940-0001-59

In the Fall of 2011 we will supersede any new orders for the legacy models to the new replacement models. 2012 Preseason orders and any regular orders will be changed to the new model numbers.

Contact your Distribution Services Sales Manager or Customer Service with any questions regarding this information.