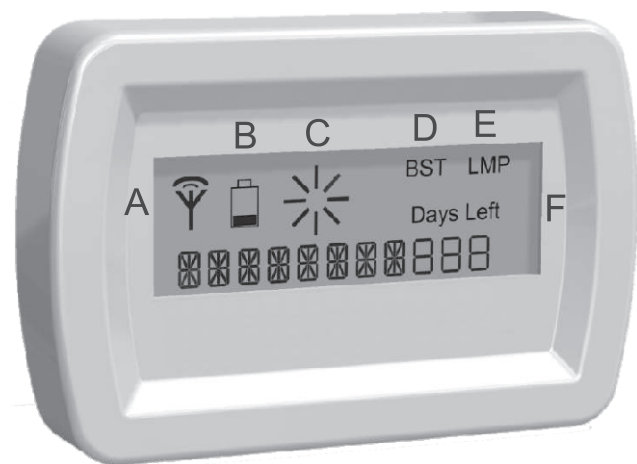


UNDERSTANDING REMOTE LCD DISPLAY



- A. Antenna: Wireless signal
- B. Battery: Battery needs replacing
- C. Sterilizing 'ON' animation
- D. Ballast Out: Possible Ballast failure. A "Contact" message will appear at the top of the screen. An "EC3" Error Code message will also appear on the screen.
- E. UV Lamp Out: Possible UV Lamp failure, or UV Lamp is not plugged in. A "Contact" message will appear at the bottom of the screen. An "EC2" Error Code message will also appear on the screen.
- F. Days Left: A Feature that will monitor UV usage and notify after 1 year when it is time to replace the UV lamp. A "Contact" message will appear at the top of the screen.

Ballast Operation, LED Notification & Reset

The 24V ballast is equipped with an LED status notifying the user of various system conditions. The LED notifications work as follows:

RESET BUTTON: To reset an Error Code, press RESET button shorter than 3 sec. Following a lamp replacement, press RESET Button for 3 seconds to reset the 1 year timing function.

Maintenance

Disconnect all power before performing any maintenance or service. The Ultraviolet lamp should be cleaned every two to three months. To clean, disconnect white socket from lamp. Loosen the 2 screws on the retainer ring. Turn retainer ring left. Pull out retainer ring and pull lamp out. Wipe lamp with a soft tissue and alcohol based solution. Reverse the above procedure to reinstall the lamp. Lamps need periodic replacement to maintain design specifications. Replace lamps after 1 year of operation. Follow instructions for Ballast Operation (above) on how to reset the timer feature. Contact a local dealer for replacement lamps.

Warranty

UV Lamp & LCD Display, 1 year warranty. Ballast, 5 year warranty.

FCC Regulations

This device complies with part 15 of the FCC Rules. Operation is subject to the following two conditions: (1) This device may not cause harmful interference, and (2) this device must accept any interference received, including interference that may cause undesired operation.

Information to user

Caution the user that changes or modifications not expressly approved by the party responsible for compliance could void the user's authority to operate the equipment.

NOTE: This equipment has been tested and found to comply with the limits for a Class B digital device, pursuant to part 15 of the FCC Rules. These limits are designed to provide reasonable protection against harmful interference in a residential installation. This equipment generates, uses and can radiate radio frequency energy and, if not installed and used in accordance with the instructions, may cause harmful interference to radio communications. However, there is no guarantee that interference will not occur in a particular installation. If this equipment does cause harmful interference to radio or television reception, which can be determined by turning the equipment off and on, the user is encouraged to try to correct the interference by one or more of the following measures: —Reorient or relocate the receiving antenna. —Increase the separation between the equipment and receiver. —Connect the equipment into an outlet on a circuit different from that to which the receiver is connected. —Consult the dealer or an experienced radio/TV technician for help.

Notice

This device complies with Industry Canada licence-exempt RSS standard(s). Operation is subject to the following two conditions: (1) this device may not cause interference, and (2) this device must accept any interference, including interference that may cause undesired operation of the device.

<p>System OK LED Solid</p> <p>Lamp > 8,700 hrs. (time to replace UV Lamp) LED FLASH 1 sec. / OFF 1 sec. Repeat.</p> <p>Lamp Fail (EC2) LED FLASH 2X / pause 1 sec. Repeat.</p> <p>Ballast Fail (EC3) LED FLASH 3X / pause 1 sec. Repeat.</p> <p>Low Voltage (under 18V)* (EC4) LED FLASH 4X / pause 1 sec. Repeat.</p> <p>High Voltage (over 30V)* (EC5) LED FLASH 5X / pause 1 sec. Repeat.</p> <p><i>*Connect w/ step-down transformer. Sold separately.</i></p>

WARNING

Before installing or performing maintenance or service on the purifier, turn off unit and disconnect from power source. Electrical shock can cause injury or death. There may be more than one disconnect switch.

Never expose eyes or skin to ultraviolet light from any source. The Purifier MUST be DISCONNECTED from power source before performing maintenance or service. Personal injury may result.

Do not touch Lamp glass without gloves. Reduced performance of Lamp may result. Clean Lamp after handling.

The UV Lamp contains a small quantity of mercury. If a Lamp breaks, clean and dispose of with care.

Use only specified replacement Lamps with your Purifier. Use of an incorrect Lamp can result in damage to the Purifier and/or Lamp.

UV rays may destroy certain type of filters (polymer or plastic), please keep units away from shinning directly on plastic.

NOTICE

UV lamp can be disposed/recycle after use as for any other fluorescent bulb.



**Follow all safety codes.
Wear safety glasses and work gloves.**

PLEASE SAVE FOR YOUR RECORDS

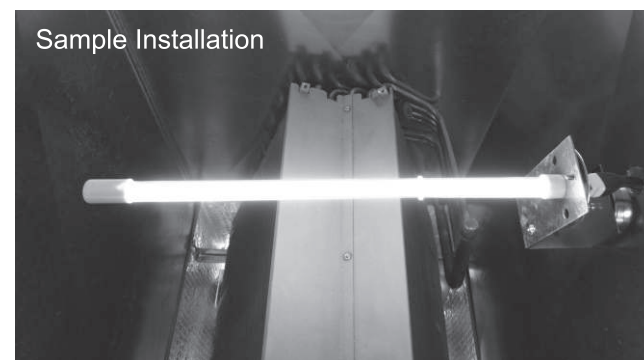
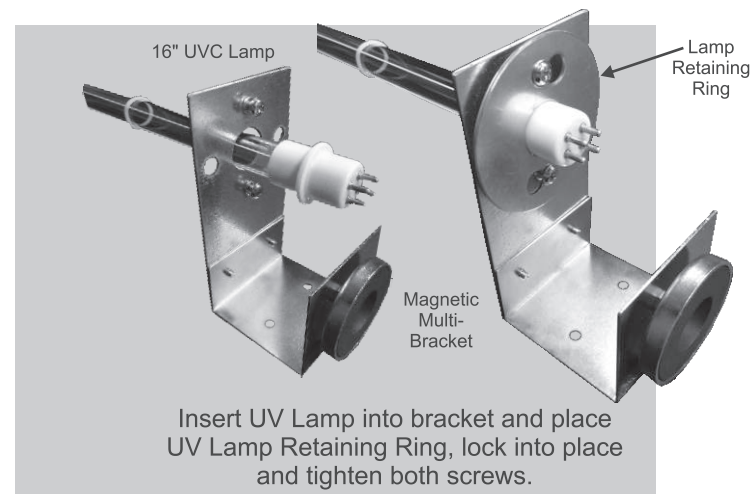
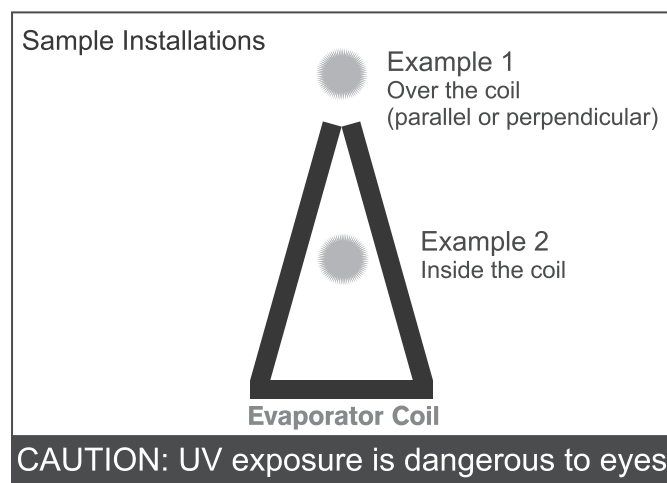
Date Code# _____

Date Installed: _____

Installed By: _____

Installers Contact info.: _____

1. Disconnect power to the HVAC unit.
 2. Remove the ballast, brackets, **UV lamp retaining ring**, view port and UV lamp from the package.
 3. Locate the ballast so that there is sufficient cable to attach to the UV lamp when it is installed.
 4. The two piece lamp bracket is used to hold the lamp. Depending on the type of coil and the location of the UV light on the coil will determine if one or both pieces of the bracket are used. The UV lamp will be installed either with the lamp on top of the coil or the lamp inside the coil.
 5. The Main Bracket can be mounted to the side of the coil allowing the UV lamp to be inserted in-between or over the coil. Drill a 1" diameter hole in the sheet metal to allow the UV lamp to pass and mount the Main Bracket to the side of the coil using the two included sheet metal screws. Once installed use the round metal **lamp retaining ring** to lock the lamp in place and tighten the two screws.
- Use of Magnetic Multi-Bracket: *The Magnetic Multi-Bracket allows for various lamp installations. Inspect the ideal location for the UV lamp system and use the Main Bracket and Magnetic Multi-Bracket together if desired.*
6. Connect the plug onto the lamp pins. The plug is designed so that it can only be installed one way. You may have to rotate the socket 90 degrees to line up the pins with the holes.
 7. Drill a ¼ inch hole on the outside of the plenum on one side of the coil and install the view port. When the UV lamp is operational, the glow of the lamp will be visible through this port.
 8. Connect the black and white wires to the 24 V AC terminals on the HVAC equipment.
 9. Reconnect power to the HVAC unit.



REPLACEMENT PARTS

Lamp: LMPRGPT160T5
 Ballast: BST24G48ETR
 LCD Display: WREMOTE
 Battery type: AA(2)

Pairing the LCD Display with the Ballast / UV Lamp

1. Remove LCD Display cover by pressing tab with a flat-head screwdriver located at the bottom of the LCD Display. (Figure A.)
2. Separate cover from housing. (Figure B.)
3. Insert the included two (2) AA batteries. The LCD Screen will show "NOT PAIRED"
4. With the LCD Display cover removed, press the black button to enter into "PAIRING" mode. Once in pairing mode, press the reset button on the black Saber PRO Wireless ballast. Both the ballast and LCD should be within a few feet of each other. (Figure C.)
5. Once the ballast and LCD Display are paired, information will be displayed on the LCD screen providing real-time system status. (Figure D.)



Figure A.



Figure B.

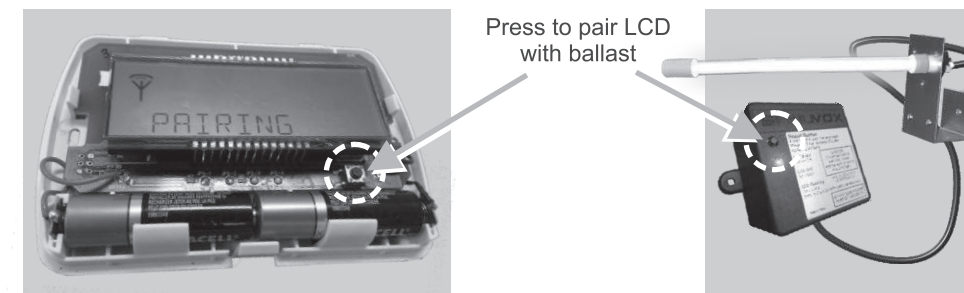


Figure C.



Figure D.

Placement of the LCD Display

1. The LCD Display and ballast communicate wirelessly
2. The range between the ballast and display can be up to 60 feet. Layout of the home such as walls, floors and various materials such as concrete, wood, etc. may reduce the range of the signal. The ballast transmit data periodically. Before mounting the LCD Display to a wall, first make sure there is a connection between the ballast and display at desired location before mounting on wall. If the distance is too much the LCD will display "NO SIGNAL".
3. To confirm the communication, press the pairing button on the LCD Display again. It shows "Pairing" on the screen and if communication is re-established, it will show real time status (Figure D).
4. Once there is a confirmed connection, the LCD Display can be mounted to any wall in the home using the included screws.

