

REPAIR PARTS

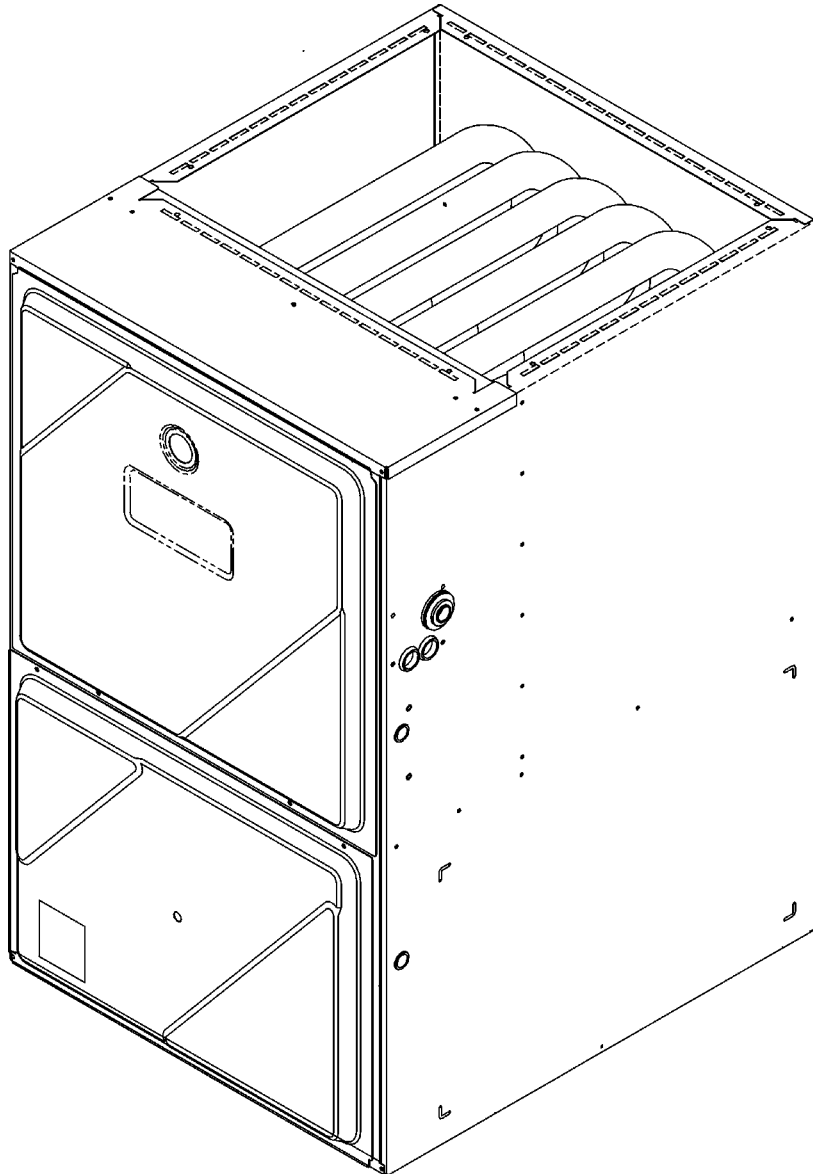
*CVC95 C'Flow Variable Speed Furnace

ACVC950714CXBA

ACVC950915DXBA

GCVC950714CXBA

GCVC950915DXBA



This manual is to be used by qualified technicians only.

© 2012 Goodman Manufacturing Company, L.P. ♦ 5151 San Felipe, Suite 500 ♦ Houston, TX 77056

Important Information

Index

Functional Parts List	3
Illustration and Parts	4 - 11

Views shown are for parts illustrations only, not servicing procedures.

New Energy Star Program Requirement for gas furnaces.

Text Codes:

AR - As Required

NA - Not Available

NS - Not Shown

00000000 - See Note

QTY - Quantity Example (QTY 3) (If Quantity not shown, Quantity = 1)

M - Model Example (M1) (If M Code not shown, then part is used on all Models)

Expanded Model Nomenclature:

Example M1 - Model#1 M2 - Model#2 M3 - Model#3

Goodman Manufacturing Company, L.P. is not responsible for personal injury or property damage resulting from improper service. Review all service information before beginning repairs.

Warranty service must be performed by an authorized technician, using authorized factory parts. If service is required after the warranty expires, Goodman Manufacturing Company, L.P. also recommends contacting an authorized technician and using authorized factory parts.

Goodman Manufacturing Company, L.P. reserves the right to discontinue, or change at any time, specifications or designs without notice or without incurring obligations.

For assistance within the U.S.A. contact:
Consumer Affairs Department
Goodman Manufacturing Company, L.P.
7401 Security Way
Houston, Texas 77040
877-254-4729-Telephone
713-863-2382-Facsimile

For assistance outside the U.S.A. contact:
International Division
Goodman Manufacturing Company, L.P.
7401 Security Way
Houston, Texas 77040
713-861-2500-Telephone
713-863-2382-Facsimile

Functional Parts

**Part
No:**

Description:

10735102	BECKETT BURNER (QTY A/R)
D6723311	BLOWER WHEEL (M2, M4)
B1368047A	BLOWER WHEEL 10 X 10 (M1, M3)
0130F00010	FLAME SENSOR
0257F00202	HEAT EXCHANGER ASSY (M2)
0257F00197	HEAT EXCHANGER ASSY (M3)
0257F00198	HEAT EXCHANGER ASSY (M4)
0257F00201	HEAT EXCHANGER ASSY (M1)
0130F00008	IGNITOR-SINI 17 SEC
B1141666	INDUCTOR-5.9 AMP
0130F00105	LIMIT SWITCH (M2, M4)
0130F00038	LIMIT, PRIMARY, 120, LT BLUE (M1, M3)
10123517	MANUAL RESET LIMIT (QTY 2)
0131M00272	MOTOR, 1 HP, SERIAL ECM (M2, M4)
0131M00271	MOTOR, 3/4 HP, SERIAL ECM (M1, M3)
PCBKF103	PCB, CONTROL, FURNACE
0130F00070	PRESSURE SWITCH
0130F00100	PRESSURE SWITCH
0130F00038	PRIMARY LIMIT - LT BLUE 120° (M2, M4)
20162904	PRIMARY LIMIT-TEMPERATURE CONTROL (M1, M3)
0151M00028	VALVE,GAS(HW)VR92

SPECIAL PARTS

0161M00003P	AMANA NAMEPLATE (M1, M2)
0161F00000P	GOODMAN NAMEPLATE (M3, M4)

Expanded Model Nomenclature

M1 - ACVC950714CXBA
M2 - ACVC950915DXBA
M3 - GCVC950714CXBA
M4 - GCVC950915DXBA

Cabinet

Image 1

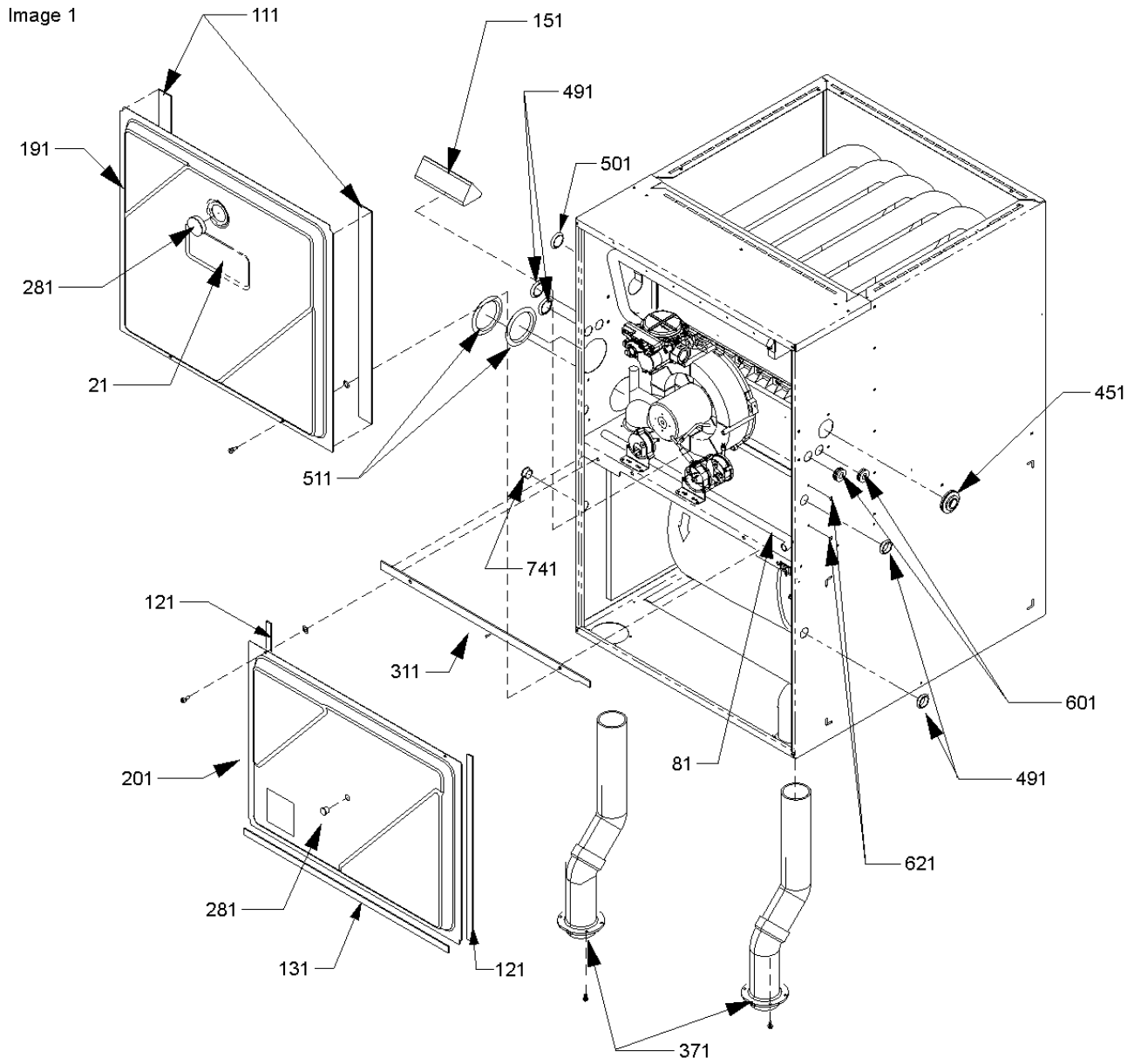
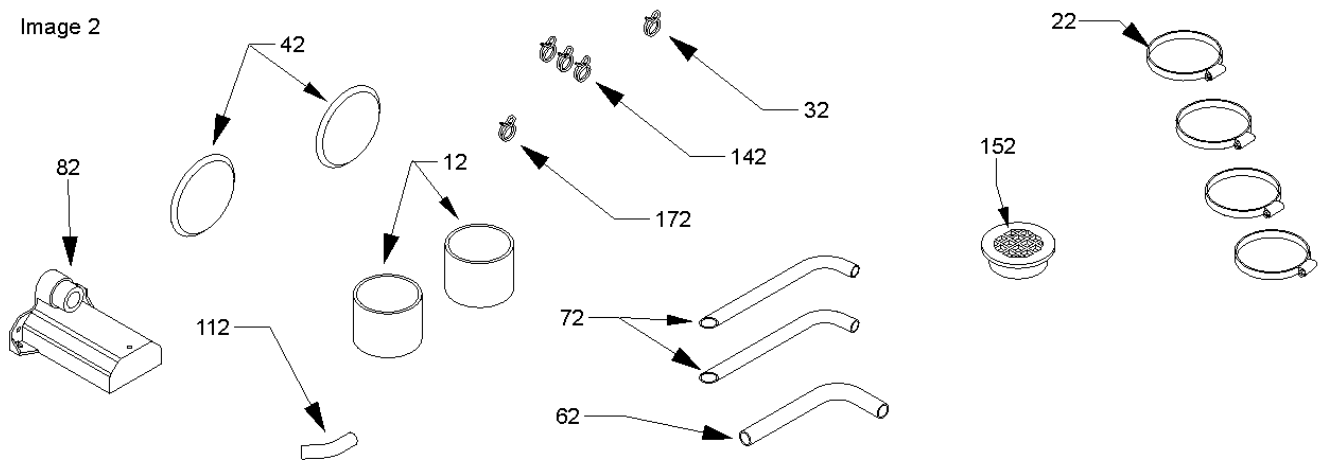


Image 2



Cabinet

Ref. Part No:	Ref. Part No:	Description:	Description:
---------------	---------------	--------------	--------------

Image 1:

21	0161M00003P	AMANA NAMEPLATE (M1, M2)
21	0161F00000P	GOODMAN NAMEPLATE (M3, M4)
81	20201902	DRAIN HOSE
111	20179308	GASKET (QTY 2)
121	20179311	GASKET (QTY 2)
131	20179312	GASKET (M1, M3)
131	20179313	GASKET (M2, M4)
151	10195518	STANDPIPE BAG ASSY
191	0121F00067LG	ACCESS DOOR (M1)
191	0121F00068LG	ACCESS DOOR (M2)
191	0121F00073DG	ACCESS DOOR (M3)
191	0121F00074DG	ACCESS DOOR (M4)
201	0121F00064LG	BLOWER DOOR (M1)
201	0121F00065LG	BLOWER DOOR (M2)
201	0121F00070DG	BLOWER DOOR (M3)
201	0121F00071DG	BLOWER DOOR (M4)
281	B1392139	VIEW PORT BUSHING-BLOWER DOOR (QTY 2)
311	22320002	DECK GASKET (M1, M3)
311	22320003	DECK GASKET (M2, M4)
371	22309502	FLUE PIPE (QTY 2)
451	M0501301	PIPE GROMMET
491	M0570808	BUTTON PLUG (QTY 4)
501	M0570806	BUTTON PLUG
511	M0570807	BUTTON PLUG (QTY 2)
601	A4691701	GROMMET (QTY 2)
621	M0310345	BUTTON PLUG (QTY 2)
741	B1392104	UNIVERSAL BUSHING UB 875

Image 2:

22	0163M00049	HOSE CLAMP (QTY 2)
32	M0119207	HOSE CLAMP
42	M0570807	BUTTON PLUG (QTY 2)
62	20201901	DRAIN HOSE
72	20201802	DRAIN TUBE (QTY 2)
82	20171701	DRAIN TRAP
112	20214202	DRAIN ANGLE
142	M0119205	HOSE CLAMP (QTY 3)
152	B2810816	2" MESH INSERT
172	M0119206	HOSE CLAMP

Expanded Model Nomenclature

M1 - ACVC950714CXBA
M2 - ACVC950915DXBA
M3 - GCVC950714CXBA
M4 - GCVC950915DXBA

Blower Assembly

Image 1

*If end bells are needed please order the following:

0131M00182 - 1/2 HP

0131M00183 - 3/4 HP

0131M00184 - 1 HP

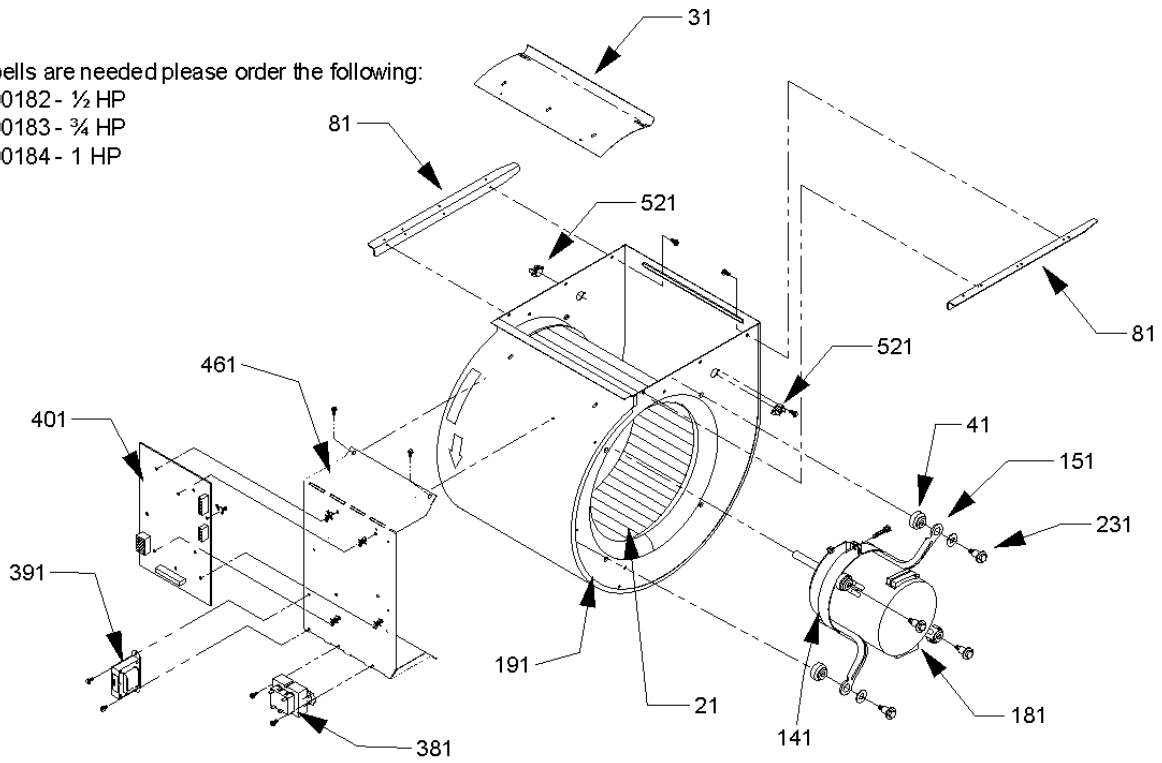
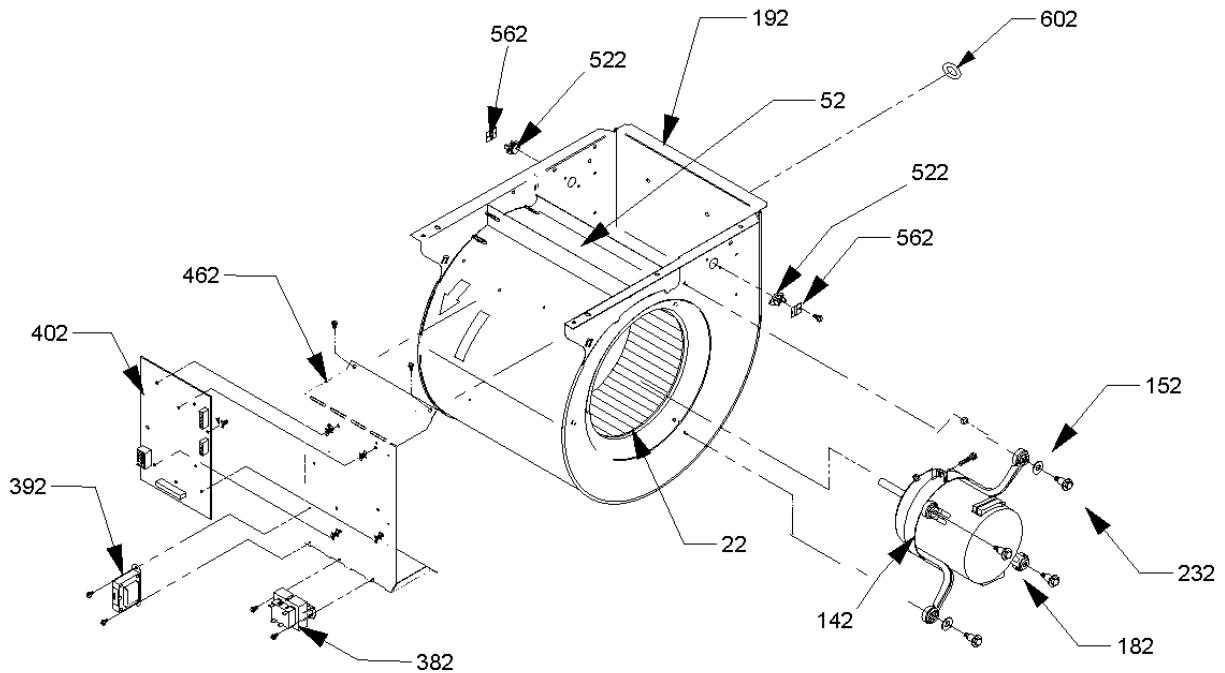


Image 2



Blower Assembly

**Ref. Part
No: No:**

Description:

**Ref. Part
No: No:**

Description:

Image 1:

21	D6723311	BLOWER WHEEL (M2, M4)
31	C6121807	BLOWER CUT-OFF (M2, M4)
41	A4002702	BLOWER MOTOR GROMMET (M2, M4)
81	20175101	BLOWER SIDE RAIL (M2, M4)
141	10441601	MOTOR MOUNT BAND (M2, M4)
151	10441501	MOTOR MOUNT ARM (M2, M4)
181	0131M00272	MOTOR, 1 HP, SERIAL ECM (M2, M4)
191	0271F00047	BLOWER HOUSING ASSY 11 X 10 (M2, M4)
231	M0221461	TC SCREW (M2, M4)
381	B1141605	TRANSFORMER 120V TO 24V, 40 VA (M2, M4)
391	B1141666	INDUCTOR-5.9 AMP (M2, M4)
401	PCBKF103	PCB, CONTROL, FURNACE (M2, M4)
461	0121F00094	CONTROL MOUNT PANEL (M2, M4)
521	0130F00038	PRIMARY LIMIT - LT BLUE 120° (M2, M4)
NS	0259F00040	CONTROL HARNESS (M2, M4)
NS	0130F00327	MEMORY CHIP (M4)
NS	0130F00340	MEMORY CHIP (M2)
NS	0259F00041	POWER HARNESS HIGH VOLTAGE (M2, M4)
NS	0259F00024	WIRE HARNESS-BLOWER (M2, M4)
NS	0159F00022	WIRING HARNESS (M2, M4)

Expanded Model Nomenclature

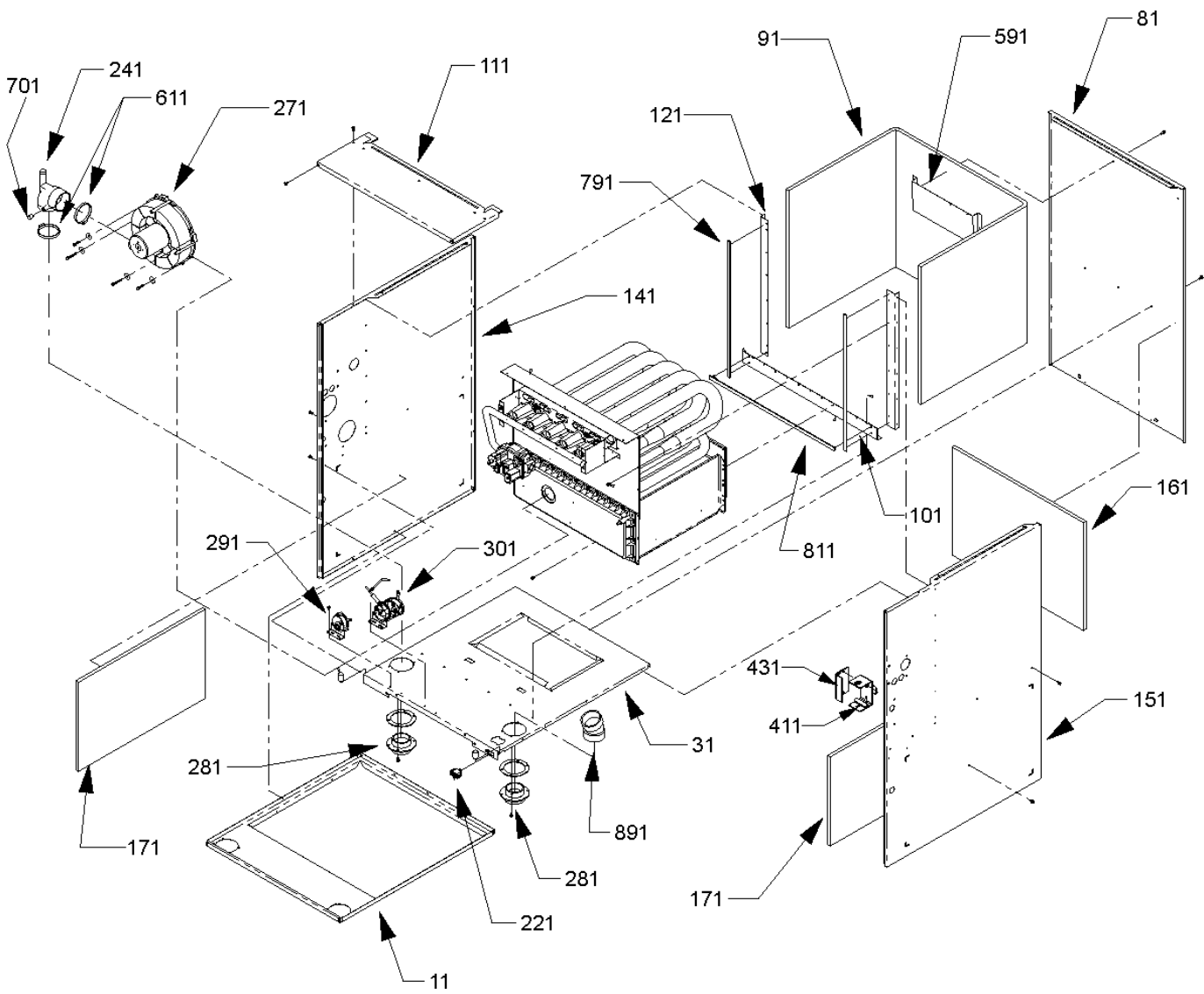
M1 - ACVC950714CXBA
M2 - ACVC950915DXBA
M3 - GCVC950714CXBA
M4 - GCVC950915DXBA

*If end bells are needed please order the following:
0131M00182 - 1/2 HP
0131M00183 - 3/4 HP
0131M00184 - 1 HP

Image 2:

22	B1368047A	BLOWER WHEEL 10 X 10 (M1, M3)
52	764741F	BLOWER BLOCK-OFF 10 X 10 (M1, M3)
142	0121M00038	MOTOR MOUNT BAND (M1, M3)
152	B1376857	MOTOR MOUNT ARM (M1, M3)
182	0131M00271	MOTOR, 3/4 HP, SERIAL ECM (M1, M3)
192	0271F00004P	BLOWER HOUSING ASSY 10 X 10 (M1, M3)
232	M0250565	TC SCREW 1.25" (M1, M3)
382	B1141605	TRANSFORMER 120V TO 24V, 40 VA (M1, M3)
392	B1141666	INDUCTOR-5.9 AMP (M1, M3)
402	PCBKF103	PCB, CONTROL, FURNACE (M1, M3)
462	0121F00094	CONTROL MOUNT PANEL (M1, M3)
522	0130F00038	LIMIT, PRIMARY, 120, LT BLUE (M1, M3)
562	2509503F	AUXILIARY LIMIT BRACKET
602	B1392021	PLASTIC PLUG, 1" (2713-BLK) (M1, M3)
NS	0259F00040	CONTROL HARNESS (M1, M3)
NS	0130F00326	MEMORY CHIP (M3)
NS	0130F00339	MEMORY CHIP (M1)
NS	0259F00041	POWER HARNESS HIGH VOLTAGE (M1, M3)
NS	0259F00024	WIRE HARNESS-BLOWER (M1, M3)
NS	0159F00022	WIRING HARNESS (M1, M3)

Chassis



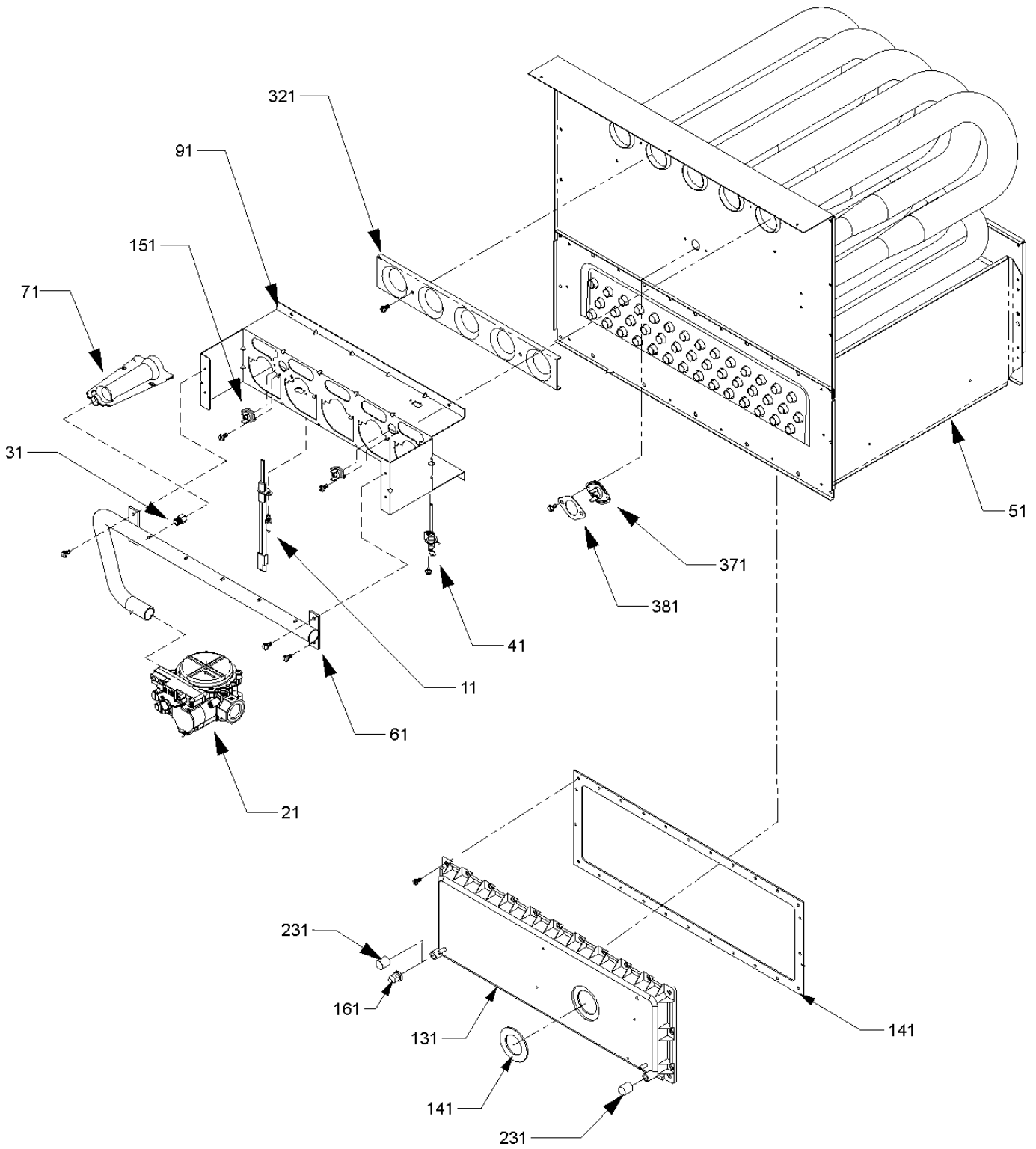
Chassis

Ref. Part No:	No:	Description:	Ref. Part No:	No:	Description:
<i>Image 1:</i>					
11	20273509	BASEPAN-C'FLOW FURN (M1, M3)			
11	20273511	BASEPAN-C'FLOW FURN (M2, M4)			
31	0121F00046	BLOWER DECK (M1, M3)			
31	0121F00049	BLOWER DECK (M2, M4)			
81	20273216	BACK PANEL (M1, M3)			
81	20273218	BACK PANEL (M2, M4)			
91	C6415909	HEAT EXCHANGER INSULATION (M2, M4)			
91	C6415911	HEAT EXCHANGER INSULATION (M1, M3)			
101	0121F00019P	DECK RAIL (M1, M3)			
101	20191303	DECK RAIL (M2, M4)			
111	0270F00104P	TOP COVER ASSY (M1, M3)			
111	0270F00105P	TOP COVER ASSY (M2, M4)			
121	20191603	SIDE RAIL (M1, M3)			
121	20191604	SIDE RAIL (M2, M4)			
221	B1370818	INTERLOCK SWITCH			
241	20171802S	ELBOW			
271	0271F00119	ID BLOWER ASSY			
281	20049701	FA COUPLING (QTY 2)			
291	0130F00070	PRESSURE SWITCH			
301	0130F00100	PRESSURE SWITCH			
411	0161F00012	JUNCTION BOX-PLA			
431	0161F00013	JUNCTION BOX-LID			
591	11165107	ID BLOWER SHIELD			
611	0163M00049	HOSE CLAMP (QTY 2)			
701	M0326804	PLUG-TUBE			
791	20194608	GASKET (QTY 2)			
811	20194606	GASKET (M1, M3)			
811	20194607	GASKET (M2, M4)			
891	C6455901	ELBOW-22 1/2 ELL			
NS	0164M00003	PRESSURE SWITCH HOSE			
NS	0164M00010	PRESSURE SWITCH HOSE (M1, M3)			
NS	0164M00012	PRESSURE SWITCH HOSE (M2, M4)			

Expanded Model Nomenclature

M1 - ACVC950714CXBA
M2 - ACVC950915DXBA
M3 - GCVC950714CXBA
M4 - GCVC950915DXBA

Heat Exchanger / Manifold / Gas Valve



Heat Exchanger / Manifold / Gas Valve

Ref. Part No: No:	Description:	Ref. Part No: No:	Description:
-------------------	--------------	-------------------	--------------

Image 1:

11	0130F00008	IGNITOR-SINI 17 SEC
21	0151M00028	VALVE,GAS(HW)VR92
31	10716003	ORIFICE (QTY 3)
41	0130F00010	FLAME SENSOR
51	0257F00197	HEAT EXCHANGER ASSY (M3)
51	0257F00198	HEAT EXCHANGER ASSY (M4)
51	0257F00201	HEAT EXCHANGER ASSY (M1)
51	0257F00202	HEAT EXCHANGER ASSY (M2)
61	20196402	MANIFOLD - 3 BRNR (M1, M3)
61	20196403	MANIFOLD - 4 BRNR (M2, M4)
71	10735102	BECKETT BURNER (QTY A/R)
91	20190411	BURNER BRACKET 3B (M1, M3)
91	20190412	BURNER BRACKET 4B (M2, M4)
131	20170907A	FRONT COVER (M1, M3)
131	20171006A	FRONT COVER (M2, M4)
141	0154F00001P	COIL GASKET (M1, M3)
141	0154F00002P	COIL GASKET (M2, M4)
151	10123517	MANUAL RESET LIMIT (QTY 2)
161	M0326804	TUBE PLUG
231	A1781105	CAP-VINYL .500 (QTY 2)
321	11072202	ORIFICE SHIELD (M1, M3)
321	11072203	ORIFICE SHIELD (M2, M4)
371	0130F00105	LIMIT SWITCH (M2, M4)
371	20162904	PRIMARY LIMIT-TEMPERATURE CONTROL (M1, M3)
381	10236702	FRAME-WINDOW FUR

Expanded Model Nomenclature

M1 - ACVC950714CXBA
M2 - ACVC950915DXBA
M3 - GCVC950714CXBA
M4 - GCVC950915DXBA