

## Low Water Cut-Offs – Electronic For Hot Water Boilers

**NEW**

### RB-122-E Low Water Cut-Offs

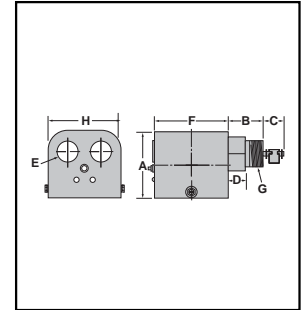


- For residential applications
- Electronic operation
- Easy to install and wire
- Red low water indicating LED
- Green power indicating LED
- Now with test button
- Automatic reset
- No blow down required
- 20,000 ohms probe sensitivity
- Maximum ambient temperature 120°F (49°C)
- Maximum water temperature 250°F (121°C)
- Maximum water pressure 160 psi (11.2 kg/cm<sup>2</sup>)

**NOW WITH  
SELF-CLEANING  
PROBE!**



Series RB-122-E



### Electrical Ratings

Voltage	Power Consumption	Load Switching
120 VAC	3.1 VA	5.8 A at 120 VAC

### Dimensions, in. (mm)

A	B	C	D	E	F	G NPT	H
2 <sup>3</sup> / <sub>4</sub> (70)	1 <sup>5</sup> / <sub>8</sub> (51)	1 <sup>3</sup> / <sub>8</sub> (35)	3 <sup>4</sup> / <sub>4</sub> (20)	7 <sup>8</sup> / <sub>8</sub> (22)	3 <sup>13</sup> / <sub>16</sub> (99)	3 <sup>4</sup> / <sub>4</sub>	3 <sup>3</sup> / <sub>16</sub> (81)

### Ordering Information

Model Number	Part Number	Description	Weight lbs. (kg)
RB-122-E	144676	Low water cut-off	1.7 (.78)