

SPW-01

SINGLE POINT WIRING KIT

INSTALLATION INSTRUCTIONS

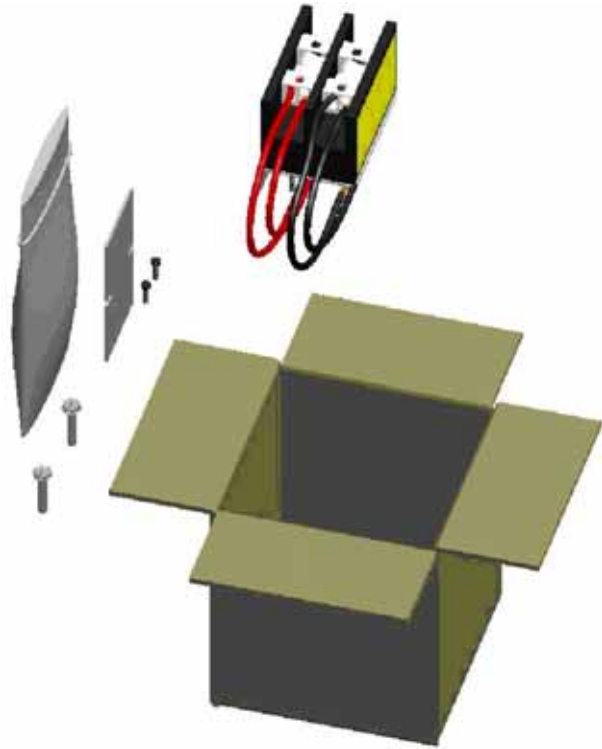
© 2009,2012 Goodman Manufacturing Company, L.P.
5151 San Felipe, Suite 500, Houston, TX 77056
www.goodmanmfg.com -or- www.amana-hac.com
P/N: IO-720A Date: April 2012

Description

The SPW-01 single point kit creates one power supply for heater kits with two circuit breakers. It is compatible with heater kits HKR-15C, HKR-20C, HKR-21C, HKSC15XA, HKSC15XB, HKSC19CA, HKSC19CB, HKSC20DA, and HKSC20DB when installed in a single-piece Goodman® or Amana® brand air handler or modular blower.

This kit includes:

- (1) power block
- (1) mounting bracket
- (4) wires
- (2) #6 pan head screws
- (2) #10 self drilling screws, and
- (1) power block cover with two screws in a bag



Attention Installing Personnel

As a professional installer, you have an obligation to know the product better than the customer. This includes all safety precautions and related items.

Prior to actual installation, thoroughly familiarize yourself with this Instruction Manual. Pay special attention to all safety warnings. Often during installation or repair, it is possible to place yourself in a position which is more hazardous than when the unit is in operation.

Remember, it is **your** responsibility to install the product safely and to know it well enough to be able to instruct a customer in its safe use.

Safety is a matter of common sense...a matter of thinking before acting. Most dealers have a list of specific good safety practices...follow them.

The precautions listed in this Installation Manual are intended as supplemental to existing practices. However, if there is a direct conflict between existing practices and the content of this manual, the precautions listed here take precedence.

Visit our websites at www.goodmanmfg.com or amana-hac.com
for information on:

- Products
- Parts
- Warranties
- Contractor Programs and Training
- Customer Services
- Financing Options

© 2009,2012 Goodman Manufacturing Company, L.P.

Amana® is a registered trademark of Maytag Corporation or its related companies and is used under license to Goodman Company, L.P., Houston, TX. All rights reserved.



HKR MODELS

WARNING

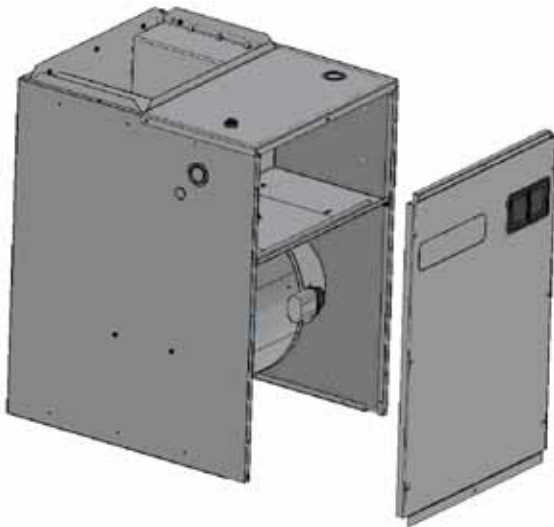
HIGH VOLTAGE!
DISCONNECT ALL POWER BEFORE SERVICING OR INSTALLING THIS UNIT. MULTIPLE POWER SOURCES MAY BE PRESENT. FAILURE TO DO SO MAY CAUSE PROPERTY DAMAGE, PERSONAL INJURY OR DEATH.



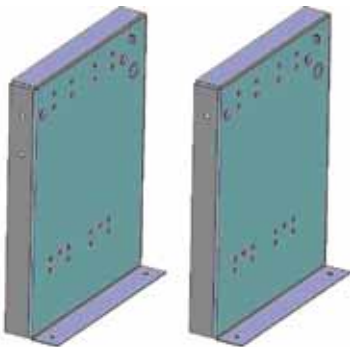
Installation Instructions

NOTE: A compatible heater kit must be installed **PRIOR** to installing this kit. If the circuit breaker plate is not installed, please refer to your heater kit installation instructions on how to install the circuit breaker plate to the chassis.

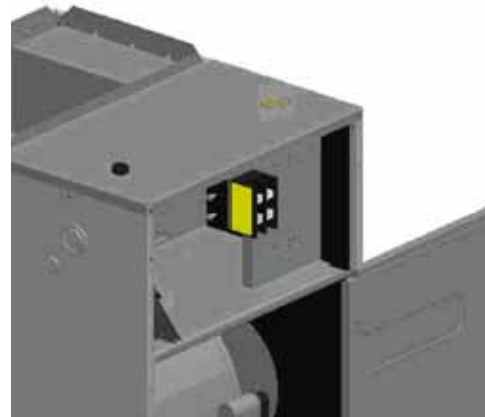
1. Turn OFF the main power supply and set the circuit breakers to the OFF position.
2. Remove the unit access panel to expose the control box.



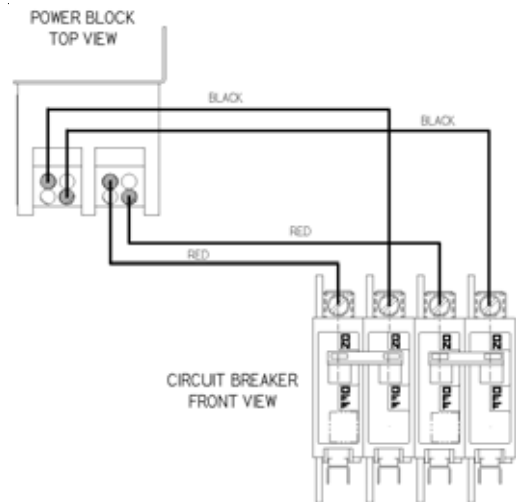
3. Identify if the circuit breaker plate comes with two pre-drilled holes or one pre-drilled hole on the left side of the plate. If the plate has two pre-drilled holes, **skip the next step**.



4. Using the supplied mounting bracket as a template, drill a 0.125" pilot hole in the circuit breaker plate.
5. Install the supplied mounting bracket and power block to the circuit breaker plate using the enclosed #10 screws. Torque screws to 19 in-lbs.



6. Install the four SPW-01 kit wires to the circuit breaker lugs and torque lug screws to 35 in-lbs. Ensure all wires are tucked inside the control box.



7. Secure the power supply wires to the line side of the power block and torque screws to 120 in-lbs. **Note:** Attach supply ground wire to ground lug on breaker panel 2AWG MAX.
8. Using the screws enclosed in the power block cover bag, install the power block cover to the power block.



9. Reinstall the access panel removed in Step 2. Ensure the panel edge does not cut into the wire insulation.
10. Turn ON the main power supply and set the circuit breakers to the ON position.
11. Set the room thermostat to call for emergency heat or auxiliary heat. Verify the blower is running after a short delay and there is warm air flow from the vents.

HKS MODELS

WARNING

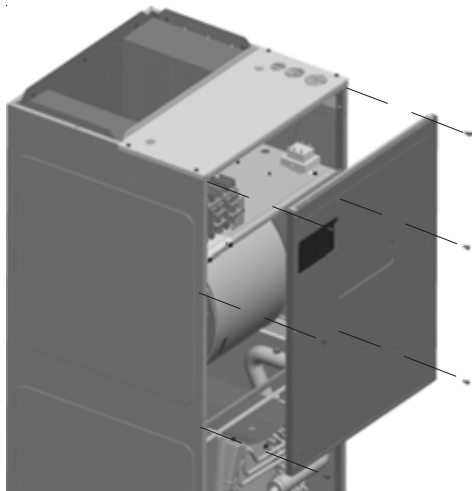
HIGH VOLTAGE!
DISCONNECT ALL POWER BEFORE SERVICING OR INSTALLING THIS UNIT. MULTIPLE POWER SOURCES MAY BE PRESENT. FAILURE TO DO SO MAY CAUSE PROPERTY DAMAGE, PERSONAL INJURY OR DEATH.



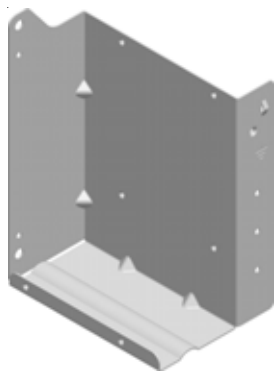
Installation Instructions

NOTE: A compatible heater kit must be installed **PRIOR** to installing this kit. If the circuit breaker plate is not installed, please refer to your heater kit installation instructions on how to install the circuit breaker plate to the chassis.

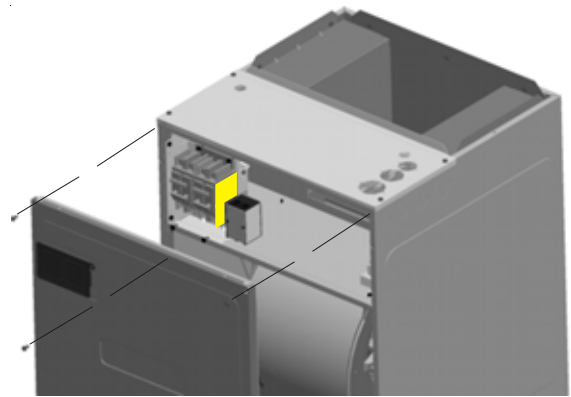
1. Turn OFF the main power supply and set the circuit breakers to the OFF position.
2. Remove the unit access panel to expose the control box.



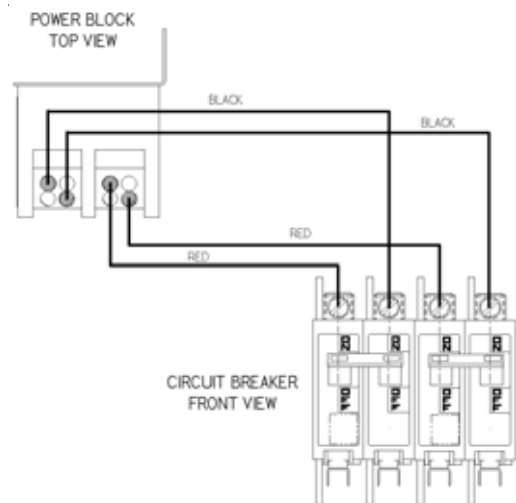
3. Identify if the circuit breaker plate comes with two pre-drilled holes or one pre-drilled hole on the right side of the plate. If the plate has two pre-drilled holes, skip the next step.



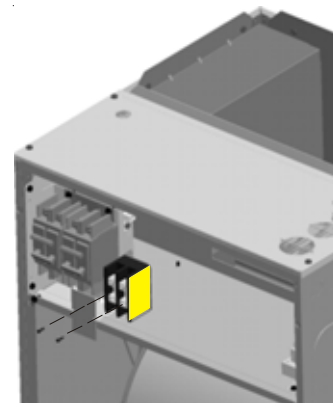
4. Using the supplied mounting bracket as a template, drill a 0.125" pilot hole in the circuit breaker plate.
5. Install the supplied mounting bracket and power block to the circuit breaker plate using the enclosed #10 screws. Torque screws to 19 in-lbs.



6. Install the four SPW-01 kit wires to the circuit breaker lugs and torque lug screws to 35 in-lbs. Ensure all wires are tucked inside the control box.



7. Secure the power supply wires to the line side of the power block and torque screws to 120 in-lbs. **Note:** Attach supply ground wire to ground lug on breaker panel 2AWG MAX.
8. Using the screws enclosed in the power block cover bag, install the power block cover to the power block.



9. Reinstall the access panel removed in Step 2. Ensure the panel edge does not cut into the wire insulation.
10. Turn ON the main power supply and set the circuit breakers to the ON position.
11. Set the room thermostat to call for emergency heat or auxiliary heat. Verify the blower is running after a short delay and there is warm air flow from the vents.

Visit our websites at www.goodmanmfg.com or amana-hac.com for information on:

- Products
- Warranties
- Customer Services
- Parts
- Contractor Programs and Training
- Financing Options

© 2009,2012 Goodman Manufacturing Company, L.P.