



aerospace  
climate control  
electromechanical  
filtration  
fluid & gas handling  
hydraulics  
pneumatics  
process control  
sealing & shielding



# Sporlan Replacement Parts

Bulletin 122, November 2009



ENGINEERING YOUR SUCCESS.

# Table of Contents

<b>Level Master Control</b> .....	*	<b>Replaceable Suction Filters</b>	
		RSF-480 and RSF-960 Series .....	42
<b>Thermostatic Expansion Valves</b>		<b>Pressure Regulating Valves</b>	
RC Series .....	3	(A)DRI(E), (A)DRS(E), (A)DRP(E) and	
ER Series .....	4	(A)DRH(E) Series .....	43
BF, SBF and EBF Series .....	5	(S)ORIT Series .....	44-45
F and EF Series .....	6	(S)ORIT-PI Series .....	46-47
EG, G and C Series .....	7	(S)HGB(E)-8 Series .....	48
S and EBS Series .....	8	SHGB(E)-15 Series .....	49
P Series .....	9	HGBE-5 Series .....	50
O Series .....	10	HGB(E)-8 Series .....	48
Q and BQ Series .....	11-13	(O)LDR Series .....	51-54
Flange Series .....	14-15	(O)LDR-15, (O)LDR-16, (O)LDR-20	
H and M Series .....	16	XTM, XTO	
V and W Series .....	17	DDR-20 Series .....	55
D and A Series .....	18	CRO(E) and CRO(T) Series .....	56
Replacement Parts Kits .....	19	ORI(T) and OROA Series .....	56
Identifying SporlanTEVs .....	20-21	Constant Pressure (Automatic) Expansion Valves ..	56
		C, S, P, PSA, AJ(E), ADRI(E)	
<b>Solenoid Valves</b>		ORIT and CROT Series .....	56
Rapid Cycle Series .....	22	LAC Series .....	56
XWG, XXF, XUP, XRN, XRM, XPO		<b>Electronic Temperature Control Systems</b>	
Industrial Series .....	23	SEO Series .....	*
W3, W6, W14, W19, W25		CDS Series .....	57
(K)(B)R183, (K)(B)R184, (K)(B)R246		SDR Series .....	58
XOF, XJH		SEI, SEH and SEHI Series .....	59
Normally Closed Series .....	24, 26, 27, 28	SER, SERI and ESX Series .....	60
A3, E3, E5		Electronic Controllers Reference .....	61
(M)B6/E6		<b>Oil Level Control Systems</b>	
(C)(M)B9/E9, (C)(M)B10/E10		Adaptor Kits .....	62-63
(C)(M)B14/E14, (C)(M)B19/E19		Oil Reservoirs .....	63
(M)B25/E25, (M)B33, (M)E34, (M)E35, (M)E42		Oil Filters .....	64
Normally Open Series .....	25-28	<b>Moisture and Liquid Indicators</b>	
OB9/OE9, OB10/OE10, OB14/OE14, OB19/OE19		See-All® Series .....	64
OB25/OE25, OB33, OE34, OE35, OE42		<b>Strainers</b> .....	65
Flange Series .....	29-31	<b>Alpha-Numeric Parts List</b> .....	66-67
MA5, MA17, MA32, MA42, MA50			
3-Way Valve Series .....	32-34		
10G, 8D, 12D, 16D			
Parts Kits .....	35		
<b>Cap Screw, Bolt and Nut Specifications</b> ..	36		
<b>Replaceable Core Catch-All® Filter-Driers</b>			
C-R420 Series .....	37		
C-480 through C-1920 Series .....	38-40		
C-30000 and C-40000 Series .....	41		

# Thermostatic Expansion Valves

## Flare and Solder Connections

THERMOSTATIC EXPANSION VALVE REPLACEMENT PARTS																		
ITEM NUMBER	PART NUMBER and DESCRIPTION DRAWINGS ON PAGES 3 thru 10			VALVE TYPE and QUANTITY OF PART REQUIRED PER VALVE														
				ER	RC	F	EF	BF	EBF	SBF	G	EG	C	S	EBS	P	Small O	Large O
183019	772-000	Inlet Strainer	1/4" SAE								1							
183015	3008-000				1		1											
183017	1538-000		3/8" SAE		1		1				1							
183023	588-000												1					
183025	589-000		1/2" SAE										1					
183024	590-000		5/8" SAE										1					
183026	1524-000		3/8" ODF		1		1											
183378	1935-000 *											1						
183002	3427-000 **									1		1						
908014	877-003				1				1									
183020	1543-002			1/4" ODF	1			1										
908012	877-004		1/2" ODF	1	1		1								1			
908009	877-005		5/8" ODF	1											1			
183880	220-000		Seal Cap													1		1
183884	420-000											1	1	1	1	1		1
183888	1053-000			1	1	1	1	1	1									
183606	621-017	Seal Cap Gasket													1		1	
—	†	Spring	1	1	1	1	1	1	1	1	1	1	1	1	1	1	1	
183092	2113-000	Spring Guide														1		
183094	413-000									1	1	1	1	1				
183098	213-000														1		1	
183183	688-002	Spring Guide Stamping								1	1	1	1	1				

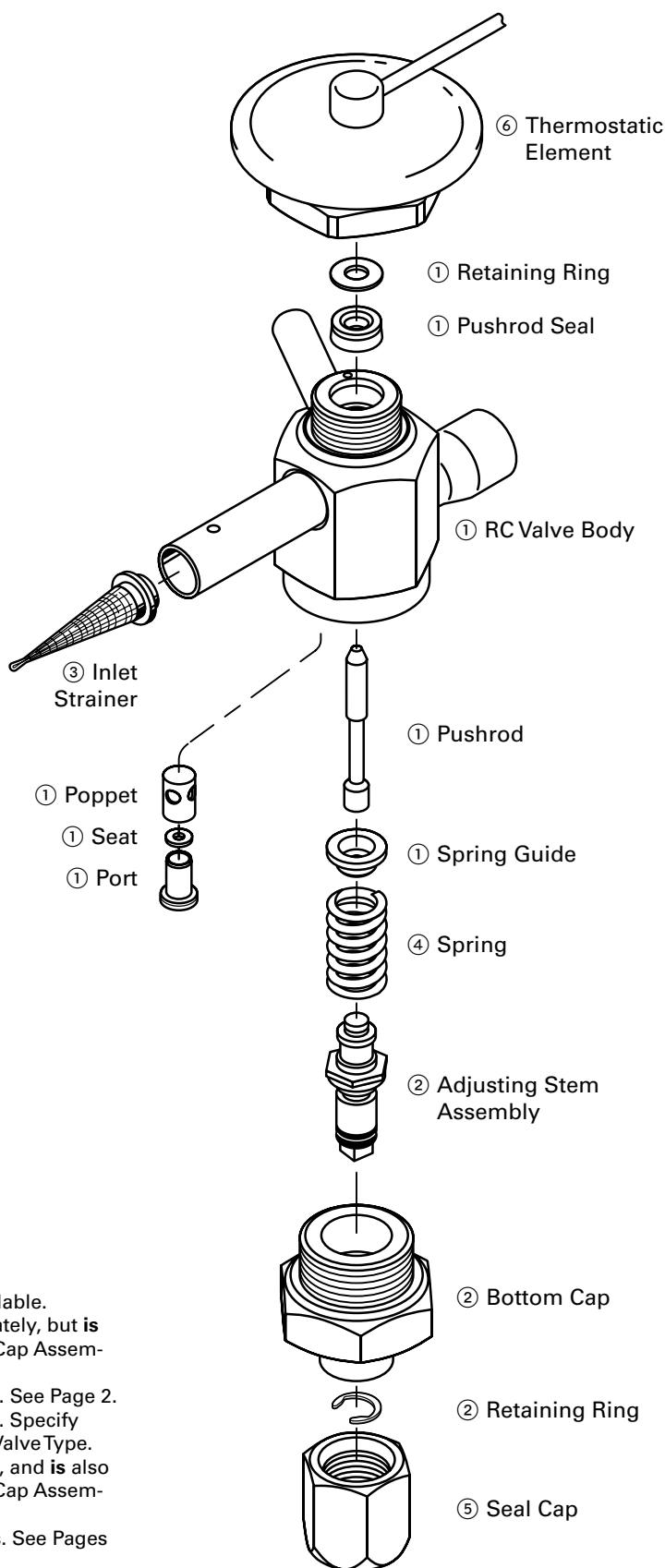
† Specify thermostatic charge and valve type.

\* Used on Type EG Valves manufactured prior to date code 2294. Strainer has 1/2" hex head.

\*\* Used on Type EG Valves manufactured on and after date code 2294, and all Type SBF Valves. Strainer has 5/8" hex head.

# Thermostatic Expansion Valves RC Series

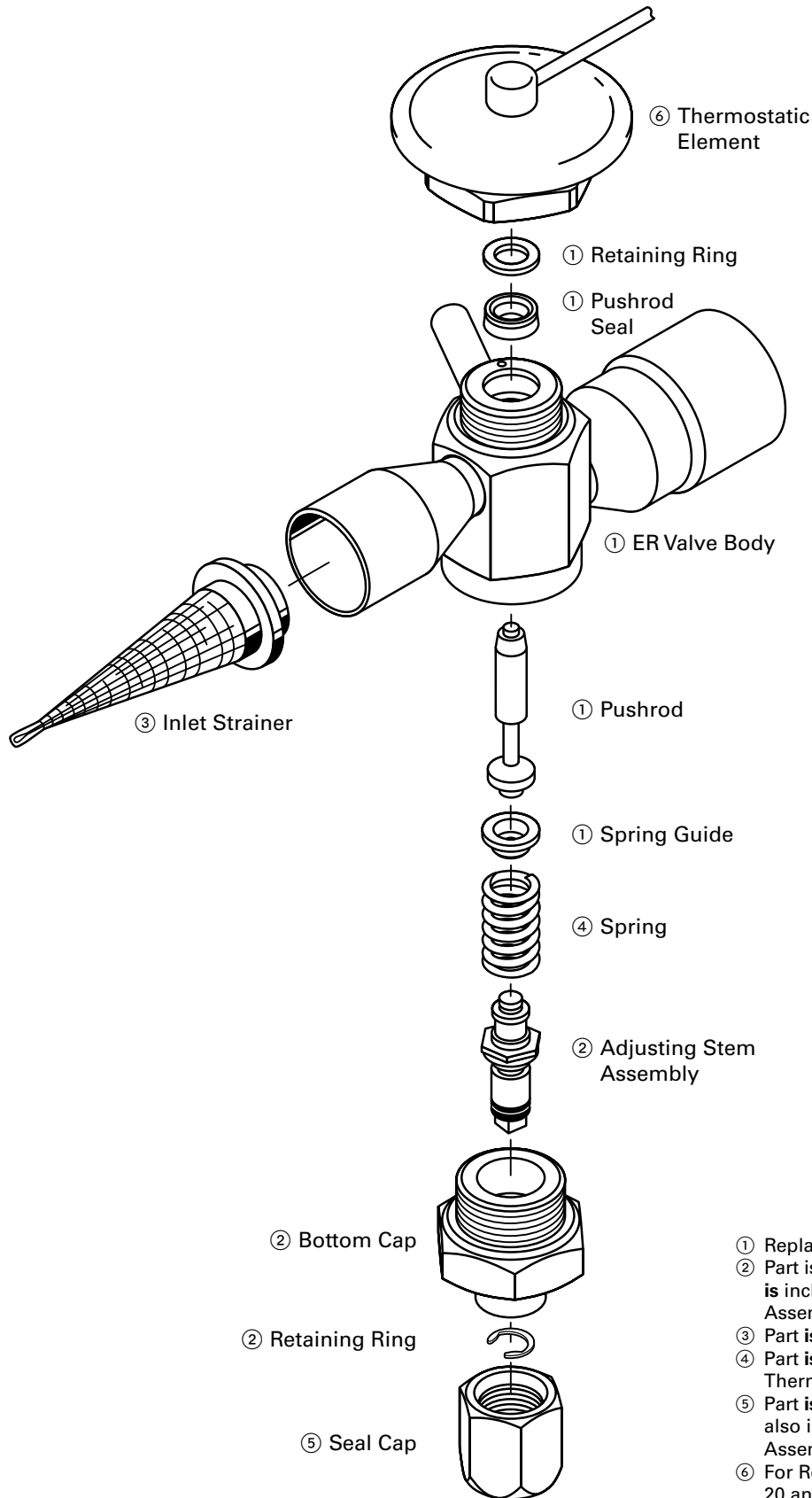
See Parts Table on Page 2



- ① Replacement part **not** available.
- ② Part is **not** available separately, but is included with the Bottom Cap Assembly Kit. See Page 19.
- ③ Part **is** available separately. See Page 2.
- ④ Part **is** available separately. Specify Thermostatic Charge and Valve Type.
- ⑤ Part **is** available separately, and **is** also included with the Bottom Cap Assembly Kit. See Page 19.
- ⑥ For Replacement Elements. See Pages 20 and 21.

# Thermostatic Expansion Valves ER Series

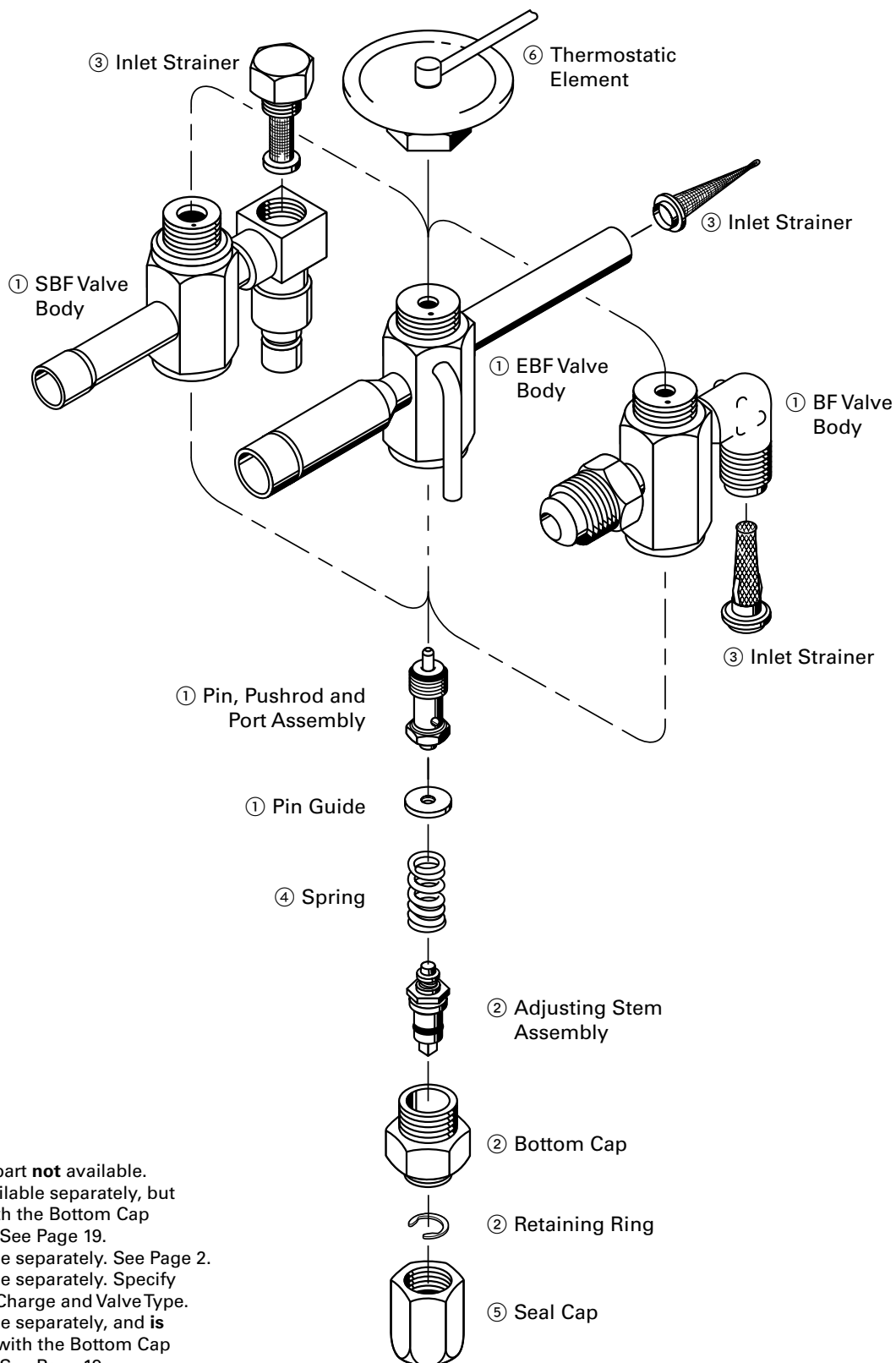
See Parts Table on Page 2



- ① Replacement part **not** available.
- ② Part is **not** available separately, but **is** included with the Bottom Cap Assembly Kit. See Page 19.
- ③ Part **is** available separately. See Page 2.
- ④ Part **is** available separately. Specify Thermostatic Charge and Valve Type.
- ⑤ Part **is** available separately, and **is** also included with the Bottom Cap Assembly Kit. See Page 19.
- ⑥ For Replacement Elements. See Pages 20 and 21.

# Thermostatic Expansion Valves BF, SBF and EBF Series

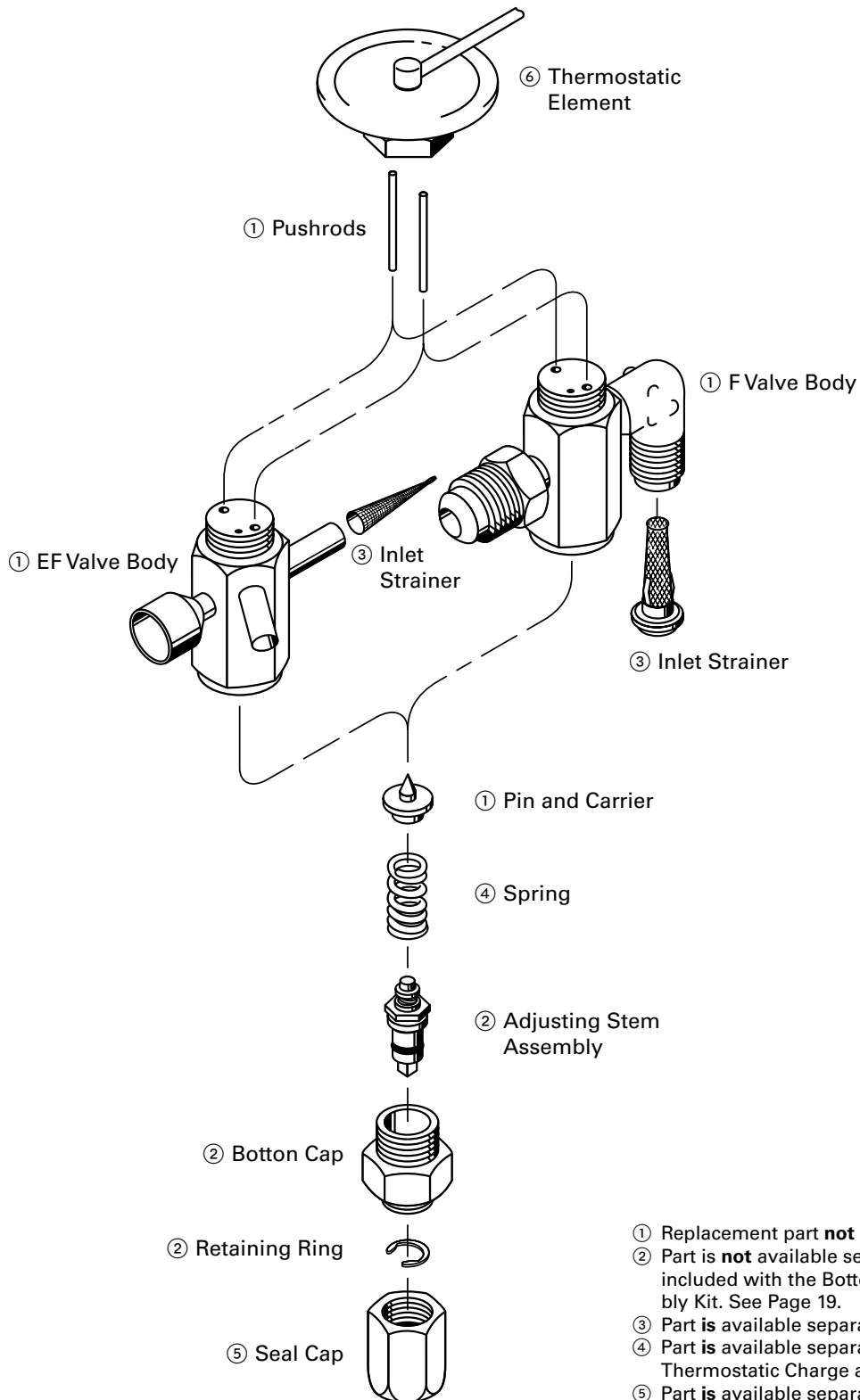
See Parts Table on Page 2



- ① Replacement part **not** available.
- ② Part is **not** available separately, but **is** included with the Bottom Cap Assembly Kit. See Page 19.
- ③ Part **is** available separately. See Page 2.
- ④ Part **is** available separately. Specify Thermostatic Charge and Valve Type.
- ⑤ Part **is** available separately, and **is** also included with the Bottom Cap Assembly Kit. See Page 19.
- ⑥ For Replacement Elements. See Pages 20 and 21.

# Thermostatic Expansion Valves F and EF Series

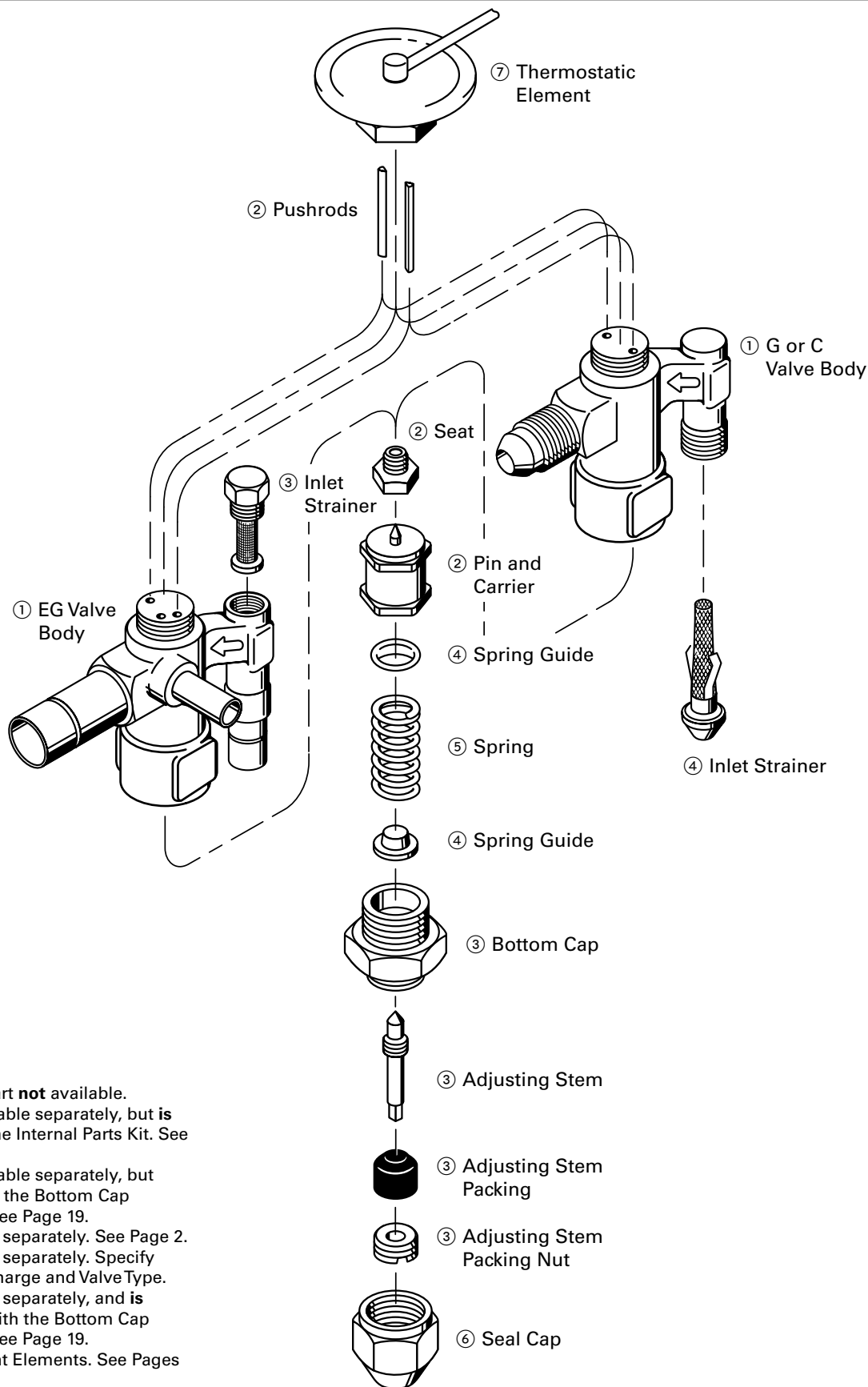
See Parts Table on Page 2



- ① Replacement part **not** available.
- ② Part is **not** available separately, but is included with the Bottom Cap Assembly Kit. See Page 19.
- ③ Part **is** available separately. See Page 2.
- ④ Part **is** available separately. Specify Thermostatic Charge and Valve Type.
- ⑤ Part **is** available separately, and **is** also included with the Bottom Cap Assembly Kit. See Page 19.
- ⑥ For Replacement Elements. See Pages 20 and 21.

# Thermostatic Expansion Valves EG, G and C Series

See Parts Table on Page 2

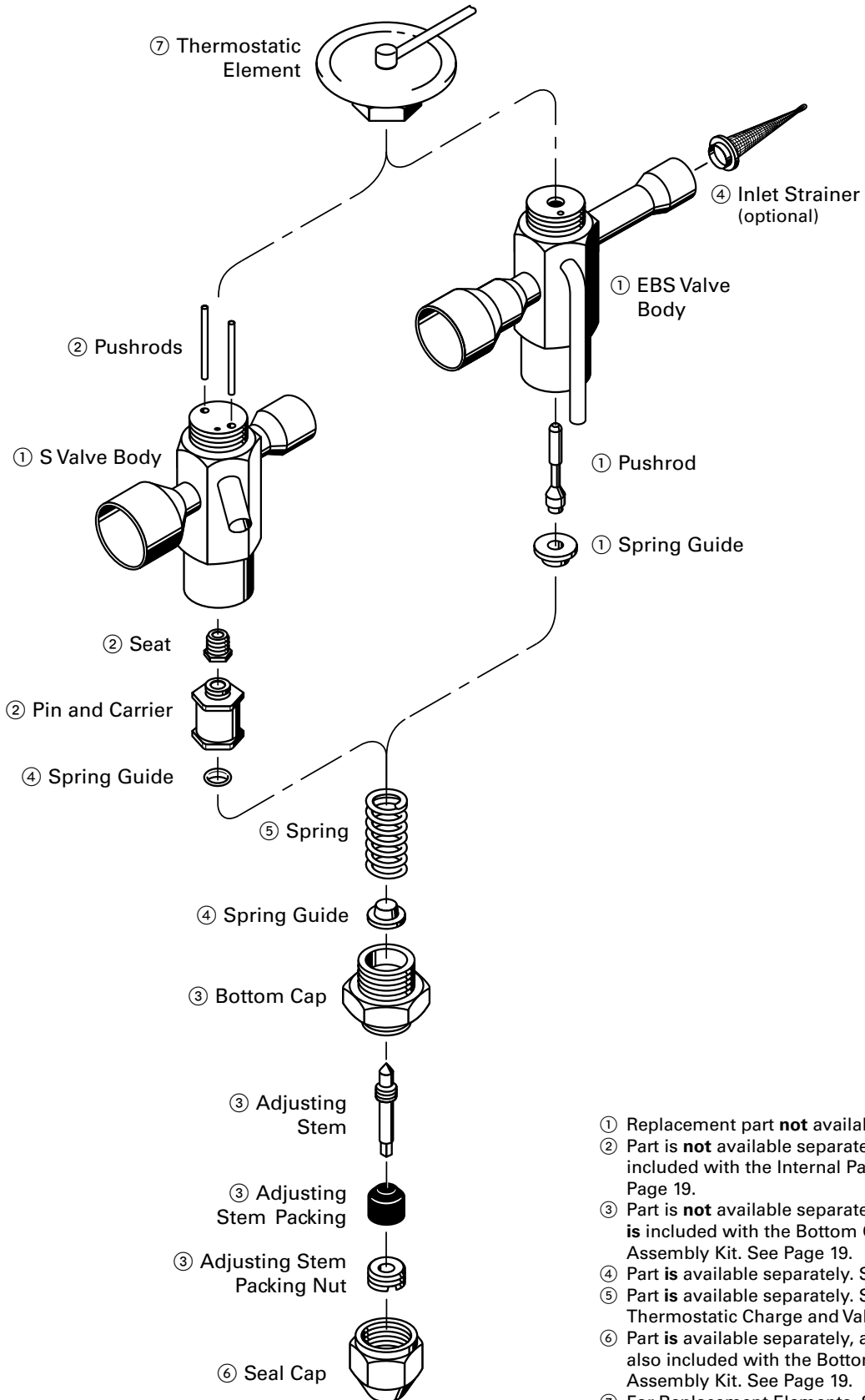


- ① Replacement part **not** available.
- ② Part is **not** available separately, but is included with the Internal Parts Kit. See Page 19.
- ③ Part is **not** available separately, but is included with the Bottom Cap Assembly Kit. See Page 19.
- ④ Part is available separately. See Page 2.
- ⑤ Part is available separately. Specify Thermostatic Charge and Valve Type.
- ⑥ Part is available separately, and is also included with the Bottom Cap Assembly Kit. See Page 19.
- ⑦ For Replacement Elements. See Pages 20 and 21.



# Thermostatic Expansion Valves S and EBS Series

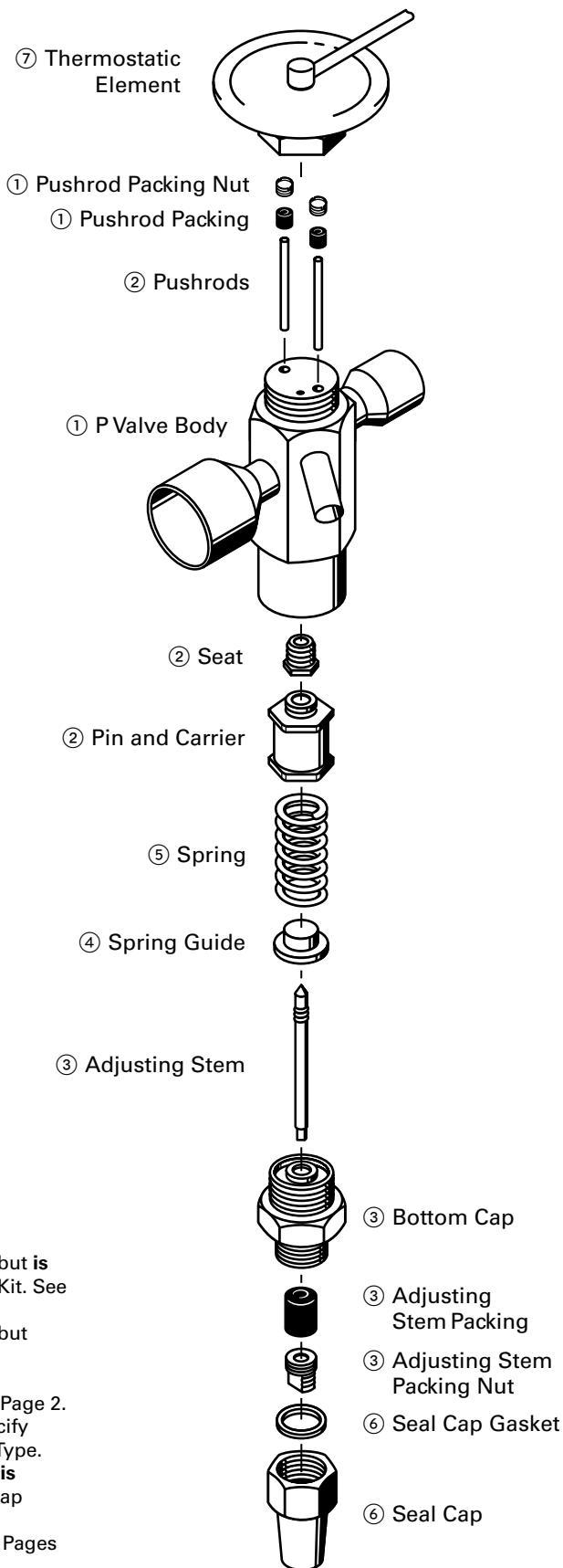
See Parts Table on Page 2



- ① Replacement part **not** available.
- ② Part is **not** available separately, but **is** included with the Internal Parts Kit. See Page 19.
- ③ Part is **not** available separately, but **is** included with the Bottom Cap Assembly Kit. See Page 19.
- ④ Part **is** available separately. See Page 2.
- ⑤ Part **is** available separately. Specify Thermostatic Charge and Valve Type.
- ⑥ Part **is** available separately, and **is** also included with the Bottom Cap Assembly Kit. See Page 19.
- ⑦ For Replacement Elements. See Pages 20 and 21.

# Thermostatic Expansion Valves P Series

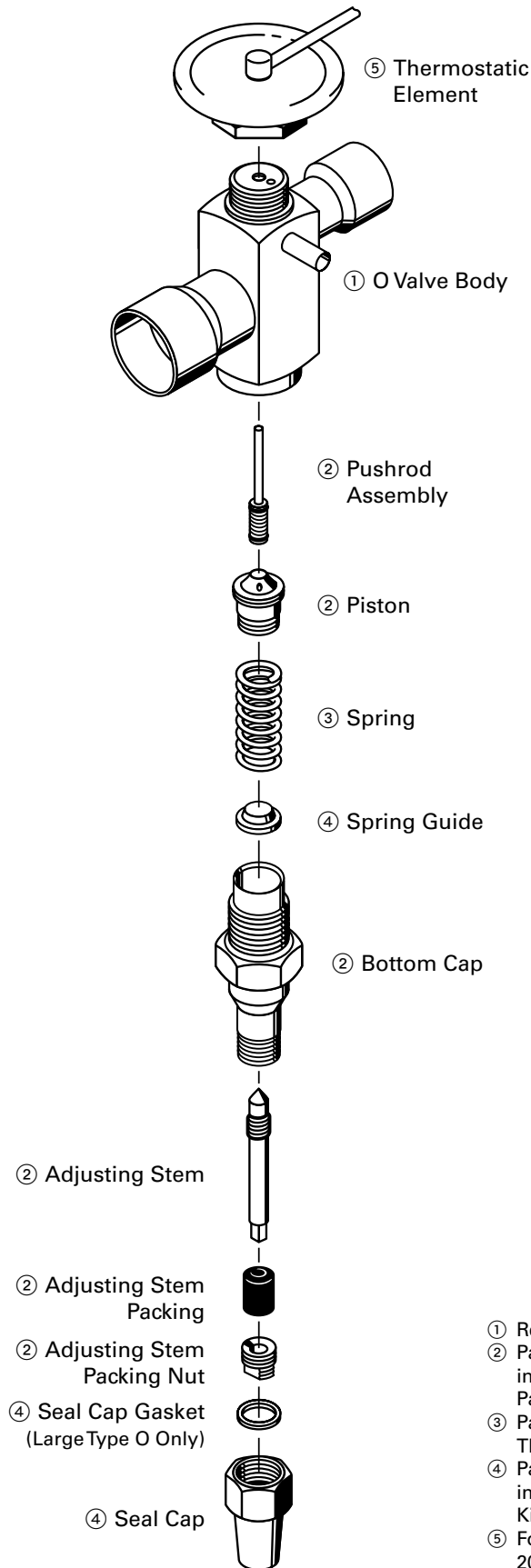
See Parts Table on Page 2



- ① Replacement part **not** available.
- ② Part is **not** available separately, but **is** included with the Internal Parts Kit. See Page 19.
- ③ Part is **not** available separately, but **is** included with the Bottom Cap Assembly Kit. See Page 19.
- ④ Part **is** available separately. See Page 2.
- ⑤ Part **is** available separately. Specify Thermostatic Charge and Valve Type.
- ⑥ Part **is** available separately, and **is** also included with the Bottom Cap Assembly Kit. See Page 19.
- ⑦ For Replacement Elements. See Pages 20 and 21.

# Thermostatic Expansion Valves Type O (small and large)

See Parts Table on Page 2



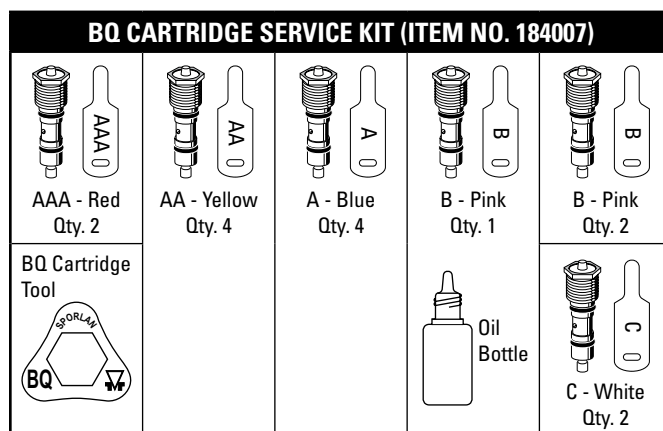
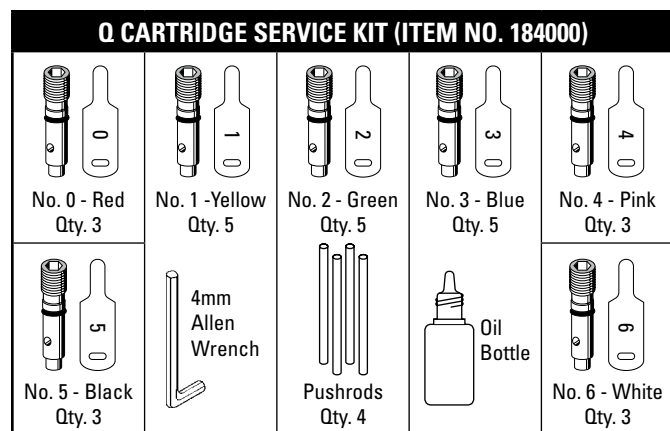
- ① Replacement part **not** available.
- ② Part is **not** available separately, but **is** included with the Internal Parts Kit. See Page 19.
- ③ Part **is** available separately. Specify Thermostatic Charge and Valve Type.
- ④ Part **is** available separately, and **is** also included with the Internal Valve Parts Kit. See Page 19.
- ⑤ For Replacement Elements. See Pages 20 and 21.

# Thermostatic Expansion Valves

## Q and BQ Series

Q CARTRIDGE SERVICE KIT PARTS				BQ CARTRIDGE SERVICE KIT PARTS			
ITEM NUMBER	PART NUMBER	SIZE	COLOR CODE	ITEM NUMBER	PART NUMBER	SIZE	COLOR CODE
<b>CARTRIDGE AND I.D. TAG*</b>				<b>CARTRIDGE AND I.D. TAG*</b>			
168070	QC-0	0	Red	168303	BQC-AAA	AAA	Red
168072	QC-1	1	Yellow	168304	BQC-AA	AA	Yellow
168074	QC-2	2	Green	168306	BQC-A	A	Blue
168076	QC-3	3	Blue	168307	BQC-B	B	Pink
168078	QC-4	4	Pink	168308	BQC-C	C	White
168080	QC-5	5	Black	168701	BQC-AA-B15	AA	Yellow
168082	QC-6	6	White	168702	BQC-A-B15	A	Blue
				168703	BQC-B-B15	B	Pink
				168704	BQC-C-B15	C	White
<b>MISCELLANEOUS PARTS</b>				<b>MISCELLANEOUS PARTS</b>			
184001	OB-1	Oil Bottle (With Oil)		184001	OB-1	Oil Bottle (With Oil)	
184002	AW-1	4 mm Allen Wrench		184008	4444-000	BQ Cartridge Tool	
184003	CSK-1	Q Cartridge Service Kit (Empty)		184010	BCSK-1	BQ Cartridge Service Kit (Empty)	
183012	2384-000	(4) Pushrods		958147	4508-010	Cartridge O-Ring (Cartridge Requires 2 O-Rings)	
184004	791-001	Cartridge O-Ring					

\* The ID tag is included with each cartridge.  
Each cartridge size is available only in multiples of 5.

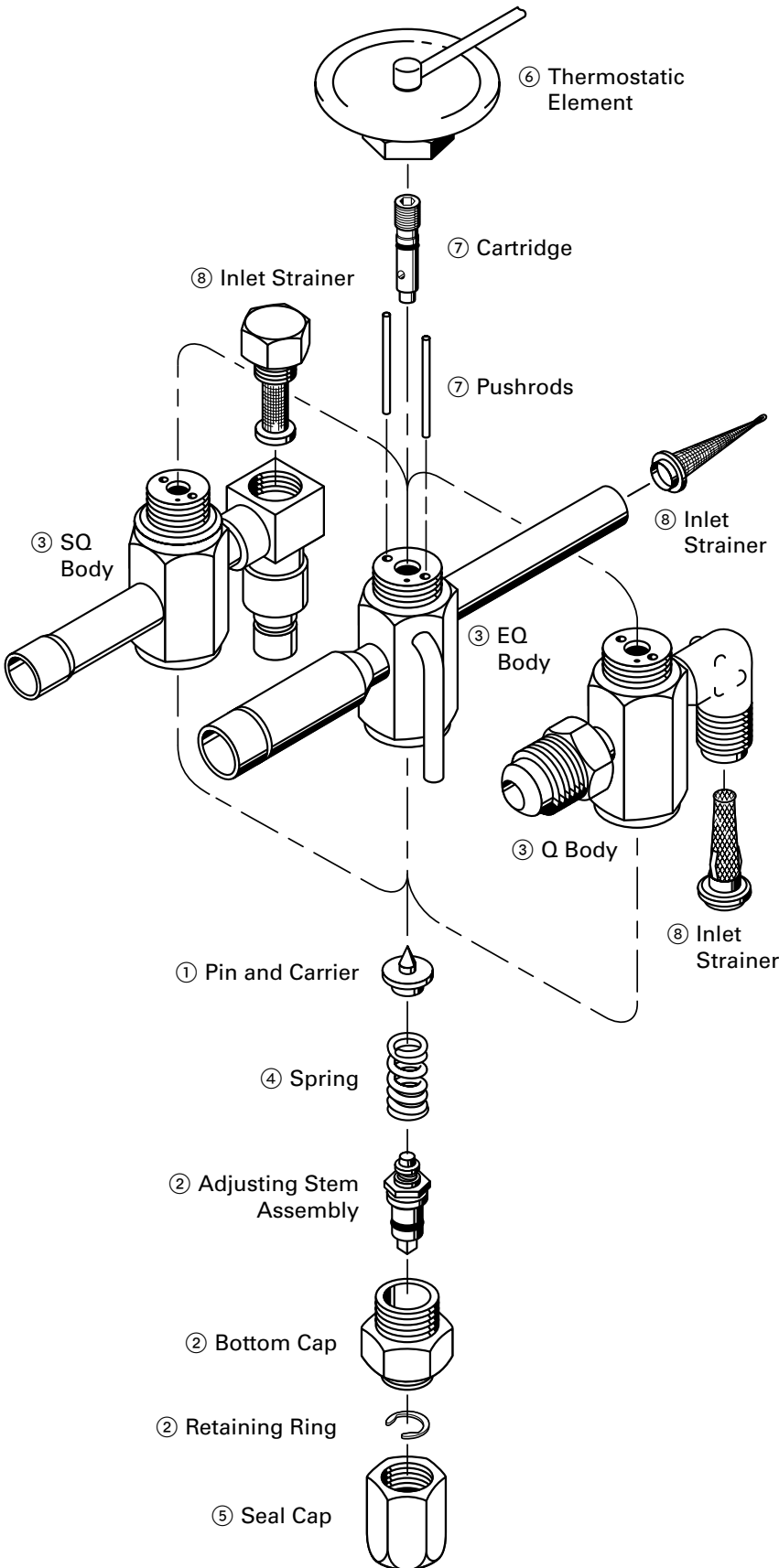


Q and BQ REPLACEMENT PARTS									
ITEM NUMBER	PART NUMBER	PART DESCRIPTION DRAWINGS ON PAGES 12 and 13**		VALVE TYPE and QUANTITY OF PART REQUIRED PER VALVE					
				Q	SQ	EQ	BQ	SBQ	EBQ
183015	3008-000	Inlet Strainer	1/4" SAE	1			1		
183017	1538-000		3/8" SAE	1			1		
183002	3427-000		3/8" ODF		1			1	
908014	877-003					1			1
908012	877-004		1/2" ODF						1
183888	1053-000	Seal Cap		1	1	1	1	1	1
—	†	Spring		1	1	1	1	1	1

† Specify Thermostatic Charge and Valve Type.  
\*\* See Page 19 for Bottom Cap Assembly Kit.

# Thermostatic Expansion Valves Q, SQ and EQ Series

See Parts Table on Page 11



Q VALVE BODY		
VALVE TYPE	STANDARD CONNECTIONS	ITEM NUMBER
	Inches Inlet x Outlet	
<b>Q</b> Internally Equalized	1/4" x 3/8" SAE	168012
	1/4" x 1/2" SAE	168011
	3/8" x 1/2" SAE	168000
<b>QE</b> Externally Equalized	1/4" x 3/8" x 1/4" SAE	168017
	1/4" x 1/2" X 1/4" SAE	168016
	3/8" x 1/2" x 1/4" SAE	168005
<b>SQ</b> Internally Equalized	1/4" x 1/2" ODF	168009
	3/8" x 1/2" ODF	168010
<b>SQE</b> Externally Equalized	1/4" x 1/2" x 1/4" ODF	168014
	3/8" x 1/2" x 1/4" ODF	168015
<b>EQ*</b> Internally Equalized	3/8" x 3/8" ODF	168196
	3/8" x 1/2" ODF	168144
	3/8" x 5/8" ODF	168164
	1/2" x 5/8" ODF	168153
	1/2" x 7/8" ODF	168154
<b>EQE*</b> Externally Equalized	3/8" x 1/2" x 1/4" ODF	168150
	3/8" x 5/8" x 1/4" ODF	168156
	1/2" x 5/8" x 1/4" ODF	168151
	1/2" x 7/8" x 1/4" ODF	168152

\* The straight extended connections of the EQ body series are designed for easy installation on air conditioning applications. The longer connections and resulting body configurations do not allow it to be packaged in the Q Carrying Case. All EQ and EQE bodies are supplied with an inlet strainer: Item No. 908014, P/N 877-003 (3/8 ODF) or Item No. 908012, P/N 877-004 (1/2 ODF).

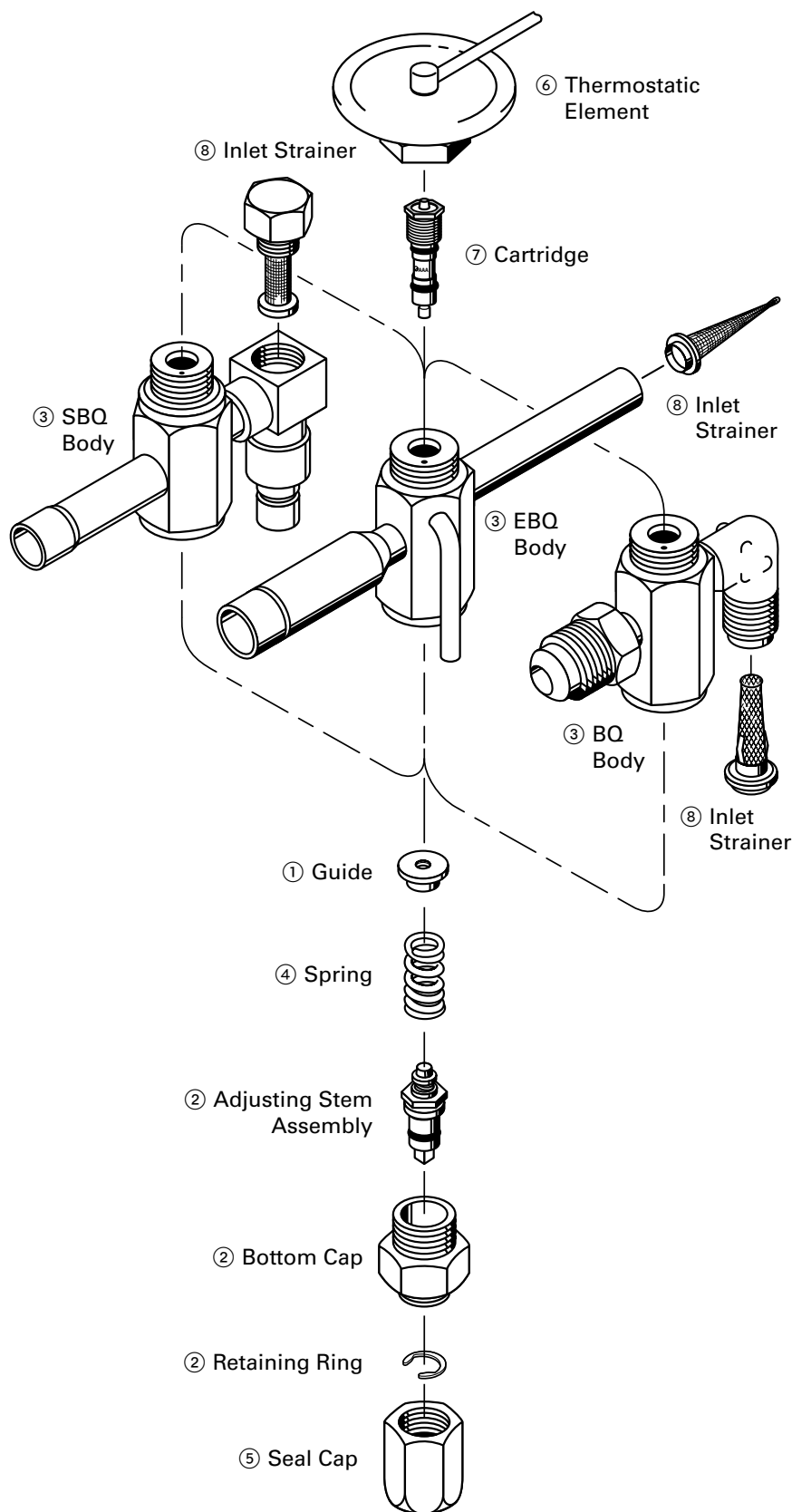
- ① Replacement part **not** available.
- ② Part is **not** available separately, but **is** included with the Bottom Cap Assembly Kit, See Page 19.
- ③ Part **is** available separately. See Table on this Page.
- ④ Part **is** available separately. Specify Thermostatic Charge and Valve Type.
- ⑤ Part **is** available separately, see Table on Page 11, and **is** also included with the Bottom Cap Assembly Kit. See Page 19.
- ⑥ For Replacement Elements. See Pages 20 and 21.
- ⑦ Part is available separately, and **is** also included with the Cartridge Service Kit. See Page 11.
- ⑧ Part **is** available separately. See Table on Page 11.

# Thermostatic Expansion Valves BQ, SBQ and EBQ Series

See Parts Table on Page 11

BQ VALVE BODY		
VALVE TYPE	STANDARD CONNECTIONS	ITEM NUMBER
	Inlet x Outlet Inches	
<b>BQ</b> Internally Equalized	1/4" x 3/8" SAE	168192
	1/4" x 1/2" SAE	168191
	3/8" x 1/2" SAE	168190
<b>BQE</b> Externally Equalized	1/4" x 3/8" x 1/4" SAE	168185
	1/4" x 1/2" X 1/4" SAE	168184
	3/8" x 1/2" x 1/4" SAE	168183
<b>SBQ</b> Internally Equalized	3/8" x 1/2" ODF	168193
<b>SBQE</b> Externally Equalized	3/8" x 1/2" x 1/4" ODF	168198
<b>EBQ*</b> Internally Equalized	3/8" x 1/2" ODF	168194
	3/8" x 5/8" ODF	168313
	1/2" x 5/8" ODF	168314
<b>EBQE*</b> Externally Equalized	3/8" x 1/2" x 1/4" ODF	168186
	3/8" x 5/8" x 1/4" ODF	168189
	1/2" x 5/8" x 1/4" ODF	168187
	1/2" x 7/8" x 1/4" ODF	168188

\* The straight extended connections of the EBQ body series are designed for easy installation on air conditioning applications. The longer connections and resulting body configurations do not allow it to be packaged in the BQ Carrying Case. All EBQ and EBQE bodies are supplied with an inlet strainer; Item No. 908014, P/N 877-003 (3/8 ODF) or Item No. 908012, P/N 877-004 (1/2 ODF).



- ① Replacement part **not** available.
- ② Part is **not** available separately, but **is** included with the Bottom Cap Assembly Kit. See Page 19.
- ③ Part **is** available separately. See Table on this Page.
- ④ Part **is** available separately. Specify Thermostatic Charge and Valve Type.
- ⑤ Part **is** available separately, see Table on Page 11, and **is** also included with the Bottom Cap Assembly Kit. See Page 19.
- ⑥ For Replacement Elements. See Pages 20 and 21.
- ⑦ Part **is** available separately, and **is** also included with the Cartridge Service Kit. See Page 11.
- ⑧ Part **is** available separately. See Table on Page 11.

# Thermostatic Expansion Valves Flange Series

THERMOSTATIC EXPANSION VALVE REPLACEMENT PARTS								
ITEM NUMBER	PART NUMBER and DESCRIPTION DRAWINGS ON PAGES 16, 17 and 18		VALVE TYPE and QUANTITY OF PART REQUIRED PER VALVE					
			H	M	V	W	A	D
**** †	106-001					1	1	
183620	123-002	Bottom Cap Gasket		1	1			
183625	123-005					1		
183890 †	358-000			1	1		1	
****	958-000	Bottom Cap Locknut				1		
183620	123-002	Bushing Gasket	2	**	**			
183750	123-000				2	2		
184930 †	108-000	Discharge Tube					1	
184932 †	108-001		A - 1/8" (20T)				1	
184934 †	108-002		A - 5/32" (30T)				1	
184920 †	208-001		A - 3/16" (50T)				1	
184922 †	208-002		D - 1/32" (1T)					1
184924 †	208-000		D - 1/16" (2T)					1
184926 †	208-003		D - 5/64" (5T)					1
184928 †	208-004		D - 7/64" (10T)					1
**** †	139-000	Element Cap Screw					2	
**** †	106-000	Element Gasket					1	
183635	123-001			1	1	1		
**** †	106-002							1
183745 †	106-003	Flange Gasket					2	
183746 †	106-004							2
183765	123-004					2		
****	578-000	Inlet Strainer Ring	1					
183879 †	224-000							1*
**** †	124-000						1*	
****	226-000	Inlet Strainer Screen	1					
183034 †	1471-000	Inlet Strainer Screen Assy.					1	
183029	763-000			1	1			
183031	735-000					1		
183032 †	3777-000	Inlet Strainer Screen Assy.					1 and 2 TON	
183033 †	3777-001	Inlet Strainer Screen Assy.					5, 10, 15 TON	
183030	961-000	Inlet Strainer Screen Retainer				1		
183450	360-000	Pipe Flange (Female)		1 or 2	1 or 2			
183452	360-001		1/2" FPT		1 or 2	1 or 2		
183454	362-000		3/4" FPT		1 or 2	1 or 2		
183456 †	374-000	Pipe Flange (Male)					1 or 2	
183458 †	374-001		1" FPT				1 or 2	
183460 †	375-000		1/4" FPT	1 or 2***				2
183468 †	225-000		3/8" FPT	1 or 2***				2
183470 †	225-001		1/2" FPT	1 or 2***				2
183472 †	225-002							

† TEV Type handled by Parker Refrigerating Specialties Division. Parts listed for reference only. Please contact R/S Division for replacement parts.  
 \* Used in place of inlet strainer screen when external strainer is used with the valve.  
 \*\* M and V valves use wolverine style bushing gaskets which are not compatible with ammonia. The gaskets used on the A valve and the MA17 solenoid valve are very similar to the M and V valve bushing gaskets; however this material is compatible with Ammonia.  
 \*\*\* Can be added to Type "H" valve with adaptor kit number K-1178.  
 \*\*\*\* Not available.

# Thermostatic Expansion Valves

## Flange Series

THERMOSTATIC EXPANSION VALVE REPLACEMENT PARTS									
ITEM NUMBER	PART NUMBER and DESCRIPTION DRAWINGS ON PAGES 16, 17 and 18			VALVE TYPE and QUANTITY OF PART REQUIRED PER VALVE					
				H	M	V	W	A	D
183044	3123-000	Socket Flange (Female)	1/2" Socket Weld		1 or 2	1 or 2			
183561	376-000		3/4" Socket Weld		1 or 2	1 or 2			
183046	3146-000		1" Socket Weld		1 or 2	1 or 2			
183558 †	580-000	Socket Flange (Male)	1/2" Socket Weld						1 or 2
183040 †	3122-000		1/2" Socket Weld					1 or 2	
183560 †	377-000		3/4" Socket Weld					1 or 2	
183042 †	3147-000		1" Socket Weld					1 or 2	
183421 †	129-000	Pushrod Packing		2	2			2	2
183423	729-000					1			
183425	737-000						1		
**** †	128-000	Pushrod Packing Nut						2	2
183422	128-001			2	2				
183424	728-000					1			
183426	736-000						1		
183880	220-000			1					
183882 †	220-001	Seal Cap			1	1		1	1
183886	720-000					1			
183606	621-017	Seal Cap O-Ring		1					
183104	123-003	Seal Cap Gasket					1		
183825 †	106-005			1**	1	1		1	1
183036	574-001	Solder Bushing	1/2" ODF	1 or 2					
183037	574-002		5/8" ODF	1 or 2					
183047	367-001		7/8" ODF		1 or 2	1 or 2			
183039	574-004		7/8" ODF	1 or 2					
183049	368-000		1-1/8" ODF		1 or 2	1 or 2			
183041	575-000		1-1/8" ODF	1 or 2					
183053	368-001		1-3/8" ODF		1 or 2	1 or 2			
183055	370-000		1-5/8" ODF		1 or 2	1 or 2			
183057	576-000	Solder Flange	3/8" thru 7/8" ODF	1 or 2					
183061	361-000		7/8" ODF		1 or 2	1 or 2			
183063	361-001		1-1/8" ODF		1 or 2	1 or 2			
183059	577-000		1-1/8" ODF	1 or 2					
183069	742-000		1-1/8" ODF*				1 or 2		
183065	363-000		1-3/8" ODF		1 or 2	1 or 2			
183071	742-001		1-3/8" ODF*				1 or 2		
183067	364-000		1-5/8" ODF		1 or 2	1 or 2			
183073	742-002		1-5/8" ODF*				1 or 2		
183075	742-003	2-1/8" ODF*				1 or 2			
**** †	***	Spring		1	1 or 2	1 or 2	1	1 or 2	1
183106 †	113-000	Spring Guide			1	1		1	
****	213-xxx****			1					
****	956-000						1		
**** †	213-006								1

† TEV Type handled by Parker Refrigerating Specialties Division. Parts listed for reference only. Please contact R/S Division for replacement parts.

\* Flange and bushing are one part.

\*\* Used on H Valve manufactured prior to March 1994.

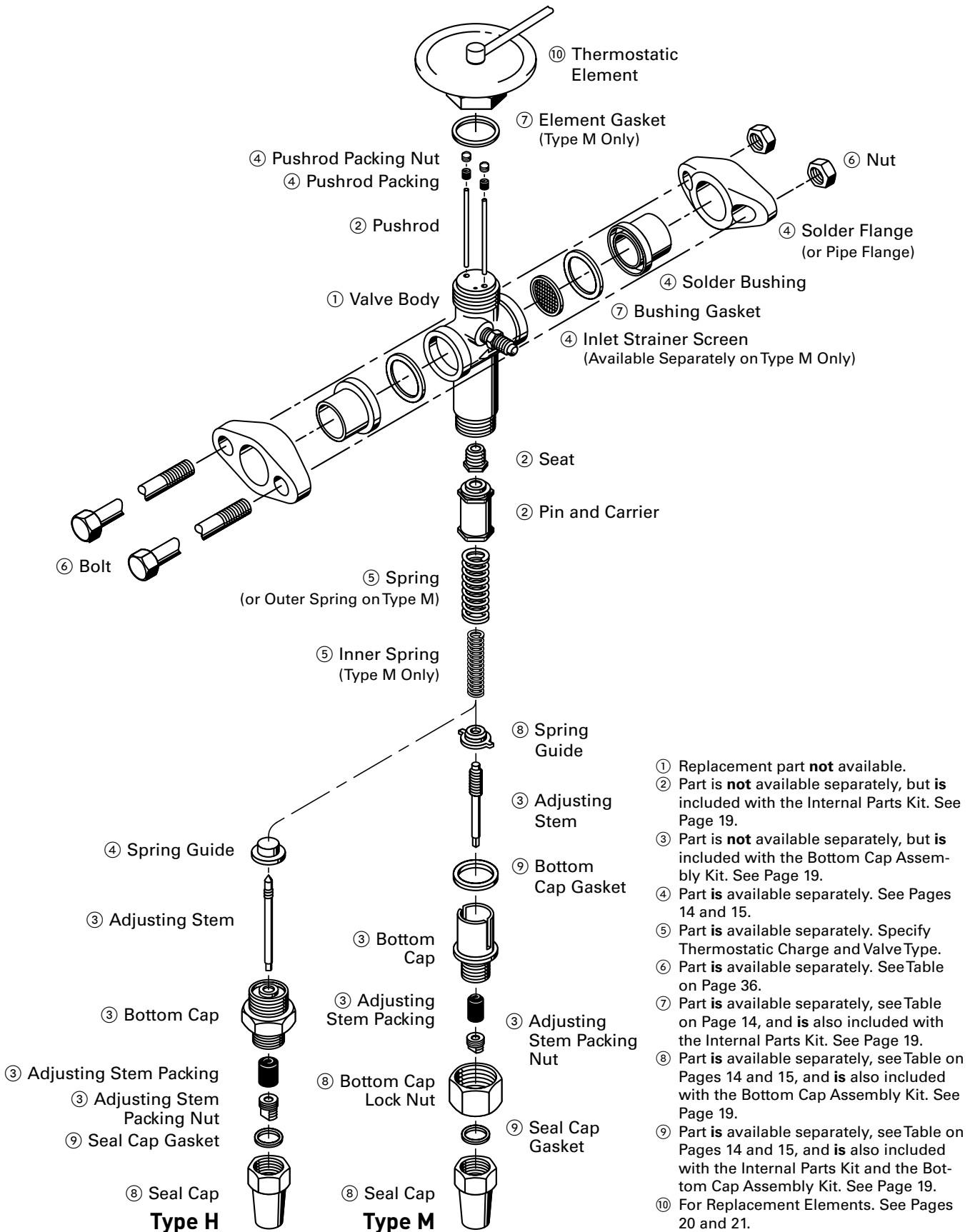
\*\*\* Specify Thermostatic Charge and Valve Type.

\*\*\*\* Not available.



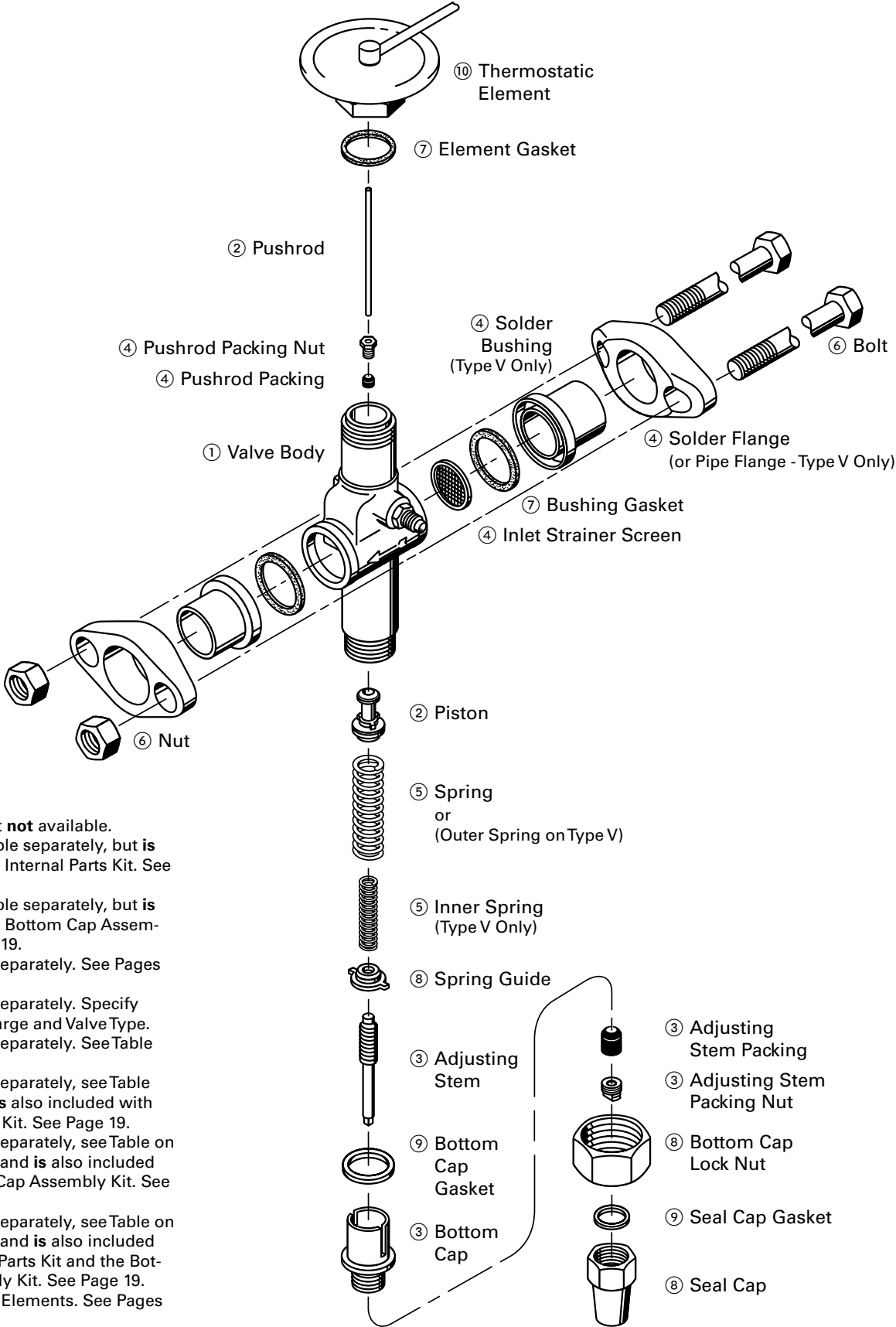
# Thermostatic Expansion Valves H and M Series

See Parts Table on Page 14 or 15



# Thermostatic Expansion Valves V and W Series

See Parts Table on Page 14 or 15

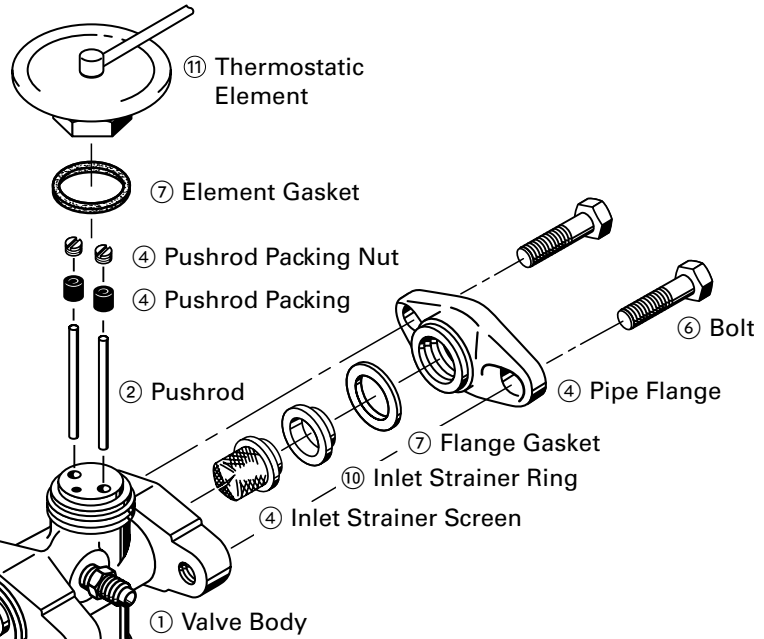
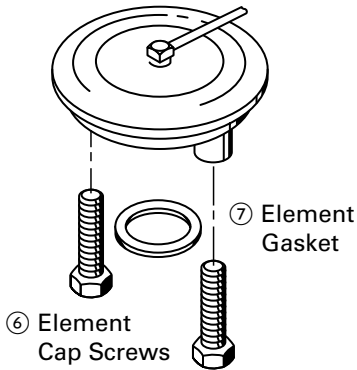


- ① Replacement part **not** available.
- ② Part is **not** available separately, but is included with the Internal Parts Kit. See Page 19.
- ③ Part is **not** available separately, but is included with the Bottom Cap Assembly Kit. See Page 19.
- ④ Part **is** available separately. See Pages 14 and 15.
- ⑤ Part **is** available separately. Specify Thermostatic Charge and Valve Type.
- ⑥ Part **is** available separately. See Table on Page 36.
- ⑦ Part **is** available separately, see Table on Page 14, and **is** also included with the Internal Parts Kit. See Page 19.
- ⑧ Part **is** available separately, see Table on Pages 14 and 15, and **is** also included with the Bottom Cap Assembly Kit. See Page 19.
- ⑨ Part **is** available separately, see Table on Pages 14 and 15, and **is** also included with the Internal Parts Kit and the Bottom Cap Assembly Kit. See Page 19.
- ⑩ For Replacement Elements. See Pages 20 and 21.

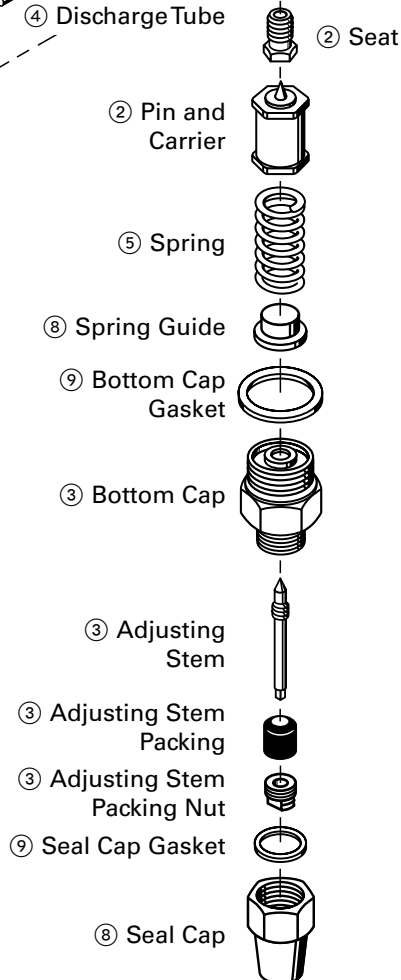
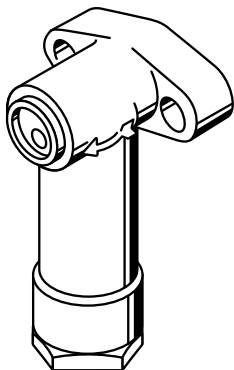
# Thermostatic Expansion Valves D and A Series

See Parts Table on Page 14 or 15

## Type A Valve Element



## XD Strainer Type DA Valve Only



- ① Replacement part **not** available.
- ② Part is **not** available separately, but is included with the Internal Parts Kit. See Page 19.
- ③ Part is **not** available separately, but is included with the Bottom Cap Assembly Kit. See Page 19.
- ④ Part is available separately. See Pages 14 and 15.
- ⑤ Part is available separately. Specify Thermostatic Charge and Valve Type.
- ⑥ Part is available separately. See Table on Page 36.
- ⑦ Part is available separately, see Table on Page 14, and is also included with the Internal Parts Kit. See Page 19.
- ⑧ Part is available separately, see Table on Pages 14 and 15, and is also included with the Bottom Cap Assembly Kit. See Page 19.
- ⑨ Part is available separately, see Table on Pages 14 and 15, and is also included with the Internal Parts Kit and the Bottom Cap Assembly Kit. See Page 19.
- ⑩ Part is available separately. Used in lieu of inlet strainer screen when the XD-074 or 8000 series strainer is used. See Page 14.
- ⑪ For Replacement Elements. See Pages 20 and 21.

# Thermostatic Expansion Valves Replacement Parts Kits

INTERNAL PARTS KITS FOR CURRENT VALVE TYPES						
VALVE TYPE	INTERNAL or EXTERNAL EQUALIZER	NOMINAL CAPACITY Tons of Refrigeration			KIT No.	ITEM No.
		12, 134a	22	404A, 502, 507		

The following Kits contain: 1 Seat, 1 Pin & Carrier, 2 Pushrods, Pushrod Gauge. **Type G valves with external equalizer, Type S valves dated B69 or later and Type C valves dated C70 or later have packless pushrod construction. Due to the close tolerances, kits are not available for packless valves.** The following internal parts kits are not to be used with packless valves.

G	Internal	1/4	1/2	1/4	KP01-0002	183189
		1/2	1	1/2	KP01-0005	183191
		1	1-1/2	1	KP01-0010	183193
		1-1/2	2-1/2	1-1/2	KP01-0015	183195
C	External	1	1-1/2	1	KP02-0010	183201
	Internal	1-1/2	2	1-1/2	KP03-0015	183221
	External	1-1/2	2	1-1/2	KP02-0015	183203
	Internal	2	3	2	KP03-0020	183223
	External	2	3	2	KP02-0020	183205
	Internal	2-1/2	4	3	KP03-0025	183225
	External	2-1/2	4	3	KP02-0025	183207
	Internal	3	5	4	KP03-0030	183227
	External	3	5	4	KP02-0030	183209
	External	6	8	6	KP02-0050	183211
S	Internal	1/4	1/2	1/4	KP03-0002	183215
	Internal	1/4	1/2	1/4	KP03-0005	183217
	External	1/2	1	1/2	KP02-0005	183199
	Internal	1	1-1/2	1	KP03-0010	183219
	External	1	1-1/2	1	KP02-0010	183201
	Internal	1-1/2	2	1-1/2	KP03-0015	183221
	External	1-1/2	2	1-1/2	KP02-0015	183203
	Internal	2	3	2	KP03-0020	183223
	External	2	3	2	KP02-0020	183205
	Internal	2-1/2	4	3	KP03-0025	183225
	External	2-1/2	4	3	KP02-0025	183207
	Internal	3	5	4	KP03-0030	183227
	External	3	5	4	KP02-0030	183209
	External	5	8	6	KP02-0050	183211
External	6	10	7	KP02-0060	183213	

The following Kits contain: 1 Seat, 1 Pin & Carrier, 2 Pushrods, 1 Seal Cap Gasket, Pushrod Gauge.

P	Internal or External	3	5-1/2	3	KP12-0030	183257
		4	7	4	KP12-0040	183259
		5	11	6-1/2	KP12-0050	183261
		8	16	9	KP12-0080	183263
	External	12	20	12	KP12-0120	183265

† TEV Type handled by Parker Refrigerating Specialties Division. Parts listed for reference only. Please contact R/S Division for replacement parts.

INTERNAL PARTS KITS FOR CURRENT VALVE TYPES							
VALVE TYPE	INTERNAL or EXTERNAL EQUALIZER	NOMINAL CAPACITY Tons of Refrigeration				KIT No.	ITEM No.
		12, 134a	22	404A, 502, 507	410A		

The following Kits contain: 1 Seat, 1 Pin & Carrier, 2 Pushrods, 2 Bushing Gaskets, 1 Seal Cap Gasket, Pushrod Gauge.

H	Internal or External	1-1/2	2-1/2	1-1/2	—	KP13-0015	183267
		3	5-1/2	3	—	KP13-0030	183269
		4	7	4	—	KP13-0040	183271
		5	11	6-1/2	—	KP13-0050	183273
		8	16	9	—	KP13-0080	183275
	External	12	20	12	—	KP13-0120	183277

The following Kits contain: 1 Pushrod and Seal Assembly, Piston, Bottom Cap Adjustment Assembly, Pushrod Gauge, and set of instructions.

O	83	External	6	10	6	20	KP19-0060	183285
			9	15	9	25	KP19-0090	183287
			12	20	12	—	KP19-0120	183289
			16	30	21	35	KP19-0160	183291
			23	40	30	—	KP20-0230	183293
	33		32	55	35	50	KP20-0320	183295
			40	70	45	60	KP20-0400	183297

The following Kits contain: 1 Seat, 1 Pin & Carrier, 2 Pushrods; the following gaskets: 1 Element, 2 Bushings, 1 Bottom Cap, 1 Seal Cap, Pushrod Gauge.

M	External	5	8	—	—	KP08-0050	183229
		7-1/2	12	9	—	KP08-0075	183231
		11	18	—	—	KP08-0110	183233
		13	21	15	—	KP08-0130	183235
		15	26	20	—	KP08-0150	183237
		20	34	25	—	KP08-0200	183239
		25	42	30	—	KP08-0250	183241

The following Kits contain: 1 Element Gasket, 2 Bushing Gaskets, 1 Bottom Cap Gasket, 1 Seal Cap Gasket, 1 Pushrod, 1 Pushrod Gauge, 1 Piston Assembly, 1 Seat Refinishing Tool with Grit Cloth, 1 Set of Instructions. These Kits are for use with V Valves dated B65 or later and for W Valves dated A66 or later. See Bulletin 210-40-2.

V	External	35	52	38	—	KP16-0350	183279
		45	70	50	—	KP16-0450	183281
		55	100	70	—		
W	External	80	135	100	—	KP17-0800	183283
		110	180	130	—		

### REFRIGERANT 717 (Ammonia)

The following Kits contain: 1 Seat, 1 Pin & Carrier, 2 Pushrods; the following gaskets: 1 Element, 2 Flanges, 1 Bottom Cap, 1 Seal Cap, Pushrod Gauge.

D	Internal or External	1, 2	—	—	—	KP10-0010	†
		5	—	—	—	KP10-0050	†
A	Internal or External	10, 15	—	—	—	KP10-0100	†
		20, 30	—	—	—	KP09-0200	†
		50, 75	—	—	—	KP09-0500	†
		100	—	—	—	KP09-1000	†

### BOTTOM CAP ASSEMBLY KITS FOR THERMOSTATIC EXPANSION VALVES

VALVE TYPE	BOTTOM CAP ASSEMBLY KIT NUMBER	ITEM NO.	DESCRIPTION OF CONTENTS
(E)G, (E)BS, (E)C, (E)MC, (E)S	KA-8	183011	1 Adjustment Assembly
P, H, U	KA-3	183005	1 Spring Guide, 1 Seal Cap
X*	KA-5X	183007	1 Seal Cap Gasket (KA-3)
ER (small), (E)F, (E)BF, (E)SBF, (E)Q, (E)SQ, (E)BQ, (E)SBQ	KA-4	183006	1 Adjustment Assembly
BI*, I*, RI	KA-I/BI	183013	1 Seal Cap
RC, ER (large), (E)CBI*, (E)CBBI*	KA-Y1132	183048	
M, V, K	KA-6	183009	1 Adjustment Assembly
W	KA-7	183010	1 Spring Guide, 1 Seal Cap
A	KA-1	183001	1 Bottom Cap Gasket (except KA-2)
DA	KA-2	183003	1 Bottom Cap Locknut (except KA-2) 1 Seal Cap Gasket

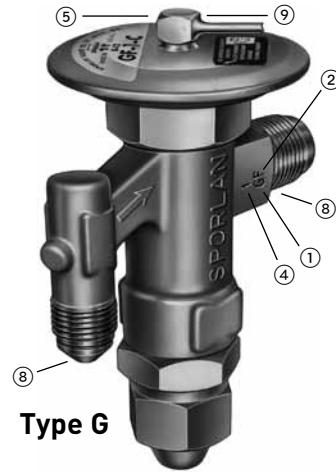
\* For TEVs with straight through connections only.

# Thermostatic Expansion Valves

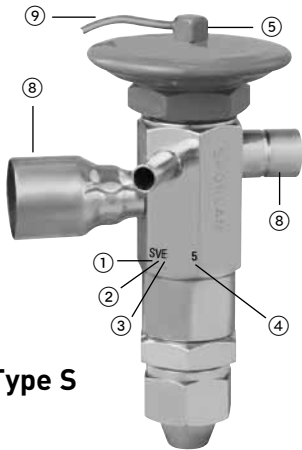
## Identifying Sporlan TEVs

To completely identify a SPORLAN Thermostatic Expansion Valve the following information is required:

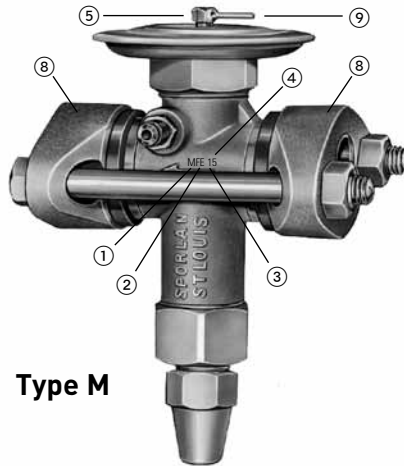
- ① Type of valve (body style)
- ② Refrigerant
- ③ External equalizer
- ④ Capacity in tons of refrigerant or port size
- ⑤ Type of Thermostatic Charge
- ⑥ Thermostatic bulb size if other than standard
- ⑦ Suffix letters - if any - indicate permanent bleed port or Rapid Pressure Balancer construction (All valves except Type A & D)
- ⑧ Inlet and outlet connection sizes and style
- ⑨ Capillary tubing length
- ⑩ Prefix letters or numbers if any



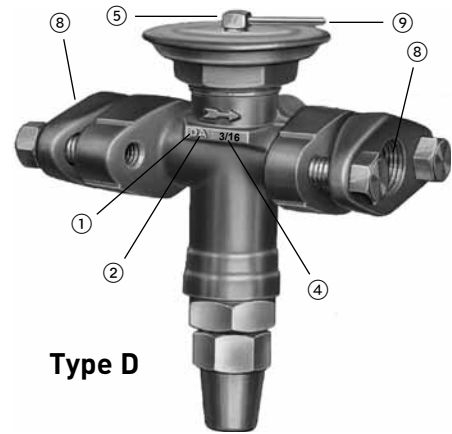
**Type G**



**Type S**



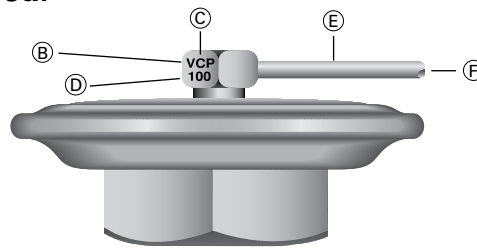
**Type M**



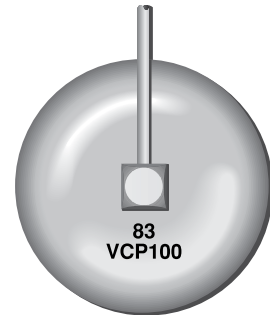
**Type D**

To completely identify a SPORLAN Thermostatic Element the following information is required:

- Ⓐ Element size number
- Ⓑ Refrigerant
- Ⓒ Thermostatic Charge
- Ⓓ MOP (Maximum Operating Pressure) if other than standard
- Ⓔ Capillary tubing length
- Ⓕ Bulb size if other than standard



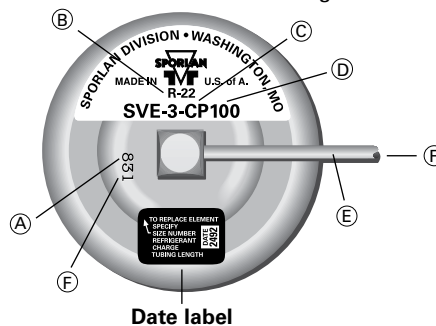
**Lock ring**



Replaceable Thermostatic Elements manufactured after 1991 had the element number and thermostatic charge marked on top of the element.

### Refrigerant Designation, Letter and Color Code Used on Decals

H - R-11 - Blue	J - R-134a - Blue
F - R-12 - Yellow	L - R-402A - Sand
E - R-13 - Blue	S - R-404A - Orange
T - R-13B1 - Blue	Z - R-410A - Pink
V - R-22 - Green	D - R-500 - Orange
G - R-23 - Blue	R - R-502 - Purple
B - R-114 - Blue	W - R-503 - Blue
Q - R-124 - Green	P - R-507 - Teal
X - R401A - Coral	A - R-717 - White



**Date label**

# Thermostatic Expansion Valves

## Identifying Sporlan TEVs

**Table A**

THERMOSTATIC ELEMENT KITS		
Specify Refrigerant, Thermostatic Charge & Tubing Length		
CURRENT VALVE TYPES		
VALVE TYPE	KIT NUMBER	KIT CONTENTS
A	KT-12	①
D	KT-23	
P, H, O Large	KT-33	
O Large (R-410A)	KT-85-3	
(E)Q, SQ, (E)BQ, SBQ, (E)F, (E)BF, SBF, ER Small, RC	KT-43	②
(E)BQ, SBQ, ER Small, RC (R-410A)	KT-45	
ER Large	KT-45-5	
(E)G, X, (E)MC	KT-53	①
M, V, W Small	KT-63	
W Large	KT-7	
C, S, EBS, O Small	KT-83	
O Small (R-410A)	KT-85	②

- ① 1 Thermostatic Element, 2 Bulb Clamps, 1 Top Gasket, Instruction Bulletin.
- ② 1 Thermostatic Element, 2 Bulb Clamps, Instruction Bulletin.

**Table B**

RECOMMENDED THERMOSTATIC CHARGES				
REFRIGERANT	AIR CONDITIONING OR HEAT PUMP	COMMERCIAL REFRIGERATION +50 °F to -10 °F	LOW TEMPERATURE REFRIGERATION 0 °F to -40 °F	EXTREMELY LOW TEMPERATURE REFRIGERATION -40 °F to -100 °F
12	FCP60	FC	Z, FZP	—
22	VCP100, VGA	VC	VZ, VZP40	VX
134a	JCP60	JC	—	—
401A	XCP60	XC	—	—
402A	—	LC	LZ, LZP	LX
404A	SCP115	SC	SZ, SZP	SX
410A	ZCP180, ZGA	—	—	—
502	RCP115	RC	RZ, RZP	RX
507	—	PC	PZ, PCP	PX

The Sporlan Type ZP thermostatic charges have essentially the same characteristics as the conventional Z cross charges with one exception. They produce a pressure limit or MOP. The ZP charges are not intended as replacements for the Z charges -- they should only be used where a definite pressure limit is required to prevent motor overloading.

A conventional Type L liquid charge is also available for all commonly used refrigerants in most of our element sizes.

Further identification of the element is provided by the use of two or three letters and sometimes two or three numbers stamped on the capillary button of the diaphragm case. The first letter indicates the refrigerant and the second letter (and third if used) the selective charge of the element. Numbers, if used, indicate a special MOP or maximum operating pressure. The Selective Charges C, CP, JC, Z, ZP, VGA, L and X are generally applied in the range of temperatures shown in the Table B.

A Type VCP, Refrigerant 22 air conditioning or heat pump charge with a 100 psig limit is stamped "VCP100".

**Table C**

GA, CP, and ZP CHARGED VALVES			
Table C lists the standard Type "P" charge MOP's.			
REFRIGERANT	THERMOSTATIC CHARGE*	MOP-PSIG FACTORY AIR TEST	NOMINAL SYSTEM
12	FCP60	60	50
	FZP	20	12
22	VGA	110	100**
	VCP100	100	90
	VZP40	40	30
	VZP	30	20
134a	JCP60	60	50
401A	XCP60	60	50
402A	LZP	45	35
404A	SCP115	115	105
	SZP	45	35
410A	ZGA	N/A	200**
	ZCP180		170
502	RCP115	115	105
	RZP	45	35
507	PZP	45	35

- \* A numeric suffix on a thermostatic charge designation indicates a special MOP. Omission of the number indicates standard MOP as shown.
- \*\* Not as well defined as the other Type "P" charges listed in this table.

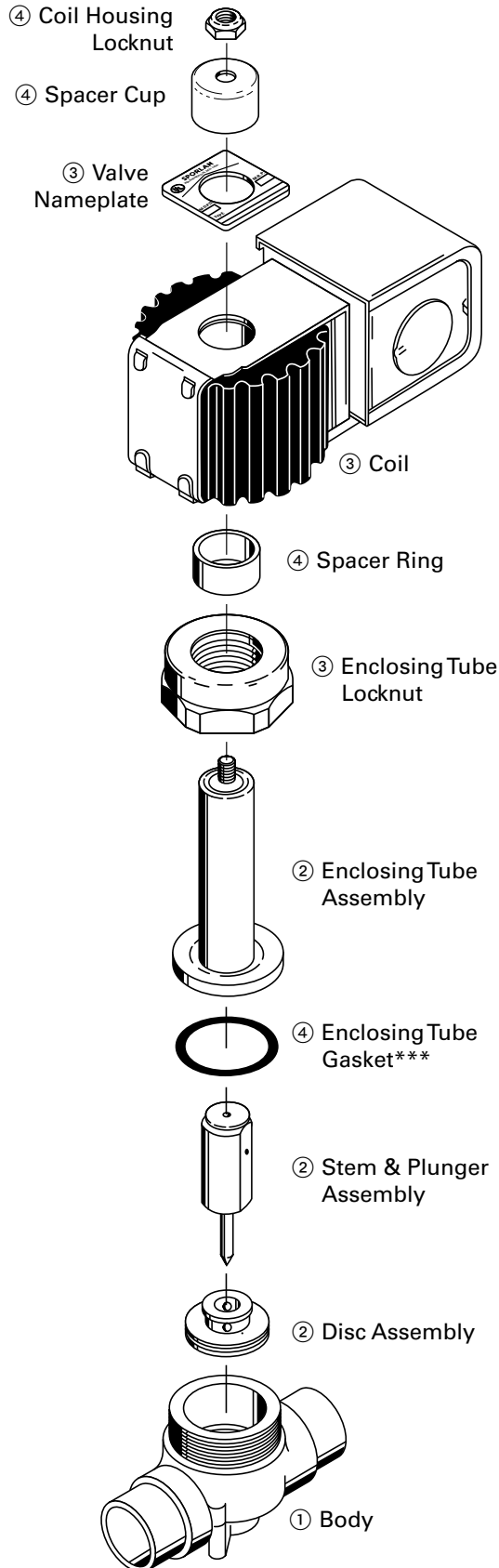
**Table D**

BULB STRAP KITS FOR THERMOSTATIC EXPANSION VALVES			
VALVE TYPE	R-22** NOMINAL TONNAGE	KIT NUMBER	ITEM NUMBER
A	R-717 20 thru 100	KT-131-E	183358
BF*	AAA thru C	KT-131-A	183350
C	4 thru 8	KT-131-B	183352
D	R-717 1 thru 15	KT-131-E	183358
EBF*	AAA thru C	KT-131-A	183350
EBS	8 thru 20	KT-131-C	183354
EG*	1/5 thru 3	KT-131-A	183350
F*	1/4 thru 3		
G*	1/5 thru 3		
H	2-1/2 thru 20	KT-131-C	183354
M	21 thru 34		
M	42	KT-131-D	183356
NI	1/4 thru #1	KT-131-A	183350
O Large	40 thru 70	KT-131-D	183356
O Small	15 thru 30	KT-131-C	183354
P	All		
RI	2 thru 5	KT-131-B	183352
ER Small, RC	1 thru 8		
ER Large	10 thru 12	KT-131-C	183354
S	2 thru 5	KT-131-B	183352
S	8 thru 15	KT-131-C	183354
SBF*	AAA thru C	KT-131-A	183350
V	52 thru 100	KT-131-D	183356
W	135 & 180		

- \* For applications with an external equalizer use kit number KT-131-B.
- \*\* The R-22 nominal tonnage is used as a reference except as noted. Hex bolt for bulb strap Item No. 183502, P/N 137-000 Nut for bulb strap Item No. 183504, P/N 138-000

# Solenoid Valves

## X Rapid Cycle Series



RAPID CYCLE SOLENOID VALVE REPLACEMENT PARTS								
ITEM NUMBER	PART NUMBER and DESCRIPTION		VALVE TYPE and QUANTITY OF PART REQUIRED PER VALVE					
			XWG	XXF	XUP*	XRN*	XRM*	XPO*
382009	1025-7	Coil Housing	1	1	1			
382005	1025-1	Locknut				1	1	1
382145	13128-2	Enclosing Tube Locknut					1	
382150	13252-1				1			
382155	13256-2			1	1			
382165	13552-1						1	
380103	14000-1	Enclosing Tube Gasket***		1	1			
380104	14000-2					1		
380100	14000-3						1	
380101	14000-4							1
382008	14115	Valve Nameplate	Specify valve type, voltage, & frequency					
—	2371-13	Spacer Ring						1
382060	2371-16					1		
382011	2371-24						1	
382012	15583-1			1	1			
382025	15583-2	Spacer Cup	1					
382013	15582-1							
382033	15582-4			1	1			
382014	2717-7					1	1	1
—	OMKC-1**	Coil	1	1	1			
—	OMKC-2**					1	1	1

\* Valves with the suffix "-1, -2, -3" etc. use the same parts.  
 \*\* Specify Voltage and Frequency.  
 \*\*\* See Table below regarding part numbers for the enclosing tube gasket and the new wolverine gasket.

Item Number	New Style Wolverine Gasket	Item Number	Old Style Tetraseal Gasket
380103	14000-1	183655	641-1
380104	14000-2	183660	641-3
380100	14000-3	183665	641-4
380101	14000-4	183670	641-5
380102	14000-5	183675	2645-000

B and E series Solenoid Valves have been redesigned. The new design can be easily identified as a thin, synthetic coated metal gasket, known as a Wolverine gasket. The old gasket is a thicker type of O-ring with a square cross section, known as a tetraseal. See the partial cross section of the valve body above.

The gaskets and the enclosing tubes of the two designs are not interchangeable. The new enclosing tube assembly is included in the replacement parts kit. Page 35.

- ① Replacement part **not** available.
- ② Part is **not** available separately, but **is** included with the Disc Parts Kit. See Page 35.
- ③ Part **is** available separately. See Table above.
- ④ Part **is** available separately, and **is** included with the Disc Parts Kit. See Page 35.

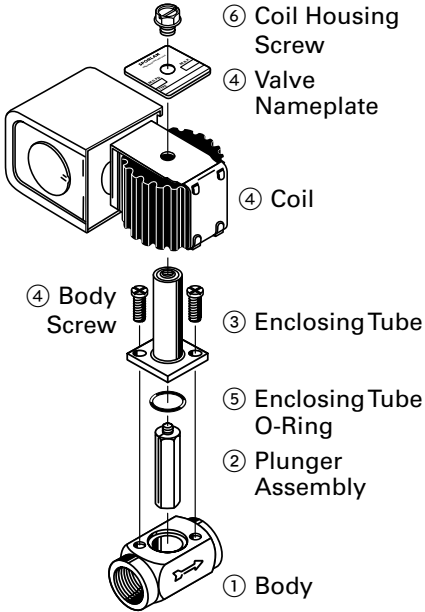
# Solenoid Valves

## W, R and XOF/XJH Industrial Series

INDUSTRIAL SOLENOID VALVE REPLACEMENT PARTS											
ITEM NUMBER	PART NUMBER and DESCRIPTION		VALVE TYPE and QUANTITY OF PART REQUIRED PER VALVE								
			W3	W6	W14	W19	W25	R183	R184	R246	XOF/XJH
382270	2071-3	Body Screw	2								4
382016	13444-1	Closing Spring			1						
382175	13683-1					1	1				
958101	1390-000	Coil Housing Screw	1	1	1	1	1	1	1	1	1
382008	14115	Valve Nameplate	Specify valve type, voltage, and frequency								
183715	1328-14	Enclosing Tube O-Ring	1								
—	621-15										1
183605	638-132	Enclosing Tube Gasket*						1	1	1	
380103	14000-1			1							
380100	14000-3				1						
380101	14000-4					1					
380102	14000-5						1				
382145	13128-2	Enclosing Tube Locknut			1						
382155	13256-2			1							
382165	13552-1					1					
382170	13681-1						1				
382017	15052-4	Flange Plate Bolt						4	4	4	
—	MKC-1	Coil (specify voltage & frequency)	1	1				1	1	1	1
—	MKC-2				1	1	1				

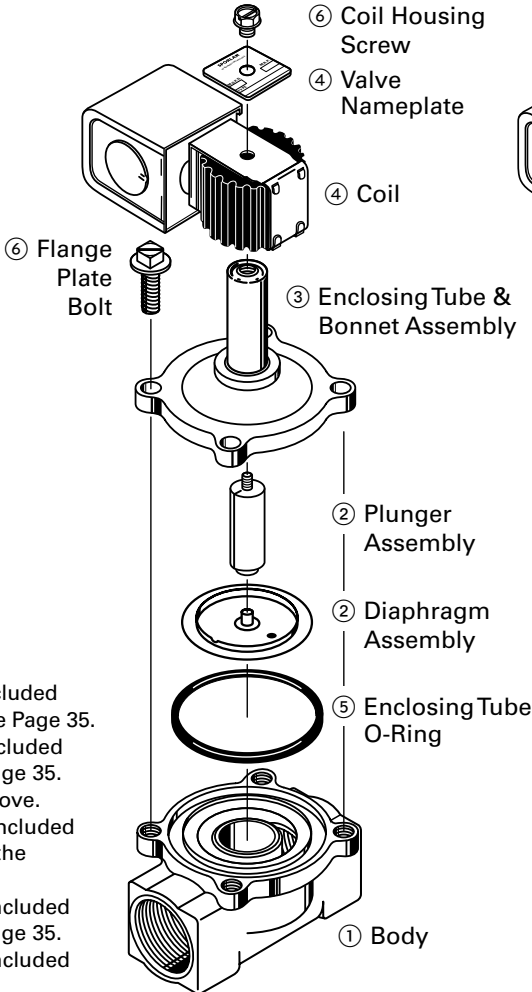
\* See Table on Page 22 regarding part numbers for the enclosing tube gasket and the new wolverine gasket.

### Type W3, XOF, XJH

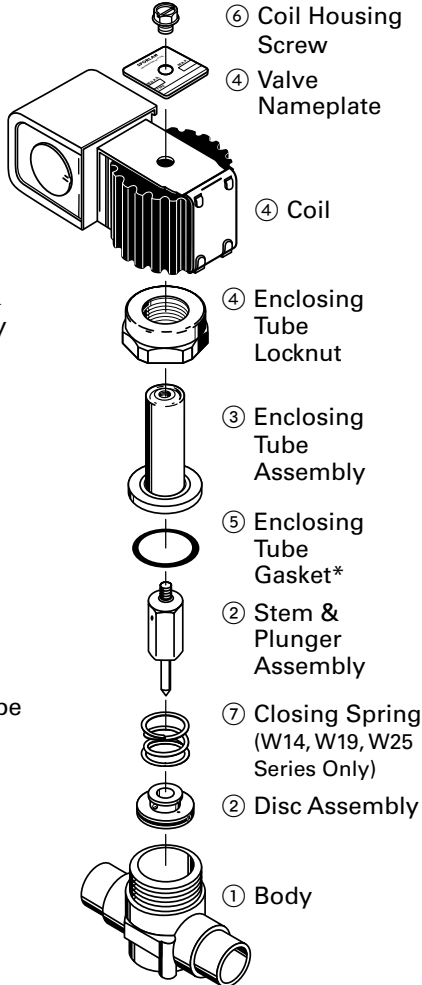


- ① Replacement part **not** available.
- ② Part is **not** available separately, but is included with the Disc or Diaphragm Parts Kit. See Page 35.
- ③ Part is **not** available separately, but is included with the Enclosing Tube Parts Kit. See Page 35.
- ④ Part is available separately. See Table above.
- ⑤ Part is available separately, and is also included with the Disc or Diaphragm Parts Kit or the Enclosing Tube Parts Kit. See Page 35.
- ⑥ Part is available separately and is also included with the Enclosing Tube Parts Kit. See Page 35.
- ⑦ Part is available separately and is also included with the Disc Parts Kit. See Page 35.

### Type R183, R184, R246



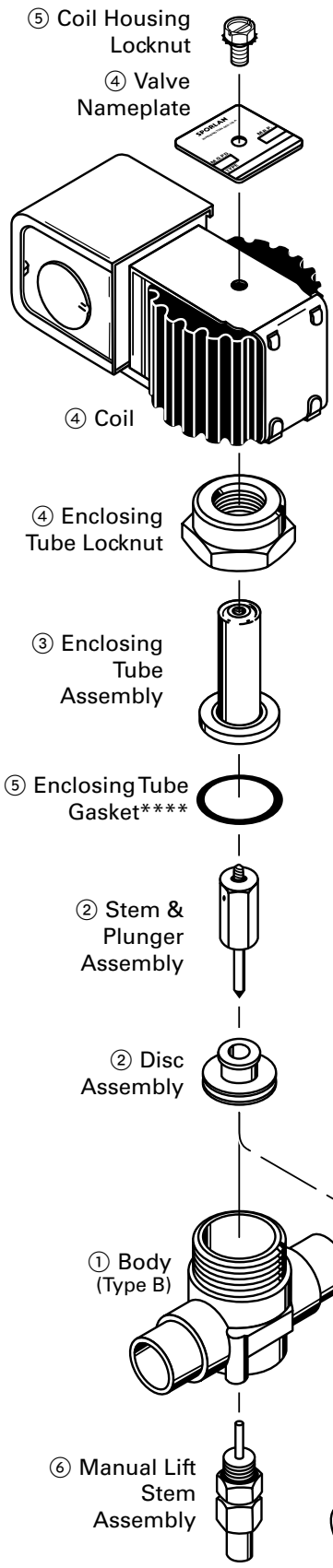
### Type W6 to W25





# Solenoid Valves

## Normally Closed Series



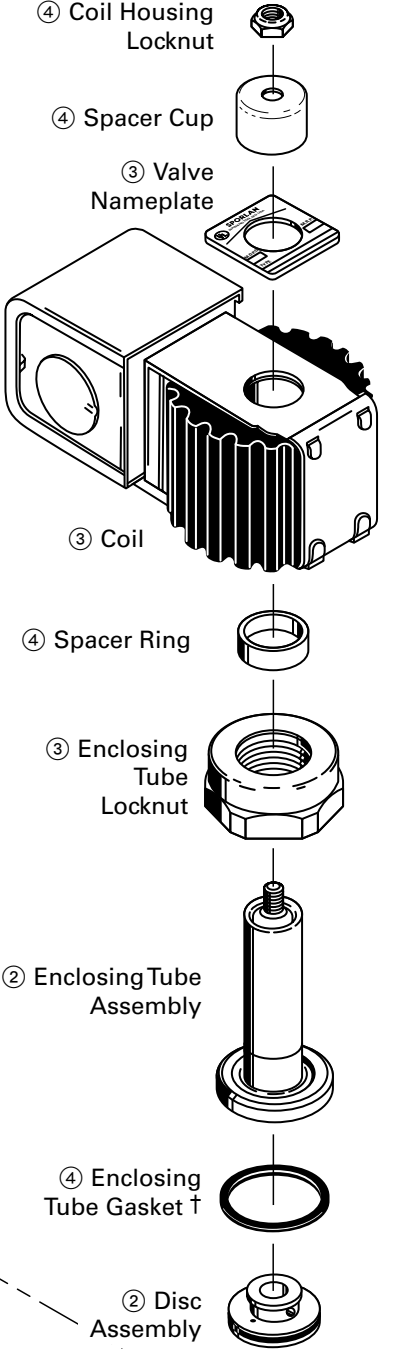
NORMALLY CLOSED SOLENOID VALVE REPLACEMENT PARTS																
ITEM NO.	PART NUMBER and DESCRIPTION		VALVE TYPE and QUANTITY OF PART REQUIRED PER VALVE													
			3	5	6	9	10	14	19	25	33*	34**	35***	42**		
382018	13850-2															1
382021	14339-1	Closing Spring											1	1		
—	15766-1														1	
958101	1390-000	Coil Housing Screw	1	1	1	1	1	1	1	1	1	1	1	1	1	1
382145	13128-2							1	1							
382150	13252-1								1				1	1		1
382155	13256-2	Enclosing Tube Locknut				1										1
382165	13552-1									1						
382170	13681-1										1					
380103	14000-1					1										1
380104	14000-2						1						1	1		1
380100	14000-3	Enclosing Tube Gasket****						1	1							
380101	14000-4										1					
380102	14000-5											1				
—	621-008	Body Flange O-Ring											1			
183608	621-011	Body Flange O-Ring (E35, small)														1
968030	621-036	Body Flange O-Ring (E35, large)														1
183675	2645-000	Body Flange Gasket											1	1		
183710	938-1	Body Flange Flat Gasket														1
382260	21007-7															4
—	21028-7	Flange Plate Bolts														4
382255	4208-4												4	4		
382580	2003-1	Seal Cap (For Manual Lift Stem)				1	1	1	1	1	1	1	1	1	1	
—	348-1	Seal Cap Gasket														1
—	349	Seal Cap Gasket														1
382575	352-3	Packing Nut														1
382560	462-1	Packing														1
382545	934-1	Manual Lift Stem														1
183049	368-000															1 or 2
183053	368-001	Solder Bushing														1 or 2
183055	370-000															1 or 2
183750	123-000	Metal Bushing Gasket														2
183063	361-001															1 or 2
183065	363-000	Solder Flange														1 or 2
183067	364-000															1 or 2
382008	14115	Valve Nameplate														
—	MKC-1	Coil		1	1	1										1
—	MKC-2	Coil (specify voltage and frequency)					1	1	1	1	1	1	1	1	1	1
382609	4325-000	MKC-1 and MKC-2 Junction Box Cover	1	1	1	1	1	1	1	1	1	1	1	1	1	1

- ① Replacement part **not** available.
- ② Part is **not** available separately, but **is** included with the Disc Parts Kit. See Page 35.
- ③ Part is **not** available separately, but **is** included with the Enclosing Tube Parts Kit and Disc Parts Kit. See Page 35.
- ④ Part **is** available separately. See Table above.
- ⑤ Part **is** available separately, and **is** also included with the Disc Parts Kit or the Enclosing Tube Parts Kit. See Page 35.
- ⑥ Part **is** available separately as a Manual Lift Stem Kit. See Page 35.
- \* Refer to drawing on Page 26.
- \*\* Refer to drawing on Page 27.
- \*\*\* Refer to drawing on Page 28.
- \*\*\*\* See Table on Page 22 regarding part numbers for the enclosing tube gasket and the new Wolverine gasket.

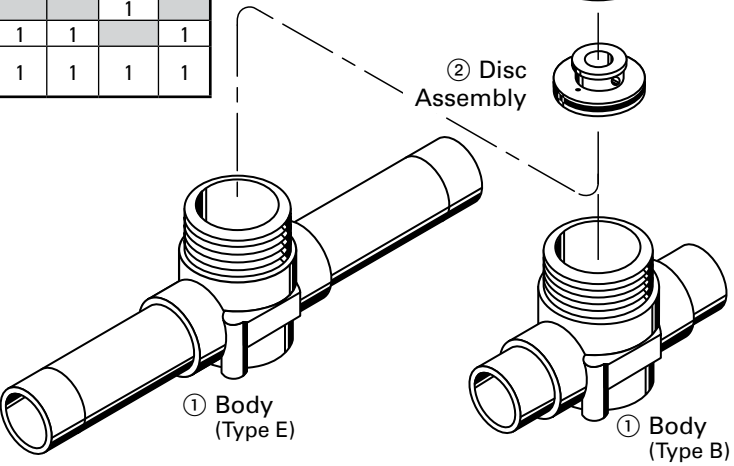
# Solenoid Valves

## Normally Open Series

NORMALLY OPEN SOLENOID VALVE REPLACEMENT PARTS			VALVE TYPE and QUANTITY OF PART REQUIRED PER VALVE									
ITEM NO.	PART NUMBER and DESCRIPTION		9	10	14	19	25	33*	34**	35***	42**	
			382018	13850-2								
382021	14339-1	Closing Spring						1	1			
—	15766-1										1	
382005	1025-1	Coil Housing Locknut	1	1	1	1	1	1	1		1	
382009	1025-7										1	
382145	13128-2	Enclosing Tube Locknut		1	1							
382150	13252-1		1					1	1		1	
382155	13256-2										1	
382165	13552-1					1						
382170	13681-1						1					
380103	14000-1	Enclosing Tube Gasket †										1
380104	14000-2		1					1	1		1	
380100	14000-3			1	1							
380101	14000-4					1						
380102	14000-5						1					
—	621-008	Body Flange O-Ring						1				
183608	621-011	Body Flange O-Ring (E35, small)										1
968030	621-036	Body Flange O-Ring (E35, large)										1
183675	2645-000	Body Flange Gasket						1	1			
183710	938-1	Body Flange Flat Gasket										1
382260	21007-7	Flange Plate Bolts										4
—	21028-7											
382255	4208-4							4	4			
183049	368-000	Solder Bushing	1-1/8					1 or 2				
183053	368-001		1-3/8					1 or 2				
183055	370-000		1-5/8					1 or 2				
183750	123-000	Metal Bushing Gasket						2				
183063	361-001	Solder Flange	1-1/8					1 or 2				
183065	363-000		1-3/8					1 or 2				
183067	364-000		1-5/8					1 or 2				
382003	2527-1	Spacer Ring	5/91 to Present	1					1		1	
382050	2371-14		Prior to 8/90	1				1****	1		1	
382060	2371-16	Spacer Ring	Present		1	1						
382045	2371-11		Present			1						
382019	2371-21		8/90 and 4/91	1						1		1
382035	2371-7		Present			1						
382026	2717-5	Spacer Cup	Prior to 8/90	1				1****	1		1	
382027	2717-6				1	1	1	1	1	1	1	1
—	15582-6										1	
382008	14115	Valve Nameplate	Specify valve type, voltage, & frequency									
—	OMKC-1	Coil (specify voltage & frequency)									1	
—	OMKC-2		1	1	1	1	1	1	1	1	1	1
382609	4325-000	MKC-1 and MKC-2 Junction Box Cover	1	1	1	1	1	1	1	1	1	1

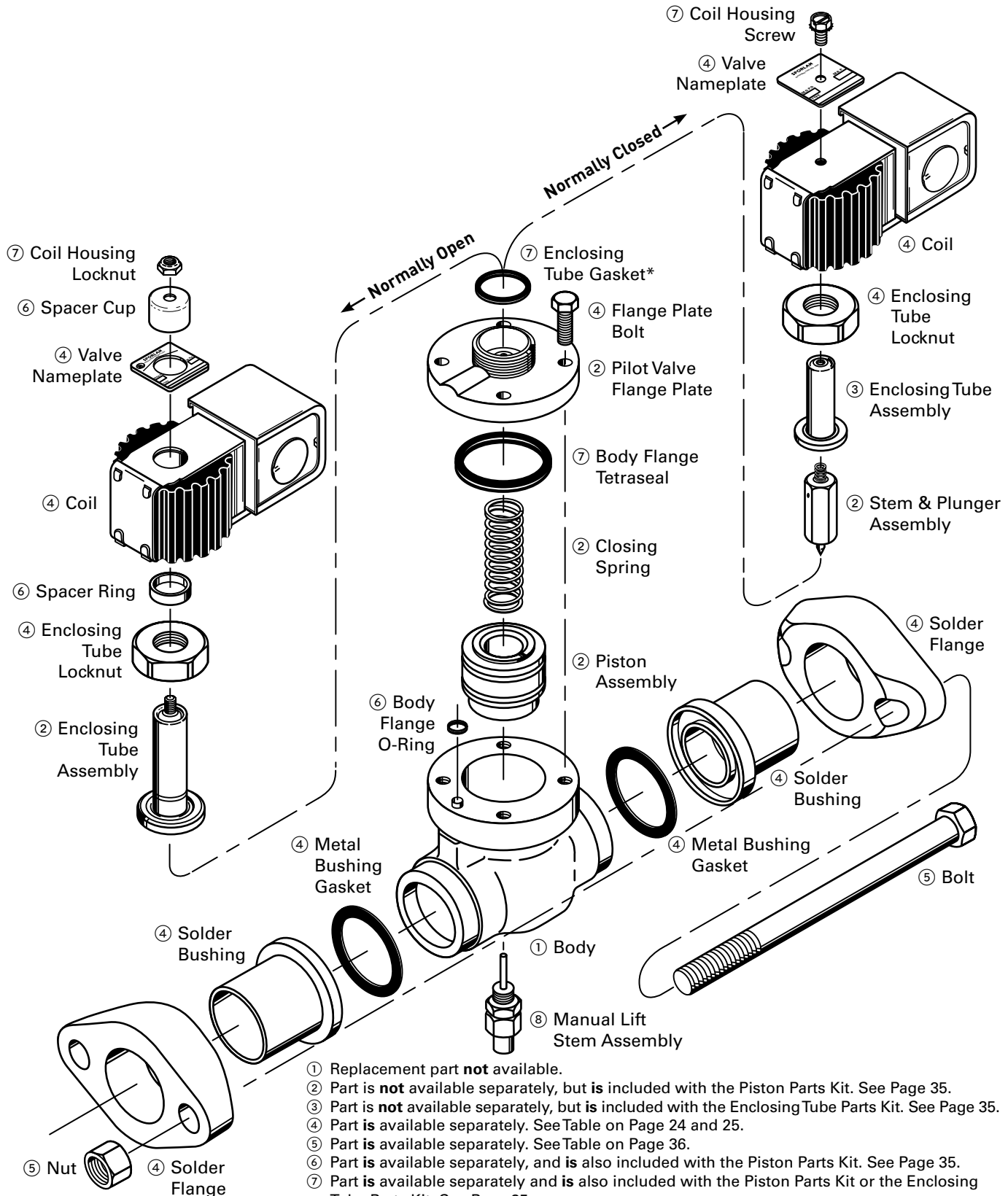


① Replacement part **not** available.  
 ② Part is **not** available separately, but is included with the Disc Parts Kit. See Page 35.  
 ③ Part is available separately. See Table above.  
 ④ Part is available separately and is also included with the Disc Parts Kit. See Page 35.  
 \* Refer to drawing on Page 26.  
 \*\* Refer to drawing on Page 27.  
 \*\*\* Refer to drawing on Page 28.  
 \*\*\*\* Still present part number.  
 † See Table on Page 22 regarding part numbers for the enclosing tube gasket and the new wolverine gasket.



# Solenoid Valves (O)(M)B33 Series

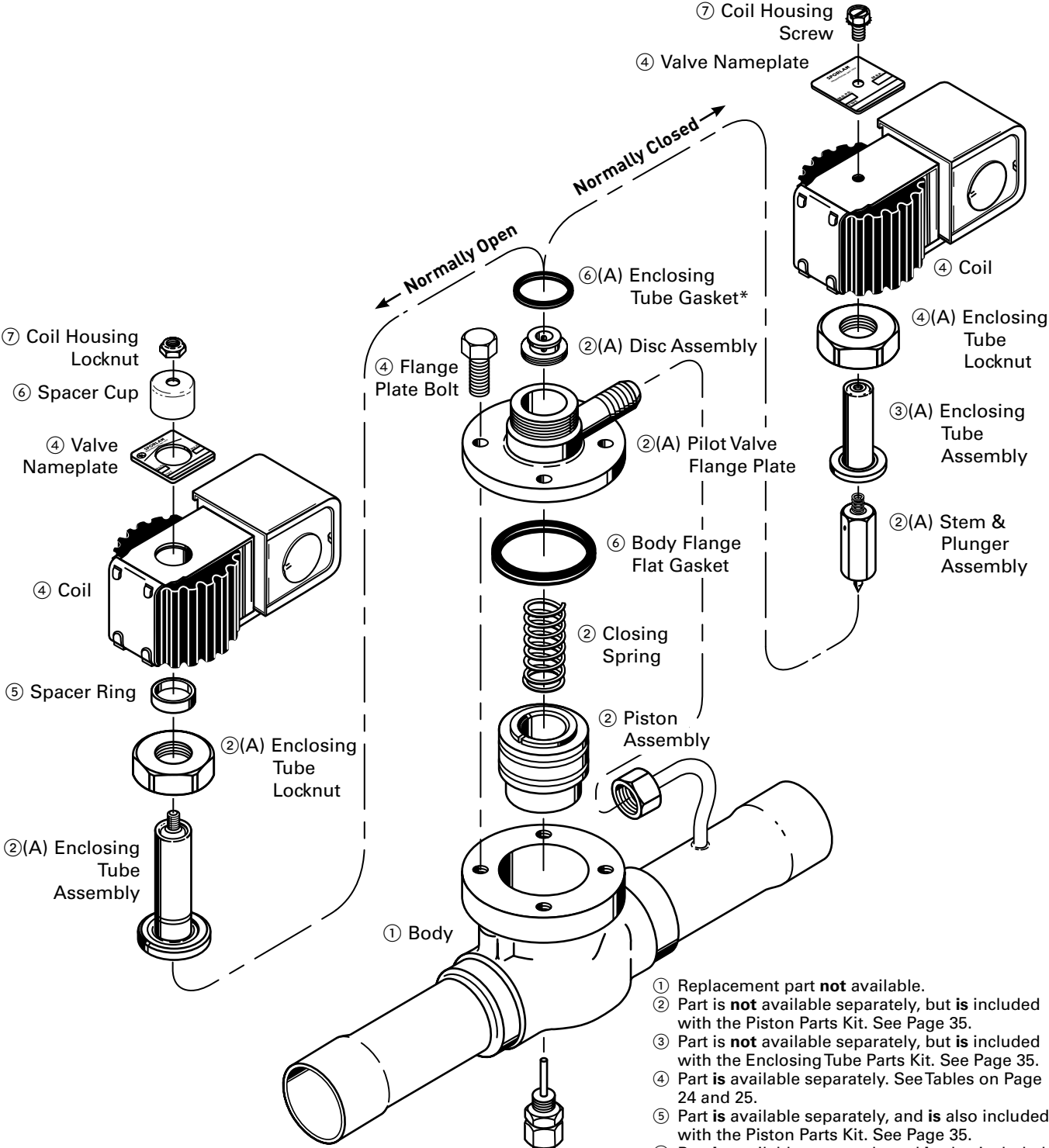
See Parts Table on Page 24 and 25



- ① Replacement part **not** available.
  - ② Part is **not** available separately, but **is** included with the Piston Parts Kit. See Page 35.
  - ③ Part is **not** available separately, but **is** included with the Enclosing Tube Parts Kit. See Page 35.
  - ④ Part **is** available separately. See Table on Page 24 and 25.
  - ⑤ Part **is** available separately. See Table on Page 36.
  - ⑥ Part **is** available separately, and **is** also included with the Piston Parts Kit. See Page 35.
  - ⑦ Part **is** available separately and **is** also included with the Piston Parts Kit or the Enclosing Tube Parts Kit. See Page 35.
  - ⑧ Part **is** available separately as a Manual Lift Stem Kit. See Page 35.
- \* See Table on Page 22 regarding part numbers for the enclosing tube gasket and the new wolverine gasket.

# Solenoid Valves (O)(M)E34 and (O)(M)E42 Series

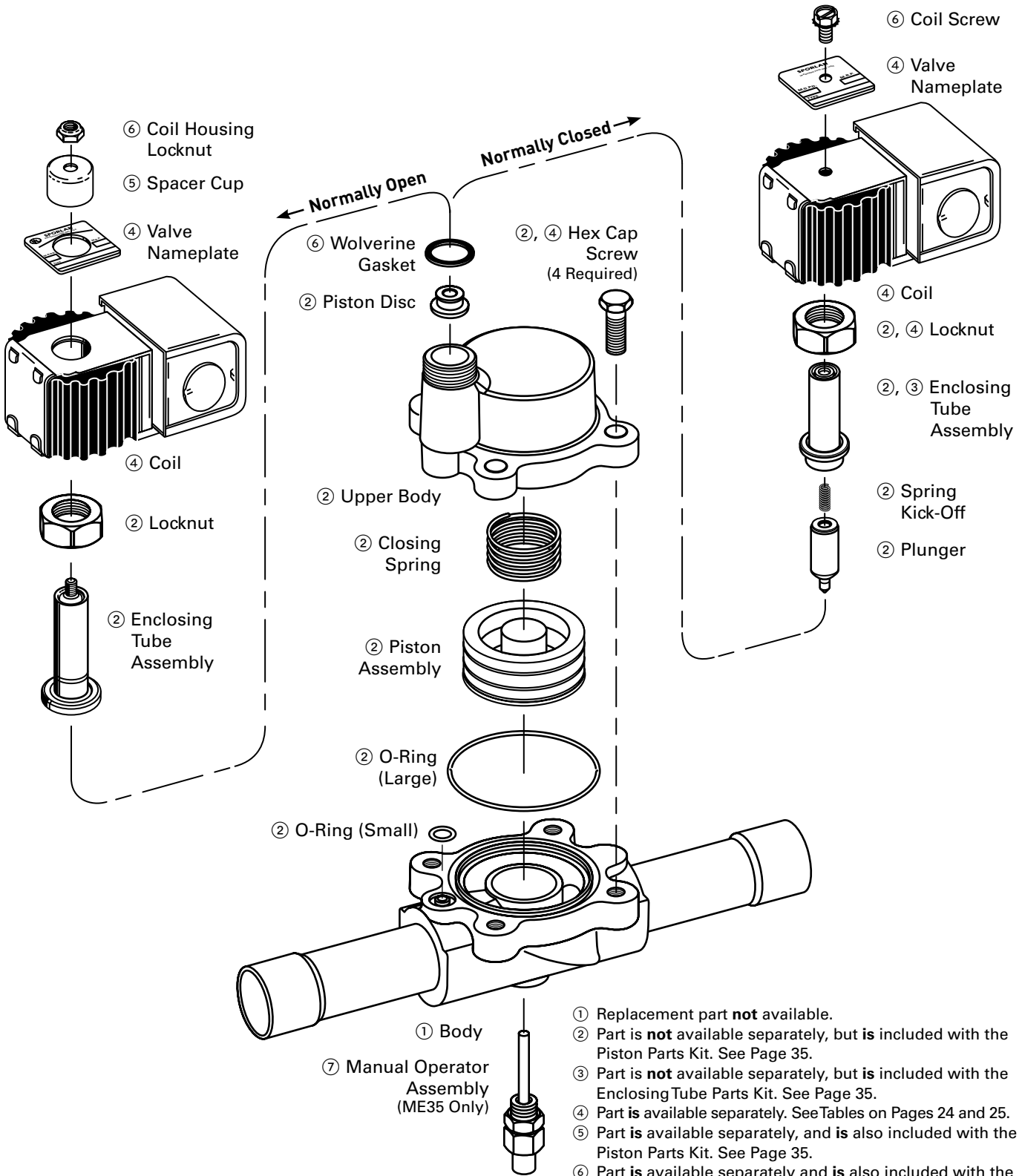
See Parts Table on Page 24 and 25



- ① Replacement part **not** available.
- ② Part is **not** available separately, but is included with the Piston Parts Kit. See Page 35.
- ③ Part is **not** available separately, but is included with the Enclosing Tube Parts Kit. See Page 35.
- ④ Part is available separately. See Tables on Page 24 and 25.
- ⑤ Part is available separately, and is also included with the Piston Parts Kit. See Page 35.
- ⑥ Part is available separately and is also included with the Piston Parts Kit or the Enclosing Tube Parts Kit. See Page 35.
- ⑦ Part is available separately as a Manual Lift Stem Kit. See Page 35.
- (A) Part is included in the Upper Valve Assembly.
- \* See Table on Page 22 regarding part numbers for the enclosing tube gasket and the new wolverine gasket.

# Solenoid Valves (O)(M)E35 Series

See Parts Table on Page 24 and 25



- ① Replacement part **not** available.
- ② Part is **not** available separately, but is included with the Piston Parts Kit. See Page 35.
- ③ Part is **not** available separately, but is included with the Enclosing Tube Parts Kit. See Page 35.
- ④ Part is available separately. See Tables on Pages 24 and 25.
- ⑤ Part is available separately, and is also included with the Piston Parts Kit. See Page 35.
- ⑥ Part is available separately and is also included with the Piston Parts Kit or the Enclosing Tube Parts Kit. See Page 35.
- ⑦ Part is available separately as a Manual Lift Stem Kit. See Page 35.

# Solenoid Valves

## Flange Series

SOLENOID VALVE REPLACEMENT PARTS									
ITEM NUMBER	PART NUMBER and DESCRIPTION DRAWINGS ON PAGES 30 and 31			VALVE TYPE and QUANTITY OF PART REQUIRED PER VALVE					
				MA5 † ②	MA17 † ③	MA32 † ④	MA42 † ④	MA50 † ⑤	
382103	X3073-1	Coil Housing	Conduit Boss	1	1	1	1	1	
382080	X2480-1		Junction Box	1	1	1	1	1	
—	506-1	Coil Housing	Bottom Plate	1	1				
382005	1025-1		Locknut	1	1	1	1	1	
—	533-1		Coil Sleeve 1 ①	2	2	2	2	2	
—	374-1	Coil Spring			1	1	1	1	
—	1302	Coil Voltage Nameplate			Specify valve type, voltage, & frequency				
—	KC-3	Coil			1	1	1	1	
382185	529-1	Enclosing Tube	Flange Plate			1			
382190	887-1								1
382195	947-1							1	
183716	1328-22			O-Ring	1	1			
183650	530			Flat Gasket			1		
183705	886								1
183710	938-1								1
382135	1678-1			Locknut	1	1			
183746	106-004	Flat Flange Gasket		2		2			
183770	546								
183745	106-003				2				
183780	894							2	
183775	929						2		
382240	391-3		Flange Plate Bolt			4			
—	811-5							4	
382250	946-4						4		
183468	225-000	Pipe Flange	1/4" FPT (Inlet)	1					
183470	225-001		3/8" FPT (Inlet)	1					
183456	374-000		1/2" FPT (Inlet)		1				
183472	225-002			1					
183458	374-001		3/4" FPT (Inlet)		1				
183476	555-1		1" FPT (Inlet)		1	1			
183460	375-000					1			
183480	555-2		1-1/4" FPT (Inlet)			1			
183484	933-1		1-1/2" FPT (Inlet)				1		
183488	897-2		2" FPT (Inlet)					1	
183550	926	Solder Flange (Inlet & Outlet)	1-5/8" ODF				2		
			2-1/8" ODF				2		
183552	891		2-1/8" ODF					2	
			2-5/8" ODF					2	
183403	928	Solder Bushing	1-5/8" ODF (Inlet)				1		
183411	893		2-1/8" ODF (Inlet)					1	
183407	931						1		
183415	896			2-5/8" ODF (Inlet)					1
382530	701-1	Manual Lift Stem			1				
382535	712-1								
382540	881-1						1		
382545	934-1						1		
382520	532-1					1			
382560	462-1	Manual Lift Stem	Packing	1	1	1	1	1	
382575	352-3		Packing Nut	1	1	1	1	1	
183462	573-000	Pipe Flange	1/4" FPT (Outlet)	1					
183464	573-001		3/8" FPT (Outlet)	1					
183450	360-000		1/2" FPT (Outlet)		1				
183100	572-000		1/2" FPT (Outlet)	1					
183452	360-001		3/4" FPT (Outlet)		1				
183454	362-000		1" FPT (Outlet)		1				
183474	554-1		1" FPT (Outlet)			1			
183478	554-2		1-1/4" FPT (Outlet)			1			
—	932-1		1-1/2" FPT (Outlet)				1		
183486	898-2		2" FPT (Outlet)					1	
183401	927	Solder Bushing	1-5/8" ODF (Outlet)				1		
183409	892		2-1/8" ODF (Outlet)					1	
183405	930		2-1/8" ODF (Outlet)				1		
183413	895		2-5/8" ODF (Outlet)					1	
—	348-1	Seal Cap			1	1	1	1	
—	349	Gasket			1	1	1	1	
382006	1306	Valve Nameplate			In addition to item number, specify valve type, voltage, & frequency				

† Solenoid Valve model handled by Parker Refrigerating Specialties Division. Parts listed for reference only. Contact R/S Division for replacement parts.

① For MA5 & MA42, DC voltage, use special sleeve part number 776-1 as top coil sleeve.

② Refer to drawing on Page 30.

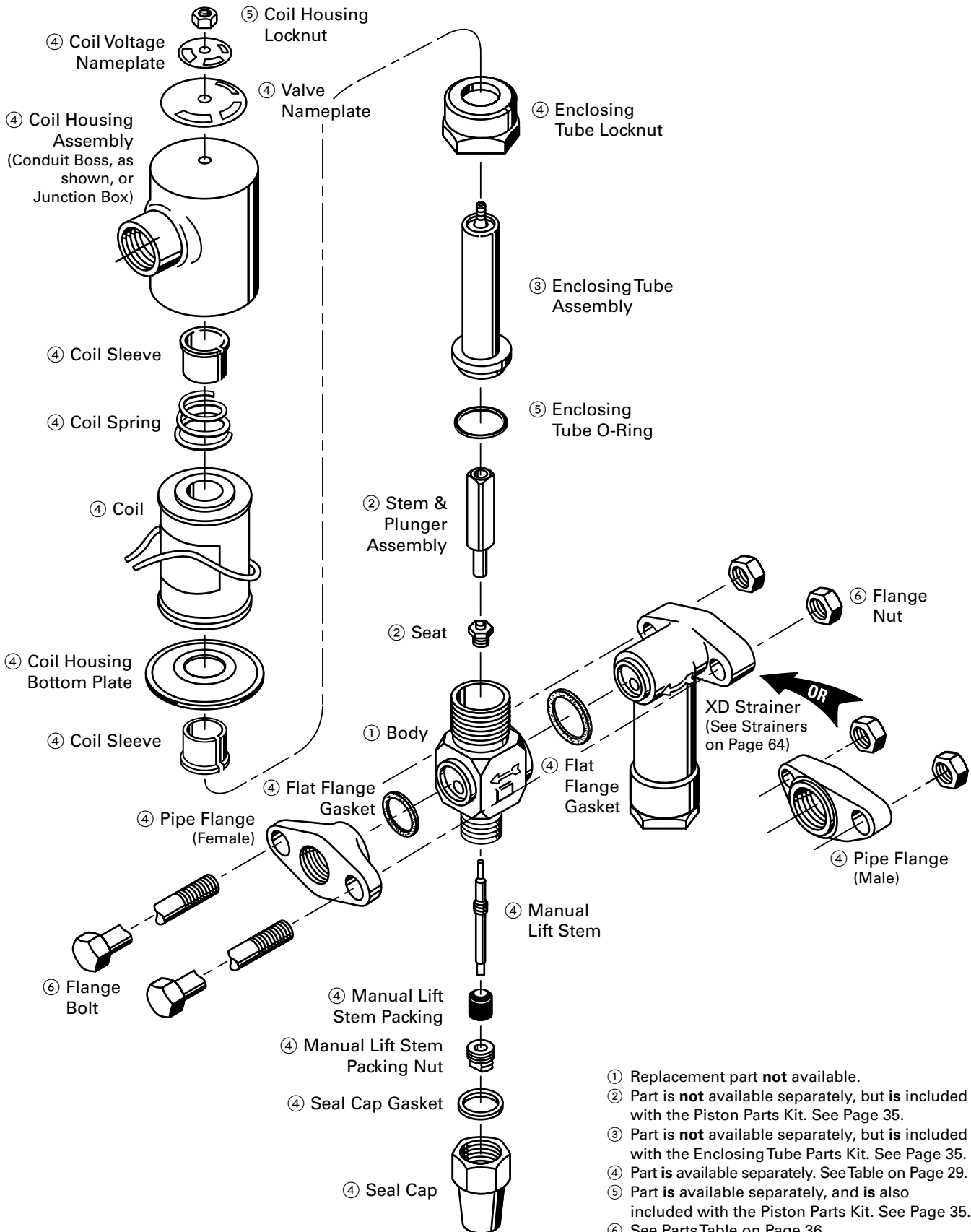
③ MA17 is similar to MA5 on Page 30. The MA17 piston is available in the internal parts kit, see Page 35.

④ Similar to MA50 on Page 31.

⑤ Refer to drawing on Page 31.

# Solenoid Valves MA5 Series

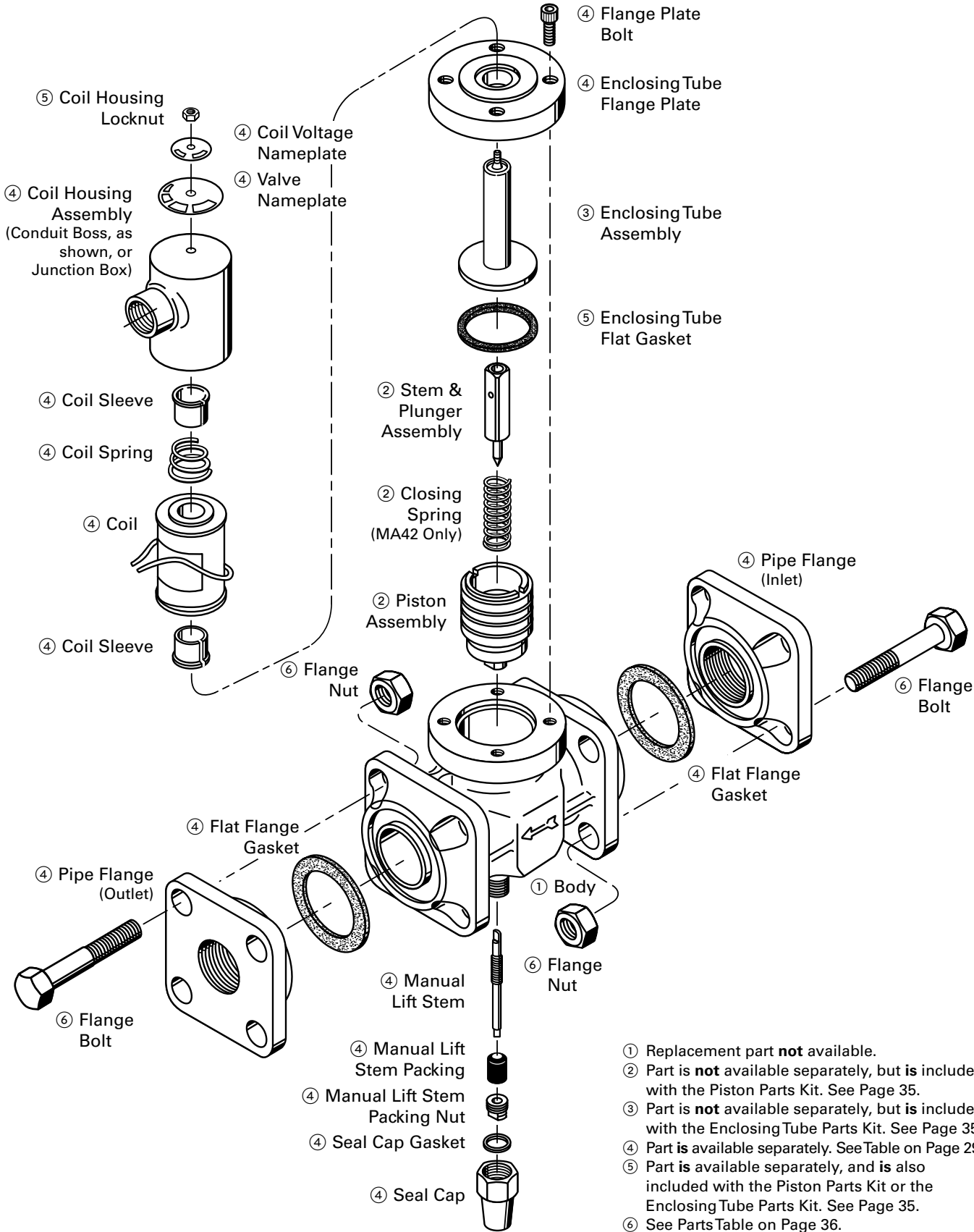
See Parts Table on Page 29



- ① Replacement part **not** available.
- ② Part is **not** available separately, but **is** included with the Piston Parts Kit. See Page 35.
- ③ Part is **not** available separately, but **is** included with the Enclosing Tube Parts Kit. See Page 35.
- ④ Part **is** available separately. See Table on Page 29.
- ⑤ Part is available separately, and **is** also included with the Piston Parts Kit. See Page 35.
- ⑥ See Parts Table on Page 36.

# Solenoid Valves MA50 Series

See Parts Table on Page 29

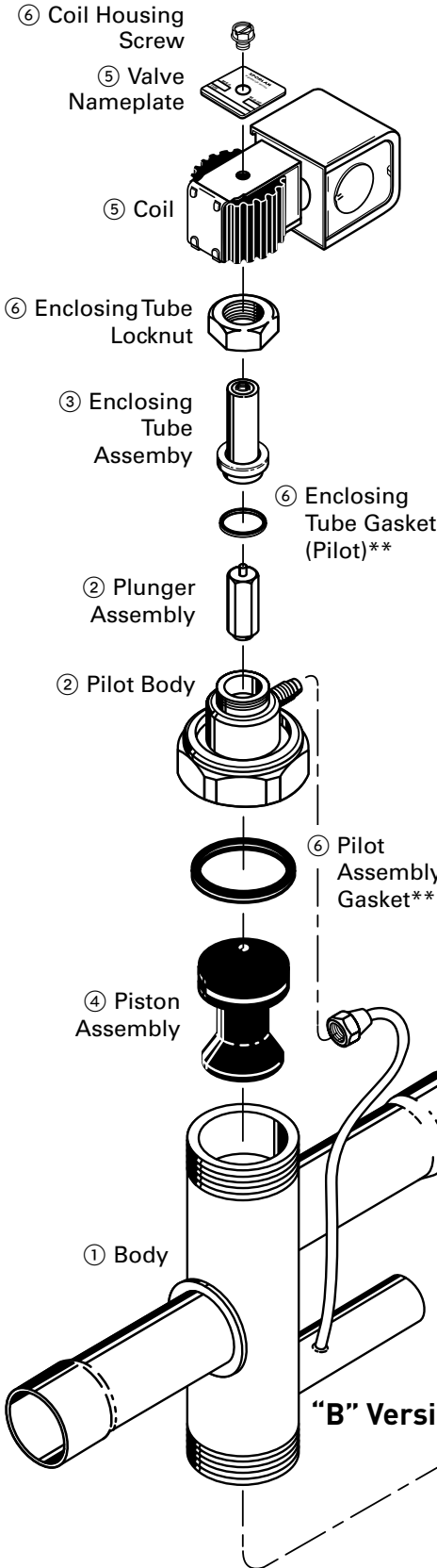


- ① Replacement part **not** available.
- ② Part is **not** available separately, but is included with the Piston Parts Kit. See Page 35.
- ③ Part is **not** available separately, but is included with the Enclosing Tube Parts Kit. See Page 35.
- ④ Part is available separately. See Table on Page 29.
- ⑤ Part is available separately, and is also included with the Piston Parts Kit or the Enclosing Tube Parts Kit. See Page 35.
- ⑥ See Parts Table on Page 36.



Solenoid Valves

# 10G Hot Gas Defrost and 3-Way Heat Reclaim Series



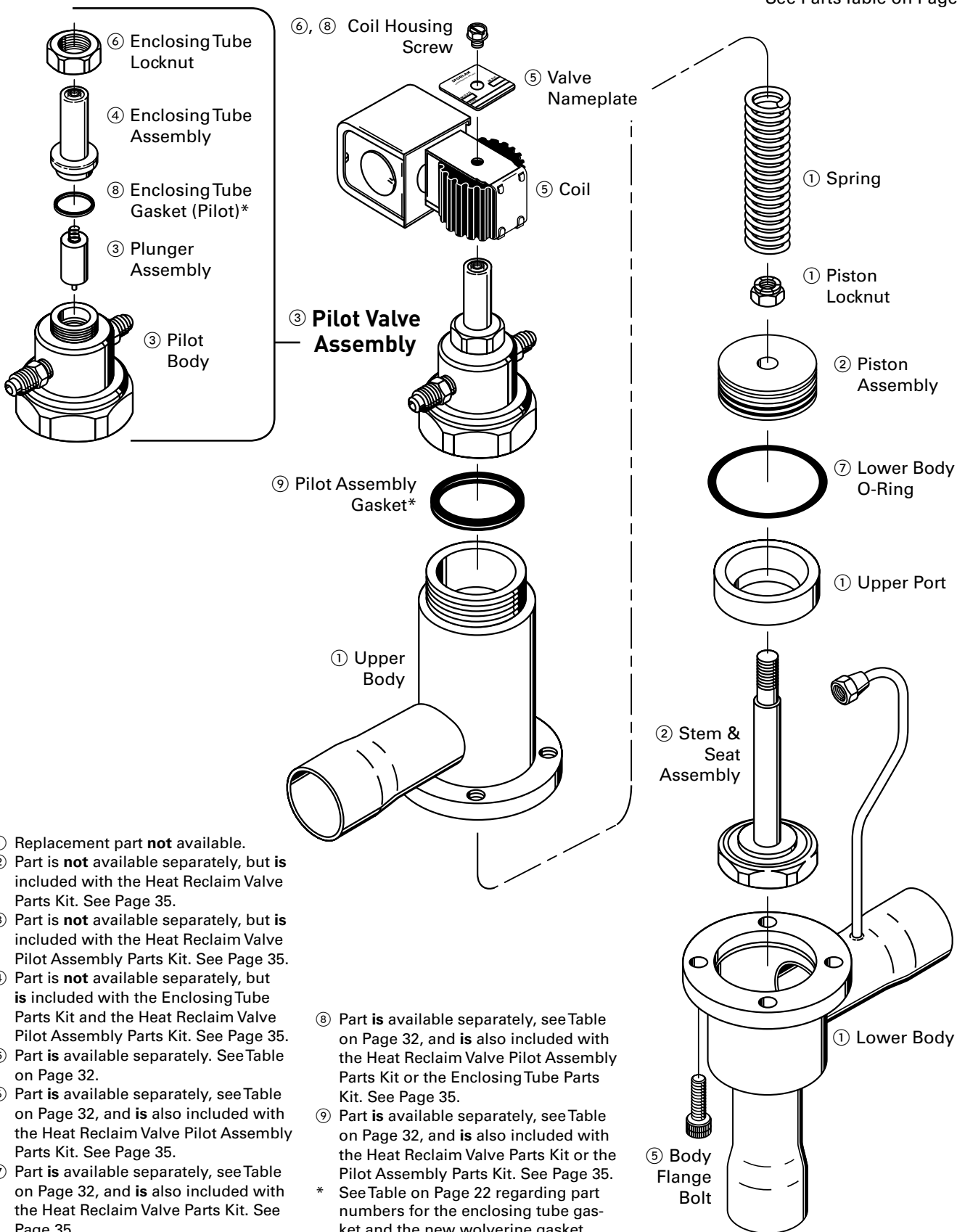
10G HOT GAS DEFROST VALVE and 3-WAY HEAT RECLAIM VALVE REPLACEMENT PARTS						
ITEM NUMBER	PART NUMBER and DESCRIPTION DRAWING BELOW and ON PAGES 33 and 34		VALVE TYPE and QUANTITY OF PART REQUIRED PER VALVE			
			8D/8D-SC	12D/12D-SC	16D/16D-SC	10G
958101	1390-000	Coil Housing Screw	1	1	1	1
380103	14000-1	Enclosing Tube Gasket (Pilot)**	1	1	1 Date Code 12-03 & after	1
380104	14000-2				1 Date Code before 12-03	
380102	14000-5	Pilot Assembly Gasket**	1	1	1 Date Code 6-06 & after	2
382150	13252-1	Enclosing Tube Locknut			1 Date Code before 6-06	
382155	13256-2		1	1		1
—	811-5	Body Flange Bolt			4 Date Code before 6-06	
382250	946-4			4		
382170	13681-1	Lower Body Locknut				1
183717	1335-235	Lower Body O-Ring			1 Date Code before 6-06	
—	14000-6*		1			
183785	623-137			1		
382008	14115	Valve Nameplate	Specify voltage & frequency			
—	MKC-1	Coil (Specify voltage & frequency)	1	1	1 Date Code 12-03 & after	1
—	MKC-2				1 Date Code before 12-03	

- ① Replacement part **not** available.
  - ② Part is **not** available separately, but **is** included with the Hot Gas Defrost Valve Parts Kit or the Pilot Assembly Parts Kit. See Page 35.
  - ③ Part is **not** available separately, but **is** included with the Hot Gas Defrost Valve Pilot Assembly Parts Kit. See Page 35.
  - ④ Part is **not** available separately, but **is** included with the Hot Gas Defrost Valve Parts Kit. See Page 35.
  - ⑤ Part **is** available separately. See Table above.
  - ⑥ Part **is** available separately, see Table above, and **is** also included with the Hot Gas Defrost Valve Parts Kit or the Pilot Assembly Parts Kit. See Page 35.
- \* 6-97 and before request part number 623-128
- \*\* See Table on Page 22 regarding part numbers for the enclosing tube gasket and the new wolverine gasket.

## Solenoid Valves

# 12D 3-Way Heat Reclaim and Split Condenser Series

See Parts Table on Page 32

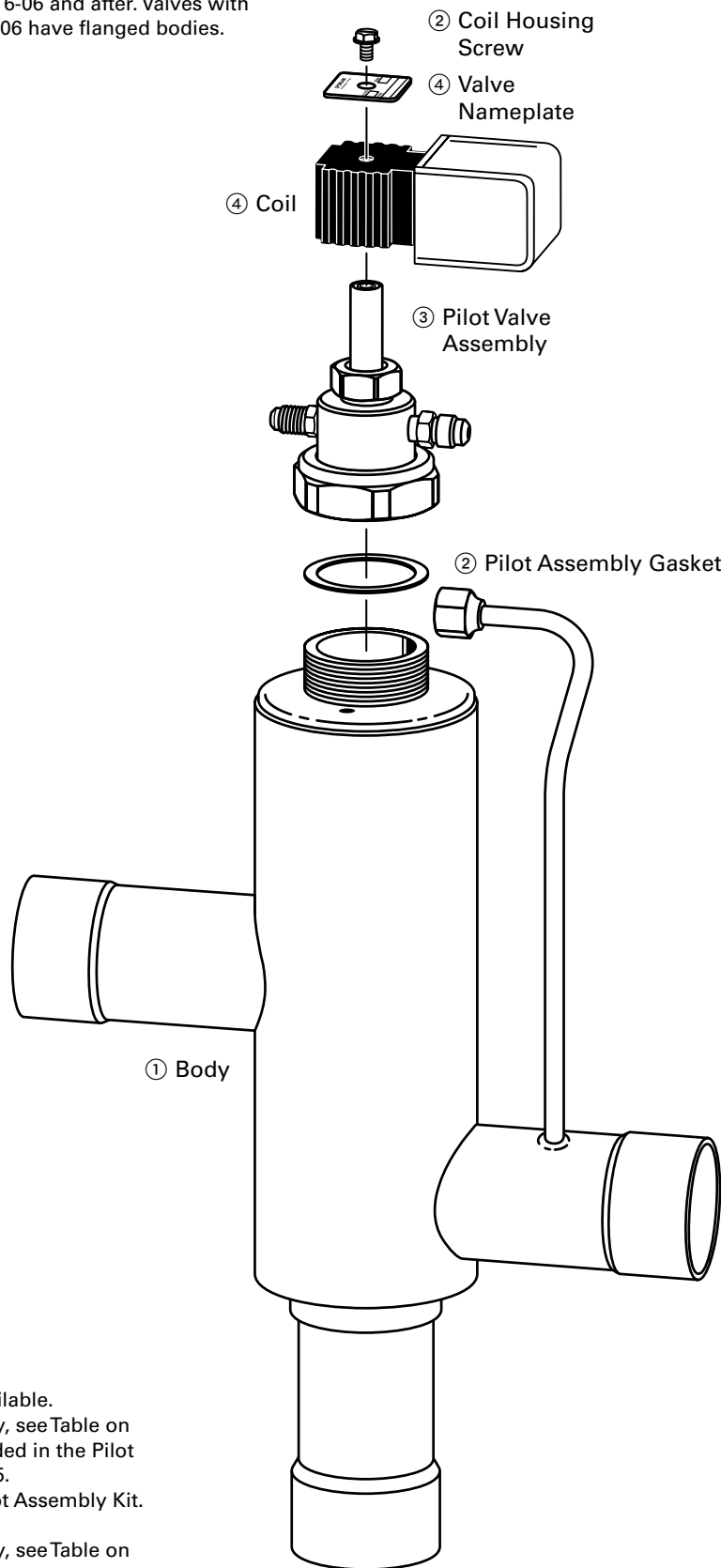


## Solenoid Valves

# 8D and 16D\* 3-Way Heat Reclaim and Split Condenser Series

See Parts Table on Page 32

\* 16D models with date code 6-06 and after. Valves with date codes prior to June 2006 have flanged bodies.



- ① Replacement part **not** available.
- ② Part **is** available separately, see Table on Page 32, and **is** also included in the Pilot Assembly Kit. See Page 35.
- ③ Part **is** available in the Pilot Assembly Kit. See Page 35.
- ④ Part **is** available separately, see Table on Page 32.

# Solenoid Valves Parts Kits

DISC / PISTON / DIAPHRAGM KITS			
NORMALLY CLOSED VALVES			
VALVE TYPE	KIT NUMBER	ITEM NO.	DESCRIPTION OF CONTENTS
A3/E3/E5	—	—	Hermetic Valve
S4/S6/S7	—	—	Non-Repairable
(M)B6/(M)E6	KS-B6/E6	381145	1 Stem & Plunger Assembly 1 Disc Assembly 1 Enclosing Tube Gasket 1 Enclosing Tube Assy.
(M)B9/(M)E9	KS-B9/E9	381171	
(M)B10/(M)E10	KS-B10/E10	381002	
(M)B14/(M)E14	KS-B14/E14	381028	
(M)B19/(M)E19	KS-B19/E19	381054	
(M)B25/(M)E25	KS-B25/E25	381080	
(C)(M)B9/(C)(M)E9	KS-CB9/CE9	381262	
(C)(M)B10/(C)(M)E10	KS-CB10/CE10	381223	
(C)(M)B14/(C)(M)E14	KS-CB14/CE14	381236	
(C)(M)B19/(C)(M)E19	KS-CB19/CE19	381249	
(M)B6/(M)E6-20	KS-B6/E6-20	381158	
(M)B9/(M)E9-20	KS-B9/E9-20	381184	
(M)B10/(M)E10-20	KS-B10/E10-20	381015	
(M)B14/(M)E14-20	KS-B14/E14-20	381041	
(M)B19/(M)E19-20	KS-B19/E19-20	381067	
(M)B25/(M)E25-20	KS-B25/E25-20	381093	
(M)E6-HP	KS-B6/E6-HP	381111	1 Coil Housing Screw 1 Upper Valve Assembly 1 Piston Assembly 1 Closing Spring 1 Body Flange Gasket or Flat Gasket
(M)E9-HP	KS-B9/E9-HP	380819	
(M)E14-HP	KS-B14/E14-HP	380818	
(M)E19-HP	KS-B19/E19-HP	380817	
(M)E25-HP	KS-B25/E25-HP	381128	
(M)B33, (M)E33, E(M)B33	KS-B33/E33	381119	
(M)E34	KS-E34	381135	
(M)E34-20	KS-E34-20	381136	
(M)E35	KS-E35	381118	
(M)E42	KS-E42	381340	
(M)E42-20	KS-E42-20	381341	
RAPID CYCLE VALVES*			
XUP/XXF	KS-XUP/XXF	381638	1 Stem & Plunger Assembly 1 Disc Assembly 1 Enclosing Tube Assembly 1 Coil Housing Locknut 1 Spacer Ring, 1 Spacer Cup 1 Gasket, 1 Valve Nameplate
XRN	KS-XRN	381587	
XRM	KS-XRM	381574	
XPO	KS-XPO	381548	
NORMALLY OPEN VALVES			
OB9/OE9	KS-OB9/OE9	381405	1 Disc or Piston Assembly 1 Enclosing Tube Assembly 1 Enclosing Tube Gasket 1 Closing Spring (Type OB33 & OE33 Only), 1 Body Flange Gasket (Type OB33 or OE33 Only), 1 Spacer Cup, 1 Spacer Ring 1 Coil Housing Locknut 1 Pilot Valve Flange Plate (Type OB33 & OE33 Only)
OB10/OE10	KS-OB10/OE10	381353	
OB14/OE14	KS-OB14/OE14	381366	
OB19/OE19	KS-OB19/OE19	381379	
OB25/OE25	KS-OB25/OE25	381392	
OB33/OE33, EOB33	KS-OB33/OE33	381398	
OE34	KS-OE34	381400	
OE34-20	KS-OE42-20	381402	
OE35	KS-OE35	381130	
OE42	KS-OE42	381418	
OE42-20	KS-OE42-20	381420	
DISC TYPE - INDUSTRIAL VALVES			
RW3	KS-RW3	381495	1 Plunger Assembly 1 Enclosing Tube O-Ring
W3	KS-W3	381496	
W6	KS-W6	381509	
W14	KS-W14	381457	
W19	KS-W19	381470	
W25	KS-W25	381483	
W25	KS-W25	381483	
DIAPHRAGM TYPE - INDUSTRIAL VALVES			
(K)R18	KS-R18	381431	1 Plunger Assembly 1 Diaphragm Assembly 1 Enclosing Tube O-Ring
(K)(B)R18	KS-BR18	381197	
(K)R24	KS-R24	381444	
(K)(B)R24	KS-BR24	381210	
(K)(B)R24	KS-BR24	381210	

\*Rapid Cycle Valves with "-" numbers use the same valve series kit.

DIRECT CONNECTED VALVES			
VALVE TYPE	KIT NUMBER	ITEM NO.	DESCRIPTION OF CONTENTS
DB14	KS-DB14	381275	1 Stem, Plunger & Piston Assembly, 1 Enclosing Tube O-Ring or Gasket or Body Flange Flat Gasket
HEAT RECLAIM VALVES / SPLIT CONDENSER VALVES			
8D7B/8D9B	KS-8DB	380897	1 Enclosing Tube Gasket 1 Pilot Assembly Gasket 1 Stem & Seat Assembly 1 Piston Assembly 1 Lower Body O-Ring 1 Lower Body Gasket (8D Only)
8D7C/8D9C	KS-8DC	380811	
8D9B-SC	KS-8DB-SC	380896	
8D9C-SC	KS-8DC-SC	380812	
12D11B/12D13B	KS-12DB	380871	
12D11C/12D13C	KS-12DC	380813	
12D11B-SC/12D13B-SC	KS-12DB-SC	380873	
12D11C-SC/12D13C-SC	KS-12DC-SC	380814	
16D17B	KS-16DB	380886	
16D17B (12-03 & after)	KS-16DB-A	380822	
16D17C	KS-16DC	380815	1 Stem & Seat Assembly 1 Upper Valve Seat 1 Piston Assembly 1 Lower Body O-Ring
16D17C (12-03 & after)	KS-16DC-A	380823	
16D17B-SC	KS-16DB-SC	380887	
16D17B-SC (12-03 & after)	KS-16DB-SC-A	380825	
16D17C-SC	KS-16DC-SC	380816	
16D17C-SC (12-03 & after)	KS-16DC-SC-A	380826	
PILOT ASSEMBLY			
8D & 12D	KS-8D/12DP/14DP	382290	1 Pilot Assembly Gasket 1 Coil Housing Screw 1 Pilot Valve Assembly
8D-SC & 12D-SC	KS-8D/12DP/14DP-SC	380803	
16D	KS-16DP	382291	1 Coil Housing Screw 1 Pilot Valve Assembly 1 Pilot Assembly Gasket
16D (12/03 & after)	KS-16DP-A	380824	
16D-SC	KS-16DP-SC	380804	
16D-SC (12/03 & after)	KS-16DP-SC-A	380827	
HOT GAS DEFROST VALVES			
10G79B	KS-10G	380870	1 Enclosing Tube Gasket 2 Pilot Assembly Gaskets 1 Plunger Assembly, 1 Pushrod 1 Seat Assembly, 1 Piston Assembly, 1 Valve Spring
10G711A, B, C			
10G713			
PILOT ASSEMBLY			
10G-B	KS-10GP-B	382285	1 Enclosing Tube Gasket 1 Pilot Valve Assembly 1 Coil Housing Screw
10G-C	KS-10GP-C	382295	
ENCLOSING TUBE KITS			
(R)W3	KE-3	382401	1 Enclosing Tube Assembly 1 Enclosing Tube Gasket or O-Ring 1 Coil Housing Screw 2 Body Screws (KE-3 Only)
(M)B6/(M)E6	KE-6	382435	
W6/10G	KE-9	382355	
(C)(M)B9/(C)(M)E9			
(M)E34			
(M)E42			
16D/16D-SC	KE-10/14	382390	
(C)(M)B10/(C)(M)E10			
(C)(M)B14/(C)(M)E14			
W14	KE-19	382365	
(C)(M)B19/(C)(M)E19			
W19	KE-25	382400	
(M)B25/(M)E25			
W25			
(M)B33/(M)E33	KE-33	382440	
8D/12D, 8D-SC/12D-SC	KE-8D/12D	382327	
(K)(B)R18	KE-18/24	382445	1 Enclosing Tube & Bonnet Assembly, 1 Enclosing Tube O-Ring, 4 Flange Plate Bolts (KE-1824 Only), 1 Coil Housing Screw or Locknut
(K)(B)R24			
MANUAL LIFT STEM KIT			
MB6/ME6, ME9	KM-1	382460	1 Manual Lift Stem Assembly (Includes P/N 2003-1 Seal Cap Available Separately)
MB9	KM-2	382470	
MB10, MB14	KM-3	382480	
ME14	KM-4	382490	
ME10	KM-5	382500	
MB19, ME19			
MB33, ME33			
ME34	KM-6	382510	
MB25, ME25			
ME35			
ME35	KM-7	382511	

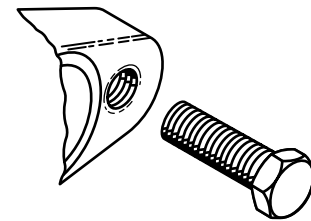
# Cap Screw, Bolt and Nut Specifications

CAP SCREW, BOLT and NUT SPECIFICATIONS										
VALVE TYPE	INLET and OUTLET COMBINATION			BOLT DIA. Inches	BOLT LENGTH Inches	BOLT QUANTITY REQUIRED	NUT QUANTITY REQUIRED			
	INLET		OUTLET							
<b>THERMOSTATIC EXPANSION VALVES</b>										
H	Flange	1/2, 5/8, 7/8	1124 Distributor	7/16	4-1/2***	2	2			
			Flange 5/8, 7/8, 1-1/8		4-1/2					
M, V	Flange	Up to 1-3/8	1109, 1110, 1192 Distributor	1/2	5-1/2****	2	2			
			Flange Up to 1/2 FPT		5-1/2					
			1121, 1193 Distributor		6					
			1119 Distributor		6-1/2					
			Up to 1-3/8		5					
			Flange 1-5/8 ODF		5-1/2					
W	Flange	1-1/8, 1-3/8, 1-5/8, 2-1/8 ODF	1-1/8, 1-3/8, 1-5/8, 2-1/8 ODF	7/16	4-1/2	2	—			
			Flange 1/4, 3/8, 1/2 FPT		3					
D	Flange	—	XD Strainer	7/16	4-1/2	2	—			
			XD Strainer x MA5 Solenoid		1-3/4					
			Flange 1/4, 3/8, 1/2 FPT		1-3/4					
			1130, 1182 Distributor		1-1/2					
			1132 Distributor		2-1/4					
A	Flange	1/2, 3/4, 1 FPT	1180 Distributor	1/2	2	2	—			
			8000 Strainer		1-3/4					
			8000 Strainer x MA17 Solenoid		5-1/2					
			—		1-3/4					
			Flange 1/2, 3/4, 1 FPT		1-3/4					
			1138, 1185 Distributor		1-3/4					
A	Flange on Valve Body	—	Female Threaded Connections on Element	3/8*	1-1/4*	—	—			
			—		1-1/4*					
<b>COMBINATION VALVES</b>										
XD-074, MA5, SA-K87, D*			7/16	6	2	—				
XD-074, MA5, SA-K87, Flange (Female)				6-1/2	2	2				
8000, MA17, SA-K90, A*			1/2	7	2	—				
8000, MA17, SA-K90, Flange (Female)				7-1/2	2	2				
8000, 1179, MB33, SA-K90, Flange (Female)**				8	2	2				
<b>DISTRIBUTORS</b>										
1138 1185 1130 1182 1133 1132 1180	Flange	1/2, 3/4, 1 FPT	—	1/2	2-1/2	2	2			
								1/4, 3/8, 1/2 FPT	7/16	2
		1/4, 3/8, 1/2 FPT		7/16	3					
								1/4, 3/8, 1/2 FPT	7/16	3
1/4, 3/8, 1/2 FPT	7/16	3								
			<b>SOLENOID VALVES</b>							
			MA5A3	Flange	1/4, 3/8, 1/2 FPT	Flange 1/4, 3/8, 1/2 FPT	7/16	4	2	—
Type D Expansion Valve	5-1/2									
Flange 1/4, 3/8, 1/2 FPT	4-1/2									
MA17A3	Flange	1/2, 3/4 1 FPT	Flange 1/2, 3/4, 1 FPT	1/2	6	2	2			
			Type A Expansion Valve		5-1/2					
			Flange 1/2, 3/4, 1 FPT		5-1/2					
MA32P3	Flange	1, 1-1/4 FPT	9008, 9010 Strainer	5/8	3	8	8			
			Flange 1-1/2 FPT		3-1/4					
MA42P3	Flange	1-1/2 FPT	9012 Strainer (Obsolete)	5/8	3-1/4	8	8			
			Flange 1-5/8, 2-1/8 ODF		3-1/2					
MA42S3	Flange	1-5/8, 2-1/8 ODF	Flange 1-5/8, 2-1/8 ODF	1/2	7	2	2			
			Flange 2-1/8, 2-5/8 ODF		7-1/2					
MA50S3	Flange	2-1/8, 2-5/8 ODF	Flange 2-1/8, 2-5/8 ODF	1/2	7	2	2			
			Flange 1-1/8, 1-3/8 ODF		7-1/2					
(M)B33S2	Flange	1-1/8, 1-3/8 ODF	Flange 1-1/8, 1-3/8 ODF	1/2	7	2	2			
			Flange 1-5/8 ODF		7-1/2					
<b>STRAINERS</b>										
XD-074 8000 9008/9010	—	—	1/4, 3/8, 1/2 FPT	7/16	3-1/2	2	2			
			Flange 1/2, 3/4, 1 FPT		1/2			2-1/2		
			1, 1-1/4 FPT		5/8			3	4	4
<b>SEE-ALLS</b>										
SA-K87 SA-K90	Flange	1/4, 3/8, 1/2 FPT	1/4, 3/8, 1/2 FPT	7/16	3-1/2	2	2			
			1/2, 3/4, 1 FPT		1/2			5		

BOLT and NUT KITS					
VALVE TYPE	ITEM NUMBER	DESCRIPTION	BOLT DIAMETER Inches	BOLT LENGTH Inches	BOLT & NUT QTY.
H	183170	Bolt Kit #7	7/16	4-1/2	2
M, V	183180	Bolt Kit #9	1/2	5	
	183162	Bolt Kit #4		5-1/2	
	183164	Bolt Kit #5		6	
	183196	Bolt Kit #10		6-1/2	
(M)B33	183168	Bolt Kit #6	1/2	7	2
	183357	Bolt Kit #11		7-1/2	

## Ordering Instructions

**CAP SCREW:** This terminology refers to a bolt that mates to a threaded flange and does not require a nut.



**CAP SCREW**  
To Order, Specify "Cap Screw" (and give bolt diameter and length).

**BOLT and/or NUT**  
To Order a Bolt, specify "Bolt" (and give bolt diameter and length).  
To order a Nut, specify "Nut" (and give hole diameter).

\* Note those combinations which bolt to either the Type D or A Valve do not require nuts since valve flanges are threaded.

\*\* The combination with the MB33 Solenoid Valve would not normally be bolted to a TEV (Type M Valve) due to the long length (13") of the bolt.

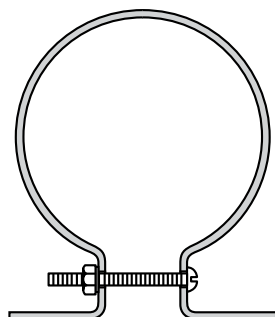
\*\*\* 4" bolts less nuts required for older style 1124 Distributors with threaded bolt holes.

\*\*\*\* 5" bolts less nuts required for older style 1121 & 1193 distributors with threaded bolt holes.

# Replaceable Core Catch-All® Filter-Driers C-R420 Series

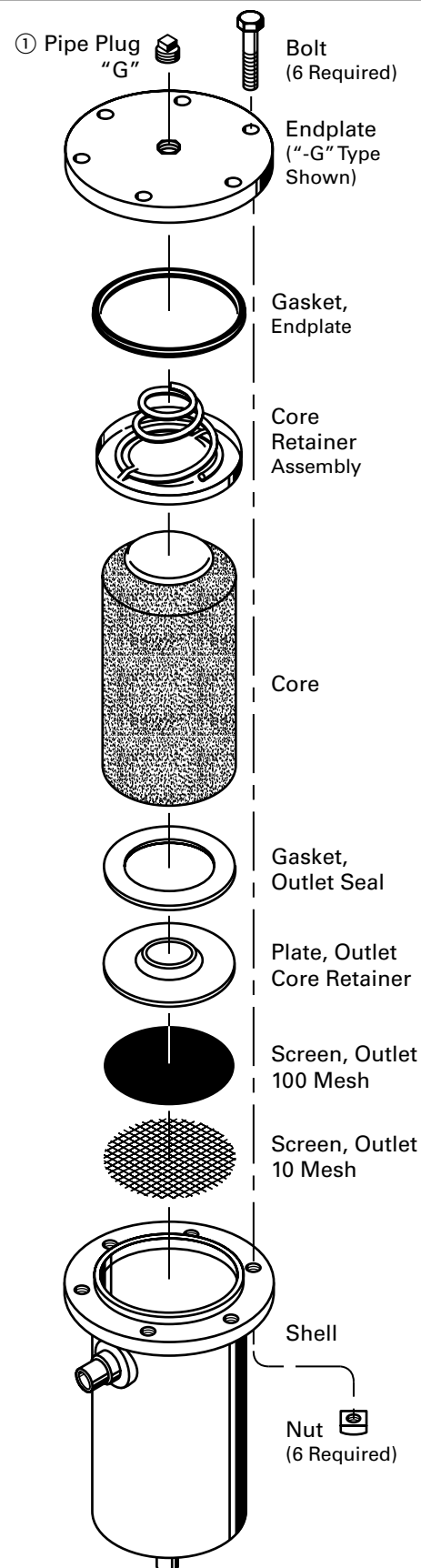
C-R420 SERIES REPLACEMENT PARTS and PARTS KITS					
ITEM NUMBER	PART NUMBER		DESCRIPTION	NOT SUPPLIED IN KIT	C-R420 SERIES INTERNAL PARTS KIT *
	CURRENT	OBSOLETE			
481300	JP-711-000	4163-9	Bolt, 5/16" x 1-1/2" (6 Req'd)	X	
481220	JP-679-000	6162	Core Retainer Assembly		1
481216	JP-335-001	6154	Endplate (Plain)	X	
481217	JP-335-000	6154-2	Endplate ("-G" Type)	X	
481103	1288-005	6153-2	Gasket, Endplate	X	
481161	JP-571-001	6155-2	Gasket, Outlet Seal	X	
481322	JP-710-000	—	Nut, 5/16" (6 Req'd)	X	
481101	5310	—	Pipe Plug ("-G")	X	
481224	JP-676-000	6163	Plate, Outlet Core Retainer		1
481288	JP-513-005	6172-1	Screen, Outlet – 10 Mesh		1
481280	JP-514-005	6171-4	Screen, Outlet – 100 Mesh		1

① Access Valve (Item No.: 183174) is available.  
 Valve Core (Item No.: 480088) may be purchased separately.  
 \* Kit Item No.: 481340, Description: K-RC420



### Mounting Bracket

Item No.: 481312, A-175-1 Mounting Bracket for shell types C-R424-G, C-R425-G, C-R427-G and ROF-413-T ONLY. One bracket per package. Usually one bracket is adequate for mounting these Catch-Alls or Oil Filters. All brackets are supplied with a bolt, nut, and washer.



# Replaceable Core Catch-All® Filter-Driers

## C-480 Series through C-1920 Series

C-480 THROUGH C-1920 REPLACEABLE CORE PARTS and PARTS KITS									
DESIGN	ITEM NUMBER	PART NUMBER and DESCRIPTION DRAWING ON PAGE 39	NOT SUPPLIED IN KIT	C-480 SERIES			C-960 SERIES		
				ITEM NUMBER					
				—	481350	481349	—	481360	481359
				K-RC480-A	K-RC480-B	K-RC480-C	K-RC960-A	K-RC960-B	K-RC960-C
A, B, C	481292	4163-11 Bolt 5/16" x 1-3/4" (8 Req'd) ① Heat Treated Steel - Zinc Plated	X						
A, B, C	481289	4086-11 Bolt 5/16" x 1-3/4" (8 Req'd) ② Sermagard Coated Steel	X						
A, B, C	—	— Bolt 5/16" x 1-3/4" (8 Req'd) Stainless Steel (Obsolete - Use Sermagard)	X						
A, B, C	481164	5318-3 Endplate (Plain)	X						
A, B, C	480031	5318-5 Endplate ("G" Type) ③	X						
A, B, C	481125	1288-001 Gasket, Endplate (1/16" Thick)	X						
A	—	— Gasket, Outer Retainer Plate		1			1		
B	—	— Gasket, Outer Retainer Plate			1			1	
C	481116	5383-5 Gasket, Outer Retainer Plate				1			1
B	481126	4543-000 Gasket, Outlet Screen (Felt)			1			1	
A, B, C	481287	6244-2 Nut - 5/16" (8 Req'd)	X						
A, B, C	481101	5310 Pipe Plug ("G")	X						
A, B, C	481091	5296-5 Plate, Core Positioning (Solid)		1	1	1	1	1	1
A, B, C	481093	5296-3 Plate, Core Spacer					1	1	1
A	—	— Plate, Outlet Core Retainer		1			1		
B	481095	5296-4 Plate, Outlet Core Retainer			1			1	
C	481090	5295-2 Plate, Outlet Core Retainer				1			1
B	481276	6172-6 Screen, Outlet - 10 Mesh			1			1	
B, C	481272	6171-5 Screen, Outlet - 100 Mesh			1	1		1	1
A, B, C	481203	5806.1 Spring, End		1	1	1	1	1	1
A, B, C	481228	5320-1 Tie Rod C-480		3	3	3			
A, B, C	481232	5320-2 Tie Rod C-960					3	3	3

DESIGN	ITEM NUMBER	PART NUMBER and DESCRIPTION DRAWING ON PAGE 39	NOT SUPPLIED IN KIT	C-1440 SERIES			C-1920 SERIES		
				ITEM NUMBER					
				481371	481370	481369	—	481380	481379
				K-RC1440-A	K-RC1440-B	K-RC1440-C	K-RC1920-A	K-RC1920-B	K-RC1920-C
A, B, C	481292	4163-11 Bolt 5/16" x 1-3/4" (8 Req'd) ① Heat Treated Steel - Zinc Plated	X						
A, B, C	481289	4086-11 Bolt 5/16" x 1-3/4" (8 Req'd) ② Sermagard Coated Steel	X						
A, B, C	—	— Bolt 5/16" x 1-3/4" (8 Req'd) Stainless Steel (Obsolete - Use Sermagard)	X						
A, B, C	481164	5318-3 Endplate (Plain)	X						
A, B, C	480031	5318-5 Endplate ("G" Type) ③	X						
A, B, C	481125	1288-001 Gasket, Endplate (1/16" Thick)	X						
A	—	— Gasket, Outer Retainer Plate		1			1		
B	—	— Gasket, Outer Retainer Plate			1			1	
C	481116	5383-5 Gasket, Outer Retainer Plate				1			1
B	183361	4543-000 Gasket, Outlet Screen (Felt)			1			1	
A, B, C	481287	6244-2 Nut - 5/16" (8 Req'd)	X						
A, B, C	481101	5310 Pipe Plug ("G")	X						
A, B, C	481091	5296-5 Plate, Core Positioning (Solid)		1	1	1	1	1	1
A, B, C	481093	5296-3 Plate, Core Spacer		2	2	2	3	3	3
A	—	— Plate, Outlet Core Retainer		1			1		
B	481095	5296-4 Plate, Outlet Core Retainer			1			1	
C	481090	5295-2 Plate, Outlet Core Retainer				1			1
B	481276	6172-6 Screen, Outlet - 10 Mesh			1			1	
B, C	481272	6171-5 Screen, Outlet - 100 Mesh			1	1		1	1
A, B, C	481203	5806.1 Spring, End		1	1	1	1	1	1
A, B, C	481236	5320-3 Tie Rod C-1440		3	3	3			
A, B, C	481240	5320-4 Tie Rod C-19200					3	3	3

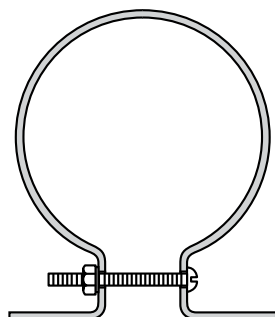
① Heat treated steel bolts are used on the Catch-All shell.

② Sermagard coated steel bolts can be used on the Catch-All shell for added corrosion resistance.

③ Endplates with 1/4" and 1/8" NPT holes are available, specify P/N: 5318-11.

# Replaceable Core Catch-All® Filter-Driers C-480 Series through C-1920 Series

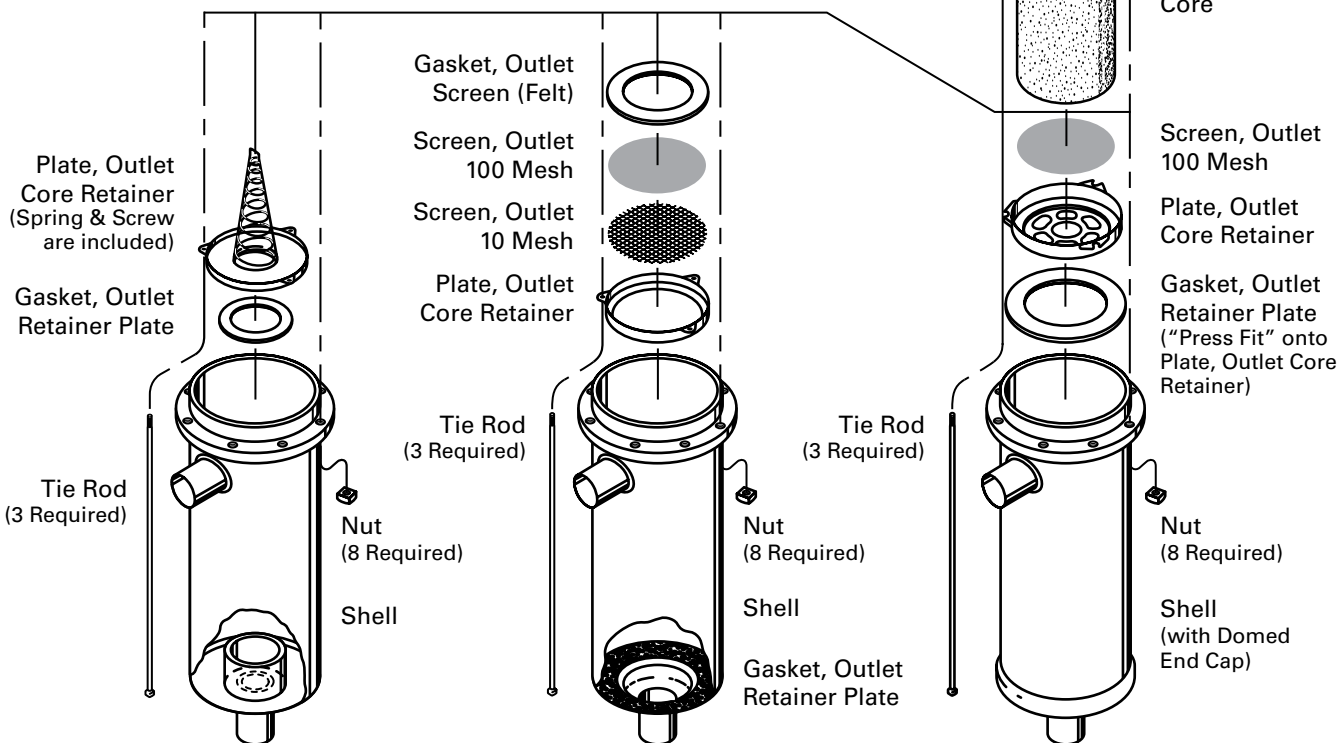
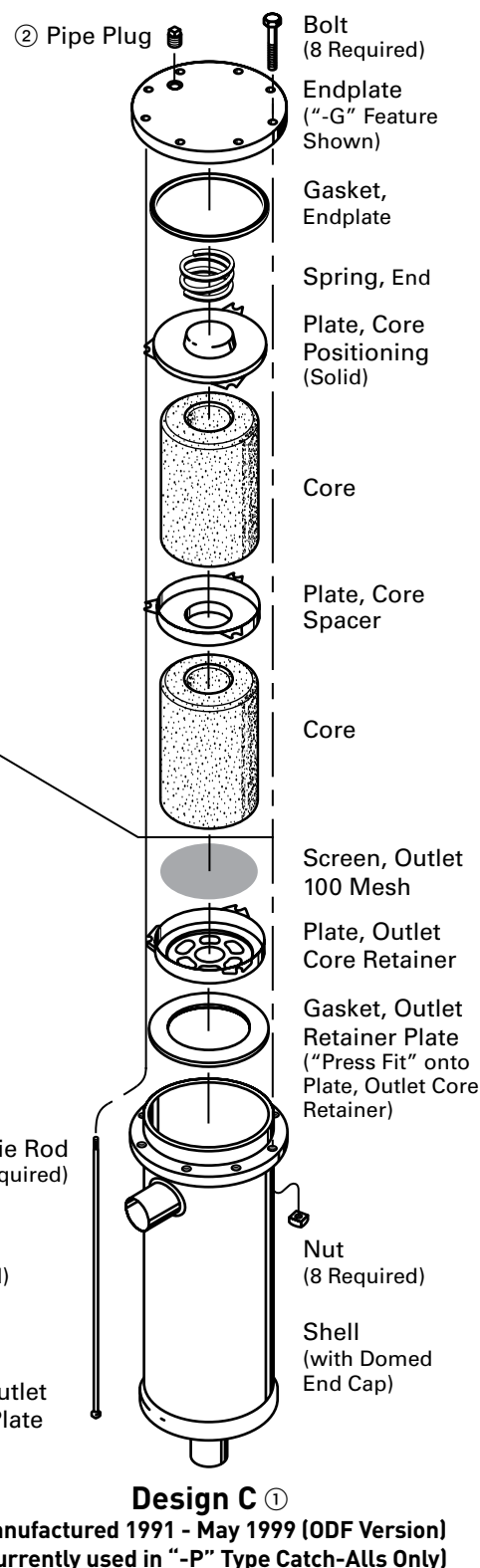
See Parts Table on Page 38



### Mounting Bracket

Item No.: 481304, A-685 Mounting Bracket for shell types C-480 thru C-1920 series. **One** bracket per package. Depending on shell size and installation requirements, more than one bracket may be required. Catch-Alls larger than C-480 series generally require two brackets. These brackets are also used for Replaceable Suction Filters. All brackets are supplied with a bolt, nut, and washer.

Design D shells  
on Page 40



**Design A** ③  
Manufactured until 1983

**Design B** ①  
Manufactured 1983 - 1991

**Design C** ①  
Manufactured 1991 - May 1999 (ODF Version)  
(Currently used in "-P" Type Catch-Alls Only)

① The B & C/D designs can be differentiated by external shell appearance. The welded cap on the outlet of the shell fits inside the body shell on B versions and it slides over the body shell on C/D versions.  
 ② Access valve (P/N: 183174) is available. Valve core (P/N: 480088) can be purchased separately.  
 ③ Design A components are subject to availability.



# Replaceable Core Catch-All® Filter-Driers C-480 Series through C-1920 Series

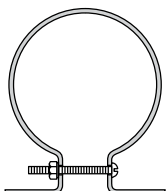
C-480 THROUGH C-1920 REPLACEABLE CORE PARTS and PARTS KITS							
ITEM NUMBER	PART NUMBER and DESCRIPTION		NOT SUPPLIED IN KIT	C-480 SERIES	C-960 SERIES	C-1440 SERIES	C-1920 SERIES
				ITEM NUMBER			
				481313	481314	481315	481321
				INTERNAL PARTS KIT			
	K-RC480-D	K-RC960-D	K-RC1440-D	K-RC1920-D			
481292	4163-11	Bolt 5/16" x 1-3/4" (8 Req'd) Heat Treated Steel - Zinc Plated ①	X				
481289	4086-11	Bolt 5/16" x 1-3/4" (8 Req'd) Sermagard Coated Steel ②	X				
481287	6244-2	Nut 5/16" (8 Req'd)	X				
481164	5318-3	End Plate (Plain)	X				
480031	5318-5	End Plate ("-G" Type)	X				
481101	5310	Pipe Plug ("-G")	X				
481125	1288-001	Gasket, End Plate (1/16" Thick)	X				
481116	5383-5	Gasket, Outlet Retainer Plate		1	1	1	1
480016	JP-741-000	C-480 Outlet Plate Assembly		1			
480018	JP-741-001	C-960 Outlet Plate Assembly			1		
480020	JP-741-002	C-1440 Outlet Plate Assembly				1	
480022	JP-741-003	C-19200 Outlet Plate Assembly					1
480024	JP-738-000	Plate, Inlet		1	1	1	1
480026	JP-737-000	Plate, Core Spacer			1	2	3
480028	JP-743-000	Screw		1	1	1	1
481203	5806-1	End Spring		1	1	1	1
<b>OPTIONAL SECONDARY FILTER - ORDER SEPARATELY ③</b>							
	<b>FILTER PART NUMBER</b>	<b>DESCRIPTION</b>					<b>QUANTITY REQUIRED</b>
481461	FS-480	Filter for C-480 Series Shell					1
481462	FS-960	Filter for C-960 Series Shell					1
481463	FS-1440	Filter for C-1440 Series Shell					1
481464	FS-19200	Filter for C-1920 Series Shell					1

- ① Heat treated steel bolts are used on the Catch-All shell.
- ② Sermagard coated steel bolts can be used on the Catch-All for added corrosion resistance.
- ③ Two O-rings are required for each internal assembly and are supplied with each secondary filter. The O-rings, Item No. 183702, P/N 621-025, can also be purchased separately.
- ④ Access valve (Item No. 183174) is available. Valve core (Item No. 480088) can be purchased separately.

**Previous Designs** – Parts kits for the new internal construction fit in shell Designs B and C. Converting shell Design B requires a thicker outlet retainer plate gasket, Item No. 481111, P/N 1288-014.

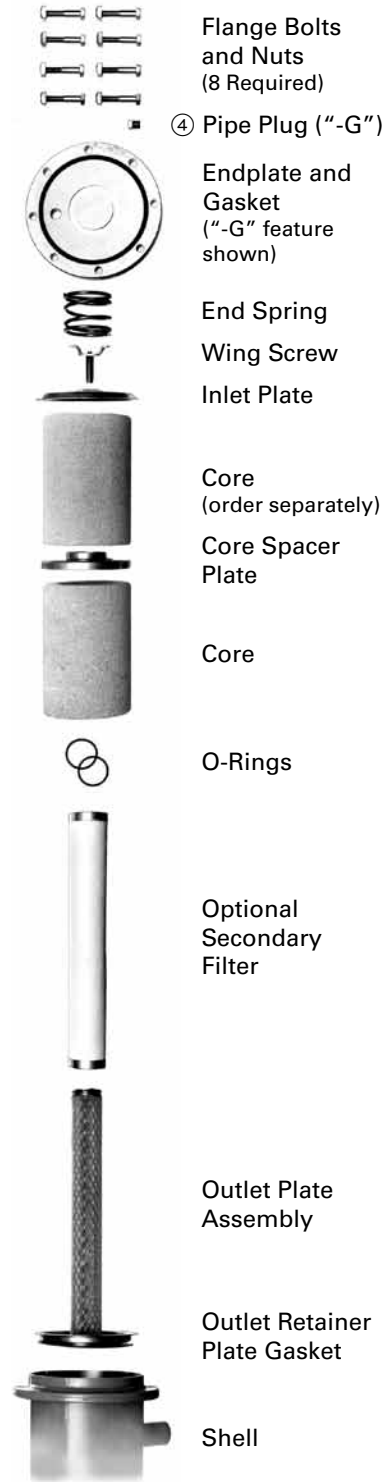
The new internal construction cannot be used in Design A shells.

The B and C/D designs can be differentiated by external shell appearance. The welded end cap on the outlet of the shell fits inside the body shell on the B versions and it slides over the body shell on the C/D versions (see illustrations on Page 39).



### Mounting Bracket

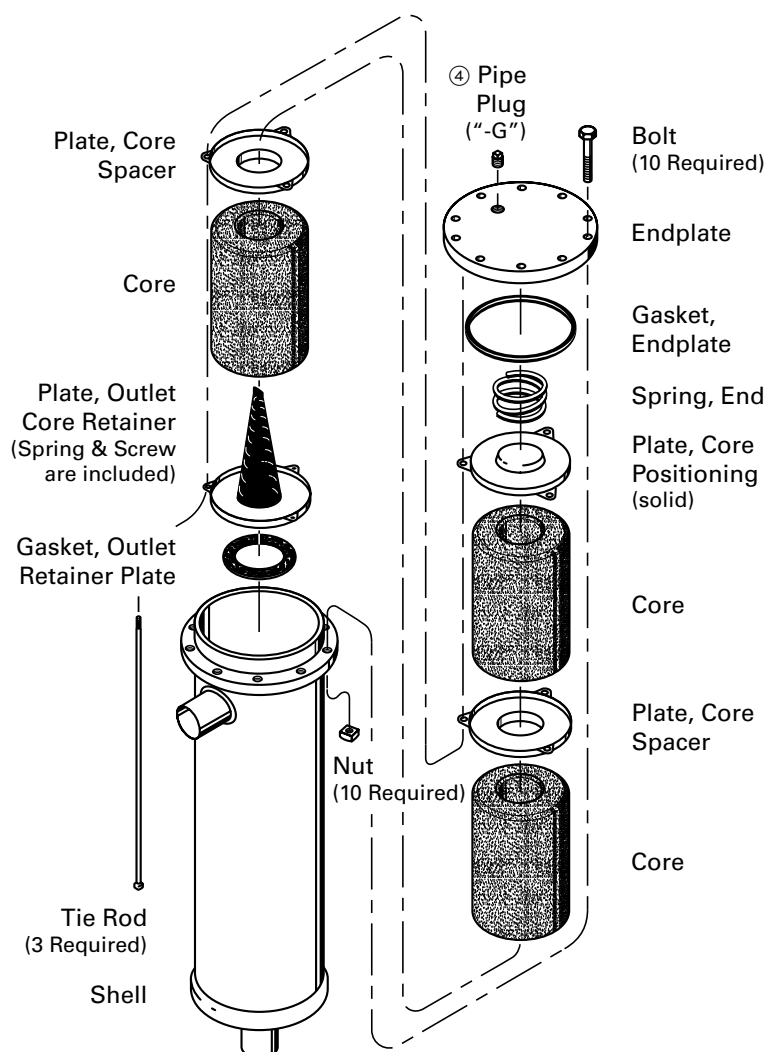
Item No.: 481304, A-685 Mounting Bracket for shell types C-480 thru C-1920 series. **One** bracket per package. Depending on shell size and installation requirements, more than one bracket may be required. Catch-Alls larger than C-480 series generally require two brackets. These brackets are also used for Replaceable Suction Filters. All brackets are supplied with a bolt, nut, and washer.



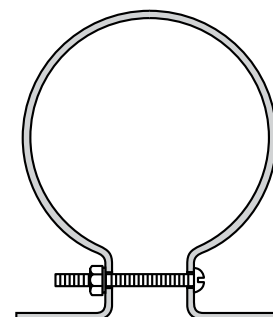
**Design D**  
Manufactured June 1999 - Present  
(Liquid Line Only)

# Replaceable Core Catch-All® Filter-Driers C-30000 and C-40000 Series

C-30000 and C-40000 REPLACEMENT PARTS and PARTS KITS						
ITEM NUMBER	PART NUMBER and DESCRIPTION			NOT SUPPLIED IN KIT	C-30000 SERIES	C-40000 SERIES
					ITEM NUMBER	
					481390	481400
					INTERNAL PARTS KIT	
	K-RC300	K-RC400				
481293	4103-15	Bolt	Heat Treated Steel - Zinc Plated ①	X		
481291	4087-15	3/8" x 2-1/4"	Sermagard Coated Steel ②	X		
—	—	(10 Req'd)	Stainless Steel (Obsolete - Use Sermagard)	X		
481197	6278-1	Endplate (Plain)		X		
481200	6278-4	Endplate ("G") ③		X		
480096	1288-013	Gasket, Endplate (1/16" Thick)		X		
481151	6230-1	Gasket, Outlet Retainer Plate			1	1
481286	6244-3	Nut, 3/8" (10 Req'd)		X		
481101	5310	Pipe Plug ("G")		X		
481211	6260-5	Plate, Core Positioning (Solid)			1	1
481213	6260-6	Plate, Core Spacer			2	3
481212	6273-1	Plate, Outlet Core Retainer			1	1
481264	6242-1	Spring, End			1	1
481244	6243-2	Tie Rod C-30000			3	
481248	6243-1	Tie Rod C-40000				3



- ① Heat treated steel bolts are used on the Catch-All shell.
- ② Sermagard coated steel bolts can be used on the Catch-All for added corrosion resistance.
- ③ Endplates with 1/4" and 1/8" holes are available, specify P/N: 6278-5.
- ④ Access valve (P/N: 183174) is available. Valve core (P/N: 480088) can be purchased separately.



### Mounting Bracket

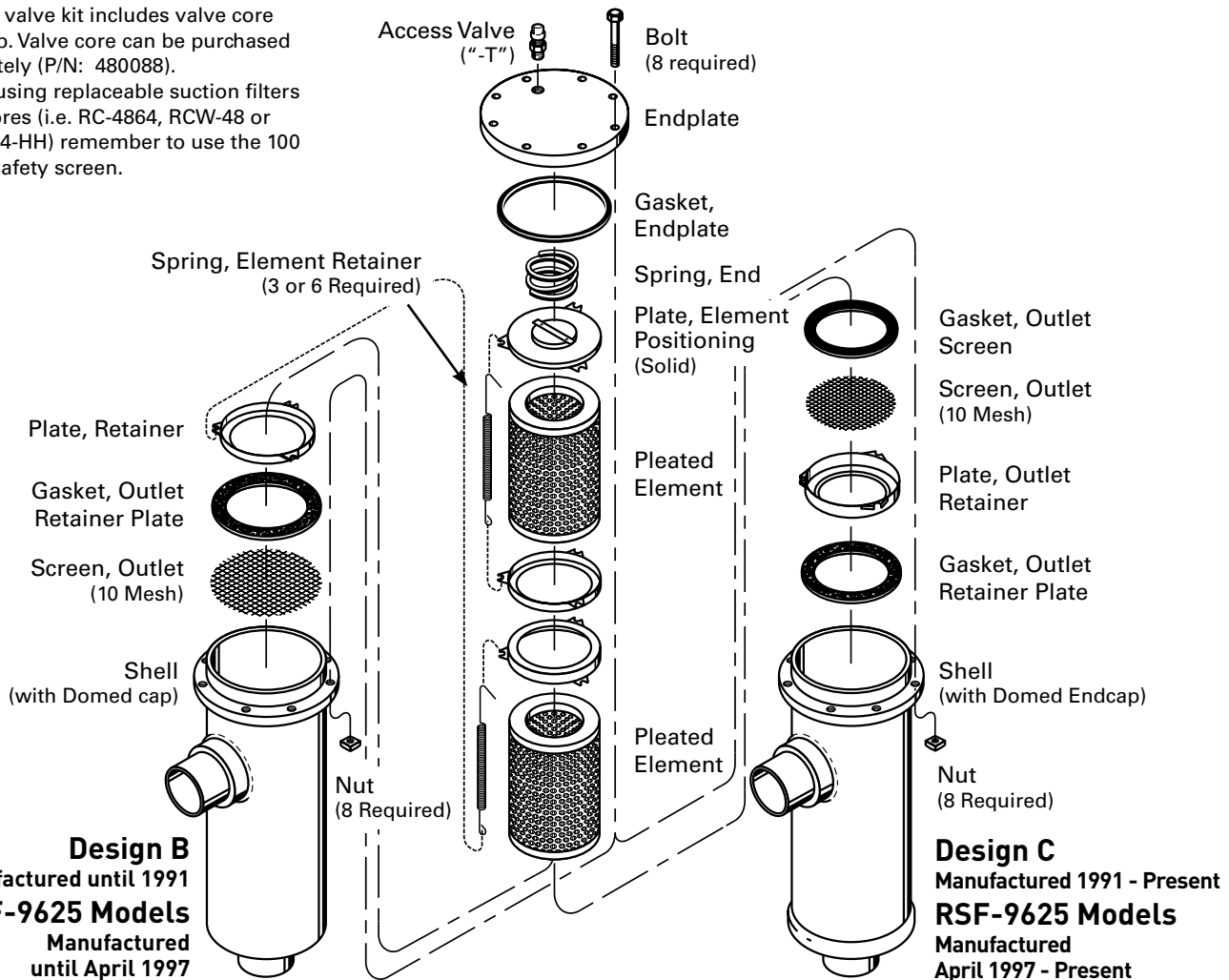
Item No.: 481308, A-175-2 Mounting Bracket for shell types C-30000 and C-40000 series. **Two** brackets per package. Two brackets are generally adequate for mounting these large Catch-Alls. All brackets are supplied with a bolt, nut, and washer.

# Replaceable Suction Filters

## RSF-480 and RSF-960 Series

RSF-480 and RSF-960 REPLACEMENT PARTS and PARTS KITS								
DESIGN	ITEM NUMBER	PART NUMBER and DESCRIPTION		NOT SUPPLIED IN KIT	RSF-480 SERIES		RSF-960 SERIES	
					ITEM NUMBER			
					801000	481404	801050	481406
					INTERNAL PARTS KIT			
					K-RSF480-B	K-RSF480-C	K-RSF960-B	K-RSF960-C
B, C	183174	—	Access Valve Kit (1/4" SAE x 1/4" NPT) ①	X				
B, C	481289	4086-11	Bolt 5/16" x 1-3/4" (8 Req'd)	X				
B, C	480031	5318-5	Endplate	X				
B, C	481125	1288-001	Gasket, Endplate (1/16" Thick)	X				
B	—	—	Gasket, Outlet Retainer Plate		1		1	
C	481116	5383-5	Gasket, Outlet Retainer Plate			1		1
C	481117	5383-6	Gasket, Outlet Screen			1		1
B, C	481287	6244-2	Nut 5/16" (8 Req'd)	X				
B, C	481088	5289-1	Plate, Element Positioning (Solid)		1	1	1	1
C	481089	5295-3	Plate, Outlet Retainer			1		1
B, C	481095	5296-4	Plate, Retainer (1 to 3 Req'd)		1		3	2
B	—	—	Screen, Outlet - 10 Mesh		1		1	
C	481276	6172-6	Screen, Outlet - 10 Mesh			1		1
B, C	481272	6171-5	Screen, Outlet - 100 Mesh ②	X				
B, C	481260	4602-5	Spring, Element Retainer		3	3	6	6
B, C	481251	5327-3	Spring, End		1	1	1	1

- ① Access valve kit includes valve core and cap. Valve core can be purchased separately (P/N: 480088).
- ② When using replaceable suction filters with cores (i.e. RC-4864, RCW-48 or RC-4864-HH) remember to use the 100 mesh safety screen.

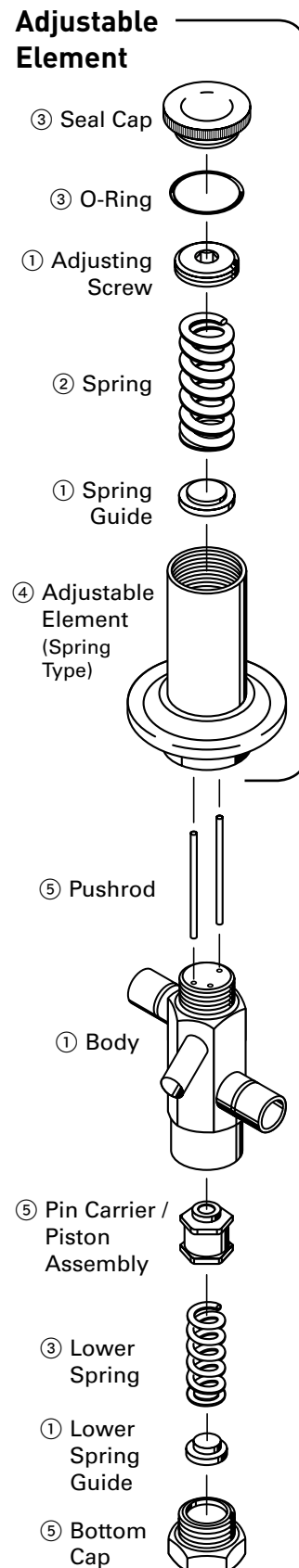
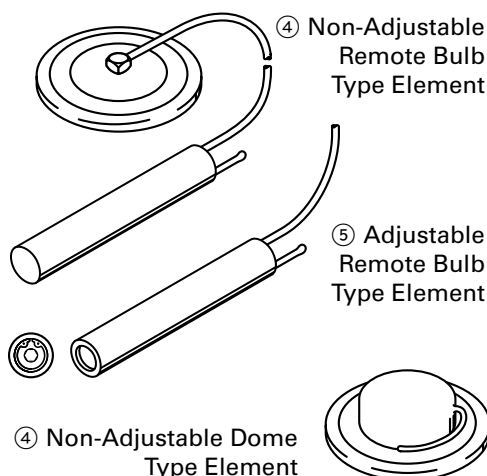


# Pressure Regulating Valves (A)DRI(E), (A)DRS(E), (A)DRP(E) and (A)DRH(E) Series

REPLACEMENT PARTS and PARTS KITS									
ITEM NO.	PART NUMBER and DESCRIPTION		VALVE TYPE						
			(A)DRI(E)	(A)DRS(E)-2	(A)DRP(E)-3	(A)DRH(E)-6	DRS(E)-2	DRP(E)-3	DRH(E)-6
QUANTITY REQUIRED									
REPLACEMENT PARTS SOLD SEPARATELY									
183701	621-024	O-Ring		1	1	1			
908006	1373-000	Seal Cap		1	1	1			
183155	558-000	Lower Spring				1		1	
183157	559-000				1				
183159	561-000						1		
183169	696-000			1			1		
183145	1031-000			1					
183026	1524-000	Inlet Str. 3/8 ODF	1						
908014	877-003	Inlet Str. 3/8 ODF		1			1		
908012	877-004	Inlet Str. 1/2 ODF		1	1		1	1	
908009	877-005	Inlet Str. 5/8 ODF		1	1	1	1	1	
908011	877-007	Inlet Str. 7/8 ODF				1		1	
908013	877-009	Inlet Str. 1-1/8 ODF				1		1	
REPLACEMENT SPRING KITS (FOR ADJUSTABLE ELEMENTS)									
908023	K-1800E-1	0/30 Adj. Range		1	1	1			
908025	K-1800E-2	0/80 Adj. Range		1	1	1			
REPLACEMENT ELEMENTS									
—	A-4-****	Adjustable	1						
—	A-8-*				1				
—	A-3-*					1	1		
—	B-3P-**AR	Adjustable Remote Bulb					1		
—	B-3H-**AR							1	
—	D-8-***	Non-Adjustable Dome				1			
—	D-3P-***						1		
—	D-3H-***							1	
—	R-8-***	Non-Adjustable Bulb				1			
—	R-3P-***						1		
—	R-3H-***							1	
REPLACEMENT INTERNAL PARTS KITS									
908043	KH-6	Includes: Pushrod, Piston Assy., Lower Spring, Bottom Cap				1		1	

\* Specify 0/30 or 0/80 adjustment range.  
 \*\* Specify 25/35, 32/44, 55/70, 50/65, or 65/80 adjustment range.  
 \*\*\* Specify pressure setting.  
 \*\*\*\* Specify 0/55, 0/75 or 0/100 adjustment range. Available for replaceable element style valves only. The design change to replaceable elements began in 1993.

- ① Replacement part **not** available.
- ② Part is **not** available separately, but is included with the Replacement Springs Kit and is in the Replacement Element. See Table above.
- ③ Part is available separately. See Table above.
- ④ Part is available as a replacement element. See Table above.
- ⑤ Part available for (A)DRHE-6 only in KH-6 kit.



# Pressure Regulating Valves

## (S)ORIT Series

<b>(S)ORIT REPLACEMENT PARTS and PARTS KITS</b>								
ITEM NUMBER	PART NUMBER and DESCRIPTION DRAWING ON PAGE 45		VALVE TYPE and SIZE					
			ORIT			SORIT		
			12	15	20	12	15	20
REPLACEMENT PARTS SOLD SEPARATELY								
958070	2421-000	Adaptor		1			1	
958071	2422-000				1			1
958173	2420-002	Body Flange		1			1	
958174	2423-002				1			1
958101	1390-000	Coil Screw				1	1	1
—	5014-xxx	Valve Nameplate (Specify Valve Type, Voltage & Frequency)				1	1	1
908024	A-4 0/100	Element	1	1	1	1	1	1
908073	A-4 75/150	Element	1	1	1	1	1	1
183058	2625-001	Cap Screw			4			4
183060	2625-002			4			4	
—	MKC-1	Coil, specify voltage & frequency				1	1	1
183604	2539-000	Adaptor Gasket - Wolverine			1			1
183675	2645-000	Adaptor Gasket - Tetraseal	1	1		1	1	
183184	4323-000	Gasket (Enclosing Tube Locknut Style From Date Code 3998 to Present) Not Shown				1	1	1
968015	621-016	O-Ring (Enclosing Tube Locknut Style Prior to Date Code 3898) Not Shown				1	1	1
183685	621-014	O-Ring (Enclosing Tube 4 Screw Style Only) Not Shown				1	1	1
382170	13681-1	Locknut	1			1		
183602	621-028	O-Ring		1			1	
183607	4508-031					1		1
958042	2445-000	Strainer	1	1	1	1	1	1
481140	JP-543-002	Copper Flare Gasket						1 ①
REPLACEMENT PARTS KITS								
PILOT ASSEMBLY KITS								
958016	K-Y1005-1	All Kits include: Pilot Assembly, Inlet Strainer, Gaskets, Tetraseal and Screws				1	1	1
958002	K-Y1010			1	1	1		
INTERNAL PARTS KITS								
958005	KS-ORI-12 ②	All Kits include: Gasket(s), Piston and Spring. The KS-ORI-12 also includes the Adaptor. The KS-ORI/CDA-15, KS-ORI/CDA-20 and KSSHGB-15 also include a Body Sleeve & O-Ring	1			1		
958007	KS-ORI/CDA-15				1		1	
958009	KS-ORI/CDA-20					1		1
CDA TO SORIT CONVERSION KITS								
958076	KSM-ORIT-12	All Kits include: Pilot Assembly Kit and Adaptor. KSM-(S)ORIT-15 & 20 also include: Body Flange. KSM-(S)ORIT-12 also includes: Piston & Locknut	1					
958078	KSM-ORIT-15				1			
958080	KSM-ORIT-20					1		
958075	KSM-SORIT-12 ③						1	
958077	KSM-SORIT-15 ③							1
958079	KSM-SORIT-20 ③							1

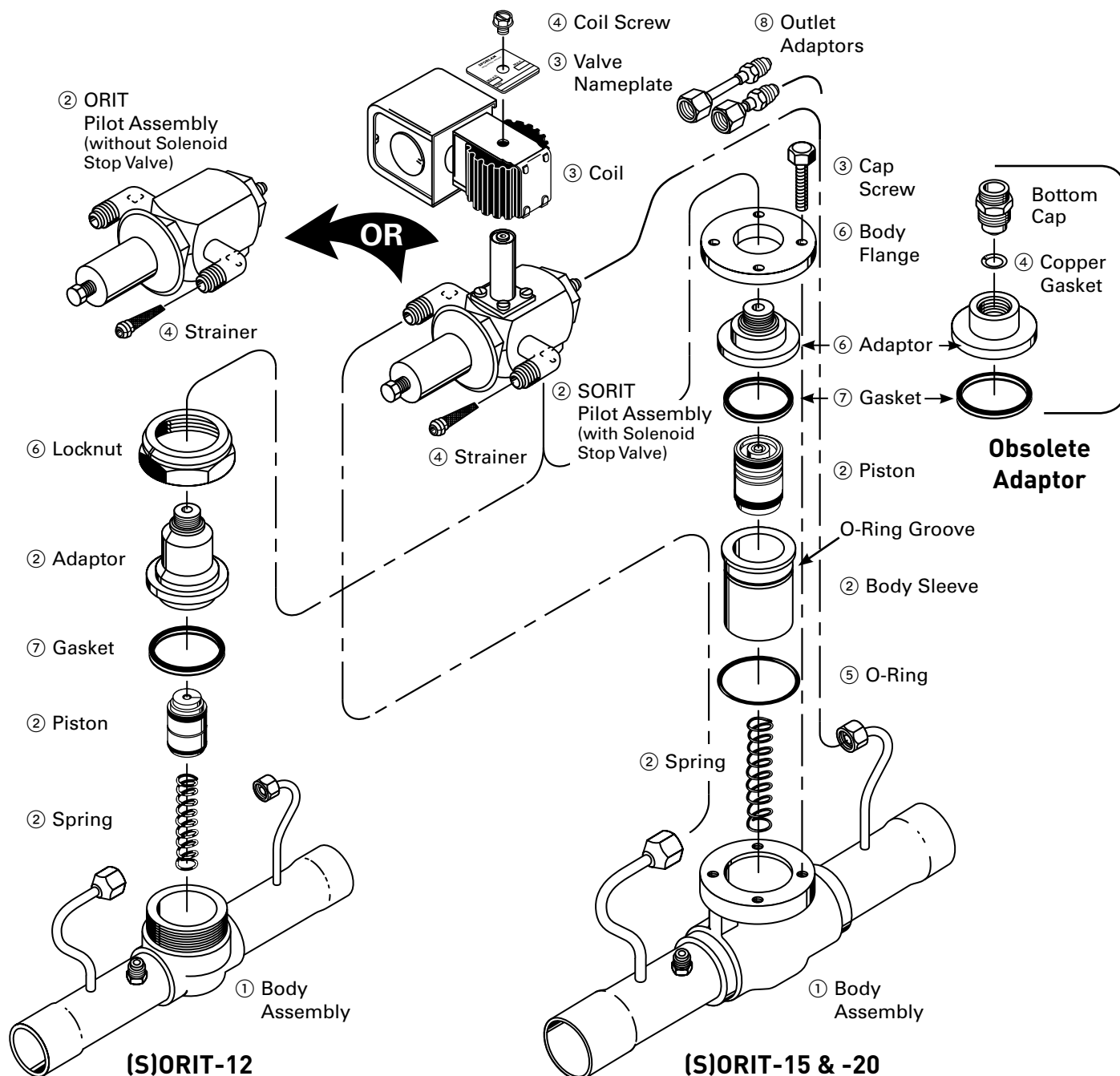
① This part may be necessary to adapt a new (S)ORIT Pilot to some obsolete valves.

② Replacement (S)ORIT-12 Internal Parts are only compatible with the Y1005 and Y1010 Pilot Valves. When using these parts with obsolete Pilot Valves, the Pilot Valves must also be replaced

③ If ordering an ORIT to (S)ORIT CONVERSION KIT or a CDA to SORIT CONVERSION KIT, an MKC-1 coil is required. Order coil as a separate item and specify electrical specifications.

# Pressure Regulating Valves (S)ORIT Series

See Parts Table on Page 44

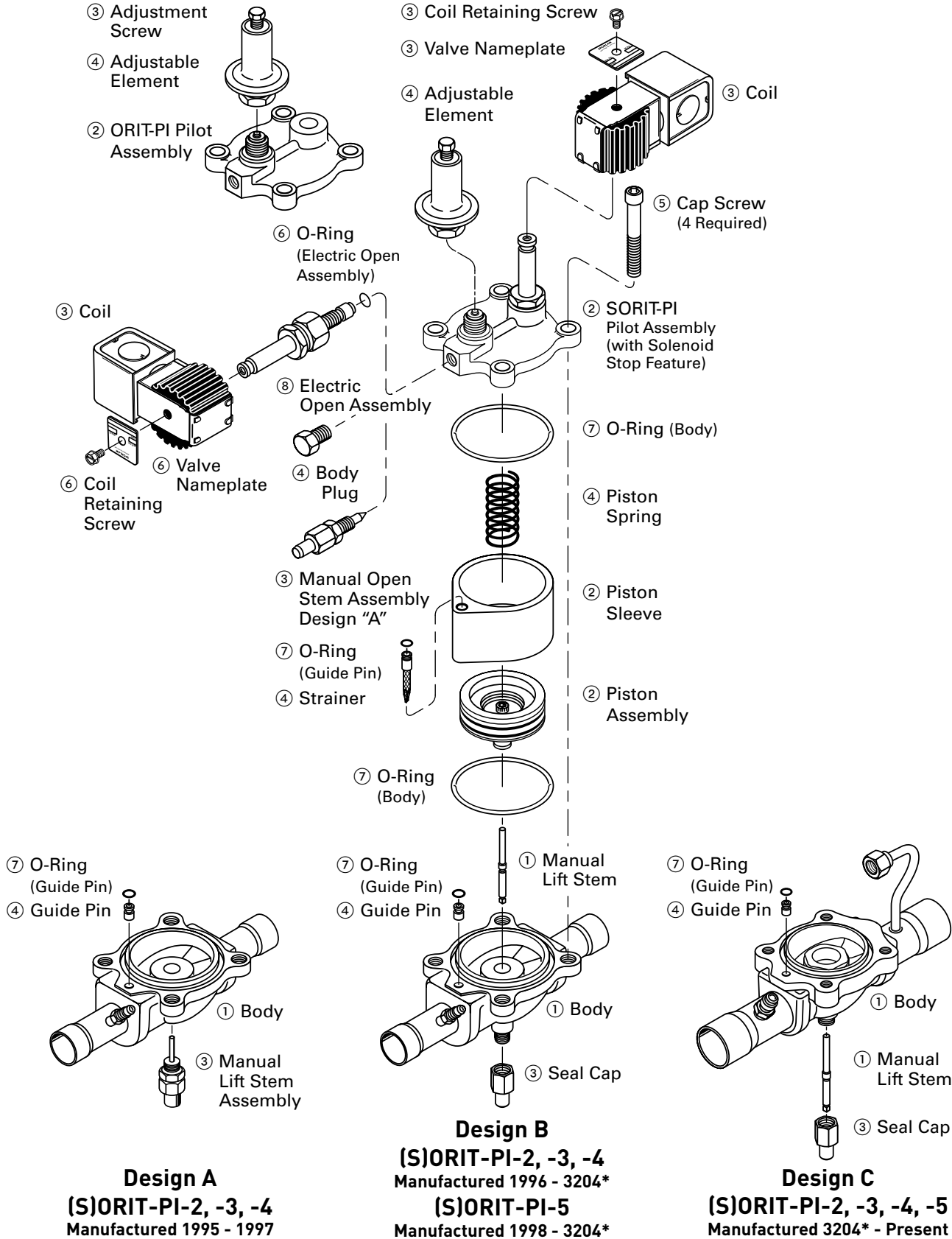


- ① Replacement part **not** available.
- ② Part is **not** available separately, but is included with the Parts Kit. See Page 44.
- ③ Part is available separately. See Page 44.
- ④ Part is available separately, and is also included with the Pilot Assembly Kit. See Page 44.
- ⑤ Part is available separately and is also included with the Internal Parts Kit. See Page 44.

- ⑥ Part is available separately and is also included with the CDA to SORIT CONVERSION KIT. See Page 44.
- ⑦ Part is available separately and is also included with the Pilot Assembly Kit and the Internal Parts Kit. See Page 44.
- ⑧ Outlet adaptors applied to original (S)ORIT-15 and -20 (1981-1983). The components are no longer available. Fabricate in the field as required.

# Pressure Regulating Valves (S)ORIT-PI Series

See Parts Table on Page 47



\*Date Code 00(Week)00(Year), Example: 3204 = 32nd week of 2004

# Pressure Regulating Valves (S)ORIT-PI Series

<b>(S)ORIT-PI REPLACEMENT PARTS and PARTS KITS</b>					
ITEM NO.	PART NUMBER and DESCRIPTION DRAWING ON PAGE 46			VALVE TYPE	
				ORIT-PI	SORIT-PI
<b>REPLACEMENT PARTS SOLD SEPARATELY</b>					
480088	5853-000	Access Valve Core (Not shown)	1	1	
908024	A-4-0/100	Adjustable Element	1	1	
908073	A-4-75/150	Adjustable Element	1	1	
183130	1806-002	Adjustment Screw	1	1	
958121	4089-000	Body Plug	1	1	
958086	JP-2520-003	Cap, Access Valve (Not Shown)	1	1	
958171	506-012	Cap Screws, Socket Head	4	4	
—	MKC-1*	Coil, specify voltage & frequency	—	1	
958101	1390-000*	Coil Retaining Screw	—	1	
958089	3743-000	Guide Pin	1	1	
—	2000-10	Manual Open Stem Assembly (Required for Design "A" Only)	1	1	
—	2000-11	Manual Lift Stem Assembly (Required for Design "A" Only)	1	1	
958092	621-143	O-Ring - Body	2	2	
958147	4508-010	O-Ring - Guide Pin	2	2	
958147	4508-010	O-Ring - Electric Open Assembly	1	1	
183184	4323-000	Gasket - Enclosing Tube (Not Shown) For Date Codes 3598 to Present	—	1	
183690	621-016	O-Ring - Enclosing Tube (Not Shown) For Date Codes through 3498	—	1	
183184	4323-000	Gasket - Electric Open Enclosing Tube (Not Shown) For Date Codes 3798 to Present	1	1	
183690	621-016	O-Ring - Electric Open Enclosing Tube (Not Shown) For Date Codes through 3698	1	1	
958094	3742-000	Piston Spring	1	1	
183200	4169-000	Seal Cap	1	1	
183154	4269-000	Strainer (200 mesh)	1	1	
—	5014-xxx	Valve Nameplate (Specify valve type, voltage, & frequency)	—	1	
—	5773-006	Valve Nameplate, Electric Open (Specify voltage & frequency)	1	1	
<b>REPLACEMENT PARTS KITS</b>					
381610	RK-ORIT-PI-2-0/100	All Kits include: Pilot Assembly Piston Sleeve Equalizer and Pilot Tube with 1/4 SAE Flare Nut Body O-Ring (2) Guide Pin O-Ring (2) Strainer Piston Assembly Piston Spring Guide Pin Cap Screw (2)	1	1	
381611	RK-ORIT-PI-2-75/150				
381612	RK-ORIT-PI-3-0/100				
381614	RK-ORIT-PI-3-75/150				
381615	RK-ORIT-PI-4-0/100				
381616	RK-ORIT-PI-4-75/150				
381617	RK-ORIT-PI-5-0/100				
381618	RK-ORIT-PI-5-75/150				
381603	RK-SORIT-PI-2-0/100				
381606	RK-SORIT-PI-2-75/150				
381602	RK-SORIT-PI-3-0/100				
381605	RK-SORIT-PI-3-75/150				
381604	RK-SORIT-PI-4-0/100				
381607	RK-SORIT-PI-4-75/150				
381608	RK-SORIT-PI-5-0/100				
381609	RK-SORIT-PI-5-75/150				
958088	K-PI-E	Electric Open Assembly (Includes Nameplate, Coil Retaining Screw)	1	1	
380901	KG-(S)ORIT-PI	O-Ring Kit (Includes Body O-Ring (2), Guide Pin O-Ring (2) )	1	1	

### Notes for drawing on Page 46.

- ① Replacement part **not** available.
- ② Part is **not** available separately, but **is** included with the Replacement Parts Kit. See Table above.
- ③ Part is available separately. See Table above.
- ④ Part **is** available separately and **is** also included with the Replacement Parts Kit. See Table above.
- ⑤ Part **is** available separately, however 2 cap screws are included in the Replacement Parts Kit. See Table above.
- ⑥ Part **is** available separately and **is** also included with the K-PI-E Electric Open Assembly. See Table above.
- ⑦ Part **is** available separately and **is** also included with the Replacement Parts Kit and O-Ring Kit. See Table above.
- ⑧ Part is **not** available separately but **is** included with the K-PI-E Electric Open Assembly. See Table above.

### (S)ORIT-PI CAPACITY CONVERSION KIT\*\*\*

CURRENT VALVE SIZE	DESIRED VALVE SIZE	REMOVE EXISTING SEAT	INSTALL NEW SEAT	PISTON ASSEMBLY AND SEAT KIT
(S)ORIT-PI-2	(S)ORIT-PI-3	Yes	Yes	SK-PI-4 to 3
(S)ORIT-PI-2	(S)ORIT-PI-4	Yes	No	SK-PI-4**
(S)ORIT-PI-3	(S)ORIT-PI-2	Yes	Yes	SK-PI-4 to 2
(S)ORIT-PI-3	(S)ORIT-PI-4	Yes	No	SK-PI-4**
(S)ORIT-PI-4	(S)ORIT-PI-2	N/A	Yes	SK-PI-4 to 2
(S)ORIT-PI-4	(S)ORIT-PI-3	N/A	Yes	SK-PI-4 to 3
(S)ORIT-PI-5	(S)ORIT-PI-3	N/A	Yes	SK-PI-5 to 3
(S)ORIT-PI-5	(S)ORIT-PI-4	N/A	Yes	SK-PI-5 to 4

\* Increase quantity required by one when electric open assembly is used.

\*\* Seat not supplied or required.

\*\*\* For product with date code 3204 or later.

Date Code 00(Week)00(Year), Example: 3204 = 32nd week of 2004

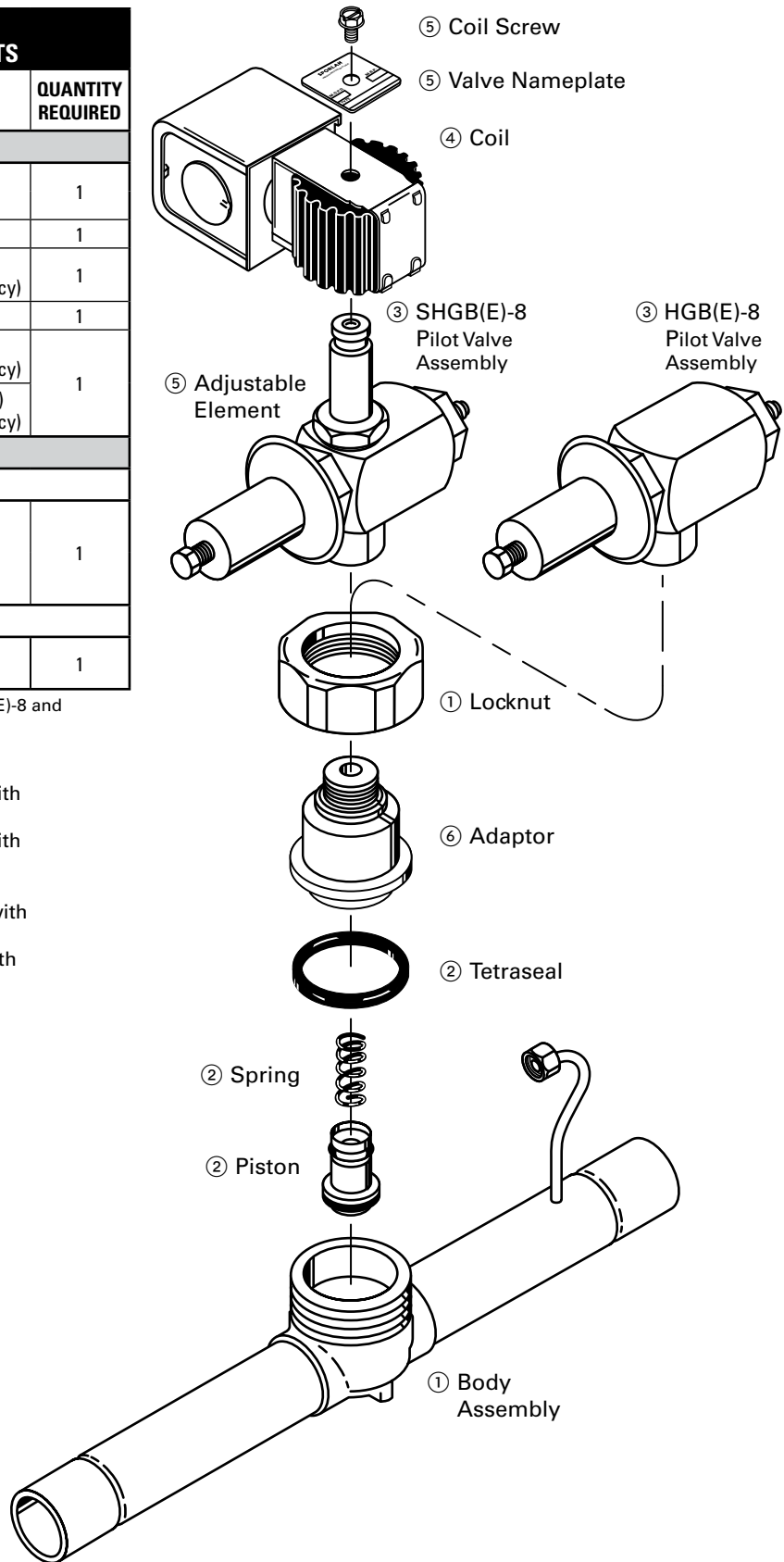


# Pressure Regulating Valves (S)HGB(E)-8 Series

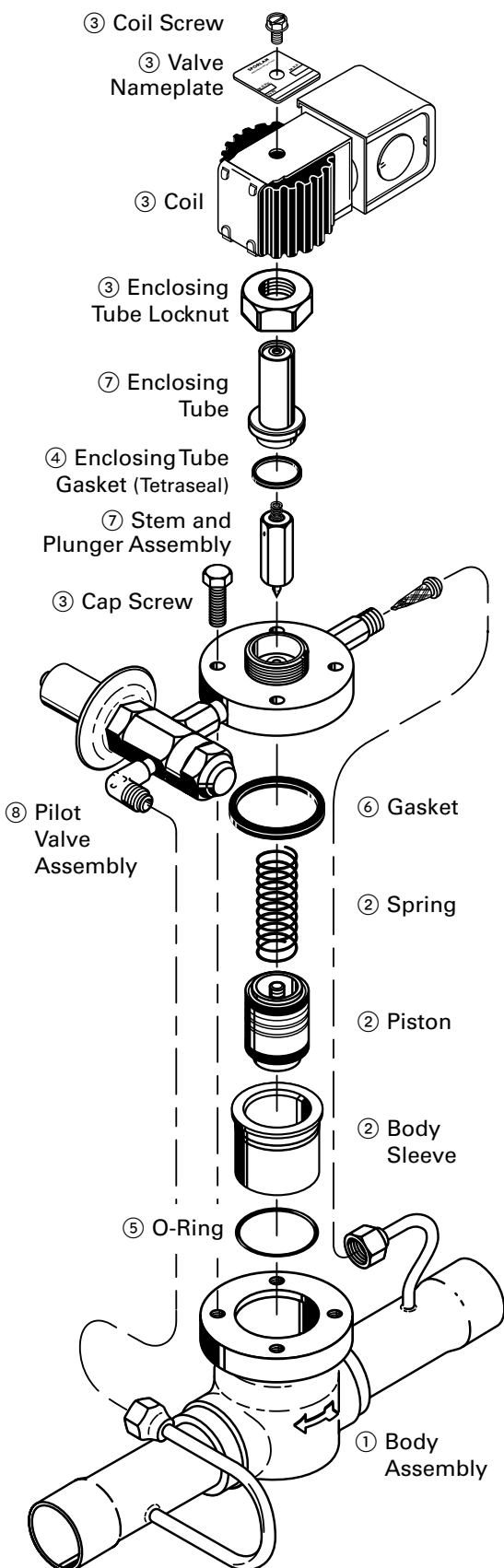
SHGB(E)-8-0/100 REPLACEMENT PARTS and PARTS KITS			
ITEM NUMBER	PART NUMBER and DESCRIPTION		QUANTITY REQUIRED
<b>REPLACEMENT PARTS SOLD SEPARATELY</b>			
908024	A-4-0/100	Adjustable Element	1
908073	A-4-75/150		
958101	1390-000	Coil Screw	1
—	MKC-1 Coil	MKC-1 Coil (Specify Voltage & Frequency)	1
183620	123-002	Gasket	1
—	5041-000	Valve Nameplate (SHGB-8) (Specify Voltage & Frequency)	1
—	5041-001	Valve Nameplate (SHGBE-8) (Specify Voltage & Frequency)	
<b>REPLACEMENT PARTS KITS</b>			
<b>PILOT ASSEMBLY KIT</b>			
958157	K-(S)HGB(E)-8-0/75	Includes: Pilot Valve Assembly, Gasket, Adaptor, Coil Screw, and Valve Nameplate	1
958110	K-(S)HGB(E)-8-0/100		
<b>INTERNAL PARTS KIT</b>			
958120	KS-(S)HGB(E)-8*	Includes: Adaptor, Gasket, Spring and Piston	1

\* The KS-(S)HGB(E)-8 parts kit is used with both the SHGB(E)-8 and the HGB(E)-8.

- ① Replacement part **not** available.
- ② Part is **not** available separately, but **is** included with the Parts Kit.
- ③ Part is **not** available separately, but **is** included with the Pilot Assembly Parts Kit.
- ④ Part **is** available separately.
- ⑤ Part **is** available separately and **is** also included with the Pilot Assembly Parts Kit.
- ⑥ Part is **not** available separately but **is** included with the Pilot Assembly Kit and the Internal Parts Kit.



# Pressure Regulating Valves SHGB(E)-15 Series



SHGB(E)-15-0/75 REPLACEMENT PARTS and PARTS KITS			
ITEM NUMBER	PART NUMBER and DESCRIPTION		QUANTITY REQUIRED
<b>REPLACEMENT PARTS SOLD SEPARATELY</b>			
908024	A-4-0/75	Adjustable Element	1
183060	2625-002	Cap Screw	4
958101	1390-000	Coil Screw	1
—	MKC-2 Coil	MKC-2 Coil (Specify Voltage & Frequency)	1
183660	641-3*	Enclosing Tube Gasket	1
382150	13252-1	Enclosing Tube Locknut	1
183675	2645-000	Gasket	1
183602	621-028	O-Ring	1
958042	2445-000	Strainer	1
—	548-001	Valve Nameplate (SHGB) (Specify Voltage & Frequency)	1
—	548-003	Valve Nameplate (SHGBE) (Specify Voltage & Frequency)	1
<b>REPLACEMENT PARTS KITS</b>			
<b>PILOT ASSEMBLY KIT</b>			
958022	K-Y917	Includes: Pilot Valve Assembly, Enclosing Tube Locknut, Enclosing Tube, Stem and Plunger Assembly, Enclosing Tube Gasket, Inlet Strainer Screen and Tetraseal, (4) Cap Screws	1
<b>INTERNAL PARTS KIT</b>			
958021	KS-SHGBE(E)-15	Includes: Piston, Body Sleeve, O-Ring, Spring and Gasket	1
<b>ENCLOSING TUBE KIT</b>			
382355	KE-9	Includes: Enclosing Tube Assembly, Enclosing Tube Gasket, Coil Screw	1

\* Refer to the table below regarding part numbers for the enclosing tube gasket (tetraseal) and the new wolverine gasket.

Item Number	New Style Wolverine Gasket	Item Number	Old Style Tetraseal Gasket
380104	14000-2	183660	641-3

The SHGB(E)-15, OLDR-15, LDR-15, XTM, XTO, LDR-20, OLDR-20 and DDR-20 valves have been redesigned. The design change includes a new enclosing tube gasket that can easily be identified as a thin, synthetic coated metal gasket. The old gasket is a thicker type of O-ring with a square cross section, known as a tetraseal. See the partial cross sections of the valve body above.

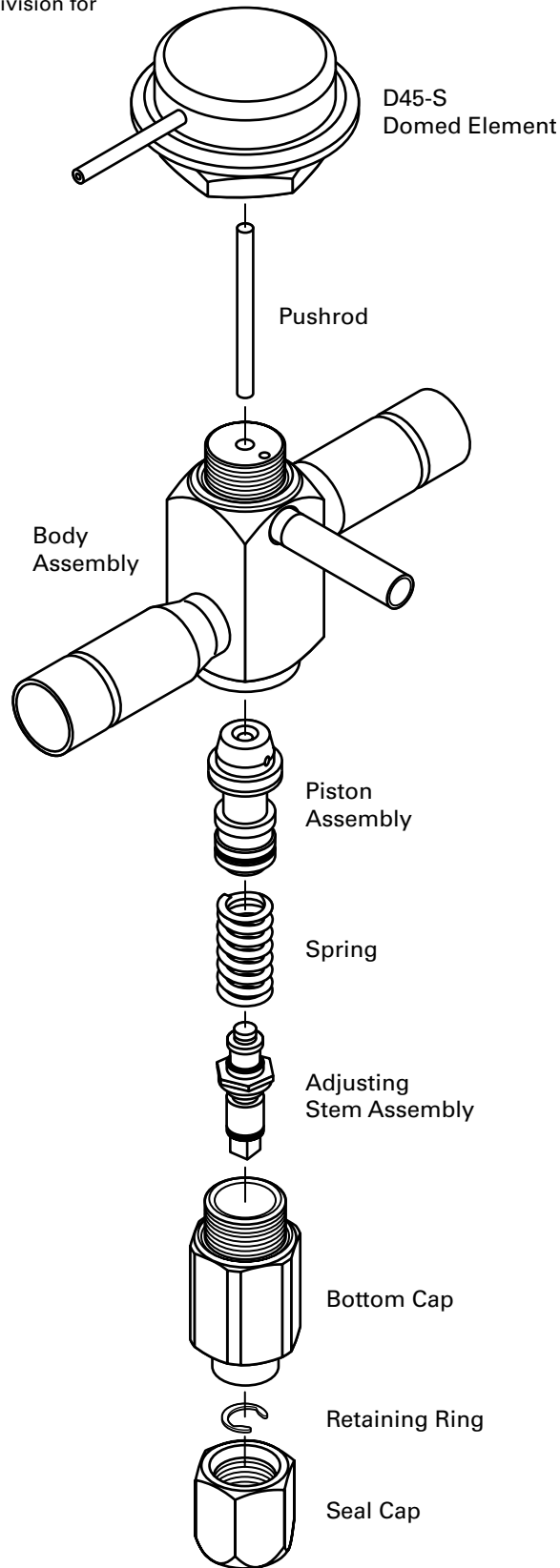
The gaskets and the enclosing tubes of the two designs are not interchangeable. The new enclosing tube assembly with both a wolverine gasket and a tetraseal are included in the replacement parts kit for the valves listed above.

- ① Replacement part **not** available.
- ② Part is **not** available separately, but **is** included with the Internal Parts Kit.
- ③ Part **is** available separately.
- ④ Part **is** available separately and **is** also included with the Enclosing Tube Kit.
- ⑤ Part **is** available separately and **is** also included with the Internal Parts Kit.
- ⑥ Part **is** available separately and **is** also included with the Pilot Assembly Kit and the Internal Parts Kit.
- ⑦ Part is **not** available separately but **is** included with the Pilot Assembly Kit and the Enclosing Tube Kit.
- ⑧ Part is **not** available separately but **is** included with the Pilot Assembly Kit.

# Pressure Regulating Valves HGBE-5 Series

---

Note: Replacement parts for the HGBE-5 are currently **not** available. Contact the Sporlan Division for future availability.

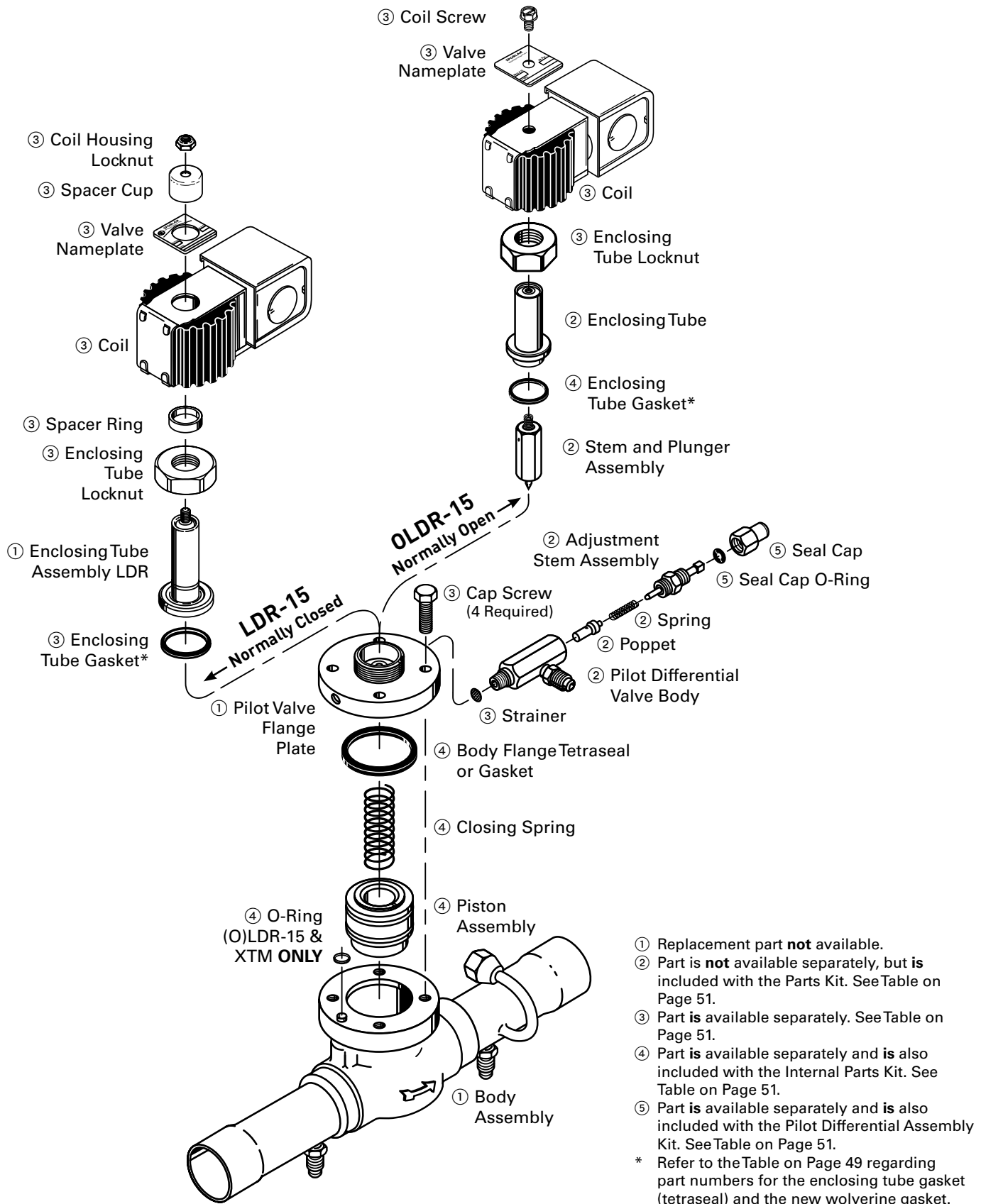


# Pressure Regulating Valves (O)LDR Series

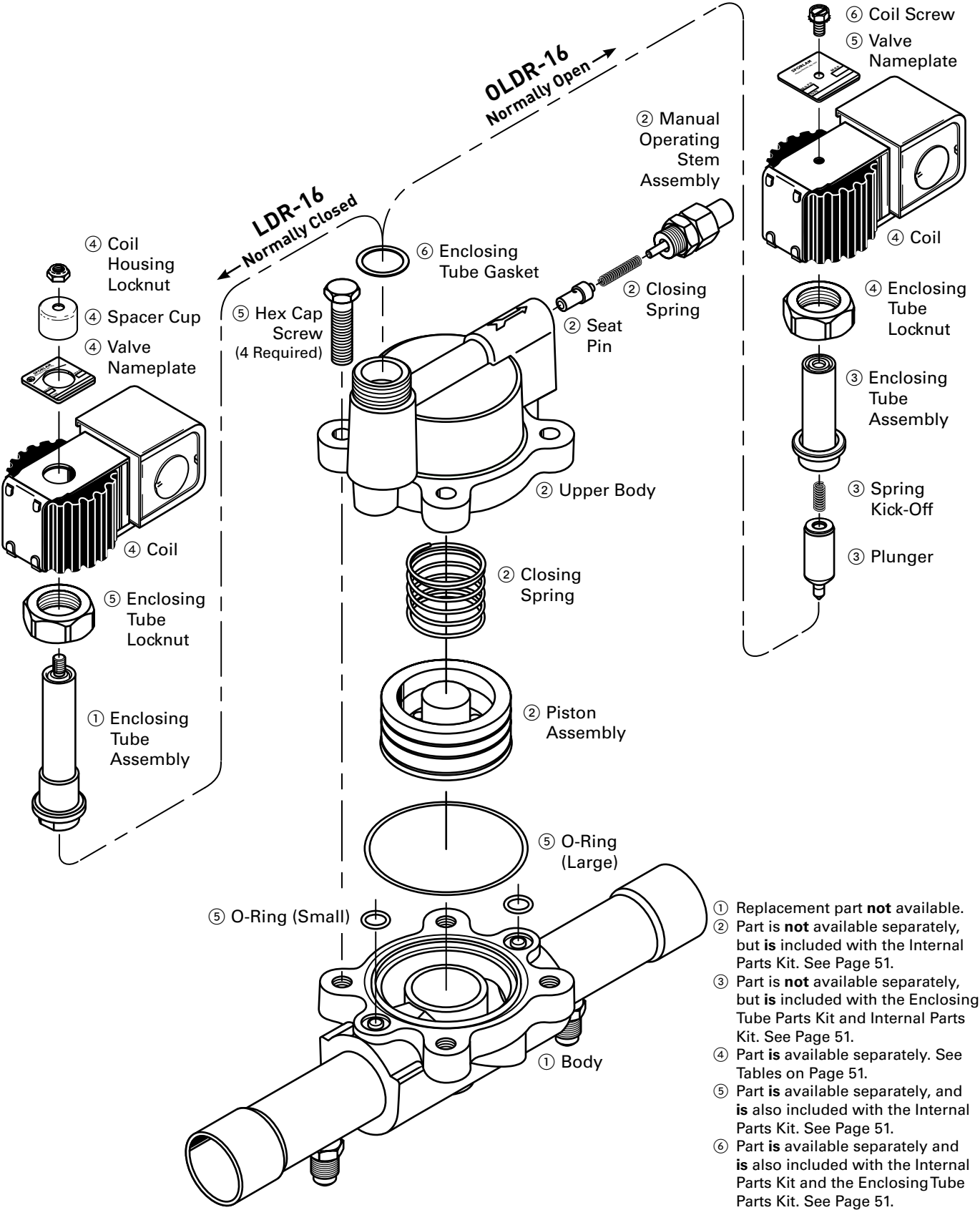
<b>(O)LDR REPLACEMENT PARTS and PARTS KITS</b>										
ITEM NUMBER	PART NUMBER and DESCRIPTION DRAWINGS ON PAGES 52, 53 and 54		VALVE TYPE and SIZE							
			LDR-15	XTM	OLDR-15	LDR-16	OLDR-16	LDR-20	XTO	OLDR-20
QUANTITY REQUIRED										
REPLACEMENT PARTS SOLD SEPARATELY										
—	641-006 (Prior to 2004)	Body Flange Tetraseal	1	1	1					
183675	2645-000 (As of 2004)									
382260	21007-7	Cap Screw						4	4	4
—	21028-7					4	4			
382200	4208-5		4	4	4					
—	MKC-1	Coil (Specify Voltage & Frequency)					1			
—	MKC-2				1					1
—	OMKC-1					1				
—	OMKC-2			1	1			1	1	
382005	1025-1	Coil Housing Locknut	1	1				1	1	
—	1025-7				1					
958101	1390-000	Coil Housing Screw			1		1			1
183660	641-3 (Prior to 3-1999)	Enclosing Tube Gasket (Tetraseal)*	1	1	1			1	1	1
380104	14000-2 (As of 3-1999)									
—	14000-1				1	1				
382150	13252-1	Enclosing Tube Locknut	1	1	1			1	1	1
—	13256-2					1	1			
183710	938-1	Gasket						1	1	1
—	621-008 (Prior to 2004)	O-Ring	1	1	1					
958148	4508-008 (As of 2004)									
621-11	183608	O-Ring (small)				2	2			
621-036	968030	O-Ring (large)				1	1			
382580	2003-1	Seal Cap	1	1	1	1	1	1	1	1
382623	638-106	Seal Cap O-Ring	1	1	1	1	1	1	1	1
382003	2527-1	Spacer Ring	1	1				1	1	
382020	2717-6	Spacer Cup	1	1				1	1	
—	155826					1				
958069	173-000	Strainer	1	1	1			1	1	1
382008	14115	Valve Nameplate (Specify Valve Type, Voltage & Frequency)	1	1	1	1	1	1	1	1
REPLACEMENT PARTS KITS										
PILOT DIFFERENTIAL ASSEMBLY KIT										
382640	KS-XTT-1	Pilot Differential Valve	1	1	1			1	1	1
INTERNAL PARTS KIT										
381632	KS-XTM	Enclosing Tube Enclosing Tube Gasket Stem & Plunger Assembly Piston Assembly, Closing Spring O-ring, Body Flange Tetraseal	1	1						
381649	KS-OLDR -15	Enclosing Tube Gasket Plunger Assembly Piston Assembly, Closing Spring O-ring, Body Flange Tetraseal Enclosing Tube			1					
381653	KS-OLDR-16	Upper Valve Assembly Piston Assembly Enclosing Tube Locknut Closing Spring, O-Ring (large) O-Ring (small), Cap Screws					1			
381634	KS-XTO	Enclosing Tube Enclosing Tube Gasket Stem & Plunger Assembly Piston Assembly Closing Spring, Gasket						1	1	
381650	KS-OLDR -20	Enclosing Tube Gasket Plunger Assembly Piston Assembly, Closing Spring Gasket, Enclosing Tube								1
ENCLOSING TUBE KIT										
382355	KE-9	Enclosing Tube Assembly Enclosing Tube Gasket, Coil Screw			1					1
382435	KE-6						1			

\* Refer to the table on Page 49 regarding part numbers for the enclosing tube gasket (tetraseal) and the new wolverine gasket.

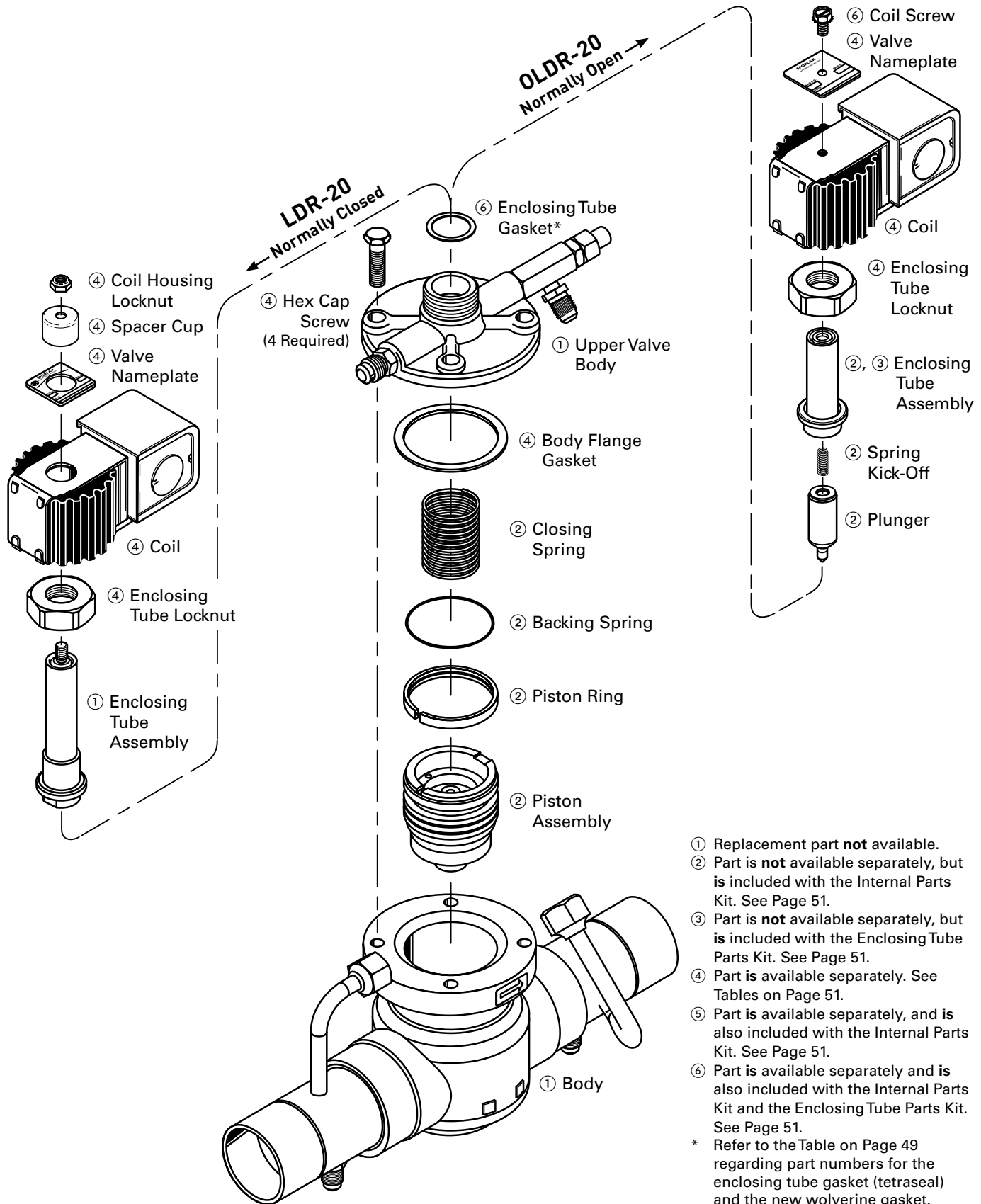
# Pressure Regulating Valves (O)LDR-15 Series



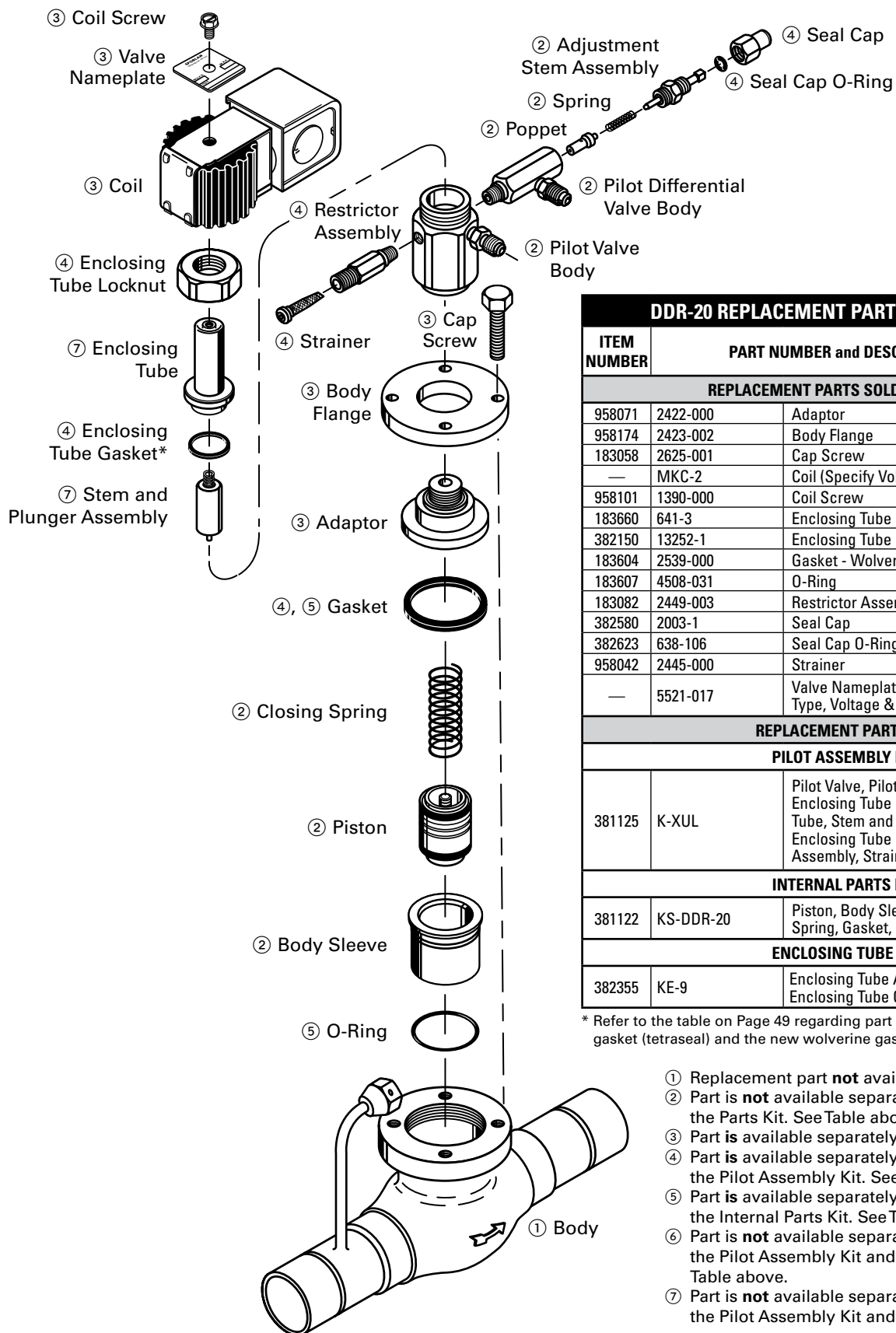
# Pressure Regulating Valves (O)LDR-16 Series



# Pressure Regulating Valves (O)LDR-20 Series



# Pressure Regulating Valves DDR-20 Series



DDR-20 REPLACEMENT PARTS and PARTS KITS			
ITEM NUMBER	PART NUMBER and DESCRIPTION		QUANTITY REQUIRED
<b>REPLACEMENT PARTS SOLD SEPARATELY</b>			
958071	2422-000	Adaptor	1
958174	2423-002	Body Flange	1
183058	2625-001	Cap Screw	4
—	MKC-2	Coil (Specify Voltage & Frequency)	1
958101	1390-000	Coil Screw	1
183660	641-3	Enclosing Tube Gasket (Tetraseal)*	1
382150	13252-1	Enclosing Tube Locknut	1
183604	2539-000	Gasket - Wolverine	1
183607	4508-031	O-Ring	1
183082	2449-003	Restrictor Assembly	1
382580	2003-1	Seal Cap	1
382623	638-106	Seal Cap O-Ring	1
958042	2445-000	Strainer	1
—	5521-017	Valve Nameplate (Specify Valve Type, Voltage & Frequency)	1
<b>REPLACEMENT PARTS KITS</b>			
<b>PILOT ASSEMBLY KITS</b>			
381125	K-XUL	Pilot Valve, Pilot Differential Valve, Enclosing Tube Locknut, Enclosing Tube, Stem and Plunger Assembly, Enclosing Tube Gasket, Restrictor Assembly, Strainer, Gasket	1
<b>INTERNAL PARTS KITS</b>			
381122	KS-DDR-20	Piston, Body Sleeve, Closing Spring, Gasket, O-Ring	1
<b>ENCLOSING TUBE KIT</b>			
382355	KE-9	Enclosing Tube Assembly, Enclosing Tube Gasket, Coil Screw	1

\* Refer to the table on Page 49 regarding part numbers for the enclosing tube gasket (tetraseal) and the new wolverine gasket.

- ① Replacement part **not** available.
- ② Part is **not** available separately, but **is** included with the Parts Kit. See Table above.
- ③ Part **is** available separately. See Table above.
- ④ Part **is** available separately and **is** also included with the Pilot Assembly Kit. See Table above.
- ⑤ Part **is** available separately and **is** also included with the Internal Parts Kit. See Table above.
- ⑥ Part is **not** available separately, but **is** included with the Pilot Assembly Kit and the Internal Parts Kit. See Table above.
- ⑦ Part is **not** available separately but **is** included with the Pilot Assembly Kit and the Enclosing Tube Kit.



# Pressure Regulating Valves

## Replacement Parts

CRANKCASE PRVs - EVAPORATOR PRVs - HEAD PRESSURE REGULATING VALVES								
ITEM NUMBER	PART NUMBER and DESCRIPTION		VALVE TYPE					
			CRO(E)-4	CRO(T)-6	CRO(T)-10	ORI(T)-6	ORI(T)-10	OROA-5
908039	838-000 ⑥	Valve Cap		1		1		
908041	895-000 ⑥				1		1	
183690	621-016	O-Ring, Valve Cap		1		1		
183601	621-023				1		1	
908017	KO-6-100/290	Spring Kit ②				1		
908019	KO-10-100/290	Spring Kit ③					1	
—	A-4S-①	Adjustable Element	1					
908074	825-003	Inlet Strainer (3/8" ODF)	1					
908002	825-004	Inlet Strainer (1/2" ODF)						
908001	825-005	Inlet Strainer (5/8" ODF)						1
908003	825-007	Inlet Strainer (7/8" ODF)		1		1		1
908005	825-009	Inlet Strainer (1-1/8" ODF)			1		1	
908007	825-011	Inlet Strainer (1-3/8" ODF)						

CONSTANT PRESSURE (AUTOMATIC) EXPANSION VALVES							
ITEM NUMBER	PART NUMBER and DESCRIPTION		VALVE TYPE				
			C	S	P	PDA	AJ(E) or ADR(E)
908026	A-2-0/80	Adjustable Element				1	
908028	A-3-0/30						
908030	A-3-0/80				1		
—	A-4-④ ⑤						1
908027	A-8-0/30						
908029	A-8-0/80		1	1			

Internal Parts Kits for Constant Pressure Expansion Valves are identical to the corresponding G, C, S, or PTEV Internal Parts Kits (refer to Page 19), however, the pushrod height requirements are different. The PDA-1-0/80 requires a pushrod height 0.008" greater than a DA(E)-1, the C and S Constant Pressure Expansion Valves require a pushrod height 0.018" greater than a C or S Thermostatic Expansion Valve and the P Constant Pressure Expansion Valve requires a pushrod height 0.010" greater than a P Thermostatic Expansion Valve. Internal Parts Kits are not available for AJ(E), NJ(E), or (A)DRI(E) valves.

- ① Specify 0/20, 0/50, 0/75 or 75/150 adjustment range.
- ② Can be used with ORI-6-65/225 to change adjustment range to 80/325.
- ③ Can be used with ORI-10-65/225 to change adjustment range to 100/290.
- ④ Specify 0/55, 0/75 or 0/100 adjustment range.
- ⑤ Available for replaceable element style valves only. Design change began in 1993.
- ⑥ Specify valve type and adjustment range.

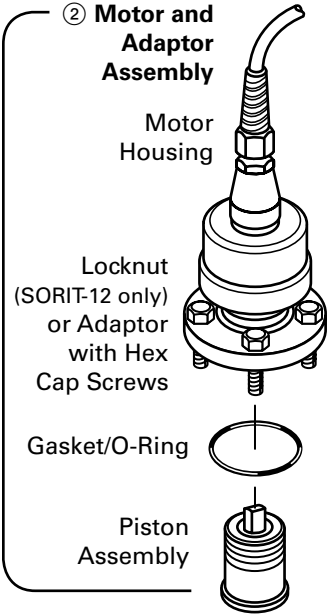
PILOT OPERATED HEAD PRESSURE CONTROL VALVES					
ITEM NUMBER	REPLACEMENT PILOT ASSEMBLY PARTS KITS				
	PART NUMBER and DESCRIPTION	ORIT-15-65/225	ORIT-20-65/225	CROT-12-65/225	CROT-15-65/225
958034	KS-ORI-15/20 P-65/225	1	1		
958040	KS-CRO-12/15 P-65/225			1	1
REPLACEMENT INTERNAL PARTS KITS					
958036	KS-ORI-15-65/225	1			
958038	KS-ORI-20-65/225		1		
958046	KS-CRO-12-65/225			1	
958050	KS-CRO-15-65/225				1

HEAD PRESSURE CONTROL VALVES					
ITEM NUMBER	PART NUMBER and DESCRIPTION		VALVE TYPE		
			LAC-4	LAC-5	LAC-10
908074	825-003	Inlet Strainer (3/8" ODF)	2		
908002	825-004	Inlet Strainer (1/2" ODF)			
—	D3L-①	Non-adjustable Dome Element		1	1
—	R3L-①	Non-adjustable Remote Bulb Element		1	1

- ① Specify setting.

# Electronic Temperature Control Systems

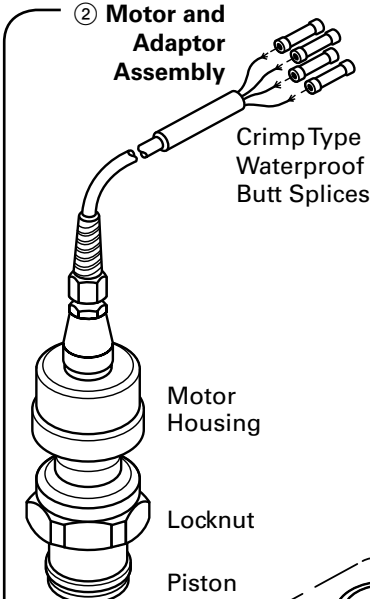
## CDS Series



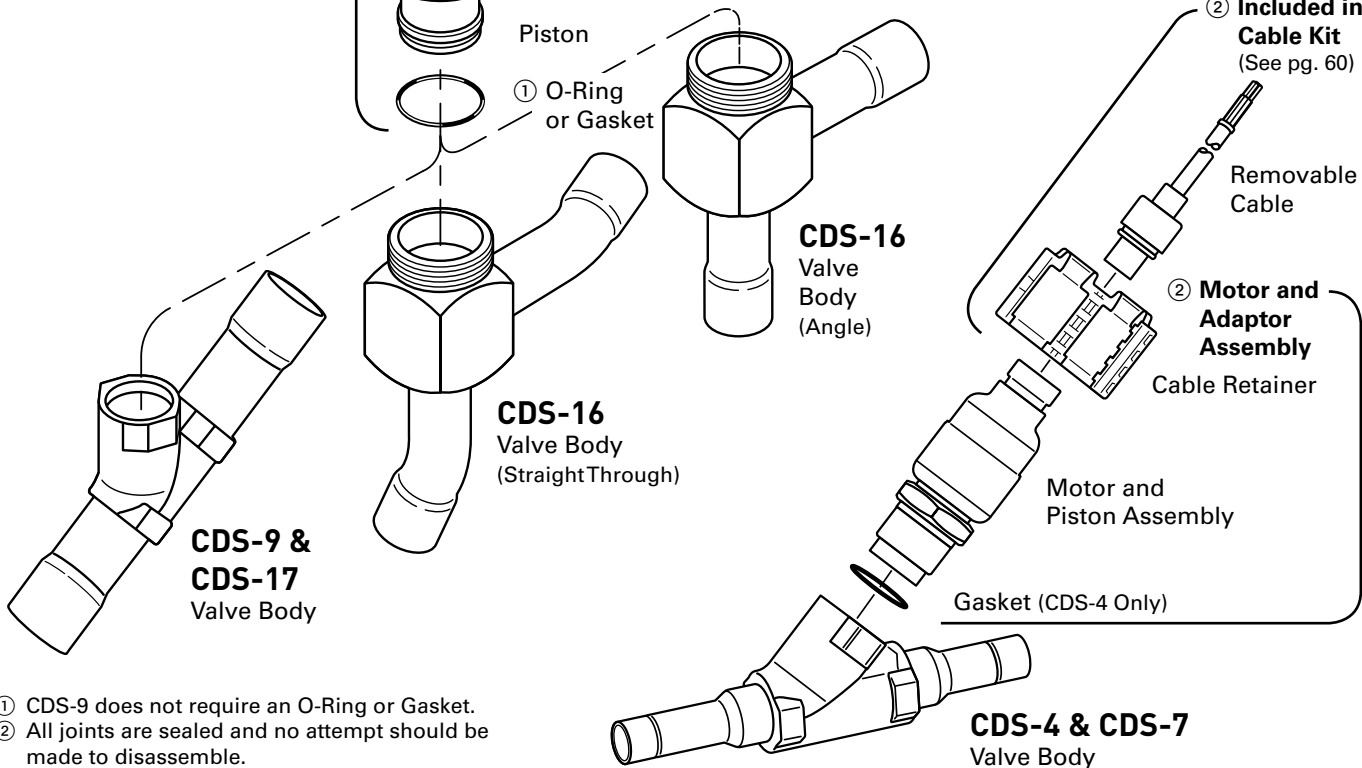
**SORIT to CDS Conversion Kit**

CDS PARTS KITS			
ITEM NUMBER	MODEL	MOTOR and ADAPTOR ASSEMBLY	O-RING or GASKET*
958182	CDS(T)-4**	KS-CDS(T)-4	380100
958183	CDS(T)-7**	KS-CDS(T)-7	—
958122	CDS(T)-9	KS-CDS(T)-9	—
958111	CDS(T)-16	KS-CDS(T)-16	908077
958123	CDS(T)-17	KS-CDS(T)-17	908078

\* Included in parts kit.  
 \*\* Cable retainers included in kit. Not available separately.



SORIT TO CDS CONVERSION KITS			
ITEM NUMBER	KIT NUMBER and DESCRIPTION	VALVE TYPE	
901658	KIT-SORIT-12 to CDS Motor, Adaptor, Lock Nut 2645-000 Seal Gasket Piston Assembly	(S)ORIT-12	
901654	KIT-SORIT-15 to CDS Motor Adaptor with Hex Cap Screws 0621-129 O-Ring Piston Assembly	(S)ORIT-15	
901655	KIT-SORIT-20 to CDS Motor Adaptor with Hex Cap Screws 2539-000 Gasket Piston Assembly	(S)ORIT-20	



① CDS-9 does not require an O-Ring or Gasket.  
 ② All joints are sealed and no attempt should be made to disassemble.

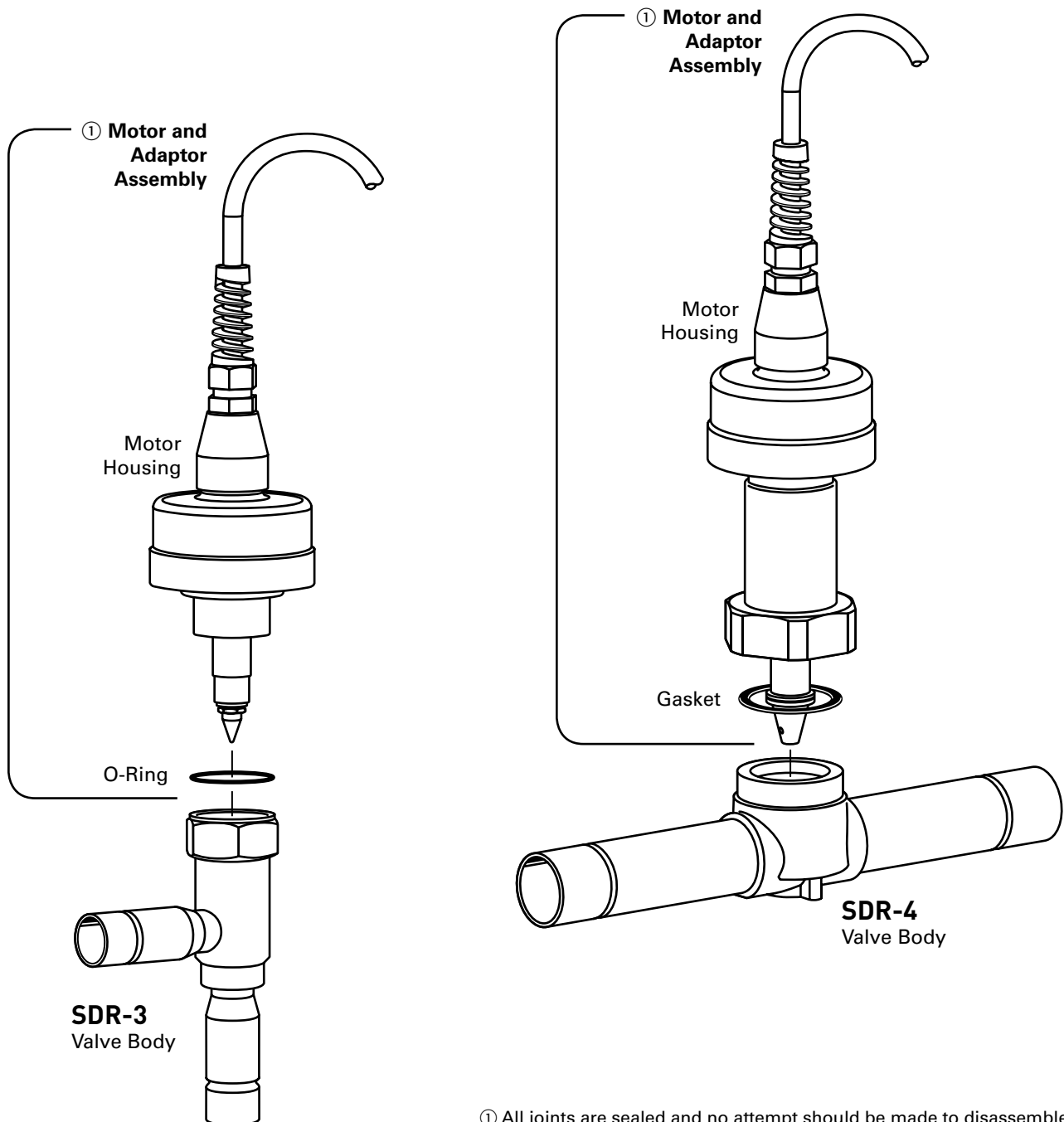
**CDS-4 & CDS-7 Valve Body**

# Electronic Temperature Control Systems

## SDR Series

SDR PARTS KITS			
ITEM NUMBER	MODEL	MOTOR and ADAPTOR ASSEMBLY	O-RING or GASKET ITEM NUMBER*
958131	SDR-3	KS-SDR-3	183690
958159	SDR-3X	KS-SDR-3X	
958132	SDR-4	KS-SDR-4	183620

\*Included in parts kit.



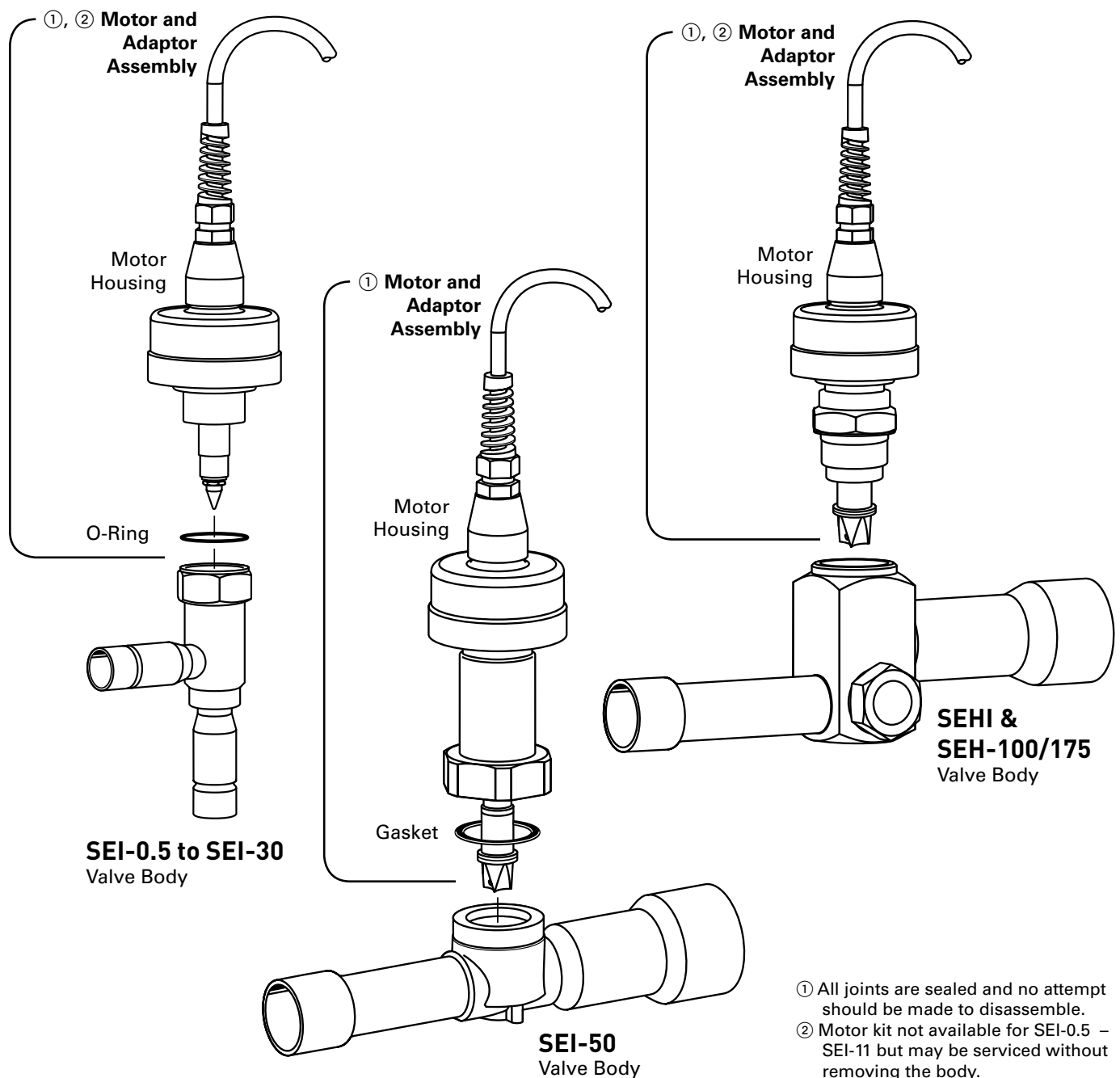
① All joints are sealed and no attempt should be made to disassemble.

# Electronic Temperature Control Systems SEI, SEH and SEHI Series

SEI, SEH and SEHI PARTS KITS				
ITEM NUMBER	MODEL	MOTOR and ADAPTOR ASSEMBLY	O-RING or GASKET ITEM NUMBER*	SIGHTGLASS ITEM NUMBER
958146	SEI-30	KS-SEI-30	183690	None
958124	SEI-50	KS-SEI-50	183620	
958125	SEH-100, SEH-175	KS-SEH-100/175	None	780043
958125	SEHI-100, SEHI-175	KS-SEH-100/175		

\*Included in parts kit.

All motor kits are supplied with a 24 inch lead wire with waterproof butt splice connections.



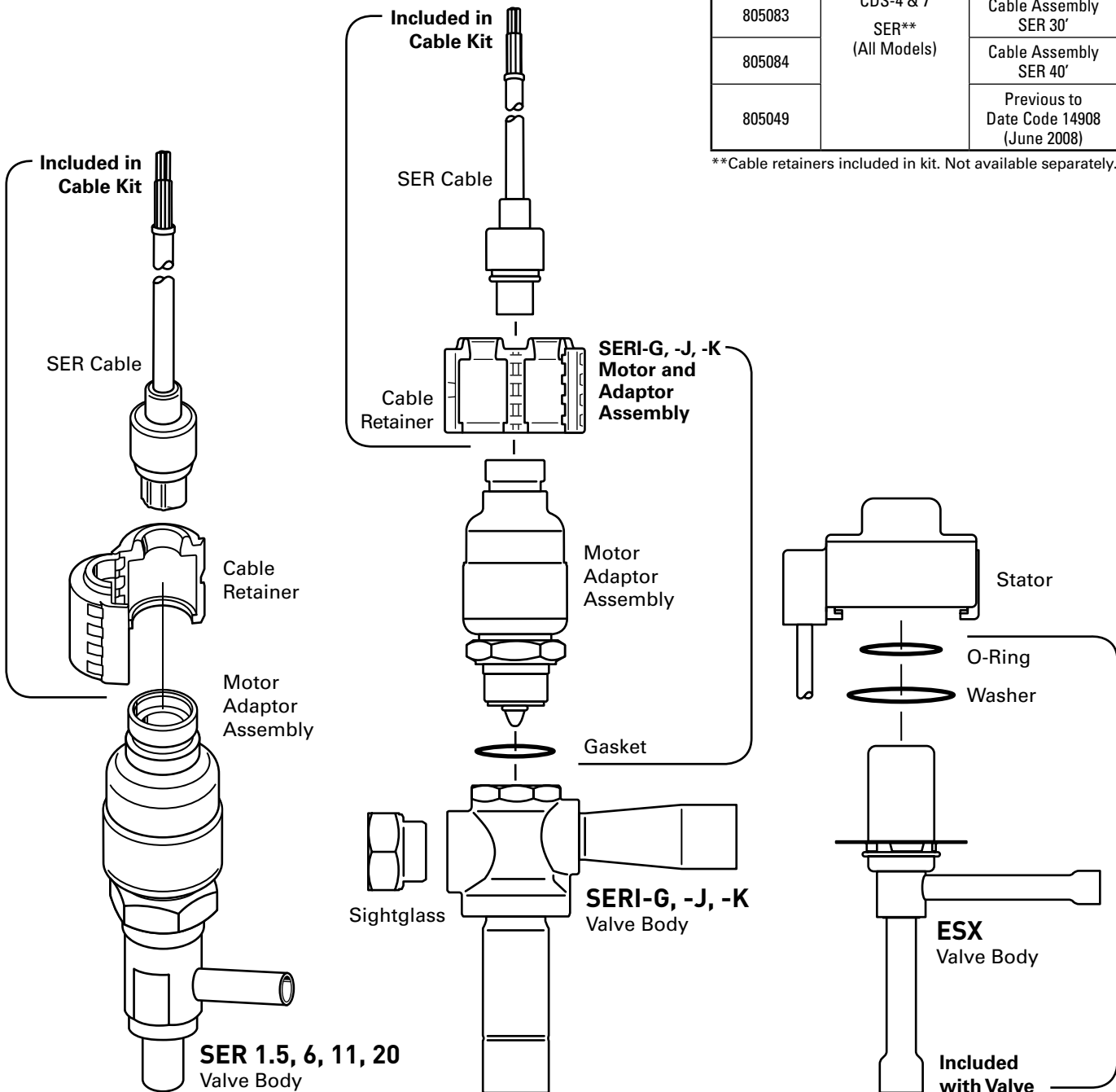
# Electronic Temperature Control Systems SER, SERI and ESX Series

SER(I) PARTS KITS				
ITEM NUMBER	MODEL	MOTOR and ADAPTOR ASSEMBLY	O-RING or GASKET ITEM NUMBER*	SIGHTGLASS ITEM NUMBER
—	SER 1.5, 6, 11, 20		Not Available	
958184	SERI-G	KS-SERI-G	380100	780043
958185	SERI-J	KS-SERI-J		
958186	SERI-K	KS-SERI-K		

\*Included in parts kit.

CABLE KIT REPLACEMENT PARTS		
ITEM NUMBER	MODEL	CABLE KIT
952526	ESX-5 (5 ft. Cable)	ESS-1U 60" Stripped
952527	ESX-10 (10 ft. Cable)	ESS-2U 120" Stripped
805081	CDS-4 & 7 SER** (All Models)	Cable Assembly SER 10'
805082		Cable Assembly SER 20'
805083		Cable Assembly SER 30'
805084		Cable Assembly SER 40'
805049		Previous to Date Code 14908 (June 2008)

\*\*Cable retainers included in kit. Not available separately.



# Electronic Controllers Reference

## Chiller Controller (2 Valve Superheat Control)

Small SEI, SER		SEI-30	SEI-50, SEH		
R22	p/n 952854	R22	p/n 952849	R22	p/n 952730
R134a	p/n 952855	R134a	p/n 952850	R134a	p/n 952731
R404A	p/n 952857	R404A	p/n 952852	R404A	p/n 952733
R407C	p/n 952856	R407C	p/n 952851	R407C	p/n 952732

## Superheat Controller (1 Valve only)

Small SEI, SER		SEI-30	SEI-50, SEH		
R22	p/n 952754	R22	p/n 952859	R22	p/n 952734
R134a	p/n 952755	R134a	p/n 952860	R134a	p/n 952735
R404A	p/n 952757	R404A	p/n 952862	R404A	p/n 952737
R407C	p/n 952756	R407C	p/n 952861	R407C	p/n 952736

## Pressure Controller

<b>SDR-3</b>	p/n 952759
<b>SDR-4</b>	p/n 952760
<b>CDS-9</b>	p/n 952761
<b>CDS-16</b>	p/n 952762
<b>CDS-17</b>	p/n 952762

## Subcool-O-Matic

Small SEI, SER	
R22	p/n 952973
R134a	p/n 952974
R404A	p/n 952972
R507	p/n 952971

## Sensors

Pressure Transducer	p/n 952740
Surface Sensor	p/n 952662
Well Sensor Kit	p/n 952795

## Chiller Low Temperature (And Vacuum Applications)

R22	p/n 952824
Absolute Pressure Transducer	p/n 952739



SMA-12 Valve Test Tool p/n 958737



Remote Panel Display p/n 958737

## Refrigeration Control System (RCS board)

Controller Board Only	p/n 953161
iCold Assembly	p/n 953170
Pressure Transducer	p/n 953091
Temperature Sensor	
push button	p/n 952551
optical encoder	p/n 952662

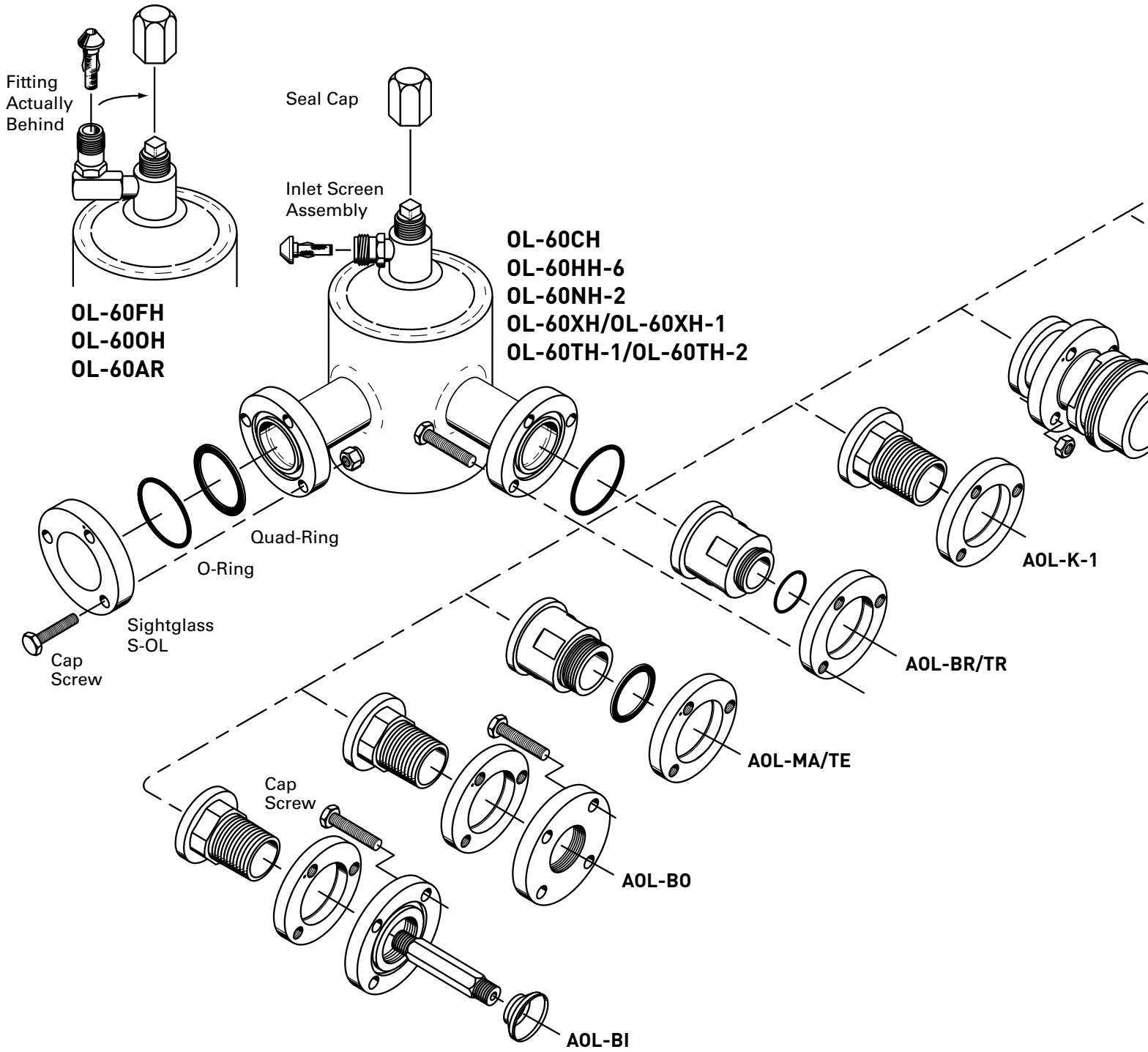


## Kelvin II Controller

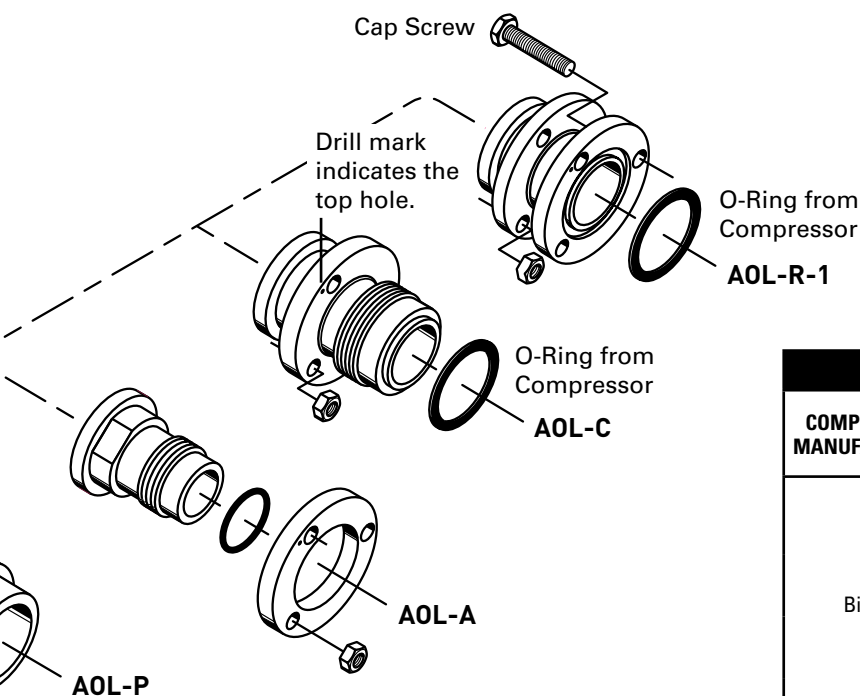
Controllers	
with local display	p/n 952561
no display	p/n 952560
remote display	p/n 952562
Pressure Transducers	
0-150 psig	p/n 953091
0-300 psig (410A only)	p/n 952740
Temperature Sensors	
Sensor	p/n 952662
Well Sensor Kit	p/n 952795



# Oil Level Control Systems Adaptor Kits



# Oil Level Control Systems Adaptor Kits



OIL LEVEL CONTROL REPLACEMENT PARTS		
ITEM NUMBER	PART NUMBER and DESCRIPTION	
968019	621-125	O-Ring 1-5/16 ID
183888	1053-000	Seal Cap
968003	JP-1222-000	Quad Ring 1-5/16 ID
183190	JP-1218-000	Sightglass Cap Screw 1/4 - 20 x 3/4
183192	JP-1218-001	Cap Screw 1/4 - 20 x 1
183194	JP-1218-002	Cap Screw 1/4 - 20 x 1-1/4 Fits AOL-P, AOL-A, AOL-C and AOL-R-1 Adaptors
183118	3952-000	Cap Screw 1/4 - 20 x 2 Fits AOL-BI, AOL-BO, AOL-MA/TE, AOL-BR/TR and AOL-K-1 Adaptors
968006	JP-1215-000	Inlet Screen Assembly
968013	S-OL Kit	(1) JP-0726-000 Sightglass (1) JP-1222-000 Quad Ring (1) 621-125 O-Ring (3) JP-1218-001 1/4 - 20 x 1 Cap Screws (3) JP-1223-000 1/4 - 20 Locknuts
968020	K-OL-Kit	(1) JP-1222-000 Quad Ring (1) 621-125 O-Ring (3) JP-1218-001 1/4 - 20 x 1 Cap Screws (3) JP-1223-000 1/4 - 20 Locknuts

OIL RESERVOIR REPLACEMENT PARTS		
ITEM NUMBER	PART NUMBER and DESCRIPTION	
380105	14000-8	OR 1-1/2 Reservoir Sightglass Gasket (Reservoir Obsolete)
780000	AC-20-K27	Sightglass for ORI-1/2 Oil Reservoir
033028-00	—	POR Sightglass
053683-00	—	O-Ring for POR Sightglass
059577-00	—	POR Oil Reservoir Kit

Refer to Bulletin 110-11 for Adaptor Kit contents.

ADAPTOR KITS				
COMPRESSOR MANUFACTURER	COMPRESSOR MODEL NUMBER	COMPRESSOR ATTACHMENT PATTERN	ITEM NUMBER	SPORLAN ADAPTOR KIT NUMBER*
Bitzer	2KC, 2JC, 2HC, 2GC, 2FC, 2EC, 2DC, 2CC, 4FC, 4EC, 4DC, 4CC	1-1/8" Thread	968026	<b>AOL-MA/TE</b> ②
	4VC, 4TC, 4PC, 4NC	3 Bolt, 1-7/8" B.C. (47.6mm B.C.)	—	<b>NONE</b> ①
	4J, 4H, 4G, 6J, 6H, 6G, 6F	4 Bolt, 50mm B.C.	—	<b>NONE</b> ①
	8GC, 8FC	3 Bolt, 1-7/8" B.C. (47.6mm B.C.)	968023	<b>AOL-R-1</b> ①
Bock	HA3-5, HG3-5, AM/F2-5, HA8, HG6	4 Bolt, 50mm B.C.	968027	<b>AOL-BO</b> ②
	F...	3 Bolt, 1-7/8" B.C. (47.6mm B.C.)	968023	<b>AOL-R-1</b> ①
Bristol	—	15/16" - 20 Thread	968025	<b>AOL-BR/TR</b> ②
Carrier	06EA, 06ER	3 Bolt, 1-7/8" B.C. (47.6mm B.C.)	968023	<b>AOL-R-1</b> ①
	06DA, 06DR, 5F, 5H	1-1/2" - 18 Thread	968009	<b>AOL-C</b> ②
Copeland	Over 5 Ton	3 Bolt, 1-7/8" B.C. (47.6mm B.C.)	968023	<b>AOL-R-1</b> ①
	Under 5 HP	1-1/8" - 12 Thread	968007	<b>AOL-A</b> ②
	8R, 3D Front, 2D, 4D, 6D, 8D	3 Bolt, 1-7/8" (47.6mm) B.C.	968023	<b>AOL-R-1</b> ①
Dorin	4 cyl-15 HP	3 Bolt, 1-7/8" (47.6mm) B.C.	Contact Sporlan	
Dunham-Bush	Big 4	3 Bolt, 1-7/8" (47.6mm) B.C.	968023	<b>AOL-R-1</b> ①
Frascold	All models	3 Bolt, 1-7/8" (47.6mm) B.C.		
Maneurop	MT., LT.,	1-1/8" - 18 Thread	968026	<b>AOL-MA/TE</b> ②
Prestcold	E, C	42 MM Thread	<b>AOL-P</b> ②	
Tecumseh	P, R, S, PA, RA, SA, CK, CM, CH, CG	1-1/8" 12 Thread	968007	<b>AOL-A</b> ②
	—	1-1/8" - 18 Thread	968026	<b>AOL-MA/TE</b> ②
Trane	M, R	3 Bolt, 1-7/8" (47.6mm) B.C.	968023	<b>AOL-R-1</b> ①
	K	3/4" NPT	968024	<b>AOL-K-1</b> ②
	—	15/16" - 20 Thread	968025	<b>AOL-BR/TR</b> ②
York	GC, GS, JS	3 Bolt, 1-7/8" (47.6mm) B.C.	968023	<b>AOL-R-1</b> ①

\***BOLD** items use the sealing method provided.

*ITALIC* items use Teflon tape as the sealing method.

**BOLD ITALIC** items use the seal from the compressor as the sealing method.

① Use sightglass from compressor.

② Use sightglass provided with adaptor.



## Oil Level Control Systems

# Oil Filters

OIL FILTER REPLACEMENT PARTS			
ITEM NUMBER	PART NUMBER and DESCRIPTION		USED ON
481300	JP-711-000	Bolt 5/16" x 1-1/2" (6 required)	ROF-413-T Oil Filter
481202	JP-344-001	Endplate	
481103	1288-005	Gasket, Endplate	
481322	JP-710-000	Nut 5/16" (6 Required)	
183174	Access Valve Kit (1/4" SAE x 1/4" NPT) Valve Core (P/N: 480088) can be purchased separately.		
960015	OFE-1	Oil Filter Element with Gasket	

## Moisture and Liquid Indicators

# See-All® Series



Replacement Indicator Paper--Sporlan Kit K-SA-4 consisting of a new slotted cylinder and indicator paper assembly is available for replacing the indicator in the fused glass style Sporlan See-Alls (1/4" thru 1-1/8" sizes) manufactured since 1984. Replacement is through the bottom. If the indicator becomes damaged, it is generally recommended that the entire See-All be replaced. However, the parts kit can be used in situations where it is difficult to remove the See-All.



SA-217



AC-20

Types SA-211, 213 and 217 features a **removable cartridge** containing the moisture indicating element. The cartridge has a knife edge joint and is available as a separate unit for field replacement purposes if necessary. It is designated as AC-20 and fits all three sizes.

# Strainers

<b>STRAINER REPLACEMENT PARTS</b>				
<b>STRAINER TYPE</b>	<b>GASKET</b>		<b>STRAINER SCREEN**</b>	
	<b>ITEM NUMBER</b>	<b>PART NUMBER</b>	<b>ITEM NUMBER</b>	<b>PART NUMBER</b>
XD-074*	183835	609	580042	635-3
8004*	183855	4160	580045	4097-3
8006*				
9008*	183840	4111	580048	4110-3
9010*				
9012*	183845	4119	580051	4117-4
6022, 6023	Not Required		580006	4385-2
6034			580009	4395-2
6056			580012	4405-1
6088			580013	4415-1

\* Strainers and their replacement parts available through Parker R/S Division.

\*\* All replacement screens are supplied with gasket, if applicable.

## Old to New Part Numbers

## Sporlan Alpha-Numeric Parts List

Sporlan has changed to a new part numbering system for the parts of some product groups. The following tables only include those items that have had a part number change. The table on this Page is sorted in alpha-numeric order on the old part number. Page 67 is a table of the same parts only sorted on the new part number.

OLD PART NUMBER	NEW PART NUMBER	DESCRIPTION	OLD PART NUMBER	NEW PART NUMBER	DESCRIPTION	OLD PART NUMBER	NEW PART NUMBER	DESCRIPTION
105-40-1	144-000	Conduit Hub for LMC	1542	1542-000	Screen, Inlet 1/4 SAE	6171-4	JP-514-005	Screen, Outlet 100 Mesh
105-44	148-000	Male Pipe Adaptor	1543	1543-000	Screen, Inlet 3/8 SAE	6172-1	JP-513-005	Screen, Outlet 10 Mesh
105-45	149-000	Spacer for LMC	1543-2	1543-002	Screen, Inlet 1/4 ODF	621-14	621-014	Gasket, Encl Tube
106-A	106-000	Gasket, Element	208-1	208-001	Discharge Tube (D-1/32)	621-16	621-016	
106-F	123-001		208-10	208-003	Discharge Tube (D-7/64)	621-18	621-018	
108-20	108-000	Discharge Tube (A-1/8)	208-15	208-004	Discharge Tube (D-5/32)	621-19	621-019	
108-30	108-001	Discharge Tube (A-5/32)	208-2	208-002	Discharge Tube (D-1/16)	621-22	621-022	
108-50	108-002	Discharge Tube (A-3/16)	208-5	208-000	Discharge Tube (D-5/64)	621-28	621-028	O-Ring For SORIT/CDA
112-A-1	356-000	Spring, Inner M/V/A	212-A	212-000	Spring	621-31	621-031	
114-A	106-001	Gasket, Bottom Cap	212-F	558-000		621-8	621-008	Gasket
114-F	123-002	Gasket, Bottom/Bushing	212-M	559-000		712	712-000	Spring, Outer V
115-A	106-002	Gasket, Element	212-S	560-000		717-C	958-000	Bottom Cap Locknut (W)
1176	1176-000	Adaptor	212-V	561-000		720	720-000	Seal Cap
1177	1177-000		220-A	220-000	728	728-000	Pushrod Pckg Nut (1)	
1178	1178-000		220-A-1	220-001	729	729-000	Pushrod Pckg Gland (1)	
1179	1179-000		225-F-1/4"	573-000	735-A	735-000	Screen, Inlet Flange	
117-C	358-000	Bottom Cap Locknut (M/V)	225-F-23	574-000	735-B	961-000	Retainer Ring, Screen	
122-1	122-000	Screen, Inlet Flange	225-F-24	574-001	736	736-000	Pushrod Pckg Nut (1)	
123-A	106-003	Gasket, Flange	225-F-25	574-002	737	737-000	Pushrod Pckg Gland (1)	
123-F	123-000		225-F-26	574-003	738	738-000	Spring	
124-A	124-000	Ring, Inlet Strainer	225-F-27	574-004	740	123-005	Gasket, Bottom Cap	
125-0	377-000	Flange, Socket Weld	225-F-29	575-000	741	123-004	Gasket, Flange	
125-F-11F	368-001	Bushing, 1-3/8" ODF	225-F-3/8"	573-001	742-1-1/8"	742-000	Flange, Solder	
125-F-13F	370-000	Bushing, 1-5/8" ODF	225-G	576-000	742-1-3/8"	742-001		
125-F-1"	362-000	FPT Flange	225-H	577-000	742-1-5/8"	742-002		
125-F-1-1/8"	361-001	Flange, Solder	225-K	578-000	742-2-1/8"	742-003		
125-F-1-3/8"	363-000		225-L	579-000	825-11	825-011	40 Mesh Strainer	
125-F-1-5/8"	364-000	225-M	580-000	825-4	825-004			
125-F-1/2"	360-000	FPT Flange	225-M-1/2"	225-002	825-5	825-005		
125-F-3/4"	360-001		225-M-1/4"	225-000	825-7	825-007		
125-F-7F	367-001	Bushing, 7/8" ODF	225-M-3/8"	225-001	825-9	825-009		
125-F-7/8	361-000	Flange, Solder	226-K	226-000	838	838-000	CRO-6/ORI-6 Caps	
125-F-9F	368-000	Bushing, 1-1/8" ODF	319-A	106-005	877-11	877-011	100 Mesh Strainer	
125-L-7	372-000	Flange, Angle Solder	327-D	588-000	877-3	877-003		
125-L-9	373-000		327-E	589-000	877-4	877-004		
125-M-1"	375-000	FPT Flange	327-G	590-000	877-5	877-005		
125-M-1/2"	374-000		412-HV	698-000	877-7	877-007		
125-M-3/4"	374-001		412-MF	694-000	877-9	877-009		
125-N	376-000	Flange, Socket Weld	412-MFL	696-000	JP-1023	JP-1023-000	S/A Dust Cvr, 1/2 Up	
128	128-000	Pushrod Packing Nut	412-S	692-000	JP-1066	JP-1066-000	Color Tag (SAK-16)	
128-A	128-001	Pushrod Pckg Nut (1)	412-SL	695-000	JP-1067	JP-1067-000	Color Tag (SAK-13)	
129-A	129-000	Pushrod Pckg Gland (1)	412-V	697-000	JP-1072-1	JP-1072-001	Saddle Adaptor, 1-3/8	
139	139-000	Capscrew, Element (A)	4163-9	JP-711-000	JP-1072-2	JP-1072-002	Saddle Adaptor, 1-5/8	
1412-DG	1412-000	Spring	420-B	420-000	JP-1072-3	JP-1072-003	Saddle Adaptor, 2-1/8	
1412-FG	1031-000		472-D	770-000	JP-1099	JP-1099-000	S/A Dust Cvr, 1/4 & 3/8	
1412-VG	1030-000		427-F	772-000	JP-232	JP-232-000	Adaptor, Cap Tube	
1412-VG-1	1284-000		6153-2	1288-005	JP-543-1	JP-543-001	Gasket, Copper 3/8 SAE	
1412-VG-2	1285-000		6154	JP-335-001	JP-543-2	JP-543-002	Gasket, Copper 1/2 SAE	
1456	1456-000	Screen, Inlet 1/2 SAE	6154-2	JP-335-000	JP-534-3	JP-543-003	Gasket, Copper 5/8 SAE	
1524	1524-000	Screen, Inlet 3/8 ODF	6155-2	JP-571-000	JP-543-4	JP-543-004	SPL Gskt, Copper 1/4	
1532-1	1532-000	Spring	6162	JP-679-000	JP-543-5	JP-543-005	SPL Gskt, Copper 3/8	
1538	1538-000	Screen, Inlet 3/8 SAE	6163	JP-676-000	JP-543-6	JP-543-006	SPL Gskt, Copper 1/2	
15477-1	173-000	Strainer						
641-6	2645-000	Gasket						


## New to Old Part Numbers

## Sporlan Alpha-Numeric Parts List

NEW PART NUMBER	OLD PART NUMBER	DESCRIPTION	NEW PART NUMBER	OLD PART NUMBER	DESCRIPTION	NEW PART NUMBER	OLD PART NUMBER	DESCRIPTION	
1030-000	1412-VG	Spring	358-000	117-C	Bottom Cap Locknut (M/V)	697-000	412-V	Spring	
1031-000	1412-FG		360-000	125-F-1/2"	FPT Flange	698-000	412-HV	Spring, Outer V	
106-000	106-A	Gasket, Element	360-001	125-F-3/4"		Flange, Solder	712-000	712	Spring, Outer V
106-001	114-A	Gasket, Bottom Cap	361-000	125-F-7/8"	720-000		720	Seal Cap	
106-002	115-A	Gasket, Element	361-001	125-F-1-1/8"	FPT Flange	728-000	728	Pushrod Pckg Nut (1)	
106-003	123-A	Gasket, Flange	362-000	125-F-1"	Flange, Solder	729-000	729	Pushrod Pckg Gland (1)	
106-005	319-A	Gasket, Seat Cap	363-000	125-F-1-3/8"	FPT Flange	735-000	735-A	Screen, Inlet Flange	
108-000	108-20	Discharge Tube (A-1/8)	364-000	125-F-1-5/8"	Flange, Solder	736-000	736	Pushrod Pckg Nut (1)	
108-001	108-30	Discharge Tube (A-5/32)	367-001	125-F-7F	Bushing, 7/8" ODF	737-000	737	Pushrod Pckg Gland (1)	
108-002	108-50	Discharge Tube (A-3/16)	368-000	125-F-9F	Bushing, 1-1/8" ODF	738-000	738	Spring	
1176-000	1176	Adaptor	368-001	125-F-11F	Bushing, 1-3/8" ODF	742-000	742-1-1/8"	Flange, Solder	
1177-000	1177		370-000	125-F-13F	Bushing, 1-5/8" ODF	742-001	742-1-3/8"		
1178-000	1178		372-000	125-L-7	Flange, Angle Solder	742-002	742-1-5/8"		
1179-000	1179		373-000	125-L-9		742-003	742-2-1/8"		
122-000	122-1		Screen, Inlet Flange	374-000	125-M-1/2"	FPT Flange	772-000		427-F
123-000	123-F	Gasket, Flange	374-001	125-M-3/4"	825-004		825-4	40 Mesh Strainer	
123-001	106-F	Gasket, Element	375-000	125-M-1"	Flange, Socket Weld	825-005	825-5		
123-002	114-F	Gasket, Bottom/Bushing	376-000	125-N		825-007	825-7		
123-004	741	Gasket, Flange	377-000	125-O	825-009	825-9			
123-005	740	Gasket, Bottom Cap	420-000	420-B	825-011	825-11			
124-000	124-A	Ring, Inlet Strainer	558-000	212-F	Spring	838-000	838	CRO-6/ORI-6 Caps	
1284-000	1412-VG-1	Spring	559-000	212-M		FPT Flange	877-003	877-3	100 Mesh Strainer
1285-000	1412-VG-2		560-000	212-S			877-004	877-4	
1288-005	6153-2	Gasket, Endplate	561-000	212-V	877-005	877-5			
128-000	128	Pushrod Packing Nut	573-000	225-F-1/4"	877-007	877-7			
128-001	128-A	Pushrod Pckg Nut (1)	573-001	225-F-3/8"	877-009	877-9			
128-002	128-B	Pushrod Pckg Nut (1)	574-000	225-F-23	877-011	877-11			
129-000	129-A	Pushrod Pckg Gland (1)	574-001	225-F-24	958-000	717-C	Bottom Cap Locknut (W)		
139-000	139	Capscrew, Element (A)	574-002	225-F-25	961-000	735-B	Retainer Ring, Screen		
1412-000	1412-DG	Spring	574-003	225-F-26	JP-1023-000	JP-1023	S/A Dust Cvr, 1/2 Up		
144-000	105-40-1	Conduit Hub for LMC	574-004	225-F-27	JP-1066-000	JP-1066	Color Tag (SAK-16)		
1456-000	1456	Screen, Inlet 1/2 SAE	574-005	225-F-28	JP-1067-000	JP-1067	Color Tag (SAK-13)		
148-000	105-44	Male Pipe Adaptor	575-000	225-F-29	JP-1072-001	JP-1072-1	Saddle Adaptor, 1-3/8		
149-000	105-45	Spacer for LMC	576-000	225-G	JP-1072-002	JP-1072-2	Saddle Adaptor, 1-5/8		
1524-000	1524	Screen, Inlet 3/8 ODF	577-000	225-H	JP-1072-003	JP-1072-3	Saddle Adaptor, 2-1/8		
1532-000	1532-1	Spring	578-000	225-K	JP-1099-000	JP-1099	S/A Dust Cvr, 1/4 & 3/8		
1538-000	1538	Screen, Inlet 3/8 SAE	579-000	225-L	JP-232-000	JP-232	Adaptor, Cap Tube		
1542-000	1542	Screen, Inlet 1/4 SAE	580-000	225-M	JP-335-000	6154-2	Endplate "-G" Type		
1543-000	1543	Screen, Inlet 3/8 SAE	588-000	227-D	JP-335-001	6154	Endplate (Plain)		
1543-002	1543-2	Screen, Inlet 1/4 ODF	589-000	227-E	JP-513-005	6172-1	Screen Outlet 10 Mesh		
208-000	208-5	Discharge Tube (D-5/64)	590-000	227-G	JP-514-005	6171-4	Screen Outlet 100 Mesh		
208-001	208-1	Discharge Tube (D-1/32)	621-008	621-8	JP-543-001	JP-543-1	Gasket, Copper 3/8 SAE		
208-002	208-2	Discharge Tube (D-1/16)	621-014	621-14	JP-543-002	JP-543-2	Gasket, Copper 1/2 SAE		
208-003	208-10	Discharge Tube (D-7/64)	621-016	621-16	JP-543-003	JP-543-3	Gasket, Copper 5/8 SAE		
208-004	208-15	Discharge Tube (D-5/32)	621-018	621-18	JP-543-004	JP-543-4	SPL Gskt, Copper 1/4		
212-000	212-A	Spring	621-019	621-19	JP-543-005	JP-543-5	SPL Gskt, Copper 3/8		
220-000	220-A	Seal Cap	621-022	621-22	JP-543-006	JP-543-6	SPL Gskt, Copper 1/2		
220-001	220-A-1		621-028	621-28	0-Ring for SORIT/CDA	JP-571-000	6155-2	Gasket, Outlet Seal	
225-000	225-M-1/4"	FPT Flange	621-031	621-31	Spring	JP-676-000	6163	Plate, Outlet Core Ret	
225-001	225-M-3/8"		692-000	412-S		JP-679-000	6162	Plate, Core Retainer	
225-002	225-M-1/2"	694-000	412-MF	695-000	412-SL	JP-711-000	4163-9	Bolt/Nut, 5/16 x 1.5 Steel	
226-000	226-K	Screen, Inlet Flange	696-000	412-FML					
356-000	112-A-1	Spring, Inner M/V/A)							

***FOR USE ON REFRIGERATION and/or AIR CONDITIONING SYSTEMS ONLY***

Bulletin 122, November 2009 supersedes Bulletin 122, August 2001 and all prior publications.

Copyright 2009 by Parker Hannifin Corporation, Sporlan Division, Washington, Missouri 



Parker Hannifin Corporation  
**Sporlan Division**  
206 Lange Drive • Washington, MO 63090 USA  
phone 636 239 1111 • fax 636 239 9130  
[www.sporlan.com](http://www.sporlan.com)