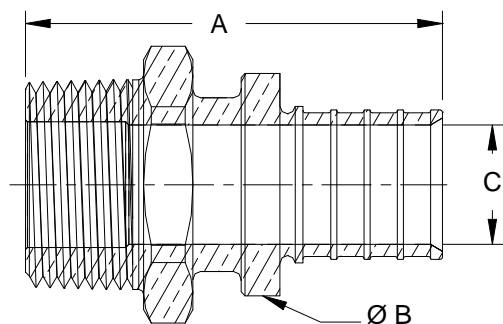


# PRODUCT SUBMITTAL 311

Product: **EVERLOC<sup>®</sup> Dual MPT/Copper Adapters**  
Date: **05-November-13 (supersedes 11-Nov-10)**



Article No.	Nominal Size	A in. (mm)	B in. (mm)	C in. (mm)
243537-101	3/8" EVERLOC x 1/2" MPT or 1/2" C Female (Sweat)	1.851 (47.0)	0.750 (19.0)	0.288 (7.3)
260237-101	1/2" EVERLOC x 1/2" MPT or 1/2" C Female (Sweat)	2.065 (52.4)	0.856 (21.7)	0.398 (10.1)
243647-101	5/8" EVERLOC x 1/2" MPT or 1/2" C Female (Sweat)	2.143 (54.4)	1.110 (28.2)	0.488 (12.4)
260327-101	3/4" EVERLOC x 3/4" MPT or 1/2" C Female (Sweat)	2.119 (53.8)	1.112 (28.2)	0.598 (15.2)
260597-101	3/4" EVERLOC x 1" MPT or 3/4" C Female (Sweat)	2.228 (56.6)	1.112 (28.2)	0.598 (15.2)
260437-101	1" EVERLOC x 1" MPT or 3/4" C Female (Sweat)	2.577 (65.5)	1.388 (35.2)	0.772 (19.6)
235557-101	1 1/4" EVERLOC x 1 1/4" MPT or 1" C Female (Sweat)	3.172 (80.6)	1.695 (43.0)	0.927 (23.5)
730053-001	1-1/4" EVERLOC x 1" MPT or 3/4" C Female (Sweat)	2.775 (70.5)	1.700 (43.2)	0.927 (23.5)
235757-101	1 1/2" EVERLOC x 1 1/2" MPT or 1 1/4 C Female (Sweat)	3.382 (86.0)	1.929 (49.0)	1.136 (28.8)
235957-101	2" EVERLOC x 2" MPT or 1 1/2" C Female (Sweat)	3.716 (94.4)	2.500 (63.5)	1.496 (38.0)

## TECHNICAL DESCRIPTION

Specification	ASTM F2080 / F877
Material	Machined from solid brass rod
Certifications	ASTM F877 / F2080 / NSF-rfh / CSA B137.5

## FUNCTIONAL DESCRIPTION

EVERLOC compression-sleeve fittings are ideal for heating, snow and ice melting and hydronic radiator connections when used with REHAU's RAUPEX<sup>®</sup> PEXa pipes. EVERLOC fittings and compression-sleeves ("sleeves") create reliable connections. Dual adapter fittings connect RAUPEX pipe to other threaded piping systems (first size) or copper pipe (second size). Make threaded or solder connection before connecting to RAUPEX pipe. RAUPEX pipe installation is performed with EVERLOC tools. Follow all published installation instructions. Order EVERLOC sleeves separately.

REHAU recommends that threaded adapters should be accessible for periodic inspection. EVERLOC fittings are not approved for potable water applications.

For updates to this publication, visit [na.rehau.com/resourcecenter](http://na.rehau.com/resourcecenter)

The information contained herein is believed to be reliable, but no representations, guarantees or warranties of any kind are made as to its accuracy, suitability for particular applications or the results to be obtained therefrom. Before using, the user will determine suitability of the information for user's intended use and shall assume all risk and liability in connection therewith.

© 2013 REHAU