



Hart & Cooley[®]
install confidence

Residential Grilles, Registers & Diffusers

Edition 5

See
Inside
Front
Cover For
What's New...

RESIDENTIAL

Product Information Engineering Data

CEILING DIFFUSERS

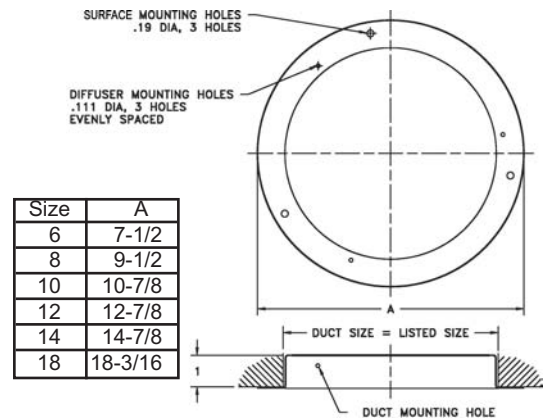
11	Steel Duct Ring	.27	
12	Steel Butterfly Damper with Ring	.27	
16	Steel Round (Ceiling) Diffuser	.27	.49
24	Steel Square (Ceiling) Diffuser	.28	.49
21	Steel Square Mounting Frame	.28	
22	Steel Butterfly Damper with Mounting Frame	.28	
23	Steel Opposed Blade Damper	.29	
A501	Aluminum Square Diffuser One-Way, MS/OB	.29	.50
A502	Aluminum Square Diffuser Two-Way, MS/OB	.29	.50
A503	Aluminum Square Diffuser Three-Way, MS/OB	.30	.50
A504	Aluminum Square Diffuser Four-Way, MS/OB	.30	.50
A505	Aluminum Square Diffuser Four-Way Corner, MS/OB	.30	.50
SD/SDD	Aluminum Square Step-Down Diffuser	.31	.52
ECFM	Evaporative Cooler Aluminum Diffuser	.31	.52
RZ500	Rezzin™ Plastic Square Ceiling Diffuser	.32	.51
RZ16	Rezzin™ Plastic Round Ceiling Diffuser	.32	.51
ECBX	Steel Box Diffuser	.33	.52
ECSD/ECSD	Steel Step-Down Diffuser	.33	.52
ECHVD	Evaporative Cooler Diffuser	.33	.52



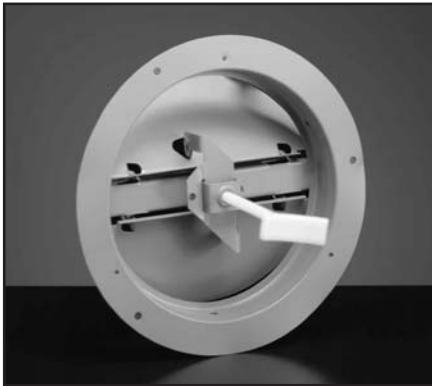
11 Duct Ring

- All-steel construction
- For installation of #16 diffuser when not using a damper
- Golden Sand enamel finish

11 Available Sizes (in.)	
6, 8, 10, 12, 14, 18	



Size	A
6	7-1/2
8	9-1/2
10	10-7/8
12	12-7/8
14	14-7/8
18	18-3/16



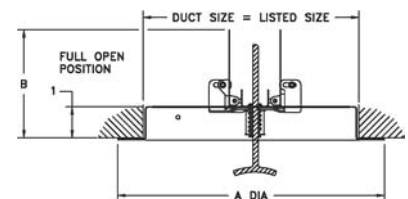
12 Butterfly Damper

- All-steel construction
- Controls air volume evenly over entire #16 diffuser
- Removable knob operator for adjustment from closed to fully open
- Golden Sand enamel finish

12 Available Sizes (in.)		
Size	A	B
6	7 ¹ / ₂	3 ¹¹ / ₁₆
8	9 ¹ / ₂	4 ¹¹ / ₁₆
10	10 ⁷ / ₈	5 ¹¹ / ₁₆
12	12 ⁷ / ₈	6 ¹¹ / ₁₆
14	14 ⁷ / ₈	7 ¹¹ / ₁₆
18	18 ³ / ₁₆	9 ¹¹ / ₁₆

Note: Knob permits diffuser to be held in position while attaching face screws.

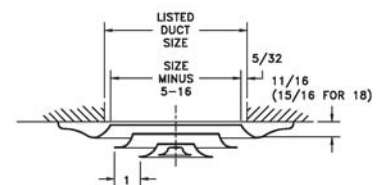
Only available in sizes shown



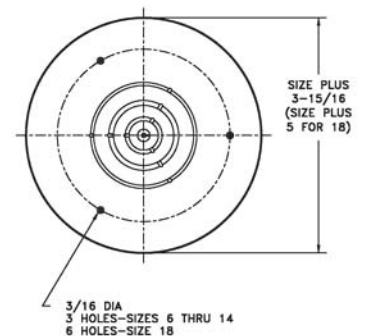
16 Ceiling Diffuser

- All-steel construction
- Step-down diffuser rings deflect air stream 360 degrees
- Bright White finish

16 Available Sizes (in.)	
6, 8, 10, 12, 14, 18	



Only available in sizes shown

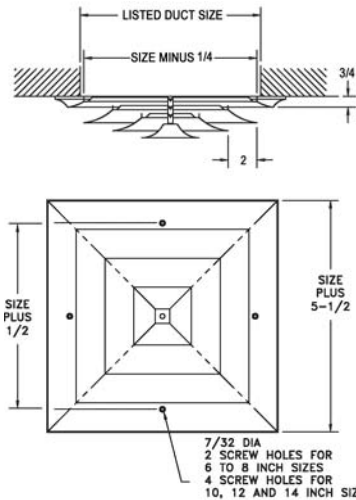




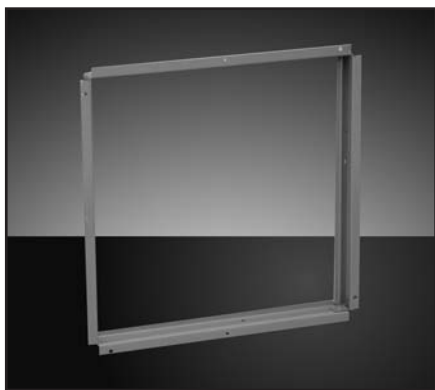
24 Square Ceiling Diffuser

- All-steel construction
- Step-down face deflects air stream 360 degrees
- Bright White finish

Only available in sizes shown.



24 Ceiling Diffuser (in.)		
Size	Free Area Sq. Inches	No. of Cones
6	41	3
8	65	3
10	84	3
12	123	4
14	152	4
16	199	5
18	236	5
20	293	6
22	338	6
24	404	7



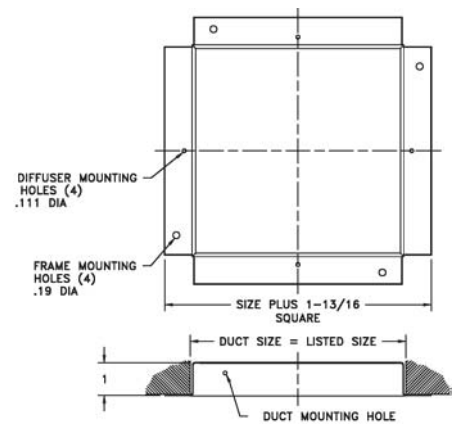
21 Installation Frame

- All-steel construction
- Golden Sand enamel finish
- Used but not furnished with #24 ceiling diffusers.

Not required when using 22 Butterfly Damper or 23 Opposed Blade Damper.

Cannot be used with SD and SDD.

21 Available Sizes (in.)	
6, 8, 10, 12, 14, 16, 18, 20, 22, 24	

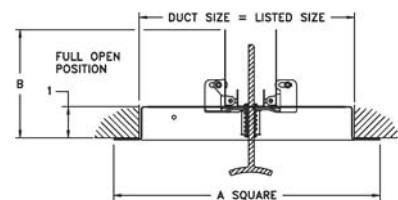


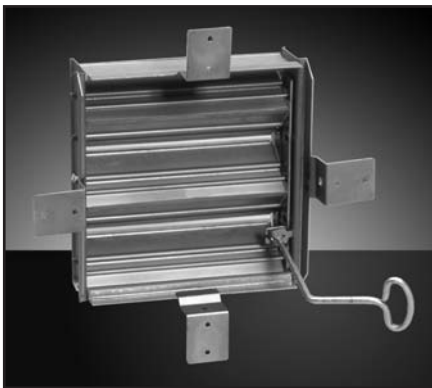
22 Butterfly Damper

- All-steel construction
- Used with #24 Ceiling Diffuser
- Knob control for quick adjustment (removable)
- Installation flange included
- Golden Sand enamel finish

Only available in sizes shown.

22 Available Sizes (in.)		
Size	A	B
6	6 ³ / ₁₆	3 ¹¹ / ₁₆
8	8 ³ / ₁₆	4 ¹¹ / ₁₆
10	10 ³ / ₁₆	5 ¹¹ / ₁₆
12	12 ³ / ₁₆	6 ¹¹ / ₁₆
14	14 ³ / ₁₆	7 ¹¹ / ₁₆

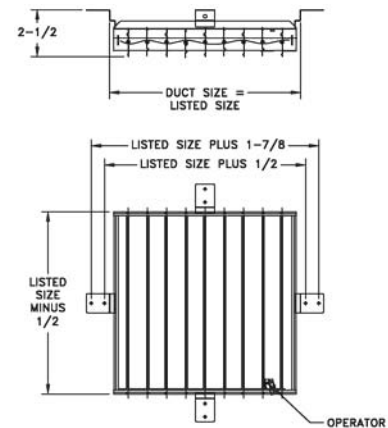




23 Opposed-Blade Damper

- All-steel construction
- Used with #24 Ceiling Diffuser
- Controls air volume over entire diffuser
- Key operated
- Mill finish

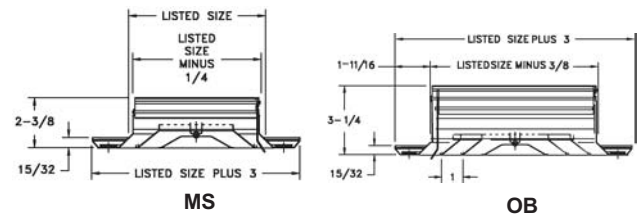
23 Available Sizes (in.)	
6, 8, 10, 12, 14, 16, 18, 20, 22, 24	



A501MS/A501OB Square Ceiling Diffuser

- Extruded aluminum construction
- Cores flush with margin
- One-way air diffusion
- Face mount for easy installation
- For sidewall or ceiling application
- Multi-shutter or opposed-blade dampers - aluminum
- Inconspicuous fingertip lever for air volume control
- Bright White finish

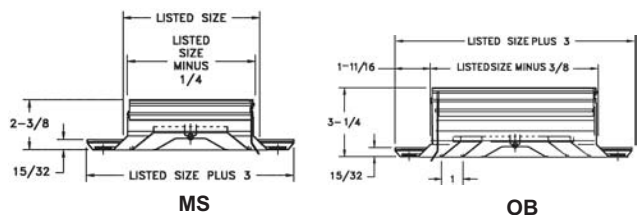
A501MS/A501OB (in.)					
HT	WIDTH				
	6	8	10	12	14
6	X				
8		X			
10			X		
12				X	
14					X



A502MS/A502OB Square Ceiling Diffuser

- Extruded aluminum construction
- Cores flush with margin
- Two-way air diffusion
- Face mount for easy installation
- For sidewall or ceiling application
- Multi-shutter or opposed-blade dampers - aluminum
- Inconspicuous fingertip lever for air volume control
- Bright White

A502MS/A502OB (in.)					
HT	WIDTH				
	6	8	10	12	14
6	X				
8		X			
10			X		
12				X	
14					X



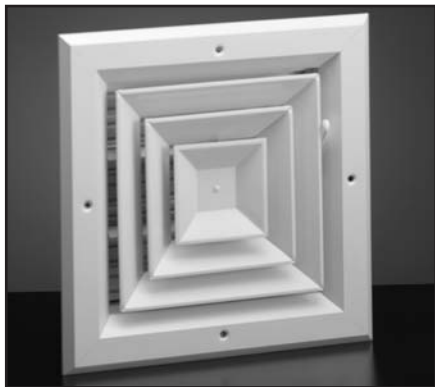
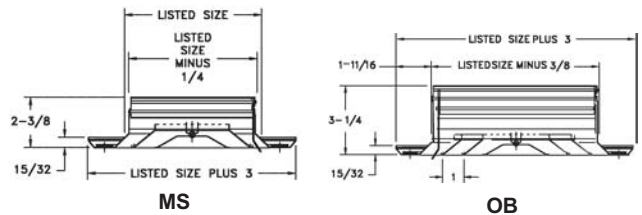
Ceiling Diffusers



A503MS/A503OB Square Ceiling Diffuser

- Extruded aluminum construction
- Cores flush with margin
- Three-way air diffusion
- Face mount for easy installation
- For sidewall or ceiling application
- Multi-shutter or opposed-blade dampers - aluminum
- Inconspicuous fingertip lever for air volume control
- Bright White finish

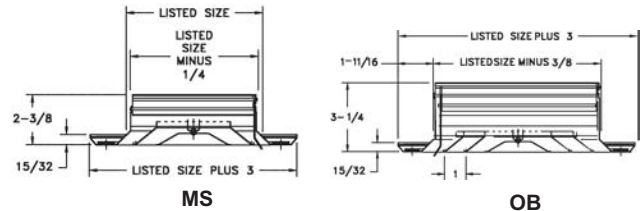
A503MS/A503OB (in.)					
HT	WIDTH				
	6	8	10	12	14
6	X				
8		X			
10			X		
12				X	
14					X



A504MS/A504OB Square Ceiling Diffuser

- Extruded aluminum construction
- Cores flush with margin
- Four-way air diffusion
- Face mount for easy installation
- For sidewall or ceiling application
- Multi-shutter or opposed-blade dampers - aluminum
- Inconspicuous fingertip lever for air volume control
- Bright White finish

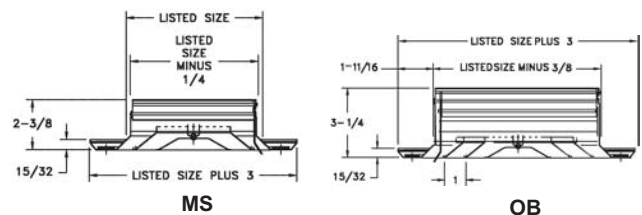
A504MS/A504OB (in.)					
HT	WIDTH				
	6	8	10	12	14
6	X				
8		X			
10			X		
12				X	
14					X



A505MS/A505OB Square Ceiling Diffuser

- Extruded aluminum construction
- Cores flush with margin
- Two-way corner air diffusion
- Face mount for easy installation
- For sidewall or ceiling application
- Multi-shutter or opposed-blade dampers - aluminum
- Inconspicuous fingertip lever for air volume control
- Bright White finish

A505MS/A505OB (in.)					
HT	WIDTH				
	6	8	10	12	14
6	X				
8		X			
10			X		
12				X	
14					X





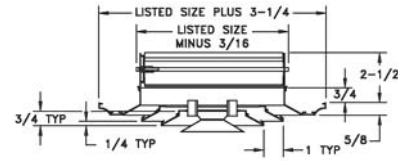
SD/SDD Diffuser

- Extruded aluminum construction
- Annular rings to provide minimum resistance
- Face only on SD
- Opposed-blade aluminum damper available with SDD
- Bright White finish

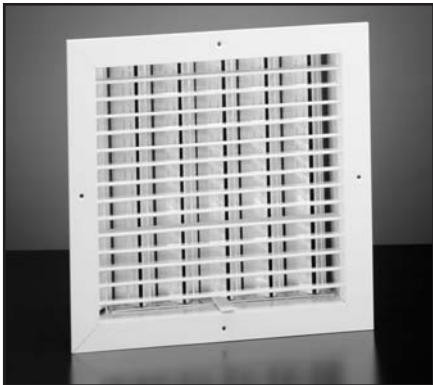
Only available in sizes shown

Note: SDD in size 20" x 20" is furnished with two separate dampers and operators.

SD/SDD Available Sizes (in.)								
HT	WIDTH							
	6	8	10	12	14	16	18	20
6	X							
8		X						
10			X					
12				X				
14					X			
16						X		
18							X	
20								X



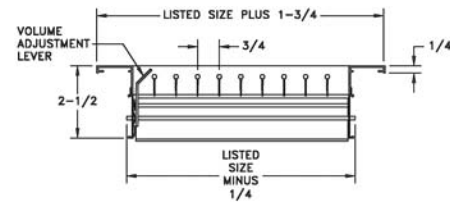
SDD

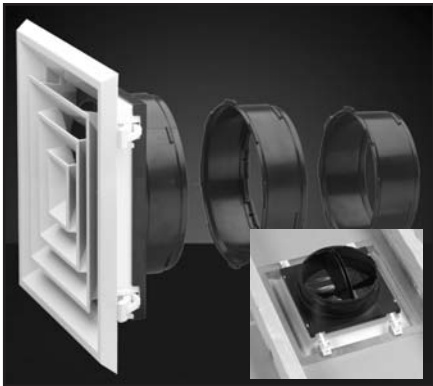


ECFM Aluminum Diffuser

- Integral opposed-blade damper with lever for face operation
- Center mullions provided on sizes over 18" x 18"
- All extruded aluminum construction
- Furnished with mounting screws and optional gasket
- Adjustable bars
- Bright White finish

ECFM Available Sizes (in.)
12x12, 14x14, 16x16, 18x18, 20x20, 22x22, 24x24



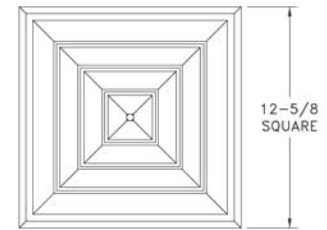
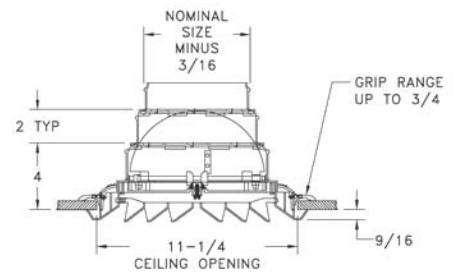


T-Bar Backer Plate or Rafter Rough-In Plate Available

RZ500 Plastic Square Ceiling Diffuser

- Engineered polymer construction
- 12"x12" face
- 6", 7" and 8" collars included
- Ratcheting cam lock—install without screws
- Removable core and integral damper
- Available in 4-way, 3-way and 2-way corner
- Bright White finish
- Contains metal parts

RZ500 Available Size (in.)
12 x 12



4-WAY



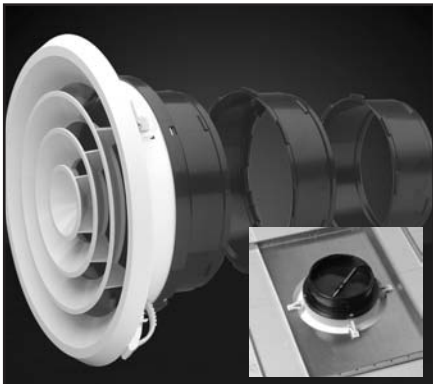
RZ503



RZ504



RZ505

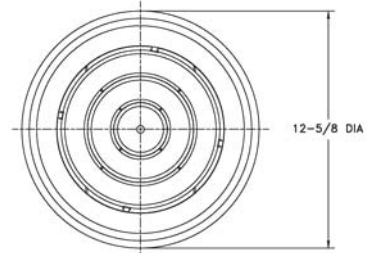
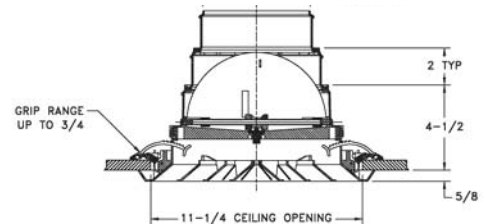


T-Bar Backer Plate or Rafter Rough-In Plate Available

RZ16 Plastic Round Ceiling Diffuser

- Engineered polymer construction
- 12" round face
- 6", 7" and 8" collars included
- Ratcheting cam lock—install without screws
- Removable core and integral damper
- Bright White finish
- Contains metal parts

RZ16 Available Size (in.)
12

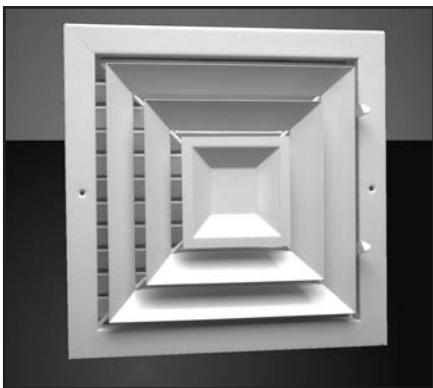
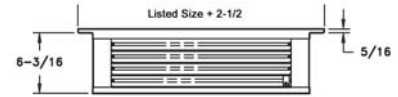




ECBX 4-way Ceiling Diffuser Box

ECBX Available Sizes (in.)
14x14, 18x18, 20x20, 22x22, 24x24, 30x30, 36x36

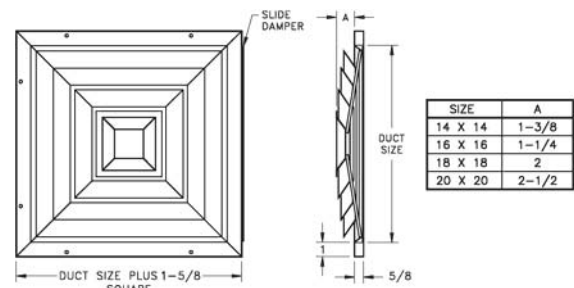
- Adjustable dampers provide directional airflow or closure capabilities
- Mounting holes provided for easy installation
- Heavy-duty steel construction
- For 24x24 T-Bar installation, order ECBX-T
- Bright White finish
- Available in T-Bar version, see page 102



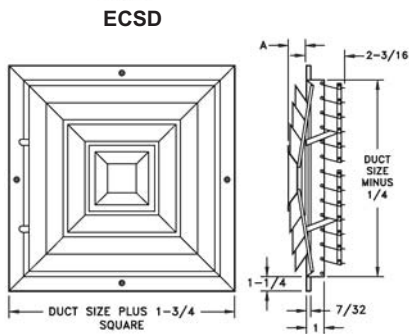
ECSD/ECSDD Diffuser

ECSD/ECSDD Available Sizes (in.)
14x14, 16x16, 18x18, 20x20

- Heavy-duty steel construction
- For evaporative coolers or central blower systems
- Step-down design louvers provide four-way air delivery
- Face only ECSD with slide in plate for off-season closure
- Multi-shutter damper on ECSDD
- Countersunk mounting holes for flush appearance with screws provided (ECSDD only)
- Bright White finish



SIZE	A
14 X 14	1-3/8
16 X 16	1-1/4
18 X 18	2
20 X 20	2-1/2



ECHVD Evaporative Cooler Diffuser

ECHVD Available Sizes (in.)
6x6, 8x8, 10x10, 12x12, 14x14, 16x16, 18x18, 20x20, 22x22, 24x24

- Heavy-duty steel construction
- Durable finish for high quality appearance and corrosion resistance
- Two-way deflection
- Bright White finish

