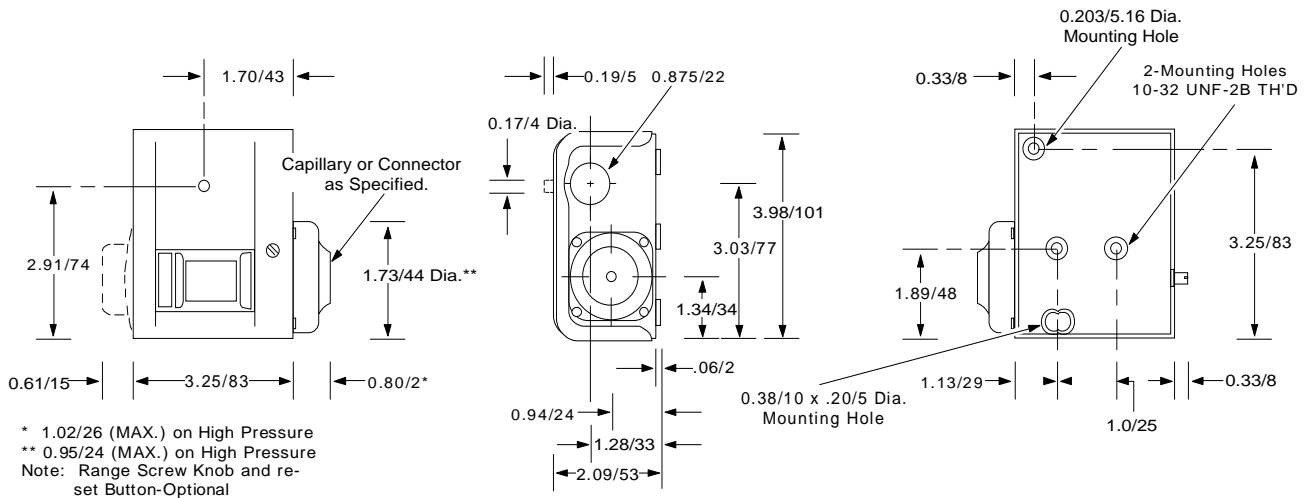
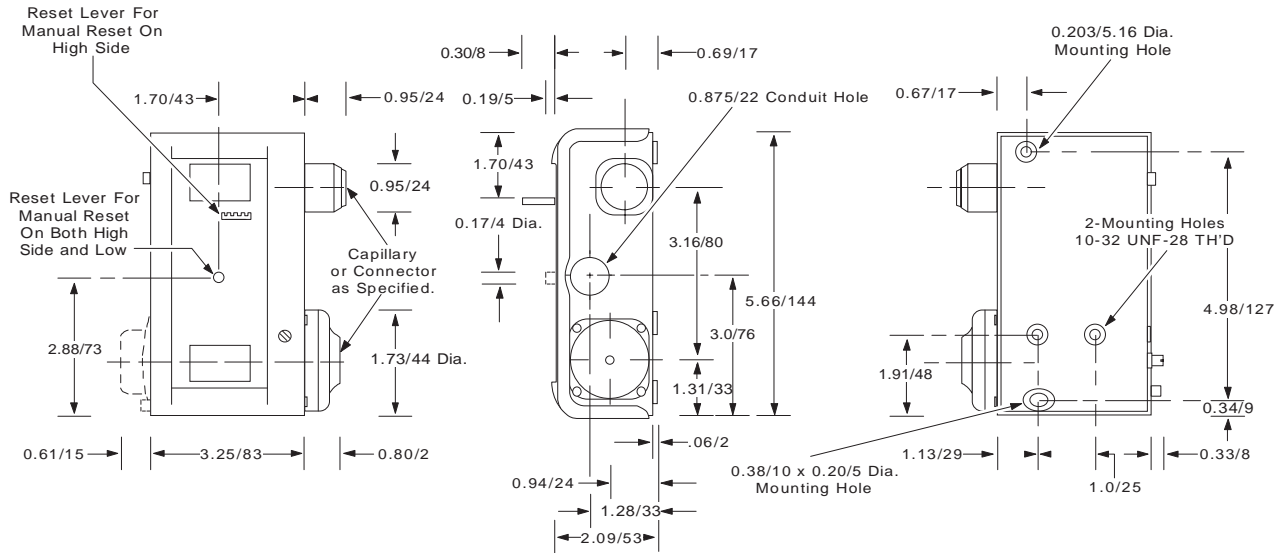


# P70 and P72 Series Dimensions



**Single Function Control, in. (mm)**



**Dual Function Control, in. (mm)**