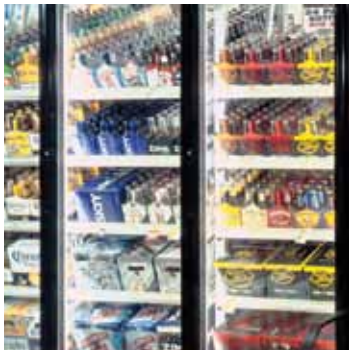


aerospace
climate control
electromechanical
filtration
fluid & gas handling
hydraulics
pneumatics
process control
sealing & shielding



Sporlan Thermostatic Expansion Valves

RACE Catalogue 10-10 UK, April 2010



ENGINEERING YOUR SUCCESS.

THERMOSTATIC EXPANSION VALVES

10 Outstanding Features & Benefits of Sporlan Thermostatic Expansion Valves

- **SELECTIVE THERMOSTATIC CHARGES**
Designed to provide optimum performance for all applications — air conditioning and heat pump, medium and low temperature refrigeration.
- **THERMOSTATIC ELEMENT DESIGN**
Long lasting and field proven stainless steel diaphragm and welded element construction.
- **DIAPHRAGM DESIGN**
Large flat diaphragm permits precise valve control.
- **REPLACEABLE THERMOSTATIC ELEMENTS**
Field replaceable elements on all standard valves.
- **ACCESSIBLE INTERNAL PARTS**
Durable, leakproof body joint construction allows the valve to be disassembled, and the internal parts cleaned and inspected.
- **PIN CARRIER DESIGN (CONVENTIONAL VALVES)**
Provides precise pin and port alignment, and tighter seating.
- **BALANCED PORT DESIGN**
Provides perfect pin and port alignment, and prevents changes in pressure drop across the valve from influencing valve operation. Provides excellent control on applications with widely varying operating conditions.
- **MATERIALS OF CONSTRUCTION**
Pin and port materials offer maximum protection against corrosion and erosion.
- **SILVER SOLDERED CONNECTIONS**
For leakproof, high strength connection-to-body joints.
- **ADJUSTABLE SUPERHEAT DESIGN**
All standard valves are externally adjustable.

The thermostatic expansion valve (TEV) controls the flow of liquid refrigerant entering the direct expansion (DX) evaporator by maintaining a constant superheat of the refrigerant vapor at the outlet of the evaporator. The TEV controls the difference between the actual temperature and the saturation temperature of the refrigerant corresponding to the suction pressure at the sensing bulb location; this is superheat. By controlling

superheat, the TEV keeps most of the evaporator surface active, while preventing liquid refrigerant from returning to the compressor. The ability of the TEV to match refrigerant flow to the rate at which refrigerant can be vaporized in the evaporator makes the TEV the ideal expansion device for most air conditioning and refrigeration applications.

TABLE OF CONTENTS

| | | | |
|---|-------|--|-------|
| Selection Procedure | 2 | BQ, EBQ, & SBQ | 17-21 |
| Valve Nomenclature / Ordering Instructions | 3 | G | 22 |
| Recommended Thermostatic Charges | 3 | EG | 23 |
| TEV Capacity Ratings for Refrigerants: | | BF | 24 |
| 22, 134a, 401A, 402A, 404A, 407C, 408A, 409A, 410A, | | SBF & EBF | 25-26 |
| 422D, and 507 | 3 | S | 27 |
| Capacity Tables for Refrigerants: | | EBS | 28 |
| 22, 134a, 401A, 402A, 404A, 407C, 408A, 409A, 410A, | | O | 29-30 |
| 422D, and 507 | 4-8 | H | 31 |
| TEV Quick Reference Guide | 9-11 | M | 32 |
| Valve Specifications | | V | 33 |
| RC | 12 | W | 34 |
| ER | 13 | Materials and Details of Construction | 35 |
| F & EF | 15-16 | OEM Type Thermostatic Expansion Valves | 36 |
| Q, EQ, & SQ | 17-21 | | |

Refer to Bulletin 10-9 for a complete discussion on The Theory of Operation and Application of Thermostatic Expansion Valves.
Refer to Bulletin 10-11 for a complete discussion on Installing and Servicing Thermostatic Expansion Valves.

SELECTION PROCEDURE

The following procedure should be used when selecting a Sporlan TEV:

- Determine the liquid temperature of the refrigerant entering the valve.
The TEV capacity tables on pages 4 to 8 are based on a liquid temperature of 100°F for R-22, R-134a, R401A, R-402A, R-404A, R-407C, R-408A, R-409A, R-410A, and R-507. For other liquid temperatures, apply the correction factor given in the tables for each refrigerant. For example see Table B.
- Determine pressure drop across valve.
The pressure drop correction factors are based on standard liquid temperature and pressure drop. The standard pressure drop is dependent on the evaporator temperature. To determine the pressure drop, subtract the saturated pressure equivalent to evaporator temperature from the condensing pressure. The condensing pressure used in this calculation should be the minimum operating condensing pressure of the system. From this value, subtract all other pressure losses to obtain the net pressure drop across the valve. Use this value to determine the pressure drop correction factor. For example see Table C. Be sure to consider all of the following possible sources of pressure drop:
 - Friction losses through refrigeration lines including the evaporator and condenser.
 - Pressure drop across liquid line accessories such as a solenoid valve and filter-drier.
 - Static pressure loss (gain) due to the vertical lift (drop) of the liquid line.
 - Pressure drop across a refrigerant distributor if used.

Refer to Bulletin 20-10 for information on refrigerant distributors.

- Select valve from the capacity tables.
Select a valve based on the design evaporating temperature. If possible the valve capacity should be equal or slightly exceed the design rating of the system. Be sure to apply the appropriate correction factors for liquid temperature and pressure drop. Once the desired valve capacity has been located, determine the nominal capacity of the valve from the tables' second column. On multiple evaporator systems, select each valve on the basis of individual evaporator capacity. For example see Table A.
- Determine if an external equalizer is required.
The amount of pressure drop between the valve outlet and bulb location will determine if an external equalizer is required. Refer to Bulletin 10-9 for further information on this subject.

- Select body type.
Select the body type according to the style connections desired. For complete specifications on each TEV type including nominal ratings, refer to pages 9 to 11.
- Select the Sporlan Selective Thermostatic Charge.
Select the charge according to the design evaporating temperature from the Table on page 3. Refer to Bulletin 10-9 for a complete discussion of the available Sporlan Selective Thermostatic Charges.

Selection Example – Refrigerant 22

Application: medium temperature refrigeration
 Design evaporator temperature..... 20°F
 Design condenser temperature 95°F
 Refrigerant liquid temperature..... 70°F
 Design system capacity..... 1 ton

Available pressure drop across TEV:
 Condensing pressure (psig) 182
 Evaporating pressure (psig)..... 43
 139
 Liquid line and accessories loss (psi) - 4
 Distributor and tubes loss (psi) **Q**..... - 35
 100
 Refrigerant liquid correction factor..... 1.17
 Pressure drop correction factor 0.89

Use the following formula to calculate TEV capacity:
 TEV Capacity = TEV rating x CF liquid temperature x CF pressure drop

EGVE-1 has valve capacity of: 1.09 x 1.17 x 0.89 = 1.14 Tons at 20°F evaporating temperature, 100psi pressure drop and 70°F liquid temperature.

Thermostatic charge (from table on page 3): VC **W**

- Selection:
 EGVE-1-C 3/8" x 1/2" x 1/4" ODF x 5'
- Q** An externally equalized valve must be used on evaporators employing a refrigerant distributor due to the pressure drop created by the distributor. In addition, an externally equalized valve should always be used with air conditioning thermostatic charges to reduce the possibility of thermostatic charge migration.
- W** Please note that the refrigerant charge designation in the thermostatic charge ("V" in this case) is dropped when it is incorporated into the valve model designation.

THERMOSTATIC EXPANSION VALVE CAPACITIES for REFRIGERANTS - TONS

AIR CONDITIONING, HEAT PUMP and COMMERC

| VALVE TYPES | NOMINAL CAPACITY | REFRIGERANT 22 | | | | | | |
|-------------|------------------|--|------|------|------|------|------|--|
| | | RECOMMENDED THERMOSTATIC VC, VCP100, VGA VZ, VZP40 | | | | | | |
| | | EVAPORATOR TEMPERATURE °F | | | | | | |
| | | 40° | 20° | 0° | -10° | -20° | -40° | |
| F-EF-G-EG | 1/5 | 0.20 | 0.32 | 0.39 | 0.17 | 0.15 | 0.1 | |
| F-EF-G-EG | 1/3 | 0.35 | 0.38 | 0.33 | 0.27 | 0.24 | 0.1 | |
| F-EF-G-EG | 1/2 | 0.45 | 0.49 | 0.43 | 0.35 | 0.31 | 0.2 | |
| G-EG | 3/4 | 0.75 | 0.68 | 0.71 | 0.68 | 0.61 | 0.4 | |
| F-EF-G-EG | 1 | 1.00 | 1.09 | 0.95 | 0.86 | 0.77 | 0.5 | |
| F-EF-G-EG | 1-1/2 | 1.60 | 1.71 | 1.52 | 1.22 | 1.09 | 0.8 | |

Table A

The valve capacity should equal or slightly exceed the tonnage rating of the system. (For complete R-22 capacity tables, see pages 4 and 5.)

Design Evaporating Temperature

Liquid Temperature

| REFRIGERANT | LIQUID TEMPERATURE ENTERING TEV °F | | | | | | | | |
|-------------|------------------------------------|------|------|------|------|------|------|------|-----|
| | 0° | 10° | 20° | 30° | 40° | 50° | 60° | 70° | 80° |
| 22 | 1.56 | 1.51 | 1.45 | 1.40 | 1.34 | 1.29 | 1.23 | 1.17 | 1.1 |
| 407C | 1.69 | 1.62 | 1.55 | 1.49 | 1.42 | 1.35 | 1.28 | 1.21 | 1.1 |

Table B

TEV Pressure Drop

| EVAPORATOR TEMPERATURE °F | PRESSURE DROP ACROSS TEV (psi) | | | | | | |
|---------------------------|--------------------------------|------|------|------|------|------|------|
| | 30 | 50 | 75 | 100 | 125 | 150 | 175 |
| 40° | 0.55 | 0.71 | 0.87 | 1.00 | 1.12 | 1.22 | 1.32 |
| 20° & 0° | 0.49 | 0.63 | 0.77 | 0.89 | 1.00 | 1.10 | 1.18 |
| 10° & -20° | 0.45 | 0.58 | 0.71 | 0.82 | 0.91 | 1.00 | 1.08 |
| -40° | 0.41 | 0.53 | 0.65 | 0.76 | 0.85 | 0.93 | 1.00 |

Table C

SELECTION PROCEDURE

7. Valve Nomenclature / Ordering Instructions

Combine the letters and numbers in the following manner to obtain the complete valve designation. Also include all connection sizes and the capillary tube length.

EXAMPLE

| | | | | | | | | | | | |
|-----------|---|--|--------------------------|---------------------|------------------------------------|----------|-------------------------------------|----------|---|----------|---|
| EG | V | E | 1 | C | 3/8" ODF SOLDER | X | 1/2" ODF SOLDER | X | 1/4" ODF SOLDER | X | 5' |
| Body Type | Sporlan Code – Refrigerant Element Color Code F = R-12 Yellow V = R-407A Green E = R-13 Blue N = R-407C Lt. Brown V = R-22 Green S = R-408A Purple G = R-23 Blue F = R-409A Yellow M = R-124 Blue Z = R-410A Rose J = R-134a Blue V = R-422D Green X = R-401A Pink R = R-502 Purple L = R-402A Sand W = R-503 Blue S = R-404A Orange P = R-507 Teal W = R-508B Blue | "E" specifies external equalizer. Omission of letter "E" indicates valve with internal equalizer. e.g. EGV-1-C | Nominal Capacity in Tons | Thermostatic Charge | Inlet Connection Size and Style | | Outlet Connection Size and Style | | External Equalizer Connection Size and Style | | Capillary Tubing Length Inches or Feet |

RECOMMENDED THERMOSTATIC CHARGES*

| SPORLAN SELECTIVE CHARGES ENGINEERED for PEAK PERFORMANCE for EACH SPECIFIC APPLICATION | | | | | | | | | | | |
|---|-------------|----------------|--------|-------|-------|------|------------|--------|--------|-----|-----------------------------|
| APPLICATION | REFRIGERANT | | | | | | | | | | ACTUAL THERMOSTATIC CHARGES |
| | 12, 409A | 22, 422D, 407A | 410A | 134a | 401A | 402A | 404A, 408A | 407C | 502 | 507 | |
| Air Conditioning | FCP60 | – | – | JCP60 | XCP60 | – | – | – | – | – | JCP60 |
| | – | VCP100 | – | – | – | – | – | NCP100 | – | – | VCP100 |
| | – | – | ZCP180 | – | – | – | – | – | – | – | ZCP180 |
| | – | VGA | – | – | – | – | – | NGA | – | – | VGA |
| | – | – | ZGA | – | – | – | SCP115 | – | RCP115 | – | SCP115 |
| Commercial Refrigeration 50°F to -10°F | FC | – | – | JC | XC | – | – | – | – | – | JC |
| | – | VC | – | – | – | – | – | NC | – | – | VC |
| | – | – | – | – | – | – | SC | – | RC | – | SC |
| | – | – | – | – | – | LC | – | – | – | PC | PC |
| Low Temperature Refrigeration 0°F to -40°F | FZ | – | – | – | – | – | – | – | – | – | JZ |
| | FZP | – | – | – | – | – | – | – | – | – | JZP |
| | – | VZ | – | – | – | – | – | – | – | – | VZ |
| | – | VZP40 | – | – | – | – | – | – | – | – | VZP40 |
| | – | – | – | – | – | LZ | SZ | – | RZ | PZ | SZ |
| Extreme Low Temperature Refrigeration -40°F to -100°F | – | – | – | – | – | LZP | SZP | – | RZP | PZP | SZP |
| | – | VX | – | – | – | – | – | – | – | – | VX |
| | – | – | – | – | – | LX | SX | – | RX | PX | SX |

*APPLICATION FACTORS:

- The Type ZP charges have essentially the same characteristics as the Type Z charge with one exception: they produce a pressure limit Maximum Operating Pressure (MOP). ZP charges are not intended as replacements for Z charges. Each should be selected for its own unique purpose.
- All air conditioning and heat pump charges are intended for use with externally equalized valves.
- Type L liquid charges are also available for most commonly used refrigerants in most element sizes.
- The Type X charges are not to be used with "EBS" and "O" valves.
- If in doubt as to which charge to use, review the section on thermostatic charges in Bulletin 10-9 or contact Sporlan Division of Parker, Washington, Missouri with complete system data.
- For dual temperature applications, use the "C" charge.
- The "C" charge may be used on applications down to -30°F on R-22, R-404A and R-507.

TEV CAPACITY RATINGS

FOR REFRIGERANTS: 22, 134a, 401A, 402A, 404A, 407C, 408A, 409A, 410A, 422D, 507

TEV capacity ratings for R-22, R-134a, R-401A, R-402A, R-404A, R-407C, R-408A, R-409A, R-410A, R-422D, and R-507 are based on vapor free 100°F liquid refrigerant entering the expansion valve, a maximum opening superheat of 7°F, and a standard factory air test superheat setting. A discussion of the relationship between valve capacities and superheat settings can be found in Bulletin 10-9.

The ratings for evaporator temperatures 40°F, 20°F, -10°F, -40°F in the capacity tables are in accordance with ANSI/ARI Standard Number 750. TEVs are tested in accordance with ANSI/ASHRAE 17.

TEV models featuring the mechanical pressure limit style thermostatic elements, i.e., the Types G(PL) and C(PL) TEVs, are now obsolete. Consult Bulletin 210-10-17 for additional information on this subject and replacement valves.

For TEV capacity ratings at operating conditions not shown in the following tables, contact Sporlan Division of Parker.

THERMOSTATIC EXPANSION VALVE CAPACITIES for REFRIGERANTS - TONS OF REFRIGERATION

22, 422D, 407C

AIR CONDITIONING, HEAT PUMP and COMMERCIAL REFRIGERATION APPLICATIONS

| VALVE TYPES | NOMINAL CAPACITY | REFRIGERANT | | | | | | | | | | | | | | |
|---------------------------|------------------|---------------------------------|------|------|-----------|------|------|-----------------|------|------|-----------|------|------|-----------------|------|------|
| | | 22 | | | | | | 422DQ | | | | 407C | | | | |
| | | RECOMMENDED THERMOSTATIC CHARGE | | | | | | | | | | | | | | |
| | | VC, VCP100, VGA | | | VZ, VZP40 | | | VC, VCP100, VGA | | | VZ, VZP40 | | | NC, NCP100, NGA | | |
| EVAPORATOR TEMPERATURE °F | | | | | | | | | | | | | | | | |
| | | | | | | | | | | | | | | | | |
| | | | | | | | | | | | | | | | | |
| | | | | | | | | | | | | | | | | |
| F-EF-G-EG | 1/5 | 0.20 | 0.22 | 0.19 | 0.17 | 0.15 | 0.11 | 0.14 | 0.15 | 0.13 | 0.11 | 0.10 | 0.07 | 0.18 | 0.20 | 0.17 |
| F-EF-G-EG | 1/3 | 0.35 | 0.38 | 0.33 | 0.27 | 0.24 | 0.18 | 0.25 | 0.26 | 0.22 | 0.18 | 0.16 | 0.11 | 0.32 | 0.35 | 0.30 |
| F-EF-G-EG | 1/2 | 0.45 | 0.49 | 0.43 | 0.35 | 0.31 | 0.23 | 0.36 | 0.34 | 0.29 | 0.23 | 0.20 | 0.15 | 0.41 | 0.44 | 0.38 |
| G-EG | 3/4 | 0.75 | 0.82 | 0.71 | 0.68 | 0.61 | 0.45 | 0.54 | 0.57 | 0.48 | 0.45 | 0.40 | 0.28 | 0.69 | 0.74 | 0.64 |
| F-EF-G-EG | 1 | 1.00 | 1.09 | 0.95 | 0.86 | 0.77 | 0.57 | 0.71 | 0.76 | 0.64 | 0.57 | 0.50 | 0.36 | 0.92 | 0.99 | 0.85 |
| F-EF-G-EG | 1-1/2 | 1.60 | 1.74 | 1.52 | 1.22 | 1.09 | 0.81 | 1.14 | 1.21 | 1.02 | 0.81 | 0.71 | 0.51 | 1.47 | 1.58 | 1.36 |
| F&EF(Ext)-G&EG(Ext)-S | 2 | 2.00 | 2.18 | 1.91 | 1.96 | 1.75 | 1.31 | 1.43 | 1.51 | 1.28 | 1.30 | 1.14 | 0.82 | 1.84 | 1.97 | 1.70 |
| F&EF(Int)-G&EG(Int) | 2-1/2 | 2.50 | 2.72 | 2.38 | 2.20 | 1.97 | 1.47 | 1.78 | 1.89 | 1.60 | 1.45 | 1.28 | 0.92 | 2.30 | 2.46 | 2.12 |
| F&EF(Ext)-G&EG(Ext)-S | 3 | 3.20 | 3.49 | 3.05 | 2.33 | 2.09 | 1.56 | 2.28 | 2.42 | 2.05 | 1.54 | 1.36 | 0.97 | 2.94 | 3.16 | 2.71 |
| S | 4 | 4.50 | 4.90 | 4.29 | 3.43 | 3.07 | 2.29 | 3.21 | 3.40 | 2.88 | 2.27 | 1.99 | 1.43 | 4.14 | 4.44 | 3.81 |
| S | 5 | 5.20 | 5.67 | 4.96 | 4.04 | 3.62 | 2.70 | 3.71 | 3.93 | 3.33 | 2.67 | 2.35 | 1.69 | 4.78 | 5.13 | 4.41 |
| S(Ext) | 8 | 8.00 | 8.72 | 7.04 | 5.82 | 4.87 | 3.59 | 5.70 | 6.04 | 4.73 | 3.85 | 3.16 | 2.24 | 7.35 | 7.89 | 6.25 |
| S(Ext) | 10 | 10.0 | 10.9 | 8.80 | 7.27 | 6.08 | 4.48 | 7.13 | 7.56 | 5.91 | 4.81 | 3.95 | 2.80 | 9.19 | 9.86 | 7.82 |
| H | 5-1/2 | 5.60 | 5.98 | 5.34 | 4.59 | 3.39 | 2.73 | 3.99 | 4.15 | 3.59 | 3.03 | 2.20 | 1.71 | 5.15 | 5.41 | 4.75 |
| H | 7 | 7.00 | 7.48 | 6.67 | 5.14 | 3.79 | 3.06 | 4.99 | 5.18 | 4.48 | 3.40 | 2.46 | 1.91 | 6.43 | 6.76 | 5.93 |
| H | 11 | 10.5 | 11.2 | 10.0 | 7.00 | 5.17 | 4.17 | 7.49 | 7.77 | 6.73 | 4.63 | 3.36 | 2.61 | 9.65 | 10.1 | 8.90 |
| H | 16 | 15.2 | 16.2 | 14.5 | 10.0 | 7.38 | 5.96 | 10.8 | 11.3 | 9.74 | 6.61 | 4.79 | 3.72 | 14.0 | 14.7 | 12.9 |
| H | 20 | 22.2 | 23.7 | 21.2 | 16.3 | 12.0 | 9.71 | 15.8 | 16.4 | 14.2 | 10.8 | 7.81 | 6.07 | 20.4 | 21.5 | 18.8 |
| M | 21 | 21.5 | 23.4 | 22.5 | 18.4 | 16.3 | 13.2 | 15.3 | 16.2 | 15.1 | 12.2 | 10.6 | 8.27 | 19.8 | 21.2 | 20.0 |
| M | 26 | 26.5 | 28.9 | 27.8 | 26.0 | 23.0 | 18.7 | 18.9 | 20.0 | 18.7 | 17.2 | 15.0 | 11.7 | 24.4 | 26.1 | 24.7 |
| M | 34 | 34.0 | 37.1 | 35.6 | 30.6 | 27.1 | 22.0 | 24.2 | 25.7 | 24.0 | 20.2 | 17.6 | 13.8 | 31.3 | 33.5 | 31.7 |
| M | 42 | 42.0 | 45.8 | 44.0 | 39.6 | 32.7 | 25.2 | 29.9 | 31.7 | 29.6 | 26.2 | 21.3 | 15.8 | 38.6 | 41.4 | 39.2 |

| BALANCED PORT THERMOSTATIC EXPANSION VALVES | | | | | | | | | | | | | | | | |
|---|-----|------|------|------|------|------|------|------|------|------|------|------|------|------|------|------|
| BF-EBF-SBF | AAA | 0.35 | 0.38 | 0.33 | 0.27 | 0.24 | 0.18 | 0.25 | 0.26 | 0.22 | 0.18 | 0.16 | 0.11 | 0.32 | 0.34 | 0.30 |
| BF-EBF-SBF | AA | 0.75 | 0.82 | 0.71 | 0.68 | 0.61 | 0.45 | 0.54 | 0.57 | 0.48 | 0.45 | 0.40 | 0.28 | 0.69 | 0.74 | 0.64 |
| BF-EBF-SBF | A | 1.60 | 1.74 | 1.52 | 1.22 | 1.09 | 0.81 | 1.14 | 1.21 | 1.02 | 0.81 | 0.71 | 0.51 | 1.47 | 1.58 | 1.36 |
| BF-EBF-SBF | B | 2.80 | 3.05 | 2.67 | 2.25 | 2.01 | 1.50 | 2.00 | 2.12 | 1.79 | 1.49 | 1.31 | 0.94 | 2.57 | 2.76 | 2.37 |
| BF-EBF-SBF | C | 5.20 | 5.67 | 4.96 | 4.04 | 3.62 | 2.70 | 3.71 | 3.93 | 3.33 | 2.67 | 2.35 | 1.69 | 4.78 | 5.13 | 4.41 |
| EBS | 8 | 8.51 | 8.81 | 7.30 | 6.15 | 5.15 | 3.79 | 6.06 | 6.10 | 4.90 | 4.06 | 3.34 | 2.37 | 7.81 | 7.96 | 6.48 |
| EBS | 11 | 11.5 | 11.9 | 9.86 | 8.32 | 6.96 | 5.13 | 8.20 | 8.25 | 6.63 | 5.50 | 4.52 | 3.21 | 10.6 | 10.8 | 8.77 |
| EBS | 15 | 15.5 | 16.3 | 12.2 | 11.1 | 8.88 | 6.85 | 11.0 | 11.3 | 8.19 | 7.33 | 5.77 | 4.28 | 14.2 | 14.7 | 10.8 |
| EBS | 20 | 22.3 | 22.8 | 16.9 | 15.4 | 12.4 | 8.66 | 15.9 | 15.8 | 11.4 | 10.2 | 8.02 | 5.42 | 20.5 | 20.6 | 15.0 |
| O | 15 | 15.0 | 15.5 | 13.0 | 9.20 | 8.15 | 6.14 | 10.7 | 10.8 | 8.75 | 6.08 | 5.29 | 3.84 | 13.8 | 14.1 | 11.6 |
| O | 20 | 22.2 | 23.0 | 19.3 | 16.3 | 12.0 | 9.71 | 15.8 | 15.9 | 13.0 | 10.8 | 7.81 | 6.07 | 20.4 | 20.8 | 17.1 |
| O | 30 | 30.5 | 31.6 | 26.5 | 19.4 | 17.1 | 14.4 | 21.7 | 21.9 | 17.8 | 12.8 | 11.1 | 8.97 | 28.0 | 28.6 | 23.6 |
| O | 40 | 40.3 | 43.5 | 32.0 | 29.5 | 26.1 | 21.8 | 28.7 | 30.1 | 21.5 | 19.5 | 17.0 | 13.6 | 37.0 | 39.3 | 28.5 |
| O | 55 | 55.0 | 59.3 | 43.7 | 39.4 | 29.9 | 24.3 | 39.2 | 41.1 | 29.4 | 26.0 | 19.4 | 15.2 | 50.6 | 53.7 | 38.9 |
| O | 70 | 73.0 | 78.8 | 58.0 | 51.5 | 34.0 | 26.4 | 52.0 | 54.6 | 39.0 | 34.0 | 22.1 | 16.5 | 67.1 | 71.3 | 51.6 |
| V | 52 | 52.0 | 56.1 | 54.0 | 52.2 | 37.0 | 29.5 | 37.1 | 38.9 | 36.3 | 34.5 | 24.0 | 18.4 | 47.8 | 50.8 | 48.0 |
| V | 70 | 73.0 | 78.8 | 75.8 | 71.6 | 50.7 | 40.4 | 52.0 | 54.6 | 50.9 | 47.3 | 32.9 | 25.3 | 67.1 | 71.3 | 67.4 |
| V | 100 | 100 | 108 | 104 | 92.2 | 65.3 | 52.1 | 71.3 | 74.8 | 69.8 | 60.9 | 42.4 | 32.6 | 91.9 | 97.6 | 92.3 |
| W | 135 | 143 | 154 | 148 | 132 | 93.5 | 74.5 | 102 | 107 | 99.7 | 87.3 | 60.7 | 46.6 | 131 | 140 | 132 |
| W | 180 | 180 | - | - | - | - | - | 128 | - | - | - | - | - | 165 | - | - |

| VALVE TYPES | CARTRIDGE NO. | REPLACEABLE CARTRIDGE THERMOSTATIC EXPANSION VALVES | | | | | | | | | | | | | | |
|-------------|--|---|------|------|------|------|------|------|------|------|------|------|------|------|------|------|
| | | | | | | | | | | | | | | | | |
| Q-EQ-SQ | 0 | 0.35 | 0.38 | 0.33 | 0.27 | 0.24 | 0.18 | 0.25 | 0.26 | 0.22 | 0.18 | 0.16 | 0.11 | 0.32 | 0.35 | 0.30 |
| Q-EQ-SQ | 1 | 0.75 | 0.82 | 0.72 | 0.68 | 0.61 | 0.45 | 0.54 | 0.57 | 0.48 | 0.45 | 0.40 | 0.28 | 0.69 | 0.74 | 0.64 |
| Q-EQ-SQ | 2 | 1.00 | 1.09 | 0.95 | 0.86 | 0.77 | 0.57 | 0.71 | 0.76 | 0.64 | 0.57 | 0.50 | 0.36 | 0.92 | 0.99 | 0.85 |
| Q-EQ-SQ | 3 | 1.50 | 1.64 | 1.43 | 1.10 | 0.99 | 0.73 | 1.07 | 1.13 | 0.96 | 0.73 | 0.64 | 0.46 | 1.38 | 1.48 | 1.27 |
| Q-EQ-SQ | 4 | 2.50 | 2.73 | 2.38 | 2.20 | 1.97 | 1.47 | 1.78 | 1.89 | 1.60 | 1.45 | 1.28 | 0.92 | 2.30 | 2.46 | 2.12 |
| Q-EQ-SQ | 5 | 3.50 | 3.82 | 3.34 | 3.00 | 2.69 | 2.00 | 2.50 | 2.64 | 2.24 | 1.98 | 1.74 | 1.25 | 3.22 | 3.45 | 2.97 |
| Q-EQ-SQ | 6 | 4.80 | 5.24 | 4.58 | 3.65 | 3.27 | 2.44 | 3.42 | 3.63 | 3.07 | 2.41 | 2.12 | 1.52 | 4.41 | 4.73 | 4.07 |
| BQ-EBQ-SBQ | Balanced port replaceable cartridges, AAA, AA, A, B and C, have the same capacities as the matching nominal capacity of the standard balanced port valves above. | | | | | | | | | | | | | | | |

| REFRIGERANT | LIQUID TEMPERATURE ENTERING TEV °F | | | | | | | | | | | | | | |
|-------------|--|------|------|------|------|------|------|------|------|------|------|------|------|------|------|
| | 0° | 10° | 20° | 30° | 40° | 50° | 60° | 70° | 80° | 90° | 100° | 110° | 120° | 130° | 140° |
| | CORRECTION FACTOR, CF LIQUID TEMPERATURE | | | | | | | | | | | | | | |
| 22 | 1.56 | 1.51 | 1.45 | 1.40 | 1.34 | 1.29 | 1.23 | 1.17 | 1.12 | 1.06 | 1.00 | 0.94 | 0.88 | 0.82 | 0.76 |
| 422D | 1.99 | 1.90 | 1.80 | 1.70 | 1.60 | 1.50 | 1.41 | 1.31 | 1.20 | 1.10 | 1.00 | 0.90 | 0.79 | 0.68 | 0.57 |
| 407C | 1.69 | 1.62 | 1.55 | 1.49 | 1.42 | 1.35 | 1.28 | 1.21 | 1.14 | 1.07 | 1.00 | 0.93 | 0.85 | 0.77 | 0.69 |

These factors include corrections for liquid refrigerant density and net refrigerating effect and are based on an evaporator temperature of 0°F. However, they may be used for any evaporator temperature from -40°F to 40°F since the variation in the actual factors across this range is insignificant.

| EVAPORATOR TEMPERATURE °F | PRESSURE DROP ACROSS TEV (psi) | | | | | | | | | | | |
|---------------------------|-------------------------------------|------|------|------|------|------|------|------|------|------|------|------|
| | 30 | 50 | 75 | 100 | 125 | 150 | 175 | 200 | 225 | 250 | 275 | 300 |
| | CORRECTION FACTOR, CF PRESSURE DROP | | | | | | | | | | | |
| 40° | 0.55 | 0.71 | 0.87 | 1.00 | 1.12 | 1.22 | 1.32 | 1.41 | 1.50 | 1.58 | 1.66 | 1.73 |
| 20° & 0° | 0.49 | 0.63 | 0.77 | 0.89 | 1.00 | 1.10 | 1.18 | 1.26 | 1.34 | 1.41 | 1.48 | 1.55 |
| -10° & -20° | 0.45 | 0.58 | 0.71 | 0.82 | 0.91 | 1.00 | 1.08 | 1.15 | 1.22 | 1.29 | 1.35 | 1.41 |
| -40° | 0.41 | 0.53 | 0.65 | 0.76 | 0.85 | 0.93 | 1.00 | 1.07 | 1.13 | 1.20 | 1.25 | 1.31 |

TEV Capacity = TEV Rating x CF Liquid Temperature x CF Pressure Drop — Example: Actual capacity of a nominal 2 ton R-22 Type S valve at 20°F evaporator, 100psi pressure drop across the TEV, and 90°F liquid temperature entering the TEV = 2.18 (from rating chart) x 1.06 (CF liquid temperature) x 0.89 (CF pressure drop) = 2.06 tons.

QR-422D can be used in a system with R-22 valves, but the TEV capacity will be reduced. Please verify valve capacity will handle system load.

THERMOSTATIC EXPANSION VALVE CAPACITIES for REFRIGERANTS - TONS OF REFRIGERATION

22, 422D, 407C

AIR CONDITIONING and HEAT PUMP APPLICATIONS

| VALVE TYPES | NOMINAL CAPACITY | REFRIGERANT | | | | | | | | |
|--|------------------|---------------------------------|------|------|-------|------|------|------|------|------|
| | | 22 | | | 422DQ | | | 407C | | |
| | | RECOMMENDED THERMOSTATIC CHARGE | | | | | | | | |
| | | VCP100, VGAW | | | | | | | | |
| EVAPORATOR TEMPERATURE °F | | | | | | | | | | |
| 40° 20° 0° 40° 20° 0° 40° 20° 0° | | | | | | | | | | |
| ER, RC | 1 | 1.0 | 1.1 | 1.0 | 0.71 | 0.76 | 0.66 | 0.9 | 1.0 | 0.9 |
| ER, RC | 1-1/2 | 1.8 | 1.9 | 1.7 | 1.25 | 1.32 | 1.15 | 1.6 | 1.7 | 1.5 |
| ER, RC | 2 | 2.3 | 2.5 | 2.2 | 1.64 | 1.74 | 1.51 | 2.1 | 2.3 | 2.0 |
| ER, RC | 3 | 3.2 | 3.5 | 3.1 | 2.28 | 2.42 | 2.10 | 2.9 | 3.2 | 2.8 |
| ER, RC | 4 | 4.2 | 4.6 | 4.1 | 2.99 | 3.17 | 2.75 | 3.9 | 4.1 | 3.6 |
| ER, RC | 5 | 5.0 | 5.5 | 4.9 | 3.56 | 3.78 | 3.27 | 4.6 | 4.9 | 4.3 |
| ER, RC | 6 | 6.0 | 6.5 | 5.3 | 4.28 | 4.53 | 3.54 | 5.5 | 5.9 | 4.7 |
| ER | 8 | 8.0 | 8.7 | 7.8 | 5.70 | 6.04 | 5.24 | 7.4 | 7.9 | 6.9 |
| ER | 10 | 10.4 | 11.4 | 10.2 | 7.44 | 7.88 | 6.83 | 9.6 | 10.3 | 9.0 |
| ER | 12 | 12.1 | 13.2 | 11.8 | 8.62 | 9.14 | 7.92 | 11.1 | 11.9 | 10.5 |

| REFRIGERANT | LIQUID TEMPERATURE ENTERING TEV °F | | | | | | | | | | | | | | |
|-------------|------------------------------------|------|------|------|------|------|------|------|------|------|------|------|------|------|------|
| | 0° | 10° | 20° | 30° | 40° | 50° | 60° | 70° | 80° | 90° | 100° | 110° | 120° | 130° | 140° |
| 22 | 1.56 | 1.51 | 1.45 | 1.40 | 1.34 | 1.29 | 1.23 | 1.17 | 1.12 | 1.06 | 1.00 | 0.94 | 0.88 | 0.82 | 0.76 |
| 422D | 1.99 | 1.90 | 1.80 | 1.70 | 1.60 | 1.50 | 1.41 | 1.31 | 1.20 | 1.10 | 1.00 | 0.90 | 0.79 | 0.68 | 0.57 |
| 407C | 1.69 | 1.62 | 1.55 | 1.49 | 1.42 | 1.35 | 1.28 | 1.21 | 1.14 | 1.07 | 1.00 | 0.93 | 0.85 | 0.77 | 0.69 |

These factors include corrections for liquid refrigerant density and net refrigerating effect and are based on an evaporator temperature of 0°F. However, they may be used for any evaporator temperature from -40°F to 40°F since the variation in the actual factors across this range is insignificant.

| EVAPORATOR TEMPERATURE °F | PRESSURE DROP ACROSS TEV (psi) | | | | | | | | | | | |
|---------------------------|--------------------------------|------|------|------|------|------|------|------|------|------|------|------|
| | 30 | 50 | 75 | 100 | 125 | 150 | 175 | 200 | 225 | 250 | 275 | 300 |
| 40° | 0.55 | 0.71 | 0.87 | 1.00 | 1.12 | 1.22 | 1.32 | 1.41 | 1.50 | 1.58 | 1.66 | 1.73 |
| 20° & 0° | 0.49 | 0.63 | 0.77 | 0.89 | 1.00 | 1.10 | 1.18 | 1.26 | 1.34 | 1.41 | 1.48 | 1.55 |

TEV Capacity = TEV Rating x CF Liquid Temperature x CF Pressure Drop — Example: Actual capacity of a nominal 2 ton R-22 Type S valve at 20°F evaporator, 100 psi pressure drop across the TEV, and 90°F liquid temperature entering the TEV = 2.18 (from rating chart) x 1.06 (CF liquid temperature) x 0.89 (CF pressure drop) = 2.06 tons.

Q R-422D can be used in a system with R-22 valves, but the TEV capacity will be reduced. Please verify valve capacity will handle system load.
 W The RC valve for R-22 applications is only available with a VGA element.

THERMOSTATIC EXPANSION VALVE CAPACITIES for REFRIGERANTS - TONS OF REFRIGERATION

410A

AIR CONDITIONING and HEAT PUMP APPLICATIONS

| VALVE TYPES | NOMINAL CAPACITY | REFRIGERANT | | |
|---------------------------|------------------|---------------------------------|------|------|
| | | 410A | | |
| | | RECOMMENDED THERMOSTATIC CHARGE | | |
| | | ZCP200, ZGAQ | | |
| EVAPORATOR TEMPERATURE °F | | | | |
| 40° 20° 0° | | | | |
| ER, RC | 1 | 1.2 | 1.3 | 1.2 |
| ER, RC | 1-1/2 | 2.1 | 2.3 | 2.0 |
| ER, RC | 2 | 2.7 | 3.0 | 2.7 |
| ER, RC | 3 | 3.8 | 4.1 | 3.7 |
| ER, RC | 4 | 5.0 | 5.4 | 4.9 |
| ER, RC | 5 | 5.9 | 6.5 | 5.8 |
| ER, RC | 6 | 7.1 | 7.8 | 6.3 |
| ER | 8 | 9.5 | 10.4 | 9.3 |
| ER | 12-1/2 | 12.3 | 13.5 | 12.1 |
| ER | 15 | 14.3 | 15.7 | 14.0 |

| VALVE TYPES | NOMINAL CAPACITY | REFRIGERANT | | | |
|---------------------------|------------------|---------------------------------|------|------|-----|
| | | 410A | | | |
| | | RECOMMENDED THERMOSTATIC CHARGE | | | |
| | | ZCP200, ZGA | | | |
| EVAPORATOR TEMPERATURE °F | | | | | |
| 40° 20° 0° | | | | | |
| OZE-20 | 20 | 19.7 | 21.6 | 20.4 | |
| OZE-25 | 25 | 23.7 | 25.9 | 24.5 | |
| OZE-35 | 35 | 32.6 | 35.6 | 33.6 | |
| OZE-50 | 50 | 49.3 | 54.0 | 51.0 | |
| OZE-60 | 60 | 59.2 | 64.8 | 61.2 | |
| VALVE TYPES | CARTRIDGE TYPE | | | | |
| BQ, EBQ, SBQ | AAA | 1/3 | 0.4 | 0.5 | 0.4 |
| BQ, EBQ, SBQ | AA | 3/4 | 0.9 | 1.0 | 0.9 |
| BQ, EBQ, SBQ | A | 1-3/4 | 1.9 | 2.1 | 1.8 |
| BQ, EBQ, SBQ | B | 3-1/2 | 3.4 | 3.7 | 3.2 |
| BQ, EBQ, SBQ | C | 6 | 6.2 | 6.8 | 5.9 |

| REFRIGERANT | LIQUID TEMPERATURE ENTERING TEV °F | | | | | | | | | | | | | |
|-------------|------------------------------------|------|------|------|------|------|------|------|------|------|------|--|--|--|
| | 40 | 50 | 60 | 70 | 80 | 90 | 100 | 110 | 120 | 130 | 140 | | | |
| 410A | 1.39 | 1.31 | 1.23 | 1.17 | 1.12 | 1.06 | 1.00 | 0.94 | 0.88 | 0.82 | 0.76 | | | |

| EVAPORATOR TEMPERATURE °F | PRESSURE DROP ACROSS TEV (psi) | | | | | | | | | |
|---------------------------|--------------------------------|------|------|------|------|------|------|------|--|--|
| | 80 | 120 | 160 | 200 | 240 | 280 | 320 | 360 | | |
| 40° | 0.71 | 0.87 | 1.00 | 1.12 | 1.22 | 1.32 | 1.41 | 1.50 | | |
| 20° & 0° | 0.63 | 0.77 | 0.89 | 1.00 | 1.10 | 1.18 | 1.26 | 1.34 | | |

Q The RC valve for R-410A applications is only available with a ZGA element.

THERMOSTATIC EXPANSION VALVE
CAPACITIES for REFRIGERANTS - TONS OF REFRIGERATION

404A, 408A

COMMERCIAL and LOW TEMPERATURE REFRIGERATION APPLICATIONS

| VALVE TYPES | NOMINAL CAPACITY | REFRIGERANT | | | | | | | | | | | |
|---------------------|------------------|---------------------------------|------|------|---------|------|------|------------|------|------|---------|------|------|
| | | 404A | | | | | | 408A | | | | | |
| | | RECOMMENDED THERMOSTATIC CHARGE | | | | | | | | | | | |
| | | SC, SCP115 | | | SZ, SZP | | | SC, SCP115 | | | SZ, SZP | | |
| | | EVAPORATOR TEMPERATURE °F | | | | | | | | | | | |
| 40° | 20° | 0° | -10° | -20° | -40° | 40° | 20° | 0° | -10° | -20° | -40° | | |
| F-EF-G-EG | 1/8 | 0.15 | 0.16 | 0.15 | 0.15 | 0.13 | 0.11 | 0.20 | 0.21 | 0.20 | 0.22 | 0.19 | 0.16 |
| F-EF-G-EG | 1/6 | 0.23 | 0.24 | 0.23 | 0.24 | 0.21 | 0.17 | 0.31 | 0.33 | 0.32 | 0.34 | 0.30 | 0.25 |
| F-EF-G-EG | 1/4 | 0.29 | 0.31 | 0.29 | 0.31 | 0.27 | 0.22 | 0.39 | 0.42 | 0.41 | 0.43 | 0.38 | 0.32 |
| F-EF-G-EG | 1/2 | 0.56 | 0.59 | 0.56 | 0.59 | 0.51 | 0.42 | 0.75 | 0.81 | 0.77 | 0.83 | 0.72 | 0.61 |
| F-EF-G-EG | 1 | 1.02 | 1.10 | 1.04 | 1.10 | 0.94 | 0.79 | 1.37 | 1.50 | 1.44 | 1.54 | 1.34 | 1.14 |
| F-EF-G-EG | 1-1/2 | 1.53 | 1.61 | 1.39 | 1.47 | 1.26 | 1.05 | 2.05 | 2.19 | 1.92 | 2.06 | 1.79 | 1.53 |
| F&E(Ext)-G&E(Ext)-S | 2 | 2.04 | 2.14 | 1.84 | 1.96 | 1.68 | 1.40 | 2.74 | 2.92 | 2.54 | 2.74 | 2.38 | 2.04 |
| S | 3 | 2.86 | 3.00 | 2.52 | 2.45 | 2.10 | 1.75 | 3.83 | 4.08 | 3.48 | 3.43 | 2.98 | 2.54 |
| S | 4 | 4.08 | 4.28 | 3.60 | 3.42 | 2.94 | 2.45 | 5.48 | 5.83 | 4.97 | 4.80 | 4.17 | 3.56 |
| S (Ext) | 6 | 5.61 | 5.12 | 4.27 | 4.52 | 3.84 | 2.97 | 7.53 | 6.97 | 5.90 | 6.34 | 5.45 | 4.32 |
| S (Ext) | 7 | 7.14 | 6.51 | 5.44 | 5.76 | 4.90 | 3.79 | 9.58 | 8.87 | 7.50 | 8.08 | 6.94 | 5.51 |
| H | 3 | 2.85 | 2.72 | 2.32 | 2.45 | 2.08 | 1.65 | 3.83 | 3.71 | 3.20 | 3.434 | 2.95 | 2.41 |
| H | 4 | 4.08 | 3.89 | 3.15 | 3.42 | 2.91 | 2.32 | 5.48 | 5.30 | 4.34 | 4.80 | 4.13 | 3.37 |
| H | 6-1/2 | 6.63 | 6.33 | 5.12 | 5.32 | 4.52 | 3.60 | 8.90 | 8.61 | 7.06 | 7.46 | 6.41 | 5.24 |
| H | 9 | 9.69 | 9.25 | 7.48 | 6.11 | 5.19 | 4.13 | 13.0 | 12.6 | 10.3 | 8.57 | 7.36 | 6.01 |
| H | 12 | 13.3 | 12.7 | 10.2 | 9.79 | 8.31 | 6.62 | 17.8 | 17.2 | 14.1 | 13.7 | 11.8 | 9.60 |
| M | 15 | 16.1 | 17.1 | 13.1 | 13.8 | 12.4 | 10.0 | 21.6 | 23.3 | 18.0 | 19.3 | 17.5 | 14.5 |
| M | 20 | 21.0 | 22.3 | 16.4 | 17.3 | 15.5 | 12.5 | 28.2 | 30.3 | 22.7 | 24.2 | 22.0 | 18.2 |
| M | 25 | 26.2 | 27.8 | 20.5 | 20.3 | 18.2 | 14.7 | 35.2 | 37.8 | 28.3 | 28.4 | 25.8 | 21.4 |
| M | 30 | 31.6 | 33.5 | 24.7 | 23.5 | 21.1 | 17.0 | 42.4 | 45.7 | 34.1 | 32.9 | 29.9 | 24.7 |

| BALANCED PORT THERMOSTATIC EXPANSION VALVES | | | | | | | | | | | | | |
|---|-------|------|------|------|------|------|------|------|------|------|------|------|------|
| BF-EBF-SBF | AAA | 0.23 | 0.24 | 0.23 | 0.24 | 0.21 | 0.17 | 0.31 | 0.33 | 0.32 | 0.34 | 0.30 | 0.25 |
| BF-EBF-SBF | AA | 0.46 | 0.49 | 0.46 | 0.45 | 0.39 | 0.32 | 0.62 | 0.66 | 0.64 | 0.63 | 0.55 | 0.47 |
| BF-EBF-SBF | A | 1.02 | 1.10 | 1.04 | 1.10 | 0.94 | 0.79 | 1.37 | 1.50 | 1.44 | 1.54 | 1.34 | 1.14 |
| BF-EBF-SBF | B | 1.89 | 1.98 | 1.66 | 1.60 | 1.37 | 1.14 | 2.53 | 2.70 | 2.30 | 2.24 | 1.95 | 1.66 |
| BF-EBF-SBF | C | 2.86 | 3.00 | 2.50 | 2.45 | 2.10 | 1.75 | 3.83 | 4.08 | 3.48 | 3.43 | 2.98 | 2.54 |
| EBS | 6 | 5.71 | 5.63 | 4.61 | 4.15 | 3.28 | 2.97 | 7.67 | 7.66 | 6.40 | 5.82 | 4.66 | 4.32 |
| EBS | 7-1/2 | 7.75 | 7.64 | 6.26 | 5.28 | 4.18 | 3.78 | 10.4 | 10.4 | 8.68 | 7.41 | 5.93 | 5.49 |
| EBS | 10 | 9.54 | 9.63 | 7.25 | 6.72 | 5.56 | 4.64 | 12.8 | 13.2 | 10.0 | 9.42 | 7.88 | 6.74 |
| EBS | 13 | 13.6 | 14.0 | 10.2 | 9.54 | 8.00 | 6.15 | 18.3 | 19.0 | 14.2 | 13.4 | 11.4 | 8.94 |
| O | 9 | 9.69 | 9.24 | 7.24 | 6.11 | 5.31 | 4.43 | 13.0 | 12.6 | 10.1 | 8.57 | 7.53 | 6.44 |
| O | 12 | 13.3 | 12.6 | 9.91 | 9.74 | 8.46 | 7.06 | 17.8 | 17.2 | 13.8 | 13.6 | 12.0 | 10.3 |
| O | 21 | 21.4 | 20.4 | 14.3 | 11.7 | 10.1 | 8.46 | 28.8 | 27.8 | 19.8 | 16.4 | 14.4 | 12.3 |
| O | 30 | 30.8 | 32.3 | 23.0 | 17.5 | 15.2 | 12.7 | 41.4 | 44.0 | 32.0 | 24.5 | 21.5 | 18.4 |
| O | 35 | 35.7 | 37.4 | 26.7 | 19.0 | 16.5 | 13.8 | 47.9 | 51.0 | 37.0 | 26.6 | 23.4 | 20.0 |
| O | 45 | 45.9 | 48.1 | 34.3 | 21.9 | 19.0 | 15.9 | 61.6 | 65.6 | 47.6 | 30.7 | 26.9 | 23.1 |
| V | 38 | 38.7 | 39.4 | 33.6 | 33.2 | 30.5 | 24.1 | 52.0 | 53.7 | 46.6 | 46.6 | 43.2 | 35.1 |
| V | 50 | 52.0 | 52.9 | 45.1 | 47.4 | 43.5 | 34.4 | 69.8 | 72.1 | 62.6 | 66.5 | 61.7 | 50.0 |
| V | 70 | 71.4 | 72.6 | 62.7 | 66.4 | 60.9 | 48.1 | 95.8 | 99.0 | 87.0 | 93.1 | 86.4 | 70.0 |

| VALVE TYPES | CARTRIDGE NO. | REPLACEABLE CARTRIDGE THERMOSTATIC EXPANSION VALVES | | | | | | | | | | | | |
|-------------|---------------|---|------|------|------|------|------|------|------|------|------|------|------|------|
| Q-EQ-SQ | 0 | 1/6 | 0.20 | 0.22 | 0.20 | 0.20 | 0.17 | 0.14 | 0.27 | 0.30 | 0.28 | 0.28 | 0.24 | 0.21 |
| Q-EQ-SQ | 1 | 1/4 | 0.46 | 0.49 | 0.46 | 0.45 | 0.39 | 0.32 | 0.62 | 0.66 | 0.64 | 0.63 | 0.55 | 0.47 |
| Q-EQ-SQ | 2 | 1/2 | 0.66 | 0.72 | 0.67 | 0.59 | 0.51 | 0.42 | 0.89 | 0.98 | 0.94 | 0.83 | 0.72 | 0.61 |
| Q-EQ-SQ | 3 | 1 | 1.02 | 1.07 | 0.89 | 0.85 | 0.73 | 0.61 | 1.37 | 1.46 | 1.24 | 1.19 | 1.03 | 0.88 |
| Q-EQ-SQ | 4 | 1-1/2 | 1.63 | 1.71 | 1.44 | 1.47 | 1.26 | 1.05 | 2.19 | 2.33 | 1.99 | 2.06 | 1.79 | 1.53 |
| Q-EQ-SQ | 5 | 2 | 2.14 | 2.25 | 1.88 | 1.96 | 1.68 | 1.40 | 2.88 | 3.06 | 2.61 | 2.74 | 2.38 | 2.04 |
| Q-EQ-SQ | 6 | 3 | 2.86 | 3.00 | 2.51 | 2.45 | 2.11 | 1.75 | 3.83 | 4.08 | 3.48 | 3.43 | 2.98 | 2.54 |

BQ-EBQ-SBQ Balanced port replaceable cartridges, AAA, AA, A, B and C, have the same capacities as the matching nominal capacity of the standard balanced port valves above.

| REFRIGERANT | LIQUID TEMPERATURE ENTERING TEV °F | | | | | | | | | | | | | | |
|-------------|------------------------------------|------|------|------|------|------|------|------|------|------|------|------|------|------|------|
| | 0° | 10° | 20° | 30° | 40° | 50° | 60° | 70° | 80° | 90° | 100° | 110° | 120° | 130° | 140° |
| 404A | 2.04 | 1.94 | 1.84 | 1.74 | 1.64 | 1.54 | 1.43 | 1.33 | 1.22 | 1.11 | 1.00 | 0.89 | 0.77 | 0.65 | 0.53 |
| 408A | 1.66 | 1.60 | 1.54 | 1.47 | 1.40 | 1.34 | 1.27 | 1.21 | 1.14 | 1.07 | 1.00 | 0.93 | 0.86 | 0.79 | 0.71 |

These factors include corrections for liquid refrigerant density and net refrigerating effect and are based on an evaporator temperature of 0°F. However, they may be used for any evaporator temperature from -40°F to 40°F since the variation in the actual factors across this range is insignificant.

| EVAPORATOR TEMPERATURE °F | PRESSURE DROP ACROSS TEV (psi) | | | | | | | | | | |
|---------------------------|-------------------------------------|------|------|------|------|------|------|------|------|------|------|
| | 30 | 50 | 75 | 100 | 125 | 150 | 175 | 200 | 225 | 250 | 275 |
| | CORRECTION FACTOR, CF PRESSURE DROP | | | | | | | | | | |
| 40° | 0.55 | 0.71 | 0.87 | 1.00 | 1.12 | 1.22 | 1.32 | 1.41 | 1.50 | 1.58 | 1.66 |
| 20° & 0° | 0.49 | 0.63 | 0.77 | 0.89 | 1.00 | 1.10 | 1.18 | 1.26 | 1.34 | 1.41 | 1.48 |
| -10° & -20° | 0.45 | 0.58 | 0.71 | 0.82 | 0.91 | 1.00 | 1.08 | 1.15 | 1.22 | 1.29 | 1.35 |
| -40° | 0.41 | 0.53 | 0.65 | 0.76 | 0.85 | 0.93 | 1.00 | 1.07 | 1.13 | 1.20 | 1.25 |

TEV Capacity = TEV Rating x CF Liquid Temperature x CF Pressure Drop—Example: Actual capacity of a nominal 1-1/2 ton R-404A Type EG valve at -20°F evaporator, 125 psi pressure drop across the TEV, and 60°F liquid temperature entering the TEV = 1.26 (from rating chart) x 1.43 (CF liquid temperature) x 0.91 (CF pressure drop) = 1.64 tons.

HERMOSTATIC EXPANSION VALVE CAPACITIES for REFRIGERANTS - TONS OF REFRIGERATION

402A, 507

COMMERCIAL and LOW TEMPERATURE REFRIGERATION APPLICATIONS

| VALVE TYPES | NOMINAL CAPACITY | REFRIGERANT | | | | | | | | | | | |
|---------------------------|------------------|---------------------------------|------|------|---------|------|------|------|------|------|---------|------|------|
| | | 402A | | | | | | 507 | | | | | |
| | | RECOMMENDED THERMOSTATIC CHARGE | | | | | | | | | | | |
| | | LC | | | LZ, LZP | | | PC | | | PZ, PZP | | |
| EVAPORATOR TEMPERATURE °F | | | | | | | | | | | | | |
| | | 40° | 20° | 0° | -10° | -20° | -40° | 40° | 20° | 0° | -10° | -20° | -40° |
| F-EF-G-EG | 1/8 | 0.15 | 0.16 | 0.15 | 0.16 | 0.13 | 0.11 | 0.14 | 0.15 | 0.14 | 0.15 | 0.13 | 0.11 |
| F-EF-G-EG | 1/6 | 0.23 | 0.24 | 0.23 | 0.24 | 0.21 | 0.18 | 0.22 | 0.24 | 0.22 | 0.24 | 0.20 | 0.17 |
| F-EF-G-EG | 1/4 | 0.29 | 0.31 | 0.29 | 0.31 | 0.27 | 0.23 | 0.29 | 0.30 | 0.29 | 0.30 | 0.26 | 0.22 |
| F-EF-G-EG | 1/2 | 0.56 | 0.59 | 0.56 | 0.59 | 0.51 | 0.43 | 0.55 | 0.58 | 0.54 | 0.58 | 0.50 | 0.41 |
| F-EF-G-EG | 1 | 1.02 | 1.10 | 1.04 | 1.11 | 0.95 | 0.80 | 1.00 | 1.08 | 1.01 | 1.08 | 0.93 | 0.77 |
| F-EF-G-EG | 1-1/2 | 1.52 | 1.61 | 1.39 | 1.48 | 1.27 | 1.07 | 1.50 | 1.57 | 1.36 | 1.44 | 1.24 | 1.03 |
| F&EF(Ext)-G&EG(Ext)-S | 2 | 2.03 | 2.14 | 1.84 | 1.97 | 1.70 | 1.42 | 2.00 | 2.09 | 1.79 | 1.92 | 1.65 | 1.38 |
| S | 3 | 2.85 | 3.00 | 2.52 | 2.47 | 2.12 | 1.78 | 2.79 | 2.93 | 2.45 | 2.40 | 2.06 | 1.72 |
| S | 4 | 4.07 | 4.28 | 3.60 | 3.45 | 2.97 | 2.49 | 3.99 | 4.19 | 3.50 | 3.36 | 2.89 | 2.41 |
| S (Ext) | 6 | 5.59 | 5.12 | 4.27 | 4.56 | 3.88 | 3.02 | 5.49 | 5.00 | 4.16 | 4.43 | 3.77 | 2.93 |
| S (Ext) | 7 | 7.12 | 6.51 | 5.44 | 5.81 | 4.95 | 3.85 | 6.99 | 6.36 | 5.30 | 5.65 | 4.80 | 3.73 |
| H | 3 | 2.85 | 2.72 | 2.32 | 2.46 | 2.10 | 1.68 | 2.79 | 2.66 | 2.26 | 2.40 | 2.04 | 1.63 |
| H | 4 | 4.07 | 3.89 | 3.15 | 3.45 | 2.94 | 2.36 | 3.99 | 3.81 | 3.07 | 3.36 | 2.86 | 2.28 |
| H | 6-1/2 | 6.61 | 6.33 | 5.12 | 5.36 | 4.57 | 3.66 | 6.49 | 6.18 | 4.98 | 5.22 | 4.44 | 3.54 |
| H | 9 | 9.66 | 9.25 | 7.48 | 6.16 | 5.25 | 4.20 | 9.48 | 9.04 | 7.28 | 5.99 | 5.09 | 4.07 |
| H | 12 | 13.2 | 12.7 | 10.2 | 9.86 | 8.40 | 6.73 | 13.0 | 12.4 | 10.0 | 9.59 | 8.16 | 6.52 |
| M | 15 | 16.1 | 17.1 | 13.1 | 13.9 | 12.5 | 10.2 | 15.8 | 16.7 | 12.7 | 13.5 | 12.1 | 9.83 |
| M | 20 | 20.9 | 22.3 | 16.4 | 17.4 | 15.7 | 12.7 | 20.6 | 21.8 | 16.0 | 16.9 | 15.2 | 12.3 |
| M | 25 | 26.1 | 27.8 | 20.5 | 20.4 | 18.4 | 14.9 | 25.6 | 27.2 | 20.0 | 19.9 | 17.9 | 14.5 |
| M | 30 | 31.5 | 33.5 | 24.7 | 23.6 | 21.3 | 17.3 | 30.9 | 32.8 | 24.1 | 23.0 | 20.7 | 16.7 |

| BALANCED PORT THERMOSTATIC EXPANSION VALVES | | | | | | | | | | | | | |
|---|---------------|------|------|------|------|------|------|------|------|------|------|------|------|
| VALVE TYPES | CARTRIDGE NO. | 40° | 20° | 0° | -10° | -20° | -40° | 40° | 20° | 0° | -10° | -20° | -40° |
| BF-EBF-SBF | AAA | 0.23 | 0.24 | 0.23 | 0.24 | 0.21 | 0.18 | 0.23 | 0.24 | 0.22 | 0.24 | 0.21 | 0.17 |
| BF-EBF-SBF | AA | 0.46 | 0.49 | 0.46 | 0.45 | 0.39 | 0.33 | 0.45 | 0.48 | 0.45 | 0.44 | 0.38 | 0.32 |
| BF-EBF-SBF | A | 1.02 | 1.10 | 1.04 | 1.11 | 0.95 | 0.80 | 1.00 | 1.08 | 1.01 | 1.08 | 0.93 | 0.77 |
| BF-EBF-SBF | B | 1.88 | 1.98 | 1.66 | 1.61 | 1.39 | 1.16 | 1.85 | 1.94 | 1.62 | 1.57 | 1.35 | 1.12 |
| BF-EBF-SBF | C | 2.85 | 3.00 | 2.52 | 2.47 | 2.12 | 1.78 | 2.79 | 2.93 | 2.45 | 2.40 | 2.06 | 1.72 |
| EBS | 6 | 5.69 | 5.63 | 4.63 | 4.18 | 3.32 | 3.01 | 5.59 | 5.50 | 4.52 | 4.06 | 3.22 | 2.92 |
| EBS | 7-1/2 | 7.73 | 7.64 | 6.29 | 5.32 | 4.23 | 3.84 | 7.59 | 7.47 | 6.13 | 5.18 | 4.10 | 3.72 |
| EBS | 10 | 9.51 | 9.64 | 7.28 | 6.77 | 5.62 | 4.71 | 9.35 | 9.43 | 7.10 | 6.59 | 5.46 | 4.57 |
| EBS | 13 | 13.6 | 14.0 | 10.2 | 9.61 | 8.08 | 6.25 | 13.4 | 13.7 | 9.99 | 9.36 | 7.85 | 6.06 |
| O | 9 | 9.66 | 9.25 | 7.28 | 6.16 | 5.37 | 4.50 | 9.48 | 9.04 | 7.09 | 5.99 | 5.21 | 4.36 |
| O | 12 | 13.2 | 12.7 | 9.96 | 9.81 | 8.55 | 7.17 | 13.0 | 12.4 | 9.71 | 9.54 | 8.30 | 6.95 |
| O | 21 | 21.3 | 20.4 | 14.4 | 11.8 | 10.2 | 8.60 | 21.0 | 20.0 | 14.0 | 11.4 | 9.95 | 8.32 |
| O | 30 | 30.7 | 32.3 | 23.1 | 17.6 | 15.3 | 12.9 | 30.1 | 31.6 | 22.5 | 17.1 | 14.9 | 12.5 |
| O | 35 | 35.6 | 37.5 | 26.8 | 19.1 | 16.7 | 14.0 | 34.9 | 36.6 | 26.1 | 18.6 | 16.2 | 13.5 |
| O | 45 | 45.7 | 48.2 | 34.5 | 22.0 | 19.2 | 16.1 | 44.9 | 47.1 | 33.6 | 21.4 | 18.6 | 15.6 |
| V | 38 | 38.6 | 39.5 | 33.8 | 33.5 | 30.8 | 24.5 | 37.9 | 38.6 | 32.9 | 32.6 | 29.9 | 23.7 |
| V | 50 | 51.8 | 52.9 | 45.3 | 47.8 | 44.0 | 34.9 | 50.9 | 51.8 | 44.2 | 46.5 | 42.7 | 33.8 |
| V | 70 | 71.2 | 72.7 | 63.0 | 66.9 | 61.5 | 48.9 | 69.9 | 71.0 | 61.4 | 65.1 | 59.8 | 47.4 |

| VALVE TYPES | CARTRIDGE NO. | REPLACEABLE CARTRIDGE THERMOSTATIC EXPANSION VALVES | | | | | | | | | | | | |
|-------------|---|---|------|------|------|------|------|------|------|------|------|------|------|------|
| VALVE TYPES | CARTRIDGE NO. | 40° | 20° | 0° | -10° | -20° | -40° | 40° | 20° | 0° | -10° | -20° | -40° | |
| Q-EQ-SQ | 0 | 1/6 | 0.20 | 0.22 | 0.20 | 0.20 | 0.17 | 0.15 | 0.20 | 0.21 | 0.20 | 0.20 | 0.17 | 0.14 |
| Q-EQ-SQ | 1 | 1/4 | 0.46 | 0.49 | 0.46 | 0.45 | 0.39 | 0.33 | 0.45 | 0.48 | 0.45 | 0.44 | 0.38 | 0.32 |
| Q-EQ-SQ | 2 | 1/2 | 0.66 | 0.72 | 0.67 | 0.59 | 0.51 | 0.43 | 0.65 | 0.70 | 0.66 | 0.58 | 0.50 | 0.42 |
| Q-EQ-SQ | 3 | 1 | 1.02 | 1.07 | 0.89 | 0.86 | 0.74 | 0.62 | 1.00 | 1.05 | 0.88 | 0.83 | 0.72 | 0.60 |
| Q-EQ-SQ | 4 | 1-1/2 | 1.63 | 1.71 | 1.44 | 1.48 | 1.27 | 1.07 | 1.60 | 1.67 | 1.41 | 1.44 | 1.24 | 1.03 |
| Q-EQ-SQ | 5 | 2 | 2.14 | 2.25 | 1.88 | 1.97 | 1.70 | 1.43 | 2.10 | 2.20 | 1.84 | 1.92 | 1.65 | 1.38 |
| Q-EQ-SQ | 6 | 3 | 2.86 | 3.00 | 2.51 | 2.47 | 2.13 | 1.77 | 2.79 | 2.93 | 2.46 | 2.40 | 2.07 | 1.72 |
| BQ-EBQ-SBQ | Balanced port replaceable cartridges, AAA, AA, A, Band C, have the same capacities as the matching nominal capacity of the standard balanced port valves above. | | | | | | | | | | | | | |

| REFRIGERANT | LIQUID TEMPERATURE ENTERING TEV °F | | | | | | | | | | | | | | |
|--|------------------------------------|------|------|------|------|------|------|------|------|------|------|------|------|------|------|
| | 0° | 10° | 20° | 30° | 40° | 50° | 60° | 70° | 80° | 90° | 100° | 110° | 120° | 130° | 140° |
| CORRECTION FACTOR, CF LIQUID TEMPERATURE | | | | | | | | | | | | | | | |
| 402A | 2.01 | 1.91 | 1.82 | 1.72 | 1.62 | 1.52 | 1.42 | 1.32 | 1.22 | 1.11 | 1.00 | 0.89 | 0.77 | 0.65 | 0.53 |
| 507 | 1.99 | 1.89 | 1.79 | 1.69 | 1.59 | 1.50 | 1.40 | 1.30 | 1.20 | 1.10 | 1.00 | 0.89 | 0.78 | 0.66 | 0.51 |

These factors include corrections for liquid refrigerant density and net refrigerating effect and are based on an evaporator temperature of 0°F. However, they may be used for any evaporator temperature from -40°F to 40°F since the variation in the actual factors across this range is insignificant.

| EVAPORATOR TEMPERATURE °F | PRESSURE DROP ACROSS TEV (psi) | | | | | | | | | | |
|-------------------------------------|--------------------------------|------|------|------|------|------|------|------|------|------|------|
| | 30 | 50 | 75 | 100 | 125 | 150 | 175 | 200 | 225 | 250 | 275 |
| CORRECTION FACTOR, CF PRESSURE DROP | | | | | | | | | | | |
| 40° | 0.55 | 0.71 | 0.87 | 1.00 | 1.12 | 1.22 | 1.32 | 1.41 | 1.50 | 1.58 | 1.66 |
| 20° & 0° | 0.49 | 0.63 | 0.77 | 0.89 | 1.00 | 1.10 | 1.18 | 1.26 | 1.34 | 1.41 | 1.48 |
| -10° & -20° | 0.45 | 0.58 | 0.71 | 0.82 | 0.91 | 1.00 | 1.08 | 1.15 | 1.22 | 1.29 | 1.35 |
| -40° | 0.41 | 0.53 | 0.65 | 0.76 | 0.85 | 0.93 | 1.00 | 1.07 | 1.13 | 1.20 | 1.25 |

TEV Capacity = TEV Rating x CF Liquid Temperature x CF Pressure Drop—Example: Actual capacity of a nominal 1-1/2 ton R-404A type EG valve at -20°F evaporator, 125 psi pressure drop across the TEV, and 60°F liquid temperature entering the TEV = 1.26 (from rating chart) x 1.43 (CF liquid temperature) x 0.91 (CF pressure drop) = 1.64 tons.

THERMOSTATIC EXPANSION VALVE
CAPACITIES for REFRIGERANTS - TONS OF REFRIGERATION

134a, 401A, 409A

AIR CONDITIONING, HEAT PUMP and COMMERCIAL REFRIGERATION APPLICATIONS

| VALVE TYPES | NOMINAL CAPACITY | REFRIGERANT | | | | | | | | |
|---------------------------|------------------|---------------------------------|------|------|-----------|------|------|-----------|------|------|
| | | 134a | | | 401A | | | 409A | | |
| | | RECOMMENDED THERMOSTATIC CHARGE | | | | | | | | |
| | | JC, JCP60 | | | XC, XCP60 | | | FC, FCP60 | | |
| EVAPORATOR TEMPERATURE °F | | | | | | | | | | |
| | | 40° | 20° | 0° | 40° | 20° | 0° | 40° | 20° | 0° |
| F-EF-G-EG | 1/8 | 0.15 | 0.15 | 0.14 | 0.16 | 0.16 | 0.15 | 0.15 | 0.15 | 0.14 |
| F-EF-G-EG | 1/6 | 0.25 | 0.28 | 0.26 | 0.27 | 0.30 | 0.29 | 0.25 | 0.28 | 0.27 |
| F-EF-G-EG | 1/4 | 0.31 | 0.35 | 0.33 | 0.34 | 0.37 | 0.36 | 0.32 | 0.35 | 0.33 |
| F-EF-G-EG | 1/2 | 0.60 | 0.60 | 0.55 | 0.65 | 0.65 | 0.60 | 0.61 | 0.60 | 0.56 |
| F-EF-G-EG | 1 | 1.20 | 1.20 | 1.10 | 1.29 | 1.29 | 1.20 | 1.21 | 1.21 | 1.12 |
| F-EF-G-EG | 1-1/2 | 1.93 | 1.91 | 1.76 | 2.07 | 2.07 | 1.92 | 1.94 | 1.93 | 1.79 |
| F&E(Ext)-G&E(Ext)-S | 2 | 2.41 | 2.39 | 2.20 | 2.59 | 2.59 | 2.40 | 2.42 | 2.42 | 2.23 |
| S | 2-1/2 | 3.01 | 2.99 | 2.75 | 3.23 | 3.24 | 3.00 | 3.03 | 3.02 | 2.79 |
| S | 3 | 3.62 | 3.59 | 3.30 | 3.88 | 3.88 | 3.60 | 3.63 | 3.62 | 3.35 |
| S (Ext) | 5 | 6.03 | 4.98 | 4.17 | 6.47 | 5.39 | 4.56 | 6.05 | 5.03 | 4.24 |
| S (Ext) | 6 | 7.23 | 5.98 | 5.01 | 7.76 | 6.47 | 5.47 | 7.26 | 6.04 | 5.09 |
| H | 3 | 3.62 | 3.59 | 3.04 | 3.88 | 3.88 | 3.31 | 3.63 | 3.62 | 3.08 |
| H | 4 | 4.82 | 4.79 | 4.05 | 5.18 | 5.18 | 4.42 | 4.84 | 4.83 | 4.11 |
| H | 5 | 6.03 | 5.98 | 5.06 | 6.47 | 6.47 | 5.52 | 6.05 | 6.04 | 5.14 |
| H | 8 | 9.04 | 8.97 | 7.59 | 9.70 | 9.71 | 8.29 | 9.08 | 9.06 | 7.71 |
| H | 12 | 14.1 | 14.0 | 11.8 | 15.1 | 15.1 | 12.9 | 14.2 | 14.1 | 12.0 |
| M | 15 | 18.7 | 18.5 | 15.1 | 20.1 | 20.1 | 16.5 | 18.8 | 18.7 | 15.3 |
| M | 20 | 24.1 | 23.9 | 19.5 | 25.9 | 25.9 | 21.3 | 24.2 | 24.2 | 19.8 |
| M | 25 | 30.1 | 29.9 | 24.3 | 32.3 | 32.4 | 26.6 | 30.3 | 30.2 | 24.7 |

BALANCED PORT THERMOSTATIC EXPANSION VALVES

| | | | | | | | | | | |
|------------|-----|------|------|------|------|------|------|------|------|------|
| BF-EBF-SBF | AAA | 0.25 | 0.28 | 0.26 | 0.27 | 0.30 | 0.29 | 0.25 | 0.28 | 0.27 |
| BF-EBF-SBF | AA | 0.54 | 0.54 | 0.50 | 0.58 | 0.58 | 0.54 | 0.55 | 0.54 | 0.50 |
| BF-EBF-SBF | A | 1.21 | 1.20 | 1.10 | 1.29 | 1.29 | 1.20 | 1.21 | 1.21 | 1.12 |
| BF-EBF-SBF | B | 2.05 | 2.03 | 1.87 | 2.20 | 2.20 | 2.04 | 2.06 | 2.05 | 1.90 |
| BF-EBF-SBF | C | 3.62 | 3.59 | 3.30 | 3.88 | 3.88 | 3.60 | 3.63 | 3.62 | 3.35 |
| EBS | 5 | 6.12 | 5.60 | 4.82 | 6.57 | 6.06 | 5.26 | 6.15 | 5.66 | 4.89 |
| EBS | 7 | 8.44 | 7.72 | 6.64 | 9.06 | 8.36 | 7.25 | 8.47 | 7.80 | 6.74 |
| EBS | 9 | 11.2 | 9.72 | 7.80 | 12.0 | 10.5 | 8.52 | 11.2 | 9.81 | 7.92 |
| EBS | 12 | 16.0 | 14.0 | 10.9 | 17.2 | 15.1 | 11.9 | 16.1 | 14.1 | 11.1 |
| O | 9 | 10.8 | 10.8 | 9.33 | 11.6 | 11.7 | 10.2 | 10.9 | 10.9 | 9.48 |
| O | 12 | 14.1 | 14.0 | 12.1 | 15.1 | 15.1 | 13.2 | 14.2 | 14.1 | 12.3 |
| O | 16 | 18.7 | 18.5 | 16.1 | 20.1 | 20.1 | 17.6 | 18.8 | 18.7 | 16.3 |
| O | 23 | 27.7 | 30.0 | 24.7 | 29.8 | 32.4 | 27.0 | 27.8 | 30.2 | 25.1 |
| O | 32 | 38.6 | 41.7 | 34.4 | 41.4 | 45.1 | 37.6 | 38.7 | 42.1 | 34.9 |
| O | 40 | 48.2 | 52.1 | 43.0 | 51.8 | 56.4 | 47.0 | 48.4 | 52.6 | 43.7 |
| V | 35 | 42.2 | 41.9 | 33.2 | 45.3 | 45.3 | 36.3 | 42.4 | 42.3 | 33.7 |
| V | 45 | 54.2 | 53.8 | 42.7 | 58.2 | 58.3 | 46.6 | 54.5 | 54.3 | 43.3 |
| V | 55 | 66.3 | 65.8 | 52.2 | 71.2 | 71.2 | 57.0 | 66.6 | 66.4 | 53.0 |
| W | 80 | 102 | 102 | 75.3 | 110 | 110 | 82.2 | 103 | 103 | 76.4 |
| W | 110 | 137 | — | — | 148 | — | — | 138 | — | — |

REPLACEABLE CARTRIDGE THERMOSTATIC EXPANSION VALVES

| VALVE TYPES | CARTRIDGE NO. | | | | | | | | | | |
|-------------|---------------|-------|------|------|------|------|------|------|------|------|------|
| Q-EQ-SQ | 0 | 1/6 | 0.24 | 0.24 | 0.22 | 0.26 | 0.26 | 0.24 | 0.24 | 0.24 | 0.22 |
| Q-EQ-SQ | 1 | 1/4 | 0.54 | 0.54 | 0.50 | 0.58 | 0.58 | 0.54 | 0.55 | 0.54 | 0.50 |
| Q-EQ-SQ | 2 | 1/2 | 0.78 | 0.78 | 0.72 | 0.84 | 0.84 | 0.78 | 0.79 | 0.79 | 0.73 |
| Q-EQ-SQ | 3 | 1 | 1.21 | 1.20 | 1.10 | 1.29 | 1.29 | 1.20 | 1.21 | 1.21 | 1.12 |
| Q-EQ-SQ | 4 | 1-1/2 | 1.69 | 1.67 | 1.54 | 1.81 | 1.81 | 1.68 | 1.69 | 1.69 | 1.56 |
| Q-EQ-SQ | 5 | 2 | 2.41 | 2.39 | 2.20 | 2.59 | 2.59 | 2.40 | 2.42 | 2.42 | 2.23 |
| Q-EQ-SQ | 6 | 2-1/2 | 3.25 | 3.23 | 2.97 | 3.49 | 3.50 | 3.24 | 3.27 | 3.26 | 3.02 |

BQ-EBQ-SBQ Balanced port replaceable cartridges, AAA, AA, A, B and C, have the same capacities as the matching nominal capacity of the standard balanced port valves above.








| REFRIGERANT | LIQUID TEMPERATURE ENTERING TEV °F | | | | | | | | | | | | | | |
|--|------------------------------------|------|------|------|------|------|------|------|------|------|------|------|------|------|------|
| | 0° | 10° | 20° | 30° | 40° | 50° | 60° | 70° | 80° | 90° | 100° | 110° | 120° | 130° | 140° |
| CORRECTION FACTOR, CF LIQUID TEMPERATURE | | | | | | | | | | | | | | | |
| 134a | 1.70 | 1.63 | 1.56 | 1.49 | 1.42 | 1.36 | 1.29 | 1.21 | 1.14 | 1.07 | 1.00 | 0.93 | 0.85 | 0.78 | 0.71 |
| 401A | 1.60 | 1.54 | 1.48 | 1.43 | 1.36 | 1.31 | 1.25 | 1.19 | 1.13 | 1.06 | 1.00 | 0.94 | 0.87 | 0.80 | 0.74 |
| 409A | 1.55 | 1.50 | 1.45 | 1.39 | 1.34 | 1.28 | 1.23 | 1.17 | 1.12 | 1.06 | 1.00 | 0.94 | 0.88 | 0.82 | 0.76 |

These factors include corrections for liquid refrigerant density and net refrigerating effect and are based on an evaporator temperature of 0°F. However, they may be used for any evaporator temperature from 0°F to 40°F since the variation in the actual factors across this range is insignificant.








| EVAPORATOR TEMPERATURE °F | PRESSURE DROP ACROSS TEV (psi) | | | | | | | |
|-------------------------------------|--------------------------------|------|------|------|------|------|------|------|
| | 20 | 40 | 60 | 80 | 100 | 120 | 140 | 160 |
| CORRECTION FACTOR, CF PRESSURE DROP | | | | | | | | |
| 40° | 0.58 | 0.82 | 1.00 | 1.15 | 1.29 | 1.41 | 1.53 | 1.63 |
| 20° & 0° | 0.50 | 0.71 | 0.87 | 1.00 | 1.12 | 1.22 | 1.32 | 1.41 |

TEV Capacity = TEV Rating x CF Liquid Temperature x CF Pressure Drop — Example: Actual capacity of a nominal 1-1/2 ton R-134a Type EG valve at 20°F evaporator, 100 psi pressure drop across the TEV, and 60°F liquid temperature entering the TEV = 1.91 (from rating chart) x 1.29 (CF liquid temperature) x 1.12 (CF pressure drop) = 2.76 tons.






TEV QUICK REFERENCE GUIDE

| VALVE TYPE | SPECS | NOMINAL CAPACITY RANGE (Tons) | | | | CONNECTION TYPES | VALVE DESCRIPTION AND APPLICATION |
|--|--------------|---|---|---|----------------------------------|------------------------------------|--|
| | | R-22 | R-134a | R-404A & R-507 | R-410A | | |
| RC  | Page 12 | 1 thru 6 | – | – | 1 thru 6 | Chatleff, SAE Flare, or ODF Solder | Small brass body, externally adjustable valve available for R-22 and R-410A air conditioning and heat pump applications. This valve features a balanced port construction and contains an internal check valve to eliminate the need for an external bypass check valve on heat pump applications. Suitable for replacing OEM type TEVs with or without internal check valve on these applications. Inlet strainer is not included. |
| ER  | Page 13 | 1 thru 12 | – | – | 1 thru 15 | ODF Solder | Small brass body, externally adjustable valve available for R-22 and R-410A air conditioning and heat pump applications. This valve features a balanced port construction and is approved for bi-directional operation. Suitable for replacing OEM type TEVs with or without internal check valve on these applications. A 60 x 50 mesh inlet strainer is included with 3/8" inlet. |
| F  | Page 15 - 16 | 1/5 thru 3 | 1/8 thru 2 | 1/8 thru 2 | – | SAE Flare | Small brass bar body, externally adjustable valve for small capacity refrigeration systems. SAE flare inlet connection has a removable 100 mesh strainer. Typical applications: Refrigerated cases, coolers, freezers. |
| EF  | Page 15 - 16 | 1/5 thru 3 | 1/8 thru 2 | 1/8 thru 2 | – | ODF Solder | Same as the Type F valve except valve features ODF solder connections. The inlet connection has a 60x50 mesh insert type strainer. Typical applications: Refrigerated cases, coolers, freezers. |
| Q/BQ  | Page 17 - 21 | Q 1/3 thru 5 BQ 1/8 thru 5-1/2 | Q 1/6 thru 2-1/2 BQ 1/8 thru 3 | Q 1/6 thru 3 BQ 1/8 thru 3 | Q – BQ 1/4 thru 6 | SAE Flare | The brass body Type Q valve is externally adjustable with a removable cartridge orifice. The valve body, cartridge and thermostatic element is supplied as independent components. This allows body, cartridge and element to be assembled and matched to specific system requirements. Inlet connection has a 100 mesh removable strainer screen. Typical applications: Refrigeration applications and external equalized versions may be used on air conditioning. Type BQ same as above, with balanced port construction. |
| EQ/EBQ  | Page 17 - 21 | EQ 1/3 thru 5 EBQ 1/8 thru 5-1/2 | EQ 1/6 thru 2-1/2 EBQ 1/8 thru 3 | EQ 1/6 thru 3 EBQ 1/8 thru 3 | EQ – EBQ 1/4 thru 6 | Extended ODF Solder | Type EQ same as the Type Q except it features extended ODF connections. A 100 mesh insert strainer is provided with the valve. Type EBQ same as Type EQ with balanced port construction and is approved for bi-directional applications. |
| SQ/SBQ  | Page 17 - 21 | SQ 1/3 thru 5 SBQ 1/8 thru 5-1/2 | SQ 1/6 thru 2-1/2 SBQ 1/8 thru 3 | SQ 1/6 thru 3 SBQ 1/8 thru 3 | SQ – SBQ 1/4 thru 6 | Extended ODF Solder | Type SQ same as the Type Q valve except it features ODF solder connections and a forged brass inlet fitting with a removable 100 mesh strainer screen which can be cleaned and/or replaced without removing the valve from the line. Type SBQ is the same as Type SQ with balanced port construction and is approved for bi-directional applications. |

TEV QUICK REFERENCE GUIDE

| VALVE TYPE | SPECS | NOMINAL CAPACITY RANGE (Tons) | | | | CONNECTION TYPES | VALVE DESCRIPTION AND APPLICATION |
|--|--------------|-------------------------------|------------|----------------|--------|---------------------|--|
| | | R-22 | R-134a | R-404A & R-507 | R-410A | | |
| G  | Page 22 | 1/5 thru 3 | 1/8 thru 2 | 1/8 thru 2 | – | SAE Flare | Forged brass body, externally adjustable valve for small capacity refrigeration systems. Inlet connection has a removable 100 mesh strainer. Typical applications: Refrigerated cases, coolers, freezers, small capacity air conditioners. |
| EG  | Page 23 | 1/5 thru 3 | 1/8 thru 2 | 1/8 thru 2 | – | ODF Solder | Same as the Type G valve except it features ODF solder connections and a forged brass inlet fitting with a removable 100 mesh strainer which can be cleaned and/or replaced without removing the valve from the line. |
| BF  | Page 24 | 1/8 thru 5-1/2 | 1/8 thru 3 | 1/8 thru 3 | – | SAE Flare | Same physical size as the Type F valve with SAE flare connection except it features a balanced port construction. Inlet connection has a removable 100 mesh strainer. Typical applications: Small capacity refrigeration that operates over widely varying operating conditions. |
| SBF  | Page 25 - 26 | 1/8 thru 5-1/2 | 1/8 thru 3 | 1/8 thru 3 | – | Extended ODF Solder | Same as the Type BF valve except it features ODF solder connections and a forged brass inlet fitting with a removable 100 mesh strainer which can be cleaned and/or replaced without removing the valve from the line. |
| EBF  | Page 25 - 26 | 1/8 thru 5-1/2 | 1/8 thru 3 | 1/8 thru 3 | – | Extended ODF Solder | Same as the Type BF valve except it features extended ODF connections. A 100 mesh insert strainer is provided with the valve. |
| S  | Page 27 | 2 thru 10 | 2 thru 6 | 2 thru 7 | – | ODF Solder | Brass bar body, externally adjustable valve. Inlet has a permanent 12 mesh strainer. General purpose valve for air conditioning and refrigeration applications. |
| EBS  | Page 28 | 8 thru 20 | 5 thru 12 | 6 thru 13 | – | Extended ODF Solder | Same physical size as the Type S valve except it features extended ODF connections. This valve features a balanced port construction which, depending on its capacity, makes it suitable for bi-directional operation. See page 28 for details. |

TEV QUICK REFERENCE GUIDE

| VALVE TYPE | SPECS | NOMINAL CAPACITY RANGE (Tons) | | | | CONNECTION TYPES | VALVE DESCRIPTION AND APPLICATION |
|---|--------------|-------------------------------|------------|----------------|------------|--------------------------|--|
| | | R-22 | R-134a | R-404A & R-507 | R-410A | | |
| O  | Page 29 - 30 | 15 thru 70 | 9 thru 40 | 9 thru 45 | 20 thru 60 | ODF Solder | Brass bar body, externally adjustable valve. Inlet has a permanent 12 mesh strainer. This valve features a balanced port construction, and it is suitable for both air conditioning and refrigeration applications. Optional bi-directional feature available, please contact Sporlan Division of Parker for details. |
| H  | Page 31 | 5-1/2 thru 20 | 3 thru 12 | 3 thru 12 | – | ODF Solder or FPT Flange | Brass bar body, externally adjustable valve with flange connections. Inlet flange bushing has a permanent 16 mesh strainer. The FPT flange connection requires the K-1178 adapter kit. This valve provides the smallest capacity TEVs with flange connections and it is suitable for both air conditioning and refrigeration applications. |
| M  | Page 32 | 21 thru 42 | 15 thru 25 | 15 thru 30 | – | ODF Solder or FPT Flange | Cast bronze body, externally adjustable valve with flange connections. Inlet has a 12 mesh strainer. This valve type provides valve capacities greater than the Type H and it is suitable for air conditioning and refrigeration applications. Flanges for the Type M valve are interchangeable with the Type V valve. |
| V  | Page 33 | 52 thru 100 | 35 thru 55 | 38 thru 70 | – | ODF Solder or FPT Flange | Cast bronze body, externally adjustable valve with flange connections. Inlet has a 12 mesh strainer. This valve type features a dual port semi-balanced design. This valve type provides valve capacities greater than the Type M and is suitable for air conditioning and refrigeration applications. Flanges for the Type V are interchangeable with the Type M. |
| W  | Page 34 | 135 & 180 | 80 & 110 | – | – | ODF Solder Flange | Cast bronze body, externally adjustable valve with flange connections. Inlet has a 12 mesh strainer. This valve type features a dual port semi-balanced design and it is primarily for large capacity chillers. This valve type provides the largest valve capacities available for flange connection TEVs. |

TYPE RC

For Refrigerants 22, 410A
Chatleff, SAE Flare & ODF Solder Connections

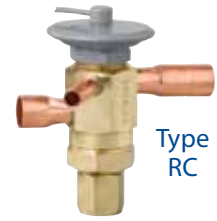
Sporlan Type RC valve is a small brass body, externally adjustable valve with balanced port construction. The RC valves are available for replacement of types CBI and CBBI valves. These valves contain internal check valves to allow reverse flow on heat pump applications. This eliminates the need for an external check valve piped around the TEV for reverse flow. The RC valve can be used on heat pump and air conditioning (cooling only) applications. This allows you to reduce inventory by

using the same valve to replace the I, BI and BBI valves. The RC valves can even be used to replace the RI valve (non-RPB versions only).

Outlet Connections
1/2" SAE, 1/2" ODF, 5/8" ODF

Mating Distributors (See Bulletin 20-10)
D260, D262, 1603, 1605, 1606, 1608, 1620, 1622, 1650(R), 1651(R)

For complete details of construction, see page 35.



SPECIFICATIONS ELEMENT SIZE NO. 43 (R-22) AND NO. 45 (R-410A), KNIFE EDGE JOINT

| REFRIGERANT (Sporlan Code) | VALVE TYPE | EXTERNAL EQUALIZER W, E | NOMINAL CAPACITY Tons of Refrigeration | THERMOSTATIC ELEMENT SIZE NO. | THERMOSTATIC CHARGES AVAILABLE | STANDARD TUBING LENGTH | CONNECTIONS - Inches Q SAE Flare/ R ODF Solder | | NET WEIGHT | SHIPPING WEIGHT | |
|--|---------------|-------------------------------|---|-------------------------------------|--------------------------------------|------------------------------|---|--------------------|---------------------|---------------------|---------------------|
| | | | | | | | INLET | OUTLET | | | |
| 22 (V) 407C (N) 407A (V) 422D (V) | RCVE-1-GA | 1/4 SAE 1/4 ODF | 1 | 43 | VGA | 30 in. 760 mm | 3/8 SAE 3/8 ODF | 1/2 SAE 1/2 ODF | 1-1/4 lbs. 568 g | 1-1/2 lbs. 680 g | |
| | RCVE-1-1/2-GA | | 1-1/2 | | | | | | | | |
| | RCVE-2-GA | | 2 | | | | | | | | |
| | RCVE-3-GA | | 3 | | | | | | | | |
| | RCVE-4-GA | | 4 | | | | | | | | |
| | RCVE-5-GA | | 5 | | | | | | | | |
| RCVE-6-GA | 6 | | | | | | | | | | |
| 410A (Z) | RCZE-1-GA | 1/4 ODF | 1 | 45 | ZGA | | 30 in. 760 mm | 3/8 ODF | 1/2 ODF | 1-1/4 lbs. 568 g | 1-1/2 lbs. 680 g |
| | RCZE-1-1/2-GA | | 1-1/2 | | | | | | | | |
| | RCZE-2-GA | | 2 | | | | | | | | |
| | RCZE-3-GA | | 3 | | | | | | | | |
| | RCZE-4-GA | | 4 | | | | | | | | |
| | RCZE-5-GA | | 5 | | | | | | | | |
| RCZE-6-GA | 6 | | | | | | | | | | |

Q Valves are also available as special order with Chatleff connections.

W Valves with SAE inlet and outlet fittings are available only with the 1/4" SAE flare external equalizer; valves with ODF fittings are available only with the 1/4" ODF external equalizer.

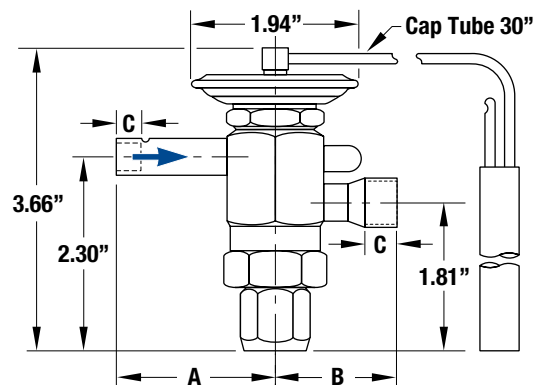
E Valves with Chatleff fittings are available only with the 1/8" OD X 24" long tube with flare and nut external equalizer.

R ODF Solder on Type RC valves indicates a female connection on the valve of proper diameter to receive copper tubing of corresponding OD size. Thus 1/2" ODF will receive 1/2" OD tubing.

DIMENSIONS

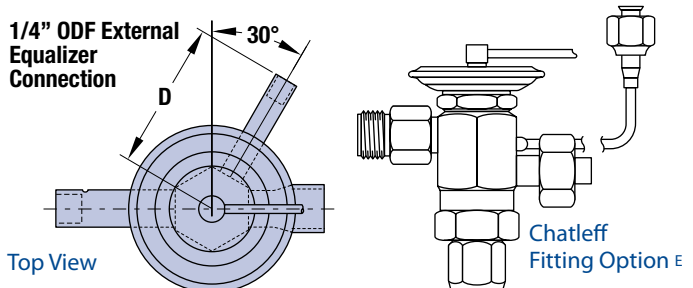
CONNECTIONS - Inches

| VALVE TYPE | FITTING SIZE | A | B | C | D |
|---------------------|--------------|------|------|------|------|
| RC | 3/8 SAE | 1.92 | - | - | 1.63 |
| | 1/2 SAE | 1.89 | 1.92 | - | 1.63 |
| | 3/8 ODF | 1.92 | 1.45 | 0.31 | 1.90 |
| | 1/2 ODF | 1.98 | 1.45 | 0.40 | 1.90 |
| | 5/8 ODF | - | 1.53 | 0.50 | 1.90 |
| RC Chatleff Fitting | | 1.89 | 1.71 | - | E |



BULB SIZES - Inches

| STANDARD CHARGES | REFRIGERANT | |
|------------------|----------------|------|
| | 22 | 410A |
| GA | 0.75 OD x 2.00 | |



TYPE ER

For Refrigerants 22, 410A
ODF Solder Connections

Sporlan Type ER valve is a small brass bar body, externally adjustable with ODF solder connections, a replaceable thermostatic element, and balanced port construction. The ER valve is designed for R-22 and R-410A air conditioning and heat pump applications and is ideal for replacing I, BI, BBI and RI (non-RPB version only) valves.

This valve type has two body styles: a small body which provides capacities up to 8 tons R-22 and R-410A, and a large body style which extends capacities to 12 tons R-22 and 15 tons R-410A.

Replacement elements available for these valves are the following: Refrigerant R-22, Element Kit Number KT-43-VGA or VCP100 for the small body style and KT-45-5-VGA or

VCP100 for the large body, and Refrigerant R-410A, Element Kit Number KT-45-ZGA or ZCP180 for the small body style and KT-45-5-ZGA or ZCP180 for the large body style.

This valve may also be applied in bi-directional applications.

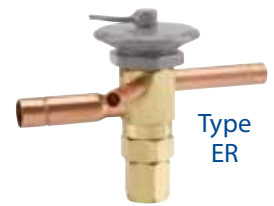
Outlet Connections

1/2" ODF, 5/8" ODF, 7/8" ODF, 1-1/8" ODF

Mating Distributors (See Bulletin 20-10)

D260, D262, 1620, 1622, 1112, 1113, 1115, 1116, 1135, 1136, 1137, 1651(R), 1653(R), 1655(R)

For complete details of construction, see page 35.



SPECIFICATIONS ELEMENT SIZE NO. 43 (R-22), NO. 45 (R-410A), AND NO. 45-5, KNIFE EDGE JOINT

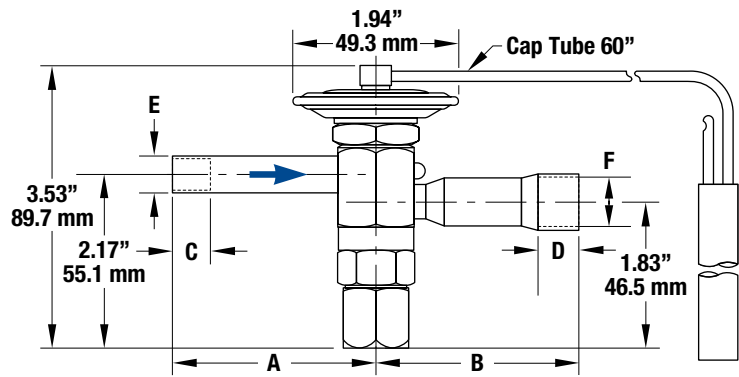
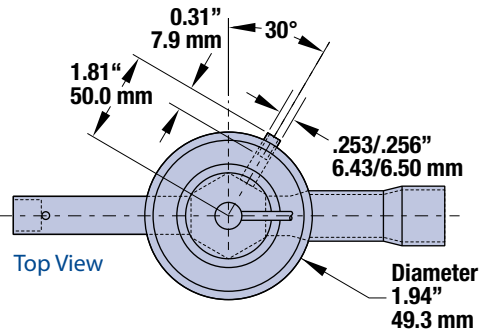
| REFRIGERANT (Sporlan Code) | VALVE TYPE | NOMINAL CAPACITY Tons of Refrigeration | THERMOSTATIC ELEMENT SIZE NO. | THERMOSTATIC CHARGES AVAILABLE | STANDARD TUBING LENGTH | CONNECTIONS -Inches Q ODF Solder Not all connection combinations are available. | | NET WEIGHT | SHIPPING WEIGHT | | | |
|--|-------------|---|-------------------------------------|--------------------------------------|------------------------------|--|------------|----------------|---------------------|-----------------|-----------------|-----|
| | | | | | | INLET | OUTLET | | | | | |
| 22 (V) 407C (N) 407A (V) 422D (V) | ERVE-1 | 1 | 43 | VGA VCP100 | 60 in. 1.5 m | 3/8 | 1/2 | 1 lb. 454 g | 1-1/2 lbs. 680 g | | | |
| | ERVE-1-1/2 | 1-1/2 | | | | | 3/8 or 1/2 | | | 1/2 or 5/8 | | |
| | ERVE-2 | 2 | | | | | | | | 1/2, 5/8 or 7/8 | | |
| | ERVE-3 | 3 | | | | 1/2 | 5/8 or 7/8 | | | | | |
| | ERVE-4 | 4 | | | | | 5/8 | | | 7/8 | | |
| | ERVE-5 | 5 | | | | 45-5 | | | | ZGA ZCP180 | 60 in. 1.5 m | 3/8 |
| | ERVE-6 | 6 | | | | | 3/8 or 1/2 | | | | | |
| | ERVE-8 | 8 | | | | | | | | | | 1/2 |
| | ERVE-10 | 10 | 5/8 or 7/8 | | | | | | | | | |
| | ERVE-12 | 12 | 7/8 | | | | | | | | | |
| 410A (Z) | ERZE-1 | 1 | 45 | ZGA ZCP180 | 60 in. 1.5 m | 3/8 | 1/2 | 1 lb. 454 g | 1-1/2 lbs. 680 g | | | |
| | ERZE-1-1/2 | 1-1/2 | | | | | 3/8 or 1/2 | | | 1/2 or 5/8 | | |
| | ERZE-2 | 2 | | | | | | | | 1/2, 5/8 or 7/8 | | |
| | ERZE-3 | 3 | | | | 1/2 | 5/8 or 7/8 | | | | | |
| | ERZE-4 | 4 | | | | | 5/8 | | | 7/8 | | |
| | ERZE-5 | 5 | | | | 45-5 | | | | ZGA ZCP180 | 60 in. 1.5 m | 3/8 |
| | ERZE-6 | 6 | | | | | 3/8 or 1/2 | | | | | |
| | ERZE-8 | 8 | | | | | | | | | | 1/2 |
| | ERZE-12-1/2 | 12-1/2 | 5/8 or 7/8 | | | | | | | | | |
| ERZE-15 | 15 | 7/8 | | | | | | | | | | |

Q ODF Solder indicates a female connection on the valve of proper diameter to receive copper tubing of corresponding OD size. Thus 1/2" ODF will receive 1/2" OD tubing.

TYPE ER

For Refrigerants 22, 410A
ODF Solder Connections

TYPE ER with NUMBER 43 and 45 ELEMENT



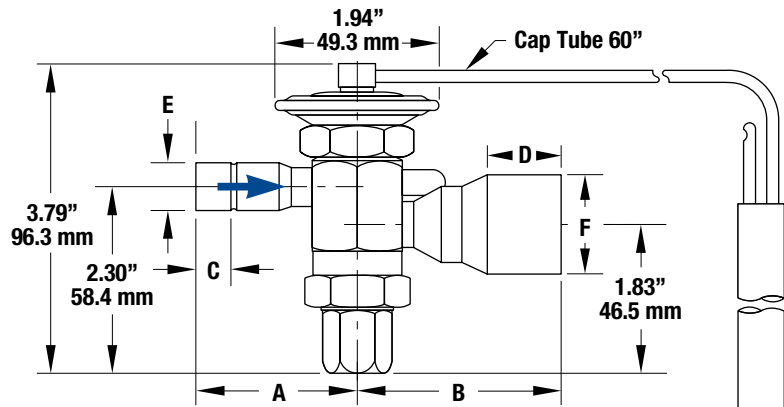
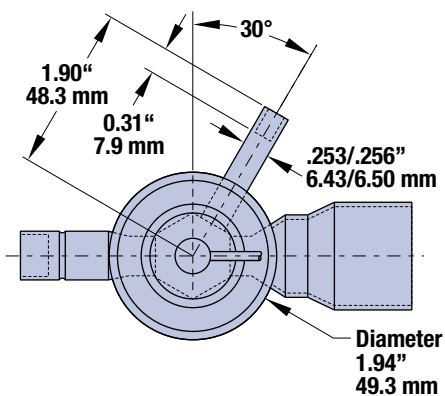
DIMENSIONS - CONNECTIONS

| REFRIGERANT | NOMINAL CAPACITY | FITTING SIZE | | A | B | C | D | E | F | |
|-------------|------------------|--------------|---------|---------|---------|--------------|--------------|--------------|--------------|--|
| | | INLET | OUTLET | | | | | | | |
| 22 410A | 1-1/2 | 3/8" | 1/2" | 2.42" | 2.51" | 0.31" | 0.40" | .377/.381" | .502/.506" | |
| | 2 | | | 61.5 mm | 63.8 mm | 7.9 mm | 10.2 mm | 9.58/9.68 mm | 12.8/12.9 mm | |
| | 3 | | | | | | | | | |
| | 4 | | | | | | | | | |
| | 5 | | | | | | | | | |
| | 3 | 1/2" | 5/8" | 2.35" | 2.51" | 0.40" | 0.50" | .502/.506" | .627/.632" | |
| | 4 | | | 59.7 mm | 63.8 mm | | 12.7 mm | | 15.9/16.1 mm | |
| | 5 | | | | | | | | | |
| | 6 | | | | | | | | | |
| | 4 | 7/8" | 7/8" | 2.41" | 2.41" | 10.2 mm | 0.78" | 12.8/12.9 mm | .877/.882" | |
| | 5 | | | 61.2 mm | 61.2 mm | | 19.8 mm | | 22.3/22.4 mm | |
| | 6 | | | | | | | | | |
| 6 | 5/8" | 7/8" | 2.35" | 2.41" | 0.50" | 0.78" | .627/.632" | .877/.882" | | |
| 8 | | | 59.7 mm | 61.2 mm | | 19.8 mm | | 22.3/22.4 mm | | |
| 8 | 8 | 1-1/8" | 0.91" | 12.7 mm | 0.91" | 15.9/16.1 mm | 1.128/1.135" | 28.7/28.8 mm | | |
| | | | 23.1 mm | 23.1 mm | | 15.9/16.1 mm | | 28.7/28.8 mm | | |

BULB SIZES

| STANDARD CHARGES | REFRIGERANT | |
|------------------|------------------|-------------------|
| | 22 | 410A |
| VCP100, ZCP180 | 0.50" OD x 3.00" | 12.7 mm x 76.2 mm |
| GA | 0.75" OD x 2.00" | 19.1 mm x 50.8 mm |

TYPE ER with NUMBER 45-5 ELEMENT



DIMENSIONS - CONNECTIONS

| REFRIGERANT | NOMINAL CAPACITY | FITTING SIZE | | A | B | C | D | E | F |
|-------------|------------------|--------------|--------|---------|---------|---------|--------------|--------------|--------------|
| | | INLET | OUTLET | | | | | | |
| 22 | 10 12 | 5/8" | 7/8" | 2.48" | 2.51" | 0.50" | 0.78" | .627/.632" | .877/.882" |
| | | | | 63.0 mm | 63.8 mm | 12.7 mm | 19.8 mm | | 22.3/22.4 mm |
| 410A | 12-1/2 15 | 1-1/8" | 1-1/8" | 0.91" | 12.7 mm | 0.91" | 15.9/16.1 mm | 1.128/1.135" | 28.7/28.8 mm |
| | | | | 23.1 mm | 23.1 mm | | 15.9/16.1 mm | | 28.7/28.8 mm |

TYPE F & EF

For Refrigerants 22, 134a, 404A, 507
SAE Flare & ODF Solder Connections

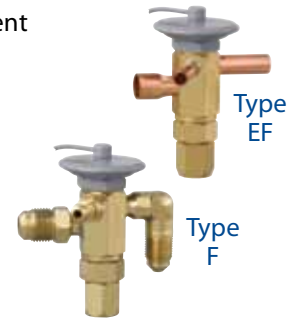
Sporlan Type F with SAE flare connections or Type EF with ODF solder connections are small brass bar body valves with identical internal construction and replaceable thermostatic elements. The Type F valve has a removable 100 mesh strainer as a standard feature. The Type EF has a 60 x 50 mesh insert strainer. These valves are designed for small refrigeration systems such as refrigerated cases, coolers, and freezers where

space is limited and an external adjustment is desired.

Outlet Connections
3/8" SAE, 1/2" SAE, 3/8" ODF, 1/2" ODF

Mating Distributors (See Bulletin 20-10)
D260, D262, 1603, 1605, 1606, 1608, 1650(R)

For complete details of construction, see page 35.



SPECIFICATIONS ELEMENT SIZE NO. 43, KNIFE EDGE JOINT

| REFRIGERANT (Sporlan Code) | TYPE F | | TYPE EF | | NOMINAL CAPACITY Tons of Refrigeration | THERMOSTATIC CHARGES AVAILABLE | STANDARD TUBING LENGTH | CONNECTIONS - Inches SAE Flare / W ODF Solder | | NET WEIGHT | SHIPPING WEIGHT |
|--|-----------------------|-----------------------|-----------------------|-----------------------|---|--------------------------------------|------------------------------|---|------------|----------------|---------------------|
| | SAE Flare | | ODF Solder | | | | | Blue figures are standard and will be furnished unless otherwise specified. | | | |
| | Internal Equalizer | External Equalizer | Internal Equalizer | External Equalizer | | | | INLET | OUTLET | | |
| 22 (V) 407C (N) 407A (V) 422D (V) | FV-1/5 | FVE-1/5 | EFV-1/5 | EFVE-1/5 | 1/5 | C Z ZP40 | 30 in. 760 mm | 1/4 or 3/8 Q | 3/8 or 1/2 | 1 lb. 454 g | 1-1/2 lbs. 680 g |
| | FV-1/3 | FVE-1/3 | EFV-1/3 | EFVE-1/3 | 1/3 | | | | | | |
| | FV-1/2 | FVE-1/2 | EFV-1/2 | EFVE-1/2 | 1/2 | | | | | | |
| | FV-1 | FVE-1 | EFV-1 | EFVE-1 | 1 | | | 3/8 E | 1/2 | | |
| | FV-1-1/2 | FVE-1-1/2 | EFV-1-1/2 | EFVE-1-1/2 | 1-1/2 | | | | | | |
| | - | FVE-2 | - | EFVE-2 | 2 | | | | | | |
| | FV-2-1/2 | - | EFV-2-1/2 | - | 2-1/2 | | | | | | |
| - | - | - | EFVE-3 | 3 | | | | | | | |
| 134a (J) 12 (F) 401A (X) 409A (F) | FJ-1/8 | FJE-1/8 | EFJ-1/8 | EFJE-1/8 | 1/8 | C | 30 in. 760 mm | 1/4 or 3/8 Q | 3/8 or 1/2 | 1 lb. 454 g | 1-1/2 lbs. 680 g |
| | FJ-1/6 | FJE-1/6 | EFJ-1/6 | EFJE-1/6 | 1/6 | | | | | | |
| | FJ-1/4 | FJE-1/4 | EFJ-1/4 | EFJE-1/4 | 1/4 | | | | | | |
| | FJ-1/2 | FJE-1/2 | EFJ-1/2 | EFJE-1/2 | 1/2 | | | 3/8 E | 1/2 | | |
| | FJ-1 | FJE-1 | EFJ-1 | EFJE-1 | 1 | | | | | | |
| | FJ-1-1/2 | FJE-1-1/2 | EFJ-1-1/2 | EFJE-1-1/2 | 1-1/2 | | | | | | |
| - | FJE-2 | - | EFJE-2 | 2 | | | | | | | |
| 404A (S) 502 (R) 408A (R) | FS-1/8 | FSE-1/8 | EFS-1/8 | EFSE-1/8 | 1/8 | C Z ZP40 | 30 in. 760 mm | 1/4 or 3/8 Q | 3/8 or 1/2 | 1 lb. 454 g | 1-1/2 lbs. 680 g |
| | FS-1/6 | FSE-1/6 | EFS-1/6 | EFSE-1/6 | 1/6 | | | | | | |
| | FS-1/4 | FSE-1/4 | EFS-1/4 | EFSE-1/4 | 1/4 | | | | | | |
| | FS-1/2 | FSE-1/2 | EFS-1/2 | EFSE-1/2 | 1/2 | | | 3/8 E | 1/2 | | |
| | FS-1 | FSE-1 | EFS-1 | EFSE-1 | 1 | | | | | | |
| | FS-1-1/2 | FSE-1-1/2 | EFS-1-1/2 | EFSE-1-1/2 | 1-1/2 | | | | | | |
| - | FSE-2 | - | EFSE-2 | 2 | | | | | | | |
| 507 (P) 402A (L) | FP-1/8 | FPE-1/8 | EFP-1/8 | EFPE-1/8 | 1/8 | C Z ZP40 | 30 in. 760 mm | 1/4 or 3/8 Q | 3/8 or 1/2 | 1 lb. 454 g | 1-1/2 lbs. 680 g |
| | FP-1/6 | FPE-1/6 | EFP-1/6 | EFPE-1/6 | 1/6 | | | | | | |
| | FP-1/4 | FPE-1/4 | EFP-1/4 | EFPE-1/4 | 1/4 | | | | | | |
| | FP-1/2 | FPE-1/2 | EFP-1/2 | EFPE-1/2 | 1/2 | | | 3/8 E | 1/2 | | |
| | FP-1 | FPE-1 | EFP-1 | EFPE-1 | 1 | | | | | | |
| | FP-1-1/2 | FPE-1-1/2 | EFP-1-1/2 | EFPE-1-1/2 | 1-1/2 | | | | | | |
| | - | FPE-2 | - | EFPE-2 | 2 | | | | | | |

Q The 3/8" SAE inlet fitting has a long taper on the flare surface. A 3/8" x 1/4" reducing flare nut will allow 1/4" OD tubing to be attached to this fitting.
W ODF Solder on Type EF valves indicates a female connection on the valve of proper diameter to receive copper tubing of corresponding OD size. Thus 1/2" ODF will receive 1/2" OD tubing.
E Nominal 1 ton and larger F valves for R-134a, R-404A and R-507 type refrigerants, and nominal 1-1/2 ton and larger for R-22 refrigerant require 3/8" SAE Flare or 3/8" ODF inlet, minimum.

TYPE F & EF

For Refrigerants 22, 134a, 404A, 507
SAE Flare & ODF Solder Connections

SAE FLARE

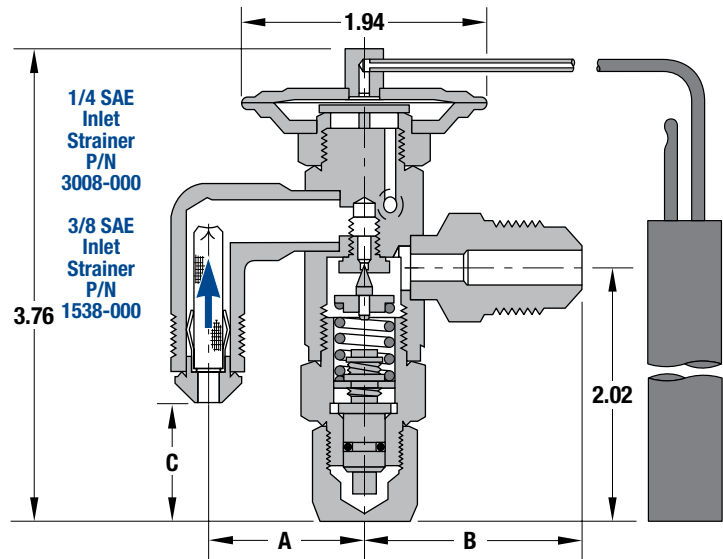
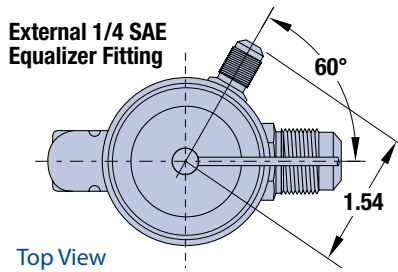
DIMENSIONS

SAE CONNECTIONS - Inches

| FITTING SIZE | A | B | C |
|---------------|------|------|------|
| 1/4 SAE Elbow | 1.05 | - | 1.34 |
| 3/8 SAE Elbow | 1.27 | - | 0.98 |
| 3/8 SAE | - | 1.61 | - |
| 1/2 SAE | - | 1.80 | - |

BULB SIZES - Inches

| STANDARD CHARGES | REFRIGERANT | | | |
|------------------|----------------|------|----------------|-----|
| | 22 | 134a | 404A | 507 |
| C | 0.50 OD x 3.00 | | | |
| Z & ZP Series | 0.50 OD x 3.00 | - | 0.50 OD x 3.00 | |



ODF SOLDER

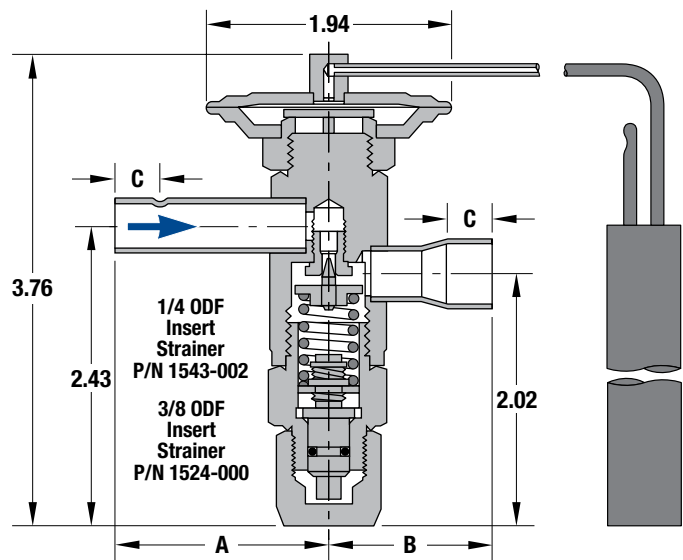
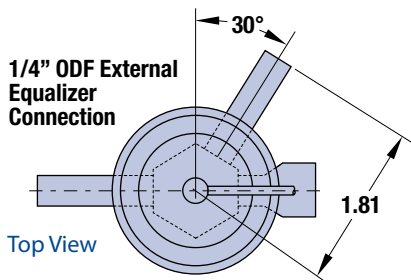
DIMENSIONS

ODF CONNECTIONS - Inches

| FITTING SIZE | A | B | C |
|--------------|------|------|------|
| 1/4 ODF | 1.69 | - | 0.31 |
| 3/8 ODF | 1.69 | 1.35 | 0.31 |
| 1/2 ODF | - | 1.35 | 0.40 |

BULB SIZES - Inches

| STANDARD CHARGES | REFRIGERANT | | | |
|------------------|----------------|------|----------------|-----|
| | 22 | 134a | 404A | 507 |
| C | 0.50 OD x 3.00 | | | |
| Z & ZP Series | 0.50 OD x 3.00 | - | 0.50 OD x 3.00 | |



TYPE Q & BQ

For Refrigerants 22, 134a, 404A, 410A*, 507
SAE Flare & Extended ODF Solder Connections

*Type Q, EQ, and SQ are not approved for R-410A applications.

The Sporlan Q & BQ series are replaceable cartridge style valves designed for small refrigeration systems, such as refrigerated cases, coolers, and freezers. The externally equalized versions of these valves are ideal for air conditioning and heat pump systems. BQ valves are balanced ported, engineered specifically for systems with a wide range of operating conditions and may be applied on bi-directional applications.

Q & BQ valves are supplied as three individual component parts: the thermostatic element, the valve body, and the replaceable cartridge or orifice. The interchangeable nature of the Q & BQ family make it ideal for reducing inventory, while increasing valve options — so, the right valve is always on hand.

BODY FEATURES

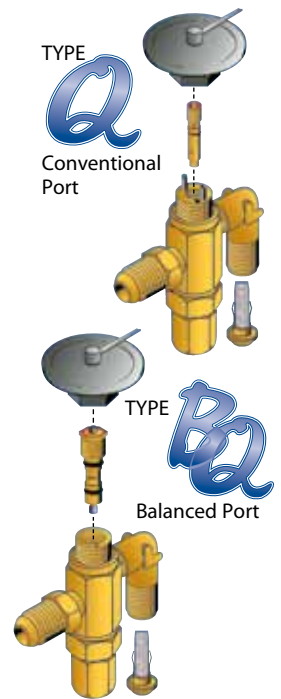
Q & BQ brass body type valves feature Sporlan's traditional knife edge, metal-to-metal thermostatic element to valve body construction, which insures a leak-proof joint.

SELECTIVE CHARGES

Sporlan selective thermostatic charges are specifically designed for low temperature, medium temperature, and air conditioning applications. The elements are manufactured with a large flat diaphragm to reduce diaphragm stresses and provide precise control. And, because Q & BQ valve bodies and thermostatic elements are supplied as independent components, the installer is able to select the best possible thermostatic charge for the application.

INTERNAL PORT DESIGN

Refrigerant flow through the valve port opposes the pin movement in all type Q and BQ valves. This provides improved stability at light loads, when the pin modulates to a position close to the port. Additionally, charge migration, is reduced or eliminated by the Q & BQ valve design. By engineering the liquid flow to enter through the top of the valve body, the liquid refrigerant warms the thermostatic element and minimizes the potential for charge migration.



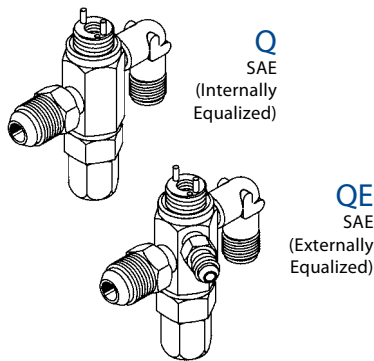
U.S. Patent No. 5,238,219
Replaceable Strainer
U.S. Patent No. 5,232,015

For complete details of construction, see page 35.

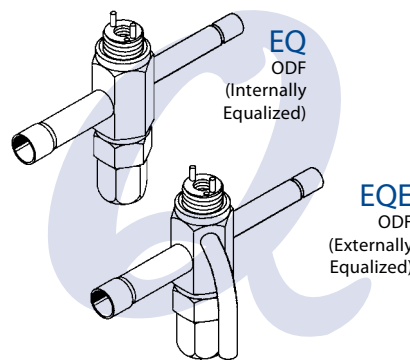
SELECTING COMPONENTS

BODY

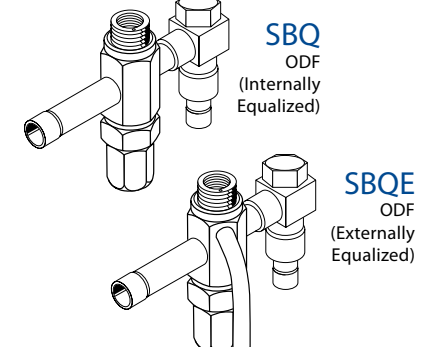
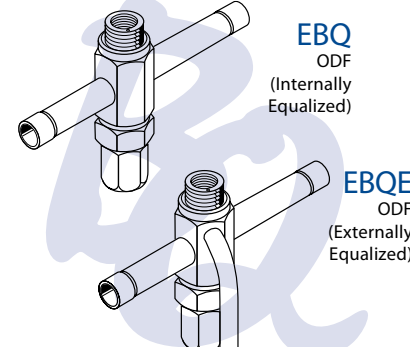
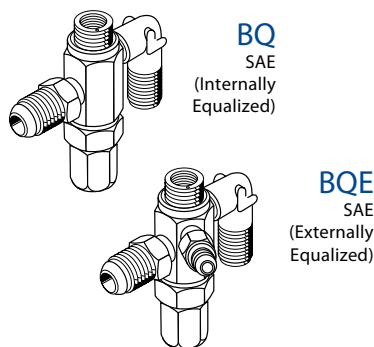
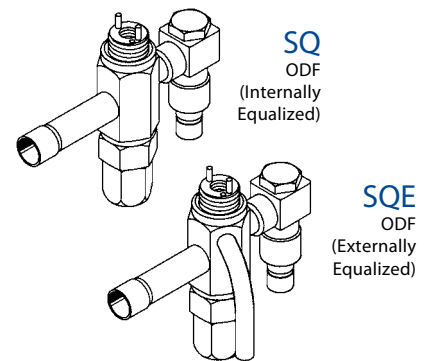
Flare Connections



Extended Solder Connections



Extended Solder Connections with Forged Inlet and Replaceable Strainer

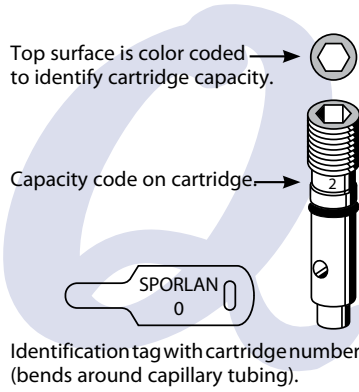


TYPE Q & BQ

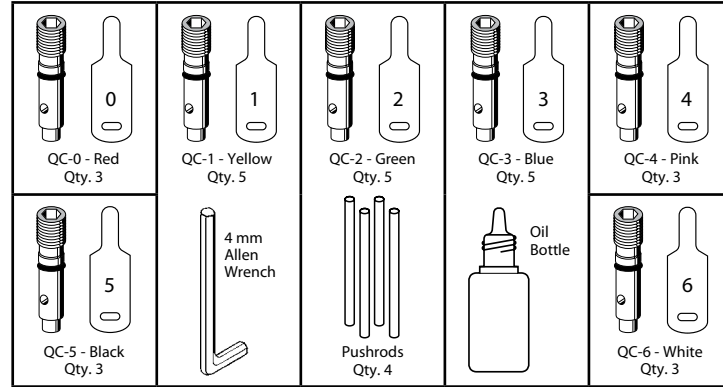
For Refrigerants 22, 134a, 404A, 410A*, 507
SAE Flare & Extended ODF Solder Connections

*Type Q, EQ, and SQ are not approved for R-410A applications.

CARTRIDGE



Q CARTRIDGE SERVICE KIT PART NUMBER 184000

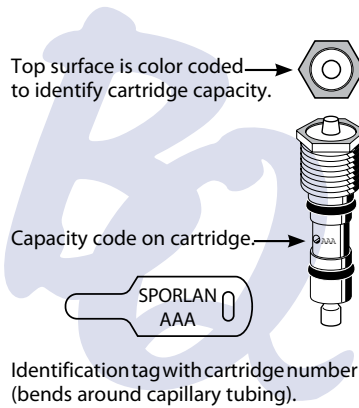


INDIVIDUAL REPLACEMENT PARTS

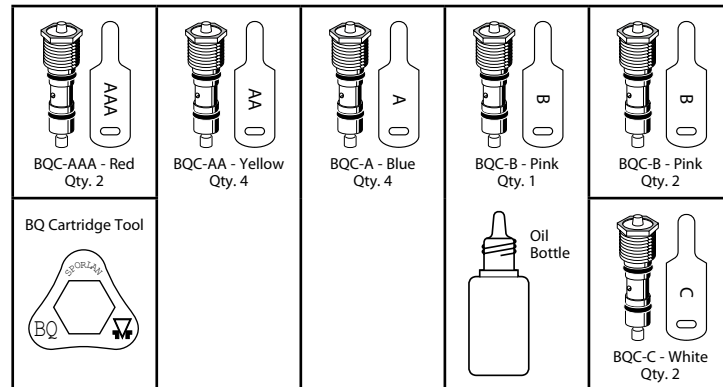
| PART NUMBER | SIZE | COLOR CODE |
|-------------------------------|---|------------|
| CARTRIDGE and I.D. TAG | | |
| QC-0 | 0 | Red |
| QC-1 | 1 | Yellow |
| QC-2 | 2 | Green |
| QC-3 | 3 | Blue |
| QC-4 | 4 | Pink |
| QC-5 | 5 | Black |
| QC-6 | 6 | White |
| MISCELLANEOUS PARTS | | |
| OB-1 | Oil Bottle (With Oil) | |
| AW-1 | 4 mm Allen Wrench | |
| CSK-1 | Q Cartridge Service Kit (Empty) | |
| 184000 | Q Cartridge Service Kit (Complete as noted above) | |

CAPACITIES

| NOMINAL CAPACITY (TONS) of SPORLAN VALVE TO BE REPLACED | | | | | | | | | Q VALVE CARTRIDGE | |
|---|--------------|--------|--------|--------|--------|--------------|-------|-------|-------------------|------------|
| R-12 | R-22, R-422D | R-134a | R-401A | R-402A | R-404A | R-410A | R-502 | R-507 | SIZE | COLOR CODE |
| 1/8 | 1/4 | 1/8 | 1/8 | 1/8 | 1/8 | NOT APPROVED | 1/8 | 1/8 | 0 | Red |
| 1/6 | 1/3 | 1/6 | 1/6 | 1/6 | 1/6 | | 1/6 | 1/6 | | |
| 1/4 | 1/2 | 1/4 | 1/4 | 1/4 | 1/4 | | 1/4 | 1/4 | 1 | Yellow |
| | 3/4 | | | | | | 1/2 | 1/2 | 2 | Green |
| 1/2 | 1 | 1/2 | 1/2 | 1/2 | 1/2 | | 1 | 1 | 3 | Blue |
| 1 | 1-1/2 | 1 | 1 | 1 | 1 | | 1-1/2 | 1-1/2 | 4 | Pink |
| 1-1/2 | 2 | 1-1/2 | 1-1/2 | 1-1/2 | 1-1/2 | | | | | |
| 2 | 3 | 2 | 2 | 2 | 2 | | 3 | 3 | 6 | White |
| 2-1/2 | 4 | 2-1/2 | 2-1/2 | 3 | 3 | | | | | |
| 3 | 5 | 3 | 3 | | | | | | | |



BQ CARTRIDGE SERVICE KIT PART NUMBER 184007



INDIVIDUAL REPLACEMENT PARTS

| PART NUMBER | SIZE | COLOR CODE |
|--------------------------------|--|------------|
| CARTRIDGE and I.D. TAG* | | |
| BQC-AAA | AAA | Red |
| BQC-AA | AA | Yellow |
| BQC-A | A | Blue |
| BQC-B | B | Pink |
| BQC-C | C | White |
| MISCELLANEOUS PARTS | | |
| OB-1 | Oil Bottle (With Oil) | |
| 4444-000 | BQ Cartridge Tool | |
| CSK-1 | BQ Cartridge Service Kit (Empty) | |
| 184007 | BQ Cartridge Service Kit (Complete as noted above) | |

CAPACITIES

| NOMINAL CAPACITY (TONS) of SPORLAN VALVE TO BE REPLACED | | | | | | | | | BQ VALVE CARTRIDGE | |
|---|------------------|------------------|------------------|--------------|--------------|--------------|--------------|--------------|--------------------|------------|
| R-12 | R-22, R-422D | R-134a | R-401A | R-402A | R-404A | R-410A | R-502 | R-507 | SIZE | COLOR CODE |
| 1/8 thru 1/5 | 1/8 thru 1/3 | 1/8 thru 1/5 | 1/8 thru 1/5 | 1/8 thru 1/5 | 1/8 thru 1/5 | 1/4 thru 1/3 | 1/8 thru 1/5 | 1/8 thru 1/5 | AAA | Red |
| 1/4 thru 1/3 | 1/2 thru 2/3 | 1/4 thru 1/3 | 1/4 thru 1/3 | 1/4 thru 1/3 | 1/4 thru 1/3 | 1/2 thru 3/4 | 1/4 thru 1/3 | 1/4 thru 1/3 | AA | Yellow |
| 1/2 thru 1 | 3/4 thru 1-1/2 | 1/2 thru 1 | 1/2 thru 1 | 1/2 thru 1 | 1/2 thru 1 | 1 thru 1-3/4 | 1/2 thru 1 | 1/2 thru 1 | A | Blue |
| 1-1/4 thru 1-3/4 | 1-3/4 thru 3 | 1-1/4 thru 1-3/4 | 1-1/4 thru 1-3/4 | 1-1/4 thru 2 | 1-1/4 thru 2 | 2 thru 3-1/2 | 1-1/4 thru 2 | 1-1/4 thru 2 | B | Pink |
| 2 thru 3 | 3-1/4 thru 5-1/2 | 2 thru 3 | 2 thru 3 | 2-1/4 thru 3 | 2-1/4 thru 3 | 4 thru 6 | 2-1/4 thru 3 | 2-1/4 thru 3 | C | White |

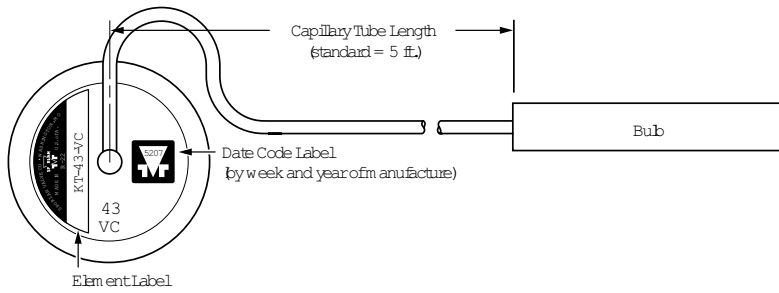
*BQC with B15 (15% bleed port) is available.

TYPE Q & BQ

For Refrigerants 22, 134a, 404A, 410A*, 507
SAE Flare & Extended ODF Solder Connections

*Type Q, EQ, and SQ are not approved for R-410A applications.

ELEMENT



SPORLAN REFRIGERANT CODE

| ELEMENT | LABEL | COLOR CODE |
|---------|--------------|-------------|
| F | R-12 | Yellow |
| V | R-22, R-422D | Green |
| J | R-134a | Blue |
| X | R-401A | Pink |
| L | R-402A | Sand |
| S | R-404A | Orange |
| V | R-407A | Green |
| N | R-407C | Light Brown |
| R | R-408A | Purple |
| F | R-409A | Yellow |
| Z | R-410A | Pink |
| R | R-502 | Purple |
| P | R-507 | Teal |

| | | | |
|------------------------|---------------------|--------------------|---------------------|
| KT | 43 | V | C |
| Abbreviation for "Kit" | Element Size Number | Refrigerant Code Q | Thermostatic Charge |

Q While many new refrigerants and refrigerant blends have a unique letter code, many use the same thermostatic element as the traditional refrigerant they replace. Refer to the table below to select the correct thermostatic element.

RECOMMENDED THERMOSTATIC ELEMENTS**

| APPLICATION | REFRIGERANT | | | | | | | | | | | | | THERMOSTATIC ELEMENT | SYSTEM MOP psig |
|--|-------------|----------|------|------|------|------|------|------|------|------|------|-----|-----------|----------------------|-----------------|
| | 12 | 22, 422D | 134a | 401A | 402A | 404A | 407A | 407C | 408A | 409A | 410A | 502 | 507 | | |
| Air Conditioning | X | - | X | X | - | - | - | - | - | X | - | - | - | KT-43-JCP60 | 50 |
| | - | X | - | - | - | - | X | X | - | - | - | - | - | KT-43-VCP100 | 90 |
| | - | X | - | - | - | - | X | X | - | - | - | - | - | KT-43-VGA | - |
| | - | - | - | - | - | X | - | - | X | - | - | X | - | KT-43-SCP115 | 105 |
| | - | - | - | - | - | - | - | - | - | - | X | - | - | KT-45-ZGA | - |
| Commercial Refrigeration 50°F to -10°F | X | - | X | X | - | - | - | - | - | X | - | - | - | KT-43-JC | - |
| | - | X | - | - | - | - | X | X | - | - | - | - | - | KT-43-VC | - |
| | - | - | - | - | X | - | - | - | X | - | - | X | - | KT-43-SC | - |
| | - | - | - | - | - | X | - | - | - | - | - | - | X | KT-43-PC | - |
| Low Temperature Refrigeration 0°F to -40°F | X | - | - | - | - | - | - | - | - | - | - | - | - | KT-43-JZ | - |
| | X | - | - | - | - | - | - | - | - | - | - | - | - | KT-43-JZP | 12 |
| | - | X | - | - | - | - | - | - | - | - | - | - | - | KT-43-VZ | - |
| | - | X | - | - | - | - | - | - | - | - | - | - | - | KT-43-VZP40 | 30 |
| | - | - | - | - | X | X | - | - | X | - | - | X | X | KT-43-SZ | - |
| - | - | - | - | X | X | - | - | X | - | - | X | X | KT-43-SZP | 35 | |

**APPLICATION FACTORS:

- The Sporlan Type ZP thermostatic charges have essentially the same characteristics as the conventional Z cross charges with one exception: they produce a pressure limiter MOP. The ZP charges are not intended as replacements for the Z charges - they should only be used where a definite pressure limit is required to prevent motor overloading.
- All air conditioning and heat pump charges are intended for use with externally equalized valves.
- For dual temperature applications, use the "C" charge.
- The "C" charge may be used on applications down to -30°F on R-22, R-404A and R-507.
- R-410A elements for use with BQ, EBQ, and SBQ only.

ORDERING INSTRUCTIONS VALVE NOMENCLATURE

| BODY | CARTRIDGE | ELEMENT |
|---|-----------------------------|---|
| QE Valve Type Q, EQ, SQ Internally Equalized QE, EQE, SQE Externally Equalized | QC Cartridge Type | KT-43 Element Kit KT-43 |
| 3/8 x 1/2 x 1/4 SAE Connection Size and Style: Inlet x Outlet x External Equalizer | 2 Cartridge Size | V Refrigerant Code (See above) |
| | | C Thermostatic Charge |
| | | 5' Capillary Tube Length |

| BODY | CARTRIDGE | ELEMENT |
|---|------------------------------|---|
| BQE Valve Type BQ, EBQ, SBQ Internally Equalized BQE, EBQE, SBQE Externally Equalized | BQC Cartridge Type | KT-43 Element Kit KT-43 or KT-45 (R-410A only) |
| 3/8 x 1/2 x 1/4 SAE Connection Size and Style: Inlet x Outlet x External Equalizer | AA Cartridge Size | V Refrigerant Code (See above) |
| | | C Thermostatic Charge |
| | | 5' Capillary Tube Length |

TYPE Q & BQ

For Refrigerants 22, 134a, 404A, 410A*, 507
SAE Flare & Extended ODF Solder Connections

*Type Q, EQ, and SQ are not approved for R-410A applications.

Q SPECIFICATIONS ELEMENT SIZE NO. 43, KNIFE EDGE JOINT

| REFRIGERANT (Sporlan Code) | BODY TYPE - CARTRIDGE | | | | | | CARTRIDGE | NOMINAL CAPACITY Tons of Refrigeration | THERMOSTATIC CHARGES AVAILABLE | STANDARD TUBING LENGTH | CONNECTIONS Inches Blue figures are standard and will be furnished unless otherwise specified. INLET x OUTLET | NET WEIGHT | SHIPPING WEIGHT |
|--|----------------------------|----------------------------|----------------------------|----------------------------|----------------------------|----------------------------|-----------|---|--|---------------------------|---|----------------|------------------------|
| | SAE Flare | | Extended ODF Solder | | | | | | | | | | |
| | Internal Equalizer Q | External Equalizer W | Internal Equalizer Q | External Equalizer W | Internal Equalizer Q | External Equalizer W | | | | | | | |
| 22 (V) 407C (N) 407A (V) 422D (V) | Q-0 | QE-0 | EQ-0 | EQE-0 | SQ-0 | SQE-0 | 0 | 1/3 | Refer to Recommended Thermostatic Elements on Page 19 | 5 ft. 1.5 m | Q & QE Only 1/4 x 3/8 SAE 90° Angle Inlet or 1/4 x 1/2 SAE 90° Angle Inlet or 3/8 x 1/2 SAE 90° Angle Inlet EQ Only 3/8 x 1/2 ODF Straight Thru EQE Only 3/8 x 1/2 ODF Straight Thru or 3/8 x 5/8 ODF Straight Thru or 1/2 x 5/8 ODF Straight Thru or 1/2 x 7/8 ODF Straight Thru SQ & SQE Only 3/8 x 1/2 ODF 90° Angle Inlet | 1 lb. 454 g | 1-1/2 lbs. 680 g |
| | Q-1 | QE-1 | EQ-1 | EQE-1 | SQ-1 | SQE-1 | 1 | 3/4 | | | | | |
| | Q-2 | QE-2 | EQ-2 | EQE-2 | SQ-2 | SQE-2 | 2 | 1 | | | | | |
| | Q-3 | QE-3 | EQ-3 | EQE-3 | SQ-3 | SQE-3 | 3 | 1-1/2 | | | | | |
| | Q-4 | QE-4 | EQ-4 | EQE-4 | SQ-4 | SQE-4 | 4 | 2-1/2 | | | | | |
| | Q-5 | QE-5 | EQ-5 | EQE-5 | SQ-5 | SQE-5 | 5 | 3-1/2 | | | | | |
| | Q-6 | QE-6 | EQ-6 | EQE-6 | SQ-6 | SQE-6 | 6 | 5 | | | | | |
| 134a (J) 12 (F) 401A (X) 409A (F) | Q-0 | QE-0 | EQ-0 | EQE-0 | SQ-0 | SQE-0 | 0 | 1/6 | | | | | |
| | Q-1 | QE-1 | EQ-1 | EQE-1 | SQ-1 | SQE-1 | 1 | 1/4 | | | | | |
| | Q-2 | QE-2 | EQ-2 | EQE-2 | SQ-2 | SQE-2 | 2 | 1/2 | | | | | |
| | Q-3 | QE-3 | EQ-3 | EQE-3 | SQ-3 | SQE-3 | 3 | 1 | | | | | |
| | Q-4 | QE-4 | EQ-4 | EQE-4 | SQ-4 | SQE-4 | 4 | 1-1/2 | | | | | |
| | Q-5 | QE-5 | EQ-5 | EQE-5 | SQ-5 | SQE-5 | 5 | 2 | | | | | |
| | Q-6 | QE-6 | EQ-6 | EQE-6 | SQ-6 | SQE-6 | 6 | 2-1/2 | | | | | |
| 404A (S) 502 (R) 408A (R) | Q-0 | QE-0 | EQ-0 | EQE-0 | SQ-0 | SQE-0 | 0 | 1/6 | | | | | |
| | Q-1 | QE-1 | EQ-1 | EQE-1 | SQ-1 | SQE-1 | 1 | 1/4 | | | | | |
| | Q-2 | QE-2 | EQ-2 | EQE-2 | SQ-2 | SQE-2 | 2 | 1/2 | | | | | |
| | Q-3 | QE-3 | EQ-3 | EQE-3 | SQ-3 | SQE-3 | 3 | 1 | | | | | |
| | Q-4 | QE-4 | EQ-4 | EQE-4 | SQ-4 | SQE-4 | 4 | 1-1/2 | | | | | |
| | Q-5 | QE-5 | EQ-5 | EQE-5 | SQ-5 | SQE-5 | 5 | 2 | | | | | |
| | Q-6 | QE-6 | EQ-6 | EQE-6 | SQ-6 | SQE-6 | 6 | 3 | | | | | |
| 507 (P) 402A (L) | Q-0 | QE-0 | EQ-0 | EQE-0 | SQ-0 | SQE-0 | 0 | 1/6 | | | | | |
| | Q-1 | QE-1 | EQ-1 | EQE-1 | SQ-1 | SQE-1 | 1 | 1/4 | | | | | |
| | Q-2 | QE-2 | EQ-2 | EQE-2 | SQ-2 | SQE-2 | 2 | 1/2 | | | | | |
| | Q-3 | QE-3 | EQ-3 | EQE-3 | SQ-3 | SQE-3 | 3 | 1 | | | | | |
| | Q-4 | QE-4 | EQ-4 | EQE-4 | SQ-4 | SQE-4 | 4 | 1-1/2 | | | | | |
| | Q-5 | QE-5 | EQ-5 | EQE-5 | SQ-5 | SQE-5 | 5 | 2 | | | | | |
| | Q-6 | QE-6 | EQ-6 | EQE-6 | SQ-6 | SQE-6 | 6 | 3 | | | | | |

BQ SPECIFICATIONS ELEMENT SIZE NO. 43 (R-22) and NO. 45 (R-410A), KNIFE EDGE JOINT

| REFRIGERANT (Sporlan Code) | BODY TYPE - CARTRIDGE | | | | | | CARTRIDGE | NOMINAL CAPACITY Tons of Refrigeration | THERMOSTATIC CHARGES AVAILABLE | STANDARD TUBING LENGTH | CONNECTIONS Inches Blue figures are standard and will be furnished unless otherwise specified. INLET x OUTLET | NET WEIGHT | SHIPPING WEIGHT |
|--|----------------------------|----------------------------|----------------------------|----------------------------|----------------------------|----------------------------|------------------|---|--|---------------------------|--|----------------|------------------------|
| | SAE Flare | | Extended ODF Solder | | | | | | | | | | |
| | Internal Equalizer Q | External Equalizer W | Internal Equalizer Q | External Equalizer W | Internal Equalizer Q | External Equalizer W | | | | | | | |
| 22 (V) 407C (N) 407A (V) 422D (V) | BQ-AAA | BQE-AAA | EBQ-AAA | EBQE-AAA | SBQ-AAA | SBQE-AAA | AAA | 1/8 thru 1/3 | Refer to Recommended Thermostatic Elements on Page 19 | 5 ft. 1.5 m | BQ & BQE 1/4 x 3/8 SAE 90° Angle Inlet or 1/4 x 1/2 SAE 90° Angle Inlet or 3/8 x 1/2 SAE 90° Angle Inlet EBQ Only 3/8 x 1/2 ODF R Straight Thru EBQE Only 3/8 x 1/2 ODF R Straight Thru or 3/8 x 1/2 ODF R 90° Angle Inlet or 1/2 x 5/8 ODF R Straight Thru or 1/2 x 7/8 ODF R Straight Thru SBQ & SBQE Only 3/8 x 1/2 ODF R 90° Angle Inlet | 1 lb. 454 g | 1-1/2 lbs. 680 g |
| | BQ-AA | BQE-AA | EBQ-AA | EBQE-AA | SBQ-AA | SBQE-AA | AA | 1/2 thru 2/3 | | | | | |
| | BQ-A | BQE-A | EBQ-A | EBQE-A | SBQ-A | SBQE-A | A | 3/4 thru 1-1/2 | | | | | |
| | BQ-B | BQE-B | EBQ-B | EBQE-B | SBQ-B | SBQE-B | B | 1-3/4 thru 3 | | | | | |
| BQ-C | BQE-C | EBQ-C | EBQE-C | SBQ-C | SBQE-C | C | 3-1/4 thru 5-1/2 | | | | | | |
| 134a (J) 12 (F) 401A (X) 409A (F) | BQ-AAA | BQE-AAA | EBQ-AAA | EBQE-AAA | SBQ-AAA | SBQE-AAA | AAA | 1/8 thru 1/5 | | | | | |
| | BQ-AA | BQE-AA | EBQ-AA | EBQE-AA | SBQ-AA | SBQE-AA | AA | 1/4 thru 1/3 | | | | | |
| | BQ-A | BQE-A | EBQ-A | EBQE-A | SBQ-A | SBQE-A | A | 1/2 thru 1 | | | | | |
| | BQ-B | BQE-B | EBQ-B | EBQE-B | SBQ-B | SBQE-B | B | 1-1/4 thru 1-3/4 | | | | | |
| BQ-C | BQE-C | EBQ-C | EBQE-C | SBQ-C | SBQE-C | C | 2 thru 3 | | | | | | |
| 404A (S) 502 (R) 408A (R) | BQ-AAA | BQE-AAA | EBQ-AAA | EBQE-AAA | SBQ-AAA | SBQE-AAA | AAA | 1/8 thru 1/5 | | | | | |
| | BQ-AA | BQE-AA | EBQ-AA | EBQE-AA | SBQ-AA | SBQE-AA | AA | 1/4 thru 1/3 | | | | | |
| | BQ-A | BQE-A | EBQ-A | EBQE-A | SBQ-A | SBQE-A | A | 1/2 thru 1 | | | | | |
| | BQ-B | BQE-B | EBQ-B | EBQE-B | SBQ-B | SBQE-B | B | 1-1/4 thru 2 | | | | | |
| BQ-C | BQE-C | EBQ-C | EBQE-C | SBQ-C | SBQE-C | C | 2-1/4 thru 3 | | | | | | |
| 410A (Z) | BQ-AAA | BQE-AAA | EBQ-AAA | EBQE-AAA | SBQ-AAA | SBQE-AAA | AAA | 1/4 thru 1/3 | | | | | |
| | BQ-AA | BQE-AA | EBQ-AA | EBQE-AA | SBQ-AA | SBQE-AA | AA | 1/2 thru 3/4 | | | | | |
| | BQ-A | BQE-A | EBQ-A | EBQE-A | SBQ-A | SBQE-A | A | 1 thru 1-3/4 | | | | | |
| | BQ-B | BQE-B | EBQ-B | EBQE-B | SBQ-B | SBQE-B | B | 2 thru 3-1/12 | | | | | |
| BQ-C | BQE-C | EBQ-C | EBQE-C | SBQ-C | SBQE-C | C | 4 thru 6 | | | | | | |
| 507 (P) 402A (L) | BQ-AAA | BQE-AAA | EBQ-AAA | EBQE-AAA | SBQ-AAA | SBQE-AAA | AAA | 1/8 thru 1/5 | | | | | |
| | BQ-AA | BQE-AA | EBQ-AA | EBQE-AA | SBQ-AA | SBQE-AA | AA | 1/4 thru 1/3 | | | | | |
| | BQ-A | BQE-A | EBQ-A | EBQE-A | SBQ-A | SBQE-A | A | 1/2 thru 1 | | | | | |
| | BQ-B | BQE-B | EBQ-B | EBQE-B | SBQ-B | SBQE-B | B | 1-1/4 thru 2 | | | | | |
| BQ-C | BQE-C | EBQ-C | EBQE-C | SBQ-C | SBQE-C | C | 2-1/4 thru 3 | | | | | | |

Q Valves listed in the column are NOT AVAILABLE with MOP type air conditioning charges.

W Standard External Equalizer 1/4" SAE (Q and BQ Body), 1/4" ODF (SQ, SBQ, EQ and EBQ Body).

E The 3/8" SAE inlet fitting has a long taper on the flare surface. A 3/8" x 1/4" reducing flare nut will allow 1/4" OD tubing to be attached to this fitting.

R ODF Solder indicates a female connection on the valve of proper diameter to receive copper tubing of corresponding OD size. Thus 1/2" ODF will receive 1/2" OD tubing.

TYPE Q & BQ

For Refrigerants 22, 134a, 404A, 410A*, 507
SAE Flare & Extended ODF Solder Connections

*Type Q, EQ, and SQ are not approved for R-410A applications.

| TYPE QE | TYPE BQE | | | | | | | | | | | | | | | | | | | | |
|--|--|--------------|------|---|---|--------------------|------|---|------|--------------------|------|---|------|---------|---|------|---|---------|---|------|---|
| <p>1/4 SAE Inlet Strainer P/N 3008-000 3/8 SAE Inlet Strainer P/N 1538-000</p> | <p>1/4 SAE Inlet Strainer P/N 3008-000 3/8 SAE Inlet Strainer P/N 1538-000</p> | | | | | | | | | | | | | | | | | | | | |
| <p>QE & BQE DIMENSIONS CONNECTIONS - Inches</p> <table border="1" style="margin: auto;"> <thead> <tr> <th>FITTING SIZE</th> <th>A</th> <th>B</th> <th>C</th> </tr> </thead> <tbody> <tr> <td>1/4 SAE, 90° Angle</td> <td>1.19</td> <td>-</td> <td>1.44</td> </tr> <tr> <td>3/8 SAE, 90° Angle</td> <td>1.35</td> <td>-</td> <td>1.08</td> </tr> <tr> <td>3/8 SAE</td> <td>-</td> <td>1.61</td> <td>-</td> </tr> <tr> <td>1/2 SAE</td> <td>-</td> <td>1.80</td> <td>-</td> </tr> </tbody> </table> | | FITTING SIZE | A | B | C | 1/4 SAE, 90° Angle | 1.19 | - | 1.44 | 3/8 SAE, 90° Angle | 1.35 | - | 1.08 | 3/8 SAE | - | 1.61 | - | 1/2 SAE | - | 1.80 | - |
| FITTING SIZE | A | B | C | | | | | | | | | | | | | | | | | | |
| 1/4 SAE, 90° Angle | 1.19 | - | 1.44 | | | | | | | | | | | | | | | | | | |
| 3/8 SAE, 90° Angle | 1.35 | - | 1.08 | | | | | | | | | | | | | | | | | | |
| 3/8 SAE | - | 1.61 | - | | | | | | | | | | | | | | | | | | |
| 1/2 SAE | - | 1.80 | - | | | | | | | | | | | | | | | | | | |
| <p>Top View 60° 1.54</p> | | | | | | | | | | | | | | | | | | | | | |

| TYPE EQE | TYPE EBQE | | | | | | | | | | | | | | | | | | | | |
|---|--|--------------|------|---|---|-----|------|---|------|-----|------|------|------|-----|---|------|------|-----|---|------|------|
| <p>3/8 ODF Insert Strainer P/N 877-003 1/2 ODF Insert Strainer P/N 877-004</p> | <p>3/8 ODF Insert Strainer P/N 877-003 1/2 ODF Insert Strainer P/N 877-004</p> | | | | | | | | | | | | | | | | | | | | |
| <p>EQE & EBQE DIMENSIONS CONNECTIONS - Inches</p> <table border="1" style="margin: auto;"> <thead> <tr> <th>FITTING SIZE</th> <th>A</th> <th>B</th> <th>C</th> </tr> </thead> <tbody> <tr> <td>3/8</td> <td>2.50</td> <td>-</td> <td>0.31</td> </tr> <tr> <td>1/2</td> <td>2.42</td> <td>2.48</td> <td>0.40</td> </tr> <tr> <td>5/8</td> <td>-</td> <td>2.48</td> <td>0.50</td> </tr> <tr> <td>7/8</td> <td>-</td> <td>2.39</td> <td>0.78</td> </tr> </tbody> </table> | | FITTING SIZE | A | B | C | 3/8 | 2.50 | - | 0.31 | 1/2 | 2.42 | 2.48 | 0.40 | 5/8 | - | 2.48 | 0.50 | 7/8 | - | 2.39 | 0.78 |
| FITTING SIZE | A | B | C | | | | | | | | | | | | | | | | | | |
| 3/8 | 2.50 | - | 0.31 | | | | | | | | | | | | | | | | | | |
| 1/2 | 2.42 | 2.48 | 0.40 | | | | | | | | | | | | | | | | | | |
| 5/8 | - | 2.48 | 0.50 | | | | | | | | | | | | | | | | | | |
| 7/8 | - | 2.39 | 0.78 | | | | | | | | | | | | | | | | | | |
| <p>Top View 60° 1.87</p> | | | | | | | | | | | | | | | | | | | | | |

| TYPE SQE | TYPE SBQE | | | | | | | | | | | | | | | | | | | | | | | | | | | | | | | | | | | | |
|--|--|------------------|----------------|----------------|----------------|----------------|----|------|------|------|-----|---|----------------|--|--|--|---|----------------|---------------|----------------|---|----------------|---|----------------|-----------|----------------|--|--|--|---|---|----|----------------|---|---|----------------|---|
| <p>Removable Strainer P/N 3427-000</p> | <p>Removable Strainer P/N 3427-000</p> | | | | | | | | | | | | | | | | | | | | | | | | | | | | | | | | | | | | |
| <p>Top View 60° 1.87</p> | | | | | | | | | | | | | | | | | | | | | | | | | | | | | | | | | | | | | |
| <p>BULB SIZES - Inches</p> <table border="1" style="margin: auto;"> <thead> <tr> <th rowspan="2">STANDARD CHARGES</th> <th colspan="4">REFRIGERANT</th> </tr> <tr> <th>22</th> <th>134a</th> <th>404A</th> <th>410A</th> <th>507</th> </tr> </thead> <tbody> <tr> <td>C</td> <td colspan="4">0.50 OD x 3.00</td> <td>-</td> <td>0.50 OD x 3.00</td> </tr> <tr> <td>Z & ZP Series</td> <td>0.50 OD x 3.00</td> <td>-</td> <td>0.50 OD x 3.00</td> <td>-</td> <td>0.50 OD x 3.00</td> </tr> <tr> <td>CP Series</td> <td colspan="4">0.50 OD x 3.00</td> <td>-</td> <td>-</td> </tr> <tr> <td>GA</td> <td>0.75 OD x 2.00</td> <td>-</td> <td>-</td> <td>0.75 OD x 2.00</td> <td>-</td> </tr> </tbody> </table> | | STANDARD CHARGES | REFRIGERANT | | | | 22 | 134a | 404A | 410A | 507 | C | 0.50 OD x 3.00 | | | | - | 0.50 OD x 3.00 | Z & ZP Series | 0.50 OD x 3.00 | - | 0.50 OD x 3.00 | - | 0.50 OD x 3.00 | CP Series | 0.50 OD x 3.00 | | | | - | - | GA | 0.75 OD x 2.00 | - | - | 0.75 OD x 2.00 | - |
| STANDARD CHARGES | REFRIGERANT | | | | | | | | | | | | | | | | | | | | | | | | | | | | | | | | | | | | |
| | 22 | 134a | 404A | 410A | 507 | | | | | | | | | | | | | | | | | | | | | | | | | | | | | | | | |
| C | 0.50 OD x 3.00 | | | | - | 0.50 OD x 3.00 | | | | | | | | | | | | | | | | | | | | | | | | | | | | | | | |
| Z & ZP Series | 0.50 OD x 3.00 | - | 0.50 OD x 3.00 | - | 0.50 OD x 3.00 | | | | | | | | | | | | | | | | | | | | | | | | | | | | | | | | |
| CP Series | 0.50 OD x 3.00 | | | | - | - | | | | | | | | | | | | | | | | | | | | | | | | | | | | | | | |
| GA | 0.75 OD x 2.00 | - | - | 0.75 OD x 2.00 | - | | | | | | | | | | | | | | | | | | | | | | | | | | | | | | | | |

TYPE G

For Refrigerants 22, 134a, 404A, 507
SAE Flare Connections

Sporlan Type G valve is a forged brass body, externally adjustable valve with SAE flare connections. The thermostatic element is replaceable, and the inlet connection has a removable 100 mesh strainer. This valve is designed for small refrigeration systems such as refrigerated cases, coolers and freezers. In addition to refrigeration applications, the externally equalized Type G valve may be used for small capacity air conditioning and heat pump units.

Outlet Connections
1/2" SAE

Mating Distributors (See Bulletin 20-10)
1603, 1605, 1606, 1608, 1650(R)

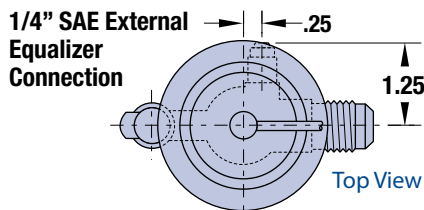
For complete details of construction, see page 35.



SPECIFICATIONS ELEMENT SIZE NO. 53, KNIFE EDGE JOINT

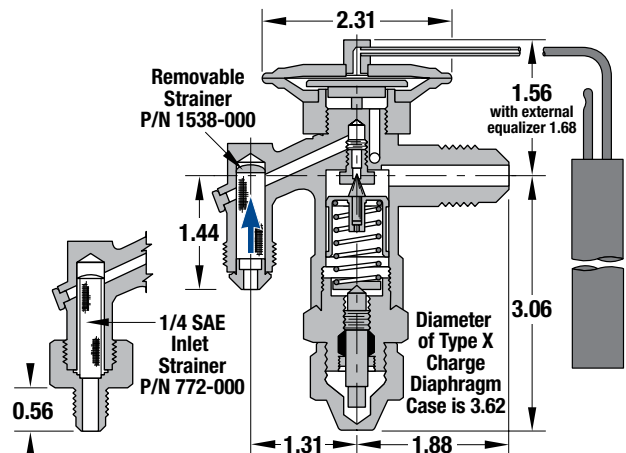
| REFRIGERANT (Sporlan Code) | VALVE TYPE | | NOMINAL CAPACITY Tons of Refrigeration | THERMOSTATIC CHARGES AVAILABLE | STANDARD TUBING LENGTH | CONNECTIONS - Inches SAE Flare <small>Blue figures are standard and will be furnished unless otherwise specified.</small> | | NET WEIGHT | SHIPPING WEIGHT |
|--|----------------------------|--|---|--|------------------------------|---|--------|-------------------|--------------------|
| | Internal Equalizer Q | External Equalizer 1/4" SAE Flare | | | | INLET | OUTLET | | |
| | | | | | | | | | |
| 22 (V) 407C (N) 407A (V) 422D (V) | GV-1/5 | GVE-1/5 | 1/5 | Refer to Recommended Thermostatic Charges on page 3 | 5 ft. 1.5 m | 1/4 or 3/8 W | 1/2 | 2 lbs. 0.90 kg | 3 lbs. 1.36 kg |
| | GV-1/3 | GVE-1/3 | 1/3 | | | | | | |
| | GV-1/2 | GVE-1/2 | 1/2 | | | | | | |
| | GV-3/4 | GVE-3/4 | 3/4 | | | | | | |
| | GV-1 | GVE-1 | 1 | | | | | | |
| | GV-1-1/2 | GVE-1-1/2 | 1-1/2 | | | | | | |
| | - | GVE-2 | 2 | | | | | | |
| | GV-2-1/2 | - | 2-1/2 | | | | | | |
| - | GVE-3 | 3 | | | | | | | |
| 134a (J) 12 (F) 401A (X) 409A (F) | GJ-1/8 | GJE-1/8 | 1/8 | | | | | | |
| | GJ-1/6 | GJE-1/6 | 1/6 | | | | | | |
| | GJ-1/4 | GJE-1/4 | 1/4 | | | | | | |
| | GJ-1/2 | GJE-1/2 | 1/2 | | | | | | |
| | GJ-1 | GJE-1 | 1 | | | | | | |
| | GJ-1-1/2 | GJE-1-1/2 | 1-1/2 | | | | | | |
| - | GJE-2 | 2 | | | | | | | |
| 404A (S) 502 (R) 408A (R) | GS-1/8 | GSE-1/8 | 1/8 | | | | | | |
| | GS-1/6 | GSE-1/6 | 1/6 | | | | | | |
| | GS-1/4 | GSE-1/4 | 1/4 | | | | | | |
| | GS-1/2 | GSE-1/2 | 1/2 | | | | | | |
| | GS-1 | GSE-1 | 1 | | | | | | |
| | GS-1-1/2 | GSE-1-1/2 | 1-1/2 | | | | | | |
| - | GSE-2 | 2 | | | | | | | |
| 507 (P) 402A (L) | GP-1/8 | GPE-1/8 | 1/8 | | | | | | |
| | GP-1/6 | GPE-1/6 | 1/6 | | | | | | |
| | GP-1/4 | GPE-1/4 | 1/4 | | | | | | |
| | GP-1/2 | GPE-1/2 | 1/2 | | | | | | |
| | GP-1 | GPE-1 | 1 | | | | | | |
| | GP-1-1/2 | GPE-1-1/2 | 1-1/2 | | | | | | |
| - | GPE-2 | 2 | | | | | | | |

Q Valves listed in this column NOT AVAILABLE with MOP Type air conditioning charges.
W The 3/8" SAE inlet fitting has a long taper on the flare surface. A 3/8" x 1/4" reducing flare nut will allow 1/4" OD tubing to be attached to this fitting.



DIMENSIONS BULB SIZES - Inches

| STANDARD CHARGES | REFRIGERANT | | | |
|---------------------|----------------|------|----------------|-----|
| | 22 | 134a | 404A | 507 |
| C | 0.50 OD x 3.50 | | | |
| Z & ZP Series | 0.50 OD x 3.50 | - | 0.50 OD x 3.50 | - |
| X | 0.75 OD x 4.00 | - | 0.75 OD x 4.00 | - |
| CP Series | 0.50 OD x 3.50 | | | |
| VGA | 0.75 OD x 2.00 | - | - | - |



TYPE EG

For Refrigerants 22, 134a, 404A, 507
ODF Solder Connections

Sporlan Type EG valve is a forged brass body, externally adjustable valve with ODF solder connections. The thermostatic element is replaceable, and the inlet connection has a removable 100 mesh strainer which can be cleaned and/or replaced without removing the valve from the line. This valve is designed for small refrigeration systems such as refrigerated cases, coolers and freezers. In addition to refrigeration applications, the externally equalized Type EG valve may be used

for small capacity air conditioning and heat pump units.

Outlet Connections
1/2" ODF

Mating Distributors (See Bulletin 20-10)
D260, D262

For complete details of construction, see page 35.

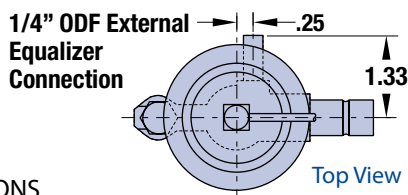


Replaceable Strainer
U.S. Patent No. 5,232,015

SPECIFICATIONS ELEMENT SIZE NO. 53, KNIFE EDGE JOINT

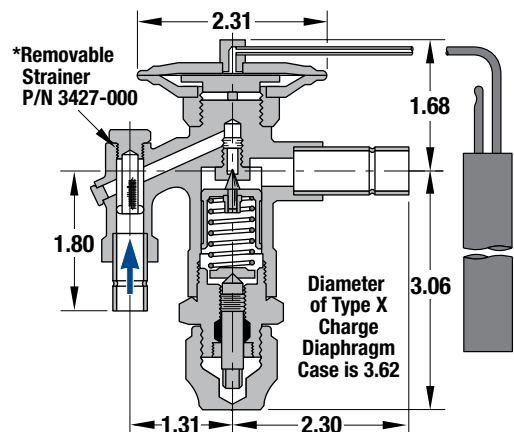
| REFRIGERANT (Sporlan Code) | VALVE TYPE | | NOMINAL CAPACITY Tons of Refrigeration | THERMOSTATIC CHARGES AVAILABLE | STANDARD TUBING LENGTH | CONNECTIONS - Inches W ODF Solder <i>Blue figures are standard and will be furnished unless otherwise specified.</i> | | NET WEIGHT | SHIPPING WEIGHT |
|--|----------------------------|---|---|--|------------------------------|--|--------|-------------------|--------------------|
| | Internal Equalizer Q | External Equalizer 1/4" ODF Solder | | | | INLET | OUTLET | | |
| 22 (V) 407C (N) 407A (V) 422D (V) | EGV-1/5 | EGVE-1/5 | 1/5 | Refer to Recommended Thermostatic Charges on page 3 | 5 ft. 1.5 m | 3/8 | 1/2 | 2 lbs. 0.90 kg | 3 lbs. 1.36 kg |
| | EGV-1/3 | EGVE-1/3 | 1/3 | | | | | | |
| | EGV-1/2 | EGVE-1/2 | 1/2 | | | | | | |
| | EGV-3/4 | EGVE-3/4 | 3/4 | | | | | | |
| | EGV-1 | EGVE-1 | 1 | | | | | | |
| | EGV-1-1/2 | EGVE-1-1/2 | 1-1/2 | | | | | | |
| | - | EGVE-2 | 2 | | | | | | |
| EGV-2-1/2 | - | 2-1/2 | | | | | | | |
| - | EGVE-3 | 3 | | | | | | | |
| 134a (J) 12 (F) 401A (X) 409A (F) | EGJ-1/8 | EGJE-1/8 | 1/8 | | | | | | |
| | EGJ-1/6 | EGJE-1/6 | 1/6 | | | | | | |
| | EGJ-1/4 | EGJE-1/4 | 1/4 | | | | | | |
| | EGJ-1/2 | EGJE-1/2 | 1/2 | | | | | | |
| | EGJ-1 | EGJE-1 | 1 | | | | | | |
| | EGJ-1-1/2 | EGJE-1-1/2 | 1-1/2 | | | | | | |
| - | EGJE-2 | 2 | | | | | | | |
| 404A (S) 502 (R) 408A (R) | EGS-1/8 | EGSE-1/8 | 1/8 | | | | | | |
| | EGS-1/6 | EGSE-1/6 | 1/6 | | | | | | |
| | EGS-1/4 | EGSE-1/4 | 1/4 | | | | | | |
| | EGS-1/2 | EGSE-1/2 | 1/2 | | | | | | |
| | EGS-1 | EGSE-1 | 1 | | | | | | |
| | EGS-1-1/2 | EGSE-1-1/2 | 1-1/2 | | | | | | |
| - | EGSE-2 | 2 | | | | | | | |
| 507 (P) 402A (L) | EGP-1/8 | EGPE-1/8 | 1/8 | | | | | | |
| | EGP-1/6 | EGPE-1/6 | 1/6 | | | | | | |
| | EGP-1/4 | EGPE-1/4 | 1/4 | | | | | | |
| | EGP-1/2 | EGPE-1/2 | 1/2 | | | | | | |
| | EGP-1 | EGPE-1 | 1 | | | | | | |
| | EGP-1-1/2 | EGPE-1-1/2 | 1-1/2 | | | | | | |
| - | EGPE-2 | 2 | | | | | | | |

Q Valves listed in this column NOT AVAILABLE with MOP Type air conditioning charges.
W ODF Solder indicates a female connection on the valve of proper diameter to receive copper tubing of corresponding OD size. Thus 1/2" ODF will receive 1/2" OD tubing.



DIMENSIONS
BULB SIZES - Inches

| STANDARD CHARGES | REFRIGERANT | | | |
|---------------------|----------------|------|----------------|-----|
| | 22 | 134a | 404A | 507 |
| C | 0.50 OD x 3.50 | | | |
| Z & ZP Series | 0.50 OD x 3.50 | - | 0.50 OD x 3.50 | - |
| X | 0.75 OD x 4.00 | - | 0.75 OD x 4.00 | - |
| CP Series | 0.50 OD x 3.50 | | | |
| VGA | 0.75 OD x 2.00 | - | - | - |



*Type EG valves manufactured prior to June 1994 use a smaller inlet strainer, P/N 1935-000, which has a 1/2" brass hex head. Current Type EG valves use inlet strainer P/N 3427-000 which has a 5/8" brass hex head. These strainers are not interchangeable. The 3427-000 is available as a replacement part. The 1935-000 is no longer available.

TYPE BF

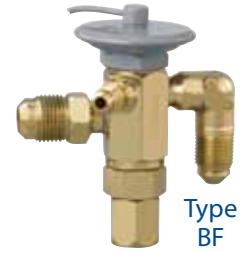
For Refrigerants 22, 134a, 404A, 507
SAE Flare Connections

Sporlan Type BF valve is a small brass bar body valve with SAE flare connections and balanced port construction. This valve has the same exterior dimensions as the Type F valve. The thermostatic element is replaceable, and the inlet connection has a removable 100 mesh strainer. The balanced port construction makes this valve ideally suited for small capacity refrigeration applications which operate over widely varying operating conditions.

Outlet Connections
1/2" SAE

Mating Distributors (See Bulletin 20-10)
1603, 1605, 1606, 1608, 1650(R)

For complete details of construction, see page 35.



Type BF

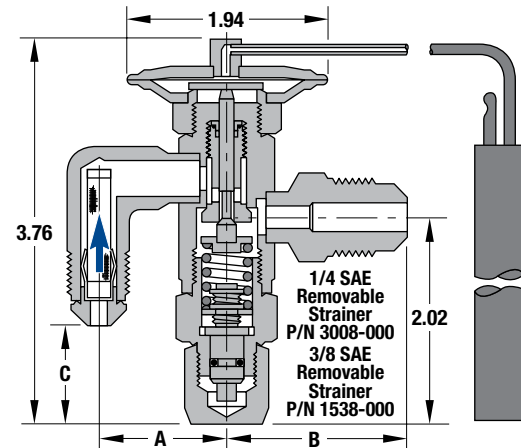
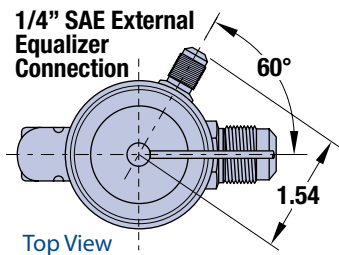
SPECIFICATIONS ELEMENT SIZE NO. 43, KNIFE EDGE JOINT

| REFRIGERANT (Sporlan Code) | VALVE TYPE | | PORT SIZE | NOMINAL CAPACITY Tons of Refrigeration | THERMOSTATIC CHARGES AVAILABLE | STANDARD TUBING LENGTH | CONNECTIONS - Inches SAE Flare <i>Blue figures are standard and will be furnished unless otherwise specified.</i> | | | NET WEIGHT | SHIPPING WEIGHT |
|---|-----------------------|-----------------------|--------------|---|--------------------------------------|------------------------------|---|------------------|-----------------------|----------------|------------------------|
| | SAE Flare | | | | | | INLET | OUTLET | EXTERNAL EQUALIZER | | |
| | Internal Equalizer | External Equalizer | | | | | | | | | |
| 22 (V) 407C (N) 407A (V) 422D (V) | BFV-AAA | BFVE-AAA | AAA | 1/8 thru 1/3 | C Z ZP40 | 30 in. 760 mm | 1/4 or 3/8 Elbow Q | 3/8 or 1/2 | 1/4 | 1 lb. 454 g | 1-1/2 lbs. 680 g |
| | BFV-AA | BFVE-AA | AA | 1/2 thru 2/3 | | | 1/4 or 3/8 Elbow Q | | | | |
| | BFV-A | BFVE-A | A | 3/4 thru 1-1/2 | | | 1/4 or 3/8 Elbow Q | | | | |
| | BFV-B | BFVE-B | B | 1-3/4 thru 3 | | | 3/8 Elbow | | | | |
| | BFV-C | BFVE-C | C | 3-1/4 thru 5-1/2 | | | 3/8 Elbow | | | | |
| 134a (J) 12 (F) 401A (X) 409A (F) | BFJ-AAA | BFJE-AAA | AAA | 1/8 thru 1/5 | C | 30 in. 760 mm | 1/4 or 3/8 Elbow Q | 3/8 or 1/2 | 1/4 | 1 lb. 454 g | 1-1/2 lbs. 680 g |
| | BFJ-AA | BFJE-AA | AA | 1/4 thru 1/3 | | | 1/4 or 3/8 Elbow Q | | | | |
| | BFJ-A | BFJE-A | A | 1/2 thru 1 | | | 1/4 or 3/8 Elbow Q | | | | |
| | BFJ-B | BFJE-B | B | 1-1/4 thru 1-3/4 | | | 3/8 Elbow | | | | |
| | BFJ-C | BFJE-C | C | 2 thru 3 | | | 3/8 Elbow | | | | |
| 404A (S) 502 (R) 408A (R) | BFS-AAA | BFSE-AAA | AAA | 1/8 thru 1/5 | C Z ZP | 30 in. 760 mm | 1/4 or 3/8 Elbow Q | 3/8 or 1/2 | 1/4 | 1 lb. 454 g | 1-1/2 lbs. 680 g |
| | BFS-AA | BFSE-AA | AA | 1/4 thru 1/3 | | | 1/4 or 3/8 Elbow Q | | | | |
| | BFS-A | BFSE-A | A | 1/2 thru 1 | | | 1/4 or 3/8 Elbow Q | | | | |
| | BFS-B | BFSE-B | B | 1-1/4 thru 2 | | | 3/8 Elbow | | | | |
| | BFS-C | BFSE-C | C | 2-1/4 thru 3 | | | 3/8 Elbow | | | | |
| 507 (P) 402A (L) | BFP-AAA | BFPE-AAA | AAA | 1/8 thru 1/5 | C Z ZP | 30 in. 760 mm | 1/4 or 3/8 Elbow Q | 3/8 or 1/2 | 1/4 | 1 lb. 454 g | 1-1/2 lbs. 680 g |
| | BFP-AA | BFPE-AA | AA | 1/4 thru 1/3 | | | 1/4 or 3/8 Elbow Q | | | | |
| | BFP-A | BFPE-A | A | 1/2 thru 1 | | | 1/4 or 3/8 Elbow Q | | | | |
| | BFP-B | BFPE-B | B | 1-1/4 thru 2 | | | 3/8 Elbow | | | | |
| | BFP-C | BFPE-C | C | 2-1/4 thru 3 | | | 3/8 Elbow | | | | |

Q The 3/8" SAE inlet fitting has a long taper on the flare surface. A 3/8" x 1/4" reducing flare nut will allow 1/4" OD tubing to be attached to this fitting.

DIMENSIONS CONNECTIONS - Inches

| FITTING SIZE SAE Flare | A | B | C |
|---------------------------|------|------|------|
| 1/4 Elbow | 1.19 | - | 1.34 |
| 3/8 Elbow | 1.35 | - | 0.98 |
| 3/8 SAE | - | 1.61 | - |
| 1/2 SAE | - | 1.80 | - |



BULB SIZES - Inches

| STANDARD CHARGES | REFRIGERANT | | | |
|---------------------|----------------|------|----------------|-----|
| | 22 | 134a | 404A | 507 |
| C | 0.50 OD x 3.00 | | | |
| Z & ZP Series | 0.50 OD x 3.00 | - | 0.50 OD x 3.00 | |

TYPE SBF & EBF

For Refrigerants 22, 134a, 404A, 507
Extended Solder Connections

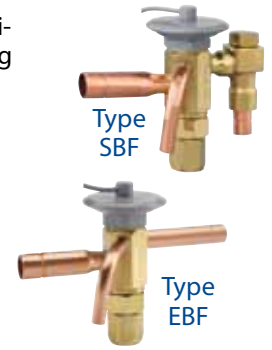
Sporlan Types SBF & EBF are small brass bar body valves with Extended ODF solder connections and the same balanced port construction as the Type BF valve. Both valves have replaceable thermostatic elements. The Type EBF has a 100 mesh insert strainer. The Type SBF has a 100 mesh removable strainer that can be cleaned and/or replaced while the valve is still soldered to the system tubing. The balanced port construction makes these valves ideally

suitable for small capacity refrigeration applications which operate over widely varying conditions.

Outlet Connections
1/2" ODF, 5/8" ODF

Mating Distributors (See Bulletin 20-10)
D260, D262, 1620, 1622, 1651(R)

For complete details of construction, see page 35.



Replaceable Strainer
U.S. Patent No. 5,232,015

SPECIFICATIONS ELEMENT SIZE NO. 43, KNIFE EDGE JOINT

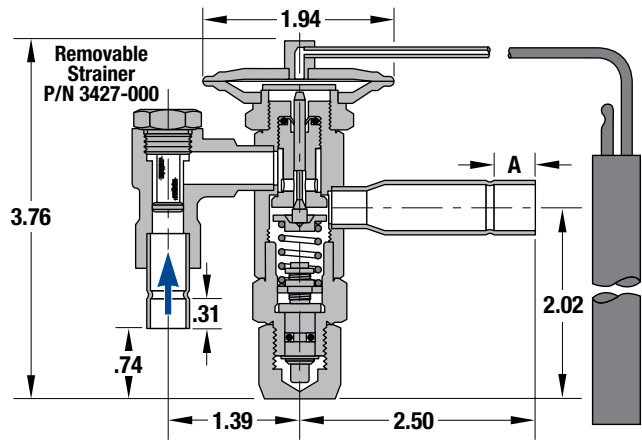
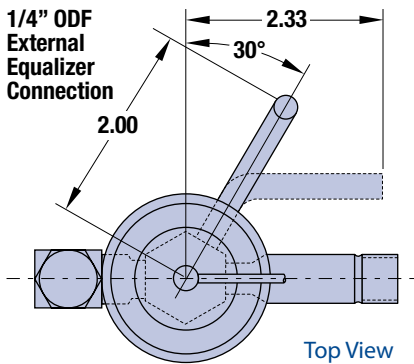
| REFRIGERANT (Sporlan Code) | TYPE SBF | | TYPE EBF | | PORT SIZE | NOMINAL CAPACITY RANGE Tons of Refrigeration | THERMOSTATIC CHARGES AVAILABLE | STANDARD TUBING LENGTH | CONNECTIONS - Inches | | | NET WEIGHT | SHIPPING WEIGHT |
|--|--|-----------------------|-----------------------|-----------------------|--------------|---|--------------------------------------|------------------------------|----------------------|------------------|---|----------------|------------------------|
| | Extended ODF Solder with replaceable strainer | | Extended ODF Solder | | | | | | INLET | OUTLET | EXTERNAL EQUALIZER | | |
| | Internal Equalizer | External Equalizer | Internal Equalizer | External Equalizer | | | | | | | | | |
| 22 (V) 407C (N) 407A (V) 422D (V) | SBFV-AAA | SBFVE-AAA | EBFV-AAA | EBFVE-AAA | AAA | 1/8 thru 1/3 | C Z ZP40 | 30 in. 760 mm | 3/8 | 1/2 or 5/8 | 1/4 Pointed Toward Bottom Cap or Parallel to Outlet Connection | 1 lb. 454 g | 1-1/2 lbs. 680 g |
| | SBFV-AA | SBFVE-AA | EBFV-AA | EBFVE-AA | AA | 1/2 thru 2/3 | | | | | | | |
| | SBFV-A | SBFVE-A | EBFV-A | EBFVE-A | A | 3/4 thru 1-1/2 | | | | | | | |
| | SBFV-B | SBFVE-B | EBFV-B | EBFVE-B | B | 1-3/4 thru 3 | | | | | | | |
| | SBFV-C | SBFVE-C | EBFV-C | EBFVE-C | C | 3-1/4 thru 5-1/2 | | | | | | | |
| 134a (J) 12 (F) 401A (X) 409A (F) | SBFJ-AAA | SBFJE-AAA | EBFJ-AAA | EBFJE-AAA | AAA | 1/8 thru 1/5 | C | 30 in. 760 mm | 3/8 | 1/2 or 5/8 | 1/4 Pointed Toward Bottom Cap or Parallel to Outlet Connection | 1 lb. 454 g | 1-1/2 lbs. 680 g |
| | SBFJ-AA | SBFJE-AA | EBFJ-AA | EBFJE-AA | AA | 1/4 thru 1/3 | | | | | | | |
| | SBFJ-A | SBFJE-A | EBFJ-A | EBFJE-A | A | 1/2 thru 1 | | | | | | | |
| | SBFJ-B | SBFJE-B | EBFJ-B | EBFJE-B | B | 1-1/4 thru 1-3/4 | | | | | | | |
| | SBFJ-C | SBFJE-C | EBFJ-C | EBFJE-C | C | 2 thru 3 | | | | | | | |
| 404A (S) 502 (R) 408A (R) | SBFS-AAA | SBFSE-AAA | EBFS-AAA | EBFSE-AAA | AAA | 1/8 thru 1/5 | C Z ZP | 30 in. 760 mm | 3/8 | 1/2 or 5/8 | 1/4 Pointed Toward Bottom Cap or Parallel to Outlet Connection | 1 lb. 454 g | 1-1/2 lbs. 680 g |
| | SBFS-AA | SBFSE-AA | EBFS-AA | EBFSE-AA | AA | 1/4 thru 1/3 | | | | | | | |
| | SBFS-A | SBFSE-A | EBFS-A | EBFSE-A | A | 1/2 thru 1 | | | | | | | |
| | SBFS-B | SBFSE-B | EBFS-B | EBFSE-B | B | 1-1/4 thru 2 | | | | | | | |
| | SBFS-C | SBFSE-C | EBFS-C | EBFSE-C | C | 2-1/4 thru 3 | | | | | | | |
| 507 (P) 402A (L) | SBFP-AAA | SBFPE-AAA | EBFP-AAA | EBFPE-AAA | AAA | 1/8 thru 1/5 | C Z ZP | 30 in. 760 mm | 3/8 | 1/2 or 5/8 | 1/4 Pointed Toward Bottom Cap or Parallel to Outlet Connection | 1 lb. 454 g | 1-1/2 lbs. 680 g |
| | SBFP-AA | SBFPE-AA | EBFP-AA | EBFPE-AA | AA | 1/4 thru 1/3 | | | | | | | |
| | SBFP-A | SBFPE-A | EBFP-A | EBFPE-A | A | 1/2 thru 1 | | | | | | | |
| | SBFP-B | SBFPE-B | EBFP-B | EBFPE-B | B | 1-1/4 thru 2 | | | | | | | |
| | SBFP-C | SBFPE-C | EBFP-C | EBFPE-C | C | 2-1/4 thru 3 | | | | | | | |

Q ODF Solder indicates a female connection on the valve of proper diameter to receive copper tubing of corresponding OD size. Thus 1/2" ODF will receive 1/2" OD tubing.

TYPE SBF & EBF

For Refrigerants 22, 134a, 404A, 507
Extended Solder Connections

TYPE SBF



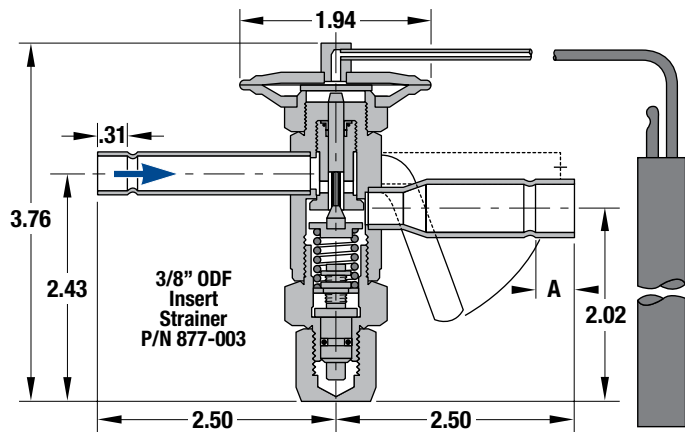
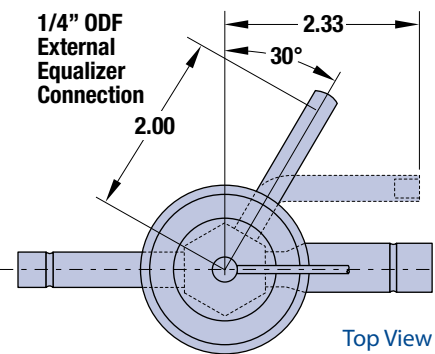
DIMENSIONS
CONNECTIONS - Inches

| OUTLET FITTING SIZE | A |
|---------------------|------|
| 1/2 | 0.40 |
| 5/8 | 0.50 |

BULB SIZES - Inches

| STANDARD CHARGES | REFRIGERANT | | | |
|------------------|----------------|------|----------------|-----|
| | 22 | 134a | 404A | 507 |
| C | 0.50 OD x 3.00 | | | |
| Z & ZP Series | 0.50 OD x 3.00 | - | 0.50 OD x 3.00 | |

TYPE EBF



DIMENSIONS
CONNECTIONS - Inches

| OUTLET FITTING SIZE | A |
|---------------------|------|
| 1/2 | 0.40 |
| 5/8 | 0.50 |

BULB SIZES - Inches

| STANDARD CHARGES | REFRIGERANT | | | |
|------------------|----------------|------|----------------|-----|
| | 22 | 134a | 404A | 507 |
| C | 0.50 OD x 3.00 | | | |
| Z & ZP Series | 0.50 OD x 3.00 | - | 0.50 OD x 3.00 | |

TYPE S

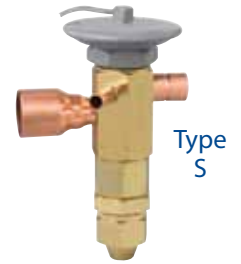
For Refrigerants 22, 134a, 404A, 507
ODF Solder Connections

Sporlan Type S valve is a brass bar body, externally adjustable valve with ODF solder connections. The thermostatic element is replaceable, and the inlet connection has a permanent 12 mesh strainer. This valve is designed for both air conditioning and refrigeration applications.

Outlet Connections
5/8" ODF, 7/8" ODF, 1-1/8" ODF

Mating Distributors (See Bulletin 20-10)
1112, 1113, 1115, 1116, 1620, 1622, 1651(R), 1653(R), 1655(R)

For complete details of construction, see page 35.



SPECIFICATIONS ELEMENT SIZE NO. 83, KNIFE EDGE JOINT

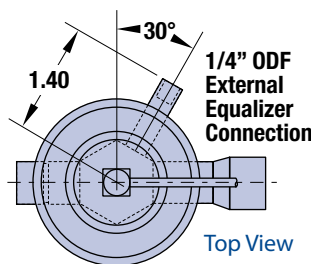
| REFRIGERANT (Sporlan Code) | VALVE TYPE | | NOMINAL CAPACITY Tons of Refrigeration | THERMOSTATIC CHARGES AVAILABLE | STANDARD TUBING LENGTH | CONNECTIONS - Inches W ODF Solder <small>Blue figures are standard and will be furnished unless otherwise specified.</small> | | NET WEIGHT | SHIPPING WEIGHT | |
|--|----------------------------|-----------------------|---|--|------------------------------|--|-------------------|-------------------|--------------------|-------------------|
| | Internal Equalizer Q | External Equalizer | | | | INLET | OUTLET | | | |
| | | | | | | | | | | |
| 22 (V) 407C (N) 407A (V) 422D (V) | SV-2 | SVE-2 | 2 | Refer to Recommended Thermostatic Charges on page 3 | 5 ft. 1.5 m | 3/8 or 1/2 | 5/8, 7/8 or 1-1/8 | 2 lbs. 0.90 kg | 3 lbs. 1.36 kg | |
| | SV-3 | SVE-3 | 3 | | | 1/2 | 5/8, 7/8 or 1-1/8 | | | |
| | SV-4 | SVE-4 | 4 | | | 5/8 | 7/8 or 1-1/8 | | | |
| | SV-5 | SVE-5 | 5 | | | 3/8 or 1/2 | 5/8, 7/8 or 1-1/8 | | | |
| | – | SVE-8 | 8 | | | 1/2 | 5/8, 7/8 or 1-1/8 | | | |
| – | SVE-10 | 10 | 5/8 | | | 7/8 or 1-1/8 | | | | |
| 134a (J) 12 (F) 401A (X) 409A (F) | SJ-2 | SJE-2 | 2 | | | | 3/8 or 1/2 | | | 5/8, 7/8 or 1-1/8 |
| | SJ-2-1/2 | SJE-2-1/2 | 2-1/2 | | | | 1/2 | | | 5/8, 7/8 or 1-1/8 |
| | SJ-3 | SJE-3 | 3 | | | | 5/8 | | | 7/8 or 1-1/8 |
| | – | SJE-5 | 5 | | | | 3/8 or 1/2 | | | 5/8, 7/8 or 1-1/8 |
| | – | SJE-6 | 6 | | | | 1/2 | | | 5/8, 7/8 or 1-1/8 |
| 404A (S) 502 (R) 408A (R) | SS-2 | SSE-2 | 2 | | | | 5/8 | | | 7/8 or 1-1/8 |
| | SS-3 | SSE-3 | 3 | | | | 3/8 or 1/2 | | | 5/8, 7/8 or 1-1/8 |
| | SS-4 | SSE-4 | 4 | | | | 1/2 | | | 5/8, 7/8 or 1-1/8 |
| | – | SSE-6 | 6 | | | | 5/8 | | | 7/8 or 1-1/8 |
| | – | SSE-7 | 7 | | | | 3/8 or 1/2 | | | 5/8, 7/8 or 1-1/8 |
| 507 (P) 402A (L) | SP-2 | SPE-2 | 2 | | | | 1/2 | | | 5/8, 7/8 or 1-1/8 |
| | SP-3 | SPE-3 | 3 | | | | 5/8 | | | 7/8 or 1-1/8 |
| | SP-4 | SPE-4 | 4 | | | | 3/8 or 1/2 | | | 5/8, 7/8 or 1-1/8 |
| | – | SPE-6 | 6 | | | | 1/2 | | | 5/8, 7/8 or 1-1/8 |
| | – | SPE-7 | 7 | | 5/8 | 7/8 or 1-1/8 | | | | |

Q Valves listed in this column NOT AVAILABLE with MOP Type air conditioning charges.

W ODF Solder indicates a female connection on the valve of proper diameter to receive copper tubing of corresponding OD size. Thus 5/8" ODF will receive 5/8" OD tubing.

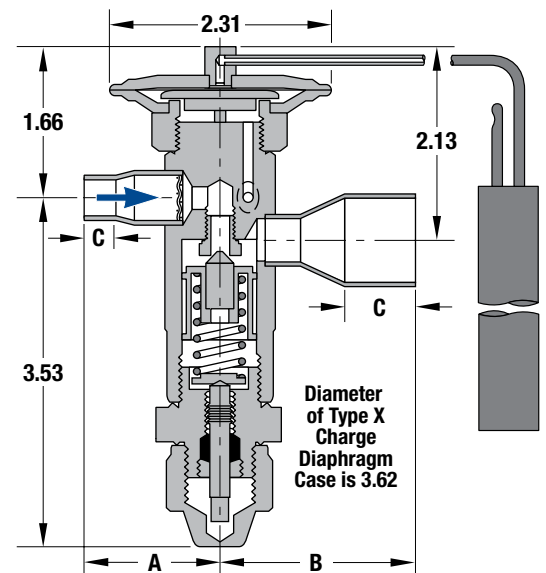
DIMENSIONS CONNECTIONS - Inches

| FITTING SIZE | A | B | C |
|--------------|------|------|------|
| 3/8 | 1.34 | – | 0.31 |
| 1/2 | 1.29 | 1.36 | 0.40 |
| 5/8 | 1.50 | 1.57 | 0.50 |
| 7/8 | – | 2.13 | 0.78 |
| 1-1/8 | – | 2.19 | 0.91 |



BULB SIZES - Inches

| STANDARD CHARGES | REFRIGERANT | | | |
|------------------|----------------|------|----------------|-----|
| | 22 | 134a | 404A | 507 |
| C | 0.50 OD x 3.50 | | | |
| Z & ZP Series | 0.50 OD x 3.50 | – | 0.50 OD x 3.50 | – |
| X | 0.75 OD x 4.00 | – | 0.75 OD x 4.00 | – |
| CP Series | 0.50 OD x 3.50 | | | – |
| VGA | 0.75 OD x 2.00 | – | – | – |



TYPE EBS

For Refrigerants 22, 134a, 404A, 507
Extended ODF Solder Connections

Sporlan Type EBS valve is a brass bar body valve having the same physical size as the Type S valve except the Type EBS features a balanced port construction and extended ODF connections. The thermostatic element is replaceable, and the inlet connection has a permanent 12 mesh strainer. The balanced port construction makes this valve ideally suited for refrigeration and air conditioning applications which operate over widely varying conditions.

Outlet Connections
7/8" ODF, 1-1/8" ODF, 1-3/8" ODF

Mating Distributors (See Bulletin 20-10)
1112, 1113, 1115, 1116, 1117, 1126, 1128, 1653(R), 1655(R), 1657(R)

For complete details of construction, see page 35.



Type EBS

SPECIFICATIONS ELEMENT SIZE NO. 83, KNIFE EDGE JOINT

| REFRIGERANT (Sporlan Code) | VALVE TYPE | NOMINAL CAPACITY Tons of Refrigeration | THERMOSTATIC CHARGES AVAILABLE | STANDARD TUBING LENGTH | CONNECTIONS - Inches ^E | | | NET WEIGHT | SHIPPING WEIGHT |
|--|-----------------------|---|---|------------------------------|---|---------------------|---|-------------------|--------------------|
| | External Equalizer | | | | Q Extended ODF Solder Blue figures are standard and will be furnished unless otherwise specified. | | | | |
| | | | | | INLET | OUTLET | EXTERNAL EQUALIZER | | |
| 22 (V) 407C (N) 407A (V) 422D (V) | EBSVE-8 W | 8 | *Refer to Recommended Thermostatic Charges on page 3 | 5 ft. 1.5 m | 1/2 or 5/8 | 7/8 or 1-1/8 | 1/4 Pointed Toward Bottom Cap or Parallel to Outlet Connection | 2 lbs. 0.90 kg | 3 lbs. 1.36 kg |
| | EBSVE-11 W | 11 | | | 1/2, 5/8 or 7/8 | 7/8, 1-1/8 or 1-3/8 | | | |
| | EBSVE-15 | 15 | | | 5/8 or 7/8 | 7/8, 1-1/8 or 1-3/8 | | | |
| | EBSVE-20 | 20 | | | 7/8 | 1-1/8 or 1-3/8 | | | |
| 134a (J) 12 (F) 401A (X) 409A (F) | EBSJE-5 W | 5 | | | 1/2 or 5/8 | 7/8 or 1-1/8 | | | |
| | EBSJE-7 W | 7 | | | 1/2, 5/8 or 7/8 | 7/8, 1-1/8 or 1-3/8 | | | |
| | EBSJE-9 | 9 | | | 5/8 or 7/8 | 7/8, 1-1/8 or 1-3/8 | | | |
| | EBSJE-12 | 12 | | | 7/8 | 1-1/8 or 1-3/8 | | | |
| 404A (S) 502 (R) 408A (R) | EBSSE-6 W | 6 | | | 1/2 or 5/8 | 7/8 or 1-1/8 | | | |
| | EBSSE-7-1/2 W | 7-1/2 | | | 1/2, 5/8 or 7/8 | 7/8, 1-1/8 or 1-3/8 | | | |
| | EBSSE-10 | 10 | | | 5/8 or 7/8 | 7/8, 1-1/8 or 1-3/8 | | | |
| | EBSSE-13 | 13 | | | 7/8 | 1-1/8 or 1-3/8 | | | |
| 507 (P) 402A (L) | EBSPE-6 W | 6 | | | 1/2 or 5/8 | 7/8 or 1-1/8 | | | |
| | EBSPE-7-1/2 W | 7-1/2 | | | 1/2, 5/8 or 7/8 | 7/8, 1-1/8 or 1-3/8 | | | |
| | EBSPE-10 | 10 | | | 5/8 or 7/8 | 7/8, 1-1/8 or 1-3/8 | | | |
| | EBSPE-13 | 13 | | | 7/8 | 1-1/8 or 1-3/8 | | | |

Q ODF Solder indicates a female connection on the valve of proper diameter to receive copper tubing of corresponding OD size. Thus 5/8" ODF will receive 5/8" OD tubing.

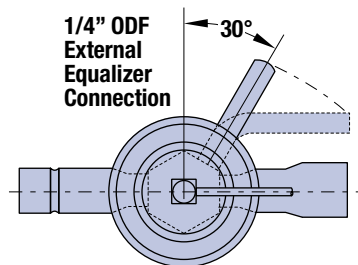
W Approved for bi-directional applications.

E Minimum quantities may apply to non-standard connections. Not all connection combinations are available.

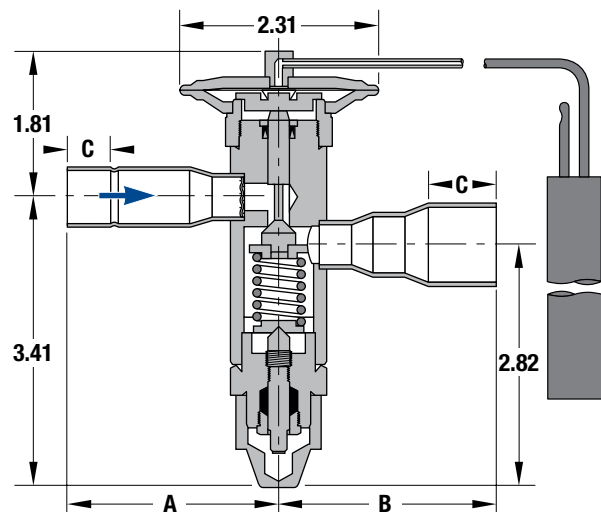
* X charge not available.

DIMENSIONS CONNECTIONS - Inches

| FITTING SIZE | A | B | C |
|--------------|------|------|------|
| 1/2 | 2.49 | - | 0.40 |
| 5/8 | 2.46 | - | 0.50 |
| 7/8 | 2.46 | 2.53 | 0.78 |
| 1-1/8 | - | 2.53 | 0.91 |
| 1-3/8 | - | 3.04 | 0.97 |



Top View



BULB SIZES - Inches

| STANDARD CHARGES | REFRIGERANT | | | |
|------------------|----------------|------|----------------|-----|
| | 22 | 134a | 404A | 507 |
| C | 0.50 OD x 3.50 | | | |
| Z & ZP Series | 0.50 OD x 3.50 | - | 0.50 OD x 3.50 | |
| CP Series | 0.50 OD x 3.50 | | | - |
| VGA | 0.75 OD x 2.00 | - | - | - |

TYPE O

Sporlan Type O valve is a brass bar body, externally adjustable valve with ODF solder connections. The thermostatic element is replaceable, and the inlet connection has a permanent 12 mesh strainer. This valve type features a balanced port construction, and it is designed for both air conditioning and refrigeration applications. A synthetic seating surface provides tight shut-off during system off periods.

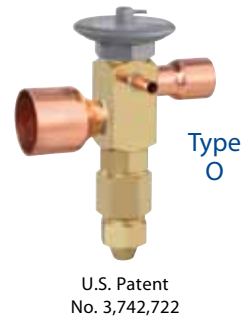
This valve type has two body styles: a small body which provides capacities up to 30 tons

R-22 and 35 tons R-410A, and a large body which extends capacities to 70 tons R-22 and 60 tons R-410A.

Outlet Connections
1-1/8" ODF, 1-3/8" ODF, 1-5/8" ODF

Mating Distributors (See Bulletin 20-10)
1115, 1116, 1117, 1125, 1126, 1127, 1128, 1143, 1655(R), 1657(R), 1659(R)

For complete details of construction, see page 35.



SPECIFICATIONS ELEMENT SIZE NO. 83, NO. 33, NO. 85 (R-410A), AND NO. 85-3 (R-410A), KNIFE EDGE JOINT

| REFRIGERANT (Sporlan Code) | VALVE TYPE | | THERMOSTATIC ELEMENT SIZE NO. | THERMOSTATIC CHARGES AVAILABLE | STANDARD TUBING LENGTH | CONNECTIONS - Inches Q ODF Solder | | NET WEIGHT | SHIPPING WEIGHT | | | | | |
|--|-----------------------|---|-------------------------------------|---|---|--|---|-------------------|---|-------------------|-------------------|-------------------|-------------------|-------------------|
| | External Equalizer | NOMINAL CAPACITY Tons of Refrigeration | | | | Blue figures are standard and will be furnished unless otherwise specified. | | | | | | | | |
| | | | | | | INLET | OUTLET | | | | | | | |
| 22 (V) 407C (N) 407A (V) 422D (V) | OVE-15 W | 15 | 83 | *Refer to Recommended Thermostatic Charges on page 3 | 5 feet 1.5 m | 7/8 | 1-1/8 | 2 lbs. 0.90 kg | 3 lbs. 1.36 kg | | | | | |
| | OVE-20 W | 20 | | | | | 1-3/8 | | | | | | | |
| | OVE-30 W | 30 | | | | 1-1/8 | 1-3/8 or 1-5/8 | 4 lbs. 1.82 kg | 5 lbs. 2.27 kg | | | | | |
| | OVE-40 | 40 | | | | | | | | | | | | |
| | OVE-55 | 55 | | | | | | | | | | | | |
| OVE-70 | 70 | 33 | 83 | | | 7/8 | 1-1/8 | 2 lbs. 0.90 kg | 3 lbs. 1.36 kg | | | | | |
| OJE-9 | 9 | 1-3/8 | | | | | | | | | | | | |
| OJE-12 | 12 | 1-1/8 | | | | 1-3/8 or 1-5/8 | 4 lbs. 1.82 kg | 5 lbs. 2.27 kg | | | | | | |
| OJE-16 | 16 | | | | | | | | | | | | | |
| OJE-23 | 23 | | | | | | | | | | | | | |
| OJE-32 | 32 | 33 | 83 | | | 7/8 | 1-1/8 | 2 lbs. 0.90 kg | 3 lbs. 1.36 kg | | | | | |
| OJE-40 | 40 | 1-3/8 | | | | | | | | | | | | |
| 404A (S) 502 (R) 408A (R) | OSE-9 | 9 | | | | 83 | *Refer to Recommended Thermostatic Charges on page 3 | 5 feet 1.5 m | 1-1/8 | 1-3/8 or 1-5/8 | 4 lbs. 1.82 kg | 5 lbs. 2.27 kg | | |
| | OSE-12 | 12 | | | | | | | | 1-1/8 | | | 1-3/8 or 1-5/8 | 4 lbs. 1.82 kg |
| | OSE-21 | 21 | | | | | | | | | | | | |
| | OSE-30 | 30 | | | | | | | | | | | | |
| | OSE-35 | 35 | 33 | 85 | 7/8 | 1-1/8 | | | 2 lbs. 0.90 kg | 3 lbs. 1.36 kg | | | | |
| OSE-45 | 45 | 1-3/8 | | | | | | | | | | | | |
| 410A (Z) | OZE-20 W | 20 | 85 | | *Refer to Recommended Thermostatic Charges on page 3 | 5 feet 1.5 m | | | 1-1/8 | 1-3/8 or 1-5/8 | 4 lbs. 1.82 kg | 5 lbs. 2.27 kg | | |
| | OZE-25 W | 25 | | | | | | | | 1-1/8 | | | 1-3/8 or 1-5/8 | 4 lbs. 1.82 kg |
| | OZE-35 W | 35 | | | | | | | | | | | | |
| | OZE-50 | 50 | | | | | | | | | | | | |
| | OZE-60 | 60 | 85-3 | 83 | | | | | 7/8 | 1-1/8 | 2 lbs. 0.90 kg | 3 lbs. 1.36 kg | | |
| OPE-9 | 9 | 1-3/8 | | | | | | | | | | | | |
| 507 (P) 402A (L) | OPE-12 | 12 | 83 | | | | | | *Refer to Recommended Thermostatic Charges on page 3 | 5 feet 1.5 m | 1-1/8 | 1-3/8 or 1-5/8 | 4 lbs. 1.82 kg | 5 lbs. 2.27 kg |
| | OPE-21 | 21 | | | | | | | | | | 1-1/8 | | |
| | OPE-30 | 30 | | | | | | | | | | | | |
| | OPE-35 | 35 | | | | | | | | | | | | |
| | OPE-45 | 45 | 33 | | | | | | | | | | | |

Q ODF Solder indicates a female connection on the valve of proper diameter to receive copper tubing of corresponding OD size. Thus 5/8" ODF will receive 5/8" OD tubing.

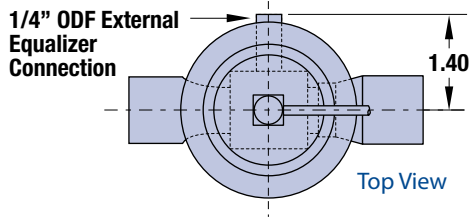
W Optional bi-directional feature is available, please contact Sporlan Division of Parker for more information.

* X charge not available.

TYPE O

For Refrigerants 22, 134a, 404A, 410A, 507
ODF Solder Connections

TYPE O with NUMBER 83 and 85 ELEMENT

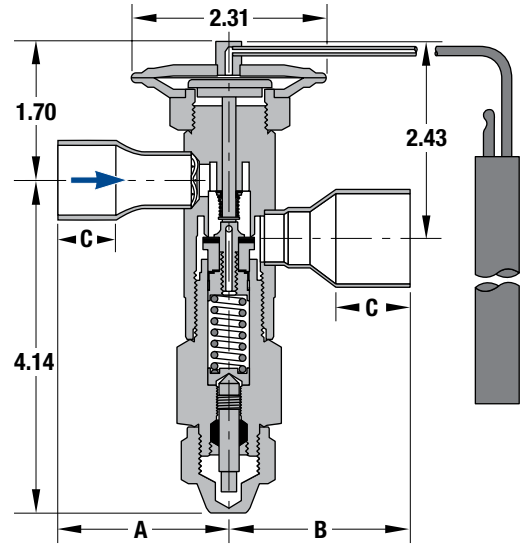


DIMENSIONS
CONNECTIONS - Inches

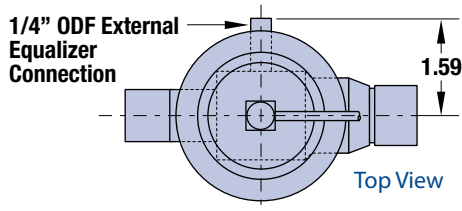
| STRAIGHT THRU ODF SOLDER | A | B | C |
|--------------------------|------|------|------|
| 7/8 | 2.09 | 2.08 | 0.78 |
| 1-1/8 | 2.21 | 2.23 | 0.91 |
| 1-3/8 | - | 2.39 | 0.97 |

BULB SIZES - Inches

| STANDARD CHARGES | REFRIGERANT | | | | |
|------------------|----------------|------|----------------|----------------|----------------|
| | 22 | 134a | 404A | 410A | 507 |
| C | 0.50 OD X 3.50 | | | | |
| Z & ZP Series | 0.50 OD X 3.50 | - | 0.50 OD X 3.50 | - | 0.50 OD X 3.50 |
| CP Series | 0.50 OD X 3.50 | | | | |
| GA | 0.75 OD X 2.00 | - | - | 0.75 OD X 2.00 | - |



TYPE O with NUMBER 33 and 85-3 ELEMENT

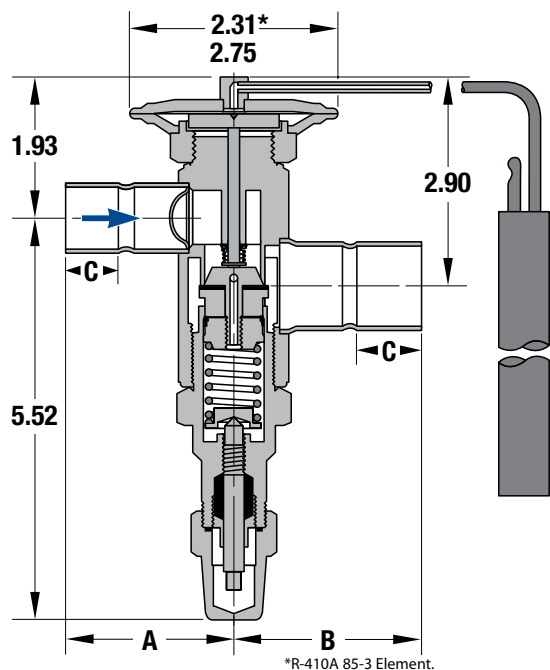


DIMENSIONS
CONNECTIONS - Inches

| STRAIGHT THRU ODF SOLDER | A | B | C |
|--------------------------|------|------|------|
| 1-1/8 | 2.69 | - | 0.91 |
| 1-3/8 | - | 2.84 | 0.97 |
| 1-5/8 | - | 3.12 | 1.09 |

BULB SIZES - Inches

| STANDARD CHARGES | REFRIGERANT | | | | |
|------------------|----------------|----------------|----------------|----------------|----------------|
| | 22 | 134a | 404A | 410A | 507 |
| C | 0.75 OD x 4.00 | 0.50 OD x 5.00 | 0.75 OD x 4.00 | - | 0.75 OD x 4.00 |
| Z & ZP Series | 0.75 OD x 4.00 | - | 0.75 OD x 4.00 | - | 0.75 OD x 4.00 |
| CP Series | 0.75 OD x 4.00 | | | | |
| GA | 0.75 OD x 4.00 | - | - | 0.75 OD X 2.00 | - |



*R-410A 85-3 Element.

TYPE H

For Refrigerants 22, 134a, 404A, 507
ODF Solder - Flange Connections

Sporlan Type H valve is a brass bar body, externally adjustable valve available with either ODF solder or FPT flange connections. The thermostatic element is replaceable, and the inlet connection has a permanent 16 mesh strainer. The FPT flange connection requires the Sporlan K-1178 adapter kit. This valve type provides the smallest capacity TEVs with flange connections, and it is designed for both air conditioning and refrigeration applications.

Outlet Connections
7/8" ODF, 1-1/8" ODF, "H" flange type

Mating Distributors (See Bulletin 20-10)
1109, 1110, 1112, 1113, 1115, 1116, 1124,
1192 (aluminum), 1653(R), 1655(R)

For complete details of construction, see page 35.



SPECIFICATIONS ELEMENT SIZE NO. 33, KNIFE EDGE JOINT

| REFRIGERANT (Sporlan Code) | VALVE TYPE | | NOMINAL CAPACITY Tons of Refrigeration | THERMOSTATIC CHARGES AVAILABLE | STANDARD TUBING LENGTH | CONNECTIONS - Inches E ODF Solder Blue figures are standard and will be furnished unless otherwise specified. | | FLANGE RING SIZE OD x ID Inches R | NET WEIGHT | SHIPPING WEIGHT | | | | | |
|--|----------------------------|----------------------------|---|--|------------------------------|---|--------------|--|-------------------|--------------------|------------|--------------|--|--|--|
| | Internal Equalizer Q | External Equalizer W | | | | INLET | OUTLET | | | | | | | | |
| | | | | | | | | | | | | | | | |
| 22 (V) 407C (N) 407A (V) 422D (V) | HV-5-1/2 | HVE-5-1/2 | 5-1/2 | Refer to Recommended Thermostatic Charges on page 3 | 5 ft. 1.5 m | 5/8 or 7/8 | 7/8 or 1-1/8 | 1.25 x 1.00 | 5 lbs. 2.27 kg | 6 lbs. 2.72 kg | | | | | |
| | - | HVE-7 | 7 | | | 7/8 | 7/8 or 1-1/8 | | | | | | | | |
| | - | HVE-11 | 11 | | | 5/8 or 7/8 | 7/8 or 1-1/8 | | | | | | | | |
| | - | HVE-16 | 16 | | | 7/8 | 7/8 or 1-1/8 | | | | | | | | |
| - | HVE-20 | 20 | 5/8 or 7/8 | | | 7/8 or 1-1/8 | | | | | | | | | |
| 134a (J) 12 (F) 401A (X) 409A (F) | HJ-3 | HJE-3 | 3 | | | | | | | | 5/8 or 7/8 | 7/8 or 1-1/8 | | | |
| | HJ-4 | HJE-4 | 4 | | | | | | | | 7/8 | 7/8 or 1-1/8 | | | |
| | HJ-5 | HJE-5 | 5 | | | | | | | | 5/8 or 7/8 | 7/8 or 1-1/8 | | | |
| | - | HJE-8 | 8 | | | | | | | | 7/8 | 7/8 or 1-1/8 | | | |
| 404A (S) 502 (R) 408A (R) | HS-3 | HSE-3 | 3 | | | | | | | | 5/8 or 7/8 | 7/8 or 1-1/8 | | | |
| | HS-4 | HSE-4 | 4 | | | | | | | | 7/8 | 7/8 or 1-1/8 | | | |
| | - | HSE-6-1/2 | 6-1/2 | | | | | | | | 5/8 or 7/8 | 7/8 or 1-1/8 | | | |
| | - | HSE-9 | 9 | | | | | | | | 7/8 | 7/8 or 1-1/8 | | | |
| 507 (P) 402A (L) | HP-3 | HPE-3 | 3 | | | | | | | | 5/8 or 7/8 | 7/8 or 1-1/8 | | | |
| | HP-4 | HPE-4 | 4 | | | | | | | | 7/8 | 7/8 or 1-1/8 | | | |
| | - | HPE-6-1/2 | 6-1/2 | | | | | | | | 5/8 or 7/8 | 7/8 or 1-1/8 | | | |
| | - | HPE-9 | 9 | | | 7/8 | 7/8 or 1-1/8 | | | | | | | | |
| | - | HPE-12 | 12 | | | 5/8 or 7/8 | 7/8 or 1-1/8 | | | | | | | | |

Q Valves listed in this column NOT AVAILABLE with MOP Type air conditioning charges.

W Standard External Equalizer Connection 1/4" SAE Flare, 1/4" ODF Solder connection available on request.

E ODF Solder indicates a female connection on the valve of proper diameter to receive copper tubing of corresponding OD size. Thus, 5/8" ODF will receive 5/8" OD tubing.

R Kit K-1178 with two brass bushings is available for two purposes: 1) To allow the current Type H valve to replace obsolete Types T and H with 1.125" x 0.75" flanger rings by mating with the smaller flanger bushings and/or distributors. 2) To allow the Type H to use 1/2" FPT connections — Part number 225-002 and 1/2" socket weld connections — Part number 580-000. Order the appropriate 1/2" connections and one K-1178 per valve.

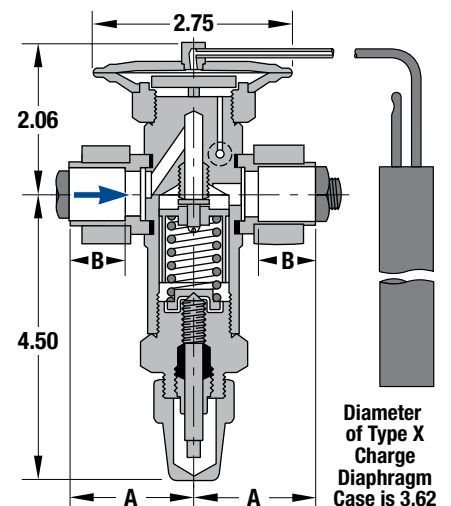
DIMENSIONS

CONNECTIONS - Inches

| SOLDERING BUSHING | A | B |
|-------------------|------|------|
| 1/2 | 2.00 | 0.88 |
| 5/8 | 2.00 | 0.88 |
| 7/8 | 2.00 | 0.88 |
| 1-1/8 | 2.06 | 0.94 |

BULB SIZES - Inches

| STANDARD CHARGES | REFRIGERANT | | | |
|------------------|----------------|----------------|----------------|-----|
| | 22 | 134a | 404A | 507 |
| C | 0.75 OD x 4.00 | 0.50 OD x 5.00 | 0.75 OD x 4.00 | |
| Z & ZP Series | 0.75 OD x 4.00 | - | 0.75 OD x 4.00 | |
| X | 0.75 OD x 4.00 | - | 0.75 OD x 4.00 | |
| CP Series | 0.75 OD x 4.00 | | | - |
| VGA | 0.75 OD x 4.00 | - | - | - |



TYPE M

For Refrigerants 22, 134a, 404A, 507
ODF Solder - Flange Connections

Sporlan Type M valve is a cast bronze body, externally adjustable valve with either ODF solder or FPT flange connections. The thermostatic element is replaceable, and the inlet connection has a permanent 12 mesh strainer. This valve type provides capacities greater than the Type H, and it is designed for both air conditioning and refrigeration applications. Flanges for the Type M valve are interchangeable with the Type V.

Outlet Connections
1-1/8" ODF, 1-3/8" ODF, 1-5/8" ODF, M/V flange

Mating Distributors (See Bulletin 20-10)
1115, 1116, 1117, 1119, 1121, 1125, 1126, 1127, 1128,
1143, 1193 (aluminum), 1655(R), 1657(R), 1659(R)



For complete details of construction, see page 35.

SPECIFICATIONS ELEMENT SIZE NO. 63, GASKET JOINT

| REFRIGERANT (Sporlan Code) | VALVE TYPE | | THERMOSTATIC CHARGES AVAILABLE | Blue figures are standard and will be furnished unless otherwise specified. | | FLANGE RING SIZE OD x ID Inches | NET WEIGHT | SHIPPING WEIGHT | | | | | | | | | |
|--|----------------------------|---|--|--|--|---|-------------------|--------------------|--|-------------|-------------------|-------------------|---------------|---------------|-------------|-------------------|-------------------|
| | External Equalizer Q | NOMINAL CAPACITY Tons of Refrigeration | | STANDARD TUBING LENGTH | W CONNECTIONS - Inches E ODF Solder Flange | | | | | | | | | | | | |
| | | | | | INLET | | | | OUTLET | | | | | | | | |
| 22 (V) 407C (N) 407A (V) 422D (V) | MVE-21 | 21 | Refer to Recommended Thermostatic Charges on page 3 | 5 ft. 1.5 m | 7/8 or 1-1/8 | 1.75 x 1.25 | 8 lbs. 3.63 kg | 9 lbs. 4.09 kg | | | | | | | | | |
| | MVE-26 | 26 | | | 7/8 or 1-1/8 | | | | | | | | | | | | |
| | MVE-34 | 34 | | | 7/8 or 1-1/8 | | | | | | | | | | | | |
| | MVE-42 | 42 | | | 7/8 or 1-1/8 | | | | | | | | | | | | |
| 134a (J) 12 (F) 401A (X) 409A (F) | MJE-15 | 15 | | Refer to Recommended Thermostatic Charges on page 3 | 10 ft. 3 m | | | | 7/8 or 1-1/8 | 1.75 x 1.25 | 8 lbs. 3.63 kg | 9 lbs. 4.09 kg | | | | | |
| | MJE-20 | 20 | | | | | | | 7/8 or 1-1/8 | | | | | | | | |
| | MJE-25 | 25 | | | | | | | 1-1/8 1-3/8 or 1-5/8 | | | | | | | | |
| 404A (S) 502 (R) 408A (R) | MSE-15 | 15 | | | | | | | Refer to Recommended Thermostatic Charges on page 3 | | | | 10 ft. 3 m | 7/8 or 1-1/8 | 1.75 x 1.25 | 8 lbs. 3.63 kg | 9 lbs. 4.09 kg |
| | MSE-20 | 20 | | | | | | | | | | | | 7/8 or 1-1/8 | | | |
| | MSE-25 | 25 | | | | | | | | | | | | 7/8 or 1-1/8 | | | |
| MSE-30 | 30 | 7/8 or 1-1/8 | | | | | | | | | | | | | | | |
| 507 (P) 402A (L) | MPE-15 | 15 | | | Refer to Recommended Thermostatic Charges on page 3 | | | | | | | | | 10 ft. 3 m | | | |
| | MPE-20 | 20 | 7/8 or 1-1/8 | | | | | | | | | | | | | | |
| | MPE-25 | 25 | 7/8 or 1-1/8 | | | | | | | | | | | | | | |
| | MPE-30 | 30 | 7/8 or 1-1/8 | | | | | | | | | | | | | | |

Q Standard External Equalizer Connection 1/4" SAE Flare. 1/4" ODF Solder connection available on request.
W FPT connections also available on request; 1/2" FPT - Part Number 360-000, 3/4" FPT - Part Number 360-001, 1" FPT - Part Number 362-000.
E ODF Solder indicates a female connection on the valve of proper diameter to receive copper tubing of corresponding OD size. Thus, 7/8" ODF will receive 7/8" OD tubing.

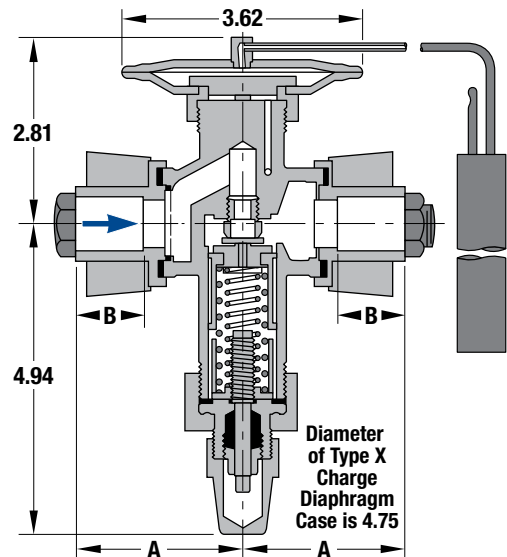
DIMENSIONS

CONNECTIONS - Inches

| SOLDERING BUSHING | A | B |
|----------------------|------|------|
| 7/8 | 2.38 | 0.88 |
| 1-1/8 | 2.75 | 0.94 |
| 1-3/8 | 2.75 | 0.94 |
| 1-5/8 | 3.22 | 1.22 |

BULB SIZES - Inches

| STANDARD CHARGES | REFRIGERANT | | | |
|---------------------|----------------|------|----------------|-----|
| | 22 | 134a | 404A | 507 |
| C | 0.88 OD x 6.00 | | | |
| Z & ZP Series | 0.88 OD x 6.00 | - | 0.88 OD x 6.00 | - |
| X | 0.88 OD x 6.00 | - | 0.88 OD x 6.00 | - |
| CP Series | 0.75 OD x 4.00 | | | - |
| VGA | 0.75 OD x 4.00 | - | - | - |



TYPE V

For Refrigerants 22, 134a, 404A, 507
ODF Solder - Flange Connections

Sporlan Type V valve is a cast bronze body, externally adjustable valve available with either ODF solder or FPT flange connections. The thermostatic element is replaceable, and the inlet connection has a permanent 12 mesh strainer. This valve features a dual port semi-balanced design, and it is designed for both air conditioning and refrigeration applications. A synthetic seating surface provides tight shut-off during system off periods. This valve provides greater capacities than the Type M.

Flanges for the Type V valve are interchangeable with the Type M.

Outlet Connections
1-3/8" ODF, 1-5/8" ODF, M/V flange

Mating Distributors (See Bulletin 20-10)
1117, 1119, 1121, 1125, 1126, 1127, 1128, 1143,
1193 (aluminum), 1657(R), 1659(R)
For complete details of construction, see page 35.



SPECIFICATIONS ELEMENT SIZE NO. 63, GASKET JOINT

| REFRIGERANT (Sporlan Code) | VALVE TYPE | | NOMINAL CAPACITY Tons of Refrigeration | THERMOSTATIC CHARGES AVAILABLE | Blue figures are standard and will be furnished unless otherwise specified. | | FLANGE RING SIZE OD x ID Inches | NET WEIGHT | SHIPPING WEIGHT | |
|--|----------------------------|---------|---|--|--|---|---|---------------|--------------------|--------------------|
| | External Equalizer Q | | | | STANDARD TUBING LENGTH | W CONNECTIONS - Inches E ODF Solder Flange | | | | |
| | | | | | | INLET | | | | OUTLET |
| 22 (V) 407C (N) 407A (V) 422D (V) | Q | VVE-52 | 52 | Refer to Recommended Thermostatic Charges on page 3 | 5 ft. 1.5 m | 1-1/8 or 1-3/8 | 1-1/8 1-3/8 or 1-5/8 | 1.75 x 1.25 | 9 lbs. 4.09 kg | 10 lbs. 4.54 kg |
| | | VVE-70 | 70 | | | | | | | |
| | | VVE-100 | 100 | | | | | | | |
| 134a (J) 12 (F) 401A (X) 409A (F) | VJE-35 | 35 | | | | | | | | |
| | VJE-45 | 45 | | | | | | | | |
| | VJE-55 | 55 | | | | | | | | |
| 404A (S) 502 (R) 408A (R) | VSE-38 | 38 | | | | | | | | |
| | VSE-50 | 50 | | | | | | | | |
| | VSE-70 | 70 | | | | | | | | |
| 507 (P) 402A (L) | VPE-38 | 38 | | | | | | | | |
| | VPE-50 | 50 | | | | | | | | |
| | VPE-70 | 70 | | | | | | | | |

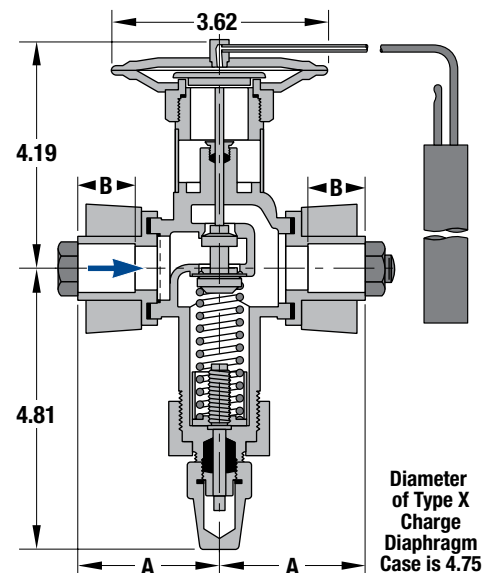
Q Standard External Equalizer Connection 1/4" SAE Flare. 1/4" ODF Solder connection available on request.
W FPT connections also available on request; 1/2" FPT - Part Number 360-000, 3/4" FPT - Part Number 360-001, 1" FPT - Part Number 362-000.
E ODF Solder indicates a female connection on the valve of proper diameter to receive copper tubing of corresponding OD size. Thus, 7/8" ODF will receive 7/8" OD tubing.

DIMENSIONS CONNECTIONS - Inches

| SOLDERING BUSHING | A | B |
|----------------------|------|------|
| 7/8 | 2.38 | 0.88 |
| 1-1/8 | 2.75 | 0.94 |
| 1-3/8 | 2.75 | 0.94 |
| 1-5/8 | 3.22 | 1.22 |

BULB SIZES - Inches

| STANDARD CHARGES | REFRIGERANT | | | |
|---------------------|----------------|------|----------------|-----|
| | 22 | 134a | 404A | 507 |
| C | 0.88 OD x 6.00 | | | |
| Z & ZP Series | 0.88 OD x 6.00 | - | 0.88 OD x 6.00 | |
| X | 0.88 OD x 6.00 | - | 0.88 OD x 6.00 | |
| CP Series | 0.75 OD x 4.00 | | | - |
| VGA | 0.75 OD x 4.00 | - | - | - |



TYPE W

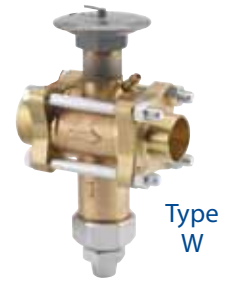
For Refrigerants 22, 134a
ODF Solder - Flange Connections

Sporlan Type W valve is a cast bronze body, externally adjustable valve available with ODF solder flange connections. The thermostatic element is replaceable, and the inlet connection has a permanent 12 mesh strainer. This valve features a dual port semi-balanced design, and it is designed primarily for large capacity chillers. A synthetic seating surface provides tight shut-off during system off periods. This valve provides the largest capacities available for flange connection TEVs.

Outlet Connections
1-3/8" ODF, 1-5/8" ODF

Mating Distributors (See Bulletin 20-10)
1117, 1125, 1126, 1127, 1128, 1143, 1657(R), 1659(R)

For complete details of construction, see page 35.



SPECIFICATIONS ELEMENT SIZE NO. 63 and 7, GASKET JOINT

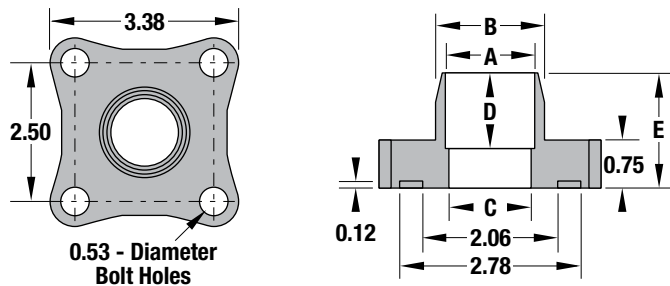
| REFRIGERANT (Sporlan Code) | VALVE TYPE External Equalizer Q | NOMINAL CAPACITY Tons of Refrigeration | THERMOSTATIC CHARGES AVAILABLE | ELEMENT SIZE NUMBER | Blue figures are standard and will be furnished unless otherwise specified. | | FLANGE RING SIZE OD x ID Inches R | NET WEIGHT | SHIPPING WEIGHT | |
|---|--|---|--------------------------------|---------------------|---|--|---|-------------|--------------------|--------------------|
| | | | | | STANDARD TUBING LENGTH | CONNECTIONS - Inches W ODF Solder Flange | | | | |
| | | | | | | INLET | | | | OUTLET |
| 22 (V) 407C (N) 407A (V) 422D (V) | WVE-135 | 135 | E | 63 | 10 ft. 3 m | 1-1/8 | 1-1/8 | 2.75 x 2.19 | 10 lbs. 4.54 kg | 11 lbs. 4.99 kg |
| | WVE-180 | 180 | G only | 7 | | 1-3/8 | 1-3/8 | | | |
| 134a (J) 12 (F) 401A (X) 409A (F) | WJE-80 | 80 | E | 63 | | 1-5/8 or 2-1/8 | 1-5/8 or 2-1/8 | | | |
| | WJE-110 | 110 | G only | 7 | | | | | | |

Q Standard External Equalizer Connection 1/4" SAE Flare, 1/4" ODF Solder connection available on request.

W ODF Solder indicates a female connection on the valve of proper diameter to receive copper tubing of corresponding OD size. Thus, 1-1/8" ODF will receive 1-1/8" OD tubing.

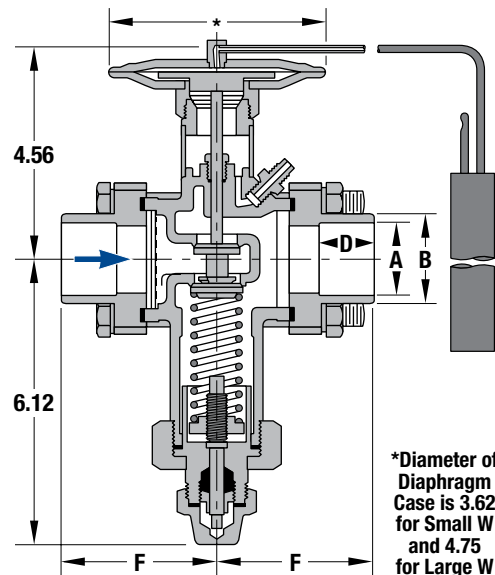
E Refer to Recommended Thermostatic Charges, page 3.

R For 1-1/2" NPT connections, order flanges separately for MA42 solenoid eg P/N 933-1. The customer must supply 5/8" diameter x 6" long bolts and 5/8" diameter nuts.



DIMENSIONS CONNECTIONS - Inches

| FITTING SIZE | A | B | C | D | E | F |
|--------------|------|------|------|------|------|------|
| 1-1/8 | 1.12 | 1.27 | 1.06 | 0.91 | 1.56 | 3.09 |
| 1-3/8 | 1.38 | 1.53 | 1.28 | 0.97 | 1.62 | 3.16 |
| 1-5/8 | 1.62 | 1.78 | 1.50 | 1.09 | 1.75 | 3.28 |
| 2-1/8 | 2.12 | 2.44 | 1.94 | 1.34 | 1.53 | 3.25 |



BULB SIZES - Inches

| STANDARD CHARGES | ELEMENT SIZE NUMBER | REFRIGERANT | |
|------------------|---------------------|----------------|------|
| | | 22 | 134a |
| C | 63 | 0.88 OD x 6.00 | |
| Z & ZP Series | | 0.88 OD x 6.00 | - |
| X | | 0.88 OD x 6.00 | - |
| CP Series | | 0.75 OD x 4.00 | |
| VGA | 7 | 0.75 OD x 4.00 | - |
| G | | 0.75 OD x 4.00 | - |







MATERIALS & DETAILS OF CONSTRUCTION

| VALVE TYPE | BODY | SEAT | PIN | PIN CARRIER | PUSHROD(S) | TYPE OF JOINTS | CONNECTIONS | INLET STRAINER |
|------------|--------------------|---|--|-------------|---|---|--|----------------------------|
| RC | Machined Brass Bar | Brass Port Machined in Body | Stainless Steel | – | Stainless Steel | Knife Edge to Metal | Chatleff, SAE Flare, ODF Copper Fittings Silver Soldered to Body | No Strainer |
| ER | Machined Brass Bar | Brass Port Machined in Body | Stainless Steel | – | Stainless Steel | Knife Edge to Metal | ODF Copper Fittings Silver Soldered to Body | No Strainer |
| F | Machined Brass Bar | Brass | Stainless Steel | Brass | Stainless Steel | Knife Edge to Metal | SAE Flare Fittings Silver Soldered to Body | Removable Strainer Screen |
| EF | Machined Brass Bar | Brass | Stainless Steel | Brass | Stainless Steel | Knife Edge to Metal | ODF Copper Fittings Silver Soldered to Body | Insert Strainer |
| Q/ BQ | Machined Brass Bar | Brass | Stainless Steel | Brass | Stainless Steel | Knife Edge to Metal | SAE Flare Fittings Silver Soldered to Body | Removable Strainer Screen |
| SQ/SBQ | Machined Brass Bar | Brass | Stainless Steel | Brass | Stainless Steel | Knife Edge to Metal | ODF Copper Fittings Silver Soldered to Body | |
| EQ/EBQ | Machined Brass Bar | Brass | Stainless Steel | Brass | Stainless Steel | Knife Edge to Metal | Extended Copper Fittings Silver Soldered to Body | Insert Strainer |
| G | Brass Forging | Brass | Stainless Steel | Brass | Internally Equalized: Triangular Stainless Steel Externally Equalized: Round Stainless Steel | Knife Edge to Metal | SAE Flare, Integral Part of Brass Forged Body | Removable Strainer Screen |
| EG | Brass Forging | Brass | Stainless Steel | Brass | | Knife Edge to Metal | ODF Copper Fittings Silver Soldered to Body | |
| S | Machined Brass Bar | Brass | Stainless Steel | Brass | | Knife Edge to Metal | ODF Copper Fittings Silver Soldered to Body | Coarse Mesh Strainer Disc |
| BF | Machined Brass Bar | Brass | Stainless Steel | – | Stainless Steel | Knife Edge to Metal | SAE Flare Fittings Silver Soldered to Body | Removable Strainer Screen |
| SBF | Machined Brass Bar | Brass | Stainless Steel | – | Stainless Steel | Knife Edge to Metal | ODF Copper Fittings Silver Soldered to Body | |
| EBF | Machined Brass Bar | Brass | Stainless Steel | – | Stainless Steel | Knife Edge to Metal | Extended Copper Fittings Silver Soldered to Body | Insert Strainer |
| EBS | Machined Brass Bar | Brass Port Machined in Body | Stainless Steel | – | Stainless Steel | Knife Edge to Metal | ODF Copper Fittings Silver Soldered to Body | Coarse Mesh Strainer Disc |
| SMALL O | Machined Brass Bar | Brass Port Machined in Body | Brass Piston With Synthetic Seating Surface | – | Stainless Steel | Knife Edge to Metal | ODF Copper Fittings Silver Soldered to Body | Coarse Mesh Strainer Disc |
| LARGE O | Machined Brass Bar | Brass Port Machined in Body | | – | Stainless Steel | Knife Edge At Element and Bottom Cap Gasket At Seal Cap | ODF Copper Fittings Silver Soldered to Body | Coarse Mesh Strainer Disc |
| H | Machined Brass Bar | Stainless Steel or Brass | Stainless Steel | Brass | Stainless Steel | | | Solder-Flange, Pipe Flange |
| M | Bronze Casting | Stainless Steel or Brass | Stainless Steel | Brass | Stainless Steel | Gasket | Solder-Flange, Pipe Flange | Coarse Mesh Strainer Disc |
| V | Bronze Casting | Dual Port, Seats Machined in Valve Body | Bronze Piston With Synthetic Sealing Surface | – | Stainless Steel | Gasket | Solder-Flange, Pipe Flange | Coarse Mesh Strainer Disc |
| W | Bronze Casting | | | – | Stainless Steel | Gasket | Solder-Flange, Pipe Flange | Coarse Mesh Strainer Disc |

NOTE: Materials and Construction specifications listed on this page may change without notice. Contact Sporlan Division of Parker for current specifications on materials and other details of construction.

OEM TYPE THERMOSTATIC EXPANSION VALVES

In addition to the standard line of Thermostatic Expansion Valves listed in this bulletin, special valve types are also available to fill manufacturers' specific requirements. Listed below are examples of valves that are supplied for quantity orders.

| VALVE TYPE | CONNECTION TYPE | VALVE DESCRIPTION and APPLICATION | TYPICAL REPLACEMENT TEVs |
|--|-------------------------------|--|---|
| BI*/BBI  *BI is OBSOLETE. | SAE Flare or ODF Solder | Small brass body valve available with either angle style or straight through connections. Type BI valves with straight through connections are normally supplied non-adjustable. The Type BBI is a Type BI valve modified to incorporate balanced port construction. The thermostatic element is not replaceable on valves manufactured prior to 1994. Current models use a replaceable No. 43 element. Typical applications: small capacity R-22 air conditioning and heat pump systems. | ER, RC, G, EG, S, Q, SQ, EQ, BQ, SBQ, EBQ |
| Y997-BI  OBSOLETE | SAE Flare or ODF Solder | Type BI valve modified to incorporate an internal check valve and bypass tube to allow for reverse flow with heat pump applications. The valve is not adjustable. The thermostatic element is not replaceable on valves manufactured prior to 1994. Current models use a replaceable No. 43 element. Typical applications: small capacity R-22 heat pump systems. | RC, G, EG, S, Q, SQ, EQ, BQ, SBQ, EBQ Note: A check valve may be required for install around the TEV to allow flow in the reverse direction. |
| I  OBSOLETE | SAE Flare or ODF Solder | Small brass body valve available with either angle style or straight through connections. Type I valves with straight through connections are normally supplied non-adjustable. Current models use a replaceable No. 43 element. This valve is available with the Rapid Pressure Balancer (RPB) feature for off-cycle pressure equalization. Typical applications: small capacity R-22 air conditioning and heat pump systems. | ER, RC, G, EG, S, Q, SQ, EQ, BQ, SBQ, EBQ |
| CBI*/CBBI  *CBI is OBSOLETE. | SAE Flare or ODF Solder | Type BI/BBI valves modified to incorporate an internal check valve to allow for reverse flow with heat pump applications. Type CBI/CBBI valves with straight through connections are normally supplied non-adjustable. The valve uses a replaceable No. 43 element. Typical applications: small capacity R-22 heat pump systems. | RC, G, EG, S, Q, SQ, EQ, BQ, SBQ, EBQ Note: A check valve may be required for install around the TEV to allow flow in the reverse direction. |
| FB  | SAE Flare or ODF Solder | Small brass body valve available only with straight through connections and external adjustment. The thermostatic element is not replaceable on valves manufactured prior to 1994. Current models use a replaceable No. 43 element. Typical applications: small capacity air conditioning and refrigeration applications where an external adjustment is desired. | ER, RC, G, EG, S, Q, SQ, EQ, BQ, SBQ, EBQ |
| X  OBSOLETE | SAE Flare or ODF Solder | Brass body valve available with either angle style or straight through connections. Angle style valve is available only with SAE flare connections. Type X valves with straight through connections are normally supplied non-adjustable. The thermostatic element is a replaceable type, size number 53. This valve is available with the Rapid Pressure Balancer (RPB) feature in certain nominal capacities for off-cycle pressure equalization. Typical applications: R-22 air conditioning and heat pump systems. | ER, RC, G, EG, S, Q, SQ, EQ, BQ, SBQ, EBQ |

FEATURES NOT INCLUDED IN THIS BULLETIN

Special features such as non-adjustable construction or similar modifications are also available for both standard and special valves when ordered in reasonable quantities.

Automatic (constant pressure) expansion valves are also available on special order.

If you have a special valve application, contact your Sporlan Sales Engineer or Sporlan Division, Parker Hannifin, 206 Lange Drive, Washington, Missouri 63090, 636-239-1111.



Parker Hannifin Ltd
Climate and Industrial Controls Group
Refrigeration and Air Conditioning Europe
Cortonwood Drive, Brampton
South Yorkshire S73 0UF
United Kingdom
phone +44 (0) 1226 273400
fax +44 (0) 1226 273401
www.parker.com/race