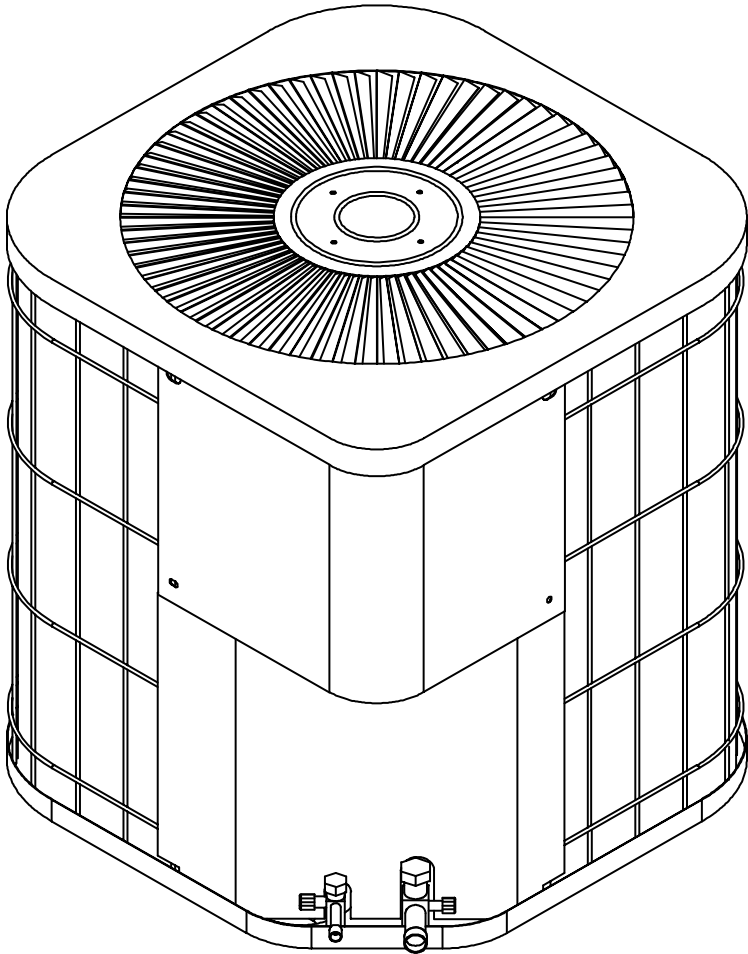
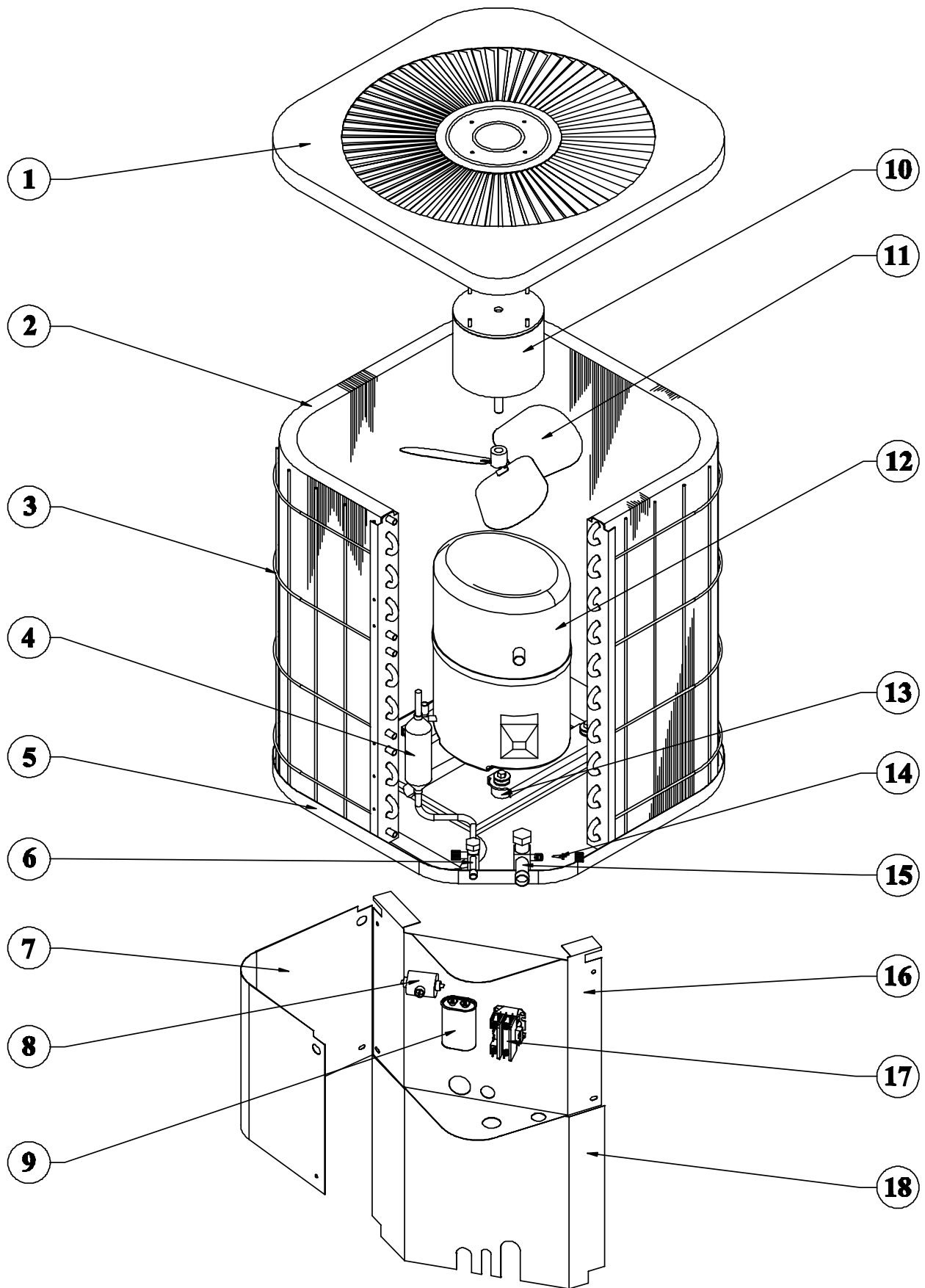


REPAIR PARTS

MODEL: CK SERIES
10 SEER SERIES
CONDENSING UNITS





REPLACEMENT PARTS LIST

UNIT: CONDENSING UNIT

MODEL: CK

REF. NO.	PART NO.	DESCRIPTION	QTY. PER SIZE															
			C K 1 8 -1	C K 2 4 -1	C K 2 4 -1	C K 3 0 -1	C K 3 0 -1	C K 3 0 -1	C K 3 0 -1	C K 3 6 -1	C K 3 6 -1	C K 3 6 -1	C K 3 6 -1	C K 3 6 -1	C K 3 6 -1	C K 3 6 -1	C K 3 6 -1	
1	1779405P	PANEL, TOP (LOUVERED)	1	1	1	1	1	1	1	1	1	1	1	1	1	1	1	
2	**1265000	COIL, COND., (FORMED)(22.5" X 60")	1															
	**1265001	COIL, COND., (FORMED)(25.0" X 60")		1		1	1	1								1		
	**1265002	COIL, COND., (FORMED)(27.5" X 60")							1	1	1			1	1	1		
	1265005	COIL, COND., (FORMED)(22.5" X 60")			1				1									
	1264919	COIL, COND., (FORMED)(25.0" X 60")										1						
3	B1259522	GRILLE, INLET, (22.5")	1		1				1									
	B1259525	GRILLE, INLET, (25.0")		1		1	1	1				1				1		
	B1259527	GRILLE, INLET, (27.5")							1	1	1		1	1	1			
4	B1219217	DRIER, FILTER, PARKER #053817-01	1	1	1	1	1	1	1	1	1	1	1	1	1	1		
5	1787209P	PAN, BOTTOM (SMALL)	1	1	1	1	1	1	1	1	1	1	1	1	1	1		
6	B1282565	VALVE, BASE, LIQUID LINE 3/8" SWEAT X 3/8" SWEAT	1	1	1	1	1	1	1	1	1	1	1	1	1	1		
7	1787624P	COVER, CONTROL BOX	1	1	1	1	1	1	1	1	1	1	1	1	1	1		
8	B1141670	ASSIST, START											1					
9	B945650	CAPACITOR, RUN, 5 MFD, 370 VAC													1	1		
	B94575300	CAPACITOR, DUAL-SECTION, 35 MFD, 5 MFD, 370 VAC					1	1	1									
	B94575500	CAPACITOR, DUAL-SECTION, 40 MFD, 5 MFD, 370 VAC									1							
	B94576000	CAPACITOR, DUAL-SECTION, 25 MFD, 5 MFD, 370 VAC	1															
	B94577200	CAPACITOR, DUAL-SECTION, 45 MFD, 5 MFD, 370 VAC				1				1	1		1	1				
	B94578700	CAPACITOR, DUAL-SECTION, 30 MFD, 5 MFD, 370 VAC		1	1													
10	B13400251	MOTOR, CONDENSER, FAN, 1/6 HP 208/230-60-1,1 SP, PSC, 1075 RPM, GE # 5KCP39BGP870S EMERSON # KA55HXEEA-711 A.O. SMITH # F48A90A76 A.O. SMITH # F48A96A75								1	1	1	1	1	1	1		
	*B13400251	MOTOR, CONDENSER, FAN, 1/6 HP 208/230-60-1,1 SP, PSC, 1075 RPM, GE # 5KCP29ECA033S	1	1	1	1	1	1	1									
11	B1086756	FAN, CONDENSER, 3 BLADE, 29° PITCH, 18" DIA., LAU #609109-01 28° PITCH, ***REVCOR #T1803-28L	1	1	1	1	1	1	1	1	1	1	1	1	1	1		

* For motor replacement order B13400-251

** New coil is same height except circuit pattern has changed. Tubing must be modified in the field for proper fit.

*** Motor shaft must protrude a minimum of 3/8" past the fan hub to minimize vibration.

REPLACEMENT PARTS LIST

UNIT: CONDENSING UNIT

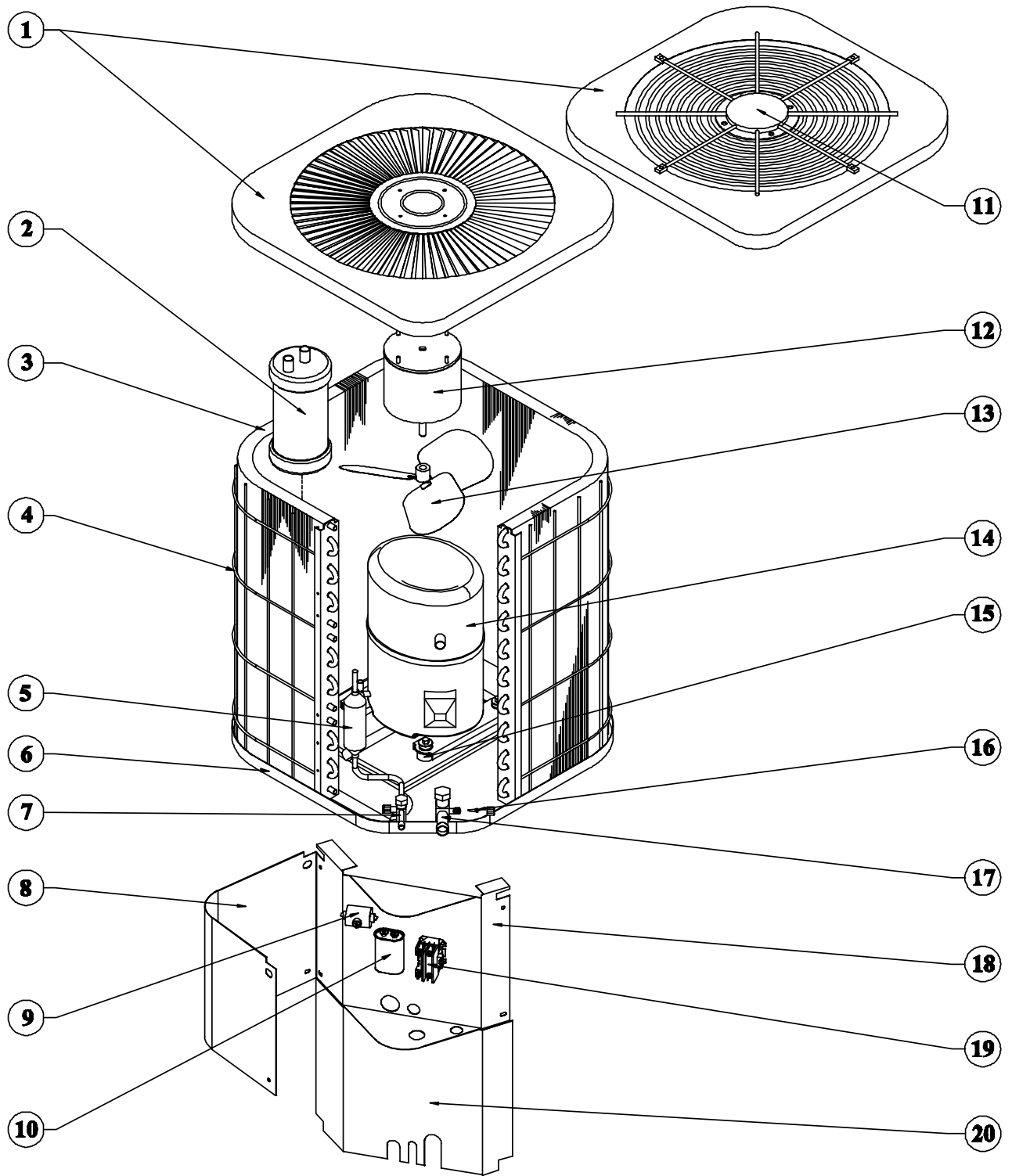
MODEL: CK

REF. NO.	PART NO.	DESCRIPTION	QTY. PER SIZE													
			C K 1 8 -1	C K 2 4 -1	C K 2 4 -1	C K 3 0 -1	C K 3 0 -1	C K 3 0 -1	C K 3 0 -1	C K 3 6 -1	C K 3 6 -1	C K 3 6 -1	C K 3 6 -1	C K 3 6 -1	C K 3 6 -1	C K 3 6 -1
12	*B9266812A *B9266226 B9266606A *B9266602A *B9266606A *B9266609A B9266602A B9266606A B9266639A B9266606A B9266606A	COMPRESSOR, 208/230-60-1 BRISTOL #H23B223ABCA COMPRESSOR, 208/230-60-1 BRISTOL #H23B153ABCA COMPRESSOR, 200/230-60-1 COPELAND #CR35K6-PFV-230 COMPRESSOR, 208/230-60-1 BRISTOL (INERTIA) #H25B28QABCA COMPRESSOR, 208/230-60-1 BRISTOL (INERTIA) #H25B35QABCA COMPRESSOR, 208/230-60-3 BRISTOL # H25B35QDBLA COMPRESSOR, 208/230-60-1 TECUMSEH #AW5528H-W050 COMPRESSOR, 208/230-60-1 TECUMSEH #AV5535F-W050 COMPRESSOR, 208/230-60-1 BRISTOL #H29B28UABCA COMPRESSOR, 208/230-60-1 BRISTOL #H29B35UABCA COMPRESSOR, 208/230-60-3 BRISTOL #H29B35UDBLA	1	1	1	1	1	1	1	1	1	1	1	1	1	1
13	B1339530	GROMMET, COMPRESSOR	4	4	4	4	4	4	4	4	4	4	4	4	4	4
14	B1787000	CORE, VALVE	2	2	2	2	2	2	2	2	2	2	2	2	2	2
15	B1282566	VALVE, BASE, SUCTION LINE 3/4" SWEAT X 3/4" SWEAT	1	1	1	1	1	1	1	1	1	1	1	1	1	1
16	1787623	BOX, CONTROL	1	1	1	1	1	1	1	1	1	1	1	1	1	1
17	B1360315 B1360321	CONTACTOR, 40 AMP, 240 LRA, 3 P 240/277 VOLTS, 24 VOLT COIL CONTACTOR, 25 AMP, 125 LRA, 1 P 240/277 VOLTS, 24 VOLT COIL	1	1	1	1	1	1	1	1	1	1	1	1	1	1
18	1787706P 1787707P 1787708P	PANEL, ACCESS, (22.5") PANEL, ACCESS, (25.0") PANEL, ACCESS, (27.5")	1	1	1	1	1	1	1	1	1	1	1	1	1	1
19	B260S8291	SPRAY PAINT (HIGH GLOSS BAHAMA BEIGE)														

* "A" suffix on Bristol compressors designates a straight suction compressor stub and without "A" suffix designates an elbow on suction compressor stub.

NOTE: - CKB18-1 and CKB24-1 same as CK18-1 and CK24-1, except Compressor noise blanket B14888-01.

- CKB30-1 same as CK30-1, except Compressor noise blanket B14888-02.



REPLACEMENT PARTS LIST

UNIT: CONDENSING UNIT

MODEL: CK

REF. NO.	PART NO.	DESCRIPTION	QTY. PER SIZE								
			C K 4 2 - 1	C K 4 9 - 1	C K 4 9 - 3	C K 6 0 - 1	C K 6 0 - 1 A	C K 6 0 - 3	C K 6 0 - 4	C K 6 2 - 1	C K 6 2 - 1 A
1	1779405P 1779406P 1779407P	PANEL, TOP (LOUVERED) PANEL, TOP (LOUVERED) PANEL, TOP (FOR FAN GRILLE)	1	1	1	1	1	1	1	1	1
2	B1226207	ACCUMULATOR, (7/8 O.D.)								1	
3	1265003 1264925 1264926 **1264945 1264927	COIL, COND., (FORMED)(30.0" X 60") COIL, COND., (FORMED)(25.0" X 84") COIL, COND., (FORMED)(30.0" X 84") COIL, COND., (FORMED)(37.5" X 84") COIL, COND., (FORMED)(37.5" X 84")	1	1	1	1	1	1	1	1	1
4	B1259530 B1259625 B1259630 B1259637	GRILLE, INLET, (30.0" SMALL) GRILLE, INLET, (25.0" LARGE) GRILLE, INLET, (30.0" LARGE) GRILLE, INLET, (37.5" LARGE)	1	1	1	1	1	1	1	1	1
5	B1219217 B1219220	DRIER, FILTER PARKER #053817-01 DRIER, FILTER PARKER #03226-00	1	1	1	1	1	1	1	1	1
6	1787209P 1787210P	PAN, BOTTOM (SMALL) PAN, BOTTOM (LARGE)	1	1	1	1	1	1	1	1	1
7	B1282565	VALVE, BASE, LIQUID LINE 3/8" SWEAT X 3/8" SWEAT	1	1	1	1	1	1	1	1	1
8	1787624P	COVER, CONTROL BOX	1	1	1	1	1	1	1	1	1
9	B1141670	ASSIST, START								1	
10	B945650 B94575600 B94575800 B94577500	CAPACITOR, RUN 5 MFD, 370 VAC CAPACITOR, DUAL-SECTION 40 MFD, 5 MFD, 440 VAC CAPACITOR, DUAL-SECTION 55 MFD, 5 MFD, 440 VAC CAPACITOR, DUAL-SECTION 60 MFD, 5 MFD, 370 VAC	1	1	1	1	1	1	1	1	1
11	B1376916	GUARD, GRILLE FAN 22" DIA.								1	
12	B13400247 B13400248 *B13400251 B13400269	MOTOR, FAN, 208/230-60-1, 1 SP, PSC, 1075 RPM, 1/4 HP, AO # F48F97A76 G.E. # 5KCP39EGT974 S MOTOR, FAN, 208/230-60-1, 1 SP, 1/3 HP PSC, 1075 RPM, AO # F48G94A76 G.E. # 5KCP39JGP825AS MOTOR, FAN, 208/230-60-1 1 SPEED, PSC, 1075 RPM, 1/6 HP GE #5KCP29ECA033S MOTOR, FAN, 380/460-50/60-1, 1SP, 1/4HP PSC, 1/4 HP, A.O. SMITH #F48G54A76, 1075 RPM G.E. #5KCP39FGP642S, 950/1050 RPM	1	1	1	1	1	1	1	1	1
13	B1086748 B1086750 B1086756	FAN, CONDENSER, 3 BLADE, 22" DIA. LAU #609366-01, 30° PITCH FAN, CONDENSER, 3 BLADE 24° PITCH, 22" DIA., LAU #609107-01 FAN, CONDENSER, 3 BLADE, 29° PITCH, 18" DIA., LAU #609109-01	1	1	1	1	1	1	1	1	1

* FOR MOTOR REPLACEMENT ORDER B13400-251

** NEW COND. COIL 12649-46 IS INTERCHANGEABLE WITH 12649-32 IN THE FIELD

REPLACEMENT PARTS LIST

UNIT: CONDENSING UNIT

MODEL: CK

REF. NO.	PART NO.	DESCRIPTION	QTY. PER SIZE									
			C K 4 2 - 1	C K 4 9 - 1	C K 4 9 - 3	C K 6 0 - 1	C K 6 0 - 1 A	C K 6 0 - 3	C K 6 0 - 4	C K 6 2 - 1	C K 6 2 - 1 A	
14	*B9266204A	COMPRESSOR, 208/230-60-3 BRISTOL #H23A423DBLA			1							
	*B9266672	COMPRESSOR, 208/230-60-1 BRISTOL #H23A423ABCA		1								
	B9266342	COMPRESSOR, 208/230-60-1 COPELAND #CR42K6-PFV-230	1									
	B9266353	COMPRESSOR, 208/230-60-3 COPELAND #ZR57KC-TF5-230					1					
	B9266657	COMPRESSOR, 460-60-3 COPELAND #ZR57KC-TFD-230							1			
	B9266355	COMPRESSOR, 208/230-60-1 COPELAND #ZR57KC-PFV-250			1							
	B9266359	COMPRESSOR, 208/230-60-1 COPELAND #ZR61KC-PFV-250									1	
	*B9266675A	COMPRESSOR, 208/230-60-1 BRISTOL #H27A62QCBCA								1		
	B9266850	COMPRESSOR, 208/230-60-1 BRISTOL SCROLL #H20A583ABCA					1					
15	B1339530	GROMMET, COMPRESSOR	4	4	4							
	B1339533	GROMMET, COMPRESSOR (COPELAND #027-0186-00)				4	4	4	4	4		
16	B1787000	CORE, VALVE	2	2	2	2	2	2	2	2		
17	B1282567	VALVE, BASE, SUCTION LINE 7/8" SWEAT X 7/8" SWEAT	1	1	1	1	1	1	1	1		
18	1787623	BOX, CONTROL	1	1	1	1	1	1	1	1		
19	B1360305	CONTACTOR, 40 AMP, 240 LRA, 2 POLE 240/277 VOLTS, 24 VOLT COIL				1	1				1	
	B1360315	CONTACTOR, 40 AMP, 240 LRA, 3 POLE 240/277 VOLTS, 24 VOLT COIL			1			1	1			
	B1360321	CONTACTOR, 25 AMP, 125 LRA, 1 POLE 240/277 VOLTS, 24 VOLT COIL	1	1								
	B1360325	CONTACTOR, 35 AMP, 150 LRA, 1 POLE 240/277 VOLTS, 24 VOLT COIL								1		
20	1787707P	PANEL, ACCESS, (25.0")		1	1							
	1787709P	PANEL, ACCESS, (30.0")	1			1	1	1	1			
	1787717P	PANEL, ACCESS, (37.5")								1		
21	B26OS8291	PAINT, SPRAY (HIGH GLOSS BAHAMA BEIGE)										

- "A" suffix on Bristol compressors designates a straight suction compressor stub and without "A" suffix designates an elbow on suction compressor stub.

NOTE: SPECIFICATIONS AND PERFORMANCE DATA LISTED HEREIN ARE SUBJECT TO CHANGE WITHOUT NOTICE.