

VR4300 Continuous Pilot Combination Gas Control

Application

These continuous pilot gas controls are used in gas-fired appliances with capacities up to 300 feet³/hour at one inch wc pressure drop [5.7 meters³/hour at 0.25 kPa] on natural gas. They include a manual valve, safety shutoff, two automatic operators, a pressure regulator, pilot adjustment, and a conduit cover. See Table 1 for temperature ranges and regulator types.

BODY PATTERN: Straight-through body pattern.

INLET X OUTLET SIZES AVAILABLE: 1/2 by 3/4 inch and 3/4 by 3/4 inch.

ADAPTERS: Adapters available for 1/2 and 3/4 inch straight and angle connections. Refer to Table 2.

ELECTRICAL RATINGS:

Voltage and Frequency: 120 Vac, 60 Hz.

Current Draw: 0.14A.

Use conversion factors in Table 3 to convert capacities for other gases.

CAPACITY:

Inlet x Outlet Size (In.)	Capacity at 1 inch wc Pressure Drop ^a	Minimum Regulated Capacity	Maximum Regulated Capacity
1/2 X 1/2	180 feet ³ /hour [5.1 meter ³ /hour]	30 feet ³ /hour [0.8 meter ³ /hour]	225 feet ³ /hour [6.4 meter ³ /hour]
1/2 X 3/4	190 feet ³ /hour [5.4 meter ³ /hour]	30 feet ³ /hour [0.8 meter ³ /hour]	290 feet ³ /hour [8.2 meter ³ /hour]
3/4 X 3/4	200 feet ³ /hour [5.7 meter ³ /hour]	30 feet ³ /hour [0.8 meter ³ /hour]	300 feet ³ /hour [8.5 meter ³ /hour]

^a Capacity based on 1000 Btu/feet³, 0.64 specific gravity natural gas at 1 inch wc pressure drop [37.3 MJ/meter³, 0.64 specific gravity natural gas at 0.25 kPa pressure drop].

TABLE 1—TEMPERATURE RANGES AND REGULATOR TYPES.

Model Number	Ambient Temperature Range	Regulator Type
VR4300A	0° F to 175° F [-18° C to +79° C]	Standard-opening
VR4300C	0° F to 175° F [-18° C to +79° C]	Step-opening
VR4300H	0° F to 175° F [-18° C to +79° C]	Slow-opening
VR4300M	-40° F to 175° F [-40° C to +79° C]	Standard-opening
VR4300P	-40° F to 175° F [-40° C to +79° C]	Step-opening

TABLE 2—ADAPTER (FLANGE) PART NUMBERS.

Inlet/Outlet Pipe Size	Flange Type	Part Number	
		Without Hex Wrench	With Hex Wrench
1/2 inch NPT	Straight	393690-6	393690-16
	Elbow	393690-3	393690-13
3/4 inch NPT	Straight	393690-4	393690-14
	Elbow	393690-5	393690-15

NOTE: Flange kits include one flange with attached O-ring and fan mounting screw.

TABLE 3—GAS CAPACITY CONVERSION FACTORS.

Gas	Specific Gravity	Multiply Listed Capacity By
Manufactured	0.60	0.516
Mixed	0.70	0.765
Propane	1.53	1.62

APPROVALS:

American Gas Association design certificate: UP-70-57A.

Canadian Gas Association design certificate: 1029-CC-8375.

Installation

WHEN INSTALLING THIS PRODUCT...

1. Read these instructions carefully. Failure to follow them could damage the product or cause a hazardous condition.
2. Check the ratings given in the instructions and on the product to assure the product is suitable for your application.
3. Assure installer is a trained, experienced service technician.
4. After installation is complete, use these instructions to check out product operation.



WARNING

FIRE OR EXPLOSION HAZARD CAN CAUSE PROPERTY DAMAGE, SEVERE INJURY, OR DEATH

Follow these warnings exactly:

1. Disconnect power supply before wiring to prevent electrical shock or equipment damage.
2. To avoid dangerous accumulation of fuel gas, turn off gas supply at the appliance service valve before starting installation, and perform Gas Leak Test after completion of installation.
3. Do not bend pilot tubing at gas control or pilot burner after compression fitting has been tightened because gas leakage at the connection can result.
4. Always install sediment trap in gas supply line to prevent contamination of gas control.
5. Do not force the gas control knob. Use only your hand to push down the reset button or turn the gas control knob. Never use any tools. If the gas control knob or reset button will not operate by hand, replace the gas control using a qualified service technician. Force or attempted repair can result in fire or explosion.



CAUTION

Never apply a jumper across or short the valve coil terminals. This may burn out the heat anticipator in the thermostat.

IMPORTANT:

1. These gas controls are shipped with protective seals over inlet and outlet tappings. Do not remove seals until ready to connect piping.
2. When a gas control is installed external to the appliance, a conduit cover **MUST** be installed. Make sure that conduit cover is placed over the flange before rotating conduit cover into position.

Follow the appliance manufacturer's instructions if available; otherwise, use the instructions provided below.

CONVERTING BETWEEN NATURAL AND LP GAS



WARNING

FIRE OR EXPLOSION HAZARD CAN CAUSE PROPERTY DAMAGE, SEVERE INJURY, OR DEATH

Do not use a gas control set for natural gas on LP gas or a gas control set for LP gas on natural gas.

To convert a gas control from natural gas to LP gas or from LP gas to natural gas, contact your Honeywell representative.

Convert standard- or slow-opening gas controls from one gas to another with a conversion kit (ordered separately). Order part number 393691 to convert from natural to LP gas. Order part number 394588 to convert from LP to natural gas. Step-opening gas controls cannot be converted.

INSTALL ADAPTERS TO CONTROL

If adapters are to be installed on the gas control, mount them as follows:

Flanges

1. Choose the appropriate flange for your application.
2. Remove seal over gas control inlet or outlet.
3. Assure the O-ring is fitted in the groove of flange. If the O-ring is not attached or is missing, do not use flange.
4. With O-ring facing gas control, align the screw holes on the gas control with the holes in the flange. Insert and tighten the screws provided with the flange. See Fig. 1. Tighten the screws to 25 inch pounds of torque to provide a gas-tight seal.

Bushings

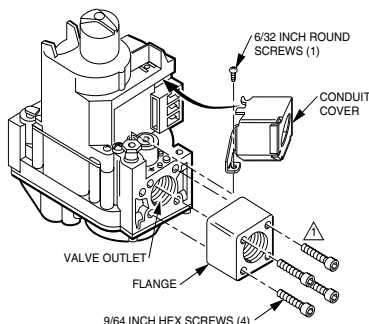
1. Remove seal over gas control inlet or outlet.
2. Apply moderate amount of good quality pipe compound to bushing, leaving two end threads bare. On LP installation, use compound resistant to LP gas. Do *not* use Teflon tape.
3. Insert bushing in gas control and thread pipe carefully into bushing until tight.

Complete instructions below for piping, installing gas control, connecting pilot tubing, thermocouple and wiring. Make certain the leak test you perform on the control after completing the installation includes leak testing the adapters and screws. If you use a wrench on the valve after flanges are installed, use the wrench on only the flange, not on the control.

USING ADAPTERS TO SOLVE SWING RADIUS PROBLEMS

In some field service applications, it is difficult or impossible to thread the gas control onto the gas supply pipe because of space limitations. This problem can be resolved in many applications by using an adapter. Install the adapter on the end of the supply pipe in place of the gas

Fig. 1—Install flange to gas control.



⚠ DO NOT OVERTIGHTEN SCREWS. TIGHTEN TO 25 INCH POUNDS.

M3098A

control by following the same precautions and instructions that are used for installing the gas control. After the adapter is installed, attach the gas control to the adapter as outlined above. Note that using an adapter increases the overall length of the gas control.

LOCATION

Mount the combination gas control in the appliance vestibule on the gas manifold. If this is a replacement application, mount the gas control in the same location as the old control.

Do not locate the gas control where it can be affected by steam cleaning, high humidity, dripping water, corrosive chemicals, dust or grease accumulation, or excessive heat. To assure proper operation, follow these guidelines:

- Locate gas control in a well-ventilated area.
- Mount gas control high enough above the cabinet bottom to avoid exposure to flooding or splashing water.
- Assure the ambient temperature does not exceed the ambient temperature ratings for each component.
- Cover gas control if appliance is cleaned with water, steam, or chemicals or to avoid dust and grease accumulation.
- Avoid locating gas control where exposure to corrosive chemical fumes or dripping water is possible.

Install Piping to Gas Control

All piping must comply with local codes and ordinances or with the National Fuel Gas Code (ANSI Z223.1 NFPA No. 54), whichever applies. Tubing installation must comply with approved standards and practices.

1. Use new, properly reamed pipe free from chips. If tubing is used, assure the ends are square, deburred and clean. All tubing bends must be smooth and without deformation.
2. Run pipe or tubing to the gas control. If tubing is used, obtain a tube-to-pipe coupling to connect the tubing to the gas control.
3. Install sediment trap in the supply line to the gas control. See Fig. 2.

Install Gas Control

1. Mount the gas control 0-90 degrees, in any direction including vertically, from the upright position of the gas control knob.
2. Mount the gas control so gas flow is in the direction of the arrow on the bottom of the gas control.
3. Thread pipe the amount shown in Table 4 for insertion into gas control. *Do not thread pipe too far.* Valve distortion or malfunction may result if the pipe is inserted too deeply into the gas control. See Fig. 3.

TABLE 4—NPT PIPE THREAD LENGTH IN in.

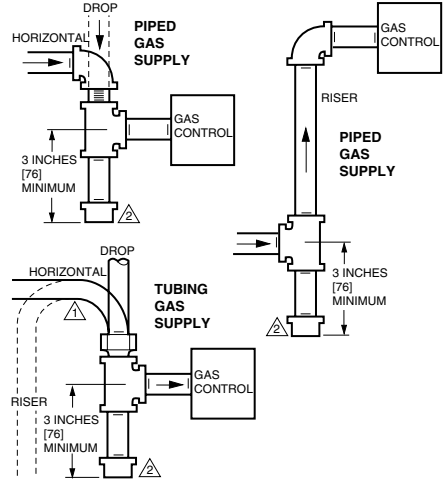
Pipe Size	Thread Pipe This Amount	Maximum Depth Pipe Can Be Inserted Into Control
3/8	9/16	3/8
1/2	3/4	1/2
3/4	13/16	3/4

4. Apply a moderate amount of good quality pipe compound (do *not* use Teflon tape) to pipe only, leaving two end threads bare. On LP installations, use compound resistant to LP gas.

5. Remove seals over gas control inlet and outlet if necessary.

6. Connect pipe to gas control inlet and outlet. Use wrench on the square ends of the gas control. If an adapter is used, place wrench on adapter rather than gas control. Refer to Figs. 4 and 5.

Fig. 2—Sediment trap installation.



- ⚠ ALL BENDS IN METALLIC TUBING SHOULD BE SMOOTH.
- ⚠ CAUTION: SHUT OFF THE MAIN GAS SUPPLY BEFORE REMOVING END CAP TO PREVENT GAS FROM FILLING THE WORK AREA. TEST FOR GAS LEAKAGE WHEN INSTALLATION IS COMPLETE. M3077

Fig. 3—Use moderate amount of pipe compound.

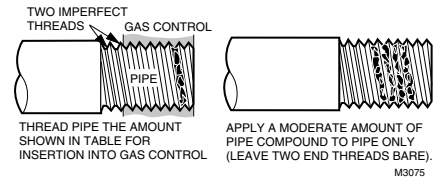


Fig. 4—Top view of gas control.

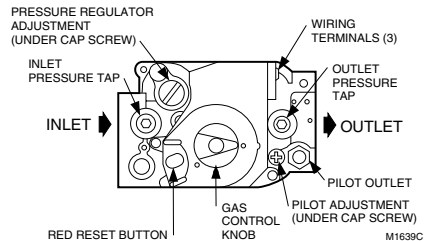
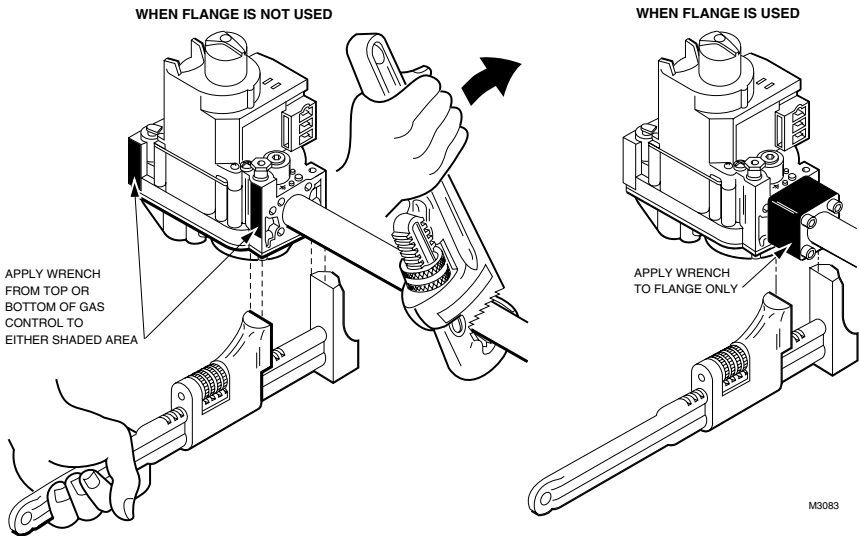


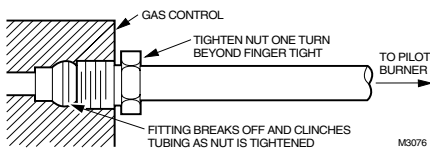
Fig. 5—Proper use of wrench on gas control.



Connect Pilot Gas Tubing

1. Cut tubing to desired length and bend as necessary for routing to pilot burner. Do not make sharp bends or deform the tubing. Do not bend tubing at gas control or pilot burner after compression fitting has been tightened, because this can result in gas leakage at the connection.
2. Square off and remove burrs from end of tubing.
3. Unscrew compression fitting from the pilot outlet. See Fig. 4. Slip the compression fitting over the tubing and slide out of the way.

Fig. 6—Always use new compression fitting.



NOTE: When replacing a gas control, cut off old compression fitting and replace with the new compression fitting provided on the gas control. Never use the old compression fitting because it may not provide a gas-tight seal.

4. Push tubing into the pilot gas tapping on the outlet end of the control until it bottoms. While holding tubing all the way in, slide compression fitting into place, engage threads and turn until finger tight. Then tighten one more turn with wrench. Do not overtighten. Refer to Fig. 6.
5. Connect other end of tubing to pilot burner according to pilot burner manufacturer's instructions.

Connect Thermocouple

Connect thermocouple lead as shown in Fig. 7. Refer to Tables 5 and 6 for maximum leadwire lengths. This is an electrical connection and must be clean and dry. Never use pipe compound. Tighten only 1/4 turn beyond finger tight to give good electrical continuity. *Do not overtighten.*

WIRING

Follow the wiring instructions furnished by the appliance manufacturer, if available, or use the general instructions provided below.

All wiring must comply with applicable electrical codes and ordinances, including insulated quick connect terminals.

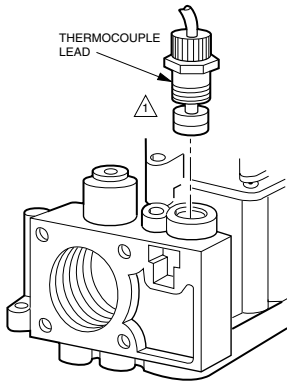
Disconnect power supply before making wiring connections to prevent electrical shock or equipment damage.

1. Check the power supply rating on the gas control and assure it matches the available supply. Install thermostat and other controls as required.
2. When the gas control is installed external to the appliance, install the conduit cover on the conduit fitting. Do not secure conduit cover at this time.
3. Connect control circuit to gas control terminals. See Figs. 4 and 8.

NOTE: Use leadwires with insulated terminals.

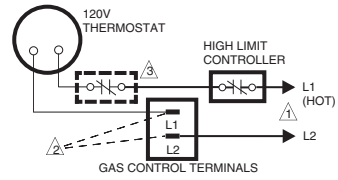
4. Make sure conduit cover is in position and secured to the gas control with the screw provided. See Fig. 1.
5. Adjust thermostat heat anticipator as instructed in appliance manual (i.e., usually 0.1A).

Fig. 7—Installing thermocouple to the power unit.



⚠ THIS IS AN ELECTRICAL CONNECTION AND MUST BE CLEAN AND DRY. DO NOT USE PIPE COMPOUND. M3096

Fig. 8—Wiring connections for 120 volt control.



- ⚠ POWER SUPPLY. PROVIDE DISCONNECT MEANS AND OVERLOAD PROTECTION AS REQUIRED.
- ⚠ DO NOT JUMPER THESE TERMINALS. THIS SHORTS VALVE COIL AND MAY BURN OUT ANTICIPATOR IN THERMOSTAT.
- ⚠ OPTIONAL HIGH LIMIT.

M3092A

TABLE 5—MAXIMUM LENGTH OF SUPPLEMENTARY LIMIT LEADWIRES WHEN USING Q340A THERMOCOUPLE.

Thermocouple Length		Maximum Leadwire Length x 2 (Wires)					
		AWG No. 14		AWG No. 16		AWG No. 18	
Inches	Meters	Inches	Meters	Inches	Meters	Inches	Meters
18	0.5	35	0.9	22	0.6	13	0.3
24	0.6	29	0.7	18	0.5	11	0.3
30	0.8	23	0.6	15	0.4	9	0.2
36	0.9	17	0.4	11	0.3	6	0.2
48	1.2	Do not use.					
60	1.5						

TABLE 6—MAXIMUM LENGTH OF SUPPLEMENTARY LIMIT LEADWIRES WHEN USING Q309A THERMOCOUPLE.

Thermocouple Length		Maximum Leadwire Length x 2 (Wires)					
		AWG No. 14		AWG No. 16		AWG No. 18	
Inches	Meters	Inches	Meters	Inches	Meters	Inches	Meters
12	0.3	47	1.2	30	0.8	18	0.5
18	0.5	41	1.0	26	0.7	16	0.4
24	0.6	35	0.9	22	0.6	14	0.4
30	0.8	29	0.8	18	0.5	11	0.3
36	0.9	23	0.6	15	0.4	9	0.2
40	1.0	19	0.5	12	0.3	7	0.2
48	1.2	11	0.3	7	0.2		
60	1.5	Do not use.					

Start-up and Checkout



WARNING

FIRE OR EXPLOSION HAZARD CAN CAUSE PROPERTY DAMAGE, SEVERE INJURY, OR DEATH

1. Do not touch the gas control knob. Use only your hand to push down the reset button or turn the gas control knob. Never use any tools.
2. If the gas control knob or reset button will not operate by hand, or if the reset button stays depressed after it is released, the gas control should be replaced by a qualified service technician.

GAS CONTROL KNOB SETTINGS

The gas control knob has three settings:

OFF: Prevents pilot and main burner gas flow.

PILOT: Permits pilot gas flow only. Gas control knob must be held depressed or thermocouple must be heated sufficiently to hold the safety control valve open.

ON: Permits main burner and pilot gas flow. Gas control and thermostat control main burner gas flow.

NOTE: Gas controls are shipped with the gas control knob in the ON position.

PERFORM GAS LEAK TEST



WARNING




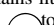
FIRE OR EXPLOSION HAZARD CAN CAUSE PROPERTY DAMAGE, SEVERE INJURY, OR DEATH

Check for gas leaks with rich soap and water solution any time work is done on a gas control.

GAS LEAK TEST

1. Paint all pipe connections upstream of the gas control with a rich soap and water solution. Bubbles indicate a gas leak.
2. If a gas leak is detected, tighten the pipe connection.
3. Stand clear while lighting main burner to prevent injury caused from hidden gas leaks that could cause flashback in the appliance vestibule. Light the main burner.
4. With the main burner in operation, paint all pipe joints (including adapters) and gas control inlet and outlet with rich soap and water solution.
5. If another gas leak is detected, tighten adapter screws, joints, and pipe connections.
6. Replace the part if gas leak cannot be stopped.

LIGHT THE PILOT BURNER FLAME

1. Turn the gas control knob clockwise  to OFF. Wait five minutes to dissipate any unburned gas. Sniff around the appliance near the floor. Do not relight the pilot flame if you smell gas.
2. Turn the gas control knob counterclockwise  to PILOT. Push down and hold the gas control knob while lighting the pilot flame.
3. Hold the gas control knob down about one minute, then release.
 - If the pilot flame goes out, turn the gas control knob clockwise  to OFF and repeat steps 1 through 3.
 - If pilot flame remains lit, turn the gas control knob counterclockwise  to ON.

ADJUST THE PILOT BURNER FLAME

The pilot flame should envelop 3/8 to 1/2 inch [10 to 13 millimeters] of the thermocouple tip. Refer to Fig. 9. To adjust the pilot flame:



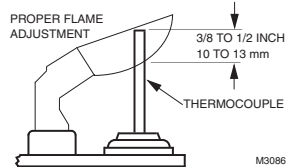
1. Remove the pilot adjustment cover screw. Refer to Fig. 5.
2. Turn the inner adjustment screw clockwise  to decrease or counterclockwise  to increase the pilot flame.
3. Always replace the cover screw after adjustment and tighten firmly to assure proper operation.

Fig. 9—Proper flame adjustment.



LIGHT MAIN BURNER

Follow the appliance manufacturer's instructions or place the thermostat setting above room temperature to call for heat.

CHECK AND ADJUST GAS INPUT TO MAIN BURNER



CAUTION

1. Do not exceed the input rating stamped on the appliance nameplate, or manufacturer's recommended burner orifice pressure for the size orifice(s) used. Assure the main burner primary air supply is properly adjusted for complete combustion (refer to the appliance manufacturer's instructions).
2. IF CHECKING GAS INPUT BY CLOCKING THE GAS METER:
 - Assure that the only gas flow through the meter is that of the appliance being tested.
 - Assure that other appliances are turned off and that their pilot burners are extinguished (or deduct their gas consumptions from the meter reading).
 - Convert the flow rate to Btuh as described in the Gas Controls Handbook (form 70-2602) and compare to the Btuh input rating on the appliance nameplate.
3. IF CHECKING GAS INPUT WITH A MANOMETER (PRESSURE GAUGE):
 - Assure the gas control knob is in the PILOT position before removing the outlet pressure tap plug to connect the manometer.
 - Turn the gas control knob back to PILOT when removing the manometer and replacing outlet pressure tap plug.
 - Shut off the gas supply at the appliance service valve or, for LP gas, at the gas tank before removing the outlet pressure tap plug and before disconnecting the manometer and replacing the outlet pressure tap plug.
 - Perform the Gas Leak Test at the inlet pressure tap plug.

Standard-Opening and Slow-Opening Pressure Regulator

- The gas control outlet pressure should match the manifold pressure listed on the appliance nameplate.
- With the main burner operating, check the gas control flow rate using the meter clocking method or check the gas pressure using a manometer connected to the gas control outlet pressure tap. Refer to Fig. 4.
- If necessary, adjust the pressure regulator to match the appliance rating. Refer to Table 7 or 8 for the factory set nominal outlet pressures and adjustment ranges.
 - Remove the pressure regulator adjustment cap and screw.
 - Using a screwdriver, turn the inner adjustment screw clockwise ↻ to increase or counterclockwise ↻ to decrease the main burner gas pressure.
 - Always replace the cap screw and tighten firmly to assure proper operation.
- If the desired outlet gas pressure or gas flow rate cannot be achieved by adjusting the gas control, check the gas control inlet pressure using a manometer at the inlet pressure tap. If the inlet pressure is in the normal range (refer to Table 7 or 8), replace the gas control. Otherwise, take the necessary steps to provide proper gas pressure to the gas control.

Step-Opening Pressure Regulator

- The gas control outlet pressure should match the manifold pressure listed on the appliance nameplate.
- With main burner operating, check the gas control flow rate using the meter clocking method or check the gas

pressure using a manometer connected to the gas control outlet pressure tap. Refer to Fig. 4.

- If necessary, adjust the pressure regulator to match the appliance rating. Refer to Table 7 or 8 for factory set nominal outlet pressures and adjustment ranges.
 - Remove the pressure regulator adjustment cap screw.
 - Using a screwdriver, turn the inner adjustment screw clockwise ↻ to increase or counterclockwise ↻ to decrease the main burner gas pressure.
 - Always replace the cap screw and tighten firmly to assure proper operation.
- If desired outlet pressure or flow rate cannot be achieved by adjusting the gas control, check the inlet pressure using a manometer at inlet pressure tap or upstream of the gas control. If the inlet pressure is in the normal range (refer to Table 7 or 8), replace the existing gas control. Otherwise, take the necessary steps to provide proper gas pressure to the gas control.
- Carefully check main burner lightoff at the step pressure. Assure the main burner lights smoothly and without flashback to the orifice and that all ports remain lit. Cycle the main burner several times, allowing at least 30 seconds between cycles for the regulator to resume the step function. Repeat after allowing main burner to cool. Readjust the full rate outlet pressure if necessary to improve lightoff characteristics.

TABLE 5—PRESSURE REGULATOR SPECIFICATION PRESSURES IN in.

Model	Type of Gas	Nominal Inlet Pressure Range	Outlet Pressure			
			Nominal Factory Setting		Setting Range	
			Step	Full Rate	Step	Full Rate
Standard-, Slow-opening	Natural	5.0 - 7.0	—	3.5	—	3.0 - 5.0
	LP	12.0 - 14.0	—	10.0	—	8.0 - 12.0
Step-opening	Natural	5.0 - 7.0	0.9	3.5	—	3.0 - 5.0
	LP	12.0 - 14.0	2.2	10.0	—	8.0 - 12.0

TABLE 6—PRESSURE REGULATOR SPECIFICATION PRESSURES IN kPa.

Model	Type of Gas	Nominal Inlet Pressure Range	Outlet Pressure			
			Nominal Factory Setting		Setting Range	
			Step	Full Rate	Step	Full Rate
Standard-, Slow-opening	Natural	1.2 - 1.7	—	0.9	—	0.7 - 1.2
	LP	2.9 - 3.9	—	2.7	—	2.0 - 3.0
Step-opening	Natural	1.2 - 1.7	0.2	0.9	—	0.7 - 1.2
	LP	2.9 - 3.9	0.9	2.7	—	2.0 - 3.0

CHECK SAFETY SHUTDOWN PERFORMANCE



WARNING

FIRE OR EXPLOSION HAZARD CAN CAUSE PROPERTY DAMAGE, SEVERE INJURY, OR DEATH

Perform the safety shutdown test any time work is done on a gas system.

1. Place gas control knob in PILOT position. Main burner should go off and pilot should remain lit.

2. Extinguish pilot flame. Pilot gas flow should stop within 2-1/2 minutes. Safety shutoff of pilot gas proves complete shutdown since safety shutoff valve prevents main burner and pilot gas flow.

3. Relight pilot burner and operate system through one complete cycle to assure all controls operate properly.

Maintenance



WARNING

FIRE OR EXPLOSION HAZARD CAN CAUSE PROPERTY DAMAGE, SEVERE INJURY, OR DEATH

Improper cleaning or reassembly may cause gas leakage. When cleaning, assure that control is reassembled properly and perform gas leak test.

Regular preventive maintenance is important in applications that place a heavy load on system controls, such as in the commercial cooking and agricultural and industrial industries because:

- In many such applications, particularly commercial cooking, the equipment operates 100,000-200,000 cycles per year. Such heavy cycling can wear out the gas control in one to two years.
- Exposure to water, dirt, chemicals and heat can damage the gas control and shut down the control system.

The maintenance program should include regular check-out of the gas control as described in the Start-up and Checkout section, and the control system as described in the appliance manufacturer's literature.

Maintenance frequency must be determined individually for each application. Some considerations are:

- *Cycling frequency.* Appliances that may cycle 100,000 times annually should be checked monthly.
- *Intermittent use.* Appliances that are used seasonally should be checked before shutdown and again before the next use.
- *Consequence of unexpected shutdown.* Where the cost of an unexpected shutdown would be high, the system should be checked more often.
- *Dusty, wet, or corrosive environment.* Since these environments can cause the gas control to deteriorate more rapidly, the system should be checked more often.

The gas control should be replaced if:

- It does not perform properly during checkout or troubleshooting.
- The gas control knob is hard to turn or push down, or it fails to pop back up when released.
- The gas control is likely to have operated for more than 200,000 cycles.

Service



WARNING

FIRE OR EXPLOSION HAZARD CAN CAUSE PROPERTY DAMAGE, SEVERE INJURY OR DEATH

Do not disassemble the gas control; it contains no replaceable components. Attempted disassembly or repair may damage the gas control.



CAUTION

Do not apply a jumper across or short the valve coil terminals. This may burn out the heat anticipator in the thermostat.

IMPORTANT: Allow 60 seconds after shutdown before re-energizing step-opening model to assure lightoff at step pressure.

IF THE PILOT BURNER FLAME WILL NOT LIGHT

1. Assure the main gas supply valve is open and the pilot gas supply line is purged of air.
2. Attempt to light pilot burner flame following procedures in Light the Pilot Burner Flame, page 6. If pilot burner flame still will not light:
 - a. Check the pilot gas adjustment screw. If closed, readjust the pilot flame.
 - b. Perform the Gas Leak Test at the compression fitting. If a gas leak is detected, replace the old compression fitting or tighten the newly installed one. Refer to Fig. 4.
 - c. Assure that the pilot burner tubing or pilot burner orifice is not clogged.

IF THE PILOT BURNER FLAME GOES OUT WHEN THE GAS CONTROL KNOB IS RELEASED

1. Assure the gas control knob is held in at least one minute to allow the thermocouple time to heat.
2. Check the pilot burner flame adjustment. Refer to Adjust the Pilot Burner Flame, page 6.
3. Check the wiring between the thermocouple and the gas control valve operator.
4. Assure thermocouple connection to the power unit is tightened one-fourth turn beyond finger tight.
5. If pilot burner flame still goes out, measure the open and closed thermocouple output voltage. Compare it to the acceptable range charts in the thermocouple specifications or in the Gas Controls Handbook. Replace the thermocouple if voltages are outside the acceptable range.
6. Check the power unit resistance. If above 11 ohms, replace the gas control.

IF THE MAIN BURNER WILL NOT COME ON WITH A CALL FOR HEAT

1. Assure the gas control knob is in the ON position.
2. Adjust the thermostat several degrees above room temperature.
3. Use an ac voltmeter to measure the voltage across terminals L1 and L2:
 - a. If no voltage is present, check the control circuit for proper operation.
 - b. If voltage is present, but first operator did not *click* open, check for excessive inlet gas pressure. If inlet gas pressure is correct, replace the gas control.
4. Measure the open and closed thermocouple output voltages and compare to the acceptable range charts in the thermocouple specifications or in the Gas Controls Handbook. Replace the thermocouple if voltages are outside the acceptable range.

IF THE MAIN BURNER IS OVERFIRING

Adjust the gas control pressure regulator to the correct pressure. If the regulator cannot be adjusted and supply pressure is in the normal range, replace the gas control.



WARNING

FIRE OR EXPLOSION HAZARD CAN CAUSE PROPERTY DAMAGE, SEVERE INJURY, OR DEATH

Follow these warnings exactly:


1. Pilot burner flame must be lit manually. Follow these instructions exactly.
2. Before lighting pilot burner flame, smell around the appliance for gas. Be sure to smell next to floor because LP gas is heavier than air.
3. IF YOU SMELL GAS:
 - Turn off the gas supply at the appliance service valve. On LP gas systems, turn off gas supply at the gas tank.
 - Do not light any appliances in the house.
 - Do not touch electrical switches or use the phone.
 - Leave the building and use a neighbor's phone to call your gas supplier.
 - If you cannot reach your gas supplier, call the fire department.
4. Do not force the gas control knob. Use only your hand to push down or turn the gas control knob. Never use any tools. If the gas control knob will not operate by hand, the gas control should be replaced by a qualified service technician. Force or attempted repair may result in a fire or explosion.
5. The gas control must be replaced in case of any physical damage, tampering, bent terminals, missing or broken parts, stripped threads, or evidence of exposure to heat.

IMPORTANT: Follow the operating instructions provided by the manufacturer of your heating appliance. The information below will help you in a typical gas control application, but the specific controls used and the procedures outlined by the manufacturer or your appliance may differ, requiring special instructions.


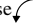
LIGHTING THE PILOT BURNER FLAME

STOP: Read the Warnings Above.

The pilot burner flame must be lit manually. If the pilot burner flame has gone out, follow these instructions exactly:


1. Set the thermostat to its lowest setting.
2. Disconnect all electric power to the appliance.
3. Remove the gas control access panel.
4. Push in the gas control knob slightly and turn clockwise  to OFF.

NOTE: The gas control knob cannot be turned from PILOT to OFF unless it is pushed in slightly. Do not force the gas control knob.

5. Wait five minutes to clear out any unburned gas. If you then smell gas, STOP! Follow step 3 in the Warnings above. If you do not smell gas, continue with the next step.
6. Remove the pilot burner access panel located below and behind the gas control.
7. Find the pilot burner by following the metal tube from the gas control. The pilot burner is between the two burner tubes behind the pilot burner access panel.
8. Turn the gas control knob counterclockwise  to PILOT.
9. Push and hold the gas control knob all the way in. Immediately light the pilot burner flame with a match and continue holding the gas control knob in for one minute after the pilot burner flame is lit.
10. Release the gas control knob and it will pop back up. The pilot burner flame should remain lit. If pilot burner flame goes out, repeat steps 1 through 10.
 - If the gas control knob does not pop up when released, stop immediately and call your service technician or gas supplier.
 - If the pilot flame will not stay lit after several tries, turn the gas control knob to OFF and call your service technician or gas supplier.
11. Turn the gas control knob counterclockwise  to ON.
12. Replace the pilot burner access panel.
13. Replace the gas control access panel.
14. Reconnect all electric power to the appliance.
15. Set the thermostat to the desired setting.

TURNING OFF THE APPLIANCE

VACATION SHUTDOWN—Set the thermostat to the desired room temperature while you are away.

COMPLETE SHUTDOWN—Push the gas control knob in slightly and turn clockwise  to OFF. Do not force. Appliance will completely shut off. Follow Lighting the Pilot Burner Flame procedure above to resume normal operation.

Honeywell

Helping You Control Your World

Home and Building Control
Honeywell Inc.
1985 Douglas Drive North
Golden Valley, Minnesota 55422

Home and Building Control
Honeywell Limited—Honeywell Limitée
740 Ellesmere Road
Scarborough, Ontario
M1P 2V9

