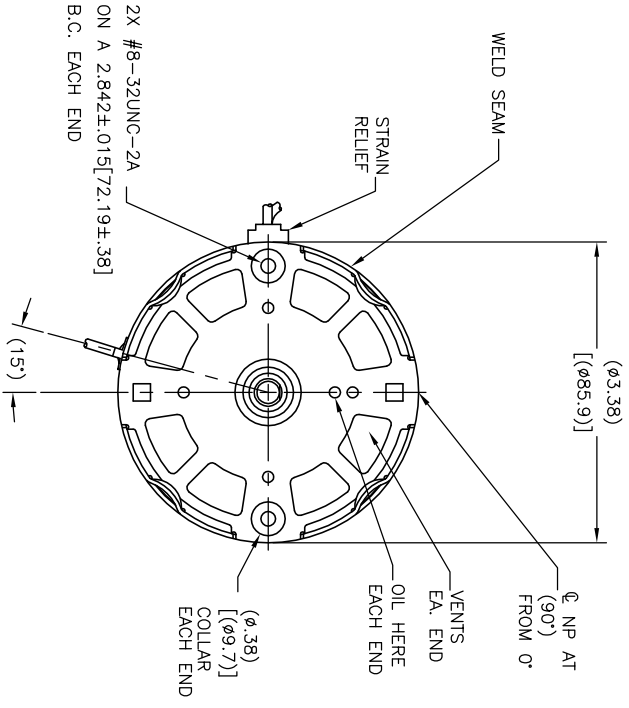
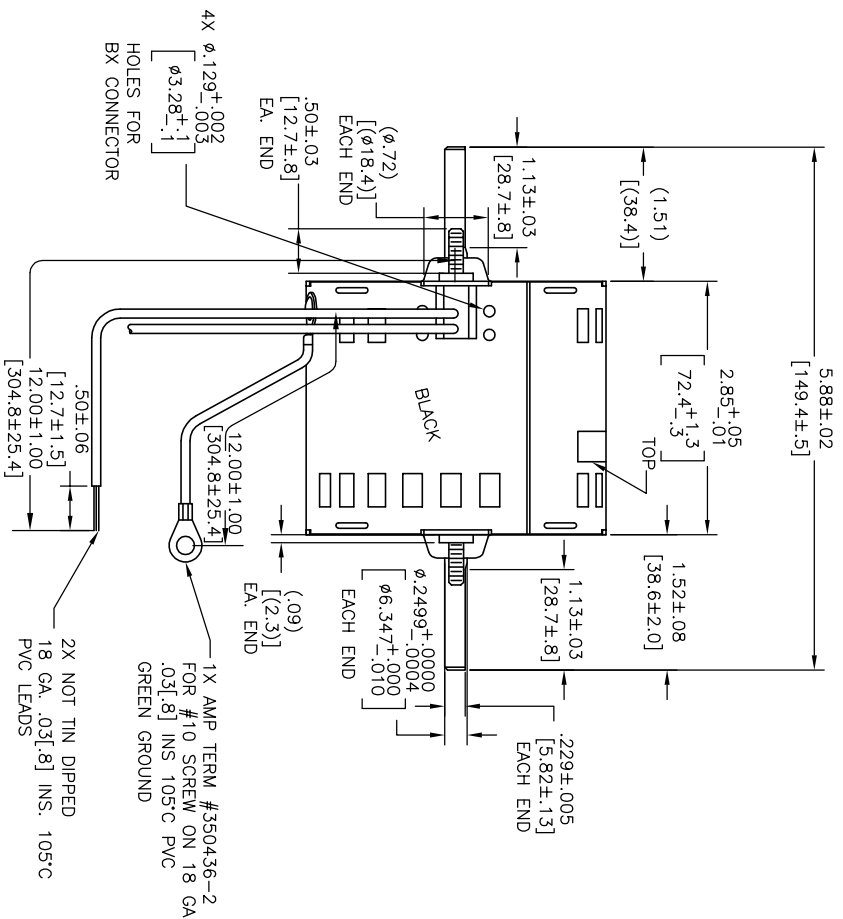


CUSTOMER IS SOLELY RESPONSIBLE FOR MOTOR PERFORMANCE AND SUITABILITY IN APPLICATIONS FOR CUSTOMER'S USES

REV	ECO	REV BY	DATE	APPD	DATE
0p	0027421	H.ZHOU	07-13-2012	B.SHEN	07-13-2012

END PLAY .04[1.0] MAX.



JA1M602N#

JA1M602N#

NAMEPLATE DATA:

Century
 THERMALLY PROTECTED
 Tipp City, OH
 SER. DAT PLT CL MOD JA1M602N#
 115V 60HZ 1.1A 3000RPM 1/30HP CONT AO 1PH
 ROTATION STOCK NO. 11 AO209
 ASSEMBLED IN MEXICO



ELECTRICALLY PER
 SAMPLE S-93566C
 EXCEPT CONST.
 CWILE BOM CHG [CM]
 AFTERMARKET

GEOMETRIC CHARACTERISTICS & SYMBOLS
 UNLESS OTHERWISE SPECIFIED DIM. TOLERANCES ARE AS FOLLOWS:
 INCH DIM. ±.0005
 ANG. ±.01 DEG.
 REMOVE BURRS & BREAK SHARP EDGES.
 CORNER FILLETS TO:
 INCH .020 mm 0.5
 MACHINE SURFACES:
 INCH 12 μ mm 3.2
 TRUE POSITION
 CONCENTRICITY
 STAMENITY

DR. BY: .
 APPD: .
 THIRD ANGLE PROJECTION
 EDS DATE 11-11-2011
 FORMAT REV H
 CONFIDENTIAL: THIS DRAWING AND ITS INFORMATION ARE THE EXCLUSIVE AND CONFIDENTIAL PROPERTY OF REGAL-BELOIT CORPORATION AND ARE NOT TO BE DISCLOSED, DUPLICATED, DISTRIBUTED OR OTHERWISE USED WITHOUT THE WRITTEN CONSENT OF REGAL-BELOIT CORPORATION. ALL RIGHTS RESERVED.

REGAL-BELOIT CORPORATION	
DESCRIPTION	MODEL-SFHP-3.3 OUTLINE
SCALE	NONE
SIZE	C
DWG NO.	JA1M602
SHEET	1