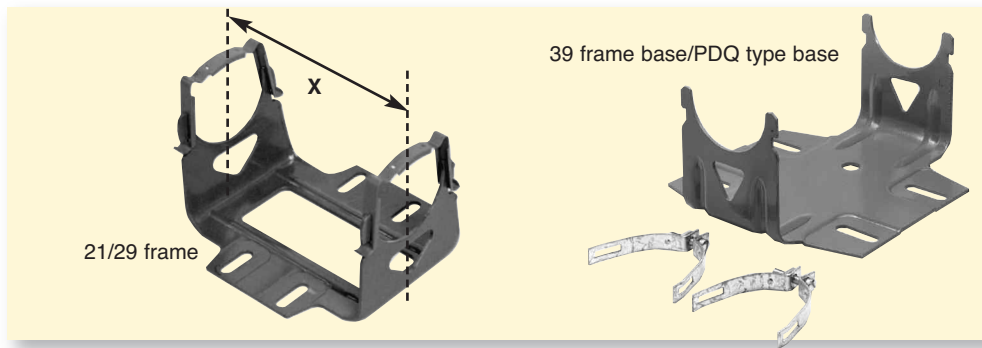


Shaft Adapters, Extensions, Couplings, And Bushings

MARS NO.	PAK QUAN.	DESCRIPTION	FIG. NO.
08113*	5 pieces	1/4 in. x 3 in. shaft extension with flat	1
08115*	5 pieces	5/16 in. x 3 in. shaft extension with flat	1

* Limited quantities available, while supplies last.



Motor Mounting Bases

Designed for use with GE motors. Bases include clips.

Mounting Bases

MARS NO.	FOR USE ON	GE NO.	SHAFT HEIGHT	X DIMENSION
08076	21/29 frame motors on page M-36	901AA6	2 ⁵ / ₈	6.44/6.32
08077	21/29 frame motors on page M-36	901AA7	2 ⁵ / ₈	6.72/6.55
08052	39 frame motors	920AB2	3 ¹ / ₂	3.98/4.14
08053	39 frame motors	920AB3	3 ¹ / ₂	4.23/4.39
08054	39 frame motors	920AB4	3 ¹ / ₂	4.48/4.64
08055	39 frame motors	920AB5	3 ¹ / ₂	4.73/4.89
08056	39 frame motors	920AB6	3 ¹ / ₂	4.98/5.14
08057	39 frame motors	920AB7	3 ¹ / ₂	5.23/5.39
08058	39 frame motors	920AB8	3 ¹ / ₂	5.48/5.64
08059	39 frame motors	920AB9	3 ¹ / ₂	6.48/6.64
08060	39 frame motors	920AB10	3 ¹ / ₂	5.98/6.14
08062	PDQ motors - 48 frame	161L113AA2	3	—

Mounting Accessories

MARS NO.	USED ON	DESCRIPTION	PAK QUAN.
08099	51 frame cast iron motors	vibration dampener	24 pieces
08092	11 frame motors	clips for 11 frame motor bases	10 pieces
08096	39 frame	clips for 39 frame motor bases	10 pieces
08103	21/29 and 39 frame motors	2 ¹ / ₂ in. unbonded resilient ring	10 pieces
08031	21/29 and 39 frame motors	split rings to convert 2 ¹ / ₄ in. to 2 ¹ / ₂ in. rings	20 pieces
08105	21/29 and 39 frame motors	2 ¹ / ₄ in. bonded resilient ring	20 pieces

MOTOR ACCESSORIES