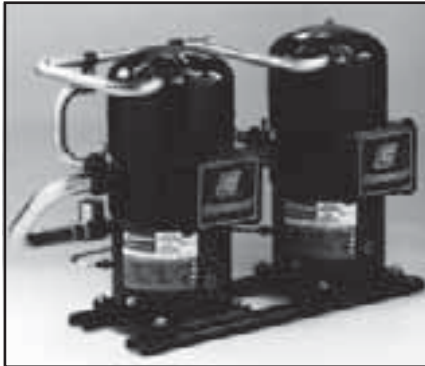


Copeland Scroll™ Wholesaler Product Guide

*Also Includes Replacement for Tecumseh and
Bristol Compressors.*



ZZ*M3 Tandem



ZR*KC



ZRT*KC Tandem



ZR*M3

Copeland®
brand products

Table of Contents

	Page
Quick Reference	
Copeland® Brand to Copeland® Brand	1
Bristol to Copeland® Brand	6
Tecumseh to Copeland® Brand	9
General Notes	13
Compressor Data	
Notes, Rating Points	14
ZB, ZF, and ZS Models	15
ZR Models	27
ZFH Models	59
ZP Models	61
ZRT/ZZ Tandem Models	62
Electrical Diagrams	65
Standard Compressor Drawings	66
Electrical Components	79
Bill of Material Description	82
Accessories	84
Miscellaneous Information	
Crankcase Heaters	87
Mounting Kits	87
Single Compressor Replacements for Tandems	87
Shipping Weights	88
Model Number BTUH Nomenclature	
Copeland® Brand	89
Tecumseh	90
Bristol	91

Copeland® Brand to Copeland® Brand Quick Reference

Copeland® Brand Model	Copeland® Brand Replacement Model	Data Page	Figure No.	Notes
BRD2-0750-TFC	ZB50KC-TF5	21	7	
BRD2-0750-TFD	ZB50KC-TFD	21	7	
BRE2-0750-TFC	ZB58KC-TF5	21	7	
BRE2-0750-TFD	ZB58KC-TFD	23	7	
BRE4-0750-TFC	ZB58KC-TF5	21	7	
BRE4-0750-TFD	ZB58KC-TFD	23	7	
BRG2-0900-TFC	ZB66KC-TF5	23	7	
BRG2-0900-TFD	ZB66KC-TFD	23	7	
BRH2-1000-TFC	ZB66KC-TF5	23	7	
BRH2-1000-TFD	ZB66KC-TFD	23	7	
BRK2-1200-TFC	ZB88KC-TFC	25	7	
BRK2-1200-TFD	ZB88KC-TFD	25	7	
QR11M1-TFC	ZB66KC-TF5	23	7	
QR11M1-TFD	ZB66KC-TFD	23	7	
QR12M1-TFC	ZB66KC-TF5	23	7	
QR12M1-TFD	ZB66KC-TFD	23	7	
QR15M1-TFC	ZB88KC-TFC	25	7	
QR15M1-TFD	ZB88KC-TFD	25	7	
QR85K1-TFC	ZB50KC-TF5	21	7	
QR85K1-TFD	ZB50KC-TFD	21	7	
QR90K1-TFC	ZB58KC-TF5	21	7	
QR90K1-TFD	ZB58KC-TFD	23	7	
ZB11MA-TWC	ZF48K4E-TWC	21	3	
ZB11MA-TWD	ZF48K4E-TWD	21	3	
ZB15KA-TF5	ZF06K4E-TF5	15	1	
ZB15KA-TFD	ZF06K4E-TFD	15	1	
ZB19KA-TF5	ZF08K4E-TF5	15	1	
ZB19KA-TFD	ZF08K4E-TFD	15	1	
ZB21KA-TF5	ZF09K4E-TF5	15	1	
ZB21KA-TFD	ZF09K4E-TFD	15	1	
ZB26KA-TF5	ZF11K4E-TF5	17	1	
ZB26KA-TFD	ZF11K4E-TFD	17	1	
ZB30KA-TF5	ZF13K4E-TF5	17	2	
ZB30KA-TFD	ZF13K4E-TFD	17	2	
ZB38KA-TF5	ZF15K4E-TF5	17	2	
ZB38KA-TFD	ZF15K4E-TFD	19	2	
ZB45KA-TF5	ZF18K4E-TF5	19	2	
ZB45KA-TFD	ZF18K4E-TFD	19	2	
ZB50KC-TF5	ZB50KC-TF5	21	7	
ZB50KC-TFD	ZB50KC-TFD	21	7	
ZB56KA-TWC	ZF24K4E-TWC	19	3	
ZB56KA-TWD	ZF24K4E-TWD	19	3	
ZB58KC-TF5	ZB58KC-TF5	21	7	
ZB58KC-TFD	ZB58KC-TFD	23	7	
ZB66KC-TF5	ZB66KC-TF5	23	7	

Copeland® Brand Model	Copeland® Brand Replacement Model	Data Page	Figure No.	Notes
ZB66KC-TFD	ZB66KC-TFD	23	7	
ZB68KA-TWC	ZF33K4E-TWC	19	3	
ZB68KA-TWD	ZF33K4E-TWD	19	3	
ZB75KA-TWC	ZF33K4E-TWC	19	3	
ZB75KA-TWD	ZF33K4E-TWD	19	3	
ZB76KC-TF5	ZB76KC-TF5	23	7	
ZB76KC-TFD	ZB76KC-TFD	25	7	
ZB88KC-TF5	ZB88KC-TF5	25	7	
ZB88KC-TFD	ZB88KC-TFD	25	7	
ZB92KA-TWC	ZF40K4E-TWC	19	3	
ZB92KA-TWD	ZF40K4E-TWD	21	3	
ZF06K4E-PFV	ZF06K4E-PFV	15	1	
ZF06K4E-TF5	ZF06K4E-TF5	15	1	
ZF06K4E-TFD	ZF06K4E-TFD	15	1	
ZF06K4-TF5	ZF06K4E-TF5	15	1	
ZF06K4-TFD	ZF06K4E-TFD	15	1	
ZF08K4E-PFV	ZF08K4E-PFV	15	1	
ZF08K4E-TF5	ZF08K4E-TF5	15	1	
ZF08K4E-TFD	ZF08K4E-TFD	15	1	
ZF09K4E-PFV	ZF09K4E-PFV	15	1	
ZF09K4E-TF5	ZF09K4E-TF5	15	1	
ZF09K4E-TFD	ZF09K4E-TFD	15	1	
ZF11K4E-PFV	ZF11K4E-PFV	17	1	
ZF11K4E-TF5	ZF11K4E-TF5	17	1	
ZF11K4E-TFD	ZF11K4E-TFD	17	1	
ZF13K3E-PFV	ZF13K4E-PFV	17	2	
ZF13K3E-TF5	ZF13K4E-TF5	17	2	
ZF13K3E-TFD	ZF13K4E-TFD	17	2	
ZF13K4E-PFV	ZF13K4E-PFV	17	2	
ZF13K4E-TF5	ZF13K4E-TF5	17	2	
ZF13K4E-TFD	ZF13K4E-TFD	17	2	
ZF15K3E-PFV	ZF15K4E-PFV	17	2	
ZF15K3E-TF5	ZF15K4E-TF5	17	2	
ZF15K3E-TFD	ZF15K4E-TFD	19	2	
ZF15K4E-PFV	ZF15K4E-PFV	17	2	
ZF15K4E-TF5	ZF15K4E-TF5	17	2	
ZF15K4E-TFD	ZF15K4E-TFD	19	2	
ZF18K4E-TF5	ZF18K4E-TF5	19	2	
ZF18K4E-TFD	ZF18K4E-TFD	19	2	
ZF24K4E-TWC	ZF24K4E-TWC	19	3	
ZF24K4E-TWD	ZF24K4E-TWD	19	3	
ZF33K4E-TWC	ZF33K4E-TWC	19	3	
ZF33K4E-TWD	ZF33K4E-TWD	19	3	
ZF40K4E-TWC	ZF40K4E-TWC	19	3	
ZF40K4E-TWD	ZF40K4E-TWD	21	3	

Copeland® Brand to Copeland® Brand Quick Reference

Copeland® Brand Model	Copeland® Brand Replacement Model	Data Page	Figure No.	Notes	Copeland® Brand Model	Copeland® Brand Replacement Model	Data Page	Figure No.	Notes
ZF48K4E-TWC	ZF48K4E-TWC	21	3		ZR12M3E-TWD	ZR12M3E-TWD	55	8	
ZF48K4E-TWD	ZF48K4E-TWD	21	3		ZR12M3-TWC	ZB76KC-TF5	23	8, 7	
ZFH06K4E-TF5	ZFH06K4E-TF5	59	4		ZR12M3-TWD	ZB76KC-TFD	23	8, 7	
ZFH06K4E-TFD	ZFH06K4E-TFD	59	4		ZR144KC-TF5	ZB88KC-TF5	23	7	
ZFH09K4E-TF5	ZFH09K4E-TF5	59	4		ZR144KC-TFD	ZB88KC-TFD	25	7	
ZFH09K4E-TFD	ZFH09K4E-TFD	59	4		ZR16K4-PFV	ZR16K4-PFV	27	5	
ZFH13K4E-TF5	ZFH13K4E-TF5	59	4		ZR16KC-PFV	ZR16KC-PFV	27	5	
ZFH13K4E-TFD	ZFH13K4E-TFD	59	4		ZR16M3E-TWC	ZR16M3E-TWC	55	8	
ZFH15K4E-TF5	ZFH15K4E-TF5	59	4		ZR16M3E-TWD	ZR16M3E-TWD	55	8	
ZFH15K4E-TFD	ZFH15K4E-TFD	59	4		ZR16M3-TWC	ZR16M3-TWC	55	8	
ZFH18K4E-TF5	ZFH18K4E-TF5	59	4		ZR16M3-TWD	ZR16M3-TWD	57	8	
ZFH18K4E-TFD	ZFH18K4E-TFD	59	4		ZR18K1-PFV	ZR18K3-PFV	27	12, 6	
ZP120KCE-TFD	ZP120KCE-TFD	61	7		ZR18K3E-PFV	ZR18K3E-PFV	27	6	
ZP23K3E-PFV	ZP23K3E-PFV	61	6		ZR18K3-PFV	ZR18K3-PFV	27	6	
ZP23K3E-TFD	ZP23K3E-TFD	61	6		ZR18K4-PFV	ZR18K4-PFV	27	5	
ZP26K3E-PFV	ZP26K3E-PFV	61	6		ZR18KC-PFV	ZR18KC-PFV	27	5	
ZP26K3E-TF5	ZP26K3E-TF5	61	6		ZR19M3E-TWC	ZR19M3E-TWC	55	8	
ZP26K3E-TFD	ZP26K3E-TFD	61	6		ZR19M3E-TWD	ZR19M3E-TWD	55	8	
ZP32K3E-PFV	ZP32K3E-PFV	61	6		ZR19M3-TWC	ZR19M3-TWC	57	8	
ZP32K3E-TF5	ZP32K3E-TF5	61	6		ZR19M3-TWD	ZR19M3-TWD	57	8	
ZP32K3E-TFD	ZP32K3E-TFD	61	6		ZR22K3E-PFV	ZR22K3E-PFV	29	6	
ZP36K3E-PFV	ZP36K3E-PFV	61	6		ZR22K3E-TF5	ZR22K3E-TF5	29	6	
ZP36K3E-TF5	ZP36K3E-TF5	61	6		ZR22K3E-TFD	ZR22K3E-TFD	29	6	
ZP36K3E-TFD	ZP36K3E-TFD	61	6		ZR22K3-PFV	ZR22K3-PFV	27	6	
ZP38K3E-PFV	ZP38K3E-PFV	61	6		ZR22K3-TF5	ZR22K3-TF5	27	6	
ZP38K3E-TF5	ZP38K3E-TF5	61	6		ZR22K3-TFD	ZR22K3-TFD	27	6	
ZP41K3E-PFV	ZP41K3E-PFV	61	6		ZR22K4-PFV	ZR22K4-PFV	29	5	
ZP41K3E-TF5	ZP41K3E-TF5	61	6		ZR22K3-PFV	ZR22K3-PFV	27	5, 6	
ZP41K3E-TFD	ZP41K3E-TFD	61	6		ZR23K1-PFV	ZR22K3-PFV	27	12, 6	
ZP54K3E-PFV	ZP54K3E-PFV	61	6		ZR24K3E-PFV	ZR24K3E-PFV	29	6	
ZP54K3E-TF5	ZP54K3E-TF5	61	6		ZR24K3E-TF5	ZR24K3E-TF5	29	6	
ZP54K3E-TFD	ZP54K3E-TFD	61	6		ZR24K3E-TFD	ZR24K3E-TFD	29	6	
ZR108KCE-TF5	ZR108KCE-TF5	55	7		ZR24K3-PFV	ZR24K3-PFV	29	6	
ZR108KCE-TFD	ZR108KCE-TFD	55	7		ZR24K3-TF5	ZR24K3-TF5	29	6	
ZR108KC-TF5	ZB66KC-TF5	23	7		ZR24K3-TFD	ZR24K3-TFD	29	6	
ZR108KC-TFD	ZB66KC-TFD	23	7		ZR24K4-PFV	ZR24K4-PFV	29	5	
ZR11M3E-TWC	ZR11M3E-TWC	55	8		ZR24KC-PFV	ZR24K3-PFV	29	5, 6	
ZR11M3E-TWD	ZR11M3E-TWD	55	8		ZR26K1-PFV	ZR26K3-PFV	29	12, 6	
ZR11M3-TWC	ZB66KC-TF5	23	8, 7		ZR26K3E-PFV	ZR26K3E-PFV	29	6	
ZR11M3-TWD	ZB66KC-TFD	23	8, 7		ZR26K3E-TF5	ZR26K3E-TF5	31	6	
ZR125KCE-TF5	ZR125KCE-TF5	55	7		ZR26K3E-TFD	ZR26K3E-TFD	31	6	
ZR125KCE-TFD	ZR125KCE-TFD	55	7		ZR26K3-PFV	ZR26K3-PFV	29	6	
ZR125KC-TF5	ZB76KC-TF5	23	7		ZR26K3-TF5	ZR26K3-TF5	29	6	
ZR125KC-TFD	ZB76KC-TFD	25	7		ZR26K3-TFD	ZR26K3-TFD	29	6	
ZR12M3E-TWC	ZR12M3E-TWC	55	8		ZR26KC-PFV	ZR26K3-PFV	29	6	

Copeland® Brand to Copeland® Brand Quick Reference

Copeland® Brand Model	Copeland® Brand Replacement Model	Data Page	Figure No.	Notes
ZR28K1-PFV	ZR28K3-PFV	31	12, 6	
ZR28K3E-PFV	ZR28K3E-PFV	33	6	
ZR28K3E-TF5	ZR28K3E-TF5	33	6	
ZR28K3E-TFD	ZR28K3E-TFD	33	6	
ZR28K3-PFV	ZR28K3-PFV	31	6	
ZR28K3-TF5	ZR28K3-TF5	31	6	
ZR28K3-TFD	ZR28K3-TFD	31	6	
ZR28KC-PFV	ZR28K3-PFV	33	6	
ZR28KC-TFD	ZR28K3-TFD	35	6	
ZR30K3E-PFV	ZR30K3E-PFV	35	6	
ZR30K3E-TF5	ZR30K3E-TF5	35	6	
ZR30K3E-TFD	ZR30K3E-TFD	35	6	
ZR30K3-PFV	ZR30K3-PFV	33	6	
ZR30K3-TF5	ZR30K3-TF5	33	6	
ZR30K3-TFD	ZR30K3-TFD	35	6	
ZR30KC-PFV	ZR30K3-PFV	33	6	
ZR32K3E-PFV	ZR32K3E-PFV	37	6	
ZR32K3E-TF5	ZR32K3E-TF5	37	6	
ZR32K3E-TFD	ZR32K3E-TFD	37	6	
ZR32K3-PFV	ZR32K3-PFV	35	6	
ZR32K3-TF5	ZR32K3-TF5	35	6	
ZR32K3-TFD	ZR32K3-TFD	37	6	
ZR32KC-PFV	ZR32K3-PFV	35	6	
ZR34K1-PFV	ZR34K3-PFV	37	12, 6	
ZR34K3E-PFV	ZR34K3E-PFV	37	6	
ZR34K3E-TF5	ZR34K3E-TF5	39	6	
ZR34K3E-TFD	ZR34K3E-TFD	39	6	
ZR34K3-PFV	ZR34K3-PFV	37	6	
ZR34K3-TF5	ZR34K3-TF5	37	6	
ZR34K3-TFD	ZR34K3-TFD	37	6	
ZR34KC-PFV	ZR34K3-PFV	37	6	
ZR34KC-TFD	ZR34K3-TFD	37	6	
ZR36K3E-PFV	ZR36K3E-PFV	39	6	
ZR36K3E-TF5	ZR36K3E-TF5	41	6	
ZR36K3E-TFD	ZR36K3E-TFD	41	6	
ZR36K3-PFV	ZR36K3-PFV	39	6	
ZR36K3-TF5	ZR36K3-TF5	39	6	
ZR36K3-TFD	ZR36K3-TFD	39	6	
ZR36KC-PFV	ZR36K3-PFV	39	6	
ZR36KC-TFD	ZR36K3-TFD	39	6	
ZR40K1-PFV	ZR40K3-PFV	41	12, 6	
ZR40K3E-PFV	ZR40K3E-PFV	41	6	
ZR40K3E-TF5	ZR40K3E-TF5	41	6	
ZR40K3E-TFD	ZR40K3E-TFD	41	6	
ZR40K3-PFV	ZR40K3-PFV	41	6	

Copeland® Brand Model	Copeland® Brand Replacement Model	Data Page	Figure No.	Notes
ZR40K3-TF5	ZR40K3-TF5	41	6	
ZR40K3-TFD	ZR40K3-TFD	41	6	
ZR40KC-PFV	ZR40K3-PFV	41	6	
ZR40KC-TFD	ZR40K3-TFD	41	6	
ZR42K3E-PFV	ZR42K3E-PFV	43	6	
ZR42K3E-TF5	ZR42K3E-TF5	43	6	
ZR42K3E-TFD	ZR42K3E-TFD	43	6	
ZR42K3-PFV	ZR42K3-PFV	41	6	
ZR42K3-TF5	ZR42K3-TF5	43	6	
ZR42K3-TFD	ZR42K3-TFD	43	6	
ZR42KC-PFV	ZR42K3-PFV	41	6	
ZR42KC-TFD	ZR42K3-TFD	43	6	
ZR45KC-PFV	ZR45KC-PFV	43	6	
ZR45KC-TF5	ZR45KC-TF5	43	6	
ZR45KC-TFD	ZR45KC-TFD	43	6	
ZR46K3-PFV	ZR46K3-PFV	43	6	
ZR46K3-TF5	ZR46K3-TF5	45	6	
ZR46K3-TFD	ZR46K3-TFD	45	6	
ZR46KCE-TF5	ZR46KCE-TF5	45	6	
ZR46KC-TF5	ZR46K3-TF5	45	6	
ZR46KC-TFD	ZR46K3-TFD	45	6	
ZR47K3E-PFV	ZR47K3E-PFV	45	6	
ZR47K3E-TF5	ZR47K3E-TF5	45	6	
ZR47K3E-TFD	ZR47K3E-TFD	45	6	
ZR47K3-PFV	ZR47K3-PFV	45	6	
ZR47K3-TF5	ZR47K3-TF5	45	6	
ZR47K3-TFD	ZR47K3-TFD	45	6	
ZR47KCE-TF5	ZR47K3E-TF5	45	6	
ZR47KCE-TFD	ZR47K3E-TFD	45	6	
ZR47KC-PFV	ZR47K3-PFV	45	6	
ZR47KC-TF5	ZR47K3-TF5	45	6	
ZR47KC-TFD	ZR47K3-TFD	45	6	
ZR48K3E-PFV	ZR48K3E-PFV	45	6	
ZR48K3E-TF5	ZR48K3E-TF5	47	6	
ZR48K3E-TFD	ZR48K3E-TFD	47	6	
ZR48K3-PFV	ZR48K3-PFV	45	6	
ZR48K3-TF5	ZR48K3-TF5	45	6	
ZR48K3-TFD	ZR48K3-TFD	45	6	
ZR48KCE-PFV	ZR48K3E-PFV	45	6	
ZR48KCE-TF5	ZR48K3E-TF5	47	6	
ZR48KCE-TFD	ZR48K3E-TFD	47	6	
ZR48KC-PFV	ZR48K3-PFV	45	6	
ZR48KC-TF5	ZR48K3-TF5	45	6	
ZR48KC-TFD	ZR48K3-TFD	45	6	
ZR49K3E-TFD	ZR49K3E-TFD	49	6	

Copeland® Brand to Copeland® Brand Quick Reference

Copeland® Brand Model	Copeland® Brand Replacement Model	Data Page	Figure No.	Notes	Copeland® Brand Model	Copeland® Brand Replacement Model	Data Page	Figure No.	Notes
ZR49K3-PFV	ZR49K3-PFV	47	6		ZR81KCE-TFD	ZR81KCE-TFD	53	6	
ZR49K3-TF5	ZR49K3-TF5	47	6		ZR81KC-TF5	ZR81KC-TF5	53	6	
ZR49K3-TFD	ZR49K3-TFD	47	6		ZR81KC-TFD	ZR81KC-TFD	53	6	
ZR49KCE-PFV	ZR49KCE-PFV	49	6		ZR84KCE-TF5	ZR84KCE-TF5	53	7	
ZR49KCE-TF5	ZR49KCE-TF5	49	6		ZR84KCE-TFD	ZR84KCE-TFD	55	7	
ZR49KCE-TFD	ZR49K3E-TFD	49	6		ZR84KC-TF5	ZB50KC-TF5	21	7	
ZR49KC-PFV	ZR49K3-PFV	47	6		ZR84KC-TFD	ZB50KC-TFD	21	7	
ZR49KC-TF5	ZR49K3-TF5	47	6		ZR90K3E-TWC	ZR90K3E-TWC	55	8	
ZR49KC-TFD	ZR49K3-TFD	47	6		ZR90K3E-TWD	ZR90K3E-TWD	55	8	
ZR54K3E-TF5	ZR54K3E-TF5	49	6		ZR90K3-TWC	ZR90K3-TWC	55	8	
ZR54K3-PFV	ZR54K3-PFV	49	6		ZR90K3-TWD	ZR90K3-TWD	55	8	
ZR54K3-TF5	ZR54K3-TF5	49	6		ZR94KCE-TF5	ZR94KCE-TF5	55	7	
ZR54K3-TFD	ZR54K3-TFD	49	6		ZR94KCE-TFD	ZR94KCE-TFD	55	7	
ZR54KC-PFV	ZR54K3-PFV	49	6		ZR94KC-TF5	ZB58KC-TF5	21	7	
ZR54KC-TF5	ZR54K3-TF5	49	6		ZR94KC-TFD	ZB58KC-TFD	21	7	
ZR54KC-TFD	ZR54K3-TFD	49	6		ZRT108K3-PFV	ZRT108K3-PFV	62	9	1
ZR57K3E-TF5	ZR57K3E-TF5	51	6		ZRT108K3-TF5	ZRT108K3-TF5	62	9	1
ZR57K3E-TFD	ZR57K3E-TFD	51	6		ZRT108K3-TFD	ZRT108K3-TFD	62	9	1
ZR57K3-PFV	ZR57K3-PFV	49	6		ZRT114K3-PFV	ZRT114K3-PFV	62	9	1
ZR57K3-TF5	ZR57K3-TF5	51	6		ZRT114K3-TF5	ZRT114K3-TF5	62	9	1
ZR57K3-TFD	ZR57K3-TFD	51	6		ZRT114K3-TFD	ZRT114K3-TFD	62	9	1
ZR57KCE-TF5	ZR57K3E-TF5	51	6		ZRT122K3-PFV	ZRT122K3-PFV	62	9	1
ZR57KCE-TFD	ZR57K3E-TFD	51	6		ZRT122K3-TF5	ZRT122K3-TF5	62	9	1
ZR57KC-PFV	ZR57K3-PFV	49	6		ZRT122K3-TFD	ZRT122K3-TFD	62	9	1
ZR57KC-TF5	ZR57K3-TF5	51	6		ZRT136KC-TF5	ZRT136KC-TF5	62	9	1
ZR57KC-TFD	ZR57K3-TFD	51	6		ZRT136KC-TFD	ZRT136KC-TFD	62	9	1
ZR61K3E-TF5	ZR61K3E-TF5	53	6		ZRT144KC-TF5	ZRT144KC-TF5	62	9	1
ZR61K3E-TFD	ZR61K3E-TFD	53	6		ZRT144KC-TFD	ZRT144KC-TFD	62	9	1
ZR61K3-PFV	ZR61K3-PFV	51	6		ZRT162KC-TF5	ZRT162KC-TF5	62	9	1
ZR61K3-TF5	ZR61K3-TF5	51	6		ZRT162KC-TFD	ZRT162KC-TFD	62	9	1
ZR61K3-TFD	ZR61K3-TFD	53	6		ZRT188KC-TF5	ZRT188KC-TF5	62	10	1
ZR61KCE-TF5	ZR61K3E-TF5	53	6		ZRT188KC-TFD	ZRT188KC-TFD	63	10	1
ZR61KCE-TFD	ZR61K3E-TFD	53	6		ZRT250KC-TF5	ZRT250KC-TF5	63	10	1
ZR61KC-PFV	ZR61K3-PFV	51	6		ZRT250KC-TFD	ZRT250KC-TFD	63	10	1
ZR61KC-TF5	ZR61K3-TF5	51	6		ZRT92K3-PFV	ZRT92K3-PFV	62	9	1
ZR61KC-TFD	ZR61K3-TFD	53	6		ZRT92K3-TF5	ZRT92K3-TF5	62	9	1
ZR67KC-PFV	ZR67KC-PFV	53	6		ZRT92K3-TFD	ZRT92K3-TFD	62	9	1
ZR68KCE-TFD	ZR68KCE-TFD	53	6		ZRT98K3-PFV	ZRT98K3-PFV	62	9	1
ZR68KC-TF5	ZR68KC-TF5	53	6		ZRT98K3-TF5	ZRT98K3-TF5	62	9	1
ZR68KC-TFD	ZR68KC-TFD	53	6		ZRT98K3-TFD	ZRT98K3-TFD	62	9	1
ZR72KCE-TF5	ZR72KCE-TF5	53	6		ZS11M4E-TWC	ZF48K4E-TWC	21	3	
ZR72KCE-TFD	ZR72KCE-TFD	53	6		ZS11M4E-TWD	ZF48K4E-TWD	21	3	
ZR72KC-TF5	ZR72KC-TF5	53	6		ZS15K4E-PFV	ZF06K4E-PFV	15	1	
ZR72KC-TFD	ZR72KC-TFD	53	6		ZS15K4E-TF5	ZF06K4E-TF5	15	1	
ZR81KCE-TF5	ZR81KCE-TF5	53	6		ZS15K4E-TFD	ZF06K4E-TFD	15	1	

1. Emerson Climate Technologies, Inc. does not approve single compressor replacements on these tandems. If a compressor failure occurs, the entire tandem should be replaced.

Copeland® Brand to Copeland® Brand Quick Reference

Copeland® Brand Model	Copeland® Brand Replacement Model	Data Page	Figure No.	Notes
ZS19K4E-PFV	ZF08K4E-PFV	15	1	
ZS19K4E-TF5	ZF08K4E-TF5	15	1	
ZS19K4E-TFD	ZF08K4E-TFD	15	1	
ZS21K4E-PFV	ZF09K4E-PFV	15	1	
ZS21K4E-TF5	ZF09K4E-TF5	15	1	
ZS21K4E-TFD	ZF09K4E-TFD	15	1	
ZS26K4E-PFV	ZF11K4E-PFV	17	1	
ZS26K4E-TF5	ZF11K4E-TF5	17	1	
ZS26K4E-TFD	ZF11K4E-TFD	17	1	
ZS30K4E-PFV	ZF13K4E-PFV	17	2	
ZS30K4E-TF5	ZF13K4E-TF5	17	2	
ZS30K4E-TFD	ZF13K4E-TFD	17	2	
ZS38K4E-PFV	ZF15K4E-PFV	17	2	
ZS38K4E-TF5	ZF15K4E-TF5	17	2	
ZS38K4E-TFD	ZF15K4E-TFD	19	2	
ZS45K4E-TF5	ZF18K4E-TF5	19	2	
ZS45K4E-TFD	ZF18K4E-TFD	19	2	
ZS56K4E-TWC	ZF24K4E-TWC	19	3	

Copeland® Brand Model	Copeland® Brand Replacement Model	Data Page	Figure No.	Notes
ZS56K4E-TWD	ZF24K4E-TWD	19	3	
ZS75K4E-TWC	ZF33K4E-TWC	19	3	
ZS75K4E-TWD	ZF33K4E-TWD	19	3	
ZS92K4E-TWC	ZF40K4E-TWC	19	3	
ZS92K4E-TWD	ZF40K4E-TWD	21	3	
ZZ18M3-TWC	ZZ18M3-TWC	62	11	2
ZZ18M3-TWD	ZZ18M3-TWD	62	11	2
ZZ21M3-TWC	ZZ21M3-TWC	63	11	1
ZZ21M3-TWD	ZZ21M3-TWD	63	11	1
ZZ22M3-TWC	ZZ22M3-TWC	63	11	2
ZZ22M3-TWD	ZZ22M3-TWD	63	11	2
ZZ24M3-TWC	ZZ24M3-TWC	63	11	2
ZZ24M3-TWD	ZZ24M3-TWD	63	11	2
ZZ28M3-TWC	ZZ28M3-TWC	63	11	1
ZZ28M3-TWD	ZZ28M3-TWD	63	11	1
ZZ32M3-TWC	ZZ32M3-TWC	63	11	2
ZZ32M3-TWD	ZZ32M3-TWD	63	11	2
ZZ38M3-TWD	ZZ38M3-TWD	63	11	2

2. Emerson Climate Technologies, Inc. offers single tandem-ready compressors as a replacement option for these models. Refer to page 87. In the event of system contamination, the entire tandem should be replaced.

Bristol to Copeland® Brand Quick Reference

Bristol Model	Copeland® Brand Replacement Model	Notes
H20B20SABC H20B243ABC H20B283ABC H20C233ABC H20C303ABC	ZR22K3-PFV ZR24K3-PFV ZR28K3-PFV ZR22K3-PFV ZR30K3-PFV	
H20C343ABC H20C343DBL H20C373ABC H20C373DBL H20C403ABC	ZR34K3-PFV ZR34K3-TF5 ZR36K3-PFV ZR36K3-TF5 ZR40K3-PFV	
H20C403DBL H20C423ABC H20C423DBL H20R453ABC H20R453DBL	ZR40K3-TF5 ZR42K3-PFV ZR42K3-TF5 ZR46K3-PFV ZR46K3-TF5	
H20R483ABC H20R483DBL H20R513ABC H20R583ABC H20R583DBL	ZR46K3-PFV ZR46K3-TF5 ZR49K3-PFV ZR57K3-PFV ZR57K3-TF5	
H20R603ABC H20R603DBL H20R753DBL H21A313ABC H21A313DBL	ZR61K3-PFV ZR57K3-TF5 ZR72KC-TF5 ZR32K3-PFV ZR32K3-TF5	
H21A343ABC H21A343DBL H21A373ABC H21A373DBL H21A413ABC	ZR34K3-PFV ZR34K3-TF5 ZR36K3-PFV ZR36K3-TF5 ZR42K3-PFV	
H21A413DBL H21A453ABC H21A463DBL H21B223ABC H21B263ABC	ZR42K3-TF5 ZR46K3-PFV ZR46K3-TF5 ZR22K3-PFV ZR28K3-PFV	
H21R453ABC H21R453DBL H21R483CBC H21R483DBL H21R513DBL	ZR46K3-PFV ZR46K3-TF5 ZR46K3-PFV ZR46K3-TF5 ZR49K3-TF5	
H21R583CBC H21R583DBL H21R603CBC H21R603DBL H23A263ABC	ZR57K3-PFV ZR57K3-TF5 ZR61K3-PFV ZR57K3-TF5 ZR28K3-PFV	
H23A263DB H23A283ABC H23A303ABC H23A303DBL	ZR28K3-TF5 ZR28K3-PFV ZR28K3-PFV ZR30K3-TF5	

Bristol Model	Copeland® Brand Replacement Model	Notes
H23A323ABC H23A323DBL H23A323DBL H23A353ABC H23A353DBL	ZR32K3-PFV ZR32K3-TF5 ZR36K3-TF5 ZR34K3-PFV ZR34K3-TF5	
H23A35QABC H23A35QDBL H23A36QABC H23A383ABC H23A38QDBL	ZR34K3-PFV ZR34K3-TF5 ZR36K3-PFV ZR36K3-PFV ZR36K3-TF5	
H23A423ABC H23A423DBL H23A42QACB H23A42QDBL H23A463ABC	ZR42K3-PFV ZR42K3-TF5 ZR42K3-PFV ZR42K3-TF5 ZR46K3-PFV	
H23A463DBL H23A46QABC H23A46QDBL H23A503ABC H23A503DBL	ZR46K3-TF5 ZR46K3-PFV ZR46K3-TF5 ZR49K3-PFV ZR49K3-TF5	
H23A50QABC H23A50QDBL H23A543ABC H23A543DBL H23A54QABC	ZR49K3-PFV ZR49K3-TF5 ZR54K3-PFV ZR54K3-TF5 ZR54K3-PFV	
H23A54QDBL H23A563ABC H23A563DBL H23A56QABC H23A56QDBL	ZR54K3-TF5 ZR57K3-PFV ZR54K3-TF5 ZR54K3-PFV ZR54K3-TF5	
H23A623ABC H23A623DBL H23A62QABC H23A62QDBL H23B223ABC	ZR61K3-PFV ZR61K3-TF5 ZR61K3-PFV ZR57K3-TF5 ZR22K3-PFV	
H23B22QABC H23B22SABC H23B243ABC H23B24QABC H23B24SABC	ZR22K3-PFV ZR22K3-PFV ZR24K3-PFV ZR24K3-PFV ZR24K3-PFV	
H23B263ABC H23B26QABC H23B26QDB H23B26SABC H23B283ABC	ZR28K3-PFV ZR28K3-PFV ZR28K3-TF5 ZR28K3-PFV ZR28K3-PFV	
H23B283DB H23B28QABC H23B28QDB H23B28SABC	ZR28K3-TF5 ZR28K3-PFV ZR28K3-TF5 ZR28K3-PFV	

Bristol to Copeland® Brand Quick Reference

Bristol Model	Copeland® Brand Replacement Model	Notes
H23B303ABC H23B30QABC H23B30QDBL H23B30SABC H23B323ABC	ZR30K3-PFV ZR30K3-PFV ZR30K3-TF5 ZR30K3-PFV ZR32K3-PFV	
H23B323DBL H23B32QABC H23B32QDBL H23B32SABC H23B33SABC	ZR32K3-TF5 ZR32K3-PFV ZR32K3-TF5 ZR32K3-PFV ZR34K3-PFV	
H23B35QDBL H23B35SABC H24A383ABC H24A383DBL H24A423ABC	ZR32K3-TF5 ZR34K3-PFV ZR40K3-PFV ZR40K3-TF5 ZR42K3-PFV	
H24A423DBL H24B203ABC H24B21QABC H24B223ABC H24B22QABC	ZR42K3-TF5 ZR22K3-PFV ZR28K3-PFV ZR24K3-PFV ZR22K3-PFV	
H24B24QABC H24B263ABC H24B26QABC H24B283ABC H24B28QABC	ZR24K3-PFV ZR28K3-PFV ZR28K3-PFV ZR28K3-PFV ZR28K3-PFV	
H24B29QABC H24B31QABC H25A32QCBC H25A32QDBL H25A35QCBC	ZR28K3-PFV ZR30K3-PFV ZR32K3-PFV ZR32K3-TF5 ZR34K3-PFV	
H25A35QDBL H25A35QDBL H25A38QCBC H25A38QDBL H25A42QCCB	ZR34K3-TF5 ZR34K3-TF5 ZR36K3-PFV ZR36K3-TF5 ZR42K3-PFV	
H25A42QDBL H25A46QCBC H25A46QDBL H25A50QCBC H25A50QDBL	ZR42K3-TF5 ZR46K3-PFV ZR46K3-TF5 ZR49K3-PFV ZR49K3-TF5	
H25A54QCBC H25A54QDBL H25A563DBL H25A56QCBC H25A56QDBL	ZR54K3-PFV ZR54K3-TF5 ZR54K3-TF5 ZR57K3-PFV ZR54K3-TF5	
H25A62QCBC H25A62QDBL H25A72QDBL H25B20QABC	ZR61K3-PFV ZR61K3-TF5 ZR72KC-TF5 ZR22K3-PFV	

Bristol Model	Copeland® Brand Replacement Model	Notes
H25B22QABC H25B24QABC H25B26QABC H25B28QABC H25B28QDB	ZR22K3-PFV ZR24K3-PFV ZR28K3-PFV ZR28K3-PFV ZR28K3-TF5	
H25B30QABC H25B30QDBL H25B32QABC H25B32QDBL H25B35QABC	ZR30K3-PFV ZR30K3-TF5 ZR32K3-PFV ZR32K3-TF5 ZR34K3-PFV	
H25B35QDBL H25D10QDBL H25D11QDBL H25D12QDBL H25D92QDB	ZR34K3-TF5 ZRT98K3-TF5 ZRT108K3-TF5 ZRT108K3-TF5 ZRT92K3-TF5	
H25D99QDBL H25G094DBE H25G094DBL H25G104DBE H25G104DBL	ZRT98K3-TF5 ZB58KC-TFD ZB58KC-TF5 ZB66KC-TFD ZB66KC-TF5	
H25G124DBE H25G124DBL H25G144DBE H25G144DBL H25G184DPE	ZB76KC-TFD ZB76KC-TF5 ZB88KC-TFD ZB88KC-TF5 ZR19M3-TWD	
H25G184DPL H26A32QCBC H26A32QDBL H26A35QCBC H26A38QCBC	ZR19M3-TWC ZR30K3-PFV ZR30K3-TF5 ZR34K3-PFV ZR36K3-PFV	
H26A38QDBL H26A42QCCB H26A42QDBL H26A46QCBC H26A46QDBL	ZR36K3-TF5 ZR42K3-PFV ZR42K3-TF5 ZR46K3-PFV ZR46K3-TF5	
H26A50QCBC H26A50QDBL H26A54QDBL H26A56QCBC H26A56QDBL	ZR49K3-PFV ZR49K3-TF5 ZR54K3-TF5 ZR57K3-PFV ZR57K3-TF5	
H26A62QDBL H26A68QDBL H26B20QCBC H26B22QCBC H26B24QCBC	ZR61K3-TF5 ZR88KC-TF5 ZR22K3-PFV ZR22K3-PFV ZR24K3-PFV	
H26B26QCBC H26B28QCBC H26B30QCBC H27A28QCBC	ZR28K3-PFV ZR28K3-PFV ZR30K3-PFV ZR28K3-PFV	

Bristol to Copeland® Brand Quick Reference

Bristol Model	Copeland® Brand Replacement Model	Notes
H27A32QCBC H27A32QDBL H27A35QCBC H27A35QDBL H27A38QCBC	ZR32K3-PFV ZR32K3-TF5 ZR34K3-PFV ZR34K3-TF5 ZR40K3-PFV	
H27A38QDBL H27A42QCBC H27A42QDBL H27A46QCBC H27A46QDBL	ZR36K3-TF5 ZR42K3-PFV ZR42K3-TF5 ZR46K3-PFV ZR46K3-TF5	
H27A50QCBC H27A50QDBL H27A54QCBC H27A54QDBL H27A56QCBC	ZR49K3-PFV ZR49K3-TF5 ZR54K3-PFV ZR54K3-TF5 ZR57K3-PFV	
H27A56QDBL H27A62QCBC H27A62QDBL H27B20QCBC H27B22QCBC	ZR57K3-TF5 ZR61K3-PFV ZR61K3-TF5 ZR22K3-PFV ZR22K3-PFV	
H27B24QCBC H27B26QCBC H27B28QCBC H27B30QCBC H27B32QCBC	ZR24K3-PFV ZR28K3-PFV ZR28K3-PFV ZR30K3-PFV ZR32K3-PFV	
H27B35QCBC H29B20UABC H29B22UABC H29B24UABC H29B26UABC	ZR34K3-PFV ZR22K3-PFV ZR22K3-PFV ZR24K3-PFV ZR28K3-PFV	
H29B26UDB H29B28UABC H29B28UDB H29B30UABC H29B30UDBL	ZR28K3-TF5 ZR28K3-PFV ZR28K3-TF5 ZR30K3-PFV ZR30K3-TF5	
H29B32UABC H29B32UDBL H29B33UABC H29B33UDBL H29B35UABC	ZR32K3-PFV ZR32K3-TF5 ZR32K3-PFV ZR32K3-TF5 ZR34K3-PFV	
H29B35UDBL H2BG094DBE H2BG094DBL H2BG104DBE H2BG104DBL	ZR34K3-TF5 ZB50KC-TFD ZB50KC-TF5 ZB58KC-TFD ZB58KC-TF5	
H2BG124DBE H2BG124DBL H2NG094DPE H2NG094DPL	ZB76KC-TFD ZB76KC-TF5 ZB50KC-TFD ZB50KC-TF5	

Bristol Model	Copeland® Brand Replacement Model	Notes
H2NG104DPE H2NG104DPL H2NG124DPE H2NG124DPL H2NG144DPE	ZB58KC-TFD ZB58KC-TF5 ZB76KC-TFD ZB76KC-TF5 ZB88KC-TFD	
H2NG144DPL H2NG184DPE H2NG184DPL	ZB88KC-TF5 ZR19M3-TWD ZR19M3-TWC	

Tecumseh to Copeland® Brand Quick Reference

Tecumseh Model	Copeland® Brand Replacement Model	Notes
AB5520EXD	ZR22K3-PFV	
AB5522EXD	ZR22K3-PFV	
AB5524EXD	ZR24K3-PFV	
AB5526EXD	ZR28K3-PFV	
AB5527EXD	ZR28K3-PFV	
AB5528EXD	ZR28K3-PFV	
AB5528EXT	ZR28K3-TF5	
AB5530EXD	ZR30K3-PFV	
AB5530EXT	ZR30K3-TF5	
AG*5546E	ZR47K3-PFV	
AG*5546E	ZR49K3-TF5	
AG*5553E	ZR54K3-PFV	
AG*5553E	ZR54K3-TF5	
AG*5561E	ZR61K3-TF5	
AG*5568E	ZR68KC-TF5	
AG*5573E	ZR72KC-TF5	
AG5546EXD	ZR46K3-PFV	
AG5546EXT	ZR49K3-TF5	
AG5553EXD	ZR54K3-PFV	
AG5553EXT	ZR54K3-TF5	
AG5561EXT	ZR61K3-TF5	
AG5568EXT	ZR68KC-TF5	
AG5573EXT	ZR72KC-TF5	
AH22M12	ZR22K3-PFV	
AH22M12V	ZR22K3-PFV	
AH24P12	ZR24K3-PFV	
AH24P12V	ZR24K3-PFV	
AH28Q13	ZR28K3-PFV	
AH28Q13	ZR28K3-TF5	
AH28Q13V	ZR28K3-PFV	
AH31S13	ZR30K3-PFV	
AH31S13	ZR30K3-TF5	
AH31S13V	ZR30K3-PFV	
AH31T13	ZR28K3-TF5	
AH31T13	ZR30K3-PFV	
AH31T13V	ZR30K3-PFV	
AH31T13V	ZR30K3-TF5	
AH34X13	ZR34K3-PFV	
AH34X13	ZR34K3-TF5	
AH40X15	ZR40K3-PFV	
AH40X15	ZR40K3-TF5	
AH5522EXD	ZR22K3-PFV	
AH5524EXD	ZR24K3-PFV	
AH5527EXD	ZR28K3-PFV	
AH5527EXT	ZR28K3-TF5	
AH5530EXD	ZR30K3-PFV	
AH5531EXD	ZR30K3-PFV	
AH5531EXT	ZR30K3-TF5	
AH55334EXT	ZR34K3-TF5	

Tecumseh Model	Copeland® Brand Replacement Model	Notes
AH5533EXD	ZR34K3-PFV	
AH5534EXD	ZR34K3-PFV	
AH5540EXD	ZR40K3-PFV	
AH5540EXT	ZR40K3-TF5	
AH8524EXD	ZR22K3-PFV	
AH8526EXD	ZR22K3-PFV	
AH8529EXD	ZR24K3-PFV	
AH8532EXD	ZR28K3-PFV	
AH8532EXT	ZR28K3-TF5	
AH8538EXD	ZR32K3-PFV	
AH8538EXT	ZR32K3-TF5	
AH8539EXD	ZR36K3-PFV	
AH8543EXD	ZR36K3-PFV	
AH8543EXT	ZR36K3-TF5	
AH8548EXD	ZR40K3-PFV	
AH8548EXT	ZR40K3-TF5	
AJ*5518E	ZR22K3-PFV	
AN*5590EXG	ZB58KC-TFD	
AN*5590EXT	ZB58KC-TF5	
AN*5610EXG	ZB58KC-TFD	
AN*5610EXT	ZB58KC-TF5	
AN*5612EXG	ZB66KC-TFD	
AN*5612EXT	ZB66KC-TF5	
AN*5614EXF	ZB88KC-TF5	
AN*5614EXG	ZB88KC-TFD	
AN2290EXG	ZB58KC-TFD	
AN2290EXT	ZB58KC-TF5	
AN5610EXG	ZB58KC-TFD	
AN5610EXT	ZB58KC-TF5	
AN5612EXG	ZB66KC-TFD	
AN5612EXT	ZB66KC-TF5	
AN5614EXF	ZB88KC-TFD	
AN5614EXG	ZB88KC-TF5	
AV*5533E	ZR32K3-TF5	
AV*5533E	ZR34K3-PFV	
AV*5535E	ZR34K3-TF5	
AV*5535E	ZR36K3-PFV	
AV*5538E	ZR36K3-PFV	
AV*5538E	ZR36K3-TF5	
AV*5540E	ZR40K3-PFV	
AV*5540E	ZR40K3-TF5	
AV*5542E	ZR40K3-PFV	
AV*5542E	ZR40K3-TF5	
AV*5545E	ZR42K3-TF5	
AV*5545E	ZR46K3-PFV	
AV*5548E	ZR46K3-PFV	
AV*5548E	ZR46K3-TF5	
AV*5549E	ZR49K3-PFV	
AV*5549E	ZR49K3-TF5	

Tecumseh to Copeland® Brand Quick Reference

Tecumseh Model	Copeland® Brand Replacement Model	Notes
AV*5558E AV*5558E AV5524EXD AV5532EXD AV5532EXT	ZR57K3-PFV ZR57K3-TF5 ZR40K3-PFV ZR32K3-PFV ZR32K3-TF5	
AV5533EXD AV5533EXT AV5535EXD AV5535EXT AV5538EXD	ZR34K3-PFV ZR32K3-TF5 ZR36K3-PFV ZR34K3-TF5 ZR36K3-PFV	
AV5538EXT AV5538EXT AV5540EXD AV5540EXT AV5542EXT	ZR36K3-TF5 ZR36K3-TF5 ZR40K3-PFV ZR40K3-TF5 ZR40K3-TF5	
AV5543EXD AV5545EXD AV5545EXT AV5546EXD AV5546EXT	ZR42K3-PFV ZR49K3-PFV ZR42K3-TF5 ZR49K3-PFV ZR46K3-TF5	
AV5548EXD AV5548EXT AV5549EXD AV5549EXT AV5550EXT	ZR47K3-PFV ZR46K3-TF5 ZR49K3-PFV ZR49K3-TF5 ZR49K3-TF5	
AV5555EXD AV5555EXT AV5558EXD AV5558EXT AW*5520E	ZR54K3-PFV ZR54K3-TF5 ZR57K3-PFV ZR57K3-TF5 ZR22K3-PFV	
AW*5522E AW*5524E AW*5526E AW*5528E AW*5528E	ZR22K3-PFV ZR24K3-PFV ZR28K3-PFV ZR28K3-PFV ZR28K3-TF5	
AW*5530E AW*5530E AW*5532E AW*5532E AW*5533E	ZR30K3-PFV ZR30K3-TF5 ZR30K3-TF5 ZR32K3-PFV ZR32K3-PFV	
AW5520EXD AW5522EXD AW5524EXD AW5525EXT AW5526EXD	ZR22K3-PFV ZR22K3-PFV ZR24K3-PFV ZR28K3-TF5 ZR28K3-PFV	
AW5526EXT AW5528EXD AW5528EXT AW5530EXD	ZR28K3-TF5 ZR28K3-PFV ZR28K3-TF5 ZR30K3-PFV	

Tecumseh Model	Copeland® Brand Replacement Model	Notes
AW5530EXT AW5531EXD AW5531EXT AW5532EXD AW5532EXT	ZR30K3-TF5 ZR30K3-PFV ZR30K3-TF5 ZR32K3-PFV ZR30K3-TF5	
B02A B02B B21T18 B21U18 CL25X12	ZR24K3-PFV ZR28K3-PFV ZR22K3-PFV ZR24K3-PFV ZR30K3-PFV	
CL25X12 CL26X12 CL26X12 CL26Z12 CL30Y14	ZR30K3-TF5 ZR30K3-PFV ZR30K3-TF5 ZR30K3-PFV ZR36K3-PFV	
CL30Y14 CL31Y14 CL31Y14 CL32ZA14 CL32ZA14	ZR36K3-TF5 ZR36K3-PFV ZR36K3-TF5 ZR40K3-PFV ZR40K3-TF5	
CL36ZC14 CL36ZC14 CL40ZA17 CL40ZA17 CL41ZA17	ZR42K3-PFV ZR42K3-TF5 ZR49K3-PFV ZR49K3-TF5 ZR49K3-PFV	
CL41ZA17 CL5538EXD CL5538EXT CL5540EXD CL5540EXT	ZR49K3-TF5 ZR36K3-PFV ZR36K3-TF5 ZR40K3-PFV ZR40K3-TF5	
CL5544EXD CL5544EXT CL5550EXD CL5550EXT E64U18	ZR42K3-PFV ZR42K3-TF5 ZR49K3-PFV ZR49K3-TF5 ZR22K3-PFV	
FE400 FE400 JE300 JE300 JE301	ZR49K3-PFV ZR49K3-TF5 ZR36K3-PFV ZR36K3-TF5 ZR36K3-PFV	
JE301 PFB400 PFB400 PFB403 PFB403	ZR36K3-TF5 ZR49K3-PFV ZR49K3-TF5 ZR49K3-PFV ZR49K3-TF5	
PFB500 PFB503 PJE300 PJE300	ZR61K3-TF5 ZR61K3-TF5 ZR36K3-PFV ZR36K3-TF5	

Tecumseh to Copeland® Brand Quick Reference

Tecumseh Model	Copeland® Brand Replacement Model	Notes
PJE301	ZR36K3-PFV	
PJE301	ZR36K3-TF5	
PJG300	ZR32K3-TF5	
PJG301	ZR32K3-TF5	
SA*5522E	ZR22K3-PFV	
SA*5524E	ZR24K3-PFV	
SA*5527E	ZR28K3-PFV	
SA*5534E	ZR34K3-PFV	
SA*5534E	ZR34K3-TF5	
SA*5536E	ZR36K3-PFV	
SA*5536E	ZR36K3-TF5	
SA*5540E	ZR40K3-PFV	
SA*5540E	ZR40K3-TF5	
SA*5545E	ZR46K3-PFV	
SA*5545E	ZR46K3-TF5	
SA*5549E	ZR49K3-PFV	
SA*5549E	ZR49K3-TF5	
SA*5554E	ZR54K3-PFV	
SA*5554E	ZR54K3-TF5	
SA*5558E	ZR57K3-PFV	
SA*5558E	ZR57K3-TF5	
SA*5561E	ZR61K3-TF5	
SA5522EXD	ZR22K3-PFV	
SA5524EXD	ZR24K3-PFV	
SA5527EXD	ZR28K3-PFV	
SA5534EXD	ZR34K3-PFV	
SA5534EXT	ZR34K3-TF5	
SA5536EXD	ZR36K3-PFV	
SA5536EXT	ZR36K3-TF5	
SA5540EXD	ZR40K3-PFV	
SA5540EXT	ZR40K3-TF5	
SA5545EXD	ZR46K3-PFV	
SA5545EXT	ZR46K3-TF5	
SA5549EXD	ZR49K3-PFV	
SA5549EXT	ZR49K3-TF5	
SA5554EXD	ZR54K3-PFV	
SA5554EXT	ZR54K3-TF5	
SA5558EXD	ZR57K3-PFV	
SA5558EXT	ZR57K3-TF5	
SA5561EXT	ZR61K3-TF5	
SF*5554E	ZR54K3-PFV	
SF*5554E	ZR54K3-TF5	
SF*5558E	ZR57K3-PFV	
SF*5558E	ZR57K3-TF5	
SF*5560E	ZR61K3-PFV	
SF*5560E	ZR61K3-TF5	
SF*5572E	ZR72KC-TF5	
SF*5581EXG	ZR81KC-TFD	
SF*5581EXT	ZR81KC-TF5	

Tecumseh Model	Copeland® Brand Replacement Model	Notes
SF*5594EXG	ZB58KC-TFD	
SF*5594EXT	ZB58KC-TF5	
SF*5611EXG	ZB66KC-TFD	
SF*5611EXT	ZB66KC-TF5	
SF*5612EXG	ZB76KC-TFD	
SF*5612EXT	ZB76KC-TF5	
SF*5615EXF	ZB88KC-TF5	
SF*5615EXG	ZB88KC-TFD	
SF5554EXD	ZR54K3-PFV	
SF5554EXT	ZR54K3-TF5	
SF5558EXD	ZR57K3-PFV	
SF5558EXT	ZR57K3-TF5	
SF5560EXD	ZR61K3-PFV	
SF5560EXT	ZR61K3-TF5	
SF5572EXT	ZR72KC-TF5	
SF5581EXG	ZR81KC-TFD	
SF5581EXT	ZR81KC-TF5	
SF5594EXG	ZB58KC-TFD	
SF5594EXT	ZB58KC-TF5	
SF5611EXG	ZB66KC-TFD	
SF5611EXT	ZB66KC-TF5	
SF5612EXG	ZB76KC-TFD	
SF5612EXT	ZB76KC-TF5	
SF5615EXF	ZB88KC-TF5	
SF5615EXG	ZB88KC-TFD	

Wholesaler Notes

General Notes

1. Specifications are subject to change without notice.
2. Dimensions and tube locations pictured are for standard Copeland® brand models. They are not intended to be an accurate representation of all compressors.
3. With state-of-the-art compressor technology and the industry’s emphasis on efficiency, compressor characteristics such as horsepower and displacement are no longer viable means of selecting replacement compressors. Today’s high efficiency compressors will have a greater capacity for a given horsepower (BTU/HP). Therefore capacity (BTU/HR) is the only acceptable means of selecting a replacement compressor.
4. Crankcase heaters are strongly recommended on all systems where the compressor is exposed to cold ambient temperatures, on all split air conditioning systems, and on packaged air conditioning equipment 5 HP and larger.
5. Check and replace the contactor, if required, on three phase compressors.
6. Replace liquid line filter drier.
7. All of the competitive compressor performance data and/or dimensional data used in this cross-reference guide was taken from published information. Some capacities (BTUH) have been adjusted to the rating conditions on page 5 of this catalog. Emerson Climate Technologies, Inc. assumes no responsibility for the original data.
8. **When a compressor has failed and must be replaced, you must determine the cause of the failure and take corrective action or the replacement compressor will fail.**

Application Engineering Bulletins for Copeland Scroll™ Compressors

Bulletin Number	Description
4-1111	Mounting Parts for Copeland® Brand Compressors
4-1280	Application Guidelines for Copeland Scroll™ Compressors (ZR1 Models)
4-1293	Application Guidelines for Quest 4 to 6.75 Ton ZR*2, ZR*3, and ZR*KC Model Copeland Scroll™ Compressors
4-1299	Application Guidelines for Glacier K4/KA Refrigeration Copeland Scroll™ Compressors 3 to 6 Horsepower
4-1300	Application Guidelines for 1.5 to 4 Ton “Quantum” ZR*K3 and ZR*KC Model Copeland Scroll™ Compressors
4-1301	Application Guidelines for ZP**K*E Copeland Scroll™ Compressors for R410A
4-1302	7.5 to 15 Horsepower KA/K4 Glacier Refrigeration Copeland Scroll™ Compressors
4-1303	ZR*KC “Summit” Copeland Scroll™ Application Guideline for 7 to 12 Ton Single and 14 to 24 Ton Tandem Compressors

Compressor Data

1. Models printed in **bold** type are wholesaler models. A wholesaler model is typically stocked by your Authorized Emerson® Full-Line or Authorized Copeland® Wholesalers; Emerson Climate Technologies, Inc. maintains an inventory of these models to ensure quick delivery to the wholesaler.

Models in common type are compressors currently manufactured by Emerson Climate Technologies, Inc. but are not wholesaler models. These compressors can be obtained from Emerson Climate Technologies, Inc. but with longer lead times.

Models in *italic* type are obsolete Copeland® brand or non-Copeland® brand models and can no longer be obtained from Emerson Climate Technologies, Inc. See quick references.

2. App is abbreviation for “Application.”
3. RLA is abbreviation for “Rated Load Amps.”
MCC is abbreviation for “Maximum Continuous Current.”
 $MCC = (1.4) * RLA$
4. ST is abbreviation for “Stub Tube.”
EU is abbreviation for “Elbow Up.”
5. EER is abbreviation for “Energy Efficiency Ratio.”
 $EER = BTUH/Watts$
6. Height listed is without mounting parts.

Rating Points

App	Refrigerant	Description	Rating Point
			Evap/Cond/ReturnGas/Liquid/Ambient
AC	All	Air Conditioning	45/130/65/115/95
HT	All	High Temperature	45/130/65/115/95
MT	All	Medium Temperature	20/120/65/120/95
EMT	All	Extended Medium Temperature	20/120/65/120/95
LT	All	Low Temperature	-25/105/65/105/95
LL	All	Low Condensing	-25/50/65/50/95

Compressor Data

“ZB, ZF, and ZS” Compressors

Model	R404A					R22					R134a					App
	App	RLA	BTUH	Watts	Amps	App	RLA	BTUH	Watts	Amps	App	RLA	BTUH	Watts	Amps	
ZF06K4E-PFV	LT	13.6	6500	1710	8.0											LT
	EMT	13.6	14700	2470	10.6											EMT
ZS15K4E-PFV	EMT	13.6	15300	2500	11.5											EMT
ZF06K4E-TF5	LT	9.3	6560	1610	5.1	LT	7.9	6130	1640	5.2						LT
	EMT	9.3	14700	2360	7.4	MT	7.9	15500	2140	6.7						EMT
	LC	9.3	7650	900	4.6	HT		22700	2700	8.5						
ZF06K4-TF5						MT	7.9	15500	2140	6.7						
ZS15K4E-TF5	EMT	9.3	15300	2340	7.3	LT	7.9	6130	1640	5.2						
ZB15KA-TF5						MT	7.9	15000	2090	12.7						EMT
						HT	6.4	22700	2190	6.9						
ZF06K4E-TFD	LT	4.3	6560	1610	2.5	LT	3.6	6130	1640	2.6						
	EMT	4.3	14700	2360	3.7	MT	3.6	15500	2140	3.4						
	LC	4.3	7650	900	2.3	HT		22700	2700	8.5						
ZF06K4-TFD						MT	3.6	15500	2140	3.4						
ZS15K4E-TFD	EMT	4.3	15300	2340	3.7	LT	3.6	6130	1640	2.6						
ZB15KA-TFD						MT	3.6	15000	2090	6.4						
						HT	4.3	22700	2190	3.5						
ZF08K4E-PFV	LT	16.4	8300	2130	10.0											LT
	EMT	16.4	18900	2890	12.3											EMT
ZS19K4E-PFV	EMT	16.4	18800	2960	13.7											EMT
ZF08K4E-TF5	LT	9.7	8310	2020	6.3	LT	7.9	7800	2040	6.4						LT
	EMT	9.7	18900	2870	9.0	MT	7.9	19700	2660	8.4						EMT
	LC	9.7	9400	1070	5.5	HT		28900	3360	10.6						
ZS19K4E-TF5	EMT	9.7	18800	2780	8.0	MT	7.9	18600	2590	15.1						EMT
ZB19KA-TF5						HT	10.7	28200	2720	8.3						
ZF08K4E-TFD	LT	5.0	8310	2020	3.2	LT	3.9	7800	2040	3.2						LT
	EMT	5.0	18900	2870	4.5	MT	3.9	19700	2660	4.2						EMT
	LC	5.0	9400	1070	2.7	HT		28900	3360	10.6						
ZS19K4E-TFD	EMT	5.0	18800	2780	4.0	MT	3.9	18600	2590	7.5						EMT
ZB19KA-TFD						HT	5.0	28200	2720	4.1						
ZF09K4E-PFV	LT	16.4	9300	2190	10.3											LT
	EMT	16.4	20910	3040	13.9											EMT
ZS21K4E-PFV	EMT	16.4	20900	3120	14.3											EMT
ZF09K4E-TF5	LT	11.1	9300	2070	7.1	LT	10.0	8830	2070	7.1						LT
	EMT	11.1	20900	2910	8.9	MT	10.0	21500	2840	8.8						EMT
	LC	11.1	12800	1230	5.6	HT		32340	3480	10.2						
ZS21K4E-TF5	EMT	11.1	20900	2890	8.9	MT	10.0	20900	2580	8.2						EMT
ZB21KA-TF5						HT	11.4	31500	2970	9.1						
ZF09K4E-TFD	LT	5.7	9300	2070	3.6	LT	5.0	8830	2070	3.6						LT
	EMT	5.7	20900	2910	4.4	MT	5.0	21500	2840	4.4						EMT
	LC	5.7	12800	1230	2.8	HT		32340	3480	10.2						
ZS21K4E-TFD	EMT	5.7	20900	2890	4.4	MT	5.0	20900	2580	4.1						MT
ZB21KA-TFD						HT	5.7	31500	2970	4.5						

Compressor Data

Model	Volts/ Phase	Dimensions (inches)			Mounting (inches)		Connections (inches)				Oil Type	Oil Charge (ounces)	
		L	W	H	L	W	Disch		Suct			Initial	Recharge
							RL	ST	RL	ST			
ZF06K4E-PFV	208/230-1	9.6	9.6	14.7	7.5	7.5	1	1/2	1-1/4	3/4	POE	38	34
ZS15K4E-PFV	208/230-1	9.6	9.6	14.7	7.5	7.5	1	1/2	1-1/4	3/4	POE	38	34
ZF06K4E-TF5	200/230-3	9.6	9.6	14.7	7.5	7.5	1	1/2	1-1/4	3/4	POE	38	34
ZF06K4-TF5	200/230-3	9.5	9.5	15.8	7.5	7.5						44	40
ZS15K4E-TF5	200/230-3	9.6	9.6	14.7	7.5	7.5	1	1/2	1-1/4	3/4	POE	38	34
ZB15KA-TF5	200/230-3	9.6	9.6	14.7	7.5	7.5	1	1/2	1-1/4	3/4	MO	38	34
ZF06K4E-TFD	460-3	9.6	9.6	14.7	7.5	7.5	1	1/2	1-1/4	3/4	POE	38	34
ZF06K4-TFD	460-3	9.5	9.5	15.8	7.5	7.5						44	40
ZS15K4E-TFD	460-3	9.6	9.6	14.7	7.5	7.5	1	1/2	1-1/4	3/4	POE	38	34
ZB15KA-TFD	460-3	9.6	9.6	14.7	7.5	7.5	1	1/2	1-1/4	3/4	MO	38	34
ZF08K4E-PFV	208/230-1	9.6	9.6	15.6	7.5	7.5	1	1/2	1-1/4	3/4	POE	42	38
ZS19K4E-PFV	208/230-1	9.6	9.6	15.6	7.5	7.5	1	1/2	1-1/4	3/4	POE	42	38
ZF08K4E-TF5	200/230-3	9.6	9.6	15.6	7.5	7.5	1	1/2	1-1/4	3/4	POE	42	38
ZS19K4E-TF5	200/230-3	9.6	9.6	15.6	7.5	7.5	1	1/2	1-1/4	3/4	POE	42	38
ZB19KA-TF5	200/230-3	9.6	9.6	15.6	7.5	7.5	1	1/2	1-1/4	3/4	MO	42	38
ZF08K4E-TFD	460-3	9.6	9.6	15.6	7.5	7.5	1	1/2	1-1/4	3/4	POE	42	38
ZS19K4E-TFD	460-3	9.6	9.6	15.6	7.5	7.5	1	1/2	1-1/4	3/4	POE	42	38
ZB19KA-TFD	460-3	9.6	9.6	15.6	7.5	7.5	1	1/2	1-1/4	3/4	MO	42	38
ZF09K4E-PFV	208/230-1	9.6	9.6	15.6	7.5	7.5	1	1/2	1-1/4	3/4	POE	42	38
ZS21K4E-PFV	208/230-1	9.6	9.6	15.6	7.5	7.5	1	1/2	1-1/4	3/4	POE	42	38
ZF09K4E-TF5	200/230-3	9.6	9.6	15.6	7.5	7.5	1	1/2	1-1/4	3/4	POE	42	38
ZS21K4E-TF5	200/230-3	9.6	9.6	15.6	7.5	7.5	1	1/2	1-1/4	3/4	POE	42	38
ZB21KA-TF5	200/230-3	9.6	9.6	15.6	7.5	7.5	1	1/2	1-1/4	3/4	MO	42	38
ZF09K4E-TFD	460-3	9.6	9.6	15.6	7.5	7.5	1	1/2	1-1/4	3/4	POE	42	38
ZS21K4E-TFD	460-3	9.6	9.6	15.6	7.5	7.5	1	1/2	1-1/4	3/4	POE	42	38
ZB21KA-TFD	460-3	9.6	9.6	15.6	7.5	7.5	1	1/2	1-1/4	3/4	MO	42	38

Compressor Data

“ZB, ZF, and ZS” Compressors

Model	R404A					R22					R134a					App
	App	RLA	BTUH	Watts	Amps	App	RLA	BTUH	Watts	Amps	App	RLA	BTUH	Watts	Amps	
ZF11K4E-PFV	LT	20.7	11500	2730	12.8											LT
	EMT	20.7	26200	3860	17.7											EMT
ZS26K4E-PFV	EMT	20.7	26000	3840	17.6											EMT
ZF11K4E-TF5	LT	13.6	11500	2580	8.5	LT	12.5	10900	2320	8.0						LT
	EMT	13.6	26200	3700	11.0	MT	12.5	26600	3390	10.2						EMT
	LC	13.6	15700	1520	6.6	HT		39860	4260	12.3						
ZS26K4E-TF5	EMT	13.6	26000	3550	10.6	MT	12.5	25700	3240	9.9						EMT
ZB26KA-TF5						HT	13.9	38900	3680	11.0						
ZF11K4E-TFD	LT	7.1	11500	2580	4.3	LT	6.4	10900	2320	4.0						LT
	EMT	7.1	26200	3700	5.5	MT	6.4	26600	3390	5.1						EMT
	LC	7.1	15700	1520	3.3	HT		39860	4260	12.3						
ZS26K4E-TFD	EMT	7.1	26000	3550	5.3	MT	6.4	25700	3240	5.0						MT
ZB26KA-TFD						HT	7.1	38900	3680	5.5						
ZF13K4E-PFV	LT	26.8	13200	3080	14.5											LT
	EMT	26.8	30800	4460	20.5											EMT
ZS30K4E-PFV	EMT	26.8	29900	4280	19.8											EMT
ZF13K3E-PFV	LT	26.8	13200	3080	14.5											LT
	EMT	26.8	30800	4460	20.5											MT
ZF13K4E-TF5	LT	15.0	13200	3020	9.3	LT	15.0	12600	2780	8.8	LT	15.0	7100	1650	6.5	LT
	EMT	15.0	30500	4270	12.3	MT	15.0	31100	3960	11.5	MT	15.0	19500	2430	8.1	EMT
	LC	15.0	18400	1760	6.7	HT		46600	4920	13.8						
ZS30K4E-TF5	EMT	15.0	30000	4070	11.8	MT	15.0	29800	3680	10.9	EMT	15.0	19100	2260	7.7	EMT
ZB30KA-TF5	HT	15.0	45600			HT	15.0	45600	4350	12.7						
ZF13K3E-TF5	LT	15.0	13200	3020	9.3	LT	15.0	12600	2780	8.8	LT	15.0	7100	1650	6.5	LT
	EMT	15.0	30500	4270	12.3	MT	15.0	31100	3960	11.5	MT	15.0	19500	2430	8.1	MT
						HT		46600	4920	13.8						
ZF13K4E-TFD	LT	8.2	13200	3020	4.7	LT	6.8	12600	2780	4.4	LT	8.2	7100	1650	3.3	LT
	EMT	8.2	30500	4270	6.1	MT	6.8	31100	3960	5.7	MT	8.2	19500	2430	4.0	EMT
	LC	8.2	18400	1760	3.4	HT		46600	4920	13.8						
ZS30K4E-TFD	EMT	8.2	30000	4070	5.9	MT	6.8	29800	3680	5.4	EMT	8.2	19100	2260	3.9	EMT
ZB30KA-TFD						HT	8.2	45600	4350	6.3						
ZF13K3E-TFD	LT	8.2	13200	3020	4.7	LT	6.8	12600	2780	4.4	LT	8.2	7100	1650	3.3	LT
	EMT	8.2	30500	4270	6.1	MT	6.8	31100	3960	5.7	MT	8.2	19500	2430	4.0	MT
						HT		46600	4920	13.8						
ZF15K4E-PFV	LT	31.8	16400	3760	17.7											LT
	EMT	31.8	37400	5400	24.7											EMT
ZS38K4E-PFV	EMT	31.8	36900	5590	25.7											EMT
ZF15K3E-PFV	LT	31.8	16400	3760	17.7											LT
	EMT	31.8	37400	5400	24.7											MT
ZF15K4E-TF5	LT	21.4	16400	3560	11.3	LT	16.4	15500	3420	11.0	LT	21.4	8700	2020	8.2	LT
	EMT	21.4	37400	5170	15.1	MT	16.4	38000	4850	14.3	MT	21.4	24000	2970	10.1	EMT
	LC	21.4	22600	2080	8.3	HT		56590	6080	17.2						
ZS38K4E-TF5	EMT	21.4	36900	5170	15.1	MT	16.4	36600	4470	13.4	EMT	21.4	23600	2780	9.7	EMT
ZB38KA-TF5						HT	19.3	56600	5290	15.4						
ZF15K3E-TF5	LT	21.4	16400	3560	11.3	LT	16.4	15500	3420	11.0	LT	21.4	8700	2020	8.2	LT
	EMT	21.4	37400	5170	15.1	MT	16.4	38000	4850	14.3	MT	21.4	24000	2970	10.1	MT
						HT		56590	6080	17.2						

Compressor Data

Model	Volts/ Phase	Dimensions (inches)			Mounting (inches)		Connections (inches)				Oil Type	Oil Charge (ounces)	
		L	W	H	L	W	Disch		Suct			Initial	Recharge
							RL	ST	RL	ST			
ZF11K4E-PFV	208-230-1	9.6	9.6	16.1	7.5	7.5	1	1/2	1-1/4	3/4	POE	42	38
ZS26K4E-PFV	208/230-1	9.6	9.6	16.1	7.5	7.5	1	1/2	1-1/4	3/4	POE	42	38
ZF11K4E-TF5	200/230-3	9.6	9.6	16.1	7.5	7.5	1	1/2	1-1/4	3/4	POE	42	38
ZS26K4E-TF5	200/230-3	9.6	9.6	16.1	7.5	7.5	1	1/2	1-1/4	3/4	POE	42	38
ZB26KA-TF5	200/230-3	9.6	9.6	16.1	7.5	7.5	1	1/2	1-1/4	3/4	MO	42	38
ZF11K4E-TFD	460-3	9.6	9.6	16.1	7.5	7.5	1	1/2	1-1/4	3/4	POE	42	38
ZS26K4E-TFD	460-3	9.6	9.6	16.1	7.5	7.5	1	1/2	1-1/4	3/4	POE	42	38
ZB26KA-TFD	460-3	9.6	9.6	16.1	7.5	7.5	1	1/2	1-1/4	3/4	MO	42	38
ZF13K4E-PFV	208/230-1	9.5	9.5	17.4	7.5	7.5	1	1/2	1-1/4	7/8	POE	52	48
ZS30K4E-PFV	208/230-1	9.5	9.5	17.4	7.5	7.5	1	1/2	1-1/4	7/8	POE	52	48
ZF13K3E-PFV	208/230-1	9.5	9.5	17.4	7.5	7.5	1	1/2	1-1/4	7/8	POE	52	48
ZF13K4E-TF5	200/230-3	9.5	9.5	17.4	7.5	7.5	1	1/2	1-1/4	7/8	POE	52	48
ZS30K4E-TF5	200/230-3	9.5	9.5	17.4	7.5	7.5	1	1/2	1-1/4	7/8	POE	52	48
ZB30KA-TF5	200/230-3	9.5	9.5	17.4	7.5	7.5	1	1/2	1-1/4	7/8	MO	52	48
ZF13K3E-TF5	200/230-3	9.5	9.5	17.4	7.5	7.5	1	1/2	1-1/4	7/8	POE	52	48
ZF13K4E-TFD	460-3	9.5	9.5	17.4	7.5	7.5	1	1/2	1-1/4	7/8	POE	52	48
ZS30K4E-TFD	460-3	9.5	9.5	17.4	7.5	7.5	1	1/2	1-1/4	7/8	POE	52	48
ZB30KA-TFD	460-3	9.5	9.5	17.4	7.5	7.5	1	1/2	1-1/4	7/8	MO	52	48
ZF13K3E-TFD	460-3	9.5	9.5	17.4	7.5	7.5	1	1/2	1-1/4	7/8	POE	52	48
ZF15K4E-PFV	208/230-1	9.5	9.5	17.4	7.5	7.5	1	1/2	1-1/4	7/8	POE	64	60
ZS38K4E-PFV	208/230-1	9.5	9.5	17.4	7.5	7.5	1	1/2	1-1/4	7/8	POE	64	60
ZF15K3E-PFV	208/230-1	9.5	9.5	17.4	7.5	7.5	1	1/2	1-1/4	7/8	POE	64	60
ZF15K4E-TF5	200/230-3	9.5	9.5	17.4	7.5	7.5	1	1/2	1-1/4	7/8	POE	64	60
ZS38K4E-TF5	200/230-3	9.5	9.5	17.4	7.5	7.5	1	1/2	1-1/4	7/8	POE	64	60
ZB38KA-TF5	200/230-3	9.5	9.5	17.4	7.5	7.5	1	1/2	1-1/4	7/8	MO	64	60
ZF15K3E-TF5	200/230-3	9.5	9.5	17.4	7.5	7.5	1	1/2	1-1/4	7/8	POE	64	60

Compressor Data

“ZB, ZF, and ZS” Compressors

Model	R404A					R22					R134a					App
	App	RLA	BTUH	Watts	Amps	App	RLA	BTUH	Watts	Amps	App	RLA	BTUH	Watts	Amps	
ZF15K4E-TFD	LT	9.6	16400	3560	5.7	LT	8.6	15500	3420	5.5	LT	9.6	8700	2020	4.1	LT
	EMT	9.6	37400	5170	7.5	MT	8.6	38000	4850	7.1	MT	9.6	24000	2970	5.0	EMT
	LC	9.6	22600	2080	4.2	HT		56590	6080	17.2						
ZS38K4E-TFD	EMT	9.6	36900	5170	7.5	MT	8.6	36600	4470	6.7	EMT	9.6	23600	2780	4.8	EMT
ZB38KA-TFD						HT	10.0	56600	5290	7.7						
ZF15K3E-TFD	LT	9.6	16400	3560	5.7	LT	8.6	15500	3420	5.5	LT	9.6	8700	2020	4.1	LT
	EMT	9.6	37400	5170	7.5	MT	8.6	38000	4850	7.1	MT	9.6	24000	2970	5.0	MT
						HT		56590	6080	17.2						
ZF18K4E-TF5	LT	23.9	19500	4320	14.9	LT	20.0	18200	4120	14.5	LT	23.9	10300	2430	11.5	LT
	EMT	23.9	45000	6280	19.2	MT	20.0	45400	5820	18.0	MT	23.9	28800	3610	13.5	EMT
	LC	23.9	27300	2540	11.8	HT		68400	7080	21.0						
ZS45K4E-TF5	EMT	23.9	44600	6110	18.8	MT	20.0	44100	5470	17.3	EMT	23.9	28400	3400	13.1	EMT
ZB45KA-TF5						HT	20.7	66900	6280	18.9						
ZF18K4E-TFD	LT	9.3	19500	4320	7.4	LT	7.5	18200	4120	7.2	LT	9.3	10300	2430	5.8	LT
	EMT	9.3	45000	6280	9.6	MT	7.5	45400	5820	9.0	MT	9.3	28800	3610	5.4	EMT
	LC	9.3	27300	2540	5.9	HT		68400	7080	21.0						
ZS45K4E-TFD	EMT	9.3	44600	6110	9.4	MT	8.9	44100	5470	8.6	EMT	9.3	28400	3400	6.5	EMT
ZB45KA-TFD						HT	10.0	66900	6280	9.4						
ZF24K4E-TWC	LT	30.9	23400	5520	19.8	LT	23.5	21800	5510	19.7	LT	30.9	12700	3290	16.0	LT
	EMT	30.9	53600	8070	25.3	MT	23.5	54300	7630	24.2	MT	30.9	34400	4640	18.1	EMT
	LC	30.9	32500	3570	16.4	HT		82430	9250	27.9						
ZS56K4E-TWC	EMT	30.9	53300	7800	24.6	MT	23.5	53000	7030	22.8	EMT	30.9	33500	4570	18.0	EMT
ZB56KA-TWC						HT	27.2	82400	8000	25.4						
ZF24K4E-TWD	LT	16.2	23400	5520	9.9	LT	11.8	21800	5510	9.8	LT	16.2	12700	3290	8.0	LT
	EMT	16.2	53600	8070	12.6	MT	11.8	54300	7630	12.1	MT	16.2	34400	4640	9.1	EMT
	LC	16.2	32500	3570	8.2	HT		82430	9250	27.9						
ZS56K4E-TWD	EMT	16.2	53300	7800	12.3	MT	11.8	53000	7030	11.4	EMT	16.2	33500	4570	9.0	EMT
ZB56KA-TWD						HT	14.3	82400	8000	12.7						
ZF33K4E-TWC	LT	44.9	33500	7740	25.9	LT	31.0	31100	6950	24.3	LT	44.9	17600	4350	19.4	LT
	EMT	44.9	76600	11500	34.5	MT	31.0	76700	10370	31.9	MT	44.9	48800	6730	23.9	EMT
	LC	44.9	46600	4900	20.5	HT		11910	12450	37.0						
ZS75K4E-TWC	EMT	44.9	76700	11280	34.0	MT	31.0	75800	9870	30.7	EMT	44.9	47900	6410	23.3	EMT
ZB68KA-TWC						HT	34.3	100200	9590	28.4						
ZB75KA-TWC						HT	38.6	116100	11010	32.8						
ZF33K4E-TWD	LT	21.7	33500	7740	13	LT	15.1	31100	6950	12.1	LT	21.7	17600	4350	9.7	LT
	EMT	21.7	76600	11500	17.2	MT	15.1	76700	10370	15.9	MT	21.7	48800	6730	11.9	EMT
	LC	21.7	46600	4900	10.3	HT		11910	12450	37.0						
ZS75K4E-TWD	EMT	21.7	76700	11280	17.0	MT	15.1	75800	9870	15.3	EMT	21.7	47900	6410	11.6	EMT
ZB68KA-TWD						HT	17.5	100200	9590	14.2						
ZB75KA-TWD						HT	18.9	116100	11010	16.4						
ZF40K4E-TWC	LT	54.4	41000	9530	29.2	LT	41.9	37500	8640	27.2						LT
	EMT	54.4	93200	13850	39.2	MT	41.9	94300	12530	36.1						EMT
	LC	54.4	56900	5990	22.0	HT		142700	15570	43.3						
ZS92K4E-TWC	EMT	54.4	93000	13430	38.2	MT	54.4	92500	11940	34.6						EMT
ZB92KA-TWC						HT	47.1	143100	13550	38.1						

Compressor Data

Model	Volts/ Phase	Dimensions (inches)			Mounting (inches)		Connections (inches)				Oil Type	Oil Charge (ounces)	
		L	W	H	L	W	Disch		Suct			Initial	Recharge
							RL	ST	RL	ST			
ZF15K4E-TFD	460-3	9.5	9.5	17.4	7.5	7.5	1	1/2	1-1/4	7/8	POE	64	60
ZS38K4E-TFD	460-3	9.5	9.5	17.4	7.5	7.5	1	1/2	1-1/4	7/8	POE	64	60
ZB38KA-TFD	460-3	9.5	9.5	17.4	7.5	7.5	1	1/2	1-1/4	7/8	MO	64	60
ZF15K3E-TFD	460-3	9.5	9.5	17.4	7.5	7.5	1	1/2	1-1/4	7/8	POE	64	60
ZF18K4E-TF5	200/230-3	9.5	9.5	17.4	7.5	7.5	1	1/2	1-1/4	7/8	POE	64	60
ZS45K4E-TF5	200/230-3	9.5	9.5	17.4	7.5	7.5	1	1/2	1-1/4	7/8	POE	64	60
ZB45KA-TF5	200/230-3	9.5	9.5	17.4	7.5	7.5	1	1/2	1-1/4	7/8	MO	64	60
ZF18K4E-TFD	460-3	9.5	9.5	17.4	7.5	7.5	1	1/2	1-1/4	7/8	POE	64	60
ZS45K4E-TFD	460-3	9.5	9.5	17.4	7.5	7.5	1	1/2	1-1/4	7/8	POE	64	60
ZB45KA-TFD	460-3	9.5	9.5	17.4	7.5	7.5	1	1/2	1-1/4	7/8	MO	64	60
ZF24K4E-TWC	208/230-3	12.6	13.9	21.2	8.7	8.7	1-1/4		1-3/4		POE	140	135
ZS56K4E-TWC	208/230-3	12.6	13.9	21.2	8.7	8.7	1-1/4		1-3/4		POE	140	135
ZB56KA-TWC	208/230-3	12.6	13.9	21.2	8.7	8.7	1-1/4		1-3/4		MO	140	135
ZF24K4E-TWD	460-3	12.6	13.9	21.2	8.7	8.7	1-1/4		1-3/4		POE	140	135
ZS56K4E-TWD	460-3	12.6	13.9	21.2	8.7	8.7	1-1/4		1-3/4		POE	140	135
ZB56KA-TWD	460-3	12.6	13.9	21.2	8.7	8.7	1-1/4		1-3/4		MO	140	135
ZF33K4E-TWC	208/230-3	12.6	13.9	21.2	8.7	8.7	1-1/4		1-3/4		POE	140	135
ZS75K4E-TWC	208/230-3	12.6	13.9	21.2	8.7	8.7	1-1/4		1-3/4		POE	140	135
ZB68KA-TWC	208/230-3	12.6	13.9	21.2	8.7	8.7	1-1/4		1-3/4		MO	140	135
ZB75KA-TWC	208/230-3	12.6	13.9	21.2	8.7	8.7	1-1/4		1-3/4		MO	140	135
ZF33K4E-TWD	460-3	12.6	13.9	21.2	8.7	8.7	1-1/4		1-3/4		POE	140	135
ZS75K4E-TWD	460-3	12.6	13.9	21.2	8.7	8.7	1-1/4		1-3/4		POE	140	135
ZB68KA-TWD	460-3	12.6	13.9	21.2	8.7	8.7	1-1/4		1-3/4		MO	140	135
ZB75KA-TWD	460-3	12.6	13.9	21.2	8.7	8.7	1-1/4		1-3/4		MO	140	135
ZF40K4E-TWC	208/230-3	12.6	13.9	21.2	8.7	8.7	1-1/4		1-3/4		POE	140	135
ZS92K4E-TWC	208/230-3	12.6	13.9	21.2	8.7	8.7	1-1/4		1-3/4		POE	140	135
ZB92KA-TWC	208/230-3	12.6	13.9	21.2	8.7	8.7	1-1/4		1-3/4		MO	140	135

Compressor Data

“ZB, ZF, and ZS” Compressors

Model	R404A					R22					R134a					App
	App	RLA	BTUH	Watts	Amps	App	RLA	BTUH	Watts	Amps	App	RLA	BTUH	Watts	Amps	
ZF40K4E-TWD	LT	25.8	41000	9530	14.6	LT	20.6	37500	8640	13.6						
	EMT	25.8	93200	13850	19.6	MT	20.6	94300	12530	18.0						
	LC	25.8	56900	5990	11.0	HT		142700	15570	43.3						
ZS92K4E-TWD	EMT	25.8	93000	13430	19.1	MT	20.6	92500	11940	17.3						
ZB92KA-TWD						HT	25.0	143100	13550	19.0						
ZF48K4E-TWC	LT	60.0	47100	11720	35.6	LT	48.2	43200	10830	33.4						
	EMT	60.0	107200	17020	47.8	MT	48.2	108400	15710	44.3						
	LC	60.0	65500	7370	26.8	HT		164100	19520	53.2						
ZS11M4E-TWC	EMT	60.0	107000	16510	46.6	MT	48.2	106400	14970	42.5						
ZB11MA-TWC						HT	60.0	171000	16050	22.4						
ZF48K4E-TWD	LT	28.2	47100	11720	35.6	LT	22.1	43200	10830	16.7						
	EMT	28.2	107200	17020	23.9	MT	22.1	108400	15710	22.1						
	LC	28.2	65500	7370	13.4	HT		164100	19520	53.2						
ZS11M4E-TWD	EMT	28.2	107000	16510	46.6	MT	22.1	106400	14970	42.5						
ZB11MA-TWD						HT	28.2	171000	16050	22.4						
ZB50KC-TF5						AC	28.6	84000	7440	22.8						
ZR84KC-TF5						HT	28.6	77700	7440	22.8						
BRD2-0750-TFC						AC	28.6	84000	7440	22.8						
QR85K1-TFC						AC		89900								
H2BG094DBL						AC	30.1	85300	8910	26.6						
H2NG094DPL						AC	24.0	88700	8580							
						AC	24.5	87700	8685							
ZB50KC-TFD						AC	14.2	84000	7440	11.4						
ZR84KC-TFD						HT	14.2	77700	7440	11.4						
BRD2-0750-TFD						AC	14.2	84000	7440	11.4						
QR85K1-TFD						AC		89900								
H2BG094DBE						AC	15.8	85300	8910	13.3						
H2NG094DPE						AC	12.3	88700	8580							
						AC	12.3	87700	8685							
ZB58KC-TF5						AC	32.1	94000	8250	25.6						
ZR94KC-TF5						HT	32.1	84000								
BRE2-0750-TFC						AC	32.1	94000	8250	25.6						
BRE4-0750-TFC						AC		97100								
QR90K1-TFC						AC		97100								
SF*5594EXT						AC	30.1	91300	9600	27.8						
SF5594EXT						AC	25.0	93000	8450							
AN*5590EXT						AC		93500								
AN2290EXT						AC		92500	9750							
AN*5610EXT						AC		92500								
AN5610EXT						AC		100000								
H2NG104DPL						AC		100000	10000							
H25G094DBL						AC	30.8	101800	10335							
H2BG104DBL						AC	25.2	90500	8380							
						AC	29.3	103900	10025							

Compressor Data

Model	Volts/ Phase	Dimensions (inches)			Mounting (inches)		Connections (inches)				Oil Type	Oil Charge (ounces)	
		L	W	H	L	W	Disch		Suct			Initial	Recharge
							RL	ST	RL	ST			
ZF40K4E-TWD	460-3	12.6	13.9	21.2	8.7	8.7	1-1/4		1-3/4		POE	140	135
ZS92K4E-TWD	460-3	12.6	13.9	21.2	8.7	8.7	1-1/4		1-3/4		POE	140	135
ZB92KA-TWD	460-3	12.6	13.9	21.2	8.7	8.7	1-1/4		1-3/4		MO	140	135
ZF48K4E-TWC	208/230-3	12.6	13.9	23.4	8.7	8.7	1-3/4		2-1/4		POE	140	135
ZS11M4E-TWC	208/230-3	12.6	13.9	23.4	8.7	8.7	1-3/4		2-1/4		POE	140	135
ZB11MA-TWC	208/230-3	12.6	13.9	23.4	8.7	8.7	1-3/4		2-1/4		MO	140	135
ZF48K4E-TWD	460-3	12.6	13.9	23.4	8.7	8.7	1-3/4		2-1/4		POE	140	135
ZS11M4E-TWD	460-3	12.6	13.9	23.4	8.7	8.7	1-3/4		2-1/4		POE	140	135
ZB11MA-TWD	460-3	12.6	13.9	23.4	8.7	8.7	1-3/4		2-1/4		MO	140	135
ZB50KC-TF5	200/230-3	10.4	11.2	19.3	7.5	7.5		7/8		1 1/8			
ZR84KC-TF5	200/230-3	10.4	11.2	18.8	7.5	7.5		7/8		1 1/8		85	81
BRD2-0750-TFC	208/230-3	14.3	13.3	18.4	8.7	8.7		3/4		1 1/8			
QR85K1-TFC	208/230-3	14.3	13.3	18.4	8.7	8.7		3/4		1 1/8		110	106
H2BG094DBL	200/230-3			18.0				1 1/4		1 3/4		96	80
H2NG094DPL	200/230-3			17.5				1 1/8		7/8		96	80
ZB50KC-TFD	460-3	10.4	11.2	19.3	7.5	7.5		7/8		1 1/8			
ZR84KC-TFD	460-3	10.4	11.2	18.8	7.5	7.5		7/8		1 1/8		85	81
BRD2-0750-TFD	460-3	14.3	13.3	18.4	8.7	8.7		3/4		1 1/8			
QR85K1-TFD	460-3	14.3	13.3	18.4	8.7	8.7		3/4		1 1/8		110	106
H2BG094DBE	460-3			18.0				1 1/4		1 3/4		96	80
H2NG094DPE	4603			17.5				7/8		1 1/8		96	80
ZB58KC-TF5	200/230-3	10.4	11.2	19.3	7.5	7.5		7/8		1 1/8			
ZR94KC-TF5	200/230-3	10.4	11.2	18.8	7.5	7.5		7/8		1 1/8		85	81
BRE2-0750-TFC	208/230-3	14.3	13.3	18.4	8.7	8.7		3/4		1 1/8			
BRE4-0750-TFC	208/230-3	14.3	13.3	18.4	8.7	8.7		3/4		1 1/8			
QR90K1-TFC	208/230-3	14.3	13.3	18.4	8.7	8.7		3/4		1 1/8		110	106
SF*5594EXT	200/230-3												
SF5594EXT	200/230-3												
AN*5590EXT	200/230-3												
AN2290EXT	200/230-3			20.0	8.7	8.7		3/4		1 1/8		130	
AN*5610EXT	200/230-3												
AN5610EXT	200/230-3			20.0	8.7	8.7		3/4		1 1/8		130	
H2NG104DPL	200/230-3			18.2				7/8		1 1/8		96	80
H25G094DBL	208/230-3			18.7				1 1/4		1 3/4		96	80
H2BG104DBL	200/230-3			18.7				1 1/4		1 3/4		96	80

Compressor Data

“ZB, ZF, and ZS” Compressors

Model	R404A				R22				R134a				App
	App	RLA	BTUH	Watts Amps	App	RLA	BTUH	WattsAmps	App	RLA	BTUH	Watts Amps	
ZB58KC-TFD					AC	16.4	94000	8240	12.6				
					HT	16.4	84000						
ZR94KC-TFD					AC	16.4	94000	8240	12.6				
BRE2-0750-TFD					AC		97100						
BRE4-0750-TFD					AC		97100						
QR90K1-TFD					AC	15.8	91300	9600	13.9				
SF*5594EXG					AC	12.4	93000	8450					
SF5594EXG					AC		93500						
AN*5590EXG					AC		92500	9750					
AN2290EXG					AC		92500						
AN*5610EXG					AC		100000						
AN5610EXG					AC		100000	10000					
H2NG104DPE					AC	15.4	101800	10335					
H25G094DBE					AC	12.6	90500	8380					
H2BG104DBE					AC	14.6	103900	10025					
ZB66KC-TF5					AC	34	108900	9480	28.1				
					HT		100730						
ZR108KC-TF5					AC	34	108900	9480	28.1				
ZR11M3-TWC					AC	34.3	108300	9600	28.7				
SF*5611EXT					AC		107000						
SF5611EXT					AC		107000						
AN*5612EXT					AC		122000						
AN5612EXT					AC		122000	12450					
H25G104DBL					AC	29.8	102000	9445					
ZB66KC-TFD					AC	17	108700	9480	14.1				
					HT		100547						
ZR108KC-TFD					AC	17	108700	9480	14.1				
ZR11M3-TWD					AC	17.5	108300	9600	14.3				
SF*5611EXG					AC		107000						
SF5611EXG					AC		107000						
AN*5612EXG					AC		122000						
AN5612EXG					AC		122000	12450					
H25G104DBE					AC	15	102000	9445					
ZB76KC-TF5					AC	42	125900	10920	32.5				
					HT	33.6	108900						
ZR125KC-TF5					AC	42	125900	10920	32.5				
ZR12M3-TWC					AC	38.6	125500	11000	32.9				
BRG2-0900-TFC					AC		110000						
BRH2-1000-TFC					AC		125000						
QR11M1-TFC					AC	38.5	102000	10700	31.2				
QR12M1-TFC					AC	42.1	115000	12700	36.5				
SF*5612EXT					AC		127000						
SF5612EXT					AC		127000						
H2BG124DBL					AC	36	121500	12010					
H2NG124DPL					AC	36.1	119400	12380					
H25G124DBL					AC	35.2	118000	11030					

Compressor Data

Model	Volts/ Phase	Dimensions (inches)			Mounting (inches)		Connections (inches)				Oil Type	Oil Charge (ounces)	
		L	W	H	L	W	Disch		Suct			Initial	Recharge
							RL	ST	RL	ST			
ZB58KC-TFD	460-3	10.4	11.2	19.3	7.5	7.5	7/8		1 1/8				
ZR94KC-TFD	460-3	10.4	11.2	18.8	7.5	7.5	7/8		1 1/8		85	81	
BRE2-0750-TFD	460-3	14.3	13.3	18.4	8.7	8.7	3/4		1 1/8				
BRE4-0750-TFD	460-3	14.3	13.3	18.4	8.7	8.7	3/4		1 1/8				
QR90K1-TFD	460-3	14.3	13.3	18.4	8.7	8.7	3/4		1 1/8		110	106	
SF*5594EXG	460-3												
SF5594EXG	460-3												
AN*5590EXG	460-3												
AN2290EXG	460-3			20	8.7	8.7	3/4		1 1/8		130		
AN*5610EXG	460-3												
AN5610EXG	460-3			20	8.7	8.7	3/4		1 1/8		130		
H2NG104DPE	460-3			18.2			7/8		1 1/8		96	80	
H25G094DBE	460-3			18.7			1 1/4		1 3/4		96	80	
H2BG104DBE	460-3			18.7			1 1/4		1 3/4		96	80	
ZB66KC-TF5	200/230-3	10.4	11.2	21.5	7.5	7.5	7/8		1 3/8				
ZR108KC-TF5	200/230-3	10	11	22	7.5	7.5	7/8 1 3/8		110		106		
ZR11M3-TWC	208/230-3	13	14	22	8.7	8.7	1 1/4 1 3/4						
SF*5611EXT	208/230-3			19	7.5	7.5	3/4 1 3/8		82				
SF5611EXT	208/230-3												
AN*5612EXT	208/230-3												
AN5612EXT	208/230-3			20	8.7	8.7	3/4 1 1/8		130				
H25G104DBL	200/230-3			19.9			1 1/4		1 3/4				
ZB66KC-TFD	460-3	10.4	11.2	21.5	7.5	7.5	7/8		1 3/8				
ZR108KC-TFD	460-3	10	11	22	7.5	7.5	7/8 1 3/8		110		106		
ZR11M3-TWD	460-3	13	14	22	8.7	8.7	1 1/4 1 3/4						
SF*5611EXG	460-3			19	7.5	7.5	3/4		1 3/8				
SF5611EXG	460-3												
AN*5612EXG	460-3												
AN5612EXG	460-3			20	8.7	8.7	3/4		1 1/8				
H25G104DBE	460-3			20			1 1/4		1 3/4				
ZB76KC-TF5	200/230-3	10.4	11.2	21.5	7.5	7.5	7/8		1 3/8				
ZR125KC-TF5	200/230-3	10.4	11.2	21.5	7.5	7.5	7/8		1 3/8		110	106	
ZR12M3-TWC	208/230-3	12.6	14.1	21.5	8.7	8.7	1 1/4		1 3/4				
BRG2-0900-TFC	208/230-3	14.3	13.3	18.4	8.7	8.7	3/4		1 1/8				
BRH2-1000-TFC	208/230-3	14.3	13.3	18.4			3/4		1 1/8				
QR11M1-TFC	208/230-3	14.3	13.3	18.4	8.7	8.7	3/4		1 1/8		110	106	
QR12M1-TFC	208/230-3	14.3	13.3	18.4	8.7	8.7	3/4		1 1/8		110	106	
SF*5612EXT	200/230-3			18.8	7.5	7.5	3/4		1 3/8		82		
SF5612EXT	200/230-3												
H2BG124DBL	200/230-3			18.7			1 1/4		1 3/4		96	80	
H2NG124DPL	200/230-3			18.2			7/8		1 1/8		96	80	
H25G124DBL	200/230-3			20.7			1 1/4		1 3/4		96	80	

Compressor Data

“ZB, ZF, and ZS” Compressors

Model	R404A				R22				R134a				App
	App	RLA	BTUH	Watts Amps	App	RLA	BTUH	WattsAmps	App	RLA	BTUH	Watts Amps	
ZB76KC-TFD					AC 19.2 126400 11000 16.3								
					HT 17.3 108900								
ZR125KC-TFD					AC 19.2 126400 11000 16.3								
ZR12M3-TWD					AC 18.9 125500 11000 16.5								
BRG2-0900-TFD					AC 110000								
BRH2-1000-TFD					AC 125000								
QR11M1-TFD					AC 19.3 102000 10700 15.6								
QR12M1-TFD					AC 21.1 115000 12700 18.2								
SF*5612EXG					AC 127000								
SF5612EXG					AC 127000								
H2BG124DBE					AC 17 119000 12030								
H2NG124DPE					AC 18.1 119400 12380								
H25G124DBE					AC 17.6 118000 11030								
ZB88KC-TF5					AC 47.1 142800 12420 36.5								
					HT 42.0 126400								
ZR144KC-TF5					AC 47.1 142800 12420 36.5								
BRK2-1200-TFC					AC 150000								
QR15M1-TFC					AC 27.6 142000 15800 22.7								
SF*5615EXF					AC 150000 13900								
SF5615EXF					AC 150000								
AN*5614EXF					AC 140000								
AN5614EXF					AC 140000 14550								
H25G144DBL					AC 43.1 140000 13860								
H2NG144DPL					AC 41.7 144100 14820								
ZB88KC-TFD					AC 19.6 142800 12420 18.3								
					HT 19.2 126400								
ZR144KC-TFD					AC 19.6 142800 12420 18.3								
BRK2-1200-TFD					AC 150000								
QR15M1-TFD					AC 27.6 142000 15800 22.7								
SF*5615EXG					AC 150000 13900								
SF5615EXG					AC 150000								
AN*5614EXG					AC 140000								
AN5614EXG					AC 140000 14550								
H25G144DBE					AC 21.6 140000 13860								
H2NG144DPE					AC 20.9 144100 14820								

Compressor Data

Model	Volts/ Phase	Dimensions (inches)			Mounting (inches)		Connections (inches)				Oil Type	Oil Charge (ounces)	
		L	W	H	L	W	Disch		Suct			Initial	Recharge
							RL	ST	RL	ST			
ZB76KC-TFD	460-3	10.4	11.2	21.5	7.5	7.5	7/8		1 3/8				
ZR125KC-TFD	460-3	10.4	11.2	21.5	7.5	7.5	7/8		1 3/8		110	106	
ZR12M3-TWD	460-3	12.6	14.1	21.5	8.7	8.7	1 1/4		1 3/4				
BRG2-0900-TFD	460-3	14.3	13.3	18.4	8.7	8.7	3/4		1 1/8				
BRH2-1000-TFD	460-3	14.3	13.3	18.4	8.7	8.7	3/4		1 1/8				
QR11M1-TFD	460-3	14.3	13.3	18.4	8.7	8.7	3/4		1 1/8		110	106	
QR12M1-TFD	460-3	14.3	13.3	18.4	8.7	8.7	3/4		1 1/8		110	106	
SF*5612EXG	460-3			18.8	7.5	7.5	3/4		1 3/8		82		
SF5612EXG	460-3												
H2BG124DBE	460-3			18.7			1 1/4		1 3/4		96	80	
H2NG124DPE	460-3			18.2			7/8		1 1/8		96	80	
H25G124DBE	460-3			20.7			1 1/4		1 3/4		96	80	
ZB88KC-TF5	200/230-3	10.4	11.2	21.5	7.5	7.5	7/8		1 3/8				
ZR144KC-TF5	200/230-3	10.4	11.2	21.5	7.5	7.5	7/8		1 3/8		110	106	
BRK2-1200-TFC	208/230-3	10.4	11.2	21.5	7.5	7.5	7/8		1 3/8		110	106	
QR15ML-TFC	208/230-3			18.8	7.5	7.5	3/4		1 3/8		82		
SF*5615EXF	208/230-3			18.8	7.5	7.5	3/4 1 3/8		82				
SF5615EXF	208/230-3												
AN*5614EXF	208/230-3												
AN5614EXF	208/230-3			20.0	8.7	8.7	3/4 1 1/8		130				
H25G144DBL	208/230-3			20.8			1 1/4 1 3/4		96		80		
H2NG144DPL	208/230-3			22.5			7/8 1 1/8		104		88		
ZB88KC-TFD	460-3	10.4	11.2	21.5	7.5	7.5	7/8		1 3/8				
ZR144KC-TFD	460-3	10.4	11.2	21.5	7.5	7.5	7/8		1 3/8		110	106	
BRK2-1200-TFD	460-3	14.3	13.3	18.4	8.7	8.7	3/4		1 1/8				
QR15M1-TFD	460-3	14.3	13.3	18.4	8.7	8.7	3/4		1 1/8		110	106	
SF*5615EXG	460-3			18.8	7.5	7.5	3/4		1 3/8		82		
SF5615EXG	460-3												
AN*5614EXG	460-3												
AN5614EXG	460-3			20.0	8.7	8.7	3/4		1 1/8		130		
H25G144DBE	460-3			20.8			1 1/4		1 3/4		96	80	
H2NG144DPE	460-3			22.5			7/8		1 1/8		104	88	

Compressor Data

“ZR” Compressors

Model	R134a				R22				R407C			
	App	RLA	BTUH	Watts Amps	App	RLA	BTUH	WattsAmps	App	RLA	BTUH	Watts Amps
ZR16K4-PFV					AC	10.0	16500	1560	6.7			
ZR16KC-PFV					AC	10.0	16500	1560	6.8			
ZR18K3-PFV					AC	9.3	18100	1730	7.7			
ZR18K1-PFV					AC	10.7	18000	1730	8.0			
ZR18K3E-PFV										AC	9.3	18200 1800 8.1
ZR18K4-PFV					AC	10.7	18000	1700	7.5			
ZR18KC-PFV					AC	10.7	18000	1700	7.5			
ZR22K3-PFV					AC	11.4	22100	2010	9.0			
ZR22KC-PFV					AC	11.4	22000	2020	8.9			
ZR23K1-PFV					AC	12.9	22900	2100	9.6			
AW*5520E					AC	9.3	20200	1800				
AW5520EXD					AC		20450					
AB5520EXD					AC		20300					
AJ*5518E					AC		20300					
AH8524EXD					AC		21500					
AW*5522E					AC	10.1	22000	2020				
AB5522EXD					AC		22000					
AW5522EXD					AC		21700					
B21T18					AC		22000					
SA*5522E					AC		22000					
SA5522EXD					AC		22000					
AH22M12					AC		22000					
AH22M12V					AC		22000					
AH5522EXD					AC		22000					
AH8526EXD					AC		22600					
E64U18					AC		22000					
H29B20UABC					AC	8.6	20420	1915				
H29B22UABC					AC	9.6	22540	2105				
H27B20QCBC					AC	8.1	20900	1830				
H27B22QCBC					AC	8.9	22800	2000				
H26B20QCBC					AC	8.4	20600	1839				
H26B22QCBC					AC	8.7	22000	1964				
H25B20QABC					AC	8.6	20600	1905				
H25B22QABC					AC	9.4	22700	2065				
H24B203ABC					AC	10.9	20300	2255				
H24B21QABC					AC	10.7	20200	2270				
H24B22QABC					AC	12.0	21800	2460				
H23B223ABC					AC	9.7	22800	2205				
H23B22QABC					AC	9.7	21800	2225				
H21B223ABC					AC	10.2	21800	2310				
H20B20SABC					AC	8.8	20600	1950				
H23B22SABC					AC	9.4	21550	2030				
H20C233ABC					AC	11.5	22800	2100				
ZR22K3-TF5					AC	7.8	22100	2090	6.3			
ZR22K3-TFD					AC	3.9	22100	2130	3.2			

Compressor Data

Model	Volts/ Phase	Dimensions (inches)			Mounting (inches)		Connections (inches)		Oil Type	Oil Charge (ounces)	
		L	W	H	L	W	Disch	Suct		Initial	Recharge
ZR16K4-PFV	208/230-1	9.5	9.5	14.9	7.5	7.5	1/2	3/4		25	22
ZR16KC-PFV	208/230-1	9.5	9.5	14.9	7.5	7.5	1/2	3/4		25	21
ZR18K3-PFV	208/230-1	9.5	9.5	14.3	7.5	7.5	1/2	3/4		38	34
ZR18K1-PFV	208/230-1	9.4	9.4	13.9	7.5	7.5	1/2	3/4		24	20
ZR18K3E-PFV	208/230-1	9.5	9.5	14.3	7.5	7.5	1/2	3/4	POE	38	34
ZR18K4-PFV	208/230-1	9.5	9.5	14.9	7.5	7.5	1/2	3/4		25	21
ZR18KC-PFV	208/230-1	9.5	9.5	14.9	7.5	7.5	1/2	3/4		25	21
ZR22K3-PFV	208/230-1	9.5	9.5	14.8	7.5	7.5	1/2	3/4		38	34
ZR22KC-PFV	208/230-1	9.5	9.5	14.9	7.5	7.5	1/2	3/4		25	21
ZR23K1-PFV	208/230-1	9.4	9.4	13.9	7.5	7.5	1/2	3/4		26	22
AW*5520E	208/230-1										
AW5520EXD				12.8	7.5	7.5	3/8	3/4			
AB5520EXD				12.6	7.5	7.5	3/8	1/2			
AJ*5518E											
AH8524EXD				14.6	7.5	7.5	3/8	5/8			
AW*5522E	208/230-1										
AB5522EXD				12.6	7.5	7.5	3/8	1/2			
AW5522EXD				12.8	7.5	7.5	3/8	3/4			
B21T18											
SA*5522E											
SA5522EXD											
AH22M12											
AH22M12V											
AH5522EXD											
AH8526EXD				15.1	7.5	7.5	3/8	5/8			
E64U18											
H29B20UABC	208/230-1			14.0			3/8	5/8		35	32
H29B22UABC	208/230-1			14.0			3/8	5/8		35	32
H27B20QCBC	208/230-1			15.3			1/2	3/4		35	32
H27B22QCBC	208/230-1			15.3			1/2	3/4		35	32
H26B20QCBC	208/230-1			15.0			3/8	3/4		35	32
H26B22QCBC	208/230-1			15.0			3/8	3/4		35	32
H25B20QABC	208/230-1			14.3			3/8	3/4		35	32
H25B22QABC	208/230-1			14.3			3/8	3/4		35	32
H24B203ABC	208/230-1			12.9			5/16	1/2		40	37
H24B21QABC	208/230-1			12.6			5/16	1/2		40	37
H24B22QABC	208/230-1			12.6			5/16	1/2		40	37
H23B223ABC	208/230-1			13.8			3/8	5/8		40	37
H23B22QABC	208/230-1			13.8			3/8	5/8		40	37
H21B223ABC	208/230-1			13.3			3/8	5/8		40	37
H20B20SABC	208/230-1			13.8			3/8	5/8		40	37
H23B22SABC	208/230-1			13.8			3/8	5/8		40	37
H20C233ABC	208/230-1			15.4			1/2	3/4		36	34
ZR22K3-TF5	200/230-3	9.5	9.5	14.8	7.5	7.5	1/2	3/4		38	34
ZR22K3-TFD	460-3	9.5	9.5	14.8	7.5	7.5	1/2	3/4		38	34

Compressor Data

“ZR” Compressors

Model	R134a				R22				R407C				
	App	RLA	BTUH	Watts Amps	App	RLA	BTUH	WattsAmps	App	RLA	BTUH	Watts Amps	
ZR22K4-PFV					AC	12.1	22000	2040	8.8				
ZR22K3E-PFV										AC	11.4	22200	2140 9.6
ZR22K3E-TF5										AC	7.8	TBD	
ZR22K3E-TFD										AC	3.9	TBD	
ZR24K3-PFV					AC	13.6	24500	2230	10.0				
ZR24KC-PFV					AC	13.2	24000	2200	9.8				
AW*5524E					AC	11.0	24200	2300					
AB5524EXD					AC		24000						
AW5524EXD					AC		23700						
B02A					AC		24000						
B21U18					AC		24000						
SA*5524E					AC		24000						
SA5524EXD					AC		24000						
AH5524EXD					AC		24000						
AH24P12					AC		24000						
AH24P12V					AC		24000						
AH8529EXD					AC		24575						
H29B24UABC					AC	9.6	24250	2215					
H27B24QCBC					AC	9.4	24100	2110					
H26B24QCBC					AC	9.4	24000	2136					
H25B24QABC					AC	9.6	24000	2180					
H24B223ABC					AC	12.2	23390	2695					
H24B24QABC					AC	12.0	23200	2610					
H23B243ABC					AC	10.4	24300	2380					
H23B24QABC					AC	10.9	24000	2450					
H23B24SABC					AC	10.0	24500	2300					
H20B243ABC					AC	12.8	23200	2610					
ZR24K3-TF5					AC	8.6	24500	2190	6.9				
ZR24K3-TFD					AC	4.3	24500	2280	3.5				
ZR24K4-PFV					AC	13.6	24000	2220	9.9				
ZR24K3E-PFV										AC	13.6	24600	2370 10.7
ZR24K3E-TF5										AC	8.6	24700	2310 7.2
ZR24K3E-TFD										AC	4.3	24700	2310 3.6
ZR26K3-PFV					AC	13.6	26200	2380	10.9				
ZR26KC-PFV					AC	15.0	26200	2400	11.1				
ZR26K1-PFV					AC	15.0	25800	2360	11.5				
ZR26K3-TF5					AC	8.6	26200	2340	7.0				
ZR26K3-TFD					AC	4.3	26200	2430	3.8				
ZR26K3E-PFV										AC	13.6	26500	2490 11.2

TBD - To Be Determined

Compressor Data

Model	Volts/ Phase	Dimensions (inches)			Mounting (inches)		Connections (inches)		Oil Type	Oil Charge (ounces)	
		L	W	H	L	W	Disch	Suct		Initial	Recharge
ZR22K4-PFV	208/230-1	9.5	9.5	14.9	7.5	7.5	1/2	3/4		25	21
ZR22K3E-PFV	208/230-1	9.5	9.5	14.8	7.5	7.5	1/2	3/4	POE	38	34
ZR22K3E-TF5		9.5	9.5	14.8	7.5	7.5	1/2	3/4	POE	38	34
ZR22K3E-TFD		9.5	9.5	14.8	7.5	7.5	1/2	3/4	POE	38	34
ZR24K3-PFV	208/230-1	9.5	9.5	14.8	7.5	7.5	1/2	3/4		38	34
ZR24KC-PFV	208/230-1	9.5	9.5	14.9	7.5	7.5	1/2	3/4		25	21
AW*5524E	208/230-1										
AB5524EXD				12.8	7.5	7.5	5/16	1/2			
AW5524EXD				12.8	7.5	7.5	3/8	3/4			
B02A											
B21U18											
SA*5524E											
SA5524EXD											
AH5524EXD				14.6	7.5	7.5	3/8	5/8			
AH24P12											
AH24P12V				14.4	7.5	7.5	3/8	5/8			
AH8529EXD				14.5	7.5	7.5	3/8	3/4			
H29B24UABC	208/230-1			14.0			3/8	5/8		35	32
H27B24QCBC	208/230-1			15.3			1/2	3/4		35	32
H26B24QCBC	208/230-1			15.0			3/8	3/4		35	32
H25B24QABC	208/230-1			14.8			3/8	3/4		35	32
H24B223ABC	208/230-1			13.6			5/16	1/2		40	37
H24B24QABC	208/230-1			13.3			5/16	1/2		40	37
H23B243ABC	208/230-1			13.8			3/8	5/8		40	37
H23B24QABC	208/230-1			13.8			3/8	5/8		40	37
H23B24SABC	208/230-1			14.3			3/8	5/8		40	37
H20B243ABC	208/230-1			13.3			3/8	1/2		40	37
ZR24K3-TF5	200/230-3	9.5	9.5	14.8	7.5	7.5	1/2	3/4		38	34
ZR24K3-TFD	460-3	9.5	9.5	14.8	7.5	7.5	1/2	3/4		38	34
ZR24K4-PFV	208/230-1	9.5	9.5	14.9	7.5	7.5	1/2	3/4		25	21
ZR24K3E-PFV	208/230-1	9.5	9.5	14.8	7.5	7.5	1/2	3/4	POE	38	34
ZR24K3E-TF5	200/230-3	9.5	9.5	14.8	7.5	7.5	1/2	3/4	POE	38	34
ZR24K3E-TFD	460-3	9.5	9.5	14.8	7.5	7.5	1/2	3/4	POE	38	34
ZR26K3-PFV	208/230-1	9.5	9.5	14.8	7.5	7.5	1/2	3/4		38	34
ZR26KC-PFV	208/230-1	9.5	9.5	14.8	7.5	7.5	1/2	3/4		38	34
ZR26K1-PFV	208/230-1	9.4	9.4	14.3	7.5	7.5	1/2	3/4		26	22
ZR26K3-TF5	200/230-3	9.5	9.5	14.8	7.5	7.5	1/2	3/4		38	34
ZR26K3-TFD	460-3	9.5	9.5	14.8	7.5	7.5	1/2	3/4		38	34
ZR26K3E-PFV	208/230-1	9.5	9.5	14.8	7.5	7.5	1/2	3/4	POE	38	34

Compressor Data

“ZR” Compressors

Model	R134a				R22				R407C				
	App	RLA	BTUH	Watts Amps	App	RLA	BTUH	WattsAmps	App	RLA	BTUH	Watts Amps	
ZR26K3E-TF5									AC	8.6	26400	2470	7.3
ZR26K3E-TFD									AC	4.3	26400	2470	3.6
ZR28K3-PFV					AC	15.0	28500	2560	11.5				
ZR28KC-PFV					AC	15.7	28500	2620	12.0				
ZR28K1-PFV					AC	15.0	28200	2580	12.2				
AW*5526E					AC	10.0	26400	2480					
AW*5528E					AC	10.5	27800	2690					
AB5526EXD					AC		26600						
AB5527EXD					AC		27600						
AB5528EXD					AC		28400						
AW5526EXD					AC		26000						
AW5528EXD					AC		27500						
B02B					AC		26500						
SA*5527E					AC		27000						
SA5527EXD					AC		27000						
AH28Q13					AC		27100						
AH28Q13V					AC		27100						
AH5527EXD					AC		27100						
AH8532EXD					AC		28500						
H29B26UABC					AC	10.9	26470	2425					
H29B28UABC					AC	11.8	28215	2600					
H27B26QCBC					AC	10.4	27000	2370					
H27B28QCBC					AC	11.1	28500	2500					
H26B26QCBC					AC	10.7	27300	2424					
H26B28QCBC					AC	11.9	28700	2564					
H25B26QABC					AC	11.0	26900	2445					
H25B28QABC					AC	11.5	28300	2570					
H24B263ABC					AC	13.8	26750	2995					
H24B283ABC					AC	15.2	28300	3235					
H24B26QABC					AC	13.4	25800	2890					
H24B28QABC					AC	14.4	27350	3080					
H24B29QABC					AC	16	29000	3270					
H23B263ABC					AC	11.4	26600	2605					
H23B283ABC					AC	12.3	28500	2780					
H23B26QABC					AC	12.2	26300	2700					
H23B28QABC					AC	12.8	27800	2880					
H23B26SABC					AC	11.6	26700	2550					
H23B28SABC					AC	11.8	27700	2630					
H21B263ABC					AC	12.3	26100	2770					
H20B283ABC					AC	14.4	27350	3080					
H27A28QCBC					AC	10.7	28200	2410					
H23A263ABC					AC	11.4	26300	2550					
H23A283ABC					AC	12.4	27500	2680					
H23A303ABC					AC	13.0	29200	2870					
ZR28K3-TF5					AC	10.0	28500	2550	7.9				
AW5525EXT					AC		25000						
AW5526EXT					AC		26000						
AH28Q13					AC		27100						
AH5527EXT					AC		27100						
AH31T13					AC		27100						
AW*5528E					AC	7.6	28000	2690					

Compressor Data

Model	Volts/ Phase	Dimensions (inches)			Mounting (inches)		Connections (inches)		Oil Type	Oil Charge (ounces)	
		L	W	H	L	W	Disch	Suct		Initial	Recharge
ZR26K3E-TF5	200/230-3	9.5	9.5	14.8	7.5	7.5	1/2	3/4	POE	38	34
ZR26K3E-TFD	460-3	9.5	9.5	14.8	7.5	7.5	1/2	3/4	POE	38	34
ZR28K3-PFV	208/230-1	9.5	9.5	14.8	7.5	7.5	1/2	3/4		38	34
ZR28KC-PFV	208/230-1	9.5	9.5	14.8	7.5	7.5	1/2	3/4		38	34
ZR28K1-PFV	208/230-1	9.4	9.4	14.3	7.5	7.5	1/2	3/4		26	22
AW*5526E	208/230-1				7.5	7.5					
AW*5528E	208/230-1				7.5	7.5					
AB5526EXD				13.5	7.5	7.5	3/8	1/2			
AB5527EXD				13.5	7.5	7.5	3/8	1/2			
AB5528EXD				13.4	7.5	7.5	5/16	1/2			
AW5526EXD				12.8	7.5	7.5	3/8	1/2			
AW5528EXD				12.8	7.5	7.5	3/8	1/2			
B02B											
SA*5527E											
SA5527EXD											
AH28Q13				13.5	7.5	7.5	3/8	1/2			
AH28Q13V				13.5	7.5	7.5	3/8	1/2			
AH5527EXD				13.5	7.5	7.5	3/8	1/2			
AH8532EXD				14.6	7.5	7.5	3/8	3/4			
H29B26UABC	208/230-1			14.0			3/8	5/8		35	32
H29B28UABC	208/230-1			14.0			3/8	5/8		35	32
H27B26QCBC	208/230-1			15.3			1/2	3/4		35	32
H27B28QCBC	208/230-1			15.3			1/2	3/4		35	32
H26B26QCBC	208/230-1			15.0			3/8	3/4		35	32
H26B28QCBC	208/230-1			15.0			3/8	3/4		35	32
H25B26QABC	208/230-1			14.8			3/8	3/4		35	32
H25B28QABC	208/230-1			14.8			3/8	3/4		35	32
H24B263ABC	208/230-1			13.6			5/16	1/2		40	37
H24B283ABC	208/230-1			13.6			5/16	1/2		40	37
H24B26QABC	208/230-1			13.3			5/16	1/2		40	37
H24B28QABC	208/230-1			13.3			5/16	1/2		40	37
H24B29QABC	208/230-1			13.3			5/16	1/2		40	37
H23B263ABC	208/230-1			13.8			3/8	5/8		40	37
H23B283ABC	208/230-1			13.8			3/8	5/8		40	37
H23B26QABC	208/230-1			13.8			3/8	5/8		40	37
H23B28QABC	208/230-1			13.8			3/8	5/8		40	37
H23B26SABC	208/230-1			14.3			3/8	5/8		40	37
H23B28SABC	208/230-1			14.3			3/8	5/8		40	37
H21B263ABC	208/230-1			13.3			3/8	5/8		40	37
H20B283ABC	208/230-1			13.3			3/8	5/8		40	37
H27A28QCBC	208/230-1			16.5			5/8	7/8		65	62
H23A263ABC	208/230-1			14.7			3/8	3/4		50	47
H23A283ABC	208/230-1			14.7			3/8	3/4		50	47
H23A303ABC	208/230-1			14.7			3/8	3/4		50	47
ZR28K3-TF5	200/230-3	9.5	9.5	14.8	7.5	7.5	1/2	3/4		38	34
AW5525EXT											
AW5526EXT											
AH28Q13				14	7.5	7.5	3/8	1/2			
AH5527EXT				14	7.5	7.5	3/8	1/2			
AH31T13											
AW*5528E	200/230-3									32	

Compressor Data

“ZR” Compressors

Model	R134a				R22				R407C				
	App	RLA	BTUH	Watts Amps	App	RLA	BTUH	WattsAmps	App	RLA	BTUH	Watts Amps	
ZR28K3-TF5					AC 10.0		28500	2550	7.9				
AW5528EXT					AC		27700						
AB5528EXT					AC		28400						
AH8532EXT					AC		28500						
H29B26UDB					AC 7.8		26200	2430					
H29B28UDB					AC 7.8		28000	2580					
H25B28QDB					AC 7.8		28200	2565					
H23B283DB					AC 8		28100	2785					
H23B26QDB					AC 7.7		25700	2620					
H23B28QDB					AC 8.1		27500	2800					
H23A263DB					AC 7.4		26000	2570					
ZR28K3-TFD					AC 5.0		28500	2550	4.0				
ZR28KC-TFD					AC	5.0	28500	2550	3.9				
ZR28K3E-PFV										AC 15.0	28700	2730	12.2
ZR28K3E-TF5										AC 10.0	28900	2650	8.1
ZR28K3E-TFD	AC 5.0	19800	1910	3.3						AC 5.0	28900	2650	4.0
ZR30K3-PFV					AC 15.0		30500	2740	12.3				
ZR30KC-PFV					AC	16.4	30500	2800	12.8				
AW*5530E					AC	11.1	30200	2830					
AB5530EXD					AC		30000						
AW5530EXD					AC		29500						
AH31S13					AC		30000						
AH31S13V					AC		30000						
AH5530EXD					AC		30000						
CL26X12					AC		30000						
CL26Z12					AC		30000						
AH31T13					AC		31000						
AH31T13V					AC		31000						
AH5531EXD					AC		31000						
CL25X12					AC		31000						
AW5531EXD					AC		31000						
H29B30UABC					AC 12.4		29840	2725					
H27B30QCBC					AC 11.7		30600	2680					
H26B30QCBC					AC 12.1		30700	2724					
H25B30QABC					AC 12.5		30300	2775					
H24B31QABC					AC 16.3		30000	3420					
H23B303ABC					AC 13.3		30300	2990					
H23B30QABC					AC 13.3		30100	3100					
H23B30SABC					AC 13.2		30500	2915					
H26A32QCBC					AC 11.8		31200	2696					
H20C303ABC					AC 14.7		29800	2700					
ZR30K3-TF5					AC 10.7		30500	2720	8.3				
AW*5530E					AC	8.4	28900	2890					
AW5530EXT					AC		29500						
AB5530EXT					AC		30000						
AH31S13					AC		30000						
CL26X12					AC		30000						
AW*5532E					AC 8.6		31600	3090					
AW5531EXT					AC		31000						

Compressor Data

Model	Volts/ Phase	Dimensions (inches)			Mounting (inches)		Connections (inches)		Oil Type	Oil Charge (ounces)	
		L	W	H	L	W	Disch	Suct		Initial	Recharge
ZR28K3-TF5	200/230-3	9.5	9.5	14.8	7.5	7.5	1/2	3/4		38	34
<i>AW5528EXT</i>				13	7.5	7.5	3/8	3/4			
<i>AB5528EXT</i>				13	7.5	7.5	5/16	1/2			
<i>AH8532EXT</i>				15	7.5	7.5	3/8	3/4			
<i>H29B26UDB</i>	200/230-3			14.0			3/8	5/8		35	32
<i>H29B28UDB</i>	200/230-3			14.0			3/8	5/8		35	32
<i>H25B28QDB</i>	200/230-3			14.3			3/8	3/4		35	32
<i>H23B283DB</i>	200/230-3			13.8			3/8	5/8		40	37
<i>H23B26QDB</i>	200/230-3			13.8			3/8	5/8		40	37
<i>H23B28QDB</i>	200/230-3			13.8			3/8	5/8		40	37
<i>H23A263DB</i>	200/230-3			14.7			3/8	3/4		50	47
ZR28K3-TFD	460-3	9.5	9.5	14.8	7.5	7.5	1/2	3/4		38	34
<i>ZR28KC-TFD</i>	460-3	9.5	9.5	14.8	7.5	7.5	1/2	3/4		38	34
ZR28K3E-PFV	208/230-1	9.5	9.5	14.8	7.5	7.5	1/2	3/4	POE	38	34
ZR28K3E-TF5	200/230-3	9.5	9.5	14.8	7.5	7.5	1/2	3/4	POE	38	34
ZR28K3E-TFD	460-3	9.5	9.5	14.8	7.5	7.5	1/2	3/4	POE	38	34
ZR30K3-PFV	208/230-1	9.5	9.5	15.7	7.5	7.5	1/2	3/4		42	38
<i>ZR30KC-PFV</i>	208/230-1	9.5	9.5	15.7	7.5	7.5	1/2	3/4		42	38
<i>AW*5530E</i>	208/230-1										
<i>AB5530EXD</i>				13.4	7.5	7.5	5/16	1/2			
<i>AW5530EXD</i>				12.8	7.5	7.5	3/8	3/4			
<i>AH31S13</i>											
<i>AH31S13V</i>											
<i>AH5530EXD</i>				15.1	7.5	7.5	3/8	3/4			
<i>CL26X12</i>											
<i>CL26Z12</i>											
<i>AH31T13</i>											
<i>AH31T13V</i>											
<i>AH5531EXD</i>				15.1	7.5	7.5	3/8	3/4			
<i>CL25X12</i>											
<i>AW5531EXD</i>				12.8	7.5	7.5	3/8	3/4			
<i>H29B30UABC</i>	208/230-1			14.6			3/8	5/8		35	32
<i>H27B30QCBC</i>	208/230-1			15.3			1/2	3/4		35	32
<i>H26B30QCBC</i>	208/230-1			15.0			3/8	3/4		35	32
<i>H25B30QABC</i>	208/230-1			14.8			3/8	3/4		35	32
<i>H24B31QABC</i>	208/230-1			13.3			5/16	1/2		40	37
<i>H23B303ABC</i>	208/230-1			13.8			3/8	5/8		40	37
<i>H23B30QABC</i>	208/230-1			13.8			3/8	5/8		40	37
<i>H23B30SABC</i>	208/230-1			14.8			3/8	5/8		40	37
<i>H26A32QCBC</i>	208/230-1			16.7			1/2	7/8		65	62
<i>H20C303ABC</i>	208/230-1			15.4			1/2	3/4		36	34
ZR30K3-TF5	200/230-3	9.5	9.5	15.7	7.5	7.5	1/2	3/4		42	38
<i>AW*5530E</i>	200/230-3									32	
<i>AW5530EXT</i>				13	7.5	7.5	3/8	3/4			
<i>AB5530EXT</i>				13	7.5	7.5	5/16	1/2			
<i>AH31S13</i>											
<i>CL26X12</i>											
<i>AW*5532E</i>	200/230-3									32	
<i>AW5531EXT</i>				13	7.5	7.5	3/8	3/4			

Compressor Data

“ZR” Compressors

Model	R134a				R22				R407C					
	App	RLA	BTUH	Watts Amps	App	RLA	BTUH	WattsAmps	App	RLA	BTUH	Watts Amps		
ZR30K3-TF5					AC	10.7	30500	2720	8.3					
AW5532EXT					AC		31500							
AH31T13V					AC		31000							
AH5531EXT					AC		31000							
CL25X12					AC		31000							
H29B30UDBL					AC	8.5	30100	2750						
H25B30QDBL					AC	8.2	30000	2700						
H23B30QDBL					AC	9.3	30000	3100						
H26A32QDBL					AC	8.5	31200	2696						
H23A303DBL					AC	8.8	29200	2850						
ZR30K3-TFD					AC	5.0	30500	2720	4.1					
ZR30K3E-PFV										AC	15.0	30800	2890	13.0
ZR30K3E-TF5										AC	10.7	30800	2880	8.8
ZR30K3E-TFD										AC	5.0	30800	2880	4.4
ZR32K3-PFV					AC	16.4	32000	2880	13.2					
ZR32KC-PFV					AC	16.4								
AW*5532E					AC	12.0	31500	3000						
AW*5533E					AC	13.8	33300	3115						
AW5532EXD					AC		31200							
AH8538EXD					AC		32450							
AV5532EXD					AC		32000							
H29B32UABC					AC	13	31800	2920						
H29B33UABC					AC	13.5	32910	3015						
H27B32QCBC					AC	12.6	32900	2890						
H25B32QABC					AC	13.0	32200	2925						
H23B323ABC					AC	14.8	32000	3230						
H23B32QABC					AC	15.3	31800	3350						
H23B32SABC					AC	14.3	32400	3160						
H27A32QCBC					AC	11.8	31500	2670						
H25A32QCBC					AC	12	32000	2805						
H23A323ABC					AC	13.9	31700	3080						
H21A313ABC					AC	10	31600	3160						
ZR32K3-TF5					AC	10.7	32000	2860	8.7					
AH8538EXT					AC		31950							
AV5532EXT					AC		32000							
AV*5533E					AC	8.9	33300	3110						
AV5533EXT					AC		33000							
PJG300					AC		33000							
PJG301					AC		33000							
H29B32UDBL					AC	9	32200	2950						
H29B33UDBL					AC	9.5	33100	3050						
H25B32QDBL					AC	8.8	32000	2910						
H23B323DBL					AC	9.6	32150	3250						
H23B32QDBL					AC	9.6	31500	3300						
H23B35QDBL					AC	9.8	32700	3410						
H27A32QDBL					AC	8.8	31500	2670						
H25A32QDBL					AC	8.8	32000	2775						
H23A323DBL					AC	9.3	31700	3060						
H21A313DBL					AC	9.3	31600	3160						

Compressor Data

Model	Volts/ Phase	Dimensions (inches)			Mounting (inches)		Connections (inches)		Oil Type	Oil Charge (ounces)	
		L	W	H	L	W	Disch	Suct		Initial	Recharge
ZR30K3-TF5	200/230-3	9.5	9.5	15.7	7.5	7.5	1/2	3/4		42	38
AW5532EXT				13	7.5	7.5	3/8	3/4			
AH31T13V											
AH5531EXT				15	7.5	7.5	3/8	3/4			
CL25X12											
H29B30UDBL	200/230-3			14.6			3/8	5/8		35	32
H25B30QDBL	200/230-3			14.8			3/8	3/4		35	32
H23B30QDBL	200/230-3			13.8			3/8	5/8		40	37
H26A32QDBL	200/230-3			16.7			1/2	7/8		65	62
H23A303DBL	200/230-3			14.7			3/8	3/4		50	47
ZR30K3-TFD	460-3	9.5	9.5	15.7	7.5	7.5	1/2	3/4		42	38
ZR30K3E-PFV	208/230-1	9.5	9.5	15.7	7.5	7.5	1/2	3/4	POE	42	38
ZR30K3E-TF5	200/230-3	9.5	9.5	15.7	7.5	7.5	1/2	3/4	POE	42	38
ZR30K3E-TFD	460-3	9.5	9.5	15.7	7.5	7.5	1/2	3/4	POE	42	38
ZR32K3-PFV	208/230-1	9.5	9.5	15.7	7.5	7.5	1/2	3/4		42	38
ZR32KC-PFV		9.5	9.5	15.7	7.5	7.5	1/2	3/4		42	38
AW*5532E	208/230-1										
AW*5533E	208/230-1									32	
AW5532EXD				12.8	7.5	7.5	3/8	3/4			
AH8538EXD				14.5	7.5	7.5	3/8	3/4			
AV5532EXD				14.3	7.5	7.5	3/8	3/4			
H29B32UABC	208/230-1			14.6			3/8	5/8		35	32
H29B33UABC	208/230-1			14.6			3/8	5/8		35	32
H27B32QCBC	208/230-1			15.3			1/2	3/4		35	32
H25B32QABC	208/230-1			14.8			3/8	3/4		35	32
H23B323ABC	208/230-1			13.8			3/8	5/8		40	37
H23B32QABC	208/230-1			13.8			3/8	5/8		40	37
H23B32SABC	208/230-1			14.3			3/8	5/8		40	37
H27A32QCBC	208/230-1			16.5			5/8	7/8		65	62
H25A32QCBC	208/230-1			16.2			1/2	7/8		65	62
H23A323ABC	208/230-1			14.7			3/8	3/4		50	47
H21A313ABC	208/230-1			14.7			3/8	5/8		50	47
ZR32K3-TF5	200/230-3	9.5	9.5	15.7	7.5	7.5	1/2	3/4		42	38
AH8538EXT				15	7.5	7.5	3/8	3/4			
AV5532EXT				14	7.5	7.5	3/8	3/4			
AV*5533E	200/230-3									54	
AV5533EXT				14	7.5	7.5	3/8	3/4			
PJG300											
PJG301											
H29B32UDBL	200/230-3			14.6			3/8	5/8		35	32
H29B33UDBL	200/230-3			14.6			3/8	5/8		35	32
H25B32QDBL	200/230-3			14.8			3/8	3/4		35	32
H23B323DBL	200/230-3			14.3			3/8	5/8		40	37
H23B32QDBL	200/230-3			14.3			3/8	5/8		40	37
H23B35QDBL	200/230-3			14.3			3/8	5/8		40	37
H27A32QDBL	200/230-3			16.5			5/8	7/8		65	62
H25A32QDBL	200/230-3			16.2			1/2	7/8		65	62
H23A323DBL	200/230-3			14.7			3/8	3/4		50	47
H21A313DBL	200/230-3			14.7			3/8	3/4		50	47

Compressor Data

“ZR” Compressors

Model	R134a				R22				R407C				
	App	RLA	BTUH	Watts Amps	App	RLA	BTUH	WattsAmps	App	RLA	BTUH	Watts Amps	
ZR32K3-TFD					AC	5.4	32000	2860	4.4				
ZR32K3E-PFV										AC	16.4	32300	3030 13.6
ZR32K3E-TF5										AC	10.7	32300	2990 9.1
ZR32K3E-TFD										AC	5.4	32300	2990 4.5
ZR34K3-PFV					AC	17.9	34000	3030	13.7				
ZR34KC-PFV					AC	15.7	34000	3090	14.6				
ZR34K1-PFV					AC	20.0	33900	3030	13.9				
AV*5533E					AC	13.2	33500	2970					
SA*5534E					AC		34000						
SA5534EXD					AC		34000						
AH5533EXD					AC		33500						
AH34X13					AC		34400						
AH5534EXD					AC		34400						
AV5533EXD					AC		33000						
H29B35UABC					AC	14.4	35330	3230					
H27B35QCBC					AC	13.9	34900	3080					
H25B35QABC					AC	14.2	35000	3180					
H23B33SABC					AC	14.3	33500	3260					
H23B35SABC					AC	15.5	34800	3380					
H27A35QCBC					AC	13.2	35200	2960					
H26A35QCBC					AC	13.6	35000	3021					
H25A35QCBC					AC	13.6	34900	3050					
H23A353ABC					AC	15.9	34900	3440					
H23A35QABC					AC	16.3	34450	3460					
H21A343ABC					AC	16.8	34700	3490					
H20C343ABC					AC	16.7	33700	3080					
ZR34K3-TF5					AC	11.4	34000	2970	7.9				
AH5534EXT					AC		34400						
AH34X13					AC		34400						
SA*5534E					AC		34000						
SA5534EXT					AC		34000						
AV*5535E					AC	9.2	34500	3100					
AV5535EXT					AC		35200						
H29B35UDBL					AC	9.6	35100	3260					
H25B35QDBL					AC	9.2	34300	3120					
H27A35QDBL					AC	9.2	35200	2960					
H25A35QDBL					AC	9.7	35000	3021					
H25A35QDBL					AC	9.6	34900	3025					
H23A353DBL					AC	10.5	34900	3390					
H23A35QDBL					AC	9.8	35300	3390					
H21A343DBL					AC	10.5	34700	3490					
H20C343DBL					AC	10.6	33700	3030					
ZR34K3-TFD					AC	5.7	34000	2970	4.0				
ZR34KC-TFD					AC	5.7	34000	2980	4.6				
ZR34K3E-PFV										AC	17.9	34300	3210 14.4

Compressor Data

Model	Volts/ Phase	Dimensions (inches)			Mounting (inches)		Connections (inches)		Oil Type	Oil Charge (ounces)	
		L	W	H	L	W	Disch	Suct		Initial	Recharge
ZR32K3-TFD	460-3	9.5	9.5	15.7	7.5	7.5	1/2	3/4		42	38
ZR32K3E-PFV	208/230-1	9.5	9.5	15.7	7.5	7.5	1/2	3/4	POE	42	38
ZR32K3E-TF5	200/230-3	9.5	9.5	15.7	7.5	7.5	1/2	3/4	POE	42	38
ZR32K3E-TFD	460-3	9.5	9.5	15.7	7.5	7.5	1/2	3/4	POE	42	38
ZR34K3-PFV	208/230-1	9.5	9.5	15.7	7.5	7.5	1/2	3/4		42	38
ZR34KC-PFV	208/230-1	9.5	9.5	15.7	7.5	7.5	1/2	3/4		42	38
ZR34K1-PFV	208/230-1	9.4	9.4	15.2	7.5	7.5	1/2	3/4		32	28
AV*5533E	208/230-1									54	
SA*5534E											
SA5534EXD											
AH5533EXD				13.8	7.5	7.5	3/8	3/4			
AH34X13											
AH5534EXD				13.8	7.5	7.5	3/8	3/4			
AV5533EXD				14.0	7.5	7.5	3/8	3/4			
H29B35UABC	208/230-1			14.6			3/8	5/8		35	32
H27B35QCBC	208/230-1			15.3			1/2	3/4		35	32
H25B35QABC	208/230-1			15.0			3/8	3/4		40	37
H23B33SABC	208/230-1			14.8			3/8	5/8		40	37
H23B35SABC	208/230-1			14.8			3/8	5/8		40	37
H27A35QCBC	208/230-1			16.5			5/8	7/8		65	62
H26A35QCBC	208/230-1			16.7			1/2	7/8		65	62
H25A35QCBC	208/230-1			16.2			1/2	7/8		65	62
H23A353ABC	208/230-1			14.7			3/8	3/4		50	47
H23A35QABC	208/230-1			15.0			3/8	3/4		50	47
H21A343ABC	208/230-1			14.7			3/8	3/4		50	47
H20C343ABC	208/230-1			16.3			1/2	3/4		36	34
ZR34K3-TF5	200/230-3	9.5	9.5	15.7	7.5	7.5	1/2	3/4		42	38
AH5534EXT				14	7.5	7.5	3/8	3/4			
AH34X13											
SA*5534E											
SA5534EXT											
AV*5535E	200/230-3									54	
AV5535EXT				14.0	7.5	7.5	3/8	3/4			
H29B35UDBL	200/230-3			14.6			3/8	5/8		35	32
H25B35QDBL	200/230-3			15.0			3/8	3/4		40	37
H27A35QDBL	200/230-3			16.5			5/8	7/8		65	62
H25A35QDBL	200/230-3			16.7			1/2	7/8		65	62
H25A35QDBL	200/230-3			16.2			1/2	7/8		65	62
H23A353DBL	200/230-3			14.7			3/8	3/4		50	47
H23A35QDBL	200/230-3			15.0			3/8	3/4		50	47
H21A343DBL	200/230-3			14.7			3/8	3/4		50	47
H20C343DBL	200/230-3			15.4			1/2	3/4		36	34
ZR34K3-TFD	460-3	9.5	9.5	15.7	7.5	7.5	1/2	3/4		42	38
ZR34KC-TFD	460-3	9.5	9.5	15.7	7.5	7.5	1/2	3/4		42	38
ZR34K3E-PFV	208/230-1	9.5	9.5	15.7	7.5	7.5	1/2	3/4	POE	42	38

Compressor Data

“ZR” Compressors

Model	R134a				R22				R407C					
	App	RLA	BTUH	Watts Amps	App	RLA	BTUH	WattsAmps	App	RLA	BTUH	Watts Amps		
ZR34K3E-TF5									AC	11.4	34800	3160	9.6	
ZR34K3E-TFD	AC	5.7	23300	2250	3.9				AC	5.7	34800	3160	4.8	
ZR36K3-PFV					AC	18.4	36500	3260	14.9					
ZR36KC-PFV					AC	17.9	36500	3320	15.9					
AV*5535E					AC	13.8	35000	3135						
AV5535EXD					AC		35200							
SA*5536E					AC		36000							
SA5536EXD					AC		36000							
AH8539EXD					AC		35400							
AH8543EXD					AC		36380							
JE300					AC		35000							
AV*5538E					AC	15.1	38000	3420						
AV5538EXD					AC		37500							
CL30Y14					AC		38000							
CL31Y14					AC		38000							
CL5538EXD					AC		38000							
JE301					AC		37500							
PJE300					AC		37500							
PJE301					AC		37500							
H26A38QCBC					AC	14.4	38200	3260						
H25A38QCBC					AC	14.7	37900	3315						
H23A383ABC					AC	17	37900	3690						
H23A36QABC					AC	17.5	37750	3780						
H21A373ABC					AC	18.3	37400	3740						
H20C373ABC					AC	18	36700	3350						
ZR36K3-TF5					AC	11.4	36500	3200	9.7					
JE300					AC		35000							
JE301					AC		35000							
AV*5538E					AC	10.3	37500	3420						
AV5538EXT					AC		37500							
AH8543EXT					AC		35890							
SA*5536E					AC		36000							
SA5536EXT					AC		35000							
PJE300					AC		37500							
PJE301					AC		37500							
CL30Y14					AC		38000							
CL31Y14					AC		38000							
CL5538EXT					AC		38000							
H27A38QDBL					AC	10.1	38400	3200						
H26A38QDBL					AC	10.2	38200	3260						
H25A38QDBL					AC	10.3	37900	3285						
H23A323DBL					AC	11.5	37900	3650						
H23A38QDBL					AC	10.7	38000	3650						
H21A373DBL					AC	11.5	37400	3740						
H20C373DBL					AC	11.4	36400	3040						
ZR36K3-TFD					AC	5.7	36500	3200	4.9					
ZR36KC-TFD					AC	5.7	36500	3200	4.9					
ZR36K3E-PFV										AC	18.4	36900	3420	15.6

Compressor Data

Model	Volts/ Phase	Dimensions (inches)			Mounting (inches)		Connections (inches)		Oil Type	Oil Charge (ounces)	
		L	W	H	L	W	Disch	Suct		Initial	Recharge
ZR34K3E-TF5	200/230-3	9.5	9.5	15.7	7.5	7.5	1/2	3/4	POE	42	38
ZR34K3E-TFD	460-3	9.5	9.5	15.7	7.5	7.5	1/2	3/4	POE	42	38
ZR36K3-PFV	208/230-1	9.5	9.5	15.7	7.5	7.5	1/2	3/4		42	38
ZR36KC-PFV	208/230-1	9.5	9.5	15.7	7.5	7.5	1/2	3/4		42	38
AV*5535E	208/230-1										
AV5535EXD				14.0	7.5	7.5	3/8	3/4			
SA*5536E											
SA5536EXD											
AH8539EXD				14.5	7.5	7.5	3/8	3/4			
AH8543EXD				14.5	7.5	7.5	3/8	7/8			
JE300											
AV*5538E	208/230-1									54	
AV5538EXD				14.6	7.5	7.5	1/2	7/8			
CL30Y14				15.4	7.5	7.5	3/8	7/8			
CL31Y14				15.4	7.5	7.5	3/8	7/8			
CL5538EXD											
JE301											
PJE300											
PJE301											
H26A38QCBC	208/230-1			16.7			1/2	7/8		65	62
H25A38QCBC	208/230-1			16.2			1/2	7/8		65	62
H23A383ABC	208/230-1			14.7			3/8	3/4		50	47
H23A36QABC	208/230-1			15.0			3/8	3/4		50	47
H21A373ABC	208/230-1			14.7			3/8	3/4		50	47
H20C373ABC	208/230-1			16.3			1/2	3/4		36	34
ZR36K3-TF5	200/230-3	9.5	9.5	15.7	7.5	7.5	1/2	3/4		42	38
JE300											
JE301											
AV*5538E										54	
AV5538EXT				15	7.5	7.5	1/2	7/8			
AH8543EXT				15	7.5	7.5	3/8	7/8			
SA*5536E											
SA5536EXT											
PJE300											
PJE301											
CL30Y14											
CL31Y14				15	7.5	7.5	3/8	7/8			
CL5538EXT											
H27A38QDBL	200/230-3			16.5			5/8	7/8		65	62
H26A38QDBL	200/230-3			16.7			1/2	7/8		65	62
H25A38QDBL	200/230-3			16.2			1/2	7/8		65	62
H23A323DBL	200/230-3			15.3			3/8	3/4		50	47
H23A38QDBL	200/230-3			15.0			3/8	3/4		50	47
H21A373DBL	200/230-3			14.7			3/8	3/4		50	47
H20C373DBL	200/230-3			15.4			1/2	3/4		36	34
ZR36K3-TFD	460-3	9.5	9.5	15.7	7.5	7.5	1/2	3/4		42	38
ZR36KC-TFD	460-3	9.5	9.5	15.7	7.5	7.5	1/2	3/4		42	38
ZR36K3E-PFV	208/230-1	9.5	9.5	15.7	7.5	7.5	1/2	3/4	POE	42	38

Compressor Data

“ZR” Compressors

Model	R134a				R22				R407C					
	App	RLA	BTUH	Watts Amps	App	RLA	BTUH	WattsAmps	App	RLA	BTUH	Watts Amps		
ZR36K3E-TF5									AC	11.4	36800	3340	10.0	
ZR36K3E-TFD									AC	5.7	36800	3340	5.0	
ZR40K3-PFV					AC	20.0	40000	3570	16.5					
ZR40KC-PFV					AC	20.0	40000	3640	17.0					
ZR40K1-PFV					AC	22.0	39600	3540	17.4					
AV*5540E					AC	16.2	40600	3650						
AV*5542E					AC	16.9	42000	3820						
SA*5540E					AC		39500							
SA5540EXD					AC		39500							
AH40X15					AC		40000							
AH5540EXD					AC		40000							
CL32ZA14					AC		40000							
CL5540EXD					AC		40000							
AV5540EXD					AC		40600							
AH8548EXD					AC		41790							
AV5542EXD					AC		41500							
H27A38QCBC					AC	14.7	38400	3230						
H24A383ABC					AC	16	39000	3610						
H20C403ABC					AC	19.9	39700	3520						
ZR40K3-TF5					AC	13.9	40000	3500	10.7					
AV*5540E					AC	10.0	40200	3600						
AV5540EXT					AC		40600							
AV*5542E					AC	11.3	41500	3770						
AV5542EXT					AC		41500							
AH40X15					AC		40000							
AH5540EXT					AC		40000							
AH8548EXT					AC		41790							
CL32ZA14					AC		40000							
CL5540EXT					AC		40000							
SA*5540E					AC		39500							
SA5540EXT					AC		39500							
H24A383DBL					AC	11	39000	3490						
H20C403DBL					AC	12.4	39600	3580						
ZR40K3-TFD					AC	6.4	40000	3500	5.3					
ZR40KC-TFD					AC	6.4	40000	3510	5.3					
ZR40K3E-PFV										AC	20.0	40500	3740	17.2
ZR40K3E-TF5										AC	13.9	40500	3670	11.1
ZR40K3E-TFD	AC	6.4	26900	2580	4.1					AC	6.4	40500	3670	5.5
ZR42K3-PFV					AC	20.4	42000	3750	17.2					
ZR42KC-PFV					AC	20.7	42000	3820	19.7					
AV5543EXD					AC		43000							
CL36ZC14					AC		44000							
CL5544EXD					AC		44000							
H27A42QCBC					AC	15.4	42600	3550						
H26A42QCCB					AC	15.8	41500	3554						
H25A42QCCB					AC	16.4	41800	3655						

Compressor Data

Model	Volts/ Phase	Dimensions (inches)			Mounting (inches)		Connections (inches)		Oil Type	Oil Charge (ounces)	
		L	W	H	L	W	Disch	Suct		Initial	Recharge
ZR36K3E-TF5	200/230-3	9.5	9.5	15.7	7.5	7.5	1/2	3/4	POE	42	38
ZR36K3E-TFD	460-3	9.5	9.5	15.7	7.5	7.5	1/2	3/4	POE	42	38
ZR40K3-PFV	208/230-1	9.5	9.5	16.2	7.5	7.5	1/2	3/4		42	38
ZR40KC-PFV	208/230-1	9.5	9.5	16.2	7.5	7.5	1/2	3/4		42	38
ZR40K1-PFV	208/230-1	9.6	9.6	15.7	7.5	7.5	1/2	3/4		38	34
AV*5540E	208/230-1									54	
AV*5542E	208/230-1									54	
SA*5540E											
SA5540EXD											
AH40X15				15.0	7.5	7.5	3/8	3/4			
AH5540EXD				15.0	7.5	7.5	3/8	3/4			
CL32ZA14											
CL5540EXD											
AV5540EXD				14.0	7.5	7.5	1/2	7/8			
AH8548EXD				14.5	7.5	7.5	3/8	7/8			
AV5542EXD				14.0	7.5	7.5	1/2	7/8			
H27A38QCBC	208/230-1			16.5			5/8	7/8		65	62
H24A383ABC	208/230-1			16.2			3/8	3/4		50	47
H20C403ABC	208/230-1			16.3			1/2	3/4		36	34
ZR40K3-TF5	200/230-3	9.5	9.5	16.2	7.5	7.5	1/2	3/4		42	38
AV*5540E	200/230-3									54	
AV5540EXT				14.0	7.5	7.5	1/2	7/8			
AV*5542E	200/230-3									54	
AV5542EXT				14.0	7.5	7.5	1/2	7/8			
AH40X15				15.0	7.5	7.5	3/8	3/4			
AH5540EXT				15.0	7.5	7.5	3/8	3/4			
AH8548EXT				15	7.5	7.5	3/8	7/8			
CL32ZA14											
CL5540EXT											
SA*5540E											
SA5540EXT											
H24A383DBL	200/230-3			16.2			3/8	3/4		50	47
H20C403DBL	200/230-3			15.4			1/2	3/4		36	34
ZR40K3-TFD	460-3	9.5	9.5	16.2	7.5	7.5	1/2	3/4		42	38
ZR40KC-TFD	460-3	9.5	9.5	16.2	7.5	7.5	1/2	3/4		42	38
ZR40K3E-PFV	208/230-1	9.5	9.5	16.2	7.5	7.5	1/2	3/4	POE	42	38
ZR40K3E-TF5	200/230-3	9.5	9.5	16.2	7.5	7.5	1/2	3/4	POE	42	38
ZR40K3E-TFD	460-3	9.5	9.5	16.2	7.5	7.5	1/2	3/4	POE	42	38
ZR42K3-PFV	208/230-1	9.5	9.5	16.2	7.5	7.5	1/2	3/4		42	38
ZR42KC-PFV	208/230-1	9.5	9.5	16.2	7.5	7.5	1/2	3/4		42	38
AV5543EXD				14.0	7.5	7.5	1/2	7/8			
CL36ZC14				16.3	7.5	7.5	1/2	7/8			
CL5544EXD											
H27A42QCBC	208/230-1			17.7			5/8	7/8		65	62
H26A42QCCB	208/230-1			16.7			1/2	7/8		65	62
H25A42QCCB	208/230-1			17.4			1/2	7/8		65	62

Compressor Data

“ZR” Compressors

Model	R134a				R22				R407C			
	App	RLA	BTUH	Watts Amps	App	RLA	BTUH	WattsAmps	App	RLA	BTUH	Watts Amps
ZR42K3-PFV					AC 20.4		42000	3750	17.2			
H24A423ABC					AC 18		43000	3950				
H23A423ABC					AC 18.7		42100	4060				
H23A42QACB					AC 19.7		42270	4225				
H21A413ABC					AC 19.3		41200	4120				
H20C423ABC					AC 20.5		41700	3800				
ZR42K3-TF5					AC 13.9		42000	3680	11.1			
AV*5545E					11.5	44800	4060					
AV5545EXT							45400					
CL36ZC14							44000					
CL5544EXT							44000					
H27A42QDBL					AC 11.2		42600	3550				
H26A42QDBL					AC 11.3		41500	3554				
H25A42QDBL					AC 11.9		41800	3620				
H24A423DBL					AC 11.4		43000	3900				
H23A423DBL					AC 11.7		42100	4040				
H23A42QDBL					AC 11.7		42520	4090				
H21A413DBL					AC 11.7		41200	4120				
H20C423DBL					AC 12.4		41300	3650				
ZR42K3-TFD					AC 7.1		42000	3680	5.5			
ZR42KC-TFD					AC 7.1		42000	3680	5.5			
ZR42K3E-PFV										AC 20.4	42500	3940 18.4
ZR42K3E-TF5										AC 13.9	42400	3860 11.4
ZR42K3E-TFD										AC 7.1	42400	3860 5.7
ZR45KC-PFV					AC 24.3		45500	4140	20.9			
ZR45KC-TF5					AC 14.3		45500	4060	12.1			
ZR45KC-TFD					AC 7.2		45500	4060	6.0			
ZR46K3-PFV					AC 26.4		46100	4130	18.8			
AV*5545E					AC 18.2		45400	4110				
AV*5548E					AC 19.2		47700	4320				
AG5546EXD					AC		46800					
SA*5545E					AC		45000					
SA5545EXD					AC		45000					
H27A46QCBC					AC 17.4		46500	3910				
H26A46QCBC					AC 17.6		46300	3972				
H25A46QCBC					AC 18		46100	4030				
H23A463ABC					AC 21.6		46300	4490				
H23A46QABC					AC 21.5		46330	4675				
H21A453ABC					AC 21.6		45600	4585				
H20R453ABC					AC 21.8		44600	3940				
H20R483ABC					AC 24.4		47500	4200				
H21R453ABC					AC 23.4		44800	3950				
H21R483CBC					AC 24.4		48500	4250				

Compressor Data

Model	Volts/ Phase	Dimensions (inches)			Mounting (inches)		Connections (inches)		Oil Type	Oil Charge (ounces)	
		L	W	H	L	W	Disch	Suct		Initial	Recharge
ZR42K3-PFV	208/230-1	9.5	9.5	16.2	7.5	7.5	1/2	3/4		42	38
H24A423ABC	208/230-1			16.2			3/8	3/4		50	47
H23A423ABC	208/230-1			14.7			3/8	3/4		50	47
H23A42QACB	208/230-1			15.0			3/8	3/4		50	47
H21A413ABC	208/230-1			14.7			3/8	3/4		50	47
H20C423ABC	208/230-1			16.3			1/2	3/4		36	34
ZR42K3-TF5	200/230-3	9.5	9.5	16.2	7.5	7.5	1/2	3/4		42	38
AV*5545E	200/230-3									54	
AV5545EXT				14.0	7.5	7.5	1/2	7/8			
CL36ZC14				16	7.5	7.5	1/2	7/8			
CL5544EXT											
H27A42QDBL	200/230-3			17.7			5/8	7/8		65	62
H26A42QDBL	200/230-3			16.7			1/2	7/8		65	62
H25A42QDBL	200/230-3			16.2			1/2	7/8		65	62
H24A423DBL	200/230-3			16.2			3/8	3/4		50	47
H23A423DBL	200/230-3			15.3			3/8	3/4		50	47
H23A42QDBL	200/230-3			15.0			3/8	3/4		50	47
H21A413DBL	200/230-3			14.7			3/8	3/4		50	47
H20C423DBL	200/230-3			15.4			1/2	3/4		36	34
ZR42K3-TFD	460-3	9.5	9.5	16.2	7.5	7.5	1/2	3/4		42	38
ZR42KC-TFD	460-3	9.5	9.5	14.8	7.5	7.5	1/2	3/4		38	34
ZR42K3E-PFV	208/230-1	9.5	9.5	16.2	7.5	7.5	1/2	3/4	POE	42	38
ZR42K3E-TF5	200/230-3	9.5	9.5	16.2	7.5	7.5	1/2	3/4	POE	42	38
ZR42K3E-TFD	460-3	9.5	9.5	16.2	7.5	7.5	1/2	3/4	POE	42	38
ZR45KC-PFV	208/230-1	9.5	9.5	16.9	7.5	7.5	1/2	7/8		42	38
ZR45KC-TF5	200/230-3	9.5	9.5	16.9	7.5	7.5	1/2	7/8		46	42
ZR45KC-TFD	460-3	9.5	9.5	16.9	7.5	7.5	1/2	7/8		46	42
ZR46K3-PFV	208/230-1	9.5	9.7	17.7	7.5	7.5	1/2	7/8		66	62
AV*5545E	208/230-1										
AV*5548E	208/230-1										
AG5546EXD				15.5	7.5	7.5	1/2	7/8			
SA*5545E											
SA5545EXD											
H27A46QCBC	208/230-1			17.7			5/8	7/8		65	62
H26A46QCBC	208/230-1			16.7			1/2	7/8		65	62
H25A46QCBC	208/230-1			17.4			1/2	7/8		65	62
H23A463ABC	208/230-1			16.2			3/8	3/4		55	52
H23A46QABC	208/230-1			15.0			3/8	3/4		50	47
H21A453ABC	208/230-1			14.7			3/8	3/4		50	47
H20R453ABC	208/230-1			17.7			1/2	3/4		54	52
H20R483ABC	208/230-1			17.7			1/2	3/4		54	52
H21R453ABC	208/230-1			18.3			1/2	7/8		65	62
H21R483CBC	208/230-1			18.3			1/2	7/8		65	62

Compressor Data

“ZR” Compressors

Model	R134a				R22				R407C			
	App	RLA	BTUH	Watts Amps	App	RLA	BTUH	WattsAmps	App	RLA	BTUH	Watts Amps
ZR46K3-TF5					AC	15.0	46100	4100	11.8			
ZR46KC-TF5					AC	15.0	46100	4110	12.4			
AV*5548E					AC	12.3	47000	4300				
AV5546EXT					AC		46500					
AV5548EXT					AC		47700					
SA*5545E					AC		45000					
SA5545EXT					AC		45000					
H27A46QDBL					AC	12.3	46500	3910				
H26A46QDBL					AC	12.6	46300	3972				
H25A46QDBL					AC	12.6	46100	3995				
H23A463DBL					AC	12.6	46300	4430				
H23A46QDBL					AC	13	45450	4560				
H21A463DBL					AC	13.6	45600	4585				
H20R453DBL					AC	12.8	44500	3890				
H20R483DBL					AC	14.1	47500	4150				
H21R453DBL					AC	13	43900	3920				
H21R483DBL					AC	14.1	46900	4300				
ZR46K3-TFD					AC	8.2	46100	4100	5.9			
ZR46KC-TFD					AC	7.5	46100	4110	6.2			
ZR46KCE-TF5										AC	16.0	TBD
ZR47K3-PFV					AC	21.4	47500	4200	18.2			
ZR47KC-PFV					AC	24.3	47000	4270	21.1			
AG*5546E					AC		46800					
AV5548EXD					AC		47700					
ZR47K3-TF5					AC	16.4	47000	4200	13.1			
ZR47KC-TF5					AC	14.3	47500	4240	13.1			
ZR47K3-TFD					AC	7.8	47000	4200	6.0			
ZR47KC-TFD					AC	7.2	47500	4240	6.5			
ZR47K3E-PFV										AC	21.4	TBD
ZR47K3E-TF5										AC	16.4	TBD
ZR47KCE-TF5										AC	14.3	TBD
ZR47K3E-TFD										AC	7.8	TBD
ZR47KCE-TFD										AC	7.2	TBD
ZR48K3-PFV					AC	22.1	49100	4350	20.7			
ZR48KC-PFV					AC	23.6	49100	4460	21.5			
ZR48K3-TF5					AC	16.4	49100	4340	12.7			
ZR48KC-TF5					AC	16.4	49100	4380	12.7			
ZR48K3-TFD					AC	7.8	49100	4340	6.5			
ZR48KC-TFD					AC	7.8	49100	4380	6.5			
ZR48K3E-PFV										AC	22.1	TBD
ZR48KCE-PFV										AC	23.6	TBD

TBD - To Be Determined

Compressor Data

Model	Volts/ Phase	Dimensions (inches)			Mounting (inches)		Connections (inches)		Oil Type	Oil Charge (ounces)		
		L	W	H	L	W	Disch	Suct		Initial	Recharge	
ZR46K3-TF5	200/230-3	9.5	9.7	17.7	7.5	7.5	1/2	7/8		66	62	
ZR46KC-TF5	200/230-3	9.5	9.7	17.7	7.5	7.5	1/2	7/8		66	62	
AV*5548E	200/230-3									54		
AV5546EXT				14.0	7.5	7.5	1/2	7/8				
AV5548EXT				14.0	7.5	7.5	1/2	7/8				
SA*5545E												
SA5545EXT												
H27A46QDBL	200/230-3			17.7			5/8	7/8		65	62	
H26A46QDBL	200/230-3			16.7			1/2	7/8		65	62	
H25A46QDBL	200/230-3			16.2			1/2	7/8		65	62	
H23A463DBL	200/230-3			15.3			3/8	3/4		55	52	
H23A46QDBL	200/230-3			15.0			3/8	3/4		55	52	
H21A463DBL	200/230-3			14.7			1/2	7/8		50	47	
H20R453DBL	200/230-3			17.7			1/2	3/4		70	68	
H20R483DBL	200/230-3			17.7			1/2	3/4		70	68	
H21R453DBL	200/230-3			18.3			1/2	7/8		70	68	
H21R483DBL	200/230-3			18.3			1/2	7/8		70	68	
ZR46K3-TFD	460-3	9.5	9.7	17.7	7.5	7.5	1/2	7/8		66	62	
ZR46KC-TFD	460-3	9.5	9.7	17.7	7.5	7.5	1/2	7/8		66	62	
ZR46KCE-TF5	200/230-3	9.5	9.7	17.7	7.5	7.5	1/2	7/8	POE	66	62	
ZR47K3-PFV	208/230-1	9.5	9.5	16.9	7.5	7.5	1/2	7/8		42	38	
ZR47KC-PFV	208/230-1	9.5	9.5	16.9	7.5	7.5	1/2	7/8		42	38	
AG*5546E												
AV5548EXD												
ZR47K3-TF5	200/230-3	9.5	9.5	16.9	7.5	7.5	1/2	7/8		46	42	
ZR47KC-TF5	200/230-3	9.5	9.5	16.9	7.5	7.5	1/2	7/8		46	42	
ZR47K3-TFD	460-3	9.5	9.5	16.9	7.5	7.5	1/2	7/8		46	42	
ZR47KC-TFD	460-3	9.5	9.5	16.9	7.5	7.5	1/2	7/8		46	42	
ZR47K3E-PFV			9.5	9.5	16.9	7.5	7.5	1/2	7/8	POE	42	38
ZR47K3E-TF5			9.5	9.5	16.9	7.5	7.5	1/2	7/8	POE	46	42
ZR47KCE-TF5		9.5	9.5	16.9	7.5	7.5	1/2	7/8	POE	46	42	
ZR47K3E-TFD			9.5	9.5	16.9	7.5	7.5	1/2	7/8	POE	46	42
ZR47KCE-TFD		9.5	9.5	16.9	7.5	7.5	1/2	7/8	POE	46	42	
ZR48K3-PFV	208/230-1	9.5	9.5	16.9	7.5	7.5	1/2	7/8		42	38	
ZR48KC-PFV	208/230-1	9.5	9.5	16.9	7.5	7.5	1/2	7/8		42	38	
ZR48K3-TF5	200/230-3	9.5	9.5	16.9	7.5	7.5	1/2	7/8		46	42	
ZR48KC-TF5	200/230-3	9.5	9.5	16.9	7.5	7.5	1/2	7/8		46	42	
ZR48K3-TFD	460-3	9.5	9.5	16.9	7.5	7.5	1/2	7/8		46	42	
ZR48KC-TFD	460-3	9.5	9.5	16.9	7.5	7.5	1/2	7/8		46	42	
ZR48K3E-PFV	208/230-1	9.5	9.5	16.9	7.5	7.5	1/2	7/8	POE	42	38	
ZR48KCE-PFV		9.5	9.5	16.9	7.5	7.5	1/2	7/8	POE	42	38	

Compressor Data

“ZR” Compressors

Model	R134a				R22				R407C						
	App	RLA	BTUH	Watts	Amps	App	RLA	BTUH	Watts	Amps	App	RLA	BTUH	Watts	Amps
ZR48K3E-TF5 ZR48KCE-TF5											AC	16.4	TBD		
											AC	16.4	TBD		
ZR48K3E-TFD ZR48KCE-TFD	AC	7.8	32500	3090	5.0						AC	7.8	TBD		
											AC	7.8	TBD		
ZR49K3-PFV ZR49KC-PFV						AC	26.4	49200	4410	20.1					
AV*5549E						AC	25.0	49500	4510	22.9					
SA*5549E						AC	20.5	49000	4570						
SA5549EXD						AC		48500							
CL41ZA17						AC		48500							
CL5550EXD						AC		50000							
AV5545EXD						AC		50000							
AV5546EXD						AC		45400							
AV5549EXD						AC		47000							
CL40ZA17						AC		48000							
PFB400						AC		51000							
PFB403						AC		51000							
FE400						AC		51000							
H27A50QCBC						AC	18	49200	4170						
H26A50QCBC						AC	18.5	48700	4207						
H25A50QCBC						AC	19	49000	4285						
H23A503ABC						AC	22.3	49000	4890						
H23A50QABC						AC	22.8	50700	5050						
H20R513ABC						AC	24.4	50000	4420						
ZR49K3-TF5 ZR49KC-TF5						AC	15.0	49200	4360	12.6					
SA*5549E						AC	15.0	49100	4330	13.0					
SA5549EXT						AC		48500							
AG*5546E						AC		48500							
AG5546EXT						AC		46000							
AV*5549E						AC		46800							
AV5549EXT						AC	13.5	48000	4550						
AV5550EXT						AC		48000							
CL41ZA17						AC		50000							
CL5550EXT						AC		50000							
CL40ZA17						AC		50000							
PFB400						AC		51000							
PFB403						AC		51000							
FE400						AC		51000							
AG5553EXT						AC		51000							
H27A50QDBL						AC	13	49200	4170						
H26A50QDBL						AC	13.2	48700	4207						
H25A50QDBL						AC	13	49000	4245						
H23A503DBL						AC	13.7	49000	4890						
H23A50QDBL						AC	14.3	49800	4935						
H21R513DBL						AC	15.4	49600	4440						
ZR49K3-TFD ZR49KC-TFD						AC	8.2	49200	4360	6.3					
						AC	7.5	49100	4330	6.5					

TBD - To Be Determined

Compressor Data

Model	Volts/ Phase	Dimensions (inches)			Mounting (inches)		Connections (inches)		Oil Type	Oil Charge (ounces)	
		L	W	H	L	W	Disch	Suct		Initial	Recharge
ZR48K3E-TF5 ZR48KCE-TF5	200/230-3	9.5	9.5	16.9	7.5	7.5	1/2	7/8	POE	46	42
		9.5	9.5	16.9	7.5	7.5	1/2	7/8	POE	46	42
ZR48K3E-TFD ZR48KCE-TFD	460-3	9.5	9.5	16.9	7.5	7.5	1/2	7/8	POE	46	42
		9.5	9.5	16.9	7.5	7.5	1/2	7/8	POE	46	42
ZR49K3-PFV ZR49KC-PFV	208/230-1	9.5	9.7	17.7	7.5	7.5	1/2	7/8		66	62
AV*5549E	208/230-1	9.5	9.7	17.7	7.5	7.5	1/2	7/8		66	62
SA*5549E	208/230-1										
SA5549EXD											
CL41ZA17				16.3	7.5	7.5	1/2	7/8			
CL5550EXD				16.3	7.5	7.5	1/2	7/8			
AV5545EXD				14.0	7.5	7.5	1/2	7/8			
AV5546EXD				14.0	7.5	7.5	1/2	7/8			
AV5549EXD											
CL40ZA17											
PFB400							1/2	1 1/8			
PFB403							1/2	1 1/8			
FE400											
H27A50QCBC	208/230-1			17.7			5/8	7/8		65	62
H26A50QCBC	208/230-1			18.0			1/2	7/8		65	62
H25A50QCBC	208/230-1			17.4			1/2	7/8		65	62
H23A503ABC	208/230-1			16.2			3/8	3/4		55	52
H23A50QABC	208/230-1			16.5			3/8	3/4		50	47
H20R513ABC	208/230-1			17.7			1/2	3/4		54	52
ZR49K3-TF5 ZR49KC-TF5	200/230-3	9.5	9.7	17.7	7.5	7.5	1/2	7/8		66	62
SA*5549E	200/230-3	9.5	9.7	17.7	7.5	7.5	1/2	7/8		66	62
SA5549EXT											
AG*5546E											
AG5546EXT				16	7.5	7.5	1/2	7/8			
AV*5549E	200/230-3									54	
AV5549EXT				14.0	7.5	7.5	1/2	7/8			
AV5550EXT				14.0	7.5	7.5	1/2	7/8			
CL41ZA17				16	7.5	7.5	1/2	7/8			
CL5550EXT				16	7.5	7.5	1/2	7/8			
CL40ZA17				16	7.5	7.5	1/2	7/8			
PFB400							1/2	7/8			
PFB403							1/2	7/8			
FE400							1/2	7/8			
AG5553EXT				16.0	7.5	7.5	1/2	7/8			
H27A50QDBL	200/230-3			17.7			5/8	7/8		65	62
H26A50QDBL	200/230-3			18.0			1/2	7/8		65	62
H25A50QDBL	200/230-3			17.4			1/2	7/8		65	62
H23A503DBL	200/230-3			16.8			3/8	3/4		55	52
H23A50QDBL	200/230-3			16.5			3/8	3/4		55	52
H21R513DBL	200/230-3			18.3			1/2	7/8		70	68
ZR49K3-TFD ZR49KC-TFD	460-3	9.5	9.7	17.7	7.5	7.5	1/2	7/8		66	62
	460-3	9.5	9.7	17.7	7.5	7.5	1/2	7/8		66	62

Compressor Data

“ZR” Compressors

Model	R134a				R22				R407C			
	App	RLA	BTUH	Watts Amps	App	RLA	BTUH	WattsAmps	App	RLA	BTUH	Watts Amps
ZR49KCE-PFV									AC	25.0	49000	4660 22.0
ZR49KCE-TF5									AC	15.0	49600	4590 13.3
ZR49K3E-TFD									AC	8.2		
ZR49KCE-TFD	AC	7.5	34000	3070 5.0					AC	7.5	49600	4590 6.6
ZR54K3-PFV					AC	28.0	54200	4800 21.9				
ZR54KC-PFV					AC	28.6	53900	4900 25.0				
AG*5553E					AC		54000					
AG5553EXD					AC		54000					
SA*5554E					AC		54000					
SA5554EXD					AC		54000					
SF*5554E					AC		54000					
SF5554EXD					AC		54000					
AV5555EXD					AC		55000					
H27A54QCBC					AC	20.3	53500	4570				
H25A54QCBC					AC	20.7	53500	4675				
H23A543ABC					AC	24.4	53400	5360				
H23A54QABC					AC	25.1	54600	5520				
H23A56QABC					AC	25.5	54580	5570				
ZR54K3-TF5					AC	19.3	54200	4700 13.9				
ZR54KC-TF5					AC	16.4	53500	4740 14.8				
AV5555EXT					AC		55000					
SA*5554E					AC		54000					
SA5554EXT					AC		54000					
SF*5554E					AC		54000					
SF5554EXT					AC		54000					
AG*5553E					AC		54000					
AG5553EXT					AC		54000					
H27A54QDBL					AC	14.3	53500	4570				
H26A54QDBL					AC	14.7	52900	4604				
H25A563DBL					AC	14.5	55600	4900				
H25A54QDBL					AC	14	53500	4635				
H25A56QDBL					AC	14.5	55600	4900				
H23A543DBL					AC	15.4	53400	5270				
H23A563DBL					AC	16	55600	5390				
H23A54QDBL					AC	15.4	53500	5360				
H23A56QDBL					AC	15.8	54890	5500				
ZR54K3-TFD					AC	7.5	53300	4790 6.9				
ZR54KC-TFD					AC	8.2	53500	4740 7.4				
ZR54K3E-TF5									AC	19.3	54700	4960 14.5
ZR57K3-PFV					AC	32.1	57500	5060 22.7				
ZR57KC-PFV					AC	28.0	57100	5190 27.0				
AV*5558E					AC	24.0	57500	5380				
AV5558EXD					AC		57000					
SA*5558E					AC		58000					
SA5558EXD					AC		58000					
SF*5558E					AC		58000					
SF5558EXD					AC		58000					

Compressor Data

Model	Volts/ Phase	Dimensions (inches)			Mounting (inches)		Connections (inches)		Oil Type	Oil Charge (ounces)	
		L	W	H	L	W	Disch	Suct		Initial	Recharge
ZR49KCE-PFV	208/230-1	9.5	9.7	17.7	7.5	7.5	1/2	7/8	POE	66	62
ZR49KCE-TF5	200/230-3	9.5	9.7	17.7	7.5	7.5	1/2	7/8	POE	66	62
ZR49K3E-TFD	460-3	9.5	9.7	17.7	7.5	7.5	1/2	7/8	POE	66	62
ZR49KCE-TFD	460-3	9.5	9.7	17.7	7.5	7.5	1/2	7/8	POE	66	62
ZR54K3-PFV	208/230-1	9.5	9.7	17.7	7.5	7.5	1/2	7/8		56	52
ZR54KC-PFV	208/230-1	9.5	9.7	17.7	7.5	7.5	1/2	7/8		56	52
AG*5553E											
AG5553EXD				16.0	7.5	7.5	1/2	7/8			
SA*5554E											
SA5554EXD											
SF*5554E											
SF5554EXD											
AV5555EXD											
H27A54QCBC	208/230-1			17.7			5/8	7/8		65	62
H25A54QCBC	208/230-1			17.4			1/2	7/8		65	62
H23A543ABC	208/230-1			16.2			3/8	3/4		55	52
H23A54QABC	208/230-1			16.5			3/8	3/4		50	47
H23A56QABC	208/230-1			16.5			3/8	3/4		50	47
ZR54K3-TF5	200/230-3	9.5	9.7	17.7	7.5	7.5	1/2	7/8		66	62
ZR54KC-TF5	200/230-3	9.5	9.7	17.7	7.5	7.5	1/2	7/8		66	62
AV5555EXT											
SA*5554E											
SA5554EXT											
SF*5554E											
SF5554EXT											
AG*5553E											
AG5553EXT											
H27A54QDBL	200/230-3			17.7			5/8	7/8		65	62
H26A54QDBL	200/230-3			18.0			1/2	7/8		65	62
H25A563DBL	200/230-3			17.7			1/2	7/8		65	62
H25A54QDBL	200/230-3			17.4			1/2	7/8		65	62
H25A56QDBL	200/230-3			17.4			1/2	7/8		65	62
H23A543DBL	200/230-3			16.8			3/8	3/4		55	52
H23A563DBL	200/230-3			16.2			3/8	3/4		55	52
H23A54QDBL	200/230-3			16.5			3/8	3/4		55	52
H23A56QDBL	200/230-3			16.5			3/8	3/4		55	52
ZR54K3-TFD	460-3	9.5	9.7	17.7	7.5	7.5	1/2	7/8		66	62
ZR54KC-TFD	460-3	9.5	9.7	17.7	7.5	7.5	1/2	7/8		66	62
ZR54K3E-TF5	200/230-3	9.5	9.7	17.7	7.5	7.5	1/2	7/8	POE	66	62
ZR57K3-PFV	208/230-1	9.5	9.7	17.7	7.5	7.5	1/2	7/8		56	52
ZR57KC-PFV	208/230-1	9.5	9.7	17.7	7.5	7.5	1/2	7/8		64	60
AV*5558E	208/230-1									54	
AV5558EXD											
SA*5558E											
SA5558EXD											
SF*5558E											
SF5558EXD											

Compressor Data

“ZR” Compressors

Model	R134a				R22				R407C				
	App	RLA	BTUH	Watts Amps	App	RLA	BTUH	WattsAmps	App	RLA	BTUH	Watts Amps	
ZR57K3-PFV					AC 32.1		57500	5060	22.7				
H27A56QCBC					AC 21.3		56800	4898					
H26A56QCBC					AC 21.5		55900	4934					
H25A56QCBC					AC 22		55600	4945					
H23A563ABC					AC 24.6		55600	5480					
H20R583ABC					AC 28.9		57400	5080					
H21R583CBC					AC 28.9		57900	5120					
ZR57K3-TF5					AC 19.3		57200	4910	14.5				
ZR57KC-TF5					AC 17.2		57000	5010	15.4				
AV*5558E					AC 15.9		57600	5300					
AV5558EXT					AC		57000						
SA*5558E					AC		58000						
SA5558EXT					AC		58000						
SF*5558E					AC		58000						
SF5558EXT					AC		58000						
H27A56QDBL					AC 15.5		56800	4855					
H26A56QDBL					AC 15.4		55900	4934					
H23A62QDBL					AC 18		59250	6400					
H20R583DBL					AC 16		57400	5020					
H20R603DBL					AC 16		59400	5190					
H21R583DBL					AC 15.5		56500	5020					
H21R603DBL					AC 18		59400	5200					
ZR57K3-TFD					AC 10.0		57200	4960	7.3				
ZR57KC-TFD					AC 8.2		57000	5010	7.7				
ZR57K3E-TF5										AC 19.3	57600	5280	15.3
ZR57KCE-TF5										AC 17.2	TBD		
ZR57K3E-TFD										AC 10.0	57600	5280	7.6
ZR57KCE-TFD										AC 8.2	TBD		
ZR61K3-PFV					AC 32.1		61200	5410	25.3				
ZR61KC-PFV					AC 30.1		61000	5500	26.8				
SF*5560E					AC		60000						
SF5560EXD					AC		60000						
H27A62QCBC					AC 24		62300	5375					
H25A62QCBC					AC 24.6		61000	5430					
H23A623ABC					AC 28.2		60800	6080					
H23A62QABC					AC 29		61600	6360					
H20R603ABC					AC 28.9		59400	5250					
H21R603CBC					AC 28.9		60700	5390					
ZR61K3-TF5					AC 19.3		61000	5290	15.4				
ZR61KC-TF5					AC 20.7		60800	5320	16.7				
SF*5560E					AC		60000						
SF5560EXT					AC		60000						
AG*5561E					AC		61000						
AG5561EXT					AC		61000						
PFB500					AC		66500						
PFB503					AC		66500						
SA*5561E					AC		61000						
SA5561EXT					AC		61000						

TBD - To Be Determined

Compressor Data

Model	Volts/ Phase	Dimensions (inches)			Mounting (inches)		Connections (inches)		Oil Type	Oil Charge (ounces)	
		L	W	H	L	W	Disch	Suct		Initial	Recharge
ZR57K3-PFV	208/230-1	9.5	9.7	17.7	7.5	7.5	1/2	7/8		56	52
H27A56QCBC	208/230-1			17.7			5/8	7/8		65	62
H26A56QCBC	208/230-1			18.0			1/2	7/8		65	62
H25A56QCBC	208/230-1			17.4			1/2	7/8		65	62
H23A563ABC	208/230-1			16.2			3/8	3/4		55	52
H20R583ABC	208/230-1			17.7			1/2	3/4		54	52
H21R583CBC	208/230-1			18.3			1/2	7/8		65	62
ZR57K3-TF5	200/230-3	9.5	9.7	17.7	7.5	7.5	1/2	7/8		66	62
ZR57KC-TF5	200/230-3	9.5	9.7	17.7	7.5	7.5	1/2	7/8		66	62
AV*5558E	200/230-3									54	
AV5558EXT											
SA*5558E											
SA5558EXT											
SF*5558E											
SF5558EXT											
H27A56QDBL	200/230-3			17.7			5/8	7/8		65	62
H26A56QDBL	200/230-3			18.0			1/2	7/8		65	62
H23A62QDBL	200/230-3			16.5			3/8	3/4		55	52
H20R583DBL	200/230-3			17.7			1/2	3/4		72	69
H20R603DBL	200/230-3			17.7			1/2	3/4		72	69
H21R583DBL	200/230-3			18.3			1/2	3/4		72	69
H21R603DBL	200/230-3			18.3			1/2	3/4		72	69
ZR57K3-TFD	460-3	9.5	9.7	17.7	7.5	7.5	1/2	7/8		66	62
ZR57KC-TFD	460-3	9.5	9.7	17.7	7.5	7.5	1/2	7/8		66	62
ZR57K3E-TF5	200/230-3	9.5	9.7	17.7	7.5	7.5	1/2	7/8	POE	66	62
ZR57KCE-TF5	200/230-3	9.5	9.7	17.7	7.5	7.5	1/2	7/8	POE	66	62
ZR57K3E-TFD	460-3	9.5	9.7	17.7	7.5	7.5	1/2	7/8	POE	66	62
ZR57KCE-TFD	460-3	9.5	9.7	17.7	7.5	7.5	1/2	7/8	POE	66	62
ZR61K3-PFV	208/230-1	9.5	9.7	17.7	7.5	7.5	1/2	7/8		56	52
ZR61KC-PFV	208/230-1	9.5	9.7	17.7	7.5	7.5	1/2	7/8		56	52
SF*5560E											
SF5560EXD											
H27A62QCBC	208/230-1			17.7			5/8	7/8		65	62
H25A62QCBC	208/230-1			17.4			1/2	7/8		65	62
H23A623ABC	208/230-1			16.2			3/8	3/4		55	52
H23A62QABC	208/230-1			16.5			3/8	3/4		50	47
H20R603ABC	208/230-1			18.5			1/2	3/4		54	52
H21R603CBC	208/230-1			18.3			1/2	7/8		65	62
ZR61K3-TF5	200/230-3	9.5	9.7	17.7	7.5	7.5	1/2	7/8		66	62
ZR61KC-TF5	200/230-3	9.5	9.7	17.7	7.5	7.5	1/2	7/8		66	62
SF*5560E											
SF5560EXT											
AG*5561E											
AG5561EXT											
PFB500											
PFB503											
SA*5561E											
SA5561EXT											

Compressor Data

“ZR” Compressors

Model	R134a				R22				R407C			
	App	RLA	BTUH	Watts Amps	App	RLA	BTUH	WattsAmps	App	RLA	BTUH	Watts Amps
ZR61K3-TF5 <i>H27A62QDBL</i> <i>H26A62QDBL</i> <i>H25A62QDBL</i> <i>H23A623DBL</i>					AC 19.3	61000	5290	15.4				
					AC 16.8	62300	5325					
					AC 17.3	61000	5390					
					AC 16	61000	5375					
					AC 17.5	60800	5990					
ZR61K3-TFD ZR61KC-TFD					AC 10.0	61000	5290	7.7				
					AC 8.9	60800	5320	8.3				
ZR61K3E-TF5 ZR61KCE-TF5	TBD								AC 19.3	TBD		
	AC 20.7	TBD							AC 20.7	61700	5560	16.9
ZR61K3E-TFD ZR61KCE-TFD	AC 8.9	42200	3550	6.4					AC 10.0	TBD		
									AC 8.9	61700	5560	8.4
ZR67KC-PFV					AC 27.9	67100	6140	27.9				
ZR68KC-TF5 <i>AG*5568E</i> <i>AG5568EXT</i> <i>H26A68QDBL</i>					AC 20.7	68500	5960	18.2				
					AC	68000						
					AC	68000						
					AC 17.5	68200	6010					
ZR68KC-TFD					AC 10.0	68500	5960	9.1				
ZR68KCE-TFD									AC 10.0	TBD		
ZR72KCE-TF5	AC 20.7	TBD							AC 20.7	73100	6530	14.5
ZR72KCE-TFD	AC 10.0	49000	4420	6.9					AC 10.0	73100	6530	7.2
ZR72KC-TF5 <i>AG*5573E</i> <i>AG5573EXT</i> <i>SF*5572E</i> <i>SF5572EXT</i> <i>H25A72QDBL</i> <i>H20R753DBL</i>					AC 20.7	73500	6340	36.5				
						72500						
						72500						
						19.0	72000	6485				
							72000					
					AC 18.3	71500	6340					
					AC 18.9	74800	6480					
ZR72KC-TFD					AC 10.0	73500	6340	9.1				
ZR81KC-TF5 <i>SF*5581EXT</i> <i>SF5581EXT</i>					AC 25.0	81100	7030	20.8				
					AC	81000						
					AC	81000						
ZR81KC-TFD SF*5581EXG SF5581EXG					AC 12.0	81500	7090	11.0				
					AC	81000						
					AC	81000						
ZR81KCE-TF5	AC 25.0	TBD							AC 25.0	81300	7550	22.6
ZR81KCE-TFD	AC 12.0	55000	4950	8.9					AC 12.0	81300	7550	11.5
ZR84KCE-TF5									AC 28.6	84800	7840	23.7

TBD - To Be Determined

Compressor Data

Model	Volts/ Phase	Dimensions (inches)			Mounting (inches)		Connections (inches)		Oil Type	Oil Charge (ounces)	
		L	W	H	L	W	Disch	Suct		Initial	Recharge
ZR61K3-TF5	200/230-3	9.5	9.7	17.7	7.5	7.5	1/2	7/8		66	62
<i>H27A62QDBL</i>	200/230-3			17.7			5/8	7/8		65	62
<i>H26A62QDBL</i>	200/230-3			18.0			1/2	7/8		65	62
<i>H25A62QDBL</i>	200/230-3			17.4			1/2	7/8		65	62
<i>H23A623DBL</i>	200/230-3			16.8			3/8	3/4		55	52
ZR61K3-TFD	460-3	9.5	9.7	17.7	7.5	7.5	1/2	7/8		66	62
ZR61KC-TFD	460-3	9.5	9.7	17.7	7.5	7.5	1/2	7/8		66	62
ZR61K3E-TF5	200/230-3	9.5	9.7	17.7	7.5	7.5	1/2	7/8	POE	66	62
ZR61KCE-TF5	200/230-3	9.5	9.7	17.7	7.5	7.5	1/2	7/8	POE	66	62
ZR61K3E-TFD	460-3	9.5	9.7	17.7	7.5	7.5	1/2	7/8	POE	66	62
ZR61KCE-TFD	460-3	9.5	9.7	17.7	7.5	7.5	1/2	7/8	POE	66	62
ZR67KC-PFV	208/230-1	9.5	9.7	17.7	7.5	7.5	1/2	7/8		60	56
ZR68KC-TF5	200/230-3	9.5	9.7	17.7	7.5	7.5	1/2	7/8		60	56
<i>AG*5568E</i>	200/230-3										
<i>AG5568EXT</i>	200/230-3										
<i>H26A68QDBL</i>	200/230-3			17.5			1/2	7/8		65	62
ZR68KC-TFD	460-3	9.5	9.7	17.7	7.5	7.5	1/2	7/8		60	56
ZR68KCE-TFD	460-3								POE		
ZR72KCE-TF5	200/230-3	9.5	9.7	17.7	7.5	7.5	1/2	7/8	POE	60	56
ZR72KCE-TFD	460-3	9.5	9.7	17.7	7.5	7.5	1/2	7/8	POE	60	56
ZR72KC-TF5	200/230-3	9.5	9.7	17.7	7.5	7.5	1/2	7/8		60	56
<i>AG*5573E</i>	200/230-3										
<i>AG5573EXT</i>											
<i>SF*5572E</i>	200/230-3										
<i>SF5572EXT</i>	200/230-3										
<i>H25A72QDBL</i>	200/230-3			17.5			1/2	7/8		65	62
<i>H20R753DBL</i>	200/230-3			17.7			1/2	3/4		72	69
ZR72KC-TFD	460-3	9.5	9.7	17.7	7.5	7.5	1/2	7/8		60	56
ZR81KC-TF5	200/230-3	9.5	9.7	17.9	7.5	7.5	3/4	7/8		60	56
<i>SF*5581EXT</i>	200/230-3										
<i>SF5581EXT</i>	200/230-3										
ZR81KC-TFD	460-3	9.5	9.7	17.9	7.5	7.5	3/4	7/8		60	56
SF*5581EXG	460-3										
SF5581EXG	460-3										
ZR81KCE-TF5	200/230-3	9.5	9.7	17.9	7.5	7.5	3/4	7/8	POE	60	56
ZR81KCE-TFD	460-3	9.5	9.7	17.9	7.5	7.5	3/4	7/8	POE	60	56
ZR84KCE-TF5	200/230-3	10.4	11.2	18.8	7.5	7.5	7/8	1 1/8	POE	85	81

Compressor Data

“ZR” Compressors

Model	R134a					R22					R407C				
	App	RLA	BTUH	Watts	Amps	App	RLA	BTUH	Watts	Amps	App	RLA	BTUH	Watts	Amps
ZR84KCE-TFD											AC	14.2	84800	7840	11.8
ZR90K3E-TWC	AC	34.6	59800	5590	20.1						AC	34.6	88600	8450	25.7
ZR90K3E-TWD	AC	15.8	59800	5590	10.1						AC	15.8	88600	8450	12.9
ZR94KCE-TF5											AC	32.1	94900	8690	26.3
ZR94KCE-TFD											AC	16.4	94900	8690	13.1
ZR108KCE-TF5											AC	33.6	109000	9660	29.2
ZR108KCE-TFD											AC	17.3	107700	9640	14.6
ZR125KCE-TF5											AC	42.0	127200	11570	34.3
ZR125KCE-TFD											AC	19.2	127000	11410	17.0
ZR11M3E-TWC	AC	39.4	73600	6790	22.9						AC	39.4	109800	10390	30.3
ZR11M3E-TWD	AC	19.1	73600	6790	11.4						AC	19.1	109800	10390	15.2
ZR12M3E-TWC	AC	42.3	85200	7790	26.3						AC	42.3	127200	11910	34.8
ZR12M3E-TWD	AC	22.8	85200	7790	13.1						AC	22.8	127200	11910	17.4
ZR90K3-TWC						AC	27.2	88800	7990	25.0					
ZR90K3-TWD						AC	14.3	88800	7990	12.5					
ZR16M3E-TWC	AC	50	104600	9580	32.1						AC	50.4	156700	14700	41.5
ZR16M3E-TWD	AC	28.0	104600	9580	16.1						AC	28.0	156700	14700	20.7
ZR19M3E-TWC	AC	57	125800	12240	35.7						AC	56.7	195000	18230	49.0
ZR19M3E-TWD	AC	33	125800	12240	17.9						AC	33.1	195000	18230	24.5
ZR16M3-TWC						AC	47.1	154300	13550	34.3					
ZR16M3-TWD						AC	25.0	154300	13550	17.1					
ZR19M3-TWC						AC	60.3	189400	17200	47.2					
H2NG184DPL						AC	51.8	183200	17740						
H25G184DPL						AC	51.4	181000	16760						
ZR19M3-TWD						AC	27.2	189400	17200	23.6					
H2NG184DPE						AC	25.9	183200	17740						
H25G184DPE						AC	25.7	181000	16760						

Compressor Data

Model	Volts/ Phase	Dimensions (inches)			Mounting (inches)		Connections (inches)		Oil Type	Oil Charge (ounces)	
		L	W	H	L	W	Disch	Suct		Initial	Recharge
ZR84KCE-TFD	460-3	10.4	11.2	18.8	7.5	7.5	7/8	1 1/8	POE	85	81
ZR90K3E-TWC	208/230-3	12.6	14.1	21.2	8.7	8.7	1 1/4	1 3/4	POE	140	137
ZR90K3E-TWD	460-3	12.6	14.1	21.2	8.7	8.7	1 1/4	1 3/4	POE	140	137
ZR94KCE-TF5	200/230-3	10.4	11.2	18.8	7.5	7.5	7/8	1 1/8		85	81
ZR94KCE-TFD	460-3	10.4	11.2	18.8	7.5	7.5	7/8	1 1/8		85	81
ZR108KCE-TF5	200/230-3	10.4	11.2	21.5	7.5	7.5	7/8	1 3/8		110	106
ZR108KCE-TFD	460-3	10.4	11.2	21.5	7.5	7.5	7/8	1 3/8		110	106
ZR125KCE-TF5	200/230-3	10.4	11.2	21.5	7.5	7.5	7/8	1 3/8		110	106
ZR125KCE-TFD	460-3	10.4	11.2	21.5	7.5	7.5	7/8	1 3/8		110	106
ZR11M3E-TWC	208/230-3	12.6	14.1	21.2	8.7	8.7	1 1/4	1 3/4	POE	140	137
ZR11M3E-TWD	460-3	12.6	14.1	21.2	8.7	8.7	1 1/4	1 3/4	POE	140	137
ZR12M3E-TWC	208/230-3	12.6	14.1	21.2	8.7	8.7	1 1/4	1 3/4	POE	140	137
ZR12M3E-TWD	460-3	12.6	14.1	21.2	8.7	8.7	1 1/4	1 3/4	POE	140	137
ZR90K3-TWC	208/230-3	13	14	22	8.7	8.7	1 1/4	1 3/4		140	137
ZR90K3-TWD	460-3	13	14	22	8.7	8.7	1 1/4	1 3/4		140	137
ZR16M3E-TWC	208/230-3	13	14	22	8.7	8.7	1 1/4	1 3/4	POE	140	137
ZR16M3E-TWD	460-3	13	14	22	8.7	8.7	1 1/4	1 3/4	POE	140	137
ZR19M3E-TWC	208/230-3	13	14	23	8.7	8.7	1 3/4	2 1/4	POE	140	137
ZR19M3E-TWD	460-3	13	14	23	8.7	8.7	1 3/4	2 1/4	POE	140	137
ZR16M3-TWC	208/230-3	13	14	22	8.7	8.7	1 1/4	1 3/4		140	137
ZR16M3-TWD	460-3	13	14	22	8.7	8.7	1 1/4	1 3/4		140	137
ZR19M3-TWC	208/230-3	13	14	23	8.7	8.7	1 3/4	2 1/4		140	137
<i>H2NG184DPL</i>	208/230-3			22.5			7/8	1 1/8		224	208
<i>H25G184DPL</i>	208/230-3			21.2			1 1/4	1 3/4		224	208
ZR19M3-TWD	460-3	13	14	23	8.7	8.7	1 3/4	2 1/4		140	137
<i>H2NG184DPE</i>	460-3			22.5			7/8	1 1/8		224	208
<i>H25G184DPE</i>	460-3			21.2			1 1/4	1 3/4		224	208

Wholesaler Notes

Wholesaler Notes

Compressor Data

“ZFH” Compressors

Model	R22					R404A				
	App	RLA	BTUH	Watts	Amps	App	RLA	BTUH	Watts	Amps
ZFH06K4E-TFD						MT		14500	2450	5.3
						LT		6100	1740	3.8
ZFH06K4E-TF5						MT		14500	2450	10.6
						LT		6100	1740	7.6
ZFH09K4E-TFD						MT		20300	3090	6.7
						LT		8500	2040	4.4
ZFH09K4E-TF5						MT		20300	3090	13.4
						LT		8500	2040	8.9
ZFH13K4E-TFD						MT		30100	4320	9.4
						LT		12700	2780	6
ZFH13K4E-TF5						MT		30100	4320	18.8
						LT		12700	2780	12.1
ZFH15K4E-TFD						MT		37200	5380	11.7
						LT		15600	3560	7.7
ZFH15K4E-TF5						MT		37200	5380	23.4
						LT		15600	3560	15.5
ZFH18K4E-TFD						MT		44100	6570	14.3
						LT		18700	4510	9.8
ZFH18K4E-TF5						MT		44100	6570	28.6
						LT		18700	4510	19.6

Compressor Data

Model	Volts/ Phase	Dimensions (inches)			Mounting (inches)		Connections (inches)				Oil	Oil Charge (ounces)	
		L	W	H	L	W	Disch		Suct			Initial	Rechg.
ZFH06K4E-TFD	460-30	19.2	12.3	9.1	11.0	8.6	1/2	1	3/4	1 1/4			
ZFH06K4E-TF5	200/230-3	19.2	12.3	9.1	11.0	8.6	1/2	1	3/4	1 1/4			
ZFH09K4E-TFD	460-3	19.2	12.3	9.1	11.0	8.6	1/2	1	3/4	1 1/4			
ZFH09K4E-TF5	200/230-3	19.2	12.3	9.1	11.0	8.6	1/2	1	3/4	1 1/4			
ZFH13K4E-TFD	460-3	19.2	12.3	9.1	11.0	8.6	1/2	1	3/4	1 1/4			
ZFH13K4E-TF5	200/230-3	19.2	12.3	9.1	11.0	8.6	1/2	1	3/4	1 1/4			
ZFH15K4E-TFD	460-3	19.2	12.3	9.1	11.0	8.6	1/2	1	3/4	1 1/4			
ZFH15K4E-TF5	200/230-33	19.2	12.3	9.1	11.0	8.6	1/2	1	3/4	1 1/4			
ZFH18K4E-TFD	460-3	19.2	12.3	9.1	11.0	8.6	1/2	1	3/4	1 1/4			
ZFH18K4E-TF5	200/230-3	19.2	12.3	9.1	11.0	8.6	1/2	1	3/4	1 1/4			

Compressor Data

“ZP” Compressors

Model	R410A					Volts/ Phase	Dimensions (inches)			Mounting (inches)		Connections (inches)		Oil Type	Oil Charge (ounces)	
	App	RLA	BTUH	Watts	Amps		L	W	H	L	W	Disch	Suct		Initial	Rechg.
ZP23K3E-PFV	AC	15.0	23500	2400	11.0	208/230-1	9.5	9.5	14.7	7.5	7.5	1/2	3/4	POE	38	34
ZP23K3E-TFD	AC	5.0	23500	2460	3.6	460-3	9.5	9.5	14.7	7.5	7.5	1/2	3/4	POE	38	34
ZP26K3E-PFV	AC	16.4	25700	2620	12.0	208/230-1	9.5	9.5	14.7	7.5	7.5	1/2	3/4	POE	38	34
ZP26K3E-TF5	AC	11.6	25500	2630	8.0	200/230-3	9.5	9.5	14.7	7.5	7.5	1/2	3/4	POE	38	34
ZP26K3E-TFD	AC	5.0	25700	2650	4.0	460-3	9.5	9.5	14.7	7.5	7.5	1/2	3/4	POE	38	34
ZP32K3E-PFV	AC	17.1	31300	3130	14.5	208/230-1	9.5	9.5	15.6	7.5	7.5	1/2	3/4	POE	42	38
ZP32K3E-TF5	AC	12.9	30800	3250	9.4	200/230-3	9.5	9.5	15.6	7.5	7.5	1/2	3/4	POE	42	38
ZP32K3E-TFD	AC	5.7	32000	3110	4.7	460-3	9.5	9.5	15.6	7.5	7.5	1/2	3/4	POE	42	38
ZP36K3E-PFV	AC	20.7	36200	3620	16.6	208/230-1	9.5	9.5	16.1	7.5	7.5	1/2	3/4	POE	42	38
ZP36K3E-TF5	AC	15.3	36200	3620	10.8	200/230-3	9.5	9.5	16.1	7.5	7.5	1/2	3/4	POE	42	38
ZP36K3E-TFD	AC	7.1	36300	3520	5.3	460-3	9.5	9.5	16.1	7.5	7.5	1/2	3/4	POE	42	38
ZP38K3E-PFV	AC	21.4	37800	3780	17.3	208/230-1	9.5	9.5	16.1	7.5	7.5	1/2	3/4	POE	42	38
ZP38K3E-TF5	AC	15.0	37600	3760	10.9	200/230-3	9.5	9.5	15.7	7.5	7.5	1/2	3/4	POE	42	38
ZP41K3E-PFV	AC	22.8	41000	4020	18.3	208/230-1	9.5	9.5	15.6	7.5	7.5	1/2	3/4	POE	42	38
ZP41K3E-TF5	AC	16.2	41000	4150	12.0	200/230-3	9.5	9.5	15.7	7.5	7.5	1/2	3/4	POE	42	38
ZP41K3E-TFD	AC	7.2	41100	3950	6.0	460-3	9.5	9.5	15.7	7.5	7.5	1/2	3/4	POE	42	38
ZP54K3E-PFV	AC	30.7	54400	5280	23.6	208/230-1	9.5	9.7	17.9	7.5	7.5	1/2	7/8	POE	56	52
ZP54K3E-TF5	AC	20.2	54400	5230	16.0	200/230-3	9.5	9.7	17.9	7.5	7.5	1/2	7/8	POE	66	62
ZP54K3E-TFD	AC	10.0	54400	5230	8.0	460-3	9.5	9.7	17.9	7.5	7.5	1/2	7/8	POE	66	62
ZP120KCE-TFD	AC	20.0	119600	11110	16.4	460-3	10.4	11.2	21.5	7.5	7.5	7/8	1 3/8		110	106

Compressor Data

Tandem Compressors

Model	R22					Volts/ Phase	Dimensions (inches)			Mounting (inches)		Connections (inches)		Oil Type	Oil Charge (ounces)	
	App	RLA	BTUH	Watts	Amps		L	W	H	L	W	Disch	Suct		Initial	Rechg.
ZRT92K3-PFV	AC		92500	8300	38.1	208/230-1	24.6	11.7	18.8	21.7	7.5	3/4	1 1/4		114	106
ZRT92K3-TFD	AC		92700	8240	11.9	460-3	25	12	19	22	7.5	3/4	1 1/4		114	106
ZRT92K3-TF5 <i>H25D92QDBL</i>	AC	12.6	92700 89965	8240 7990	23.9	200/230-3 200/230-3	25	12	19 20	22	7.5	3/4 1/2	1 1/4 7/8		114	106
ZRT98K3-PFV	AC		98400	8860	40.3	208/230-1	25	12	19	22	7.5	3/4	1 1/8		114	106
ZRT98K3-TF5 <i>H25D99QDBL</i> <i>H25D10QDBL</i>	AC	13.0 14.0	98600 95660 104315	8720 8495 9265	25.3	200/230-3 200/230-3 200/230-3	25	12	19 21.3 21.3	22	7.5	3/4 1/2 1/2	1 1/8 7/8 7/8		114	106
ZRT98K3-TFD	AC		98600	8720	12.6	460-3	25	12	19	22	7.5	3/4	1 1/8		114	106
ZRT108K3-PFV	AC		108500	9750	44.2	208/230-1	25	12	19	22	7.5	3/4	1 1/8		114	106
ZRT108K3-TF5 <i>H25D11QDBL</i> <i>H25D12QDBL</i>	AC	14.5 16.0	107800 107705 118227	9510 9890 10860	27.8	200/230-3 200/230-3 200/230-3	25	12	19 21.3 21.3	22	7.5	3/4 1/2 1/2	1 1/8 7/8 7/8		114	106
ZRT108K3-TFD	AC		107800	9510	13.9	460-3	25	12	19	22	7.5	3/4	1 1/8		114	106
ZRT114K3-PFV	AC		115700	10260	45.7	208/230-1	25	12	19	22	7.5	3/4	1 1/8		114	106
ZRT114K3-TF5	AC		115200	10030	29.2	200/230-3	25	12	19	22	7.5	3/4	1 1/8		114	106
ZRT114K3-TFD	AC		115200	10030	14.6	460-3	25	12	19	22	7.5	3/4	1 1/8		114	106
ZRT122K3-PFV	AC		121200	10830	50.6	208/230-1	25	12	19	22	7.5	3/4	1 1/8		114	106
ZRT122K3-TFD	AC		120800	10620	15.4	460-3	25	12	19	22	7.5	3/4	1 1/8		114	106
ZRT122K3-TF5	AC		120800	10620	30.8	200/230-3	25	12	19	22	7.5	3/4	1 1/8		114	106
ZRT136KC-TF5	AC		137300	11940	36.1	200/230-3	25	12	19	22	7.5	3/4	1 1/8		114	106
ZRT136KC-TFD	AC		137300	11940	18.0	460-3	25	12	19	22	7.5	3/4	1 1/8		114	106
ZRT144KC-TFD	AC		144300	12620	18.3	460-3	25	12	19	22	7.5	3/4	1 1/8		114	106
ZRT144KC-TF5	AC		144300	12620	36.6	200/230-3	25	12	19	22	7.5	3/4	1 1/8		114	106
ZRT162KC-TF5	AC		162900	14170	41.6	200/230-3	25	12	19.0	21.5	7.5	1	1 1/8		120	112
ZRT162KC-TFD	AC		162900	14170	20.8	460-3	24.6	12.2	19.0	21.5	7.5	1	1 1/8		120	112
ZZ18M3-TWC	AC		174900	15980	50.0	208/230-3	35	18	22	15	8.7	1 1/9	1 2/3		280	274
ZZ18M3-TWD	AC		174900	15980	25.0	460-3	35	18	22	15	8.7	1 1/9	1 2/3		280	274
ZRT188KC-TF5	AC		185900	16370	50.6	200/230-3	25.0	12.3	19.5	19.7	10.0	1 1/8	1 5/8		170	162
ZRT188KC-TFD	AC		185900	16370	25.3	460-3	25.0	12.3	19.5	19.7	10.0	1 1/8	1 5/8		170	162

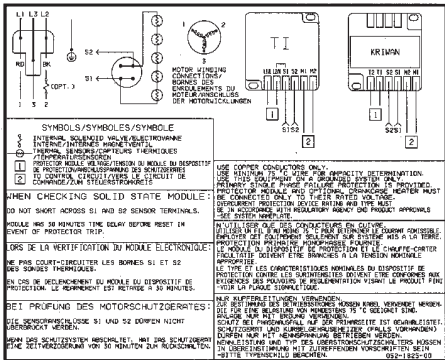
Compressor Data

Tandem Compressors

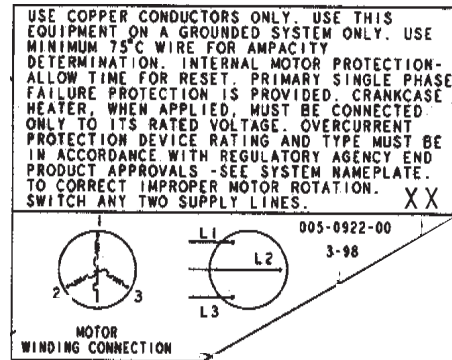
Model	R22					Volts/ Phase	Dimensions (inches)			Mounting (inches)		Connections (inches)		Oil Type	Oil Charge (ounces)	
	App	RLA	BTUH	Watts	Amps		L	W	H	L	W	Disch	Suct		Initial	Rechg.
ZZ21M3-TWC	AC		211100	18990	57.9	208/230-3	35.1	17.7	22.4	14.7	8.7	1 1/9	1 2/3		280	274
ZZ21M3-TWD	AC		211100	18990	29.0	460-3	35.1	17.7	22.4	14.7	8.7	1 1/9	1 2/3		280	274
ZZ22M3-TWC	AC		213400	19190	57.4	208/230-3	35.1	17.7	22.4	14.7	8.7	1 1/9	1 2/3		280	274
ZZ22M3-TWD	AC		213400	19190	28.7	460-3	35.1	17.7	22.4	14.7	8.7	1 1/9	1 2/3		280	274
ZZ24M3-TWC	AC		247200	22000	65.9	208/230-3	35	18	22	15	8.7	1 1/9	1 2/3		280	274
ZZ24M3-TWD	AC		247200	22000	32.9	460-3	35	18	22	15	8.7	1 1/9	1 2/3		280	274
ZRT250KC-TF5	AC		248100	21720	65.3	200/230-3	25.0	12.3	22.7	19.7	10.0	1 3/8	1 5/8		220	212
ZRT250KC-TFD	AC		248100	21720	32.7	460-3	25.0	12.3	22.7	19.7	10.0	1 3/8	1 5/8		220	212
ZZ28M3-TWC	AC		275600	24550	67.2	208/230-3	35.1	17.7	22.7	14.7	8.7	1 1/9	1 2/3		280	274
ZZ28M3-TWD	AC		275600	24550	33.6	460-3	35.1	17.7	22.7	14.7	8.7	1 1/9	1 2/3			
ZZ32M3-TWC	AC		304000	27090	68.5	208/230-3	35.1	17.7	22.4	14.7	8.7	1 1/9	1 2/3			
ZZ32M3-TWD	AC		304000	27090	34.3	460-3	35.1	17.7	22.4	14.7	8.7	1 1/9	1 2/3			
ZZ38M3-TWD	AC		373100	34400	47.2	460-3	37.0	19.9	24.6	15.3	8.7	1 3/8	2 1/8			

Wholesaler Notes

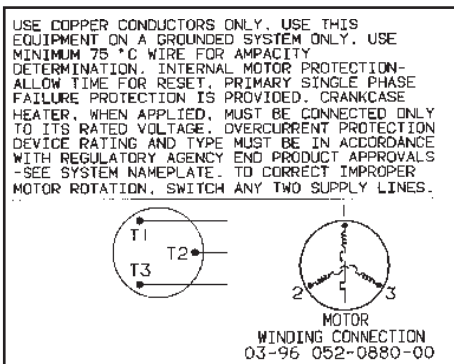
Electrical Diagrams



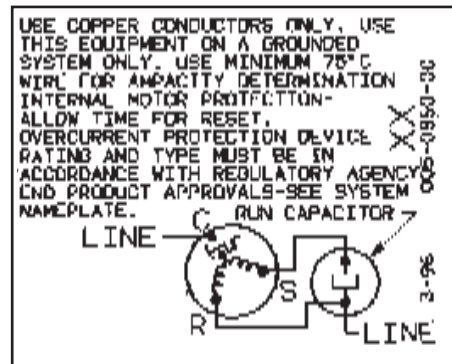
**ZR90K3 & ZR*M3
TW***



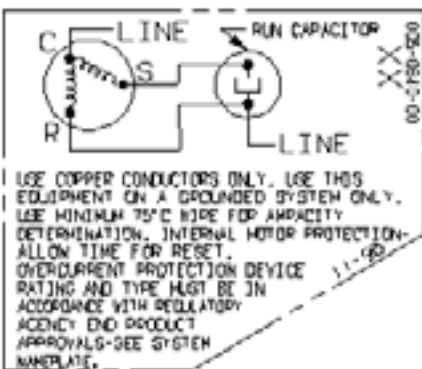
**ZR(84-144)KC
TF***



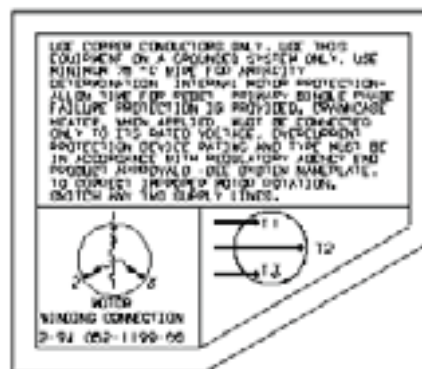
**ZR(46, 49-81)K, ZB/ZS(30-45)K,
ZF(13-18)K4
TF***



**ZR(46, 49-81)K, ZB/ZS(30-45)K,
ZF(13-18)K4
PF***

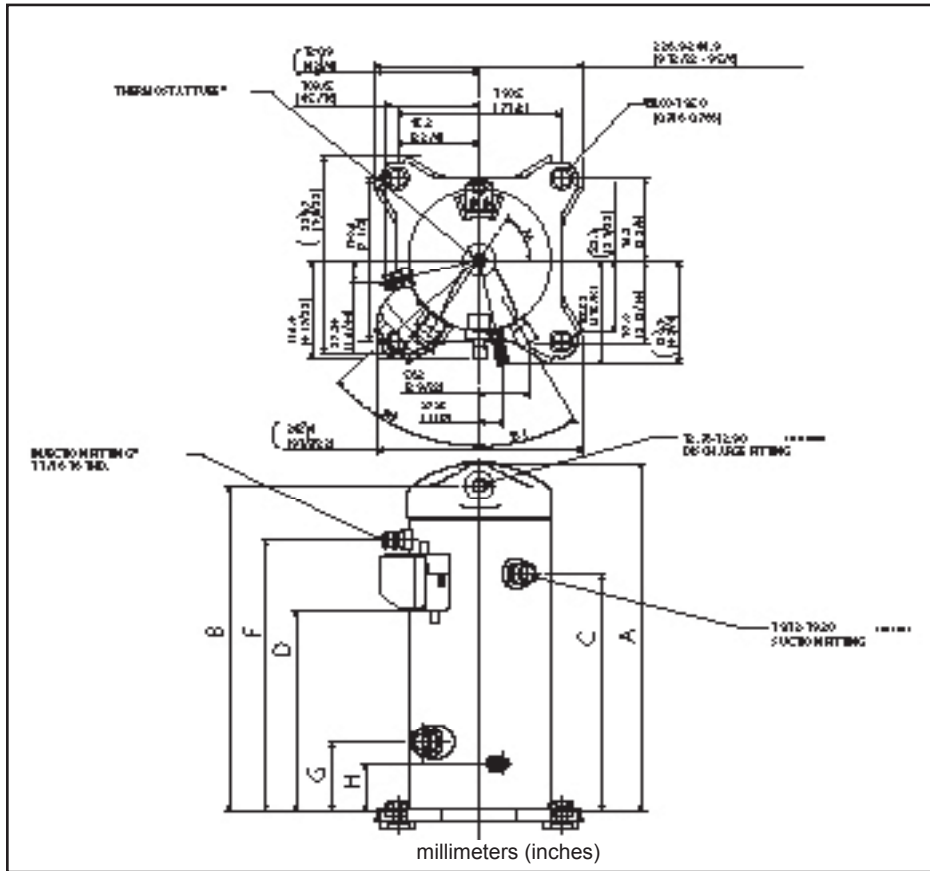


**ZR(16-24)K, ZR(18-45, 47, 48)K,
ZP(23-41)K, ZB/ZS(15-26)K,
ZF(06-11)K4
PF***



**ZR(18-45, 47, 48)K, ZP(23-41)K,
ZB/ZS(15-26)K, ZF(06-11)K4
TF***

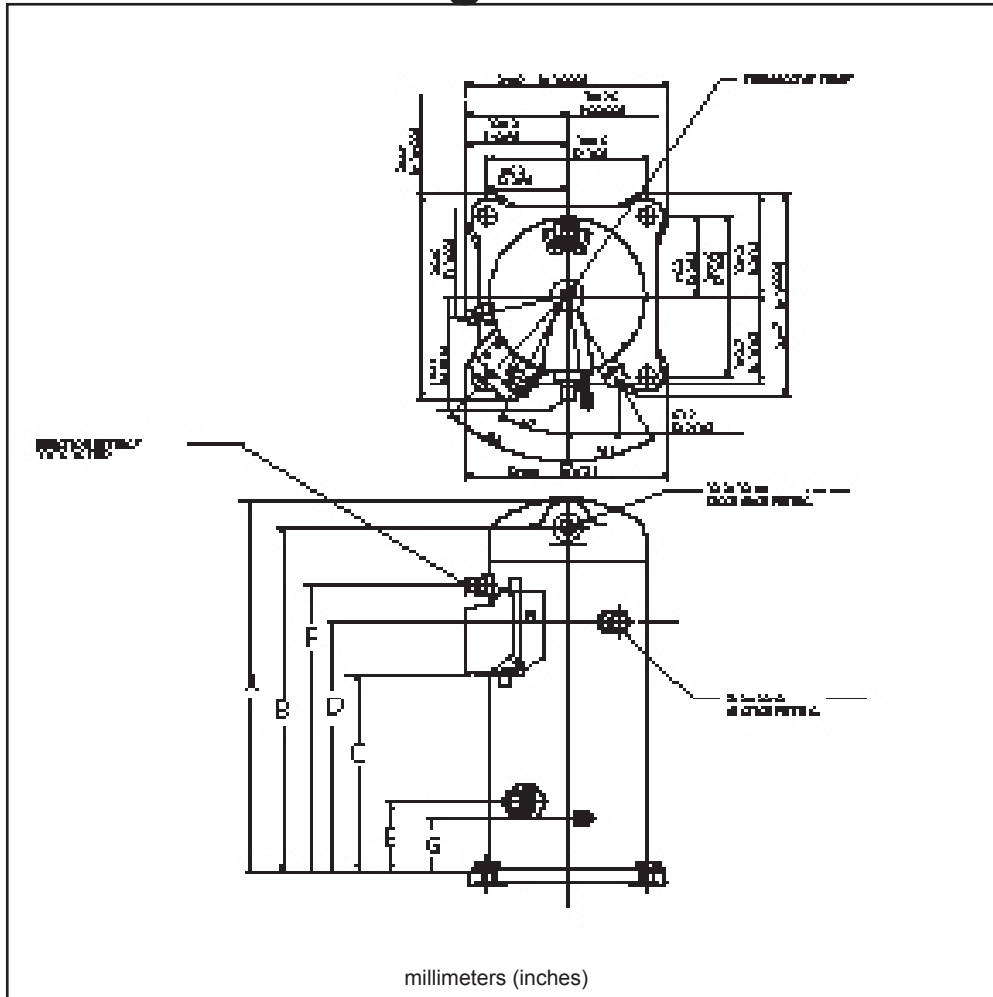
Figure 1



Model	A	B	C	D	F	G	H
ZB15KA	14.6	13.5	9.6	8.1	See Note	2.7	1.7
ZB19KA	15.5	14.4	10.4	8.9	See Note	3.0	1.9
ZB21KA	15.5	14.4	10.4	8.9	See Note	3.0	1.9
ZB26KA	16.1	15.0	10.9	9.4	See Note	3.0	1.9
ZF06K4	14.6	13.5	9.6	8.1	11.0	2.7	1.7
ZF06K4E	14.6	13.5	9.6	8.1	11.0	2.7	1.7
ZF08K4E	15.5	14.4	10.4	8.9	11.9	3.0	1.9
ZF09K4E	15.5	14.4	10.4	8.9	11.9	3.0	1.9
ZF11K4E	16.1	15.0	10.9	9.4	12.4	3.0	1.9
ZS15K4E	14.6	13.5	9.6	8.1	See Note	2.7	1.7
ZS19K4E	15.5	14.4	10.4	8.9	See Note	3.0	1.9
ZS21K4E	15.5	14.4	10.4	8.9	See Note	3.0	1.9
ZS26K4E	16.1	15.0	10.9	9.4	See Note	3.0	1.9

NOTE: These models are not available with liquid injection. Liquid injection applies to “ZF” models only.

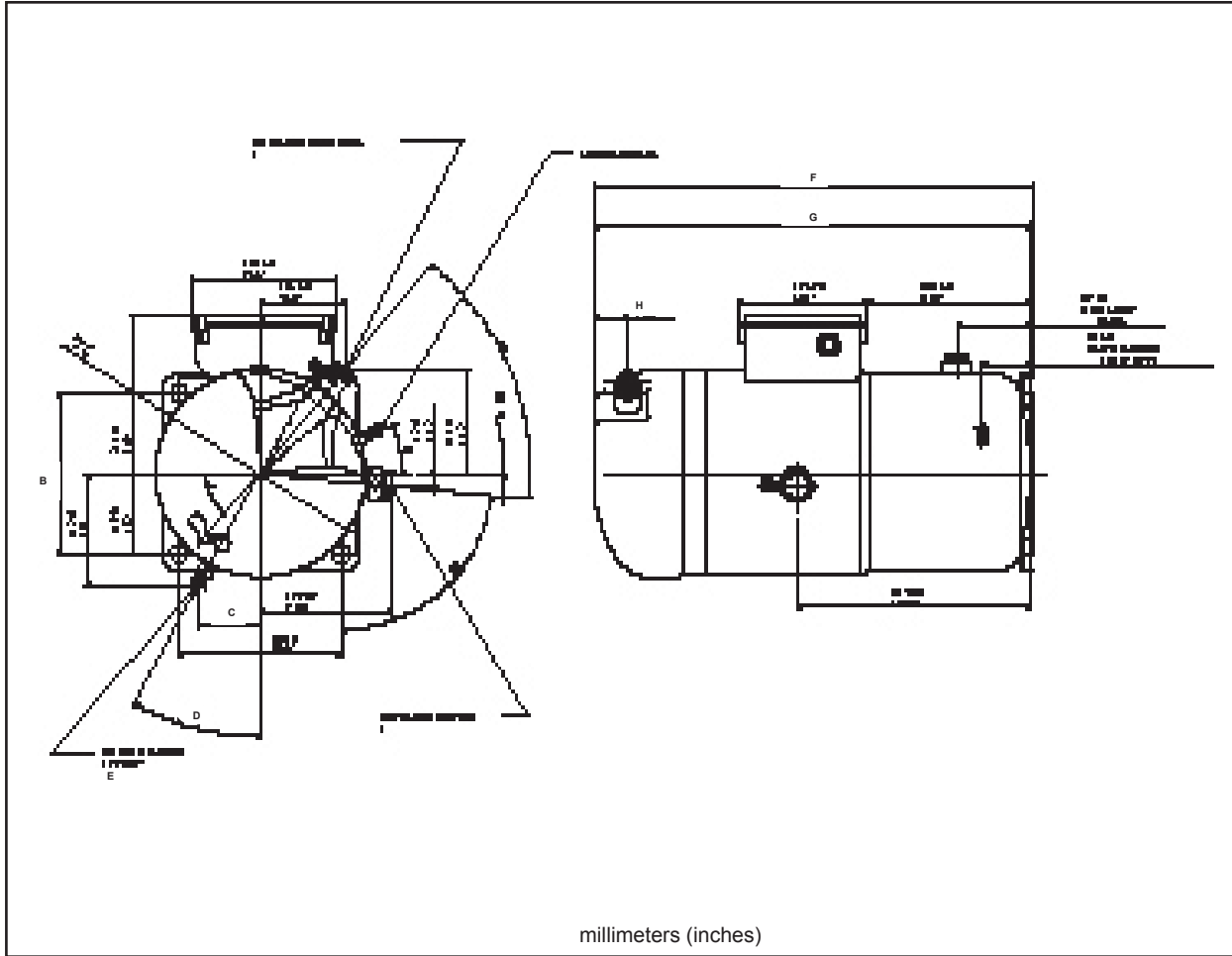
Figure 2



Models	A	B	C	D	E	F	G
ZF13K4E	17.4	16.1	9.2	11.7	3.2	13.4	1.9
ZF15K4E	17.4	16.1	9.2	11.7	3.2	13.4	1.9
ZF18K4E	17.4	16.1	9.2	11.7	3.2	13.4	1.9
ZS30K4E	17.2	16.1	9.2	11.7	3.2	See Note	1.9
ZS38K4E	17.2	16.1	9.2	11.7	3.2	See Note	1.9
ZS45K4E	17.2	16.1	9.2	11.7	3.2	See Note	1.9
ZB30KA	17.2	16.1	9.2	11.7	3.2	See Note	1.9
ZB38KA	17.2	16.1	9.2	11.7	3.2	See Note	1.9
ZB45KA	17.2	16.1	9.2	11.7	3.2	See Note	1.9

NOTE: These models are not available with liquid injection. Liquid injection applies to “ZF” models only.

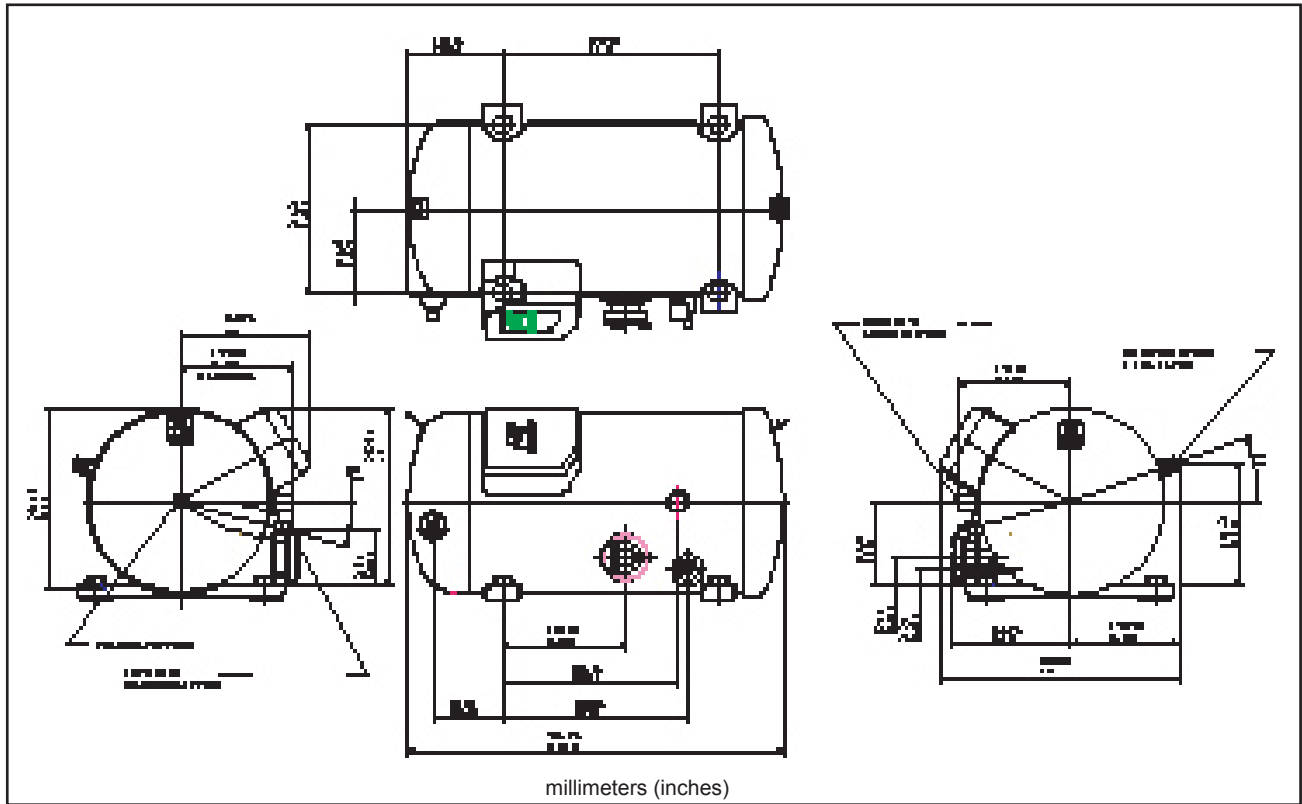
Figure 3



Models	B	C	D	E	F	G	H	I	J
ZF24K4E	6.0	3.3	28.50	0.25	21.2	21.0	1.6	1.25-12 THD	1.75-12 THD
ZF33K4E	6.0	3.3	28.50	0.25	21.2	21.0	1.6	1.25-12 THD	1.75-12 THD
ZF40K4E	6.0	3.3	28.5	0.25	21.5	21.3	1.6	1.25-12 THD	1.75-12 THD
ZF40K4E	6.0	3.3	28.5	0.25	23.4	23.2	1.6	1.25-12 THD	1.75-12 THD
ZS11M4E	See Note	See Note	See Note	See Note	23.4	23.2	1.8	1.75-12THD	2.25-12 THD
ZS56K4E	See Note	See Note	See Note	See Note	21.2	21.0	1.6	1.25-12 THD	1.75-12 THD
ZS75K4E	See Note	See Note	See Note	See Note	21.2	21.0	1.6	1.25-12 THD	1.75-12 THD
ZS92K4E	See Note	See Note	See Note	See Note	21.5	21.3	1.6	1.25-12 THD	1.75-12 THD
ZB11MA	See Note	See Note	See Note	See Note	23.4	23.2	1.8	1.75-12THD	2.25-12 THD
ZB75KA	See Note	See Note	See Note	See Note	21.2	21.0	1.6	1.25-12 THD	1.75-12 THD
ZB68KA	See Note	See Note	See Note	See Note	21.2	21.0	1.6	1.25-12 THD	1.75-12 THD
ZB56KA	See Note	See Note	See Note	See Note	21.2	21.0	1.6	1.25-12 THD	1.75-12 THD
ZB92KA	See Note	See Note	See Note	See Note	21.5	21.3	1.6	1.25-12 THD	1.75-12 THD

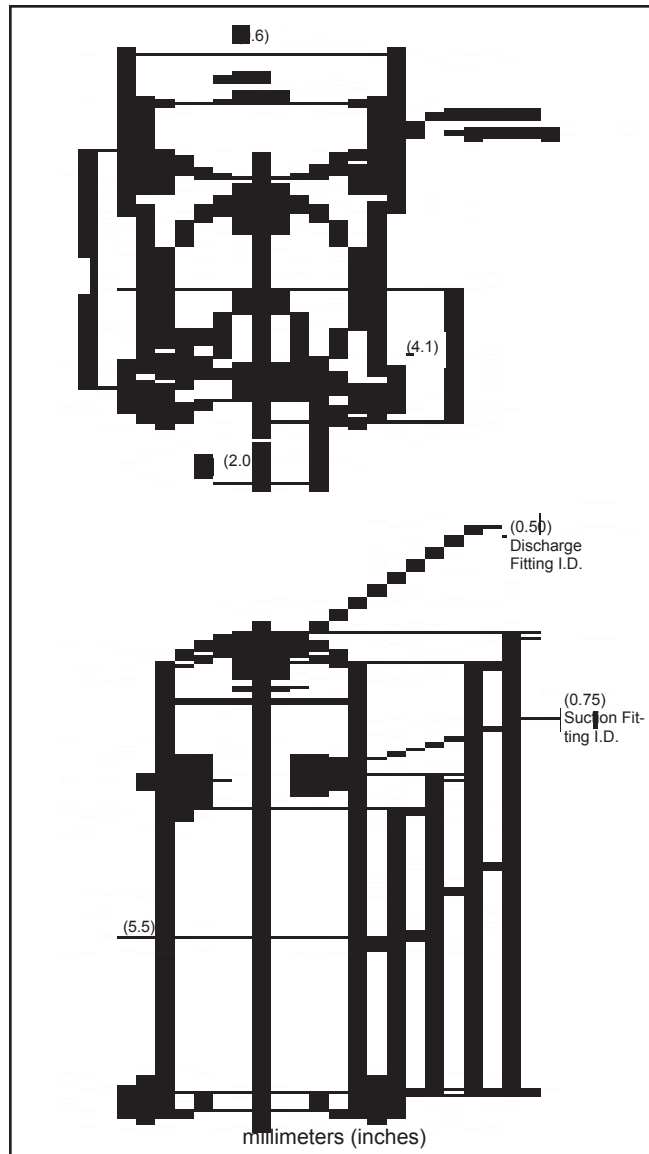
NOTE: These models are not available with liquid injection. Liquid injection applies to “ZF” models only.

Figure 4



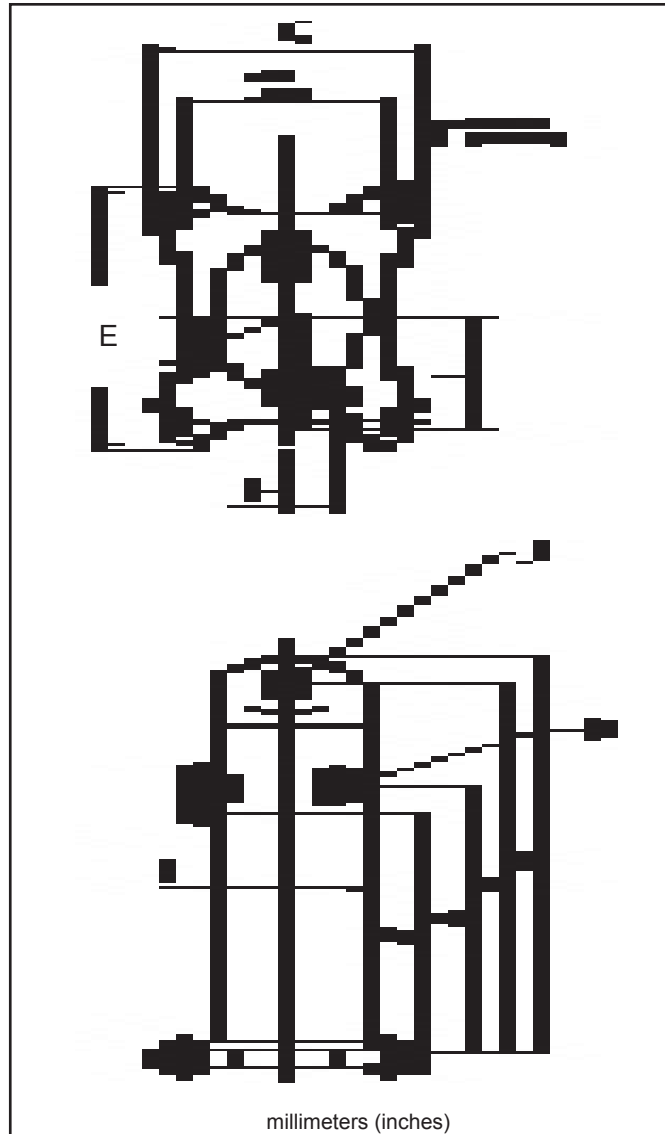
Models
ZFH06K4E
ZFH09K4E
ZFH13K4E
ZFH15K4E
ZFH18K4E

Figure 5



Models	A	B	C	D
ZR16KC-PFV	14.3	13.3	9.6	8.6
ZR18KC-PFV	14.3	13.3	9.6	8.6
ZR22KC-PFV	14.3	13.3	9.6	8.6
ZR24KC-PFV	14.3	13.3	9.6	8.6
ZR16K4-PFV	14.3	13.3	9.6	8.6
ZR18K4-PFV	14.3	13.3	9.6	8.6
ZR22K4-PFV	14.3	13.3	9.6	8.6
ZR24K4-PFV	14.3	13.3	9.6	8.6

Figure 6

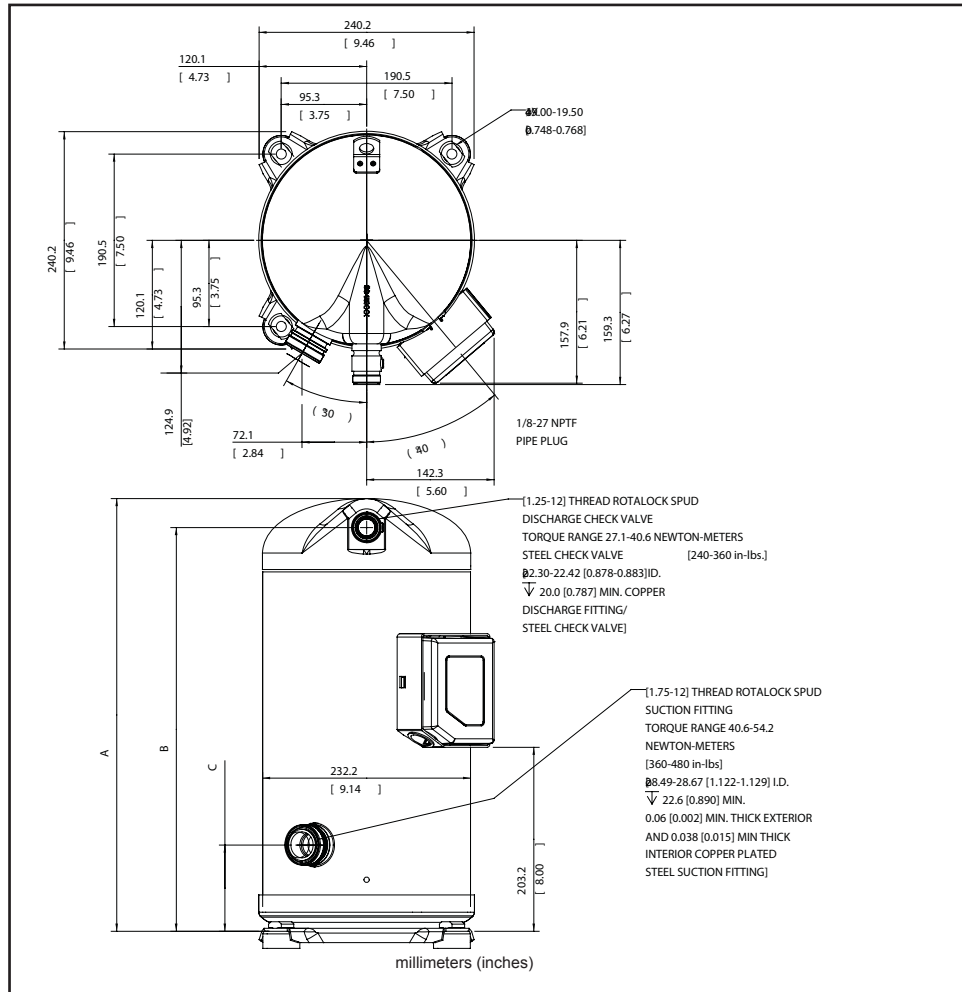


Models	A	B	C	D	E	F	G	H	I	J	K
ZP23K3E	14.3	13.3	9.6	9.0	9.1	6.6	9.6	2.3	4.5	0.50	0.75
ZP26K3E	14.3	13.3	9.6	9.0	9.1	6.6	9.6	2.3	4.5	0.50	0.75
ZP32K3E	15.1	14.1	10.4	9.8	9.1	6.6	9.6	2.3	4.5	0.50	0.75
ZP36K3E	15.6	14.6	10.9	10.4	9.1	6.6	9.6	2.3	4.5	0.50	0.75
ZP38K3E	15.6	14.6	10.9	10.4	9.1	6.6	9.6	2.3	4.5	0.50	0.75
ZP41K3E	15.6	14.6	10.9	10.4	9.1	6.6	9.6	2.3	4.5	0.50	0.75
ZP54K3E	17.3	16.1	11.7	10.8	8.6	7.3	9.5	2.4	4.7	0.50	0.88
ZR18K3E-PFV	13.8	12.9	9.2	8.1	8.2	6.5	9.6	2.3	4.5	0.50	0.75
ZR18K3-PFV	13.8	12.9	9.2	8.1	8.2	6.5	9.6	2.3	4.5	0.50	0.75
ZR22K3E	14.3	13.3	9.6	8.5	8.2	6.5	9.6	2.3	4.5	0.50	0.75
ZR22K3	14.3	13.3	9.6	8.5	8.2	6.5	9.6	2.3	4.5	0.50	0.75
ZR24K3E	14.3	13.3	9.6	8.5	8.2	6.5	9.6	2.3	4.5	0.50	0.75
ZR24K3	14.3	13.3	9.6	8.5	8.2	6.5	9.6	2.3	4.5	0.50	0.75
ZR26K3E	14.3	13.3	9.6	8.5	8.2	6.5	9.6	2.3	4.5	0.50	0.75
ZR26K3	14.3	13.3	9.6	8.5	8.2	6.5	9.6	2.3	4.5	0.50	0.75
ZR26KC	14.3	13.3	9.6	8.5	8.2	6.5	9.6	2.3	4.5	0.50	0.75
ZR28K3E	14.3	13.3	9.6	8.5	8.2	6.5	9.6	2.3	4.5	0.50	0.75

Figure 6

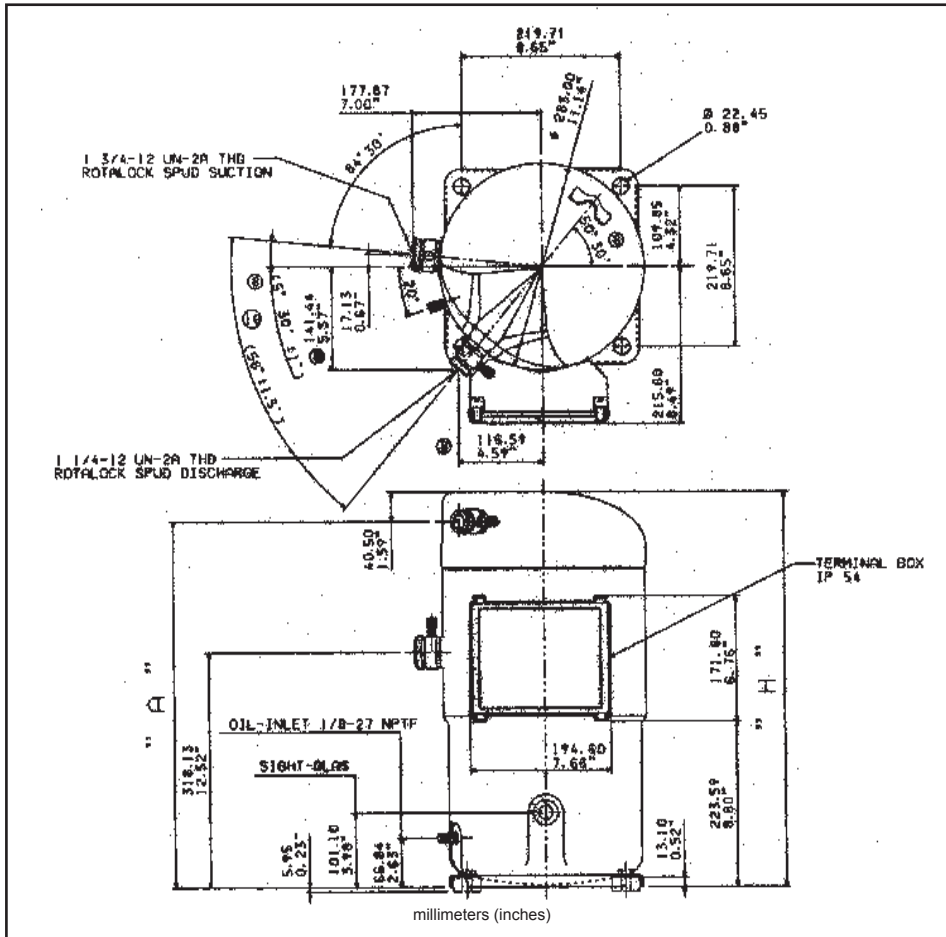
Models	A	B	C	D	E	F	G	H	I	J	K
ZR28K3	14.3	13.3	9.6	8.5	8.2	6.5	9.6	2.3	4.5	0.50	0.75
ZR28KC-PFV	14.3	13.3	9.6	8.5	8.2	6.5	9.6	2.3	4.5	0.50	0.75
ZR30K3E	15.2	14.2	10.4	9.3	8.2	6.5	9.6	2.3	4.5	0.50	0.75
ZR30K3	15.2	14.2	10.4	9.3	8.2	6.5	9.6	2.3	4.5	0.50	0.75
ZR30KC-PFV	15.2	14.2	10.4	9.3	8.2	6.5	9.6	2.3	4.5	0.50	0.75
ZR32K3E	15.2	14.2	10.4	9.3	8.2	6.5	9.6	2.3	4.5	0.50	0.75
ZR32K3	15.2	14.2	10.4	9.3	8.2	6.5	9.6	2.3	4.5	0.50	0.75
ZR32KC-PFV	15.2	14.2	10.4	9.3	8.2	6.5	9.6	2.3	4.5	0.50	0.75
ZR34K3E	15.2	14.2	10.4	9.3	8.2	6.5	9.6	2.3	4.5	0.50	0.75
ZR34K3	15.2	14.2	10.4	9.3	8.2	6.5	9.6	2.3	4.5	0.50	0.75
ZR34KC	15.2	14.2	10.4	9.3	8.2	6.5	9.6	2.3	4.5	0.50	0.75
ZR36K3E	15.2	14.2	10.4	9.3	8.2	6.5	9.6	2.3	4.5	0.50	0.75
ZR36K3	15.2	14.2	10.4	9.3	8.2	6.5	9.6	2.3	4.5	0.50	0.75
ZR36KC	15.2	14.2	10.4	9.3	8.2	6.5	9.6	2.3	4.5	0.50	0.75
ZR40K3E	15.8	14.8	10.9	9.8	8.2	6.5	9.6	2.3	4.5	0.50	0.75
ZR40K3	15.8	14.8	10.9	9.8	8.2	6.5	9.6	2.3	4.5	0.50	0.75
ZR40KC	15.8	14.8	10.9	9.8	8.2	6.5	9.6	2.3	4.5	0.50	0.75
ZR42K3E	15.8	14.8	10.9	9.8	8.2	6.5	9.6	2.3	4.5	0.50	0.75
ZR42K3	15.8	14.8	10.9	9.8	8.2	6.5	9.6	2.3	4.5	0.50	0.75
ZR42KC	15.8	14.8	10.9	9.8	8.2	6.5	9.6	2.3	4.5	0.50	0.75
ZR45KC	16.4	15.4	11.6	10.5	8.2	6.5	9.6	2.3	4.5	0.50	0.88
ZR46K3	17.4	16.1	11.7	11.0	8.6	7.3	9.5	2.4	4.7	0.50	0.88
ZR46KCE-TF5	17.4	16.1	11.7	11.0	8.6	7.3	9.5	2.4	4.7	0.50	0.88
ZR46KC	17.4	16.1	11.7	11.0	8.6	7.3	9.5	2.4	4.7	0.50	0.88
ZR47K3E	16.4	15.4	11.6	10.5	8.2	6.5	9.6	2.3	4.5	0.50	0.88
ZR47K3	16.4	15.4	11.6	10.5	8.2	6.5	9.6	2.3	4.5	0.50	0.88
ZR47KCE	16.4	15.4	11.6	10.5	8.2	6.5	9.6	2.3	4.5	0.50	0.88
ZR47KC	16.4	15.4	11.6	10.5	8.2	6.5	9.6	2.3	4.5	0.50	0.88
ZR48K3E	16.4	15.4	11.6	10.5	8.2	6.5	9.6	2.3	4.5	0.50	0.88
ZR48K3	16.4	15.4	11.6	10.5	8.2	6.5	9.6	2.3	4.5	0.50	0.88
ZR48KCE	16.4	15.4	11.6	10.5	8.2	6.5	9.6	2.3	4.5	0.50	0.88
ZR48KC	16.4	15.4	11.6	10.5	8.2	6.5	9.6	2.3	4.5	0.50	0.88
ZR49K3E	17.4	16.1	11.7	11.0	8.6	7.3	9.5	2.4	4.7	0.50	0.88
ZR49K3	17.4	16.1	11.7	11.0	8.6	7.3	9.5	2.4	4.7	0.50	0.88
ZR49KCE-TFD	17.4	16.1	11.7	11.0	8.6	7.3	9.5	2.4	4.7	0.50	0.88
ZR49KC	17.4	16.1	11.7	11.0	8.6	7.3	9.5	2.4	4.7	0.50	0.88
ZR54K3E	17.4	16.1	11.7	11.0	8.6	7.3	9.5	2.4	4.7	0.50	0.88
ZR54K3	17.4	16.1	11.7	11.0	8.6	7.3	9.5	2.4	4.7	0.50	0.88
ZR54KC	17.4	16.1	11.7	11.0	8.6	7.3	9.5	2.4	4.7	0.50	0.88
ZR57K3E	17.4	16.1	11.7	11.0	8.6	7.3	9.5	2.4	4.7	0.50	0.88
ZR57K3	17.4	16.1	11.7	11.0	8.6	7.3	9.5	2.4	4.7	0.50	0.88
ZR57KCE-TFD	17.4	16.1	11.7	11.0	8.6	7.3	9.5	2.4	4.7	0.50	0.88
ZR57KC	17.4	16.1	11.7	11.0	8.6	7.3	9.5	2.4	4.7	0.50	0.88
ZR61K3E	17.4	16.1	11.7	11.0	8.6	7.3	9.5	2.4	4.7	0.50	0.88
ZR61K3	17.4	16.1	11.7	11.0	8.6	7.3	9.5	2.4	4.7	0.50	0.88
ZR61KCE	17.4	16.1	11.7	11.0	8.6	7.3	9.5	2.4	4.7	0.50	0.88
ZR61KC	17.4	16.1	11.7	11.0	8.6	7.3	9.5	2.4	4.7	0.50	0.88
ZR67KC-PFV	17.4	16.1	11.7	11.0	8.6	7.3	9.5	2.4	4.7	0.50	0.88
ZR68KCE-TFD	17.4	16.1	11.7	11.0	8.6	7.3	9.5	2.4	4.7	0.50	0.88
ZR68KC	17.4	16.1	11.7	11.0	8.6	7.3	9.5	2.4	4.7	0.50	0.88
ZR72KCE	17.4	16.1	11.7	11.0	8.6	7.3	9.5	2.4	4.7	0.50	0.88
ZR72KC	17.4	16.1	11.7	11.0	8.6	7.3	9.5	2.4	4.7	0.50	0.88
ZR81KCE	17.6	16.3	11.7	11.0	8.6	7.3	9.5	2.4	4.7	0.75	0.88
ZR81KC	17.6	16.3	11.7	11.0	8.6	7.3	9.5	2.4	4.7	0.75	0.88

Figure 7



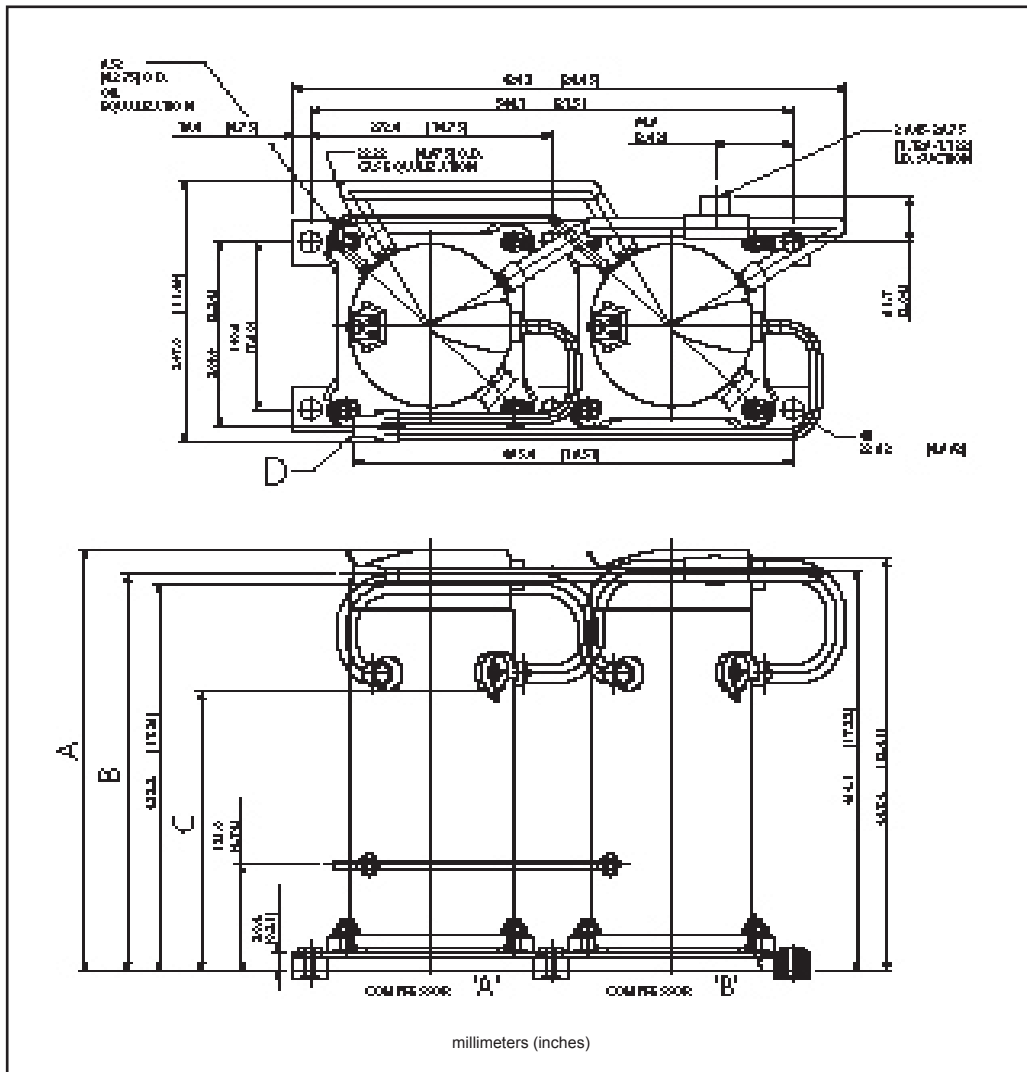
Models	A	B	C	D	E
ZB50KC	18.8	17.6	3.7	8.0	1.3
ZB58KC	18.8	17.6	3.7	8.0	1.3
ZB66KC	21.0	19.7	4.8	9.6	1.4
ZB76KC	21.0	19.7	4.8	9.6	1.4
ZB88KC	21.0	19.7	4.8	9.6	1.4
ZP120KCE	21.0	19.7	4.8	9.6	1.4
ZR108KC	21.0	19.7	4.8	9.6	1.4
ZR108KCE	21.0	19.7	4.8	9.6	1.4
ZR125KC	21.0	19.7	4.8	9.6	1.4
ZR125KCE	21.0	19.7	4.8	9.6	1.4
ZR144KC	21.0	19.7	4.8	9.6	1.4
ZR84KC	18.8	17.6	3.8	8.0	1.3
ZR84KCE	18.8	17.6	3.8	8.0	1.3
ZR94KC	18.8	17.6	3.8	8.0	1.3
ZR94KCE	18.8	17.6	3.8	8.0	1.3

Figure 8



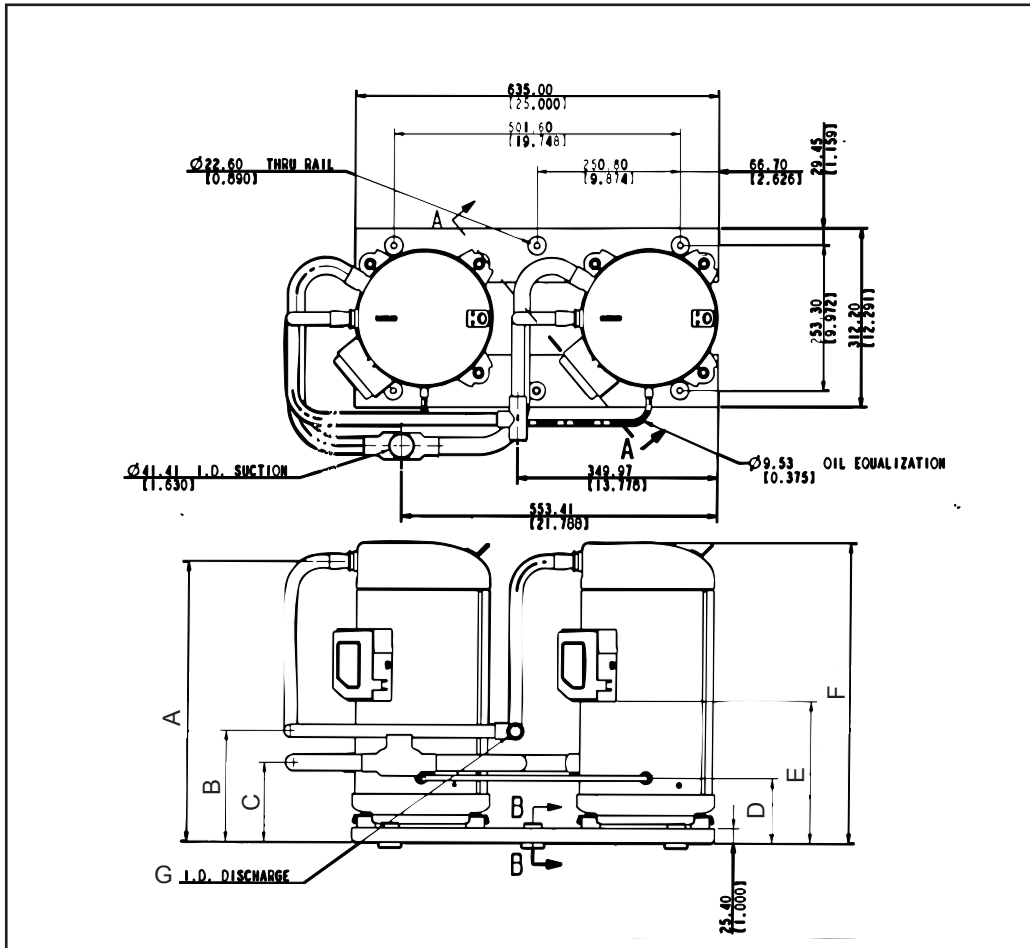
Models	A	H
ZR90K3	19.6	21.2
ZR16M3	19.2	21.5
ZR19M3	21.5	23.3
ZR11M3	19.6	21.2
ZR11M3E	19.6	21.2
ZR12M3	19.6	21.2
ZR12M3E	19.6	21.2
ZR16M3E	19.2	21.5
ZR19M3E	21.5	23.3
ZR90K3E	19.6	21.2

Figure 9



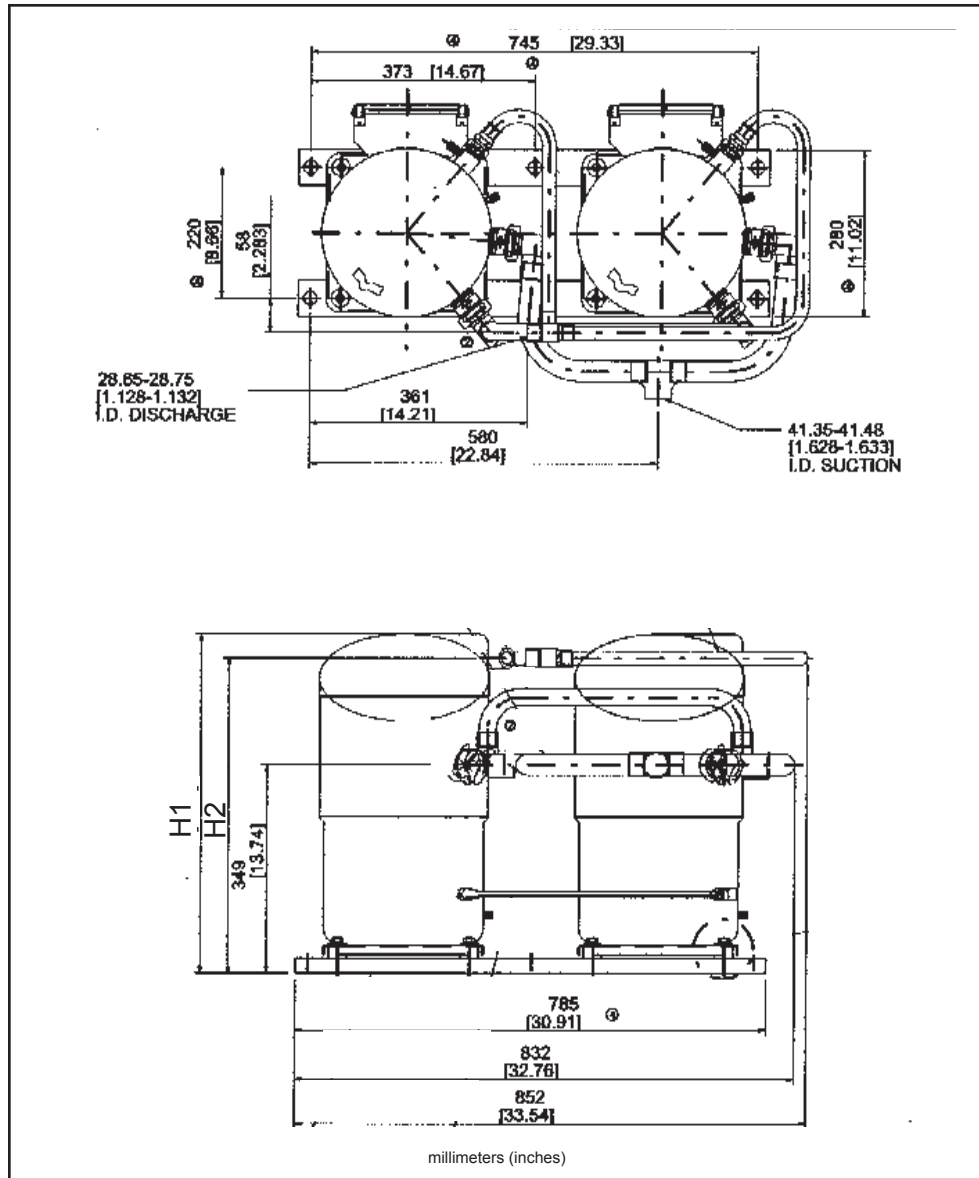
Models	A	B	C	D
ZRT108K3	18.8	17.7	10.8	0.75
ZRT114K3	18.8	17.7	10.8	0.75
ZRT122K3	18.8	17.7	10.8	0.75
ZRT136KC	18.8	17.7	10.8	0.75
ZRT144KC	18.8	17.7	10.8	0.75
ZRT162KC	19.1	17.9	10.8	1.13
ZRT92K3	18.8	17.7	10.8	0.75
ZRT98K3	18.8	17.7	10.8	0.75

Figure 10



Models	A	B	C	D	E	F	G
ZRT250KC	21.5	8.6	6.6	5.0	11.3	22.7	1.38
ZRT188KC	19.3	7.7	5.5	4.5	9.7	20.6	1.13

Figure 11



Models	H1	H2
ZZ18M3	22.4	20.8
ZZ21M3	22.4	20.8
ZZ22M3	22.4	20.8
ZZ24M3	22.4	20.8
ZZ28M3	22.4	20.8
ZZ32M3	22.4	20.8
ZZ38M3	24.6	22.7

Electrical Components

Model	Start Capacitor			Run Capacitor			Relay
	Part Number	MFD	Volts	Part Number	MFD	Volts	
ZB15KA-PFV	914-0036-03	88 - 106	330	914-0037-12	40	370	940-0001-79
ZB19KA-PFV	914-0036-03	88 - 106	330	914-0037-36	45	370	940-0001-79
ZB21KA-PFV	914-0036-03	88 - 106	330	914-0037-40	50	370	940-0001-79
ZB26KA-PFV	914-0036-03	88 - 106	330	914-0037-37	60	370	940-0001-79
ZB30KA-PFV	914-0006-10	270 - 324	330	914-0037-37	60	370	940-0001-79
ZB38KA-PFV	914-0006-10	270 - 324	330	914-0037-38	80	370	940-0001-79
ZB42KA-PFV				914-0037-37	60	370	
ZF06K4E-PFV	914-0036-03	88 - 106	330	914-0037-12	40	370	940-0001-79
ZF06K4E-PFV	914-0036-03	88 - 106	330	914-0037-12	40	370	940-0001-79
ZF06K4E-PFV	914-0036-03	88 - 106	330	914-0037-12	40	370	940-0001-79
ZF08K4E-PFV	914-0036-03	88 - 106	330	914-0037-36	45	370	940-0001-79
ZF08K4E-PFV	914-0036-03	88 - 106	330	914-0037-36	45	370	940-0001-79
ZF08K4E-PFV	914-0036-03	88 - 106	330	914-0037-36	45	370	940-0001-79
ZF08K4E-PFV	914-0036-03	88 - 106	330	914-0037-36	45	370	940-0001-79
ZF08K4E-PFV	914-0036-03	88 - 106	330	914-0037-36	45	370	940-0001-79
ZF09K4E-PFV	914-0036-03	88 - 106	330	914-0037-40	50	370	940-0001-79
ZF09K4E-PFV	914-0036-03	88 - 106	330	914-0037-40	50	370	940-0001-79
ZF09K4E-PFV	914-0036-03	88 - 106	330	914-0037-40	50	370	940-0001-79
ZF09K4E-PFV	914-0036-03	88 - 106	330	914-0037-40	50	370	940-0001-79
ZF11K4E-PFV	914-0036-03	88 - 106	330	914-0037-37	60	370	940-0001-79
ZF11K4E-PFV	914-0036-03	88 - 106	330	914-0037-37	60	370	940-0001-79
ZF11K4E-PFV	914-0036-03	88 - 106	330	914-0037-37	60	370	940-0001-79
ZF13K4E-PFV	914-0006-10	270 - 324	330	914-0037-37	60	370	940-0001-79
ZF13K4E-PFV	914-0006-10	270 - 324	330	914-0037-37	60	370	940-0001-79
ZF13K4E-PFV	914-0006-10	270 - 324	330	914-0037-37	60	370	940-0001-79
ZF13K4E-PFV	914-0006-10	270 - 324	330	914-0037-37	60	370	940-0001-79
ZF13K4E-PFV	914-0006-10	270 - 324	330	914-0037-37	60	370	940-0001-79
ZF13K4E-PFV	914-0006-10	270 - 324	330	914-0037-37	60	370	940-0001-79
ZF13K4E-PFV	914-0006-10	270 - 324	330	914-0037-37	60	370	940-0001-79
ZF13K4E-PFV	914-0006-10	270 - 324	330	914-0037-37	60	370	940-0001-79
ZF13K4E-PFV	914-0006-10	270 - 324	330	914-0037-37	60	370	940-0001-79
ZF15K4E-PFV	914-0006-10	270 - 324	330	914-0037-38	80	370	940-0001-79
ZF15K4E-PFV	914-0006-10	270 - 324	330	914-0037-38	80	370	940-0001-79
ZF15K4E-PFV	914-0006-10	270 - 324	330	914-0037-38	80	370	940-0001-79
ZF15K4E-PFV	914-0006-10	270 - 324	330	914-0037-38	80	370	940-0001-79
ZF15K4E-PFV	914-0006-10	270 - 324	330	914-0037-38	80	370	940-0001-79
ZF15K4E-PFV	914-0006-10	270 - 324	330	914-0037-38	80	370	940-0001-79
ZF15K4E-PFV	914-0006-10	270 - 324	330	914-0037-38	80	370	940-0001-79
ZF15K4E-PFV	914-0006-10	270 - 324	330	914-0037-38	80	370	940-0001-79
ZP23K3E-PFV				914-0037-12	40	370	
ZP26K3E-PFV				914-0037-36	45	370	
ZP26KCE-PFV				914-0037-17	35	440	
ZP32K3E-PFV				914-0037-36	45	370	
ZP32KCE-PFV				914-0037-12	40	370	
ZP36K3E-PFV				914-0037-39	55	370	

Electrical Components

Model	Start Capacitor			Run Capacitor			Relay
	Part Number	MFD	Volts	Part Number	MFD	Volts	
ZP38K3E-PFV				914-0037-39	55	370	
ZP38KCE-PFV				914-0037-18	40	440	
ZP41K3E-PFV				914-0037-37	60	370	
ZP54K3E-PFV				914-0037-38	80	370	
ZR16K4-PFV				914-0037-10	30	370	
ZR18K1-PFV				914-0037-09	25	370	
ZR18K3E-PFV				914-0037-10	30	370	
ZR18K3-PFV				914-0037-10	30	370	
ZR18K4-PFV				914-0037-11	35	370	
ZR22K3E-PFV				914-0037-36	45	370	
ZR22K3-PFV				914-0037-36	45	370	
ZR22K4-PFV				914-0037-11	35	370	
ZR23K1-PFV				914-0037-10	30	370	
ZR24K3E-PFV				914-0037-12	40	370	
ZR24K3-PFV				914-0037-12	40	370	
ZR24K4-PFV				914-0037-11	35	370	
ZR26K1-PFV				914-0037-11	35	370	
ZR26K3E-PFV				914-0037-12	40	370	
ZR26K3-PFV				914-0037-12	40	370	
ZR26KC-PFV				914-0037-16	30	440	
ZR28K1-PFV				914-0037-11	35	370	
ZR28K3E-PFV				914-0037-36	45	370	
ZR28K3-PFV				914-0037-36	45	370	
ZR28KC-PFV				914-0037-17	35	440	
ZR30K3E-PFV				914-0037-36	45	370	
ZR30K3-PFV				914-0037-36	45	370	
ZR30KC-PFV				914-0037-11	35	370	
ZR32K3E-PFV				914-0037-36	45	370	
ZR32K3-PFV				914-0037-36	45	370	
ZR32KC-PFV				914-0037-17	35	440	
ZR34K1-PFV				914-0037-17	35	440	
ZR34K3E-PFV				914-0037-40	50	370	
ZR34K3-PFV				914-0037-40	50	370	
ZR34KC-PFV				914-0037-12	40	370	
ZR36K3E-PFV				914-0037-40	50	370	
ZR36K3-PFV				914-0037-40	50	370	
ZR36KC-PFV				914-0037-18	40	440	
ZR40K1-PFV				914-0037-17	35	440	
ZR40K3E-PFV				914-0037-39	55	370	
ZR40K3-PFV				914-0037-39	55	370	
ZR40KC-PFV				914-0037-18	40	440	
ZR42K3E-PFV				914-0037-37	60	370	
ZR42K3-PFV				914-0037-37	60	370	

Electrical Components

Model	Start Capacitor			Run Capacitor			Relay
	Part Number	MFD	Volts	Part Number	MFD	Volts	
ZR42KC-PFV				914-0037-18	40	440	
ZR45KC-PFV				914-0037-40	50	370	
ZR46K3-PFV				914-0037-37	60	370	
ZR47K3E-PFV				914-0037-22	60	440	
ZR47K3-PFV				914-0037-22	60	440	
ZR47KC-PFV				914-0037-40	50	370	
ZR48K3E-PFV				914-0037-22	60	440	
ZR48K3-PFV				914-0037-22	60	440	
ZR48KCE-PFV				914-0037-18	40	440	
ZR48KC-PFV				914-0037-18	40	440	
ZR49K3-PFV				914-0037-37	60	370	
ZR49KCE-PFV				914-0037-19	45	440	
ZR49KC-PFV				914-0037-19	45	440	
ZR54K3-PFV				914-0037-38	80	370	
ZR54KC-PFV				914-0037-37	60	370	
ZR57K3-PFV				914-0037-38	80	370	
ZR57KC-PFV				914-0037-37	60	370	
ZR61K3-PFV				914-0037-38	80	370	
ZR61KC-PFV				914-0037-37	60	370	
ZR67KC-PFV				914-0037-37	60	370	
ZS15K4E-PFV	914-0036-03	88 - 106	330	914-0037-12	40	370	940-0001-79
ZS15K4E-PFV	914-0036-03	88 - 106	330	914-0037-12	40	370	940-0001-79
ZS19K4E-PFV	914-0036-03	88 - 106	330	914-0037-36	45	370	940-0001-79
ZS19K4E-PFV	914-0036-03	88 - 106	330	914-0037-36	45	370	940-0001-79
ZS19K4E-PFV	914-0036-03	88 - 106	330	914-0037-36	45	370	940-0001-79
ZS21K4E-PFV	914-0036-03	88 - 106	330	914-0037-40	50	370	940-0001-79
ZS21K4E-PFV	914-0036-03	88 - 106	330	914-0037-40	50	370	940-0001-79
ZS21K4-PFV	914-0036-03	88 - 106	330	914-0037-40	50	370	940-0001-79
ZS26K4E-PFV	914-0036-03	88 - 106	330	914-0037-37	60	370	940-0001-79
ZS26K4E-PFV	914-0036-03	88 - 106	330	914-0037-37	60	370	940-0001-79
ZS30K4E-PFV	914-0006-10	270 - 324	330	914-0037-37	60	370	940-0001-79
ZS30K4E-PFV	914-0006-10	270 - 324	330	914-0037-37	60	370	940-0001-79
ZS30K4E-PFV	914-0006-10	270 - 324	330	914-0037-37	60	370	940-0001-79
ZS30K4-PFV	914-0006-10	270 - 324	330	914-0037-37	60	370	940-0001-79
ZS38K4E-PFV	914-0006-10	270 - 324	330	914-0037-38	80	370	940-0001-79
ZS38K4E-PFV	914-0006-10	270 - 324	330	914-0037-38	80	370	940-0001-79
ZS38K4E-PFV	914-0006-10	270 - 324	330	914-0037-38	80	370	940-0001-79

Bill of Material (BOM) Description

ZB, ZF, ZS Models

OEM BOM	Top Cap Well	Replacement BOM	Replacement BOM Description	Used On
230	No	931	Top Cap Well, Flag Terminal, Stub Connection, Mounting Parts, Sight Glass and Oil Access Fitting	ZB and ZS Models
231	Yes	931	Top Cap Well, Flag Terminal, Stub Connection, Mounting Parts, Sight Glass and Oil Access Fitting	ZF Models
236	Yes	931	Top Cap Well, Flag Terminal, Stub Connection, Mounting Parts, Sight Glass and Oil Access Fitting	ZF Models
240	No	961	Top Cap Well, Flag Terminal, Rotalock Connection, Mounting Parts, Sight Glass and Oil Access Fitting	ZB and ZS Models
241	Yes	961	Top Cap Well, Flag Terminal, Rotalock Connection, Mounting Parts, Sight Glass and Oil Access Fitting	ZF Models
246	Yes	961	Top Cap Well, Flag Terminal, Rotalock Connection, Mounting Parts, Sight Glass and Oil Access Fitting	ZF Models
250	No	931	Top Cap Well, Screw Terminal, Stub Connection, Mounting Parts, Sight Glass and Oil Access Fitting	ZB and ZS Models
251	Yes	931	Top Cap Well, Screw Terminal, Stub Connection, Mounting Parts, Sight Glass and Oil Access Fitting	ZF Models
256	Yes	931	Top Cap Well, Screw Terminal, Stub Connection, Mounting Parts, Sight Glass and Oil Access Fitting	ZF Models
261	Yes	961	Top Cap Well, Screw Terminal, Rotalock Connection, Mounting Parts, Sight Glass and Oil Access Fitting	ZF Models
265	No	961	Top Cap Well, Screw Terminal, Rotalock Connection, Mounting Parts, Sight Glass and Oil Access Fitting	ZB and ZS Models
266	Yes	961	Top Cap Well, Screw Terminal, Rotalock Connection, Mounting Parts, Sight Glass and Oil Access Fitting	ZF Models
551	No	951	Top Cap Well, Screw Terminal, Rotalock Connection, Sight Glass and Oil Access Fitting	ZB and ZS Models

ZB, ZF, ZS Models

Service BOM	Top Cap Well	Replacement BOM	Replacement BOM Description	Used On
930	No	931	Top Cap Well, Flag Terminal, Stub Connection, Mounting Parts, Sight Glass and Oil Access Fitting	ZB, ZF, and ZS Models
930	Yes	931	Top Cap Well, Flag Terminal, Stub Connection, Mounting Parts, Sight Glass and Oil Access Fitting	ZB, ZF, and ZS Models
950	No	961	Top Cap Well, Flag Terminal, Rotalock Connection, Mounting Parts, Sight Glass and Oil Access Fitting	ZB, ZF, and ZS Models
950	Yes	961	Top Cap Well, Flag Terminal, Rotalock Connection, Mounting Parts, Sight Glass and Oil Access Fitting	ZB, ZF, and ZS Models
930, 935	No	931	Top Cap Well, Screw Terminal, Stub Connection, Sight Glass and Oil Access Fitting	ZB, ZF, and ZS Models
930, 935	Yes	931	Top Cap Well, Screw Terminal, Stub Connection, Sight Glass and Oil Access Fitting	ZB, ZF, and ZS Models
950, 965	Yes	961	Top Cap Well, Screw Terminal, Rotalock Connection, Mounting Parts, Sight Glass and Oil Access Fitting	ZB, ZF, and ZS Models
950, 965	No	961	Top Cap Well, Screw Terminal, Rotalock Connection, Mounting Parts, Sight Glass and Oil Access Fitting	ZB, ZF, and ZS Models
950	No	951	Screw Terminal, Rotalock Connection, Sight Glass and Oil Access Fitting	ZB, ZF, and ZS Models

Bill of Material (BOM) Description

ZP, ZR, ZZ Models

OEM BOM	Replace With	Used On	Service BOM Description
230	930	ZR18 - ZR46, ZR49 - ZR68, ZP23 -ZP54, ZP120	Terminal Cover, Mounting Parts, Flag Terminal Kit
235	935	ZR47	Terminal Cover, Mounting Parts, Flag Terminal Kit
250	950	ZR72 - ZR144, ZP54	Terminal Cover, T-Block, Mounting Parts
561, 568, 522, & 551	961	ZR16M, ZR19M, ZR90	Mounting Parts, Rotalocks, 24 Volt Module Installed, 120 Volt Module Included, Stub Tube, Rotalock to Sweat Adapters
540 & 570	970	ZR12M, ZR16M, ZR19M, ZR90	Tandem-Single Compressor, Rotalocks, 24 Volt Module Installed, 120 Volt Module Included, Mounting Parts
230	930	ZRT (92K3, 122KC, &144KC) Tandems	Terminal Cover, T-Block, Mounting Parts, Sweat Connections, Quick Connect Electrical Terminals
250	950	ZRT (92K3, 122KC, &144KC) Tandems	Terminal Cover, T-Block, Mounting Parts, Sweat Connections, Screw Terminals
252	952	ZZ (18 & 24) M3 Tandems	Mounting Parts, Sweat Connections, Suction Elbow Up, 24 Volt Module
241 & 271	970	ZZ (18 & 24) M3 Tandems	Mounting Parts, Sweat Connections, Suction Elbow Out, 24 Volt Module Installed, 120 Volt Module Included

Note: The 24 Volt Module part number is 998-0520-04, and the 120 Volt Module part number is 998-0520-00.

Accessories

(ZB, ZF, and ZS models)

Electrical Parts

	ZF06K - ZF11K ZS15K - ZS26K ZB15K - ZB26K	ZF13K - ZF18K ZS30K - ZS45K ZB30K - ZB45K	ZF24K - ZF48K ZS56K - ZS11M ZB56K - ZB11M
Crankcase Heater - 120V, 21" Lead, (40W/70W/70W)	918-0041-01	918-0043-07	918-0036-01
Crankcase Heater - 240V, 21" Lead, (40W/70W/70W)	918-0041-00	918-0043-00	918-0036-00
Crankcase Heater - 480V, 21" Lead, (40W/70W/70W)	918-0041-02	918-0043-01	918-0036-02
Crankcase Heater - 575V, 21" Lead, (40W/70W/60W)	918-0041-03	918-0043-02	918-0036-03
Crankcase Heater Enclosure Box	998-7026-00	998-7024-00	998-7015-00
Potential Relay	940-0001-79	940-0001-79	N/A
Oil Level Control	998-0157-00	998-0157-00	998-0157-00
Oil Level Control Ref Dwg	495-3803-00	495-3803-00	495-3803-00
Discharge Line Thermostat - 1/2", 12" Lead	998-0540-00	998-0540-00	N/A*
Discharge Line Thermostat - 1/2", 12" Lead (W/Alarm Lead Wire)	998-0548-00	998-0548-00	N/A*
Discharge Line Thermostat - 1/2", 36" Lead (W/Connector)	998-7022-02	998-7022-02	N/A*
Current Sensing Relay: 120V	940-0135-00	940-0135-00	N/A
Current Sensing Relay: 240V	940-0135-01	940-0135-01	N/A
Motor Protector Module	N/A	N/A	998-0547-00

* Compressor has internal discharge temperature protection.

N/A - Not Applicable

Liquid Injection Accessories

Model	Capillary Tubes			Liquid Injection Kit ⁽¹⁾		Vapor Injection Kit ⁽²⁾	
	R404A/507	R22	R134a	120V	240V	120V	240V
ZF06	998-1583-00	998-1583-00	N/A	998-7002-01	998-7002-02	998-7002-03	998-7002-04
ZF08	998-1583-00	998-1583-00	N/A	998-7002-01	998-7002-02	998-7002-03	998-7002-04
ZF09	998-1583-00	998-1583-03	998-1583-00	998-7002-01	998-7002-02	998-7002-03	998-7002-04
ZF11	998-1583-01	998-1583-03	998-1583-01	998-7002-01	998-7002-02	998-7002-03	998-7002-04
ZF13	998-1583-02	998-1583-05	998-1583-02	998-7002-01	998-7002-02	998-7002-03	998-7002-04
ZF15	998-1583-03	998-1583-06	998-1583-03	998-7002-01	998-7002-02	998-7002-03	998-7002-04
ZF18	998-1583-04	998-1586-00	998-1583-04	998-7002-01	998-7002-02	998-7002-03	998-7002-04
ZF24	998-1586-04	998-1586-00	998-1586-01	510-7002-23	510-7002-22	N/A	998-7002-05
ZF33	998-1586-01	998-1586-00	998-1586-02	510-7002-23	510-7002-22	N/A	998-7002-05
ZF40	998-1586-05	998-1586-05	N/A	510-7002-23	510-7002-22	N/A	998-7002-05
ZF48	998-1586-05	998-1586-06	N/A	510-7002-23	510-7002-22	N/A	998-7002-05

Other Parts

	ZF06K - ZF11K ZS15K - ZS26K ZB15K - ZB26K	ZF13K - ZF18K ZS30K - ZS45K ZB30K - ZB45K	ZF24K - ZF48K ZS56K - ZS11M ZB56K - ZB11M
DTC Valve (1/4" Flare)	998-0500-01	998-0500-01	N/A
Standard Mount	527-0116-00	527-0116-00	527-0159-00
Hard Mount	527-0157-00	527-0157-00	N/A
Hard Mount (Solid Steel)	N/A	N/A	527-0158-00
Rotalock Adapter Kit	998-0069-01	998-0069-00	N/A
Rotalock Service Valve Kit ⁽³⁾ (Except ZF48K, ZS11M, ZB11M)	998-5100-43	998-5100-42	998-5100-27
Rotalock Service Valve Kit ⁽³⁾ (ZF48K, ZS11M, ZB11M Only)			998-5100-38
Liquid Line Filter	013-0094-00	013-0094-00	N/A
Dual (Hi/Lo) Pressure Switch	085-7020-00	085-7020-00	
Sound Blanket	N/A	N/A	505-0637-00
Sightglass Adapter (Straight to Pipe Thread)	N/A	N/A	998-0622-00

Accessories

(ZR90K, ZR*M3 models)

Suction and Discharge Rotalock Valve Kits (Pair)

Suction Sweat	Suction Thread Size	Discharge Sweat	Discharge Thread Size	Kit Part Number	Used on
1-1/8"	1-3/4"-12	7/8"	1-1/4"-12	998-5100-17	ZR90, ZR11M-ZR16M
1-3/8"	1-3/4"-12	7/8"	1-1/4"-12	998-5100-27	ZR90, ZR11M-ZR16M
1-3/8"	2-1/4"-12	1-1/8"	1-3/4"-12	998-5100-41	ZR19M
1-5/8"	2-1/4"-12	1-1/8"	1-3/4"-12	998-5100-39	ZR19M

Suction or Discharge Rotalock Valve Kits (Single)

Line Size Sweat	Rotalock Thread Size	Non-Stick Coated Seal	Kit Part Number	Used on
7/8"	1-1/4"-12	020-0028-02	998-0510-39	ZR90K, ZR11M-ZR16M
1-1/8"	1-3/4"-12	020-0028-03	998-0510-02	ZR19M
1-3/8"	1-3/4"-12	020-0028-03	998-0510-46	ZR90K, ZR11M-ZR16M
1-5/8"	2-1/4"-12	020-0941-00	998-0510-68	ZR19M

Rotalock to Stub Tube Adapter

Thread Size	Stub Tube I.D.	Non-Stick Coated Seal	Kit Part Number	Used on
1-1/4"-12	7/8"	020-0028-02	998-0034-08	ZR90K, ZR11M-ZR16M
1-1/4"-12	1-1/8"	020-0028-02	998-0034-09	ZR90K, ZR11M-ZR16M
1-3/4"-12	1-1/8"	020-0028-03	998-0034-10	ZR90K, ZR11M-ZR19M
1-3/4"-12	1-3/8"	020-0028-03	998-0034-13	ZR90K, ZR11M-ZR19M
2-1/4"-12	1-3/8"	020-0941-00	998-0034-11	ZR19M
2-1/4"-12	1-5/8"	020-0941-00	998-0034-12	ZR19M

Stub Tube to Rotalock Adapter

Stub Tube I.D.	Thread Size	Non-Stick Coated Seal	Kit Part Number	Used on
7/8"	1-1/4"-12	020-0028-02	998-0034-02	ZR90K, ZR11M-ZR16M
1-1/8"	1-3/4"-12	020-0028-03	998-0034-03	ZR19M
1-3/8"	1-3/4"-12	020-0028-03	998-0034-04	ZR90K, ZR11M-ZR16M
1-5/8"	2-1/4"-12	020-0941-00	998-0034-06	ZR19M

Miscellaneous Parts

Description	Part Number
Terminal Block ZR16 & 19	021-0100-00
Terminal Block ⁽¹⁾ ZR90-ZR12	021-0005-00
Screws (3) - Terminal Block	100-0255-02
Terminal Box cover (plastic)	005-0892-00
Terminal Box (Plastic)	062-0229-00
Terminal Box Cover (Metal)	005-0810-00
Sight Glass Kit (with O ring)	998-0010-00
Sight Glass O Ring	020-0003-22
Suction Screen (Press Fit)	013-0092-00

(1). Part number is for compressors with a serial number of 98H and later. Use 021-0100-00 before 98G.

Accessories

(ZFH models)

Injection Parts

	Part Number	Used On
DTC Valve (Liquid Line 3/8" Sweat Tube)	998-0500-00	ZFH Models
DTC Valve (Liquid Line 1/4" Flare)	998-0500-01	ZFH Models
Removable Mesh Filter (DTC Valve)	013-0119-00	ZFH Models

Electrical and Protection Components

	Part Number	Used On
Oil Level Control	998-0157-00	ZFH Models
Discharge Line Thermostat - 1/2", 12" Lead	998-0540-00	ZFH Models
Discharge Line Thermostat - 1/2", 12" Lead (W/Alarm Lead Wire)	998-0548-00	ZFH Models
Discharge Line Thermostat - 1/2", 36" Lead (W/Connector)	998-7022-02	ZFH Models
Start Capacitor	914-0036-03	ZFH06/ZFH09
Potential Relay	940-0001-79	ZFH06/ZFH09
Run Capacitor	914-0037-12	ZFH06
Run Capacitor	914-0037-40	ZFH09

Other Components

	Part Number	Used On
STD Mount	527-0116-00	ZFH Models
Rotalock Adapter Kit (Braze to Rotalock)	998-0069-00	ZFH Models
Rotalock Service Valve Kit	998-5100-42	ZFH Models
Sound Blanket	505-0785-00	ZFH Models

Miscellaneous Information

Crankcase Heaters

Part Number	Description	Leads (inches)	Used On
918-0019-00	240 Volts/70 Watts		ZR(11-19)M3, ZR90
918-0019-01	120 Volts/70 Watts		ZR(11-19)M3, ZR90
918-0019-02	460 Volts/70 Watts		ZR(11-19)M3, ZR90
918-0019-03	575 Volts/70 Watts		ZR(11-19)M3, ZR90
918-0041-00	240 Volts/40 Watts	21	ZR(26-45, 47, 48)KC
918-0041-01	120 Volts/40 Watts	21	ZR(26-45, 47, 48)KC
918-0041-02	480 Volts/40 Watts	21	ZR(26-45, 47, 48)KC
918-0041-03	575 Volts/40 Watts	21	ZR(26-45, 47, 48)KC
918-0041-04	240 Volts/40 Watts	48	ZR(16-24)KC/K4, ZR(26-45, 47, 48)KC
918-0041-05	480 Volts/40 Watts	48	ZR(26-45, 47, 48)KC
918-0041-05	480 Volts/40 Watts	48	ZR(16-24)KC/K4
918-0042-00	240 Volts/40 Watts	24	ZR(26-45, 47, 48)KC
918-0042-00	240 Volts/40 Watts	24	ZR(16-24)KC/K4
918-0042-02	240 Volts/80 Watts	24	ZR(46, 49-61)K3, ZR(46, 49-81)KC
918-0042-03	480 Volts/40 Watts	24	ZR(26-45, 47, 48)KC
918-0042-03	480 Volts/40 Watts	24	ZR(16-24)KC/K4
918-0043-00	240 Volts/70 Watts	21	ZR(46, 49-61)K3, ZR(46, 49-81)KC
918-0043-01	480 Volts/70 Watts	21	ZR(46, 49-61)K3, ZR(46, 49-81)KC
918-0043-02	575 Volts/70 Watts	21	ZR(46, 49-61)K3, ZR(46, 49-81)KC
918-0043-04	240 Volts/70 Watts	48	ZR(46, 49-61)K3, ZR(46, 49-81)KC
918-0043-05	480 Volts/70 Watts	48	ZR(46, 49-61)K3, ZR(46, 49-81)KC
918-0043-06	575 Volts/70 Watts	48	ZR(46, 49-61)K3, ZR(46, 49-81)KC
918-0043-07	120 Volts/70 Watts	48	ZR(46, 49-61)K3, ZR(46, 49-81)KC
918-0043-08	400 Volts/70 Watts	48	ZR(46, 49-61)K3, ZR(46, 49-81)KC
918-0047-00	120 Volts/90 Watts	48	ZR(84-144)KC
918-0047-01	240 Volts/90 Watts	48	ZR(84-144)KC
918-0047-02	480 Volts/90 Watts	48	ZR(84-144)KC
918-0047-03	575 Volts/90 Watts	48	ZR(84-144)KC

Mounting Kit

Part Number	Used On
527-0044-12	ZR(16-24)KC/K4
527-0116-00	ZR(18-61)K3, ZR(26-144)KC, ZP(23-41)K3E
527-0150-00	ZRT(92-122)K3, ZRT(136-162)KC
527-0165-00	ZRT(168-250)KC, ZZ(18-38)M3
527-0159-00	ZR90K3, ZR(11-19)M3

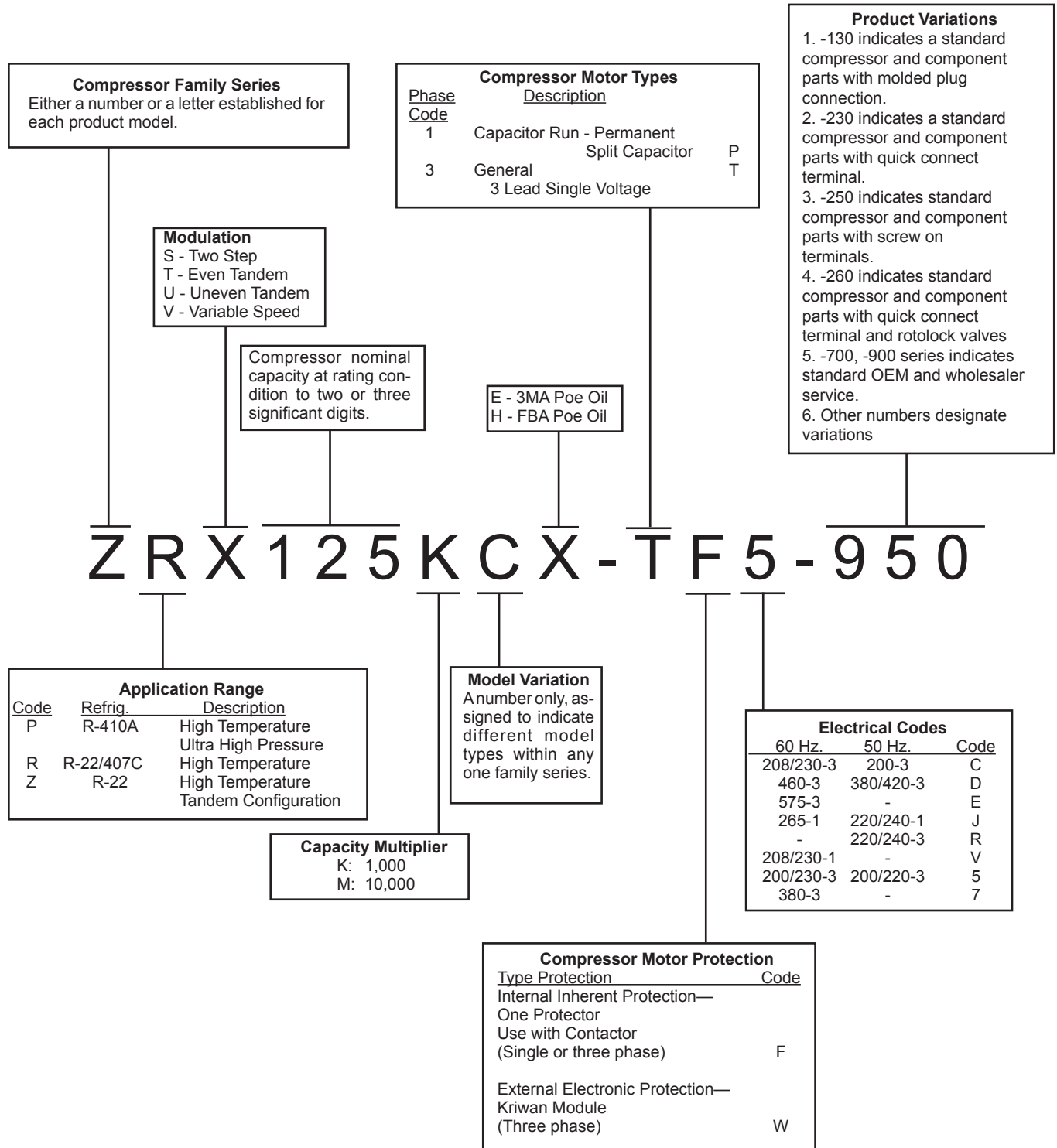
Single Compressor Replacements for Tandems

Tandem Model	Single Compressor Model
ZZ18M3	ZR90K3
ZZ22M3	ZR11M3
ZZ24M3	ZR12M3
ZZ32M3	ZR16M3
ZZ38M3	ZR19M3

Shipping Weights

Shipping Wt. (lbs.)	Description
40	ZFH09K4E-TF5
48	ZR24KC-PFV, ZR18KC-PFV, ZR22KC-PFV, ZR16K4-PFV, ZR16KC-PFV, ZR16K1-PFV
53	ZR26K3E-PFV, ZR26K3E-TF5, ZR26K3-T, ZR26KC-PFV, ZR28K3E, ZR23K1-PFV, ZR26K1-PFV, ZR28K1-PFV
60	ZR18K3E-PFV, ZR22K4-PFV, ZR24K3-PFV, ZR24K4-PFV, ZR30K3-T, ZR34K3E, ZR36K3-TF5, ZR40K3E, ZR18K3-PFV, ZR34K1-PFV, ZR40K1-PFV
63	ZP26K3E-TF5, ZP32K3E-T, ZR22K3-PFV, ZR24K3E-PFV, ZR24K3E-TF5, ZR24K3-TFD, ZR28K3-TF5, ZR28KC-PFV, ZR30K3E, ZR30K3-PFV, ZR30KC-PFV, ZR32K3E, ZR32K3-PFV, ZR32KC-PFV, ZR36K3-TFD, ZR40K3-TFD, ZR42K3-T, ZR47KC-TF5
66	ZB15KA-TF5, ZB19KA-TFD, ZP23K3E-PFV, ZP26K3E-PFV, ZP41K3E-T, ZR18K4-PFV, ZR22K3-TFD, ZR28K3-PFV, ZR47K3-TF5, ZR48KC-TF5
69	ZF11K4E-PFV, ZF11K4E-TF5, ZP32K3E, ZR32K3-TF5, ZR34K3, ZR34KC-PFV, ZR36K3E, ZR36K3-PFV, ZR36KC-PFV, ZR40KC-PFV, ZR42KC-PFV, ZR45KC-TF5, ZR48KC-TFD
72	ZR42K3E, ZR46K3-PFV, ZR47K3-TFD, ZR47KC-PFV, ZP36K3E-PFV, ZP38K3E-PFV, ZP41K3E-PFV, ZR45KC-PFV, ZR40K3-PFV, ZR40K3-TF5, ZR42K3-PFV, ZR48KC-PFV, ZR47K3E-T, ZR48K3E-PFV, ZR48KCE-PFV
76	ZR48K3, ZB15KA-TFD, ZB21KA-TF5, ZB26KA-TFD, ZFH18K4E-TF5, ZR48K3E-T, ZR48KCE-T
80	ZR22K3E-PFV, ZR46K3-TFD, ZR46KC-TFD, ZR47K3-PFV, ZR49KCE-T, ZR49KC-T, ZR54KC-TF5, ZR61KCE, ZR61KC-TFD, ZS15K4E-PFV, ZS26K4E-TF5
84	ZR57K3E-TFD, ZF06K4-TFD, ZP54K3E-T, ZR49K3-TFD, ZR46KC-TF5, ZR54K3-TFD
87	ZR49K3-TF5, ZR57K3E-TF5, ZR57KCE-TFD, ZR57KC-TFD, ZR61K3E-TF5, ZR61K3, ZR68KC-TF5, ZR72KCE, ZR72KC-TFD, ZS30K4E-TF5, ZS38K4E-PFV, ZFH06K4E
90	ZR54KC-PFV, ZS19K4E-TF5, ZS21K4E-PFV, ZS30K4E-TFD, ZR49KCE-PFV, ZR67KC-PFV, ZB30KA-TFD, ZB38KA-TF5, ZR81KCE, ZR81KC-TF5, ZF15K4E-TFD
93	ZB19KA-TF5, ZB21KA-TFD, ZB38KA-TFD, ZB45KA-TF5, ZF06K4E-PFV, ZF06K4E-TFD, ZF08K4E, ZF09K4E-TFD, ZF11K4E-TFD, ZF18K4E-TF5, ZR57K3-TF5, ZR57KC-PFV, ZS38K4E-TFD
96	ZF06K4E-TF5, ZF13K4E-PFV, ZF15K4E-TF5, ZF18K4E-TFD, ZR49K3E-TFD, ZR54K3E-TF5, ZR54K3-PFV, ZR57K3-PFV, ZS15K4E-T, ZS21K4E-TFD, ZS26K4-TF5, ZS30K4E-PFV, ZS45K4E-TF5
99	ZS19K4E-PFV, ZS11M4E-TWC, ZB26KA-TF5, ZB30KA-TF5, ZP54K3E-PFV, ZB11MA-TWC, ZFH18K4E-TFD
102	ZS21K4E-TF5, ZR81KC-TFD, ZS26K4E-PFV, ZR72KC-TF5, ZS38K4E-TF5, ZF09K4E-PFV, ZF09K4E-TF5, ZF13K4E-TF5
106	ZB45KA-TFD, ZS45K4E-TFD, ZF13K4E-TFD, ZS19K4E-TFD
120	ZF15K4E-PFV
127	ZR94KC-TFD, ZR84KC-TFD
133	ZR108KC-TF5, ZR94KC-TF5, ZR94KCE, ZR84KC-TF5, ZB58KC-T
139	ZS26K4E-TFD, ZF48K4E-TWC, ZP120KCE-TFD
143	ZB66KC-TF5, ZR125KCE-TF5, ZR125KC-TF5, ZR144KC
158	ZB50KC-TFD
169	BRD2-0750, BRE2-0750, BRE4-0750, BRG2-0900, QR85K1-TFC
174	ZB66KC-TFD, BRH2-1000, BRK2-1200, QR11M1, QR12M1, QR15M1, QR85K1-TFD, QR90K1
197	ZRT98K3-TF5, ZR90K3-TWC, ZRT136KC-TFD
202	ZR11M3-TWC, ZRT108K3-TF5, ZRT122K3-T, ZRT136KC-TF5
207	ZRT162KC-TFD
214	ZRT108K3-TFD, ZRT92K3-TFD, ZRT98K3-TFD, ZR11M3E-TWC, ZR12M3-TWD, ZR90K3E-TWD, ZR90K3-TWD, ZS56K4E-TWD, ZR16M3E-TWC, ZR16M3-TWC, ZR19M3E-TWD
218	ZS56K4E-TWC, ZR12M3-TWC
223	ZR12M3E, ZRT122K3-PFV, ZR11M3-TWD, ZR16M3-TWD
227	ZS92K4E-TWC, ZS75K4E-TWD, ZF24K4E-TWD, ZF40K4E-TWD
233	ZS92K4E-TWD, ZF24K4E-TWC, ZR16M3E-TWD
237	ZF33K4E-TWD, ZF40K4E-TWC, ZF48K4E-TWD, ZS75K4E-TWC, ZR11M3E-TWD, ZB56KA-TWC, ZB68KA, ZB75KA, ZB11MA-TWD
244	ZRT92K3-PFV, ZB92KA-TWD
249	ZR19M3-TWC, ZB56KA-TWD, ZB92KA-TWC, ZF33K4E-TWC
262	ZS11M4E-TWD, ZR19M3-TWD
281	ZRT188KC
300	ZRT250KC-TFD
362	ZRT250KC-TF5
413	ZRT162KC-TF5
473	ZZ18M3
483	ZZ22M3-TWC
490	ZZ21M3, ZZ22M3-TWD, ZZ28M3-TWC
497	ZZ32M3-TWC, ZZ24M3
510	ZZ28M3-TWD, ZZ32M3-TWD
565	ZZ38M3-TWD

Model Number BTUH Nomenclature



Tecumseh Nomenclature

AE	A	4	4	40	Y	XA
Compressor Family	Release Variant Generation	Application	Number of Digits In Rated BTU	First Two Digits of Rated BTU	Refrigerants	Voltage

AE
AG
AH
AJ
AK
AN
AV
AW
AZ
RG
RK
SA
SF
TP

A = 1st
B = 2nd
C = 3rd
ETC.

In this example (4) total digits, with the first two (40), or 4,000 BTU capacity.

PRIMARY REFRIGERANTS
A=R12
B=R410A
E=R22
J=R502
Y=R134a
Z=R404A/
507

Primary Application Parameters		
Evap. Temp.	Rating Pt.	Motor Starting Torque
1. Low	-10 F	Normal
2. Low	-10 F	High
3. High	+45 F	Normal
4. High	+45 F	High
5. Air Cond.*	+45 F	Normal
6. Medium	+20 F	Normal
7. Medium	+20 F	High
8. Air Cond.	+49 F	Normal
9. Commercial	+20 F	High
0. Commercial	+20 F	Normal
A. Med/Low	+20 F	Normal

*Application "5" compressors when applied to units become application "4" in the unit's model number.

VOLTAGE CODES
XA= 115-60-1
XB= 230-60-1
XD= 208-230-60-1
XF= 208-230-60-3
XG= 460-60-3
XH= 575-60-3
XN=208-230-60-1
XP= 220-60-1
XT= 200-230-60-3
XU= 100-60-1
XV= 265-60-1
AB= 115-60-1

Bristol Nomenclature

1 = R12
 2 = R22
 4 = R134a
 5 = R502 (or HP81-Medium Temp. Systems)
 6 = 404A
 7 = R407C
 8 = R410A

A = 7.5 X 7.5
 B = 4.8 X 8.0
 C = 8.44 X 9.75
 D = 6.12 X 8.0
 E = 9.5 X 9.5
 F = 10.5 X 10.5
 H = 7.5 X 21.5
 J = 7.5 X 22.5
 X = Frigidaire Special

H	2	7	B	35Q	C	B	C	A
Application	Refrigerant	Special Features	Family Series	Capacity	Motor Type	Motor Protection	Electrical Characteristics	Mounting Feet Dimensions

H = High Temperature
 M = Medium Temperature
 L = Low Temperature

A = Model A
 B = Model B
 C = Scroll (<42K)
 D = Dual
 G = Model G
 R = Scroll (>42K)

A = 115/1/60
 B = 230/1/60
 C = 230-208/1/60
 D = 230-208/3/60
 E = 460/3/60
 F = 575/3/60
 G = 200/1/60
 H = 265/1/60
 L = 230-200/3/60
 M = 230-190/1/60
 P = 230-208/1/60 (Hi (No 50hz) Load 253-185v)
 T = 208/1/60
 U = 220-380/3/60
 W = 380-460/3/60
 X = 380/3/60
 Y = 230-208/3/60

Form No. 2000-46W R1 (10/06) Emerson®, Emerson. Consider It Solved™, Emerson Climate Technologies™ and the Emerson Climate Technologies™ logo are the trademarks and service marks of Emerson Electric Co. and are used with the permission of Emerson Electric Co. Copeland Scroll™ and the Copeland® brand products logo are the trademarks and service marks of Emerson Climate Technologies, Inc. All other trademarks are the property of their respective owners. Printed in the USA. © 2000 Emerson Climate Technologies, Inc. All rights reserved.

Copeland®
brand products

1675 W. Campbell Rd.
Sidney, Ohio 45365
EmersonClimate.com
(937) 498-3011