

36C Series

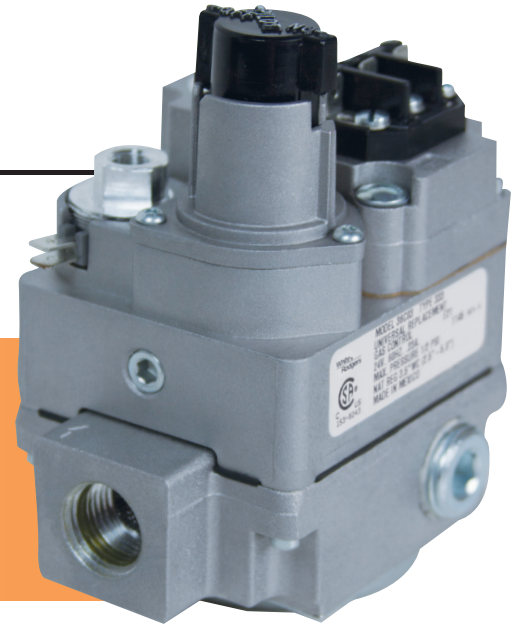
Combination Gas Valves

Standing Pilot

Single Stage

Fast Opening

Max. Capacity @ 1" PD – 280,000 BTU/HR



36C03-333
24 VAC
Standing Pilot

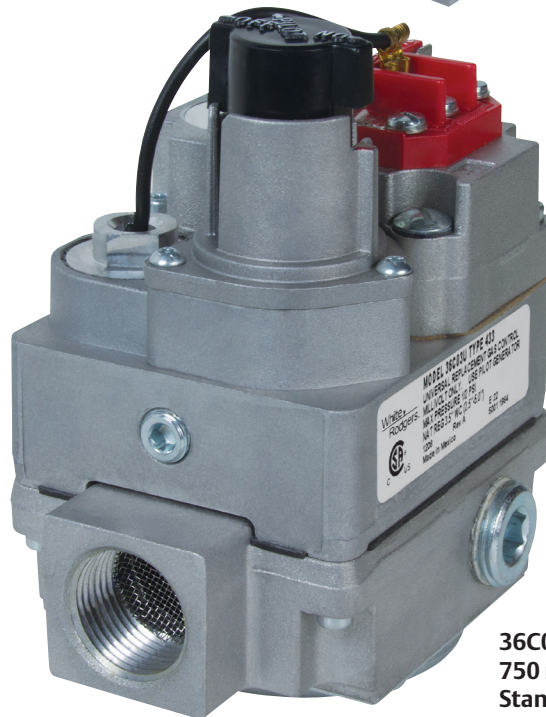
Backed with Tools to Help Specify, Sell and Install Faster

Updated Packaging Includes

- Clear application description
- Key features and specifications
- Popular Model cross reference printed on box
- QR code access for latest cross reference
- Updated installation instructions with wiring diagrams (in English, French and Spanish)

Complete Online Cross Reference

- Full cross reference for White-Rodgers and competitive gas valves



36C03U-433
750 mV
Standing Pilot

The versatile 36C Series combination gas valves cover a wide range of applications. Designed for use with standing pilot systems, it replaces hundreds of existing models in the field.

White-Rodgers is the leading manufacturer of gas valves to the OEM. When it's time to replace – replace with the same brand trusted by OEM's on their equipment!

White
Rodgers™


EMERSON
Climate Technologies

36C Series

Full Online Cross Reference



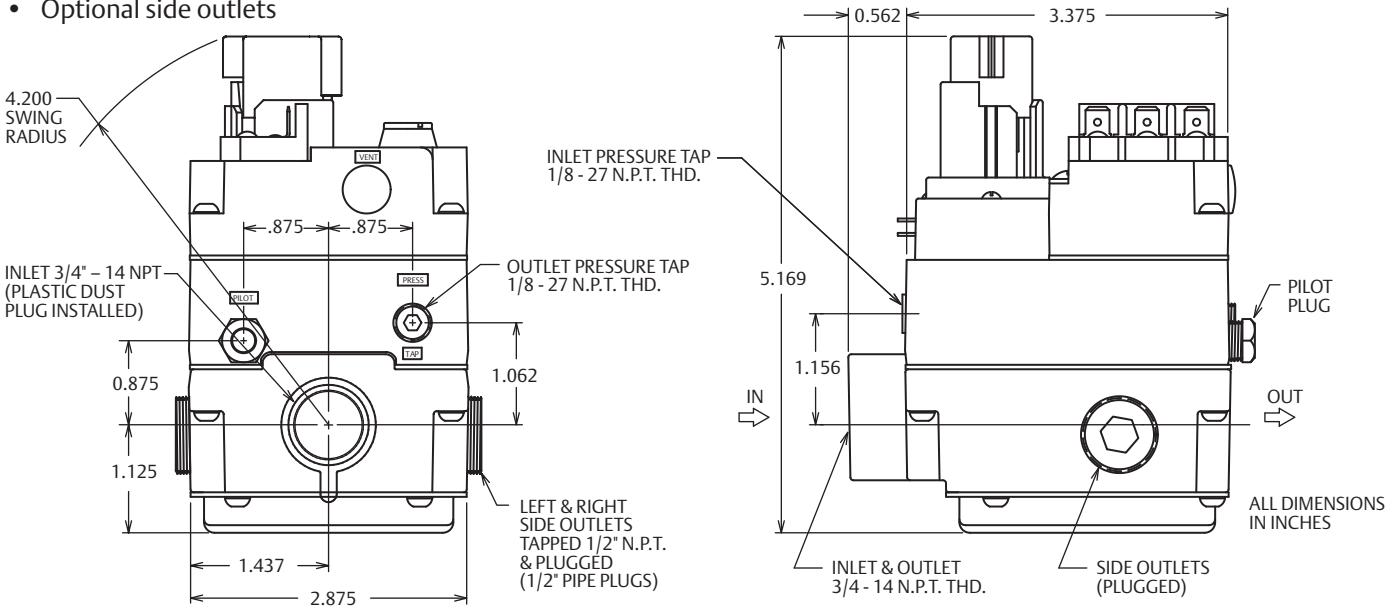
Combination Gas Valves

Features

- Convertible – natural or LP gas
- Adjustable regulator
- Inlet/outlet screens
- Line interrupter
- Pressure taps
- CSA approved
- Optional side outlets

Specifications

Electrical Rating 750 mV, 24 VAC, 0.23 Amps
 Operating Ambient Temperature -40° to 175°F (-40° to 79°C)
 Pressure Rating (max.)..... 1/2 PSI (14.0" W.C.)
 Pilot Gas Connection 1/4" compression fitting
 Pressure Tap 1/8" N.P.T.



Pipe Size (36 C)	1" PD Capacity		Valve Stages	Regulator Adjustment Range	
	BTU/HR			Nat. Gas	LP Gas
	NAT GAS 0.64 Sp. Gr. (1000 BTU/HR)	LP GAS 1.53 Sp. Gr. (2500 BTU/HR)			
1/2" x 3/4"	230,000	372,600	Single Stage	2.5" to 5.0"	7.5" to 12.0"
3/4" x 3/4"	280,000	453,600			

Model Number	Typical App.	Voltage	Type of Gas	Pipe Size	Opening Characteristics	Regulator Setting	Regulator Adjustment Range	Side Outlets	Pressure Tap	
									Inlet	Outlet
36C03-300	Standing Pilot	24 VAC	Nat./LP	1/2 x 3/4	Fast	3.5"	2.5"-5.0"	No	No	Yes
36C03-333	Standing Pilot	24 VAC	Nat./LP	1/2 x 3/4	Fast	3.5"	2.5"-5.0"	Yes	Yes	Yes
36C03-400	Standing Pilot	24 VAC	Nat./LP	3/4 x 3/4	Fast	3.5"	2.5"-5.0"	No	No	Yes
36C03-433	Standing Pilot	24 VAC	Nat./LP	3/4 x 3/4	Fast	3.5"	2.5"-5.0"	Yes	Yes	Yes
36C03U-333	Standing Pilot	750 mV	Nat./LP	1/2 x 3/4	Fast	3.5"	2.5"-5.0"	Yes	Yes	Yes
36C03U-433	Standing Pilot	750 mV	Nat./LP	3/4 x 3/4	Fast	3.5"	2.5"-5.0"	Yes	Yes	Yes