

UC36D16-DV UC36DL16-DV

CLEAN COMFORT™
INDOOR AIR ESSENTIALS

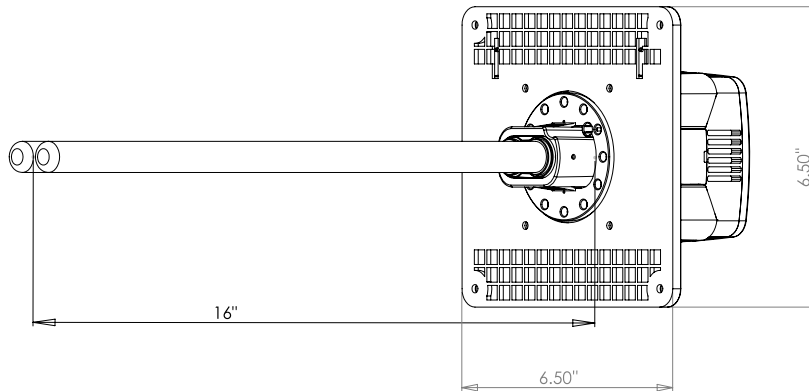
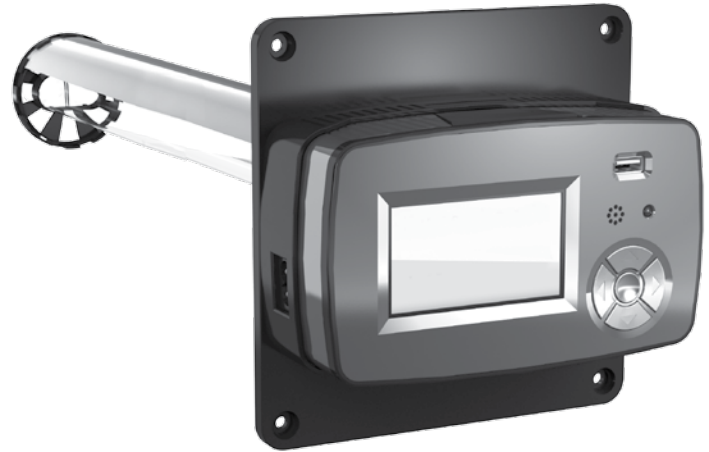
Features

- Suitable for residential furnace installations
- 16" Dual UV-C lamps
- Includes 360° Parabolic UV Reflector
- Soft Start Electronics with Variable Voltage Protection
- Dual Voltage – 120VAC or 24VAC power
- Built in UV "Smart Light" Photocell indicator
- Optional Dealer programmable LCD
- Tandem feature for multiple units
- Fast, easy, versatile installation
- Convenient Snap in/out for lamp service
- High Temp model – Up to 220°F (104°C)
- 1 year limited warranty* on lamp
- 5 year limited warranty* on all other components

5 YEAR PARTS
/ 1 YEAR LAMP
LIMITED
WARRANTY*

*Complete warranty details available from your local dealer or at www.cleancomfort.com

PREMIUM PLUS DUAL LAMP, DUAL VOLTAGE UV COIL PURIFIERS For Furnace Installations



Clean Comfort™ Dual Voltage UV Coil Purifier Specifications

POWER	MODEL DESIGNATION	HIGH TEMP	LCD	LAMP DIMENSIONS	LAMP HOURS	LAMP WATTAGE	UV $\mu\text{W}/\text{cm}^2$ at 2½ Feet
24VAC/120VAC 0.35A	UC36DL16-DV	NO	YES	16¾"L x 0.7 dia. (x2)	9000	36	224
24VAC/120VAC 0.35A	UC36D16-DV	YES	NO	16¾"L x 0.7 dia. (x2)	9000	36	224



TECHNICAL SUPPORT • 1-866-876-8044 • www.cleancomfort.com

Our continuing commitment to quality products may mean a change in specifications without notice.
©2014 • **DAIKIN NORTH AMERICA LLC** • Houston, Texas • Printed in the USA.