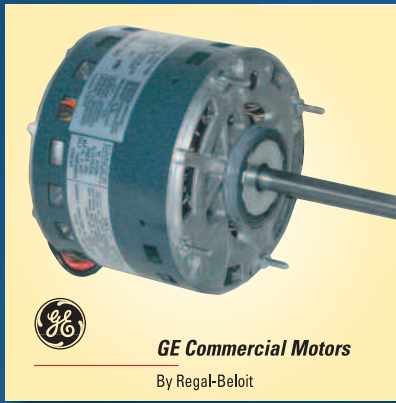


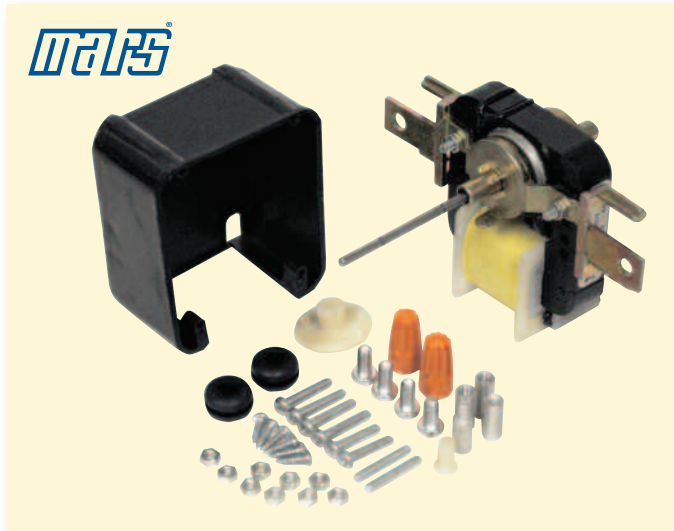
MARS[®]

Section



C-Frame - Shaded Pole Motors

MARS SERIES **909**



Super-Fit™ 3000 RPM Replacement Motors*

The MARS 90999 Super-Fit™ replacement fan motor is designed to replace virtually any refrigerator evaporator fan motor.

The MARS 90999 motor incorporates a unique new system which duplicates any OEM mounting quickly and easily. The rotor is reversible in the field for either clockwise or counterclockwise rotation.

In addition the MARS 90999 motor has the power to perform in even the largest refrigerators.

The MARS 90999 Super-Fit™ motor comes complete with mounting accessories and hardware.

Fan blades see MARS Motor Catalog page M-4.

*U.S. Patent

Specifications:

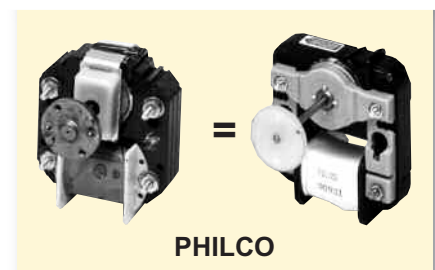
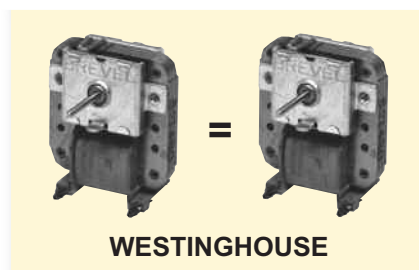
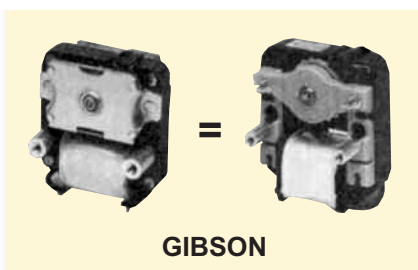
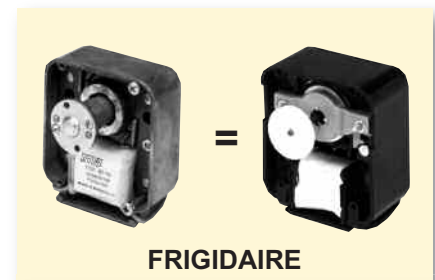
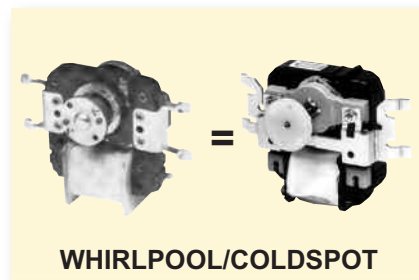
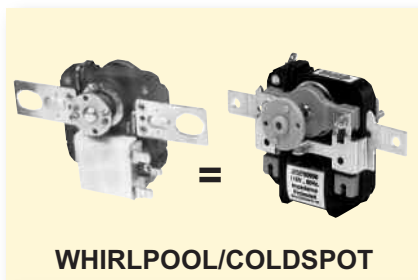
- Electrical rating: 90999, 115V, 50/60 Hertz
90998, 220V, 50/60 Hertz
- Overload protection: impedance protected
- Speed: 3000 RPM
- Shaft: 1/8 inch diameter with adaptors for 3/16 inch and hubless fans

Features:

- Reversible rotation
- Duplicates any OEM motor
- Break-off shaft
- Easy-to-use, fewer parts to assemble than competitive motors
- Stock one motor—save on inventory
- Complete with accessories and instructions

MARS NO.	DESCRIPTION	VOLTS
90999	"Super-Fit" motor with accessories	115V, 50/60 Hz
90998	"Super-Fit" motor with accessories	220V, 50/60 Hz

Replaces these popular motors...and *hundreds more!*



C-Frame - Shaded Pole Motors

MARS SERIES **909**

MARS

MARS One-On-One™ Direct Replacement Motors

MARS one-on-one™ direct replacement evaporator fan motors are engineered to install and perform like OEM motors.

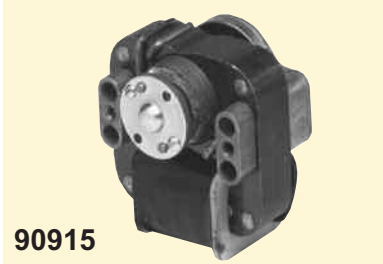
Each motor is individually boxed and clearly labeled with cross reference information.

Fan blades on page M-4.

Features:

- Direct one-on-one™ replacement
- Matches OEM mounting, rotation, and performance
- Easy, fast installation
- Individually boxed and clearly labeled
- Models for all popular motors from leading OEM suppliers

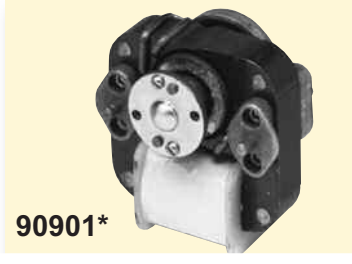
FRANKLIN



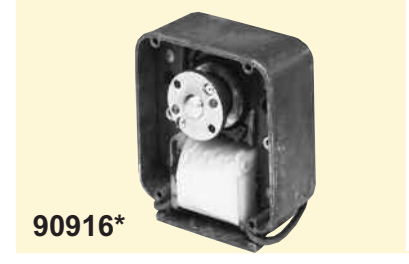
90915

FRANKLIN		One-on-One
OEM		MARS No.
No.	Universal	
F88162	90999	90915

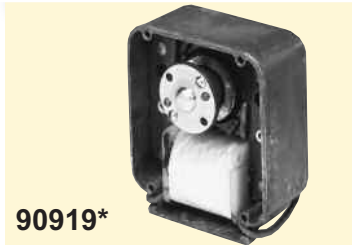
FRIGIDAIRE



90901*



90916*

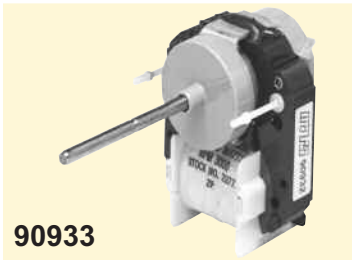


90919*



90932

FRIGIDAIRE		One-on-One
OEM		MARS No.
No.	Universal	
629965	90999	90901
1136442	90999	90932
1136914	90999	90922
1137820	90999	90933
6599388	90999	90916
6599389	90999	90919

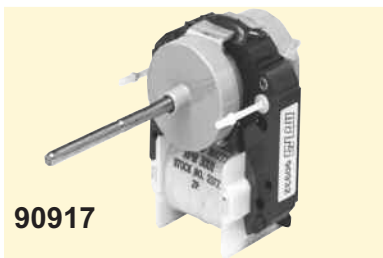


90933

GE/HOTPOINT



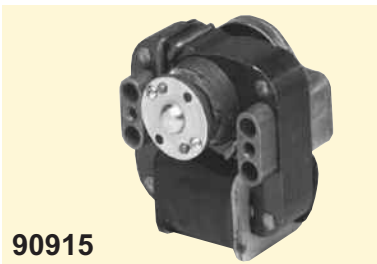
90905



90917

GE/HOTPOINT		One-on-One
OEM		MARS No.
No.	Universal	
WR60X60	90999	90905
WR60X71	90999	90905
WR60X84	90999	90905
WR60X85	90999	90917
WR60X100	90999	90917
WR60X104	90999	90917
WR60X5023	90999	90905

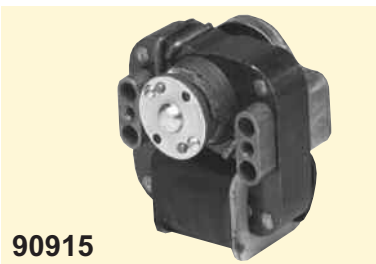
GIBSON



90915

GIBSON		One-on-One
OEM		MARS No.
No.	Universal	
K1230632	90999	90915

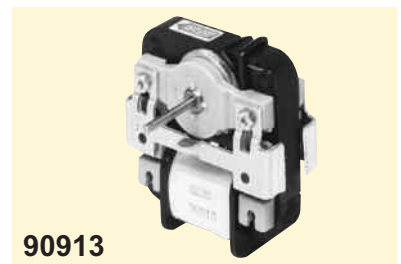
KELVINATOR



90915

KELVINATOR		One-on-One
OEM		MARS No.
No.	Universal	
F86162	90999	90915
K1230632	90999	90915

WESTINGHOUSE



90913

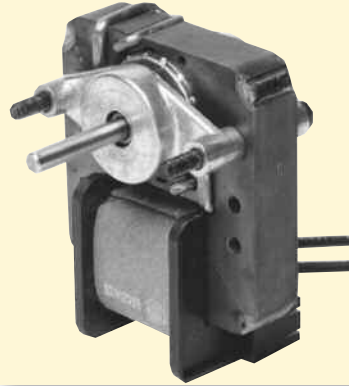
* Limited quantities available while supplies last.



The largest selection of motors, components and accessories for the HVAC/R Industry

C-Frame - Shaded Pole Motors

MARS SERIES **909**



MARS Super-Fit™ 3000 RPM Utility Motors Standard And Heavy Duty

MARS Super-Fit™ C Frame utility motors offer the widest choice of general replacement skeleton frame motors. Typical applications are small fans and blowers, bathroom ventilators, range hoods, electric heaters, hair dryers, air cleaners, humidifiers, and refrigeration equipment.

Fan blades on page M-28.

Features:

- UL and CSA recognized
- All angle mount
- Re-circulating oil system
- Compact size
- mechanically reversible

Specifications:

- Sleeve bearings, standard duty
- Ball bearings, heavy duty
- Class A insulation, standard duty
- Class B insulation
- 60 HZ

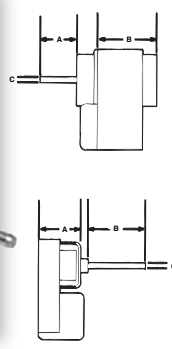
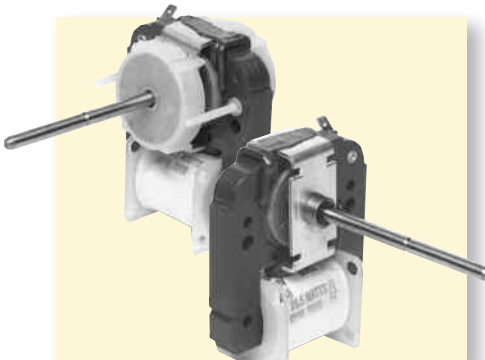
3000 Rpm - Standard Duty - Sleeve Bearings - Class A Insulation

MARS NO.	HP	VOLTAGE	STACK SIZE	SHAFT	THERMAL PROTECTION	F.L.A.	REPLACES WWG #4M
90937	1/500	115	5/16"	3/16" x 1"	Impedance	.26	067
90942	1/100	115	7/8"	3/16" x 1"	Impedance	.47	072
90935**	1/100	200-240	1"	3/16" x 2"	Impedance	0.3/0.35	071
90944	1/70	230	7/8"	3/16" x 1"	Auto	.44	074

** Class B Insulation

3000 Rpm - Heavy Duty - Ball Bearings - Class B Insulation

MARS NO.	HP	VOLTAGE	STACK SIZE	SHAFT	THERMAL PROTECTION	F.L.A.	REPLACES WWG #4M
90948	1/150	115	5/8"	3/16" x 2"	Impedance	.51	078



5KSB44 Shaded Pole Evaporator Fan Motors

GE 5KSB44 motors are designed for use on domestic and commercial refrigerators and systems. MARS Nos. 90975, 90976, 90977, and 90978 are packaged with two fan blades and mounting hardware for replacement of many popular motors.

Features:

- All angle sleeve bearings
- 3000 RPM single speed
- For domestic and commercial applications

Specifications:

- Single phase, 60 Hertz (90976 and 90975, 60/50 Hertz)
- Fan duty, continuous air over
- Ground lead

3000 RPM - 2 Pole

MARS NO.	GE NO. 5KSB44	INPUT			ROT OSE	DIMENSIONS			APPLICATION
		WATTS	VOLTS	AMPS		A	B	C	
90976*	QSE156	19.5	115	.29	CW	2.5"	1.03"	.19(3/16)"	DOMESTIC
90977*	QSE145	23.0	220	.18	CCW	2.5"	1.03"	.19(3/16)"	EXPORT
90978*	QSE146	23.0	220	.18	CW	2.5"	1.03"	.19(3/16)"	EXPORT

* Limited quantities available, while supplies last.

Plastic Fan Blades



Plastic Fan Blades

MARS NO.	ROT OSE	FOR SHAFT DIAMETER	NO. OF BLADES	DIAMETER
90991	CCW	.19"	5	4.0"
90992	CW	.13"	5	4.0"
90993	CCW	.13"	5	4.0"
90995	CW	.19"	4	3.5"
90996	CCW	.19"	4	3.5"

C-Frame - Shaded Pole Motors

MARS SERIES **909**

MARS



Super-Fit™ 3000 RPM Commercial Replacement Motor*

MARS 90970 Super-Fit™ commercial evaporator fan motor is the most versatile, easy-to-use, heavy-duty replacement evaporator fan motor available.

MARS 90970 is the first motor of this type with a dual voltage coil so you can stock one motor for both 115 volt and 230 volt applications. The unique system of slide locator screws lets you match OEM mountings quickly and easily.

The reversible 90970 features rugged, die cast bearing housings with self-aligning bearings and generous oil reservoir. The break-off shaft has adaptors to fit 1/8, 3/16, 1/4, 5/16 inch bores and hubless fan blades.

Fan blades on page M-4.

*U.S. Patent

Features:

- Dual voltage coil, 110-120/208-240 VAC
- 50/60 Hertz • mechanically reversible

Specifications:

- Electrical: 110-120/208-240 VAC; 50/60 Hertz
- Protection: thermal overload protected
- HP: 1/50 • RPM: 3000

MARS 90970 Replaces:

ACME MIAMI	GEM	UNI-LINE ROBERT SHAW
750	EM675	EM680
7502	EM675	EM683
780		

3000 Rpm—Mechanically Reversible

MARS NO.	HP	AMPERAGE	STACK HT. IN.	SHAFT	VOLTS
90970	1/50	1.33	.75	2.174 x .1875	110-120/208-240



Super-Fit™ 3000 RPM Replacement Motor Kit With Fan Blades

The MARS 90971 Super-Fit™ replacement motor kit with fan blades is designed to provide all the material necessary to replace virtually any existing application that requires a 3/8", 1/2", or 5/8" stack motor.

The motor features a specially designed recirculating oil system for long life.

Each kit includes MARS Super-Fit™ hardware plus a 4" diameter fan blade and a 5 1/2" diameter fan blade.

Additional fan blades see MARS Motor Catalog page M-4.

Features:

- Sleeve bearings
- All angle mount
- UL and CSA recognized
- Impedance protection
- Mechanically reversible
- Recirculating oil system

Specifications:

- Class "A" insulation
- 3000 RPM
- 60 Hz

Cross Reference:

MARS NO.	ACME-MIAMI	GEM	UNI-LINE/ROBERTSHAW	SUPCO
90971	600 700 710 AM-4670	EM670	33-670 (14001)	SM-670

3000 RPM—Mechanically Reversible

MARS NO.	HP	VOLTS	AMPS	SHAFT	STACK
90971	1/130	120	0.41	1.42" x 3/16"	5/8"



The largest selection of motors, components and accessories for the HVAC/R Industry

M-5

Unit Bearing -Shaded Pole Motors

MARS SERIES **150 & 451**



MARS²



Unit Bearing Motors

MARS-2 Unit Bearing Cast Iron Motors are used on refrigerators, freezers, food & beverage coolers, vending machines, display cases, and many other fan duty applications.

**Note: 13" lead w/lyall plug*

MARS 2 No.	WATTS	VOLTS	ROTATION
15109	2	115	CW
15211	4	115	CW
15212	4	115	CCW
15221	4	230	CW
15222	4	230	CCW
15311	6	115	CW
15312	6	115	CCW
15119*	9	115	CW
15411	9	115	CW
15412	9	115	CCW
15421	9	230	CW
15422	9	230	CCW
15811	16	115	CW
15812	16	115	CCW
15821	16	230	CW
15822	16	230	CCW

Features:

- Cast iron construction
- Universal mount
- Mounting screws included
- Individually boxed
- UL recognized

JARD
MAGNETICS



4 WATT MOTOR
JWM-5212



50 WATT MOTOR

Watt Motors

All motors are totally enclosed, UL and CSA approved, and have a proven track record of ruggedness, quality, and value. All motors are packed in individual boxes - no more lost mounting hardware. JARD Watt Motors are covered by a One Year Warranty.

1/4" Threaded Shaft

MARS No.	JARD No.	WATTS	VOLTS	ROTATION	RPM
45111	JWM-5111	2.5	115	CW	1550
45212	JWM-5212	4	115	CCW	1550
45312	JWM-5312	6	115	CCW	1550
45411	JWM-5411	9	115	CW	1550
45422	JWM-5422	9	230	CCW	1550
45812	JWM-5812	16	115	CCW	1550
45822	JWM-5822	16	230	CCW	1550
45911	JWM-25EM1	25	115	CW	1500
45921	JWM-25EM2	25	230	CW	1500
45922	JWM-25EMR2	25	230	CCW	1500
45711	JWM-35EM1	35	115	CW	1500
45712	JWM-35EMR1	35	115	CCW	1500
45721	JWM-35EM2	35	230	CW	1500
45722	JWM-35EMR2	35	230	CCW	1500

3/8" Smooth Shaft

MARS No.	JARD No.	WATTS	VOLTS	ROTATION	RPM
45511	JWM-50EM1	50	115	CW	1500
45512	JWM-50EMR1	50	115	CCW	1500
45521	JWM-50EM2	50	230	CW	1500
45522	JWM-50EMR2	50	230	CCW	1500

Refrigeration Fan Motors - Shaded Pole

3.3 inch dia. MARS SERIES **099**



09916
09917
09927

MARS Super-Fit™ 3.3 Inch Commercial Refrigeration Evaporator Fan And Blower Motors

Application

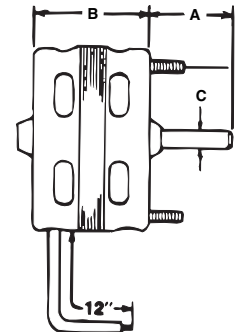
Can be used to replace virtually all popular 3.3" dia. commercial refrigeration evaporator fan motors.

Features:

- Adaptable to front or rear mount
- All angle operation
- Specially selected low temp. oil
- Full flatted black oxide shafts
- U.L. and C.S.A. recognized thermal protection
- Consult airMARS section of this catalog for fan blades & accessories

Specifications:

- Single phase, 60 Hertz
- Thermal overload protected
- 12 inch leads



Cross Reference

Century/AO Smith	Fasco	Magnetek	RMR	MARS No.
AO126, AO127	D532, D181	28,29	RR-1106	09916
AO132, AO133	D132, D133	572, 574, 30, 31	RR-1107	09917
AO188, AO189	D188, D189	575	RR-4107	09927

1550 RPM

MARS NO.	HP	VOLTS	AMPS	ROT OLE	A	DIMENSIONS	
						B	C
09916	1/30	115	1.2	CW	2.50	2.96	5/16
09917	1/20	115	1.7	CW	2.50	2.96	5/16
09927	1/20	208/230	0.96	CW	2.50	2.96	5/16

Refrigeration Fan Motors - Shaded Pole

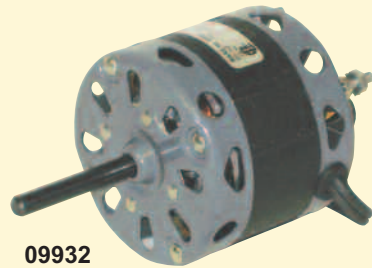
3.3 inch dia. MARS SERIES **099**



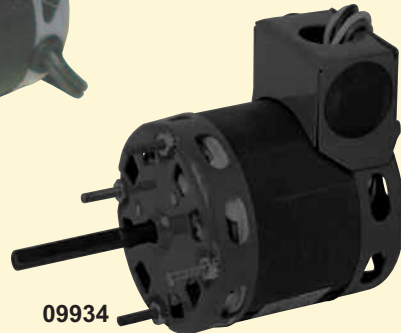
09930
09931



09938



09932
09933



09934

MARS One-On-One™ 3.3 Inch Commercial Refrigeration Evaporator Fan And Blower Motors

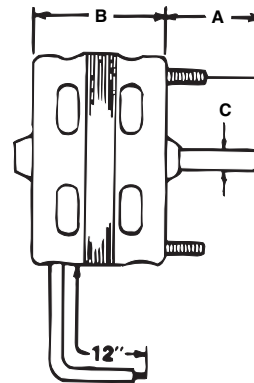
These motors feature original OEM-type plugs, wiring harness and conduit box (where appropriate).

Features:

- Original OEM-type mounting
- Original OEM-type wiring
- Specially selected low temp oil
- Full flatted black oxide shafts

Specifications:

- Class "B" insulation
- Thermal overload protected



Bohn Applications / With Lyall Plug

MARS NO.	HP	RPM	VOLTS	AMPS	ROT OLE	DIMENSIONS		
						A	B	C
09930	1/20	1550	115	1.7	CW	3	3	5/16
09931	1/15	1550	230	1.1	CW	3	3.5	5/16
09938	1/12	1400	230	0.55	CW	2.6	4	5/16

1550 RPM – Larkin Applications / With Lyall Plug

MARS NO.	HP	VOLTS	AMPS	ROT OLE	DIMENSIONS		
					A	B	C
09932	1/20	115	1.7	CCW	2.25	2.75	5/16
09933	1/20	208/230	1.0	CCW	2.25	3	5/16

1550 RPM – McQuay Applications

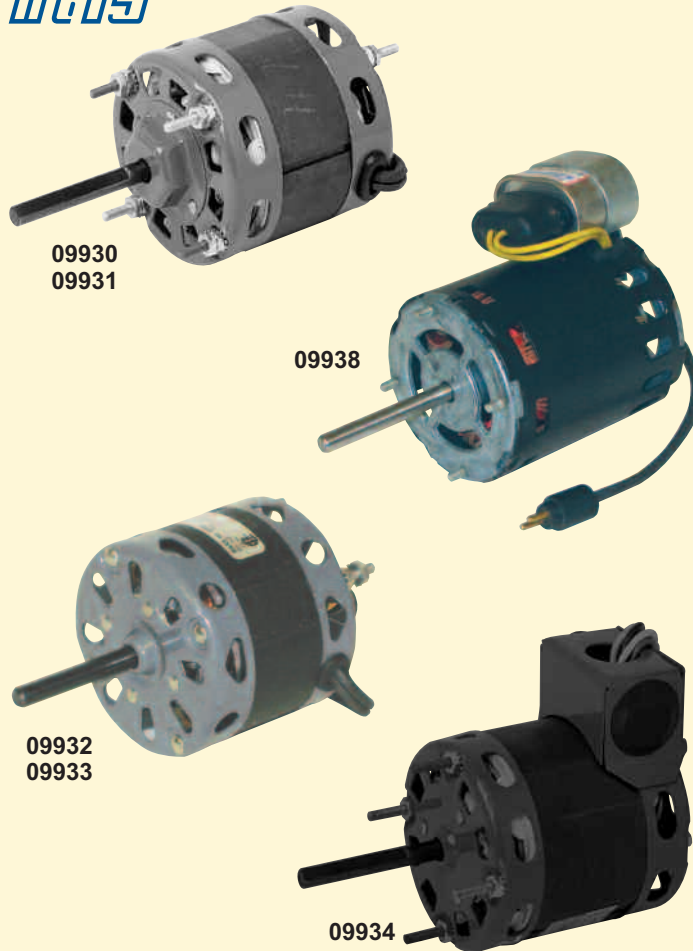
MARS NO.	HP	VOLTS	AMPS	ROT OLE	DIMENSIONS		
					A	B	C
09934	1/15	115/230	2.1/1.1	CW	2.5	3.5	5/16

Refrigeration Fan Motors - Shaded Pole

3.3 inch dia. MARS SERIES **099**

MARS

MARS



MARS One-On-One™ 3.3 Inch Commercial Refrigeration Evaporator Fan And Blower Motors

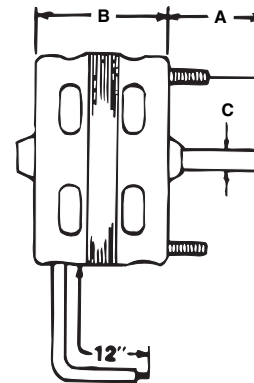
These motors feature original OEM-type plugs, wiring harness and conduit box (where appropriate).

Features:

- Original OEM-type mounting
- Original OEM-type wiring
- Specially selected low temp oil
- Full flatted black oxide shafts

Specifications:

- Class "B" insulation
- Thermal overload protected



1550 RPM – Bohn Applications / With Lyall Plug

MARS NO.	HP	VOLTS	AMPS	ROT OLE	A	DIMENSIONS B	C
09930	1/20	115	2.0	CW	3	3	5/16
09931	1/15	230	1.1	CW	3	3.5	5/16
09938	1/12	230	0.57	CW	2.6	4	5/16

1550 RPM – Larkin Applications / With Lyall Plug

MARS NO.	HP	VOLTS	AMPS	ROT OLE	A	DIMENSIONS B	C
09932	1/20	115	1.9	CCW	2.25	2.75	5/16
09933	1/20	208/230	1.3	CCW	2.25	3	5/16

1550 RPM – McQuay Applications

MARS NO.	HP	VOLTS	AMPS	ROT OLE	A	DIMENSIONS B	C
09934	1/15	115/230	2.35/1.16	CW	2.5	3.5	5/16

MARS

The largest selection of motors, components and accessories for the HVAC/R Industry

M-9

Refrigeration Fan Motors - Shaded Pole

3.3 inch dia. MARS SERIES **099**



1550 RPM – Singer Applications

MARS NO.	HP	VOLTS	AMPS	ROT OLE	A	DIMENSIONS	
						B	C
09935	1/25	115/230	1.53/.79	CW	2.5	3.125	5/16

1550 RPM – Nutone Applications / With 115V Plug

MARS NO.	HP	VOLTS	AMPS	ROT OLE	A	DIMENSIONS	
						B	C
09944*	1/100	115	0.7	CCW	1.2	2.1	1/4
09943*	1/100	115	0.7	CW	1.2	2.1	1/4
09937*	1/100	115	0.7	CCW	1.27	2.1	1/4

1550 RPM – Nutone Applications

MARS NO.	HP	VOLTS	AMPS	ROT OLE	A	DIMENSIONS	
						B	C
09936*	1/10	115	3.15	CCW	1.5	3.7	5/16

1550/1300 RPM – Krack Applications

MARS NO.	HP	VOLTS	AMPS	ROT OLE	A	DIMENSIONS	
						B	C
09949*	1/20	115/230	1.8/0.9	CW	1.6	3.2	5/16

* Cross Reference on pages M-10 to M-11

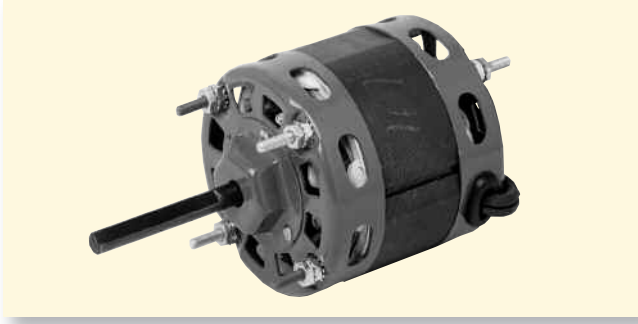
Cross Reference					
MARS	OEM	AOS/MAG	Fasco	Emerson	Hubbell
09936	NuTone	1107/621	D1107		S-1163
09937	NuTone	1109/509	D1109	9637	S-1145
09938	Bohn		D1125	9656	P-1089
09939	McQuay		D1140		P-1111
09940	McQuay		D1141		P-1112
09941	McQuay		D1144		P-1110
09942	Kramer	1154/396	D1154	9655	S-1142
09943	NuTone	540/692	D540	9638	S-1147
09944	NuTone	541/693	D541	9636	S-1053
09945	Broan	632			S-1166
09946	Broan	633			S-1162
09947	Ice Machine		D214		S-1143
09948	Jenn-Aire		D184		S-1148
09949	Krack		D1189		S-1141
09950	Kramer		D1152		S-1164



Refrigeration Fan Motors - Shaded Pole

3.3 inch dia. MARS SERIES **099**

MARS



One-On-One 3.3 Inch Commercial Refrigeration Evaporator Fan and Blower Motors

MARS NO.	HP	VOLTS	AMPS	ROT (LE)	RPM
09936	1/10	115	3.8	CW	1550
09937	1/100	115	0.7	CW	1550
09938	1/12	208/230	0.6	CCW	1400
09939	1/10 1/12 1/15	115	1.9 1.3 1.0	CCW	1500
09940	1/15 1/25 1/35	115	1.7 1.3 1.0	CCW	1000
09941	1/25 1/35 1/65	115	1.2 0.8 0.4	CCW	1200
09942	1/20	208/230	1.0	CW	1550
09943	1/100	115	0.7	CCW	1550
09944	1/100	115	0.7	CW	1550
09945	1/33	115	1.2	CW	1550
09946	1/50	115	0.8	CCW	1400
09947	1/20	115/230	1.7 0.85	CW	3000
09948	1/25	115	1.4	CW	1550
09949	1/20	115/230	1.8 0.9	CW	1550
09950	1/20	115	2.1	CW	1500

Cross Reference

A.O Smith	Bohn	Fasco	Krack	Kramer	Larkin	Magnetek	Nutone	McQuay	Singer	MARS
AO1124	5KSM59JSK143S 5034LS, 5008SS	D1124	-	-	-	572	-	-	-	09930
AO1126	5KSM59S262AS 5034MS, 5008TS	D1126	-	-	-	573	-	-	-	09931
AO1101	-	D1101	-	-	253-1194	574	-	-	-	09932
AO1103	-	D1103	-	-	253-1195	575	-	-	-	09933
AO1142	-	D1142	-	-	-	342	-	879-382562B-00	-	09934
AO1164	-	D1164	-	-	-	-	-	-	JAZP091N	09935
AO1107	-	D1107	-	-	-	JAZP0901N	67176	-	-	09936
AO1109	-	D1109	-	-	-	-	32997	-	-	09937
-	7190-0442	D1125	-	-	-	-	23405	-	-	09938
-	-	D1140	-	-	-	-	23388	-	-	09939
-	-	D1141	-	-	-	-	-	879-382564B-00	-	09940
-	-	D1144	-	-	-	-	-	879-382563B-00	-	09941
AO1154	-	D1154	-	JA2R140N	-	-	-	BA2H015	-	09942
AO540	-	D540	-	-	-	-	3813	-	-	09943
AO541	-	D541	-	-	-	-	26750	-	-	09944
AO632	-	-	-	-	-	-	-	-	-	09945
AO633	-	-	-	-	-	-	-	-	-	09946
-	-	D214	-	-	-	-	-	-	-	09947
-	-	D184	-	-	-	-	-	-	-	09948
-	-	D1189	11528	-	-	-	-	-	-	09949
-	-	-	11529	-	-	-	-	-	-	09949
-	-	D1152	-	5KSM59ES2001	-	-	-	-	-	09950

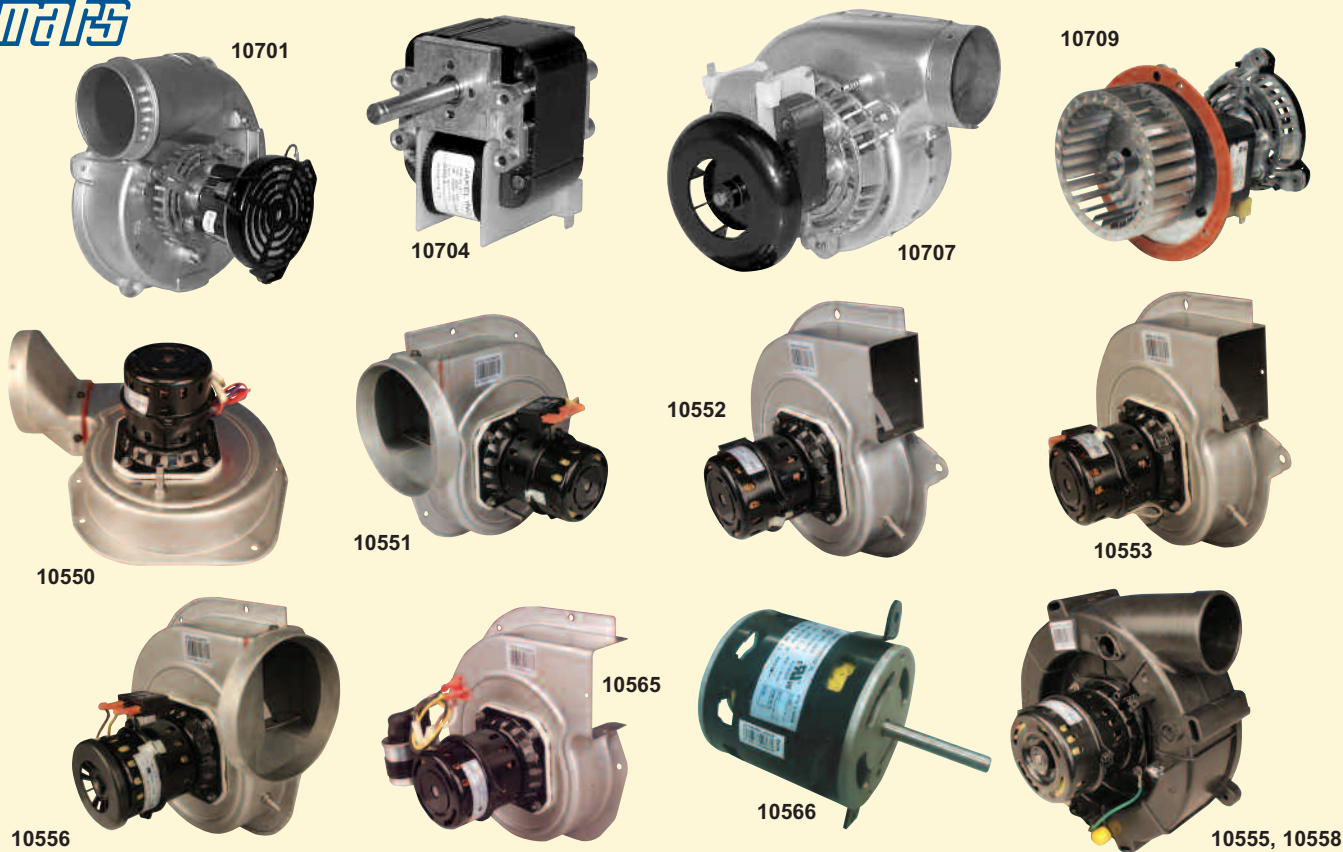


Specific Purpose Blowers

MARS SERIES **107 & 206**



MARS



MARS draft inducer blower assemblies are designed and manufactured to serve as drop-in, exact replacements.

Specifications:

- C-Frame • Single Speed • 60 Hz
- Thermal protected, air over
- Single phase

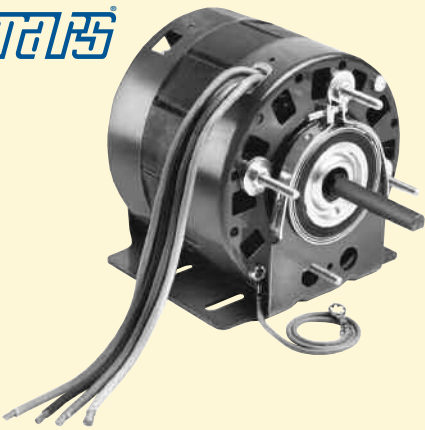
Draft Inducer Blowers

MARS NO.	OEM	OEM NO.	APPLICATION	HP	VOLTS	AMPS	RPM	BEARING TYPE	CAP INCLUDED
10701	Rheem	70-24157-03	80+ Furnace	1/30	120	1.71	3400	Ball	—
10566	Carrier	HC27Q118	80 + Furnace	1/4	115	0.38	3030	Ball	5MFD/370
10704	Carrier	HC21ZE117	80+ Furnace	1/22	115	1.8	—	Ball	—
10709	Carrier	HC24HE230	80+ Furnace	1/40	208/230	1.0	—	Ball	—
10707	Lennox	88K8401	80+ Furnace	1/60	120	1.3	3000	Ball	—
10556	Nordyne	622567	80+ Furnace	1/33	115	0.43	3000	Ball	4MFD/250V
10558	Nordyne	622302	90+ Furnace	1/31	115	0.46	3300	Ball	6MFD/250V
10550	Goodman	0131G00007	80+ Furnace	1/50	230	0.24	3000	Ball	2MFD/370V
10551	Goodman	0131G00009	80+ Furnace	1/32	230	0.24	3000	Ball	2MFD/370V
10552	Goodman	0131M00121	80+ Furnace	1/50	230	0.22	3000	Ball	2MFD/370V
10553	Goodman	0131M00002P	80+ Furnace	1/50	115	0.40	3000	Ball	6MFD/250V
10555	Goodman	0271F00126	90+ Furnace	1/32	115	0.46	3150/2950	Ball	6MFD/250V
10563	Trane	D965130P01	80+ Furnace	1/39	230	0.22	2800/1500	Ball	2MFD/370V
10564	Trane	D965129P01	80+ Furnace	1/39	230	0.22	2800/1500	Ball	2MFD/370V
10565	Trane	D965128P01	80+ Furnace	1/34	230	0.24	3000	Ball	2MFD/370V

Refrigeration Fan Motors - Shaded Pole

5 inch dia. MARS SERIES **106**

MARS



MARS 21/29 Frame Commercial Refrigeration Replacement Motors

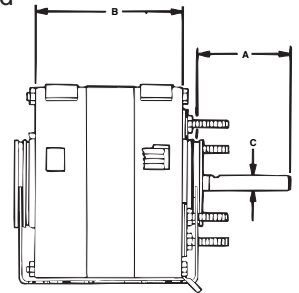
MARS 21/29 frame refrigeration replacement motors have been designed to provide the contractor with tremendous versatility. Dual voltage and mechanical reversibility make these ideal truck stock for today's busy refrigeration contractor. 1050 RPM and 1550 RPM models are available.

Features:

- All angle sleeve bearings
- 115/208-230 volt
- Simple mechanical reversibility, lead exit provided at both ends
- Extended studs with double nuts
- Mounting washers included
- 2 1/4 inch resilient rings for base mounting
- CCW (lead end) rotation as factory assembled
- Base and clamps included

Specifications:

- Single phase, 50/60 Hertz
- Thermal overload protected
- 30" color coded leads
- 3/8" shaft diameter with 1/2" adapter included



Functional Equivalent to:			
	10609	10611	10615
GE	2121/2122 2113	2331/2332 2341/2342	2131/2132 2141/2142 2231/2232 2241/2242
Magnetek/ Univ	608/609	610/611	614/615 612/613
Fasco	D490/D491	D484/D485	D480/D481 D482/D483
A.O.Smith	RF6402/RF6403		326P118/326P119 RF4400/RF4401
Emerson	F1471	F1468	F1469 F1470

1050 RPM – Mechanically Reversible

MARS NO.	HP	VOLTS	LE ROT	F.L.A. 115/208-230V	A	DIMENSIONS B C	
10609	1/10	115/230	CCW	4.0/2.0	2.25	4.92	3/8

1550 RPM – Mechanically Reversible

MARS NO.	HP	VOLTS	LE ROT	F.L.A. 115/208-230V	A	DIMENSIONS B C	
10611	1/20	115/230	CCW	3.8/1.9	2.25	4.92	3/8
10615	1/10	115/230	CCW	4.0/2.0	2.25	4.92	3/8



Carbonator Pump Motors

5½ inch dia. MARS SERIES **108**



MARS Carbonator And Specialty Pump Motors

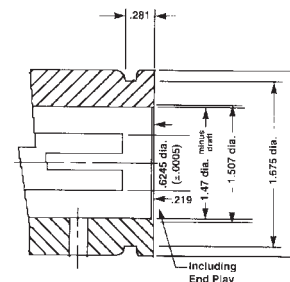
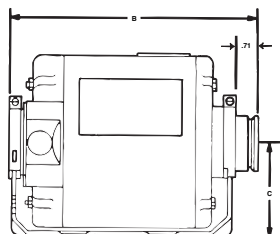
MARS specialty pump motors are designed for use on carbonator pumps and other positive displacement pump applications. These motors are ideally suited for use in dispensing equipment, closed loop process temperature control and water purification equipment.

Features:

- Heavy duty sleeve bearings
- Resilient base
- Unique start winding switch design

Specifications:

- Single phase
- 60 Hertz and 50/60 Hertz models
- Overload protected
- Continuous duty
- 40°C ambient
- 1/4, 1/3, 1/2 HP models



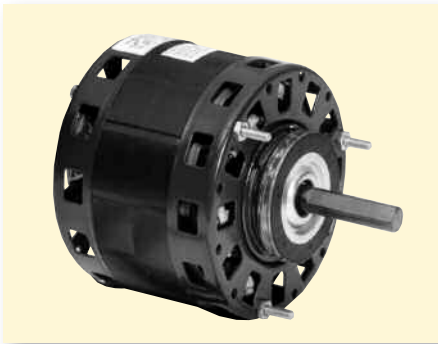
1725 RPM - Single Speed

MARS NO.	HP	VOLTS	HZ.	AMPS	SF	DIMENSIONS		FRAME
						B	C	
10842*	1/3	115	60	6.2	1.0	8.57	3.0	48Y
10844*	1/3	115/230	50/60	4.6/2.3	1.0	8.57	3.0	48Y
10845*	1/2	115/230	50/60	6.8/3.4	1.0	9.07	3.0	48Y

* Limited quantities available, while supplies last.

Direct Drive Blower Motors - Shaded Pole

5 inch dia. MARS SERIES **108**



MARS Shaded Pole Direct Drive Furnace Blower Motors

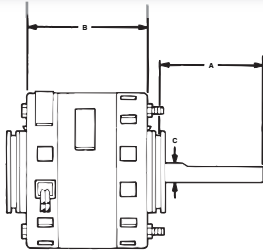
MARS shaded pole direct drive furnace blower motors are excellent, economic choices for a wide variety of direct drive blower applications. These class "B" insulated motors will provide long life and quiet operation.

Features:

- Sleeve bearings
- Resilient ring mounting
- Extended studs
- CCW lead end rotation
- NEMA 42 (29) frame
- All angle mounting

Specifications:

- Automatic thermal overload protection
- Class "B" insulation
- 60 Hertz
- Fan duty continuous air over
- U.L. and C.S.A. approved



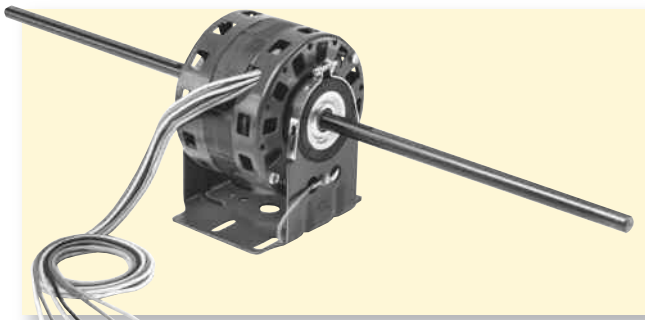
1050 RPM - Three Speed

MARS NO.	HP	VOLTS	AMPS	ROT OSE	DIMENSIONS		
					A	B	C
10809	1/8	115	5.8	CCW	3.12	4.42	1/2
10810	1/5	115	6.5	CCW	4.75	5.17	1/2



Fan Coil Motors - Shaded Pole

5 inch dia. MARS SERIES **108**



MARS fan coil replacement motor

The MARS fan coil replacement motor, with removable resilient mounting base is used for a wide range of dual blower wheel fan/coil assemblies. This motor is especially suited for P-TACs (package terminal air conditioning). The 10889 replaces a large number of OEM designs.

Features:

- Thermal protection
- Includes resilient mounting base
- Includes female 1/4" spade terminals
- Quiet sleeve bearings

Specifications:

- Single phase, 60 Hertz
- Fan duty continuous air over
- Open enclosure

Cross Reference:

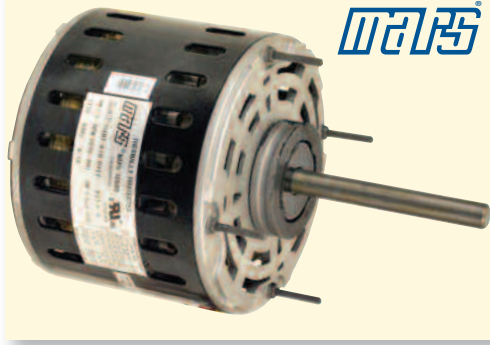
REPLACES		MARS NO.
A.O. Smith	DBL6409	10889
Fasco	D289	10889
GE	2089	10889
Magnetek/UE	89	10889

1050 RPM - Five Speed

MARS NO.	HP	VOLTS	AMPS	ROT LE	A	DIMENSIONS		
						B	C	D
10889	1/10	115	3.5	CCW	10.3	3.34	10.3	1/2

Direct Drive Blower Motors

5 1/2 inch dia. MARS SERIES 112



Direct Drive Furnace Blower Motors

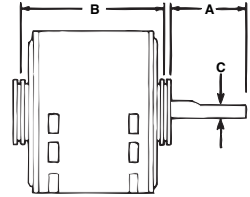
MARS direct drive furnace blower motors are three speed standard efficiency models. All models are electrically reversible and include 2 1/4 inch resilient rings for base mounting. These models have all angle sleeve bearings and have open air over enclosures.

Features:

- All angle sleeve bearing
- Rheem mounting holes
- 3 speeds
- 1/2 inch extended thru bolts
- 2-1/4 inch resilient rings
- 4 inch long, 1/2 inch diameter shaft
- For accessories see MARS Motor Catalog pages M-112 to M-114

Specifications:

- Class "B" insulation
- Single phase, 60 Hertz
- Thermal overload protected
- Fan duty, continuous, air over
- Open construction
- 26 & 30 inch leads



Cross Reference

MARS No.	GE/ Genteq	Century/ AO Smith	US Motors/ Emerson	Fasco	Marathon	Wagner	Packard	YORK Source 1	Rheem/Ruud Protech	Carrier/Totaline RCD	Nordyne Partner's Choice	ROTOM
10583	3583	DL1026	1863	D721	X000	WG840583	43583	S1-FHM3583	W51-14BAA3-01	P257-8583	01-0169	DD-3583
10584	3584	D1026	1971	D725	X001	WG840584	43584	S1-FHM3584	W51-14BJA3-01	P257-8584	01-0173	DD-3584
10585	3585	DL1036	1864	D727	X002	WG840585	43585	S1-FHM3585	W51-13BAA3-01	P257-8585	01-0170	DD-3585
10586	3586	D1036	1972	D923	X003	WG840586	43586	S1-FHM3586	W51-13BJA3-01	P257-8586	01-0174	DD-3586
10587	3587	DL1056	1865	D701	X004	WG840587	43587	S1-FHM3587	W51-12BAA3-01	P257-8587	01-0171	DD-3587
10588	3588	D1056	1973	D703	X005	WG840588	43588	S1-FHM3588	W51-12BJA3-01	P257-8588	01-0175	DD-3588
10589	3589	DL1076	8904	D728	X009	WG840589	43589	S1-FHM3589	W51-34BAA3-01	P257-8589	01-0172	DD-3589
10590	3590	D1076	8905	D729	X010	WG840590	43590	S1-FHM3590	W51-34BJA3-01	P257-8590	01-0176	DD-3590

1075 RPM - Three Speed Reversible Rotation

MARS NO.	HP	ROT	VOLTS	AMPS	CAP REQUIRED	ENCL.	BRG.	A	B	C	LEAD LENGTHS
10583	1/4	Rev	115	4.2	5/370	OAO	Slv	4.50	4.89	1/2	26"
10584	1/4	Rev	208-230	1.8	5/370	OAO	Slv	4.50	4.89	1/2	26"
10585	1/3	Rev	115	6.1	5/370	OAO	Slv	4.50	5.14	1/2	30"
10586	1/3	Rev	208-230	2.7	5/370	OAO	Slv	4.50	5.14	1/2	26"
10587	1/2	Rev	115	7.5	10/370	OAO	Slv	4.50	5.89	1/2	29.33"
10588	1/2	Rev	208-230	3.2	7.5/370	OAO	Slv	4.50	5.64	1/2	29"
10589	3/4	Rev	115	11.2	15/370	OAO	Slv	4.50	6.14	1/2	30.25"
10590	3/4	Rev	208-230	4.5	10/370	OAO	Slv	4.50	6.14	1/2	30.25"



Multi-Horsepower Direct Drive Furnace Blower Motors

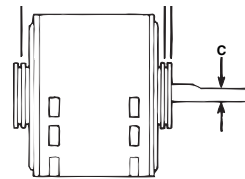
MARS multi-horsepower direct drive blower motors are ideal for truck stock. Four models cover both 115 volt and 208-230 volt applications from 1/6 through 3/4 HP. All MARS multi-horsepower motors feature Rheem shell mounting holes.

Features:

- Rheem mounting holes
- Reversible rotation
- 2-1/4 inch resilient rings

Specifications:

- Class "B" insulation
- Single phase, 60 Hz
- Thermal overload protected
- 41 inch leads



Cross Reference

MARS No.	GE/ Genteq	Century/ AO Smith	US Motors/ Emerson	Fasco	Marathon	Wagner	YORK Source 1	Rheem/Ruud Protech	Carrier/Totaline RCD	Nordyne Partner's Choice	ROTOM
10463	3463	FDL6001	5460	D2835	X077	WG840463	S1-FHM3463	51-23012-41	P257-E5460	01-0698	R43600
10464	3464	FD6000	5461	D833	X073	WG840464	S1-FHM3464	51-23022-41	P257-E5461	01-0699	R43601
10466	3466	FDL6002	5470	D2832	X074	WG840466	S1-FHM3466	51-23017-42	P257-E5470	01-0702	R43602
10467	3467	FD6001	5471	D2833	X075	WG840467	S1-FHM3467	51-23022-41	P257-E5471	01-0701	R43603
10479			5469								

Four Speed

MARS NO.	HP	ROT	VOLTS	RPM	ENCL.	BRG.	A	B	C	LEAD LENGTHS
10463	1/6 - 1/2	Rev	115	1075	OAO	Slv	5.50	4.73	1/2	41.53"
10464	1/6 - 1/2	Rev	230	1075	OAO	Slv	5.50	4.73	1/2	41"
10466	1/5 - 3/4	Rev	115	1075	OAO	Ball	5.80	5.73	1/2	41"
10467	1/5 - 3/4	Rev	230	1075	OAO	Ball	5.60	5.23	1/2	40.75"
10479	1/8 - 1/3	Rev	230	825	OAO	Slv	4.50	5.30	1/2	36"



Condenser Fan Motors - Single Phase - PSC

5½ inch dia. MARS SERIES 100

MARS

MARS

60°C



Outdoor Condenser Fan Motors

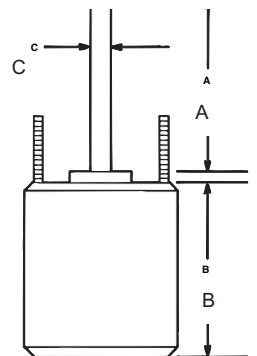
MARS up/down outdoor condenser fan motors are designed for either vertical shaft-up or shaft-down applications. Shell and end shields are enclosed for weather protection. A weep hole is provided in each end shield to allow condensate to drain. All of these motors are suitable for air conditioning or heat pump applications.

Features:

- All angle, sleeve or ball bearing
- Rheem mounting holes w/screws installed
- Reversible rotation
- Water slinger on shaft
- Thru bolt or band mounting
- Capacitor requirement noted on motor label
- Up/down design
- Double full flatted shaft

Specifications:

- Class "B" insulation
- Single phase, 60 Hertz
- Thermal overload protected
- Fan duty, continuous, air over
- 26 & 36 inch leads



Cross Reference

MARS No.	GE/ Genteq	Century/ AO Smith	US Motors/ Emerson	Fasco	Marathon	Wagner	Packard	YORK Source 1	Rheem/Ruud Protech	Carrier/Totaline RCD	Nordyne Partner's Choice	RO TOM
10727	3727	FSE1016S	1859	D917	X411	WG840727	43727	S1-FHM3727	W51-16CJA1-01	P257-8727	01-0160	
10728	3728	FSE1026S	1860	D909	X412	WG840728	43728	S1-FHM3728	W51-14CJA1-01	P257-8728	01-0161	
10729	3729	FSE1036S	1861	D908	X413	WG840729	43729	S1-FHM3729	W51-13CJA1-01	P257-8729	01-0162	
10730	3730	FSE1056S	1862	D907	X414	WG840730	43730	S1-FHM3730	W51-12CJA1-01	P257-8730	01-0163	
10731	3731	FSE1076S	1868	D933		WG840731	43731	S1-FHM3731	51-42534-19	P257-8731	01-0164	
10403	3403	FSE1018SF	1873	D798	X465		60825		51-23055-12		0165	
10404	3404	FSE1028SF	1874	D934		WG840204	40825	S1-FHM3204	51-23054-13		0166	R22445
10405	3405	FSE1038SF	1875	D796	X451	WG840205	30825	S1-FHM3205		P257-8026	0167	R22345
10746	3746	FSE1058SF	1870	D713	X452						0168	R22245

Reversible Rotation - Single Speed

MARS NO.	HP	VOLTS	AMPS	CAP REQUIRED	ENCL.	BRG.	DIMENSIONS			LEAD LENGTHS
							A	B	C	

1075 RPM

10727	1/6	208-230	0.90	5/370	TEAO	Sleeve	6.50	4.23	1/2	26"
10728	1/4	208-230	1.8	5/370	TEAO	Sleeve	6.50	4.23	1/2	26"
10729	1/3	208-230	2.4	7.5/370	TEAO	Sleeve	6.50	5.23	1/2	26"
10730	1/2	208-230	3.5	10/370	TEAO	Sleeve	6.50	5.73	1/2	26"
10731	3/4	208-230	5.2	10/370	TEAO	Ball	6.50	6.23	1/2	30.5"

825 RPM

10403	1/6	208-230	1.0	5/370	TEAO	Sleeve	6.50	4.23	1/2	36"
10404	1/4	208-230	2.2	5/370	TEAO	Sleeve	6.50	4.48	1/2	36"
10405	1/3	208-230	1.9	7.5/370	TEAO	Sleeve	6.50	5.23	1/2	36"
10746	1/2	208-230	2.8	12.5/370	TEAO	Sleeve	6.50	5.70	1/2	36"

MARS

The largest selection of motors, components and accessories for the HVAC/R Industry

M-17

Multi-Horsepower Motors

5½ inch dia. MARS SERIES 113



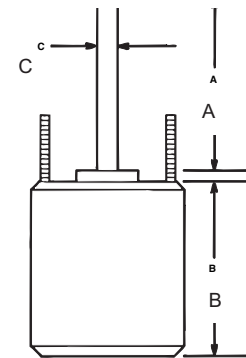
MARS multi-horsepower condenser fan motors are ideal for truck stock. Three 1075 RPM models cover 208-230 volt applications from 1/6 to 1/2 HP.

Features:

- Rheem mounting holes w/screws installed
- Thru bolt or band mounting
- Water slinger on shaft
- Air conditioning or heat pump duty

Specifications:

- Class "B" insulation
- Single phase, 60 Hz
- Thermal overload protected



Cross Reference

MARS No.	GE/ Gentaq	Century/ AO Smith	US Motors/ Emerson	Fasco	Marathon	Wagner	YORK Source 1	Rheem/Ruud Protech	Carrier/ Totaline RCD	Nordyne Partners Choice	ROTOM
10458	3458	ORM5458	5458					W51-MHCJA1-01			R22402
10459	3459	ORM5488B	5464								
10465	3465	FE6000	5462	D2827	X072	WG840465	S1-FHM3465	51-23053-21	P257-E5462	01-0695	R22605
10468	3468	FE6002	5465		X076	WG840468	S1-FHM3468		P257-E5465	01-0697	R22602
10469	3469	FE6001	5464	D2826		WG840469	S1-FHM3469	51-20760-11	P257-E5464	01-0696	R22601

MARS NO.	HP	ROT	RPM/SP.	VOLTS	ENCL.	BRG.	DIMENSIONS			LEAD LENGTHS
							A	B	C	
10458	1/6 - 1/3	Rev	1075	208-230	TEAO	Ball	6.50	3.82	1/2	36"
10459	1/8 - 1/3	Rev	825	208-230	TEAO	Ball	6.50	5.48	1/2	36"
10465	1/6 - 1/3	Rev	1075/2	208-230	TEAO	Ball	5.00	4.73	1/2	38"
10468	1/5 - 1/2	Rev	1075/2	208-230	TEAO	Ball	5.00	5.48	1/2	38"
10469	1/6 - 1/3	Rev	825/2	208-230	TEAO	Ball	5.00	5.48	1/2	42"

The Wiz



Multi-Horsepower Motors

5½ inch dia. MARS SERIES 113

MARS

Multi-Horsepower Capacitor & Speed Tap Configuration

All multi-horsepower motors include Rheem shell mounting holes.

DIRECT DRIVE

MARS Motor #10463 Direct Drive Blower Motor

Motor HP	Speed to Use	Capacitor	MARS Capacitor #	FLA
1/2	All Speeds	15/370	12010 or 12910	6.2
1/3	All Speeds	5/370 or 7.5/370*	12005 or 12905 or 12007 or 12907*	6.1
1/4	Med-Hi or Med-Lo:Lo	5/370 or 7.5/370*	12005 or 12905 or 12007 or 12907*	4.4
1/5	Med-Lo:Lo	5/370 or 7.5/370*	12005 or 12905 or 12007 or 12907*	3.2
1/6	Lo	5/370 or 7.5/370*	12005 or 12905 or 12007 or 12907*	2.4

* using a 7.5 mfd capacitor will result in approx. 10% stronger motor

MARS Motor #10464 Direct Drive Blower Motor

Motor HP	Speed to Use	Capacitor	MARS Capacitor #	FLA
1/2	All Speeds	10/370	12008 or 12908	2.7
1/3	All Speeds	5/370 or 7.5/370*	12005 or 12905 or 12007 or 12907*	2.6
1/4	Med-Hi or Med-Lo:Lo	5/370 or 7.5/370*	12005 or 12905 or 12007 or 12907*	1.9
1/5	Med-Lo:Lo	5/370 or 7.5/370*	12005 or 12905 or 12007 or 12907*	1.4
1/6	Lo	5/370 or 7.5/370*	12005 or 12905 or 12007 or 12907*	1.1

* using a 7.5 mfd capacitor will result in approx. 10% stronger motor

MARS Motor #10466 & 10467 Direct Drive Blower Motor

Motor HP	Speed to Use	Capacitor	MARS Capacitor #	FLA #10466	FLA #10467
3/4	All Speeds	20/370	12014 or 12914	8.5	4.2
1/2	All Speeds	10/370	12008 or 12908	8.3	3.8
1/3	Med-Hi or Med-Lo:Lo	10/370	12008 or 12908	4.6	2.3
1/4	Med-Lo:Lo	10/370	12008 or 12908	3.4	1.9
1/5	Lo	10/370	12008 or 12908	2.7	1.5

CONDENSER FAN

MARS Motor #10465 Condenser Fan Motor

Motor HP	Speed to Use	208V	MARS Capacitor #	230V	MARS Capacitor #	FLA
1/3	Hi	7.5/370	12007 or 12907	5/370	12005 or 12905	2.6
1/4	Hi	7.5/370	12007 or 12907	5/370	12005 or 12905	2.5
1/5	Lo	7.5/370	12007 or 12907	5/370	12005 or 12905	2.0
1/6	Lo	7.5/370	12007 or 12907	5/370	12005 or 12905	1.8

MARS Motor #10468 Condenser Fan Motor

Motor HP	Speed to Use	208V	MARS Capacitor #	230V	MARS Capacitor #	FLA
1/2	Hi	12.5/370	12009 or 12909	10/370	12008 or 12908	3.0
1/3	Hi	12.5/370	12009 or 12909	10/370	12008 or 12908	2.2
1/4	Lo	12.5/370	12009 or 12909	10/370	12008 or 12908	1.6
1/5	Lo	12.5/370	12009 or 12909	10/370	12008 or 12908	1.3

MARS Motor #10469 Condenser Fan Motor

Motor HP	Speed to Use	208V	MARS Capacitor #	230V	MARS Capacitor #	FLA
1/3	Hi	10/370	12008 or 12908	7.5/370	12007 or 12907	1.9
1/4	Hi	10/370	12008 or 12908	7.5/370	12007 or 12907	1.5
1/5	Lo	10/370	12008 or 12908	7.5/370	12007 or 12907	1.2
1/6	Lo	10/370	12008 or 12908	7.5/370	12007 or 12907	1.0

The Wiz MARS Motor #10458 Multi-HP Condenser Fan Motor

Motor HP	Speed to Use	208V	MARS Capacitor #	230V	MARS Capacitor #	FLA
1/3	Hi	7.5/370	12007 or 12907	7.5/370	12007 or 12907	2.8
1/4	Hi	7.5/370	12007 or 12907	7.5/370	12007 or 12907	2.2
1/5	Hi	7.5/370	12007 or 12907	7.5/370	12007 or 12907	1.9
1/6	Hi	7.5/370	12007 or 12907	7.5/370	12007 or 12907	1.7

The Wiz MARS Motor #10459 Multi-HP Condenser Fan Motor

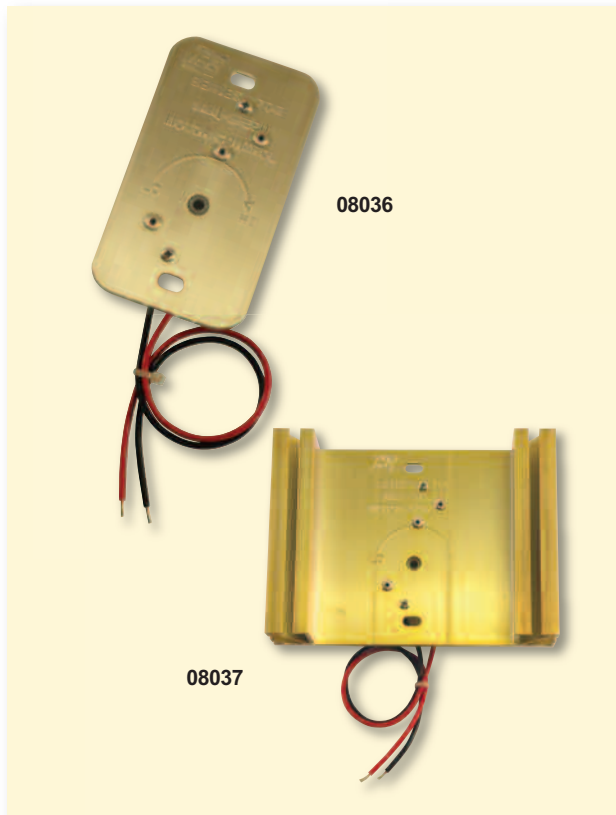
Motor HP	Speed to Use	208V	MARS Capacitor #	230V	MARS Capacitor #	FLA
1/3	Hi	10/370	12008 or 12908	10/370	12008 or 12908	1.9
1/4	Hi	10/370	12008 or 12908	10/370	12008 or 12908	1.6
1/5	Hi	10/370	12008 or 12908	10/370	12008 or 12908	1.4
1/6	Hi	10/370	12008 or 12908	10/370	12008 or 12908	1.2
1/8	Hi	10/370	12008 or 12908	10/370	12008 or 12908	1.0



The largest selection of motors, components and accessories for the HVAC/R Industry

Motor Accessories

MARS SERIES **950**

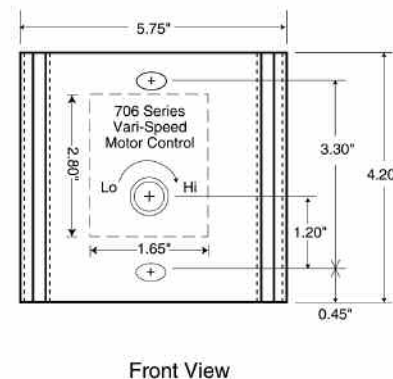
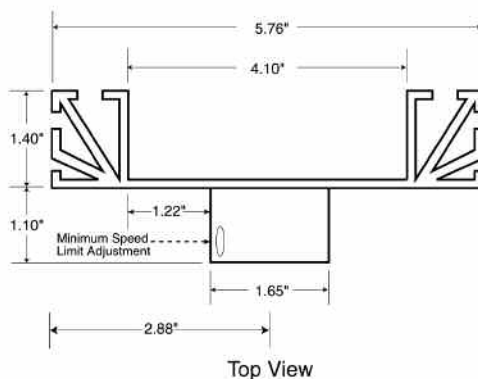
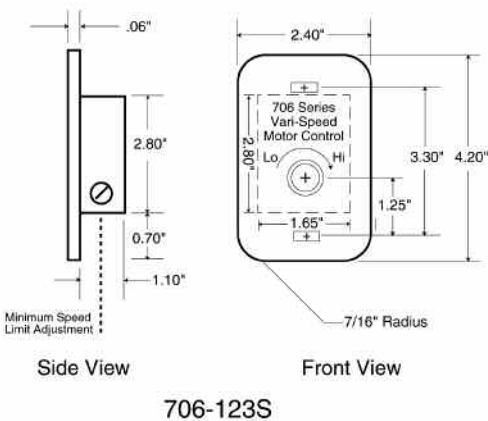


Manual Motor Speed Controllers

MARS 08036 and MARS 08037 manual motor speed controllers are designed to provide proportional speed control for single phase shaded pole or permanent split capacitor (open frame) motors. These modules may be used for any nominal voltage between 120 and 277 volts. The design is for direct connected propeller (blade) or blower (squirrel cage) fan type applications, but may be applicable to other non-air moving type motor drive requirements typical of pumps, etc. Typical performance will provide speed adjustment approaching stall with a separate minimum speed limit. Minimum speed setting may be limited depending upon the ventilating characteristics of the motor. The minimum speed limit sets minimum RPM preventing motor stall. Minimum Speed varies with motor loading.

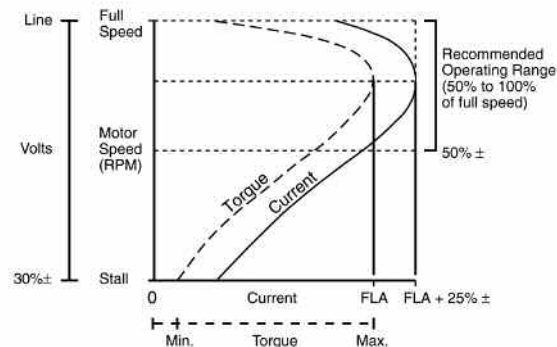
Specifications:

- Minimum Speed: Field Adjustable
- Humidity: Condensation Free
- Operating Ambient Temperature: 0°C- 60° C
- UL Recognized



706-123SB (10 Amp)

MARS NO.	AMPS	VOLTS	MARS PACK
08036	5	120 through 277	1
08037	10	120 through 277	1



Typical Variable Motor Speed Performance

Unit Bearing Motors - High Efficiency ESP

3 7/8 inch dia. MARS SERIES **002**



EM&S



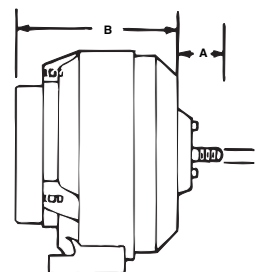
EM&S ESP-L Shaded Pole Motors

Features:

- Cast iron unit bearing
- Single speed
- End or side pad mounting
- Horizontal operation
- With flatted smooth shaft

Specifications:

- Single phase, 60 Hertz
- Overload protection
- Continuous, air over



For Tecumseh — Replaces No. 810M050A62

MARS NO.	EMS NO. ESP-	WATTS OUTPUT	VOLTS	AMPS	RPM	ROT LE	DIMENSIONS			SHAFT TYPE
							A	B	C	
00507	OL50EMJR21	50	230	.85	1500	CCW	2.00	4.25	5/16	with flat

For Kelvinator — Replaces Nos. 24-0366, ESP-L15EMJR11

MARS NO.	EMS NO. ESP-	WATTS OUTPUT	VOLTS	AMPS	RPM	ROT LE	DIMENSIONS			SHAFT TYPE
							A	B	C	
00152	OL15EMJR11	15	115	.60	1500	CCW	7.00	3.50	5/16	with flat

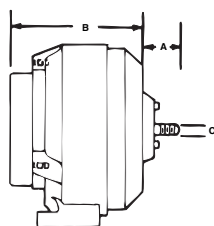
EM&S ESP-L Shaded Pole Motors

Features:

- Cast iron unit bearing
- Single speed
- End or side pad mounting
- Threaded shaft (except 00256)
- All angle, shaft down

Specifications:

- Single phase, 60 Hertz
- Overload protection
- Continuous, air over



MARS NO.	EMS NO. SP-	WATTS OUTPUT	VOLTS	AMPS	RPM	ROT LE	DIMENSIONS				SHAFT TYPE
							A	B	C	D	
00255	L20EMA1	23	115	.8	1500	CW	.50	3.5	1/4	—	thread
00257	L20EMA2	23	230	.4	1500	CW	.50	3.5	1/4	—	thread

for ideal bottle dispenser

MARS NO.	EMS NO. SP-	WATTS OUTPUT	VOLTS	AMPS	RPM	ROT LE	DIMENSIONS				SHAFT TYPE
							A	B	C	D	
00256	L25ERD1	25	115	1.1	1500	CCW	1.00	4.0	5/16	3.5	smooth

Unit Bearing Motors - High Efficiency ESP

3 7/8 inch dia. MARS SERIES 002

EM&S



EM&S High Efficiency ESP-L Shaded Pole Motors

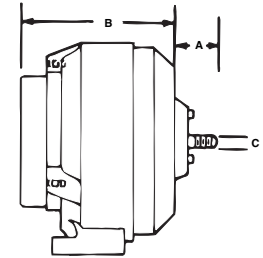
The ESP line of motors is a unique and patented design that makes possible a higher output in a smaller frame.

Features:

- Cast iron unit bearing
- Single speed
- End or side pad mounting
- Horizontal operation
- Threaded or smooth shaft
- Heat isolated oil pump and reservoir

Specifications:

- Single phase, 60 Hertz
- 22" leads
- Overload protection
- Continuous, air over



1500 RPM – 1/4" Threaded Shaft

MARS NO.	EMS NO. ESP-	WATTS OUTPUT	VOLTS	AMPS	ROT OSE	DIMENSIONS		
						A	B	C
00201	L16EM1	16	115	.80	CW	.50	3.50	1/4
00251	L25EM1	25	115	1.10	CW	.50	3.50	1/4
00252	L25EMR1	25	115	1.10	CCW	.50	3.50	1/4
00253	L25EM2	25	230	.60	CW	.50	3.50	1/4
00254	L25EMR2	25	230	.60	CCW	.50	3.50	1/4
00351	L35EM1	35	115	1.40	CW	.50	3.50	1/4
00352	L35EMR1	35	115	1.40	CCW	.50	3.50	1/4
00353	L35EM2	35	230	.70	CW	.50	3.50	1/4
00354	L35EMR2	35	230	.70	CCW	.50	3.50	1/4

1500 RPM – 3/8" Smooth Flatted Shaft

MARS NO.	EMS NO. ESP-	WATTS OUTPUT	VOLTS	AMPS	ROT OSE	DIMENSIONS		
						A	B	C
00501	OL50EM1	50	115	1.70	CW	1.50	4.50	3/8
00502	OL50EMR1	50	115	1.70	CCW	1.50	4.50	3/8
00505	OL50EM2B	50	230	.85	CW	1.50	4.50	5/16
00503	OL50EM2	50	230	.85	CW	1.50	4.50	3/8
00504	OL50EMR2	50	230	.85	CCW	1.50	4.50	3/8
00508 ⁽¹⁾	OL50EM1B1	50	115	1.70	CW	2.89	4.50	5/16
00513	OL60EM2	50	208-230	1.20	CW	2.89	4.50	3/8

(1) 2 female spade terminals at end of each wire

PSC 1500 RPM – 3/8" Smooth Flatted Shaft

MARS NO.	EMS NO. ESP-	WATTS OUTPUT	VOLTS	AMPS	ROT OSE	DIMENSIONS		
						A	B	C
00521	OL50EM13	50	115	1.40	CW	1.50	4.80	3/8
00522	OL50EM26	50	230	0.79	CW	1.50	4.80	3/8



The largest selection of motors, components and accessories for the HVAC/R Industry

Unit Bearing Motors - High Efficiency ESP

3⁷/₈ inch dia. MARS SERIES **002**



EM&S



EM&S Agitator Motors

These motors are designed for the needs of the beverage dispensing industry. The motors are totally enclosed for moisture protection and operate in a no air-over ambient installation.

Features:

- Cast iron unit bearing
- End or side pad mounting
- Pressurized oil system

Specifications:

- 60 Hertz
- Hardened stainless steel shaft

MARS NO.	MFG. NO.	HP	VOLTS	RPM/SPEEDS	ROT LE	AMPS	DIMENSIONS		
							A	B	D
00402	ESP-LI5EMJR1B1	15W	115	1500/1	CCW	.60	7.00	3.17	–
3 ⁷ / ₈ inch diam., cast iron unit bearing motor, ⁵ / ₁₆ " shaft with 1/4 - 20 threaded end 11 No. 8-36 mounting screws, end or side pad mounting, 13 inches external lead length with two 1/4" quick connects									
REPLACES: 31-4072, 309369, Reed 37-033-24-165, Rotom R6203									
00404	ESP-L25EMJR1B1	25W	115	1500/1	CCW	1.10	7.00	3.17	–
3 ⁷ / ₈ inch diam., cast iron unit bearing motor, ⁵ / ₁₆ " shaft with .095 dia. pin hole .375 inches from shaft end, includes 11 No. 8-36 motor mounting screws, end or side pad mounting, 21.75 inches external lead length with EMP plug or equivalent									
REPLACES: Alco 36115; Booth 106-134; Cornelius 31-0154; Multiplex 00753715, 00753716; Rowe 555-4583									

Unit Bearing Motors - ECM Unitronix

MARS SERIES **006**

EM&S



The universal 5 rear mounting hole configuration and the double boss with 4 drilled and tapped mounting holes on each boss mean *no additional labor or sheet metal work!*



Evaporator/Condenser

Motors & Armatures, Inc. proudly introduces the Electric Motors & Specialties, Inc. new ECM for refrigerated case evaporator and condenser applications, the Unitronix Double Duty. The Unitronix Double Duty is an electronically commutated motor that brings outstanding energy savings to the refrigeration market in the form of a direct drop-in replacement for practically all unit bearing motors. No additional labor or sheet metal work is required to replace an existing shaded pole unit bearing motor with a Unitronix Double Duty.

Heat in a refrigerated space has always been a necessary evil in the food marketing industry. Lights, motors and defrost heating elements are the culprits. But, heat shortens food storage life and adds to the load placed on the refrigeration system. The new Unitronix Double Duty dramatically reduces (by as much as 75%) the waste heat generated by refrigerated case evaporator motors.

The Unitronix Double Duty is the latest in a long line of innovations by EM&S, a 35 year leader in developing energy saving motor designs for the commercial refrigeration industry. EM&S motors are manufactured in the U.S.

Features:

- Special wide temperature range lubrication system
- High capacity oil reservoir spiral grooved shaft for efficient distribution of oil to the bearing surface
- Mounting hardware included
- Water shield included
- Tapped & Drilled Mounting Holes:

Universal Evaporator Mount

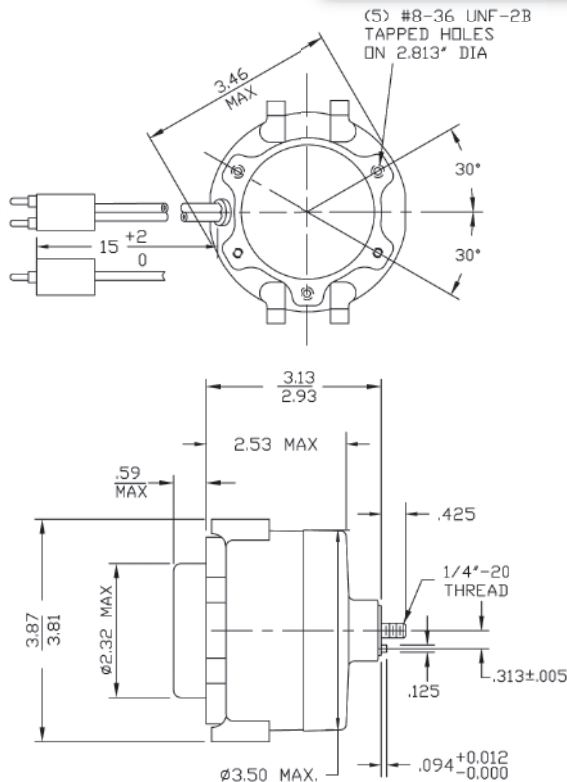
- Standard 3-Hole
- Custom 4-Hole Hussmann Style

Universal Condenser Mount

- Double Boss

Specifications:

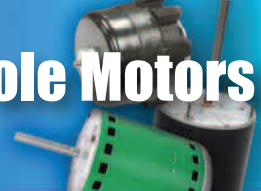
- 1550 RPM standard
- cast iron
- unit bearing
- EMF P-2-1A lyall power plug
- 15" leads
- UL file no. E128044



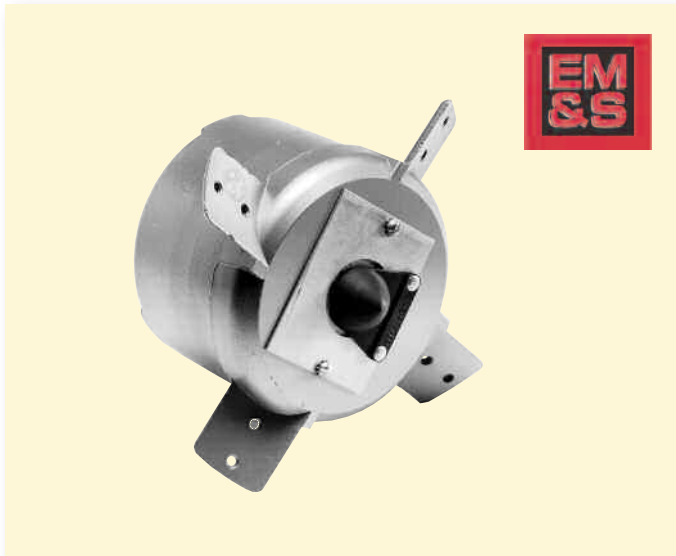
MARS NO.	APPLICATIONS	OUTPUT WATTS	VOLTS	NOMINAL AMPS	ROT OSE	RPM	MARS PACK
00621	Evaporator/Condenser	6-12	115	0.25	CW	1550	1
00621 BULK	Evaporator/Condenser	6-12	115	0.25	CW	1550	6
00622	Evap/Cond, 90° Lyall Plug	6-12	115	0.25	CW	1550	1
00624	Evaporator/Condenser	14-16	115	0.50	CW	1550	1
00624 BULK	Evaporator/Condenser	14-16	115	0.50	CW	1550	6
00625	Evap/Cond, 90° Lyall Plug	14-16	115	0.50	CW	1550	1

Fan Motors - Single Phase - PSC or Shaded Pole Motors

5 1/4 inch dia. MARS SERIES 000



EM&S



EM&S 4 lug PSC motors

features:

- Ball bearings
- 5 1/4 inch diameter models
- 4 lug PSC type
- All motors have two mounting holes in each lug (obsolete S16 series had three)
- Capacitor included on PSC motors

specifications:

- Single phase, 60 Hertz
- overload protection
- Continuous, air over
- select fan blades below

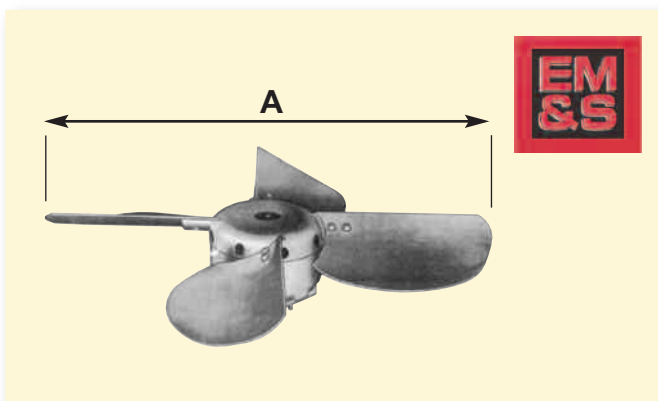
MARS NO.	EMS NO.	HP	VOLTS	AMPS	RPM	ROT OSE	CAP INCLUDED	HUB TYPE ⁽¹⁾	NO. OF LUGS
----------	---------	----	-------	------	-----	---------	--------------	-------------------------	-------------

5 1/4 Inch Permanent Split Capacitor - 4 Lugs - Ball Bearings

00024	S60BHU4L6-C2	1/6	230	1.3	1050	CCW	2/440	unvented	4
00025 ⁽²⁾	S60BHU4L9-C1	1/5	230	1.4	1050	CCW	3/440	unvented	4
00026	S60BCU4L1-C1	1/5	115	3.5	1050	CCW	10/370	unvented	4
00027	S60BHU4L3-C1	1/5	230	1.8	1050	CCW	3/440	radial vents	4

(1) Motors with unvented hubs are not interchangeable with motors having vented or open hubs

(2) Replaces EMS No. S60HUB2



EM&S Aluminum Fan Blades For ESP 60 and S Series Motors

Determine diameter required from old motor with blades mounted. Two mounting holes in each blade.

MARS NO.	EMS NO.	BLADES PER SET	DIAMETER "A" WITH BLADES MOUNTED	APPLICATION
95154	M-7657 ESP60 and S60	4	15 inches	unit heaters
95184	M-1918	4	18 inches	unit heaters
95185	M-12128	4	18 inches	air conditioners
95204	L-7471-2	4	20 inches	A/C & unit heaters
95214	M-12185	4	21 3/8 inches	air conditioners
95244	L-12199	4	24 inches	air conditioners



ECM 51 Frame Commercial Refrigeration Motors

EM&S manufactures an ECM unit bearing construction motor that can serve as a drop-in replacement for the obsolete GE 55/44 frame ECM 1650 or 1850 rpm motor. This motor is available in a 9 watt and a 16 watt version. This promises substantial energy savings and potentially fast pay-back on the cost of conversion.

Features:

- Ultra high efficiency • improved reliability
- Enhanced airflow performance
- Energy savings of 66 percent over a wide speed range
- Low operating temperature
- Lyall plug or EMF plug
- Accessories included with each motor; (1) speed nut, (1) resilient fan silencer, (3) 8-36 mounting screws, (1) rainshield
- Replaces GE ECM 55/44 frame motors

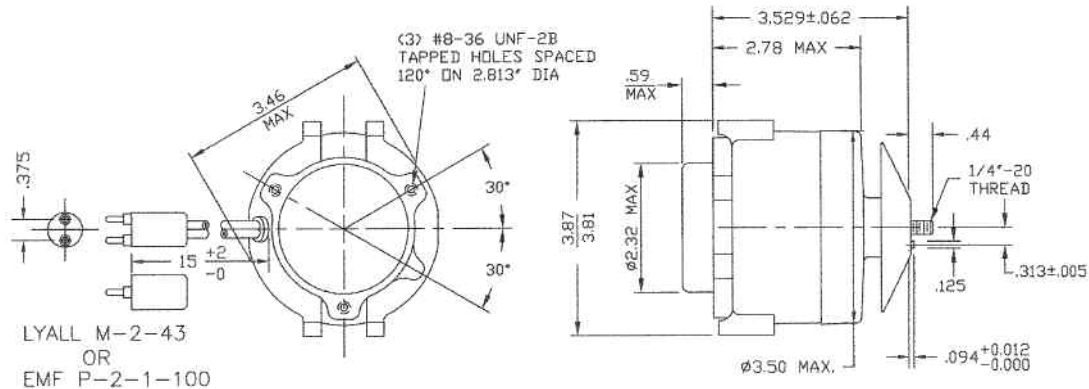
Specifications:

- Totally enclosed air over
- Unit bearing
- 1/4 - 20 threaded shaft
- 60 hertz

ECM installation's average annual energy savings versus shaded pole motors

05443	\$35
05444	\$55

@ 8¢ KWH and 1.75 multiplier on energy saving



MARS NO.	WATTS	RPM	ROT OSE	VOLTS	AMPS	LEAD LENGTH
05443	9	1650	CW	115	.32	12"
05444	16	1850	CW	115	.4	12"

Refrigeration Fan Motors - ECM

MARS SERIES **064**



MORRILL



58 MM Series Replacement ECM Fan/Motor System

The 58MM Series replacement ECM Fan/Motor systems are primarily used in commercial refrigeration air moving applications demanding high efficiency and dependability. These motors are moisture resistant, reliable, quiet unit bearing design with efficiencies three times higher than shaded pole motors and 45% higher than PSC. These replacement ECM Fan/Motor systems are all metal in design and have 1 discrete speed, variable torque, low temperature lubrication system which makes them extremely quiet with low vibration.

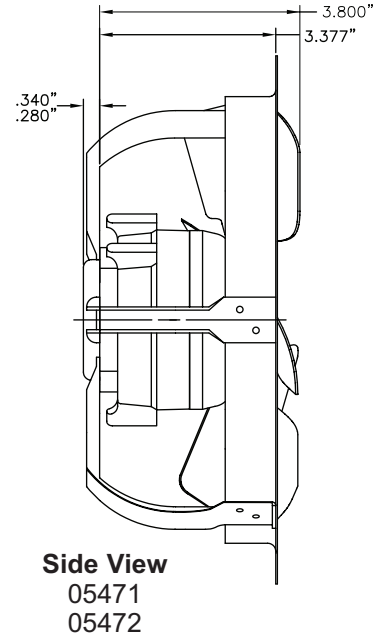
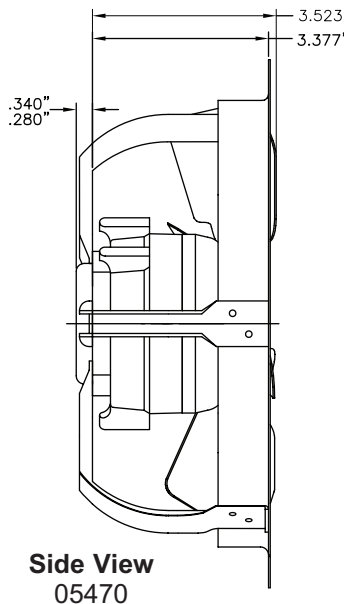
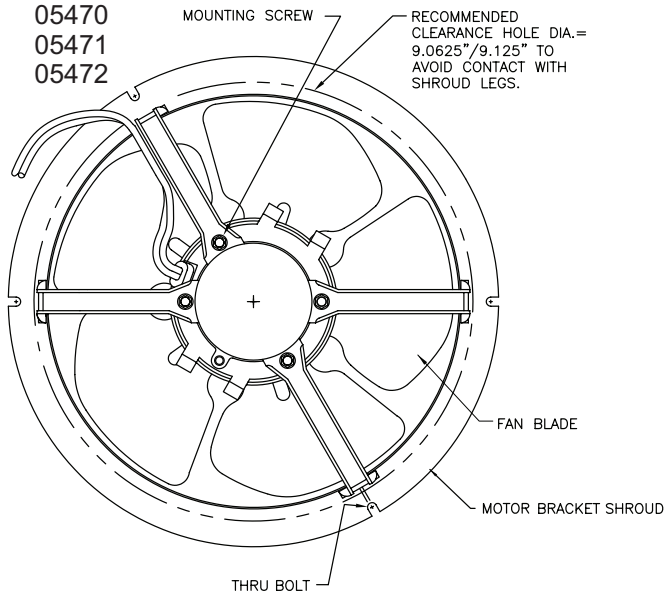
Features:

- Lyall plug
- Class B insulation
- 60 Hertz
- Thermal protection
- Single phase

Specifications:

- -40 to 55°C ambient operating temp.
- Single speed
- Maximum watts 36

Rear View



MARS NO.	MFG NO.	GE NO. 5SME58	REPLACES RPM	VOLTAGE	MAX AMPS	ROT. OSE	AT 0.05" CFM	AT 0.10" CFM	AT 0.15" CFM
05470	5R026	AAF1027	1340	115	0.30	CW	330	270	210
05471	5R027	AAF1026	1470	115	0.40	CW	370	300	200
05472	5R028	AAF1031	1650	115	0.40	CW	400	360	255



Refrigeration Fan Motors - ECM

MARS SERIES **064**

Morrill Motors® 58 MM Series ECM Fan/Motor System™ (cont.)

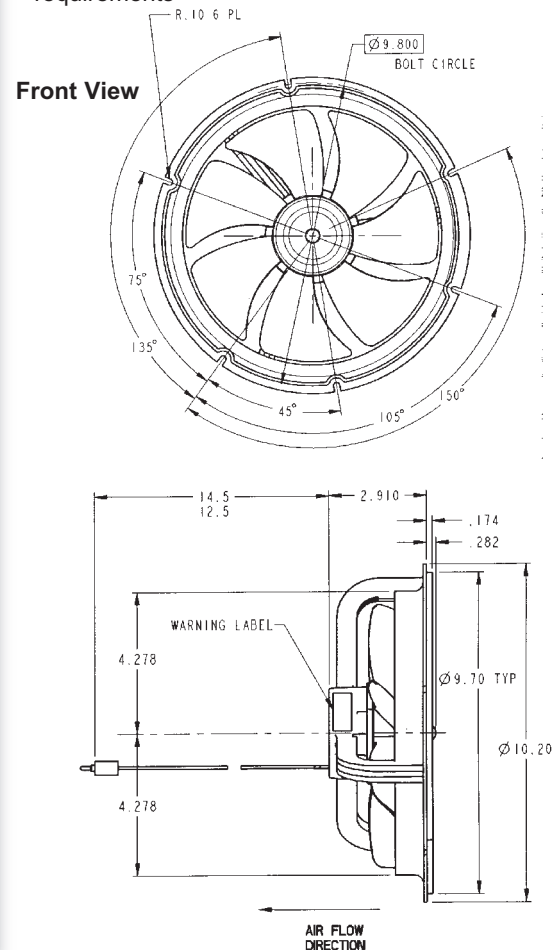
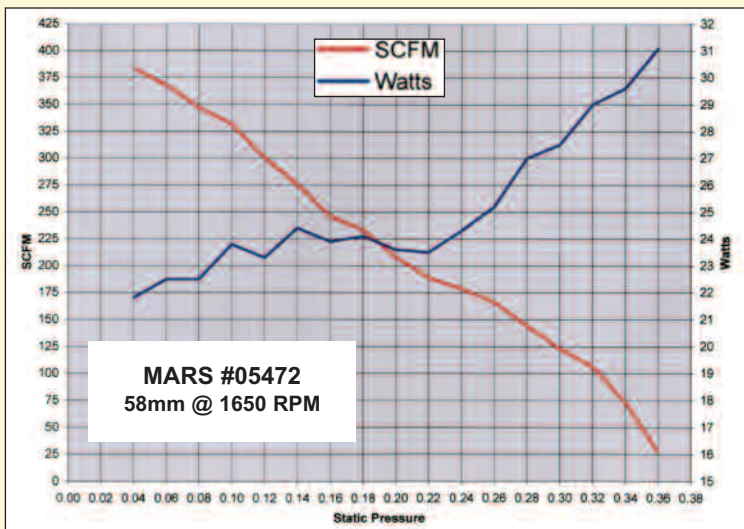
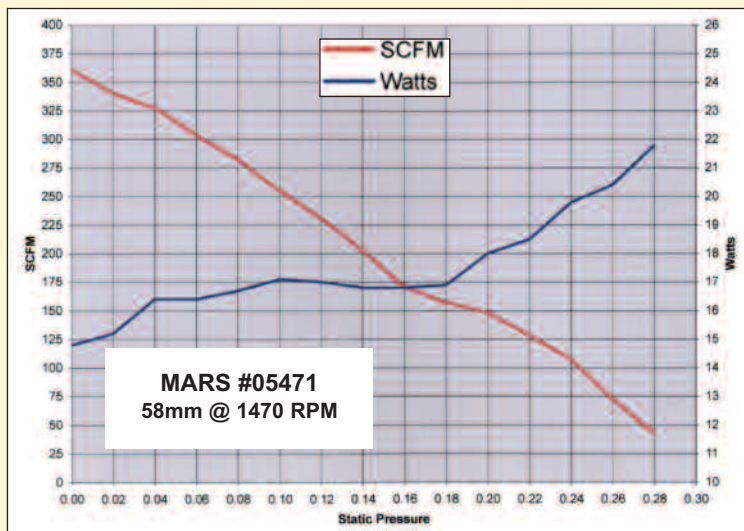
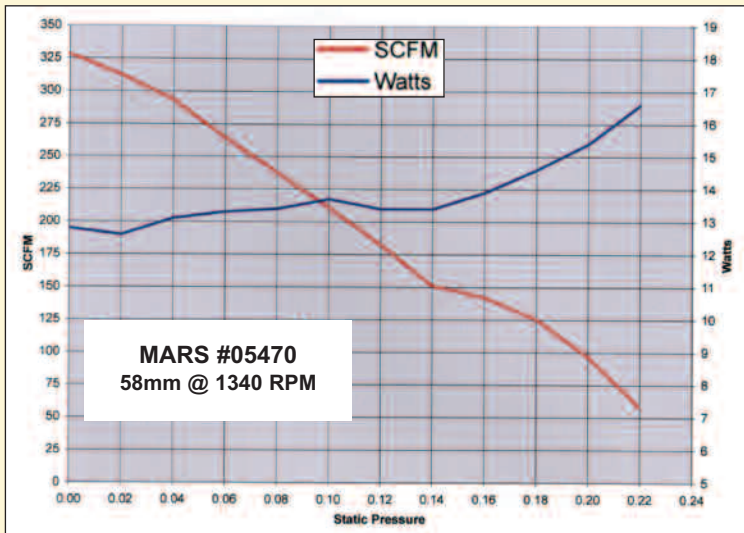
MORRILL

Features:

- Moisture Resistant Design for high reliability in wet operating conditions
- Ultra high efficiency brushless DC motor
- Field Proven, Patented GE Electronic Control System
- Drop-in fit for many existing installations (consult with your local MARS sales representative)
- Forward curved asymmetrical fan blade design allows quiet, low vibration operation
- Specially designed air foil with low tip clearance to venturi for high efficiency and low noise
- Snap-In power cord with Lyall plug

Specifications:

- Ball Bearings
- Special low temp lubrication system rated to -40 degrees C.
- 65 degrees C max. ambient
- IEEE C62.41, surge voltages in low voltage AC power circuits.
- IEC 801-4, electrical fast transient and burst requirements



Refrigeration Fan Motors - ECM

MARS SERIES **064**



MORRILL



SSC™

The Morrill SSC unit bearing motor is primarily used in commercial refrigeration applications, both evaporator and condenser, but can be used in any application demanding high efficiency and dependability with output ratings between 4 – 12 watts and 13-23 watts.

The SSC significantly outperforms both shaded pole and PSC technology. With efficiencies three times higher than shaded pole motors and 45% higher than PSC, in addition to the reliable and quiet unit bearing design, the SSC provides users great reliability and excellent energy savings for their applications.

Environmental Summary:

- Storage Temps: -40 to 80° C ambient
- Operating Temps: -40 to 55° C ambient
- Design Life: 10 years, 83,720 hours on time

Mechanical Summary

- 3.3" Electronically commutated aluminum or cast iron unit bearing
- ¼" x 20 threaded shaft
- Aluminum enclosure (totally enclosed)
- Five .150" diameter cored mounting holes on rear
- Horizontal shaft (+/- 15°) or vertical shaft up operating position
- Standard 18 gauge, 2 conductor leads
- Lead cord may be terminated with 1/2" stripped wire, in-house molded plugs, eyelets, ¼" quick connects, or special terminals
- RoHS compliant

Applications:

- Bottle coolers
- Display cases
- Reach-In coolers
- Vending machines

Features:

- Output 4 – 12W and 13 – 23W
- ~66% peak efficiency
- Speed regulated within +/-6%
- Regulated speed; +/-6% Full Scale
- 1 Discrete speed
- 51fr Unit bearing motor; cast aluminum frame
- Side pedestal mounting feet (2 sets standard)

MARS NO.	APPLICATION	OUTPUT WATTS	VOLTS	ROT.	RPM	MARS PACK
00650	Evaporator/Condenser	4-12	115	CW	1550	1
00651	Evaporator/Condenser	4-12	230	CW	1550	1
00652	Evaporator/Condenser (90° lyall plug)	4-12	115	CW	1550	1
00654	Evaporator/Condenser	13-23	115	CW	1550	1
00655	Evaporator/Condenser	13-23	230	CW	1550	1
00656	Evaporator/Condenser	13-23	115	CCW	1550	1
00657	Evaporator/Condenser	13-23	230	CCW	1550	1

Refrigeration Fan Motors - ECM

3.3 inch dia. MARS SERIES **064**



ARKTIC™ 59

The Morrill ARKTIC 59 motor is primarily used in the evaporator of commercial refrigeration walk-in coolers and freezers, but can be used in any application demanding high efficiency and dependability with output ratings up to 50 watts. The ARKTIC 59 significantly outperforms both shaded pole and PSC technology with efficiencies three times higher than shaded pole motors and 40% higher than PSC. In addition to the reliable design, the ARKTIC 59 provides users the ease of drop-in replacement and extraordinary energy savings for their applications.

Features:

- Universal "Drop-In" replacement for walk-in evaporator applications
- Totally enclosed, non-vented
- Shaft water slinger
- Standard thru-bolt configuration
- All angle mount
- Power cord with Iyall plug

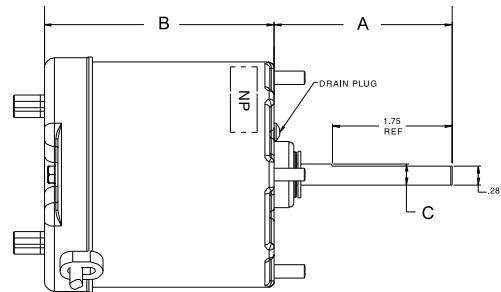
Specifications:

- Automatic torque variation, constant speed
- Low temp (-20° F) lubrication system
- 50/60 Hz
- 1 Discrete speed
- CUL (CE & VDE pending) UL file # E306123
- Ball bearing
- Thermally protected



MORRILL

MARS NO.	DESCRIPTION	MARS PACK
08040	Krack Refrigeration Retrofit Bracket Kit	1



1550 RPM - Front Or Rear Thru-Bolt Mount

MARS NO.	MFG MODEL 5SME59	NOMINAL HP	VOLTS	AMPS	OSE ROT	A	DIMENSIONS B	C
05104	BVA 1036	1/15	115	1.10	CW	2.61	3.36	5/16
05105	BVA 1038	1/15	115	1.10	CCW	2.61	3.36	5/16
05204	BVA 2037	1/15	208-230	0.63	CW	2.61	3.36	5/16
05205	BVA 2039	1/15	208-230	0.63	CCW	2.61	3.36	5/16

1550/800 RPM - Two Speed - Front or Rear Thru Bolt Mount

MARS NO.	MFG MODEL 5SME59	NOMINAL HP	VOLTS	AMPS	OSE ROT	A	DIMENSIONS B	C
05127	BVA 1065	1/15	115	1.10	CCW	2.61	3.36	5/16
05128	BVA 1066	1/15	115	1.10	CW	2.61	3.36	5/16
05227	BVA 2070	1/15	208-230	0.63	CCW	2.61	3.36	5/16
05228	BVA 2071	1/15	208-230	0.63	CW	2.61	3.36	5/16



ECR One ECM Evaporator Condenser Fan Motor

ECR One ECM Evaporator condenser fan motor is higher in efficiency and uses 70% less energy. This motor is a drop in replacement for shaded pole and PSC motors. The ECR One ECM motor is designed with 7 holes for 3 and 4 mounting configuration. It is IP55 - designed to operate in a high moisture environment.

Applications:

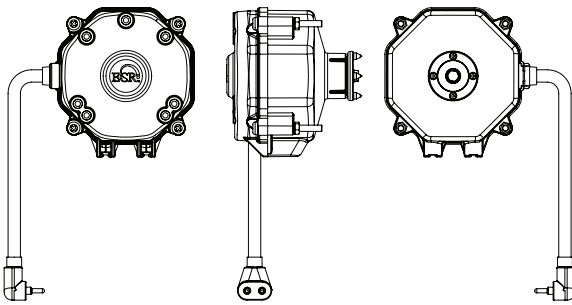
- Supermarket refrigerators
- Beverage merchandisers
- Vending machines
- Other condenser and evaporator applications
- Walk-in coolers and freezers

Features:

- Drop in retrofit solution
- High efficiency
- Moisture resistant
- 90° Lyall Plug

Specifications:

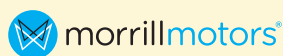
- Fully enclosed, ball bearing
- Operating temperature: -22°F to +122°F
- 15" Lead Length
- Electronic control protected
- Seal on shaft and water repellent labyrinth
- UL, cUL certified



MARS NO.	MFG #	WATTS	VOLTAGE	RPM	ROT. (OSE)
05484	ECR01A0241	9	115	1500	CW

Refrigeration Fan Motors - ECM

5½ inch dia. MARS SERIES 064



ARKTIC™ 142

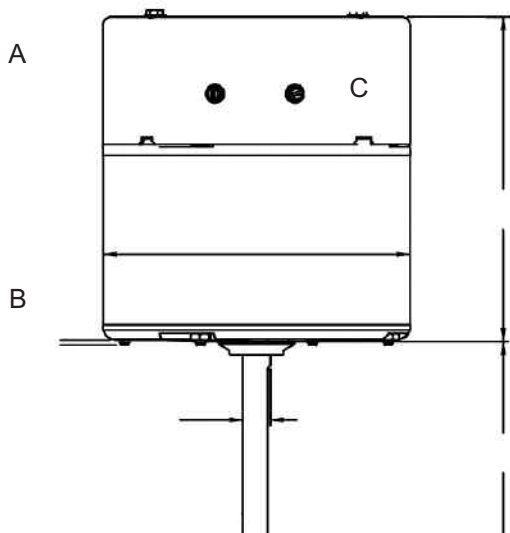
The ARKTIC 142 Series of ECM's manufactured by Morrill, offers significant energy savings over traditional PSC or shaded pole designs. ARKTIC 142 ECM's can be applied in condenser or evaporator applications requiring 1/5 or 1/3 HP output at 1050 RPM.

Applications:

Designed for condenser and evaporator fans for walk-in refrigerators, walk-in freezers and similar applications.

Features:

- Three phase drive, NEMA 48FR BLDC motor; TEAO
- 77% Motor efficiency @ 1050 RPM full load
- Regulated speed; +/-6% full scale
- -40 Deg C to 55 Deg C Amb.
- 1/2" Diameter, single flat shaft ext. up to 6.0"
- Totally enclosed, non-vented (air-over ECM required)
- Shaft water slinger
- 26" cord set attached to motor
- Ball bearings
- Horizontal-vertical down orientation desired
- RoHS compliant
- 60/50 Hz



1050 RPM

MARS NO.	MFG MODEL 5SME59	NOMINAL HP	VOLTS	AMPS	OSE ROT	DIMENSIONS		
						A	B	C
03604	DLHE044	1/5	115	4.6	CW	3.92	5.45	.5
03605	DLHE053	1/5	208-230	1.9-2.8	CW	3.92	5.45	.5
03606	DLHE052	1/3	115	5.8	CCW	3.92	5.95	.5
03607	DLHE043	1/3	208-230	2.6-3.5	CCW	3.92	5.95	.5

M-30

The largest selection of motors, components and accessories for the HVAC/R Industry



MORRILL

Unit Bearing Motors - Shaded Pole

3 1/2 inch dia. MARS SERIES **050**

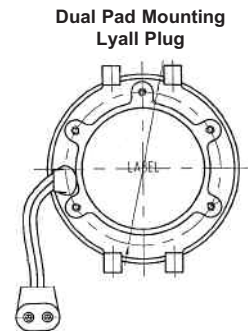
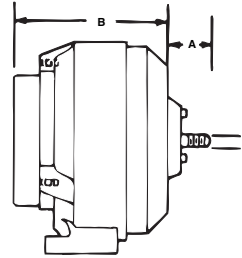


51 Frame Unit Bearing Cast Iron Motors

MARS 51 frame motors are used on refrigerators, freezers, food & beverage coolers, vending machines, display cases, and many other fan duty applications.

Features:

- Cast iron construction
- Proven unit bearing design
- Packed with vibration dampener, speed nut & screws
- Shaded pole, single phase
- Fan duty, continuous, air over
- Impedance protected
- Accessories on pages M-73 to M-75
- Class "B" insulation • 60/50 Hertz



1000 RPM—1/4-20 Threaded Shaft

MARS NO.	WATTS	ROT OSE	VOLTS	AMPS	LEAD LENGTH	DIMENSIONS		
						A	B	C
05111 ⁽¹⁾	2.5	CW	115	0.30	26"	0.66	2.64	1/4

1550 RPM—1/4-20 Threaded Shaft

MARS NO.	WATTS	ROT OSE	VOLTS	AMPS	LEAD LENGTH	DIMENSIONS		
						A	B	C
05211 ⁽¹⁾	4	CW	115	0.27	26"	0.66	2.64	1/4
05212 ⁽¹⁾	4	CCW	115	0.27	26"	0.66	2.64	1/4
05221 ⁽¹⁾	4	CW	230	0.16	26"	0.66	2.64	1/4
05222 ⁽¹⁾	4	CCW	230	0.16	26"	0.66	2.64	1/4
05311	6	CW	115	0.40	26"	0.66	3.14	1/4
05312	6	CCW	115	0.40	26"	0.66	3.14	1/4
05411	9	CW	115	0.50	26"	0.66	3.14	1/4
05412	9	CCW	115	0.50	26"	0.66	3.14	1/4
05421	9	CW	230	0.25	26"	0.66	3.14	1/4
05422	9	CCW	230	0.25	26"	0.66	3.14	1/4
05811 ⁽²⁾	16	CW	115	1.0	24"	0.66	3.34	1/4
05812 ⁽²⁾	16	CCW	115	1.0	24"	0.66	3.34	1/4
05821 ⁽²⁾	16	CW	230	0.50	24"	0.66	3.34	1/4
05822 ⁽²⁾	16	CCW	230	0.50	24"	0.66	3.34	1/4

1500 RPM—1/4-20 Threaded Shaft

MARS NO.	WATTS	ROT OSE	VOLTS	AMPS	LEAD LENGTH	DIMENSIONS		
						A	B	C
05911 ⁽²⁾	25	CW	115	1.1	22"	0.50	3.50	1/4
05921 ⁽²⁾	25	CW	230	0.60	22"	0.50	3.50	1/4
05711 ⁽²⁾	35	CW	115	1.4	22"	0.50	3.50	1/4
05721 ⁽²⁾	35	CW	230	0.70	22"	0.50	3.50	1/4

1500 RPM—Smooth Shaft

MARS NO.	WATTS	ROT OSE	VOLTS	AMPS	LEAD LENGTH	DIMENSIONS		
						A	B	C
05511 ⁽²⁾	50	CW	115	1.7	22"	1.50	4.50	3/8
05521 ⁽²⁾	50	CW	230	0.85	22"	1.50	4.50	3/8

1550 RPM—1/4-20 Threaded Shaft - Dual Pad Mounting - Lyall Plug

MARS NO.	WATTS	ROT OSE	VOLTS	AMPS	LEAD LENGTH	DIMENSIONS		
						A	B	C
05614	4	CW	115	0.27	26"	0.66	2.64	1/4
05616	6	CW	115	0.40	26"	0.66	3.14	1/4
05619	9	CW	115	0.50	26"	0.66	3.14	1/4
05626	16	CW	115	1.0	24"	0.66	3.34	1/4

(1) Class A Insulation (2) Automatic Reset Overload Protection

Unit Bearing Motors - Shaded Pole - GE

3½ inch dia. MARS SERIES **050**



GE



51 Frame Unit Bearing Aluminum Motors

GE aluminum 51 frame motors are economical replacements for cast iron motors. They feature an improved oiling system and class B insulation for longer life.

Features:

- Aluminum construction
- Unit bearing design
- Packed with accessories
- Shaded pole, single phase
- Fan duty, all angle
- Continuous, air over
- Impedance protected
- Accessories on pages M-73 to M-75
- Class B insulation
- 60/50 Hertz

1000 RPM—1/4-20 Threaded Shaft

MARS NO.	GE NO. 5KSM81	WATTS	ROT OSE	VOLTS	AMPS	LEAD LENGTH
05113 ⁽¹⁾	FFL0002	2.5	CW	115	.30	26"

1550 RPM—1/4-20 Threaded Shaft

MARS NO.	GE NO. 5KSM81	WATTS	ROT OSE	VOLTS	AMPS	LEAD LENGTH
05213 ⁽¹⁾	FFL0003	4	CW	115	.27	26"
05223 ⁽¹⁾	FFL0005	4	CW	230	.16	26"
05313	FFL1002	6	CW	115	.40	26"
05413	FFL1000	9	CW	115	.50	26"
05414	FFL1004	9	CCW	115	.50	26"
05423	FFL1005	9	CW	230	.25	26"
05813 ⁽¹⁾⁽²⁾	FFL3000S	16	CW	115	1.00	26"
05814 ⁽¹⁾⁽²⁾	FFL3001S	16	CCW	115	1.00	26"
05823 ⁽¹⁾⁽²⁾	FFL3002S	16	CW	230	.50	26"

1550 RPM—1/4-20 Threaded Shaft - Lyall Plug

MARS NO.	GE NO. 5KSM81	WATTS	ROT OSE	VOLTS	AMPS	LEAD LENGTH
05119	FFL1032	9	CW	115	.55	13" w/ Lyall plug
05120	FFL1106	9	CW	115	.55	13" w/ 90° Lyall plug
05130	FFL3017S	30	CW	115	1.50	14.5" w/ Lyall plug

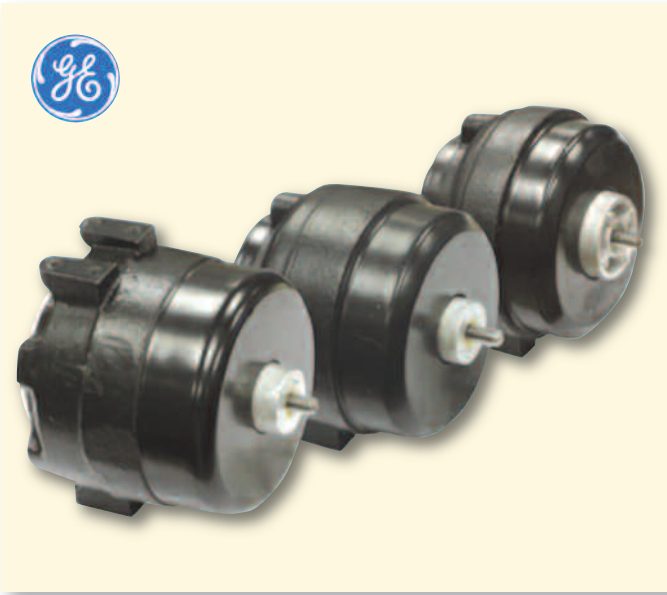
(1) Class A insulation

(2) Automatic reset overload protection



Unit Bearing Motors - PSC - GE

3 1/2 inch dia. MARS SERIES **050**

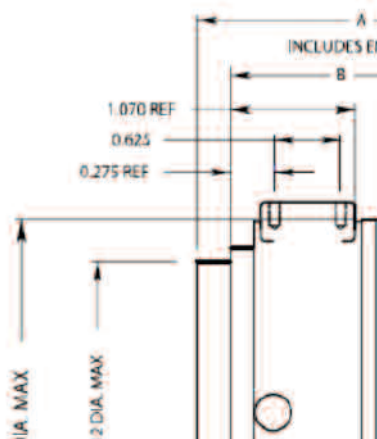


51 Frame Unit Bearing Cast Iron Permanent Split Capacitor (PSC) Motors

This new PSC GE unit bearing motor is designed for refrigeration, food/beverage coolers, blowers and fans, vending machines, walk-in coolers, condensing units and other similar applications. Unique design features in the bearing/lubrication and insulation systems provide years of dependable operation.

Standard features:

- -20°C to 70°C Oil
- Impedance protection except 16w - auto overload
- Threaded shaft 1/4 - 20, 0.51/0.41" long
- 26 inch lead length with 1/2" bare wire stripped
- Single speed
- Totally enclosed air over (TEAO) designs
- Cast Iron construction
- One side pad
- Small nose rotor
- No external capacitor needed
- Individually boxed
- Accessories on pages M-73 to M-75



Cross Reference

MARS PSC REPLACEMENT NO.	MFG NO.	MARS SHADED POLE NO.	MFG NO.
05315	5KPM81HFL0095	05211	5KSM81HFL0008
05415	5KPM81HFL1086	05411	5KSM81HFL1001
05425	5KPM81HFL1087	05421	5KSM81HFL1010
05815	5KPM81HFL2046S	05811	5KSM81HFL3004S
05825	5KPM81HFL3047S	05821	5KSM81HFL3006S

Easy installation

- All motors have self-tapping holes for use with self-tapping screws
- Side pad or opposite shaft end mounting
- Drop-in replacement for existing 81mm unit bearing motors

MARS NO.	MFG NO.	HP	VOLTS	FULL LOAD AMPS	ROT.	A (in)	B (in)	Energy Savings Per Year			MARS PACK
								Duty Cycle 100%	Duty Cycle 80%	Duty Cycle 50%	
05315	5KPM81HFL0095	5W	115	0.2	CW	3.15	2.36	\$12.40	\$9.92	\$6.20	1
05325	5KPM81HFL0096	5W	230	0.1	CW	3.15	2.36	12.40	9.92	6.20	1
05415	5KPM81HFL1086	9W	115	0.3	CW	3.82	2.93	13.00	10.40	6.50	1
05425	5KPM81HFL1087	9W	230	0.2	CW	3.82	2.93	13.00	10.40	6.50	1
05815	5KPM81HFL3046S	16W	115	0.6	CW	3.98	3.33	28.70	22.96	14.35	1
05825	5KPM81HFL3047S	16W	230	0.3	CW	3.98	3.33	28.70	22.96	14.35	1

Unit Bearing Motors - Shaded Pole - GE

3 1/2 inch dia. MARS SERIES 050



EM&S

GE



51 Frame Motors For Domestic Refrigeration

Features:

- Single phase, shaded pole
- Fan duty, continuous, air over
- Class A insulation
- 60/50 Hertz
- Impedance protected
- Accessories on page M-73 to M-75

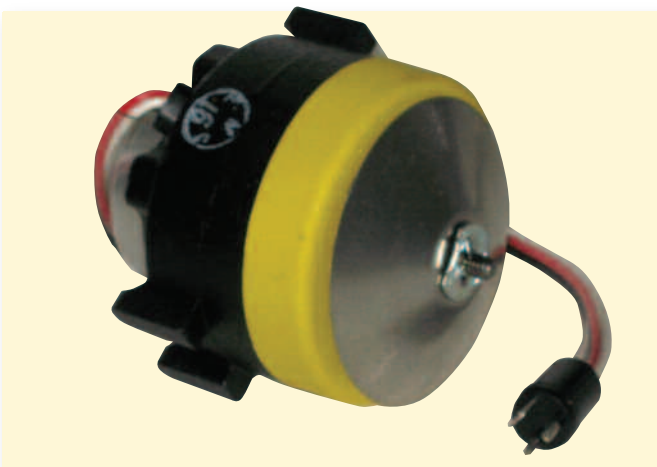
1550 RPM

MARS NO.	GE NO. 5KS	WATTS	ROT OSE	VOLTS	AMPS	SHAFT	REPLACES	MARS PACK
05109	M81FFL0065	2	CW	115	.25	1/4-20 threaded	most refrigerators and freezers	12
05109BOX	M51AG3070	2	CW	115	.25	1/4-20 threaded		1
05110 ^{(1)*}	M51AG3144	2	CW	115	.25	1/4-20 threaded		1

(1) Push-on terminals, no leads * Limited quantities available, while supplies last

Unit Bearing Motors - PSC - EM&S

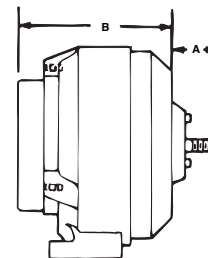
MARS SERIES 002



EM&S PSC Type Replacement For GE

Features:

- Drop-in replacement
- Single phase PSC
- Fan duty, continuous, air over
- Low temp oil
- Reliable unit bearing
- Internal capacitor



1660 rpm

MARS NO.	GE NO. 5KS	WATTS	ROT OSE	VOLTS	AMPS	SHAFT	DIMENSIONS	
							A	B
00114	RS4BEB6E14	4	CW	115	.20	1/4-20 threaded	.400	2.50
00117*	RS4BEB9E12	9	CW	115	.26	1/4-20 threaded	.400	2.50

* 00117 replaces Hussmann SVC 441-302

M-34

The largest selection of motors, components and accessories for the HVAC/R Industry





OEM Direct Replacement Motors For Tyler Refrigeration

Features:

- Manufactured by Morrill Motors in Irwin, TN
- Aluminum construction
- Universal 5 hole rear mount
- Dual mounting pads

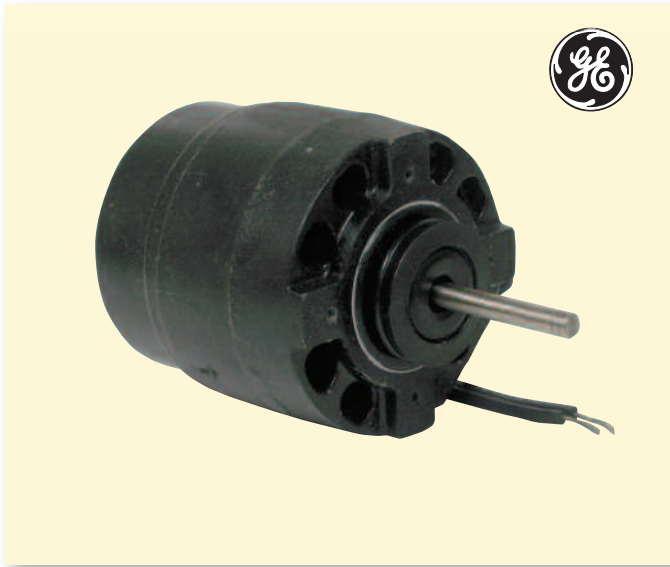


MORRILL

MARS NO.	WATTS	VOLTS	AMPS	ROTATION	TYLER NO.
00660	5	115	.30	CW	51255320
00661	9	115	.53	CW	52434980

Unit Bearing Motors - Shaded Pole - GE

4 inch dia. MARS SERIES 010



5KSP11 Unit Bearing Shaded Pole Motors

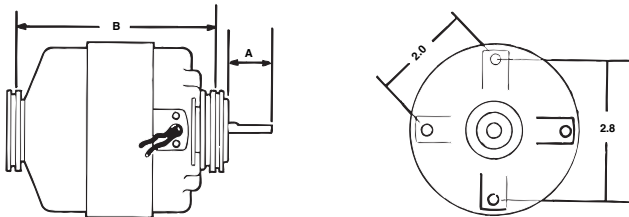
GE 5KSP11 shaded pole motors are suitable for use in a wide variety of fan duty applications. Proven all-angle unit bearing design for trouble free operation. Can be resilient base, strap, or end mounted.

Features:

- All angle unit sleeve bearings
- Resilient base, strap, or end mounting
- 5/16 inch shaft diameter ground lead
- 12 inch leads
- For mounting bases & accessories see page M-73 to M-75
- See the airMARS section of this catalog for fan blades & accessories

Specifications:

- Single phase, 60 Hertz
- Overload protection
- Fan duty, continuous, air over
- Shaft end has four 8-32 tapped holes



1550 rpm - 4 pole

MARS NO.	GE NO. 5KSM92	HP	VOLTS	AMPS	ROT OSE	ENCL	DIMENSIONS		BASE NO.
							A	B	
01431	KFL2005S	1/30	115	1.74	CW	OPEN	1.25	4.82/4.70	08042
01441	KFL2003S	1/30	115	1.74	CCW	OPEN	1.25	4.82/4.70	08042
01432	KFL2009S	1/30	208-230	.87	CW	OPEN	1.25	4.82/4.70	08042
01442	KFL1009S	1/30	208-230	.87	CCW	OPEN	1.25	4.82/4.70	08042
01331 ⁽¹⁾	KFL2011S	1/20	115	2.2	CW	OPEN	2.00	4.82/4.70	08042
01341 ⁽¹⁾	KFL2004S	1/20	115	2.2	CCW	OPEN	2.00	4.82/4.70	08042
01332 ⁽¹⁾	KFL2007S	1/20	208-230	1.1	CW	OPEN	2.00	4.82/4.70	08042
01342 ⁽¹⁾	KFL2012S	1/20	208-230	1.1	CCW	OPEN	2.00	4.82/4.70	08042
01232 ⁽²⁾⁽³⁾	KFL3006S	1/15	230	1.2	CW	OPEN	1.50	4.875	NONE

(1) 34 inch leads
 (2) 30 inch leads
 (3) 60/50 Hertz



Refrigeration Fan Motors - Shaded Pole

MARS SERIES 008



NU Series Shaded Pole Motors

MARS is proud to introduce Elco NU Series shaded pole motors which are widely used in the HVAC & Refrigeration industry. These motors are suitable for all angle operation and have multiple mounting features. The NU series motors are used in industrial and commercial refrigeration for condensing and evaporating units, ventilating units, freezers, walk-in and reach-in coolers, food and beverage coolers and many other fan duty applications.

Features:

- Single speed
- Output 4 to 34 watts
- Totally enclosed
- Continuous air over
- 1 year Limited warranty

Specifications:

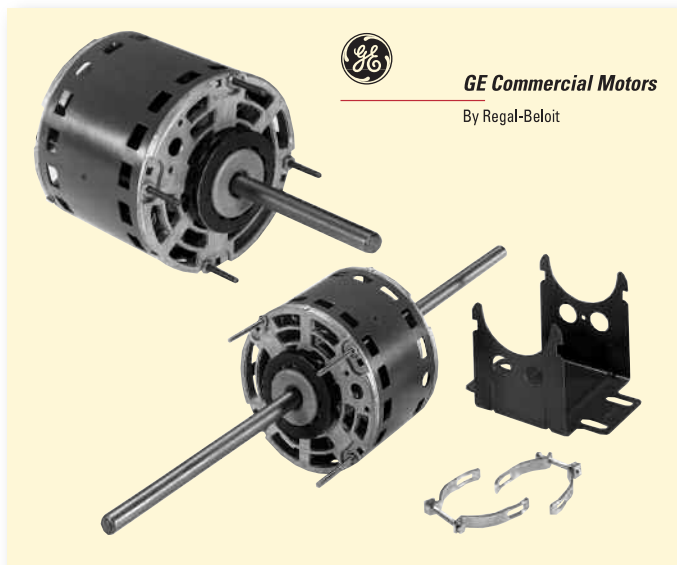
- Impedance or thermally protected
- All Angle, sleeve bearing
- Class B insulation
- 50/60 Hz
- Standard operating temperature: -40°F to 104°F (-40°C to 40°C)
- 3 tapped holes @ 120° & 2 @ 180°
- Single side pad mounting • 4 shaft end studs
- UL Recognized, CSA and CE Certified

ELCO

MARS No.	Mfg Stock No.	Watts	Rot. S.E	HP	Volts	Amps	Prot.	Blade Dia. In.	Blade Pitch	Air Flow (CFM) @ 0 In. Static	Air Flow (CFM) @ .1 In. Static			
00801	EC4W115	4	CCW	1/185	115	0.36	Imp	6	28	137	69			
								7	22	141	72			
00805	EC6W115	6	CCW	1/125	115	0.41	Imp	7	31	206	119			
00806	EC6W230				230			0.20	8	28	306	220		
00807	EC9W115	9	CCW	1/83	115	0.58	Therm	8	22	262	186			
00808	EC9W230				230			0.35	9	28	418	301		
					9			28	476	395				
00809	EC16W115	18	CCW	1/47	115	0.89	Therm	9	28	490	410			
00810	EC16W230								230	0.50	10	31	557	466
									10	22	510	425		
00817	EC34W115	34	CCW	1/20	115	1.60	Therm	12	19	796	697			
									00818	EC34W230	230	0.80	28	1024
00891	Mounting Adaptor kit NU condenser motor													

Double Shaft Fan & Blower Motors - PSC

5 inch dia. MARS SERIES **029**



GE Commercial Motors

By Regal-Beloit

5KCP29—Form G PSC Motors

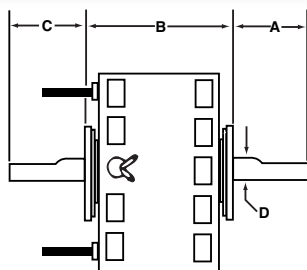
Designed for virtually every fan and blower application.

Features:

- All angle sleeve bearings
- Open construction
- Aluminum end shields
- 26 inch color-coded leads
- 2-1/2 inch resilient ring mounting
- Double shaft models shipped with base mounted (3.5 inch shaft height)
- Extended thru bolts on shaft end—extended 3/4 inch on single shaft and 1-1/2 inch on double shaft motors (on 4.6 inch bolt circle)
- Energy Saver® design
- Motor reversing leads have terminals for quick change to opposite rotation
- For accessories see pages M-73 to M-75

Specifications:

- Single phase, 60 Hertz
- Automatic reset overload protection
- Fan duty, continuous, air over
- Advanced Class B insulation
- 5 Mfd @ 370V capacitor required (MARS No. 12005)



GE by RBC

MARS NO.	GE NO. 5KCP29	HP	VOLTS	AMPS	ROT LE	RPM	DIMENSIONS			
							A	B	C	D

1075 RPM - Single Shaft - Single Speed - 6 Pole

02822	KG5852S	1/5	115	3.53	REV	1075	4.00	5.56	—	1/2
-------	---------	-----	-----	------	-----	------	------	------	---	-----

1075 RPM - Single Shaft - Three Speed - 6 Pole

02840 ⁽¹⁾	BG5866S	1/30	115	.61	REV	1075	8.00	6.00/4.50	—	1/2
02824	EG5854S	1/8	115	2.45	REV	1075	4.00	5.06	—	1/2
02825	KG5855S	1/5	115	3.51	REV	1075	4.00	5.56	—	1/2
02826	KG5856S	1/5	208-230	1.67	REV	1075	4.00	5.56	—	1/2
02827	LG5857S	1/4	115	4.78	REV	1075	4.00	5.81	—	1/2
02828	LG5858S	1/4	208-230	2.22	REV	1075	4.00	5.81	—	1/2
02829 ⁽²⁾	MG5859AS	1/3	115	5.8	REV	1075	4.00	5.81	—	1/2

1075 RPM - Double Shaft - Four Speed - 6 Pole

02830	BG5860S	1/15	115	1.40	CCW	1075	8.00	4.67	8.00	1/2
02831	DG5861S	1/10	115	1.90	CCW	1075	8.00	4.92	8.00	1/2
02832	EG5862S	1/8	115	2.69	CCW	1075	8.00	5.17	8.00	1/2
02833	LG5863S	1/4	115	4.70	CCW	1075	8.00	6.45	8.00	1/2
02834	LG5864S	1/4	208-230	2.10	CCW	1075	8.00	6.17	8.00	1/2
02836	EG5868S	1/8	208-230	1.20	CCW	1075	8.00	5.17	8.00	1/2

1625 RPM - Double Shaft - Four Speed - 4 Pole

02835	EG5867S	1/10	115	1.30	CCW	1625	8.00	5.17	8.00	1/2
02837	FG5869S	1/6	115	2.10	CCW	1625	8.00	5.42	8.00	1/2

(1) Model has resilient ring length adapter kit included in carton (2) 15mfd @370V capacitor required

Condenser Fan Motors - PSC

5 inch dia. MARS SERIES **029**



GE Commercial Motors

By Regal-Beloit



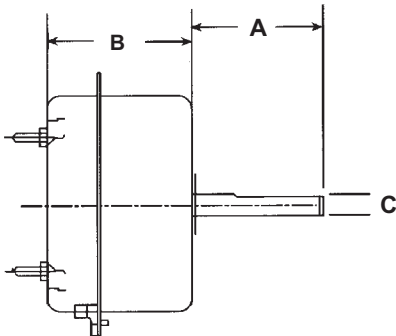
“Cap-Can” Construction Vertical Shaft Down Condenser Fan And Heat Pump Motors

These new permanent split capacitor motors from GE are designed for use in residential outdoor condenser fan and heat pump units (primarily up to 3.5 tons), requiring vertical shaft down with stud or flange mounting.

Features:

- “Cap-Can” construction
- Automatic thermal overload protection
- #8-32 extended stud or flange mount
- Water slinger on shaft
- Vertical shaft down mounting orientation
- CW or CCW rotation in several ratings
- Designed for 370 volt capacitor (not furnished)
- Ball bearings
- Class B insulation
- for accessories, see pages M-73 to M-75

Dimensions:



Specifications:

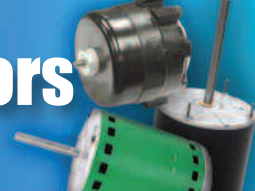
- All models are single-speed
- 60 Hz
- 208-230 volts
- 1/2" shaft diameter
- 26" Leads
- Continuous duty, air-over

MARS NO.	GE NO.	HP	RPM	AMPS	ROT OSE	370V CAP REQUIRED	DIMENSIONS		
							A	B	C
02243	5KCP29DCA323S	1/10	1100	0.74	CW	5 MFD	2.75	3.35	1/2"
02244	5KCP29JCA324S	1/4	1075	1.7	CW	7.5 MFD	2.75	3.85	1/2"
02245	5KCP29JCA325S	1/4	1075	1.7	CCW	7.5 MFD	2.75	3.85	1/2"
02246	5KCP29HCA326S	1/5	1060	1.6	CW	5 MFD	2.75	3.85	1/2"
02247	5KCP29JCA327S	1/6	1100	1.3	CCW	5 MFD	2.75	3.85	1/2"
02248	5KCP29ECA328S	1/8	1075	0.86	CW	5 MFD	2.75	3.85	1/2"
02249	5KCP29DCA329S	1/8	1075	0.75	CCW	5 MFD	2.75	3.35	1/2"

GE by RBC

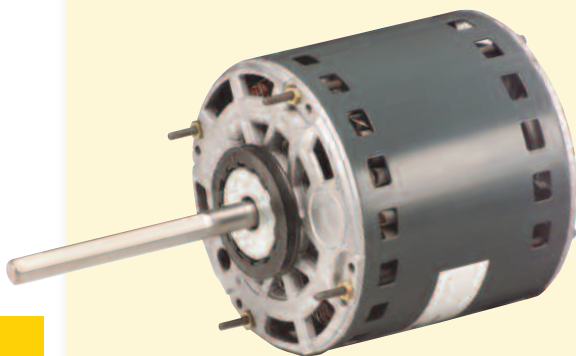
Multi-HP SOS Direct Drive Blower Motors

5½ inch dia. MARS SERIES 034



GE Commercial Motors

By Regal-Beloit



GE by RBC

SOS™ Multi-Horsepower Direct Drive Blower Motors

MARS SOS™ multi-horsepower direct drive blower motors are ideal for truck stock. Four models cover both 115 volt and 208-230 volt applications from 1/6 through 3/4 HP.

All SOS™ motors feature easy mounting in Rheem applications.

Features:

- Multi-HP
- Open end shields
- Extended mounting studs
- 2-1/2 inch resilient rings
- Reversible rotation
- All angle sleeve or ball bearings
- Capacitor requirement noted on motor label
- For accessories, see pages M-73 to M-75

Specifications:

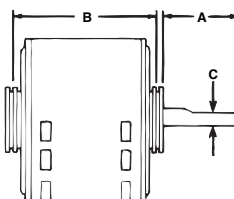
- Single phase, 60 Hz
- Overload protection
- Fan duty, continuous air over
- Open construction



** Heat Shield

Cross Reference:

A.O. Smith	Emerson	MARS NO.
FDL6001	5460	03458
FD6000	5461	03459
FDL6002	5470	03465
FD6001	5471	03468



1075 RPM Multi-Horsepower Reversible Rotation - 6 Pole

MARS NO.	GE NO. 5KCP39	HP	VOLTS	AMPS	DIMENSIONS		
					A	B	C
03463	KGV804AS	1/2, 1/3, 1/4, 1/5, 1/6	115	6.2	5.00	4.73	1/2
03464	KGV805AS	1/2, 1/3, 1/4, 1/5, 1/6	208-230	2.7	5.00	4.73	1/2
03466*	SGU363AS	3/4, 1/2, 1/3, 1/4, 1/5	115	8.4	5.00	5.98	1/2
03467*	SGU364AS	3/4, 1/2, 1/3, 1/4, 1/5	208-230	4.2	5.00	5.23	1/2

825 RPM Multi-Horsepower Reversible Rotation - 8 Pole

MARS NO.	GE NO. 5KCP39	HP	VOLTS	AMPS	DIMENSIONS		
					A	B	C
03457**	NFAD13S	1/3, 1/4, 1/5, 1/6, 1/8	208-230	1.8	6.50	5.48	1/2

* Ball Bearing

Multi-HP SOS Condenser Fan Motors

5 1/2 inch dia. MARS SERIES 034

SOS™ Multi-Horsepower Outdoor Condenser Fan Motors



GE Commercial Motors

By Regal-Beloit



MARS SOS™ multi-horsepower condenser fan motors are ideal for truck stock. Three 1075 RPM models cover 208-230 volt applications from 1/6 to 1/2 HP.

New Slim Stack™ #03458, **WIZARD**, and the new **WIZARD 825** fit in many 1/3 HP installations that will not accept other manufacturer's motors.

The 03458 is a single speed "wide-range" motor that will run at any fan load from 1/6 to 1/3 HP at a nominal 1075 RPM. MARS #03459, the new WIZARD 825, will run at any fan load from 1/8 to 1/3 HP at a nominal 825 RPM.

All SOS™ motors feature easy mounting in Rheem applications.

Features:

- Multi-HP
- Ball Bearings
- Thru bolt or band mounting
- Rheem mounting capability
- Water slinger on shaft
- Air conditioning or heat pump duty
- Capacitor requirement noted on motor label
- End Shield drain holes w/plugs



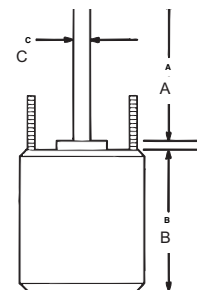
* Heat Shield

Cross Reference:

A.O. Smith	Emerson	MARS NO.
ORM5458	5458	03458
ORM5488B	5464	03459
FSE6000, FE6000	5462	03465
FE6002	5465	03468
FE6001	5464	03469

Specifications:

- Single phase, 60 Hz
- Overload protection
- Fan duty, continuous air over
- Totally enclosed, Non-ventillated
- Class B insulation



Multi-Horsepower, Reversible Rotation

MARS NO.	GE NO. 5KCP39	HP	VOLTS	AMPS	A	DIMENSIONS B	C
----------	---------------	----	-------	------	---	--------------	---

1075 RPM - 6 Pole

Wizard	03458	JGU530S	1/3, 1/4, 1/5, 1/6	208-230	2.80	6.75	4.48	1/2
Wizard	03458HS*	LGU7215	1/3, 1/4, 1/5, 1/6	208-230	2.60	6.50	5.23	1/2
Wizard	03460*	RGU709S	1/2, 1/3, 1/4, 1/5, 1/6	208-230	3.00	6.75	4.48	1/2
	03465*	LGU735S	1/3, 1/4, 1/5, 1/6	208-230	2.50	5.00	4.73	1/2
	03468*	RGU733S	1/2, 1/3, 1/4, 1/5	208-230	3.10	5.00	5.48	1/2

825 RPM - 8 Pole

Wizard 825	03459*	NFBA87S	1/3, 1/4, 1/5, 1/6, 1/8	208-230	1.80	6.50	5.48	1/2
Wizard 825	03461*	TFBA86S	1/2, 1/3, 1/4, 1/5, 1/6	208-230	2.80	6.50	6.48	1/2
	03469*	SGU732S	1/3, 1/4, 1/5, 1/6	208-230	2.00	6.50	5.98	1/2

* Heat Shield

GE by RBC



The largest selection of motors, components and accessories for the HVAC/R Industry

M-39

Condenser Fan Motors - PSC

5½ inch dia. MARS SERIES **098**



GE Commercial Motors

By Regal-Beloit

All Angle And Shaft Up Outdoor Condenser Fan Motors

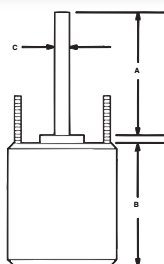
GE outdoor condenser fan motors are available for vertical shaft-up or vertical shaft-down applications. Vertical shaft-up models are also suitable for horizontal mounting. Add MARS No. 08105 resilient rings to base mount. All are electrically reversible and have full six inch shaft lengths. Models are available with sleeve or ball bearings, single or two speed in high efficiency or standard efficiency ratings.

Features:

- Reversible rotation
- Thru bolt or band mounting
- Water slinger on shaft
- Serrated end caps on vertical shaft-up models
- Full six inch shaft length
- For accessories, see pages M-73 to M-75
- 6" shaft extension with 2 flats 90° apart

Specifications:

- Class "B" insulation
- Single phase, 60/50 Hertz
- Automatic thermal overload protected
- Fan duty, continuous, air over
- 26 inch leads



1075 RPM - Reversible Rotation - Energy Saver® - 6 Pole

MARS NO.	GE NO. 5KCP39	HP	VOLTS	AMPS	RPM ⁽²⁾	CAP REQ.	DIMENSIONS		
							A	B	C

Two Speed - Sleeve Bearings - Vertical Shaft Up/Down - 6 Pole

03227 ⁽³⁾	EKG401T	1/6	208-230	1.0	1075	5/370	6.0	4.00	1/2
03228 ⁽³⁾	HGG402T	1/4	208-230	1.6	1075	5/370	6.0	4.50	1/2
03229 ⁽³⁾	MGG403T	1/3	208-230	2.4	1075	7.5/370	6.0	5.00	1/2
03230 ⁽³⁾	PGG404T	1/2	208-230	3.8	1075	10/370	6.0	5.50	1/2

Shaft-Up - Two Speed - Sleeve Bearings - 6 Pole

03027 ⁽¹⁾	DGA768T	1/6	208-230	0.9	1075	5/370	6.0	3.75	1/2
03028 ⁽¹⁾	GGA769T	1/4	208-230	1.5	1075	5/370	6.0	4.25	1/2
03029 ⁽¹⁾	LGA770T	1/3	208-230	2.1	1075	7.5/370	6.0	5.00	1/2
03030 ⁽¹⁾	NGS429S	1/2	208-230	3.2	1075	10/370	6.0	5.50	1/2

Shaft-Up - Two Speed - Ball Bearings - 6 Pole

03031 ⁽¹⁾	LGC003T	1/3	208-230	2.1	1075	7.5/370	6.0	4.98	1/2
03032 ⁽¹⁾	NGL785S	1/2	208-230	3.2	1075	10/370	6.0	5.48	1/2
03048 ⁽¹⁾	NGL762S	3/4	208-230	3.9	1075	15/370	6.0	5.48	1/2

(1) Lead-end endshield open construction

(2) Low speed approximately 300 RPM less than high speed depending on fan load

(3) 60 Hz operation only

Condenser Fan Motors - PSC

5½ inch dia. MARS SERIES 098



GE Commercial Motors

By Regal-Beloit

Vertical Outdoor Condenser Fan Motors Shaft-Up/Down

GE up/down outdoor condenser fan motors are designed for either vertical shaft-up or shaft-down applications. Shell and end shields are enclosed for weather protection. A weep hole is provided in each end shield to allow condensate to drain. A plastic plug is provided to seal the weep hole in the end shield exposed to the weather. All of these motors are suitable for air conditioning or heat pump applications. All feature reversible rotation, 208-230 volts, six inch shaft length and extended thru bolts extending from both ends.

Features:

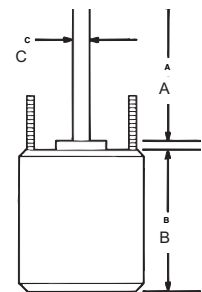
- Thru bolt or band mounting
- All angle mounting
- Ball bearings
- Water slinger on shaft
- Serrated end cap on shaft end only
- For air conditioning or heat pumps
- Full six inch shaft length with two full flats at 90°
- Reversible rotation
- For accessories, see pages M-73 to M-75
- Rheem mtg. holes (mtg. hardware included)



* Heat Shield

Specifications:

- 60 Hertz
- Single phase
- Overload protected
- Fan duty, continuous, air over
- 48 inch leads
- Totally enclosed, non-ventilated
- Class B insulation



GE by RBC

Reversible Rotation

MARS NO.	GE NO. 5KCP39	HP	VOLTS	AMPS	RPM ⁽¹⁾	CAP REQ.	DIMENSIONS		
							A	B	C

825 RPM - Single Speed - Standard Efficiency - Ball Bearings - 8 Pole

03201 ⁽³⁾	EGL248S	1/10	208-230	0.80	825	5/370	6.0	4.30	1/2
03202*	DFBA81S	1/8	208-230	0.85	825	5/370	6.0	4.30	1/2
03203*	HFBA79S	1/6	208-230	0.90	825	5/370	6.0	4.30	1/2
03204*	JFBA83	1/4	208-230	1.30	825	7.5/370	6.0	5.03	1/2
03205*	NFBA82S	1/3	208-230	1.80	825	10/370	6.0	5.80	1/2

1075 RPM - Single Speed - Standard Efficiency - Ball Bearings - 6 Pole

03726*	HGU722S	1/6	208-230	1.00	1075	5/370	6.5	3.98	1/2
03732 ⁽²⁾ *	GGU714S	1/4	208-230	1.70	1075	5/370	6.0	4.23	1/2
03733 ⁽²⁾ *	LGU715S	1/3	208-230	2.60	1075	7.5/370	6.0	4.48	1/2
03734 ⁽²⁾ *	RGU718S	1/2	208-230	3.00	1075	10/370	6.0	5.23	1/2
03735 ⁽²⁾ *	SGU717S	3/4	208-230	4.10	1075	10/370	6.0	5.98	1/2

(1) Low speed approximately 300 RPM less than high speed depending on fan load (2) Both end shields flat, no serrated end cap (3) 26" leads

Condenser Fan Motors - PSC

5½ inch dia. MARS SERIES 098



GE Commercial Motors

By Regal-Beloit



Commercial Outdoor Condenser Fan Motors

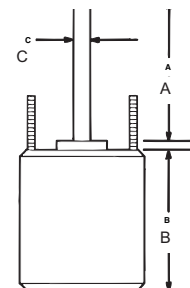
GE commercial outdoor condenser fan motors are designed for all angle air conditioning or heat pump applications. A weep hole is provided in each end shield to allow condensate to drain.

Features:

- All angle, ball bearing
- 70°C ambient
- Extended thru bolt or band mounting
- Totally enclosed air over
- 6" shaft w/5 1/2" flat

Specifications:

- 1 & 2 speed, single phase
- 48" leads
- 60/50 hertz
- Reversible rotation
- Class "B" insulation
- Thermal overload protection
- UL & CSA



Cross Reference

MARS No.	AOS	Emerson	Marathon
3C001	FS1024S, 456	1890	X467, X463
3C002	665A	1891	X466
3C003	FSE1054, 666A	1892	X468, X464

1625 RPM - Two Speed - Reversible Rotation - Ball Bearing

MARS NO.	GE NO. 5KCP39	HP	VOLTS	MAX AMPS	CAP REQ	DIMENSIONS			HERTZ	MOUNTING
						A	B	C		
3C001	FGU959S	1/4	208-230	1.3	5/370	6.0	4.52	1/2	60/50	Rheem Mounting Holes in Shell
3C002	JGU960S	1/3	208-230	1.8	5/370	6.0	5.69	1/2	60/50	
3C003	PGU961S	1/2	208-230	2.5	7.5/370	6.0	6.44	1/2	60/50	

GE by RBC

Direct Drive Motor Blowers - PSC

5 1/2 inch dia. MARS SERIES 039



GE Commercial Motors
By Regal-Beloit



Commercial Direct Drive PSC Blower Motors

GE direct drive blower motors are designed for replacement applications in commercial building systems for Air conditioning (VAV) and Heating applications. All are high efficiency, energy saver motors.

Features:

- All angle mounting, ball bearings
- 65% minimum efficiency, except 3D001 - 60% min. efficiency
- 6 1/2" Shaft w/5 1/2" flats
- Double shaft flats on 3/4 HP motors
- Ring kit allows 2 1/4 & 2 1/2 resilient ring mounting
- Reversible rotation with reversing plug
- Extended thru bolts on each end

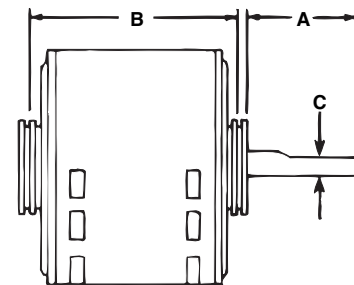


Specifications:

- Single phase, 60/50HZ
- 50°C ambient (4 speed), 60°C ambient (3 speed)
- Open construction
- Fan duty, continuous, air over
- Thermal overload protection
- Class "B" insulation
- UL & CSA

Cross Reference

MARS No.	AOS	Emerson	Marathon
3D001	7FD1016		
3D002	7FD1026	600	X018
3D003	7FD1036	601	X019
3D004	7FD1056	602	X020
3D005	9605A	5847	X021
3D006	BDH1036	8945	X037
3D007			X038
3D008	BDH1076	8947	X039



Reversible Rotation - High Efficiency - Ball Bearing

MARS NO.	GE NO. 5KCP39	HP	VOLTS	MAX AMPS	CAP REQ	DIM. A	DIM. B	DIM. C	MOUNTING
----------	---------------	----	-------	----------	---------	--------	--------	--------	----------

1075 RPM - Four Speed - 4 pole

3D001	EGU953S	1/6	277/230	0.78	5/370	6.5	4.19	1/2	Rheem Mounting Holes In Shell
3D002	JGBC28S	1/4	277/230	1.1	5/370	6.5	4.69	1/2	
3D003	MGU949S	1/3	277/230	0.87	7.5/370	6.5	5.19	1/2	
3D004	PGBC29S	1/2	277/230	3.1	7.5/370	6.5	5.69	1/2	
3D005	SGBC30S	3/4	277/230	3.6	10/370	6.5	6.19	1/2	

1075 RPM - Three Speed - 4 pole

3D006	MGU956S	1/3	460	1.1	7.5/370	6.5	5.19	1/2	Rheem Mounting Holes In Shell
3D007	PGU957S	1/2	460	1.6	10.0/370	6.5	5.69	1/2	
3D008 ⁽¹⁾	SGU958S	3/4	460	2.1	15.0/370	6.5	6.19	1/2	

(1) 60 Hertz Only

GE by RBC

Condenser Fan, Single Phase, PSC

5½ inch dia. MARS SERIES **098**



GE Commercial Motors

By Regal-Beloit



GE by RBC

Vertical Outdoor Condenser Fan Motors Shaft-Up/Down

GE up/down outdoor condenser fan motors are designed for either vertical shaft-up or shaft-down applications. Shell and end shields are enclosed for weather protection. A weep hole is provided in each end shield to allow condensate to drain. A plastic plug is provided to seal the weep hole in the end shield exposed to the weather. All of these motors are suitable for air conditioning or heat pump applications. All feature reversible rotation, 208-230 volts, six inch shaft length and extended thru bolts extending from both ends.

Specifications:

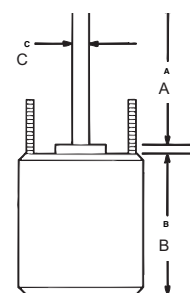
- 60 Hertz
- Single phase
- Overload protected
- Fan duty, continuous, air over
- 26 inch leads
- Totally enclosed, non-ventilated
- Class B insulation



* Heat Shield

Features:

- Up/down design
- Thru bolt or band mounting
- All angle sleeve or ball bearings
- Water slinger on shaft
- Serrated end cap on shaft end only
- For air conditioning or heat pumps
- Full six inch shaft length with two full flats at 90°
- Reversible rotation
- For accessories, see pages M-73 to M-75



Reversible Rotation

MARS NO.	GE NO. 5KCP39	HP	VOLTS	AMPS	RPM	CAP REQ.	DIMENSIONS		
							A	B	C

825 RPM - Single Speed - All Angle Sleeve Bearings - 8 Pole

03725*	DFAD06S	1/8	208-230	0.85	825	5/370	6.5	4.23	1/2
03403*	HFAD05S	1/6	208-230	0.90	825	5/370	6.0	4.23	1/2
03404*	JFAD07S	1/4	208-230	1.30	825	7.5/370	6.0	5.23	1/2
03405*	NFAD09S	1/3	208-230	1.80	825	10/370	6.0	5.73	1/2
03746*	TFAD10S	1/2	208-230	2.80	825	20/370	6.5	6.48	1/2

1075 RPM - Single Speed - Standard Efficiency - All Angle Sleeve Bearings - 6 Pole

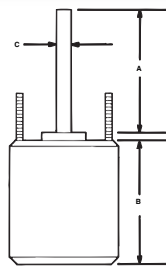
03727	DGS375S	1/6	208-230	1.00	1075	5/370	6.0	4.71	1/2
03727HS*	DGY797S	1/6	208-230	1.00	1075	5/370	6.0	4.71	1/2
03728	FGM599S	1/4	208-230	1.80	1075	5/370	6.0	4.25	1/2
03728HS*	GGY769S	1/4	208-230	1.70	1075	5/370	6.0	4.25	1/2
03729	LGS407S	1/3	208-230	2.30	1075	7.5/370	6.0	5.70	1/2
03729HS*	LGY801S	1/3	208-230	2.60	1075	7.5/370	6.0	5.70	1/2
03759	LGT378S	1/3	575	1.10	1075	7.5/370	6.0	5.75	1/2
03730	PGS618S	1/2	208-230	3.50	1075	10/370	6.0	6.50	1/2
03730HS*	RGY799S	1/2	208-230	3.00	1075	10/370	6.0	6.50	1/2
03760	PGT377S	1/2	575	1.50	1075	7.5/370	6.0	5.75	1/2
03731	SGT039S	3/4	208-230	4.70	1075	10/370	6.0	5.75	1/2
03731HS*	SGY805S	3/4	208-230	4.10	1075	10/370	6.0	5.75	1/2

Condenser Fan, Single Phase, PSC

5½ inch dia. MARS SERIES 098



* Heat Shield



Shaft-Up Outdoor Condenser Fan Motors

GE outdoor condenser fan motors for vertical shaft-up applications are also suitable for horizontal mounting. GE vertical shaft-up outdoor condenser fan motors are designed for 60°C ambient temperature. Add MARS No. 08105 resilient rings to base mount.

GE commercial 460 volt outdoor condenser fan motors are designed for 70° C ambient so lower operating temperatures = improved life and reliability.

Features:

- Reversible rotation
- Thru bolt or band mounting
- Water slinger on shaft
- Serrated end caps on vertical shaft-up models
- Full six inch shaft length
- For accessories, see pages M-73 to M-75

Specifications:

- Class B insulation
- Single phase, 60/50 Hertz
- Automatic thermal overload protected
- Fan duty, continuous, air over
- 26 inch leads shaft-up, 46 inch leads all angle
- Lead end endshield open construction

GE by RBC

Reversible Rotation

MARS NO.	GE NO. 5KCP39	HP	VOLTS	AMPS	RPM	CAP REQ.	DIMENSIONS		
							A	B	C

1075 RPM - Shaft-Up - Single Speed - Sleeve Bearings - Standard Efficiency - 6 Pole

03327 ⁽¹⁾	DGP081S	1/6	208-230	0.9	1075	5/370	6.0	4.56	1/2
03328 ⁽¹⁾⁽³⁾	EGP697S	1/4	208-230	1.8	1075	5/370	6.0	5.06	1/2
03329 ⁽¹⁾⁽³⁾	HGP698S	1/3	208-230	2.4	1075	7.5/370	6.0	5.31	1/2
03330 ⁽¹⁾⁽³⁾	MGK209S	1/2	208-230	3.6	1075	10/370	6.0	6.60	1/2
03331 ⁽¹⁾⁽³⁾	PFM210S	3/4	208-230	5.1	1075	10/370	6.0	6.06	1/2

825 RPM - Shaft-Up - Single Speed - Ball Bearings - Energy Saver® - 8 Pole

03040	MGL789S	1/4	208-230	1.5	825	7.5/370	6.0	4.48	1/2
03026	NFBA66S	1/3	208-230	2.2	825	10/370	6.0	5.98	1/2

1075 RPM - Shaft-Up - Single Speed - Sleeve Bearings - Energy Saver® - 6 Pole

03084 ⁽³⁾	HGE930S	1/4	208-230	1.5	1075	5/370	6.0 ⁽²⁾	4.89	1/2
----------------------	---------	-----	---------	-----	------	-------	--------------------	------	-----

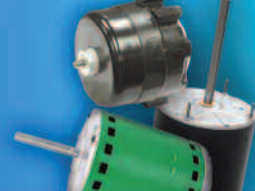
1075 RPM - 460V - Single Speed - All Angle Ball Bearing - 6 Pole

03736 ^{(1)(4)*}	HGU722S	1/4	460	.7	1075	7.5/370	6.0	4.30	1/2
03737 ^{(1)(4)*}	NGU724S	1/3	460	1.2	1075	7.5/370	6.0	5.30	1/2
03738 ^{(1)(4)*}	RGU723S	1/2	460	1.7	1075	10/370	6.0	5.80	1/2
03739 ^{(1)(4)*}	SGU725S	3/4	460	2.0	1075	15/370	6.0	6.50	1/2

(1) 60 Hertz only (2) Two full flats at 90° (3) Class A Insulation (4) Rheem shell mtg. holes

Condenser Fan, Single Phase, PSC

5½ inch dia. MARS SERIES 098



GE Commercial Motors
By Regal-Beloit

460 Volt Outdoor Condenser Fan Motors

GE outdoor condenser fan motors are available for vertical shaft-up or vertical shaft-down applications. Vertical shaft-up models are also suitable for horizontal mounting. Add MARS No. 08105 resilient rings to base mount.

Features:

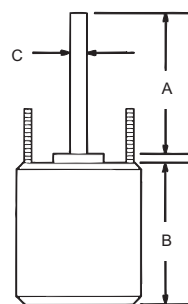
- Reversible rotation
- Ball bearings
- Thru bolt or band mounting
- Water slinger on shaft
- Serrated end caps on vertical shaft-up models only
- Full 6 inch double flat shaft
- For accessories, see pages M-73 to M-75

Specifications:

- Class "B" insulation
- Single phase, 60/50 HZ
- Automatic thermal overload protected
- Fan duty, continuous air over
- 26 inch leads

Cross Reference:

A.O. Smith	Emerson	GE Stock NO.	MARS NO.
786	—	3035	03039
787	—	3036	03036
—	1881	3209	03209
—	1882	3740	03743



825 RPM - Reversible Rotation - Standard Efficiency

MARS NO.	GE NO. 5KCP39	HP	VOLTS	AMPS	RPM	CAP REQ.	DIMENSIONS		
							A	B	C

Shaft-Up Or Horizontal Mount

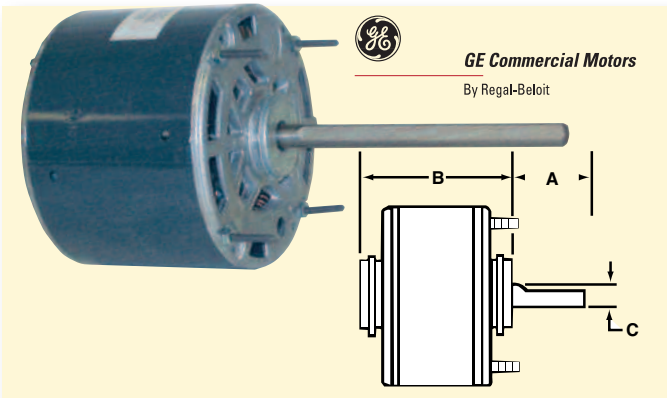
03039	NFBA73S	1/3	460	1.10	825	10/370	6.0	6.38	1/2
03036	SFU595S	1/2	460	1.60	825	10/370	6.0	6.63	1/2

All Angle

03209	NFBA76S	1/3	460	1.10	825	7.5/370	6.0	5.71	1/2
03743	TFBA85S	1/2	460	1.80	825	10/370	6.0	6.71	1/2

Direct Drive Blower Motors - PSC

5½ inch dia. MARS SERIES 031



5KCP39 PSC 460 Volt Motors

Features:

- Energy Saver®
- For use in air moving applications
- 460 volt, 2-speed
- All angle ball bearings
- Extended thru bolts
- Capacitor included
- 08105 for cradle mount, serrated end caps
- For accessories, see pages M-73 to M-75

Specifications:

- Single phase, 60/50 Hz
- Overload protection
- Fan duty, continuous, air over shields
- 26 inch leads
- Class A insulation

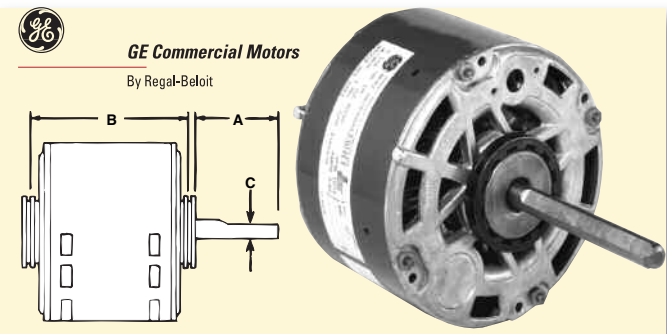
1075 RPM – Reversible Rotation - 6 Pole

MARS NO.	GE NO. 5KCP39	HP	VOLTS	AMPS	CAP. (FURNISHED)	DIMENSIONS			BASE NO.
						A	B	C	
03280	KGC519ET	1/3	460	1.1	7.5/370	6.0	5.56	1/2	08058
03290	PGC520ET	3/4	460	2.1	15/370	6.0	6.31	1/2	08060

1625 RPM – Reversible Rotation - 4 Pole

MARS NO.	GE NO. 5KCP39	HP	VOLTS	AMPS	CAP. (FURNISHED)	DIMENSIONS			BASE NO.
						A	B	C	
03470	GGC521ET	1/4	460	0.8	5/370	6.0	5.31	1/2	08057
03490	NGC522ES	1/2	460	1.7	7.5/370	6.0	6.31	1/2	08060

GE by RBC



5KCP39 Permanent Split Capacitor Motors

Features:

- Energy Saver®
- For use in air moving applications
- Single speed
- All angle sleeve bearings
- 2¼ inch resilient rings
- 4.0 inch long, ½ inch diameter shaft
- For accessories see pages M-73 to M-75

Specifications:

- Single phase, 60/50 Hertz
- Overload protection
- Open construction
- Fan duty, continuous, air over
- 26 inch leads
- Class A insulation

1075 RPM - 6 Pole

MARS NO.	GE NO. 5KCP39	HP	VOLTS	AMPS	ROT OSE	CAP. REQ.	DIMENSIONS		BASE NO.
							A	B	
03251	DG3304T	1/6	115	2.3	CCW ⁽¹⁾	5/370	4.0	4.23/4.39	08053
03252	CG3306T	1/6	208-230	0.9	CCW ⁽¹⁾	5/370	4.0	4.23/4.39	08053
03271	FG3312T	1/4	115	3.5	CCW	5/370	4.0	4.48/4.64	08054
03272 ⁽²⁾	EG3314T	1/4	208-230	1.5	CCW	5/370	4.0	4.48/4.64	08054
03274 ⁽²⁾	EG3315T	1/4	208-230	1.5	CW	5/370	4.0	4.48/4.64	08054
03281 ⁽²⁾	KG3316T	1/3	115	5.0	CCW	5/370	4.0	4.98/5.14	08056
03282 ⁽²⁾	JG3318T	1/3	208-230	2.4	CCW	5/370	4.0	4.98/5.14	08056
03292	NGD123T	1/2	208-230	3.4	CCW	7.5/370	4.0	5.73/5.89	—

(1) Mechanically reversible (2) Class B insulation

1625 RPM - 4 Pole

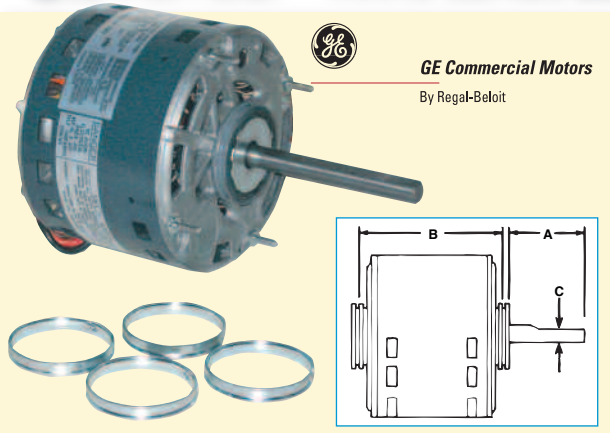
MARS NO.	GE NO. 5KCP39	HP	VOLTS	AMPS	ROT OSE	CAP. REQ.	DIMENSIONS		BASE NO.
							A	B	
03452	CG3326ES	1/6	208-230	.9	CCW	5/370	4.0	4.23/4.39	08053
03471	EG3332ES	1/4	115	3.2	CCW	5/370	4.0	4.73/4.89	08055
03472	DG3334ES	1/4	208-230	1.4	CCW	5/370	4.0	4.73/4.89	08055
03481	GG3336ES	1/3	115	4.7	CCW	5/370	4.0	4.98/5.14	08056
03482	GG3338ES	1/3	208-230	2.2	CCW	5/370	4.0	4.98/5.14	08056



The largest selection of motors, components and accessories for the HVAC/R Industry

Direct Drive Blower Motors - PSC

5½ inch dia. MARS SERIES **039**



PSC Furnace Blower Motors

These GE 5KCP39 PSC motors are designed for use as direct drive furnace blower motors. All are three speed, high efficiency, Energy Saver® models and are electrically reversible. Motors have 2¼ inch resilient rings for base mounting. Four (4) split rings included if 2½ inch diameter is required. Bases are sold separately.

Features:

- All angle sleeve bearings
- 3 speeds
- ½ inch extended thru bolts
- 2¼ inch resilient rings plus 4 split rings
- Reversible rotation
- 4 inch long, ½ inch diameter shaft
- For accessories see pages M-73 to M-75

Specifications:

- Single phase, 60/50 Hertz
- Overload protection
- Fan duty, continuous, air over
- Open construction
- 26 inch leads
- Class B insulation

Reversible Rotation — Energy Saver®

MARS NO.	GE NO. 5KCP39	HP	VOLTS	AMPS	CAP. REQUIRED	A	DIMENSIONS B	C	BASE NO.
----------	---------------	----	-------	------	---------------	---	--------------	---	----------

1075 RPM⁽¹⁾ — Three Speed - 6 Pole

03983 ⁽²⁾	GG9708T	1/4	115	3.7	7.5/370	4.0	5.39/5.23	1/2	08057
03984	FG9478T	1/4	208-230	1.7	5/370	4.0	5.39/5.23	1/2	08057
03985 ⁽²⁾	LG9683T	1/3	115	4.9	7.5/370	4.0	5.39/5.23	1/2	08057
03986	JG9479T	1/3	208-230	2.5	5/370	4.0	5.39/5.23	1/2	08057
03987	PG9710T	1/2	115	7.3	10/370	4.0	5.89/5.73	1/2	NA
03988	NG9709T	1/2	208-230	3.5	7.5/370	4.0	5.89/5.73	1/2	NA
03989 ⁽²⁾	PGE413T	3/4	115	9.1	15/370	4.0	5.89/5.73	1/2	NA
03990 ⁽²⁾	PGE414T	3/4	208-230	4.4	10/370	4.0	5.89/5.73	1/2	NA

1625 RPM⁽¹⁾ — Three Speed - 4 Pole

03992	FGE211T	1/4	115	2.7	10/370	4.0	4.89	1/2	08055
03993	FGE212T	1/4	208-230	1.2	5/370	4.0	4.89	1/2	08055
03994	HGE213T	1/3	115	3.9	15/370	4.0	5.39	1/2	08057
03995	HGE214T	1/3	208-230	1.9	5/370	4.0	5.39	1/2	08057
03996	MGE215T	1/2	115	6.0	15/370	4.0	5.64	1/2	08058
03997	LGE216T	1/2	208-230	2.8	7.5/370	4.0	5.64	1/2	08058
03998	PGE415T	3/4	115	8.5	15/370	4.0	6.14	1/2	08060
03999	PGE416T	3/4	208-230	4.0	7.5/370	4.0	6.14	1/2	08060

1075 RPM — Reversible Rotation - Standard Efficiency - 6 Pole

MARS NO.	GE NO. 5KCP39	HP	VOLTS	AMPS	CAP. REQUIRED	A	DIMENSIONS B	C	BASE NO.
----------	---------------	----	-------	------	---------------	---	--------------	---	----------

Three Speed⁽¹⁾

03583 ⁽²⁾	FGN651T	1/4	115	4.2	5/370	4.0	4.89	1/2	08055
03584 ⁽²⁾	FGN652T	1/4	208-230	2.0	5/370	4.0	4.89	1/2	08055
03585 ⁽²⁾	JGN653T	1/3	115	6.2	5/370	4.0	5.14	1/2	08056
03586 ⁽²⁾	JGN654T	1/3	208-230	2.9	5/370	4.0	5.14	1/2	08056
03587 ⁽²⁾	PGN655T	1/2	115	9.0	5/370	4.0	6.14	1/2	08060
03588 ⁽²⁾	NGN656T	1/2	208-230	4.3	5/370	4.0	5.89	1/2	NA
03589 ⁽²⁾	PGN657T	3/4	115	10.3	15/370	4.0	6.14	1/2	08060
03590 ⁽²⁾	PGN658T	3/4	208-230	4.6	10/370	4.0	6.14	1/2	08060
03595 ⁽²⁾	SGL854S	1	115	11.8	20/370	4.0	6.90	1/2	08060
03596 ⁽²⁾	SGL853S	1	208-230	5.59	15/370	4.0	6.90	1/2	08060

Two Speed⁽³⁾

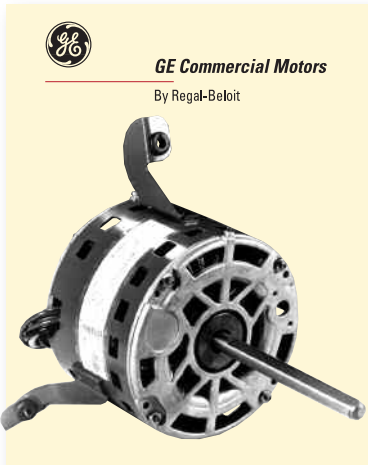
03383 ⁽²⁾	FGM421S	1/4	115	4.2	5/370	4.0	4.89	1/2	08055
03384	FGM433S	1/4	208-230	2.0	5/370	4.0	4.89	1/2	08055
03385 ⁽²⁾	JGM439S	1/3	115	6.2	5/370	4.0	5.14	1/2	08056
03386	JGM440S	1/3	208-230	2.9	5/370	4.0	5.14	1/2	08056
03387	PGM438S	1/2	115	9.0	5/370	4.0	6.14	1/2	08060
03388	NGM437S	1/2	208-230	4.3	5/370	4.0	5.89	1/2	NA
03389	PGN091T	3/4	115	10.3	15/370	4.0	6.14	1/2	08060
03390	PGN092T	3/4	208-230	4.4	10/370	4.0	6.14	1/2	08060

(1) Approximately 150RPM differential between speeds depending on fan load (2) 60 Hz only

(3) Approximately 300RPM differential between speeds depending on fan load

Direct Drive Blower Motors - PSC

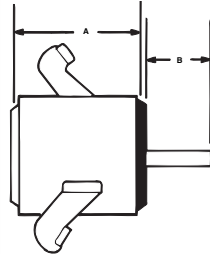
5½ inch dia. MARS SERIES 039



GE Commercial Motors
By Regal-Beloit

5KCP39 PSC Torsion Flex Mount Motors

GE torsion-flex mount motors are designed for direct drive furnace blower applications. The unique torsion-flex mounting speeds installation while the special steel of the torsion-flex bracket absorbs vibration for quieter operation. All models are electrically reversible, 3-speed motors of high efficiency Energy Saver® design.



Features:

- Energy Saver®
- all angle sleeve bearings
- 3-speed 1075/925/775 RPM⁽¹⁾
- torsion-flex mounting, grommets and sleeves included
- 5.0 inch long, ½ inch diameter shaft
- reversible rotation

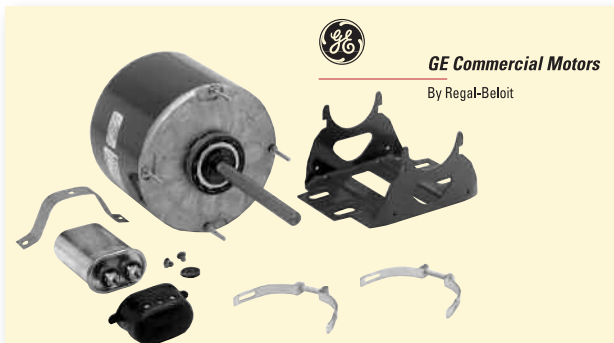
Specifications:

- Class A insulation
- single phase, 60/50 Hertz
- overload protection
- fan duty, continuous, air over
- open construction
- 26 inch leads

1075 RPM⁽¹⁾ — Three Speed – Reversible Rotation - 6 Pole

MARS NO.	GE NO. 5KCP39	HP	VOLTS	AMPS	CAP. REQUIRED	DIMENSIONS A	DIMENSIONS B	BLOWER SIZE
03782	DGP729S	1/6	115V	2.5	5/370	5.0	4.55	9 in.
03783 ⁽²⁾	GGP730S	1/4	115	3.7	7.5/370	5.0	4.23	9 in.
03784	FGP731S	1/4	208-230	1.7	5/370	5.0	4.23	9 in.
03785 ⁽²⁾	LGP732S	1/3	115	4.9	7.5/370	5.0	4.98	9 in.
03786	JGP733S	1/3	208-230	2.5	5/370	5.0	4.73	9 in.
03787	PGP734S	1/2	115	7.3	10/370	5.0	5.48	10 in.
03788	NGP735S	1/2	208-230	3.5	7.5/370	5.0	5.23	10 in.
03789 ⁽²⁾	PGP736S	3/4	115	9.1	15/370	5.0	5.48	10 in.
03790 ⁽²⁾	PGP737S	3/4	208-230	4.4	10/370	5.0	5.48	10 in.

(1) Approximately 150RPM differential between speeds depending on fan load (2) 60 Hz only



GE Commercial Motors
By Regal-Beloit

Ball Bearing Unit Heater Motors

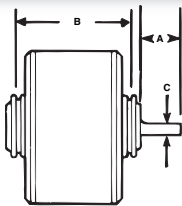
GE 5KCP39 ball bearing motors are designed for unit heater applications. Each motor includes base and capacitor, and also features extended thru bolts. These electrically reversible motors are totally enclosed with a BX connector on the shell and 60 inch leads.

Features:

- Energy Saver®
- Ball bearings
- Mounting base and capacitor included
- Totally enclosed with BX connector and extended thru bolts
- 5.0 inch long, ½ inch diameter shaft

Specifications:

- Single phase, 60/50 Hertz
- Overload protection
- Fan duty, continuous, air over
- Totally enclosed
- 60 inch leads
- Class A insulation



1075 RPM – Reversible Rotation - 6 Pole

MARS NO.	GE NO. 5KCP39	HP	VOLTS	AMPS	CAPACITOR (FURNISHED)	DIMENSIONS A	DIMENSIONS B	DIMENSIONS C
03206	EGC336T	1/6	115	2.2	5/370	5.0	4.89	1/2
03208	JGC337T	1/4	115	3.3	10/370	5.0	5.14	1/2
03210	HGC338T	1/4	208-230	1.4	7.5/370	5.0	5.14	1/2
03212	NGC339T	1/3	115	4.9	10/370	5.0	6.14	1/2
03214	MGC340T	1/3	208-230	2.0	10/370	5.0	6.14	1/2

Double Shaft Fan & Blower Motors - PSC

5½ inch dia. MARS SERIES **035**



5KCP39 Double Shaft Motors • Three Speed

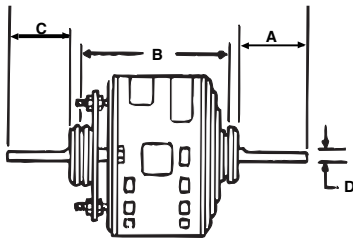
GE 5KCP39 double shaft Energy Saver® motors are designed for a wide variety of air moving applications. All motors feature double ½ inch diameter shafts and include length adapter mounting kit.

Features:

- All angle sleeve bearings
- Extended thru bolts, 2.25 inch resilient rings
- Length adapter and mounting kit included
- For accessories see pages M-73 to M-75

Specifications:

- Class A insulation
- Single phase, 60/50 Hertz
- Overload protected
- Open construction
- Fan duty, continuous, air over
- 14 inch leads



3-Speed⁽¹⁾ — Energy Saver®

MARS NO.	GE NO. 5KCP39	HP	VOLTS	AMPS	ROT LE	CAP. REQ.	A	DIMENSIONS			BASE NO.
								B	C	D	

825 RPM - 8 Pole

03103 ⁽²⁾	PGA749T	1/3	208-230	2.8	CCW	5/370	7.0	5.75	7.27	1/2	—
----------------------	---------	-----	---------	-----	-----	-------	-----	------	------	-----	---

1075 RPM - 6 Pole

03631	CG5822T	1/10	115	1.2	CCW	5/370	7.0	4.19-5.44	9.00	1/2	08052
03632	CG5823T	1/10	208-230	0.8	CCW	3/370	7.0	4.19-5.44	9.00	1/2	08052
03641	CG5824T	1/8	115	1.8	CCW	5/370	7.0	4.19-5.44	9.00	1/2	08052
03642	CG5825T	1/8	208-230	0.8	CCW	5/370	7.0	4.19-5.44	9.00	1/2	08052
03651	DG5826T	1/6	115	2.4	CCW	5/370	7.0	4.44-5.69	8.75	1/2	08053
03652 ⁽³⁾	CG5827T	1/6	208-230	1.0	CCW	5/370	7.0	4.44-5.69	8.75	1/2	08053
03671	GG5828T	1/4	115	3.7	CCW	5/370	8.0	4.69-5.81	7.52	1/2	08054
03672 ⁽³⁾	FG5829T	1/4	208-230	1.7	CCW	5/370	8.0	4.69-5.81	7.52	1/2	08054
03681	LG5830T	1/3	115	5.1	CCW	5/370	7.5	5.38-6.63	7.27	1/2	08057
03682 ⁽³⁾	JG5831T	1/3	208-230	2.5	CCW	5/370	7.5	5.38-6.63	7.27	1/2	08057
03691	PG5081T	1/2	115	7.3	CCW	10/370	7.0	5.75	7.27	1/2	—
03692	NG5082T	1/2	208-230	3.5	CCW	7.5/370	7.0	5.75	7.27	1/2	—
03698	PGA854T	3/4	208-230	5.0	CCW	7.5/370	7.0	5.75	7.27	1/2	—

1625 RPM - 4 pole

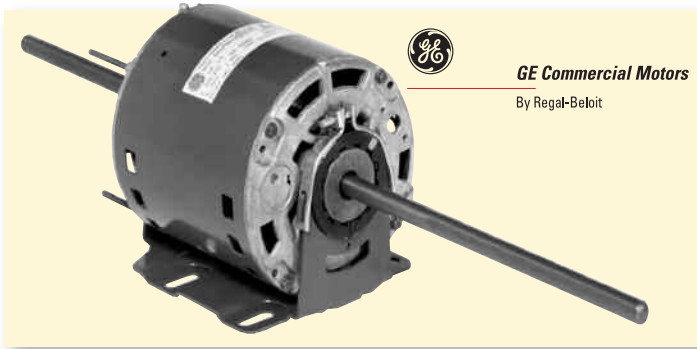
03851	CG9044T	1/6	115	2.0	CCW	5/370	7.0	4.44-5.69	8.77	1/2	08053
03852	CG9045T	1/6	208-230	0.9	CCW	5/370	7.0	4.44-5.69	8.77	1/2	08053
03862	CG9047T	1/5	208-230	1.1	CCW	5/370	8.5	4.69-5.81	7.02	1/2	08054
03871	FG9048T	1/4	115	2.9	CCW	5/370	7.0	4.88-6.13	8.27	1/2	08055
03872	EG9049T	1/4	208-230	1.2	CCW	5/370	7.0	4.94-6.19	8.27	1/2	08055
03881	HG9050T	1/3	115	4.1	CCW	5/370	7.0	5.44-6.69	8.27	1/2	08057
03882	HG9051T	1/3	208-230	1.9	CCW	5/370	6.5	5.44-6.69	8.27	1/2	08057
03891	MG5312T	1/2	115	6.4	CCW	5/370	7.0	5.50	7.52	1/2	08058
03892	MG5313T	1/2	208-230	3.0	CCW	5/370	7.0	5.50	7.52	1/2	08058
03898	PGA853T	3/4	208-230	3.9	CCW	7.5/370	7.0	5.89	7.02	1/2	08058

(1) Approximately 150 RPM differential between speeds depending on fan load (2) 60 Hertz only

(3) Available without mounting kit-see page M-74

Double Shaft Fan & Blower Motors - PSC

5½ inch dia. MARS SERIES 035



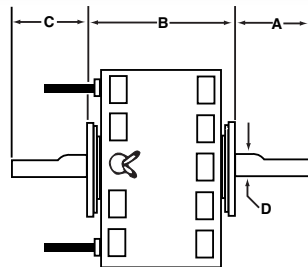
PSC Motors Replace 5KCP32 & 5KCP38

Features:

- Energy Saver®
- Replace GE 5KCP32-38
- All angle sleeve bearings
- Two-speed, 1075/775 RPM⁽²⁾ double shaft
- Extended thru bolts, base included, plus 4 split rings
- 14 inch leads
- For accessories see pages M-73 to M-75

Specifications:

- Single phase, 60/50 Hertz
- Open construction
- Overload protected
- Fan duty, continuous, air over
- 3 inch shaft height when base mounted

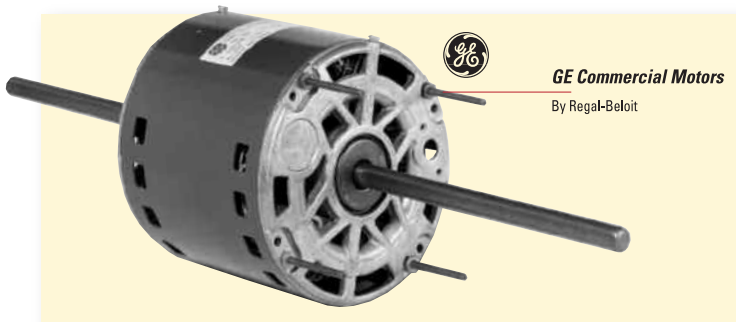


1075/775 RPM⁽¹⁾

MARS NO.	GE NO. 5KCP	HP	VOLTS	AMPS	ROT LE	CAP. REQUIRED	A	B	C	D
03091	39KGD368T	1/3	208-230	2.4	CCW	5/370	6.50	6.46	9.00	1/2
03092 ⁽²⁾	39NGD369T	1/2	208-230	3.8	CCW	5/370	8.00	6.46	8.50	1/2

(1) Approximately 300 RPM differential between speeds depending on fan load
 (2) 60 Hertz only

GE by RBC



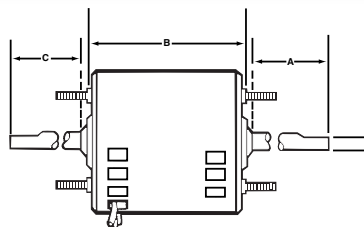
5KCP39 PSC Double Shaft Motors

Features:

- All angle sleeve bearings
- 3 speed, 1075/925/775 RPM
- Extended thru bolts
- Base mount using mounting kit 08095 and appropriate base
- Double ½ inch diameter shafts
- For accessories see pages M-73 to M-75

Specifications:

- Single phase, 60/50 Hertz
- Overload protected
- Fan duty, continuous, air over
- Open construction
- Requires 5 mfd, 370 volt capacitor (MARS No. 12005)
- 14 inch numbered leads



1075/925/775 RPM⁽¹⁾

MARS NO.	GE NO. 5KCP39	HP	VOLTS	AMPS	RPM ⁽¹⁾	ROT LE	DIMENSIONS			BASE NO. ⁽²⁾	
							A	B	C	D	
03656	CGA402T	1/6	208-230	1.0	1075/975/775	CCW	7.50	3.75	8.75	1/2	08053
03676	FGA403T	1/4	208-230	1.7	1075/975/775	CCW	8.50	4.00	7.45	1/2	08054
03686	JGA406T	1/3	208-230	2.5	1075/975/775	CCW	7.75	4.75	7.50	1/2	08057
03696	NGA407T	1/2	208-230	3.5	1075/975/775	CCW	7.50	5.25	7.25	1/2	08060

(1) Approximately 150 RPM differential between speeds depending on fan load (2) Requires base and 08095 mounting kit




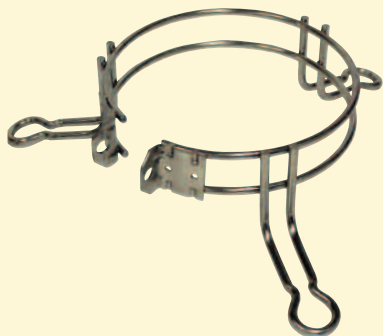
The largest selection of motors, components and accessories for the HVAC/R Industry

Direct Drive Blower Motors - ECM

5½ inch dia. MARS SERIES **036**



 genteq



 Evergreen™ • AH

Introducing Evergreen™... the world's first aftermarket ECM motor containing specially designed firmware to replace 208-230 Volt PSC motors currently used in air handlers and heat pumps which may have optional second stage electric heat.

Wholesalers benefit from the easy creation of a tiered 'BEST' offering, the image of being a technology & solutions leader, and the up-sale of IAQ equipment. To be effective, all IAQ equipment must move air; Evergreen moves air more efficiently than any PSC motor.

Applications:

- HVAC 208-230V single stage and some 2 stage air handler, fan coil, and heat pumps which may have optional electric heat

Features:

- Controlled directly by 24 VAC thermostat inputs
- 5 independent speed selections
- System delays are emulated by programming delays and ramp rates in the motor program
- Evergreen is completely isolated from the system controller board
- 5 speed settings cover COOL / HEAT / Low speed CONSTANT FAN
- For accessories, see page M-51 & M-75

Benefits:

- Energy Savings
- Quiet operation
- Comfort
- Air quality

Exclusions:

- 115V/230V furnace fossil fuel applications
- Replacement of OEM ECM motors

Average Annual Energy Savings

Heat and Cool Operation-
up to \$60 at 10¢ / kWh

Constant Fan Operation-
up to \$268 at 10¢ / kWh

 Evergreen™ **Belly Band**

- **Designed by RBC for Evergreen**
- **Tested by RBC for strength and sound**
- **Evergreen branded accessory**

MARS NO.	DESCRIPTION	MARS PACK
----------	-------------	-----------

08025	10" Bolt Pattern	1
08026	11" Bolt Pattern	1

MARS NO.	HP	ROTATION	VOLTS
----------	----	----------	-------

06001	1/2	CCW	208-230
06002	1/2	CW	208-230
06003	1	CCW	208-230
06004	1	CW	208-230

Direct Drive Blower Motors - ECM

5½ inch dia. MARS SERIES **036**

MOTOR COMPARISON

	PSC MOTOR	STANDARD ECM (X13)	PREMIUM ECM (ThinkTank™ 2.3 & 3.0)	ECM RETROFIT (Evergreen™)
TECHNOLOGY	Induction Motor	Brushless DC	Brushless DC	Brushless DC
AVAILABLE HORSEPOWER	1/3, 1/2, 3/4, 1 HP	1/3, 1/2, 3/4, 1 HP	1/3, 1/2, 3/4, 1 HP	1/5, 1/4, 1/3, 1/2, 3/4 HP
SPEEDS	Select 1-5 taps	Select 1-5 taps	Variable-speed	Select 1-5 profiles
SPEED RANGE	800-1100 RPM	600-1100 RPM	200-1300 RPM	600-1200 RPM
CLIMATE PROFILES	NO	NO	YES	NO
INTELLIGENT CONTROLS	NO	Constant Torque	Constant Airflow	Speed, Compensated Profiles
ADVANCED FEATURES	NO	NO	Communicating Motor, BlaKBox™ Technology	NO
PEAK MOTOR EFFICIENCY	59%	80%	80%	80%
AVERAGE POWER * (COOLING CFM)	515 W	413 W	413 W	413 W
AVERAGE POWER * (CONTINUOUS FAN CFM)	515 W	200 W	83 W	95 W
SUMMARY	No Features, Baseline Product	Limited Features, High Efficiency	Full Features, Maximum Efficiency	Limited Features, High Efficiency
APPLICATION	Retrofit & OEM	OEM	OEM	Retrofit for indoor PSC Motors

* Average power consumption based on specified setting in a typical three-ton system.

GENTEQ



GE TecMate Pro™ Service Tool

The new GE Tecmate Pro™ Service Tool, MARS stock #08500 is the latest advance in ECM technology developed by and for Genteq Motors. The Tecmate allows the service technician to analyze a Genteq ECM motor independently of the HVAC system in which it is installed. The Tecmate can test all the basic settings of a Genteq ECM motor, and can detect and isolate motor failures from HVAC system failures.

Genteq is the leader in ECM motor technology. ECM motor applications are a fast growing segment of the residential and light commercial HVAC market. Genteq's advanced designs in ECM motors are at the forefront of high efficiency equipment design.

MARS No. 08500

**Compact
Easy To Use**

See Additional ECM Accessories on page M-75

Direct Drive Blower Motors - ECM

5½ inch dia. MARS SERIES **036**



 genteq

 Evergreen™ • IM



Evergreen IM is the world's first high-efficiency ECM replacement motor that is designed to replace factory PSC blower motors in HVAC systems. Built from the same trusted, field-proven ECM technology that is found in millions of OEM systems nationwide, Evergreen uses up to 25% fewer watts in operating mode and up to 74% fewer Watts than a PSC motor in constant fan.

Evergreen's ECM controls combine thermostat commands with an advanced permanent-magnet design to run more efficiently and quietly while offering better airflow control than a PSC. The Evergreen IM is a great replacement for any PSC air-handler motor, adding up to 1 SEER point to an existing system. The motor's airflow benefits are especially important to homeowners who run (or would like to run) in constant fan mode for better comfort, improved IAQ products, or improved zoning airflow.

Applications:

- Direct drive, 115 or 230VAC motor systems
- Clock-wise (CW) or counter clock-wise (CCW) rotation
- Residential split and packaged systems
- Air conditioning or heat pump systems
- Natural gas, propane and oil heat furnaces
- Dual fuel systems
- Hot water coil and geothermal air handlers

Features:

- Two motors cover all applications
- Multi-volt 115/230 and reversible rotation
- Integrated with HVAC system controls/operation
- Four speed selections for heating and cooling
- Optimized constant fan speed
- Two (2) year warranty
- Reduce truck stock, no capacitors to change out or stock
- For accessories, see pages M-51 & M-75

Average Annual Energy Savings

Heat and Cool Operation-
up to \$60 at 10¢ / kWh

Constant Fan Operation-
up to \$268 at 10¢ / kWh

Evergreen™ Belly Band

- **Designed by RBC for Evergreen**
- **Tested by RBC for strength and sound**
- **Evergreen branded accessory**

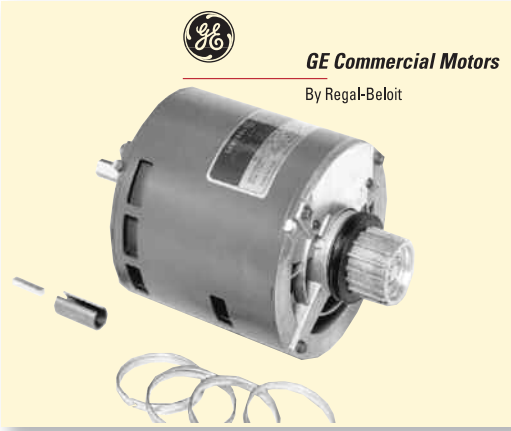
MARS NO.	DESCRIPTION	MARS PACK
08025	10" Bolt Pattern	1
08026	11" Bolt Pattern	1
08027	13" Bolt Pattern	1

600 - 1075 RPM

MARS NO.	MODEL NO.	HP	VOLTS	ROT	MARS PACK
06005	5SME39HXL110	1/5, 1/4, 1/3, 1/2	115/230	REV	1
06010	5SME39SXL111	1/2, 3/4, 1	115/230	REV	1

Belted Fan & Blower Motors - Split Phase

5 1/2 inch dia. MARS SERIES 043



“PDQ” Belted Fan And Blower Motors

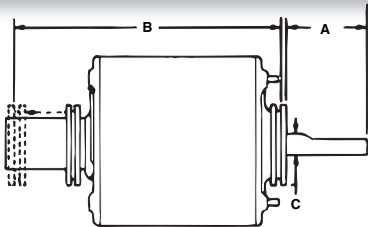
GE “PDQ” motors are designed to replace 48 and 56 frame belt driven furnace blower motors by using the old base. The patented design of the end shield allows the resilient ring to be positioned along the extended hub to match the dimensions of the old base. 2.50 inch resilient rings are provided, but split rings can be removed to reduce diameter to 2.25 inch. All motors feature reversible rotation and 1725 RPM.

Features:

- Length adjusts to fit old base
- Permanently lubricated ball bearings
- 1/2 inch shaft with flat, 5/8 inch adapter with key included
- EXTRA long life centrifugal starting switch
- Open construction

Specifications:

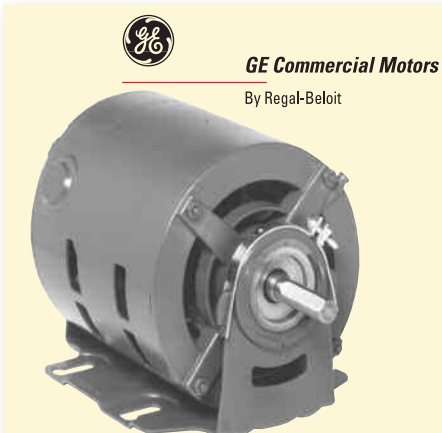
- Single phase, 60 Hertz
- Overload protected
- Time rating, continuous, 40°C ambient
- Moderate starting torque



1725 RPM – Reversible Rotation - Ball Bearing - 4 Pole

MARS NO.	GE NO. 5KH3	MARATHON NO.	HP	VOLTS	FLA	SF	DIMENSIONS			NEMA FRAME
							A	B	C	
04730	5KH39QNC003T	4730	1/4	115	5.0	1.35	1.5	6.67/7.91	1/2	48/56
04733	9DNA533T	4733	1/4	115	5.1	1.35	1.5	7.12/8.11	1/2	48/56
04731	5KH39QNC004X	4731	1/3	115	5.8	1.35	1.5	6.87/8.16	1/2	48/56
04738	9QN9703T	4738	1/3	230	3.1	1.35	1.5	6.87/8.16	1/2	48/56
04732	D5KH39QNC000T	4732	1/2	115	7.9	1.25	1.5	7.12/8.11	1/2	48/56
04734	2HNA532T	4734	1/3	115	6.6	1.35	1.5	7.12/8.11	1/2	48/56
04739	9QN9704T	4739	1/2	230	4.0	1.25	1.5	7.12/8.11	1/2	48/56

Bases for “PDQ” motors - order separately MARS# 08062 See Page M-73



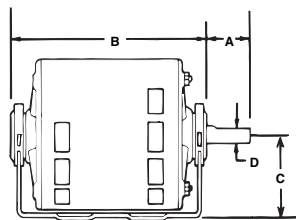
Economy Model Belted Fan And Blower Motors

Features:

- All angle sleeve or ball bearings
- Resilient base mounted
- Slotted holes in base match 48 or 56 frame bolt patterns
- 1/2 inch shaft diameter - 5/8 inch adapter with key included

Specifications:

- Single phase, 60 Hertz
- Overload protection
- Open construction
- Continuous duty, 40°C ambient



1725 RPM - Reversible Rotation - 4 Pole

MARS NO.	GE NO. 5KH3	MARATHON NO.	HP	VOLTS	FLA	SF	DIMENSIONS				NEMA FRAME
							A	B	C	D	
04701	9QN5771T	4701	1/4	115	5.1	1.35	1.50	6.65	3.0	1/2	48/56
04706	9QN5772T	4706	1/3	115	6.6	1.35	1.50	6.61	3.0	1/2	48/56
04708	9QN5773T	4708	1/2	115	7.9	1.25	1.50	6.91	3.0	1/2	48/56
04338 ⁽¹⁾	9QN9541T	4338	3/4	115	11.4	1.00	1.50	9.80	3.0	1/2	56

(1) Ball bearings Upon depletion of stock on this item, the referenced Marathon item will be substituted.

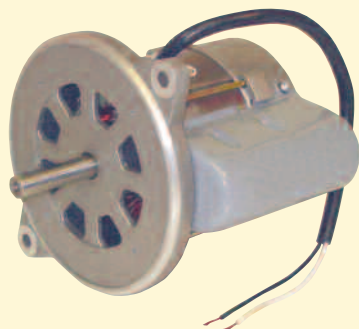
Heating Motors - PSC & Split Phase

5½ inch dia. MARS SERIES **047**



GE Commercial Motors

By Regal-Beloit



Replacement Oil Burner Motors

Oil burner motors are available in a variety of styles and models for all applications. These motors will replace any vented or non-vented flange oil burner motor.

Features:

- Totally enclosed shell, vented flange on shaft end
- All angle ball or sleeve bearings
- 1725 RPM and 3450 RPM models available
- Standard NEMA mounting flanges
- Reversible rotation

Specifications:

- PSC & split phase models
- CW rotation opposite shaft end
- Single phase, 60 Hertz
- Automatic reset, overload protected
- Continuous duty, 1.0 service factor
- UL recognized & CSA certified
- Enclosed construction
- Two lug Rabbett Flange

Cross Reference:

A.O. Smith	Beckett	Emerson	MARS NO.
OBK2002	21805U	3274	04777

Beckett Replacement:

GE Model # 5KCP100EZA001X **MARS# 04777**

MARS NO.	MARATHON NO.	HP	VOLTS	AMPS	RPM	DIMENSIONS		NEMA FRAME	LUG CENTERS	RABBETT FLANGE
						A	B			
3450 RPM - 2 Pole										
04777 ⁽¹⁾ ⊕	4777	1/7	115	1.70	3450	1.75	4.86	48M	—	6.38
04773⊕	4773	1/8	115	2.35	3450	1.88	5.34	48N	7.25	6.38
04779 ⁽²⁾	-	1/7	115	2.35	3450	1.88	5.12	48M	6.75	5.50
04785	-	1/4	115	3.60	3450	1.88	6.07	48N	7.25	6.38
04774⊕	4774	1/3	115	4.90	3450	1.88	6.32	48N	7.25	6.38
1725 RPM - 4 Pole										
04782⊕	4782	1/8	115	2.60	1725	1.84	5.34	48N	7.25	6.38
04784⊕	4784	1/6	115	3.50	1725	1.84	5.54	48N	7.25	6.38
04786⊕	4786	1/4	115	4.40	1725	1.84	5.82	48N	7.25	6.38
04787⊕	4787	1/3	115	5.20	1725	1.84	6.07	48N	7.25	6.38

(1) PSC (2) 24 inch leads are 18 gauge SC cord

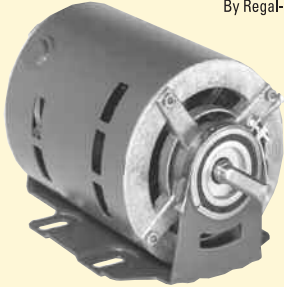
⊕ Upon depletion of stock on this item, the referenced Marathon item will be substituted.

Belted Fan & Blower Motors - Split Phase

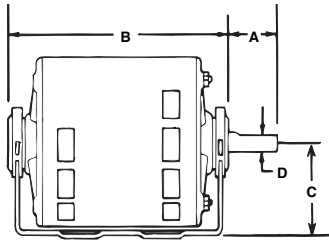
5 1/2 inch dia. MARS SERIES 043



GE Commercial Motors
By Regal-Beloit



Special Purpose Belted Fan And Blower Motors



GE special purpose motors are designed for belted fan and blower applications; however, they are also suitable for general purpose applications.

Features:

- All angle sleeve or ball bearings
- Resilient base mounted

Specifications:

- Single phase, 60 Hertz
- Overload protection
- Open construction
- Continuous duty, 40°C ambient
- NEMA service factors

1725 RPM - Reversible Rotation - Sleeve Bearing - 4 Pole

MARS NO.	GE NO. 5KH3	MARATHON NO.	HP	VOLTS	FLA	SF	DIMENSIONS				NEMA FRAME
							A	B	C	D	
04304*	9QN5777	4304	1/6	115	3.9	1.35	1.5	7.34	3.0	1/2	48
04314	9QN5520X	4314	1/6	115	3.9	1.35	1.5	7.05	3.0	1/2	48
04750	9QN5511X	4305	1/4	115	5.1	1.35	1.5	6.75	3.0	1/2	48
04363	9QN5526X	-	1/4	115	5.1	1.35	1.5	6.75	3.5	1/2 ⁽¹⁾	56Z
04306	9QN5537X	4306	1/4	230	2.5	1.35	1.5	7.10	3.0	1/2	48
04752	9QN9425T	Special Order	1/3	115	5.6	1.35	1.5	7.00	3.0	1/2	48

(1) Shaft extension 1-7/8" long by 1/2" diameter * No overload protection

1725 RPM - Reversible Rotation - Ball Bearing - 4 Pole

MARS NO.	GE NO. 5KH3	MARATHON NO.	HP	VOLTS	FLA	SF	DIMENSIONS				NEMA FRAME
							A	B	C	D	
04355*	9QN5776	4355	1/4	115	5.1	1.35	1.5	7.34	3.0	1/2	48
04357*	9QN5542	4352	1/4	115	5.7	1.0	1.5	7.34	3.0	1/2	48
04309	9QN9514X	4309	1/3	230	3.1	1.35	1.5	7.60	3.0	1/2	48
04757	9QN9636T	4757	1/3	230	3.1	1.35	1.5	7.00	3.5	1/2 ⁽¹⁾	56Z
04377*	9QN5774	4377	1/3	115	6.2	1.00	1.5	7.70	3.5	1/2 ⁽¹⁾	56Z
04369	9QN5775	4369	1/3	115	6.2	1.00	1.5	7.34	3.0	1/2	48
04758	9QN9698T	4758	1/2	115	7.9	1.25	1.5	7.50	3.5	1/2 ⁽¹⁾	56Z
04759	9QN9697T	4759	1/2	230	4.0	1.25	1.5	7.50	3.5	1/2 ⁽¹⁾	56Z
04386*	9QN9218	4386	1/2	115	8.3	1.00	1.5	8.90	3.5	1/2	56
04422*	9QNC009	4422	3/4	115	11.2	1.00	1.5	8.90	3.5	1/2	56

(1) Shaft extension 1-1/2" long by 1/2" dia. with 5/8" shaft adapter. * No overload protection



General Purpose Split Phase Motors

GE general purpose split phase motors are designed for applications having moderate starting loads or loads applied after the motor is up to speed, like commercial fans, blowers and evaporative coolers.

Features:

- Sleeve or ball bearings
- Reversible rotation
- Welded base
- Foot mount
- No thermal protection

Specifications:

- Single phase
- NEMA service factor
- 48 and 56 frame
- Dripproof
- Single speed
- 1725 rpm
- 115 volts

MARS NO.	GE NO. 5KH3	MARATHON NO.	HP	AMPS	BEARING TYPE	SF	NEMA FRAME	SHAFT DIA.	SHAFT LENGTH
04351	9QN9542A	4351	1/4	5.7	Sleeve	1.00	48	1/2	1-1/2
04345	3FN6	H239	1/4	5.6	Ball	1.35	48	1/2	1-1/2
04356 ⁽¹⁾	2DNA612	H901	1/4	5.1	Ball	1.15	48Z	1/2	2-1/4
04368	9QN9397	4368	1/3	6.6	Sleeve	1.00	48	1/2	1-1/2
04375	9QN9091	H230	1/2	8.3	Ball	1.00	56	5/8	1-7/8
04609 ⁽¹⁾	6JNA769	H905	1/2	8.1	Ball	1.15	56Z	5/8	2-1/4

(1) Steel endshields

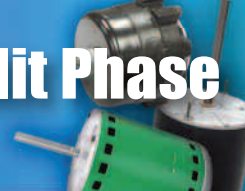
Upon depletion of stock on this item, the referenced Marathon item will be substituted.



The largest selection of motors, components and accessories for the HVAC/R Industry

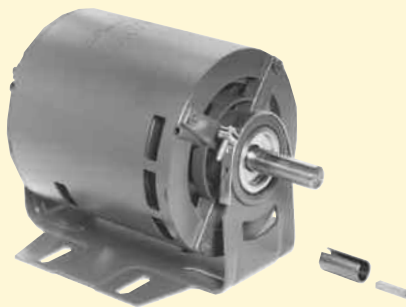
Fan & Blower Motors - Special Service - Split Phase

5½ inch dia. MARS SERIES 045



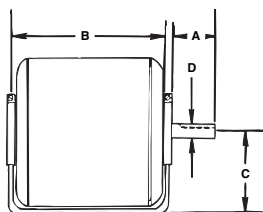
GE Commercial Motors

By Regal-Beloit



Split Phase 56 Frame Motors

GE base mount 56 frame split phase special service motors with 1.0 service factor are for use on summer cooling fans, evaporative coolers, power tools and industrial fans and blowers. Models with 1.25 service factor are for use on residential and commercial belted air handlers, exhaust fans and furnaces.



Features:

- Ball bearings
- Reversible rotation
- Single and two-speed models
- Resilient base mounting
- 5/8 inch shaft with key

Specifications:

- Single phase, 60 Hertz
- Overload protection
- Open construction
- continuous duty, 40°C ambient

Reversible Rotation

MARS NO.	GE NO. 5KH	MARATHON NO.	HP	VOLTS	FLA	RPM	SF	DIMENSIONS				NEMA FRAME
								A	B	C	D	
04604 ⁽¹⁾ ⊕	39QN9631T	H131	1/2-1/6	115	8.4/4.8	1725/1140	1.00	1.88	8.50	3.5	5/8	56
04605⊕	39QN9642T	H133	1/2-1/6	230	4.1/2.4	1725/1140	1.00	1.88	8.50	3.5	5/8	56
04624 ⁽²⁾ ⊕	49PN3026	H175	1/2-1/6	115	8.0/4.2	1725/1140	1.25	1.88	9.60	3.5	5/8	56

(1) Requires continuous air over for adequate cooling (2) No overload protection

GE by RBC



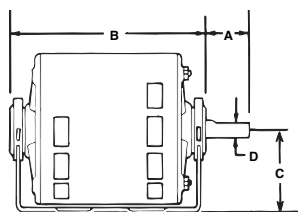
GE Commercial Motors

By Regal-Beloit



Special Service Fan And Blower Motors

GE special service motors are designed for industrial fan and blower applications and are also suitable for use in evaporative coolers.



Features:

- All angle sleeve or ball bearings
- Single and two-speed models
- Reversible rotation
- Resilient base mount

Specifications:

- Single phase, 60 Hertz
- Overload protected
- Open construction
- Fan duty, continuous, 40°C ambient
- 1.0 service factor

Reversible Rotation - 4 Pole

MARS NO.	GE NO. 5KH	MARATHON NO.	HP	VOLTS	FLA	RPM	DIMENSIONS				NEMA FRAME
							A	B	C	D	
04412⊕	39QN9550X	4412	1/4-1/12	230	2.1/1.3	1725/1140	1.5	7.00	3.0	1/2	48
04776	39QN5539T	-	1/3	115	6.3	1725	1.5	7.00	3.5	1/2 ⁽¹⁾	56Z
04319 ⁽²⁾ ⊕	39QN9429T	4319	1/3-1/9	115	6.4/2.8	1725/1140	1.5	8.75	3.0	1/2	48
04344⊕	37PN33	H171	1/4-1/12	115	4.2/2.7	1725/1140	1.88	8.81	3.0	1/2	48Z
04311⊕	39QN5529X	4311	1/3	230	3.2	1725	1.5	6.75	3.0	1/2	48
04778 ⁽³⁾ ⊕	39QN9639T	-	1/2	115	8.1	1725	1.5	7.50	3.5	1/2 ⁽¹⁾	56Z
04396⊕	39QN9683	4396	1/3-1/9	115	6.3/3.1	1725/1140	1.5	9.00	3.0	1/2	48

(1) 5/8 inch shaft adapter with key included (2) Extended thru bolts, shaft end (3) Ball bearing

MARATHON

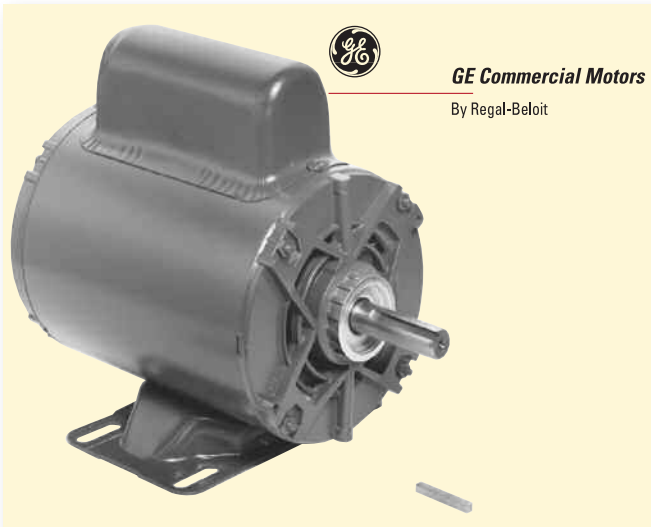
M-56

The largest selection of motors, components and accessories for the HVAC/R Industry



General Purpose Motors - Capacitor Start

5½ & 6½ inch dia. MARS SERIES 045



General Purpose Capacitor Start Motors

Solid Base Open, Dripproof Construction

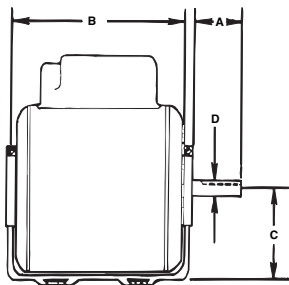
GE general purpose capacitor start motors are suitable for a variety of applications including water pumps, air compressors and applications with heavy starting loads. Models are available with solid or resilient base mount, ball bearings.

Features:

- Ball bearings
- Reversible rotation
- Dual voltage
- NEMA service factors
- Solid base mounting, NEMA 56 frame

Specifications:

- Single phase, 60 Hertz
- Overload protection
- Continuous duty, 40°C ambient



Reversible Rotation – Solid Base

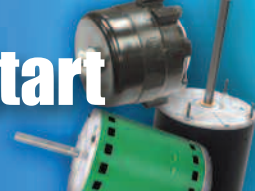
MARS NO.	GE NO. 5KC	MARATHON NO.	HP	VOLTS	RPM	FLA	SF	DIMENSIONS			
								A	B	C	D
04216 ⁽⁴⁾⁽⁵⁾⁽⁶⁾⁽⁷⁾ ⊗	5KH32FN3123	HG120	1/4	115	115	5.1	1.00	1.50	8.42	3.0	1/2
04232 ⁽²⁾⁽⁴⁾ ⊗	35JN10	C147	1/4	115/208-230	1725	5.2/2.7-2.6	1.35	1.50	7.37	3.0	1/2
04206 ⁽⁴⁾ ⊗	35JN10X	C148	1/4	115/208-230	1725	5.2/2.7-2.6	1.35	1.50	7.37	3.0	1/2
04241 ⁽²⁾⁽⁴⁾ ⊗	36LN30	C153	1/3	115/208-230	1725/1425	6.0//3.2-3.0	1.35	1.50	7.78	3.0	1/2
04234 ⁽⁴⁾ ⊗	36LN30X	C154	1/3	115/208-230	1725/1425	6.0/3.2-3.0	1.35	1.50	7.78	3.0	1/2
04576⊗	36LN7X	C159	1/3	115/208-230	1725/1425	6.0/3.2-3.0	1.35	1.88	8.44	3.5	5/8
04242 ⁽¹⁾⁽²⁾ ⊗	36LN7	C158	1/3	115/208-230	1725/1425	6.0/3.2-3.0	1.35	1.88	8.44	3.5	5/8
04881 ⁽³⁾ ⊗	37LN502Y	C1474	1/2	115/230	3450	7.4/3.7	1.25	1.88	8.84	3.5	5/8
04577 ⁽²⁾ ⊗	49GN0010	C167	1/2	115/208-230	1725	8.8/4.2-4.4	1.25	1.88	8.50	3.5	5/8
04564⊗	49GN0010X	C168	1/2	115/230	1725	8.8/4.4	1.25	1.88	8.82	3.5	5/8
04240 ⁽³⁾ ⊗	37NN501Y	C1475	3/4	115/230	3450	10.2/5.1	1.25	1.88	8.84	3.5	5/8
04540 ⁽²⁾ ⊗	46LN0153	C175	3/4	115/208-230	1725	13.2/6.2-6.6	1.25	1.88	8.90	3.5	5/8
04565⊗	46LN0153X	C176	3/4	115/230	1725	13.2/6.6	1.25	1.88	10.02	3.5	5/8
04243⊗	38RN60X	C180	1	115/208-230	3450	12.4/6.4-6.2	1.25	1.88	9.16	3.5	5/8
04578 ⁽²⁾ ⊗	49PN0161	C181	1	115/208-230	1725	13.6/6.7-6.8	1.15	1.88	9.50	3.5	5/8
04880 ⁽³⁾ ⊗	49PN0161U	C1480	1	115/230	1725	13.6/6.8	1.15	1.88	9.50	3.5	5/8
04566⊗	49PN0161X	C182	1	115/230	1725	13.6/6.8	1.25	1.88	10.02	3.5	5/8
04877 ⁽³⁾ ⊗	49PN2144X	C1477	1-1/2	115/230	3450	16.8/8.4	1.15	1.88	10.03	3.5	5/8
04541 ⁽¹⁾⁽²⁾ ⊗	R49SN0068	C185	1-1/2	115/208-230	1725	18.2/9.1-9.1	1.15	1.88	10.03	3.5	5/8
04567 ⁽¹⁾ ⊗	R49SN0068X	C186	1-1/2	115/230	1725	18.2/9.1	1.25	1.88	11.92	3.5	5/8
04878 ⁽²⁾ ⊗	48TN2169	C187	2	115/230	3450	21.2/10.6	1.15	1.88	10.78	3.5	5/8
04543 ⁽¹⁾⁽²⁾ ⊗	R49WN0270	C193	2	115/208-230	1725	22.0/10.9-11.0	1.15	1.88	12.45	3.5	5/8
04542 ⁽¹⁾ ⊗	R49WN0270T	C381	2	115/208-230	1725	22.0/10.9-11.0	1.15	1.88	12.45	3.5	5/8

(1) Electrical design incorporates a run capacitor (2) No overload protection (3) Manual reset thermal protection (4) 48 frame (5) Totally enclosed fan cooled (6) Split phase model (7) No overload protection

⊗ Upon depletion of stock on this item, the referenced Marathon item will be substituted.

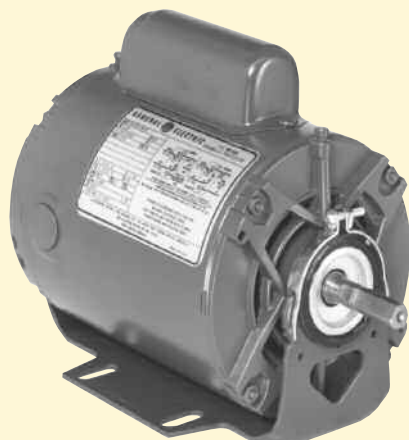
General Purpose Motors - Capacitor Start

5½ & 6½ inch dia. MARS SERIES 045



GE Commercial Motors

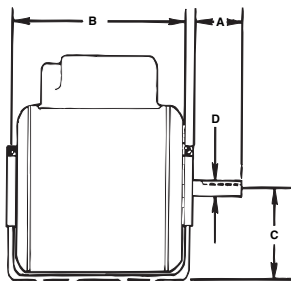
By Regal-Beloit



General Purpose Capacitor Start Motors

Resilient Base Open, Dripproof Construction

GE general purpose capacitor start motors are suitable for a variety of applications including water pumps, air compressors, commercial refrigeration compressors, and applications with heavy starting loads. Models are available with solid or resilient base mount, sleeve or ball bearings.



Features:

- All angle sleeve or ball bearings
- Reversible rotation
- Dual voltage
- NEMA service factors
- Resilient base mounting, NEMA 48 or 56 frame
- Open, dripproof construction

Specifications:

- Single phase, 60 Hertz
- Overload protection
- Continuous duty, 40°C ambient

GE by RBC

MARATHON

MARS NO.	GE NO. 5KC	MARATHON NO.	HP	VOLTS	FLA 115/208-230	SF	NEMA FRAME	DIMENSIONS			
								A	B	C	D
1725 RPM - Reversible Rotation, Sleeve Or Ball Bearing - 4 Pole											
04203	35JNC019X	G1115	1/4	115/230	5.2/2.6	1.35	48	1.50	7.64	3.0	1/2
04200*	35JN7J	G1114	1/4	115/230	5.2/2.6	1.35	48	1.50	7.64	3.0	1/2
04230 ⁽¹⁾ (2)	36LN26X	C210	1/3	115/208-230	6.0/3.2-3.0	1.35	48	1.50	8.50	3.0	1/2
04204	35JN23X	C129	1/3	115/230	6.4/3.2	1.00	48	1.50	7.64	3.0	1/2
1725 RPM - Reversible Rotation, Ball Bearing - 4 Pole											
04591 ⁽²⁾	36LN1X	C216	1/3	115/208-230	6.0/3.2-3.0	1.35	56	1.88	8.42	3.5	5/8
04210 ^{(2)*}	36LN26J	C209	1/3	115/208-230	6.0/3.2-3.0	1.35	48	1.50	8.50	3.0	1/2
04525 ^{(2)*}	36LN1	C215	1/3	115/208-230	6.0/3.2-3.0	1.35	56	1.88	8.52	3.5	5/8
04863 ⁽⁴⁾	49PN6051X	C548	1/3	115/230	8.6/4.3	1.35	56	1.88	10.50	3.5	5/8
04521*	49GN0001	C221	1/2	115/208-230	8.8/4.2-4.4	1.25	56	1.88	8.50	3.5	5/8
04596	36MNC020X	C133	1/2	115/230	8.2/4.1	1.00	48	1.50	8.50	3.0	1/2
04597*	46LN0158	C230	3/4	115/208-230	13.2/6.2-6.6	1.25	56	1.88	8.90	3.5	5/8
04592	49GN0873X	CG223	1/2	115/230	8.8/4.4	1.25	56	1.88	8.82	3.5	5/8
04593	46LN0877X	C231	3/4	115/230	13.2/6.6	1.25	56	1.88	10.02	3.5	5/8
04594	49PN0872X	CG236	1	115/230	13.6/6.8	1.15	56	1.88	10.02	3.5	5/8
04514 ⁽²⁾⁽⁵⁾	R48UN0105X	E281	1	100-120/200-240	11.8-11.4/5.9-5.7	1.15	56H	1.88	10.80	3.5	5/8
04598*	49PN0872	C235	1	115/208-230	13.6/6.7-6.8	1.15	56	1.88	10.50	3.5	5/8
04595 ⁽⁵⁾	R49SN0871X	CG239	1-1/2	115/208-230	18.2/9.1	1.15	56H	1.88	11.90	3.5	5/8

3450 RPM - Reversible Rotation, Ball Bearing - 2 Pole

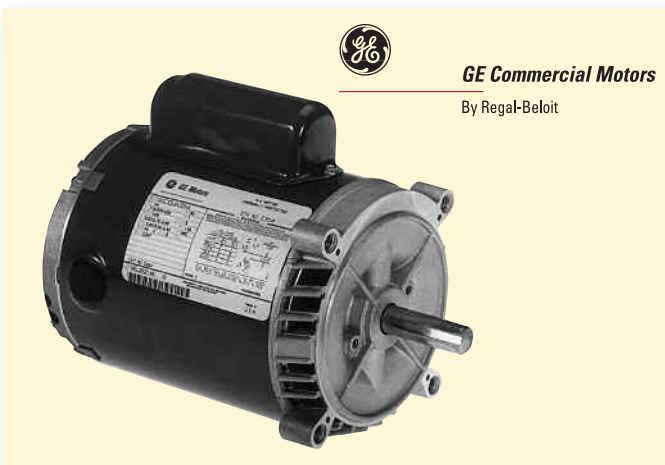
MARS NO.	GE NO. 5KC	MARATHON NO.	HP	VOLTS	FLA 115/230	SF	NEMA FRAME	DIMENSIONS			
								A	B	C	D
04205 ⁽³⁾	35FN51X	C208	1/3	115/230	6.8/3.4	1.35	48	1.50	7.64	3.0	1/2
04244*	36JN267	C219	1/2	115/230	7.6/3.8	1.25	48	1.50	8.50	3.0	1/2

*No overload protection (1) Ball bearing (2) 1725/1425 RPM (3) Moderate starting torque, suitable for soft starts (4) 1140 RPM (5) Electrical design incorporates a run capacitor

⊗ Upon depletion of stock on this item, the referenced Marathon item will be substituted.

General Purpose Motors - Capacitor Start

5½ & 6½ inch dia. MARS SERIES 045



GE Commercial Motors

By Regal-Beloit

General Purpose Capacitor Start Motors

End Mount Dripproof Construction

Designed for use on commercial and industrial pumps, centrifugal and hydraulic pumps, machine tools, and other equipment requiring NEMA C-face mounting configuration.

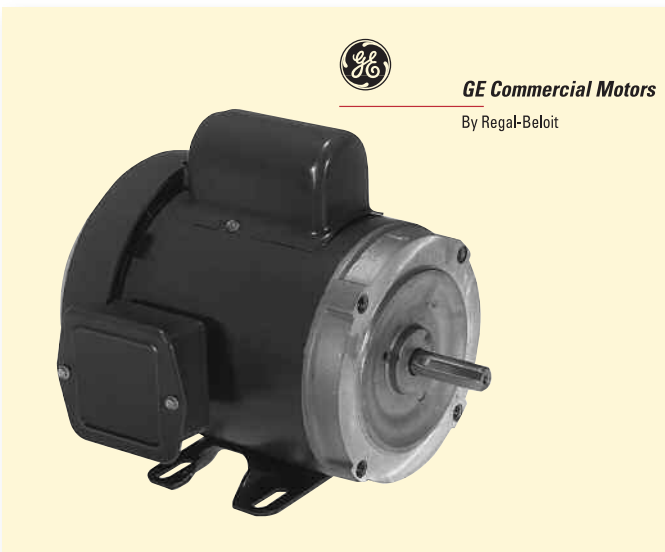
Features:

- Ball bearings
- Reversible rotation
- No base provided

Specifications:

- Single phase
- Dual voltage
- NEMA 56C frame
- 5/8" shaft diameter
- 2" shaft length

MARS NO.	GE NO. 5KC	MARATHON NO.	HP	VOLTS	AMPS	SF	RPM	THERMAL PROTECTION
04858	35JN70	C1296	1/4	115/208-230	5.2/2.7-2.6	1.35	1725	None
04864	35JN70X	C354	1/4	115/208-230	5.2/2.7-2.6	1.35	1725	Auto
04865	49GN0009	C358	1/2	115/208-230	8.8/4.2-4.4	1.25	1725	None
04868	49GN0009X	C359	1/2	115/230	8.8/4.4	1.25	1725	Auto
04867	46LN0159	CG361	3/4	115/208-230	13.2/6.2-6.6	1.25	1725	None
04866	46LN0159X	CG362	3/4	115/230	8.8/4.4	1.5	1725	Auto



GE Commercial Motors

By Regal-Beloit

General Purpose 56C Frame Capacitor Start Motors

End Mount - Totally Enclosed Fan Cooled

GE general purpose 56C frame capacitor start motors are designed for use on commercial and industrial pumps, centrifugal and hydraulic pumps, machine tools and other equipment requiring NEMA C-face mounting in dirty or dusty

Features:

- Ball bearings
- Reverse rotation
- No overload protection
- NEMA C-face mounting

Specifications:

- Single phase
- Totally enclosed fan cooled
- End mounted

115/230 Volts

MARS NO.	GE NO. 5KC	MARATHON NO.	HP	RPM	SF	BASE	AMPS	SHAFT LENGTH	SHAFT DIA.
04584	49MN6063	C1423	1/4	1140	1.0	NB	6.2	2"	5/8
04585	32GN25	G1511	1/4	1725	1.0	NB	5.4	2"	5/8
04582	35MN73	G1513	1/3	1725	1.0	NB	6.0	2"	5/8
04586	35MN145	C1405	1/3	1725	1.0	WB	6.0	2"	5/8
04508	42GN0018	G1515	1/2	1725	1.15	NB	8.6	2"	5/8
04587	46PN0032	C369	3/4	1725	1.0	NB	11.0	2"	5/8
04588	49PN0283	C1425	3/4	1725	1.0	WB	11.0	2"	5/8
04590	49TN0035	G1519	1	1725	1.0	NB	13.2	2"	5/8
04589	49TN0067	C376	3	1725	1.0	WB	13.2	2"	5/8

NOTE: NB = No base provided WB = Welded base

Upon depletion of stock on this item, the referenced Marathon item will be substituted.



The largest selection of motors, components and accessories for the HVAC/R Industry

M-59

GE by RBC

MARATHON

Pump Motors, Single Phase

5½ inch dia. MARS SERIES 045



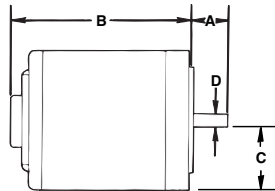
GE Commercial Motors

By Regal-Beloit



Single Phase, Dual Voltage Centrifugal Pump Motors

GE dripproof, capacitor start, 56 C frame motors are used for centrifugal pumps and other applications requiring open end-mounted ball bearing motors.



Reversible Rotation

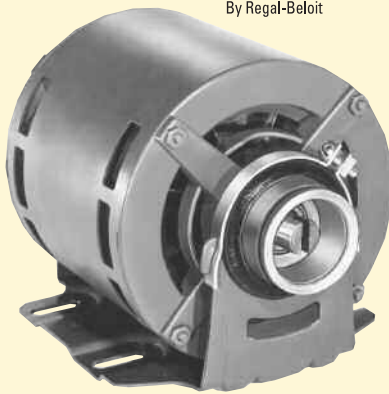
MARS NO.	GE NO. 5KC	MARATHON NO.	HP	VOLTS	FLA 115/208-230	RPM	SF	DIMENSIONS			
								A	B	C	D
04869*⊕	36LN83	C355	1/3	115/208-230	6.0/3.2-3.0	1725/1425	1.35	1.88	10.30	3.5	5/8
04535⊕	36LN83X	C356	1/3	115/230	6.0/3.2-3.0	1725/1425	1.35	1.88	10.30	3.5	5/8
04550⊕	37FN71X	J1025	1/3	115/230	6.4/3.2	3450	1.75	1.88	8.82	3.5	5/8
04552⊕	36JN268X	C330	1/2	115/230	7.6/3.8	3450	1.60	1.88	9.52	3.5	5/8
04511⊕	36JN269X	C331	1/2	115/230	7.6/3.8	3450	1.60	1.88	8.94	3.5	5/8
04512⊕	39QN3219X	C333	3/4	115/230	11.2/5.6	3450	1.50	1.88	10.52	3.5	5/8
04554⊕	39NN50X	C332	3/4	115/230	11.2/5.6	3450	1.50	1.88	9.92	3.5	5/8

* No overload protection



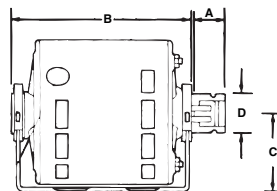
GE Commercial Motors

By Regal-Beloit



Carbonator Pump Motors

GE carbonator pump motors are designed for use on carbonator pumps, utility pumps, direct drive gear and vane type pumps.



Features:

- All angle, sleeve bearings – thrust bearing carries up to 25 lb. end thrust
- 1725 rpm, reversible rotation
- Resilient base mount

Specifications:

- Single phase, 60 Hertz
- Overload protection
- Continuous duty, 40°C ambient, 1.0 service factor

1725 RPM - Reversible Rotation - 4 Pole

MARS NO.	GE NO. 5KH3	MARATHON NO.	HP	VOLTS	FLA	SF	DIMENSIONS				NEMA FRAME
							A	B	C	D	
04725⊕	2DN5587X	4725	1/4	115	5.0	1.00	.75	6.75	3.0	1.86	48Y
04803 ⁽¹⁾ (2)⊕	2GNB813X	HG451	1/4	208-240	2.3	1.00	.75	7.00	3.0	1.86	48Y
04406 ⁽¹⁾ ⊕	2FN5586X	4406	1/3	115	5.6	1.15	.75	7.05	3.0	1.86	48Y
04805 ⁽¹⁾ (2)⊕	2GNB811X	4805	1/3	100-120/200-240	5.6/2.8	1.00	.75	7.00	3.0	1.86	48Y

(1) 50/60 hertz (2) 1725/1425 rpm

⊕ Upon depletion of stock on this item, the referenced Marathon item will be substituted.

M-60

The largest selection of motors, components and accessories for the HVAC/R Industry



GE by RBC

MARATHON

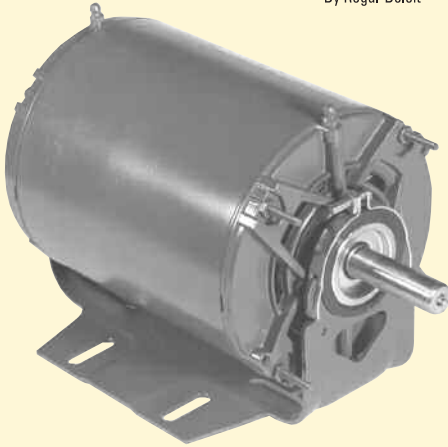
Fan & Blower Motors - Split Phase

5½ & 6½ inch dia. MARS SERIES 045



GE Commercial Motors

By Regal-Beloit



Air Moving Single Phase Commercial Fan And Blower Motors

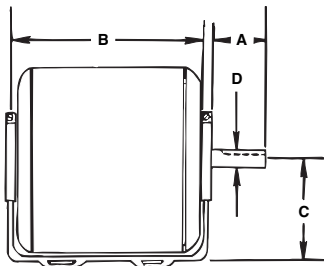
GE commercial fan and blower motors are adaptable to a wide variety of applications. Ball bearings and automatic thermal overload protection coupled with NEMA service factors make these motors the right choice for tough jobs.

Features:

- Single speed
- NEMA service factors
- Ball bearings
- Reversible

Specifications:

- Split phase
- Single phase
- Open dripproof
- Resilient base mounted with extended thru-bolts
- Automatic thermal overload protection



1140 RPM - 115 Volt - 6 Pole

MARS NO.	GE NO. 5KH	MARATHON NO.	HP	FLA	SF	DIMENSIONS				NEMA FRAME
						A	B	C	D	
04343 ⁽²⁾ ⊕	37PN41X	H159	1/6	4.0	1.35	1.50	9.30	3.0	.50	48Z
04361 ^{*(2)} ⊕	37PN41	H158	1/6	4.0	1.35	1.50	9.30	3.0	.50	48
04391 ⁺ ⊕	37PNA233	HG695	1/6	4.0	1.35	1.50	9.00	3.0	.50	48
04614⊕	46MN6053X	H163	1/4	5.6	1.35	1.88	9.02	3.5	.62	56
04626 ⁺ ⊕	46MN6053	H162	1/4	5.6	1.35	1.88	9.02	3.5	.62	56
04615 ⁽¹⁾ ⊕	49PN6055X	HG621	1/3	7.0/3.5	1.35	1.88	10.82	3.5	.62	56
04641 ⁺ ⊕	49PN6055	H168	1/3	7.0/3.5	1.35	1.88	10.82	3.5	.62	56
04617 ⁽¹⁾ ⊕	48UN6054X	H298	1/2	9.0/4.5	1.25	1.88	11.42	3.5	.62	56

1725 RPM - 115 Volt - 4 Pole

MARS NO.	GE NO. 5KH3	MARATHON NO.	HP	FLA	SF	DIMENSIONS				NEMA FRAME
						A	B	C	D	
04365⊕	2DN3085X	H157	1/6	3.9	1.35	1.50	7.80	3.0	.50	48Z
04341 ^{*(1)} ⊕	2DN3085	HG156	1/6	3.9	1.35	1.50	10.00	3.0	.50	48Z
04395 ^{*(3)} ⊕	2FNC008	H160	1/4	5.1	1.35	1.50	12.00	3.0	.50	48Z
04366⊕	2FN3083X	HG161	1/4	5.1	1.35	1.50	7.80	3.0	.50	48Z
04367⊕	2JN3128X	H165	1/3	6.2	1.35	1.50	7.80	3.0	.50	48Z
04388 ^{*(3)} ⊕	2JN3128	H164	1/3	6.2	1.35	1.50	7.80	3.0	.50	48Z
04620⊕	6MN3106X	H248	1/2	9.3	1.25	1.88	8.42	3.5	.62	56
04622⊕	6MN3106	H286	1/2	7.9	1.00	1.88	8.52	3.5	.62	56

* No overload protection (1) 115/230V (2) shaft extension 1-1/2" long by 1/2" dia. w/ 5/8" shaft adapter (3) shaft extension 1-7/8" long by 1/2" dia.

⊕ Upon depletion of stock on this item, the referenced Marathon item will be substituted.

GE by RBC

MARATHON



The largest selection of motors, components and accessories for the HVAC/R Industry

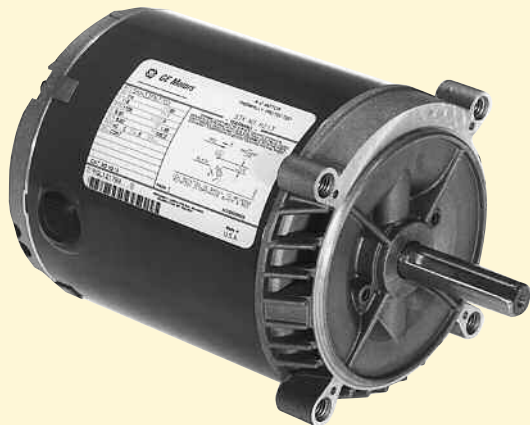
Fan & Blower Motors - Split Phase

5½ & 6½ inch dia. MARS SERIES 045



GE Commercial Motors

By Regal-Beloit



Split Phase 56CZ Frame Fan And Blower Motors

Designed for applications having moderate starting loads, like commercial fans and blowers, and exhaust fans requiring NEMA C-face mounting configuration.

Features:

- Ball bearings
- Reverse rotation
- No overload protection
- Base not included

Specifications:

- Single phase
- Dripproof
- End mounted

Single Speed – 115 Volts

MARS NO.	GE NO. 5KH	MARATHON NO.	HP	RPM	SF	AMPS	SHAFT LENGTH	SHAFT DIA.
04342	32GN142	H204	1/12	1140	1.40	2.4	2-1/4	5/8
04630	36KN112	H206	1/8	1140	1.40	3.8	2-1/4	5/8
04555	37PN36	H209	1/6	1140	1.35	4.0	2-1/4	5/8
04634	46MN6071	H214	1/4	1140	1.35	5.6	2-1/4	5/8
04632	32DN111	H208	1/6	1725	1.35	4.2	2-1/4	5/8
04346	33FN77	H212	1/4	1725	1.35	5.6	2-1/4	5/8
04636	35JN121	H217	1/3	1725	1.35	6.6	2-1/4	5/8
04517	36MN137	H290	1/2	1725	1.25	8.7	2-1/4	5/8

Two Speed – 115 Volts

MARS NO.	GE NO. 5KH	MARATHON NO.	HP	RPM	SF	AMPS	SHAFT LENGTH	SHAFT DIA.
04358	37PN40	H223	1/4-1/12	1725/1140	1.35	4.2	2-1/4	5/8
04638	46MN3040	H225	1/3-1/9	1725/1140	1.35	5.7	2-1/4	5/8
04640	49PN3042	H226	1/2-1/6	1725/1140	1.25	8.0	2-1/4	5/8

⊕ Upon depletion of stock on this item, the referenced Marathon item will be substituted.

GE by RBC

MARATHON



Condenser Fan Motors - PSC

5½ & 6½ inch dia. MARS SERIES 045



GE Commercial Motors
By Regal-Beloit

Commercial Condenser Fan Motors Shaft Up Application With Fan Canopy/Rainshield

GE Commercial Motors by Regal-Beloit offers a full line of energy efficient PSC Commercial Condenser Fan Motors. Three new 575 volt motors, with fan canopy/rainshield, are featured below.

Features:

- Fan Canopy/Rain Shield
- Automatic Thermal Protection
- Reversible Rotation
- Ball Bearings
- Conduit Box
- Single Phase
- Capacitor Not Included
- Vertical Shaft Up Mount
- High Thrust Capacity
- Dual Voltage
- Internal Water Slingers

Specifications

- Class B Insulation
- 60°C Ambient
- 1.0 Service Factor
- 6 - Pole
- Continuous Air-Over
- 48 Frame
- Dripproof Enclosure Rating When Mounted Vertically
- Single Speed

GE by RBC

200-230/460 Volt single phase PSC - 1075 RPM - 48FR - With Fan Canopy

MARS NO.	GE/RBC MODEL NO.	MARATHON NO.	HP	VOLTS	FLA @ NP		DIAM	SHAFT CONIG	SHAFT EXT	ES-to-ES LENGTH	CAP REQD
					230V	460V					
03945	5KCP39MGU464AS	-	0.4	200-230/460	1.8	0.9	1/2"	Flat	4.60"	6.06"	10/370
03946	5KCP39NGU426BS	-	0.6	200-230/460	2.8	1.4	1/2"	Flat	4.75"	7.81"	10/370
03191	5KCP36PNB523S	P192	0.6	200-230/460	4.0	2.0	5/8"	Flat & Key	4.23"	8.30"	10/440
03197	5KCP39SNB480S	P193	0.8	200-230/460	4.0	2.0	1/2"	Flat	3.96"	10.23"	12.5/370
03198	5KCP39SNB481S	P194	0.8	200-230/460	4.0	2.0	5/8"	Flat & Key	4.88"	9.35"	12.5/370
03199	5KCP39SNB482S	P195	1.0	200-230/460	5.6	2.8	5/8"	Flat & Key	5.22"	10.66"	12.5/440
03193	5KCP39UNB767T	P197	1.5	200-230/460	7.8	3.9	5/8"	Flat & Key	5.26"	10.20"	25/440

MARATHON

575 Volt single phase PSC - 1075 RPM - 48FR - With Fan Canopy

MARS NO.	GE/RBC MODEL NO.	MARATHON NO.	HP	VOLTS	FLA @ NP		DIAM	SHAFT CONIG	SHAFT EXT	ES-to-ES LENGTH	CAP REQD
					575V						
03948	5KCP39NGU468AS	-	0.6	575	1.10		1/2"	Flat	4.75"	7.81"	10/370
03192	5KCP39TNB763T	P196	1.0	575	2.6		5/8"	Flat & Key	5.26"	10.20"	15/440
03194	5KCP39UNB764T	P198	1.5	575	3.5		5/8"	Flat & Key	5.26"	10.20"	12.5/440

☞ Upon depletion of stock on this item, the referenced Marathon item will be substituted.



The largest selection of motors, components and accessories for the HVAC/R Industry

Condenser Fan, Three Phase

5½ & 6½ inch dia. MARS SERIES 045



GE Commercial Motors

By Regal-Beloit

Commercial Condenser Fan Motors Shaft Up Application

GE Commercial Motors by Regal-Beloit Corporation offers a full line of energy efficient three phase Commercial Condenser Fan Motors.

Features:

- Selected Models with Fan Canopy/Rainshield
- Reversible Rotation
- Automatic Thermal Protection
- Ball Bearings
- Conduit Box - Fan Canopy Designs
- Threaded Conduit Hole On Non-Fan Canopy Design
- Vertical Shaft Up Mount
- High Thrust Capacity
- Dual Voltage
- Internal Water Slings

Specifications:

- Class B Insulation
- 60C Ambient
- 1.0 Service Factor
- 6 - Pole & 8 - Pole

GE by RBC

56 Frame 208-230/460 Volt Three Phase - 1140 RPM & 850 RPM - Without Fan Canopy

MARS NO.	GE/RBC MODEL NO.	MARATHON NO.	HP	RPM	VOLTS	FLA @ NP		DIAM	SHAFT CONIG	SHAFT EXT	ES-to-ES LENGTH
						230V	460V				
03187	5K46LN6032S	K578	1/2	1140	208-230/460	2.4	1.2	5/8"	Flat & Key	6.0"	8.77"
03188	5K46LN6033S	K378	3/4	1140	208-230/460	3.4	1.7	5/8"	Flat & Key	6.0"	8.77"
03189	5K49RN6034S	K379	1.0	1140	208-230/460	4.0	2.0	5/8"	Flat & Key	6.0"	9.90"
01482	5K48VWN3013S	K1482	1.0	850	208-230/460	5.2	2.6	5/8"	Flat & Key	6.0"	10.65"
03190	5K48TN6035S	K380	1-1/2	1140	208-230/460	5.0	2.5	5/8"	Flat & Key	6.0"	10.65"
03195	5K49ZN6138S	K1488	2.0	1140	208-230/460	7.4	3.7	5/8"	Flat & Key	6.0"	11.85"

56 Frame 575 Volt Three Phase - 1140 RPM & 850 RPM - Without Fan Canopy

MARS NO.	GE/RBC MODEL NO.	MARATHON NO.	HP	RPM	VOLTS	FLA @ NP		DIAM	SHAFT CONIG	SHAFT EXT	ES-to-ES LENGTH
						575V					
01500	5K49MN6432S	K1500	1/2	1140	575	1.0		5/8"	Flat & Key	6.0"	9.37"
01505	5K46LN6428S	K1505	3/4	1140	575	1.5		5/8"	Flat & Key	6.0"	8.77"
01510	5K49RN6429S	K1510	1.0	1140	575	1.6		5/8"	Flat & Key	6.0"	9.90"
01511	5K48VWN3181S	K1511	1.0	850	575	2.0		5/8"	Flat & Key	6.0"	10.65"
01515	5K48TN6430S	K1515	1-1/2	1140	575	2.2		5/8"	Flat & Key	6.0"	10.65"
01520	5K49ZN6433S	K1520	2.0	1140	575	2.5		5/8"	Flat & Key	6.0"	11.85"

48 Frame 200-230/460 Volt Three Phase - 1140 RPM - 48FR - With Fan Canopy

MARS NO.	GE/RBC MODEL NO.	MARATHON NO.	HP	RPM	VOLTS	FLA @ NP		DIAM	SHAFT CONIG	SHAFT EXT	ES-to-ES LENGTH
						230V	460V				
01403	5K36PN345S	K1403	1/2	1140	200-230/460	2.6	1.3	1/2"	Flat	4.70"	7.95"
01404	5K38SN267S	K1404	3/4	1140	200-230/460	3.8	1.9	5/8"	Flat & Key	5.22"	8.95"
04699	5K39SNB505S	-	1.0	1140	200-230/460	4.0	2.0	5/8"	Flat & Key	5.75"	10.20"
01407	5K39SNB587S	K1407	1-1/2	1120	200-230/460	5.8	2.9	5/8"	Flat & Key	5.03"	10.63"

48 Frame 575 Volt Three Phase - With Fan Canopy

MARS NO.	GE/RBC MODEL NO.	MARATHON NO.	HP	RPM	VOLTS	FLA @ NP	DIAM	SHAFT CONIG	SHAFT EXT	ES-to-ES LENGTH
01405	5K39SNB765T	K1405	3/4	1140	575	1.5	5/8"	Flat & Key	5.26"	10.20"

⊗ Upon depletion of stock on this item, the referenced Marathon item will be substituted.

MARATHON

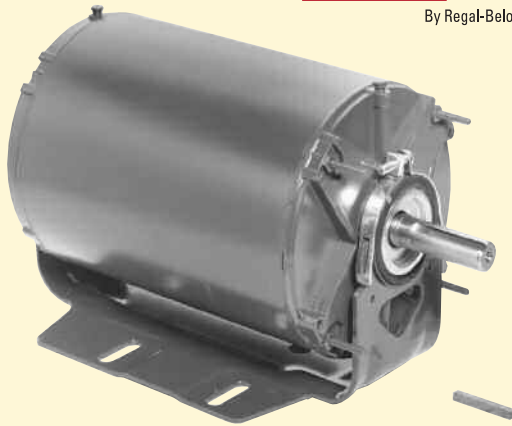
Fan & Blower Motors - Split Phase

5½ & 6½ inch dia. MARS SERIES 045



GE Commercial Motors

By Regal-Beloit



Moderate Starting Torque Split Phase And Capacitor Start Open, Dripproof Fan And Blower Motors

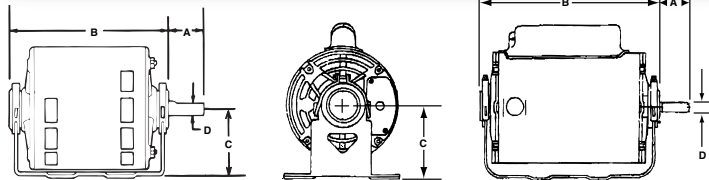
GE open dripproof moderate starting torque motors are designed for industrial duty fans, blower, pumps, power tools, small compressors, farm tools and similar applications.

Features:

- moderate starting torque
- ball bearings
- 1725 rpm, reversible rotation
- resilient base mount, extended thru bolts
- dual voltage

Specifications:

- single phase, 60 Hertz
- overload protected
- continuous duty
- NEMA service factors, 40°C ambient
- class B insulation
- open, dripproof construction, NEMA 56Z frame



1725 RPM - Split Phase - 4 Pole

MARS NO.	GE NO. 5KH3	MARATHON NO.	HP	VOLTS ⁽¹⁾	FLA	SF ⁽¹⁾	DIMENSIONS				NEMA FRAME
							A	B	C	D	
04680	2FNC007T	4680	1/4	115/230	5.0/2.5	1.35	2.25	7.4	3.5	1/2 ⁽²⁾	48Z
04682	5JNC006T	4682	1/3	115/230	6.2/3.1	1.35	2.35	7.9	3.5	1/2	56Z
04372	9QN9546B	4372	1/3	115	6.2	1.05	1.88	7.02	3.5	1/2 ⁽³⁾	56Z
04684	6MNC005T	4684	1/2	115/230	8.9/4.5	1.25	1.88	8.92	3.5	1/2 ⁽³⁾	56Z

1725 RPM - Capacitor Start - 4 Pole

MARS NO.	GE NO. 5KH3	MARATHON NO.	HP	VOLTS ⁽¹⁾	FLA	SF ⁽¹⁾	DIMENSIONS				NEMA FRAME
							A	B	C	D	
04686	46LN0878X	4686	3/4	115/208-230	13.3/6.5-6.6	1.25	2.25	7.4	3.5	1/2 ⁽⁴⁾	56Z
04871	46LN0875X	C1156	3/4	115/208-230	13.3/6.5-6.6	1.25	2.25	7.9	3.5	1/2 ⁽⁴⁾	56Z
04688	49NN0061T	4688	1	115/208-230	13.3/6.5-6.6	1.15	2.25	7.9	3.5	1/2 ⁽⁴⁾	56Z
04872	49PN0876X	C1158	1	115/208-230	14.7/7.2-7.4	1.25	2.25	7.9	3.5	1/2 ⁽⁴⁾	56Z
04870	49GN0022X	C1153	1/2	115/208-230	8.6/4.1-4.3	1.25	2.25	7.9	3.5	1/2 ⁽⁴⁾	56Z
04690	R49SN0150X	C1160	1-1/2	115/208-230	16.4/8.4-8.2	1.15	2.25	7.9	3.5	1/2 ⁽⁴⁾	56Z
04692	R49WN0291T	C1162	2	115/208-230	22.0/10.9-11.0	1.15	2.25	7.9	3.5	1/2 ⁽⁴⁾	56Z

3450 RPM - Capacitor Start - 2 Pole

MARS NO.	GE NO. 5KH3	MARATHON NO.	HP	VOLTS	FLA 115/230V	SF	DIMENSIONS				NEMA FRAME
							A	B	C	D	
04844	39QN3220X	C1152	1/2	115/230	8.2/4.1	1.25	1.50	9.55	3.0	.50	48
04845	38NN410X	C1155	3/4	115/230	10.0/5.0	1.25	1.88	9.49	3.5	.62	56
04875	38NN413X	C1154	3/4	115/208-230	10.0/4.9-5.0	1.25	1.88	10.01	3.5	.50	56H
04846	39RN383X	C1157	1	115/230	13.4/6.7	1.25	1.88	10.02	3.5	.62	56
04847	49RN2152T	C1159	1-1/2	115/230	19.6/9.8	1.15	1.88	11.41	3.5	.62	56H
04848	R49RN2148T	C1161	2	115/230	19.6/9.8	1.20	1.88	10.01	3.5	.62	56H

(1) Also rated 100/200 volts with a 1.0 SF (2) shaft extension 2-1/4" long by 1/2" dia. (3) shaft extension 2-1/4" long by 1/2" dia. w/ 5/8" shaft adapter (4) shaft extension 2-1/4" long by 5/8" dia.

GE by RBC

MARATHON



The largest selection of motors, components and accessories for the HVAC/R Industry

M-65

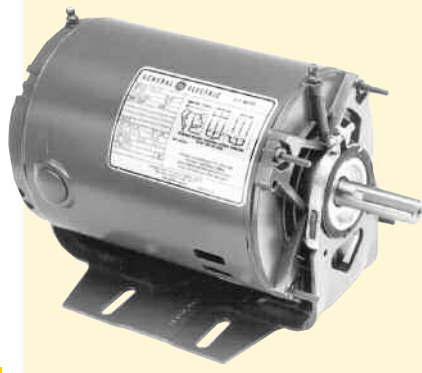
Fan & Blower Motors - Three Phase

5½ & 6½ inch dia. MARS SERIES 045



GE Commercial Motors

By Regal-Beloit

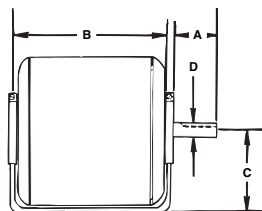


Three Phase, Dripproof Commercial Fan And Blower Motors

GE three phase commercial fan & blower motors are adaptable to a wide variety of applications. Ball bearings and NEMA service factors make these motors the best choice for tough jobs. Resilient base mounted, NEMA 56 frame. No thermal protection.

Applications:

- Specially designed for commercial fans, air handlers, ventilation fans, blowers and other belt-driven air-moving applications.



Features:

- Ball bearings
- Reversible rotation
- NEMA service factors
- Dual voltage 208-230/460

Specifications:

- No thermal protection
- Dripproof construction
- Resilient base mounted
- 60 Hertz, three phase

1725 RPM – 208-230/460 Volt – Reversible Rotation - 4 Pole

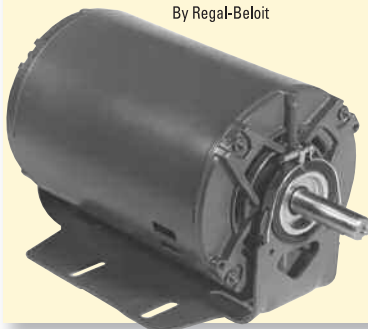
MARS NO.	GE NO. 5K	MARATHON NO.	HP	FLA 230/460V	SF	A	B	C	D	NEMA FRAME
04450*⊕	46KN4085	K277	3/4	3.0/1.5	1.25	1.88	8.82	3.5	5/8	56
04452*⊕	46MN4087	K278	1	3.8/1.9	1.25	1.88	9.42	3.5	5/8	56

* Limited quantities available, while supplies last.



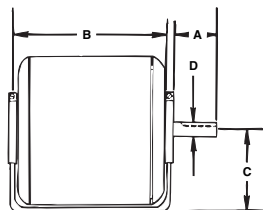
GE Commercial Motors

By Regal-Beloit



Three Phase, Dripproof Commercial Fan And Blower Motors

GE three phase commercial fan and blower motors are adaptable to a wide variety of applications. Ball bearings and automatic thermal overload protection coupled with NEMA service factors make these motors the right choice for tough jobs. Designed for commercial and industrial air handlers, exhaust fans and furnace fans.



Specifications:

- automatic thermal overload protection
- dripproof construction
- resilient base mounted
- 60Hz, three phase

Features:

- dual voltage
- direct and belt drive
- ball bearing
- reversible rotation
- NEMA service factors

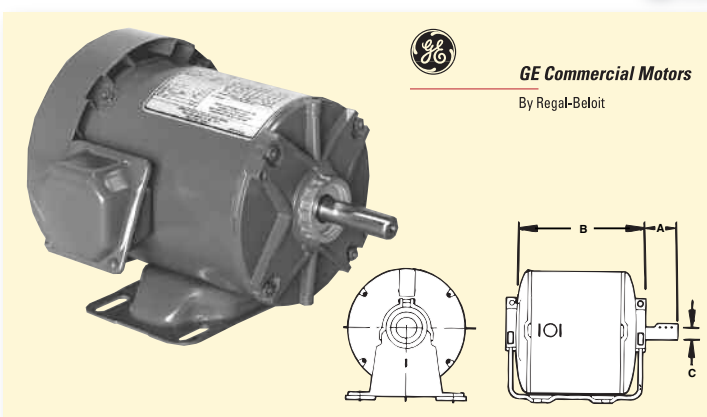
MARS NO.	GE NO.	MARATHON NO.	HP	FLA 208-230/460V	SF	A	B	C	D	NEMA FRAME
1725 RPM - 208-230/460 Volt - Reversible - 4 Pole										
04712⊕	5K42HN4089X	K1408	1/2	2.3-2.2/1.1	1.25	1.88	8.22	3.5	.62	56
04715⊕	5K46KN4085X	K1410	3/4	3.3-3.0/1.5	1.25	1.88	8.92	3.5	.62	56
04716⊕	5K46MN4087X	K1412	1	3.6-3.8/1.9	1.15	1.88	9.52	3.5	.62	56
04713⊕	5K49PN4088X	K1415	1 1/2	5.5-5.6/2.8	1.15	1.88	10.12	3.5	.62	56H
04717⊕	5KE49TN8384T	K2030	1 1/2	4.6-4.4/2.2	1.15	1.88	9.02	3.5	.88	145T
04714⊕	5K49UN4086X	K1418	2	6.2-6.0/3.0	1.15	1.88	12.12	3.5	.62	56H
04718⊕	5KE49UN8370T	K2040	2	6.2-5.8/2.9	1.15	1.88	12.42	3.5	.88	145T
3450 RPM - 208-230/460 Volt - Reversible - 2 Pole										
04724⊕	5K37MN252X	K1409	3/4	2.6-2.6/1.3	1.25	1.88	8.92	3.5	.62	56
04726⊕	5K38PN258X	K1411	1	3.3-3.2/1.6	1.25	1.88	9.52	3.5	.62	56
04727⊕	5K49KN2150X	K1413	1 1/2	5.0-4.8/2.4	1.15	1.88	9.52	3.5	.62	56H
04728⊕	5K49NN2147X	K1416	2	6.0/3.0	1.15	1.88	10.82	3.5	.62	56H
04729⊕	5KE49UN8376T	K2037	3	8.9-8.2/4.1	1.15	1.88	12.92	3.5	.88	145T
04740 ⁽¹⁾ ⊕	5KE49QN8375T	K2038	5	13.0/6.5	1.00	2.25	13.15	3.5	.88	145T

(1) 230/460V

⊕ Upon depletion of stock on this item, the referenced Marathon item will be substituted.

General Purpose - Three Phase

5½ & 6½ inch dia. MARS SERIES 045



GE Commercial Motors
By Regal-Beloit

Three Phase, Totally Enclosed, Fan Cooled General Purpose Motors

GE three phase totally enclosed fan cooled general purpose motors for those applications requiring moderate to high starting capabilities in dusty or dirty atmospheric areas.

Features:

- Base mounted
- NEMA service factors
- Ball bearings

Specifications:

- Totally enclosed fan cooled
- No thermal protection
- Motors rated 1800 RPM - 230/460V are usable on 200 volts at 1.0 SF and on 200/400V, 50Hz at 1.0 SF

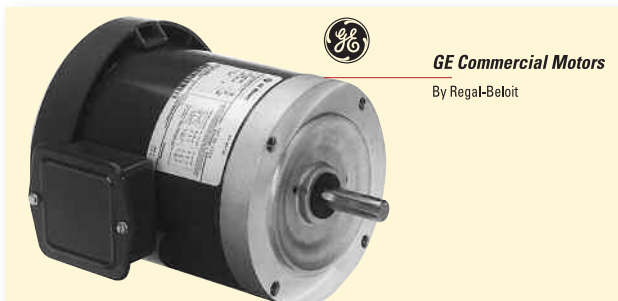
1140 RPM - 230/460 Volt - Rigid Base - 6 Pole

MARS NO.	GE NO.	MARATHON NO.	HP	FLA 230/460V	SF	DIMENSIONS			NEMA FRAME
						A	B	C	
04900	5K35MN75	K321	1/4	1.4/0.7	1.00	1.88	9.05	.62	56
04771	5K36PN30	K155	1/3	1.8/0.9	1.00	1.88	9.52	.62	56
04748 ⁽¹⁾	5K49MN6079	K159	1/2	2.6/1.3	1.00	1.88	9.55	.62	56
04751	5K46PN6082	K162	3/4	2.9-2.8/1.4	1.00	1.88	9.95	.62	56
04709	5K49UN6085	K165	1	3.6/1.8	1.00	1.88	11.19	.62	56H

(1)designed for 56H or 145T mounting

1725 RPM - 208-230/460 Volt - Rigid Base - 4 Pole

MARS NO.	GE NO.	MARATHON NO.	HP	FLA 230/460V	SF	DIMENSIONS			NEMA FRAME
						A	B	C	
04902	5K49FN4136	K154	1/3	1.5-1.6/0.8	1.0	1.88	8.85	.62	56
04702	5K35MNB117	K158	1/2	1.8-1.8/0.9	1.0	1.88	9.02	.62	56
04703	5K36PNB111	K161	3/4	2.8-2.8/1.4	1.0	1.88	9.52	.62	56
04704	5K49MN4105	K164	1	3.6-3.8/1.9	1.0	1.88	9.72	.62	56
04705	5K49SN4118	K167	1 1/2	4.7-4.4/2.2	1.0	1.88	10.22	.62	56H



GE Commercial Motors
By Regal-Beloit

General Purpose 56C Frame Motors

GE general purpose 56C frame motors are designed for use on commercial and industrial pumps, centrifugal and hydraulic pumps, machine tools and other equipment requiring NEMA C-face mounting in dirty or dusty areas.

Features:

- Ball bearings
- Reverse rotation
- No overload protection
- NEMA C-face mounting

Specifications:

- Three phase
- Totally enclosed fan cooled
- End mounted

208-230/260 volts - 4 pole

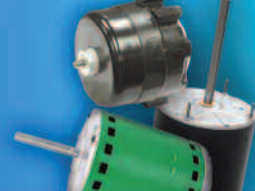
NOTE: NB = No base provided WB = Welded base

MARS NO.	GE NO. 5KH	MARATHON NO.	HP	RPM	SF	BASE	AMPS	SHAFT LENGTH	SHAFT DIA.
04910	49DN4130	K252	1/4	1725	1.00	NB	1.2	2"	5/8
04912	33JNA943	K253	1/3	1725	1.00	NB	1.6	2"	5/8
04911	42FN4035	K1322	1/3	1725	1.35	WB	1.6	2"	5/8
04914	35MNB114	K254	1/2	1725	1.25	NB	2.2	2"	5/8
04913	42HN4034	K1324	1/2	1725	1.25	WB	2.2	2"	5/8
04916	36PNB116	K255	3/4	1725	1.25	NB	2.8	2"	5/8
04915	49KN4124	K258	3/4	1725	1.25	WB	3.0	2"	5/8
04918	49MN4104	K256	1	1725	1.25	NB	3.8	2"	5/8
04917	49MN4110	K259	1	1725	1.25	WB	3.8	2"	5/8
04720	49SN4117	K257	1-1/2	1725	1.00	NB	4.4	2"	5/8
04919	49SN4119	K260	1-1/2	1725	1.00	WB	4.4	2"	5/8

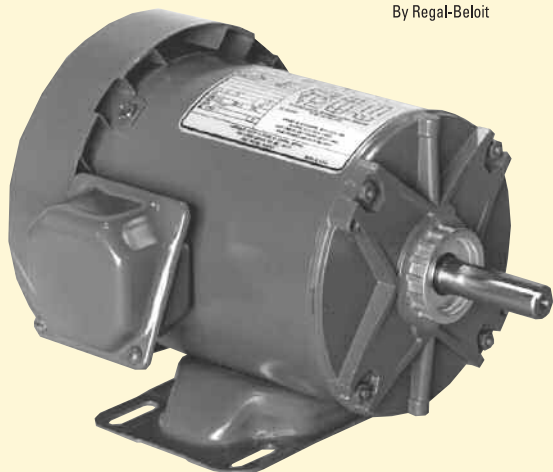
Upon depletion of stock on this item, the referenced Marathon item will be substituted.

General Purpose - Three Phase

5½ & 6½ inch dia. MARS SERIES 045



GE Commercial Motors
By Regal-Beloit



Three Phase, Totally Enclosed, Fan Cooled General Purpose Motors

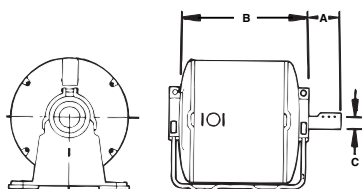
GE three phase totally enclosed fan cooled general purpose motors for those applications requiring moderate to high starting capabilities in dusty or dirty atmospheric areas.

Features:

- Base mounted
- NEMA service factors
- Ball bearings

Specifications:

- Totally enclosed fan cooled
- No thermal protection
- Motors rated 1800 RPM - 230/460V are usable on 200 volts at 1.0 SF and on 200/400V, 50Hz at 1.0 SF



1800 RPM - 230/460 Volt - Rigid Base - 4 Pole

MARS NO.	GE NO.	HP	FLA 230/460V	SF	DIMENSIONS			NEMA FRAME
					A	B	C	
04978 ⁽¹⁾	5KE143BC205	1	2.9/1.45	1.15	2.25	9.80	.88	143T
04979 ⁽¹⁾	5KE145BC202	1.5	4.1/2.05	1.15	2.25	10.80	.88	145T
04980 ⁽¹⁾	5KE145BC205	2	5.5/2.75	1.15	2.25	10.80	.88	145T
04981 ⁽¹⁾	5KE182BC205	3	7.6/3.8	1.15	2.75	11.65	1.12	182T
04833*	5K182BD205	3	12.4/6.2	1.15	1.88	12.95	1.12	182T
04835	5KE184BC205	5	13.0/6.5	1.15	1.88	12.95	1.12	184T
04984 ⁽¹⁾⁽²⁾	5KE215BC205	10	23.81/11.9	1.15	3.38	15.87	1.38	215T
04985 ⁽¹⁾⁽²⁾	5KE254BC205	15	34.8/17.4	1.15	4.00	19.08	1.62	254T

(1) cast iron (2) y-start / ▲Run capable

* Limited quantities available, while supplies last.

3450 RPM - 208-230 Volt - Rigid Base - 2 Pole

MARS NO.	GE NO.	MARATHON NO.	HP	FLA 230/460V	SF	DIMENSIONS			NEMA FRAME
						A	B	C	
04840⊕	5K33FN30	K153	1/3	1.5-1.8/0.9	1.00	1.15	8.70	.50	48
04906⊕	5K37NN30	K160	3/4	2.6-2.5/1.3	1.00	1.88	9.88	.62	56
04841⊕	5K38RN30	K163	1	3.2-3.0/1.5	1.00	1.88	10.48	.62	56
04749⊕	5K46KN2175	K166	1-1/2	5.0-4.8/2.4	1.15	1.88	9.95	.62	56

⊕ Upon depletion of stock on this item, the referenced Marathon item will be substituted.

GE by RBC

MARATHON

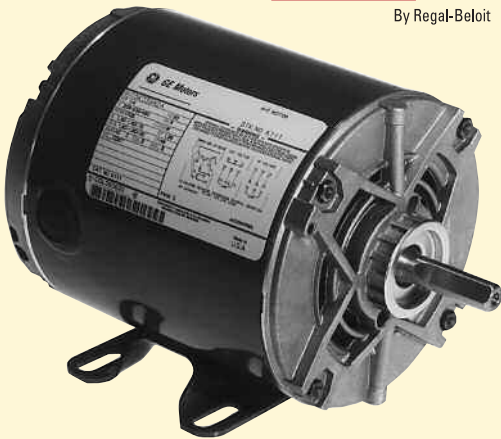
General Purpose - Three Phase

6½ inch dia. MARS SERIES 045



GE Commercial Motors

By Regal-Beloit



Three Phase General Purpose Dripproof, Rigid Base Mount Motors

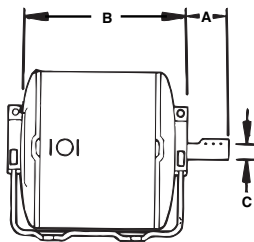
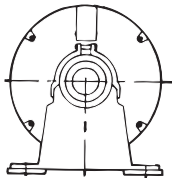
GE general purpose three phase motors are suitable for a variety of applications including commercial refrigeration compressors, water pumps, air compressors, and other hard starting applications requiring three phase general purpose motors. No thermal protection.

Features:

- Ball bearings
- Dual voltage 208/230/460
- NEMA service factors

Specifications:

- Rigid base mounted
- 60 Hertz, three phase
- Motors rated at 200-230/460 volts with 1.15 S.F. are useable at 200 volts at 1.0 service factor



1725 RPM – 208-230/460 Volt - Reversible Rotation - 4 Pole

MARS NO.	GE NO. 5K	MARATHON NO.	HP	FLA 208/230/460V	SF	DIMENSIONS			NEMA FRAME
						A	B	C	
04470	33GN2	MK111	1/4	1.3-1.4/0.7	1.35	1.50	7.37	.50	48
04770	35JN198	K527	1/3	1.5-1.6/0.8	1.35	1.50	7.75	.50	48
04797	42HN4731	K116	1/2	2.3-2.2/1.1	1.25	1.88	8.17	.62	56
04789	46KN4729	K119	3/4	3.3/3.0/1.5	1.25	1.88	9.02	.62	56
04796	46MN4730	K122	1	3.6/3.8/1.9	1.25	1.88	9.02	.62	56
04814	E49TN8359A	K2006	1-1/2	4.6-4.4/2.2	1.15	2.25	9.45	.88	145T
04723	49PN4728	K125	1-1/2	5.8/5.6/2.8	1.15	1.88	9.50	.62	56H
04827 ^{(1)*}	182AB205	-	3	8.6/4.3	1.15	2.75	10.90	1.12	182T
04975 ⁽²⁾⁽³⁾⁽⁴⁾	E184AC205B	-	5	12.6/6.3	1.15	2.75	11.05	1.12	184T
04976 ⁽²⁾⁽³⁾⁽⁴⁾⁽⁵⁾⁽⁶⁾	E213AC205B	-	7.5	18.6/9.3	1.15	3.38	12.30	1.38	213T

(1) 1800 rpm - 200/230/460V (2) 1800rpm-230/460V (3) cast iron (4) usable on 200 volts @1.0 SF (5) usable on 200/400V, 50Hz @ 1.0 SF (6) Y-Start / ▲Run capable

* Limited quantities available, while supplies last.

3450 RPM – 230/460 Volt - Reversible Rotation - 2 Pole

MARS NO.	GE NO. 5K	MARATHON NO.	HP	FLA 208/230/460V	SF	DIMENSIONS			NEMA FRAME
						A	B	C	
04462	38PN2	K121	1	3.3/3.2/1.6	1.25	1.88	9.42	.62	56
04466	49NN2183	K126	2	6.0/3.0	1.15	1.88	10.82	.62	56

⊕ Upon depletion of stock on this item, the referenced Marathon item will be substituted.

■ Please note MARS has added an "M" to the front of this item.

GE by RBC

MARATHON

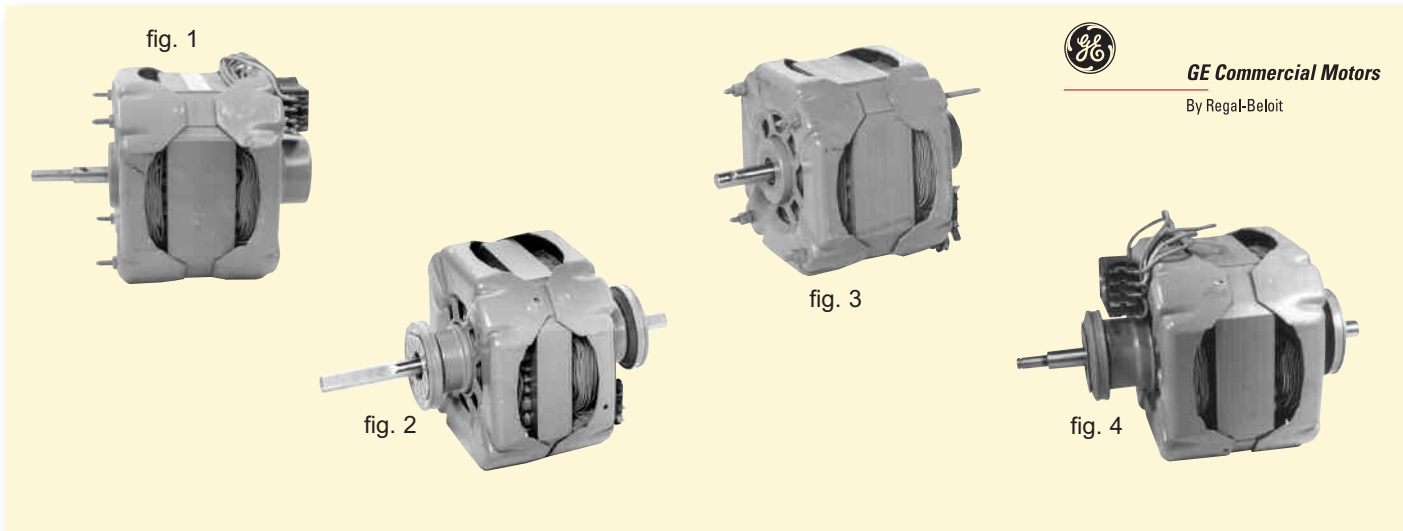


The largest selection of motors, components and accessories for the HVAC/R Industry

M-69

Appliance Motors

MARS SERIES 040



GE by RBC

Appliance Motors

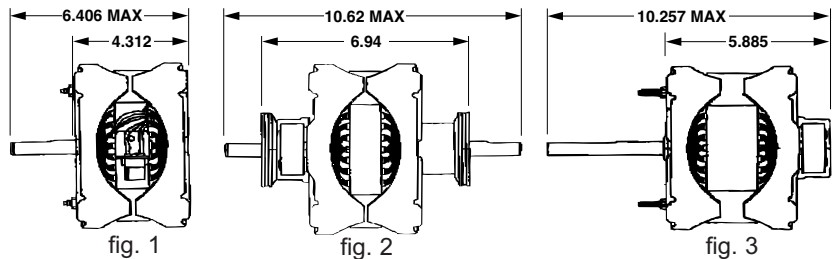
These GE appliance motors are designed for replacement of motors formerly built and supplied in Canada.

Features:

- Reversible rotation

Specifications:

- Thermally protected
- 60 Hertz
- CSA



Franklin

MARS NO.	GE NO. 5KH	HP	VOLTS	AMPS	RPM/SPEEDS	ROT OSE	REPLACES OEM PART NO.	APPLICATION	FIG. NO.
09007*	41LT25S	1/3	115	6.4	1725/1	REV	77171-2, 78115,E; 78394,E; 5KH41KT43S	auto washer	1

Frigidaire

MARS NO.	GE NO. 5KH	HP	VOLTS	AMPS	RPM/SPEEDS	ROT OSE	REPLACES OEM PART NO.	APPLICATION	FIG. NO.
04214*	46CT105S	1/4	115	5.4	1725/1	CW	5KH46CT44S, 44AS, 100S, 9957037	dryer	2

Norge-Montgomery Ward

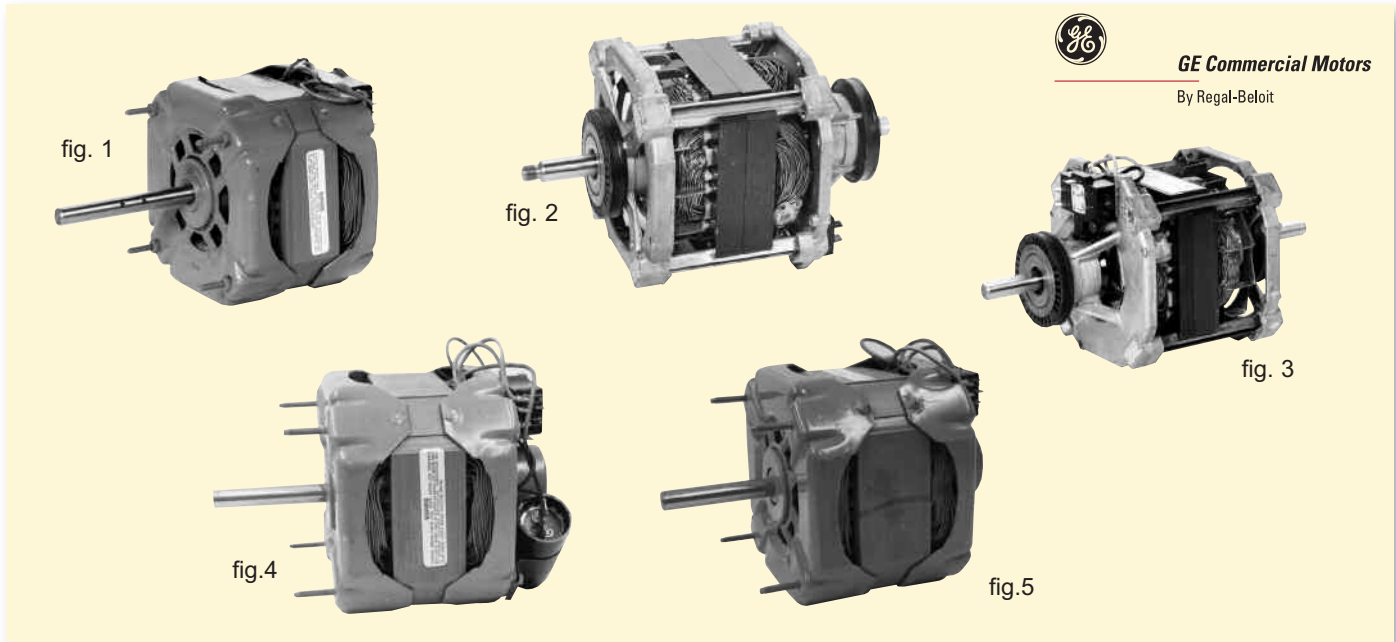
MARS NO.	GE NO.	HP	VOLTS	AMPS	RPM/SPEEDS	ROT OSE	REPLACES OEM PART NO.	APPLICATION	FIG. NO.
04007*	5KH41LT15S	3/4	115	8.5	1725/2	REV	33-6122, 33-6885, 33-6986, 33-7034, 33-7323, 33-7324	2-speed washer	3
04017*	5KC40HT15S	1/2	115	7.4	1725/1	REV	63-2605, 63-3832, 63-4143, 63-4162, 63-4198, 63-4204, 63-4466, 63-4657, 63-4659	dryer	4

* Limited quantities available, while supplies last.



Appliance Motors

MARS SERIES **040**



Appliance Motors

These GE appliance motors are designed for replacement of motors formerly built and supplied in Canada.

Features:

- Reversible rotation

Specifications:

- Thermally protected
- 60 Hertz
- CSA

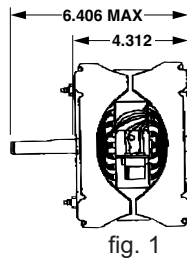


fig. 1

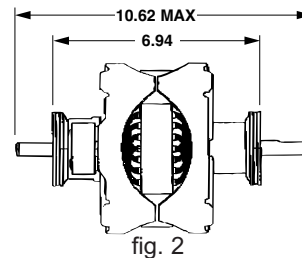


fig. 2

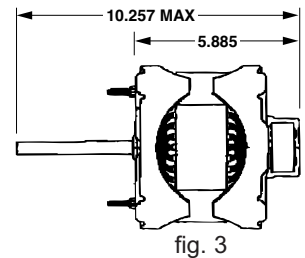


fig. 3

Speed Queen

MARS NO.	GE NO. 5KH	HP	VOLTS	AMPS	RPM/SPEEDS	ROT OSE	REPLACES OEM PART NO.	FIG. APPLICATION NO.
04105*	23JV10S	1/4	115	5.4	1725/1	CW	52697	dryer 1
04121*	41KT35S	1/2	115	8.7	1725/2	REV	24723, 26068, 26069,	2-speed washer 2
04213*	26JV24S	1/4	115	5.8	1725/1	CW	56075, 5KH26JV14S, 23S	dryer 3

Westinghouse

MARS NO.	GE NO.	HP	VOLTS	AMPS	RPM/SPEEDS	ROT OSE	REPLACES OEM PART NO.	FIG. APPLICATION NO.
09019*	5KC41MT6S	1/2	115	8.5	1725/2	REV	Q164671	2-speed washer 4

Whirlpool - Kenmore - Sears

MARS NO.	GE NO.	HP	VOLTS	AMPS	RPM/SPEEDS	ROT OSE	REPLACES OEM PART NO.	FIG. APPLICATION NO.
04021*	5KC41KT41S	1/2	115	8.7	1725/2	CCW	replaces 04061 & 04091 for low voltage conditions	2-speed washer 5

Speed Queen

MARS NO.	GE NO. 5KH	HP	VOLTS	AMPS	RPM/SPEEDS	ROT OSE	REPLACES OEM PART NO.	FIG. APPLICATION NO.
04004*	41KT100S	1/2	115	8.7/8.0	1725/1140 2 speed	REV	4J764DX - supplied with pulley	washer 2

* Limited quantities available, while supplies last.

GE by RBC

Appliance Motor Accessories

MARS SERIES **950**



fig. 1

Replacement Switch For GE Appliance Motors

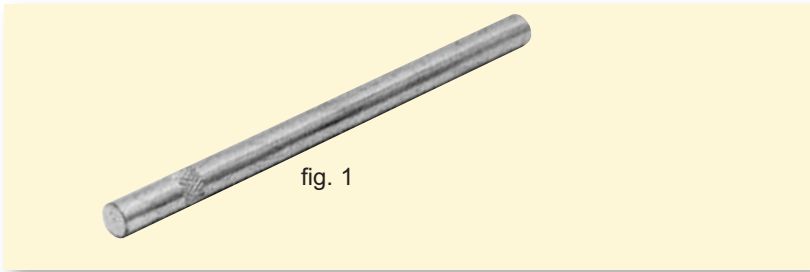
Replace worn and broken starting switches in GE form R, T, and V appliance motors. Connection instructions packed with each switch.

MARS NO.	GE NO.	REPLACES SWITCH NOS.	APPLICATION	FIG. NO.
08386	61A100102AJ	61A100102AA, AB, AC, AE, AF, AG, AH, AJ	form V dryer motors universal replacement for form T dryer	3

Cross Reference For Motor Switches By Motor Model Number

GE MOTOR MODEL NO.	MARS REPLACEMENT SWITCH NO	GE MOTOR MODEL NO.	MARS REPLACEMENT SWITCH NO	GE MOTOR MODEL NO.	MARS REPLACEMENT SWITCH NO	GE MOTOR MODEL NO.	MARS REPLACEMENT SWITCH NO
5KC40HT10S	08386	5KH44WT2S	08386	5KH45XT15S	08386	5KH46ET17S	08386
5KC40HT12S	08386	5KH44WT7S	08386	5KH45XT16S	08386	5KH46GT4S	08386
5KC40HT14S	08386	5KH44WT8S	08386	5KH46CT11S	08386	5KH46GT6S	08386
5KH40CT30S	08386	5KH44WT12S	08386	5KH46CT24S	08386		
5KH40CT40S	08386	5KH45BT10S	08386	5KH46CT25S	08386		
5KH40CT47S	08386	5KH45BT13S	08386	5KH46CT37S	08386		
5KH41AT19S	08386	5KH45CT19S	08386	5KH46CT46S	08386		
5KH41AT20S	08386	5KH45XT9AS	08386	5KH46DT44S	08386		
		5KH45XT10S	08386	5KH46ET12AS	08386		

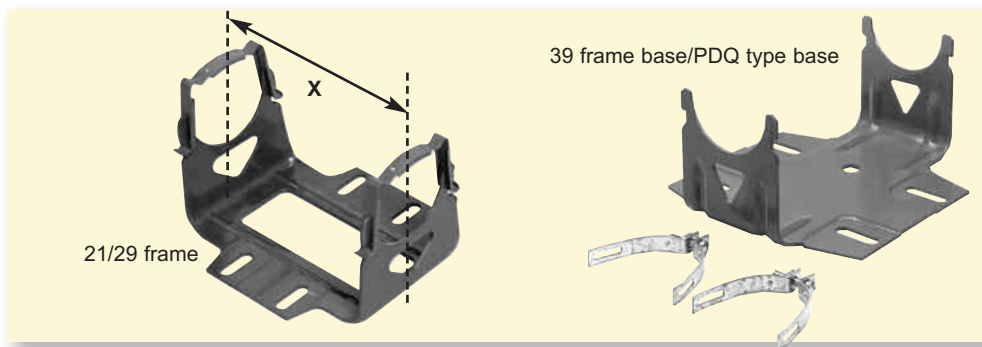
MOTOR ACCESSORIES



Shaft Adapters, Extensions, Couplings, And Bushings

MARS NO.	PAK QUAN.	DESCRIPTION	FIG. NO.
08113*	5 pieces	1/4 in. x 3 in. shaft extension with flat	1
08115*	5 pieces	5/16 in. x 3 in. shaft extension with flat	1

* Limited quantities available, while supplies last.



Motor Mounting Bases

Designed for use with GE motors. Bases include clips.

Mounting Bases

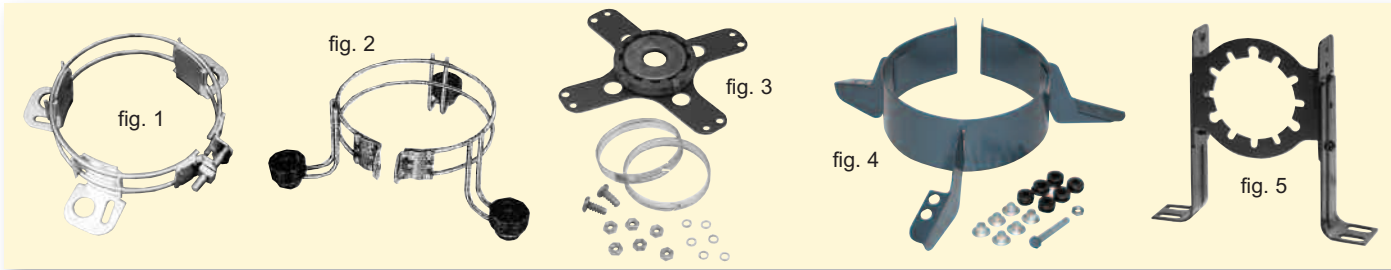
MARS NO.	FOR USE ON	GE NO.	SHAFT HEIGHT	X DIMENSION
08076	21/29 frame motors on page M-36	901AA6	2 ⁵ / ₈	6.44/6.32
08077	21/29 frame motors on page M-36	901AA7	2 ⁵ / ₈	6.72/6.55
08052	39 frame motors	920AB2	3 ¹ / ₂	3.98/4.14
08053	39 frame motors	920AB3	3 ¹ / ₂	4.23/4.39
08054	39 frame motors	920AB4	3 ¹ / ₂	4.48/4.64
08055	39 frame motors	920AB5	3 ¹ / ₂	4.73/4.89
08056	39 frame motors	920AB6	3 ¹ / ₂	4.98/5.14
08057	39 frame motors	920AB7	3 ¹ / ₂	5.23/5.39
08058	39 frame motors	920AB8	3 ¹ / ₂	5.48/5.64
08059	39 frame motors	920AB9	3 ¹ / ₂	6.48/6.64
08060	39 frame motors	920AB10	3 ¹ / ₂	5.98/6.14
08062	PDQ motors - 48 frame	161L113AA2	3	—

Mounting Accessories

MARS NO.	USED ON	DESCRIPTION	PAK QUAN.
08099	51 frame cast iron motors	vibration dampener	24 pieces
08092	11 frame motors	clips for 11 frame motor bases	10 pieces
08096	39 frame	clips for 39 frame motor bases	10 pieces
08103	21/29 and 39 frame motors	2 ¹ / ₂ in. unbonded resilient ring	10 pieces
08031	21/29 and 39 frame motors	split rings to convert 2 ¹ / ₄ in. to 2 ¹ / ₂ in. rings	20 pieces
08105	21/29 and 39 frame motors	2 ¹ / ₄ in. bonded resilient ring	20 pieces

Accessories

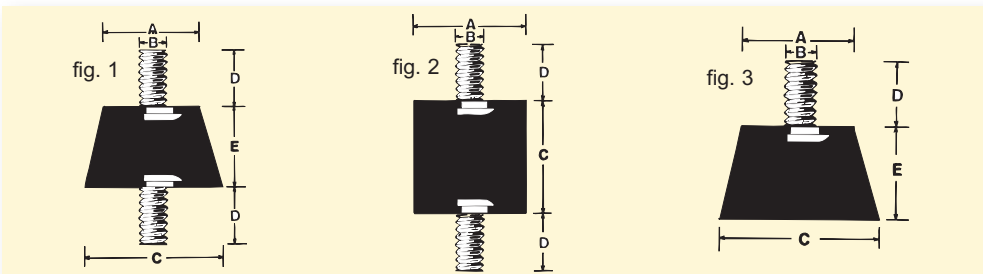
MARS SERIES **950**



Mounting Brackets

MARS NO.	USED ON	DESCRIPTION	FIG. NO.
08020	39 frame and 5 1/2 in. diam. motors	adj. lug mounting bracket fits triangular bolt patterns of 6 1/8 in. to 6 9/16 in. bolt to bolt (1/4 in. x 7/8 in. and 3/4 in. x 1 3/8 in. knockouts)	1
08021	5 1/2 in. fixed motor mtg. bracket with grommets	for mounting blower motor with large wheel opening	2
08024	5 in. fixed motor mtg. bracket with grommets	fits any 5" dia. motor	2
08095	39 frame and 5 1/2 in. diam. motors	mounting adapter kit for base mounting 5 1/2 in. diameter motors with flat end shields	3
08049	29 and 39 frame motors, 5 in. motors	Torsion-Flex mounting adapter kit for 9 in. and 10 in. blowers	4
08050	48 frame, 5 5/8 in. and 5 1/2 in. diam. motors	Torsion-Flex mounting adapter kit for 9 in. and 10 in. blowers	4
08004	51 frame motors	shaft height adjustable 4 1/8 in. to 5 3/8 in.	5

MOTOR ACCESSORIES



Vibration Insulators

MARS NO.	MFR. NO.	DIMENSIONS					THD.	MAX. LOAD IN POUNDS		FIG. NO.
		A	B	C	D	E		COMPRESSION	SHEAR	
07801	K30	1 3/16	5/16	1 5/8	5/8	1 1/2	18	60	—	1
07802	K33	1 3/8	5/16	1 5/8	5/8	1.0	18	100	—	1
07804	K44	1.0	5/16	1.0	5/8	—	18	40	10	2
07805	K47	1.0	1/4	3/4	1/2	—	20	50	10	2
07807	K133	1 3/8	5/16	1 5/8	5/8	1.0	18	100	—	3



Plastic Rain Shields

MARS NO.	DESCRIPTION	MARS PACK
93581	6 3/4 in. diameter for motors with 1/2 in. diameter shaft	1 piece
93582	6 3/4 in. diameter for motors with 5/8 in. diameter shaft	1 piece



08552

08553



ECM Protectors

Saves Equipment

ECM protectors plug into existing motor connectors or plugs. They help to protect these valuable motors from voltage spikes, surges, and transients that often damage them.

Fast Installation

These protectors simply plug in between the motor connector and the existing wiring harness.

A ground strap with a ring terminal is provided for additional protection.

Protect Your Investment

The most common cause of ECM motor failure is damage to the electronics module as a result of poorly conditioned incoming power.

MARS NO.	USED ON	MARS PACK
08552	GE X-13 ECM	1
08553	OEM ECM Applications	1



OCPD*

ECM Repair Kit

Repairs many ECM motor modules that have been damaged by voltage problems and power surges

- Full instructions included in kit
- Kit includes **OCPD** device and helpful circuit board releaser tool
- Using the kit requires a soldering gun or iron and rosin core solder

ECM's have ***Over Current Protection Devices** that are designed to keep excessive power from damaging other system components. Frequently, only this part needs replacement to restore an expensive ECM to an operation condition.

Not every ECM module can be repaired. Because of this, the repair kit is not guaranteed to fix every motor-but because of the motor's high cost vs. the repair kit's low cost- it's often worth the effort.

MARS NO.	DESCRIPTION	MARS PACK
08551	ECM Repair Kit	1

Variable Speed Zebra



Complete diagnostics for systems where an ECM motor is not working properly

Uses simple-to-operate microprocessor controlled tests to:

- accurately diagnose exactly which component has failed in a variable speed system that is not working correctly
- assist in system setup by reporting CFM airflow and motor RPM as room vents and other controls are adjusted
- allows easy adjustment of all available settings and options on ECM blower motors to obtain maximum customer comfort

MARS NO.	DESCRIPTION	MARS PACK
08550	ECM Diagnostic System	1

Universal Zebra

A tool designed to troubleshoot every ECM motor in HVAC/R systems!

- Three 3-position switches test up to 6 speeds
- LED's indicate power and signals being sent
- Rugged case protects your tools & leads

Adapters for Universal Zebra

- Adapters quickly plug into motor and Universal Zebra
- Magnetic reference cards show what each switch does & what each LED means for that motor



MARS NO.	DESCRIPTION	MARS PACK
08554	ECM Diagnostic System	1

MARS

- 08555 Adapter "A" – for GE 2.0 & 2.3 ECM's
- 08556 Adapter "B" – for Genteq 3.0 ECM's
- 08557 Adapter "C" – for X-13 & X-mtr ECM's
- 08558 Adapter "E" – for ECM 142 & Signal Select ECM's

- 08559 Adapter "F" – for Evergreen IM
- 08560 24" Main Harness for Universal Zebra

(Extension or Replacement)

