

SpectrAlert Advance Color Lenses

For use with the following models: LENS-B, LENS-R, LENS-G, LENS-A, LENS-BC, LENS-RC, LENS-GC, LENS-AC



GENERAL DESCRIPTION

SpectrAlert Advance color lenses come in four colors options including amber, blue, green and red. The lenses are compatible with SpectrAlert Advance strobes including wall or ceiling mount and indoor or outdoor rated. Note that color lenses must only be used with the non-fire printed devices (-P plain models). Color lens strobes are UL Listed under 1638 (Visual Signaling Appliances) for Private Mode General Utility Signaling. UL 1638 measures light output of strobe devices on-axis (straight on). See table below for ratings. **WARNING:** Not to be used as a Visual Public Mode Alarm Notification Appliance.

Candela (Cd) Switch Setting	On-Axis Cd Rating (UL 1638)-All colors
15	15
15/75*	N/A
30	30
75	75
95	95
110	110
115	115
135	135
150	150
177	177
185	185

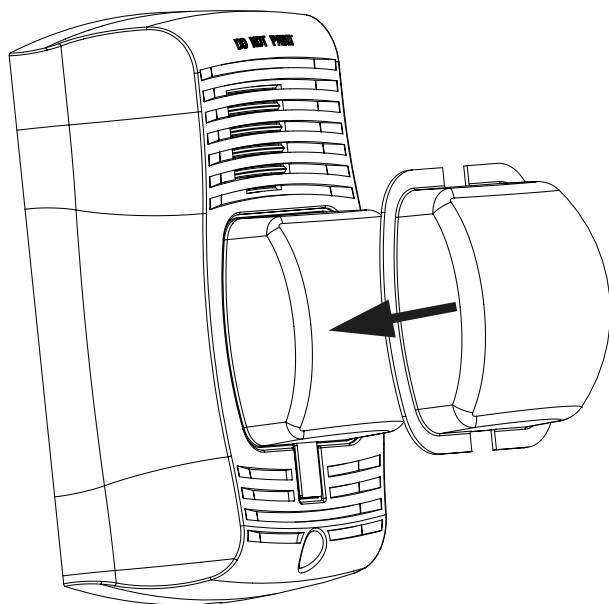
* The 15/75 candela setting is not to be used with the color lens attachment.

INSTALLATION

For SpectrAlert Advance models, please follow the instructions below for installing colored lenses.

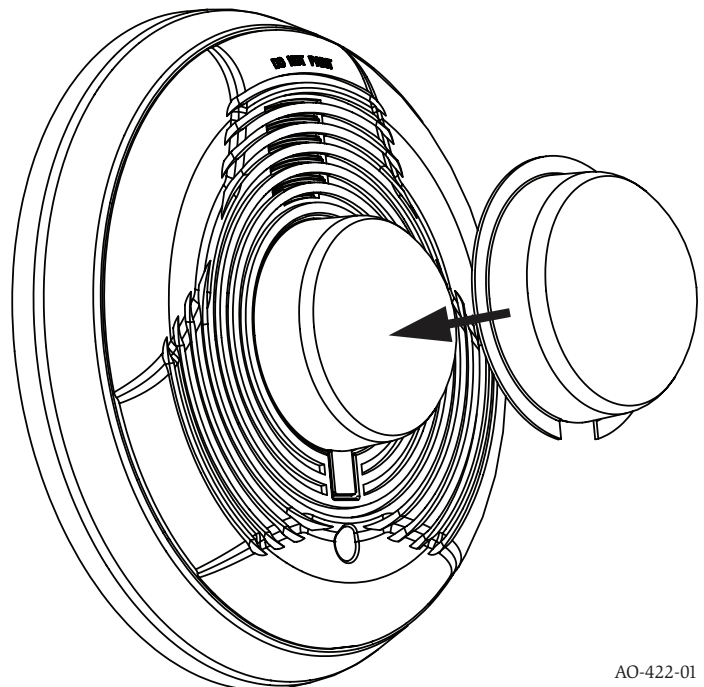
1. Before applying the color lens to the strobe, clean the area around the strobe lens.
2. Remove the red liner from the back of the color lens gently. Make sure that the clear adhesive is still attached to the bottom flat surface of the lens.
3. Align the slot on the color lens with the candela indicator window on the unit. This is a mistake-proof step only on the wall units.
4. Apply and press the lens against the unit.

**FIGURE 1. COLOR LENS
 INSTALLATION TO WALL MOUNT STROBE**



AO-421-01

**FIGURE 2. COLOR LENS
 INSTALLATION TO CEILING MOUNT STROBE**



AO-422-01