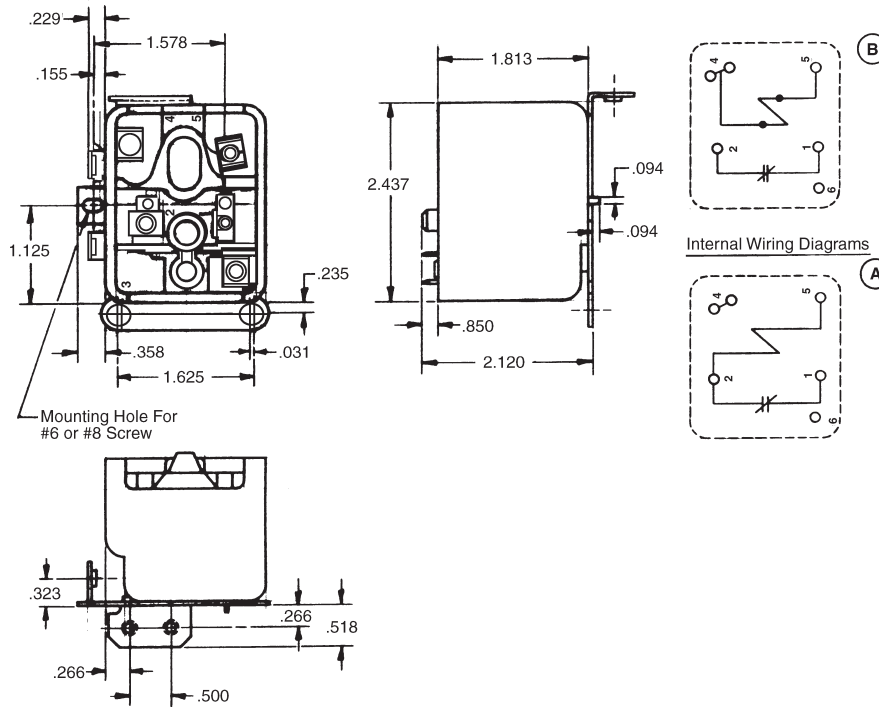


<b>RELAYS AND TRANSFORMERS</b>		
Model(s)	Description	Page(s)
90-63 / 90-123 thru 90-125	Outline Drawings.....	290
90-160 thru 90-172 / 90-244 thru 90-249	Outline Drawings.....	291
90-340 thru 90-342	Outline Drawings.....	292

**RELAY  
OUTLINE DRAWINGS**

**90-63**



**90-123 thru 90-125**

