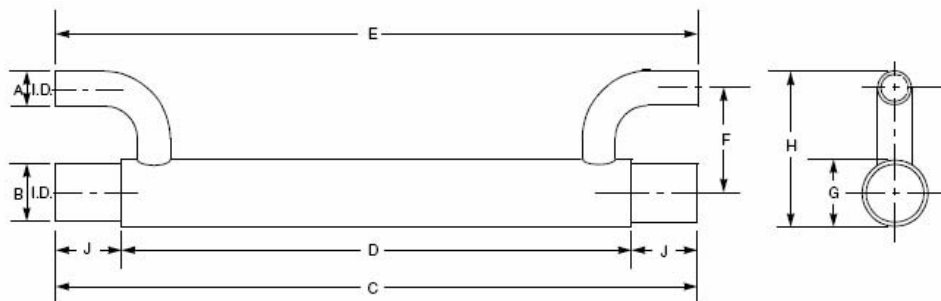


PACKLESS

REFRIGERANT HEAT EXCHANGERS

“HXR & LHXR” SERIES

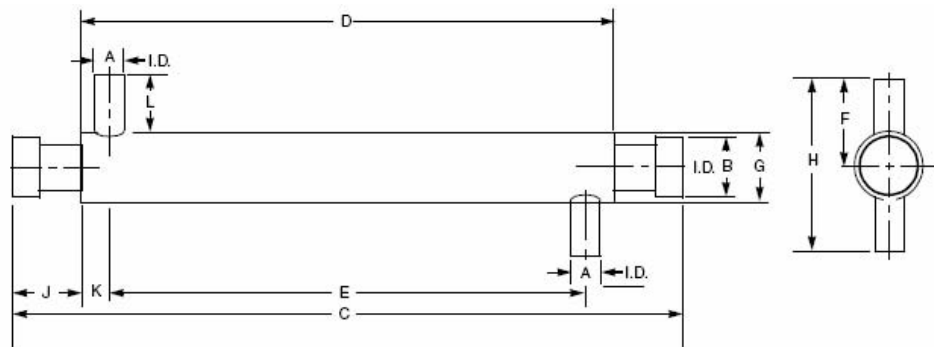
“HXR” SERIES



PART NO	DIMENSIONS (in)								
	A	B	C	D	E	F	G	H	J
PAC-HXR-25	1/4	1/2	11-1/2	10	10-1/4	1-3/16	7/8	1-3/4	3/4
PAC-HXR-50	3/8	5/8	12-3/4	11	13	1-5/8	7/8	2-5/16	7/8
PAC-HXR-75	3/8	7/8	13-5/8	11	13	1-3/4	1-1/8	2-9/16	1-5/16
PAC-HXR-100	3/8	1-1/8	14-1/8	11	12-3/4	1-7/8	1-3/8	2-13/16	1-9/16
PAC-HXR-150	1/2	1-1/8	14-1/8	11	13-3/4	2	1-3/8	3	1-9/16
PAC-HXR-250	5/8	1-3/8	14-1/4	11	14-1/4	2-3/8	1-5/8	3-9/16	1-5/8
PAC-HXR-350	5/8	1-5/8	16-1/4	12	15-1/4	2-3/8	1-5/8	3-9/16	2-1/8
PAC-HXR-500	7/8	2-1/8	17-1/4	12	13	2-15/16	2-5/8	4-5/8	2-5/8

Material Specifications: Shell - Copper; Inner Tube - Red Brass;
Refrigerant Connections - Copper; Paint Color - Copper.

“LHXR” SERIES



PART NO	DIMENSIONS (in)										
	A	B	C	D	E	F	G	H	J	K	L
PAC-LHXR-15	7/8	2-1/8	29-1/2	24	21-3/8	3-7/16	2-7/8	6-7/8	2-3/4	1-5/16	2
PAC-LHXR-20	1-1/8	2-1/8	29-1/2	24	21-3/8	3-7/16	2-7/8	6-7/8	2-3/4	1-5/16	2
PAC-LHXR-25	1-1/8	2-5/8	38	32-1/2	29-3/4	3-3/4	3-1/2	7-1/2	2-3/4	1-3/8	2
PAC-LHXR-30	1-3/8	2-5/8	38	32-1/2	29-3/4	4	3-1/2	8	2-3/4	1-3/8	2-1/4
PAC-LHXR-35	1-3/8	2-5/8	40-1/8	34-5/8	31-7/8	4	3-1/2	8	2-3/4	1-3/8	2-1/4
PAC-LHXR-40	1-3/8	3-1/8	31-3/4	26-1/4	22-3/4	4-3/8	4-1/2	8-3/4	2-3/4	1-3/4	2-1/4
PAC-LHXR-50	1-5/8	3-1/8	31-3/4	26-1/4	22-3/4	4-5/8	4-1/2	9-1/4	2-3/4	1-3/4	2-1/2
PAC-LHXR-60	1-5/8	4-1/8	38-5/8	32-5/8	29-1/8	4-3/4	4-1/2	9-1/2	3	1-3/4	2-1/2
PAC-LHXR-80	2-1/8	4-1/8	40-7/8	34-7/8	31-3/8	5-1/4	4-1/2	10-1/2	3	1-3/4	3

Material Specifications: Shell - Steel; Inner Tube - Stainless Steel;
Refrigerant Connections - Copper; Paint Color - Black.

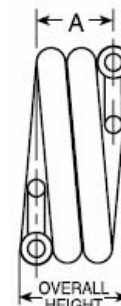
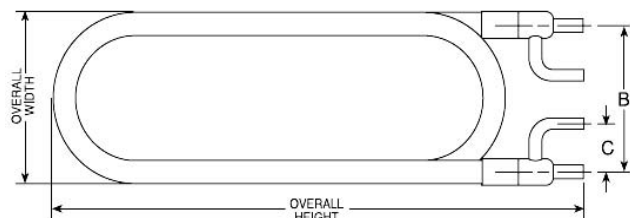
PACKLESS

PACKLESS

REFRIGERANT HEAT EXCHANGERS

TROMBONE SERIES

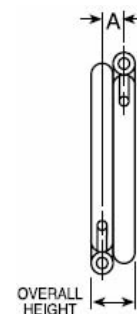
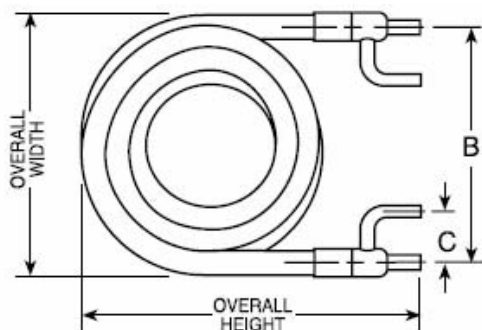
COAX SERIES DIMENSIONAL DATA



P4612

PART NO	REFRIGERANT CONNECTION IN/OUT (ID)	WATER CONNECTION IN/OUT (OD)	OVERALL DIMENSIONS (in)			DIMENSIONS (in)		
			Length	Height	Width	A	B	C
PAC-COAX-2050-T	3/8	1/2	14-1/2	1-7/8	6	7/8	5	1-5/8
PAC-COAX-2075-T	3/8	1/2	18-5/16	1-7/8	7	7/8	6	1-5/8
PAC-COAX-2100-T	3/8	1/2	22-9/16	1-7/8	7	7/8	6	1-5/8
PAC-COAX-2150-T	3/8	5/8	19-3/4	3-1/8	6-1/8	2	5	2
PAC-COAX-2200-T	3/8	5/8	22-9/16	3-1/8	7-1/8	2	6	2
PAC-COAX-2250-T	1/2	3/4	24-1/2	3-1/2	8-3/8	2-1/4	7-1/8	1-7/8
PAC-COAX-2300-T	5/8	7/8	25	3-7/8	8-5/8	2-1/2	7-1/4	2-1/8
PAC-COAX-2350-T	5/8	7/8	25	4-15/16	10-3/8	3-7/16	8-7/8	2-3/16
PAC-COAX-2400-T	5/8	7/8	28-5/8	4-15/16	10-3/8	3-7/16	8-7/8	2-3/16
PAC-COAX-2500-T	5/8	7/8	31-3/16	5-3/8	11-5/8	3-3/4	10	2-1/4
PAC-COAX-2600-T	3/4	1-1/8	27-1/16	7-7/16	11-3/4	5-11/16	10	2-5/16
PAC-COAX-2750-T	3/4	1-1/8	32-3/16	8	11-7/8	6-1/8	10	2-3/8

SPIRAL SERIES



P4613

PART NO	REFRIGERANT CONNECTION IN/OUT (ID)	WATER CONNECTION IN/OUT (OD)	OVERALL DIMENSIONS (in)			DIMENSIONS (in)		
			Length	Height	Width	A	B	C
PAC-COAX-2100-S	3/8	1/2	11-5/8	2-1/8	9-3/8	1	8-3/8	1-5/8
PAC-COAX-2150-S	3/8	5/8	13-7/8	2-3/8	11-3/8	1-1/8	10-1/4	2
PAC-COAX-2200-S	3/8	5/8	14-3/8	2-3/8	11-1/2	1-1/8	10-3/8	2
PAC-COAX-2250-S	1/2	3/4	16-7/16	2-11/16	13-1/4	1-1/4	11-15/16	1-7/8
PAC-COAX-2300-S	5/8	7/8	15-5/8	2-7/8	13-9/16	1-3/8	12-1/16	2-3/16
PAC-COAX-2350-S	5/8	7/8	16	3-3/16	14-7/16	1-1/2	12-7/8	2-3/16
PAC-COAX-2400-S	5/8	7/8	18-1/8	3-3/16	15-1/2	1-1/2	13-7/8	2-3/16
PAC-COAX-2500-S	5/8	7/8	19-5/8	3-3/8	17-3/16	1-5/8	15-1/2	2-1/4
PAC-COAX-2600-S	3/4	1-1/8	20-3/8	3-11/16	18-7/16	1-3/4	16-5/8	2-5/16
PAC-COAX-2750-S	3/4	1-1/8	22-1/2	3-7/8	21-1/8	1-7/8	19-1/4	2-3/8
PAC-COAX-3000-S*	1-1/8 O.D.	1-5/8	21-3/16	10-13/16	17-3/16	7-11/16	15-1/2	2-1/4

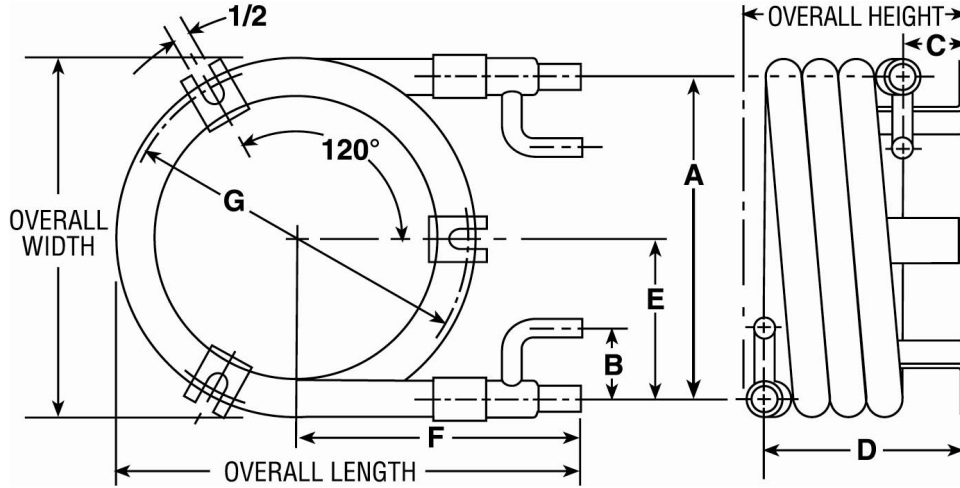
*Manifolded spiral coils; manifold connection dimensions shown. Refrigerant connection in/out for this model is O.D.

NOTE: Due to a continuous program of product improvement, specifications and dimensions are subject to change without notice.

PACKLESS

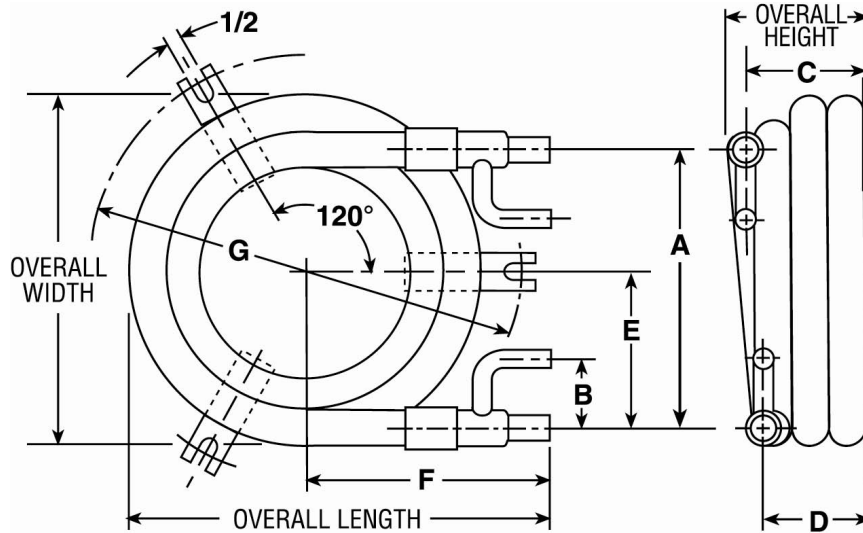
REFRIGERANT HEAT EXCHANGERS

HELIX WITH BRACKET



PART NO	NOM.TON	REFRIGERANT CONNECTION IN/OUT(I.D)	WATER CONNECTION IN/OUT(O.D)	OVERALL DIMENSIONS (in)									
				LENGTH	HEIGHT	WIDTH	A	B	C	D	E	F	G
PAC-COAX-2051-H	1/2	3/8	1/2	9-15/16	5-1/8	6-5/8	5-5/8	1-5/8	1-3/4	4-5/8	2-13/16	6-11/16	6-5/8
PAC-COAX-2076-H	3/4	3/8	1/2	9-15/16	6	6-5/8	5-5/8	1-5/8	1-3/4	5-1/2	2-13/16	6-11/16	6-5/8
PAC-COAX-2101-H	1	3/8	1/2	9-15/16	6-15/16	6-5/8	5-5/8	1-5/8	1-3/4	6-7/16	2-13/16	6-11/16	6-5/8
PAC-COAX-2151-H	1-1/2	3/8	1/2	13-5/16	6-7/16	10-3/16	9-1/16	2	1-3/4	5-7/8	4-1/2	8-1/4	10

DOUBLE WOUND HELIX WITH BRACKET



PART NO	NOM.TON	REFRIGERANT CONNECTION IN/OUT(I.D)	WATER CONNECTION IN/OUT(O.D)	OVERALL DIMENSIONS (in)									
				LENGTH	HEIGHT	WIDTH	A	B	C	D	E	F	G
PAC-COAX-2201-J	2	3/8	5/8	12-15/16	3-7/8	10-5/8	8-1/2	2	3-5/16	3-3/4	4-3/4	7-11/16	13-1/8
PAC-COAX-2251-J	2-1/2	1/2	3/4	12-7/16	5-1/8	10-3/8	8-1/16	1-7/8	4-7/16	3-3/8	4-9/16	7-5/16	12-1/2
PAC-COAX-2301-J	3	5/8	7/8	13-7/8	5-1/16	12-5/16	9-3/4	2-1/8	4-5/16	3-11/16	5-1/2	7-3/4	14-7/8
PAC-COAX-2351-J	3-1/2	5/8	7/8	14-1/4	6-1/8	12-3/8	9-3/4	2-1/8	5-3/8	3-7/8	5-1/2	8-1/8	14-7/8
PAC-COAX-2401-J	4	5/8	7/8	16-1/4	4-15/16	14-1/8	11-5/16	2-3/16	4-3/16	3-7/8	6-7/16	9-1/8	16-3/4
PAC-COAX-2501-J	5	3/4	1-1/8	17	6	15-3/8	12	2-5/16	5-1/6	4-3/4	6-13/16	9-3/8	18
PAC-COAX-2601-J	6	3/4	1-1/8	17-3/4	7-1/4	15-1/4	12	2-5/16	6-5/16	5-1/8	6-13/16	10-1/8	18
PAC-COAX-2751-J	7-1/2	3/4	1-1/8	18	7-3/8	17-1/2	14	2-3/8	6-1/2	5-1/4	7-7/8	9-1/4	19-3/4

PACKLESS