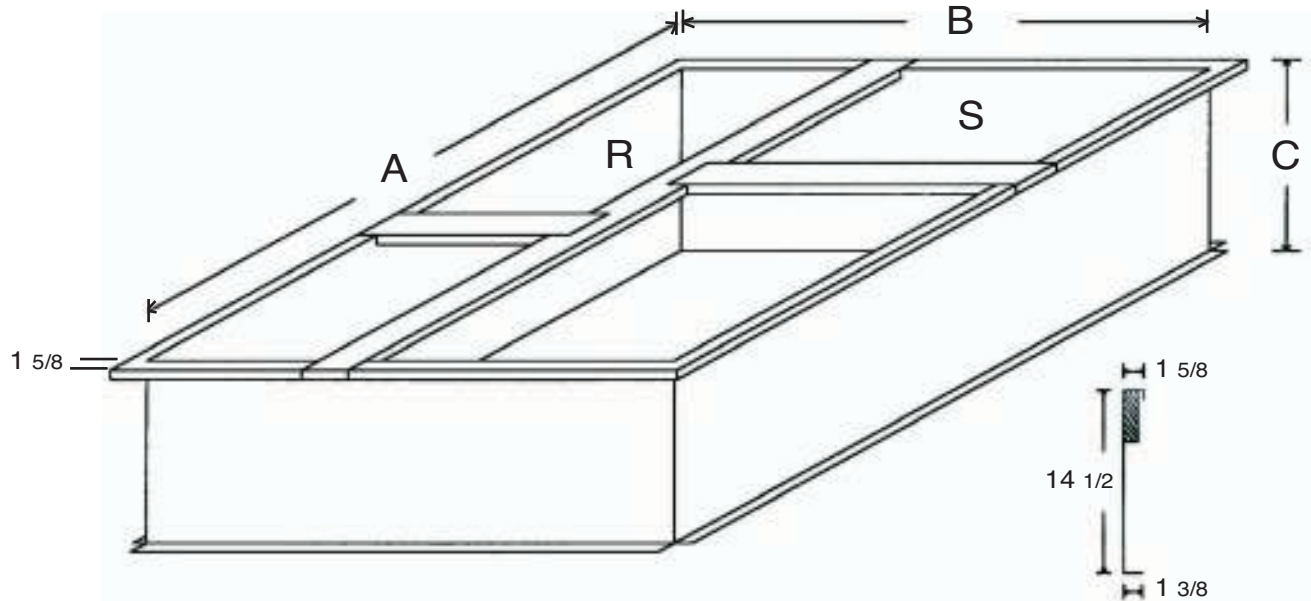


McDaniel Metals

281-987-8400 • 281-987-9494 (fax)
1318 Buschong, Houston, TX 77039
www.mcdanielmetals.com

D14CRBPGCHMA

14" KNOCKED DOWN ROOF CURB
FITS DAIKIN/GOODMAN M CHASSIS
PACKAGE UNIT ALL SIZES, ALL FUELS



	A	B	C	RETURN	SUPPLY
14CRBPGCHMA	46 1/4	39 3/8	14 1/2	12 1/2 X 23	15 X 22 1/2

DIMENSIONS ARE I.D.

FEATURES

- 14" Tall
- 18" and 24" Tall Available
- 18 Gauge Construction
- 1X4 Wood Nailer
- Shipped Knocked Down With All Hardware
- Gasket Included
- Bed Rail Style Corners

NOTE: OUTSIDE DUCT DIMENSION SHOULD BE 1/2"

LESS THAN OPENING DIMENSIONS ABOVE.

INSTALLATION

1. Place assembled curb in proper position over roof opening. Verify curb is square and level per instructions above.
2. Attach curb to roof surface following industry accepted practices.
3. Install insulation, cant strip, roofing materials, flashing and counterflashing in accordance with the established guidelines of the National Roofing Contractors Association. The finished roof, including counterflashing around the curb, must be installed prior to setting the unit on the curb.

VERTICAL DISCHARGE DUCT CONNECTIONS

The down flow curb accessory has been designed to encourage duct installation before unit placement. Duct installation after the unit placement is possible but not recommended. Ducts must never be fastened to the bottom of the unit causing the base pan to be penetrated. Flexible duct connectors in the ducts near the unit are recommended. Support all ducts by securing them to the building structure. Weatherproof all external ductwork, joints and roof openings with flashing and mastic in accordance with applicable codes. Ducts in an unconditioned space must be insulated and covered with a vapor barrier.

PARTS LIST

- 2) 67 7/8 Sides w/ attached 1X4 wood nailer
- 2) 40 1/4 Sides w/ attached 1X4 wood nailer
- 3) Insulated panels
- 1) 40 1/4 Duct support channel
- 1) 34 1/4 Duct support channel w/ drain hole
- 1) 22 1/4 Duct support channel
- 2) Rolls T1070 1/4X1 gasket tape

DOWNFLOW DUCT INSTALLATION INSTRUCTIONS

1. Install duct support system in leveled and squared curb.
2. Fabricate ductwork with 1 1/2" flange out on top opening and with an outside dimension that is 1/4" smaller than inside dimension of duct openings created by duct support system.

NOTE: Ductwork is to be furnished by the contractor and is not included with the accessory.

3. Drop duct section through duct support opening so that the 1 1/2" flange out rests on the support channel.

NOTE: It is not necessary to attach the duct to the duct supports with a mechanical fastener.

4. Install the included gasket material around the perimeter of the duct openings and around the top perimeter of the rest of the curb to insure an air tight seal.

DUCT INSTALLATION AFTER UNIT PLACEMENT

Duct installation after the unit has been placed is possible but is strongly discouraged. If the ductwork must be installed after the unit is placed on the curb, a duct connection frame system should still be used. Apply gasket material to the curb and duct support frame before installing the unit. Attach duct sections to the vertical surfaces of the duct support frame using mechanical fasteners. Ducts must never be fastened to the bottom of the unit causing the base pan to be penetrated.