

ACCESSORY KIT INSTALLATION INSTRUCTIONS

INTERIOR ROOF JACK EXTENSION

APPLICATION

Interior Roof Jack Extensions are for use with Furnace Series listed in Table 1 and the 4000 Series Roof Jack.

WARNING

CAREFULLY FOLLOW THESE INSTRUCTIONS AND ROOF JACK INSTALLATION INSTRUCTIONS TO AVOID FIRE, EXPLOSION OR ASPHYXIATION.

IMPROPER INSTALLATION COULD RESULT IN PILOT OUTAGE, WITH POSSIBLE EXPLOSION HAZARD THAT COULD DAMAGE THE APPLIANCE, CAUSE PERSONAL INJURY AND VOID THE WARRANTY.

CONNECTION BETWEEN THE ROOF JACK AND THE INTERIOR ROOF JACK EXTENSION MUST BE BELOW THE CEILING LINE.

1. Place Interior Roof Jack Extension on top of furnace and engage Vent Connector and Air-Intake Connector. Align screw holes. See Figure 1.
2. Secure Interior Roof Jack Extension to furnace using #10 x 1/2" - 1-1/2" Type AB or Type B sheet metal screw. **DO NOT** use a screw longer than 1-1/2".
3. Pull Roof Jack onto Interior Roof Jack Extension. Align screw holes.
4. Secure Roof Jack to Interior Roof Jack Extension using #10 x 1/2" - 1-1/2" Type AB or Type B sheet metal screw.
5. Place these instructions in the Customer Envelope provided with the furnace.

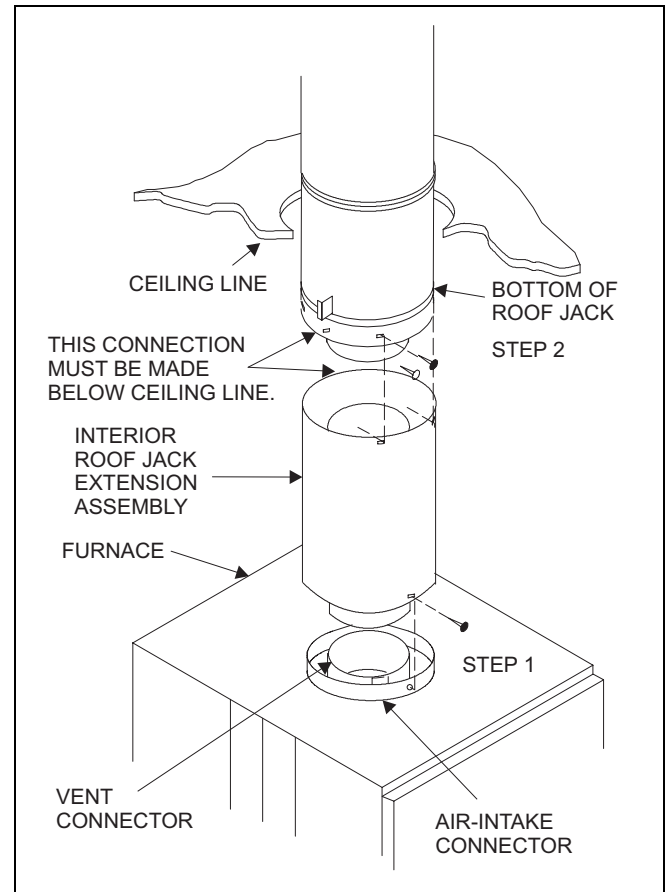


FIGURE 1

Table 1 : INTERIOR EXTENSIONS

FURNACE SERIES	EXTENSION PART NUMBER	EXTENSION HEIGHT	MINIMUM CEILING HEIGHT
DLAS DGAH COAS	7900A6111	11"	6-1/2'
	7900A6171	17"	
DGAA, DGPA DGPH, DGAM DGAT, DGPT COAT, CGAT	7900A6111	11"	7-1/2'
	7900A6171	17"	8'