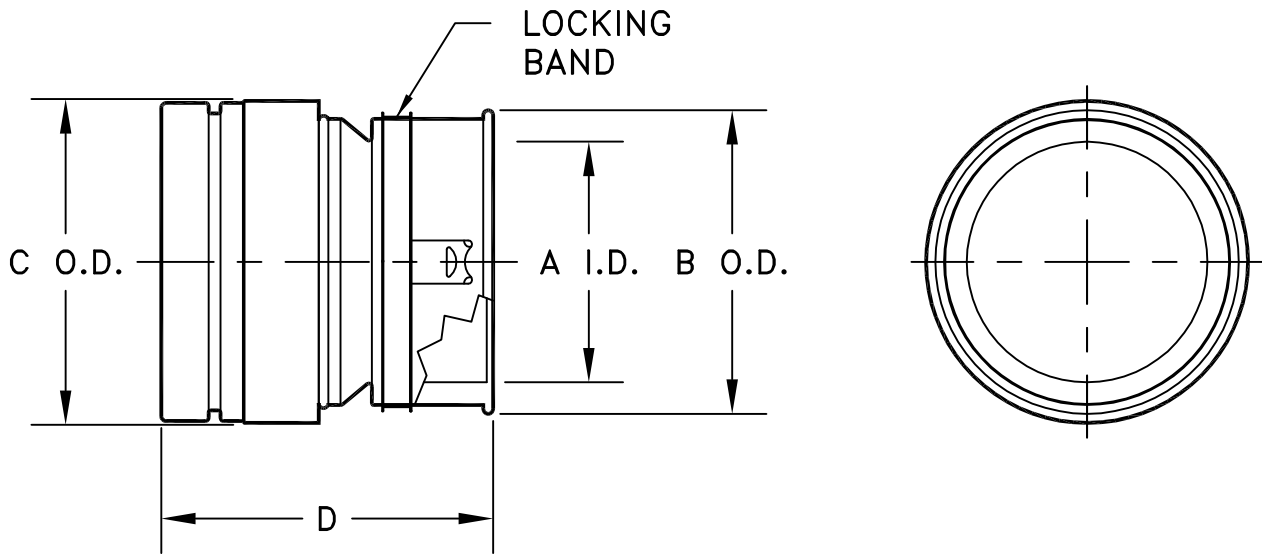


• MATERIAL:

- OUTER — .018 THICK, G-90 GALVANIZED STEEL
- INNER — .012 THICK, ALUMINUM SIZES 3-4 THROUGH 7-8
- .016 THICK, ALUMINUM SIZES 8-10 THROUGH 12-14



CAT. NO.	A I.D.	B O.D.	C O.D.	D
3RN4	3	3-13/16	4-1/2	5-1/8
3RN5	3	3-13/16	5-1/2	5-1/8
3RN6	3	3-13/16	6-1/2	5-1/8
3RN7	3	3-13/16	8	5-1/8
4RN5	4	4-13/16	5-1/2	5-1/8
4RN6	4	4-13/16	6-1/2	5-1/8
4RN7	4	4-13/16	8	5-1/8
5RN6	5	5-13/16	6-1/2	5-1/8
6RN7	6	6-13/16	8	5-1/8
6RN8	6	6-13/16	9	5-1/8
7RN8	7	8-3/8	9	5-3/8
8RN10	8	9-3/8	11	5-3/8
8RN12	8	9-3/8	13	5-3/8
10RN12	10	11-3/8	13	5-3/8



JOB NAME: _____	SUBMITTED BY: _____	DATE: 10/25/06	SD-3108
LOCATION: _____		<b>Type B Gas Vent</b> <b>Increaser</b> <b>RN</b> <b>3"-4" Through 12"-14" Diameter</b>	
ARCHITECT: _____			
ENGINEER: _____			
CONTRACTOR: _____			