

Código : 915177 Motoc "DISCUS" -6DT3F11ME-TSK200--B404----

6DT3A300E-TSK

HFC, R-404A , 50 Hz, 3 - Phase, 200 V

Estado de Producción: Check with your Copeland Representative for availability.

Rendimiento

Evap(°C)/Cond (°C)	/	/
RG(°C)/Liq(°C)	/	/
Capacidad (Watts):		
Potencia (Watts):		
Corriente (Amps):		
EER (COP):		
Flujo de Masa(g/s):		
Potencia del Sonido (dBA):	0 Ave	0 Max
Vibración(mm(peak-peak)):	0 Ave	0 Max

Mecánico

Número de Cilindros:	6	CIR (cm ³ /Rev):	1458.465
Medida de Calibre (mm):	74.6	CFH (meters ³ /hr):	126.882
Recorrida (mm):	55.5		
Lago Total (mm):	747.78	Largo (mm):	381
Ancho Total (mm):	569.98	Ancho (mm):	304.8
Altura Total (mm):	732.54	Altura (mm):	741.43*
Medida de Succión(in):	2 1/8	Sweat	
Medida de Descarga (in):	1 3/8	RL	
Carga Inicial de Aceite (liter):	7.54		
Recarga de Aceite (liter):	7.25		
Peso Neto (kg):	249.48		
HorsePower	17.0		

* Altura total del compresor sobre patas de montaje Copeland originales.

Eléctrico

LRA-Alto*:	470.0	UL File No.:	SA-2337	Corriente Operativa Máx.(Amps):	
LRA-Bajo*:	292.0	UL File Date:	07-Apr-1971	MCC (Amps):	133.8
LRA-Medio Bobinado:		Archivo CSA No.:	LR3104C	RPM:	
RLA(=MCC/1.4; use for contactor selection):	95.6				
RLA (=MCC/1.56; use for breaker & wire size selection):	85.8				

*Baja y Alta, se refieren respectivamente, a los límites inferior y superior del rango de voltaje de trabajo para el cual el motor está aprobado.

Aplicaciones Alternativas

Refrigerante	Frecuencia(Hz)	Fase	Voltaje	Aplicación
R-22 HCFC	50	3	200	
R-502 CFC	50	3	200	Low Temperature
R-507 HFC	50	3	200	
R-22 HCFC	60	3	460	Low Temperature
R-404A HFC	60	3	460	Low Temperature
R-502 CFC	60	3	460	Low Temperature
R-507 HFC	60	3	460	Low Temperature
R-22 HCFC	60	3	208/230	Low Temperature
R-404A HFC	60	3	208/230	Low Temperature
R-502 CFC	60	3	208/230	Low Temperature
R-507 HFC	60	3	208/230	Low Temperature
R-22 HCFC	50	3	380/400	Low Temperature
R-22 HCFC	50	3	380/400	Low Temperature
R-404A HFC	50	3	380/400	Low Temperature
R-404A HFC	50	3	380/400	Low Temperature
R-502 CFC	50	3	380/400	Low Temperature
R-507 HFC	50	3	380/400	Low Temperature
R-507 HFC	50	3	380/400	Low Temperature

6DT3A300E-TSK

HFC, R-404A, 50 Hz, 3 - Fase, 200 V



Estado de Producción: Check with your Copeland Representative for availability.

Componentes Eléctricos

Estator

Resistencia: +-7%

COPELAND 460 V

COND Partido:

Resistencia2 0.444 ACL

ACL:

Protector modular

N° de Parte 071-0581-02

Descripción de Uso: 120/240V

6DT3A300E-TSK

HFC, R-404A, 50 Hz, 3 - Fase, 200 V



Estado de Producción: Check with your Copeland Representative for availability.

Partes de Servicio

<u>Referencia</u>	<u>Componente</u>	<u>Cantidad</u>	<u>Descripción</u>	<u>Comentarios</u>
	998-0700-07	1	OIL CONTROL BRKT KIT	
	998-1314-00	1	DEEP SUMP KIT	
1	020-0600-00	3	GASKET-CYLINDER HEAD	2866119
3	020-1116-03	3	GASKET-VALVE PLATE	
7	020-0636-00	1	GASKET-HOUSING COVER	
8	020-0733-00	1	GASKET-OIL PUMP	
9	020-0755-00	1	GASKET-STATOR COVER	
10	020-0006-47	1	GASKET-CIRCULAR	SUCTION
11	020-0028-03	1	SEAL-VALVE	TEFLON 1.500 O.D. DISCHARGE
12	521-0065-00	1	TERMINAL-PARTS GROUP	
13	020-0638-00	1	GASKET-TERM PLATE	
14	005-0345-00	1	COVER-TERMINAL BOX	
15	062-0209-00	1	BOX-TERMINAL	
16	580-0054-00	1	BOARD-PILOT TERM ASSM	3060254
17	998-0109-01	1	TIME DELAY RELAY 115V	
18	521-0142-00	1	TERMINAL-PLATE GROUP	
19	020-0766-00	1	GASKET-TERMINAL BOX	
20	005-0720-00	1	COVER-STATOR	
21	998-0524-10	1	SOLID STATE MODULE KIT	
22	918-0518-00	1	CRANKCASE HTR KIT 120V	200WINSERTION
22	918-0518-01	1	CRANKCASE HTR 240V	200WINSERTION
23	998-0513-03	1	OIL SCREEN KIT	
24	998-0002-02	1	SIGHT GLASS KIT	
25	998-0008-33	1	OIL PUMP KIT	WITH OIL PUMPBOLTS& GASKETS& ADAPTER RING
26	998-0510-46	1	SERV VALVE KIT 1 3/8 SWT	ROTA LOCKDISCHARGE
27	998-0510-20	1	SERV VALVE KIT 2 1/8 SWT	4 BOLTSUCTION
28	998-5100-12	1	SUCT & DISCH VALVE KIT	WITH VALVESBOLTS& GASKETS
29	510-0142-00	1	VALVE-OIL CHECK ASSM	2852661
30	527-0080-00	1	SPACER-MOUNTING ASSM	
31	998-2669-01	1	GASKET SET 6D DELTA	
34	998-0335-00	1	SERV CHECK VALVE KIT	
35	548-0116-00	1	SHELL-STRAINER ASSM	
36	003-0383-00	1	PLATE-RESTRICTOR	
37	998-0051-00	1	PRES RELIEF VALVE KIT	
44	020-0635-00	1	GASKET-DEEP SUMP	
45	020-0012-09	1	GASKET-SERVICE VALVE	2880908

<u>Referencia</u>	<u>Componente</u>	<u>Cantidad</u>	<u>Descripción</u>	<u>Comentarios</u>
45	020-0012-09	2	GASKET-SERVICE VALVE	2880908 GASKET REQUIRED ON BOTH SIDES OF MUFFLER PLATE
47	998-1126-00	1	OIL COOLER KIT	
51	998-0036-00	1	ROTALOCK ADAPTER KIT	ADAPTER USED TO MOUNT A ROTALOCK DISCHARGE SERVICE VALVE
54	998-2661-26	3	STD VALVE PLATE	
56	998-0109-00	1	TIME DELAY RELAY 230V	
59	074-0814-00	1	BRACKET-FAN	
64	020-0297-13	1	GASKET-SENTRONIC SENSOR	
65	020-0844-04	1	SEAL-SIGHT GLASS	2042028
66	936-0415-00	1	OIL COOLER LINE T FITTG	
67	910-0352-07	1	DEMAND COOL VLV & COIL	COIL VOLTAGE 240V/60HZ
67	910-0352-11	1	DEMAND COOL VLV & COIL	COIL VOLTAGE 120V/50HZ
67	910-0352-09	1	DEMAND COOL VLV & COIL	COIL VOLTAGE 240V/50HZ
68	998-1000-16	1	DEMAND COOL KIT	120V 60 HZ
68	998-1001-16	1	DEMAND COOL 120V/50 HZ	
68	910-0352-06	1	DEMAND COOL VLV & COIL	COIL VOLTAGE 120V/60HZ
69	998-1000-26	1	DEMAND COOLING KIT	240V 60 HZ
69	998-1001-26	1	DEMAND COOL 240V/50 HZ	

Estado de Producción: Check with your Copeland Representative for availability.

Accesorios

Número de Pa	Descripción
006-0200-00	Spring, Internal, between the valve plate, & unloader piston. (Unloader Spring)
023-0039-00	Coil, 24v, Alco (For Unloader Valve)
023-0039-01	Coil, 120v, Alco - Demand cooling valve (Unloader Valve)
023-0039-02	Coil, 240v, Alco - Demand cooling valve (Unloader Valve)
023-0039-03	Coil, 440v, Alco (Unloader Valve)
023-0042-01	Solenoid Coil 120v, 50/60 Hz, Parker - Demand cooling valve
023-0042-02	Solenoid Coil 240v, 50/60 Hz, Parker - Demand cooling valve
024-0200-00	Fan Guard - Top, for Head Cooling Fan
030-0186-00	Heater Sleeve, well style - Order well separately.
083-0118-00	Fan Blade - for Head Cooling Fan
085-0109-00	Temperature Probe-Standard 41" - Demand Cooling
085-0109-01	Temperature Probe-10 ft cable - Demand Cooling
085-0110-00	Control Module 120v 50/60 Hz - Demand Cooling
085-0110-01	Control Module 240v 50/60 Hz - Demand Cooling
085-0160-00	3 Phase Voltage Monitor. For use with all Copeland 3 Phase Compressors. Consult model family nomenclature for electrical definition in the model number.
510-0352-06	Demand Cooling Valve & Coil 120v, 60 Hz, Alco
510-0352-07	Demand Cooling Valve & Coil 240v, 60 Hz, Alco
510-0352-09	Demand Cooling Valve & Coil 240v, 50 Hz, Alco
510-0352-11	Demand Cooling Valve & Coil 120v, 50 Hz, Alco
510-0356-00	Demand Cooling Valve 60 Hz Alco
510-0356-01	Demand Cooling Valve 50 Hz Alco
585-1066-02	Sentronic Oil Pressure Control - Kit includes Sentronic oil pressure control, screws to mount control, oil pressure sensor, and sensor gaskets. Control mounting brackets are supplied on service replacement compressors.
918-0002-00	Crankcase Heater 600v, 100w. Immersion 4 & 6 Flat Bottom.
918-0002-01	Crankcase Heater 480v, 100w. Immersion 4 & 6 Flat Bottom.
918-0002-02	Crankcase Heater 240v, 100w. Immersion 4 & 6 Flat Bottom.
918-0002-03	Crankcase Heater 120v, 100w. Immersion 4 & 6 Flat Bottom.
918-0028-00	Crankcase Heater 120v, 100w insertion. For usage on specific Copeland Copelametic, & Discus Compressors. Use with Heater Well 030-0186-00 and 030-0187-00.
918-0028-01	Crankcase Heater 240v, 100w insertion. For usage on specific Copeland Copelametic, & Discus Compressors. Use with Heater Well 030-0186-00 and 030-0187-00.
918-0518-00	Crankcase Heater 120v, 200w. Insertion 4 & 6 Deep Sump.
918-0518-01	Crankcase Heater 240v, 200w. Insertion 4 & 6 Deep Sump.
918-0518-02	Crankcase Heater 480v, 200w. Insertion 4 & 6 Deep Sump.
998-0119-22	Floating Reed Unloader Kit, converts 4DA1 to 4DE1, & 4DH1 to 4DK1, & 4DJ1 to 4DR1, & 6DH1 to 6DK1 or 6DP1 & 6DL1 to 6DC1 or 6DD1, & 6DT1 to 6DE1 or 6DF1, & 6DJ1 to 6DR1 or 6DS1, 24v
998-0119-23	Floating Reed Unloader Kit, converts 4DA1 to 4DE1, & 4DH1 to 4DK1, & 4DJ1 to 4DR1, & 6DH1 to 6DK1 or 6DP1 & 6DL1 to 6DC1 or 6DD1, & 6DT1 to 6DE1 or 6DF1, & 6DJ1 to 6DR1 or 6DS1, 120v
998-0119-24	Floating Reed Unloader Kit, converts 4DA1 to 4DE1, & 4DH1 to 4DK1, & 4DJ1 to 4DR1, & 6DH1 to 6DK1 or 6DP1 & 6DL1 to 6DC1 or 6DD1, & 6DT1 to 6DE1 or 6DF1, & 6DJ1 to 6DR1 or 6DS1, 240v
998-0119-25	Floating Reed Unloader Kit, converts 4DA1 to 4DE1, & 4DH1 to 4DK1, & 4DJ1 to 4DR1, & 6DH1 to 6DK1 or 6DP1 & 6DL1 to 6DC1 or 6DD1, & 6DT1 to 6DE1 or 6DF1, & 6DJ1 to 6DR1 or 6DS1, 440V
998-0119-27	Floating Reed Unloader Kit with 24v coil converts 4DL1 to 4DP1, & 4DT1 to 4DS1
998-0119-28	Floating Reed Unloader Kit with 120v coil converts 4DL1 to 4DP1, & 4DT1 to 4DS1
998-0119-29	Floating Reed Unloader Kit with 240v coil converts 4DL1 to 4DP1, & 4DT1 to 4DS1

Estado de Producción: Check with your Copeland Representative for availability.

Accesorios

Número de Pa	Descripción
998-0119-30	Floating Reed Unloader Kit with 440v coil converts 4DL1 to 4DP1, & 4DT1 to 4DS1
998-0119-31	Floating Reed Unloader Kit with 24v coil converts 4DA3 to 4DE3, & 4DH3 to 4DK3, & 4DJ3 to 4DR3, & 6DB3 to 6DW3 or 6DY3, & 6DG3 to 6DM3 or 6DN3, & 6DH3 to 6DK3 or 6DP3, & 6DJ3 to 6DR3 or 6DS3
998-0119-32	Floating Reed Unloader Kit with 120v coil converts 4DA3 to 4DE3, & 4DH3 to 4DK3, & 4DJ3 to 4DR3, & 6DB3 to 6DW3 or 6DY3, & 6DG3 to 6DM3 or 6DN3, & 6DH3 to 6DK3 or 6DP3, & 6DJ3 to 6DR3 or 6DS3
998-0119-33	Floating Reed Unloader Kit with 240v coil converts 4DA3 to 4DE3, & 4DH3 to 4DK3, & 4DJ3 to 4DR3, & 6DB3 to 6DW3 or 6DY3, & 6DG3 to 6DM3 or 6DN3, & 6DH3 to 6DK3 or 6DP3, & 6DJ3 to 6DR3 or 6DS3
998-0119-34	Floating Reed Unloader Kit with 440v coil converts 4DA3 to 4DE3, & 4DH3 to 4DK3, & 4DJ3 to 4DR3, & 6DB3 to 6DW3 or 6DY3, & 6DG3 to 6DM3 or 6DN3, & 6DH3 to 6DK3 or 6DP3, & 6DJ3 to 6DR3 or 6DS3
998-0119-35	Floating Reed Unloader Kit with 24v coil converts 4DL3 to 4DP3, & 4DT3 to 4DS3, & 6DL3 to 6DC3 or 6DD3, & 6DT3 to 6DE3 or 6DF3
998-0119-36	Floating Reed Unloader Kit with 120v coil converts 4DL3 to 4DP3, & 4DT3 to 4DS3, & 6DL3 to 6DC3 or 6DD3, & 6DT3 to 6DE3 or 6DF3
998-0119-37	Floating Reed Unloader Kit with 240v coil converts 4DL3 to 4DP3, & 4DT3 to 4DS3, & 6DL3 to 6DC3 or 6DD3, & 6DT3 to 6DE3 or 6DF3
998-0119-38	Floating Reed Unloader Kit with 440v coil converts 4DL3 to 4DP3, & 4DT3 to 4DS3, & 6DL3 to 6DC3 or 6DD3, & 6DT3 to 6DE3 or 6DF3
998-0130-00	Unloader Piston Kit. (Piston is internal and fits into the cylinder head)
998-0161-01	Sentronic Oil Control - Control only, supplied with 44" cable as standard
998-0162-00	Kit includes sensor, gaskets, and cable.
998-0212-01	Unloader valve & gasket kit. Kit includes unloader valve, coil & valve gasket, 020-0783-00, Kit may also contain Alco or Sporlan Valve. 24v
998-0212-02	Unloader valve & gasket kit. Kit includes unloader valve, coil & valve gasket, 020-0783-00, Kit may also contain Alco or Sporlan Valve. 120v
998-0212-03	Unloader valve & gasket kit. Kit includes unloader valve, coil & valve gasket, 020-0783-00, Kit may also contain Alco or Sporlan Valve. 240v
998-0212-04	Unloader valve & gasket kit. Kit includes unloader valve, coil & valve gasket, 020-0783-00, Kit may also contain Alco or Sporlan Valve. 440v
998-0283-02	Standard Sentronic cable is 44" long. The extension cable is 12 ft long and must be wired into the control. Kit 998-0283-02 includes instructions.
998-0550-00	Fan Motor Blade & Guard Assembly 230v, Does not include mounting bracket. Must be ordered separately
998-0550-01	Fan Motor Blade & Guard Assembly 460v, Does not include mounting bracket. Must be ordered separately
998-0550-02	Fan Motor Blade & Guard Assembly 115v, Does not include mounting bracket. Must be ordered separately
998-0550-03	Fan Motor 230v. Includes fan motor mounted to bottom guard
998-0550-04	Fan Motor 460v. Includes fan motor mounted to bottom guard
998-0550-05	Fan Motor 115v. Includes fan motor mounted to bottom guard
998-0574-04	Fan Mounting Kit. Vertical fan mount on top of compressor head - Used On 6D*1 & 6R (except 6DL/T & 6RL/T)
998-0574-05	Fan Mounting Kit. Vertical fan mount on top of compressor head (Used On 6DL1, 6DT1, 6RL1 & 6RT1 Only)
998-0574-13	Fan Mounting Kit. Vertical fan mount on top of compressor head (Used On 6D*3).
998-0700-10	Control Mounting Bracket Kit
998-1000-16	Demand Cooling Kit 120v / 60Hz
998-1000-26	Demand Cooling Kit 240v / 60Hz
998-1001-16	Demand Cooling Kit 120v / 50Hz
998-1001-26	Demand Cooling Kit 240v / 50Hz
998-1123-00	Oil Cooler 6DL1, 6DT1. 6DC1, 6DD1, 6DE1, 6DF1, 6RL1 & 6RT1.
998-1126-00	Oil Cooler 6DL3, 6DT3, 6DC3, 6DD3, 6DE3, 6DF3

Estado de Producción: Check with your Copeland Representative for availability.

Accesorios

<u>Número de Pa</u>	<u>Descripción</u>
998-2119-22	Delta Reed Unloader Kit, converts 4DA1 to 4DE1, & 4DH1 to 4DK1, & 4DJ1 to 4DR1, & 6DH1 to 6DK1 or 6DP1, & 6DL1 to 6DC1 or 6DD1, & 6DT1 to 6DE1 or 6DF1, & 6DJ1 to 6DR1 or 6DS1, 24v
998-2119-23	Delta Reed Unloader Kit, converts 4DA1 to 4DE1, & 4DH1 to 4DK1, & 4DJ1 to 4DR1, & 6DH1 to 6DK1 or 6DP1, & 6DL1 to 6DC1 or 6DD1, & 6DT1 to 6DE1 or 6DF1, & 6DJ1 to 6DR1 or 6DS1, 120v
998-2119-24	Delta Reed Unloader Kit, converts 4DA1 to 4DE1, & 4DH1 to 4DK1, & 4DJ1 to 4DR1, & 6DH1 to 6DK1 or 6DP1, & 6DL1 to 6DC1 or 6DD1, & 6DT1 to 6DE1 or 6DF1, & 6DJ1 to 6DR1 or 6DS1, 240v
998-2119-25	Delta Reed Unloader Kit, converts 4DA1 to 4DE1, & 4DH1 to 4DK1, & 4DJ1 to 4DR1, & 6DH1 to 6DK1 or 6DP1, & 6DL1 to 6DC1 or 6DD1, & 6DT1 to 6DE1 or 6DF1, & 6DJ1 to 6DR1 or 6DS1, 440V
998-2119-27	Delta Reed Unloader Kit with 24v coil converts 4DL1 to 4DP1, & 4DT1 to 4DS1
998-2119-28	Delta Reed Unloader Kit with 120v coil converts 4DL1 to 4DP1, & 4DT1 to 4DS1
998-2119-29	Delta Reed Unloader Kit with 240v coil converts 4DL1 to 4DP1, & 4DT1 to 4DS1
998-2119-30	Delta Reed Unloader Kit with 440v coil converts 4DL1 to 4DP1, & 4DT1 to 4DS1
998-2119-31	Delta Reed Unloader Kit with 24v coil converts 4DA3 to 4DE3, & 4DH3 to 4DK3, & 4DJ3 to 4DR3, & 6DB3 to 6DW3 or 6DY3, & 6DG3 to 6DM3 or 6DN3, & 6DH3 to 6DK3 or 6DP3, & 6DJ3 to 6DR3 or 6DS3
998-2119-32	Delta Reed Unloader Kit with 120v coil converts 4DA3 to 4DE3, & 4DH3 to 4DK3, & 4DJ3 to 4DR3, & 6DB3 to 6DW3 or 6DY3, & 6DG3 to 6DM3 or 6DN3, & 6DH3 to 6DK3 or 6DP3, & 6DJ3 to 6DR3 or 6DS3
998-2119-33	Delta Reed Unloader Kit with 240v coil converts 4DA3 to 4DE3, & 4DH3 to 4DK3, & 4DJ3 to 4DR3, & 6DB3 to 6DW3 or 6DY3, & 6DG3 to 6DM3 or 6DN3, & 6DH3 to 6DK3 or 6DP3, & 6DJ3 to 6DR3 or 6DS3
998-2119-34	Delta Reed Unloader Kit with 440v coil converts 4DA3 to 4DE3, & 4DH3 to 4DK3, & 4DJ3 to 4DR3, & 6DB3 to 6DW3 or 6DY3, & 6DG3 to 6DM3 or 6DN3, & 6DH3 to 6DK3 or 6DP3, & 6DJ3 to 6DR3 or 6DS3
998-2119-35	Delta Reed Unloader Kit with 24v coil converts 4DL3 to 4DP3, & 4DT3 to 4DS3, & 6DL3 to 6DC3 or 6DD3, & 6DT3 to 6DE3 or 6DF3
998-2119-36	Delta Reed Unloader Kit with 120v coil converts 4DL3 to 4DP3, & 4DT3 to 4DS3, & 6DL3 to 6DC3 or 6DD3, & 6DT3 to 6DE3 or 6DF3
998-2119-37	Delta Reed Unloader Kit with 240v coil converts 4DL3 to 4DP3, & 4DT3 to 4DS3, & 6DL3 to 6DC3 or 6DD3, & 6DT3 to 6DE3 or 6DF3
998-2119-38	Delta Reed Unloader Kit with 440v coil converts 4DL3 to 4DP3, & 4DT3 to 4DS3, & 6DL3 to 6DC3 or 6DD3, & 6DT3 to 6DE3 or 6DF3
998-AB52-01	Akylbenzene Oil. Approved for use with specific Copeland Semi Hermetic After Market Compressors. Consult model family nomenclatures for oil identifier in the model number.
998-E022-01	Polyol Ester Oil. Approved for use with specific Copeland Hermetic & Semi Hermetic models. Consult specific model family nomenclatures for oil identifier in the model number.

Boletín Cambio Nomenclatura Discus Cono Sur 

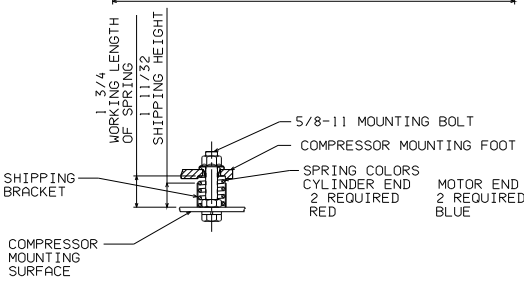
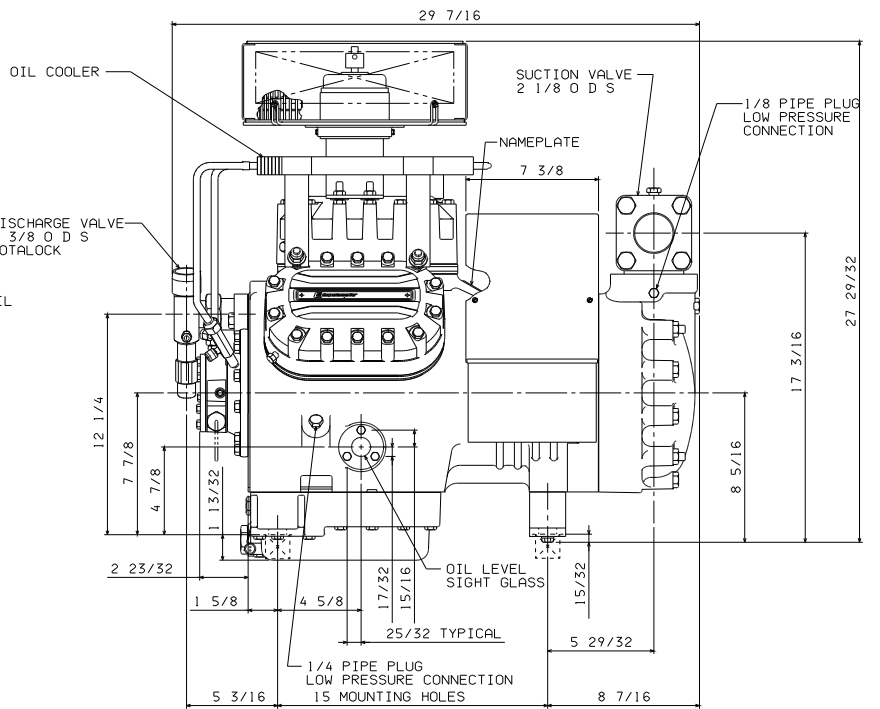
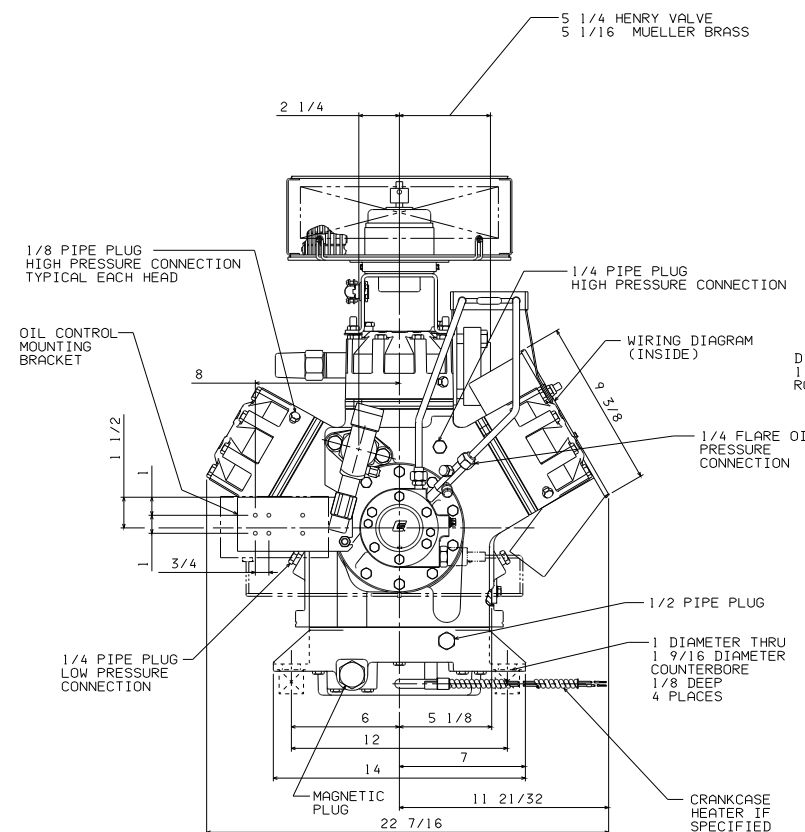
Actualización de Nomenclatura Discus Cono Sur 



MODEL	HP
6DT3	30

SPECIFICATIONS	
ES NO.	DESCRIPTION

NOTES:
 △ ALL TOLERANCES ARE $\pm 3/32$
 EXCEPT INDUSTRY STANDARDS
 APPLY TO FITTINGS AND VALVES.



31-0890-047	1	CAUTION LABEL REMOVED	3-7-91	R26	EG
31-1287-043		RELEASE	10-5-91	CS	
CHANGE NOTICE NO.	REV. NO.	REVISED BY	DATE	BY	CHK'D
	CS	BF	DATE	DO NOT SCALE THIS DRAWING	DATED
	N/A		4-17-89	10-9-89	

Copeland

NOTICE
 THIS DRAWING AND THE INFORMATION CONTAINED HEREIN ARE THE EXCLUSIVE PROPERTY OF COPELAND. IT SHALL BE RETURNED TO COPELAND UPON DEMAND AND SHALL NOT BE REPRODUCED IN WHOLE OR IN PART, EITHER ORALLY OR OTHERWISE, WITHOUT THE WRITTEN CONSENT OF COPELAND.

ALLOWABLE TOLERANCES UNLESS OTHERWISE SPECIFIED ON THIS DRAWING OR BY COPELAND ENGINEERING SPECIFICATION FOR 2-PLACES 1 SURFACE 1 ANGULAR TOLERANCE 1

TITLE
 REF DWG-COPE COMP ASSM

DRAWING NUMBER
 497-0210-00

DWG SIZE
 5