

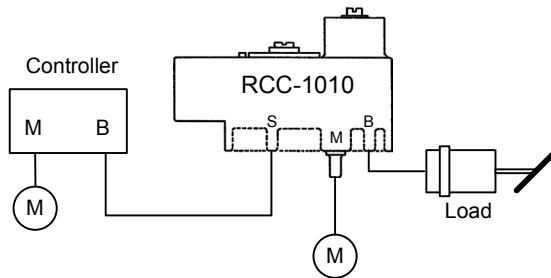
## Application Guide

- RCC-1010..... 1
- RCC-1111..... 1
- RCC-1000/1100 Series ..... 2
- RCC-1500 Series..... 3
- More Information..... 3



### RCC-1010

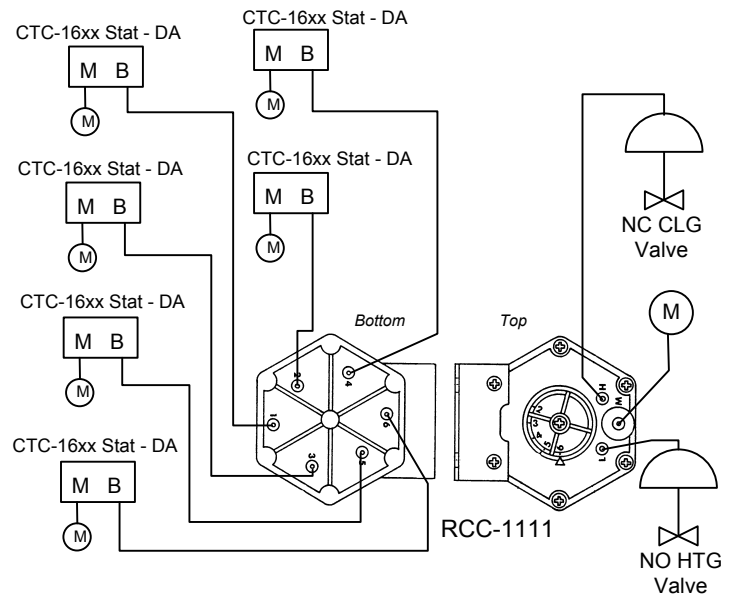
**RCC-1010 Adjustable Ratio Relay**



NOTE: The RCC-1010 includes a bias adjustment feature. For more information, see the RCC-1010 data sheet and installation guide.

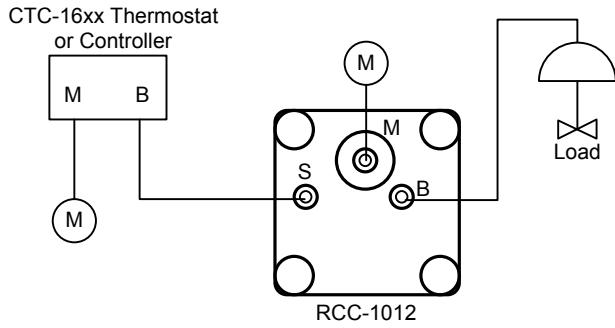
### RCC-1111

**RCC-1111 Multiple Input, High and Low Pressure Selector Relay**

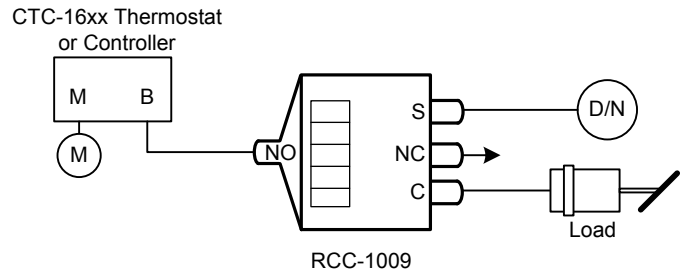


NOTE: For more information, see the RCC-1111 data sheet and installation guide.

## RCC-1001/1101/1012/1112 Reversing Relays

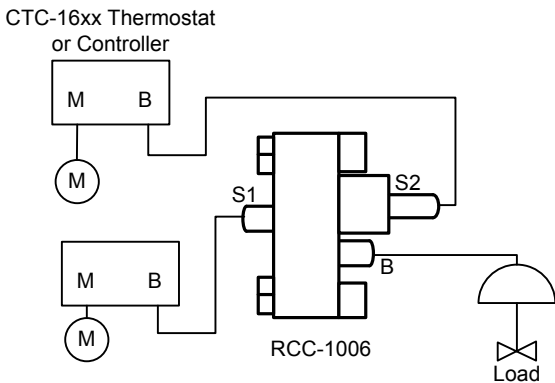


## RCC-1009/1109 Switching/Diverting Relays

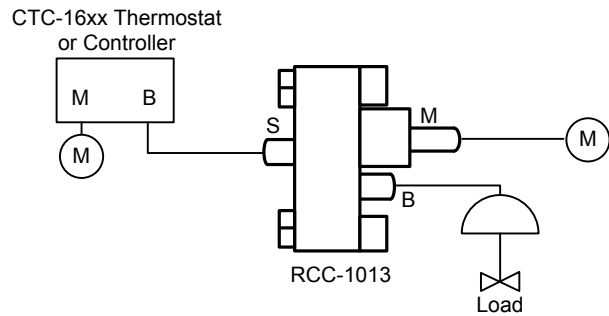


NOTE: The RCC-1001/1012/1101/1112 relays include a bias adjustment. See also the RCC-1501/1502/1503/1504 reversing relays.

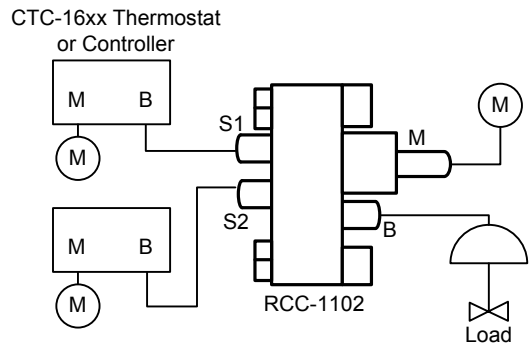
## RCC-1006/1106 Low Pressure Selecting Relays



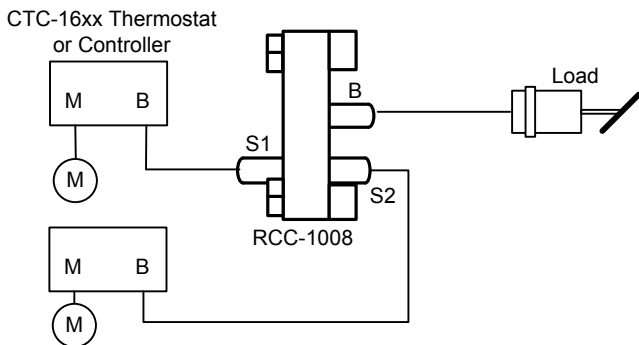
## RCC-1013 Repeating Relay



## RCC-1102 Averaging Relay



## RCC-1008/1108 High Pressure Selecting Relays

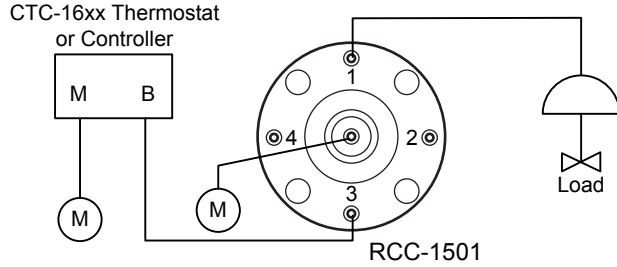


NOTE: See also the RCC-1513/1514 averaging relays.

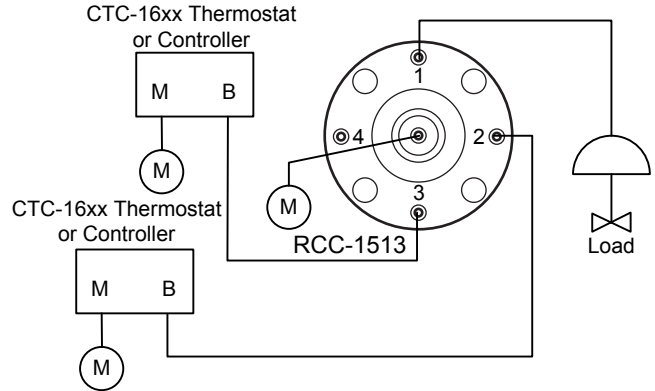
NOTE: For more information about any of these relays, see the RCC-1000/1100 series data sheet and installation guide.

# RCC-1500 Series

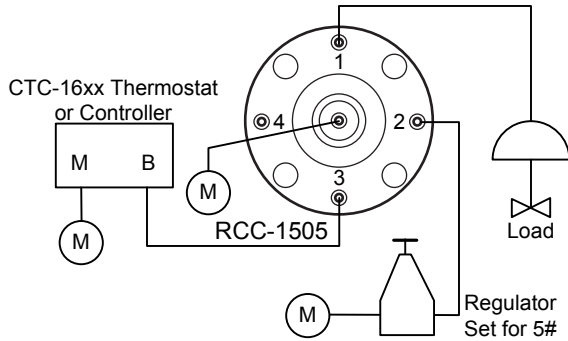
## RCC-1501/1502/1503/1504 Reversing Relays



## RCC-1513/1514 Averaging Relays

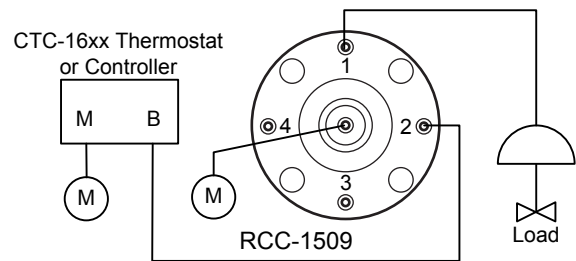


## RCC-1505/1506 Addition Relays



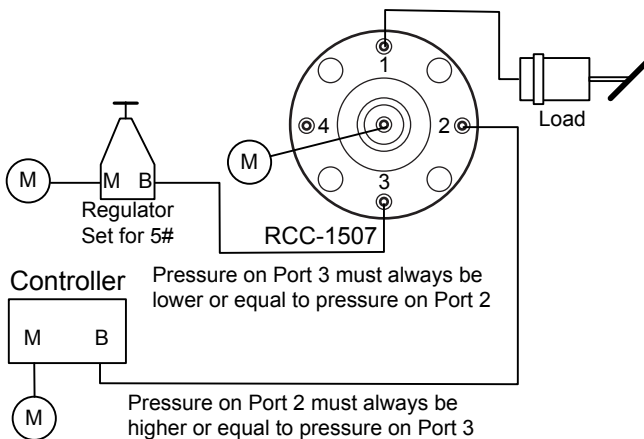
Output will be controller signal plus regulator PSI setting

## RCC-1509/1510/1515/1516 Booster Relays



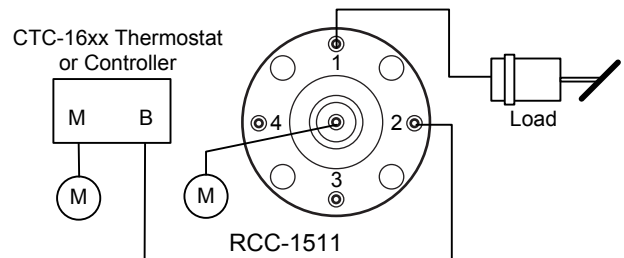
Output same as input but with fresh high volume

## RCC-1507/1508 Subtraction Relays



Output will be controller signal minus regulator PSI setting

## RCC-1511/1512 Two-to-One Ratio Relays



Output changes twice as fast as input changes

NOTE: All the RCC-15xx relays have a bias adjustment feature except for the RCC-1513/1514.

NOTE: For more information about any of these relays, see the respective RCC-15xx series data sheet and installation guide.

## More Information

For more information about these products, see the respective data sheets and installation guides on the KMC Controls web site. See also the application guides for the CSC-2000 series and CSC-3000 series.

**KMC Controls, Inc.**  
19476 Industrial Drive  
New Paris, IN 46553  
574.831.5250

[www.kmcccontrols.com](http://www.kmcccontrols.com); [info@kmcccontrols.com](mailto:info@kmcccontrols.com)