

COMMERCIAL
MODELS: 199 THRU 825

CATALOG NO. 9300.25
Effective: 04-02-14
Replaces: 09-29-11

RAYPAK ILLUSTRATED PARTS LIST

MODEL SIZES: 199, 260, 330, 400, 510, 625, 725, 825

MODEL TYPES: T, Ta, Tb, Tc, Td, Tx, WT, THWS, TIP, TIPR

DATES OF MANUFACTURE: 08-01-81 THRU 09-30-82

MODELS: T, Ta, Tb, Tc, Td, Tx BUILT FOR MODELS 510 THRU 825 ONLY

MODELS: TIP, TIPR, BUILT FOR MODELS 330 THRU 825 ONLY

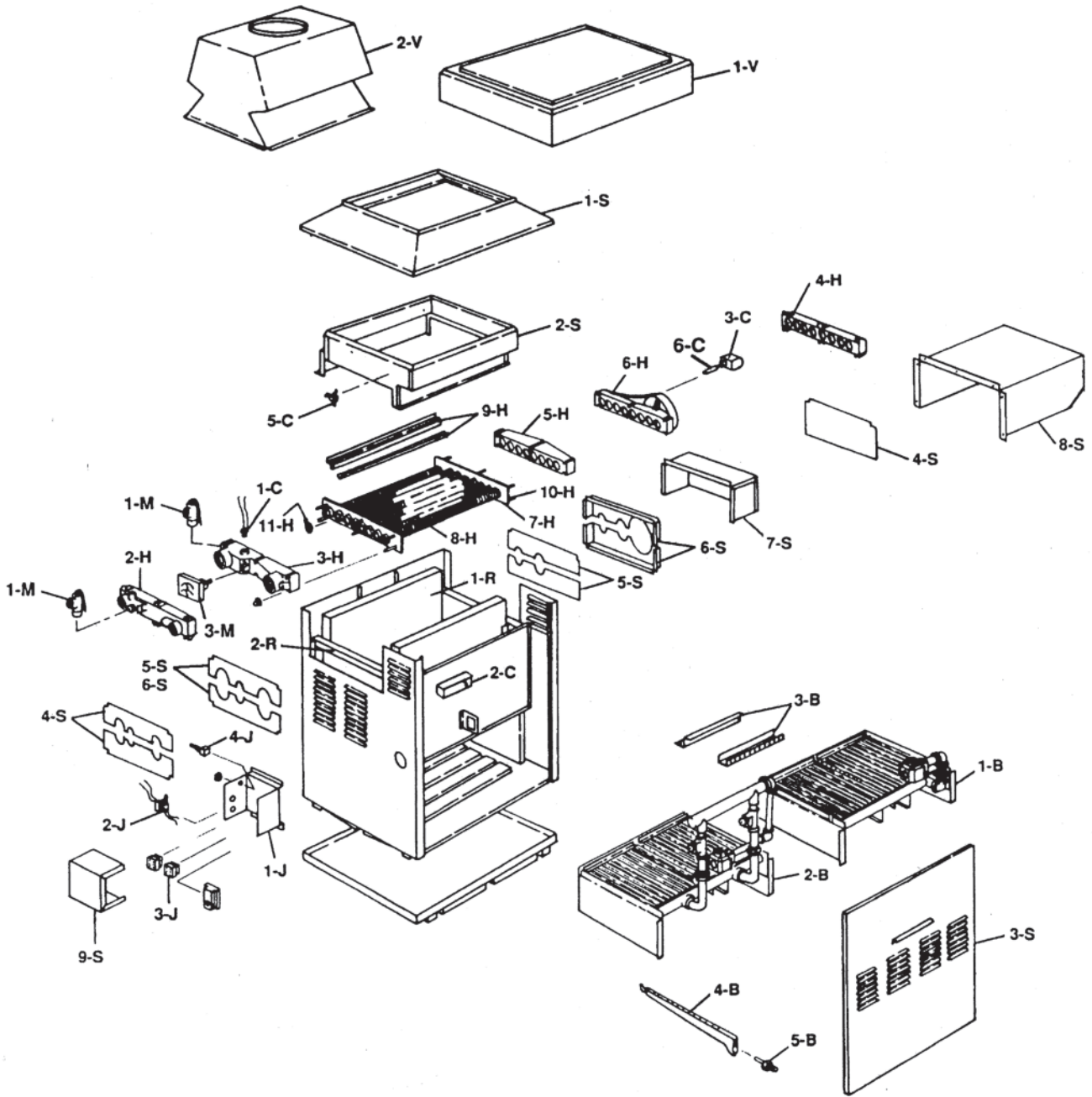
THE PARTS LISTED ARE FOR STANDARD EQUIPMENT FOR THIS MODEL TYPE. RAYPAK RESERVES THE RIGHT TO SUBSTITUTE, DELETE OR CHANGE ANY PART WITHOUT NOTIFICATION. THE ADDITION OF OPTIONS MAY ALSO CHANGE SOME OF THE PARTS. ORDER REPLACEMENT PARTS FROM ACTUAL HEATER COMPONENTS.



FOR DETAILED INSTRUCTIONS, SEE "HOW TO USE YOUR RAYPAK ILLUSTRATED PARTS LIST",
CATALOG NO. 9001.10



Raypak, Inc., 2151 Eastman Avenue, Oxnard, CA 93030
(805) 278-5300 Fax (800) 872-9725
Litho In U.S.A.



HONEYWELL STANDING PILOT

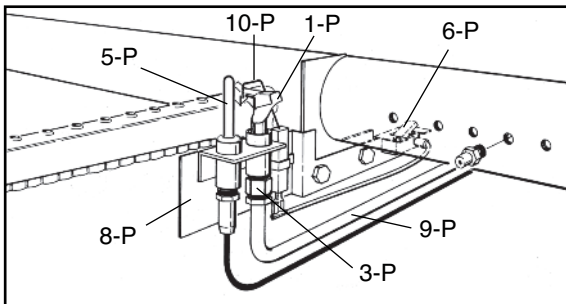


FIG # 9303

HONEYWELL IID PILOT

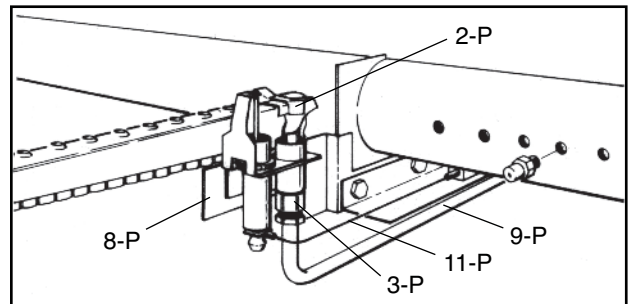


FIG # 9293

CALL OUT	DESCRIPTION	199	260	330	400	510	625	725	825
B	BURNER TRAY								
1-B	Burner Tray w/Burners (Sea Level)*	001849F	001850F	001851F	001852F	001853F	001855F	001857F	001859F
	Burner Tray w/o Burners (Sea Level)*	001861F	001862F	001863F	001864F	001865F	001867F	001869F	001871F
2-B	Burner Tray w/Burners (Sea Level)*					001854F	001856F	001858F	001860F
	Burner Tray w/o Burners (Sea Level)*					001866F	001868F	001870F	001872F
3-B	Burner Spacer/Hold Down Bracket Kit	001873F	001874F	001875F	001876F	001877F	001878F	001879F	001880F
4-B	Burner	301210/12	301210/16	301210/20	301210/24	301210/31	311210/38	301210/44	301210/50
5-B	Burner Orifice Nat. (Sea Level)* #48	350077/12	350077/16	350077/20	350077/24	350077/31	350077/38	350077/44	350077/50
	Burner Orifice Pro. (Sea Level)* #57	350083/12	350083/16	350083/20	350083/24	350083/31	350083/38	350083/44	350083/50
C	CONTROLS								
1-C	Auto Hi Limit Fixed (T, TA)	008554F	008554F	008554F	008554F	008554F	008554F	008554F	008554F
2-C	Manual Hi Limit (THWS, TIP)	007144F	007144F	007144F	007144F	007144F	007144F	007144F	007144F
	Auto Reset Dual Stat (TC, WT)	004092F	004092F	004092F	004092F	004092F	004092F	004092F	004092F
	Manual Reset Dual Stat (TX)					004092F	004092F	004092F	004092F
	Adj Auto Hi Limit (TB, TD, TIPR)	007141F	007141F	007141F	007141F	007141F	007141F	007141F	007141F
	Controller Modulating (TA)					N/A	N/A	N/A	N/A
	Controller 2 Stage (TB)	007392F	007392F	007392F	007392F	007392F	007392F	007392F	007392F
	Controller B3 (TX)					001893F	001893F	001893F	001893F
	Controller B5 (TX)					N/A	N/A	N/A	N/A
3-C	Flow Switch (TD, TIP, TIPR)	007142F	007142F	007142F	007142F	007142F	007142F	007142F	007142F
4-C	Low Water Cutoff (Not Shown)	006202F	006202F	006202F	006202F	006202F	006202F	006202F	006202F
5-C	Thermostat Economaster	003609F	003609F	003609F	003609F	003609F	003609F	003609F	003609F
6-C	Flow Switch Paddle	004079F	004079F	004079F	004079F	004079F	004079F	004079F	004079F
G	GAS VALVES				(SEE GAS VALVE REPLACEMENT CHART)				
H	HEAT EXCHANGER								
1-H	Heat Exchange Assy. Brass 1 1/4"	002822F	002823F	002824F					
	Heat Exchange Assy. Cast Iron 2"			N/A	N/A	N/A	N/A	N/A	N/A
	Heat Exchange Assy. Brass 2"			003118F	003112F	003113F	003114F	003115F	003116F
	Heat Exch. Assy. Cast Iron w/Pump Header			N/A	N/A	N/A	N/A	N/A	N/A
	Heat Exch. Assy. Brass w/Pump Header			003124F	003125F	003126F	003127F	003128F	003129F
	Heat Exch. Assy Cast Iron w/Pump Header Tip			N/A	N/A	N/A	N/A	N/A	N/A
	Heat Exch. Assy. Brass w/Pump Header Tip			003136F	003137F	003138F	003139F	003140F	003141F
	Heat Exch. Assy. Cast Iron Cupro Tip			N/A	N/A	N/A	N/A	N/A	N/A
	Heat Exch. Assy. Brass Cupro Tip			003148F	003149F	003150F	003151F	003152F	003153F
2-H	Inlet/Outlet Header Brass 1 1/4"	N/A	N/A	N/A					
3-H	Inlet/Outlet Header Cast Iron 2"			N/A	N/A	N/A	N/A	N/A	N/A
	Inlet/Outlet Header Brass 2"			002913F	002913F	002913F	002913F	002913F	002913F
	Inlet/Outlet Header Cast Iron Tip			N/A	N/A	N/A	N/A	N/A	N/A
	Inlet/Outlet Header Brass Tip			002916F	002916F	002916F	002916F	002916F	002916F
4-H	Return Header Brass 1 1/4"	003160F	003160F	003160F					
5-H	Return Header Cast Iron 2"			N/A	N/A	N/A	N/A	N/A	N/A
	Return Header Brass 2"			002922F	002922F	002922F	002922F	002922F	002922F
6-H	Return Header Cast Iron Pump			N/A	N/A	N/A	N/A	N/A	N/A
	Return Header Brass Pump			002924F	002924F	002924F	002924F	002924F	002924F
7-H	Tube Bundle 1 1/4"	002678F	002679F	002680F					
	Tube Bundle 2"			002641F	002642F	002643F	002644F	002645F	002646F
	Tube Bundle 2" Cupro Tip			003044F	003045F	003046F	003047F	003048F	003049F
8-H	Heat Exchange Tube	003082F	003084F	003085F	003087F	003088F	003090F	003091F	003092F
	Heat Exchange Tube Cupro Tip			002783F	002784F	002785F	002786F	002787F	002788F
9-H	Baffle Kit	N/A	N/A	N/A	N/A	N/A	N/A	N/A	N/A
10-H	Stud Bolt Kit	001051F	001051F	001051F	001051F	001051F	001051F	001051F	001051F
11-H	Header Gasket	800001B	800001B	800001B	800001B	800001B	800001B	800001B	800001B
12-H	Sensor Well	007211F	007211F	007211F	007211F	007211F	007211F	007211F	007211F
13-H	Well Retaining Clip	300203	300203	300203	300203	300203	300203	300203	300203

*FOR ALTITUDES ABOVE 2,000 FEET ABOVE SEA LEVEL, CONSULT THE FACTORY.

CALL OUT	DESCRIPTION	199	260	330	400	510	625	725	825
J	J BOX								
1-J	J Box Nat./Pro. Std.	002682F	002682F	002682F	002682F				
	J Box Nat. IID	002684F	002684F	002684F	002684F	002684F	002684F	002684F	002684F
	J Box Pro. IID, Lockout	002686F	002686F	002686F	002686F	002686F	002686F	002686F	002686F
	J Box Nat. IID (TA, TX) (Not Shown)					002409F	002409F	002409F	002409F
	J Box Pro. IID (TA, TX) (Not Shown)					002410F	002410F	002410F	002410F
	J Box C2 (Not Shown)	002411F	002411F	002411F	002411F	002411F	002411F	002411F	002411F
	J Box IRI (Not Shown)					N/A	N/A	N/A	N/A
2-J	Transformer 40VA	006533F	006533F	006533F	006533F	006533F	006533F	006533F	006533F
	Spark Generator C2 & IRI (Not Shown)	007361F	007361F	007361F	007361F	007361F	007361F	007361F	007361F
3-J	Relay SPST	007377F	007377F	007377F	007377F	007377F	007377F	007377F	007377F
	Relay SPDT C2 (Not Shown)	650117	650117	650117	650117	650117	650117	650117	650117
	Relay DPDT IRI (Not Shown)	600158	600158	600158	600158				
4-J	Toggle Switch	008079F	008079F	008079F	008079F	008079F	008079F	008079F	008079F
M	MISCELLANEOUS COMPONENTS								
1-M	PRV 30 PSI (TA, TD)	007217F	007217F	007217F	007217F	007217F	007217F	007217F	007217F
	PRV 60 PSI (T, TB, TX, TC)	007222F	007222F	007222F	007222F	007222F	007222F	007222F	007222F
	PRV 125 PSI (WT, THWS, TIP, TIPR)	008091F	007224F	007224F	007224F	007224F	007224F	007224F	007224F
2-M	Delimiting Kit	062869F	062869F	062869F	062869F	062869F	062869F	062869F	062869F
3-M	T & P Gauge (T, TA, TB, TD, TX)	007205F	007205F	007205F	007205F	007205F	007205F	007205F	007205F
	T & P Gauge (WT, THWS, TIP, TIPR)	007399F	007399F	007399F	007399F	007399F	007399F	007399F	007399F
4-M	Integral Pump Raytherm	004844F	004844F	004844F	004844F	004844F	004844F	004844F	004844F
	Integral Pump Hurricane	004844F	004844F	004844F	004844F	004844F	004844F	004844F	004844F
P	PILOT								
1-P	Pilot Nat Standing	002412F	002412F	002412F	002412F				
	Pilot Pro Standing	002413F	002413F	002413F	002413F				
2-P	Pilot Nat IID	002234F	002234F	002234F	002234F	002234F	002234F	002234F	002234F
	Pilot Pro IID	002235F	002235F	002235F	002235F	002235F	002235F	002235F	002235F
	Pilot Nat C2 & IRI	002236F	002236F	002236F	002236F	002236F	002236F	002236F	002236F
3-P	Pilot Orifice Nat Standing	600552	600552	600552	600552				
	Pilot Orifice Pro Standing	600148	600148	600148	600148				
4-P	Pilot Orifice Nat IID	600552	600552	600552	600552	600552	600552	600552	600552
	Pilot Orifice Pro IID	600894	600894	600894	600894	600894	600894	600894	600894
	Pilot Orifice Nat C2	600552	600552	600552	600552	600552	600552	600552	600552
5-P	Thermocouple (Standing Pilot)	600003	600003	600003	600003				
6-P	Igniter Standing (Piezo)	N/A	N/A	N/A	N/A	N/A	N/A	N/A	N/A
7-P	Ignition Control IID Nat	N/A	N/A	N/A	N/A	N/A	N/A	N/A	N/A
	Ignition Control IID Pro/Lockout	N/A	N/A	N/A	N/A	N/A	N/A	N/A	N/A
	Ignition Control (C2 & IRI) Complete	008702F	008702F	008702F	008702F	008702F	008702F	008702F	008702F
8-P	Pilot Mounting Bracket Std	303612	303612	303612	303612				
	Pilot Mounting Bracket IID & C2	304666	304666	304666	304666	304666	304666	304666	304666
9-P	Pilot Tube (Specify Length)	400013	400013	400013	400013	400013	400013	400013	400013
10-P	Igniter Wire Std.	600502	600502	600502	600502				
11-P	Igniter Wire IID	650554	650554	650554	650554	650554	650554	650554	650554
12-P	Hi Tension Wire	002663B	002663B	002663B	002663B	002663B	002663B	002663B	002663B
13-P	Amplifier Flame Rectification	008092F	008092F	008092F	008092F	008092F	008092F	008092F	008092F
R	REFRACTORY								
1-R	Refractory Kit	001310F	001311F	001312F	001313F	001314F	001315F	001316F	001317F
2-R	Refractory Retainer Kit	001627F	001627F	001627F	001627F	001627F	001627F	001627F	001627F
S	SHEET METAL								
1-S	Jacket Top	N/A	N/A	002417F	002418F	002419F	002420F	002421F	002422F
2-S	Flue Collector	N/A	N/A	002423F	002424F	002425F	002426F	002427F	002428F
3-S	Door Assy.	N/A	N/A	N/A	N/A	N/A	N/A	001838F	001839F
4-S	Access Panel 1 1/4" Header	001842F	001842F	001842F					
5-S	Access Panel 2" Header				001843F	001843F	001843F	001843F	001843F
6-S	Access Panel 2" Header				001844F	001844F	001844F	001844F	001844F
7-S	Control Cover				002672F	002672F	002672F	002672F	002672F
8-S	Pump Cover				002671F	002671F	002671F	002671F	002671F
9-S	J-Box Sheetmetal	N/A	N/A	N/A	N/A	N/A	N/A	N/A	N/A
V	VENTING								
1-V	Stackless Top Kit (Outdoor)	N/A	N/A	001101F	001102F	001103	001104	001105	001106
2-V	Draft Hood (Indoor) *	N/A	N/A	* 001455	* 001456	* 001457	* 001458	* 001459	* 001460

* Drafthood replacement is taller than the original drafthood by 6-1/4", and will require modification to the vent piping to install.

CALL OUT	GAS VALVES	PART NO.	WT					THWS					TIP					TIPR													
			199	260	330	400	510	625	725	825	199	260	330	400	510	625	725	825	330	400	510	625	725	825	330	400	510	625	725	825	
G	GAS VALVES																														
	Manual "B" Valve	1/8"						1	1	1	1			1	1	1	1			1	1	1	1				1	1	1	1	
	Manual "A" Valve	1"																											1	1	1
*	Lube/Cock Valve	1"																											1	1	1
*	Lube/Cock Valve	1 1/4"																											2	2	2
	Pressure Regulator Nat.	1/8"						1	1	1	1			1	1	1	1			1	1	1	1				1	1	1	1	
	Pressure Regulator Pro.	1/8"						1	1	1	1			1	1	1	1			1	1	1	1				1	1	1	1	
	Pressure Regulator Nat.	1"						1	1	1	1			1	1	1	1			1	1	1	1				1	1	1	1	
	Pressure Regulator Pro.	1"						1	1	1	1			1	1	1	1			1	1	1	1				1	1	1	1	
*	Pressure Regulator Nat.	1 1/4"																												1	1
*	Pressure Regulator Pro.	1 1/4"																												1	1
*	Pilot Gas Valve	1/8"						1	1	1	1			1	1	1	1			1	1	1	1				1	1	1	1	
	Pilot Gas Valve	1/8"																											1	1	1
	On/Off Valve	3/4"																												1	1
	Auto On/Off Valve	1"			1	1		1	1																					1	1
	Auto On/Off Valve	1 1/4"																												1	1
	Mod. Valve 85-120°F	1/2"											1																		
	Mod. Valve 85-120°F	3/4"												1	1	1															
	Mod. Valve 85-120°F	1"													1	2	2	2	2												
	Mod. Valve 120-240°F	1/2"																													
	Mod. Valve 120-240°F	3/4"																													
	Mod. Valve 120-240°F	1"																													
	Mod. Valve 110-170°F	3/4"																		1											
	Mod. Valve 110-170°F	1"																			1										
	Mod. Valve 150-210°F	3/4"																			1										
	Mod. Valve 150-210°F	1"																													
	Mod. Valve 140°Max	1/2"																													
	Mod. Valve 140°Max	3/4"																													
	Mod. Valve 140°Max	1"																													
	Comb. Gas Valve Nat	1/2"											1																		
	Comb. Gas Valve (IID) Nat	3/4"											1	1	1																
	Comb. Gas Valve Pro	1/2"											1																		
	Comb. Gas Valve (IID) Pro	3/4"											1	1	1																
	Comb. Gas Valve Nat	1"																													
	Comb. Gas Valve Pro	1"																													
	Comb. Step-Open Valve Nat	3/4"																													
	Comb. Step-Open Valve Nat	3/4"																													
	Comb. Step-Open Valve Pro	3/4"																													
	Comb. Step-Open Valve Pro	3/4"																													
	Comb. Step-Open Valve Nat	1"																													
	Comb. Step-Open Valve Pro	1"																													
	Comb. Gas Valve IID Nat	1"																													
	Comb. Gas Valve IID Pro	1"																													
	Comb. 2-Stage Valve Nat STG	3/4"																													
	Comb. 2-Stage Valve Nat IID	1"																													
	Comb. 2-Stage Valve Pro STG	3/4"																													
	Comb. 2-Stage Valve Pro IID	1"																													
	Comb. 2-Stage Valve Nat STG	3/4"																													
	Comb. 2-Stage Valve Nat IID	1"																													
	Comb. 2-Stage Valve Pro STG	3/4"																													
	Comb. 2-Stage Valve Pro IID	1"																													
	Comb. 2-Stage Valve Nat STG	1"																													
	Comb. 2-Stage Valve Pro STG	1"																													
*	Actuator, 2-stage	1"																													
*	Actuator, Modulation																														
*	Actuator, Modulation w/B3																														
*	Actuator On/Off																														
*	Gas Vent Valve	3/4"																													
*	Gas Valve Body	1"																													
*	Gas Valve Body	1 1/4"																													
*	Gas Valve Body	1"																													
*	Gas Pressure Switch Low																														
*	Gas Pressure Switch High																														

*REQUIRED FOR IRI MODELS

#CONSULT FACTORY. VALVE NOT AVAILABLE



Registered Quality Management System

www.raypak.com