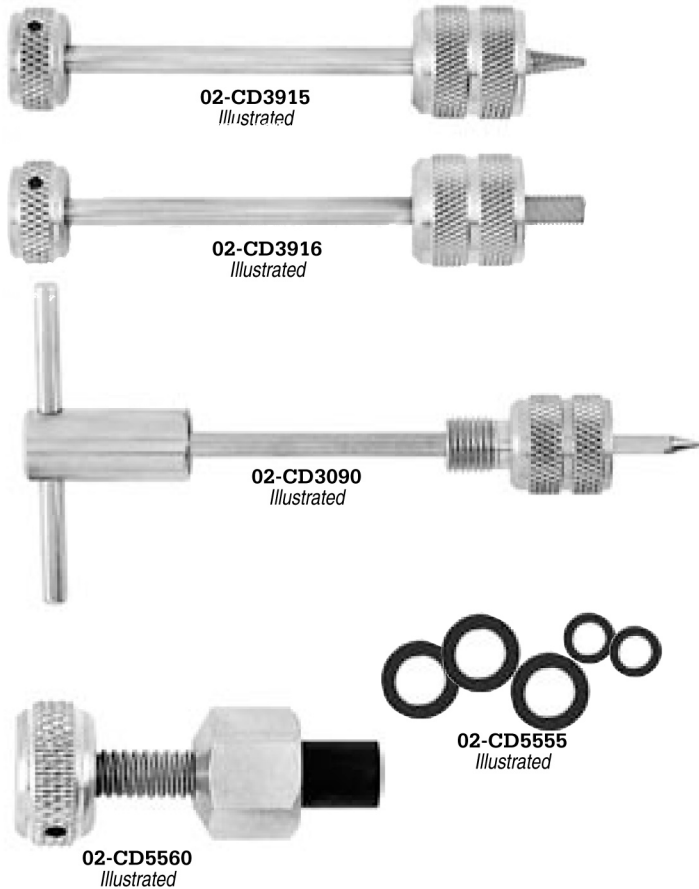


Core Removal Tool - Accessories

Core Removal Accessories

All accessory tools are compatible with the 02-CD3900, 02-CD3910, 02-CD3920 & 02-CD3930.



CRT Broken Core Extractor

Part #	Description
02-CD3915	A pick to extract a broken core from a housing without loss of refrigerant. Left handed threads.

CRT Thread Chaser

Part #	Description
02-CD3916	A thread chaser to clean and align the internal threads of an access fitting.

CRT Core Extractor / Chaser Kit

Part #	Description
02-CD3917	02-CD3915 & 02-CD3916 Kit.

Tube Piercing Attachment

Part #	Description
02-CD3090	Punches a hole in copper tubing through a V-Series fitting

All accessory tools are compatible with the 02-CD3900, 02-CD3910, 02-CD3920 & 02-CD3930.

Replacement CRT Parts

Part #	Description
02-CD5555	All the O-rings necessary to repair any CRT, except the ones in the chuck that grab the core stem.
02-CD5560	The shut-off stem with molded neoprene shut-off gland for the 02-CD3900 & 02-CD3910. Brass stem knob, retaining nut & gland, all in one piece.

Core Remover & Evacuation Tools



Core Removal & Evacuation Tools

Specifically designed to valve off systems to remove valve core. Speed evacuation, recovery or recharging time through full flow port. Valve core can be completely removed and replaced without losing system charge.

- Quarter-turn ball valve shut-off.
- O-ring seals.
- Storage area for spare valve cores.



Core Remover & Evacuation Tools

Part #	Description
02-C32500	1/4" Valve core remover.
02-C32525	1/4" Valve core remover with access port.

Replacement Parts

Part #	Description
02-C32501	Replacement bit for 02-A32500.
02-C32504	Replacement bit for 02-A32525.