



GE Potential Relays

MARS SERIES **190**

COMPONENT

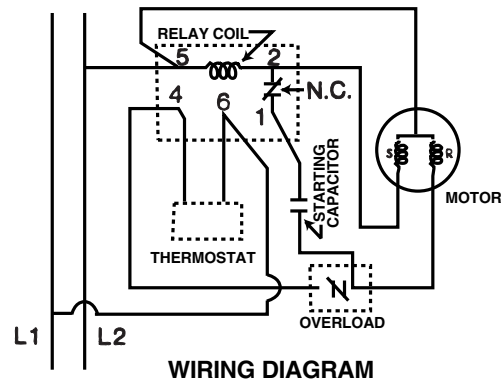
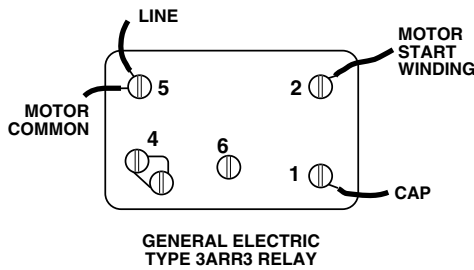


Universal Replacement

The MARS potential relay service kit has become an industry standard since its introduction twenty years ago. Its long-term reliability and easy replacement have been the key to its success. The wide calibration ranges and the universal bracket make the MARS potential relay service kit a must on every service truck.

Features:

- Genuine MARS relays replace thousands of O.E.M. models
- *Non-Positional*
- Wide range of selectivity
- QC-6 Kit included with each relay to convert screw-on to push-on
- Instructions and wiring diagram included in each relay
- Universal break-off bracket on each relay. Simply snap-off parts not needed
- The six most popular relays available in a service kit—19001 MARS 6 PAK—complete cross reference guide included in each kit
- UL and CSA listings available



Calibration Specifications

MARS NO.	MARS MODEL NO.	CONTINUOUS COIL VOLTAGE	PICK-UP		DROP-OUT MAX
			MIN.	MAX	
19001	MARS 6 PAK	—	—	—	—
19002	MARS 63	170	139	153	55
19003	MARS 64	395	260	275	120
19004	MARS 65	332	168	182	90
19005	MARS 66	395	215	225	120
19006	MARS 67	420	295	315	125
19007	MARS 68	502	325	345	135
19008*	MARS 69	336	180	195	105
19009*	MARS 70	253	285	305	77
19010*	MARS 71	420	212	232	121
93001	QC-6				

*Not included in 19001 MARS 6- PAK

